
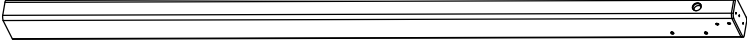


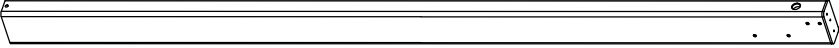
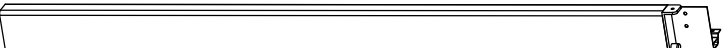








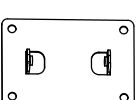


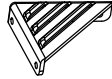

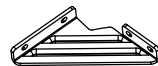


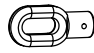
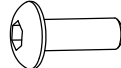
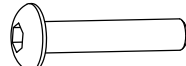
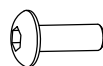
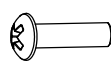

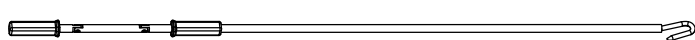






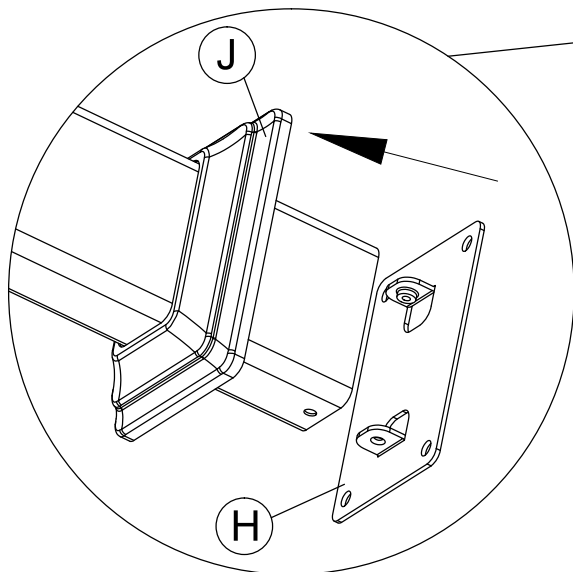
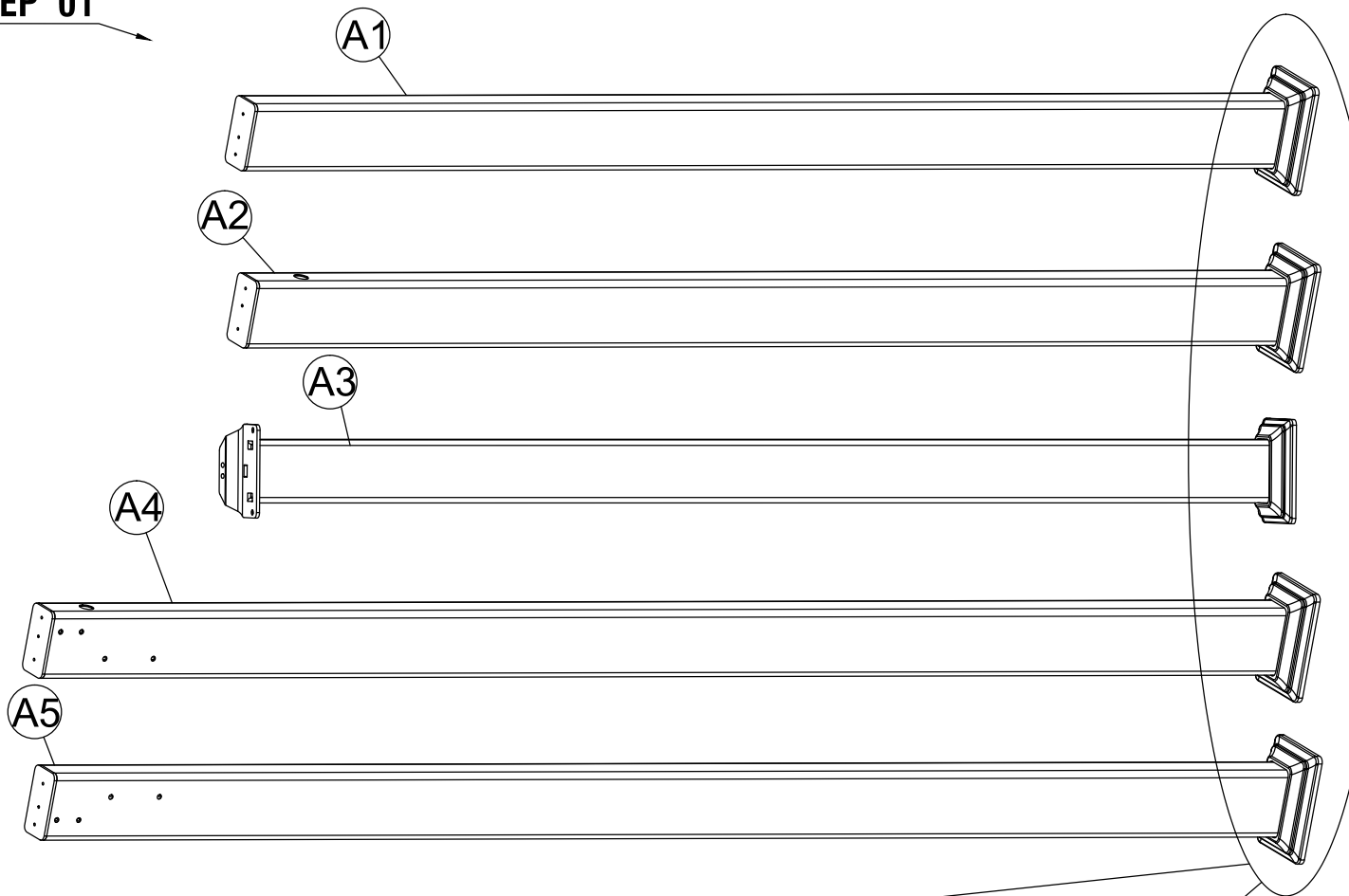
Palma Pavillon 3x4M



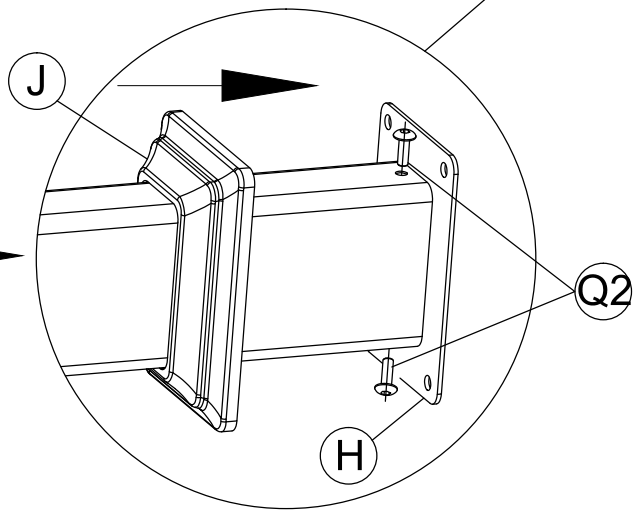
REF	PCE	PIECE	QTY	DIM
	A1		0	1
	A2		0	1
	A3		0	1
	A4		0	1
	A5		0	1
	B1		0	1
	B2		0	1
	C1		0	1
	C2		0	1
	D		0	1
	E1		0	1
	E2		0	1
	F		0	64
	G		0	2
	H		0	5

REF	PCE	PIECE		QTY	DIM
	J			5	
	K			1	
	L			2	
	M1			1	
	M2			1	
	N1			1	
	N2			1	
	P			2	
	Q		M8*20	44+2	
	Q1		M8*25	12+1	
	Q2		M6*20	21+2	
	Q3		M4*18	2	
	Q4			20	
	R			2	
	S1			1	
	S2			1	
	S3			2	
	U		GLASS GLUE CAN BUY FROM THE SUPERMARKET	1	

STEP 01



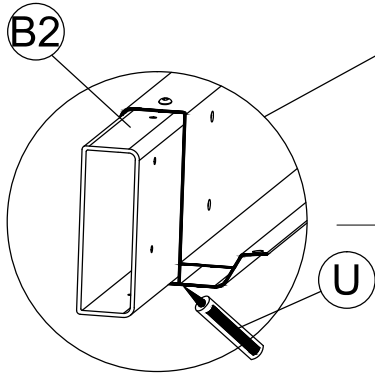
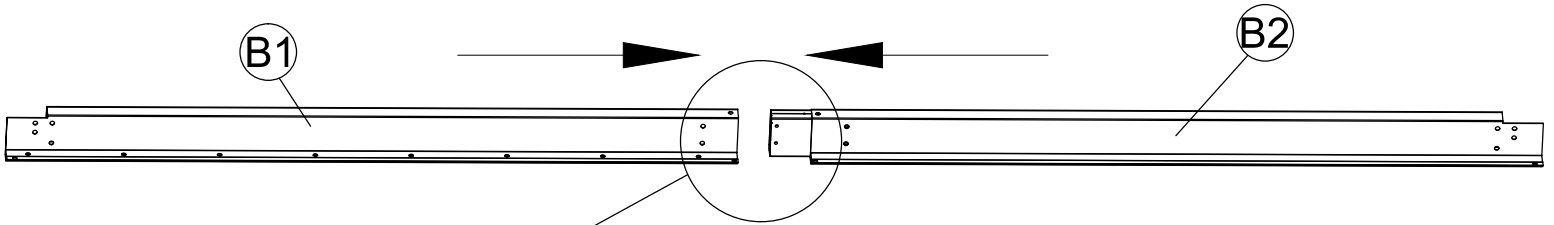
step1



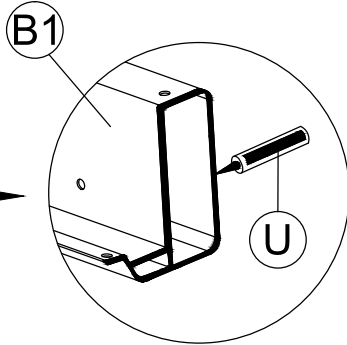
step2

	<input type="checkbox"/> A1 (X1)		H (X5)
	<input type="checkbox"/> A2 (X1)		J (X5)
	<input type="checkbox"/> A3 (X1)		M6*20 Q2 (X10)
	<input type="checkbox"/> A4 (X1)		
	<input type="checkbox"/> A5 (X1)		

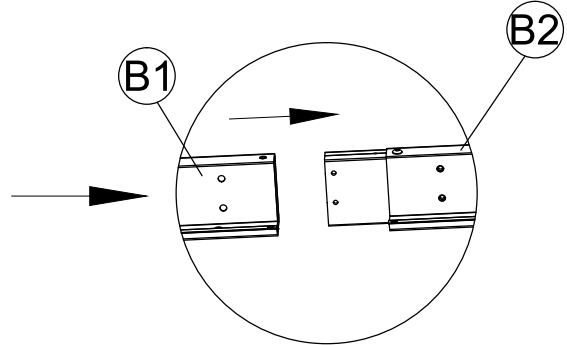
STEP 02



step1

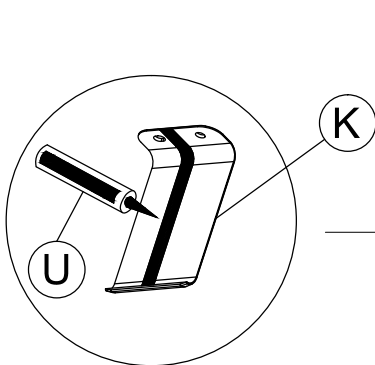
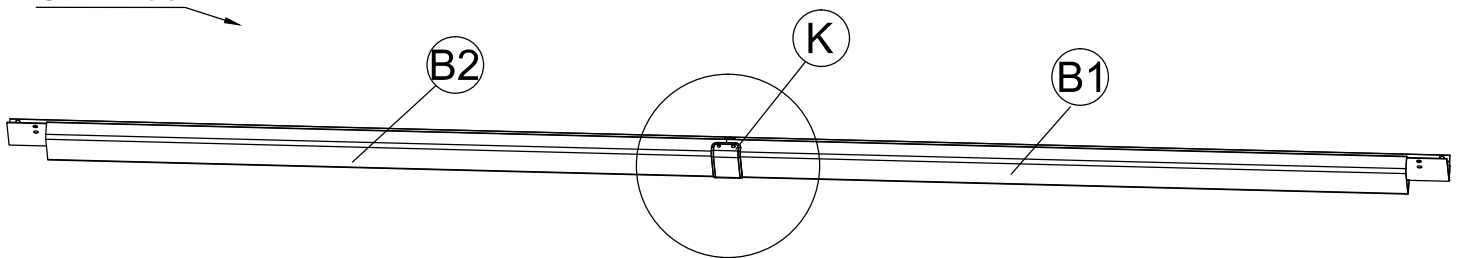


step2

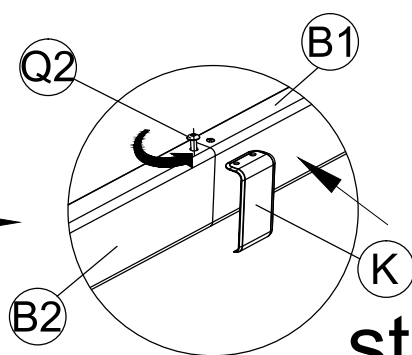


step3

STEP 03

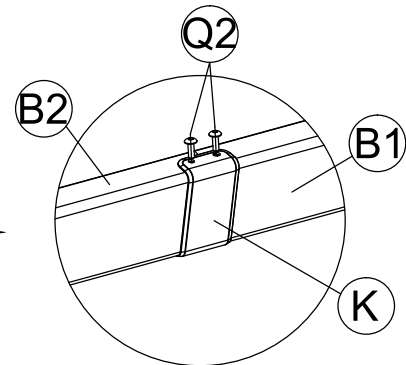


step1

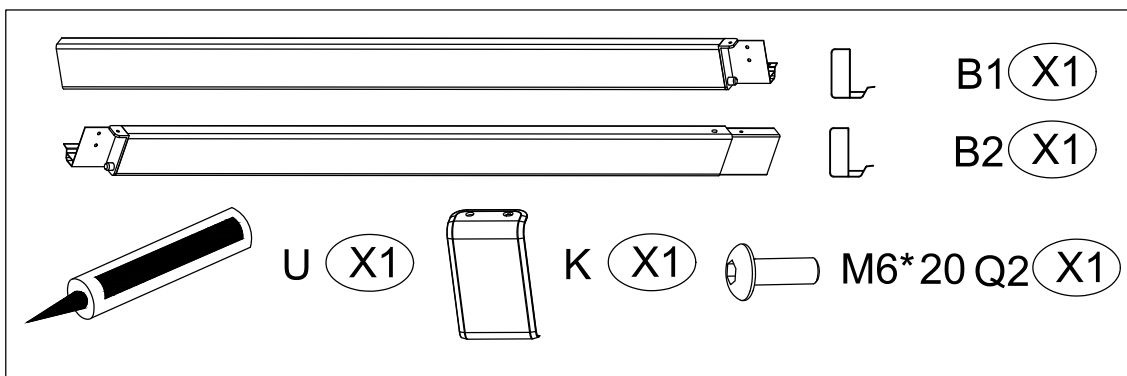


step2

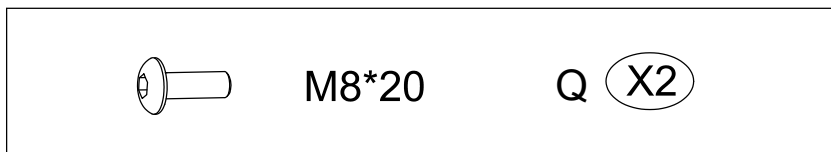
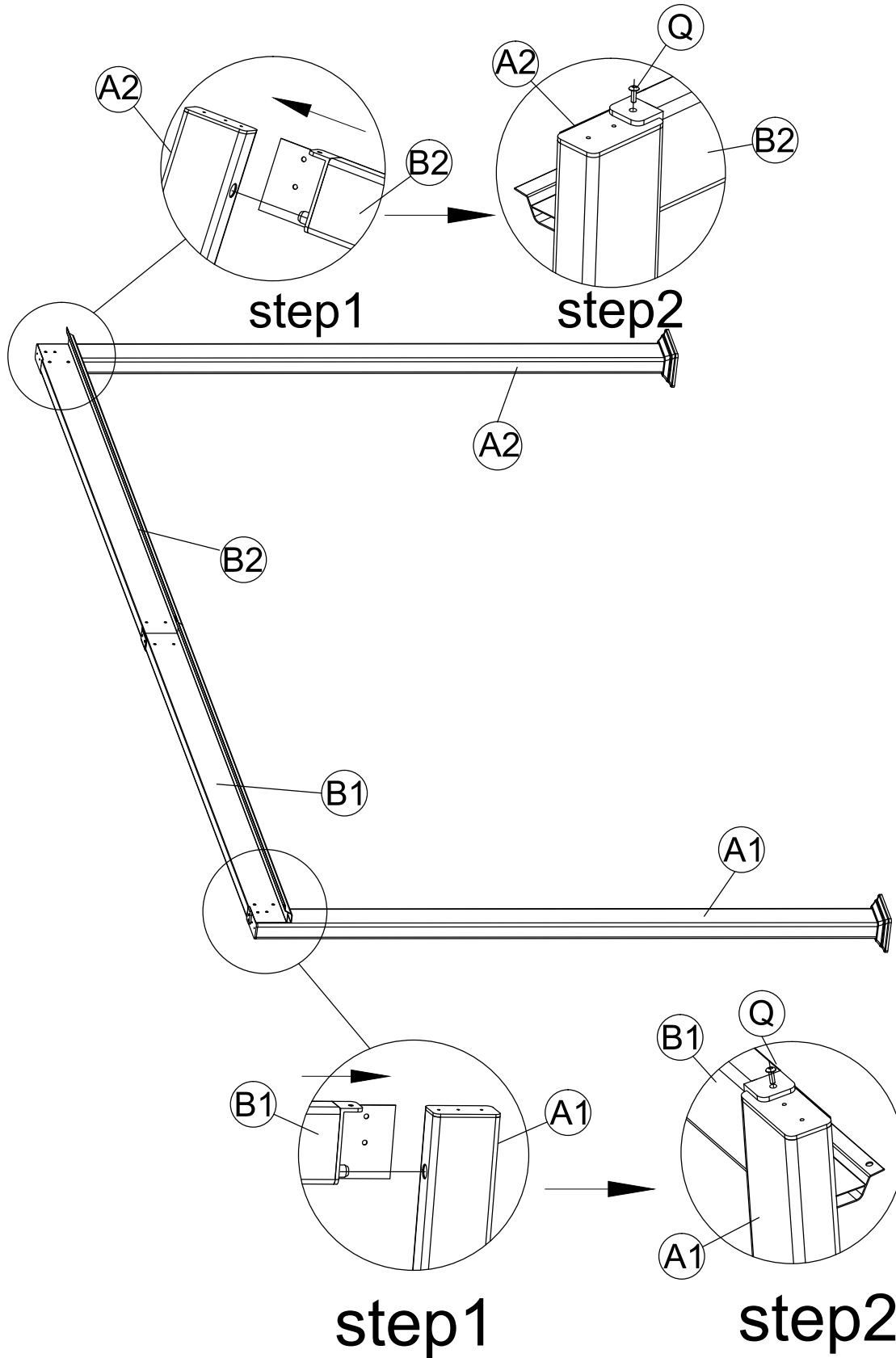
Back out the screw Q2 before assembled part K



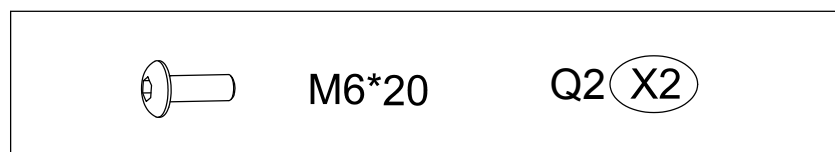
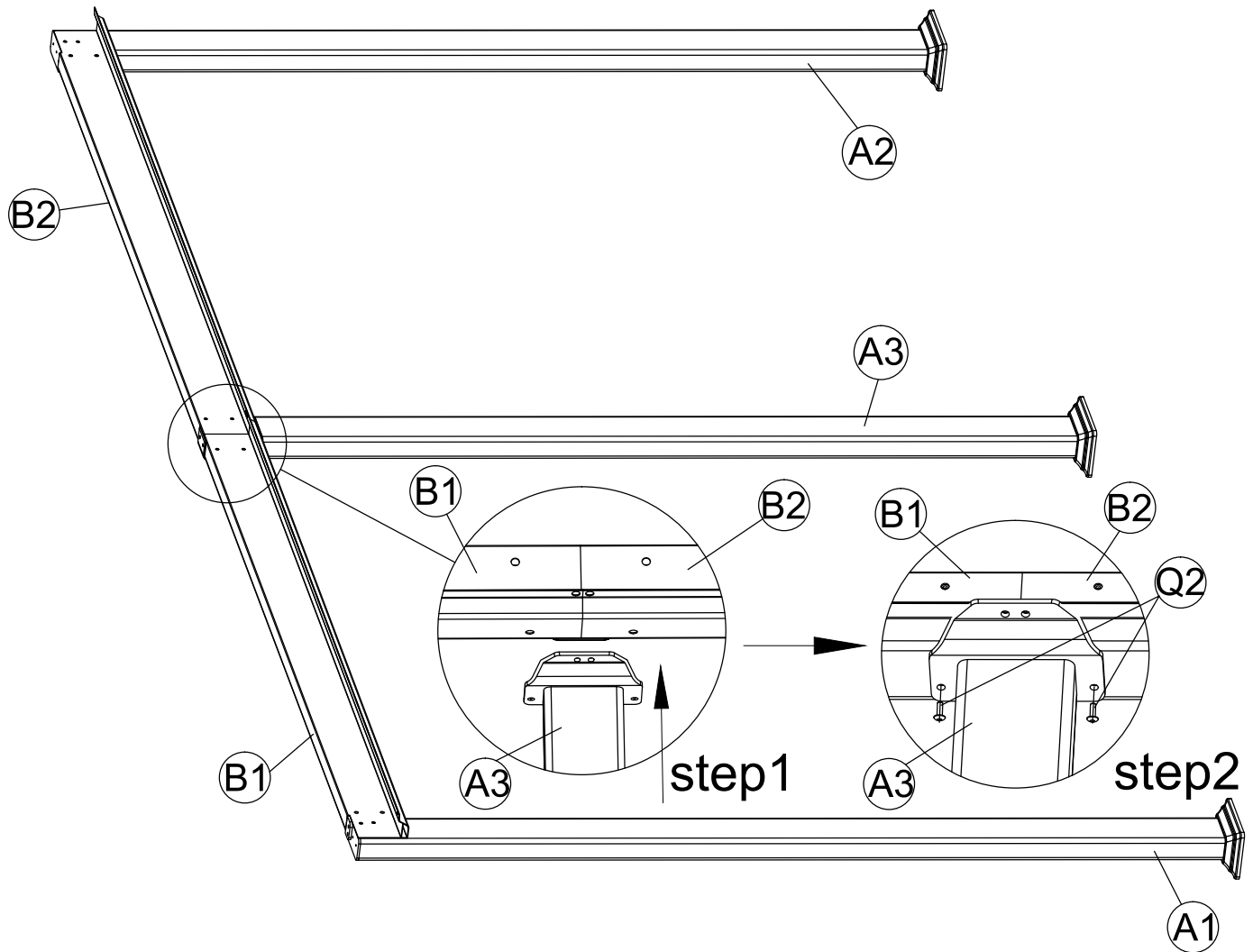
step3



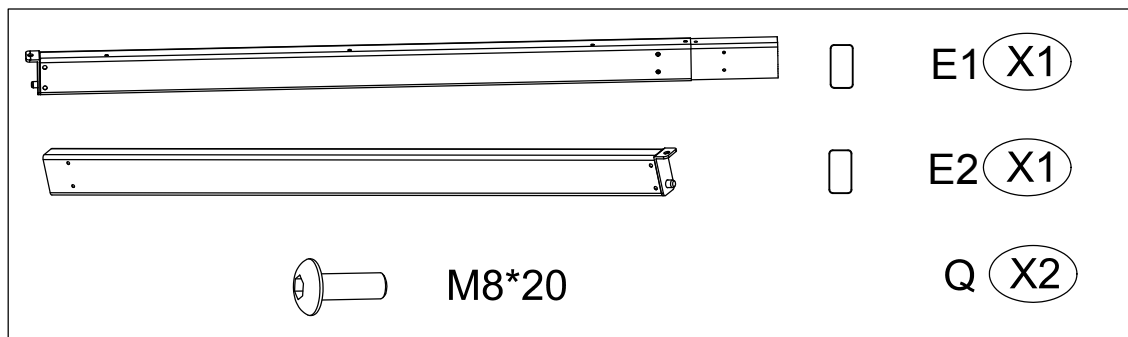
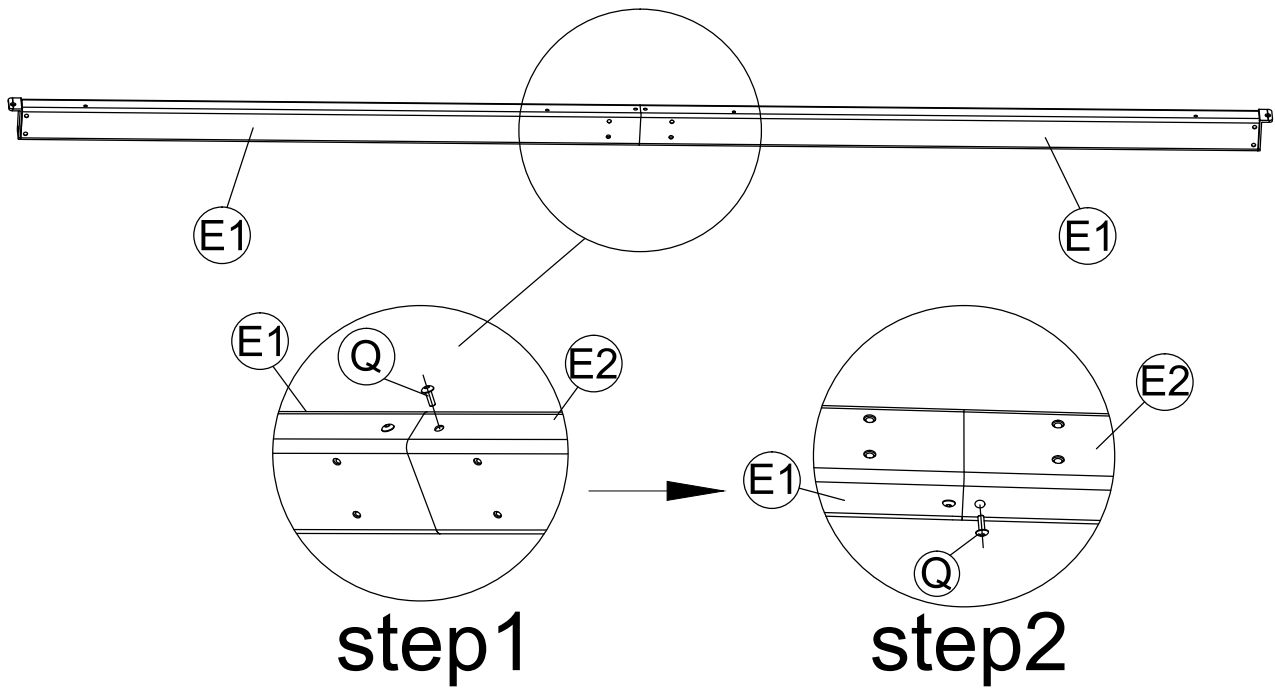
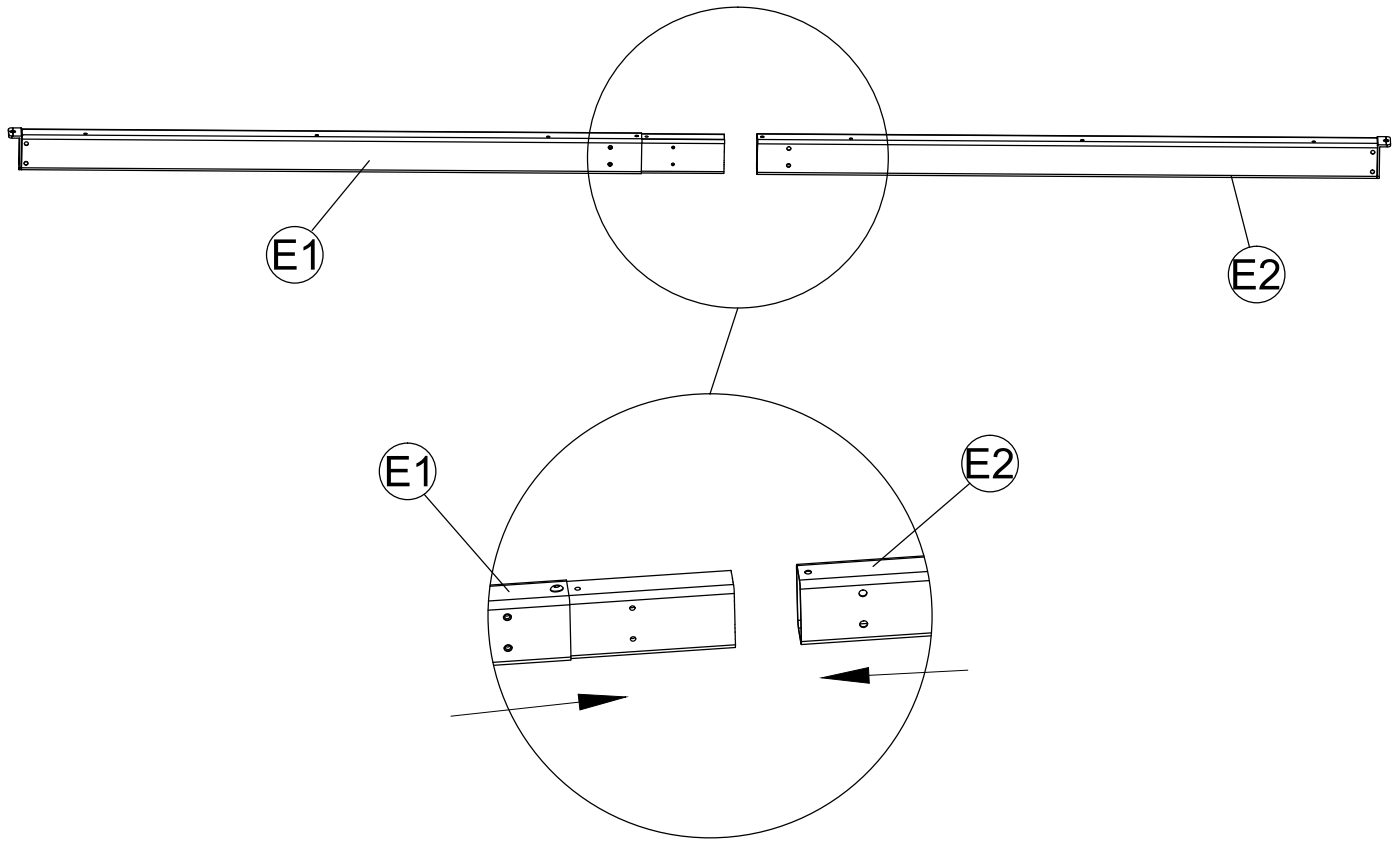
STEP 04



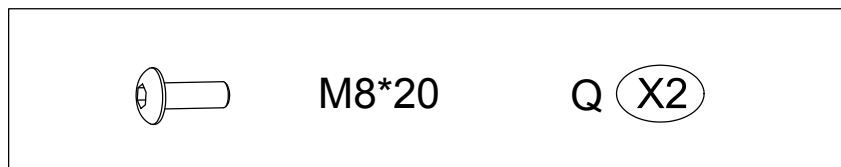
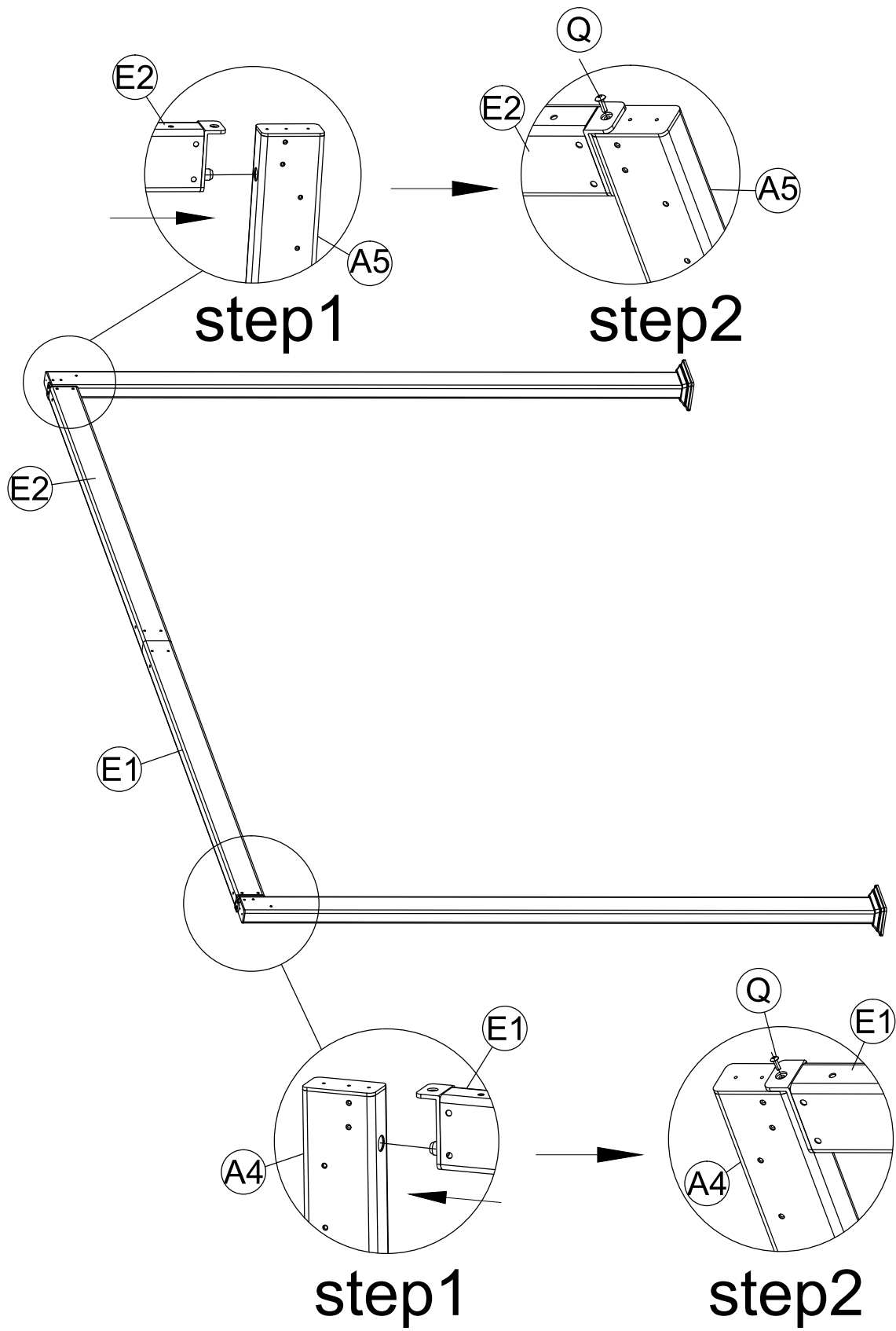
STEP 05



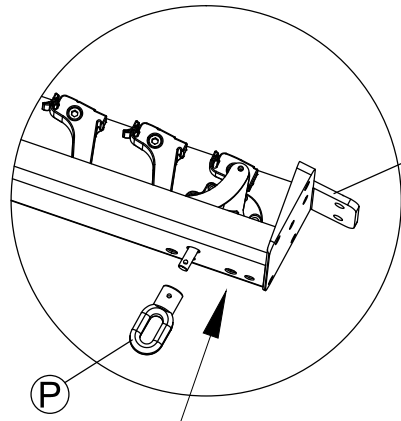
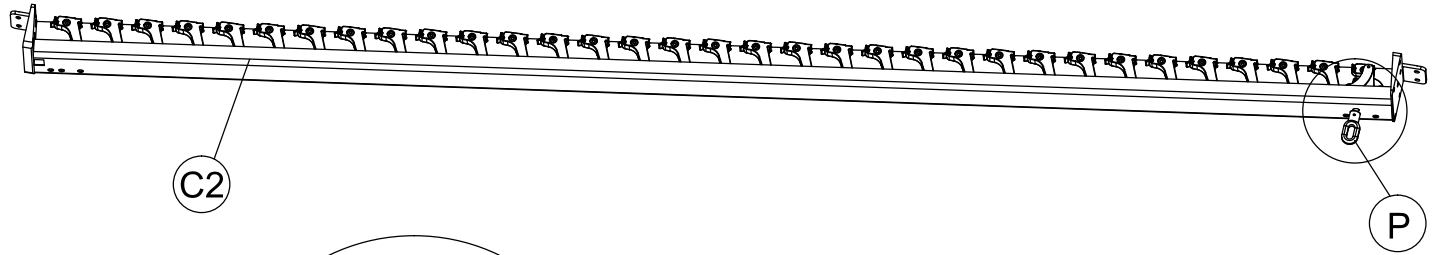
STEP 06



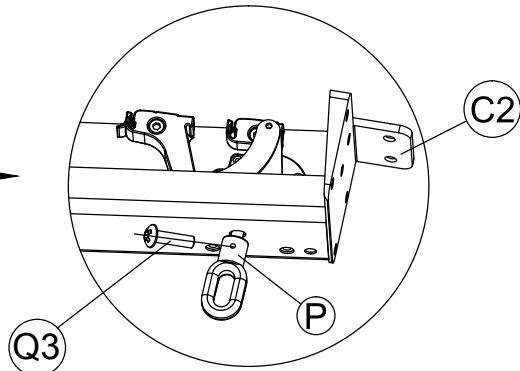
STEP 07



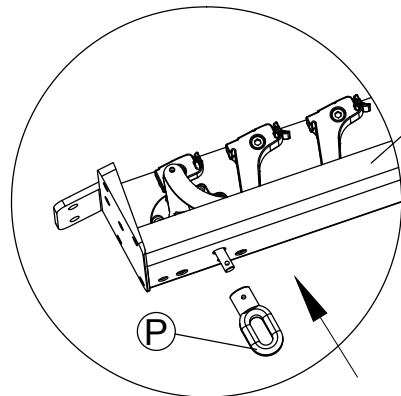
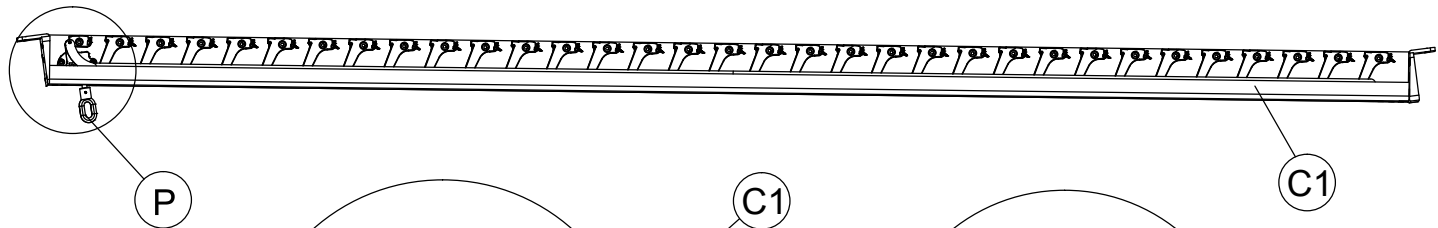
STEP 08



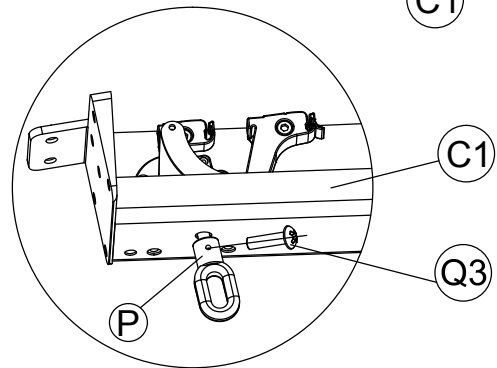
step1



step2



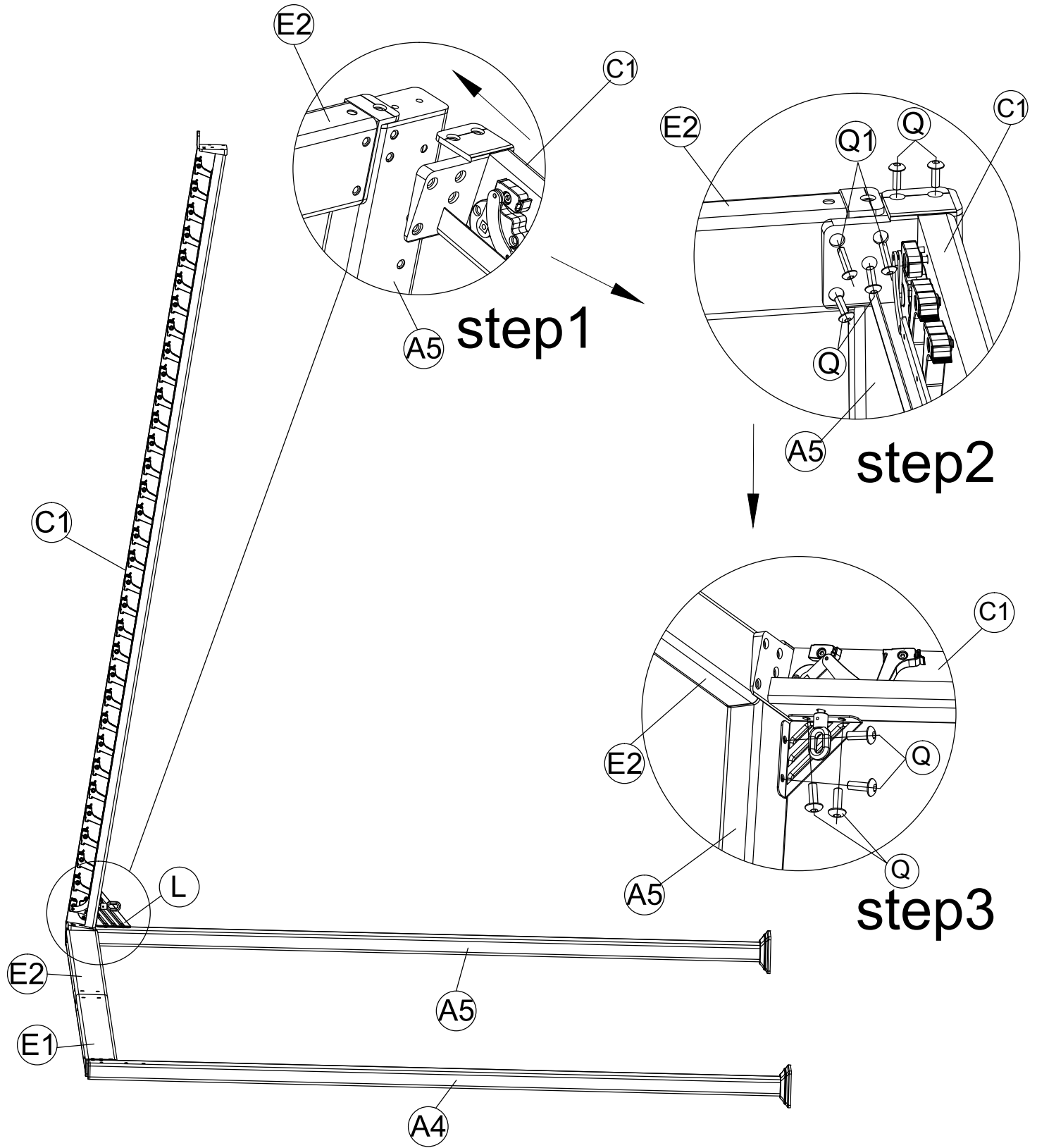
step1

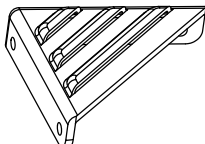
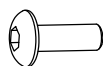
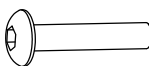


step2

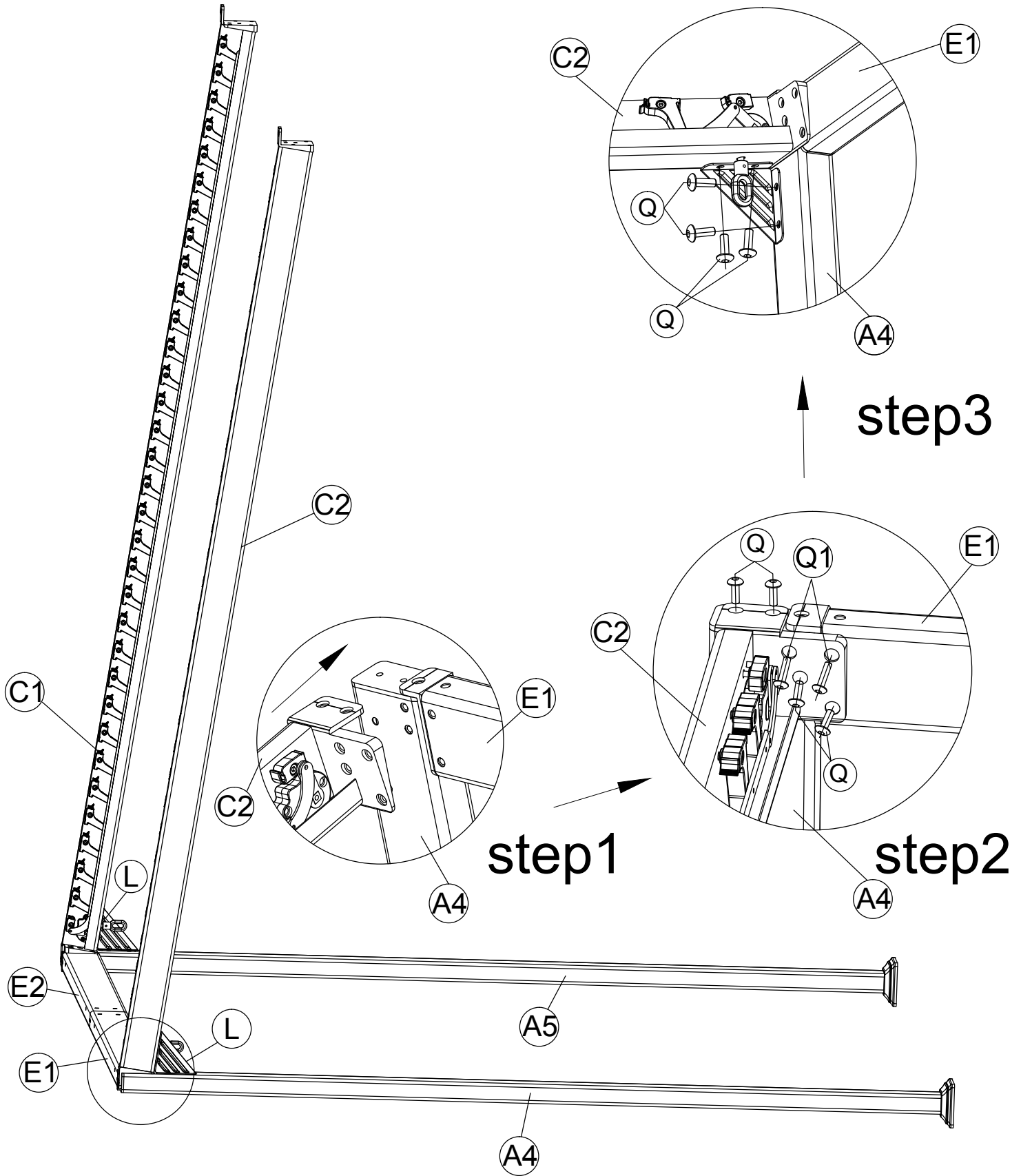
	C1	X1
	C2	X1
	P	X2
	M4*18	
	Q3	X2

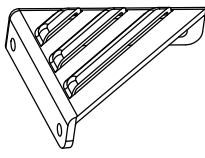
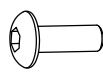
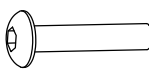
STEP 09



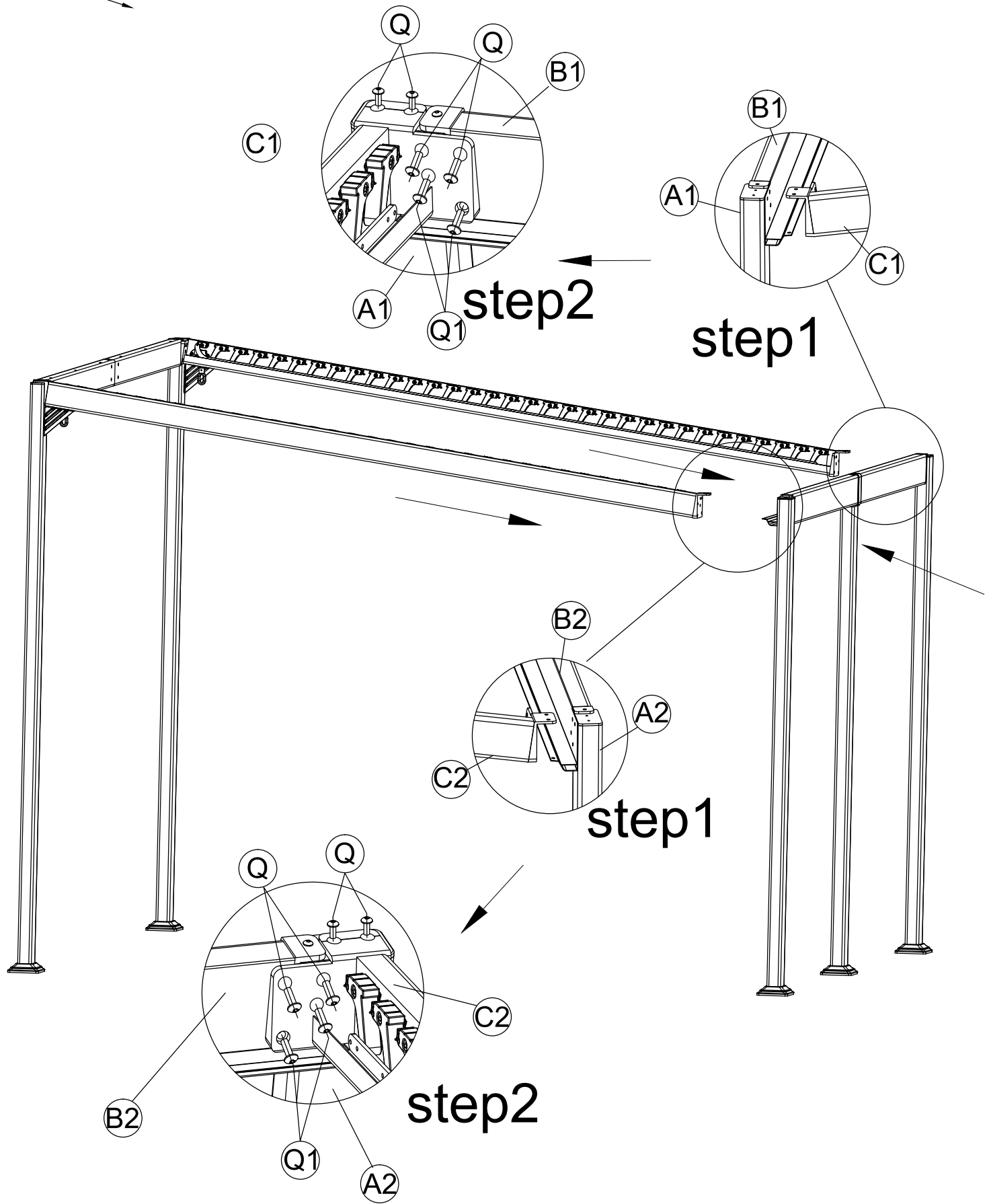
	L (X1)		M8*20	Q (X8)
			M8*25	Q1 (X2)

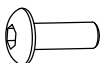
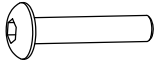
STEP 10



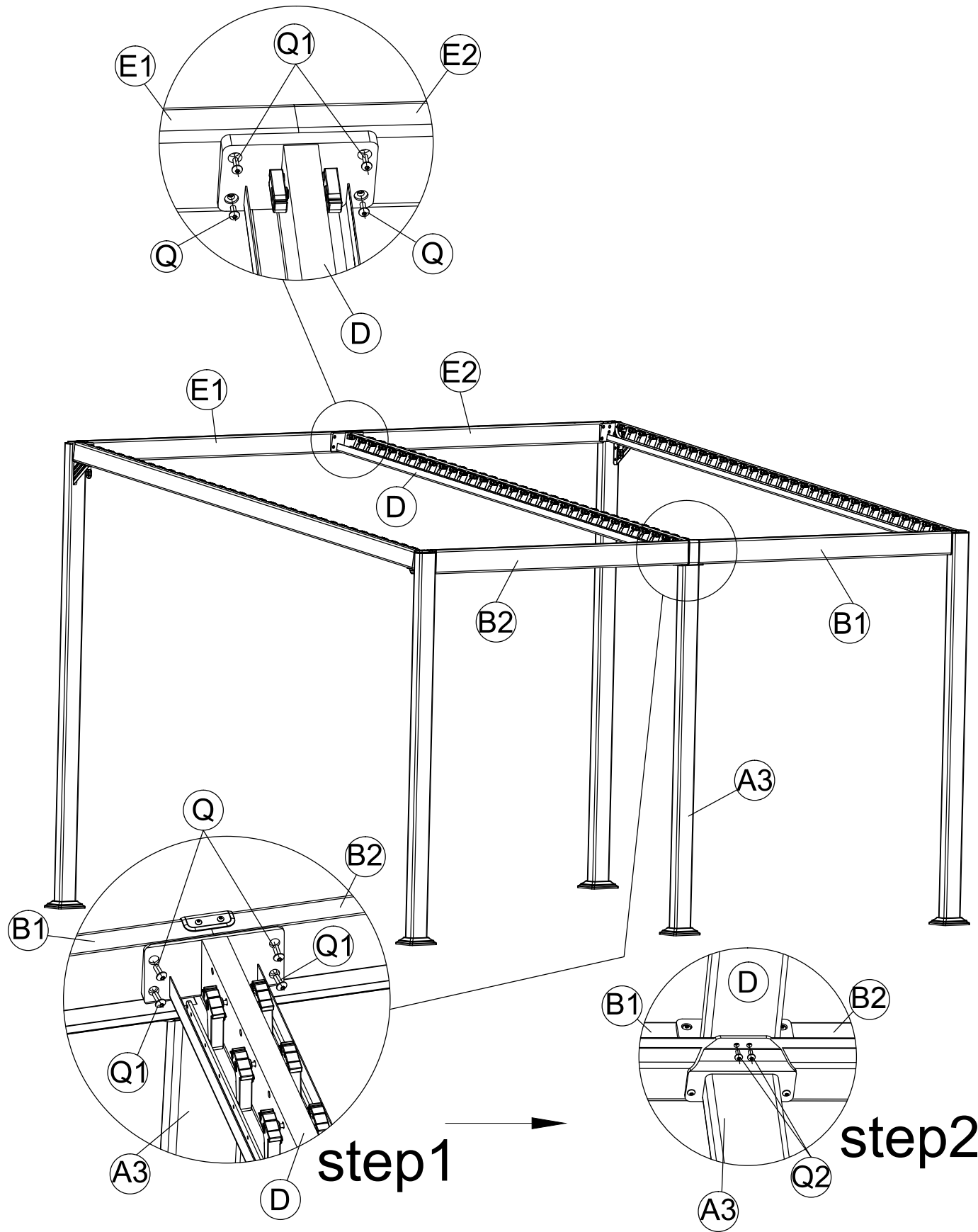
	L (X1)		M8*20	Q (X8)
			M8*25	Q1 (X2)

STEP 11



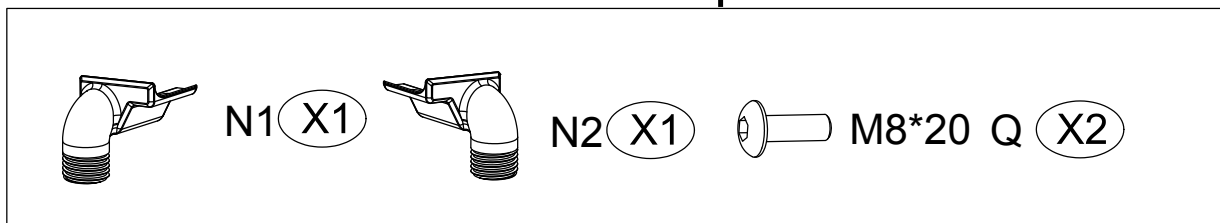
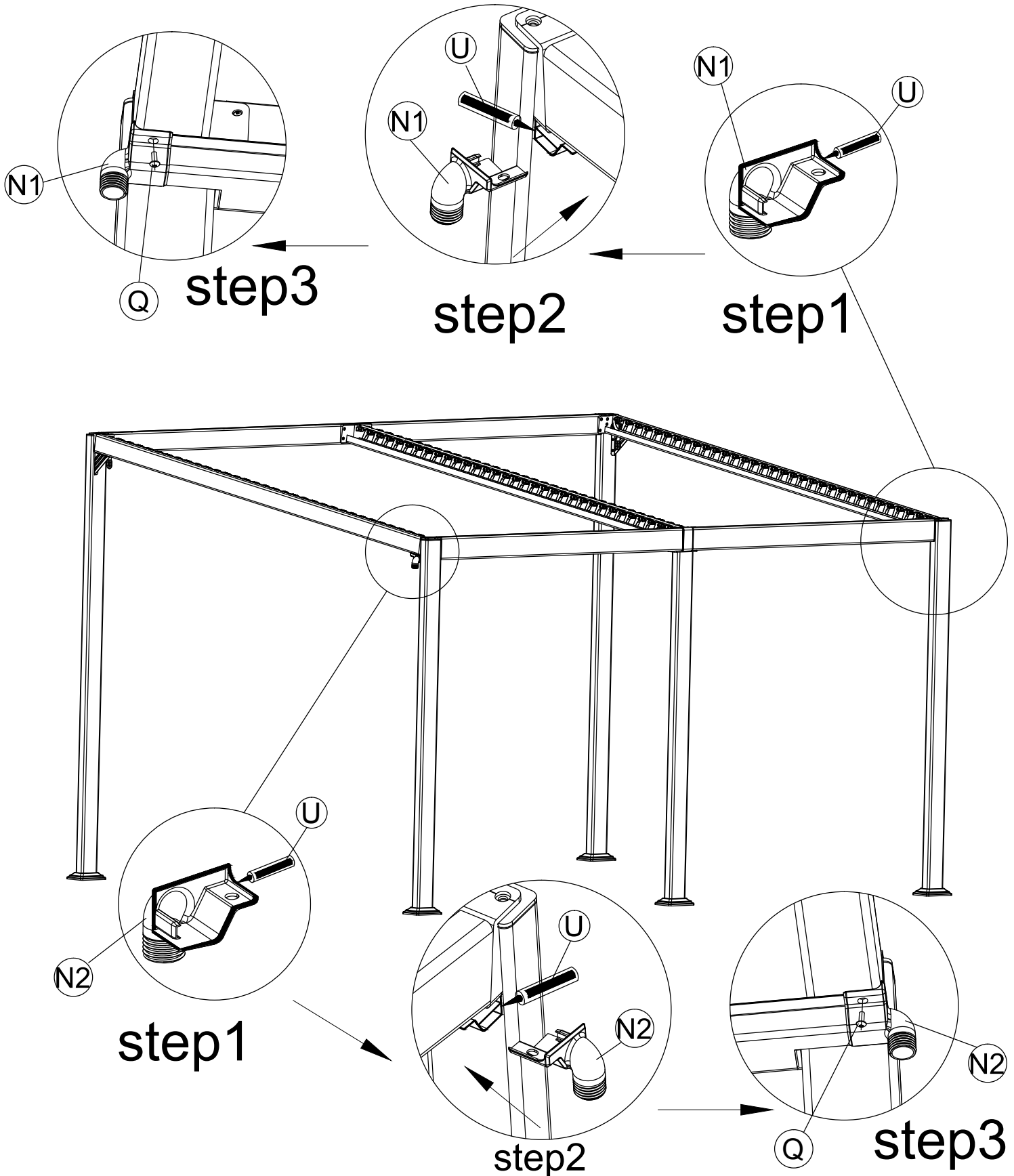
- | | | | | | | | |
|---|-------|---|----|--|-------|----|----|
|  | M8*20 | Q | X8 |  | M8*25 | Q1 | X4 |
|---|-------|---|----|--|-------|----|----|

STEP 12

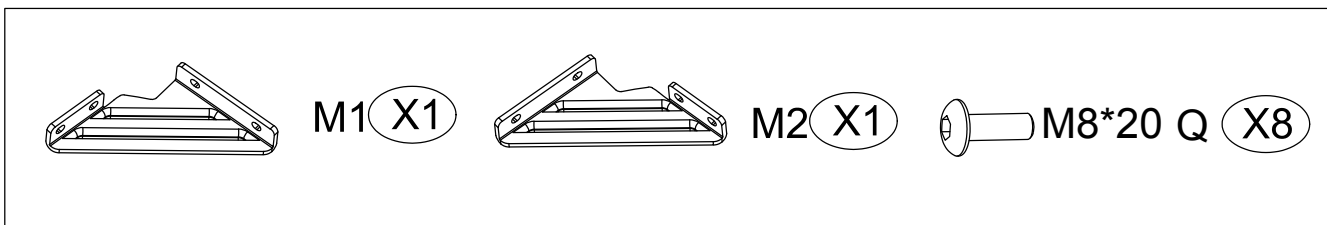
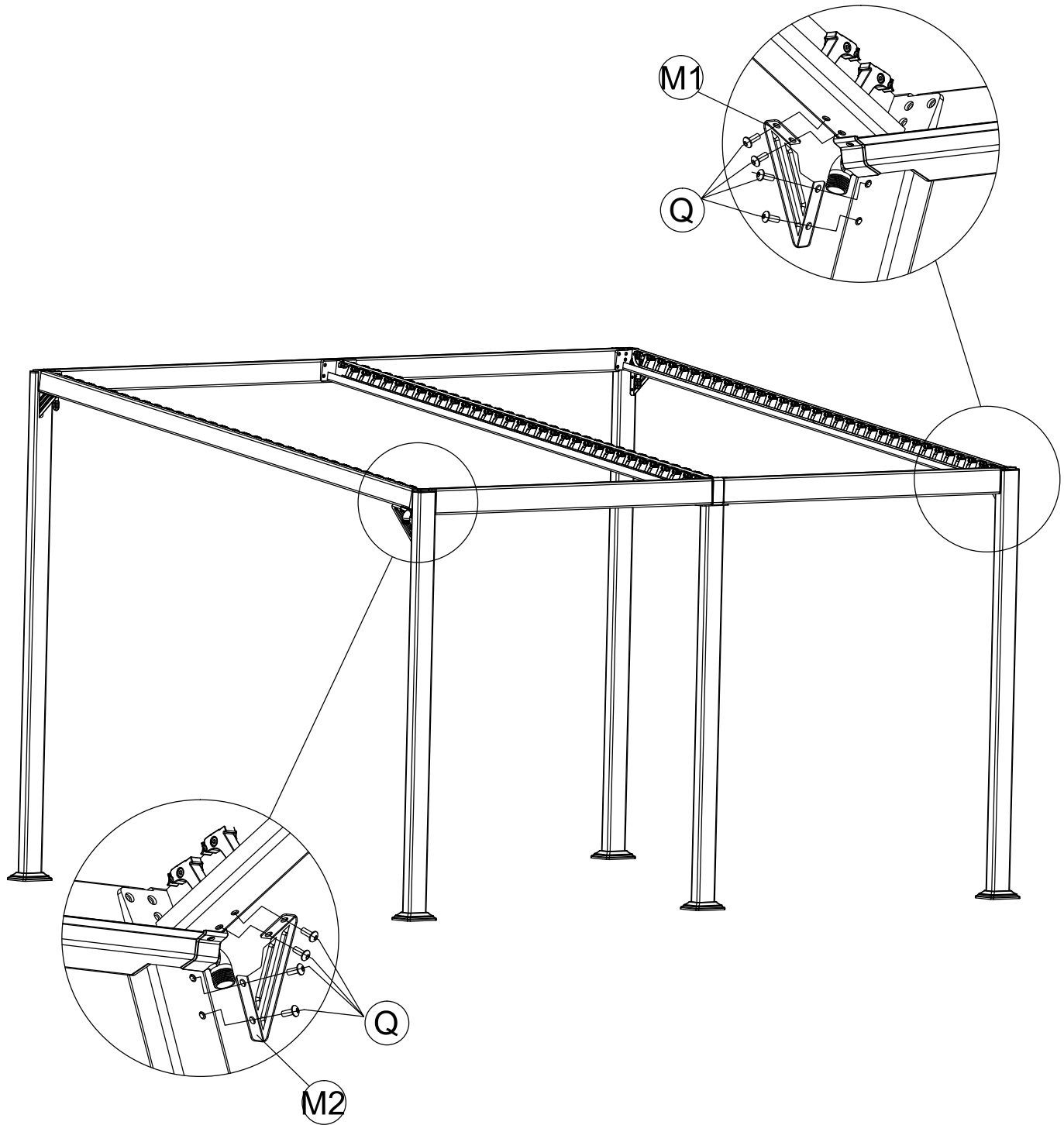


	D	X1
	M8*20	Q X4
	M6*20	Q2 X2
	M8*25	Q1 X4

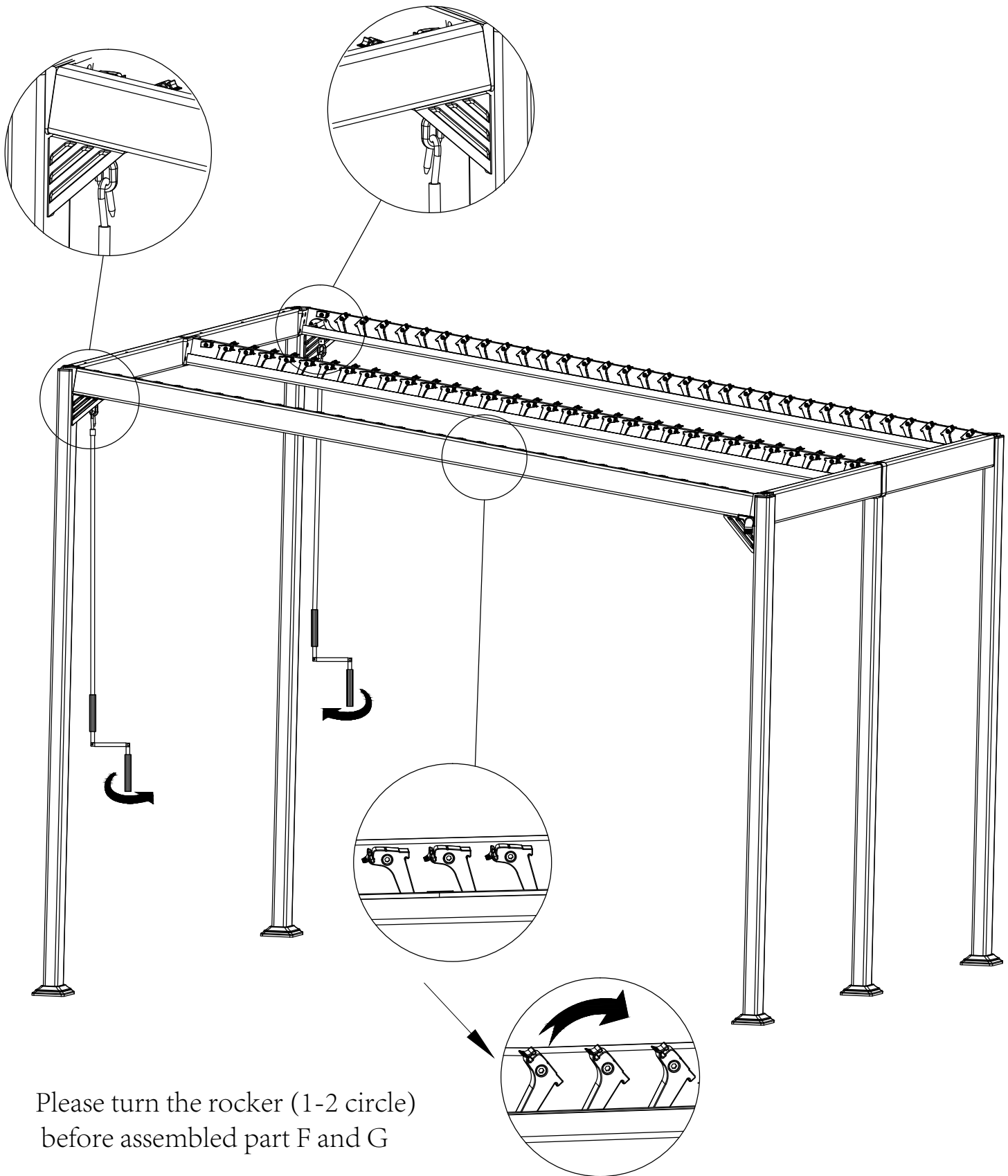
STEP 13



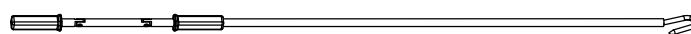
STEP 14



STEP 15

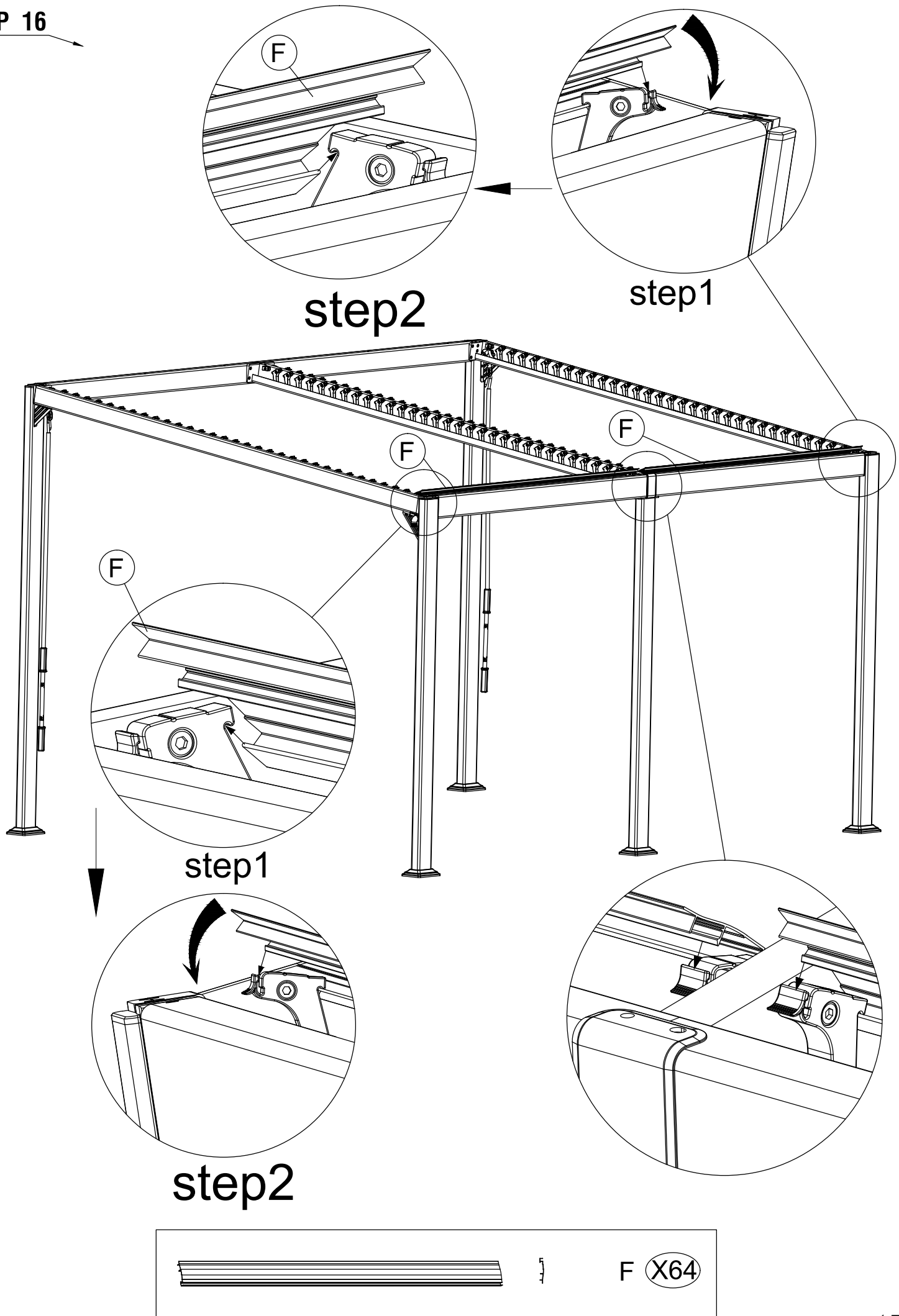


Please turn the rocker (1-2 circle)
before assembled part F and G

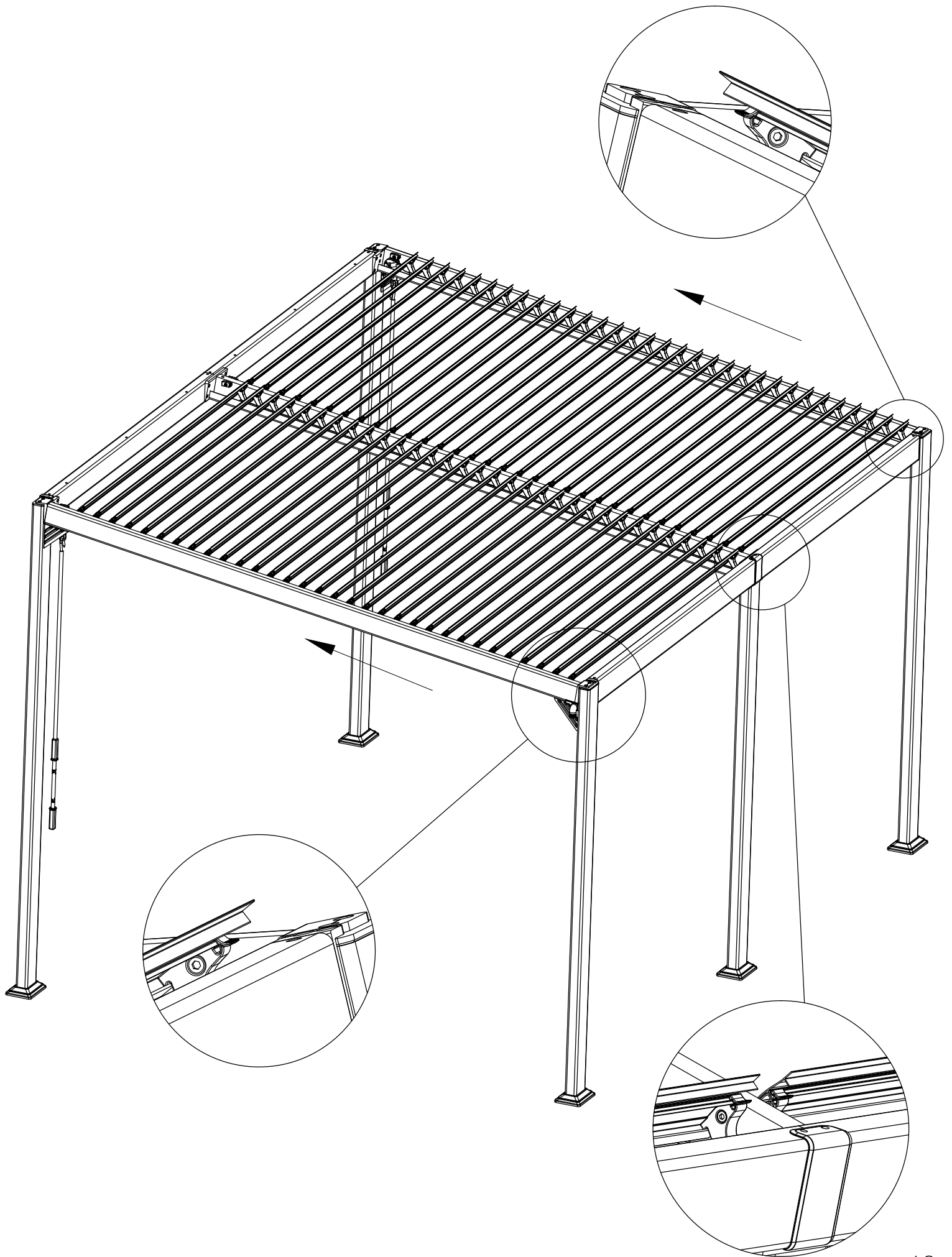


R (X2)

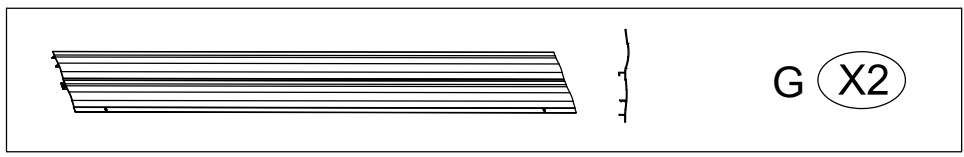
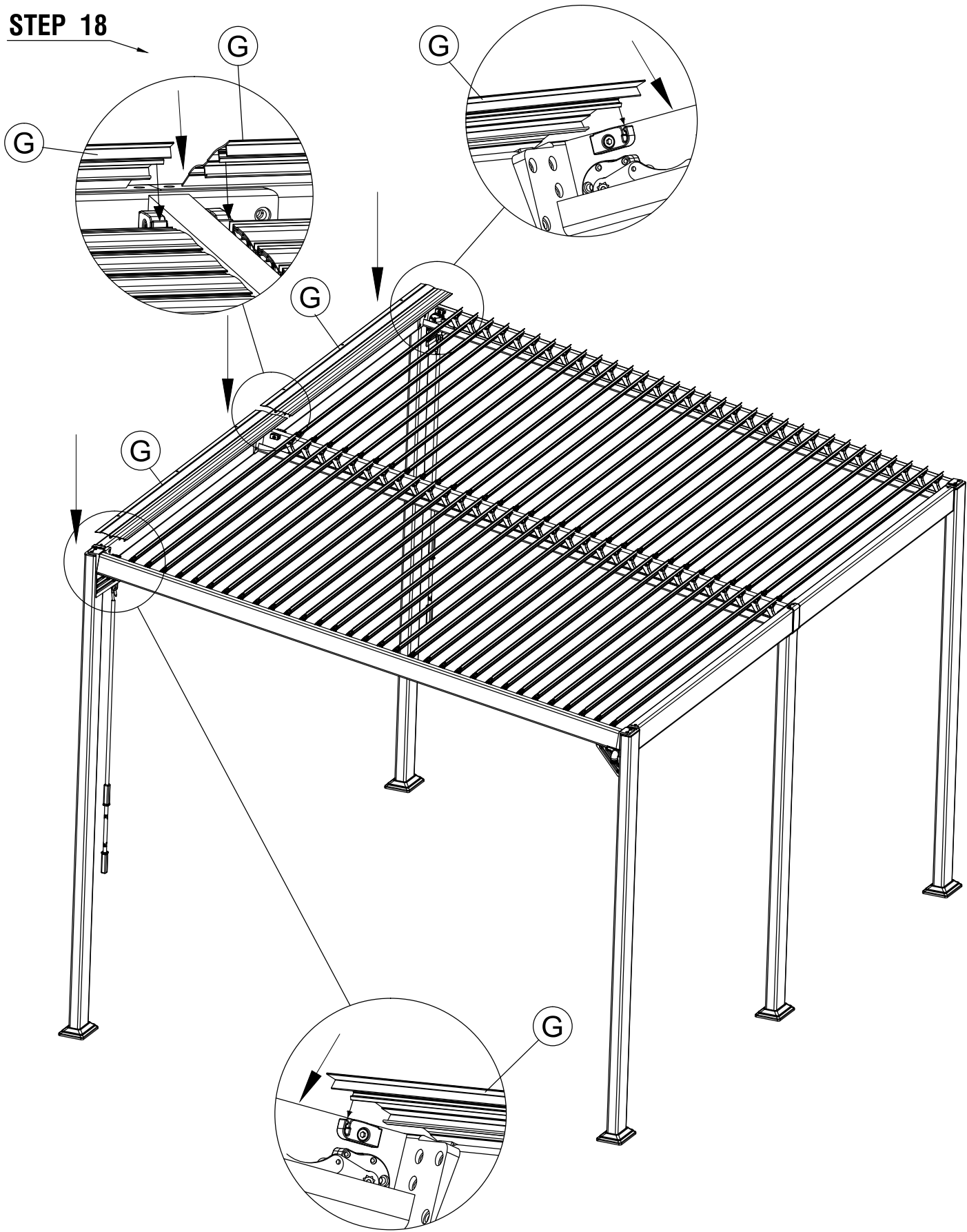
STEP 16



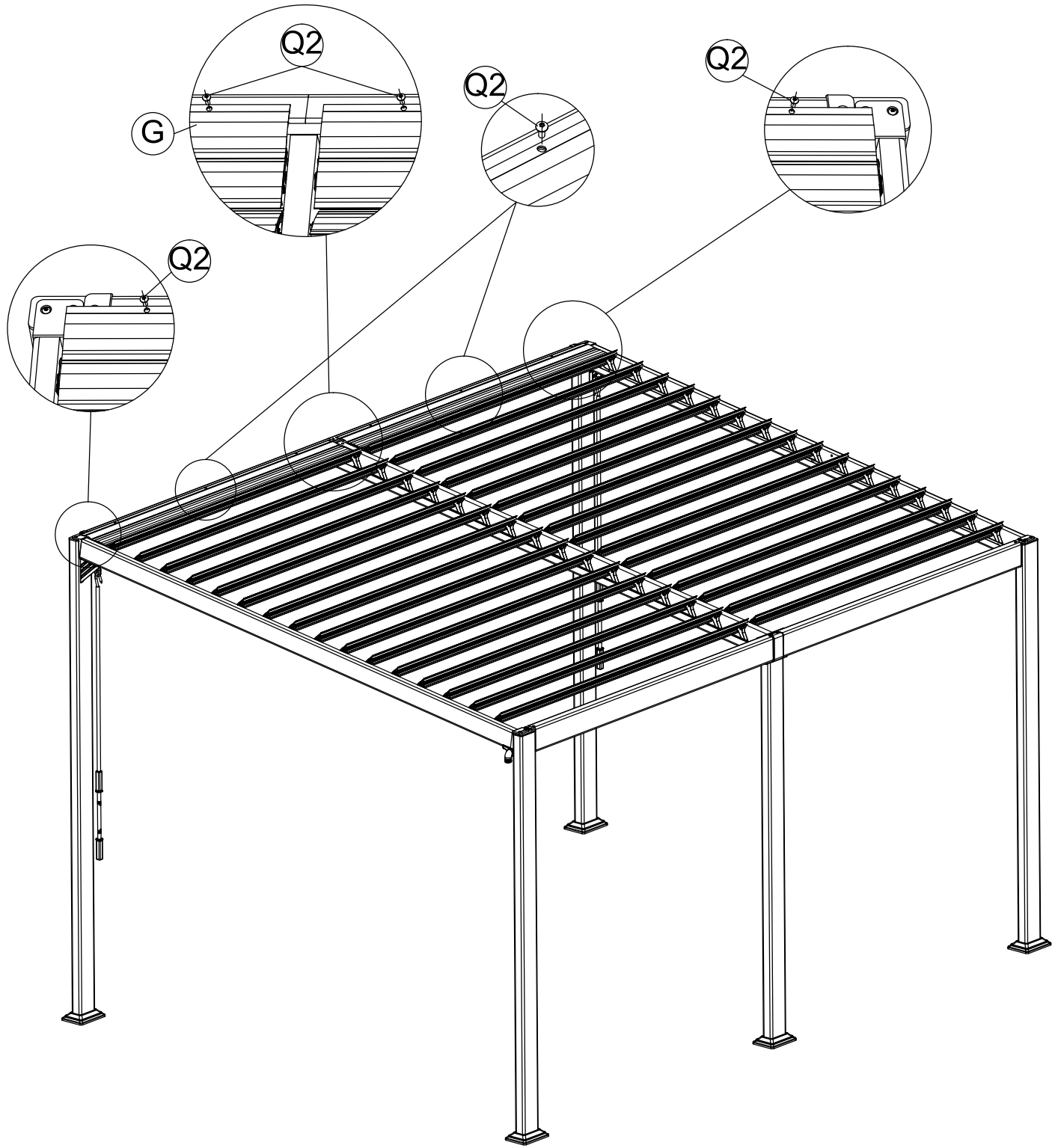
STEP 17

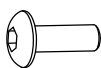


STEP 18



STEP 19



	M6*20	Q2 X6
---	-------	-------

STEP 20

