

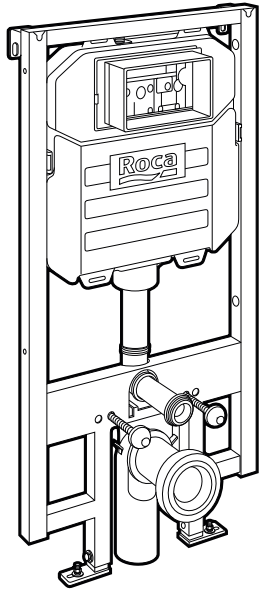
Roca

RIS
DUPLO

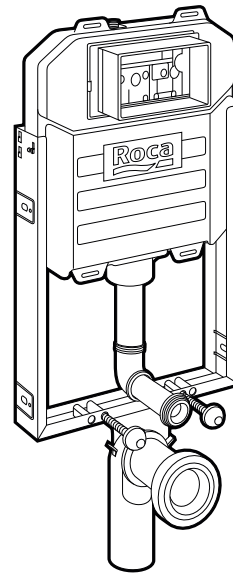
MANUAL DE RECAMBIOS
Spare parts manual

ÍNDICE

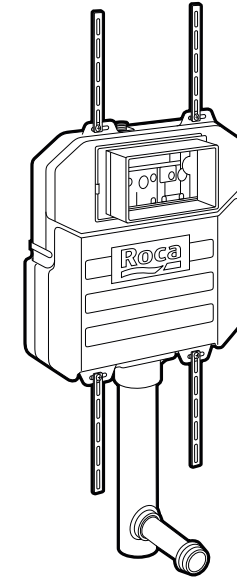
ÍNDICE	2	MODELOS WC L (BAJO VENTANA)	14
<i>Index</i>		<i>Models WC L (Underwindow)</i>	
MODELOS COMPACT 8CM	3	DUPLO WC L (BAJO VENTANA)	15
<i>8cm Compact models</i>		<i>Duplo WC L (Underwindow)</i>	
DUPLO WC COMPACT	4	BASIC TANK L (BAJO VENTANA)	16
<i>Duplo WC Compact</i>		<i>Basic tank L (Underwindow)</i>	
DUPLO BASIC COMPACT	5	MODELOS BASIC SYSTEM	17
<i>Duplo Basic Compact</i>		<i>Basic System models</i>	
DUPLO TANK COMPACT	6	BASIC WC SYSTEM	18
<i>Duplo tank Compact</i>		<i>Basic WC System</i>	
MODELOS DUPLO SYSTEM	7	BASIC TANK SYSTEM	19
<i>Duplo System models</i>		<i>Basic tank System</i>	
DUPLO WC SYSTEM	8	BASIC BD SYSTEM	20
<i>Duplo WC System</i>		<i>Basic BD System</i>	
DUPLO WB SYSTEM	9	MODELOS PLACAS ACCIONAMIENTO	21
<i>Duplo WB System</i>		<i>Command plates models</i>	
DUPLO BIDET SYSTEM	10	PLACAS ACCIONAMIENTO MECÁNICO	22
<i>Duplo Bidet System</i>		<i>Mechanical command plates</i>	
DUPLO URINARIO SYSTEM	11	PLACAS ACCIONAMIENTO ELECTRÓNICO	23
<i>Duplo urinal System</i>		<i>Electronic command plates</i>	
DUPLO URINARIO UNIVERSAL	12	CONTROL DE MODIFICACIONES	24
<i>Duplo urinal universal</i>		<i>Version control</i>	
DUPLO URINARIO 1120	13		
<i>Duplo urinal 1120</i>			



A890080000	Ø 90	Duplo WC Compact
A890080010	Ø 100	

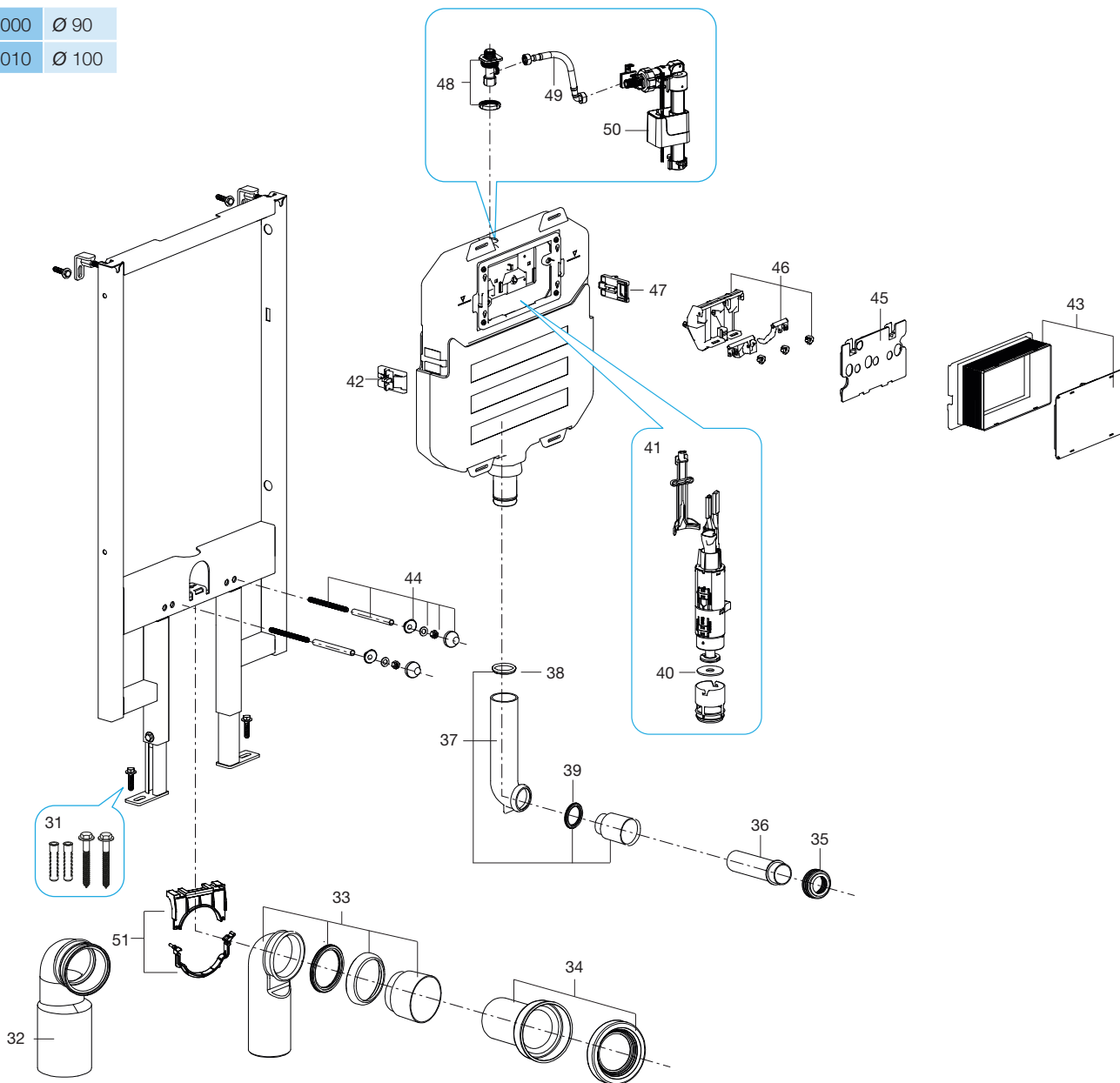


A890080100	Ø 90	Duplo Basic Compact
A890080110	Ø 100	



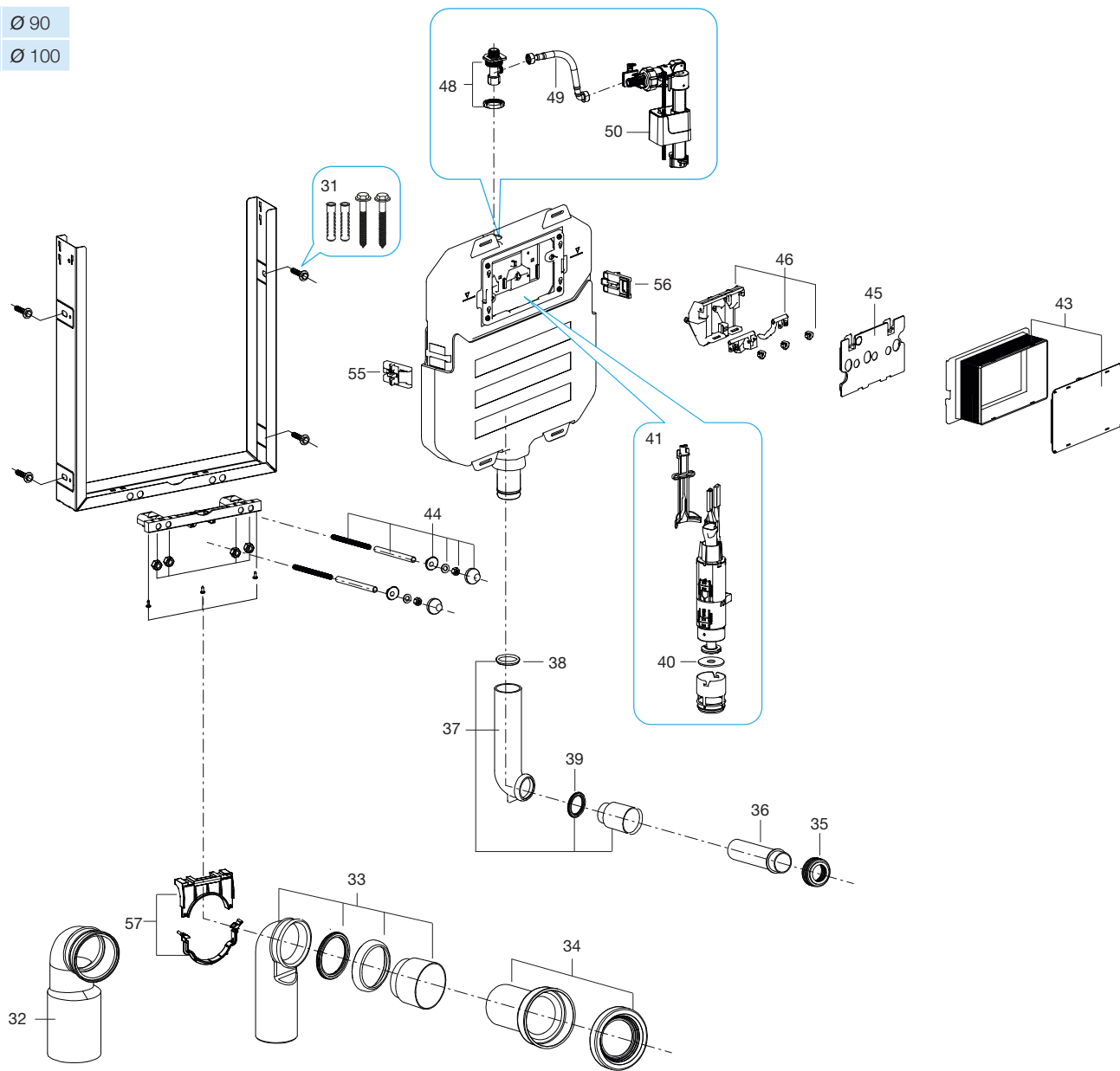
A890080200	Duplo tank Compact
------------	--------------------

A890080000	Ø 90
A890080010	Ø 100



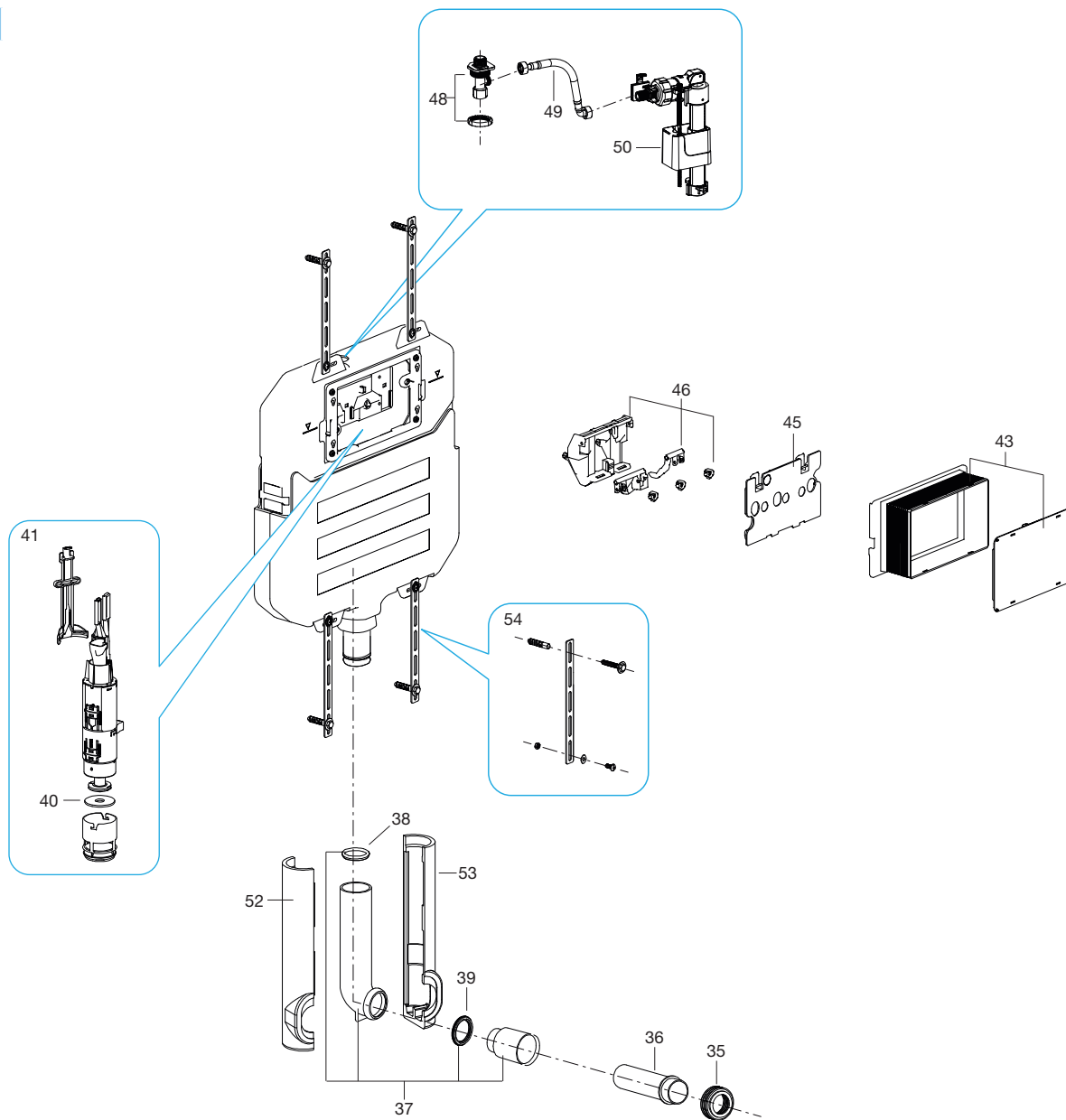
31	AV0019500R
32	AV0018800R Ø110
33	AV0018900R Ø90
34	
35	AV0018600R
36	
37	AV0018700R
38	AV0019000R
39	AV0019100R
40	AV0018100R
41	AV0018000R
42	
43	AV0019400R
44	AV0018400R
45	x 2 AV0018500R
46	AV0018300R
47	AV0018200R
48	AV0017700R
49	AV0017800R
50	AV0017900R
51	AV0019700R

A890080100	Ø 90
A890080110	Ø 100



31	AV0019500R
32	AV0018800R Ø110
33	AV0018900R Ø90
34	
35	AV0018600R
36	
35	AV0018700R
37	AV0019000R
38	AV0019100R
39	AV0019200R
40	AV0018100R
41	AV0018000R
43	AV0018400R
44	x 2 AV0018500R
45	AV0018300R
46	AV0018200R
48	AV0017700R
49	AV0017800R
50	AV0017900R
55	AV0020100R
56	
57	AV0020000R

A890080200



35		AV0018600R
36		AV0018700R
37		AV0019000R
38		AV0019100R
39		AV0019200R
40		AV0018100R
41		AV0018000R
43		AV0018400R
45		AV0018300R
46		AV0018200R
48		AV0017700R
49		AV0017800R
50		AV0017900R
52		AV0019300R
53		AV0019600R
54		AV0019600R



A890090000	Ø 90	Duplo WC
A89009000K	Ø 100	System



A890093000	Duplo WB System
------------	-----------------



A890091000	Duplo BD System
------------	-----------------



A890094000	Duplo UR System
------------	-----------------



A890094100	UR Universal
------------	--------------



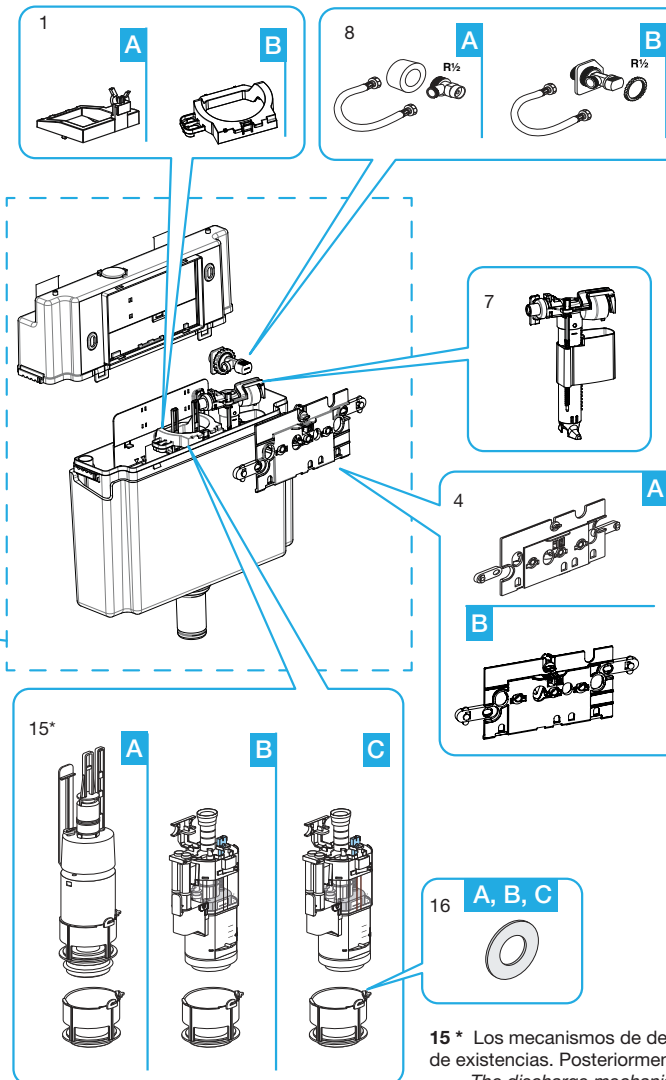
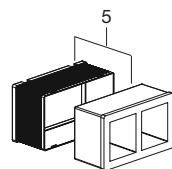
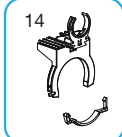
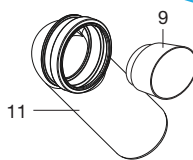
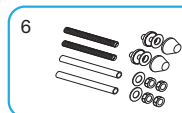
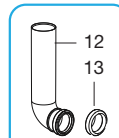
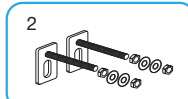
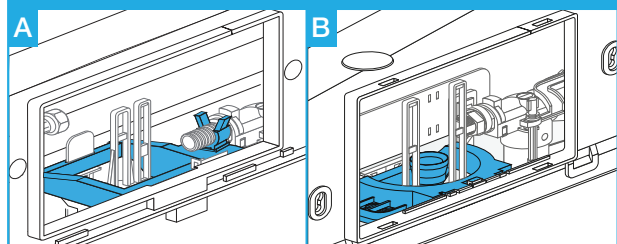
A890094200	UR 1120
------------	---------

A890090000 Ø 90

A89009000K Ø 100



Retirar placa y tapa de accionamiento del Duplo. Si es como en la imagen A, Duplo anterior a 2014 y si es como la imagen B, Duplo posterior a 2014. Atención a los recambios específicos de cada año.
Remove the cover and the driven plate. If it is like image A, it is prior to 2014 and if it is like the image B, Duplo is later than 2014. Attention to specific spare parts of each year.

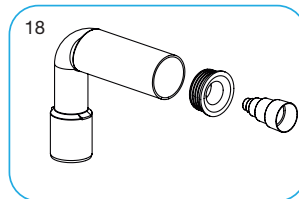
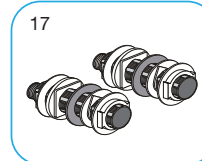
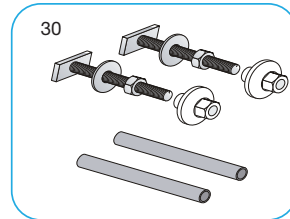
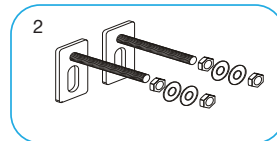
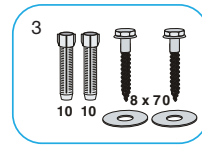
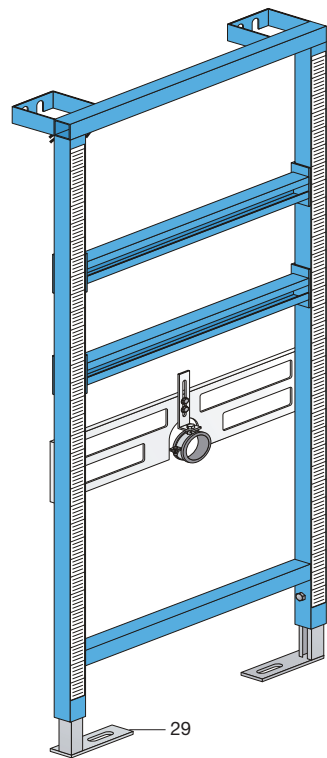


1	AV0001800R	A
	AV0027600R	B
2	AV0011800R	
3	AV0001900R	
4	AV0011900R	A
	AV0025700R	B
5	AV0001200R	
6	AV0001000R	
7	AV0025600R	
	AV0014600R	A
8	AV0027400R	B
9	AV0012000R	
10	AV0002900R	
	AV0001100R	D90-90
11	AV0004800R	D90-110
12	AV0027300R	
13	AV0001400R	A
	AV0027500R	B
14	AV0003000R	
	AV0031100R	A
15*	AV0031200R	B
	AV0031300R	C
16	AV0025900R	
29	AV0004900R	

15 * Los mecanismos de descarga B anteriores a 2015, stock hasta fin de existencias. Posteriormente sustituido por C.
The discharge mechanism B before 2015, while stocks last. Later replaced by C.

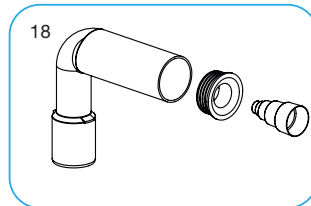
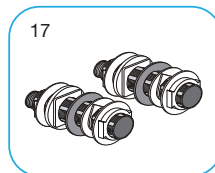
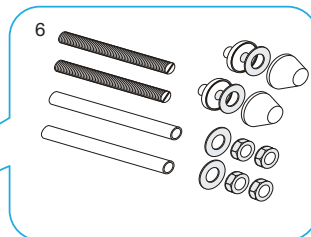
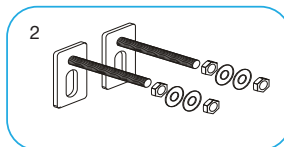
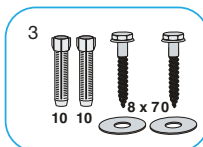
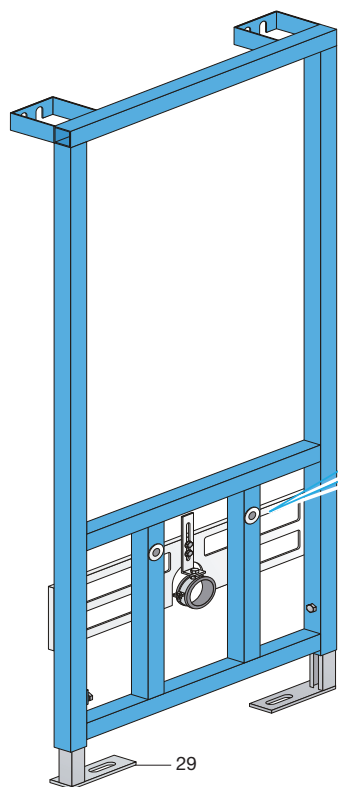
A890093000

2	AV0011800R
3	AV0001900R
17	AV0002100R
18	AV0002600R
29	AV0004900R
30	AV0002500R

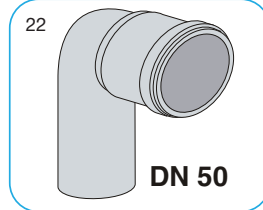
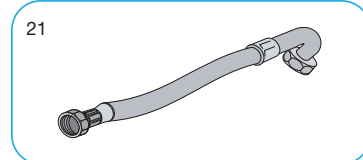
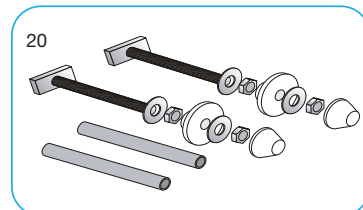
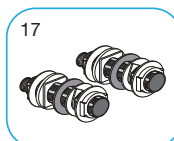
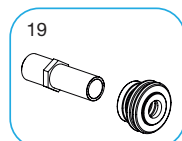
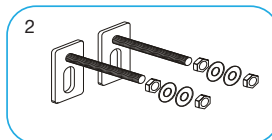
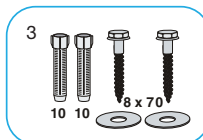
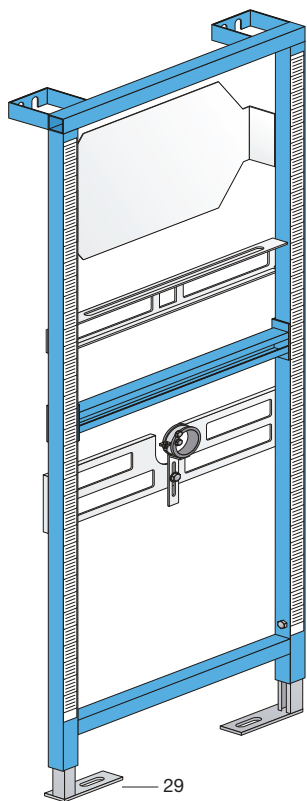


A890091000

2	AV0011800R
3	AV0001900R
6	AV0001000R
17	AV0002100R
18	AV0002600R
29	AV0004900R

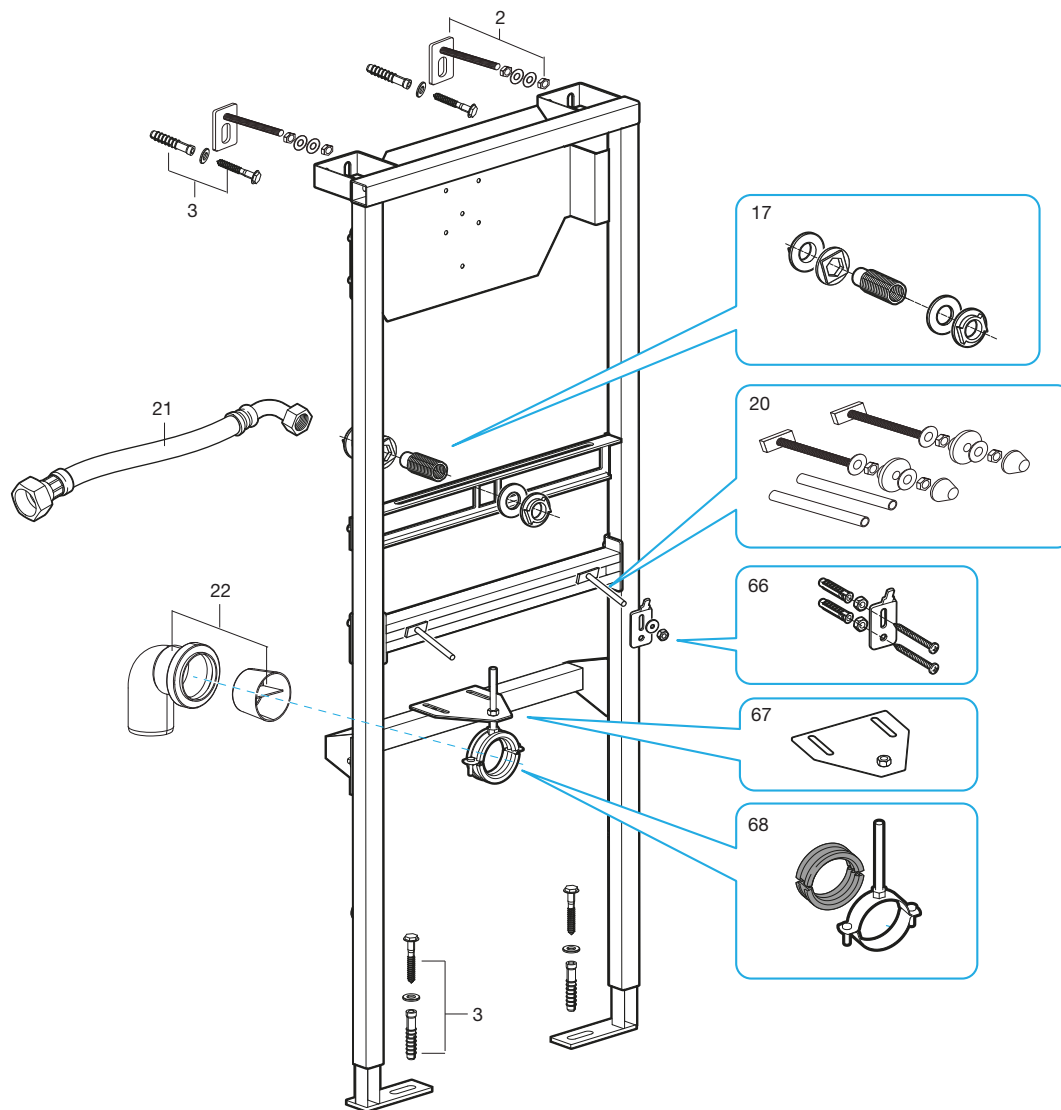


A890094000



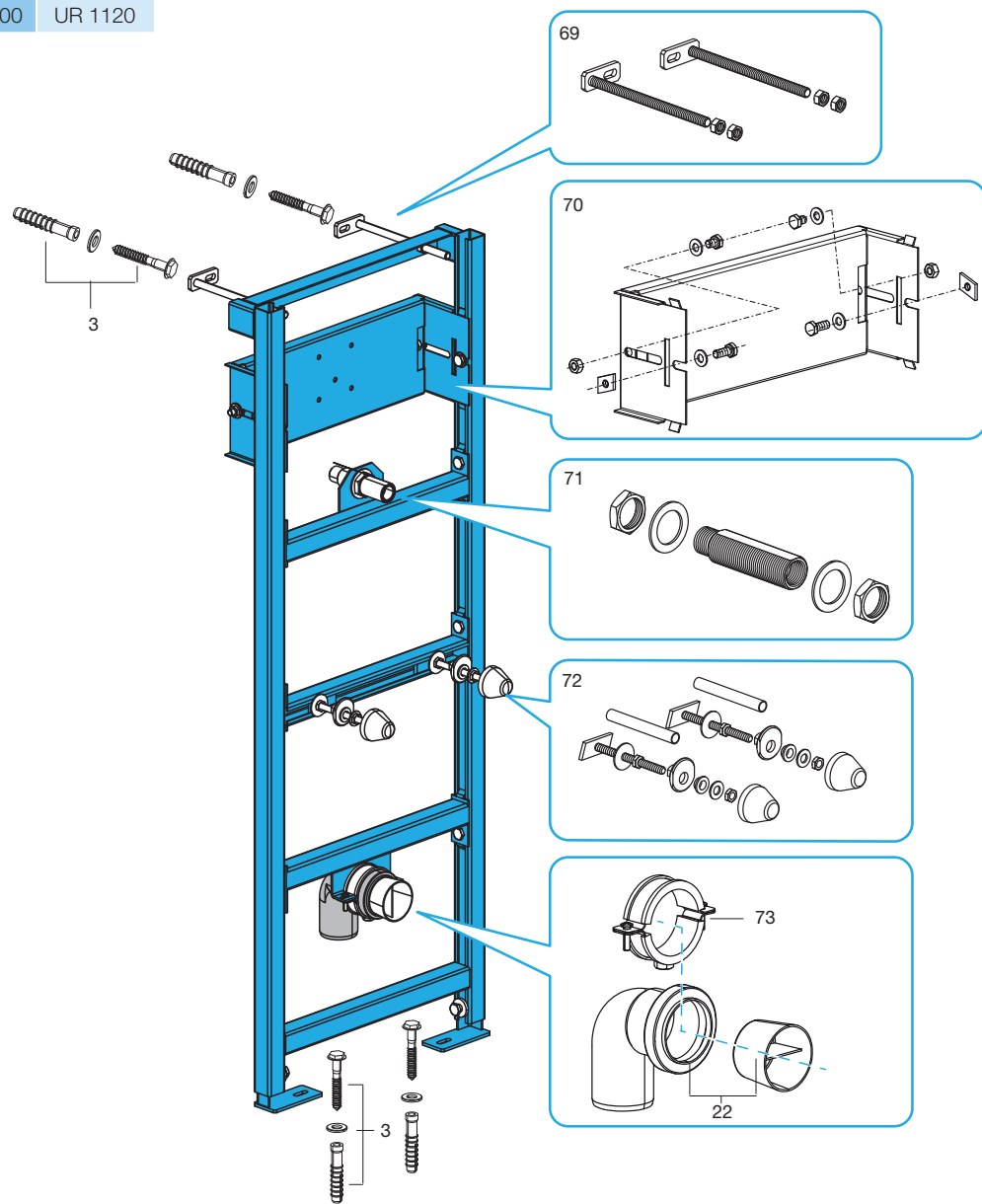
2	AV0011800R	
3	AV0001900R	
17	AV0002100R	
19	AV0002200R	
20	AV0002300R	
21	AV0002000R	
22	AV0002400R	D50-87°
29	AV0004900R	

A890094100



2	x 2	AV0011800R
3	x 2	AV0001900R
17		AV0002100R
20		AV0002300R
21		AV0002000R
22		AV0002400R <i>D50-87°</i>
66	x 2	AV0017500R
67		AV0030700R
68		AV0030600R

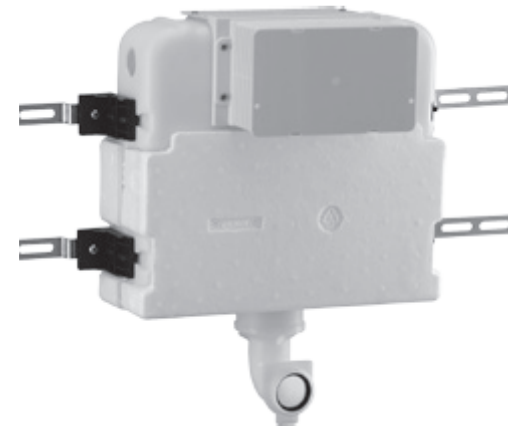
A890094200 UR 1120



3	x 2	AV0001900R	
22		AV0002400R	D50-87°
69		AV0030100R	
70		AV0030200R	
71		AV0030300R	
72		AV0030400R	
73		AV0030500R	

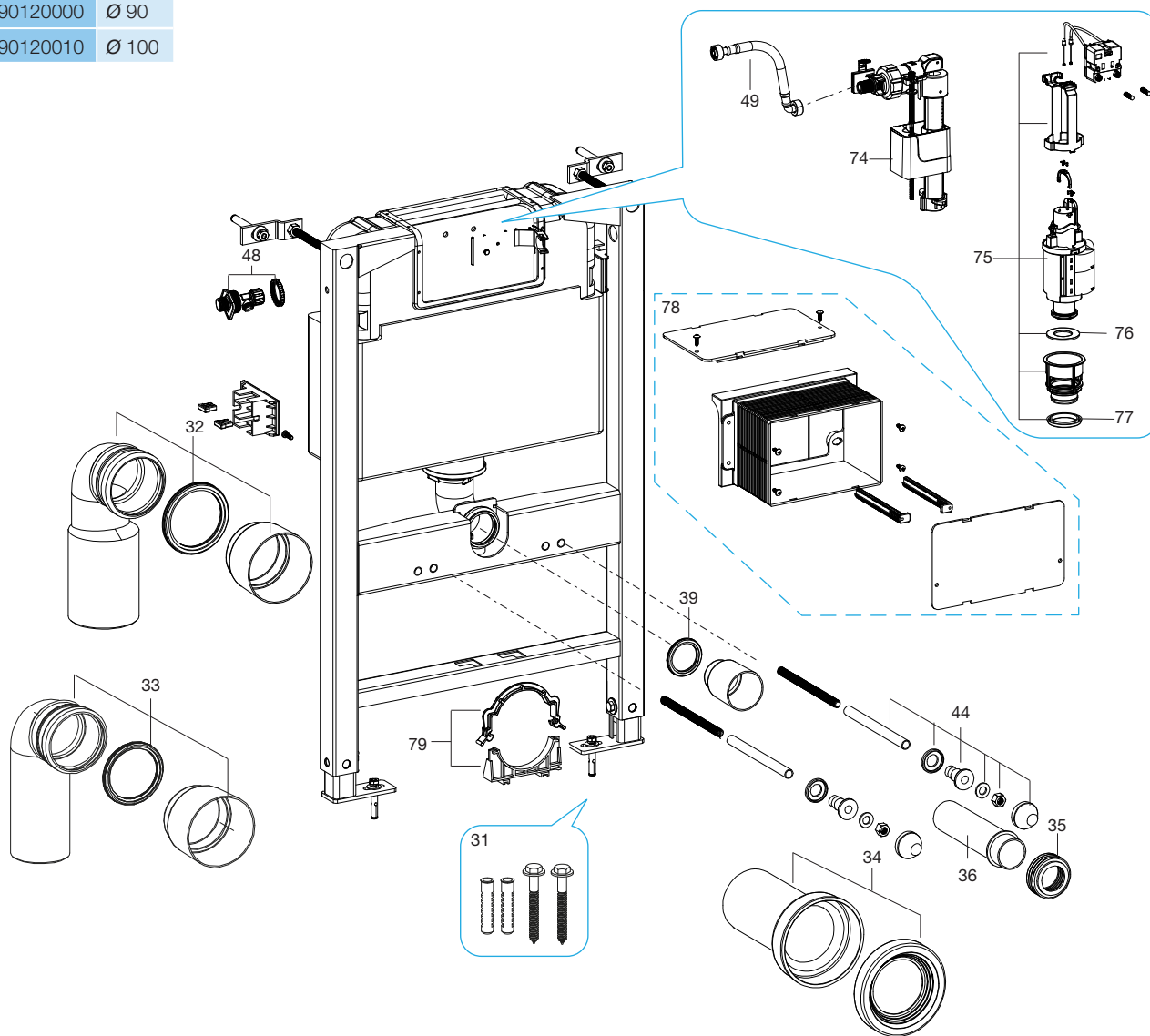


A890120000	Ø 90	Duplo WC L
A890120010	Ø 100	



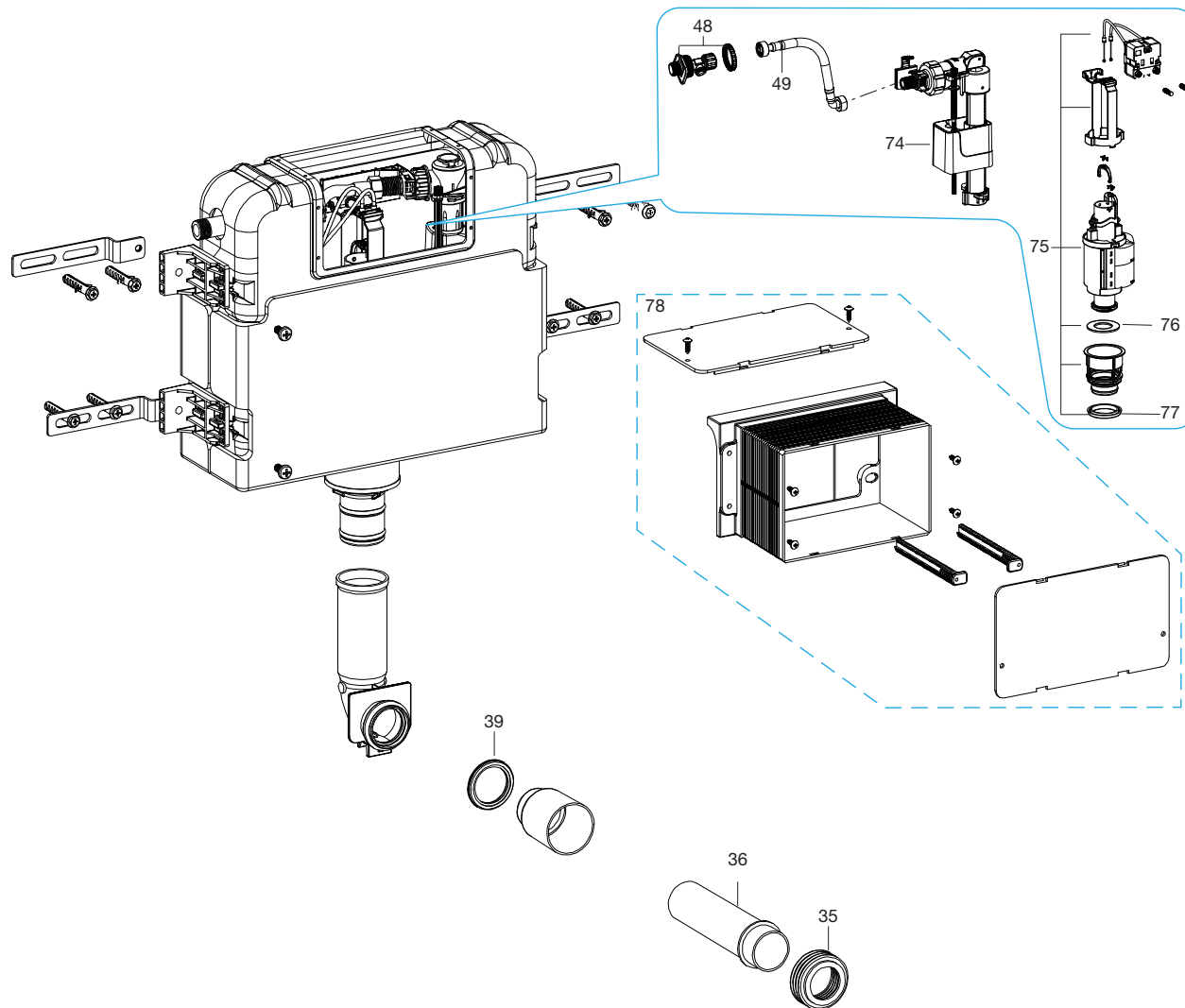
A890120200	Basic tank L
------------	--------------

A890120000	Ø 90
A890120010	Ø 100



31	AV0019500R	
32	AV0018800R	Ø110
33	AV0018900R	Ø90
34		
35	AV0018600R	
36		
35	AV0018700R	
39	AV0019200R	
44	x 2	AV0018500R
48	AV0017700R	
49	AV0017800R	
74	AV0029400R	
75	AV0031400R	
76	AV0031500R	
77		
78	AV0031600R	
79	AV0031700R	

A890120200



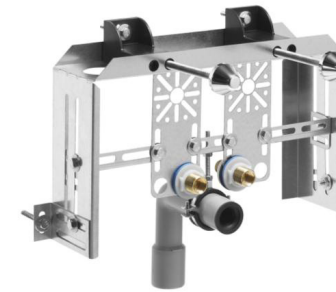
35	AV0018600R
36	AV0018700R
35	AV0018700R
39	AV0019200R
48	AV0017700R
49	AV0017800R
74	AV0029400R
75	AV0031400R
76	AV0031500R
77	AV0031500R
78	AV0031600R



A890090100	Ø 90	Basic WC System
A89009010K	Ø 100	

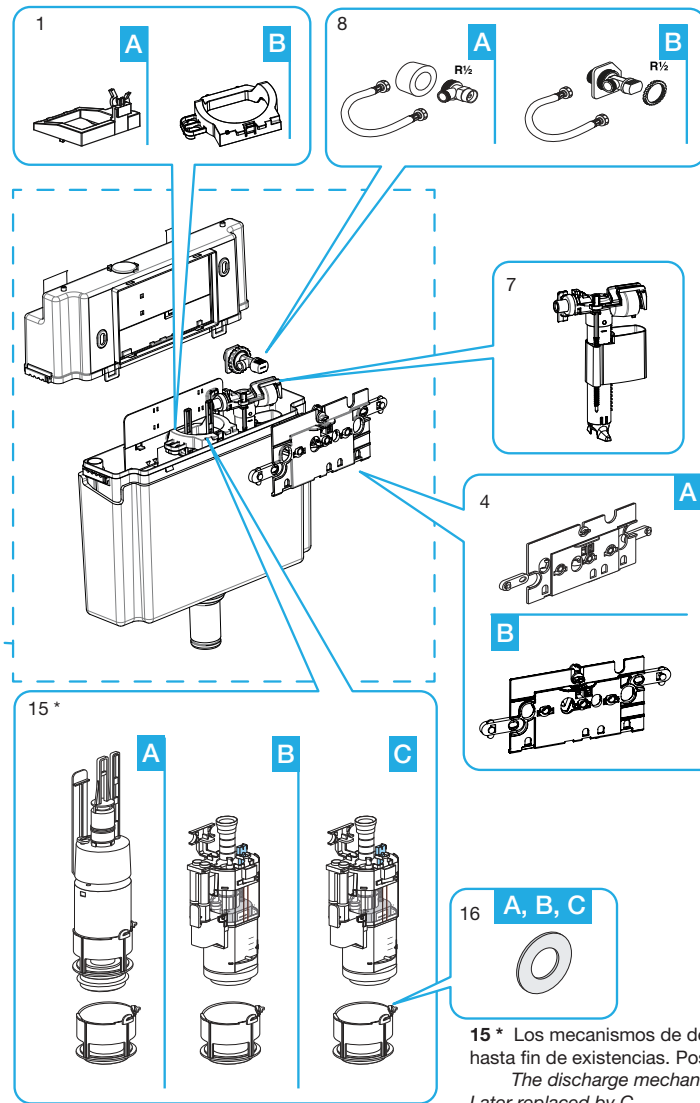
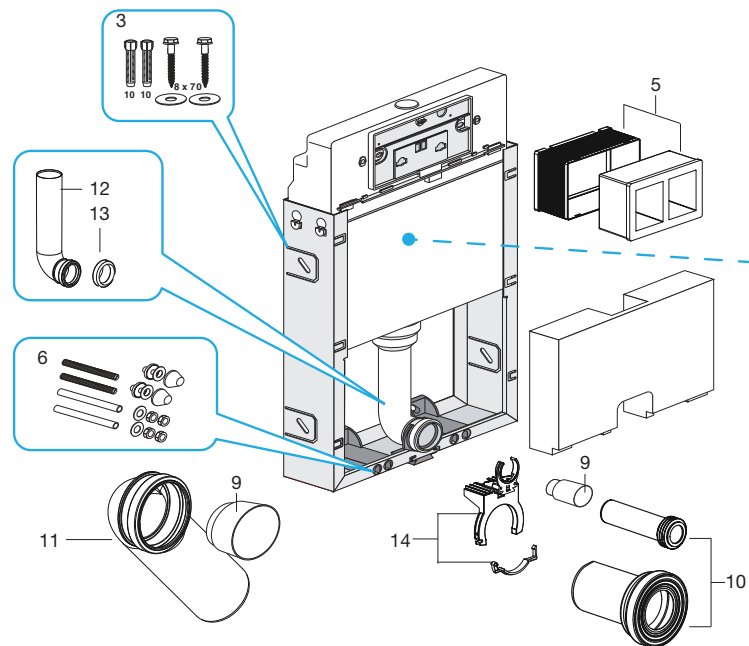
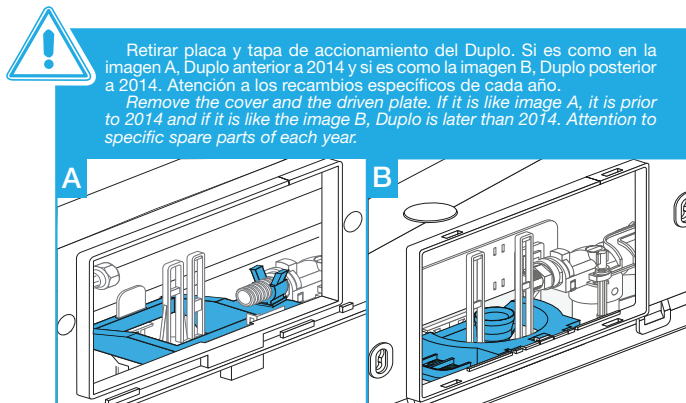


A890090200	Basic TK System
------------	-----------------



A890091100	Basic BD System
------------	-----------------

A890090100	Ø 90
A89009010K	Ø 100



1	AV0001800R	A
	AV0027600R	B
3	AV0001900R	
4	AV0011900R	A
	AV0025700R	B
5	AV0001200R	
6	AV0001000R	
7	AV0025600R	
8	AV0014600R	A
	AV0027400R	B
9	AV0012000R	
10	AV0002900R	
11	AV0001100R	D90-90
	AV0004800R	D90-110
12	AV0027300R	
13	AV0001400R	A
	AV0027500R	B
14	AV0003000R	
	AV0031100R	A
15*	AV0031200R	B
	AV0031300R	C
16	AV0025900R	A

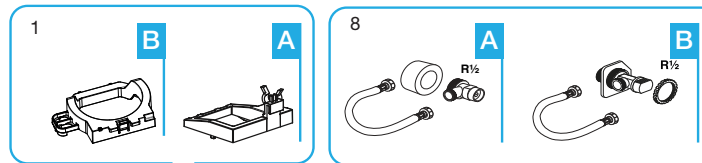
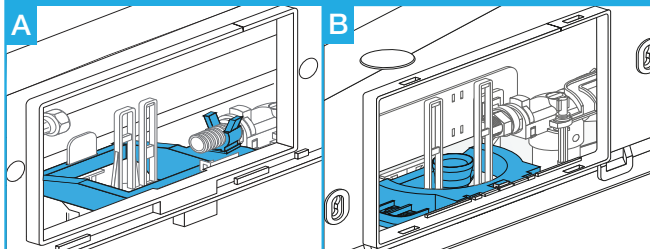
15 * Los mecanismos de descarga B anteriores a 2015, stock hasta fin de existencias. Posteriormente sustituido por C.
The discharge mechanism B before 2015, while stocks last. Later replaced by C.

A890090200

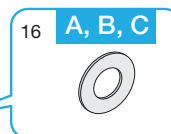
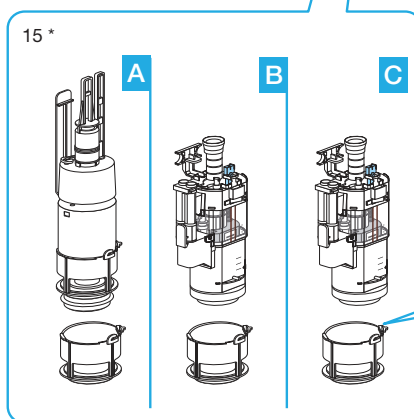
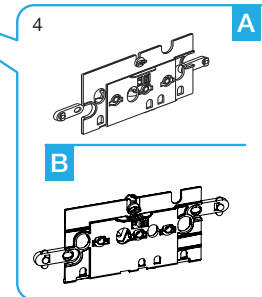
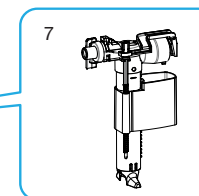
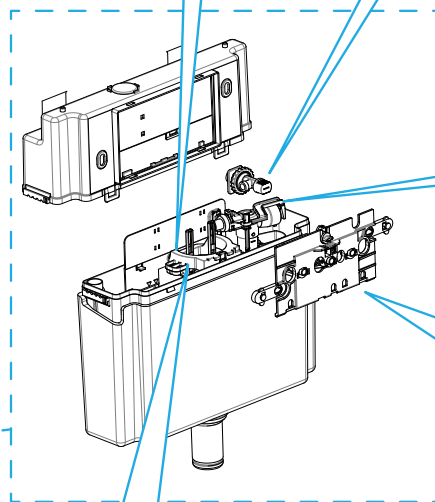


Retirar placa y tapa de accionamiento del Duplo. Si es como en la imagen A, Duplo anterior a 2014 y si es como la imagen B, Duplo posterior a 2014. Atención a los recambios específicos de cada año.

Remove the cover and the driven plate. If it is like image A, it is prior to 2014 and if it is like image B, Duplo is later than 2014. Attention to specific spare parts of each year.

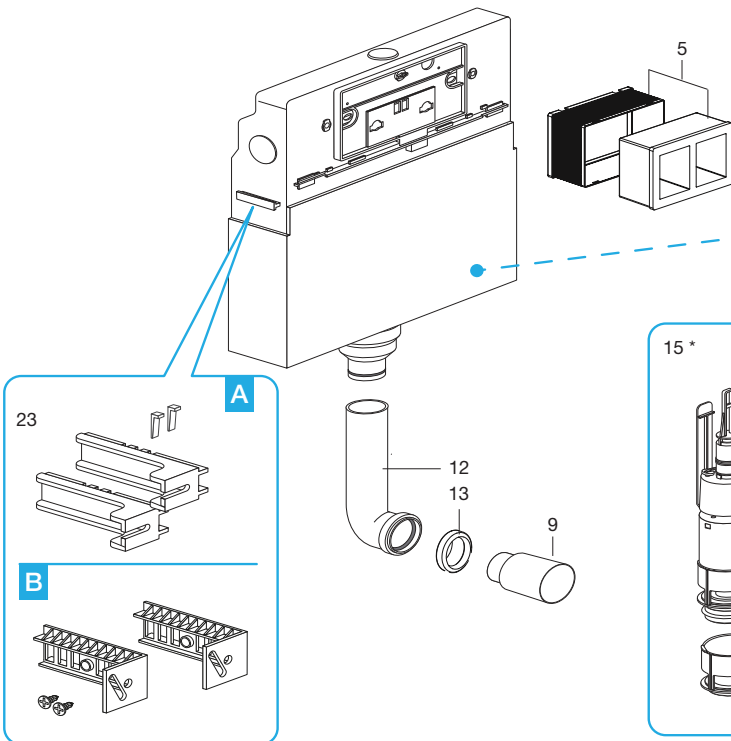


1	AV0001800R	A
	AV0027600R	B
4	AV0011900R	A
	AV0025700R	B
5	AV0001200R	
7	AV0025600R	
8	AV0014600R	A
	AV0027400R	B
9	AV0012000R	
12		
13	AV0027300R	
	AV0001400R	A
13	AV0027500R	B
	AV0031100R	A
15*	AV0031200R	B
	AV0031300R	C
16	AV0025900R	
	AV0001600R	A
23	AV0032000R	B



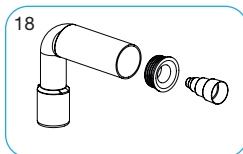
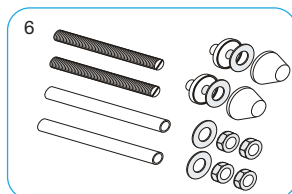
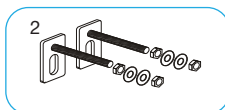
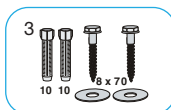
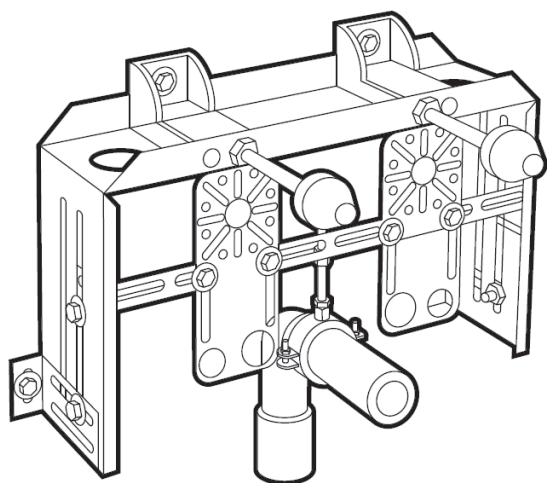
15* Los mecanismos de descarga B anteriores a 2015, stock hasta fin de existencias. Posteriormente sustituido por C.

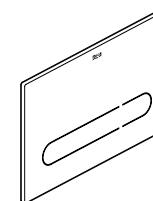
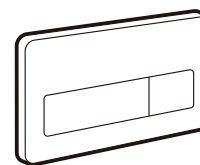
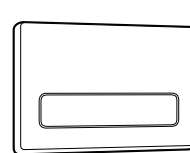
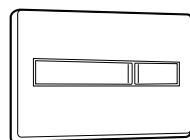
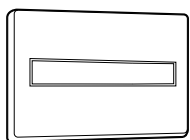
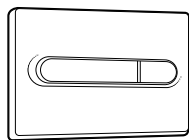
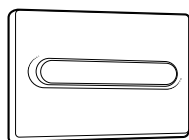
The discharge mechanism B before 2015, while stocks last. Later replaced by C.



A890091100

2	AV0011800R
3	AV0001900R
6	AV0001000R
18	AV0002600R



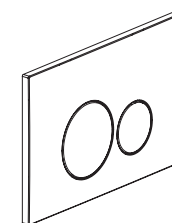
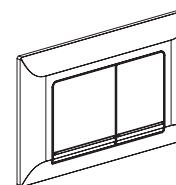
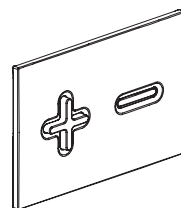
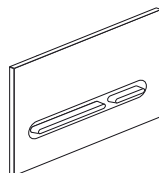
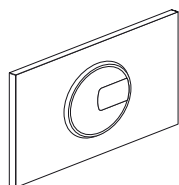


PL1			
Single	A890095100	Blanca	White
Dual	A890095000	Blanca	White
	A890095001	Cromada brillo	Shine chrome
	A890095002	Lacada gris	Matt
	A890095005	Combi*	

PL2			
Single	A890096100	Blanca	White
Dual	A890096000	Blanca	White
	A890096001	Cromada brillo	Shine chrome
	A890096002	Lacada gris	Matt
	A890096005	Combi*	

PL3 ANTIVANDÁLICA PL3 Vandalproof Acero Inoxidable / Stainless steel		
Single	A890097104	
Dual	A890097004	
Dual	A890097200	6/3L
Electrónica	A890097400	6/3, 4.5/3, 4/2 L

EP-1 DUAL ELECTRONICA/ Electronic	
A890102008	



PL4 DUAL		
A890098001	Cromada	Chrome
A890098005	Combi*	
A890098002	Lacada gris	Matt
A890098000	Blanca	White

PL5 DUAL		
A890099001	Cromada	Chrome
A890099005	Combi*	
A890099002	Lacada gris	Matt
A890099000	Blanca	White

PL6 DUAL		
A890085001	Cromada	Chrome
A890085005	Combi*	
A890085002	Lacada gris	Matt
A890085000	Blanca	White

L1 DUAL		
A890086001	Cromada	Chrome
A89008602	Lacada gris	Matt
A890086000	Blanca	White

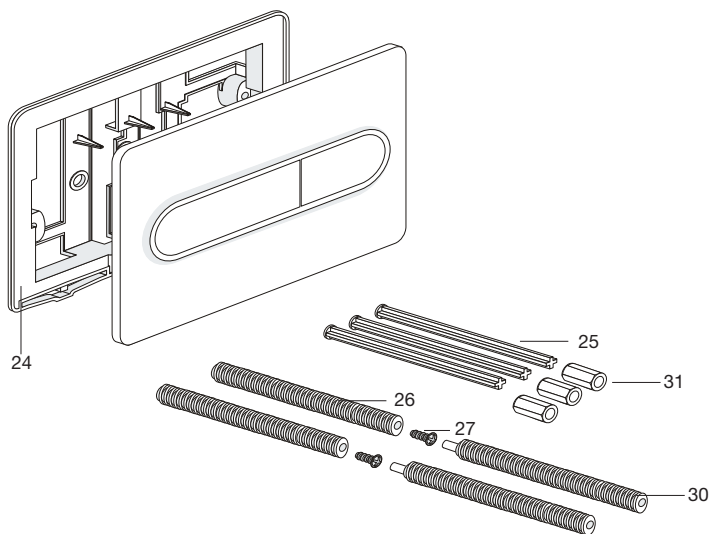
L2 DUAL		
A890087001	Cromada	Chrome
A890087004	Acero Inoxidable	Stainless steel

Combi*: Placa blanca y pulsadores lacados gris / White plate & push-buttons matt.

PL1 SINGLE	PL2 SINGLE
A890095100	A890096100

PL1 DUAL	PL2 DUAL
A890095000	A890096000
A890095001	A890096001
A890095002	A890096002
A890095005	A890096005

PL4 DUAL	PL6 DUAL
A890098001	A890085001
A890098005	A890085005
A890098002	A890085002
A890098000	A890085000

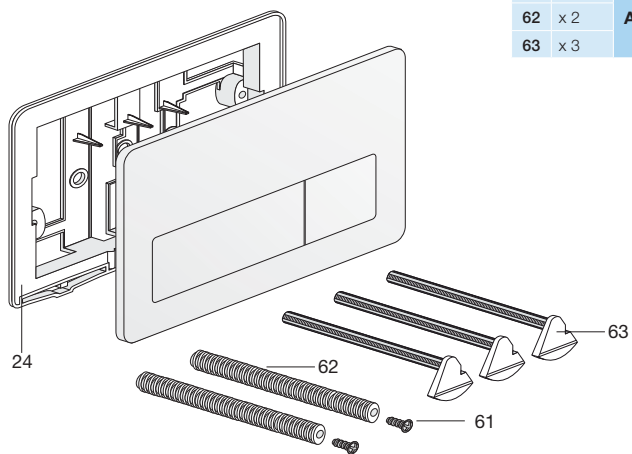


24		AV0000700R
25	x 3	AV0000900R
26	x 2	
27	x 2	AV0026000R <i>Extra-long rods</i>
25	x 3	
26	x 2	
27	x 2	
30	x 2	
31	x 3	

PL3 SINGLE
A890097104

PL3 DUAL
A890097004

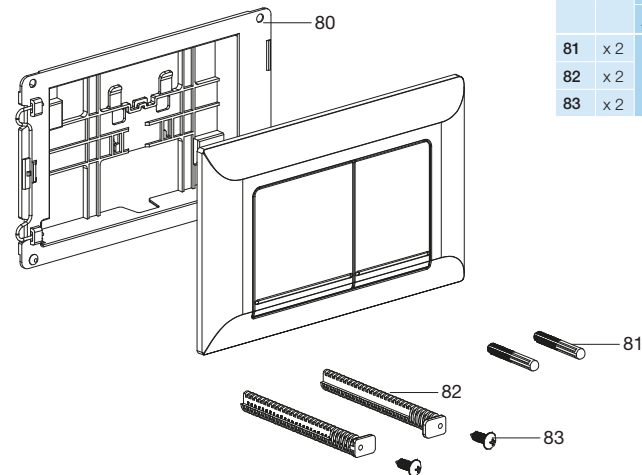
PL5 DUAL
A890099001
A890099005
A890099002
A890099000



24		AV0000700R
61	x 2	AV0000800R
62	x 2	
63	x 3	

L1 DUAL
A890086001
A89008602
A890086000

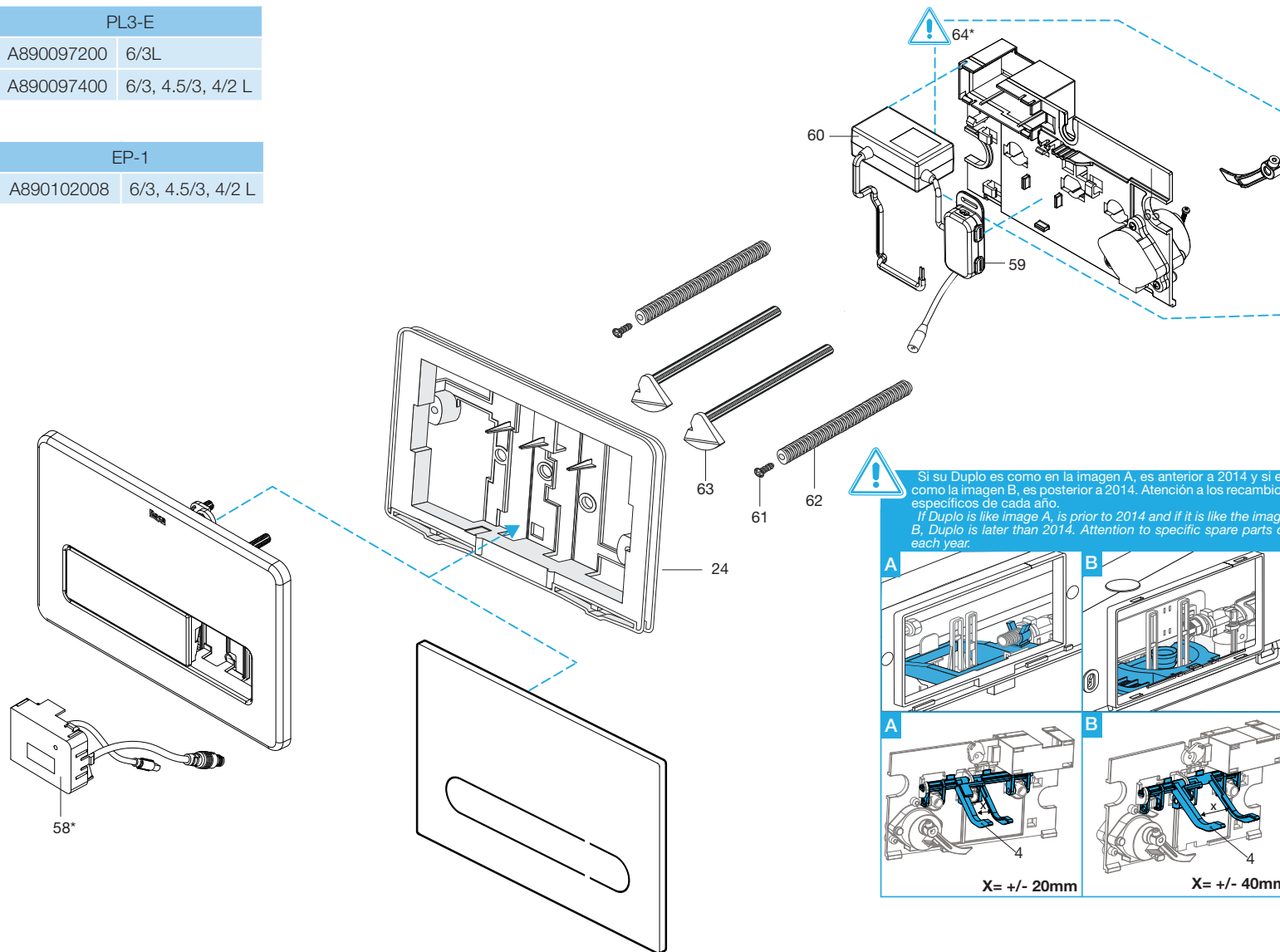
L2 DUAL
A890087001
A890087004



80		AV0027800R	L1
		AV0029000R	L2
		AV0030000R	L2 inox
81	x 2	AV0027700R	
82	x 2		
83	x 2		

PL3-E	
A890097200	6/3L
A890097400	6/3, 4.5/3, 4/2 L

EP-1	
A890102008	6/3, 4.5/3, 4/2 L

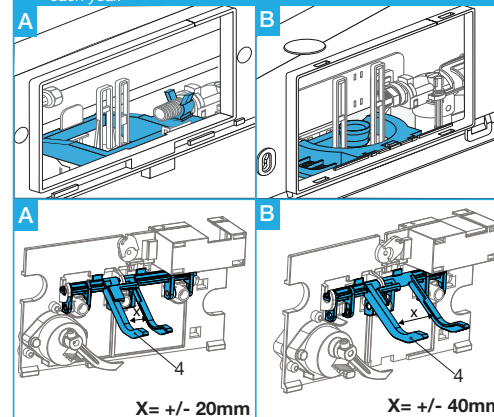


4	AV0011900R	A
	AV0025700R	B
24	AV0000700R	
58*	AV0021200R	A
	AV0033500R	A ó B
59	AG0103407R	
60	AG0093507R	
61	x 2	
62	x 2	AV0000800R
63	x 3	
64*	AV0021300R	A
	AV0031800R	A ó B
65	AV0021400R	

58/64* Los recambios A anteriores a 2015, stock hasta fin de existencias. Posteriormente sustituido por B.

The spare parts A before 2015, while stocks last. Later replaced by B.

! Si su Duplo es como en la imagen A, es anterior a 2014 y si es como la imagen B, es posterior a 2014. Atención a los recambios específicos de cada año.
! If Duplo is like image A, is prior to 2014 and if it is like the image B, Duplo is later than 2014. Attention to specific spare parts of each year.



Versión <i>Version</i>	Fecha <i>Date</i>	Página <i>Page</i>	Modificación <i>Update</i>
a	2012/06/22	TODAS <i>All</i>	Creación Manual Recambios Ris IN-WALL <i>Release Spare Part Manual Ris IN-WALL</i>
b	2013/03/25	3-6	Se añaden modelos COMPACT y se actualiza nombre Ris DUPLO <i>COMPACT models added, and update name Ris DUPLO</i>
c	2013/09/27	18	Se añade placa PL3-E Ris DUPLO <i>Command plate PL3-E added Ris DUPLO</i>
d	2014/07/10	7-8, 12-14, 17	Actualización recambios Ris DUPLO <i>Spare parts update Ris DUPLO</i>
e	2015/09/04	8, 12-16,18-19, 21-23	Nuevos modelos y actualización / <i>New models & update</i> Duplos UR, Duplo WC L, PL-3, PL-4, PL-5, PL-6, L1, L2, EP-1
f	2015/11/11	8, 13, 15,18-19, 21, 23	Actualización recambios Ris DUPLO <i>Spare parts update Ris DUPLO</i>



Roca Sanitario, S.A.
Avda. Diagonal, 513
08029 Barcelona
SPAIN
www.roca.com

**902
304
848** 
**LÍNEA DE
ATENCIÓN AL
CONSUMIDOR
ESPAÑA**

**902
400
423** 
**SERVICIO
TÉCNICO
ESPAÑA**



productsupport.rs@roca.net
soporteproducto.rs@roca.net