

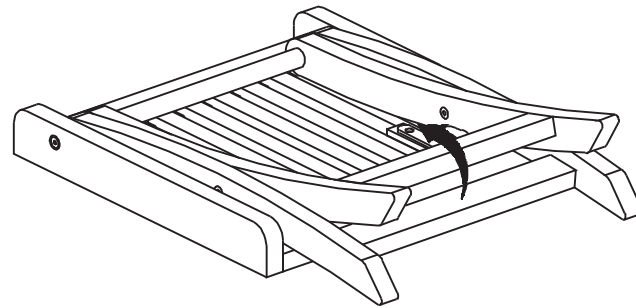
ASSEMBLY INSTRUCTIONS

DT/2018

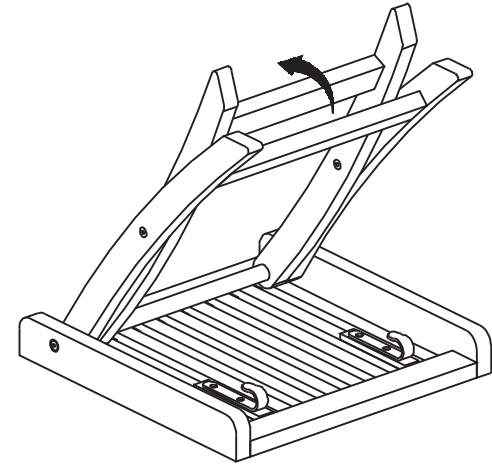


HARDWARE

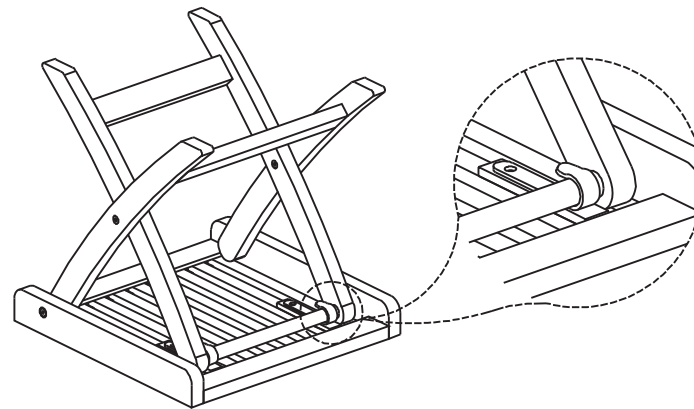
①



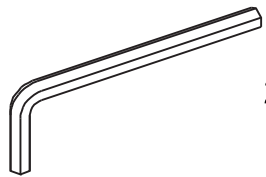
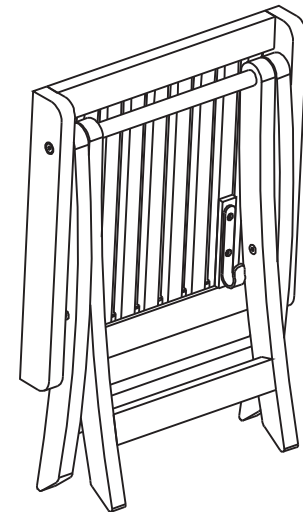
②



③



④



2 Pcs