

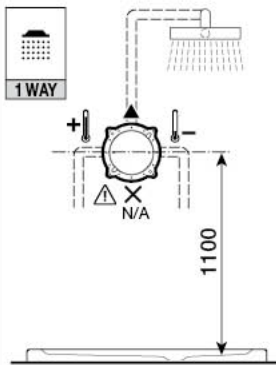
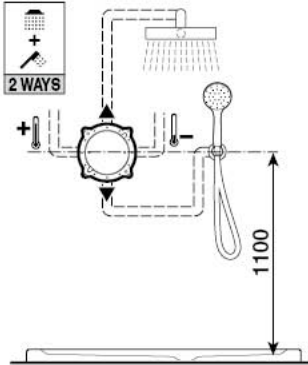
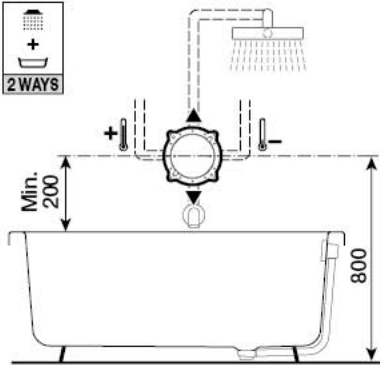
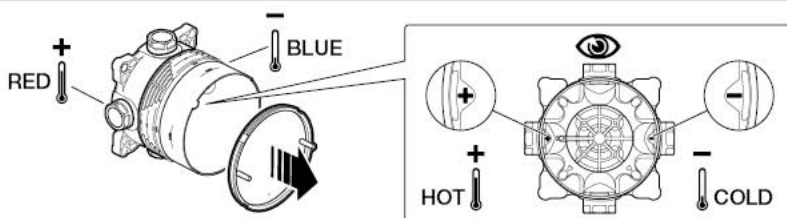
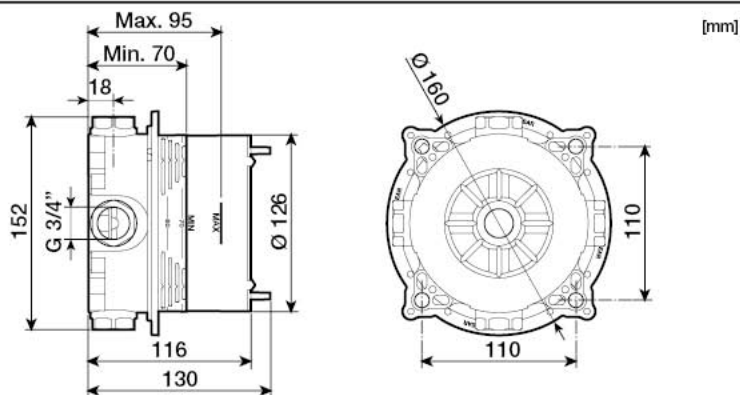
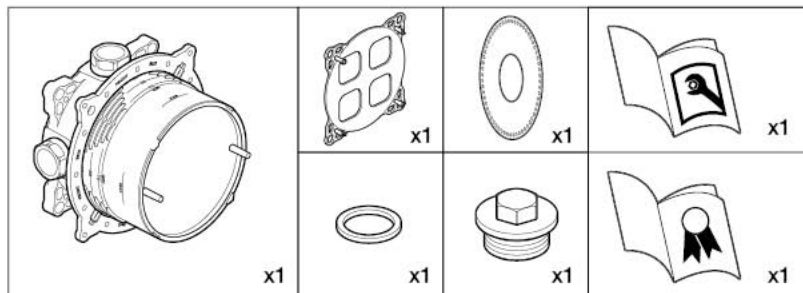


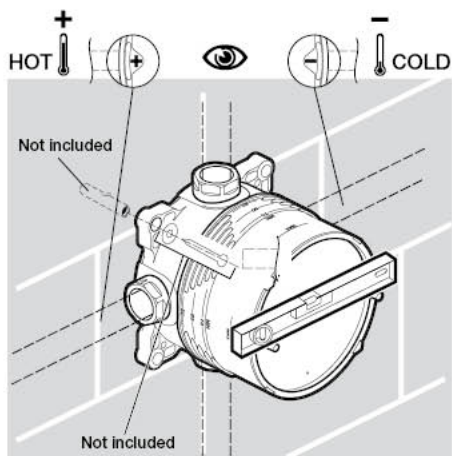
Roca

BOX UNIVERSAL

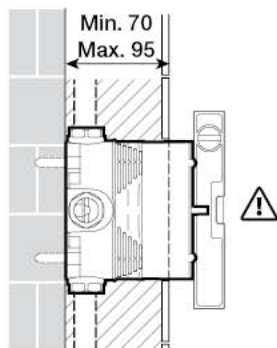
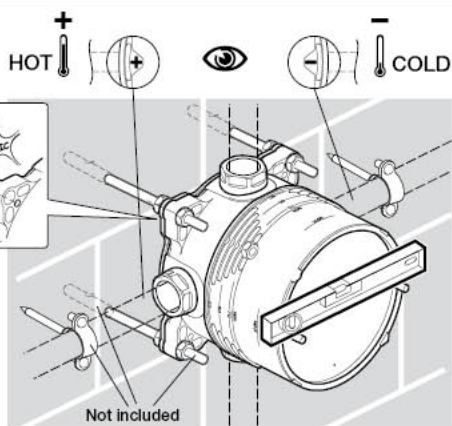
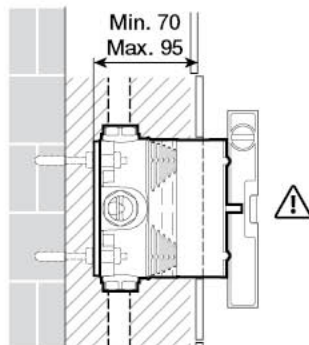
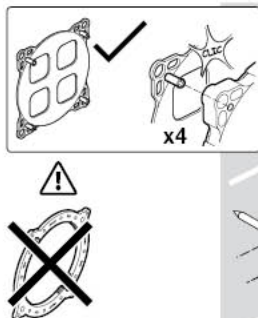
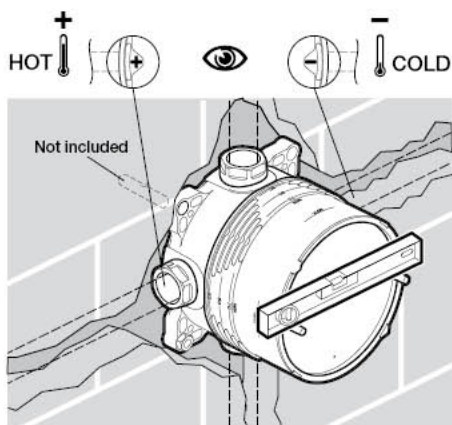
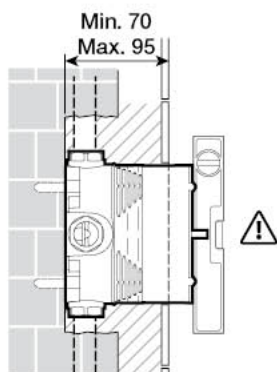
A525869403

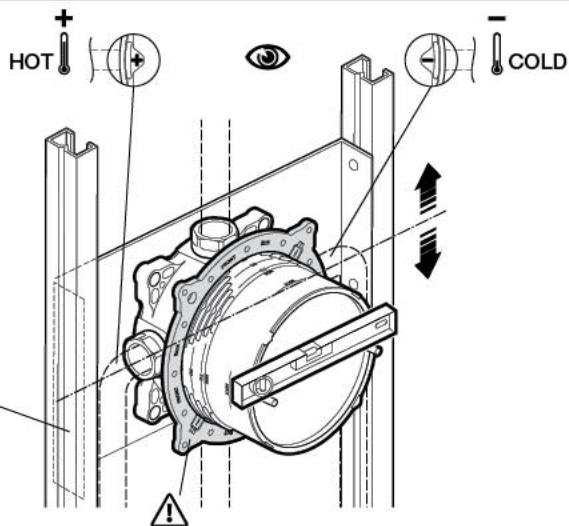




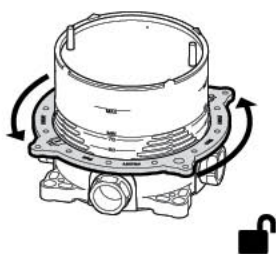
**A**

[mm]

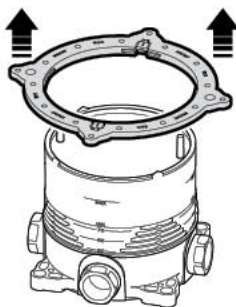
Min. 70
Max. 95**B**Min. 70
Max. 95**C**Min. 70
Max. 95



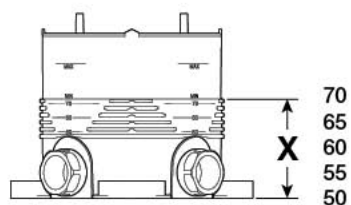
1



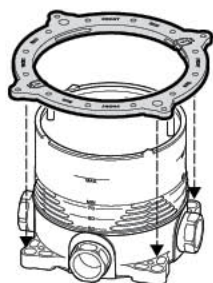
2



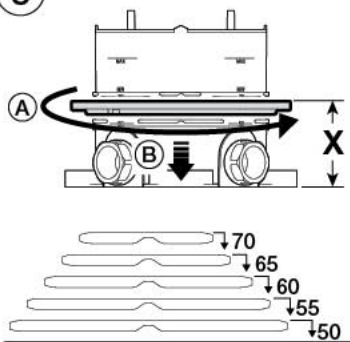
3



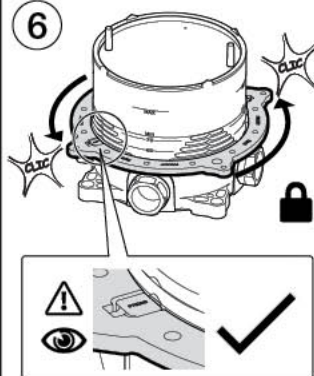
4

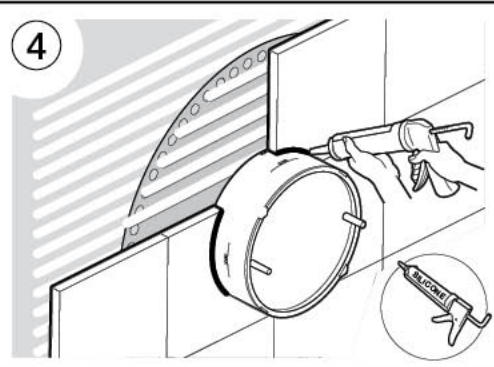
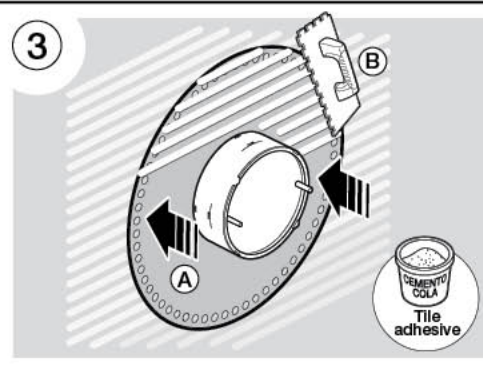
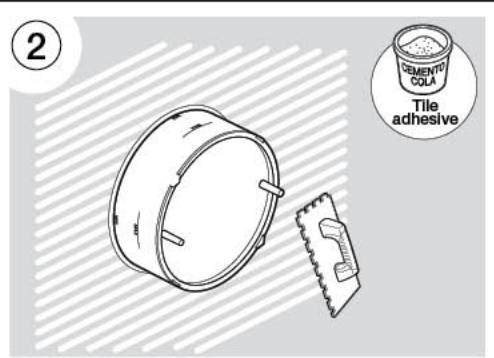
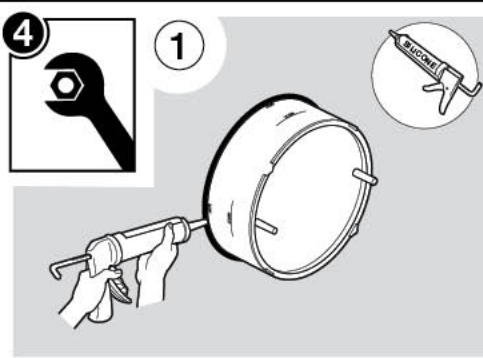
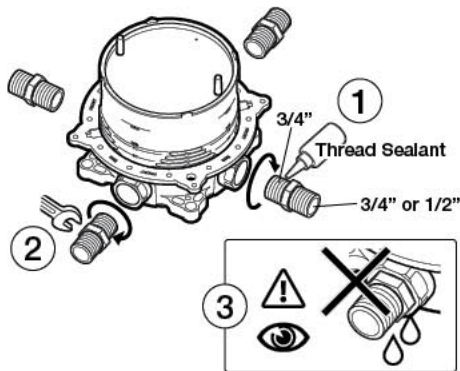
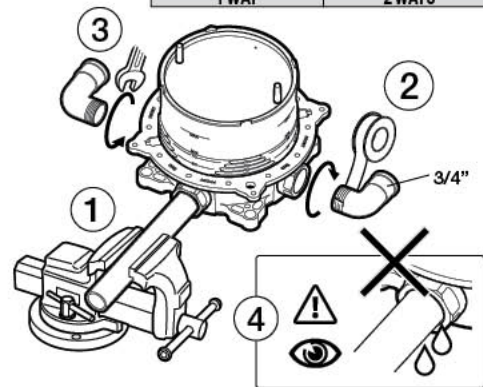
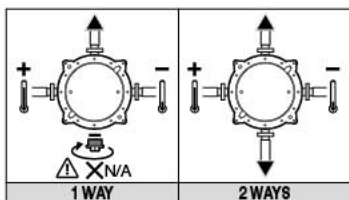
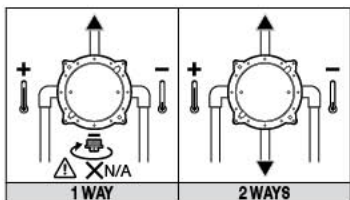
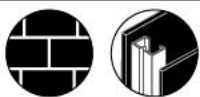


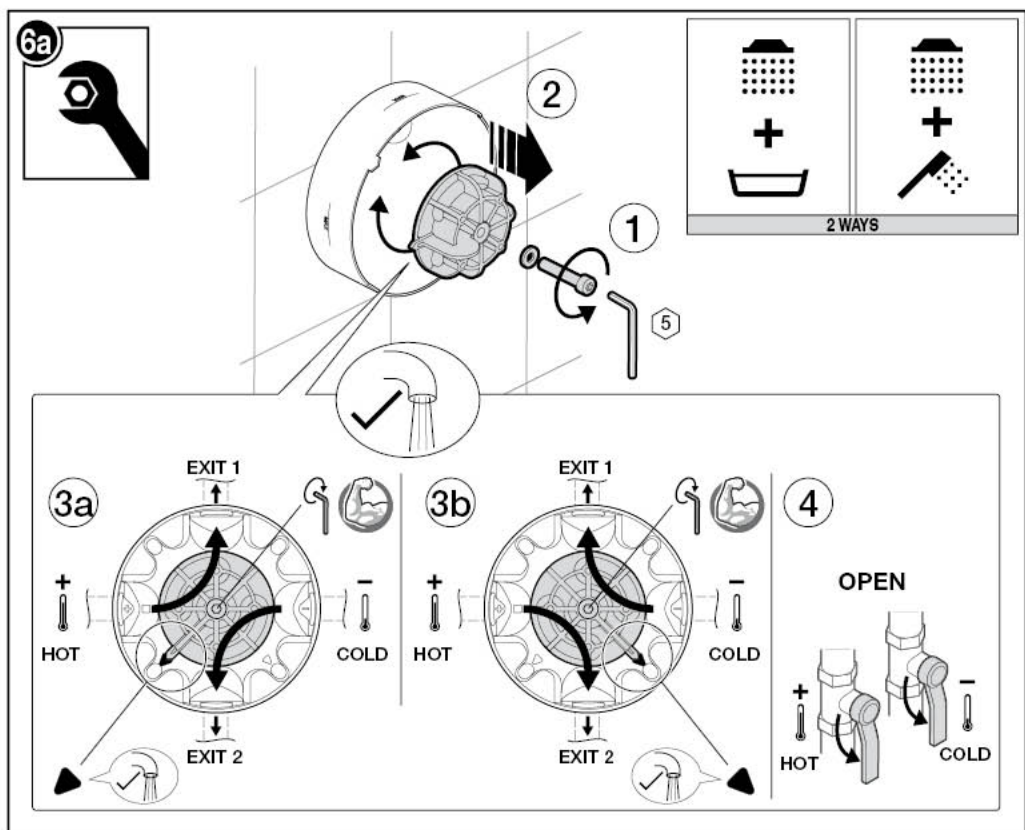
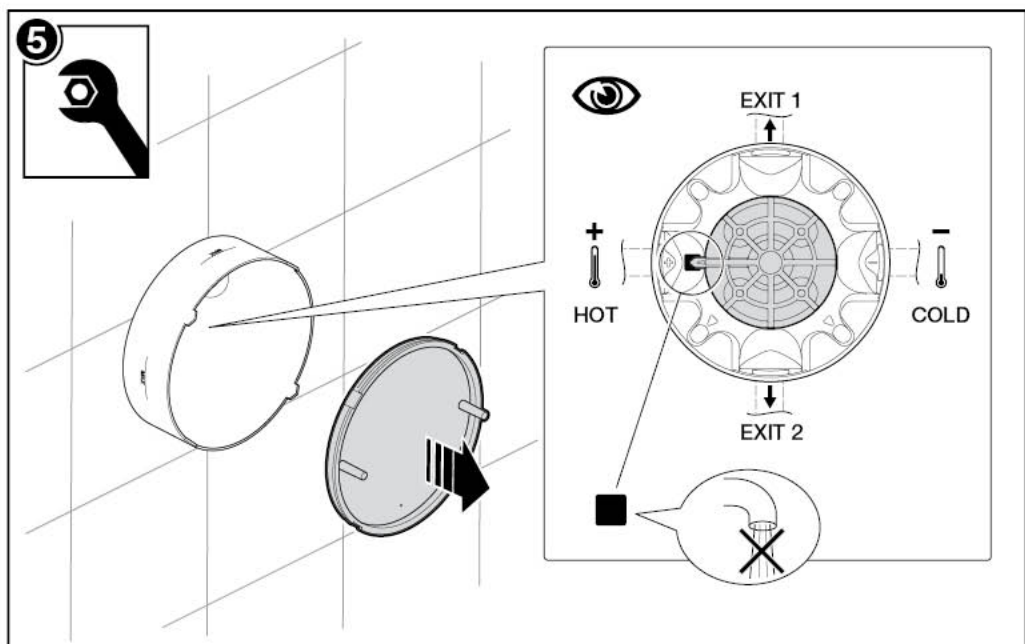
5

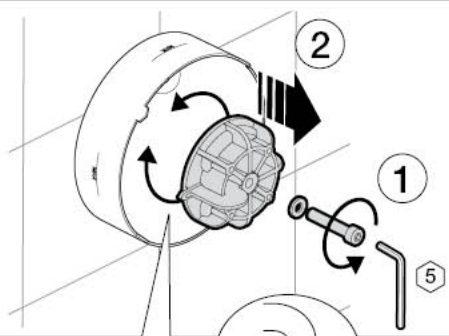


6

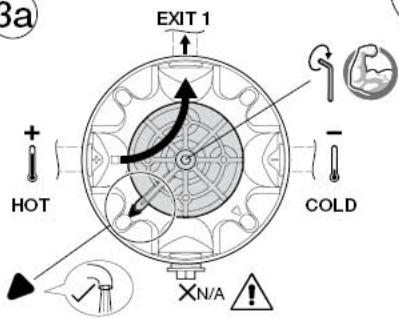




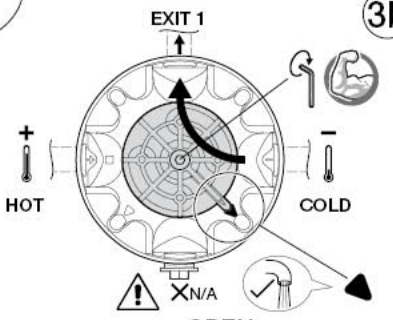




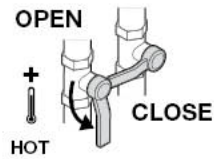
3a



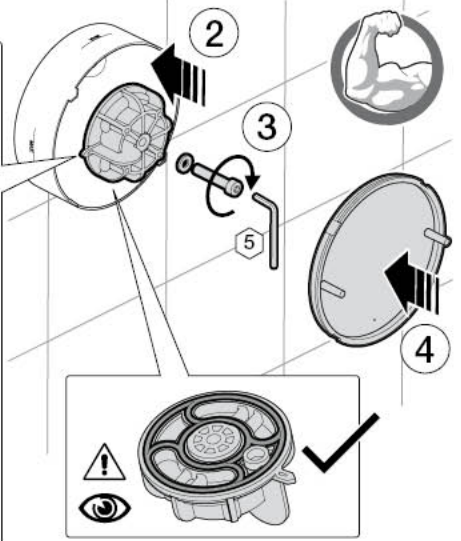
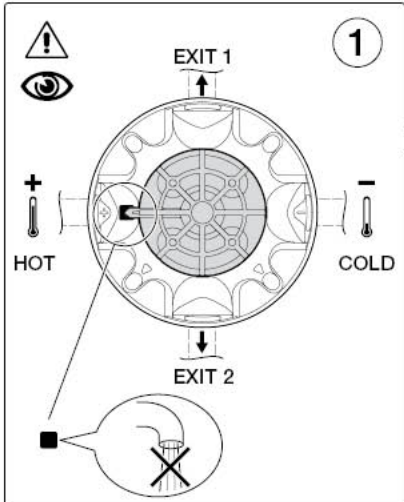
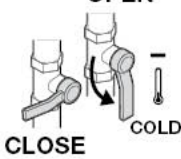
3b

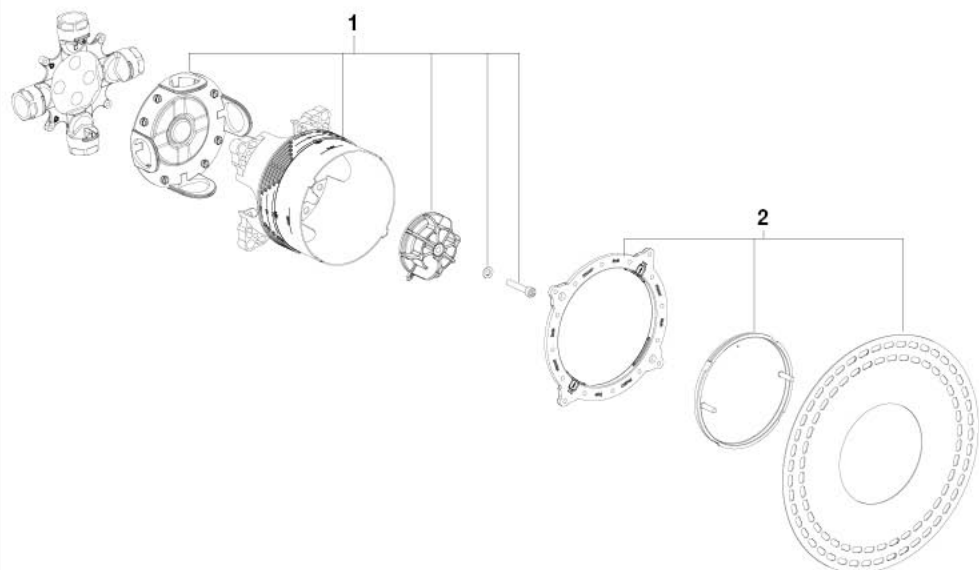


4a



4b



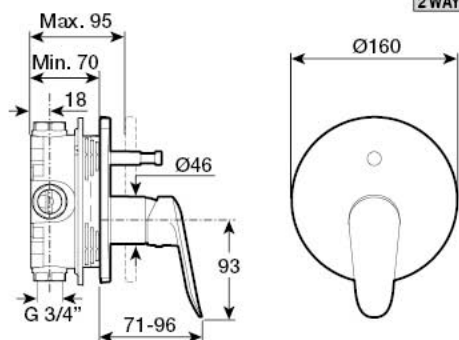


1	AG0119900R
---	------------

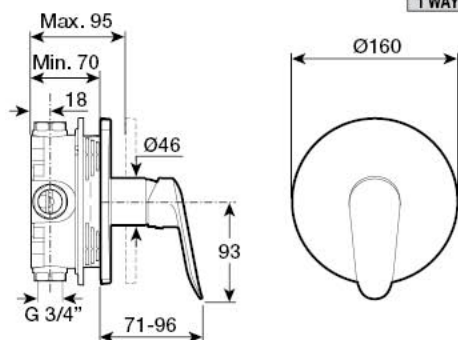
2	AG0120000R
---	------------

LOGICA

A5A0B27..0

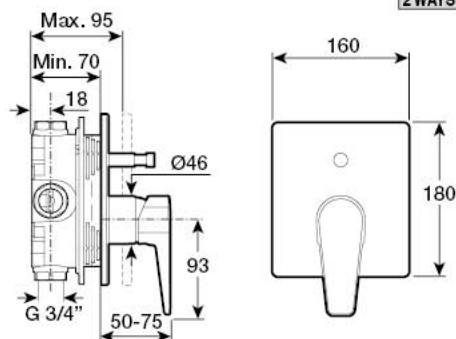


A5A2B27..0

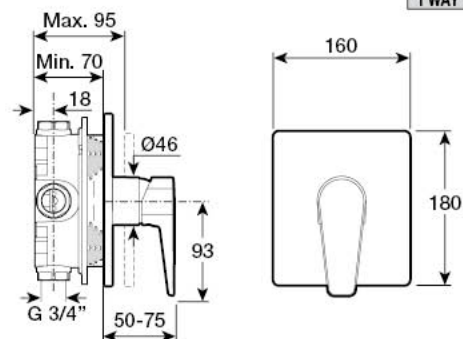


ESMAI

A5A0B31..0

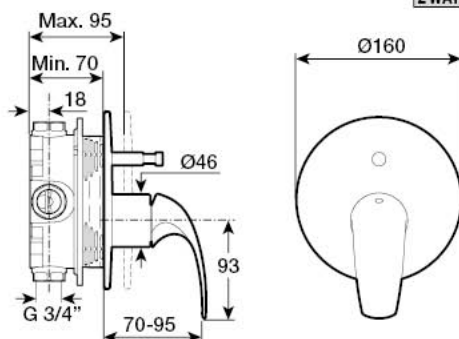


A5A2B31..0

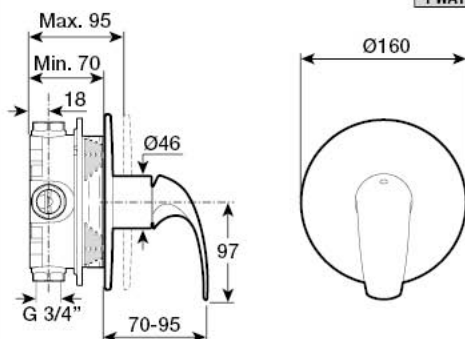


M2

A5A0B68..0

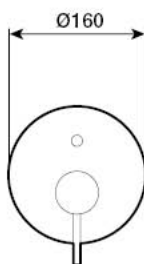
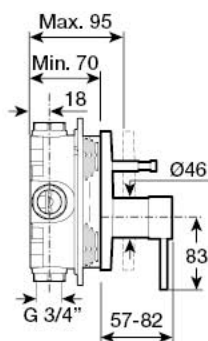


A5A2B68..0

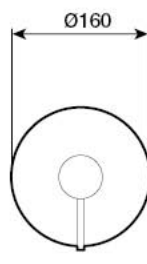
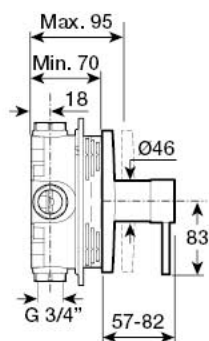


LANTA

A5A0B11..0

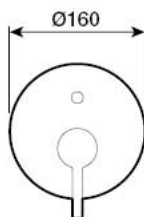
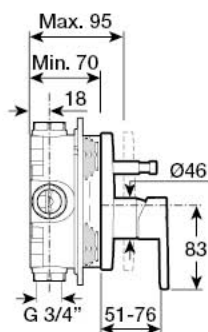


A5A2B11..0

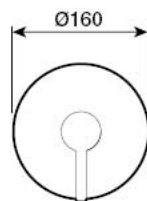
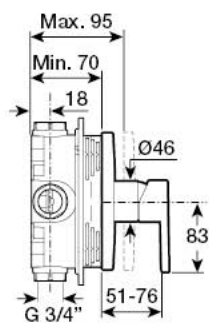


NAIA

A5A0B96..0

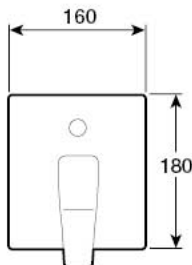
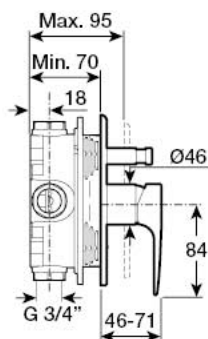


A5A2B96..0

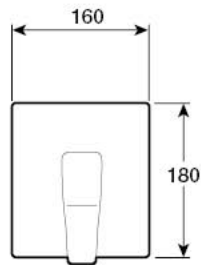
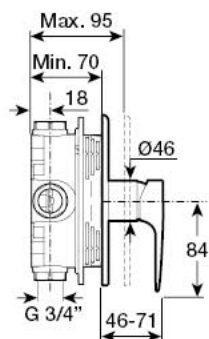


THESIS

A5A0B50..0

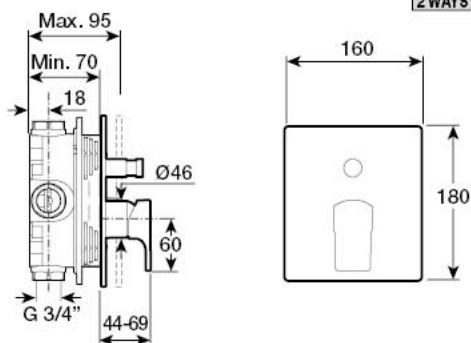


A5A2B50..0

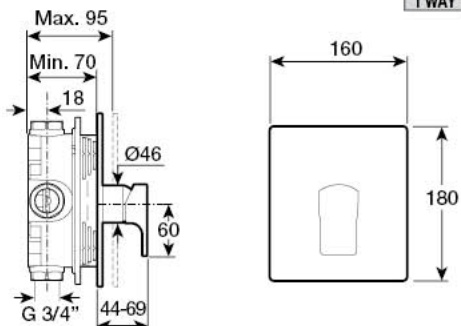


L90

A5A0B01..0

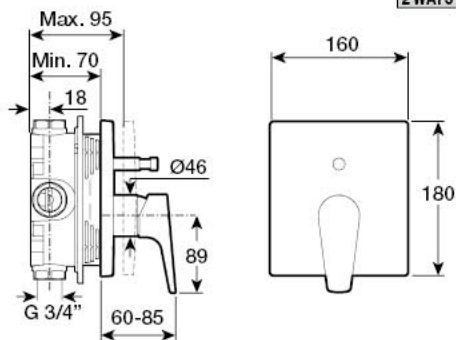


A5A2B01..0

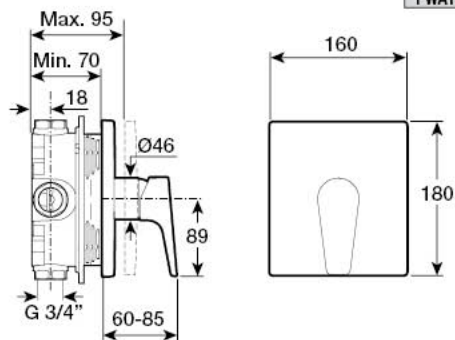


ATLAS

A5A0B90..0

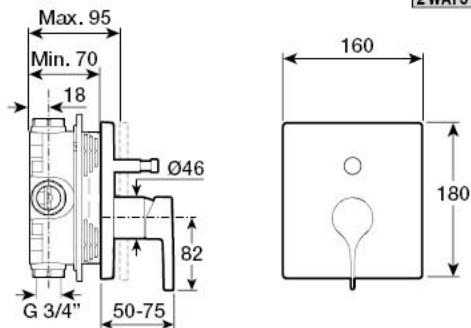


A5A2B90..0

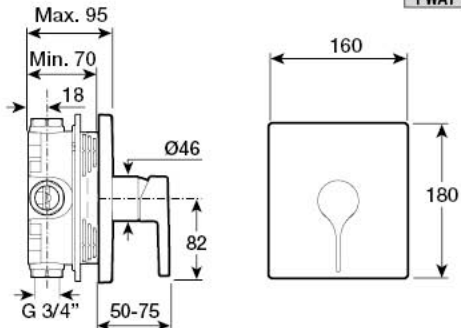


INSIGNIA

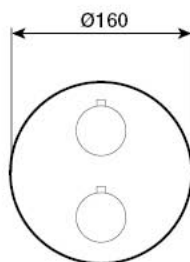
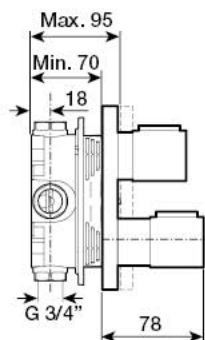
A5A0B3A..0



A5A2B3A..0



T1000



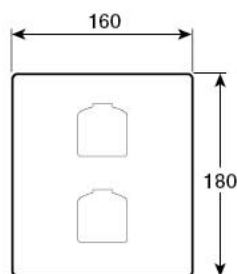
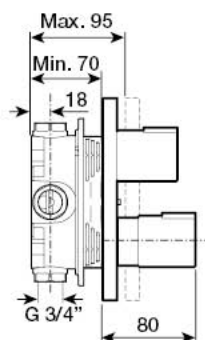
A5A0C09..0



A5A2C09..0



L90-T

















A5A0C01..0



A5A2C01..0



 P 	P bar	 MAX 10	TEST  16
 P 	P bar	MIN 1  5 MAX	3  2 
  T	°C	 -80 MAX.	 65 50 

A523094407e

Roca

Roca Sanitario, S.A.
Avda. Diagonal, 513
08029 Barcelona
SPAIN
www.roca.com

933 661 266 LÍNEA DE ATENCIÓN AL CONSUMIDOR ESPAÑA 
SERVICIO TÉCNICO ESPAÑA 


productsupport.rs@roca.net
soporteproducto.rs@roca.net