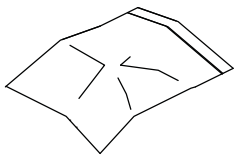
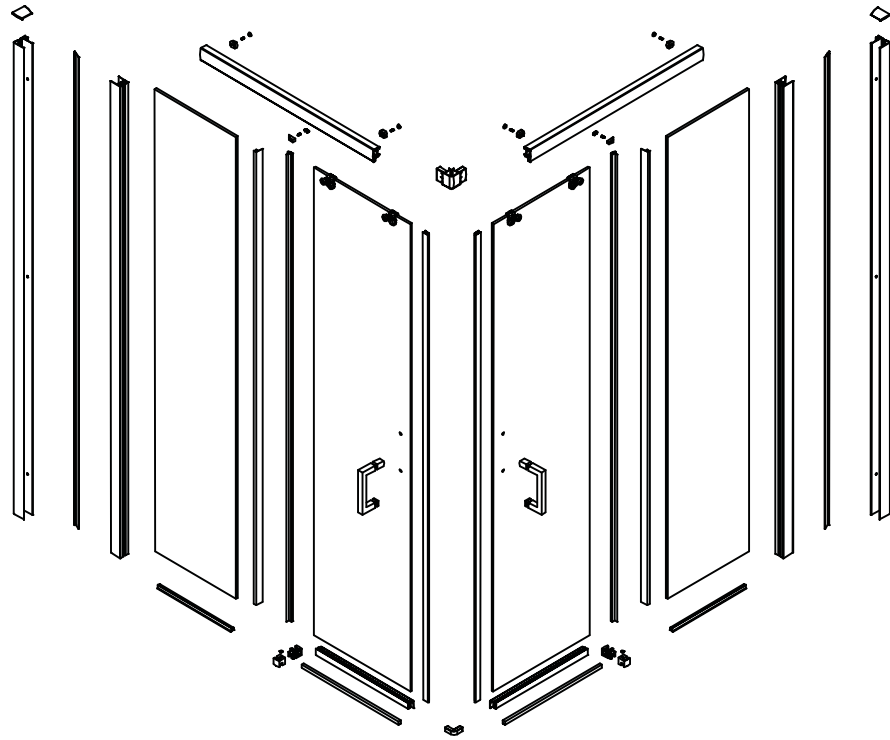
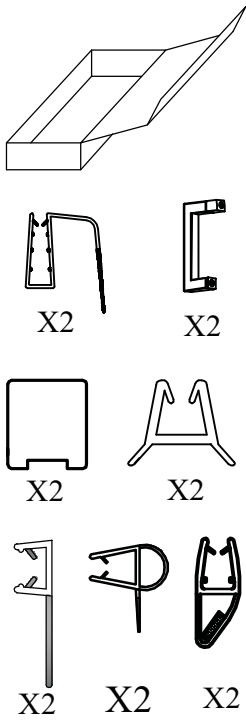


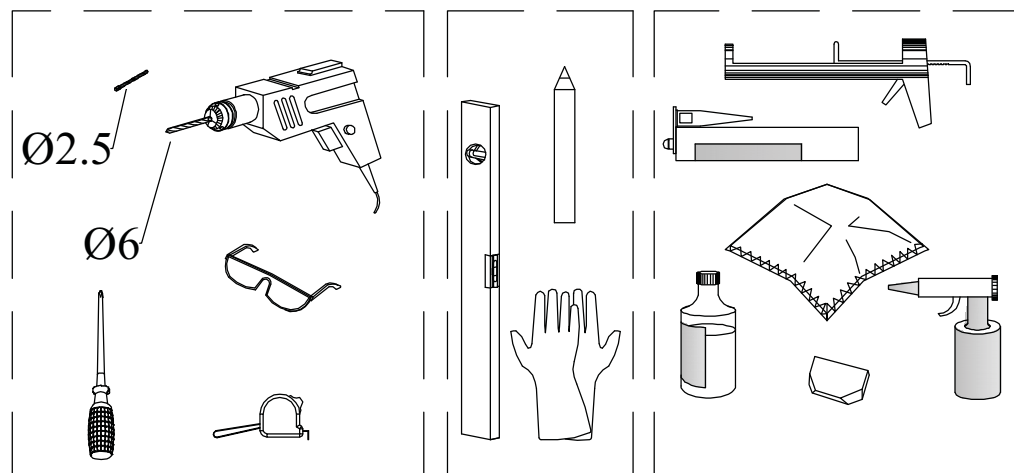
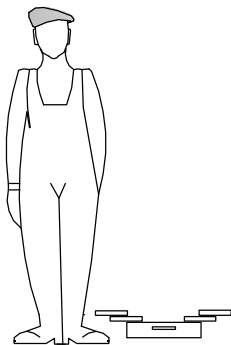
**E** INSTRUCCIONES DE MONTAJE  
**F** INSTRUCTIONS DE MONTAGE  
**GB** INSTALLATION INSTRUCTIONS

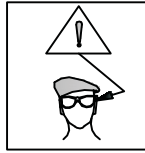
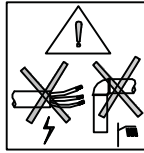
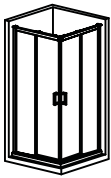
**I** INTRUZIONI DI MONTAGGIO  
**P** INSTRUCAO DE MONTAGEM

**MK20S01**

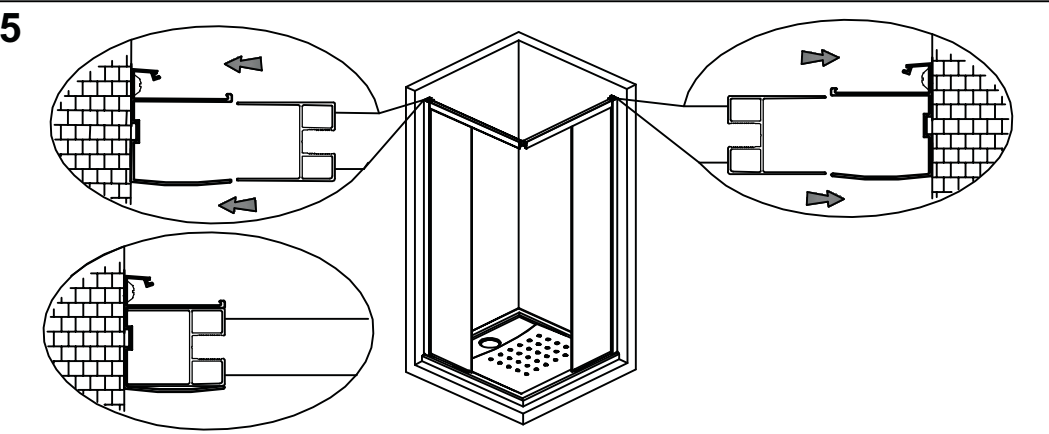
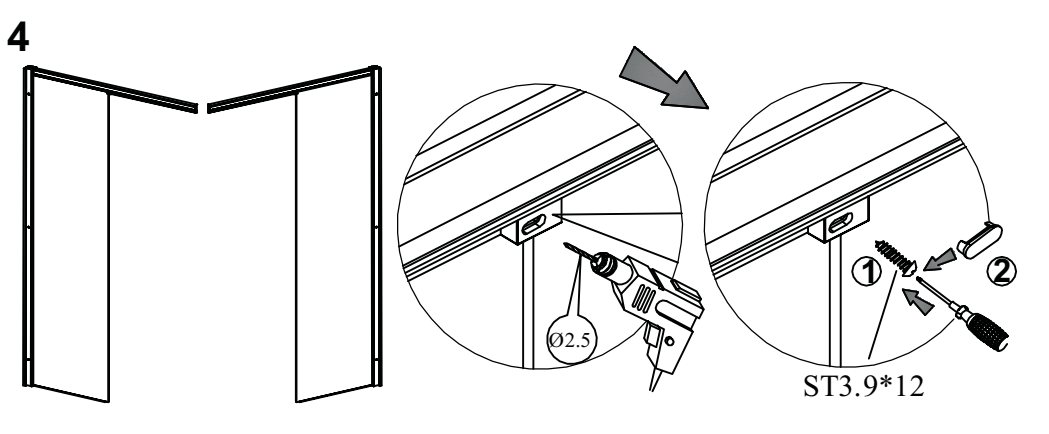
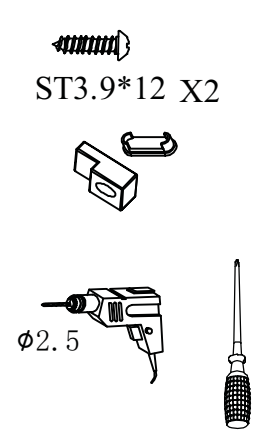
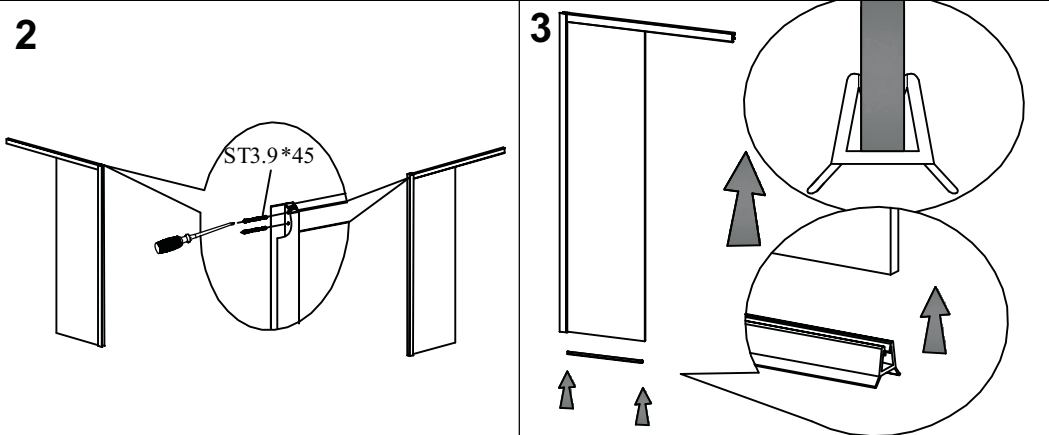
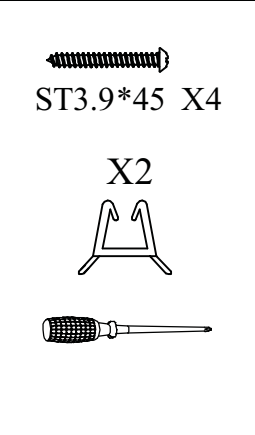
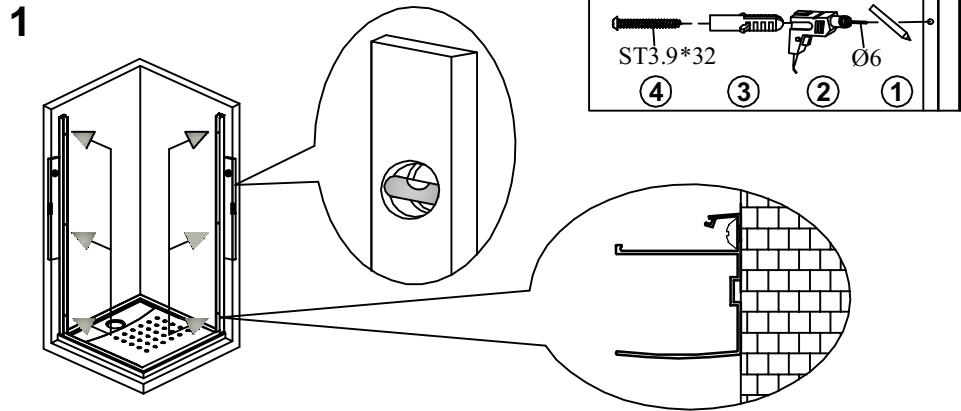
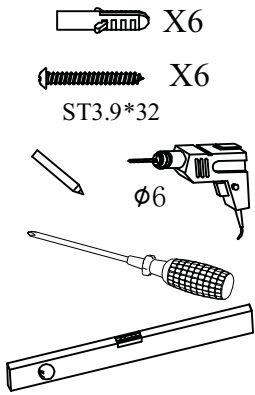


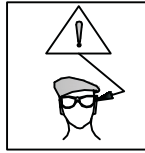
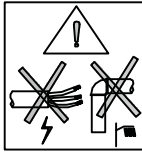
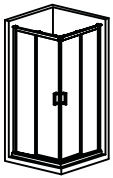
X6 Ø6	X8 ST3.9*12	X1 L	X1
X6 ST3.9*32	X1	X1 R	X1 2.5#
X4 ST3.9*45	X4	X1 R	X1 Ø2.5
X6 ST3.9*12	X2	X1 L	X2



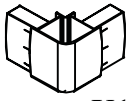


MK20S01





MK20S01



X1



X2



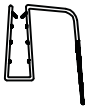
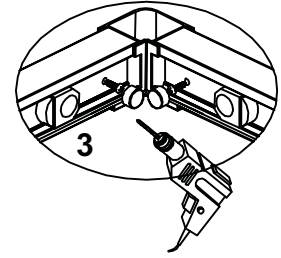
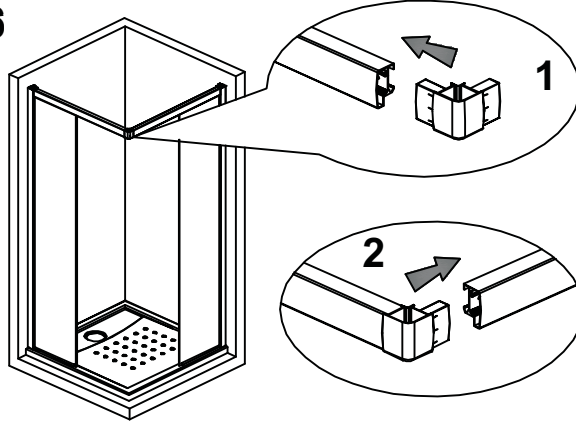
ST3.9\*12 X2



φ2.5



6



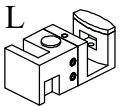
X2



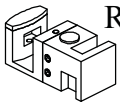
X2



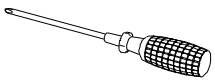
X2



X1

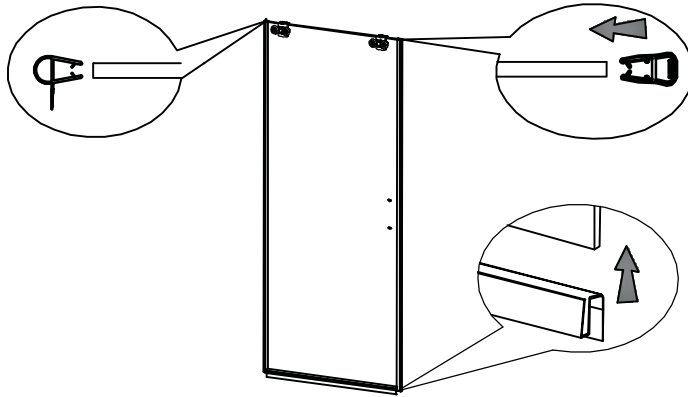


X1

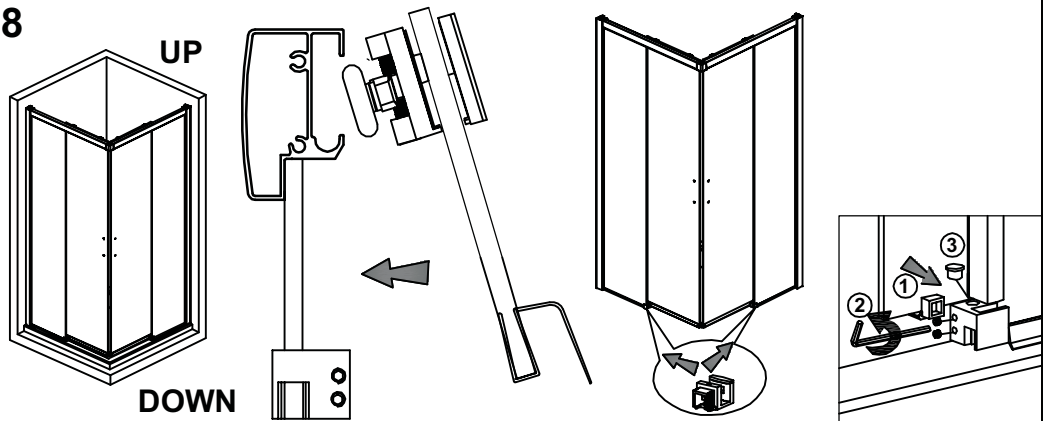


2.5# / 4#

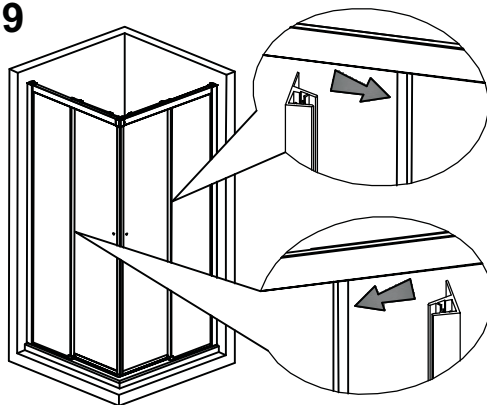
7



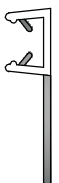
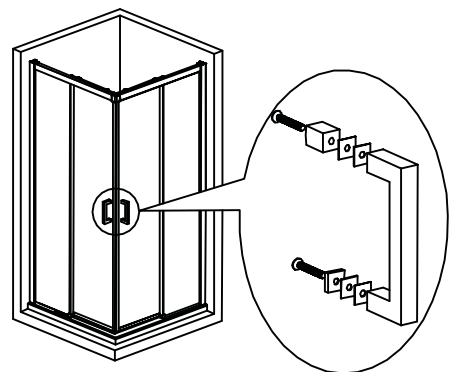
8



9



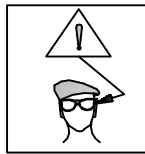
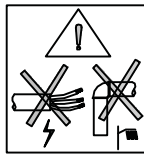
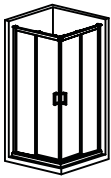
10



X2



X2



MK20S01

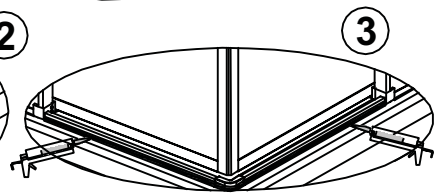
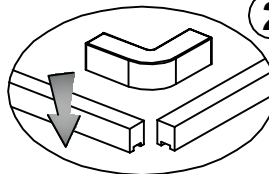
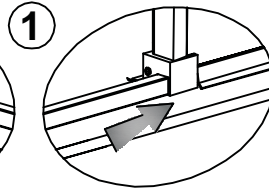
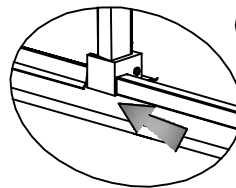
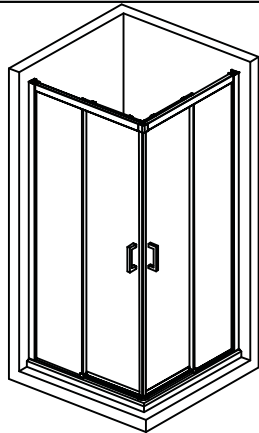


X2



X1

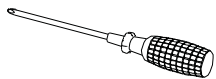
11



X4

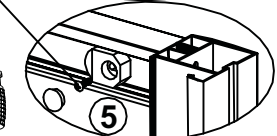
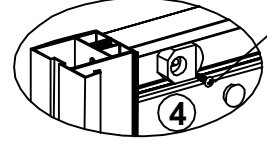
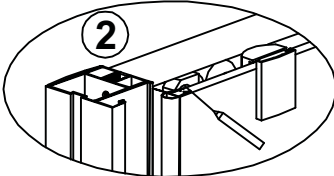
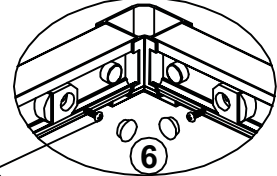
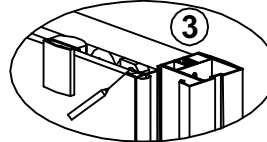
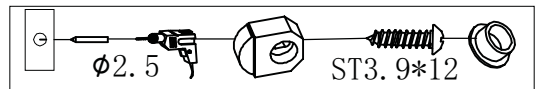
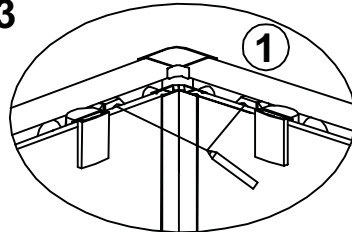


ST3.9\*12 X4

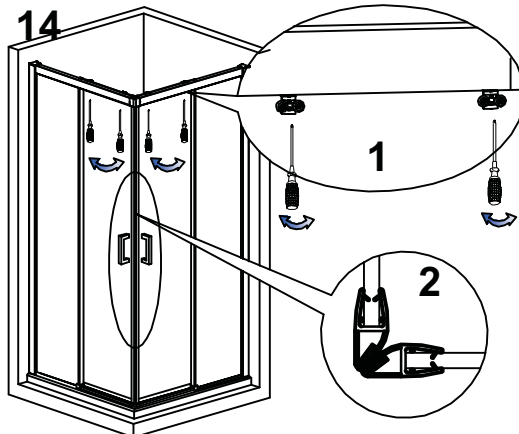


φ2.5

13



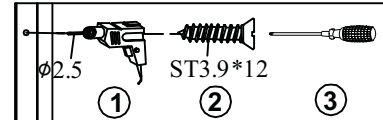
14



1

2

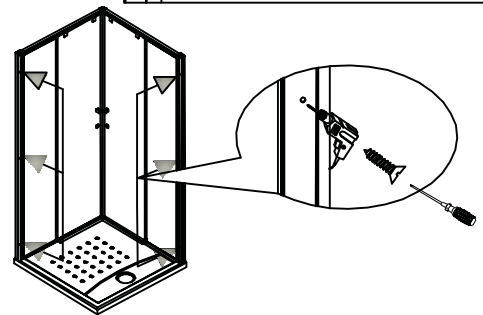
15



1

2

3



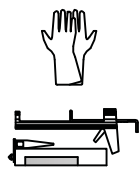
R x1



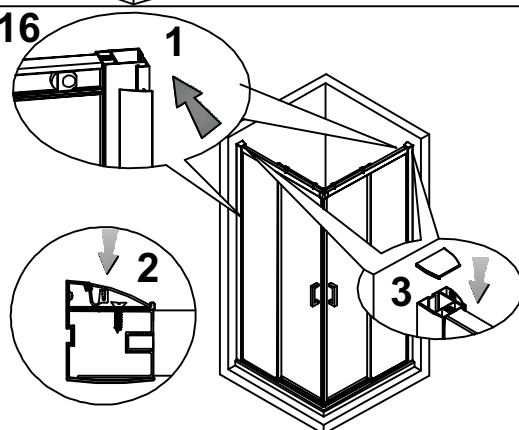
L x1



X2



16



1

2

3

17

