






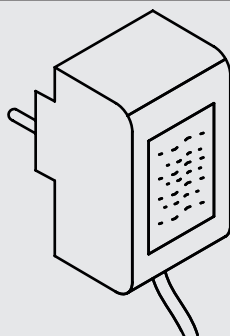


TECHNICAL DATA - DATI TECNICI - TECHNISCHE DATEN - DATOS TÉCNICOS - DONNÉES TECHNIQUES - TECHNISCHE GEGEVENS - DADOS TÉCNICOS - TEKNISCHE DATA - TEKNISSET TIEDOT - TEKNISCHE DATA - TEKNISKA DATA - DANE TECHNICZNE - ТЕХНИЧЕСКИЕ ДАННЫЕ - TECHNICKÉ ÚDAJE - MŰSZAKI ADATOK - ТЕХНІЧНІ ПОДАТКИ - ТЕКНІК VERİLER - ТЕХНІЧКІ ПОДАЦИ - TECHNINIAI DUOMENYS - TEHNISKIE DATI - TEHNILISED ANDMED - DATE TEHNICE - TECHNICKÉ ÚDAJE - ТЕХНИЧЕСКИ ДАННИ - ТЕХНІЧНІ ДАНІ - ТЕХНІЧКІ ПОДАЦИ - ТЕХНИКА ΔΕΔΟΜΕΝΑ - 技术参数 - ТЕХНИКАЛЫҚ КӨРСЕТКІШТЕР

17M DC	
	12 V DC-B DC 0,4 A 5 W-Bт
 <i>MAX</i>	16 kW-кВт 13.800 kcal/h-ккал/ч 54.800 Btu/h-БТЕ/ч
 <i>MIN</i>	10 kW-кВт 8.600 kcal/h-ккал/ч 34.200 Btu/h-БТЕ/ч
	1,16 kg/h-кг/ч
	300 m ³ /h-м ³ /ч
	700 mbar-мбар
	70 kPa-кПа
	3B/P
ΔT 1,5m-м:<70K IP 44	

TECHNICAL DATA - DATI TECNICI - TECHNISCHE DATEN - DATOS TÉCNICOS - DONNÉES TECHNIQUES - TECHNISCHE GEGEVENS - DADOS TÉCNICOS - TEKNISKE DATA - TEKNISET TIEDOT - TEKNISKE DATA - TEKNISKA DATA - DANE TECHNICZNE - ТЕХНИЧЕСКИЕ ДАННЫЕ - TECHNICKÉ ÚDAJE - MŰSZAKI ADATOK - TEHNIČNI PODATKI - TEKNİK VERİLER - TEHNIČKI PODACI - TECHNINIAI DUOMENYS - TEHNISKIE DATI - TEHNILISED ANDMED - DATE TEHNICE - TECHNICKÉ ÚDAJE - ТЕХНИЧЕСКИ ДАННИ - ТЕХНІЧНІ ДАНІ - TEHNIČKI PODACI - ТЕХНИКА ДЕДОМЕНА - 技术参数 - ТЕХНИКАЛЫҚ КӨРСЕТКІШТЕР



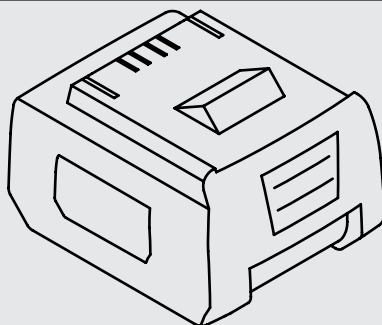
POWER SUPPLY:

Nominal Input Voltage: ~100-240 V AC 50-60 Hz

Max. Input Current: 0,8 A

Nominal Output Voltage: 12 V DC

Max. Output Power: 24 W



BATTERY: MCS BAT3

Cell Type: Li-ion 18650

Nominal Voltage: 14,4 V

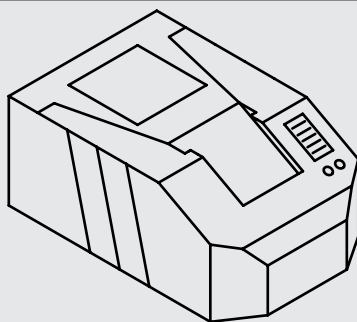
Nominal Capacity: 3,0 Ah

Weight: 490 g

Charging: 0 °C ÷ 40 °C

Discharging: -20 °C ÷ 40 °C

TECHNICAL DATA - DATI TECNICI - TECHNISCHE DATEN - DATOS TÉCNICOS - DONNÉES TECHNIQUES - TECHNISCHE GEGEVENS - DADOS TÉCNICOS - TEKNISCHE DATA - TEKNISET TIEDOT - TEKNISCHE DATA - TEKNISKA DATA - DANE TECHNICZNE - ТЕХНИЧЕСКИЕ ДАННЫЕ - TECHNICKÉ ÚDAJE - MŰSZAKI ADATOK - ТЕХНІЧНІ ПОДАТКИ - ТЕКНІК VERİLER - ТЕХНІЧКІ ПОДАЦИ - TECHNINIAI DUOMENYS - TEHNISKIE DATI - TEHNILISED ANDMED - DATE TEHNICE - TECHNICKÉ ÚDAJE - ТЕХНИЧЕСКИ ДАННИ - ТЕХНІЧНІ ДАНІ - ТЕХНІЧКІ ПОДАЦИ - ТЕХНИКА ΔΕΔΟΜΕΝΑ - 技术参数 - ТЕХНИКАЛЫҚ КӨРСЕТКІШТЕР



CHARGER: MCS CHA

Nominal Input Voltage: ~100-240 V AC 50-60 Hz

Max. Input Current: 1,3 A

Max. Input Power: 73 W

Charging Volt.: 16,35 V \pm 0,25 V

Charging Current: 3 A \pm 0,2 A

Temperature Function: -20 °C \pm 55 °C

LED INDICATORS:

Idling: Green Light Flash 1 Hz

Pre-Charge: Red Light On

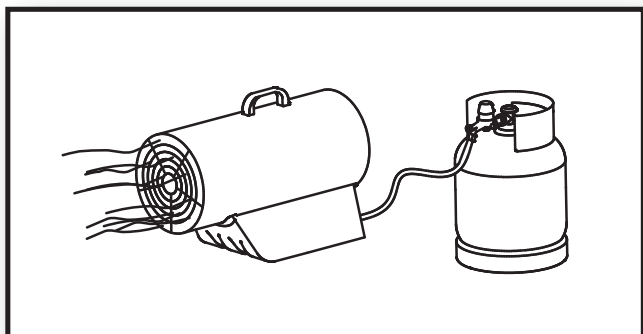
Full Charge: Green Light On

Out Temperature Function: Red Light Flash 1 Hz

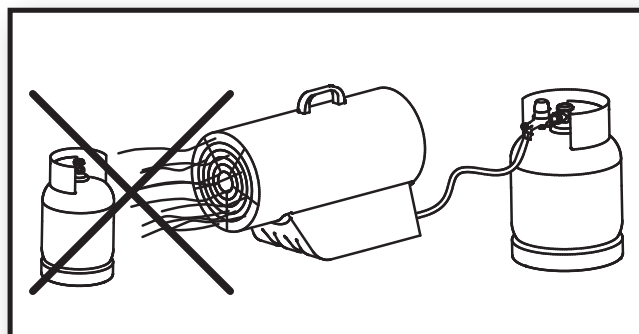
Short-Circuit Error: Red Light Flash 3 Hz

Faulty Charger: Red Green Light Both Flash 3 Hz

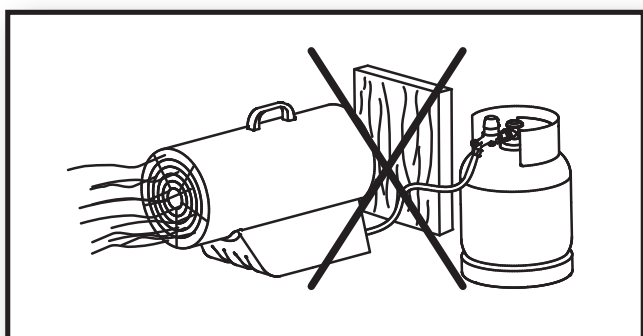
**PICTURES - FIGURE - ABBILDUNGEN - FIGURAS - FIGURES - FIGUREN
- FIGURAS - FIGURER - KUVAT - FIGURER - FIGURER - ILUSTRACJE
- ИЛЛЮСТРАЦИИ - OBRÁZKY - ÁBRÁK - SLIKE - ŞEKİLLER - SLIKE -
ILIUSTRACIJOS - ATTĒLI - JOONISED - IMAGINI - OBRÁZKY - СХЕМИ -
МАЛЮНКИ - SLIKE - EIKONES - 图示 - СУРЕТТЕМЕЛЕР**



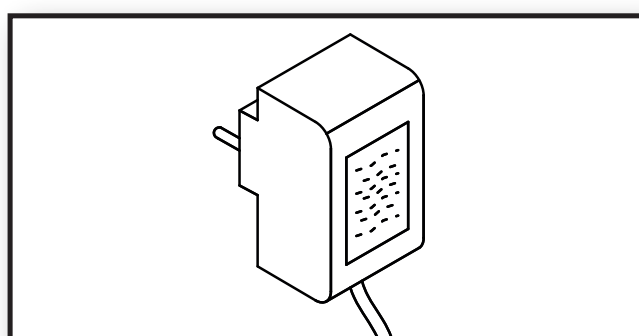
1



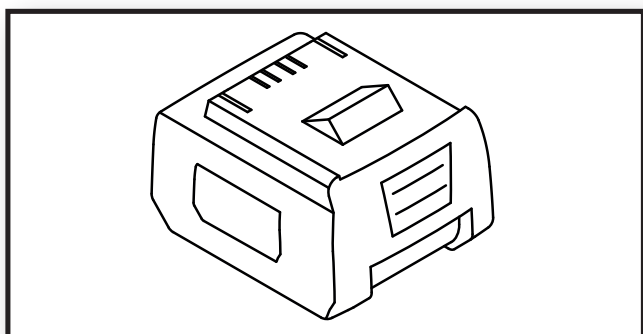
2



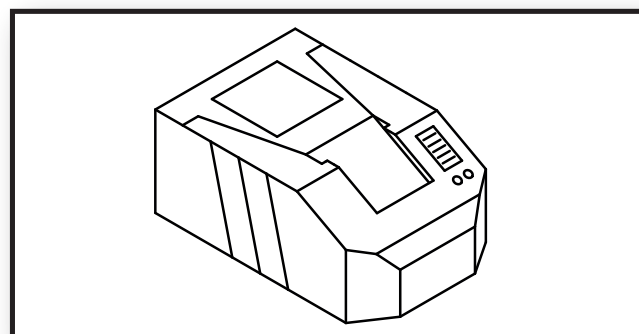
3



4

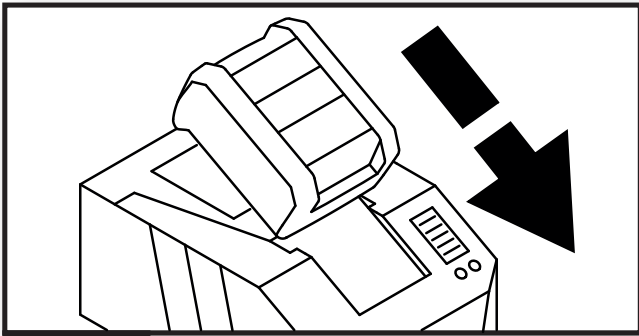


5

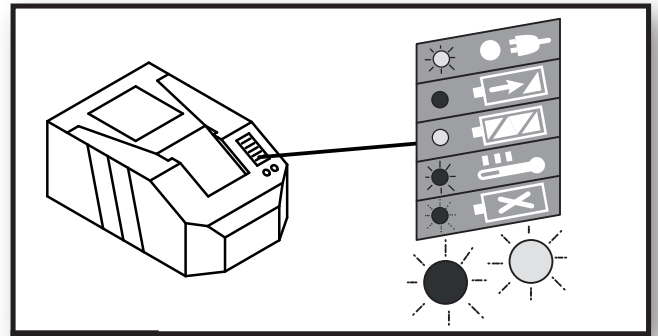


6

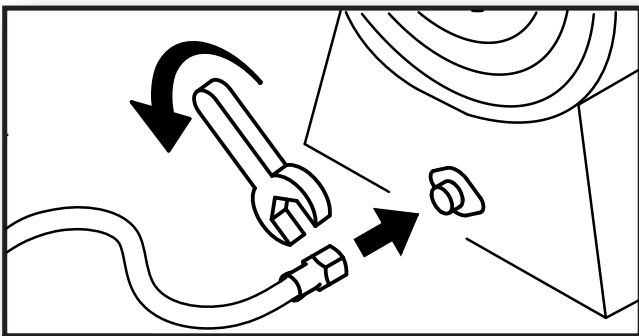
**PICTURES - FIGURE - ABBILDUNGEN - FIGURAS - FIGURES - FIGUREN
- FIGURAS - FIGURER - KUVAT - FIGURER - FIGURER - ILUSTRACJE
- ИЛЛЮСТРАЦИИ - OBRÁZKY - ÁBRÁK - SLIKE - ŞEKİLLER - SLIKE -
ILIUSTRACIJOS - ATTĒLI - JOONISED - IMAGINI - OBRÁZKY - СХЕМИ -
МАЛЮНКИ - SLIKE - EIKONES - 图示 - СУРЕТТЕМЕЛЕР**



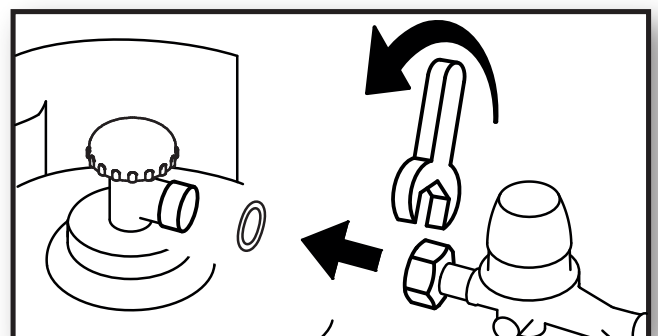
7



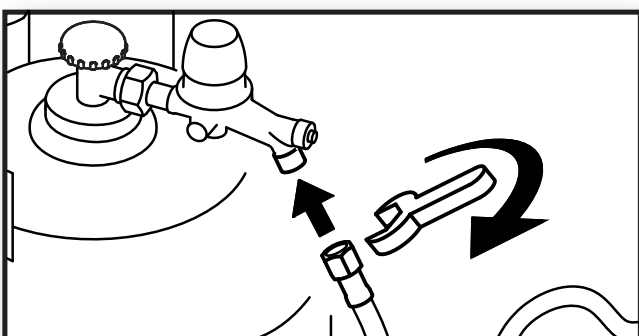
8



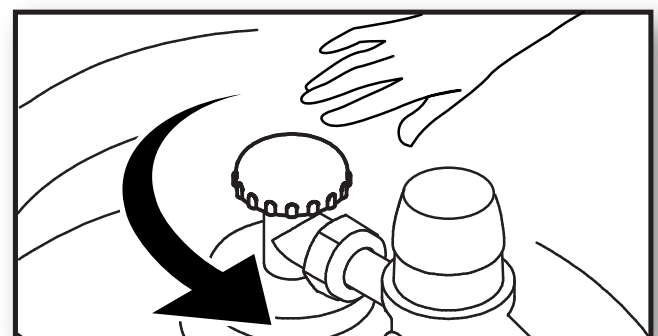
9



10

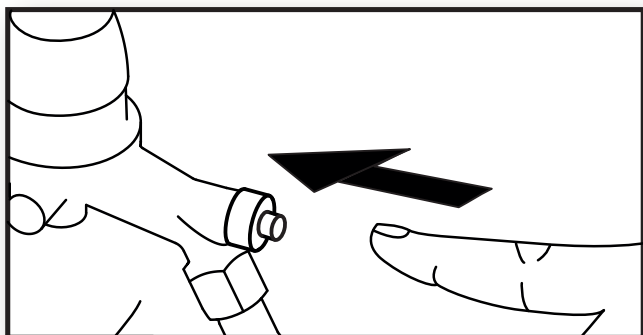


11

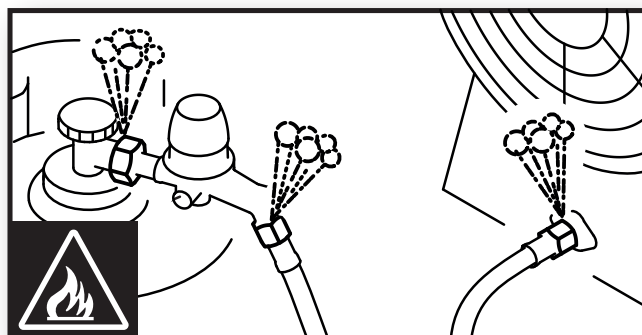


12

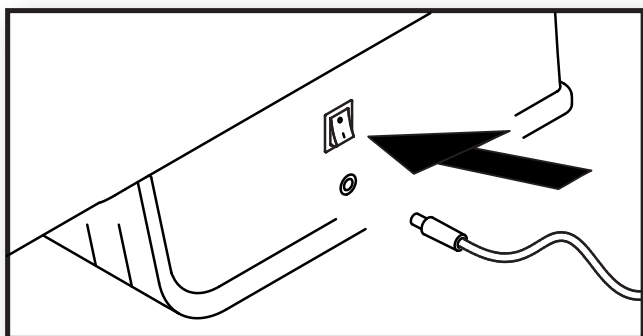
**PICTURES - FIGURE - ABBILDUNGEN - FIGURAS - FIGURES - FIGUREN
- FIGURAS - FIGURER - KUVAT - FIGURER - FIGURER - ILUSTRACJE
- ИЛЛЮСТРАЦИИ - OBRÁZKY - ÁBRÁK - SLIKE - ŞEKİLLER - SLIKE -
ILUSTRACIJOS - ATTĒLI - JOONISED - IMAGINI - OBRÁZKY - СХЕМИ -
МАЛЮНКИ - SLIKE - EIKONES - 图示 - СУРЕТТЕМЕЛЕР**



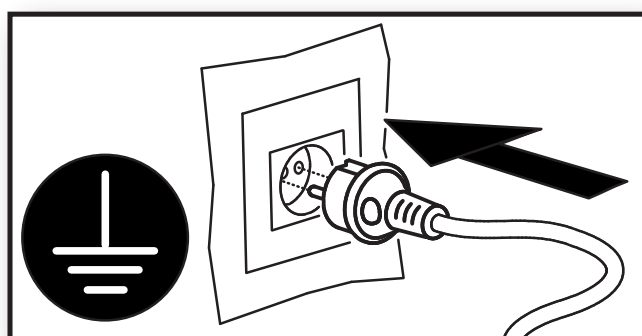
13



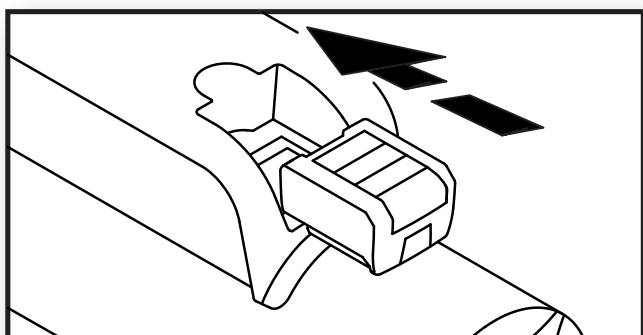
14



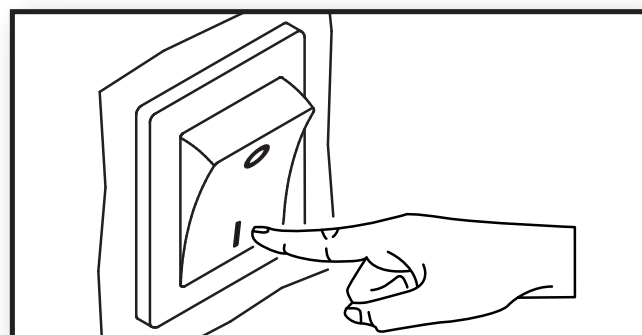
15



16

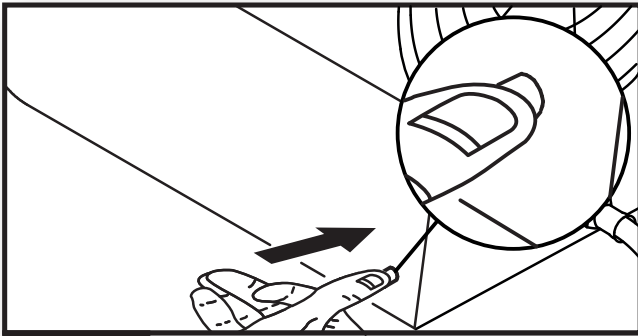


17

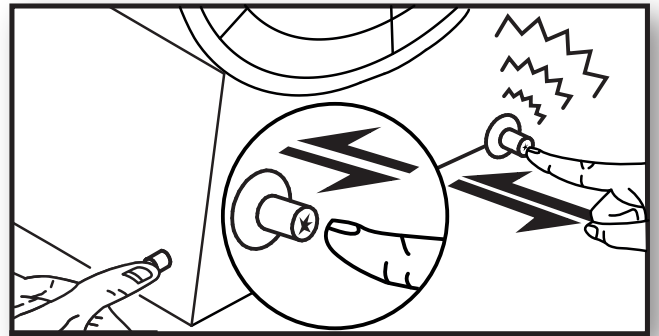


18

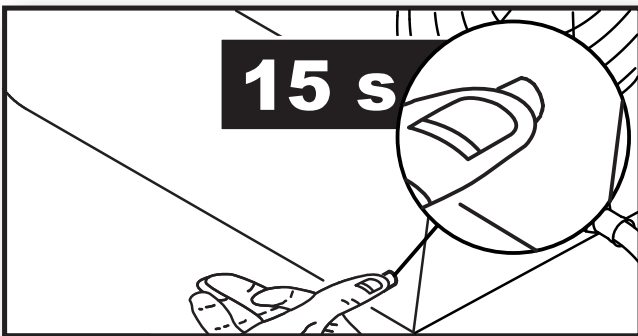
**PICTURES - FIGURE - ABBILDUNGEN - FIGURAS - FIGURES - FIGUREN
- FIGURAS - FIGURER - KUVAT - FIGURER - FIGURER - ILUSTRACJE
- ИЛЛЮСТРАЦИИ - OBRÁZKY - ÁBRÁK - SLIKE - ŞEKİLLER - SLIKE -
ILIUSTRACIJOS - ATTĒLI - JOONISED - IMAGINI - OBRÁZKY - СХЕМИ -
МАЛЮНКИ - SLIKE - EIKONES - 图示 - СУРЕТТЕМЕЛЕР**



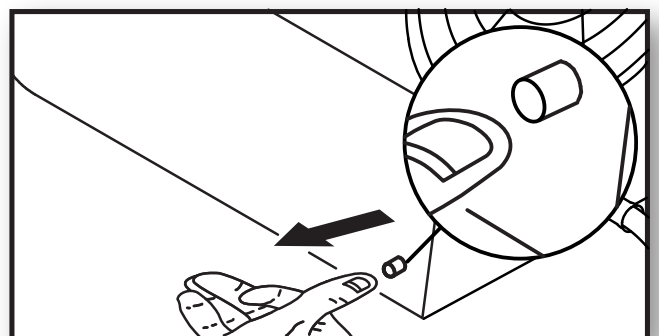
19



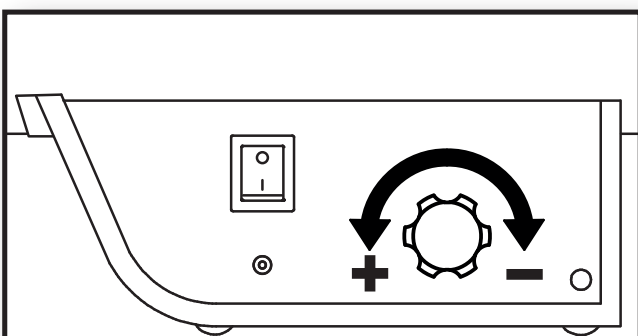
20



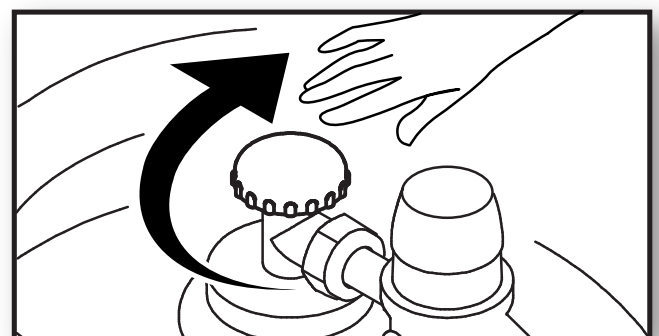
21



22

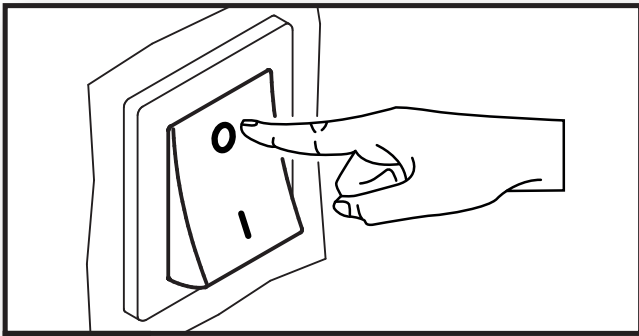


23

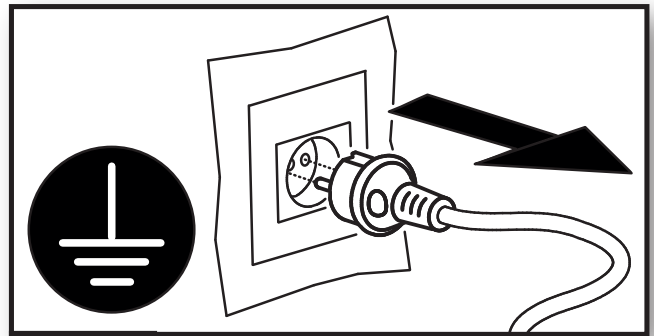


24

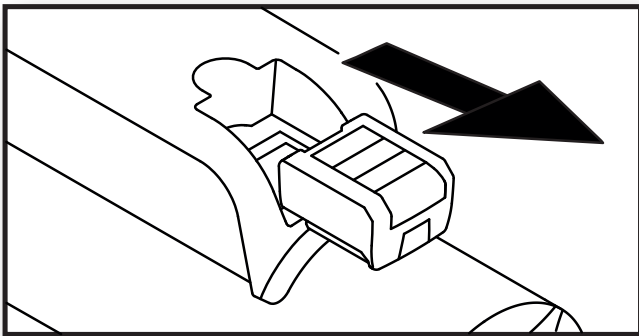
**PICTURES - FIGURE - ABBILDUNGEN - FIGURAS - FIGURES - FIGUREN
- FIGURAS - FIGURER - KUVAT - FIGURER - FIGURER - ILUSTRACJE
- ИЛЛЮСТРАЦИИ - OBRÁZKY - ÁBRÁK - SLIKE - ŞEKİLLER - SLIKE -
ILIUSTRACIJOS - ATTĒLI - JOONISED - IMAGINI - OBRÁZKY - СХЕМИ -
МАЛЮНКИ - SLIKE - EIKONES - 图示 - СУРЕТТЕМЕЛЕР**



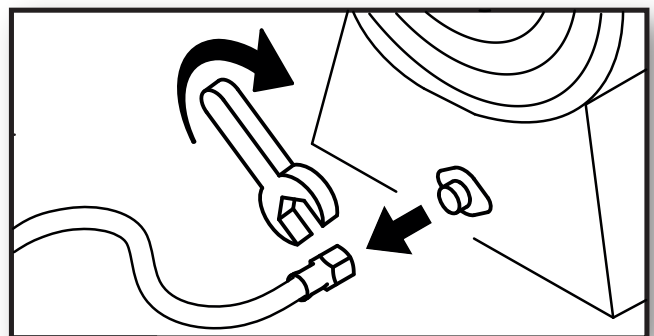
25



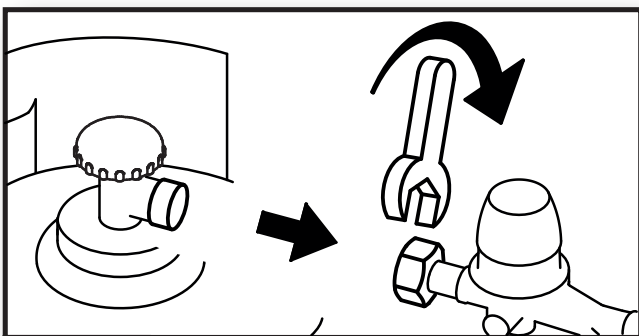
26



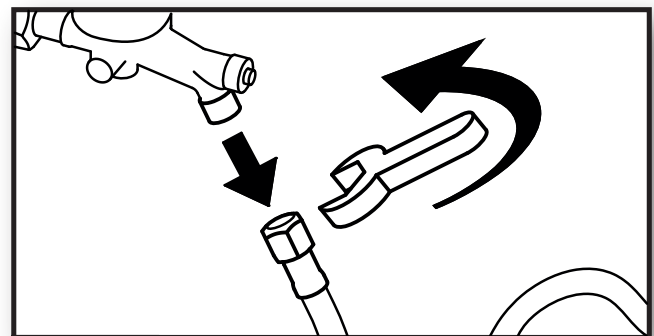
27



28



29



30

PARAGRAPH SUMMARY


1...	DESCRIPTION
2...	WARNINGS
3...	TYPE OF FUEL
4...	DESCRIPTION OF ARTICLES
5...	CONNECTION AND REPLACEMENT OF THE GAS CYLINDER
6...	ELECTRICAL POWER SUPPLY
7...	SWITCH-ON
8...	HEAT CAPACITY REGULATION
9...	SWITCH-OFF
10...	CLEANING AND MAINTENANCE
11...	STORAGE AND TRANSPORT OF THE BATTERY
12...	TROUBLESHOOTING


IMPORTANT: READ AND UNDERSTAND THIS OPERATIONAL MANUAL BEFORE PERFORMING ASSEMBLY, COMMISSIONING OR MAINTENANCE ON THIS HEATER. INCORRECT USE OF THE HEATER CAN CAUSE SERIOUS INJURY. KEEP THIS MANUAL FOR FURTHER REFERENCE.


▶▶▶ 1. DESCRIPTION


This is a portable air heater that operates with liquid gas, featuring the total use of the fuel, by heat exchange due to direct mixing of the intake air and the combustion products. It has a practical handle for easier transport and handling. This heater can be powered by means of a specific power supply or a set of rechargeable batteries. It is manufactured in compliance with the EN 1596 Standard.

▶▶▶ 2. WARNINGS

▶  **IMPORTANT:** Do not use to heat homes or residential buildings; for use in public buildings, refer to national regulations.

▶  **IMPORTANT:** This heater is not suitable for use by persons (including children) with reduced physical, sensory or mental capacities or with lack of experience or knowledge unless supervised by a person responsible for their safety. Children must be supervised to make sure they do not play with the heater. Keep animals at a safe distance from the heater.

▶  **IMPORTANT:** Improper use of this heater can cause damage, injuries, burns, explosions, electric shock or endanger life. The first symptoms of suffocation by carbon monoxide are similar to those of flu with headache, light-headedness and/or nausea. These symptoms could be caused by the faulty functioning of the heater. **IF THESE SYMPTOMS OCCUR, GO OUTDOORS IMMEDIATELY** and have the heater repaired by a technical support centre.

▶  **IMPORTANT:** In order to prevent any risk, even if power supply mains disconnection is foreseen, all cleaning, maintenance and repair operations requiring access to dangerous parts, must be carried out by the manufacturer, an appointed technical assistance service, or a similarly qualified person.

▶ **2.1.** For correct use of the heater and for preservation of the fuel, follow all local regulations and Standards in force.

▶ **2.2.** The heater requires suitable fresh air in order to function. It is therefore used outdoors

or in rooms with an assured and continuous supply of fresh air. Good airing is supplied when the volume of the room is calculated on the heat capacity, using the formula of 1m³ every 100W of power. In no case is the recommended volume of the room smaller than 100m³. Good ventilation is guaranteed by an opening that satisfies the formula stating 25cm² per kW of heat power, with minimum of 250cm², equally divided between the upper and lower part of the room. National Standards in force are valid for installation, including the Technical Standards and the provisions regarding accident-prevention and the prevention of fires.

► **2.3.** The heater must only be used to heat air (heating mode) or to circulate air (ventilation mode). Follow these instructions scrupulously.

► **2.4.** The Manufacturer declines any liability for damage/injury to property/persons deriving from the improper use of the heater.

► **2.5.** Use only the type of fuel specified on the data plate affixed to the heater.

► **2.6.** Make sure the heater is only connected to a suitable electrical energy supply with a differential switch and suitable earthing.

► **2.7.** Only use extensions with suitable section, appropriately connected to earth.

► **2.8.** The heater must function on a stable, fire-proof, level surface, to prevent the risk of fire.

► **2.9.** It is prohibited to use the heater in basements and rooms below ground level.

► **2.10.** The heater must not be used in places where explosive dusts, fumes, gases, fuels, solvents and paints are present.

► **2.11.** Whenever the heater is used near a tarpaulin, awnings or similar covering materials, additional protection is recommended, such as fire-proofing. Make sure the hot parts of the generator are kept a suitable distance from inflammable materials (fabric, paper, wood, etc.) or thermolabile materials (including the power supply cable, when applicable), which in any case should never be less than 2,5m.

► **2.12.** Position the gas cylinder in a protected area, behind the appliance (Fig. 1). The heater must never face the gas cylinder (Fig. 2).

► **2.13.** The air vent (rear side) and/or the air outlet vent (front side) must not be totally or partially obstructed for any reason (Fig. 3). Do

not use any air ducting from or to the heater. Make sure air intake slots, on the bottom of the base, are not obstructed (for models using this solution).

► **2.14.** If the heater does not switch on or switch-on is anomalous, consult the relative section (Par. "12. TROUBLESHOOTING").

► **2.15.** The heater must never be moved, handled or subjected to any maintenance interventions when running.

► **2.16.** In any condition of use or heater standstill, make sure that the flexible gas hose is not damaged (crushed, bent, twisted, taught, etc.).

► **2.17.** If you smell gas, switch the heater off immediately, close the gas cylinder, disconnect the mains plug and/or remove the rechargeable battery and then contact the after-sales assistance.

► **2.18.** If the gas hose needs to be replaced, only use the flexible type suitable for the pressure used, referring to national regulations. The gas hose must measure 1,5m.

► **2.19.** When the heater is not used, disconnect the mains plug and/or remove the rechargeable battery, close the gas supply, disconnect the gas hose from the heater and plug the gas inlet on the heater.

► **2.20.** Ask the technical support service to check that the heater is working properly at least once a year and/or as required.

► **2.21.** Make sure that the heater is turned off before connecting the mains plug and/or inserting the rechargeable battery, in order to avoid risks.

► **2.22.** Use only the original rechargeable batteries recommended by the manufacturer. The use of non-original rechargeable batteries can cause damage, injuries, burns, explosions, electric shocks, poisoning, or endanger life.

► **2.23.** Keep the disconnected rechargeable battery at a safe distance from paper clips, coins, keys, nails, screws and any other small metal objects that could cause a short-circuit. A short-circuit between the contacts of the rechargeable battery can cause damage, injuries, burns, explosions or endanger life.

► **2.24.** Incorrect use of the rechargeable battery can cause the battery fluid to leak. Avoid all contact with the battery. In the event of accidental contact, rinse yourself thoroughly

en with water. Seek immediate medical attention if the fluid comes into contact with your eyes. The fluid in the rechargeable battery can cause skin irritation or burns.

▶ **2.25.** Incorrect use of the rechargeable battery can cause the battery to release fumes. Avoid inhaling these fumes at all costs. Ensure a good flow of fresh air and seek immediate medical attention in the event of accidental inhalation of fumes. The fumes can irritate the airways.

▶ **2.26.** In order to avoid serious risk, do not attempt to open or disassemble the rechargeable battery.

▶ **2.27.** In order to avoid serious risk, protect the rechargeable battery against heat (for example, constant direct sunlight or fire) water, humidity, etc.

▶ **2.28.** Use the specific rechargeable battery only for this heater, in order to avoid hazardous overloading.

▶ **2.29.** Use only original rechargeable batteries with the voltage rating indicated on the technical data plate affixed to the heater. The use of other types of rechargeable battery (like imitation batteries, regenerated batteries, batteries from other brands, etc.) poses the risk of injuries and/or explosions.

▶ **2.30.** Use only original battery chargers to charge the rechargeable battery. Each battery must be charged using its specific charger in order to avoid the risks of fire and explosion.

▶ **2.31.** Use only the power supply methods recommended in this manual. To switch to another power supply method, first carry out the switch-off procedure (Par. "9. SWITCH-OFF"). It is prohibited to change the power supply method when the heater is running, in order to avoid serious damage.

▶▶▶ 3. TYPE OF FUEL

Use only category I₃B/P gas.

▶▶▶ 4. DESCRIPTION OF ARTICLES

▶▶ 4.1. POWER SUPPLY UNIT (when applicable):

THE POWER SUPPLY UNIT DOES NOT CHARGE THE BATTERY.

(Fig. 4) The heater can be connected to the mains using a device called the power supply unit. The power supply unit receives single phase alternating current from the mains and converts it into direct current for running the heater. The operating parameters for the power supply unit (see the data plate affixed to the power supply unit) must be observed. Use the power supply unit in completely dry, dust-free environments to power only this heater. Check the power supply unit's cable regularly for wear, in order to avoid serious damage. Observe all the warning messages relating to the power supply unit in this manual.

▶▶ 4.2. BATTERY (when applicable):

(Fig. 5) The heater can operate autonomously using an original Li-ion rechargeable battery, without a mains connection. The rechargeable battery is provided only partially charged. It is advisable, therefore, to fully charge the battery before initial use. Use only original batteries to power the heater. Observe all the warning messages relating to the battery in this manual.

▶▶ 4.3. BATTERY CHARGER (when applicable):

(Fig. 6) The battery charger is designed to charge original rechargeable batteries. The operating parameters for the battery charger (see the data plate affixed on the battery charger) must be observed. Use the battery charger in completely dry, dust-free environments to charge only the original rechargeable batteries used to power this heater. The battery charger is designed to automatically charge the rechargeable battery when connected (Fig. 7). A set of LED lights on the battery charger provide detailed diagnostics during the battery charging phase (Fig. 8). Observe all the warning messages relating to the battery charger in this manual.

▶▶▶ 5. CONNECTION AND REPLACEMENT OF THE GAS CYLINDER

The gas cylinder must be replaced in the open air, away from heat sources, in an atmosphere without flames.

Only the following accessories must be used for connection of the gas cylinder to the heater:

- Liquid gas flexible pipe.
- Liquid gas pressure regulator complete with safety valve.

CHECK THE INTEGRITY OF THE GAS SUPPLY PIPE. IF THE GAS HOSE NEEDS TO BE REPLACED, ONLY USE THE FLEXIBLE TYPE SUITABLE FOR THE PRESSURE USED, REFERRING TO NATIONAL REGULATIONS.

▶ To connect the heater to the gas cylinder:
CAUTION: ALL THREADING IS SINISTRAL, I.E. THEY ARE TIGHTENED IN AN ANTI-CLOCKWISE DIRECTION.

▶ **5.1.** Screw the gas hose on the heater fitting (Fig. 9).

▶ **5.2.** Install the pressure regulator on the gas cylinder. Make sure there is a gasket present on the regulator (if envisioned by the type of connection) (Fig. 10).

▶ **5.3.** Connect the gas hose to the pressure regulator (Fig. 11).

▶ **5.4.** Open the gas cylinder cock (Fig. 12).

▶ **5.5.** Press the regulator release button (Fig. 13). **Check the tightness of fittings using soapy water: bubbles indicate a gas leak (Fig. 14).** Several gas cylinders can be fitted together to obtain greater autonomy. The correct functioning pressure (see data plate applied to the heater) is given by the regulator supplied or an equivalent model.

▶▶▶ 6. ELECTRICAL POWER SUPPLY

USE ONLY THE POWER SUPPLY METHODS DESCRIBED BELOW. TO SWITCH TO ANOTHER POWER SUPPLY METHOD, FIRST CARRY OUT THE SWITCH-OFF PROCEDURE (Par. "9. SWITCH-OFF"). IT IS PROHIBITED TO CHANGE THE POWER SUPPLY METHOD WHEN THE HEATER IS RUNNING.

▶▶ 6.1. HEATER POWERED WITH THE POWER SUPPLY UNIT (when applicable):

THE CONNECTION TO THE MAINS ELECTRICITY MUST BE MADE IN COMPLIANCE WITH THE NATIONAL STANDARDS IN FORCE.

Before connecting the heater to the mains, make sure that:

▶ **6.1.1.** The electricity mains is equipped with a differential switch and suitable earth.

▶ **6.1.2.** The power supply voltage and frequency are correct (see the data plate affixed to the power supply unit).

Connect the power supply unit to the heater (Fig. 15) and then connect the power supply unit to the mains (Fig. 16).

▶▶ 6.2. HEATER POWERED WITH THE RECHARGEABLE BATTERY (when applicable):

USE ONLY ORIGINAL RECHARGEABLE BATTERIES WITH THE VOLTAGE RATING INDICATED ON THE TECHNICAL DATA PLATE AFFIXED TO THE HEATER.

Insert the rechargeable battery in the battery compartment under the base of the heater (Fig. 17).

The rechargeable battery (provided in the pack and/or on request, depending on the model) is provided partially charged. In order to guarantee the full power of the rechargeable battery, charge it fully using the original battery charger before initial use (each battery needs its specific battery charger). The rechargeable battery has an "NTC" temperature control device that permits charging only within the temperature range of 0 and 40°C. This ensures the long life-span of the rechargeable battery.

▶▶ 6.3. HEATER POWERED WITH THE POWER SUPPLY UNIT AND WITH THE BATTERY INSERTED (when applicable):

Connect the power supply unit to the heater (Fig. 15) and then connect the power supply unit to the mains (Fig. 16) (see the data plate affixed to the heater). The heater automatically excludes the rechargeable battery. **THE POWER SUPPLY UNIT DOES NOT CHARGE THE BATTERY**, this means that the rechargeable battery is not charged up when the heater is connected to the mains.

▶▶▶ 7. SWITCH-ON

▶▶ 7.1. HEATING MODE:

▶ 7.1.1. Turn the "O/I" switch to position "I" (Fig. 18).

▶ 7.1.2. Wait a few seconds.

▶ 7.1.3. Press the gas button fully home and hold it down (Fig. 19).

▶ 7.1.4. Activate the piezoelectric igniter fully home and repeatedly (Fig. 20), keeping the gas button pressed (Fig. 19).

▶ 7.1.5. After ignition of the flame, hold the gas button down for about 15 s (Fig. 21).

▶ 7.1.6. Release the gas button (Fig. 22).

In the event of a power cut or if there is no gas supply, the heater will switch off. The heater does not switch back on automatically. It must be switched on manually by repeating the switch-on procedure. If the heater does not switch on, consult the relative section (Par. "12. TROUBLESHOOTING").

▶▶ 7.2. VENTILATION MODE:

The heater can also be used as a fan. Connect the generator to the mains electricity and/or insert the rechargeable battery and turn the "O/I" switch to position "I" (Fig. 18).

PLEASE NOTE: With the heater functioning in heating mode, before passing to ventilation mode, carry out the correct switch off sequence (Par. "9. SWITCH-OFF").

▶▶▶ 8. HEAT CAPACITY REGULATION

The heat capacity can be regulated with the knob positioned on the base of the heater (Fig. 23).

▶▶▶ 9. SWITCH-OFF

▶ 9.1. Close the gas cylinder (Fig. 24).

▶ 9.2. Leave the fan to cool for about 60 s, in order to prevent internal damage due to overheating (heater internal cooling).

▶ 9.3. Turn the "O/I" switch to position "O" (Fig. 25).

▶ 9.4. Disconnect the heater from the mains power supply (Fig. 26) and/or remove the

rechargeable battery from the mains or disconnect the battery (Fig. 27).

▶ 9.5. Disconnect the heater from the gas supply pipe (Fig. 28-29-30).

▶▶▶ 10. CLEANING AND MAINTENANCE

Ask the technical support service to check that the heater is working properly at least once a year and/or as required. The heater must be cleaned before it is put away after use.

▶ 10.1. Before starting any type of maintenance, care and repairs of the heater, carry out the switch-off sequence (Par. "9. SWITCH-OFF").

▶ 10.2. Cleaning only concerns the air vent (rear side) of the heater.

▶ 10.3. When the heater is used again, check the condition of the gas hose. If in doubt regarding its condition, request assistance from the technical after-sales service.

▶ 10.4. Do not carry out any unauthorised maintenance.

▶▶▶ 11. STORAGE AND TRANSPORT OF THE BATTERY

DO NOT KEEP AND STORE THE BATTERY AT A LOW TEMPERATURE FOR A LONG PERIOD OF TIME.

The Li-ion rechargeable batteries are subject to the Dangerous Goods Regulations. The user can transport the rechargeable batteries by road without taking additional precautions. In third party transportation case (e.g. by air and/or freight forwarder), must be observed the requirements according to the all local regulations and standards in force. Ship the rechargeable batteries only if their shell is not damaged. Cover the exposed contacts with adhesive tape and pack the rechargeable battery in such a way that it cannot move in its packaging. Please also observe any other applicable domestic standards.

►►► 12. TROUBLESHOOTING

FUNCTIONING ANOMALIES	CAUSES	SOLUTION
The motor does not start	No power supply (if mains powered)	1. Check the mains system 2. After-sales assistance
	Battery low (if battery-powered)	1. Charge the battery 2. After-sales assistance
	Defective power supply or battery	After-sales assistance
	Faulty motor	After-sales assistance
The flame does not ignite	Gas cylinder empty	Replace the gas cylinder (Par. 5)
	Regulator safety valve blocked	1. Press the regulator gas release button (Fig. 13) 2. After-sales assistance
	Gas cylinder cock closed	Open the gas cylinder cock (Fig. 12)
	Faulty ignition circuit	After-sales assistance
The flame does not stay on	Gas button not pressed for long enough	Press the gas button for longer (Par. 7.1.5.)
	Defective heater	After-sales assistance
Flame goes out during functioning	Insufficient gas supply	1. Replace the gas cylinder (Par. 5) 2. After-sales assistance
	The heater overheats	1. Clean the air vent (rear side) 2. After-sales assistance
	Defective heater	After-sales assistance

SOMMARIO PARAGRAFI


1...	DESCRIZIONE
2...	AVVERTENZE
3...	TIPO DI COMBUSTIBILE
4...	DESCRIZIONE ARTICOLI
5...	COLLEGAMENTO E SOSTITUZIONE DELLA BOMBOLA GAS
6...	ALIMENTAZIONE ELETTRICA
7...	ACCENSIONE
8...	REGOLAZIONE POTENZA TERMICA
9...	SPEGNIMENTO
10...	PULIZIA E MANUTENZIONE
11...	CONSERVAZIONE E TRASPOSTO DELLA BATTERIA
12...	ANOMALIE DI FUNZIONAMENTO, CAUSE E RIMEDI


IMPORTANTE: LEGGERE E COMPRENDERE QUESTO MANUALE OPERATIVO PRIMA DI EFFETTUARE L'ASSEMBLAGGIO, LA MESSA IN FUNZIONE O LA MANUTENZIONE DI QUESTO RISCALDATORE. L'USO ERRATO DEL RISCALDATORE PUÒ CAUSARE LESIONI GRAVI. CONSERVARE QUESTO MANUALE A TITOLO DI FUTURO RIFERIMENTO.

►►► 1. DESCRIZIONE


Questo è un riscaldatore d'aria portatile funzionante a gas liquido, caratterizzato dallo sfruttamento totale del combustibile, mediante scambio termico per miscelazione diretta tra l'aria aspirata ed i prodotti della combustione. È dotato di una pratica maniglia per facilitarne il trasporto e la movimentazione. Questo riscaldatore può essere alimentato tramite specifico alimentatore, oppure da un sistema di batterie ricaricabili. È realizzato secondo la Norma EN 1596.


►►► 2. AVVERTENZE

►  **IMPORTANTE:** Non utilizzare per il riscaldamento delle aree abitabili di edifici residenziali; per l'uso in edifici pubblici, fare riferimento ai regolamenti nazionali.

►  **IMPORTANTE:** Questo riscaldatore non è adatto all'uso da parte di persone (incluse bambini) con capacità fisiche, sensoriali e mentali ridotte, o inesperte, a meno che non vengano supervisionate da una persona responsabile per la loro sicurezza. I bambini devono essere controllati, per assicurarsi che

non giochino con il riscaldatore. Tenere gli animali a distanza di sicurezza dal riscaldatore.

►  **IMPORTANTE:** L'uso improprio di questo riscaldatore può provocare danni o pericolo di vita a persone, lesioni, ustioni, esplosioni, elettroshock o avvelenamento. I primi sintomi di asfissia da ossido di carbonio assomigliano a quelli dell'influenza, con cefalee, capogiri e/o nausea. Tali sintomi potrebbero essere causati dal funzionamento difettoso del riscaldatore. **NEL CASO SI PRESENTASSERO QUESTI SINTOMI, USCIRE IMMEDIATAMENTE ALL'APERTO e far riparare il riscaldatore dall'assistenza tecnica.**

►  **IMPORTANTE:** Tutte le operazioni di pulizia, manutenzione e riparazione che prevedano l'accesso a parti pericolose devono essere svolte dal costruttore, dal suo servizio di assistenza tecnica, da una persona con qualifica similare, in modo da prevenire ogni rischio, anche se è prevista la disconnessione dalla rete di alimentazione.

► **2.1.** Per un corretto uso del riscaldatore e per la conservazione del combustibile, attenersi a

tutte le ordinanze locali ed alla normativa vigente.

► **2.2.** Il riscaldatore necessita per il funzionamento di un adeguato ricambio di aria. Pertanto esso va impiegato all'aperto o in stanze con ricambio d'aria assicurato e continuo. Una buona aerazione è assicurata quando il volume della stanza è calcolato sulla potenza termica, con la formula di 1m^3 ogni 100W di potenza. In nessun caso il volume raccomandato della stanza deve essere minore di 100m^3 . Una buona ventilazione è garantita da un'apertura che soddisfi la formula di 25cm^2 per kW di potenza termica, con un minimo di 250cm^2 , equamente diviso tra parte superiore e parte inferiore della stanza. Per l'installazione, valgono le norme nazionali vigenti, incluse le norme tecniche e le disposizioni in materia antinfortunistica e di prevenzione degli incendi.

► **2.3.** Il riscaldatore deve essere usato solamente per riscaldare l'aria (modalità riscaldamento), o per movimentare l'aria (modalità ventilazione). Per l'utilizzo seguire scrupolosamente le presenti istruzioni.

► **2.4.** Il costruttore declina ogni responsabilità per danni a cose e/o persone derivanti dall'uso improprio del riscaldatore.

► **2.5.** Alimentare il riscaldatore solamente con il tipo di combustibile espressamente specificato sulla targhetta dati applicata sul riscaldatore.

► **2.6.** Assicurarsi di collegare il riscaldatore solo a reti elettriche opportunamente dotate di interruttore differenziale e di adeguata messa a terra.

► **2.7.** Usare solamente prolunghe di adeguata sezione, con filo di messa a terra.

► **2.8.** Il riscaldatore deve funzionare su una superficie livellata, stabile e ignifuga, in modo da evitare rischi di incendio.

► **2.9.** È assolutamente vietato usare il riscaldatore in locali seminterrati o sotto il livello del suolo.

► **2.10.** Il riscaldatore non deve essere usato in locali in cui sono presenti polveri esplosive, fumi, gas, combustibili, solventi, vernici.

► **2.11.** Qualora il riscaldatore sia utilizzato in prossimità di teloni, tende o materiali simili di copertura, si consiglia di usare protezioni aggiuntive di tipo ignifugo. Avere cura di mantenere una distanza adeguata, che in nessun caso deve essere inferiore a $2,5\text{m}$ da materiali infiammabili (stoffa, carta, legno, ecc.) o termolabili (compreso il cavo dell'alimentatore, se presente), dalle parti calde del riscaldatore.

► **2.12.** Posizionare la bombola gas in posizione protetta, dietro l'apparecchio (Fig. 1). Il riscaldatore non deve mai essere orientato verso la bombola del gas (Fig. 2).

► **2.13.** Per qualsiasi motivo è vietato ostruire completamente, o parzialmente, la presa d'aria (lato posteriore) e/o la bocca d'uscita aria (lato anteriore) (Fig. 3). Evitare di utilizzare qualsiasi canalizzazione aria dal/al riscaldatore. Assicurarsi che non vengano ostruite le feritoie di aspirazione aria presenti sul fondo della base (per i modelli che adottano questa soluzione).

► **2.14.** Nel caso di mancata accensione, o accensione anomala del riscaldatore, consultare l'apposita sezione (Parag. "12. ANOMALIE DI FUNZIONAMENTO, CAUSE E RIMEDI").

► **2.15.** Il riscaldatore quando è in funzione non deve mai essere spostato, maneggiato, né soggetto ad alcun intervento di manutenzione.

► **2.16.** In qualsiasi condizione d'uso, o di stazionamento del riscaldatore, fare attenzione che il tubo gas flessibile, non venga danneggiato (schiacciato, piegato, torto, teso, ecc.).

► **2.17.** Se viene percepito odore di gas, spegnere subito il riscaldatore, chiudere la bombola gas, scollegare la spina dell'alimentatore dalla rete e/o rimuovere la batteria ricaricabile e successivamente contattare l'assistenza tecnica.

► **2.18.** In caso di sostituzione del tubo gas, utilizzare solo tubi di tipo flessibile adeguato alla pressione di utilizzo, facendo riferimento alle regolamentazioni nazionali. Il tubo gas deve avere una lunghezza di $1,5\text{m}$.

► **2.19.** Quando il riscaldatore non è utilizzato, scollegare la spina dell'alimentatore dalla rete e/o rimuovere la batteria ricaricabile, chiudere l'alimentazione gas, scollegare il tubo gas dal riscaldatore e tappare l'entrata gas sul riscaldatore.

► **2.20.** Far verificare dall'assistenza tecnica almeno una volta all'anno e/o secondo l'esigenza, il corretto funzionamento del riscaldatore.

► **2.21.** Assicurarsi che il riscaldatore sia spento, prima di collegare la spina elettrica dell'alimentatore e/o inserire la batteria ricaricabile, in modo da prevenire ogni rischio.

► **2.22.** Utilizzare solo ed esclusivamente batterie ricaricabili originali esplicitamente previste. L'uso di batterie ricaricabili non previste può provocare danni o pericolo di vita a persone, lesioni, ustioni, esplosioni, elettroshock o avvelenamento.

► **2.23.** Mantenere un adeguata distanza di sicurezza tra la batteria ricaricabile scollegata e fermagli, monete, chiavi, chiodi, viti e altri piccoli oggetti metallici che potrebbero provocare un eventuale cortocircuito. Un eventuale cortocircuito tra i contatti della batteria ricaricabile può provocare danni o pericolo di vita a persone, lesioni, ustioni, esplosioni, ecc..

► **2.24.** L'errato impiego della batteria ricaricabile può provocare fuoriuscita di liquido dalla batteria. Evitarne assolutamente il contatto. In caso di contatto accidentale, sciacquare accuratamente con acqua. Rivolgersi immediatamente al medico, qualora il liquido dovesse entrare in contatto con gli occhi. Il liquido fuoriuscito dalla batteria ricaricabile potrà causare irritazioni cutanee o ustioni.

► **2.25.** L'errato impiego della batteria ricaricabile può provocare fuoriuscita di vapori dalla batteria. Evitarne assolutamente di inalare questi vapori. Far entrare aria fresca e in caso di inalazione accidentale farsi visitare da un medico in caso di disturbi. I vapori possono irritare le vie respiratorie.

► **2.26.** Al fine di evitare gravi rischi non tentare di aprire/smontare la batteria ricaricabile.

► **2.27.** Al fine di evitare gravi rischi proteggere la batteria ricaricabile dal calore (per esempio dall'irradiazione solare continuo, dal fuoco, dall'acqua, dall'umidità, ecc.).

► **2.28.** Utilizzare la batteria ricaricabile specifica esclusivamente con questo riscaldatore al fine di evitare sovraccarichi pericolosi.

► **2.29.** Utilizzare esclusivamente batterie ricaricabili originali dotate della tensione indicata sulla targhetta dati tecnici del riscaldatore. In caso di impiego di altre batterie ricaricabili (per esempio batterie d'imitazione, batterie rigenerate, batterie di concorrenza, ecc.) esiste il pericolo di lesioni e/o esplosioni.

► **2.30.** Caricare la batteria ricaricabile solo ed esclusivamente con caricabatteria originali. Ogni batteria necessita dello specifico caricabatteria al fine di evitare rischi d'incendio e di esplosione.

► **2.31.** Utilizzare solo le modalità di alimentazione elettrica prevista in questo manuale. Per passare da una modalità all'altra, eseguire la sequenza di spegnimento (Parag. "9. SPEGNIMENTO"). È vietato cambiare modalità di alimentazione a riscaldatore in funzione, al fine di evitare gravi danni.

►►► 3. TIPO DI COMBUSTIBILE

Usare solo gas della categoria I₃B/P.

►►► 4. DESCRIZIONE ARTICOLI

►► 4.1. ALIMENTATORE (dove presente):

L'ALIMENTATORE NON HA FUNZIONE DI CARICABATTERIA.

(Fig. 4) Il riscaldatore può funzionare collegato alla rete elettrica tramite un dispositivo denominato alimentatore. L'alimentatore è progettato per ricevere in ingresso la corrente alternata monofase fornita dalla rete e convertirla in uscita in corrente continua adatta al funzionamento del riscaldatore. È necessario rispettare i parametri di funzionamento dell'alimentatore (vedi targhetta dati applicata sull'alimentatore). Utilizzare l'alimentatore in luoghi completamente asciutti e protetti dalla polvere, per alimentare esclusivamente questo riscaldatore. Verificare periodicamente lo stato del cavo dell'alimentatore, al fine di evitare gravi danni. Rispettare tutte le avvertenze relative all'alimentatore riportate nel presente manuale.

►► 4.2. BATTERIA (dove presente):

(Fig. 5) Il riscaldatore può funzionare in modo autonomo con una batteria ricaricabile originale al Li-ion, senza dover essere collegato alla rete elettrica. La batteria ricaricabile è fornita parzialmente carica e per questo si consiglia di eseguire un ciclo di ricarica completo prima dell'utilizzo della batteria. Utilizzare solo batterie originali per alimentare il riscaldatore. Rispettare tutte le avvertenze relative alla batteria riportate nel presente manuale.

►► 4.3. CARICABATTERIA (dove presente):

(Fig. 6) Il caricabatteria è progettato per ricaricare le batterie ricaricabili originali. È necessario rispettare i parametri di funzionamento dell'caricabatteria (vedi targhetta dati applicata sull'caricabatteria). Utilizzare il caricabatteria in luoghi completamente asciutti e protetti dalla polvere, per caricare esclusivamente batterie ricaricabili originali utilizzabili per alimentare questo riscaldatore. Il caricabatteria è predisposto per gestire in automatico il corretto ciclo di ricarica quando la batteria ricaricabile viene collegata (Fig. 7). Una serie di indicatori luminosi posti sul caricabatteria permette di avere una dettagliata diagnostica durante la fase di

ricerca della batteria (Fig. 8). Rispettare tutte le avvertenze relative alla caricabatteria riportate nel presente manuale.

►►► 5. COLLEGAMENTO E SOSTITUZIONE DELLA BOMBOLA GAS

La bombola gas deve essere sostituita all'aria aperta, lontana da fonti di calore, in atmosfera priva di fiamme.

Per il collegamento della bombola gas al riscaldatore, devono essere utilizzati solo i seguenti accessori:

- Tubo flessibile per gas liquido.
- Regolatore di pressione per gas liquido completo di valvola di sicurezza.

VERIFICARE L'INTEGRITÀ DEL TUBO GAS DI ALIMENTAZIONE. NEL CASO NECESSITI DI ESSERE SOSTITUITO, UTILIZZARE SOLO TUBO DI TIPO FLESSIBILE, ADEGUATO ALLA PRESSIONE DI UTILIZZO, FACENDO RIFERIMENTO ALLE REGOLAMENTAZIONI NAZIONALI.

► Per collegare il riscaldatore alla bombola gas: **ATTENZIONE: TUTTE LE FILETTATURE SONO SINISTRORSE, CIOÈ VANNO SERRATE IN SENSO ANTIORARIO.**

► **5.1.** Avvitare il tubo gas al raccordo del riscaldatore (Fig. 9).

► **5.2.** Installare il regolatore di pressione sulla bombola gas. Assicurarsi che sul regolatore sia presente la guarnizione (se il tipo di attacco la prevede) (Fig. 10).

► **5.3.** Collegare il tubo gas al regolatore di pressione (Fig. 11).

► **5.4.** Aprire il rubinetto della bombola gas (Fig. 12).

► **5.5.** Premere il pulsante sblocco regolatore (Fig. 13). **Verificare la tenuta dei raccordi con acqua saponata: la comparsa di bolle segnalerà eventuali perdite di gas (Fig. 14).** È possibile raccordare fra loro più bombole gas per ottenere una maggiore autonomia. La corretta pressione di funzionamento (vedi targhetta dati applicata sul riscaldatore) è data dal regolatore fornito in dotazione, o da modello equivalente.

►►► 6. ALIMENTAZIONE ELETTRICA UTILIZZARE SOLO LE MODALITÀ DI ALIMENTAZIONE QUI DI SEGUITO DESCRITTE. PER PASSARE DA UNA MODALITÀ ALL'ALTRA, ESEGUIRE LA SEQUENZA DI SPEGNIMENTO (Parag. "9. SPEGNIMENTO"). È VIETATO CAMBIARE MODALITÀ DI ALIMENTAZIONE A RISCALDATORE IN FUNZIONE.

►► 6.1. RISCALDATORE ALIMENTATO DALL'ALIMENTATORE (dove presente):

IL COLLEGAMENTO ALLA RETE ELETTRICA VA SVOLTO IN ACCORDO CON LE NORME NAZIONALI VIGENTI.

Prima di collegare il riscaldatore alla rete elettrica, assicurarsi che:

► **6.1.1.** La rete elettrica sia dotata di interruttore differenziale e di adeguata messa a terra.

► **6.1.2.** La tensione e la frequenza di alimentazione siano corrette (vedi targhetta dati applicata sull'alimentatore).

Collegare l'alimentatore al riscaldatore (Fig. 15), e successivamente collegare l'alimentatore alla rete elettrica (Fig. 16).

►► 6.2. RISCALDATORE ALIMENTATO DALLA BATTERIA RICARICABILE (dove presente):

UTILIZZARE ESCLUSIVAMENTE BATTERIE RICARICABILI ORIGINALI DOTATE DELLA TENSIONE INDICATA SULLA TARGHETTA DATI TECNICI DEL RISCALDATORE.

Inserire la batteria ricaricabile nel vano porta batteria posizionato sotto la base del riscaldatore (Fig. 17).

La batteria ricaricabile (fornite nella confezione, e/o optional a seconda del modello) viene fornita parzialmente carica. Per garantire l'intera potenza della batteria ricaricabile, prima del primo impiego ricaricare completamente la batteria ricaricabile nel caricabatteria originale (ogni batteria necessita dello specifico caricabatteria). La batteria ricaricabile è dotata di un controllo della temperatura "NTC" che consente una ricarica esclusivamente nel campo di temperatura tra 0°C e 40°C. In questo modo viene ottenuta un'elevata durata della batteria ricaricabile.

►► 6.3. RISCALDATORE ALIMENTATO DALL'ALIMENTATORE CON BATTERIA IN-SERITA (dove presente):

Collegare l'alimentatore al riscaldatore (Fig. 15), e successivamente collegare l'alimentatore alla rete elettrica (Fig. 16) (vedi targhetta dati applicata sul riscaldatore). Il riscaldatore esclude in automatico la batteria ricaricabile. L'ALIMENTATORE NON HA FUNZIONE DI CARICABATTERIA, quindi quando il riscaldatore è alimentato dalla rete elettrica, la batteria ricaricabile collegata non viene ricaricata.

►►► 7. ACCENSIONE

►► 7.1. MODALITÀ RISCALDAMENTO:

► 7.1.1. Portare l'interruttore "O/I" in posizione "I" (Fig. 18).

► 7.1.2. Attendere alcuni secondi.

► 7.1.3. Premere il pulsante gas a fondo e tenerlo premuto (Fig. 19).

► 7.1.4. Azionare a fondo e ripetutamente l'accenditore piezoelettrico (Fig. 20), mantenendo premuto il pulsante gas (Fig. 19).

► 7.1.5. Dopo l'accensione della fiamma, tenere premuto il pulsante gas per circa 15s (Fig. 21).

► 7.1.6. Rilasciare il pulsante gas (Fig. 22).

Nel caso di un'interruzione dell'energia elettrica o per mancanza di gas, il riscaldatore si spegnerà. La riaccensione del riscaldatore non è automatica, ma deve essere svolta manualmente, ripetendo la procedura di accensione. Se il riscaldatore non si accende, consultare l'apposita sezione (Parag. "12. ANOMALIE DI FUNZIONAMENTO, CAUSE E RIMEDI").

►► 7.2. MODALITÀ VENTILAZIONE:

Il riscaldatore può essere utilizzato anche come ventilatore. Collegare il riscaldatore alla spina elettrica e/o inserire la batteria ricaricabile e portare l'interruttore "O/I" in posizione "I" (Fig. 18).

N.B.: Con il riscaldatore funzionante in modalità riscaldamento, prima di passare alla modalità ventilazione, eseguire la corretta sequenza di spegnimento (Parag. "9. SPEGNIMENTO").

►►► 8. REGOLAZIONE POTENZA TERMICA

La potenza termica può essere regolata agendo sulla manopola posta sulla base del riscaldatore (Fig. 23).

►►► 9. SPEGNIMENTO

► 9.1. Chiudere la bombola gas (Fig. 24).

► 9.2. Lasciare funzionare il ventilatore per circa 60s, al fine di evitare danni interni per surriscaldamento (raffreddamento interno riscaldatore).

► 9.3. Portare l'interruttore "O/I" in posizione "O" (Fig. 25).

► 9.4. Scollegare il riscaldatore dalla rete (Fig. 26) e/o rimuovere la batteria ricaricabile dalla rete elettrica o scollegare la batteria (Fig. 27).

► 9.5. Scollegare il riscaldatore dal tubo alimentazione gas (Fig. 28-29-30).

►►► 10. PULIZIA E MANUTENZIONE

Almeno una volta all'anno e/o secondo l'esigenza, far verificare dall'assistenza tecnica il corretto funzionamento del riscaldatore. Prima di riporlo dopo l'uso, il riscaldatore deve essere pulito.

► 10.1. Prima di iniziare qualsiasi tipo di lavoro di manutenzione, cura e riparazione sul riscaldatore, eseguire la sequenza di spegnimento (Parag. "9. SPEGNIMENTO").

► 10.2. La pulizia riguarda solamente la presa d'aria (lato posteriore) del riscaldatore.

► 10.3. Quando il riscaldatore viene riutilizzato, controllare lo stato d'integrità del tubo del gas; se avete dubbi sull'integrità, richiedete l'intervento dell'assistenza tecnica.

► 10.4. Non eseguire interventi non autorizzati.

►►► 11. CONSERVAZIONE E TRASPOSTO DELLA BATTERIA

NON CONSERVARE E STOCCARE LA BATTERIA IN LUOGHI A BASSA TEMPERATURA PER UN TEMPO PROLUNGATO.

Le batterie ricaricabili al Li-ion sono soggette ai requisiti di legge relativi a merci pericolose. Le batterie ricaricabili possono essere trasportate su strada dall'utente senza ulteriori precauzioni. In caso di spedizione tramite terzi (per esempio trasporto aereo e/o spedizioniere), devono essere osservati particolari requisiti secondo le norme vigenti. Spedire batterie ricaricabili solamente se la carcassa non è danneggiata. Coprire con nastro adesivo i contatti scoperti, ed imballare la batteria ricaricabile in modo tale che non si muova nell'imballo. Vi preghiamo di osservare anche eventuali ulteriori norme nazionali.

►►► 12. ANOMALIE DI FUNZIONAMENTO, CAUSE E RIMEDI

ANOMALIE DI FUNZIONAMENTO	CAUSE	RIMEDI
Il motore non parte	Mancata tensione (se alimentato dalla rete)	1.Verificare l'impianto di rete 2.Assistenza tecnica
	Batteria scarica (se alimentato dalla batteria)	1.Caricare la batteria 2.Assistenza tecnica
	Alimentazione o batteria difettosa	Assistenza tecnica
	Motore guasto	Assistenza tecnica
La fiamma non si accende	Bombola gas esaurita	Sostituire la bombola gas (Parag. 5)
	Valvola di sicurezza regolatore in blocco	1.Premere il pulsante di sblocco gas del regolatore (Fig. 13) 2.Assistenza tecnica
	Rubinetto bombola gas chiuso	Aprire il rubinetto bombola gas (Fig. 12)
	Circuito accensione difettoso	Assistenza tecnica
La fiamma non rimane accesa	Pulsante gas premuto per un tempo non sufficiente	Premere il pulsante gas più a lungo (Parag. 7.1.5.)
	Riscaldatore difettoso	Assistenza tecnica
Spegnimento della fiamma durante il funzionamento	Insufficiente alimentazione di gas	1.Sostituire la bombola gas (Parag. 5) 2.Assistenza tecnica
	Surriscaldamento del riscaldatore	1.Pulire la presa d'aria (lato posteriore) 2.Assistenza tecnica
	Riscaldatore difettoso	Assistenza tecnica

ZUSAMMENFASSUNG DER ABSCHNITTE

1...	BESCHREIBUNG
2...	WARNHINWEISE
3...	BRENNSTOFFSORTE
4...	BESCHREIBUNG DER ARTIKEL
5...	VERBINDUNG UND WECHSEL DER GASFLASCHE
6...	STROMVERSORGUNG
7...	INBETRIEBNAHME
8...	REGELUNG DER WÄRMELEISTUNG
9...	ABSCHALTEN
10...	REINIGUNG UND WARTUNG
11...	AUFBEWAHRUNG UND TRANSPORT DER BATTERIE
12...	BETRIEBSSTÖRUNGEN, URSACHEN UND ABHILFEN

WICHTIGER HINWEIS: DIESE BEDIENUNGSANLEITUNG MUSS VOR ZUSAMMENBAU, INBETRIEBNAHME BZW. WARTUNG DES HEIZGERÄTES GELESEN UND VERSTANDEN WORDEN SEIN. FALSCHER GEBRAUCH DES HEIZGERÄTES KANN ZU SCHWEREN VERLETZUNGEN FÜHREN. BEWAHREN SIE DIESE ANLEITUNG ZUM SPÄTEREN NACHSCHLAGEN GUT AUF.

►►► 1. BESCHREIBUNG

Dieses tragbare Heizgerät wird mithilfe von Flüssiggas betrieben. Die Heizleistung des Brennstoffes wird hier über den Wärmeaustausch vollständig ausgenutzt, indem die angesaugte Luft mit dem Brennstoff direkt gemischt wird. Ein praktischer Griff erleichtert den Transport des Geräts. Dieses Heizgerät kann über ein besonderes Netzteil oder durch ein System mit aufladbaren Batterien versorgt werden. Das Gerät entspricht der Norm EN 1596.

►►► 2. WARNHINWEISE

►⚠ **WICHTIG:** Das Gerät darf nicht zum Heizen von Wohnräumen und Wohnhäusern verwendet werden. Für die Verwendung in öffentlichen Gebäuden gelten die örtlichen Bestimmungen.

►⚠ **WICHTIG:** Dieses Gerät ist nicht geeignet für den Gebrauch durch Personen (einschließlich Kindern) mit eingeschränkten körperlichen, sensorischen und geistigen Fähigkeiten bzw. ohne ausreichende Fachkenntnis, es sei denn, sie werden durch eine für ihre Sicherheit verantwortliche Person beaufsichtigt. Kinder sind zu beaufsichtigen, damit sie nicht mit dem Gerät spielen. Halten Sie Haustiere in einem

sicheren Abstand vom Gerät.

►⚠ **WICHTIG:** Unsachgemäßer Gebrauch des Heizgerätes kann zu selbst lebensgefährlichen Verletzungen an Personen führen, die durch Verbrennungen, Abschürfungen, Explosionen, Elektroschocks oder Vergiftungen hervorgerufen werden. Die ersten Anzeichen einer Kohlenmonoxidvergiftung sind denen von Grippe mit Kopfschmerzen, Schwindel bzw. Übelkeit ähnlich. Diese Symptome können auf eine Betriebsstörung des Heizgeräts zurückzuführen sein. SOLLTEN DIESE SYMPTOME AUFTRETEN, SOFORT INS FREIE GEHEN und das Heizgerät durch den technischen Kundendienst reparieren lassen.

►⚠ **WICHTIG:** Alle Reinigungs-, Wartungs- und Reparaturarbeiten, die den Zugriff auf gefährliche Bauteile erfordern, müssen durch den Hersteller, dessen Kundendienst oder durch ähnlich qualifiziertes Personal so vorgenommen werden, dass jedes Risiko vermieden wird, auch wenn hier die Abtrennung vom Stromnetz vorgesehen ist.

► 2.1. Für einen ordnungsgemäßen Gebrauch des Heizgeräts und die Aufbewahrung des Brennstoffes sind die örtlichen Bestimmungen und die geltenden Normen zu befolgen.

► **2.2.** Der einwandfreie Betrieb des Heizgerätes erfordert eine zweckmäßige Luftzirkulation. Daher darf dieses nur im Außenbereich oder in geschlossenen Räumen mit kontinuierlicher und sichergestellter Luftzirkulation betrieben werden. Eine gute Belüftung ist dann sichergestellt, wenn das Raumvolumen anhand der thermischen Leistung mit der Formel $100W$ auf $1m^3$ berechnet wird., In keinem Fall darf das Volumen des Raumes unter $100m^3$ liegen. Eine ausreichende Belüftung ist dann sichergestellt, wenn die dafür vorgesehene Öffnung $25cm^2$ pro kW thermischer Leistung mit einem Minimum von $250cm^2$ aufweist, was gleichermaßen zwischen unterem und oberem Teil des Raumes aufgeteilt ist, Für die Installation gelten die örtlichen Vorschriften sowie die technischen Normen und Vorschriften zur Unfall- sowie Brandverhütung.

► **2.3.** Das Heizgerät darf ausschließlich zum Erwärmen der Luft (Heizung) oder zur Bewegung der Luft (Ventilation) verwendet werden. Bei der Verwendung hat man sich genau an die vorliegenden Anweisungen zu halten.

► **2.4.** Der Hersteller haftet nicht für Sach- und/oder Personenschäden, die auf einen sachwidrigen Gebrauch des Geräts zurückzuführen sind.

► **2.5.** Für den Betrieb des Heizgeräts ausschließlich die Brennstoffsorte verwenden, die den Daten des am Gerät angebrachten Schildes entspricht.

► **2.6.** Sicherstellen, dass das Gerät nur an Stromnetze mit FI-Schutzschalter und geeigneter Erdung angeschlossen ist.

► **2.7.** Ausschließlich Verlängerungskabel mit einem geeigneten Querschnitt und Erdleiter verwenden.

► **2.8.** Das Gerät muss auf einer ebenen, stabilen und feuerfesten Fläche stehend betrieben werden.

► **2.9.** Es ist absolut verboten, das Heizgerät in einem Souterrain oder in Räumen unterhalb der Geländeebene zu verwenden.

► **2.10.** Das Heizgerät darf nicht in Räumen verwendet werden, in denen explosive Pulver, Rauch, Gas, Brennstoffe, Lösungsmittel, Lacke vorhanden sind.

► **2.11.** Wird das Heizgerät in der Nähe von Decken, Vorhängen oder ähnlichem Abdeckungsmaterial betrieben, ist empfehlenswert, zusätzliche feuerhemmende Schutzeinrichtungen zu verwenden. Zwischen brennbaren Materialien (Stoffe, Papiere, Holz etc.) bzw. wärmeempfindlichen Stoffen (einschließlich Netzkabel, sofern vorhanden) und den heißen Teilen des Geräts ist ein ausreichender Abstand von nicht weniger als $2,5m$ einzuhalten.

► **2.12.** Die Gasflasche in einen geschützten Bereich hinter das Gerät stellen (Abb. 1). Das Heizgerät darf niemals in Richtung Gasflaschen ausgerichtet werden (Abb. 2).

► **2.13.** Die Luftaufnahme (hinten) und/oder der Luftauslass (vorne) dürfen auf keinen Fall ganz oder teilweise verstopft werden (Abb. 3). Es ist zu vermeiden, Luftleitsysteme vom/zum Heizgerät zu verwenden. Es ist sicherzustellen, dass die Öffnungen zum Ansaugen der Luft am Boden (für Modelle mit dieser Lösung) nicht verstopft werden.

► **2.14.** Lässt sich das Heizgerät nicht einschalten oder es liegen Einschaltprobleme vor, ist im diesbezüglichen Abschnitt nachzuschlagen (Abs. "12 BETRIEBSTÖRUNGEN, URSACHEN UND ABHILFEN")

► **2.15.** Wenn das Gerät an das Stromnetz angeschlossen oder in Betrieb ist, darf es niemals bewegt oder nachgefüllt oder gewartet werden.

► **2.16.** Stets darauf achten, dass der Gasschlauch während des Betriebs oder eines Stillstandes des Heizgeräts nicht beschädigt wird (gequetscht, gebogen, verdreht, gespannt usw.).

► **2.17.** Bei Wahrnehmen von Gasgeruch das Heizgerät unverzüglich ausschalten, die Gasflasche schließen, den Netzstecker abziehen und/oder die aufladbare Batterie entfernen und hiernach den technischen Kundendienst zu Hilfe ziehen.

► **2.18.** Für einen etwaigen Austausch darf nur ein für den Betriebsdruck geeigneter Gasschlauch verwendet werden, wobei die örtlichen Vorschriften zu berücksichtigen sind. Der Gasschlauch muss eine Länge von $1,5m$ aufweisen.

► **2.19.** Wenn das Gerät nicht verwendet wird, den Netzstecker abziehen und/oder die aufladbare Batterie entfernen, die Gaszufuhr sperren, den Gasschlauch vom Heizgerät abtrennen und den Gaseinlassstutzen am Heizgerät schließen.

► **2.20.** Mindestens einmal im Jahr bzw. nach Bedarf den Betrieb des Geräts vom technischen Kundendienst überprüfen lassen.

► **2.21.** Vor dem Anschluss des Netzsteckers und/oder Einschalten der aufladbaren Batterie sicherstellen, dass das Heizgerät ausgeschaltet ist, um Gefahrensituationen vorzubeugen.

► **2.22.** Ausschließlich die originalen und eigens vorgesehenen aufladbaren Batterien verwenden. Die Verwendung anderer als die vorgesehenen Batterien kann zu selbst lebensgefährlichen Verletzungen an Personen führen, die durch Verbrennungen, Abschürfungen, Explosionen, Elektroschocks oder Vergiftungen hervorgerufen werden.

► **2.23.** Klammern, Hartgeld, Schlüssel, Nägel, Schrauben und andere Metallgegenstände dürfen der aufladbaren Batterie nicht nahe kommen, da sie Kurzschluss bewirken könnten. Ein eventueller Kurzschluss zwischen den Batteriekontakten kann zu selbst lebensgefährlichen Verletzungen an Personen führen, die durch Verbrennungen, Explosionen usw. hervorgerufen werden.

► **2.24.** Eine fehlerhafte Anwendung der aufladbaren Batterie kann Leckagen der Batterieflüssigkeit bewirken. Der Kontakt mit der Flüssigkeit ist unbedingt zu vermeiden. Im Falle eines versehentlichen Kontakts reichlich mit Wasser spülen. Bei Kontakt der Flüssigkeit mit den Augen unverzüglich einen Arzt rufen. Die ausgeflossene Batterieflüssigkeit kann Hautreizungen oder Verbrennungen verursachen.

► **2.25.** Eine fehlerhafte Anwendung der aufladbaren Batterie kann Leckagen der Batteriedämpfe bewirken. Diese Dämpfe dürfen nicht eingeatmet werden. Bei versehentlichem Einatmen sofort frische Luft eintreten lassen und im Falle von Beschwerden einen Arzt aufsuchen. Die Dämpfe können die Atemwege irritieren.

► **2.26.** Um keine schweren Risiken einzugehen die aufladbare Batterie weder zu öffnen noch zu demontieren versuchen.

► **2.27.** Um keine schweren Risiken einzugehen die aufladbare Batterie vor Hitze schützen (z.B. andauernde Sonneneinstrahlung, Feuer, Wasser, Feuchtigkeit usw.).

► **2.28.** Die spezifische aufladbare Batterie ausschließlich für dieses Heizgerät verwenden, um gefährliche Überlastungen zu vermeiden.

► **2.29.** Ausschließlich originale aufladbare Batterien verwenden, deren Spannung den technischen Daten des Geräteschildes entspricht. Bei Verwendung anderer aufladbarer Batterien (z.B. gefälschte Batterien, regenerierte Batterien, Batterien der Konkurrenz usw.) besteht die Möglichkeit von Verletzungen und/oder Explosionen.

► **2.30.** Die aufladbare Batterie ausschließlich unter Verwendung von Original-Ladegeräten aufladen. Für jede Batterie ist das spezifische Ladegerät zu verwenden, um Brand- oder Explosionsgefahr zu vermeiden.

► **2.31.** Ausschließlich den in diesem Handbuch vorgesehenen Modus der elektrischen Versorgung anwenden. Für den Wechsel des Modus ist wie beim Abschalten vorzugehen (Abs. "9. ABSCHALTEN"). Der Wechsel des Versorgungsmodus darf nie bei in Betrieb stehendem Gerät ausgeführt werden, um schwere Schäden zu vermeiden.

►►► 3. BRENNSTOFFSORTE

Ausschließlich Gas der Kategorie I₃B/P verwenden.

►►► 4. BESCHREIBUNG DER ARTIKEL

►► 4.1. NETZTEIL (wo vorhanden):

DAS NETZTEIL DIEN T NICHT ALS LADEGERÄT. (Abb. 4) Das Heizgerät funktioniert auch durch Anschluss an das elektrische Netz über eine Vorrichtung, die Netzteil genannt wird. Das Netzteil ist so ausgelegt, dass es am Eingang den vom Netz gelieferten einphasigen Wechselstrom empfängt und ihn am Ausgang als Gleichstrom abgibt, der für den Heizgerätebetrieb geeignet ist. Es ist unabdingbar, dass die Betriebsparameter des Netzteils beachtet werden (vgl. hierzu das Schild am Netzteil). Das Netzteil in einer vollständig trockenen und staubfreien Umgebung ausschließlich zur Versorgung dieses Heizgeräts verwenden. Das Netzteilkabel regelmäßig überprüfen, um schwere Schäden zu vermeiden. Die in diesem Handbuch enthaltenen Hinweise bezüglich des Netzteils beachten.

►► 4.2. BATTERIE (wo vorhanden):

(Abb. 5) Das Heizgerät funktioniert autonom mit einer originalen Li-Ion Batterie ohne Anschluss an das Stromnetz. Die aufladbare Batterie wird mit einer Teilladung geliefert, es ist daher empfehlenswert, sie vor der Verwendung vollständig zu laden. Zur Versorgung des Heizgeräts nur Original-Batterien verwenden. Die in diesem Handbuch enthaltenen Hinweise bezüglich der Batterie beachten.

►► 4.3. LADEGERÄT (wo vorhanden):

(Abb. 6) Das Batterieladegerät wurde zum Aufladen der aufladbaren Original-Batterien entwickelt. Es ist unabdingbar, dass die Betriebsparameter des Ladegeräts beachtet werden (vgl. hierzu das Schild am Ladegerät). Das Ladegerät in einer vollständig trockenen und staubfreien Umgebung ausschließlich zum Laden der aufladbaren Original-Batterien benutzen, die zur Versorgung dieses Heizgeräts verwendbar sind. Das Ladegerät ist so ausgelegt, dass es nach Anschließen an die Batterie einen ordnungsgemäßen Ladezyklus automatisch steuert (Abb. 7). Am Ladegerät sind Leuchtanzeigen angebracht, die eine genaue Diagnose während des Aufladevorgangs ermöglichen (Abb. 8). Die in diesem Handbuch enthaltenen Hinweise bezüglich des Batterieladegeräts beachten.

▶▶▶ 5. VERBINDUNG UND WECHSEL DER GASFLASCHE

Die Gasflasche muss im Freien und in angemessener Entfernung von Wärmequellen, Funken sowie Flammen ausgewechselt werden. Für den Anschluss der Gasflasche an das Heizgerät sind die nachstehend angeführten Zubehörteile zu verwenden:

- Schlauch für Flüssiggase.
- Druckregler für Flüssiggase mit Sicherheitsventil.

DEN GASZUFUHRSCHLAUCH AUF EINWANDFREIEN ZUSTAND ÜBERPRÜFEN. SOLLTE DIESER AUSGETAUSCHT WERDEN MÜSSEN, NUR DURCH EINEN FÜR DEN BETRIEBSDRUCK GEEIGNETEN SCHLAUCH ERSETZEN, WOBEI MAN SICH AN DIE ÖRTLICHEN VORSCHRIFTEN HALTEN MUSS.

▶Für den Anschluss des Heizgeräts an die Gasflasche:

ACHTUNG: ALLE SCHRAUBVERBINDUNGEN SIND LINKSGÄNGIG, D. H. DIESE WERDEN ENTGEGEN UHRZEIGERSINN FESTGESCHRAUBT.

▶ 5.1. Den Schlauch am Anschluss des Heizgeräts anschrauben (Abb. 9).

▶ 5.2. Den Druckregler auf der Gasflasche installieren. Dabei muss sichergestellt werden, dass sich am Druckregler eine Dichtung (wenn der Anschluss dies vorsieht) befindet (Abb. 10).

▶ 5.3. Den Gasschlauch am Druckregler anschrauben (Abb. 11).

▶ 5.4. Hahn der Gasflasche öffnen (Abb. 12).

▶ 5.5. Den Freigabeknopf des Reglers drücken (Abb. 13). **Die Dichtung der Anschlüsse unter Verwendung von Seifenwasser prüfen: Blasenbildung bedeutet Gasleckage (Abb. 14).** Zur Erhöhung der autonomen Betriebsdauer besteht die Möglichkeit mehrere Gasflaschen miteinander zu verbinden. Der richtige Betriebsdruck (Typenschild am Heizgerät) ist durch den beige gestellten Druckregler oder ein gleichwertiges Modell gegeben.

▶▶▶ 6. STROMVERSORGUNG

AUSSCHLIESSLICH DIE IN DIESEM HANDBUCH VORGESEHENEN MODI DER ELEKTRISCHEN VERSORGUNG ANWENDEN. FÜR DEN WECHSEL DES MODUS IST WIE BEIM ABSCHALTEN VORZUGEHEN (Abs. "9. ABSCHALTEN"). DER WECHSEL DES VERSORGUNGSMODUS DARF NIE BEI IN BETRIEB STEHENDEM GERÄT AUSGEFÜHRT WERDEN.

▶▶ 6.1. VOM NETZTEIL VERSORGTES

HEIZGERÄT (wo vorhanden):

DER STROMANSCHLUSS MUSS GEMÄSS DEN GELTENDEN NATIONALEN NORMEN VORGENOMMEN WERDEN.

Vor Stromanschluss des Heizgeräts ist sicherzustellen, dass:

▶ 6.1.1. das Gerät nur an Stromnetze mit FI-Schutzschalter und geeigneter Erdung angeschlossen wird.

▶ 6.1.2. Die Versorgungsspannung und Frequenz richtig sind (vgl. hierzu Datenschild am Netzteil). Das Netzteil mit dem Heizgerät verbinden (Abb. 15) und danach das Netzteil an das Stromnetz anschließen (Abb. 16).

▶▶ 6.2. VOM NETZTEIL VERSORGTES

BATTERIELADEGERÄT (wo vorhanden):

AUSSCHLIESSLICH ORIGINALE AUFLADBARE BATTERIEN VERWENDEN, DEREN SPANNUNG DEN TECHNISCHEN DATEN DES GERÄTESCHILDES ENTSPRICHT.

Die aufladbare Batterie in ihre Aufnahme unter der Heizgerätebasis einsetzen (Abb. 17).

Die aufladbare Batterie (beigepackt und/oder auf Wunsch, je nach Modell) ist im Lieferzustand zum Teil geladen. Damit die aufladbare Batterie die volle Leistung erbringt, ist sie vor der erstmaligen Verwendung im Original-Ladegerät vollständig zu laden (jede Batterie benötigt ein spezifisches Ladegerät). Die aufladbare Batterie ist mit einer Temperaturkontrolle "NTC" ausgestattet, welche die Ladung nur im Temperaturbereich zwischen 0°C und 40°C zulässt. Auf diese Weise wird eine sehr lange Nutzdauer der aufladbaren Batterie erzielt.

▶▶ 6.3. VOM NETZTEIL VERSORGTES

HEIZGERÄT (wo vorhanden):

Das Netzteil mit dem Heizgerät verbinden (Abb. 15) und danach das Netzteil an das Stromnetz anschließen. (Abb. 16) (siehe Datenschild am Heizgerät) Das Heizgerät schließt automatisch die aufladbare Batterie aus. DAS HEIZGERÄT DIENT NICHT ALS BATTERIELADEGERÄT. Wird das Heizgerät vom Stromnetz versorgt, wird die angeschlossene aufladbare Batterie nicht geladen.

▶▶▶ 7. INBETRIEBNAHME

▶▶ 7.1. HEIZMODUS:

▶ 7.1.1. Den Schalter „O/I“ auf „I“ stellen (Abb. 18).

▶ 7.1.2. Einige Sekunden warten.

▶ 7.1.3. Den Taster Gas bis zum Anschlag drücken und gedrückt halten (Abb. 19).

▶ 7.1.4. Den Piezozünder vollständig und wiederholt betätigen (Abb. 20) und dabei den Taster Gas gedrückt halten (Abb. 19).

▶ 7.1.5. Nach Anzünden der Flamme den Taster Gas etwa 15 Sekunden gedrückt halten (Abb. 21).

▶ 7.1.6. Den Taster Gas freigeben (Abb. 22).

Bei Stromausfall oder Mangel an Gas schaltet sich das Heizgerät aus. Das erneute Einschalten des Heizgeräts erfolgt nicht automatisch. Dies muss manuell vorgenommen werden, indem der Zündungsvorgang wiederholt wird. Sollte sich das Heizgerät nicht einschalten, ist im eigenen Abschnitt nachzuschlagen. (Abs. „12 BETRIEBSSTÖRUNGEN, URSACHEN UND ABHILFEN“).

▶▶ 7.2. VENTILATIONSMODUS:

Das Heizgerät kann auch als Ventilator verwendet werden. Hierfür das Gerät an die Stromversorgung anschließen und/oder den Schalter „O/I“ auf „I“ stellen (Abb. 18).

ANM.: Bevor das Heizgerät vom Heizmodus in den Ventilationsmodus gebracht wird, muss es ordnungsgemäß abgeschaltet werden (Abs. „9. ABSCHALTEN“).

▶▶▶ 8. REGELUNG DER WÄRMELEISTUNG

Die Wärmeleistung kann durch Betätigen des Drehknopfes auf der Heizgerätebasis geregelt werden (Abb. 23).

▶▶▶ 9. ABSCHALTEN

▶ 7.1.6. Die Gasflasche schließen (Abb. 24).

▶ 9.2. Den Ventilator ca. 60 Sekunden lang in Betrieb setzen, um Folgeschäden durch Überhitzung zu vermeiden (Kühlung intern des Heizgeräts).

▶ 7.1.1. Den Schalter „O/I“ auf „O“ stellen (Abb. 25).

▶ 9.4. Das Heizgerät vom Netz abtrennen (Abb. 26) und/oder die aufladbare Batterie vom Stromnetz abtrennen oder die Batterie abschließen (Abb. 27).

▶ 9.4. Das Heizgerät vom Schlauch der Gasversorgung abtrennen (Abb. 28-29-30).

▶▶▶ 10. REINIGUNG UND WARTUNG

Mindestens einmal im Jahr bzw. nach Bedarf den Betrieb des Geräts vom technischen Kundendienst überprüfen lassen. Das Gerät muss vor dem Abstellen nach dem Gebrauch gereinigt werden.

▶ 10.1. Das Heizgerät ist vor Beginn sämtlicher Arbeitsgänge zur Wartung, Pflege und Reparatur abzuschalten (Abs. „9. ABSCHALTEN“).

▶ 10.2. Die Reinigung betrifft ausschließlich die Luftaufnahme (hinten) des Heizgeräts.

▶ 10.3. Wenn das Gerät erneut benutzt wird, Erhaltungszustand des Netzkabels kontrollieren; bei Zweifeln hierzu wenden Sie sich bitte an den Kundendienst.

▶ 10.4. Keine eigenmächtige Eingriffe durchführen.

▶▶▶ 11. AUFBEWAHRUNG UND TRANSPORT DER BATTERIE

DIE BATTERIE NIE ÜBER LÄNGERE ZEIT AN KALTEN ORTEN AUFBEWAHREN UND EINLAGERN.

Die aufladbaren Li-Ion Batterien müssen Eigenschaften aufweisen, die den Gesetzen bezüglich gefährlicher Ware entsprechen. Die aufladbaren Batterien können vom Benutzer auf Straße ohne weitere Vorsichtsmaßnahmen transportiert werden. Beim Versand durch Dritte (z.B. Luftversand und/oder Spediteur) müssen besondere, den geltenden Normen entsprechende Anforderungen beachtet werden. Die aufladbaren Batterien dürfen nur mit dem Gehäuse im einwandfreien Zustand versandt werden. Die freiliegenden Kontakte anhand eines Klebebands abdecken und die aufladbare Batterie so verpacken, dass sie sich in der Verpackung nicht rühren kann. Es wird ersucht, auch eventuelle örtliche Vorschriften zu beachten.

►►► 12. BETRIEBSTÖRUNGEN, URSACHEN UND ABHILFEN

BETRIEBS-STÖRUNGEN	URSACHEN	ABHILFEN
Der Motor startet nicht	Keine Spannung (im Falle einer Stromnetzversorgung)	1. Elektrische Anlage überprüfen 2. Technischer Kundendienst
	Batterie entladen (im Falle einer Batterieversorgung)	1. Die Batterie laden 2. Technischer Kundendienst
	Versorgung oder Batterie fehlerhaft	Technischer Kundendienst
	Motor defekt	Technischer Kundendienst
Flamme entzündet sich nicht	Gasflasche aufgebraucht	Die Gasflasche austauschen (Abs. 5).
	Sicherheitsventil des Reglers gesperrt	1. Den Gas-Freigabeschalter des Reglers betätigen (Abb. 13) 2. Technischer Kundendienst
	Hahn der Gasflasche geschlossen	Den Hahn der Gasflasche öffnen (Abb. 12)
	Schaltkreis der Einschaltung defekt	Technischer Kundendienst
Flamme erlischt nicht	Gasschalter wurde nicht ausreichend lang betätigt	Den Gasschalter länger betätigen (Abs. 7.1.5.)
	Heizgerät defekt	Technischer Kundendienst
Flamme erlischt während des Betriebs	Gaszufuhr unzureichend	1. Die Gasflasche austauschen (Abs. 5) 2. Technischer Kundendienst
	Überhitzung des Heizgeräts	1. Luftaufnahme reinigen (Rückseite) 2. Technischer Kundendienst
	Heizgerät defekt	Technischer Kundendienst

de

ÍNDICE DE APARTADOS


1...	DESCRIPCIÓN
2...	ADVERTENCIAS
3...	TIPO DE COMBUSTIBLE
4...	DESCRIPCIÓN DE LOS ARTÍCULOS
5...	CONEXIÓN Y SUSTITUCIÓN DE LA BOMBONA DE GAS
6...	ALIMENTACIÓN ELÉCTRICA
7...	ENCENDIDO
8...	REGULACIÓN DE LA POTENCIA TÉRMICA
9...	APAGADO
10...	LIMPIEZA Y MANTENIMIENTO
11...	CONSERVACIÓN Y TRANSPORTE DE LA BATERÍA
12...	ANOMALÍAS DE FUNCIONAMIENTO, CAUSAS Y SOLUCIONES


IMPORTANTE: LEA Y COMPRENDA ESTE MANUAL OPERATIVO ANTES DE REALIZAR EL ENSAMBLADO, LA PUESTA EN FUNCIONAMIENTO O EL MANTENIMIENTO DE ESTE GENERADOR. EL USO INCORRECTO DEL GENERADOR PUEDE CAUSAR LESIONES GRAVES. CONSERVE ESTE MANUAL PARA FUTURAS CONSULTAS.


▶▶▶ 1. DESCRIPCIÓN


Se trata de un calefactor de aire portátil que funciona con gas líquido. Se caracteriza por aprovechar totalmente el combustible, mediante intercambio térmico por mezcla directa entre el aire aspirado y los productos de la combustión. Dispone de una práctica manija para facilitar su transporte y manejo. Este calefactor puede ser alimentando mediante un alimentador específico, o bien por un sistema de baterías recargables. Ha sido construido respetando la Norma EN 1596.

▶▶▶ 2. ADVERTENCIAS

▶  **IMPORTANTE:** No lo utilice para calentar áreas habitables de edificios residenciales; para su uso en edificios públicos, consulte la normativa nacional.

▶  **IMPORTANTE:** Este calefactor no debe ser utilizado por personas (incluidos los niños) con capacidades físicas, sensoriales y mentales reducidas o por personas inexpertas, a menos que estas cuenten con la supervisión de una persona responsable por su seguridad. Se debe controlar a los niños para asegurarse de que no jueguen con el calefactor. Mantenga los animales a una distancia de seguridad del calefactor.

▶  **IMPORTANTE:** El uso incorrecto de este calefactor puede provocar daños o poner en peligro la vida de las personas, lesiones, quemaduras, explosiones, descargas eléctricas o envenenamientos. Los primeros síntomas de asfixia por óxido de carbono se asemejan a los de la gripe, con cefaleas, mareos y/o náuseas. Estos síntomas podrían ser ocasionados por el funcionamiento defectuoso del calefactor. SI SE PRESENTAN ESTOS SÍNTOMAS, SALGA INMEDIATAMENTE AL AIRE LIBRE y póngase en contacto con el centro de asistencia para que se encarguen de su reparación.

▶  **IMPORTANTE:** Todas las operaciones de limpieza, mantenimiento y reparación que requieran el acceso a partes peligrosas deben ser llevadas a cabo por el fabricante, por su servicio de asistencia técnica o por una persona con una cualificación similar, para evitar riesgos, incluso si está prevista la desconexión de la red de alimentación.

▶ 2.1. Para un uso correcto de calefactor y para conservar idóneamente el combustible, aténgase a todos los reglamentos locales y a la normativa vigente.

► **2.2.** El calefactor para funcionar requiere una circulación del aire adecuada. Por consiguiente, éste debe utilizarse al aire libre o en habitaciones con una circulación de aire garantizada y continua. Una buena ventilación está asegurada cuando el volumen de la habitación ha sido calculado a partir de la potencia térmica, con la fórmula de 1m^3 cada 100W de potencia. El volumen en la habitación nunca debe ser inferior a 100m^3 . Para garantizar una buena ventilación, debe existir una abertura que satisfaga la fórmula de 25cm^2 por kW de potencia térmica, con un mínimo de 250cm^2 , dividido de forma equilibrada entre la parte superior y la parte inferior de la habitación. Para la instalación, hay que remitirse a las normas nacionales vigentes, incluidas las normas técnicas y las disposiciones correspondientes a la prevención de accidentes y de incendios.

► **2.3.** El calefactor solo debe utilizarse para calentar el aire (modo calefacción) o para poner en circulación el aire (modo ventilación). Para usar el aparato, siga escrupulosamente estas instrucciones.

► **2.4.** El fabricante declina toda responsabilidad por daños a personas y/o cosas derivados de un uso incorrecto del calefactor.

► **2.5.** Alimente el calefactor única y exclusivamente con el tipo de combustible expresamente especificado en la placa de datos fijada en el calefactor.

► **2.6.** Asegúrese de conectar el calefactor solo a redes eléctricas equipadas con un interruptor diferencial y con una adecuada puesta a tierra.

► **2.7.** Utilice única y exclusivamente alargadores con una sección adecuada, con cable de puesta a tierra.

► **2.8.** El calefactor debe funcionar en una superficie nivelada, estable e ignífuga, para evitar riesgos de incendio.

► **2.9.** Está terminantemente prohibido utilizar el calefactor en habitaciones situadas en semisótanos o bajo el nivel del suelo.

► **2.10.** El calefactor no debe ser utilizado en locales donde hay polvos explosivos, humos, gases, combustibles, disolventes, pinturas.

► **2.11.** Si el calefactor se emplea cerca de lonas, cortinas o materiales similares, se aconseja utilizar protecciones adicionales de tipo ignífugo. Procure mantener una distancia adecuada, que nunca deberá ser inferior a los 2,5m respecto de materiales inflamables (telas, papel, madera, etc.) o termolábiles (incluido el cable del alimentador, de estar presente), respecto de las partes calientes del calefactor.

► **2.12.** Coloque la bombona de gas en una posición protegida, detrás del aparato (Fig. 1). El calefactor nunca debe ser orientado hacia la bombona de gas (Fig. 2).

► **2.13.** Está prohibido obstruir completa o parcialmente la toma de aire (lado posterior) y/o la boca de salida del aire (lado anterior) (Fig. 3). Evite el uso de canalizaciones de aire desde/hacia el calefactor. Asegúrese de que no se obstruyan las ranuras de aspiración del aire presentes en el fondo de la base (para los modelos que adoptan esta solución).

► **2.14.** Si el aparato no se enciende o se enciende de forma anómala, consulte la oportuna sección (Apdo. "12. ANOMALÍAS DE FUNCIONAMIENTO, CAUSAS Y SOLUCIONES").

► **2.15.** El calefactor, cuando está funcionando, nunca debe ser desplazado, manipulado ni sujeto a ningún tipo de intervención de mantenimiento.

► **2.16.** En cualquier condición de uso o de estacionamiento del calefactor, preste atención a que el tubo del gas flexible no se estropee (aplastado, doblado, torcido, tensado, etc.).

► **2.17.** Si percibe olor a gas, apague de inmediato el calefactor, cierre la bombona de gas, desconecte el enchufe de alimentación de la red y/o extraiga la batería recargable, y, después, póngase en contacto con el servicio de asistencia técnica.

► **2.18.** En caso de sustitución del tubo del gas, utilice solo tubos de tipo flexible adecuados para la presión de uso, respetando siempre los reglamentos nacionales. El tubo del gas debe tener una longitud de 1,5m.

► **2.19.** Cuando no utilice el calefactor, desconecte el enchufe del alimentador de red y/o extraiga la batería recargable; corte la línea de alimentación del gas, desconecte el tubo del gas del calefactor y tape la entrada del gas presente en el calefactor.

► **2.20.** Póngase en contacto con el servicio de asistencia técnica al menos una vez al año y/o según las necesidades, para que controle el correcto funcionamiento del aparato.

► **2.21.** Asegúrese de que el calefactor esté apagado, antes de conectar el enchufe eléctrico del alimentador y/o introducir la batería recargable, para prevenir cualquier tipo de riesgo.

► **2.22.** Utilice única y exclusivamente baterías recargables originales explícitamente previstas. El uso de baterías recargables no previstas puede provocar daños o peligros para las personas, lesiones, quemaduras, explosiones, descargas eléctricas o envenenamientos.

► **2.23.** Mantenga una distancia de seguridad adecuada entre la batería recargable desconectada y pasadores, monedas, llaves, clavos, tornillos y

otros objetos pequeños metálicos que podrían provocar un cortocircuito. Un cortocircuito entre los contactos de la batería recargable puede provocar daños o peligros para la vida de las personas, así como lesiones, quemaduras, explosiones, etc..

▶ 2.24. El uso erróneo de la batería recargable puede provocar fugas de líquido de la batería. Evite el contacto. En caso de contacto accidental, lávese abundantemente con agua. Consulte de inmediato a un médico, si el líquido ha entrado en contacto con sus ojos. Si la batería pierde líquido, este último puede provocar irritaciones cutáneas o quemaduras.

▶ 2.25. El uso incorrecto de la batería recargable puede provocar la salida de vapores de la batería. Evite a cualquier costa inhalar estos vapores. Deje entrar aire fresco y, en caso de inhalación accidental, visite a un médico. Los vapores pueden irritar las vías respiratorias.

▶ 2.26. Para evitar riesgos graves, no intente abrir/desmontar la batería recargable.

▶ 2.27. Para evitar riesgos graves, proteja la batería recargable del calor (por ejemplo, de la luz solar continua, del fuego, del agua, de la humedad, etc.).

▶ 2.28. Utilice la batería recargable específica exclusivamente con este calefactor para evitar sobrecargas peligrosas.

▶ 2.29. Utilice exclusivamente baterías recargables originales con la tensión indicada en la placa de datos técnicos del calefactor. Si utiliza otro tipo de baterías recargables (por ejemplo, baterías de imitación, baterías regeneradas, baterías de la competencia, etc.) existe el peligro de lesiones y/o explosiones.

▶ 2.30. Cargue la batería recargable única y exclusivamente cargadores de baterías originales. Cada batería necesita su cargador específico para evitar riesgos de incendio y de explosión.

▶ 2.31. Utilice solo las modalidades de alimentación eléctrica previstas en este manual. Para pasar de una modalidad a otra, siga la secuencia de apagado (Apdo. "9. APAGADO"). Está prohibido cambiar la modalidad de alimentación con el calefactor en funcionamiento, para evitar daños graves.

▶▶▶ 3. TIPO DE COMBUSTIBLE

Utilice solo gas de la categoría I₃B/P.

▶▶▶ 4. DESCRIPCIÓN DE LOS ARTÍCULOS

▶▶ 4.1. ALIMENTADOR (cuando esté presente):

EL ALIMENTADOR NO DEBE SER UTILIZADO COMO CARGADOR DE BATERÍAS.

(Fig. 4) El calefactor puede funcionar conectado a la red eléctrica mediante un dispositivo denominado alimentador. El alimentador está protegido para recibir en entrada la corriente alterna monofásica suministrada por la red y convertirla en salida en corriente continua adecuada para el funcionamiento del calefactor. Es necesario respetar los parámetros de funcionamiento del alimentador (véase la placa de datos fijada en el alimentador). Utilice el alimentador en lugares completamente secos y protegidos del polvo, para alimentar exclusivamente este aparato. Compruebe periódicamente el estado del cable del alimentador, para evitar daños graves. Respete todas las advertencias acerca del alimentador referidas en este manual.

▶▶ 4.2. BATERÍA (de estar presente):

(Fig. 5) El calefactor puede funcionar de forma autónoma con una batería recargable original de Li-ión, sin necesidad de conectarlo a la red eléctrica. La batería recargable se suministra parcialmente cargada y por ello, se aconseja ejecutar un ciclo de recarga completo antes de su uso. Utilice solo baterías originales para alimentar el calefactor. Respete todas las advertencias acerca de la batería referidas en este manual.

▶▶ 4.3. CARGADOR DE BATERÍAS (cuando esté presente):

(Fig. 6) El cargador de baterías ha sido proyectado para recargar las baterías originales. Es necesario respetar los parámetros de funcionamiento del cargador de baterías (véase la placa de datos fijada en el cargador). Utilice el cargador de baterías en lugares completamente secos y protegidos del polvo, para cargar exclusivamente baterías recargables originales idóneas para alimentar este aparato. El cargador de baterías está preparado para gestionar de forma automática el ciclo de carga correcto cuando la batería recargable se conecta (Fig. 7). Una serie de indicadores luminosos ubicados en el cargador de baterías permite disponer de un diagnóstico detallado durante la fase de búsqueda de la batería (Fig. 8). Respete todas las advertencias acerca del cargador de baterías referidas en este manual.

►►► 5. CONEXIÓN Y SUSTITUCIÓN DE LA BOMBONA DE GAS

La operación de sustitución de la bombona de gas debe realizarse al aire abierto, lejos de fuentes de calor y en una atmósfera sin presencia de llamas. Para conectar la bombona de gas al calefactor, hay que utilizar los siguientes accesorios:

- Tubo flexible para gas líquido.
- Regulador de presión para gas líquido equipado con válvula de seguridad.

COMPRUEBE EL PERFECTO ESTADO DEL TUBO DE GAS DE ALIMENTACIÓN. SI HA DE SER SUSTITUIDO, UTILICE SOLO UN TUBO DE TIPO FLEXIBLE, ADECUADO PARA LA PRESIÓN DE USO, RESPETANDO LAS REGLAMENTACIONES NACIONALES.

► Para conectar el calefactor a la bombona de gas:

ATENCIÓN: TODAS LAS ROSCAS SE CIERRAN EN EL SENTIDO CONTRARIO A LAS AGUJAS DEL RELOJ.

► **5.1.** Atornille el tubo del gas en el racor del calefactor (Fig. 9).

► **5.2.** Instale el regulador de presión en la bombona de gas. Asegúrese de la presencia de la junta en el regulador (si el tipo de acoplamiento la prevé) (Fig. 10).

► **5.3.** Conecte el tubo de gas al regulador de presión (Fig. 11).

► **5.4.** Abra la válvula de la bombona de gas (Fig. 12).

► **5.5.** Presione el pulsador de desbloqueo del regulador (Fig. 13). **Compruebe la estanquidad de los racores con agua jabonosa: la aparición de burbujas le indicará que hay pérdidas de gas (Fig. 14).** Es posible conectar varias bombas entre ellas para conseguir una mayor autonomía. La presión correcta de funcionamiento (consulte la placa de datos fijada en el calefactor) es indicada por el regulador suministrado con el aparato, o por un modelo equivalente.

►►► 6. ALIMENTACIÓN ELÉCTRICA EMPLEE SOLO LAS MODALIDADES DE ALIMENTACIÓN QUE SE DESCRIBEN A CONTINUACIÓN. PARA PASAR DE UNA MODALIDAD A OTRA, SIGA LA SECUENCIA DE APAGADO (Apdo. "9. APAGADO"). ESTÁ PROHIBIDO CAMBIAR DE MODALIDAD DE ALIMENTACIÓN CON EL CALEFACTOR EN FUNCIONAMIENTO.

►► 6.1. CALEFACTOR ALIMENTADO A TRAVÉS DE ALIMENTADOR (si está presente):

LA CONEXIÓN A LA RED ELÉCTRICA DEBE LLEVARSE A CABO RESPETANDO LAS NORMAS NACIONALES VIGENTES.

Antes de conectar el calefactor a la red eléctrica, asegúrese de que:

► **6.1.1.** La red eléctrica disponga de interruptor diferencial y de una adecuada conexión a tierra.

► **6.1.2.** La tensión y la frecuencia de alimentación sean correctas (consulte la placa de datos fijada en el alimentador).

Conecte el alimentador al calefactor (Fig. 15) y, después, conecte el alimentador a la red eléctrica (Fig. 16).

►► 6.2. CALEFACTOR ALIMENTADO POR LA BATERÍA RECARGABLE (si está presente):

UTILICE EXCLUSIVAMENTE BATERÍAS RECARGABLES ORIGINALES CON LA TENSIÓN INDICADA EN LA PLACA DE DATOS TÉCNICOS DEL CALEFACTOR.

Introduzca la batería recargable en el compartimento de baterías situado debajo de la base del calefactor (Fig. 17).

La batería recargable (suministrada con el aparato, y/o opcional en función del modelo) se entrega parcialmente cargada. Para garantizar la potencia máxima de la batería recargable, antes del primer encendido, recargue completamente la batería con el cargador original (cada batería requiere su cargador específico). La batería recargable dispone de un control de temperatura "NTC" que permite una recarga exclusivamente en un campo de temperatura que oscila entre los 0°C y los 40°C. De esta forma, se prolonga la vida útil de la batería recargable.

►► 6.3. CALEFACTOR ALIMENTADO MEDIANTE ALIMENTADOR CON LA BATERÍA MONTADA (de estar presente):

Conecte el alimentador al calefactor (Fig. 15) y, después, conecte el alimentador a la red eléctrica (Fig. 16) (véase la placa de datos fijada en el calefactor). El calefactor excluye automáticamente la batería recargable. EL ALIMENTADOR NO PUEDE FUNCIONAR CON CARGADOR DE BATERÍAS, por tanto, cuando el calefactor está alimentado desde la red eléctrica, la batería recargable conectada no se recarga.

▶▶▶ 7. ENCENDIDO

▶▶ 7.1. MODALIDAD DE CALENTAMIENTO:

▶ 7.1.1. Sitúe el interruptor "O/I" en la posición "I" (Fig. 18).

▶ 7.1.2. Espere unos segundos.

▶ 7.1.3. Presione el pulsador de gas a fondo y manténgalo presionado (Fig. 19).

▶ 7.1.4. Accione a fondo y repetidamente el encendedor (piezoeléctrico Fig. 20), manteniendo presionado el pulsador de gas (Fig. 19).

▶ 7.1.5. Una vez encendida la llama, mantenga presionado el pulsador de gas durante unos 15 s (Fig. 21).

▶ 7.1.6. Suelte el pulsador de gas (Fig. 22).

Si la energía eléctrica se interrumpe, o si falta gas, el calefactor se apaga. La nueva puesta en marcha del calefactor no es automática, sino manual, repitiendo el procedimiento de encendido. Si el calefactor no se enciende, consulte el capítulo oportuno (Apdo. "12. ANOMALÍAS DE FUNCIONAMIENTO, CAUSAS Y SOLUCIONES").

▶▶ 7.2. MODALIDAD DE VENTILACIÓN:

El calefactor puede utilizarse también como ventilador. Conecte el calefactor a la toma eléctrica y/o introduzca la batería recargable y sitúe el interruptor "O/I" en la posición "I" (Fig. 18).

NOTA: Con el calefactor en funcionamiento en modo de calefacción, antes de pasar al modo de ventilación, siga la secuencia correcta de apagado (Apdo. "9. APAGADO").

▶▶▶ 8. REGULACIÓN DE LA POTENCIA TÉRMICA

La potencia térmica puede regularse interviniendo en el selector giratorio situado en la base del calefactor (Fig. 23).

▶▶▶ 9. APAGADO

▶ 9.1. Cierre la bombona de gas (Fig. 24).

▶ 9.2. Deje en funcionamiento el ventilador durante unos 60 s, para evitar daños internos a causa de un sobrecalentamiento (enfriamiento interno del calefactor).

▶ 9.3. Sitúe el interruptor "O/I" en la posición "O" (Fig. 25).

▶ 9.4. Desconecte el calefactor de la red (Fig. 26) y/o extraiga la batería recargable de la red eléctrica, o desconecte la batería (Fig. 27).

▶ 9.5. Desconecte el calefactor del tubo de alimentación del gas (Fig. 28-29-30).

▶▶▶ 10. LIMPIEZA Y MANTENIMIENTO

Al menos una vez al año, y/o según las necesidades, encargue al servicio de asistencia técnica la comprobación del correcto funcionamiento del calefactor. Antes de guardar el calefactor tras el uso, hay que limpiarlo.

▶ 10.1. Antes de someter el calefactor a intervenciones de mantenimiento, limpieza o reparación, siga la secuencia de apagado (Apdo. "9. APAGADO").

▶ 10.2. La limpieza debe limitarse a la toma de aire (lado posterior) del calefactor.

▶ 10.3. Cuando vuelva a utilizar el calefactor, controle el estado de integridad del tubo del gas; si tiene dudas, solicite la intervención del servicio de asistencia técnica.

▶ 10.4. No realice intervenciones no autorizadas.

▶▶▶ 11. CONSERVACIÓN Y TRANSPORTE DE LA BATERÍA

NO CONSERVE NI ALMACENE LA BATERÍA EN LUGARES FRÍOS DURANTE UN PERIODO DE TIEMPO PROLONGADO.

Las baterías recargables de iones de Litio están sujetas a los requisitos legales sobre mercancías peligrosas. El usuario puede transportar por carretera las baterías recargables sin tener que adoptar otras precauciones adicionales. Si se envían a través de terceros (por ejemplo, transporte aéreo y/o transportista), hay que respetar los requisitos impuestos por las normas en vigor. Las baterías solo pueden enviarse si su carcasa no está estropeada. Cubra con cinta adhesiva los contactos que estén descubiertos, y embale la batería recargable de tal forma que quede inmovilizada en el embalaje. Le rogamos encarecidamente que respete las eventuales normas nacionales.

►►► 12. ANOMALÍAS DE FUNCIONAMIENTO, CAUSAS Y SOLUCIONES

ANOMALÍAS DE FUNCIONAMIENTO	CAUSAS	SOLUCIONES
El motor no arranca	Falta de tensión (si es alimentado desde la red)	1.Compruebe la instalación eléctrica 2.Asistencia técnica
	Batería descargada (si es alimentado desde la batería)	1.Cargue la batería 2.Asistencia técnica
	La alimentación o la batería es defectuosa	Asistencia técnica
	Motor averiado	Asistencia técnica
La llama no se enciende	La bombona de gas está agotada	Sustituya la bombona de gas (Apdo. 5)
	La válvula de seguridad del regulador está bloqueada	1.Presione el pulsador de desbloqueo del gas del regulador (Fig. 13) 2.Asistencia técnica
	La llave de paso de la bombona está cerrada	Abra la llave de paso de la bombona de gas (Fig. 12)
	El circuito de encendido es defectuoso	Asistencia técnica
La llama no se mantiene encendida	El tiempo de presión del pulsador de gas ha sido insuficiente	Presione el pulsador de gas durante más tiempo (Apdo. 7.1.5.)
	Calefactor defectuoso	Asistencia técnica
La llama se apaga durante el funcionamiento	La alimentación de gas es insuficiente	1.Sustituya la bombona de gas (Apdo. 5) 2.Asistencia técnica
	Sobrecalentamiento del calefactor	1.Limpie la toma de aire (lado posterior) 2.Asistencia técnica
	Calefactor defectuoso	Asistencia técnica

SOMMAIRE DES PARAGRAPHES


1...	DESCRIPTION
2...	AVERTISSEMENTS
3...	TYPE DE COMBUSTIBLE
4...	DESCRIPTION DES COMPOSANTS
5...	BRANCHEMENT ET REMPLACEMENT DE LA BOUTEILLE DE GAZ
6...	ALIMENTATION ÉLECTRIQUE
7...	ALLUMAGE
8...	RÉGLAGE DE LA PUISSANCE THERMIQUE
9...	EXTINCTION
10...	NETTOYAGE ET ENTRETIEN
11...	STOCKAGE ET TRANSPORT DE LA BATTERIE
12...	ANOMALIES DE FONCTIONNEMENT, CAUSES ET SOLUTIONS


IMPORTANT: LIRE ET COMPRENDRE CE MANUEL OPERATIF AVANT D'EFFECTUER L'ASSEMBLAGE, LA MISE EN MARCHÉ OU L'ENTRETIEN DE CE GÉNÉRATEUR. UNE MAUVAISE UTILISATION PEUT CAUSER DES GRAVES BLESSURES. VEUILLEZ GARDER CE MANUEL COMME RÉFÉRENCE FUTURE.

►►► 1. DESCRIPTION

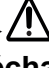
Réchauffeur d'air à gaz liquide, portable, caractérisé par une combustion complète du combustible, fonctionnant par échange thermique assuré par un mélange directe entre l'air aspiré et les produits de la combustion. Il est pourvu d'une pratique poignée facilitant son transport et déplacement. Ce réchauffeur peut être alimenté par un alimentateur spécifique ou bien par un système de batteries rechargeables. Il est fabriqué selon la Norme EN 1596.


►►► 2. AVERTISSEMENTS

►  **IMPORTANT:** Ne pas utiliser pour chauffer des zones habitables de bâtiments résidentiels; pour l'emploi dans des bâtiments publics, se référer aux dispositions réglementaires nationales.

►  **IMPORTANT:** Ce réchauffeur n'est pas prévu pour être utilisé par des personnes (y compris les enfants) dont les capacités physiques, sensorielles ou mentales sont réduites, ou des personnes dénuées d'expérience ou de connaissance, sauf si elles ont pu bénéficier, par l'intermédiaire d'une personne responsable de leur sécurité, d'une surveillance. Il convient de surveiller

les enfants pour s'assurer qu'ils ne jouent pas avec le réchauffeur. Garder les animaux à une distance de sécurité du réchauffeur.

►  **IMPORTANT:** L'utilisation impropre de ce réchauffeur peut provoquer des dommages et des explosions ou entraîner des lésions, des brûlures, l'électrochoc, l'empoisonnement et même la mort. Les premiers symptômes de l'asphyxie par le monoxyde de carbone ressemblent à ceux de la grippe, avec des maux de tête, des vertiges et/ou des nausées. Ces symptômes pourraient être causés par un fonctionnement défectueux du réchauffeur. SI CES SYMPTÔMES APPARAISSENT, SORTIR IMMÉDIATEMENT EN PLEIN AIR et faire réparer le réchauffeur par le service technique.

►  **IMPORTANT:** Faire effectuer toutes les opérations de nettoyage, d'entretien et de réparation nécessitant l'accès à des parties dangereuses, par le constructeur, par son service technique ou par une personne ayant une qualification similaire, de façon à prévenir tout risque, même si l'appareil doit être débranché du réseau électrique.

► 2.1. Pour un emploi correcte du réchauffeur et pour le stockage du combustible, respecter les ordonnances locales ainsi que la réglementation en vigueur.

► **2.2.** Pour que le réchauffeur fonctionne correctement il nécessite un renouvellement d'air approprié. Par conséquent, il doit être utilisé en plein air ou bien dans des endroits avec un rechange d'air constant. Une bonne aération est assurée lorsque le volume de la pièce est calculé sur la base de la puissance thermique, en utilisant la formule de 1m³ par 100W de puissance. En aucun cas le volume recommandé de la pièce devra être inférieur à 100m³. Une bonne ventilation est garantie par une ouverture qui puisse satisfaire la formule de 25cm² par kW de puissance thermique, de 250cm² minimum, équitablement partagée entre la partie supérieure et celle inférieure de la pièce. Pour l'installation, respecter les dispositions réglementaires nationales en vigueur, les normes techniques ainsi que les dispositions relatives à la prévention des accidents.

► **2.3.** Utiliser le réchauffeur exclusivement pour chauffer de l'air (mode chauffage) ou bien pour faire bouger l'air (mode ventilation). Pour l'emploi de l'appareil suivre attentivement les instructions présentes.

► **2.4.** Le constructeur décline toute responsabilité pour tout dommage corporel ou matériel éventuel résultant d'une utilisation impropre du réchauffeur.

► **2.5.** Alimenter le réchauffeur exclusivement avec/ par le type de combustible expressément indiqué sur la plaque signalétique du réchauffeur.

► **2.6.** S'assurer de brancher le réchauffeur exclusivement à des réseaux pourvus d'interrupteur différentiel et d'une mise à la terre appropriée.

► **2.7.** Utiliser exclusivement des rallonges ayant une section appropriée et pourvues de mise à la terre.

► **2.8.** Le réchauffeur doit être utilisé sur une surface nivelée, stable et ignifuge, de façon à éviter tout risque d'incendie.

► **2.9.** Il est absolument interdit d'utiliser le réchauffeur dans des sous-sols ou en dessous du niveau du sol.

► **2.10.** Ne pas utiliser le réchauffeur en présence de poussières explosives, de fumées, de gaz, de combustibles, de solvants ou de vernis.

► **2.11.** Lorsque le réchauffeur est utilisé à proximité de housses, de bâches ou de matériels de couverture similaires, il est conseillé d'utiliser des protections ignifuges supplémentaires. S'assurer de maintenir les matériels inflammables (étoffe, papier, bois, etc.) ou thermolabiles (y compris le câble d'alimentation, si présent) à une distance adéquate, qui ne devra en aucun cas être inférieure à 2,5m, des parties chaudes du réchauffeur.

► **2.12.** Placer la bouteille de gaz dans un endroit protégé, derrière l'appareil (Fig. 1). Ne jamais

orienter le réchauffeur en direction de la bouteille de gaz (Fig. 2).

► **2.13.** Il est absolument interdit d'obstruer, même partiellement, la prise d'air (côté arrière) et/ou la bouche de sortie de l'air (côté avant) (Fig. 3). Éviter d'utiliser toute canalisation d'air du/vers le réchauffeur. S'assurer que les fentes d'aspiration de l'air présentes sur le fond de la base ne soient pas obstruées (pour les modèles adoptant cette solution).

► **2.14.** En cas de non-allumage, ou d'allumage anormal du réchauffeur, se référer à la section relative (Par. "12. ANOMALIES DE FONCTIONNEMENT, CAUSES ET SOLUTIONS").

► **2.15.** Ne jamais déplacer, manipuler ni effectuer toute opération d'entretien sur le réchauffeur lorsque ce dernier est en fonction.

► **2.16.** En toute condition d'emploi ou de stationnement du réchauffeur, prêter attention à ce que le tuyau de gaz flexible ne soit pas endommagé (écrasé, plié, tordu, tendu, etc.).

► **2.17.** En cas d'odeur de gaz, éteindre immédiatement le réchauffeur, fermer la bouteille de gaz, débrancher la prise d'alimentation du réseau électrique et/ou enlever la batterie rechargeable et contacter le service technique.

► **2.18.** En cas de remplacement du tuyau de gaz, utiliser exclusivement des tuyaux flexibles appropriés à la pression de fonctionnement en respectant les réglementations nationales. Le tuyau de gaz doit avoir une longueur de 1,5m.

► **2.19.** Lorsque le réchauffeur n'est pas utilisé, débrancher la prise du réseau électrique et/ou enlever la batterie rechargeable, fermer l'alimentation de gaz, déconnecter le tuyau de gaz du réchauffeur et boucher l'orifice du gaz sur le réchauffeur.

► **2.20.** Faire vérifier le bon fonctionnement du réchauffeur par le service technique au moins une fois par an et/ou selon les besoins.

► **2.21.** S'assurer que le réchauffeur soit éteint avant de brancher la prise électrique à l'alimentateur et/ou d'insérer la batterie rechargeable, de manière à prévenir tout risque.

► **2.22.** Utiliser exclusivement les batteries rechargeables originales spécialement prévues. L'utilisation de batteries rechargeables autres que celles prévues peut provoquer des dommages et des explosions ou entraîner des lésions, des brûlures, l'électrochoc, l'empoisonnement et même la mort.

► **2.23.** Maintenir une distance de sécurité appropriée entre la batterie rechargeable déconnectée et des trombones, des pièces, des clefs, des clous, des vis et de tout autre petit objet en métal qui pourraient provoquer un court-circuit. Un court-

circuit éventuel entre les contacts de la batterie rechargeable pourrait provoquer des dommages et des explosions ou entraîner des lésions, des brûlures, l'électrochoc, l'empoisonnement et même la mort.

► **2.24.** Un mauvais emploi de la batterie rechargeable peut provoquer une fuite de liquide de la batterie. Éviter absolument tout contact. En cas de contact accidentel, rincer soigneusement à l'eau. En cas de contact du liquide avec les yeux, consulter immédiatement un médecin. Le liquide s'étant échappé de la batterie rechargeable pourrait causer des irritations cutanées ou des brûlures.

► **2.25.** L'emploi erroné de la batterie rechargeable pourrait causer l'échappement de vapeurs de la batterie. Il faut absolument éviter d'inhaler ces vapeurs. Aérer la pièce et, en cas d'inhalation accidentelle et de troubles, consulter un médecin. Les vapeurs peuvent irriter les voies respiratoires.

► **2.26.** Afin d'éviter des risques graves ne pas essayer d'ouvrir/démonter la batterie rechargeable.

► **2.27.** Afin d'éviter des risques graves, protéger la batterie rechargeable de la chaleur (par exemple de l'exposition continue aux rayons de soleil, au feu, à l'eau, à l'humidité, etc.).

► **2.28.** Utiliser la batterie rechargeable spécialement prévue exclusivement avec ce réchauffeur afin d'éviter des surcharges dangereuses.

► **2.29.** Utiliser exclusivement des batteries rechargeables originales avec le voltage indiqué sur la plaque signalétique du réchauffeur. L'utilisation de batteries rechargeables autres que celles prévues (par exemple des batteries non originales, des batteries régénérées, des batteries de la concurrence, etc.) peut entraîner un risque de lésions et/ou d'explosions.

► **2.30.** Charger la batterie rechargeable en utilisant exclusivement des chargeurs de batterie originaux. Afin d'éviter tout risque d'incendie et d'explosion, chaque batterie nécessite d'un chargeur de batterie spécifique.

► **2.31.** Utiliser exclusivement les modes d'alimentation électriques prévus dans le présent manuel. Pour changer le mode de fonctionnement, suivre la procédure d'extinction (Par. "9. EXTINCTION"). Il est interdit de changer le mode d'alimentation lorsque le réchauffeur est en fonction afin d'éviter de dommages importants.

►►► 3. TYPE DE COMBUSTIBLE

Utiliser exclusivement du gaz de classe I₃B/P.

►►► 4. DESCRIPTION DES COMPOSANTS

►► 4.1. ALIMENTATEUR (si présent):

L'ALIMENTATEUR NE SERT PAS DE CHARGEUR DE BATTERIE.

(Fig. 4) Le réchauffeur peut fonctionner lorsqu'il est branché au réseau électrique au moyen d'un dispositif appelé alimentateur. L'alimentateur est conçu pour recevoir du courant alternatif monophasé du réseau et le transformer à la sortie en courant continu indiqué au fonctionnement du réchauffeur. Il faut respecter les paramètres de fonctionnement de l'alimentateur (voir plaque signalétique de l'alimentateur). Utiliser l'alimentateur dans des endroits secs et non poussiéreux pour alimenter exclusivement ce réchauffeur. Vérifier périodiquement l'état du câble d'alimentation afin d'éviter tout dommage important. Respecter tous les avertissements relatifs à l'alimentateur fournis dans le présent manuel.

►► 4.2. BATTERIE (si présente):

(Fig. 5) Le réchauffeur peut fonctionner de manière autonome avec une batterie rechargeable originale au lithium-ion, sans devoir être branchée au réseau électrique. La batterie rechargeable est fournie partiellement chargée; il est donc conseillé de la recharger complètement avant de l'utiliser pour la première fois. Utiliser exclusivement des batteries originales pour alimenter le réchauffeur. Respecter tous les avertissements relatifs à la batterie fournis dans le présent manuel.

►► 4.3. CHARGEUR DE BATTERIE (si présent):

(Fig. 6) Le chargeur de batterie est conçu pour charger les batteries rechargeables originales. Respecter les paramètres de fonctionnement du chargeur de batterie (voir plaque signalétique présente sur le chargeur de batterie). Utiliser le chargeur de batterie dans des endroits complètement secs et non poussiéreux pour charger exclusivement des batteries rechargeables originales utilisables pour alimenter ce réchauffeur. Le chargeur de batterie est prévu pour gérer de manière autonome le cycle de chargement correct lorsque la batterie rechargeable y est connectée (Fig. 7). Une série de voyants situés sur le chargeur de batterie permet d'avoir un diagnostic complet durant la phase de chargement de la batterie (Fig. 8). Respecter tous les avertissements relatifs au chargeur de batterie fournis dans le présent manuel.

►►► 5. BRANCHEMENT ET REMPLACEMENT DE LA BOUTEILLE DE GAZ

Opérer le remplacement de la bouteille en plein air, loin de sources de chaleur dans un endroit en l'absence de toute flamme.

Pour relier la bouteille de gaz au réchauffeur, utiliser exclusivement les accessoires ci-après:

- Tuyau flexible à gaz liquide.
- Régulateur de pression de gaz liquide complet de soupape de sécurité.

VÉRIFIER QUE LE TUYAU D'ALIMENTATION DE GAZ SOIT INTACT. EN CAS DE REMPLACEMENT, UTILISER EXCLUSIVEMENT UN TUYAU FLEXIBLE, APPROPRIÉ À LA PRESSION DE FONCTIONNEMENT EN SE RÉFÉRANT AUX RÉGLEMENTATIONS NATIONALES.

► Pour relier le réchauffeur à la bouteille de gaz:
ATTENTION: TOUS LES FILETAGES SONT À FILET GAUCHE, C'EST-À-DIRE QU'IL FAUT LES SERRER DANS LE SENS DES AIGUILLES D'UNE MONTRE.

► **5.1.** Visser le tuyau de gaz au raccord du réchauffeur (Fig. 9).

► **5.2.** Installer le régulateur de pression sur la bouteille de gaz. S'assurer que le régulateur soit pourvu de joint (si le type de raccord le prévoit) (Fig. 10).

► **5.3.** Brancher le tuyau de gaz au régulateur de pression (Fig. 11).

► **5.4.** Ouvrir le robinet de la bouteille de gaz (Fig. 12).

► **5.5.** Appuyer sur le bouton de déblocage du régulateur (Fig. 13). **Vérifier la bonne tenue des raccords avec de l'eau savonneuse: la formation de bulles indiquera la présence de fuites de gaz éventuelles (Fig. 14).** Il est possible de relier plusieurs bouteilles entre elles afin d'avoir plus d'autonomie. La pression de fonctionnement correcte (se référer à la plaque signalétique du réchauffeur) est donnée par le régulateur fourni ou bien par un modèle équivalent.

►►► 6. ALIMENTATION ÉLECTRIQUE
UTILISER EXCLUSIVEMENT LES MODES D'ALIMENTATION INDIQUÉS CI-APRÈS. POUR CHANGER DE MODE, SUIVRE LA PROCÉDURE D'EXTINCTION (Par. "9. EXTINCTION"). IL EST INTERDIT DE CHANGER DE MODE D'ALIMENTATION LORSQUE LE RÉCHAUFFEUR EST EN FONCTION.

►► 6.1. RÉCHAUFFEUR ALIMENTÉ PAR L'ALIMENTATEUR (si présent):

EFFECTUER LA CONNEXION AU RÉSEAU ÉLECTRIQUE CONFORMÉMENT AUX RÉGLEMENTATIONS NATIONALES EN VIGUEUR.

Avant de connecter le réchauffeur au réseau électrique s'assurer que:

► **6.1.1.** Le réseau électrique soit pourvu d'un interrupteur différentiel et de mise à la terre.

► **6.1.2.** Le voltage et la fréquence d'alimentation soient correctes (se référer à la plaque signalétique de l'alimentateur).

Connecter l'alimentateur au réchauffeur (Fig. 15) et ensuite brancher l'alimentateur au réseau électrique (Fig. 16).

►► 6.2. RÉCHAUFFEUR ALIMENTÉ PAR LA BATTERIE RECHARGEABLE (si présente):

UTILISER EXCLUSIVEMENT DES BATTERIES RECHARGEABLES ORIGINALES AYANT LE MÊME VOLTAGE INDIQUÉ SUR LA PLAQUE SIGNALÉTIQUE DU RÉCHAUFFEUR.

Insérer la batterie rechargeable dans l'emplacement spécialement prévu situé au-dessous de la base du réchauffeur (Fig. 17).

La batterie rechargeable (fournie dans l'emballage, e/ou en option suivant le modèle) est fournie partiellement chargée. Afin de garantir le maximum de puissance de la batterie rechargeable, avant de l'utiliser pour la première fois, charger complètement la batterie rechargeable en utilisant le chargeur de batterie original (chaque batterie nécessite d'un chargeur de batterie spécifique). La batterie rechargeable est pourvue d'un dispositif de contrôle de la température "NTC" permettant d'effectuer le rechargement exclusivement dans une fourchette de température comprise entre 0°C et 40°C. Cela permet d'obtenir une longue durée de la batterie rechargeable.

►► 6.3. RÉCHAUFFEUR ALIMENTÉ PAR L'ALIMENTATEUR AVEC BATTERIE INSÉRÉE (si présente):

Connecter l'alimentateur au réchauffeur (Fig. 15) et ensuite brancher l'alimentateur au réseau électrique (Fig. 16) (voir plaque signalétique du réchauffeur). Le réchauffeur exclut automatiquement la batterie rechargeable. **L'ALIMENTATEUR NE SERT PAS DE CHARGEUR DE BATTERIE**, par conséquent, lorsque le réchauffeur est alimenté par le réseau électrique, la batterie rechargeable connectée n'est pas rechargée.

▶▶▶ 7. ALLUMAGE

▶▶ 7.1. MODE CHAUFFAGE:

▶ 7.1.1. Mettre l'interrupteur "O/I" sur la position "I" (Fig. 18).

▶ 7.1.2. Attendre quelques secondes.

▶ 7.1.3. Appuyer à fond sur le bouton poussoir du gaz et le garder appuyé (Fig. 19).

▶ 7.1.4. Appuyer plusieurs fois et à fond sur l'allumeur piézoélectrique (Fig. 20) en gardant appuyé le bouton poussoir du gaz (Fig. 19).

▶ 7.1.5. Une fois la flamme allumée, garder le bouton poussoir du gaz appuyé pendant 15s environ (Fig. 21).

▶ 7.1.6. Relâcher le bouton poussoir du gaz (Fig. 22).

En cas d'interruption de la fourniture d'électricité ou d'un manque de gaz, le réchauffeur s'éteindra. Le réchauffeur ne se rallume pas automatiquement; le rallumer manuellement suivant la procédure d'allumage. Si le réchauffeur ne s'allume pas, se référer à la section relative (Par. "12. ANOMALIES DE FONCTIONNEMENT, CAUSES ET SOLUTIONS").

▶▶ 7.2. MODE VENTILATION:

Le réchauffeur peut aussi servir de ventilateur. Brancher le réchauffeur à la prise électrique et/ou insérer la batterie rechargeable et mettre l'interrupteur "O/I" sur la position "I" (Fig. 18).

N.B.: Lorsque le réchauffeur est en marche en mode chauffage, avant de passer au mode ventilation, suivre la procédure d'extinction correcte (Par. "9. EXTINCTION").

▶▶▶ 8. RÉGLAGE DE LA PUISSANCE THERMIQUE

La puissance thermique peut être réglée en agissant sur le bouton rotatif situé à la base du réchauffeur (Fig. 23).

▶▶▶ 9. EXTINCTION

▶ 9.1. Fermer la bouteille de gaz (Fig. 24).

▶ 9.2. Laisser fonctionner le ventilateur pendant 60s environ afin d'éviter de créer des dommages internes dû à une surchauffe (refroidissement interne du réchauffeur).

▶ 9.3. Mettre l'interrupteur "O/I" sur la position "O" (Fig. 25).

▶ 9.4. Débrancher le réchauffeur du réseau électrique (Fig. 26) et/ou enlever la batterie rechargeable du réseau électrique ou bien déconnecter la batterie (Fig. 27).

▶ 9.5. Débrancher le réchauffeur du tuyau d'alimentation de gaz (Fig. 28-29-30).

▶▶▶ 10. NETTOYAGE ET ENTRETIEN

Faire vérifier le bon fonctionnement du réchauffeur par le service technique au moins une fois par an et/ou selon les besoins. Avant de ranger le réchauffeur après l'emploi, le nettoyer.

▶ 10.1. Avant d'effectuer toute opération d'entretien, nettoyage ou réparation sur le réchauffeur, éteindre l'appareil (Par. "9. EXTINCTION").

▶ 10.2. Le nettoyage concerne exclusivement la prise d'air (côté arrière) du réchauffeur.

▶ 10.3. Avant de réutiliser le réchauffeur, vérifier l'intégrité du tuyau de gaz; en cas de doutes sur son intégrité, consulter le service technique.

▶ 10.4. Éviter d'effectuer toute intervention non autorisée.

▶▶▶ 11. STOCKAGE ET TRANSPORT DE LA BATTERIE

NE PAS CONSERVER ET STOCKER LA BATTERIE À UNE TEMPÉRATURE BASSE PENDANT DE LONGUES PÉRIODES.

Les batteries rechargeables au lithium-ion sont soumises à la réglementation relative aux marchandises dangereuses. Les batteries rechargeables peuvent être transportées par route par l'utilisateur sans adopter des précautions ultérieures. En cas de transport par des tiers (par exemple le transport aérien et/ou par un transporteur), il faudra respecter les dispositions des lois en vigueur. Expédier des batteries rechargeables exclusivement si le boîtier de la batterie n'est pas endommagé. Couvrir avec du ruban adhésif les contacts exposés et emballer la batterie rechargeable de façon à ce qu'elle ne puisse pas bouger ou se déplacer dans l'emballage. Nous vous prions de respecter aussi toute réglementation nationale éventuelle en la matière.

►►► 12. ANOMALIES DE FONCTIONNEMENT, CAUSES ET SOLUTIONS

ANOMALIES DE FONCTIONNEMENT	CAUSES	SOLUTIONS
Le moteur ne démarre pas	Manque de tension (si alimenté par le réseau)	1.Vérifier le réseau 2.Consulter le service technique
	Batterie déchargée (si alimenté par la batterie)	1.Charger la batterie 2.Consulter le service technique
	Alimentation ou batterie défectueuse	Consulter le service technique
	Moteur en panne	Consulter le service technique
La flamme ne s'allume pas	Bouteille de gaz vide	Remplacer la bouteille de gaz (Par. 5)
	Soupape de sécurité du régulateur bloquée	1.Appuyer sur le bouton poussoir de déblocage du gaz sur le régulateur (Fig. 13) 2.Consulter le service technique
	Robinet de la bouteille de gaz fermé	Ouvrir le robinet de la bouteille de gaz (Fig. 12)
	Circuit d'allumage défectueux	Consulter le service technique
La flamme ne reste pas allumée	Le bouton poussoir n'a pas été appuyé suffisamment longtemps	Appuyer sur le bouton poussoir du gaz plus longtemps (Par. 7.1.5.)
	Réchauffeur défectueux	Consulter le service technique
La flamme s'éteint durant le fonctionnement	Alimentation de gaz insuffisante	1.Remplacer la bouteille de gaz (Par. 5) 2.Consulter le service technique
	Le réchauffer se surchauffe	1.Nettoyer la prise d'air (côté arrière) 2.Consulter le service technique
	Réchauffeur défectueux	Consulter le service technique

OVERZICHT PARAGRAFEN

1...	BESCHRIJVING
2...	WAARSCHUWINGEN
3...	TYPE BRANDSTOF
4...	BESCHRIJVING VAN DE ARTIKELEN
5...	AANSLUITING EN VERVANGING VAN DE GASFLES
6...	ELEKTRISCHE VOEDING
7...	INSCHAKELING
8...	AFSTELLING THERMISCH VERMOGEN
9...	UITSCHAKELING
10...	REINIGING EN ONDERHOUD
11...	BEWAREN EN TRANSPORT VAN DE BATTERIJ
12...	WERKINGSPROBLEMEN, OORZAKEN EN OPLOSSINGEN

BELANGRIJK: DEZE WERKHANDLEIDING EERST LEZEN EN BEGRIJPEN VOORALEER DE ASSEMBLAGE, DE INWERKINGSTELLING OF HET ONDERHOUD VAN DEZE GENERATOR UIT TE VOEREN. VERKEERD GEBRUIK VAN DE GENERATOR KAN ERNSTIGE LETSELS VEROORZAKEN. BEWAAR DEZE HANDLEIDING VOOR RAADPLEGING IN DE TOEKOMST.

►►► 1. BESCHRIJVING

Dit toestel is een draagbare luchtverwarmer die op vloeibaar gas werkt, dat zich kenmerkt door de volledige benutting van de brandstof door middel van warmtewisseling door rechtstreekse vermenging van de aangezogen lucht en de producten van de verbranding. Het toestel is voorzien van een praktische handgreep om het transport en de verplaatsing te vergemakkelijken. Deze verwarmer kan via een specifieke voeding worden gevoed, ofwel via een systeem met herlaadbare batterijen. Het is gebouwd in overeenstemming met de Norm EN 1596.

►►► 2. WAARSCHUWINGEN

►⚠ **BELANGRIJK:** Niet gebruiken voor verwarming van bewoonbare zones van woongebouwen; voor gebruik in openbare gebouwen moet u de nationale reglementen raadplegen.

►⚠ **BELANGRIJK:** Deze verwarmer is niet geschikt om gebruikt te worden door personen (kinderen inbegrepen) met beperkt lichamelijke, zintuiglijke en mentale capaciteiten, of zonder ervaring, tenminste als ze niet onder toezicht staan van een persoon die verantwoordelijk is

voor hun veiligheid. Zorg dat kinderen onder toezicht staan zodat ze niet met de verwarmer spelen. Houd dieren op veilige afstand van de verwarmer.

►⚠ **BELANGRIJK:** Oneigenlijk gebruik van deze verwarmer kan schade veroorzaken of een gevaar betekenen voor het leven van personen, letsels en brandwonden veroorzaken, en ontploffingen, elektrische schokken of vergiftiging. De eerste symptomen van koolmonoxidevergiftiging lijken op die van griep, met hoofdpijn, duizeligheid en/of braken. Dergelijke symptomen kunnen veroorzaakt worden door een slechte werking van de verwarmer. **ALS DEZE SYMPTOMEN ZICH ZOUDEN VOORDOEN, MOET U ONMIDDELIJK NAAR BUITEN GAAN** en de verwarmer door de technische dienst laten repareren.

►⚠ **BELANGRIJK:** Alle werkzaamheden voor schoonmaak, onderhoud en reparatie die de toegang voorzien tot gevaarlijke onderdelen moeten door de constructeur, door zijn technische dienst, of door een persoon met gelijkaardige kwalificatie worden uitgevoerd om elk risico te voorkomen, zelfs als voorzien werd om van het voedingsnet los te koppelen.

► **2.1.** Voor een correct gebruik van de verwarmers en om de brandstof te bewaren, dient u zich aan alle plaatselijke voorschriften en aan de geldende normen te houden.

► **2.2.** Voor zijn werking vereist de verwarmers voldoende luchtverversing. Daarom moet die in openlucht worden gebruikt of in lokalen met een verzekerde, continue luchtverversing. Een goede verluchting is verzekerd wanneer het volume van de kamer berekend is op het thermische vermogen, volgende de formule 1m^3 voor iedere 100W vermogen. In geen enkel geval mag het aanbevolen volume van de ruimte minder dan 100m^3 bedragen. Een goede ventilatie wordt verzekerd door een opening die voldoet aan de formule 25cm^2 per kW thermisch vermogen, met een minimum van 250cm^2 , evenredig verdeeld over het bovenste en onderste gedeelte van de ruimte. Voor de installatie gelden de nationale normen die van kracht zijn, met inbegrip van de technische normen en de bepalingen betreffende veiligheid en brandpreventie.

► **2.3.** De verwarmers mag uitsluitend worden gebruikt om lucht te verwarmen (werkwijze verwarming) of om de lucht te verplaatsen (werkwijze ventilatie). Volg nauwgezet de instructies voor het gebruik.

► **2.4.** De constructeur wijst alle verantwoordelijkheid af voor materiële schade en lichamelijke letsels die voortvloeien uit een oneigenlijk gebruik van de verwarmers.

► **2.5.** Voed de verwarmers alleen met het type brandstof dat uitdrukkelijk staat vermeld op het gegevensplaatje dat op de verwarmers is aangebracht.

► **2.6.** Zorg ervoor om de verwarmers alleen aan te sluiten op een elektrisch net dat correct voorzien is van een differentiaalschakelaar en met een geschikte aarding.

► **2.7.** Gebruik alleen verlengkabels met een geschikte doorsnede, voorzien van aardingskabel.

► **2.8.** De verwarmers moet in werking worden gesteld op een vlak, stabiel en brandveilig oppervlak, om brandgevaar te voorkomen.

► **2.9.** Het is absoluut verboden om de verwarmers te gebruiken in souterrains of op een niveau onder de grond.

► **2.10.** De verwarmers mag niet worden gebruikt in lokalen waar explosieve stoffen, rook, gassen, brandstoffen, solventen of verfstoffen aanwezig zijn.

► **2.11.** Wanneer de verwarmers in de buurt van zeilen, gordijnen of gelijkaardige afdekmaterialen wordt gebruikt, is het aanbevolen om extra brandvertragende beschermingen te gebruiken. Zorg ervoor om voldoende afstand te behouden, de warme delen van de generator mogen in geen enkel

geval minder dan 2,5m. van brandbare materialen (stoffen, papier, hout, enz.) of warmtegevoelig materiaal (met inbegrip van de voedingskabel, indien aanwezig) verwijderd zijn.

► **2.12.** Plaats de gasfles op een beschutte plaats, achter het toestel (Fig. 1). De verwarmers mag nooit naar de gasfles gericht zijn (Fig. 2).

► **2.13.** Het is verboden om de luchtinlaat (aan de achterkant) en/of de opening van de luchtuitlaat (aan de voorkant) volledig of gedeeltelijk af te dichten, om welke reden dan ook (Fig. 3). Vermijd om luchtkanaliserings van/naar de verwarmers te gebruiken. Verzekert u ervan dat de spleten voor luchtaanzuiging aan de onderkant van de basis niet worden afgedekt (voor de modellen die deze oplossing toepassen).

► **2.14.** Wanneer de verwarmers niet inschakelt of als er problemen zijn bij de inschakeling, dient u het betreffende hoofdstuk te raadplegen (Par. "12. WERKINGSPROBLEMEN, OORZAKEN EN OPLOSSINGEN").

► **2.15.** Wanneer de verwarmers in werking is, mag die nooit worden verplaatst of vastgenomen, of aan onderhoudsinterventies worden onderworpen.

► **2.16.** Tijdens alle gebruikscondities of tijdens het parkeren van de verwarmers moet u opletten dat de flexibele gasleiding niet wordt beschadigd (geplet, geplooid, verwrongen, uitgerokken, enz.).

► **2.17.** Indien u een gasgeur waarneemt, moet u de verwarmers onmiddellijk uitzetten, de gasfles sluiten, de stekker van de voeding uit het stopcontact halen en/of de herlaadbare batterij wegnemen en vervolgens met de technische dienst contact opnemen.

► **2.18.** In geval de gasleiding wordt vervangen, mag u enkel leidingen van het flexibele type gebruiken, die geschikt zijn voor de werkingsdruk, in overeenstemming met de nationale voorschriften. De gasleiding moet 1,5m. lang zijn.

► **2.19.** Wanneer de verwarmers niet gebruikt wordt, moet u de stekker uit het stopcontact halen en/of de herlaadbare batterij wegnemen, de gastoevoer sluiten, de gasleiding van de verwarmers loskoppelen en de gasaansluiting op de verwarmers afdichten.

► **2.20.** Laat de correcte werking van de verwarmers minstens één keer per jaar en/of volgens de noodwendigheden door de technische dienst controleren.

► **2.21.** Controleer of de verwarmers uit staat vooraleer de stekker in het stopcontact te steken en/of de herlaadbare batterij te plaatsen, om alle risico's te vermijden.

► **2.22.** Gebruik enkel en alleen uitdrukkelijk voorziene, oorspronkelijke herlaadbare batterijen. Het gebruik van niet-voorzien herlaadbare batterijen kan schade veroorzaken of een gevaar

betekenen voor het leven van personen, letsels en brandwonden veroorzaken, en ontploffingen, elektrische schokken of vergiftiging.

► **2.23.** Houd voldoende veilige afstand tussen de losgekoppelde herlaadbare batterij en sluitingen, muntstukken, sleutels, spijkers, schroeven en andere kleine metalen voorwerpen die eventueel kortsluiting kunnen veroorzaken. Een eventuele kortsluiting tussen de contacten van de herlaadbare batterij kan schade veroorzaken of levensgevaarlijk zijn, en letsels, brandwonden, ontploffingen, enz. veroorzaken.

► **2.24.** Een verkeerd gebruik van de herlaadbare batterij kan de batterijvloeistof doen lekken. Vermijd absoluut contact met deze vloeistof. Bij toevallig contact moet u zorgvuldig met water afspoelen. Wendt u onmiddellijk tot een arts wanneer de vloeistof met uw ogen in contact zou komen. Gelekte batterijvloeistof kan huidirritatie en brandwonden veroorzaken.

► **2.25.** Een verkeerd gebruik van de herlaadbare batterij kan dampen uit de batterij doen ontsnappen. Vermijd absoluut om deze dampen in te ademen. Laat verse lucht binnen in het lokaal; in geval de dampen toevallig werden ingeademd, moet u een arts raadplegen indien u ademhalingsstoornissen ondervindt. Deze dampen kunnen de luchtwegen irriteren.

► **2.26.** Teneinde ernstige risico's te vermijden, mag u niet proberen om de herlaadbare batterij te openen of te demonteren.

► **2.27.** Teneinde ernstige risico's te vermijden, moet u de herlaadbare batterij tegen warmte beschermen (bijvoorbeeld tegen continue blootstelling aan zonnestralen, tegen vuur, tegen water, tegen vocht, enz.).

► **2.28.** Gebruik de specifieke herlaadbare batterij uitsluitend voor deze verwarmers teneinde gevaarlijke overbelasting te vermijden.

► **2.29.** Gebruik uitsluitend originele herlaadbare batterijen die voorzien zijn voor de spanning aangegeven op het plaatje met technische gegevens van de verwarmers. In geval andere herlaadbare batterijen worden gebruikt (bijvoorbeeld namaakbatterijen, geregenereerde batterijen, batterijen van concurrenten, enz.) bestaat er gevaar voor letsels en/of ontploffingen.

► **2.30.** Laad de herlaadbare batterij enkel en alleen op met oorspronkelijke batterijladers. Iedere batterij vereist een specifieke batterijlader om brandgevaar en risico voor ontploffing te vermijden.

► **2.31.** Gebruik uitsluitend de werkwijzen voor elektrische voeding zoals voorzien in deze handleiding. Om van de ene werkwijze naar de andere over te gaan, moet u de sequentie voor uitschakeling volgen (Par. "9. UITSCHAKELING").

Het is verboden om van werkwijze voor de voeding te wijzigen wanneer de verwarmers in werking is, teneinde ernstige schade te vermijden.

► ► ► 3. TYPE BRANDSTOF

Gebruik alleen gas van categorie I₃B/P.

► ► ► 4. BESCHRIJVING VAN DE ARTIKELEN

► ► 4.1. VOEDING (indien aanwezig):

DE VOEDING DIENT NIET ALS BATTERIJLADER.

(Fig. 4) De verwarmers kan voor zijn werking worden aangesloten op het elektriciteitsnet via een inrichting die voeding wordt genoemd. De voeding is ontworpen om op de ingang enkelfasige wisselstroom te ontvangen, geleverd door het net, en omgezet op de uitgang in gelijkstroom die geschikt is voor de werking van de verwarmers. Het is noodzakelijk om de werkingsparameters van de voeding te respecteren (zie gegevensplaatje dat op de voeding is aangebracht). Gebruik de voeding op plaatsen die volledig droog zijn en tegen stof beschermd, om uitsluitend deze verwarmers te voeden. Controleer regelmatig de staat van de voedingskabel, om ernstige schade te voorkomen. Respecteer alle waarschuwingen met betrekking tot de voeding die in deze handleiding staan vermeld.

► ► 4.2. BATTERIJ (indien aanwezig):

(Fig. 5) De verwarmers kan op autonome wijze werken met een oorspronkelijke, herlaadbare Li-ion-batterij, zonder op het elektriciteitsnet te moeten worden aangesloten. De herlaadbare batterij wordt gedeeltelijk geladen geleverd; het is bijgevolg aanbevolen om een volledige oplaadcyclus uit te voeren alvorens de batterij te gaan gebruiken. Gebruik uitsluitende oorspronkelijke batterijen om de verwarmers te voeden. Respecteer alle waarschuwingen met betrekking tot de batterij die in deze handleiding staan vermeld.

► ► 4.3. BATTERIJLADER (indien aanwezig):

(Fig. 6) De batterijlader is ontworpen om de oorspronkelijke herlaadbare batterijen op te laden. Het is noodzakelijk om de werkingsparameters van de batterijlader te respecteren (zie gegevensplaatje dat op de batterijlader is aangebracht). Gebruik de batterijlader op plaatsen die volledig droog zijn en tegen stof beschermd, om uitsluitend oorspronkelijke herlaadbare batterijen op te laden die gebruikt kunnen worden om deze verwarmers te voeden. De batterijlader is voorzien om op

automatische wijze de oplaadcyclus te beheren wanneer de herlaadbare batterij wordt aangesloten (Fig. 7). Een reeks verlichte indicatoren op de batterijlader zorgen voor een gedetailleerde diagnose tijdens het opladen van de batterij (Fig. 8). Respecteer alle waarschuwingen met betrekking tot de batterijlader die in deze handleiding staan vermeld.

▶▶▶ 5. AANSLUITING EN VERVANGING VAN DE GASFLES

De gasfles moet in openlucht worden vervangen, ver van warmtebronnen in een omgeving zonder vlammen.

Om de gasfles op de verwarmers aan te sluiten, mogen alleen de volgende accessoires worden gebruikt:

- Flexibele leiding voor vloeibaar gas.
- Drukregelaar voor vloeibaar gas, compleet met veiligheidsklep.

CONTROLEER OF DE GASTOEVOERLEIDING INTACT IS. WANNEER DEZE VERVANGEN MOET WORDEN, MAG U ENKEL EEN FLEXIBELE LEIDING GEBRUIKEN DIE AAN DE WERKDRUK IS AANGEPAST, CONFORM MET DE NATIONALE VOORSCHRIFTEN.

▶ Om de verwarmers op de gasfles aan te sluiten:
AANDACHT: ALLE SCHROEFDRAAD IS LINKSOM DRAAIEND, DIT BETEKENT DAT ZE IN TEGENWIJZERZIN WORDEN VASTGEZET.

▶ **5.1.** Schroef de gasleiding aan op de koppeling van de verwarmers (Fig. 9).

▶ **5.2.** Installeer de drukregelaar op de gasfles. Controleer of de pakking op de regelaar aanwezig is (als het koppelingstype dit voorziet) (Fig. 10).

▶ **5.3.** Sluit de gasleiding aan op de drukregelaar (Fig. 11).

▶ **5.4.** Open de kraan van de gasfles (Fig. 12).

▶ **5.5.** Druk op de knop om de regelaar te deblokken (Fig. 13). **Controleer de dichting van de koppeling met een zeepsopje: als er luchtballen verschijnen, betekent dit dat er gas ontsnapt (Fig. 14).** U kunt meerdere gasflessen onderling met elkaar verbinden om een grotere autonomie te verkrijgen. De correcte werkdruk (zie gegevensplaatje dat op de verwarmers is aangebracht) wordt door de regelaar gegeven die bij de uitrusting is meegeleverd, of door een gelijkaardig model.

▶▶▶ 6. ELEKTRISCHE VOEDING
GEBRUIK UITSLUITEND DE WERKWIJZEN VOOR VOEDING DIE HIERNA WORDEN BESCHREVEN. OM VAN DE ENE WERKWIJZE NAAR DE ANDERE OVER TE GAAN, MOET U DE SEQUENTIE VOOR UITSCHAKELING VOLGEN (Par. "9. UITSCHAKELING"). HET IS VERBODEN OM VAN WERKWIJZE VOOR VOEDING TE VERANDEREN TERWIJL DE VERWARMER IN WERKING IS.

▶▶ 6.1. VERWARMER GEVOED DOOR DE VOEDING (indien aanwezig):

DE AANSLUITING OP HET ELEKTRICITEITSNET MOET UITGEVOERD WORDEN IN OVEREENSTEMMING MET DE NATIONALE NORMEN DIE VAN KRACHT ZIJN.

Vooraleer de verwarmers op het elektriciteitsnet aan te sluiten, moet u controleren of:

▶ **6.1.1.** Het elektriciteitsnet uitgerust is met een differentiaalschakelaar en een geschikte aarding.

▶ **6.1.2.** De voedingsspanning en -frequentie correct zijn (zie gegevensplaatje aangebracht op de voeding).

Sluit de voeding aan op de verwarmers (Fig. 15), en sluit de voeding vervolgens aan op het elektriciteitsnet (Fig. 16).

▶▶ 6.2. VERWARMER GEVOED VIA HERLAADBARE BATTERIJ (indien aanwezig):

GEBRUIK UITSLUITEND ORIGINELE HERLAADBARE BATTERIJEN DIE VOORZIEN ZIJN VOOR DE SPANNING AANGEGEVEN OP HET PLAATJE MET TECHNISCHE GEGEVENS VAN DE VERWARMER.

Plaats de herlaadbare batterij in het batterijvakje dat zich aan de onderkant van de verwarmers bevindt (Fig. 17).

De herlaadbare batterij (meegeleverd in de verpakking en/of optioneel, afhankelijk van het model) wordt gedeeltelijk geladen geleverd. Om het volle vermogen van de herlaadbare batterij te garanderen, moet i de herlaadbare batterij vóór het eerste gebruik opladen in de oorspronkelijke batterijlader (iedere batterij vereist zijn specifieke batterijlader). De herlaadbare batterij is voorzien van een controle van de temperatuur "NTC" die het opladen enkel en alleen toelaat binnen een temperatuurrange tussen 0°C en 40°C. Op deze manier wordt een lange levensduur van de herlaadbare batterij verkregen.

►► 6.3. VERWARMER GEVOED DOOR DE VOEDING MET BATTERIJ INGESCHAKELD

(indien aanwezig):

Sluit de voeding aan op de verwarmers (Fig. 15), en sluit de voeding vervolgens aan op het elektriciteitsnet (Fig. 16) (zie gegevensplaatje aangebracht op de verwarmers). De verwarmers sluit automatisch de herlaadbare batterij uit. DE VOEDING DIEN NIET ALS BATTERIJLADER, dit betekent dat de herlaadbare batterij niet wordt opgeladen wanneer de verwarmers via het elektriciteitsnet wordt gevoed.

►►► 7. INSCHAKELING

►► 7.1. WERKWIJZE VERWARMING:

► 7.1.1. Zet de schakelaar "O/I" op de stand "I" (Fig. 18).

► 7.1.2. Wacht enkele seconden.

► 7.1.3. Druk de gasknop helemaal in en houd de knop ingedrukt (Fig. 19).

► 7.1.4. Activeer de piëzo-elektrische ontsteking helemaal en herhaaldelijk (Fig. 20), terwijl u de gasknop ingedrukt houdt (Fig. 19).

► 7.1.5. Na de ontsteking van de vlam houd u de gasknop circa 15 s ingedrukt (Fig. 21).

► 7.1.6. Laat de gasknop opnieuw los (Fig. 22).

Wanneer er een onderbreking is in de elektrische voeding of als er geen gas is, zal de verwarmers uitgaan. De verwarmers start niet automatisch opnieuw op. Dit moet manueel gebeuren door de procedure voor inschakeling te herhalen. Raadpleeg het betreffende hoofdstuk als de verwarmers niet inschakelt (Par. "12. WERKINGSPROBLEMEN, OORZAKEN EN OPLOSSINGEN").

►► 7.2. WERKWIJZE VENTILATIE:

De verwarmers kan ook als ventilator worden gebruikt. Sluit de verwarmers aan op het stopcontact en/of plaats de herlaadbare batterij en zet de schakelaar "O/I" op de stand "I" (Fig. 18).

N.B.: Als de verwarmers in werkwijze verwarming aan het werk is, moet u de correcte sequentie voor het uitschakelen volgen vooraleer over te gaan naar de werkwijze ventilatie (Par. "9. UITSCHAKELING").

►►► 8. AFSTELLING THERMISCH VERMOGEN

Het verwarmingsvermogen kan bijgesteld worden door aan de knop te draaien die op de basis van de verwarmers zit (Fig. 23).

►►► 9. UITSCHAKELING

► 9.1. Sluit de gasfles (Fig. 24).

► 9.2. Lat de ventilator circa 60 s werken, om interne schade wegens oververhitting te vermijden (interne koeling van de verwarmers).

► 7.1.1. Zet de schakelaar "O/I" op de stand "O" (Fig. 25).

► 9.4. Koppel de verwarmers los van het net (Fig. 26) en/of verwijder de herlaadbare batterij van het elektriciteitsnet of koppel de batterij los (Fig. 27).

► 9.5. Koppel de verwarmers los van de gastoevoerleiding (Fig. 28-29-30).

►►► 10. REINIGING EN ONDERHOUD

Laat de correcte werking van de verwarmers minstens één keer per jaar en/of volgens de noodwendigheden door de technische dienst controleren. Vooraleer de verwarmers weer in gebruik te stellen, moet het worden schoongemaakt.

► 10.1. Vooraleer werkzaamheden voor onderhoud, reiniging of reparatie aan de verwarmers aan te vatten, moet de sequentie voor uitschakeling worden uitgevoerd (Par. "9. UITSCHAKELING").

► 10.2. De reiniging betreft enkel de luchtinlaat (aan de achterkant) van de verwarmers.

► 10.3. Wanneer de verwarmers opnieuw wordt gebruikt, moet u controleren of de gasleiding intact is; vraag een interventie van de technische dienst als u twijfels hebt inzake de intacte staat van de leiding.

► 10.4. Voer geen interventies uit waarvoor u geen toestemming heeft.

►►► 11. BEWAREN EN TRANSPORT VAN DE BATTERIJ

DE BATTERIJ NIET GEDURENDE LANGE TIJD BEWAREN OF OPBERGEN OP EEN PLAATS WAAR DE TEMPERATUUR LAAG IS.

De herlaadbare Li-ion-batterijen zijn onderworpen aan wettelijke voorschriften met betrekking tot gevaarlijke goederen. De herlaadbare batterijen mogen door de gebruiker over de weg worden vervoerd zonder bijkomende voorzorgsmaatregelen. In geval van verzending door derden (bijvoorbeeld luchttransport en/of koerierdienst) moeten bijzondere voorschriften worden nageleefd volgens de geldende normen. Verzend herlaadbare batterijen alleen als de behuizing niet beschadigd is. De blote contacten moeten met kleefband worden bedekt, en de herlaadbare batterij moet dusdanig worden verpakt dat die niet in de verpakking kan verschuiven. Gelieve eveneens eventuele andere nationale normen te respecteren.

► ► 12. WERKINGSPROBLEMEN, OORZAKEN EN OPLOSSINGEN

WERKINGSPROBLEMEN	OORZAKEN	OPLOSSINGEN
De motor start niet	Geen spanning (indien gevoed via het net)	1. Controleer de netinstallatie 2. Technische dienst
	Batterij leeg (indien gevoed via de batterij)	1. Laad de batterij op 2. Technische dienst
	Voeding of batterij defect	Technische dienst
	Motor defect	Technische dienst
De vlam gaat niet aan	Gasfles is op	Vervang de gasfles (Par. 5)
	Veiligheidsklep van de regelaar geblokkeerd	1. Druk op de knop voor deblokkering gas van de regelaar (Fig. 13) 2. Technische dienst
	Kraan van de gasfles gesloten	Open de kraan van de gasfles (Fig. 12)
	Circuit voor inschakeling defect	Technische dienst
De vlam blijft niet aan	Gasknop niet lang genoeg ingedrukt	Houd de gasknop langer ingedrukt (Par. 7.1.5.)
	Verwarmer defect	Technische dienst
De vlam gaat tijdens de werking uit	Onvoldoende gastoevoer	1. Vervang de gasfles (Par. 5) 2. Technische dienst
	Oververhitting van de verwarmer	1. Maak de luchtinlaat schoon (aan de achterkant) 2. Technische dienst
	Verwarmer defect	Technische dienst

SUMÁRIO PARÁGRAFOS

1...	DESCRIÇÃO
2...	ADVERTÊNCIAS
3...	TIPO DE COMBUSTÍVEL
4...	DESCRIÇÃO ITENS
5...	LIGAÇÃO E SUBSTITUIÇÃO DA BOTIJA DE GÁS
6...	ALIMENTAÇÃO ELÉTRICA
7...	ACENDIMENTO
8...	REGULAÇÃO POTÊNCIA TÉRMICA
9...	DESLIGAMENTO
10...	LIMPEZA E MANUTENÇÃO
11...	CONSERVAÇÃO E TRANSPORTE DA BATERIA
12...	ANOMALIAS DE FUNCIONAMENTO, CAUSAS E SOLUÇÕES

IMPORTANTE: É NECESSÁRIO LER E COMPREENDER ESTE MANUAL OPERATIVO ANTES DE EFETUAR A MONTAGEM, A ATIVAÇÃO OU A MANUTENÇÃO DESTA GERADOR. O USO ERRADO DO GERADOR PODE CAUSAR LESÕES GRAVES. CONSERVAR ESTE MANUAL PARA FUTURAS CONSULTAS.

▶▶▶ 1. DESCRIÇÃO

Este é um aquecedor de ar portátil que funciona com gás líquido, caracterizado pelo aproveitamento total do combustível, através de permuta térmica, para a mistura direta entre o ar aspirado e os produtos da combustão. É dotado de um prático puxador para facilitar o transporte e a movimentação. Este aquecedor pode ser alimentado com específico alimentador, ou com um sistema de baterias recarregáveis. É realizado segundo a Norma EN 1596.

▶▶▶ 2. ADVERTÊNCIAS

▶⚠ **IMPORTANTE:** Não utilizar para o aquecimento das áreas habitáveis de edifícios residenciais; para o uso em edifícios públicos, referir-se às regulamentações nacionais.

▶⚠ **IMPORTANTE:** Este aquecedor não é adequado para o uso por parte de pessoas (inclusive crianças) com capacidades físicas, sensoriais e mentais reduzidas, ou inexperientes, a menos que sejam supervisionadas por uma pessoa responsável pela segurança destas mesmas pessoas. As crianças devem ser vigiadas para que não

brinquem com o aquecedor. Manter os animais a uma distância de segurança do aquecedor.

▶⚠ **IMPORTANTE:** O uso impróprio deste aquecedor pode provocar danos ou perigos de vida a pessoas, lesões, queimaduras, explosões, choques elétricos ou envenenamento. Os primeiros sintomas de asfixia por monóxido de carbono assemelham-se aos da gripe, com cefaleias, tonturas e/ou náusea. Tais sintomas podem ser causados pelo funcionamento defeituoso do aquecedor. CASO SURJAM TAIS SINTOMAS, SAIR IMEDIATAMENTE AO AR LIVRE e solicitar à assistência técnica o conserto do aquecedor.

▶⚠ **IMPORTANTE:** Todas as operações de limpeza, manutenção e reparação que preveem o acesso às partes perigosas devem ser efetuadas pelo fabricante, pelo serviço de assistência técnica do mesmo ou por pessoas com semelhante qualificação, para evitar riscos, mesmo se for prevista a desconexão da rede de alimentação.

▶ 2.1. Para o uso correto do aquecedor e para a conservação do combustível, seguir todas as ordenanças locais e a normativa em vigor.

▶ 2.2. O aquecedor necessita de adequada troca de ar para o próprio funcionamento. Portanto,

deve ser utilizado ao ar livre ou em ambientes com troca garantida e contínua de ar. A boa ventilação é garantida quando o volume do ambiente for calculado na potência térmica, com a fórmula de 1m³ para cada 100W de potência. De modo algum o volume aconselhado para o ambiente deve ser inferior a 100m³. Uma boa ventilação é garantida por uma abertura que satisfaça a fórmula de 25cm² para cada kW de potência térmica, com mínimo de 250cm², dividido igualmente entre a parte superior e inferior do ambiente. Para a instalação, valem as normas nacionais em vigor, inclusive as normas técnicas e as disposições em matéria de prevenção de acidentes e incêndios.

► **2.3.** O aquecedor deve ser utilizado somente para aquecer o ar (modalidade aquecimento), ou para movimentar o ar (modalidade ventilação). Para o uso, seguir escrupulosamente as presentes instruções.

► **2.4.** O fabricante não é responsável por danos a objetos e/ou pessoas decorrentes do uso impróprio do aquecedor.

► **2.5.** Alimentar o aquecedor somente com o tipo de combustível expressamente especificado na placa de dados aplicada no próprio aquecedor.

► **2.6.** Certificar-se de que o aquecedor seja conectado somente em redes elétricas devidamente dotadas de interruptor diferencial e adequada instalação à terra.

► **2.7.** Utilizar somente extensões com secção adequada, com fio à terra.

► **2.8.** O aquecedor deve funcionar em uma superfície nivelada, estável e ignífuga para evitar riscos de incêndio.

► **2.9.** É absolutamente proibido utilizar o aquecedor em caves ou debaixo do nível do solo.

► **2.10.** O aquecedor não deve ser utilizado em locais onde há pós explosivos, fumos, gás, combustíveis, solventes, tintas.

► **2.11.** Se o gerador for utilizado nas proximidades de estrados, cortinas ou materiais semelhantes de cobertura, aconselha-se usar proteções adicionais de tipo ignífugo. É necessário manter uma distância adequada, que de modo algum deve ser inferior a 2,5m de materiais inflamáveis (tecido, papel, madeira, etc) ou termolábeis (incluindo o cabo de alimentação, se presente), das partes quentes do aquecedor.

► **2.12.** Posicionar a botija de gás em posição protegida, atrás do aparelho (Fig. 1). O aquecedor nunca deve ser dirigido para a botija de gás (Fig. 2).

► **2.13.** É proibido obstruir, por quaisquer motivos, completa ou parcialmente a tomada de ar (lado

posterior) e/ou o bocal de saída do ar (lado anterior) (Fig. 3). Evitar o uso de qualquer tipo de canalização de ar de/para o aquecedor. Certificar-se de que não sejam obstruídas as aberturas de aspiração de ar que se encontram no fundo da base (para os modelos que adotam esta solução).

► **2.14.** Em caso de falta de acendimento, ou acendimento anômalo do aquecedor, consultar a respetiva secção (Par. “12. ANOMALIAS DE FUNCIONAMENTO, CAUSAS E SOLUÇÕES”).

► **2.15.** Quando estiver em função, o aquecedor nunca deve ser deslocado, manuseado e nem sujeito a operações de manutenção.

► **2.16.** Em qualquer condição de uso, ou de paragem do aquecedor, prestar atenção para que o tubo do gás flexível, não seja danificado (esmagado, dobrado, entortado ou esticado).

► **2.17.** Se for percebido cheiro de gás, desligar imediatamente o aquecedor, fechar a botija de gás, desconectar a ficha do alimentador da rede e/ou retirar a bateria recarregável e, a seguir, chamar a assistência técnica.

► **2.18.** Em caso de substituição do tubo de gás, utilizar somente tubos flexíveis, adequados para a pressão de uso, e referir-se às regulamentações nacionais. O tubo de gás deve possuir comprimento de 1,5m.

► **2.19.** Quando o aquecedor não é utilizado, desconectar a ficha do alimentador de rede e/ou remover a bateria recarregável, fechar a alimentação gás, destacar o tubo do gás do aquecedor e tampar a entrada do gás no aquecedor.

► **2.20.** Solicitar à assistência técnica a verificação do correto funcionamento do aquecedor pelo menos uma vez por ano e/ou segundo a própria exigência.

► **2.21.** Certificar-se de que o aquecedor esteja desligado antes de conectar a ficha elétrica de alimentação e/ou inserir a bateria recarregável, de modo a prevenir quaisquer riscos.

► **2.22.** Utilizar exclusivamente as baterias recarregáveis originais explicitamente previstas. O uso de baterias recarregáveis não previstas pode provocar danos ou perigos de vida a pessoas, lesões, queimaduras, explosões, choques elétricos ou envenenamento.

► **2.23.** Manter uma adequada distância de segurança entre a bateria recarregável desconectada e grampos, moedas, chaves, pregos, parafusos e outros pequenos objetos metálicos que poderiam provocar um eventual curto-circuito. Um eventual curto-circuito entre os

contactos da bateria recarregável pode provocar danos ou perigo de vida a pessoas, lesões, queimaduras, explosões, etc..

▶ **2.24.** O incorreto uso da bateria recarregável pode provocar vazamento de líquido da bateria. Evitar absolutamente o contacto com o líquido. Em caso de contacto accidental, enxaguar cuidadosamente com água. Procurar imediatamente um médico, se o líquido entrar em contacto com os olhos. O líquido vazado da bateria recarregável pode provocar irritações cutâneas ou queimaduras.

▶ **2.25.** O incorreto uso da bateria recarregável pode provocar saída de vapores da bateria. Evitar absolutamente a inalação destes vapores. Deixar entrar ar fresco e em caso de inalação accidental procurar um médico em caso de mal estar. Os vapores podem irritar as vias respiratórias.

▶ **2.26.** Para evitar graves riscos nunca tentar de abrir/desmontar a bateria recarregável.

▶ **2.27.** Para evitar graves riscos proteger a bateria recarregável do calor (por exemplo irradiação solar contínua, fogo, água, humidade, etc)).

▶ **2.28.** Utilizar a bateria recarregável específica exclusivamente com este aquecedor para evitar perigosas sobrecargas.

▶ **2.29.** Utilizar exclusivamente baterias recarregáveis dotadas da tensão indicada na placa dados técnicos do aquecedor. Se forem usadas outras baterias recarregáveis (por exemplo baterias de imitação, baterias regeneradas, baterias da concorrência, etc.) há perigo de lesões e/ou explosões.

▶ **2.30.** Carregar a bateria recarregável somente com carregadores de bateria originais. Cada bateria precisa do específico carregador de bateria para evitar riscos de incêndio e de explosão.

▶ **2.31.** Utilizar somente as modalidades de alimentação elétrica previstas neste manual. Para passar de uma modalidade a outra, efetuar o procedimento de desligamento (Parág. "9. DESLIGAMENTO"). É proibido trocar a modalidade de alimentação com o aquecedor em função, para evitar graves danos.

▶▶▶ 3. TIPO DE COMBUSTIVEL

Utilizar somente gás da categoria I₃B/P.

▶▶▶ 4. DESCRIÇÃO ITENS

▶▶ 4.1. ALIMENTADOR (onde presente):

O ALIMENTADOR NÃO TEM A FUNÇÃO DE CARREGADOR DE BATERIA.

(Fig. 4) O aquecedor pode funcionar ligado à rede elétrica através de um dispositivo denominado alimentador. O alimentador é concebido para receber em entrada a corrente alternada monofásica fornecida pela rede e convertê-la em corrente contínua apropriada para o funcionamento do aquecedor. É preciso respeitar os parâmetros de funcionamento do alimentador (ver placa dados aplicada no alimentador). Utilizar o alimentador em locais totalmente secos e protegidos de pó, e para alimentar exclusivamente este aquecedor. Verificar periodicamente o estado do cabo do alimentador, para evitar graves danos. Respeitar todas as advertências relativas ao alimentador referidas neste manual.

▶▶ 4.2. BATERIA (onde presente):

(Fig. 5) O aquecedor pode funcionar de modo autónomo com uma bateria recarregável original Li-ion, sem precisar ser conectado à rede elétrica. A bateria recarregável é fornecida parcialmente carregada e por esse motivo aconselha-se efetuar o ciclo de recarga completo antes de usar a bateria. Utilizar somente baterias originais para alimentar o aquecedor. Respeitar todas as advertências relativas à bateria referidas neste manual.

▶▶ 4.3. CARREGADOR DE BATERIAS (onde presente):

(Fig. 6) O carregador de bateria foi concebido para recarregar as baterias recarregáveis originais. É preciso respeitar os parâmetros de funcionamento do carregador de bateria (ver placa dados aplicada no carregador de bateria). Utilizar o carregador de bateria em locais totalmente secos e protegidos de pó para carregar exclusivamente baterias recarregáveis originais que podem ser utilizadas para alimentar este aquecedor. O carregador de bateria é predisposto para gerir de modo automático o correto ciclo de recarga quando a bateria recarregável é conectada (Fig. 7). Uma série de indicadores luminosos colocados no carregador de bateria permite ter um diagnóstico pormenorizado durante a fase de busca da bateria (Fig. 8). Respeitar todas as advertências relativas ao carregador de bateria referidas neste manual.

▶▶▶ 5. LIGAÇÃO E SUBSTITUIÇÃO DA BOTIJA DE GÁS

A botija de gás deve ser substituída ao ar livre, longe de fontes de calor, em atmosfera sem chamas.

Para a conexão da botija de gás ao aquecedor, devem ser utilizados somente os seguintes acessórios:

- Tubo flexível para gás líquido.
- Regulador de pressão para gás líquido com válvula de segurança.

VERIFICAR A INTEGRIDADE DO TUBO DE GÁS DE ALIMENTAÇÃO. SE FOR NECESSÁRIO SUBSTITUIR, UTILIZAR SOMENTE TUBO DE TIPO FLEXÍVEL, ADEQUADO À PRESSÃO DE USO, E REFERIR-SE ÀS REGULAMENTAÇÕES NACIONAIS.

▶ Para conectar o aquecedor à botija de gás:
ATENÇÃO: TODAS AS ROSCAGENS SÃO PARA O LADO ESQUERDO, OU SEJA, DEVEM SER APERTADAS EM SENTIDO ANTI-HORÁRIO.

▶ 5.1. Parafusar o tubo de gás à junção do aquecedor (Fig. 9).

▶ 5.2. Instalar o regulador de pressão na botija de gás. Certificar-se de que o regulador possui guarnição (se o tipo de engate o requer (Fig. 10).

▶ 5.3. Ligar o tubo de gás ao regulador de pressão (Fig. 11).

▶ 5.4. Abrir a torneira da botija de gás (Fig. 12).

▶ 5.5. Premir o botão de desbloqueio do regulador (Fig. 13). **Verificar a estanquidade das junções com água saponácea: o comparecimento de bolhas indica vazamento de gás (Fig. 14).** É possível ligar mais botijas de gás entre si para obter maior autonomia. A correta pressão de funcionamento (ver placa de dados aplicada no aquecedor) é dada pelo regulador fornecido de série, ou por modelo equivalente.

▶▶▶ 6. ALIMENTAÇÃO ELÉTRICA
UTILIZAR SOMENTE AS MODALIDADES DE ALIMENTAÇÃO A SEGUIR DESCRITAS. PARA PASSAR DE UMA MODALIDADE À OUTRA, EFETUAR O PROCEDIMENTO DE DESLIGAMENTO (Parág. “9. DESLIGAMENTO”). É PROIBIDO MUDAR A MODALIDADE DE ALIMENTAÇÃO COM O AQUECEDOR EM FUNÇÃO.

▶▶ 6.1. AQUECEDOR ALIMENTADO PELO ALIMENTADOR (onde presente):

ALIGAÇÃO À REDE ELÉTRICA DEVE SER FEITA DE ACORDO COM AS NORMAS NACIONAIS EM VIGOR.

Antes de ligar o aquecedor à rede elétrica, certificar-se de que:

▶ 6.1.1. A rede elétrica é dotada de interruptor diferencial e terra.

▶ 6.1.2. A tensão e a frequência de alimentação sejam corretas (ver placa dados aplica no alimentador).

Ligar o alimentador ao aquecedor (Fig. 15), e sucessivamente ligar o alimentador à rede elétrica (Fig. 16).

▶▶ 6.2. AQUECEDOR ALIMENTADO COM BATERIA RECARREGÁVEL (onde presente):

UTILIZAR EXCLUSIVAMENTE BATERIAS RECARREGÁVEIS DOTADAS DA TENSÃO INDICADA NA PLACA DADOS TÉCNICOS DO AQUECEDOR.

Inserir a bateria recarregável no alojamento porta bateria que se encontra debaixo da base do aquecedor (Fig. 17).

A bateria recarregável (fornecidas na embalagem, e/ou opcional conforme o modelo) é fornecida parcialmente carregada. Para garantir toda a potencia da bateria recarregável, antes do primeiro uso recarregar completamente a bateria recarregável com o carregador de bateria original (cada bateria precisa do específico carregador de bateria). A bateria recarregável é dotada de um controlo da "NTC" que permite uma recarga exclusivamente no âmbito de temperatura entre 0°C e 40°C. Desta forma é obtida uma longa duração da bateria recarregável.

▶▶ 6.3. AQUECEDOR ALIMENTADO PELO ALIMENTADOR COM BATERIA INSERIDA (onde presente):

Ligar o alimentador ao aquecedor (Fig. 15), e sucessivamente ligar o alimentador à rede elétrica (Fig. 16) (ver placa dados aplicada no aquecedor). O aquecedor exclui em automático a bateria recarregável. **O ALIMENTADOR NÃO TEM FUNÇÃO DE CARREGADOR DE BATERIA,** portanto quando o aquecedor é alimentado pela rede elétrica, a bateria recarregável conectada não é recarregada.

▶▶▶ 7. ACENDIMENTO

▶▶ 7.1. MODALIDADE AQUECIMENTO:

▶ 7.1.1. Colocar o interruptor "O/I" em posição "I" (Fig. 18).

▶ 7.1.2. Aguardar alguns segundos.

▶ 7.1.3. Premir o botão gás até o fim e mantê-lo premido (Fig. 19).

▶ 7.1.4. Acionar a fundo e repetidamente o acendedor piezoelétrico (Fig. 20), e manter premido o botão gás (Fig. 19).

▶ 7.1.5. Após o acendimento da chama, manter premido o botão gás por aproximadamente 15s aproximadamente (Fig. 21).

▶ 7.1.6. Liberar o botão gás (Fig. 22).

Em caso de interrupção de energia elétrica ou por falta de gás, o aquecedor desligar-se-á. O reacendimento do aquecedor não é automático e deve ser feito manualmente, repetindo o procedimento para o acendimento. Se o aparelho não acender, consultar a respectiva secção (Par. "12. ANOMALIAS DE FUNCIONAMENTO, CAUSAS E SOLUÇÕES").

▶▶ 7.2. MODALIDADE VENTILAÇÃO:

O aquecedor pode ser utilizado também como ventilador. Conectar o aquecedor à ficha elétrica e/ou inserir a bateria recarregável e colocar o interruptor "O/I" em posição "I" (Fig. 18).

N.B.: Com o aquecedor a funcionar na modalidade aquecimento, antes de passar à modalidade ventilação, efetuar a correta sequência de desligamento para os modelos manuais (Par. "9. DESLIGAMENTO").

▶▶▶ 8. REGULAÇÃO POTÊNCIA TÉRMICA

A potência térmica pode ser regulada atuando no manípulo que se encontra na base do aquecedor (Fig. 23).

▶▶▶ 9. DESLIGAMENTO

▶ 9.1. Fechar a botija de gás (Fig. 24).

▶ 9.2. Deixar funcionar o ventilador por cerca 60s para evitar danos internos devido ao sobreaquecimento (arrefecimento interno do aquecedor).

▶ 9.3. Colocar o interruptor "O/I" em posição "O" (Fig. 25).

▶ 9.4. Desconectar o aquecedor da rede (Fig. 26) e/ou remover a bateria recarregável da rede elétrica ou desconectar a bateria (Fig. 27).

▶ 9.5. Desconectar o aquecedor do tubo de alimentação gás (Fig. 28-29-30).

▶▶▶ 10. LIMPEZA E MANUTENÇÃO

Pelo menos uma vez por ano e/ou segundo a própria exigência, solicitar à assistência técnica a verificação do correto funcionamento do aquecedor. Antes de guarda-lo após o uso, é preciso limpar o aquecedor.

▶ 10.1. Antes de iniciar qualquer tipo de trabalho de manutenção, cuidado e conserto no aquecedor, efetuar a sequência necessária para o desligamento (Par. "9. DESLIGAMENTO").

▶ 10.2. A limpeza refere-se somente à tomada de ar (lado posterior) do aquecedor.

▶ 10.3. Quando o aquecedor é reutilizado, controlar o estado de integridade do tubo de gás; se houver dúvidas sobre sua integridade, solicitar a intervenção da assistência técnica.

▶ 10.4. Não efetuar intervenções não autorizadas.

▶▶▶ 11. CONSERVAÇÃO E TRANSPORTE DA BATERIA

NÃO CONSERVAR NEM ARMAZENAR A BATERIA EM LOCAIS COM BAIXA TEMPERATURA POR TEMPO PROLONGADO.

As bateria recarregáveis Li-on são sujeitas aos requisitos de lei relativos às mercadorias perigosas. As bateria recarregáveis podem ser transportadas em estrada pelo utilizador sem precauções adicionais. Em caso de expedição através de terceiros (por exemplo transporte aéreo e/ou expedição), devem ser respeitados os específicos requisitos em conformidade com as leis em vigor. Expedir baterias recarregáveis somente se a estrutura não estiver danificada. Cobrir com fita adesiva os contactos descobertos, e embalar a bateria recarregável de modo que esteja fixa dentro da embalagem. Solicitamos que também sejam respeitadas eventuais outras normas nacionais.

▶▶▶ 12. ANOMALIAS DE FUNCIONAMENTO, CAUSAS E SOLUÇÕES

ANOMALIAS DE FUNCIONAMENTO	CAUSAS	SOLUÇÕES
O motor não se aciona	Falta tensão (se alimentado pela rede)	1.Verificar a instalação de rede 2.Assistência técnica
	Bateria descarregada (se alimentado pela bateria)	1.Carregar a bateria 2.Assistência técnica
	Alimentação ou bateria com defeitos	Assistência técnica
	Motor avariado	Assistência técnica
A chama não se acende	Botija de gás terminada	Substituir a botija de gás (Par. 5)
	Válvula de segurança regulador bloqueada	1.Pressionar o botão de desbloqueio do gás do regulador (Fig. 13) 2.Assistência técnica
	Torneira da botija de gás fechada	Abrir a torneira da botija de gás (Fig. 12)
	Circuito de acendimento defeituoso	Assistência técnica
A chama não permanece acesa	Botão do gás premido por um tempo não suficiente	Premir o botão de gás por mais tempo (Par. 7.1.5.)
	Aquecedor defeituoso	Assistência técnica
A chama apaga-se durante o funcionamento	Insuficiente alimentação de gás	1.Substituir a botija de gás (Par. 5) 2.Assistência técnica
	Sobreaquecimento do aquecedor	1.Limpar a tomada de ar (lado posterior) 2.Assistência técnica
	Aquecedor defeituoso	Assistência técnica

INDHOLDSFORTEGNELSE AFSNIT

1...	BESKRIVELSE
2...	ADVARSLER
3...	BRÆNDSTOF
4...	BESKRIVELSE TILBEHØR
5...	TILSLUTNING OG UDSKIFTNING AF GASFLASKE
6...	STRØMFORSYNING
7...	TÆNDING
8...	REGULERING AF VARME
9...	SLUKNING
10...	RENGØRING OG VEDLIGEHOOLD
11...	OPBEVARING OG TRANSPORT AF BATTERIET
12...	DRIFTSPROBLEMER, ÅRSAGER OG LØSNINGER

VIGTIGT: INDEN GENERATOREN SAMLES, TAGES I BRUG ELLER VEDLIGEHOJDES, SKAL BRUGERMANUALEN LÆSES OG FORSTÅS. FORKERT BRUG AF GENERATOREN KAN FORÅRSAGE ALVORLIGE KVÆSTELSER. GEM MANUALEN FOR FREMTIDIG REFERENCE.

►►► 1. BESKRIVELSE

Dette apparat er et bærbart varmlufts varmeapparat der virker med flydende gas. Apparatet er kendetegnet ved den totale udnyttelse af brændstoffet gennem direkte varmeveksling mellem indsugningsluften og forbrændingen. Apparatet er udstyret med et praktisk håndtag for at lette transport og flytning. Dette varmeapparat får strøm enten via deN medfølgende strømforsyningskabel, eller ved et system med genopladelige batterier. Apparatet er udført i henhold til standard EN 1596

►►► 2. ADVARSLER

►⚠️ **VIGTIGT:** Må ikke anvendes til opvarmning af beboelse; for anvendelse i offentlige bygninger henvises til nationale love og bestemmelser.

►⚠️ **VIGTIGT:** Apparatet bør ikke anvendes af personer (inkl. børn) med nedsatte fysiske, sensoriske og mentale evner eller af uerfarne personer, medmindre de bliver overvåget af en person, der er ansvarlig for deres sikkerhed. Børn skal overvåges for at sikre, at de ikke leger med apparatet. Hold kæledyr på sikker afstand af varmeapparatet.

►⚠️ **VIGTIGT:** Forkert brug af generatoren kan medføre personskade eller livsfare, kvæstelser, forbrændinger, eksplosion, elektrochok eller forgiftning. De første symptomer på kulilteforgiftning minder om symptomerne for influenza med hovedpine svimmelhed og/eller kvalme. Disse symptomer kan skyldes en defekt på varmeapparatet. I TILFÆLDE AF SÅDANNE SYMPTOMER SKAL MAN STRAKS GÅ UD I DEN FRI LUFT og lade generatoren reparere af teknisk assistance.

►⚠️ **VIGTIGT:** Alle rengørings-, vedligeholdelses- og reparations-indgreb, der giver adgang til farlige dele, skal udføres af fabrikanten, af dennes tekniske assistance eller af en tilsvarende kvalificeret person. Dette for at forebygge enhver risiko, også selvom strømforsyningen afbrydes.

► 2.1. For korrekt brug af varmeapparatet og for korrekt opbevaring af brændstoffet bør alle lokale og nationale love og vedtægter overholdes.

► 2.2. Varmeapparatet skal, for at kunne fungere placeres hvor der er rigeligt luftskifte. Den bør derfor anvendes i fri luft eller i lokaler, hvor der er sikret kontinuerlig luftskifte - udluftning. Et godt luftskifte er sikret, når rummet har et volumen, der i forhold til varmeeffekten udregnes med formlen

1m³ for hver 100W effekt. Rummets anbefalede volumen må under ingen omstændigheder være under 100m³. God luftcirkulation sikres af en åbning, der opfylder formlen på 25cm² pr. kW varmeeffekt, med et minimum på 250cm², ligeligt fordelt mellem rummets øverste og nederste del. Installationen skal ske i overensstemmelse med gældende lokale love og tekniske bestemmelser samt gældende forebyggende sikkerheds- og brandforskrifter.

► **2.3.** Varmeapparatet må kun anvendes til opvarmning af luften (indstillet til opvarmning), eller til ventilation (indstillet til ventilation). Nærværende instruktioner skal overholdes omhyggeligt under anvendelsen.

► **2.4.** Producenten fralægger sig ethvert ansvar for skader på ting og/eller personer, forårsaget af forkert brug af varmeapparatet.

► **2.5.** Varmeapparatet må kun anvendes med den specifikke type brændstof der udtrykkeligt er angivet på typeskiltet på apparatet.

► **2.6.** Sørg for kun at tilslutte varmeapparatet til et elektriske net ordentligt udstyret med HPFI-afbryder og jordforbindelse.

► **2.7.** Brug kun egnede forlængerledninger med de rette dimensioner og jordforbindelse.

► **2.8.** Varmeapparatet skal anvendes på plan, stabil og flammehæmmende overflade, for at undgå risiko for brand.

► **2.9.** Det er strengt forbudt at bruge varmeapparatet i kældre eller på steder under jordniveau.

► **2.10.** Varmeapparatet må ikke anvendes i rum hvor der er forekomster af eksplosiv røg, maling, støv eller brændstof, eksplosive gasser eller opløsningsmidler.

► **2.11.** Hvis varmeapparatet anvendes i nærheden af presenninger, telte eller lignende materialer til afdækning, anbefales det at bruge ekstra brandhæmmende beskyttelse. Der skal, fra apparatets varme dele, holdes en passende afstand, der under ingen omstændigheder må være under 2,5m, til brandbare materialer (stof, papir, træ osv.) eller termolabile materialer (inklusiv strømforsyningskablet hvis dette anvendes).

► **2.12.** Gasflasken placeres beskyttet bag varmeapparatet (Fig. 1). Varmeapparatet må aldrig vendes hen imod gasflasken (Fig. 2).

► **2.13.** Der må aldrig, uanset årsagen, blokeres helt eller delvist for luftindtaget (bag på apparatet) og/eller for varmeblæseren (på apparatets front) (Fig. 3). Undgå at anvende nogen form for kanalisering af luft til eller fra varmeapparatet.

Det skal sikres, at åbningerne for luftindtag i bunden af apparatet ikke blokeres. (gælder kun for modeller med denne løsning for luftindtag).

► **2.14.** I tilfælde af at varmeapparatet ikke tænder, eller tænder unormalt, se det relevante afsnit (Afsnit "12. DRIFTSPROBLEMER, ÅRSAGER OG LØSNINGER").

► **2.15.** Når varmeapparatet er i drift må det ikke flyttes, håndteres eller udsættes for nogen form for vedligehold.

► **2.16.** Under enhver form for brug, eller når varmeapparatet ikke anvendes, bør det sikres, at den fleksible gasslange ikke beskadiges (mases, bøjes, vrides, strækkes, osv.).

► **2.17.** Hvis der lugter af gas, skal varmeapparatet straks slukkes, og der skal lukkes for gasflasken. Strømforsyningskablet skal fjernes fra kontakten og elnettet og/eller det genopladelige batteri skal fjernes. Herefter kontaktes teknisk support.

► **2.18.** I tilfælde af udskiftning af gasslange, bør der kun anvendes fleksible gasslanger egnede til det specifikke driftstryk. Der henvises i øvrigt til nationale love og retningslinjer. Gasslangen skal være 1,5m lang.

► **2.19.** Når varmeapparatet ikke er i brug, fjernes strømforsyningskablet fra kontakten og elnettet og/eller batteriet fjernes. Der skal samtidig lukkes for gastilførslen, gasslangen skal afmonteres fra varmeapparatet og gasindløbet til varmeapparatet stoppes til.

► **2.20.** For at sikre at varmeapparatet fungerer tilfredsstillende bør der, mindst en gang om året og/eller efter behov, tages kontakt til teknisk assistance for et kontroleftersyn af varmeapparatet.

► **2.21.** For at undgå enhver risiko bør varmeapparatet være slukket, inden stikket fra strømforsyningskablet og/eller det genopladelige batteri tilsluttes.

► **2.22.** Anvend udelukkende originale og udtrykkeligt specificerede genopladelige batterier til varmeapparatet. Brugen af forkerte batterier kan medføre personskade eller livsfare, kvæstelser, forbrændinger, eksplosion, elektrochok eller forgiftning.

► **2.23.** Oprethold sikker afstand mellem det genopladelige batteri og papirclips, mønter, nøgler, søm, skruer eller andre små metalgenstande, der eventuelt kan forårsage kortslutning. En eventuel kortslutning mellem kontakterne på batteriet kan forårsage skader eller livsfare for personer, forbrændinger, eksplosioner, etc..

► **2.24.** Forkert brug af det genopladelige batteri kan forårsage lækage af batterivæske. Enhver kontakt med batterivæske må absolut undgås. Ved uheld med batterivæske skylles grundigt med vand. Hvis batterivæsken kommer i kontakt med øjnene skal der straks søges læge. Batterivæske der løber ud af det genopladelige batteri kan forårsage hudirritationer og forbrændinger.

► **2.25.** Forkert brug af det genopladelige batteri kan forårsage lækage af dampe fra batteriet. Indånding af sådanne dampe må absolut undgås. Sørg for rigelig udluftning hvis dampene fra batteriet indåndes og ved ildebefindende skal der straks søges læge. Dampene fra batteriet kan irritere luftvejene.

► **2.26.** For at undgå alvorlige risici bør det genopladelige batteri aldrig åbnes eller skilles ad.

► **2.27.** For at undgå alvorlige risici bør batteriet beskyttes fra varme (fx solenergi, fra kontinuerlig påvirkning fra solens stråler, ild, vand, fugt, osv.).

► **2.28.** For at undgå farlig overbelastning bør det for varmeapparatet specifikke genopladelige batteri kun anvendes med varmeapparatet.

► **2.29.** Brug kun originale genopladelige batterier med den rette spændingsangivelse, som angivet på typeskiltet af varmeapparatet. I tilfælde af brug af andre genopladelige batterier (f.eks. imitationer af batterimodellen, regenererede batterier, batterier fra konkurrenter, osv.) er der fare for personskade og/eller eksplosion.

► **2.30.** Det genopladelige batteri bør kun genoplades med originale opladere. Ethvert batteri skal oplades med sin specifikke oplader for at undgå risiko for brand og eksplosion.

► **2.31.** Der bør kun anvendes strømforsyning som foreskrevet i denne vejledning. For at skifte fra strømforsyning via kabel og til batteri, skal varmeapparatet slukkes som beskrevet (Afsnit "9. SLUKNING"). For at undgå alvorlige skader er det forbudt at ændre strømforsyning mens varmeapparatet er i funktion.

►►► 3. BRÆNDSTOF

Der bør kun anvendes gas i kategorien I₃B/P.

►►► 4. BESKRIVELSE TILBEHØR

►► 4.1. STRØMFORSYNINGSKABEL (hvor dette medfølger):

STRØMFORSYNINGSKABLET HAR INGEN GENOPLADELIG VIRKNING PÅ BATTERIET.

(Fig. 4) Varmeapparatet kan tilsluttes elnettet ved hjælp af et kabel kaldet et strømforsyningskabel. Strømforsyningskablet er designet til at modtage enkeltfase vekselstrøm fra elnettet og konvertere den til jævnstrøm der er egnet til drift af varmeapparatet. Det er nødvendigt at respektere parametrene for strømforsyningskablet (for tekniske data se typeskiltet på strømforsyningskablet). Strømforsyningskablet skal anvendes på steder hvor der er helt tørt og beskyttet mod støv, og kun til at give strøm til dette varmeapparat. For at undgå alvorlige skader, bør strømforsyningskablet kontrolleres periodisk. Alle advarsler vedrørende strømforsyningskablet, beskrevet i denne vejledning, bør overholdes.

►► 4.2. BATTERI (hvor dette medfølger):

(Fig. 5) Varmeapparatet kan fungere selvstændigt med et originalt og genopladeligt Li-ion-batteri, uden at være tilsluttet elnettet. Det genopladelige batteri leveres delvist opladet og derfor anbefales det at udføre en komplet opladning af batteriet før det tages i brug. Der bør kun anvendes originale batterier til varmeapparatet. Alle advarsler vedrørende batteriet, beskrevet i denne vejledning, bør overholdes.

►► 4.3. OPLADER TIL BATTERIER (hvor dette medfølger):

(Fig. 6) Opladeren er konstrueret til at genoplade de originale genopladelige batterier. Det er nødvendigt at respektere parametrene for opladeren (for tekniske data se typeskiltet på opladeren). Opladeren skal anvendes på steder hvor der er helt tørt og beskyttet mod støv, og kun til at genoplade de originale genopladelige batterier, der anvendes til at give strøm til dette varmeapparat. Opladeren er konstrueret til automatisk at styre den korrekte opladning af batteriet, når batteriet er tilsluttet (Fig. 7). En række lys placeret på opladeren gør det muligt at foretage en detaljeret vurdering af batteriets tilstand under opladning (Fig. 8). Alle advarsler vedrørende opladeren, beskrevet i denne vejledning, bør overholdes.

►►► 5. TILSLUTNING OG UDSKIFTNING AF GASFLASKE

Gasflasken skal udskiftes under fri luft, langt fra varmekilder og åben ild.

Til at forbinde gasflasken med varmeapparatet må kun anvendes følgende dele:

- Fleksibel gaslange til flydende gas.
- Trykregulator til flydende gas med sikkerhedsventil.

GASLANGEN SKAL KONTROLLERES FOR OM DEN ER INTAKT. HVIS DER ER BEHOV FOR AT UDSKIFTE GASLANGEN MÅ DER KUN ANVENDES FLEKSIBLE GASLANGER ENEDE TIL DET SPECIFIKKE DRIFTSTRYK. DER HENVISES I ØVRIGT TIL NATIONALE LOVE OG RETNINGSLINJER.

► For at tilslutte varmeapparatet til gasflasken:
ADVARSEL: ALLE GEVIND ER VENSTRESKÅREDE, OG SKAL DERFOR STRAMMES I RETNING MOD URET.

► **5.1.** Gaslangen skrues på åbningen til gaslangen på varmeapparatet (Fig. 9).

► **5.2.** Trykregulatoren monteres på gasflasken. Vær opmærksom på at trykregulatorens pakning befinder sig på sin rette plads (kun hvis trykregulatoren er udstyret med en sådan pakning) (Fig. 10).

► **5.3.** Gaslangen forbindes til trykregulatoren (Fig. 11).

► **5.4.** Ventilen på gasflasken åbnes (Fig. 12).

► **5.5.** Udløseren på trykregulatoren trykkes ned (Fig. 13). **Forbindelser kontrolleres for lækager med sæbevand: eventuelle sæbebobler angiver gasudslip (Fig. 14).** Det er muligt at forbinde flere gasflasker med hinanden for at opnå længere funktionstid for varmeapparatet. Det korrekte driftstryk (se typeskiltet på varmeapparatet) er givet ved regulatoren der er leveret med varmeapparatet eller en tilsvarende model.

►►► 6. STRØMFORSYNING
ANVEND KUN DE FORMER FOR STRØMFORSYNING DER ER BESKREVET NEDENFOR. FOR AT SKIFTE FRA STRØMFORSYNING VIA KABEL OG TIL BATTERI, SKAL VARMEAPPARATET SLUKKES SOM BESKREVET (Afsnit "9. SLUKNING") DET ER FORBUDT AT SKIFTE STRØMFORSYNING MED VARMEAPPARATET I FUNKTION.

►► 6.1. ELFORSYNING MED STRØMFORSYNINGSKABEL (hvor dette medfølger):

TILSLUTNINGEN TIL ELNETTET SKAL UDFØRES I OVERENSSTEMMELSE MED GÆLDENDE NATIONALE LOVE OG REGLER. Før varmeapparatet tilsluttes elnettet, skal følgende overholdes:

► **6.1.1.** At det elektriske net er ordentligt udstyret med HPFI-afbryder og jordforbindelse.

► **6.1.2.** At spænding og frekvens er korrekte (se typeskiltet på strømforsyningen).

Strømforsyningskablet tilsluttes varmeapparatet (Fig. 15) og efterfølgende tilsluttes strømforsyningen til elnettet (Fig. 16).

►► 6.2. ELFORSYNING MED GENOPLADELIGT BATTERI (hvor dette medfølger):

BRUG KUN ORIGINALE GENOPLADELIGE BATTERIER MED DEN RETTE SPÆNDINGSANGIVELSE, SOM ANGIVET PÅ TYPESKILTET AF VARMEAPPARATET.

Isæt det genopladelige batteri i batterirummet placeret under varmeapparatet (Fig. 17).

Det genopladelige batteri (medfølger i pakken, og/eller findes som ekstraudstyr, afhængig af modellen) leveres delvist opladet. For at garantere fuld kapacitet på det genopladelige batteri, anbefales det at udføre en komplet opladning af batteriet, med den originale genoplader, før det tages i brug (ethvert batteri skal oplades med sin specifikke oplader). Det genopladelige batteri er udstyret med en temperatur kontrol "NTC", der kun tillader opladning i temperaturområdet mellem 0°C og 40°C. På denne måde opnås en lang levetid for det genopladelige batteri.

►► 6.3. ELFORSYNING MED STRØMFORSYNINGSKABEL OG MONTERET BATTERI (hvor dette medfølger):

Strømforsyningskablet tilsluttes varmeapparatet (Fig. 15), hvorefter strømforsyningskablet tilsluttes elnettet (Fig. 16) (se typeskiltet på varmeapparatet). Varmeapparatet blokerer automatisk for anvendelsen af det genopladelige batteri. **STRØMFORSYNINGSKABLET HAR INGEN GENOPLADELIG VIRKNING PÅ BATTERIET.** Når varmeapparatet er tilsluttet elnettet, bliver det genopladelige batteri derfor ikke samtidig opladt.

▶▶▶ 7. TÆNDING

▶▶ 7.1. INDSTILLING TIL OPVARMNING:

▶ 7.1.1. Kontakten "O/I" sættes i positionen "I" (Fig. 18).

▶ 7.1.2. Der ventes nogle sekunder.

▶ 7.1.3. Gasknappen trykkes i bund og holdes nede (Fig. 19).

▶ 7.1.4. Ved at holde gasknappen nede (Fig. 19) aktiveres for en tid og grundigt gentagne tændingsgnister for at antænde gassen (Fig. 20).

▶ 7.1.5. Efter at flammen i varmeapparatet tændes, holdes gasknappen nede i cirka 15 sekunder (Fig. 21).

▶ 7.1.6. Herefter slippes gasknappen (Fig. 22). I tilfælde af strømsvigt eller mangel på gas, vil varmeapparatet slukke. Varmeapparatet tænder ikke igen automatisk, men skal tændes manuelt, ved at gentage proceduren for tænding som beskrevet. Hvis varmeapparatet ikke tænder, konsulteres den relevante del af vejledningen (Afsnit "12. DRIFTSPROBLEMER, ÅRSAGER OG LØSNINGER").

▶▶ 7.2. INDSTILLING TIL VENTILATION:

Varmeapparatet kan også anvendes som ventilator/fan. Varmeapparatet tilsluttes elnettet og/eller det genopladelige batteri sættes i, hvorefter kontakten "O/I" indstilles i positionen "I" (Fig. 18).

N.B.: Med varmeapparatet indstillet til opvarmning, må der først foretages indstilling til ventilation efter at varmeapparatet har været korrekt afbrudt og slukket (Afsnit "9. SLUKNING").

▶▶▶ 8. REGULERING AF VARME

Varmeeffekten kan justeres ved at dreje knappen i bunden af ovnen (Fig. 23).

▶▶▶ 9. SLUKNING

▶ 9.1. Der lukkes af for gas fra gasflasken (Fig. 24).

▶ 9.2. Ventilatoren skal herefter køre i ca 60 sekunder for at undgå skader som følge af overophedning (indvendig nedkøling af varmeapparatet).

▶ 9.3. Kontakten "O/I" sættes i positionen "O" (Fig. 25).

▶ 9.4. Varmeapparatet frakobles elnettet (Fig. 26) og/eller det genopladelige batteri frakobles elnettet eller frakobles (Fig. 27).

▶ 9.5. Varmeapparatet frakobles gasslangen (Fig. 28-29-30).

▶▶▶ 10. RENGØRING OG VEDLIGEHOLD

Mindst en gang om året og/eller efter behov, bør der tages kontakt til teknisk assistance for et kontroleftersyn af varmeapparatet. Inden varmeapparatet stilles væk efter brug, skal varmeapparatet rengøres.

▶ 10.1. Før nogen form service, vedligeholde og reparation på varmeapparatet sættes i gang, skal varmeapparatet slukkes efter forskrifterne (Afsnit "9. SLUKNING").

▶ 10.2. Rengøringen omfatter kun luftindtaget på bagsiden af varmeapparatet.

▶ 10.3. Når brugen af varmeapparatet genoptages bør gasledningen kontrolleres. Hvis der er tvivl vedrørende gasledningen kontaktes en tekniker.

▶ 10.4. Der bør ikke udføres uautoriseret arbejde på varmeapparatet.

▶▶▶ 11. OPBEVARING OG TRANSPORT AF BATTERIET

BATTERIET MÅ IKKE ANBRINGES OG OPBEVARES UNDER FOR LAVE TEMPERATURER OVER LÆNGERE TID.

De genopladelige li-ion batterier er underlagt lovkrav vedrørende farligt gods. Genopladelige batterier kan transporteres på offentlig vej af brugeren uden yderligere forholdsregler. Hvis batteriet skal transporteres via tredjemand (f.eks. vis flytransport og/eller af speditør) skal særlige krav i henhold til gældende regler overholdes. Genopladelige batterier bør kun transporteres hvis kabinettet ikke er beskadiget. Åbne kontakter skal dækkes med tape og det genopladelige batteri skal emballeres på en sådan måde, at det ikke bevæger sig i emballagen. Yderligere eventuelle nationale regler og normer skal selvfølgelig overholdes.

►►► 12. DRIFTSPROBLEMER, ÅRSAGER OG LØSNINGER

FEJL FUNKTION	ÅRSAG	AFHJÆLPNING
Motoren starter ikke	Strømsvigt (ved strøm leveret fra elnettet)	1. Elnettet kontrolleres 2. Teknisk assistance
	Dødt batteri (ved strøm leveret fra batteriet)	1. Batteriet genoplades 2. Teknisk assistance
	Defekt strømforsyningskabel eller batteri	Teknisk assistance
	Motorsvigt	Teknisk assistance
Flammen antændes ikke	Gasflasken er tom	Udskiftning af gasflasken (Afsnit 5)
	Sikkerhedsventil og regulator på gasflasken er blokeret	1. Der trykkes på låseknappen på regulatoren (Fig. 13) 2. Teknisk assistance
	Gashanen er lukket	Gashanen på gasflasken åbnes (Fig. 12)
	Kredsløbet for tænding er defekt	Teknisk assistance
Flammen forbliver ikke tændt	Gasknappen er ikke blevet trykket i bund længe nok	Tryk længere på gasknappen (Afsnit 7.1.5.)
	Varmeapparatet er defekt	Teknisk assistance
Flammen går ud under brugen af varmeapparatet	Der er for ringe tilførsel af gas	1. Udskiftning af gasflasken (Afsnit 5) 2. Teknisk assistance
	Overophedning af varmeapparatet	1. Luftindtaget på bagsiden rengøres 2. Teknisk assistance
	varmeapparatet er defekt	Teknisk assistance

KAPPALEIDEN SISÄLLYSLUETTELO

1...	KUVAUS
2...	VAROITUKSET
3...	POLTTOAINETYYPPI
4...	OSIEN KUVAUS
5...	KAASUPULLON LIITÄNTÄ JA VAIHTO
6...	SÄHKÖNSYÖTTÖ
7...	KÄYNNISTÄMINEN
8...	LÄMPÖTEHON SÄÄTÖ
9...	SAMMUTTAMINEN
10...	PUHDISTUS JA HUOLTO
11...	AKUN SÄILYTYS JA VAIHTAMINEN
12...	TOIMINTAHÄIRIÖT, SYYT JA KORJAUSTOIMENPITEET

TÄRKEÄÄ: LUE JA YMMÄRRÄ TÄMÄ KÄYTTÖOPAS ENNEN TÄMÄN GENERAATTORIN KOKOAMISTA, KÄYTTÖÖNOTTOA TAI HUOLTOA. GENERAATTORIN VÄÄRÄ KÄYTTÖ VAI AIHEUTTAA VAKAVIA HENKILÖVAHINKOJA. SÄILYTÄ TÄTÄ KÄYTTÖOHJETTA TULEVAA TARVETTA VARTEN.

►►► 1. KUVAUS

Tämä on kannettava nestekaasulla toimiva ilmanlämmitin, joka hyödyntää polttoaineen täysin imuilman ja palamustuotteiden suoran sekoituksen lämmönvaihdon kautta. Se on varustettu käytännöllisellä kahvalla, joka tekee sen kuljettamisesta ja liikuttamisesta helppoa. Tähän lämmittimeen voidaan johtaa virtaa erityisen virransyöttimen kautta, tai käyttämällä ladattavia akkuja. Laite on valmistettu EN 1596 standardin mukaisesti.

►►► 2. VAROITUKSET

►⚠️ **TÄRKEÄÄ:** Älä käytä kotitalouksien asuttavien tilojen lämmityksessä; julkisissa tiloissa käyttöä varten noudata kansallisia määräyksiä.

►⚠️ **TÄRKEÄÄ:** Tätä lämmitintä ei saa antaa käyttöön henkilöille, joilla on fyysisiä, aistinvaraisia tai psyykkisiä rajoitteita (lapset mukaan lukien) tai henkilöille, joilla ei ole käyttöön liittyvää kokemusta, ellei heidän toimintaansa valvo heidän turvallisuudestaan vastaavat henkilöt.

Lapsia on valvottava, jotta varmistetaan että he eivät leiki lämmittimellä. Pidä eläimiä turvaetäisyydellä lämmityslaitteesta.

►⚠️ **TÄRKEÄÄ:** Tämän lämmittimen väärä käyttö voi aiheuttaa henkilövahinkoja tai hengenvaaran, tapaturmia, palovammoja, räjähdyksiä, sähköiskuja tai myrkytyksiä. Ensimmäiset häikämyrkytyksen oireet muistuttavat influenssaa sisältäen päänsärkyä, huimausta ja/tai pahoinvointia. Kyseiset oireet voivat johtua lämmityslaitteen viallisesta toiminnasta. JOS NÄITÄ OIREITA ILMENEE, SIIRRY HETI ULKOILMAAN ja toimita lämmitin korjattavaksi tekniseen huoltopalveluun.

►⚠️ **TÄRKEÄÄ:** Kaikki puhdistus-, huolto- ja korjaustoimenpiteet, jotka on suoritettava vaarallisissa paikoissa, on tehtävä valmistajan, tämän teknisen huollon tai samankaltaisen koulutuksen omaavan henkilön toimesta, jotta varmistetaan kaikkien riskien ennaltaehkäisy, vaikka virta olisikin kytketty pois päältä.

► 2.1. Lämmittimen oikeaa käyttöä ja polttoaineen säilytystä varten noudata

paikallisia määräyksiä ja voimassa olevaa lainsäädäntöä.

► **2.2.** Generaattori vaatii toimiakseen riittävän ilmanvaihdon. Näin ollen sitä tulee käyttää ulkoilmassa tai huoneissa, joiden jatkuva ilmanvaihto on varmistettu. Hyvä ilmanvaihto on varmistettu, kun huoneen tilavuus lasketaan lämpötehon tilavuusyksikkönä, 1m^3 jokaista 100W tehoa kohti. Missään tapauksessa huoneen suositeltava tilavuus ei saa olla alle 100m^3 . Hyvä tuuletus varmistetaan aukolla, joka tyydyttää 25cm^2 jokaista lämpötehon kW kohti, vähintään 250cm^2 , jaettuna tasaisesti huoneen ylä- ja alaosan välille. Asennuksessa on noudatettava voimassa olevaa kansallista lainsäädäntöä, sisältäen tekniset määräykset sekä työsuojelulakia ja paloturvallisuutta koskevat asetukset.

► **2.3.** Lämmitintä saa käyttää ainoastaan ilman lämmittämiseen (lämmitystoiminto) tai ilman liikuttamiseen (tuuletustoiminto). Noudata käytössä huolellisesti näitä ohjeita.

► **2.4.** Valmistaja ei vastaa henkilö- ja/ tai omaisuusvahingoista, jotka johtuvat lämmittimen väärästä käytöstä.

► **2.5.** Käytä lämmittimen polttoaineena vain lämmittimessä olevaan tietokylttiin merkittyä polttoainetyyppejä.

► **2.6.** Varmista, että kytket lämmittimen vain sähköverkkoihin, jotka on varustettu asianmukaisella vikavirtasuojakytkimellä ja sopivalla maadoituksella.

► **2.7.** Käytä yksinomaan jatkojohtoja, joiden läpimitta on sopiva ja joihin sisältyy maattojohto.

► **2.8.** Lämmitintä on käytettävä tasaisella, vakaalla ja tulenkestävällä pinnalla tulipalovaarojen estämiseksi.

► **2.9.** Lämmittimen käyttö on ehdottomasti kielletty kellarikerroksissa tai maanpinnan alla.

► **2.10.** Lämmitintä ei saa käyttää tiloissa, joissa esiintyy räjähtäviä jauheita, savuja, kaasuja, polttoaineita, liuottimia ja maaleja.

► **2.11.** Mikäli lämmitintä käytetään pressujen, verhojen tai samankaltaisten materiaalien läheisyydessä, käytä ylimääräisiä tulelta suojaavia suojuksia. Huolehdi riittävän etäisyyden säilyttämisestä lämmittimen kuumiin osiin. Etäisyys ei saa mistään syystä olla alle 2,5m tulenaroista (kangas, paperi, puu tms.) tai lämmön vaikutuksesta kärsivistä

materiaaleista (mukaan lukien virtalähteen johto, jos käytössä).

► **2.12.** Aseta kaasupullo suojattuun asentoon, laitteen taakse (Kuva 1). Lämmitintä ei saa koskaan suunnata kaasupullon suuntaan (Kuva 2).

► **2.13.** Ilmanottoaukkoa (takaosa) ja/tai ilman ulostuloaukkoa (etuosa) ei saa mistään syystä tukkia kokonaan tai osittain (Kuva 3). Vältä käyttämästä mitä tahansa lämmittimeen suuntaavaa tai siitä poistuvaa ilmakehää. Varmista, että jalustan pohjassa olevia ilman imureikiä ei tukita (malleissa, joissa käytetään tätä ratkaisua).

► **2.14.** Jos lämmitin ei käynnisty tai käynnistyksessä ilmenee ongelmia, tutustu asiaa koskevaan osioon (Kappale "12. TOIMINTAHÄIRIÖT, SYYT JA KORJAUSTOIMENPITEET").

► **2.15.** Kun lämmitin on käynnissä, sitä ei saa koskaan siirtää, käsitellä eikä huoltaa millään tavoin.

► **2.16.** Missä tahansa lämmittimen käyttö- tai seisontatilassa varo, ettei kaasuletku pääse vahingoittumaan (litistymään, taittumaan, vääntymään, kiristymään).

► **2.17.** Jos havaitset kaasun hajua, sammuta lämmitin välittömästi, sulje kaasupullo, irrota virtalähteen johto sähköverkosta ja/tai poista ladattava akku, ja ota sitten yhteyttä tekniseen huoltopalveluun.

► **2.18.** Jos kaasuputki joudutaan vaihtamaan, käytä vain käyttöpaineeseen sopivaa letkua kansallisten määräysten mukaisesti. Kaasuputken pituuden tulee olla 1,5m.

► **2.19.** Kun lämmitintä ei käytetä, irrota virtalähteen johto sähköverkosta ja/tai poista ladattava akku, sulje kaasunsyöttö, irrota kaasuletku lämmittimestä ja tuki kaasun sisäänvalo lämmittimeen.

► **2.20.** Tarkistuta lämmittimen oikea toiminta teknisessä huollossa vähintään kerran vuodessa ja/tai tarpeen mukaan.

► **2.21.** Varmista että lämmitin on sammunut ennen sähköjohdon liittämistä virtalähteeseen ja/tai ladattavan akun asettamista, kaikkien riskien välttämiseksi.

► **2.22.** Käytä vain ja ainoastaan erityisesti määrättyjä alkuperäisiä ladattavia akkuja. Ladattavien akkujen väärä käyttö voi aiheuttaa henkilövahinkoja tai hengenvaaran,

tapaturmia, palovammoja, räjähdyksiä, sähköiskuja tai myrkytyksiä.

► **2.23.** Säilytä sopiva turvaetäisyys irrotetun ladattavan akun ja liittimien, kolikoiden, avainten, naulojen, ruuvien ja muiden pienten metallisten esineiden välillä, koska ne voivat aiheuttaa oikosulun. Mahdollinen oikosulku ladattavan akun koskettimien välillä voi aiheuttaa henkilövahinkoja tai hengenvaaran, tapaturmia, palovammoja, räjähdyksiä, jne..

► **2.24.** Ladattavan akun väärä käyttö voi aiheuttaa akunesteiden ulos valumisen. Vältä kosketusta ehdottomasti. Vahingossa tapahtuneen kosketuksen jälkeen huuhtelee huolellisesti vedellä. Mene välittömästi lääkäriin, jos neste pääsee kosketuksiin silmien kanssa. Ladattavasta akusta valunut neste voi aiheuttaa ihoärsytystä tai palovammoja.

► **2.25.** Ladattavan akun väärä käyttö voi aiheuttaa akun höyryjen ulostulon. Vältä ehdottomasti hengittämästä näitä höyryjä. Tuuleta tila ja sisäänhengityksen tapauksessa mene lääkäriin mahdollisten vammojen varalta. Höyryt voivat ärsyttää hengitysteitä.

► **2.26.** Vakavien riskien välttämiseksi älä yritä avata/purkaa ladattavaa akkua.

► **2.27.** Vakavien riskien välttämiseksi suojaa ladattava akku lämmöltä (esim. jatkuvalta auringonvalolta, tulelta, vedeltä, kosteudelta, jne.).

► **2.28.** Käytä ladattavaa akkua, joka on tarkoitettu erityisesti tälle lämmittimelle, välttääksesi vaarallisia ylikuormituksia.

► **2.29.** Käytä vain alkuperäisiä ladattavia akkuja, joiden jännite vastaa lämmittimen teknisessä tietokyltissä annettuja tietoja. Jos käytät muita ladattavia akkuja (esimerkiksi akkukopioita, regeneroituja akkuja, kilpailevia akkuja, jne.), ne voivat aiheuttaa vammoja ja/tai räjähdysvaaran.

► **2.30.** Lataa ladattava akku vain ja ainoastaan alkuperäisellä akkulaturilla. Jokainen akku vaatii tietyn akkulaturin tulipalo- ja räjähdysvaaran välttämiseksi.

► **2.31.** Käytä vain tässä oppaassa määritetyjä virransyöttömenetelmiä. Siirtyäksesi menetelmästä toiseen suorita sammutusjakso (Kappale ”9. SAMMUTTAMINEN”). Virransyötön menetelmää ei saa vaihtaa lämmittimen ollessa toiminnassa vakavien vaurioiden välttämiseksi.

►►► 3. POLTTOAINETYYPPI

Käytä vain luokan I₃B/P kaasua.

►►► 4. OSIEN KUVAUS

►► 4.1. VIRTALÄHDE (jos käytössä):

VIRTALÄHDETTÄ EI VOI KÄYTTÄÄ AKKULATURINA.

(Kuva 4) Lämmitin voi toimia liitettynä sähköverkkoon virtalähteeksi kutsutun laitteen kautta. Virtalähde on suunniteltu vastaanottamaan sähköverkon tuottama yksivaiheinen vaihtovirta sisääntulossa ja muuntamaan se ulostulossa tasavirraksi, joka soveltuu lämmittimen toimintaan. On tärkeää noudattaa virtalähteen toimintaparametreja (katso virtalähteeseen liitetty tietokyltti). Käytä virtalähdettä täysin kuivissa tiloissa, jotka on suojattu pölyltä, ja ainoastaan tämän lämmittimen virransyöttöön. Tarkista säännöllisesti virtalähteen johdon kunto vakavien vaurioiden välttämiseksi. Noudata kaikkia tässä oppaassa annettuja virtalähdettä koskevia varoituksia.

►► 4.2. AKKU (jos käytössä):

(Kuva 5) Lämmitin voi toimia itsenäisesti ladattavalla alkuperäisellä litiumioniakulla, mikä ei vaadi liittämistä sähköverkkoon. Ladattava akku toimitetaan osittain ladattuna ja tästä syystä suosittelemme lataamaan akun täyteen ennen ensimmäistä käyttöä. Käytä lämmittimen virransyötössä vain alkuperäisiä akkuja. Noudata kaikkia tässä oppaassa annettuja akkua koskevia varoituksia.

►► 4.3. AKKULATURI (jos käytössä):

(Kuva 6) Akkulaturi on suunniteltu alkuperäisten ladattavien akkujen lataamiseen. On tärkeää noudattaa akkulaturin toimintaparametreja (katso virtalähteeseen liitetty tietokyltti). Käytä akkulaturia täysin kuivissa ja pölyltä suojatuissa paikoissa ja ainoastaan tämän lämmittimen virransyöttöön tarkoitettujen alkuperäisten akkujen lataamiseen. Akkulaturi on suunniteltu suorittamaan oikea latausjakso automaattisesti, kun siihen liitetään ladattava akku (Kuva 7). Sarja akkulaturissa sijaitsevia valo-osoittimia mahdollistaa yksityiskohtaisen latauksen seurannan akun latausvaiheen

aikana (Kuva 8). Noudata kaikkia tässä oppaassa annettuja akkulaturia koskevia varoituksia.

►►► 5. KAASUPULLON LIITÄNTÄ JA VAIHTO

Kaasupullo on vaihdettava ulkoilmassa kaukana lämmönlähteistä, liekittömässä tilassa.

Kaasupullon liitännässä lämmittimeen on käytettävä vain seuraavia lisävarusteita:

- Nestekaasulle tarkoitettu letku.
- Nestekaasulle tarkoitettu paineensäädin, joka on varustettu turvaventtiilillä.

TARKISTA KAASUN SYÖTTÖLETKUN KUNTO. JOS SE ON VAIHDETTAVA, KÄYTÄ VAIN JOUSTAVAN TYYPISTÄ, KÄYTTÖPAINEESEEN SOVELTUVAA JA KANSALLISTEN MÄÄRÄYSTEN MUKAISTA LETKUA.

►Lämmittimen liittämiseksi kaasupulloon:

HUOMIO: KAIKKI KIERTEET OVAT VASEMMALLE SUUNTAAVIA, ELI KIRISTYS ON TEHTÄVÄ VASTAPÄIVÄÄN.

►5.1.Ruuvaa kaasuletku lämmittimen liitokseen (Kuva 9).

►5.2.Asenna kaasupulloon paineensäädin. Varmista, että paineensäätimessä on tiiviste (jos liitostyyppi sitä vaatii) (Kuva 10).

►5.3.Liitä kaasuletku paineensäätimeen (Kuva 11).

►5.4.Avaa kaasupullon hana (Kuva 12).

►5.5.Paina säätimen vapautuspainiketta (Kuva 13). **Tarkista liitosten pitävyys saippuavedellä: kuplien ilmestyminen on osoitus mahdollisista kaasuvuodoista (Kuva 14).** Voit liittää yhteen useampia kaasupulloja laitteen käyttöajan pidentämiseksi. Oikea käyttöpaine (katso lämmittimeen kiinnitetty tietokilpi) saadaan varustuksiin kuuluvasta tai vastaavasta säätimestä.

►►► **6. SÄHKÖNSYÖTTÖ KÄYTÄ VAIN TÄSSÄ KUVATTUJA VIRRANSYÖTTÖMENETELMIÄ. SIIRTYÄKSESI MENETELMÄSTÄ TOISEEN SUORITA SAMMUTUSJAKSO (Kappale ”9. SAMMUTTAMINEN”)**

VIRRANSYÖTTÖMENETELMÄN MUUTTAMINEN ON KIELLETTYÄ LÄMMITTIMEN OLLESA KÄYTÖSSÄ.

►► 6.1. VIRTALÄHTEELLÄ TOIMIVA

LÄMMITIN (kun käytössä):

SÄHKÖVERKKON LIITÄNNÄT ON TEHTÄVÄ VOIMASSA OLEVIEN KANSALLISTEN MÄÄRÄYSTEN MUKAISESTI.

Ennen lämmittimen liittämistä sähköverkkoon, varmista että:

►6.1.1.Sähköverkko on varustettu vikavirtasuojakytkimellä ja sopivalla maadoituksella.

►6.1.2.Virransyötön jännite ja taajuus ovat oikeat (katso virtalähteen tietokyltti).

Liitä virtalähde lämmittimeen (Kuva 15) ja liitä sitten virtalähde sähköverkkoon (Kuva 16).

►► 6.2. LADATTAVALLA AKULLA TOIMIVA

LÄMMITIN (kun käytössä):

KÄYTÄ VAIN ALKUPERÄISIÄ LADATTAVIA AKKUJA, JOIDEN JÄNNITE VASTAA LÄMMITTIMEN TEKNISESSÄ TIETOKYLTISSÄ ANNETTUJA TIETOJA.

Liitä ladattava akku akkupesään, joka sijaitsee lämmittimen alustan alla (Kuva 17).

Ladattava akku (sisältyy pakkaukseen ja/ tai lisävaruste mallista riippuen) toimitetaan osittain ladattuna. Ladattavan akun täyden tehokkuuden varmistamiseksi se on ladattava täysin alkuperäisessä akkulaturissa ennen ensimmäistä käyttöä (jokainen akku vaatii erityisen akkulaturinsa). Ladattava akku on varustettu lämpötilan valvojalla ”NTC”, joka sallii latauksen ainoastaan 0°C ja 40°C lämpötilan välillä. Tällä tavoin ladattavan akun kesto paranee.

►► 6.3. VIRTALÄHTEELLÄ TOIMIVA

LÄMMITIN, KUN AKKU PAIKALLAAN (kun käytössä):

Liitä virtalähde lämmittimeen (Kuva 15) ja liitä sitten virtalähde sähköverkkoon (Kuva 16) (katso lämmittimeen liitetty tietokyltti). Lämmitin ohittaa automaattisesti ladattavan akun. **VIRTALÄHDETTÄ EI VOI KÄYTTÄÄ AKKULATURINA,** kun lämmitin toimii sähköverkon kautta, ladattava akku ei lataudu.

►►► 7. KÄYNNISTÄMINEN

►► 7.1. LÄMMITYSTOIMINTO:

► 7.1.1. Käännä virtakatkaisin ”O/I” asentoon ”I” (Kuva 18).

► 7.1.2. Odota joitakin sekunteja.

► 7.1.3. Paina kaasupainike pohjaan ja pidä sitä painettuna (Kuva 19).

► 7.1.4. Paina pietsosähköistä sytytintä pohjaan toistuvasti (Kuva 20) pitämällä kaasupainiketta painettuna (Kuva 19).

► 7.1.5. Kun liekki on syttynyt, pidä kaasupainiketta painettuna noin 15 sekunnin ajan (Kuva 21).

► 7.1.6. Vapauta kaasupainike (Kuva 22).

Lämmitin sammuu sähkökatkoksen johdosta, tai kaasun puutteesta. Lämmittimen uudelleenkäynnistys ei ole automaattinen vaan se tulee suorittaa manuaalisesti toistamalla käynnistykseen kuuluva menetelmä. Jos lämmitin ei käynnisty, katso asiaa koskeva osio (Kappale ”12. TOIMINTAHÄIRIÖT, SYYT JA KORJAUSTOIMENPITEET”).

►► 7.2. TUULETUSTOIMINTO:

Lämmitintä voidaan käyttää myös tuulettimena. Liitä lämmitin sähköjohtoon ja/tai aseta ladattava akku laitteeseen ja kytke ”O/I” katkaisija asentoon ”I” (Kuva 18).

HUOM: Kun lämmitin toimii lämmitystoiminnolla, suorita oikeaoppinen sammutusjakso ennen siirtymistä tuuletustoimintoon (Kappale ”9. SAMMUTTAMINEN”).

►►► 8. LÄMPÖTEHON SÄÄTÖ

Lämpötehoa voidaan säätää lämmittimen alustassa sijaitsevan nupin avulla (Kuva 23).

►►► 9. SAMMUTTAMINEN

► 9.1. Sulje kaasupullon hana (Kuva 24).

► 9.2. Anna tuulettimen toimia noin 60 sekunnin ajan ylikuumenemisesta johtuvien sisäisten vaurioiden estämiseksi (lämmittimen sisäinen jäädyttäminen).

► 9.3. Käännä virtakatkaisin ”O/I” asentoon ”O” (Kuva 25).

► 9.4. Kytke lämmitin pois verkosta (Kuva 26) ja/tai kytke ladattava akku irti sähköverkosta tai irrota akku (Kuva 27).

► 9.5. Kytke lämmitin irti kaasun syöttöletkusta (Kuva 28-29-30).

►►► 10. PUHDISTUS JA HUOLTO

Tarkistuta lämmittimen oikea toiminta teknisessä huollossa vähintään kerran vuodessa ja/tai tarpeen mukaan. Puhdista lämmitin käytön jälkeen ennen sen varastointia.

► 10.1. Ennen minkä tahansa lämmittintä koskevan huolto-, hoito- ja korjaustoimenpiteen aloittamista, suorita sammutusjakso (Kappale ”9. SAMMUTTAMINEN”).

► 10.2. Puhdistus koskee vain lämmittimen ilmanottoaukkoa (takaosa).

► 10.3. Kun lämmitin otetaan uudelleen käyttöön, tarkista kaasuletkun kunto; jos sen ehjyydestä on epäilyksiä, pyydä teknistä huoltopalvelua tarkastamaan se.

► 10.4. Älä suorita valtuuttamattomia toimenpiteitä.

►►► 11. AKUN SÄILYTYS JA VAIHTAMINEN

ÄLÄ SÄILYTÄ JA VARASTOI AKKUA ALHAISISSA LÄMPÖTILOISSA PITKIÄ AIKOJA.

Ladattavat litiumioniakut ovat vaarallista tavaraa koskevan lain vaatimuksien alaisia. Käyttäjä voi kuljettaa ladattavia akkuja tiellä ilman erityisiä varotoimia. Jos akut lähetetään kolmansien osapuolten kautta (esim. lentokuljetuksena ja/tai lahetin kautta), on noudatettava voimassa olevien määräysten mukaisia erityisvaatimuksia. Lähetä ladattava akut vain, jos niiden runko ei ole vahingoittunut. Peitä avonaiset liittimet teipillä ja pakkaa ladattava akku niin, ettei se liiku pakkauksessa. Pyydämme ottamaan huomioon myös mahdolliset kansalliset määräykset.

►►► 12. TOIMINTAHÄIRIÖT, SYYT JA KORJAUSTOIMENPITEET

TOIMINTAHÄIRIÖT	SYYT	KORJAUSTOIMENPITEET
Moottori ei käynnisty	Jännite puuttuu (jos toimii verkon kautta)	1.Tarkista verkkojärjestelmä 2.Tekninen huolto
	Akku tyhjä (jos toimii akulla)	1.Lataa akku 2.Tekninen huolto
	Viallinen virransyöttö tai akku	Tekninen huolto
	Moottori vioittunut	Tekninen huolto
Liekki ei syty	Kaasupullo on kulunut loppuun	Vaihda kaasupullo (Kappale 5)
	Säätimen turvaventtiili lukkiutunut	1.Paina säätimen kaasun vapautuspainiketta (Kuva 13) 2.Tekninen huolto
	Kaasupullon hana kiinni	Avaa kaasupullon hana (Kuva 12)
	Sytytyspiiri viallinen	Tekninen huolto
Liekki ei jää palamaan	Kaasupainiketta ei ole painettu riittävän pitkään	Paina kaasupainiketta pidempään (Kappale 7.1.5.)
	Lämmitin viallinen	Tekninen huolto
Liekki sammuu käytön aikana	Kaasunsyöttö ei ole riittävä	1.Vaihda kaasupullo (Kappale 5) 2.Tekninen huolto
	Lämmittimen ylikuumentuminen	1.Puhdista ilmanottoaukko (takaosa) 2.Tekninen huolto
	Lämmitin viallinen	Tekninen huolto

INNHOLDSFORTEGNELSE AVSNITT

1...	BESKRIVELSE
2...	ADVARSLER
3...	TYPE BRENNSTOFF
4...	BESKRIVELSE
5...	TILKOBLING OG BYTTE AV GASSFLASKEN
6...	STRØMFORSYNING
7...	SLÅ PÅ
8...	REGULERING AV VARMEEFFEKT
9...	SLÅ AV
10...	RENGJØRING OG VEDLIKEHOLD
11...	OPPBEVARING OG TRANSPORT AV BATTERIET
12...	FUNKSJONSFEIL, ÅRSAKER OG LØSNINGER

no

VIKTIG: LES OG FORSTÅ DENNE MANUALEN FØR DU UTFØRER MONTERING, IGANGSETTING ELLER VEDLIKEHOLD AV DETTE APPARATET. FEIL BRUK AV APPARATET KAN FØRE TIL ALVORLIGE SKADER. TA VARE PÅ DENNE MANUALEN FOR FREMTIDIG BRUK.

►►► 1. BESKRIVELSE

Dette er et bærbart varmluftsapparat som fungerer med flytende gass. Det kjennetegnes av en total utnyttelse av brenselet på grunn av varmeveksling mellom luft i innførsel og brennstoffene. Det er utstyrt med et praktisk håndtak for å gjøre transport og håndtering lettere. Dette apparatet kan drives via spesifikk strømforsyner eller et system med oppladbare batterier. Det er utformet iht. NS-EN 1596.

►►► 2. ADVARSLER

►⚠️ **VIKTIG:** Apparatet må ikke brukes til oppvarming av hus i boligområder. For bruk i offentlige bygg, henviser vi til nasjonale forskrifter.

►⚠️ **VIKTIG:** Dette apparatet er ikke egnet for bruk av personer (inkludert barn) med redusert fysisk-, sanselig- eller mental kapasitet, eller uerfarne, med mindre de blir overvåket av en person som er ansvarlig for deres sikkerhet. Barn må holdes under oppsyn for å sikre at de ikke leker med apparatet. Hold dyr på sikker avstand fra varmeapparatet.

►⚠️ **VIKTIG:** Feil bruk av dette luftvarmeapparatet kan forårsake skader på personer, brannskader, eksplosjoner, elektrisk støt, forgiftning eller livstruende skade. De første symptomene på asfyksi fra karbonmonoksid ligner på influensasymptomer, med hodepine, svimmelhet, og/eller kvalme. De nevnte symptomene kan være forårsaket av en funksjonsfeil på varmeapparatet. **DERSOM SLIKE SYMPTOMER SKULLE FOREKOMME, GÅ UMIDDELBART UTENDØRS** og lever apparatet til reparasjon ved et teknisk servicesenter.

►⚠️ **VIKTIG:** Rengjøring, vedlikehold og reparasjon som krever tilgang til farlige deler må utføres av produsenten, teknisk assistanse eller en kvalifisert person slik at man unngår en hver form for risiko. Dette gjelder også selv om apparatet kobles fra strømforsyningen.

► **2.1.** For korrekt bruk av apparatet og oppbevaring av brennstoff, må man følge lokale bestemmelser og gjeldende regelverk.

► **2.2.** Apparatet krever riktig ventilasjon for at det kan fungere. Derfor skal det bare brukes utendørs eller i rom hvor vedvarende

ventilasjon kan garanteres. God ventilasjon garanteres når rommets volum er beregnet ut i fra varmeeffekt, med formelen 1m^3 hver 100W. Anbefalt romvolum skal aldri være mindre enn 100m^3 . God ventilasjon garanteres når man har en åpning som tilfredsstillende formelen 25cm^2 for hver kW varmeeffekt, med minimum 250cm^2 , likt fordelt mellom øvre og nedre del av rommet. For installasjon gjelder nasjonale forskrifter, også når det gjelder tekniske regler og forskrifter angående skadeforebygging og brannvern.

► **2.3.** Apparatet må kun brukes til oppvarming av luften (oppvarmingsmodus), eller som vifte (ventilasjonsmodus). Følg nøye disse instruksjonene for bruk av apparatet.

► **2.4.** Produsenten fraskriver seg alt ansvar for skader på ting og/eller personer som oppstår på grunn av feil bruk av apparatet.

► **2.5.** Bruk utelukkende den type brennstoff som er angitt på varmeapparatets typeskilt.

► **2.6.** Forsikre seg om at apparatet kun kobles til strømnett utstyrt med jordfeilbryter og som er skikkelig jordet.

► **2.7.** Bruk kun skjøteledninger med egnet tverrsnitt, og jordledning.

► **2.8.** Apparatet må kun brukes på en jevnt, stabilt og brannsikkert underlag for å unngå brannfare.

► **2.9.** Det er strengt forbudt å anvende apparatet i kjellerrom eller i underjordiske lokaler.

► **2.10.** Apparatet må ikke brukes i områder hvor det sprengstoff, røyk, gass, brennstoffer, løsemidler, maling.

► **2.11.** Dersom dette apparatet brukes i nærheten av presenninger, telt eller andre lignende tildekningsmaterialer, anbefaler vi bruk av ekstra brannsikre beskyttelser. Pass på å opprettholde passende avstand, som aldri må være mindre enn 2,5m fra brennbar materiale (stoff, papir, tre, osv.) eller termolabile materialer (inkludert strømkabelen hvis denne finnes) og varmeapparatets varme deler.

► **2.12.** Plasser gassflasken i beskyttet posisjon, bak apparatet (Fig. 1). Apparatet må aldri rettes mot gassflasken (Fig. 2).

► **2.13.** Det er forbudt å tildekke helt eller delvis luftinntaket (bak) og/eller luftutløpet (foran) (Fig. 3). Unngå bruk av en hvilken

som helst form for kanalisering av luften til/ fra apparatet. Forsikre seg om at åpningene for luftinntak nede på basen ikke tilstoppes (gjelder de modeller med denne løsningen).

► **2.14.** Dersom apparatet ikke slår seg på, eller slår seg på på en unormal måte, konsulter tilhørende avsnitt (Avsnitt "12. FUNKSJONSFEIL, ÅRSAKER OG LØSNINGER").

► **2.15.** Når apparatet er i bruk, må det aldri flyttes, håndteres eller utsettes for vedlikehold.

► **2.16.** Uansett om apparatet er i bruk eller om det står i ro, vær oppmerksom på at den fleksible gasslangen ikke skades (klemmes, bøyes, vris, strekkes osv.).

► **2.17.** Dersom man kjenner gasslukt, slå varmeapparatet av øyeblikkelig, steng gassflasken, trekk ut strømledningen og/eller fjern det oppladbare batteriet og ta deretter kontakt med teknisk service.

► **2.18.** Dersom man må erstatte gasslangen, bruk kun fleksible slanger som er egnet for driftstrykk, og ta hensyn til nasjonale lovverk. Gasslangen må være 1,5m lang.

► **2.19.** Når apparatet ikke er i bruk, må man trekke stømforsynerens støpsel fra strømnettet, stenge gasstilførselen, fjerne gassledningen fra varmeapparatet og lukke igjen åpningen for gasstilførsel på varmeapparatet.

► **2.20.** La teknisk service utføre en funksjonskontroll av apparatet minst en gang i året eller etter behov.

► **2.21.** Forsikre seg om at varmeapparatet er slått av før du kobler apparatet til strømforsyneren og/eller setter i det oppladbare batteriet for å unngå enhver fare.

► **2.22.** Bruk kun originale oppladbare batterier. Feil bruk av oppladbare batterier kan forårsake skader på personer, brannså, eksplosjoner, elektrisk støt, forgiftning eller livstruende skade.

► **2.23.** Pass på at det er en sikker avstand mellom frakoblet oppladbart batteriet og binders, mynter, nøkler, spiker, skruer og andre små metaltallgjenstander som kan føre til en eventuell kortslutning. En eventuell kortslutning mellom kontaktene på det oppladbare batteriet kan medføre skader på personer, brannså, eksplosjoner livstruende skade osv..

► **2.24.** Feil bruk av det oppladbare batteriet kan føre til at væske renner ut fra batteriet. Unngå kontakt med denne væsken. Ved tilfeldig kontakt skylld godt med vann. Kontakt umiddelbart en lege dersom væsken kommer i kontakt med øynene. Væsken som renner ut fra det oppladbare batteriet kan forårsake irritasjon eller brannskår.

► **2.25.** Feil bruk av det oppladbare batteriet kan føre til at damp kommer ut av batteriet. Unngå å inhalere denne dampen. Slipp inn frisk luft ved tilfeldig inhalering og gå til lege hvis du føler deg dårlig. Dampen kan irritere luftveiene.

no ► **2.26.** For å unngå alvorlig fare må du ikke prøve å åpne/demontere det oppladbare batteriet.

► **2.27.** For å unngå alvorlig fare må du beskytte det oppladbare batteriet mot varme (for eksempel kontinuerlig solstråling, brann, vann, fuktighet osv.).

► **2.28.** Bruk det oppladbare batteriet kun sammen med dette varmeapparatet for å unngå farlige overbelastninger.

► **2.29.** Bruk kun originale oppladbare batterier med den spenning som er angitt på typeskiltet på varmeapparatet. Ved bruk av andre oppladbare batterier (f.eks. uoriginale batterier, regenererte batterier, konkurrerende batterier osv.) er det fare for skader og/eller eksplosjoner.

► **2.30.** Lad det oppladbare batteriet kun med original batterilader. Hvert batteri krever original batterialder for å unngå fare for brann og eksplosjon.

► **2.31.** Bruk kun strømforsyningsmodus fastsatt i denne veiledningen. For å gå fra en modus til den andre, utfør sekvens for avslåing (Avsnitt "9. SLÅ AV"). Det er forbudt å endre forsyningsmodus mens varmeapparatet er i drift for å unngå alvorlige skader.

► ► ► 3. TYPE BRENNSTOFF

Bruk kun gass av type I₃B/P.

► ► ► 4. BESKRIVELSE

► ► 4.1. STRØMFORSYNER (hvis den finnes):

STRØMFORSYNEREN VIRKER IKKE SOM BATTERILADER.

(Fig. 4) Varmeapparatet kan fungere tilkoblet strømmettet ved hjelp av en strømforsyner. Strømforsyneren er utformet for å motta enfaset vekselstrøm i inngang fra strømmettet som omdannes i utgang til vekselstrøm som er egnet for funksjon av varmeapparatet. Det må tas hensyn til strømforsynerens driftsparameter (se typeskilt festet på strømforsyneren). Bruk strømforsyneren kun på steder hvor det er helt tørt og beskyttet mot støv og kun til strømforsyning av dette varmeapparatet. Kontroller regelmessig strømkabelen for å unngå alvorlige skader. Overhold alle advarsler beskrevet i denne bruksanvisningen som gjelder strømforsyneren.

► ► 4.2. BATTERI (hvor dette finnes):

(Fig. 5) Varmeapparatet kan brukes frittstående med et originalt oppladbart Li-on batteri uten å være tilkoblet strømmettet. Det oppladbare batteriet leveres delvis oppladet og vi anbefaler derfor å utføre en komplett ladesyklus før det tas i bruk. Bruk kun originale batterier til varmeapparatet. Overhold alle advarsler beskrevet i denne bruksanvisningen som gjelder batteriet.

► ► 4.3. BATTERILADER (hvis denne finnes):

(Fig. 6) Batteriladeren er konstruert for å lade opp kun originale batterier. Det må tas hensyn til batteriladerens driftsparameter (se typeskilt festet på batteriladeren). Bruk batteriladeren kun på steder hvor det er helt tørt og beskyttet mot støv og kun for å lade opp de oppladbare batteriene som brukes for å strømforsyne dette varmeapparatet. Batteriladeren er konstruert for å styre automatisk korrekt ladesyklus når det oppladbare batteriet tilkobles (Fig. 7). En serie varsellys på batteriladeren gir en detaljert diagnose i fasen for opplading av batteriet (Fig. 8). Overhold alle advarsler beskrevet i denne bruksanvisningen som gjelder batteriladeren.

►►► 5. TILKOBLING OG BYTTE AV GASSFLASKEN

Gassflasken må byttes utendørs, langt unna varmekilder og flammer.

For tilkobling av gassflasken til apparatet må følgende utstyr brukes:

- Slange for flytende gass.
- Trykkregulator for flytende gass med sikkerhetsventil.

KONTROLLER AT SLANGEN FOR GASSTILFØRSEL ER HEL. DERSOM DEN MÅ ERSTATTES, BRUK KUN SLANGER AV DEN FLEKSIBLE TYPEN SOM ER EGNET FOR DRIFTSTRYKK OG VED Å REFERERE TIL NASJONALE LOVER.

► For tilkobling av apparatet til gassflasken: **VÆR OPPMERKSOM: ALLE GJENGENE ER VENSTREHENDTE, DET VIL SI AT DE STRAMMES MOT KLOKKERETNING.**

► **5.1.** Skru gassledningen til apparatets feste (Fig. 9).

► **5.2.** Installer trykkregulatoren på gassflasken. Forsikre seg om at pakningen på regulatoren er på plass (dersom denne type feste forutser at denne finnes) (Fig. 10).

► **5.3.** Fest gasslangen til trykkregulatoren (Fig. 11).

► **5.4.** Åpne gassflaskens kran (Fig. 12).

► **5.5.** Trykk på knappen som frigjør regulatoren. (Fig. 13). **Kontroller koblingenes tetthet med såpevann: eventuelle bobler indikerer at det er gasslekkasje (Fig. 14).** Man kan koble flere gassflasker sammen for lenger autonomi. Korrekt driftstrykk (se typeskiltet festet til varmeapparatet) er gitt av medfølgende regulator eller av en lik modell.

►►► **6. STRØMFORSYNING**
BRUK KUN FORSYNINGSMODUS BESKREVET UNDER. FOR Å GÅ FRA EN MODUS TIL EN ANNEN, UTFØR SEKVENNS FOR AVSLÅING (Avsnitt "9. SLÅ AV"). DET ER FORBUDT Å ENDRE FORSYNINGSMODUS MENS VARMEAPPARATET ER I DRIFT.

►► 6.1. VARMEAPPARAT SOM STRØMFORSYNES AV STRØMFORSYNER (hvor denne finnes):

KOBLING TIL STRØMNETTET MÅ UTFØRES IHT. GJELDENDE NASJONALE FORSKRIFTER.

Før varmeapparatet kobles til strømmettet må man forsikre seg om at:

► **6.1.1.** Strømmettet er utstyrt med jordfeilbryter og egnet jording.

► **6.1.2.** Matespenning og frekvens er korrekte (se typeskiltet festet på strømforsyneren).

Koble strømforsyneren til varmeapparatet (Fig. 15), og deretter koble strømforsyneren til strømmettet (Fig. 16).

►► 6.2. VARMEAPPARAT SOM STRØMFORSYNES AV OPPLADBART BATTERI (hvor dette finnes):

BRUK KUN ORIGINALE OPPLADBARE BATTERIER MED DEN SPENNING SOM ER ANGITT PÅ TYPESKILTET PÅ VARMEAPPARATET.

Plasser det oppladbare batteriet i batterirommet som er under varmeapparatets base (Fig. 17).

Det oppladbare batteriet (medfølger i esken eller/og er tilleggsutstyr avhengig av modell) leveres delvis oppladet. For å garantere full effekt av det oppladbare batteriet, utføre en komplett ladesyklus i den originale laderen før det tas i bruk (hvert batteri krever spesiell lader). Det oppladbare batteriet er utstyrt med en temperaturkontroll "NTC" som tillater opplading kun med temperaturer mellom 0°C og 40°C. På dette vis varer det oppladbare batteriet lenger.

►► 6.3. VARMEAPPARAT SOM STRØMFORSYNES AV STRØMFORSYNER MED BATTERI TILKOBLET (hvor denne finnes):

Koble strømforsyneren til varmeapparatet (Fig. 15), og deretter koble strømforsyneren til strømmettet (Fig. 16) (se typeskiltet festet til varmeapparatet). Varmeapparatet utelater automatisk det oppladbare batteriet. **STRØMFORSYNEREN VIRKER IKKE SOM BATTERILADER**, dermed vil ikke batteriet lades mens varmeapparatet er tilkoblet strømmettet.

►►► 7. SLÅ PÅ

►► 7.1. OPPVARMINGSMODUS:

► 7.1.1. Sett bryteren "O/I" på "I" (Fig. 18).

► 7.1.2. Vent noen sekunder.

► 7.1.3. Trykk gassknappen inn ned og hold den inne (Fig. 19).

► 7.1.4. Trykk gjentatte ganger på den elektriske piezotenneren (Fig. 20), og samtidig hold inne gassknappen (Fig. 19).

► 7.1.5. Når flammen tennes, fortsett å holde inne gassknappen i cirka 15 sekunder (Fig. 21).

► 7.1.6. Slipp gassknappen (Fig. 22).

no Dersom det oppstår et strømavbrudd eller gassmangel, vil apparatet slå seg av. Ny antenning skjer ikke automatisk, men må utføres manuelt ved å gjenta prosedyren for antenning. Dersom apparatet ikke starter, se tilhørende avsnitt (Avsnitt "12. FUNKSJONSFEIL, ÅRSAKER OG LØSNINGER").

►► 7.2. VIFTEMODUS:

Varmeapparatet kan også brukes som vifte. Koble apparatet til strømmettet og/eller sett i det oppladbare batteriet og sett bryteren "O/I" på "I" (Fig. 18).

MERK: Når apparatet fungerer i oppvarmingsmodus, må man først utføre sekvens for avslåing før den settes i viftemodus (Avsnitt "9. SLÅ AV").

►►► 8. REGULERING AV VARMEEFFEKT

Varmeeffekten kan reguleres ved bruk av bryteren på apparatets base (Fig. 23).

►►► 9. SLÅ AV

► 9.1. Steng gassflasken (Fig. 24).

► 9.2. La viften virke i cirka 60 sekunder, slik at man unngår innvendige skader på grunn av overoppheting (intern nedkjøling av apparatet).

► 9.3. Sett bryteren "O/I" på "O" (Fig. 25).

► 9.4. Koble apparatet fra strømmettet (Fig. 26) og/eller fjern det oppladbare batteriet fra strømmettet eller koble fra batteriet (Fig. 27).

► 9.5. Koble varmeapparatet fra gassslangen (Fig. 28-29-30).

►►► 10. RENGJØRING OG VEDLIKEHOLD

La teknisk service utføre en funksjonskontroll av apparatet minst en gang i året eller etter behov. Varmeapparatet må rengjøres før det settes vekk etter bruk.

► 10.1. Før man tar til med vedlikehold, renhold og reparasjon av apparatet, utfør sekvens for avslåing (Avsnitt "9. SLÅ AV").

► 10.2. Rengjøringen gjelder kun luftuttaket (på baksiden) av varmeapparatet.

► 10.3. Når apparatet brukes på nytt, kontroller at gassslangen og strømledningen er hele; i tilfelle tvil, ta kontakt med teknisk service.

► 10.4. Ikke utfør uautoriserte inngrep.

►►► 11. OPPBEVARING OG TRANSPORT AV BATTERIET

BATTERIET MÅ IKKE OPPBEVARES OG LAGRES OVER LENGRE TID PÅ STEDER MED LAV TEMPERATUR.

Oppladbare Li-ion batterier er underlagt lover som gjelder farlig gods. De oppladbare batteriene kan transporteres på vei av bruker uten ytterligere forholdsregler. Når det gjelder frakt via tredjeparter (for eksempel luftfart og/eller speditør) må bestemte krav iht. gjeldende lovverk overholdes. Send oppladbare batterier kun dersom batterihuset ikke er skadet. Dekk til åpne kontakter med teip og pakk batteriet slik at det ikke beveger seg inni emballasjen. Vi ber dere også følge andre eventuelle nasjonale forskrifter.

►►► 12. FUNKSJONSFEIL, ÅRSAKER OG LØSNINGER

FUNKSJONSFEIL	ÅRSAKER	LØSNINGER
Motoren starter ikke	Spenning mangler (hvis strømforsynt)	1.Kontroller nettverket 2.Teknisk service
	Utladet batteri (hvis det brukes med batteri)	1.Lad opp batteriet 2.Teknisk service
	Feil med strømtilførsel eller batteri	Teknisk service
	Motorfeil	Teknisk service
Flammen antennes ikke	Gassflasken er tom	Bytt gassflaske (Avsnitt 5)
	Regulatorens sikkerhetsventil er blokkert	1.Trykk på knappen som frigjør regulatoren (Fig. 13) 2.Teknisk service
	Gassflaskens kran er stengt	Åpne kranen på gassflasken (Fig. 12)
	Feil på tenningskretsen	Teknisk service
Flammen forblir ikke antent	Gassknappen holdes ikke lenge nok inne	Trykk på gassknappen lenger (Avsnitt 7.1.5.)
	Feil på varmeapparatet	Teknisk service
Flammen slår seg av under drift	For liten gasstilførsel	1.Bytt gassflaske (Avsnitt 5) 2.Teknisk service
	Overoppheting av varmeapparatet	1.Rengjør luftinntaket (på baksiden) 2.Teknisk service
	Feil på varmeapparatet	Teknisk service

AVSNITTSFÖRTECKNING

1...	BESKRIVNING
2...	VARNINGSFÖRESKRIFTER
3...	BRÄNSLESORTER
4...	ARTIKELBESKRIVNING
5...	ANSLUTNING OCH BYTE AV GASBEHÅLLAREN
6...	ELEKTRISK STRÖMTILLFÖRSEL
7...	TÄNDNING
8...	REGLERING AV VÄRMEEFFEKT
9...	AVSTÄNGNING
10...	RENGÖRING OCH UNDERHÅLL
11...	FÖRVARING OCH INKOPPLING BATTERI
12...	DRIFTFEL, ORSAKER OCH ÅTGÄRDER

SV

VIKTIGT: SE TILL ATT DU HAR LÄST IGENOM OCH FÖRSTÅTT DEN HÄR MANUALEN INNAN DU UTFÖR MONTERING, DRIFTSÄTTNING ELLER UNDERHÅLL AV GENERATORN. EN FELAKTIG ANVÄNDNING AV GENERATORN KAN VÅLLA ALLVARLIGA SKADOR. FÖRVARA MANUALEN FÖR FRAMTIDA BRUK.

►►► 1. BESKRIVNING

Detta är en bärbar värmare som drivs med hjälp av flytande gas. Dess kännetecknande egenskap är att den utnyttjar bränslet till max via värmeväxlingen som sker när den uppsugna luften beblandas direkt med förbränningsprodukterna. Värmaren är försedd med ett praktiskt handtag som fyller funktionen att underlätta frakt och förflyttning. Den här värmaren kan försörjas via en särskild laddare, eller också via ett system för återladdningsbara batterier. Värmaren är tillverkad enligt bestämmelsen EN 1596.

►►► 2. VARNINGSFÖRESKRIFTER

►⚠️ **VIKTIGT:** Använd inte värmaren till en uppvärmning av beboeliga ytor i bostadsfastigheter. Vid en användning i allmänna lokaler hänvisas det till nationell lagstiftning.

►⚠️ **VIKTIGT:** Denna värmare lämpar sig inte för att användas av oerfarna personer (inklusive barn) eller personer med begränsade fysiska sensoriska och mentala förmågor. Ett undantag är om personerna i fråga övervakas av en vuxen person som då är ansvarig för deras säkerhet. Om barn

vistas i närheten ska de övervakas så att man är säker på att de inte leker med värmaren. Ha djur på ett säkerhetsavstånd från värmaren.

►⚠️ **VIKTIGT:** En oriktig användning av värmaren kan föranleda till personskada eller personlivsfara, samt brännskada, explosion, elchock eller förgiftning. De första symtomen på syrebrist från kolmonoxid påminner om symtomen för influensa med huvudvärk, yrsel och/eller illamående. Dessa symtom kan ha uppstått av att värmaren inte fungerar på ett defekt sätt. OM DESSA SYMTOM UPPSTÅR SKA NI OMEDELBART BEGE ER UTOMHUS och få värmaren reparerad av teknisk support.

►⚠️ **VIKTIGT:** Samtliga rengörings-, underhålls- och reparationsmoment som förutser att man behöver tillträda farliga delar behöver utföras av tillverkaren själv, av tillverkarens tekniska kundtjänst eller av en person som besitter liknande kvalifikationer så att samtliga risker förebyggs, och även i de fall som man har förutsett en fränkoppling från elnätet.

► 2.1. För en korrekt användning av värmaren och till bränslets förvaring ska man följa samtliga lokala förordningar och gällande lagbestämmelser.

► **2.2.**För att värmaren ska kunna fungera krävs det en lagom luftutvädring. Därför ska värmaren användas utomhus eller i lokaler där en kontinuerlig vädring kan garanteras. En god vädring garanteras när rummets volym sätts i förhållande till värmeeffekten enligt formeln 1m^3 per 100W effekt. Av ingen anledning ska den rekommenderade rumsvolymen understiga 100m^3 . En god vädring garanteras av förekomsten av en öppning som uppfyller kravet 25cm^2 per kW värmeeffekt och där den sammanlagda öppningen ska vara på minst 250cm^2 som fördelas jämt mellan rummets över- och underdel. Inför installationen gör sig de nationella bestämmelserna gällande, inklusive tekniska, olycksförebyggande och brandförebyggande bestämmelser.

► **2.3.**Värmaren får enbart användas till att värma upp luft (funktionsläget för uppvärmning) eller till att sätta luft i rörelse (funktionsläget för ventilation). Inför användningen ska ni följa förekommande instruktioner noga.

► **2.4.**Tillverkaren avsäger sig allt ansvar vad gäller sakskador och/eller personskador som har uppkommit av en oriktig användning av värmaren.

► **2.5.**Värmaren får enbart försörjas med den bränslesort som uttryckligen står angiven på märkskylten med egenskaper som sitter på värmaren.

► **2.6.**Se till att ni bara ansluter värmaren till elnät som är lämpligen utrustade med differentialbrytare och ett lämpligt jordningssystem.

► **2.7.**Använd bara förlängningssladdar med lämpliga tvärsnitt och försedda med jordledare.

► **2.8.**Värmaren ska vara i funktion på ett stabilt och brandsäkert underlag med nivellerad yta så att brandfara undviks.

► **2.9.**Det är absolut förbjudet att använda värmaren i källarvåningar eller under markytan.

► **2.10.**Värmaren får inte användas i lokaler där det förekommer explosiva pulver, rök, brännbara gaser, lösningsmedel eller målarfärg.

► **2.11.**Om värmaren används i närheten av täckdukar, gardiner eller liknande täckningsmaterial är vårt råd att ni använder er av extra skydd av brandsäkert slag. Var noga med att ha ett lämpligt avstånd som aldrig får understiga 2,5m mellan antändbart material (tyg, papper, trä, osv.) eller termolabilt material (inklusive sladden till värmaren ifall befintlig) och värmarens heta delar.

► **2.12.**Placera gasbehållaren i ett skyddat läge bakom apparaten (Fig. 1). Värmaren får aldrig riktas mot gasbehållaren (Fig. 2).

► **2.13.**Av ingen anledning får ni helt eller delvis täppa till luftintaget (baksidan) och/eller mynningen till luftutloppet (framsidan) (Fig. 3). Undvik att använda vilken som helst kanalisering av luften från/till värmaren. Försäkra er om att springorna för luftugsugning som förekommer på underredets botten (för de modeller som tillämpar denna lösning) inte täpps till.

► **2.14.**Om värmaren inte sätts på eller sätts på på ett onormalt sätt ska ni rådfråga det särskilt avsedda avsnittet (Paragraf "12. DRIFTFEL, ORSAKER OCH ÅTGÄRDER")

► **2.15.**När värmaren är i funktion får den aldrig förflyttas, manipuleras eller vara föremål för något underhållsingrepp.

► **2.16.**Under samtliga användnings- eller underhållsvillkor ska ni vara noga med att gasslangen inte skadas (genom klämning, vikning, tvinning, sträckning osv.).

► **2.17.**Om ni känner av en gaslukta ska ni omedelbart stänga av värmaren och gasbehållaren, samt dra ur stickkontakten från elnätet och/eller avlägsna det återladdningsbara batteriet. Kontakta sedan teknisk support

► **2.18.**Om gasröret går sönder ska ni enbart använda slangar som lämpar sig för drifttrycket och genom att hänvisa till nationella förordningar. Gasröret ska vara 1,5m långt.

► **2.19.**När värmaren inte används ska ni dra ur stickkontakten från elnätet och/eller ta ut det återladdningsbara batteriet, samt stänga av gasförsörjningen, koppla ur gasröret från värmaren och täppa till värmarens gasintag.

► **2.20.**Minst en gång om året ska ni låta den teknisk supporten kontrollera att värmaren fungerar som den ska.

► **2.21.**Försäkra er om att värmaren är av innan ni kopplar in den elektriska stickkontakten och/eller det återladdningsbara batteriet. På så sätt förebyggs samtliga risker.

► **2.22.**Använd enbart de originella återladdningsbara batterier som uttryckligen har förutsetts. En användning av oförutsetta batterier kan föranleda till personlivsfara, eller personskada, samt till brännskada, explosion, elchock eller förgiftning.

► **2.23.**Ha ett lämpligt säkerhetsavstånd mellan det urkopplade återladdningsbara batteriet och objekt som hårspännen, mynt, nycklar, spikar, skruvar och övriga små föremål i metall som skulle kunna orsaka en eventuell

kortslutning. En eventuell kortslutning mellan det återladdningsbara batteriets kontaktytor kan föranleda till personskada eller personlivsfara, samt brännskada, explosion, elchock eller förgiftning.

► **2.24.** En felaktig användning av det återladdningsbara batteriet kan orsaka vätskeläckor från själva batteriet. Undvik absolut all kontakt vid läckage. Vid en oavsiktlig kontakt ska ni skölja noga med vatten. Sök upp en läkare direkt om vätskan råkar komma i kontakt med ögonen. Vätskan som hållts ut från det återladdningsbara batteriet kan orsaka hudirritationer eller brännsår.

► **2.25.** En felaktig användning av det återladdningsbara batteriet kan orsaka ångläckor från själva batteriet. Undvik absolut att andas in dessa ångor. Vid en oavsiktlig inandning ska ni släppa in frisk luft och låta en läkare undersöka er om ni upplever några besvär. Ångorna kan irritera luftvägarna.

► **2.26.** För att undvika allvarliga faror ska ni inte försöka öppna/demontera det återladdningsbara batteriet.

► **2.27.** För att undvika allvarliga faror ska ni skydda det återladdningsbara batteriet från värmekällor (till exempel från en kontinuerlig solbestrålning, eldlågor, vatten, fukt, osv.).

► **2.28.** Använd det särskilt avsedda återladdningsbara batteriet enbart tillsammans med denna värmare för att undvika farliga överladdningar.

► **2.29.** Använd enbart originella återladdningsbara batterier som har det spänningvärde som anges på märkskylten med värmarens tekniska data. Vid en användning av andra återladdningsbara batterier (till exempel batterikopior, regenererade batterier, batterier från konkurrenterna, osv.) föreligger det en fara för personskada och/eller explosion.

► **2.30.** Ni ska enbart ladda det återladdningsbara batteriet med hjälp av originella batteriladdare. Varje batteri behöver den särskilt avsedda batteriladdaren för att brandfara och explosionsfara ska kunna undvikas.

► **2.31.** Använd er bara av de driftlägen för elförsörjning som förutses av denna manual. För att övergå från ett driftläge till ett annat ska ni utföra avstängningssekvensen (Paragraf "9. AVSTÄNGNING"). I syfte att förebygga allvarliga skador är det förbjudet att ändra värmarens driftläge för elförsörjning under det att värmaren är i funktion.

► ► ► 3. BRÄNSLESORTER

Använd bara gaser i kategorin I₃B/P.

► ► ► 4. ARTIKELBESKRIVNING

► ► 4.1. LADDARE (om befintlig):

LADDAREN FYLLER INTE FUNKTIONEN SOM BATTERILADDARE.

(Fig. 4) Värmaren kan fungera ansluten till elnätet via en enhet som går under beteckningen laddare. Laddaren har projekterats för att vid ingången ta emot den enkelfasiga växelströmmen som tillhandahålls av elnätet, för att sedan omvandla strömmen till en likström som lämpar sig för värmarens drift. Det är nödvändigt att följa laddarens driftsparametrar (se märkskylten som sitter på laddaren). Använd laddaren i lokaler som är heltorra och skyddade från damm. Använd inte laddaren till några andra värmare än just den här. I syfte att förebygga allvarliga skador ska ni se över elkabelns skick regelbundet. Läkta samtliga varningstexter som gäller för laddaren och som återges i vederbörande manual.

► ► 4.2. BATTERI (om befintligt):

(Fig. 5) Värmaren kan fungera autonomt, utan att vara ansluten till elnätet, med hjälp av ett återladdningsbart originellt litium-jon batteri. Det återladdningsbara batteriet levereras delvis laddat. Därför rekommenderas en fullständig laddningscykel innan ni använder batteriet för första gången. Använd bara originella batterier till värmarens energiförsörjning. Läkta samtliga varningstexter som gäller för batteriet och som återges i vederbörande manual.

► ► 4.3. BATTERILADDARE (om befintlig):

(Fig. 6) Batteriladdaren har projekterats för att ladda om originella återladdningsbara batterier. Det är nödvändigt att följa batteriladdarens driftsparametrar (se märkskylten som sitter på batteriladdaren). Använd batteriladdaren i lokaler som är heltorra och skyddade från damm. Använd inte laddaren till att ladda några andra än just den här värmarens batterier. Batteriladdaren har tillverkats och förinställts för att automatiskt kunna sköta en korrekt omladdningscykel i samband med att ett återladdningsbart batteri ansluts (Fig. 7). En serie indikatorlampor som sitter på batteriladdaren förser er med en detaljerad diagnostik under batterisökningen (Fig. 8). Läkta samtliga varningsföreskrifter som gäller för batteriladdaren och som återges i vederbörande manual.

►►► 5. ANSLUTNING OCH BYTE AV GASBEHÅLLAREN

Gasbehållaren ska bytas ut utomhus och långt från värmekällor, samt i en miljö där inga eldlågor förekommer.

Till gasbehållarens anslutning till värmaren får enbart följande tillbehör användas:

- Slang till flytande gas.
- Tryckregulator för flytande gas utrustad med säkerhetsventil.

KONTROLLERA ATT GASMATARRÖRET ÄR HELT. IFALL MATARRÖRET BEHÖVER BYTAS UT SKA NI ENDAST ANVÄNDA ER AV SLANGAR SOM ÄR LÄMPADE FÖR DRIFTRYCKET OCH MED HÄNSYN TILL NATIONELLA REGELVERK.

► För att ansluta värmaren till gasbehållaren gör ni följande:

VARNING: SAMTLIGA GÄNGNINGAR ÄR VÄNSTERGÄNGNINGAR, DET VILL SÄGA ATT DE DRAS ÅT MOTURS.

► **5.1.** Skruva åt gasröret till värmarens kopplingsrör (Fig. 9).

► **5.2.** Installera tryckregulatorn ovanpå gasbehållaren. Kontrollera att en packning förekommer på regulatorn (ifall fästningstypen förtutser detta) (Fig. 10).

► **5.3.** Anslut gasslangen till tryckregulatorn (Fig. 11).

► **5.4.** Öppna gasbehållarens kran (Fig. 12).

► **5.5.** Tryck på knappen för regulatorns upplåsning (Fig. 13). **Kontrollera att kopplingsrören är täta med hjälp av tvålvatten: om bubblor uppstår tyder detta på gasläckor (Fig. 14).** Det går att sammankoppla flera gasbehållare så att en högre autonomigrad erhålls. Rätt drifttryck (se märkskylten på värmaren) tillhandahålls av regulatorn som medföljer produkten eller av en likvärdig modell.

►►► 6. ELTILLFÖRSEL

ANVÄND BARA DE DRIFTLÄGFEN FÖR STRÖMTILLFÖRSEL SOM BESKRIVS HÄR NEDAN. FÖR ATT ÖVERGÅ FRÅN ETT DRIFTLÄGE TILL ETT ANNAT SKA NI UTFÖRA AVSTÄNGNINGSSSEKVENSEN (Paragraf "9. AVSTÄNGNING"). DET ÄR FÖRBJUDET ATT ÄNDRA DRIFTLÄGE FÖR VÄRMAREN MEDAN DEN ÄR I FUNKTION.

►► 6.1. VÄRMARE SOM FÖRSÖRJS AV EN LADDARE (om befintlig):

ANSLUTNINGEN TILL ELNÄTET SKA UTFÖRAS FÖRENLIGT MED GÄLLANDE NATIONELLA BESTÄMMELSER.

Innan ni ansluter värmaren till elnätet bör ni förvissa er om följande:

► **6.1.1.** Att elnätet är försett med en differentialbrytare med ett lämpligt jordningssystem.

► **6.1.2.** Att matningsspänningen och matningsfrekvensen har rätt värden (se märkskylten som sitter på laddaren).

Anslut laddaren till värmaren (Fig. 15). Anslut sedan laddaren till elnätet (Fig. 16).

►► 6.2. VÄRMARE SOM FÖRSÖRJS AV ETT ÅTERLADDNINGSBART BATTERI (om befintligt):

ANVÄND ENBART ORIGINELLA ÅTERLADDNINGSBARA BATTERIER SOM ÄR FÖRSEDDA MED DET SPÄNNINGSVÄRDE SOM ANGES PÅ VÄRMARENS MÄRKSKYLT MED TEKNISKA SPECIFIKATIONER.

Lägg in det återladdningsbara batteriet i batterifacket som sitter under värmarens underrede (Fig. 17).

Det återladdningsbara batteriet (som beroende på modellen ingår i förpackningen och/eller finns tillgängligt som ett tillval) levereras delvis laddat. För att kunna garantera det återladdningsbara batteriets fulla kapacitet ska man vid den första användningen ladda det helt med hjälp av den originella batteriladdaren (varje batteri behöver den särskilt avsedda batteriladdaren). Det återladdningsbara batteriet är utrustat med temperaturkontrollen "NTC" som bara tillåter laddningar inom temperaturintervallet 0°C till 40°C. På så sätt kan en lång livslängd garanteras för det återladdningsbara batteriet.

►► 6.3. VÄRMARE FÖRSÖRJD AV LADDARE MED BATTERIET I (om befintligt):

Anslut laddaren till värmaren (Fig. 15). Anslut sedan laddaren till elnätet (Fig. 16) (se märkskylten som sitter på värmaren). Värmaren kopplar automatiskt ur det återladdningsbara batteriet. LADDAREN FYLLER EJ FUNKTIONEN SOM BATTERILADDARE. Därför laddas inte ett anslutet återladdningsbart batteri medan värmaren försörjs av elnätet.

►►► 7. PÅSLAGNING

►► 7.1. DRIFTLÄGET FÖR UPPVÄRMNING:

► 7.1.1. Ställ brytaren "O/I" i läget "I" (Fig. 18).

► 7.1.2. Avvakta i några sekunder.

► 7.1.3. Tryck in gasknappen hela vägen och håll kvar den intryckt (Fig. 19).

► 7.1.4. Aktivera den pizelektriska tändaren upprepade gånger och ända fram till ändläget (Fig. 20) samtidigt som ni håller gasknappen nedtryckt (Fig. 19).

► 7.1.5. När en låga har tänts ska ni hålla gasknappen intryckt under cirka 15 sek (Fig. 21).

► 7.1.6. Släpp gasknappen (Fig. 22).

Vid ett strömavbrott eller vid gasbrist kommer värmaren att stängas av. Värmarens nästa påslagning sker inte automatiskt utan måste utföras manuellt och genom att upprepa påslagningsrutinen. Om värmaren inte sätts igång ska ni rådfråga det särskilt avsedda avsnittet (Paragraf "12. DRIFTFEL, ORSAKER OCH ÅTGÄRDER").

►► 7.2. DRIFTLÄGET FÖR VENTILATION:

Värmaren kan även användas som en fläkt. Anslut värmaren till stickkontakten och/eller koppla in det återladdningsbara batteriet. Ställ sedan brytaren "O/I" på "I" (Fig. 18).

OBS: När värmaren fungerar i driftläget för uppvärmning ska ni, innan ni övergår till driftläget för ventilation, utföra en korrekt avstängningssekvens (Paragraf "9. AVSTÄNGNING").

►►► 8. REGLERING AV VÄRMEEFFEKTEN

Värmeeffekten går att reglera genom att verka på vridratten som sitter på värmarens underrede (Fig. 23).

►►► 9. AVSTÄNGNING

► 9.1. Stäng av gasbehållaren (Fig. 24).

► 9.2. Ha kvar fläkten i funktion under 60 sek för att förebygga interna skador från överhettning (intern nedsvälning värmare).

► 9.3. Ställ brytaren "O/I" på "O" (Fig. 25).

► 9.4. Koppla ur värmaren från elnätet (Fig. 26) och/eller avlägsna det återladdningsbara batteriet från elnätet eller koppla ur batteriet (Fig. 27).

► 9.5. Koppla ur värmaren från gasmatarröret (Fig. 28-29-30).

►►► 10. RENGÖRING OCH UNDERHÅLL

Minst en gång om året och/eller efter behov ska ni låta den teknisk supporten kontrollera att värmaren fungerar som den ska. Värmaren ska rengöras innan den sätts tillbaka efter att ha använts.

► 10.1. Innan vilket som helst underhåll eller vilken som helst reparation utförs på värmaren ska en avstängningssekvens utföras (Paragraf "9. AVSTÄNGNING").

► 10.2. Rengöringen avser endast värmarens luftintag (baksidan).

► 10.3. När värmaren sedan återanvänds ska man kontrollera att gasröret fortfarande är helt och om det råder några tvivel om detta ska man låta den tekniska supporten ingripa.

► 10.4. Utför inga otillåtna ingrepp.

►►► 11. FÖRVARING OCH INKOPPLING AV BATTERI

FÖRVARAOCHMAGASINERA INTE BATTERIET I LOKALER MED KALLA TEMPERATURER UNDER EN LÄNGRE TID.

De återladdningsbara litium-jon batterierna är föremål för olika lagkrav för farligt gods. De återladdningsbara batterierna får fraktas på väg av användaren utan att ytterligare försiktighetsåtgärder behöver vidtas. Vid tredjepartsfrakt (till exempel vid flygfrakt och/eller via fraktare), behöver särskilda krav uppfyllas enligt gällande bestämmelser. Återladdningsbara batterier får enbart ingå i en försändelse om batteristommen inte är skadad. Täck för otäckta kontaktytor med tejp och emballera det återladdningsbara batteriet så att det inte kan röra sig fritt inuti emballaget. Vi ber er att även iaktta eventuellt övrigt förekommande nationella bestämmelser.

►►► 12. DRIFTFEL, ORSAKER OCH ÅTGÄRDER

DRIFTFEL	ORSAKER	ÅTGÄRDER
Motorn startar inte	Spänning saknas (om försörjd av elnätet)	1.Kontrollera nätanläggningen 2.Teknisk support
	Urladdat batteri (om batteriförsörjd)	1.Ladda batteriet 2.Teknisk support
	Defekt eltillförsel eller batteri	Teknisk support
	Motorn är sönder	Teknisk support
Lågan tänds inte	Gasbehållaren är slutanvänd	Byt ut gasbehållaren (Paragraf 5)
	Säkerhetsventil för låst regulator	1.Tryck på knappen för regulatorns gasupplåsning (Fig. 13) 2.Teknisk support
	Gasbehållarens kran är avstängd	Öppna gasbehållarens kran (Fig. 12)
	Tändkretsen är defekt	Teknisk support
Lågan förblir inte tänd	Gasknappen har inte varit intryckt tillräckligt länge	Tryck på gasknappen under en längre tidsperiod (Paragraf 7.1.5.)
	Värmaren är defekt	Teknisk support
Lågan släcks under drift	Otillräcklig gastillförsel	1.Byt ut gasbehållaren (Paragraf 5) 2.Teknisk support
	Överhettning av värmaren	1.Rengör luftintaget (baksida) 2.Teknisk support
	Värmaren är defekt	Teknisk support

SPIS ROZDZIAŁÓW

1...	OPIS
2...	OSTRZEŻENIA
3...	RODZAJ PALIWA
4...	OPIS ARTYKUŁÓW
5...	PODŁĄCZANIE I WYMIANA BUTLI GAZOWEJ
6...	ZASILANIE ELEKTRYCZNE
7...	WŁĄCZANIE
8...	REGULACJA MOCY GRZEWCZEJ
9...	WYŁĄCZANIE
10...	CZYSZCZENIE I KONSERWACJA
11...	PRZECHOWYWANIE I TRANSPORT AKUMULATORA
12...	NIEPRAWIDŁOWE DZIAŁANIE, PRZYCZYNY, SPOSOBY ROZWIĄZANIA

WAŻNE: PRZED PRZYSTĄPIENIEM DO MONTAŻU, URUCHOMIENIEM LUB KONSERWACJĄ URZĄDZENIA NALEŻY PRZECZYTAĆ ZE ZROZUMIENIEM NINIEJSZĄ INSTRUKCJĘ. NIEPRAWIDŁOWE UŻYTKOWANIE MOŻE PROWADZIĆ DO POWAŻNYCH URAZÓW. NINIEJSZĄ INSTRUKCJĘ NALEŻY ZACHOWAĆ DO WYKORZYSTANIA W PRZYSZŁOŚCI.

▶▶▶ 1. OPIS

Przedstawiana tu przenośna nagrzewnica powietrza zasilana płynnym gazem, wyróżnia się pełnym wykorzystaniem paliwa, dzięki wymianie termicznej w wyniku bezpośredniego mieszania powietrza zasysanego i produktów spalania. Jest wyposażona w praktyczny uchwyt ułatwiający transport i przemieszczanie. Nagrzewnica może być zasilana ze specjalnego zasilacza lub przez system akumulatorowy. Została wykonana zgodnie z wymogami Normy EN 1596.

▶▶▶ 2. OSTRZEŻENIA

▶⚠️**WAŻNE:** Nie stosować do nagrzewania pomieszczeń i budynków mieszkalnych; w przypadku zastosowań w budynkach użyteczności publicznej należy zastosować się do rozporządzeń krajowych.

▶⚠️**WAŻNE:** Niniejsza nagrzewnica nie może być używana przez osoby (w tym dzieci) o ograniczonych zdolnościach fizycznych, sensorycznych i umysłowych lub przez osoby niedoświadczone, chyba że będą one nadzorowane przez osobę odpowiedzialną za ich bezpieczeństwo. Należy nadzorować

dzieci, aby upewnić się, że nie bawią się one nagrzewnicą. Trzymać zwierzęta w bezpiecznej odległości od nagrzewnicy.

▶⚠️**WAŻNE:** Nieprawidłowe posługiwanie się nagrzewnicą może doprowadzić do szkód lub do zagrożenia życia, zranień, oparzeń, wybuchów, wstrząsów elektrycznych lub zatrucia. Pierwsze objawy zatrucia tlenkiem węgla przypominają objawy grypy i towarzyszy im ból głowy, zawroty głowy i/lub nudności. Takie objawy mogą być spowodowane wadliwym funkcjonowaniem nagrzewnicy. W RAZIE POJAWIENIA SIĘ WYMIENIONYCH OBJAWÓW, NALEŻY NATYCHMIAST WYJŚĆ NA OTWARTĄ PRZESTRZEŃ; należy również zlecić naprawę nagrzewnicy centrum serwisowemu.

▶⚠️**WAŻNE:** Wszystkie prace związane z czyszczeniem, konserwacją i naprawami, wymagające dojeżdżania do części niebezpiecznych, muszą być przeprowadzane przez producenta, jego serwis techniczny lub przez osobę o podobnych kwalifikacjach, ponieważ pozwoli to zapobiec wszelkiemu ryzyku, nawet jeśli prace takie miałyby być wykonywane po odłączeniu urządzenia od sieci elektrycznej.

► **2.1.** Aby zapewnić prawidłową obsługę nagrzewnicy i prawidłowe przechowywanie paliwa, należy stosować się do wszystkich lokalnych rozporządzeń i obowiązujących norm.

► **2.2.** Nagrzewnica wymaga o działania prawidłowej wymiany powietrza. Dlatego należy ją stosować na otwartej przestrzeni lub w pomieszczeniach z zapewnioną ciągłą wymianą powietrza. Prawidłowe napowietrzanie jest zapewnione w sytuacji, gdy objętość pomieszczenia jest przeliczona na moc grzewczą w oparciu o wzór 1m^3 na każde 100W mocy. Objętość pomieszczenia absolutnie nie może być mniejsza niż 100m^3 . Prawidłowa wentylacja jest zapewniona przy otworze wykonanym wg wzoru 25cm^2 na kW mocy cieplnej, przy powierzchni minimalnej 250cm^2 , podzielonej równo między górną a dolną część pomieszczenia. Instalację należy przeprowadzić zgodnie z obowiązującymi normami krajowymi, z uwzględnieniem norm technicznych i zaleceń dotyczących zapobiegania nieszczęśliwym wypadkom i przepisów przeciwpożarowych.

► **2.3.** Nagrzewnica może być używana wyłącznie do nagrzewania powietrza (tryb ogrzewania) lub do przemieszczania powietrza (tryb wentylacji). Obsługując nagrzewnice należy ściśle stosować się do przedstawionych zaleceń.

► **2.4.** Producent nie ponosi odpowiedzialności za szkody na mieniu i/lub osobach, poniesionych na skutek nieprawidłowej obsługi nagrzewnicy.

► **2.5.** Nagrzewnica może być zasilana wyłącznie rodzajem paliwa wyraźnie podanym na tabliczce identyfikacyjnej, znajdującej się na nagrzewnicy.

► **2.6.** Upewnić się, że nagrzewnica została podłączona do sieci elektrycznej odpowiednio wyposażonej w wyłącznik różnicowy z odpowiednim uziemieniem.

► **2.7.** Stosować wyłącznie przedłużacze o odpowiednim przekroju, z przewodem uziemiającym.

► **2.8.** Pracująca nagrzewnica musi stać na wypoziomowanej, stabilnej i ognioodpornej powierzchni, aby nie dopuścić do ryzyka pożaru.

► **2.9.** Bezwzględnie zabrania się stosowania nagrzewnicy w piwnicach, suterrenach i pomieszczeniach pod poziomem gruntu.

► **2.10.** Nagrzewnicy nie wolno używać w pomieszczeniach, w których znajdują się wybuchowe pyły, spaliny, gazy, paliwa, rozpuszczalniki i lakiery.

► **2.11.** W przypadku używania nagrzewnicy w pobliżu namiotów, kurtyn i podobnych osłon, zalecamy używanie dodatkowych niepalnych zabezpieczeń. Należy dbać o zachowanie

odpowiedniej odległości od gorących części urządzenia, która bezwzględnie nie może być mniejsza niż 2,5m od materiałów łatwopalnych (tkaniny, papier, drewno itp.) lub nietrwałych termicznie (w tym kabel zasilacza, jeśli stanowi część wyposażenia).

► **2.12.** Ustawić butlę z gazem w bezpiecznej pozycji, za urządzeniem (Rys. 1). Nagrzewnica nigdy nie może stać skierowana w kierunku butli z gazem (Rys. 2).

► **2.13.** Zakaz zastawiania znajdującego się z tyłu wlotu powietrza oraz umiejscowionego z przodu wylotu powietrza (czy to całości, czy częściowo) (Rys. 3). Unikać używania jakichkolwiek przewodów powietrza prowadzony z nagrzewnicy lub do nagrzewnicy. Upewnić się, że nie zostały zastawione wyloty zasysania powietrza, znajdujące się na dole podstawy (w modelach, które korzystają z takiej funkcji).

► **2.14.** W razie nieudanego włączenia lub nieprawidłowego włączenia nagrzewnicy, zapoznać się z odpowiednią częścią instrukcji (Rozdział "12. NIEPRAWIDŁOWE DZIAŁANIE, PRZYCZYNY, SPOSOBY ROZWIĄZANIA").

► **2.15.** Pracująca nagrzewnica nigdy nie może być przestawiana, naruszana ani poddawana jakimkolwiek pracom konserwacyjnym.

► **2.16.** W każdych warunkach eksploatacji czy magazynowania nagrzewnicy należy zwrócić uwagę, aby wąż doprowadzający gaz nie został uszkodzony (przygnieciony, zagięty, skręcony, napięty itp.).

► **2.17.** W razie wycucia zapachu ulatniającego się gazu, należy niezwłocznie wyłączyć nagrzewnice, zakręcić butlę z gazem, odłączyć wtyczkę zasilacza od sieci i/lub wyjąć akumulator, a następnie skontaktować się z serwisem technicznym.

► **2.18.** W przypadku wymiany przewodu gazowego, należy używać wyłącznie węży dostosowanych do ciśnienia roboczego, odnosząc się do krajowych rozporządzeń. Przewód gazu musi mieć długość 1,5m.

► **2.19.** Kiedy nagrzewnica nie jest używana, należy wyjąć wtyczkę zasilacza z sieci i/lub wyjąć akumulator, zamknąć doprowadzenie gazu, odłączyć przewód gazowy od nagrzewnicy i zatkać korkiem wlot gazu do nagrzewnicy.

► **2.20.** Co najmniej raz w roku i zawsze w razie potrzeby zlecić serwisowi technicznemu kontrolę prawidłowego działania nagrzewnicy.

► **2.21.** Aby zapobiec wszelkiemu ryzyku, przed podłączeniem wtyczki elektrycznej do zasilacza i włożeniem akumulatora upewnić się, że nagrzewnica jest wyłączona.

▶ **2.22.** Używać tylko i wyłącznie oryginalnych akumulatorów, przewidzianych dokładnie do tego zastosowania. Użycie nieodpowiednich akumulatorów może doprowadzić do szkód lub do zagrożenia życia, zranień, oparzeń, wybuchów, wstrząsów elektrycznych lub zatrucia.

▶ **2.23.** Zachować odpowiednią bezpieczną odległość między odłączonym akumulatorem a spinkami, monetami, kluczami, gwoździemi, śrubami i innymi małymi metalowymi przedmiotami, które mogłyby ewentualnie doprowadzić do zwarcia. Ewentualne zwarcie między stykami akumulatora może doprowadzić do szkód lub do zagrożenia życia osób, do zranień, oparzeń, wybuchów itp.

▶ **2.24.** Nieprawidłowe zastosowanie akumulatora może doprowadzić do wycieku płynu akumulatorowego. Bezwzględnie unikać kontaktu z płynem. W razie przypadkowego kontaktu, przepłukać dokładnie wodą skażone miejsce. Niezwłocznie zwrócić się do lekarza, w przypadku przedostania się płynu do oczu. Wylany płyn akumulatorowy może doprowadzić do podrażnień skóry lub poparzeń.

▶ **2.25.** Nieprawidłowe zastosowanie akumulatora może doprowadzić do ulatniania się z niego oparów. Bezwzględnie unikać wdychania takich oparów. Doprowadzić świeże powietrze, a w przypadku przedostania się do dróg oddechowych i wystąpienia zaburzeń, zwrócić się o pomoc lekarską. Opary mogą działać drażniąco na drogi oddechowe.

▶ **2.26.** Aby uniknąć poważnego ryzyka, nie należy otwierać lub demontować akumulatora.

▶ **2.27.** Aby uniknąć poważnego ryzyka, należy chronić akumulator przed wysokimi temperaturami (np. długotrwałe promieniowanie słoneczne, płomienie, woda, wilgoć itp.).

▶ **2.28.** Używać wyłącznie akumulatorów przeznaczonych do danej nagrzewnicy, aby nie dopuścić do niebezpiecznych przeciążeń.

▶ **2.29.** Używać wyłącznie oryginalnych akumulatorów o napięciu podanym na tabliczce danych technicznych nagrzewnicy. W przypadku zastosowania innych akumulatorów (na przykład podróbek, akumulatorów po regeneracji, akumulatorów konkurencji itp.) istnienie niebezpieczeństwa zranienia i/lub wybuchu.

▶ **2.30.** Akumulator może być ładowany wyłącznie przy pomocy oryginalnych ładowarek. Każdy akumulator wymaga zastosowania odpowiedniej ładowarki, aby nie dopuścić do ryzyka pożaru lub wybuchu.

▶ **2.31.** Stosować wyłącznie sposobów zasilania elektrycznego określonych w niniejszej

instrukcji. Aby zmienić sposób zasilania, należy przeprowadzić procedurę wyłączenia (Rozdział "9. WYŁĄCZANIE"). Zakaz zmiany rodzaju zasilania w czasie pracy nagrzewnicy, ponieważ może to doprowadzić do poważnych szkód.

▶▶▶ 3. RODZAJ PALIWA

Używać wyłącznie gazu kategorii I₃B/P.

▶▶▶ 4. OPIS ARTYKUŁÓW

▶▶ 4.1. ZASILACZ (jeśli stanowi część wyposażenia):

ZASILACZ NIE PEŁNI FUNKCJI ŁADOWARKI.

(Rys. 4) Nagrzewnica może działać po podłączeniu do sieci elektrycznej przy użyciu zasilacza. Zasilacz został zaprojektowany do przyjmowania na wejściu prądu zmiennego jednofazowego, doprowadzonego z sieci i jego zmiany na wyjściu w prąd stały, dostosowany do działania nagrzewnicy. Należy przestrzegać parametrów działania zasilacza (patrz tabliczka z danymi na zasilaczu). Używać zasilacza w miejscach całkowicie suchych i zabezpieczonych przed kurzem oraz wyłącznie do zasilania tej nagrzewnicy. Okresowo sprawdzić stan kabla zasilającego, aby nie dopuścić do poważnych uszkodzeń. Zastosować się do wszystkich ostrzeżeń podanych dla zasilacza w niniejszej instrukcji.

▶▶ 4.2. AKUMULATOR (jeśli stanowi część wyposażenia):

(Rys. 5) Nagrzewnica może działać w sposób autonomiczny, przy zastosowaniu oryginalnego akumulatora Li-ion, bez konieczności podłączania w takim przypadku do sieci elektrycznej. Akumulator jest dostarczany częściowo naładowany i dlatego zalecamy jego pełne naładowanie przed użyciem. Do zasilania nagrzewnicy używać wyłącznie oryginalnych akumulatorów. Zastosować się do wszystkich ostrzeżeń podanych w niniejszej instrukcji dla akumulatora.

▶▶ 4.3. ŁADOWARKA (jeśli stanowi część wyposażenia):

(Rys. 6) Ładowarka została zaprojektowana do ładowania oryginalnych akumulatorów. Należy przestrzegać parametrów działania ładowarki (patrz tabliczka z danymi na ładowarce). Używać ładowarki w miejscach całkowicie suchych i zabezpieczonych przed kurzem, wyłącznie do ładowania oryginalnych akumulatorów, stosowanych do zasilania tej nagrzewnicy.

Ładowarka jest gotowa do automatycznej obsługi prawidłowego cyklu ładowania po podłączeniu akumulatora (Rys. 7). Szereg wskaźników świetlnych, znajdujących się na ładowarce, ułatwia szczegółową diagnostykę w czasie ładowania akumulatora (Rys. 8). Zastosować się do wszystkich ostrzeżeń podanych w niniejszej instrukcji dla ładowarki.

▶▶▶ 5. PODŁĄCZANIE I WYMIANA BUTLI GAZOWEJ

Butlę z gazem należy wypełniać na świeżym powietrzu, z daleka od źródeł ciepła, w otoczeniu bez płomieni.

Aby podłączyć butlę z gazem do nagrzewnicy, należy używać wyłącznie następujących akcesoriów:

- Wąż do gazu ciekłego.
- Regulator ciśnienia do gazu ciekłego z zaworem bezpieczeństwa.

SPRAWDZIĆ STAN PRZEWODU DOPROWADZENIA GAZU. W RAZIE KONIECZNOŚCI JEGO WYMIANY, NALEŻY UŻYWAĆ WYŁĄCZNIE WĘŻY DOSTOSOWANYCH DO CIŚNIENIA ROBOCZEGO, STOSUJĄC SIĘ DO PRZEPISÓW KRAJOWYCH.

▶ Aby podłączyć nagrzewnicę do butli z gazem:
UWAGA: WSZYSTKIE GWINTY SĄ LEWE, CZYLI NALEŻY JE DOKRĘCAĆ W KIERUNKU PRZECIWNYM DO RUCHU WSKAZÓWEK ZEGARA.

▶ 5.1. Przykręcić przewód gazu do złączki nagrzewnicy (Rys. 9).

▶ 5.2. Zainstalować regulator ciśnienia na butli z gazem. Upewnić się, że na regulatorze znajduje się uszczelka (jeśli rodzaj złącza wymaga jej użycia) (Rys. 10).

▶ 5.3. Podłączyć przewód gazu do regulatora ciśnienia (Rys. 11).

▶ 5.4. Odkręcić kurek butli z gazem (Rys. 12).

▶ 5.5. Nacisnąć przycisk zwolnienia blokady regulatora (Rys. 13). **Sprawdzić szczelność złączy przy użyciu wody z mydłem: pojawienie się baniek sygnalizuje występowanie nieszczelności (Rys. 14).** Istnieje możliwość łączenia ze sobą kilku butli z gazem, aby otrzymać większą autonomię. Utrzymanie prawidłowego ciśnienia roboczego (patrz tabliczka z danymi na nagrzewnicy) jest możliwe dzięki zastosowaniu regulatora dołączonego do zestawu lub równoważnego modelu.

▶▶▶ 6. ZASILANIE ELEKTRYCZNE STOSOWAĆ WYŁĄCZNIE SPOSOBY ZASILANIA WSKAZANE W INSTRUKCJI. ABY ZMIENIĆ TRYB DZIAŁANIA, NALEŻY PRZEPROWADZIĆ PROCEDURE WYŁĄCZANIA (Rozdział "9. WYŁĄCZANIE"). ZAKAZ ZMIANY TRYBU DZIAŁANIA NA PRACUJĄCEJ NAGRZEWNICY.

▶▶ 6.1. NAGRZEWNICA ZASILANA ZASILACZEM (jeśli stanowi część wyposażenia):

PODŁĄCZENIE DO SIECI ELEKTRYCZNEJ MUSI BYĆ ZGODNE Z OBOWIĄZUJĄCYMI PRZEPISAMI KRAJOWYMI.

Przed podłączeniem zasilacza nagrzewnicy do sieci elektrycznej, upewnić się, że:

▶ 6.1.1. Sieć elektryczna jest wyposażona w wyłącznik różnicowy i odpowiednie uziemienie.

▶ 6.1.2. Napięcie i częstotliwość zasilania są prawidłowe (patrz tabliczka z danymi na zasilaczu). Podłączyć zasilacz do nagrzewnicy (Rys. 15), a następnie podłączyć zasilacz do sieci elektrycznej (Rys. 16).

▶▶ 6.2. NAGRZEWNICA ZASILANA AKUMULATOREM (jeśli stanowi część wyposażenia):

UŻYWAĆ WYŁĄCZNIE ORYGINALNYCH AKUMULATORÓW O NAPIĘCIU PODANYM NA TABLICZCE DANYCH TECHNICZNYCH NAGRZEWNICY.

Włożyć akumulator do komory akumulatorowej, znajdującej się pod podstawą nagrzewnicy (Rys. 17).

Akumulator (dostarczany w zestawie i/lub opcjonalnie, w zależności od modelu) jest częściowo naładowany. Aby zapewnić moc akumulatora, przed jego zastosowaniem należy go w pełni naładować przy użyciu oryginalnej ładowarki (każdy akumulator wymaga zastosowania odpowiedniej ładowarki). Akumulator jest wyposażony w czujnik temperatury "NTC", umożliwiający ładowanie wyłącznie w zakresie temperatur od 0°C do 40°C. W ten sposób uzyskuje się dużą trwałość akumulatora.

▶▶ 6.3. NAGRZEWNICA ZASILANA ZASILACZEM Z WŁOŻONYM AKUMULATOREM (jeśli stanowi część wyposażenia):

Podłączyć zasilacz do nagrzewnicy (Rys. 15), a następnie podłączyć zasilacz do sieci elektrycznej (Rys. 16) (patrz tabliczka z danymi na nagrzewnicy). Nagrzewnica automatycznie odłącza akumulator. **ZASILACZ NIE PEŁNI FUNKCJI ŁADOWARKI,**

dlatego w przypadku zasilania nagrzewnicy prądem z sieci elektrycznej, akumulator nie jest ładowany.

▶▶▶ 7. WŁĄCZANIE

▶▶ 7.1. TRYB NAGRZEWANIA:

▶ 7.1.1. Ustawić wyłącznik "O/I" do pozycji "I" (Rys. 18).

▶ 7.1.2. Zaczekać kilka sekund.

▶ 7.1.3. Nacisnąć przycisk gazu i przytrzymać wciśnięty (Rys. 19).

▶ 7.1.4. Wcisnąć do końca, kilka razy włącznik piezoelektryczny (Rys. 20), trzymając wciśnięty przycisk gazu (Rys. 19).

▶ 7.1.5. Po zapaleniu się płomienia, przytrzymać przycisk gazu wciśnięty przez około 15 s (Rys. 21).

pl ▶ 7.1.6. Zwolnić przycisk gazu (Rys. 22).

W przypadku przerwy w dostawie energii elektrycznej lub w razie braku gazu, nagrzewnica wyłącza się. Ponowne włączenie nagrzewnicy nie następuje automatycznie, należy wykonać to ręcznie, powtarzając procedurę włączania. Jeśli nagrzewnica nie włącza się, zapoznać się z odpowiednim (Rozdział "12. NIEPRAWIDŁOWE DZIAŁANIE, PRZYCZYNY, SPOSOBY ROZWIĄZANIA").

▶▶ 7.2. TRYB WENTYLACJI:

Nagrzewnica może być również używana jako wentylator. Podłączyć wentylator do wtyczki elektrycznej i/lub włożyć akumulator i ustawić wyłącznik "O/I" na pozycji "I" (Rys. 18).

Pamiętaj: Kiedy nagrzewnica działa w trybie ogrzewania, przed przejściem na tryb wentylacji należy prawidłowo przeprowadzić procedurę wyłączenia (Rozdział "9. WYŁĄCZANIE").

▶▶▶ 8. REGULACJA MOCY GRZEWOCZEJ

Moc grzewcza może być regulowana przy użyciu pokrętki w podstawie nagrzewnicy (Rys. 23).

▶▶▶ 9. WYŁĄCZANIE

▶ 9.1. Zakręcić butlę z gazem (Rys. 24).

▶ 9.2. Pozostawić działający wentylator przez około 60 s, aby uniknąć wewnętrznego uszkodzenia na skutek przegrzania (wewnętrzne chłodzenie nagrzewnicy).

▶ 9.3. Ustawić wyłącznik "O/I" do pozycji "O" (Rys. 25).

▶ 9.4. Odłączyć nagrzewnicę od sieci (Rys. 26) i/lub wyjąć akumulator (Rys. 27).

▶ 9.5. Odłączyć nagrzewnicę od przewodu doprowadzającego gaz (Rys. 28-29-30).

▶▶▶ 10. CZYSZCZENIE I KONSERWACJA

Co najmniej raz w roku i zawsze w razie potrzeby zlecić serwisowi technicznemu kontrolę prawidłowego działania nagrzewnicy. Przed ponownym użyciem należy wyczyścić nagrzewnicę.

▶ 10.1. Przed rozpoczęciem jakichkolwiek prac konserwacyjnych, serwisowych czy napraw nagrzewnicy, należy przeprowadzić procedurę wyłączenia (Rozdział "9. WYŁĄCZANIE").

▶ 10.2. Czyszczenie dotyczy wyłącznie wlotu powietrza (tył) w nagrzewnicy.

▶ 10.3. Przy ponownym użyciu nagrzewnicy należy sprawdzić stan przewodu gazowego, a w razie wątpliwości skontaktować się z serwisem technicznym.

▶ 10.4. Nie wykonywać prac bez upoważnienia.

▶▶▶ 11. PRZECHOWYWANIE I TRANSPORT AKUMULATORA

NIE PRZECHOWYWAĆ I NIE MAGAZYNOWAĆ ZBYT DŁUGO AKUMULATORA W MIEJSCACH O NISKIEJ TEMPERATURZE.

Akumulatory Li-ion podlegają regulacjom określonym przez przepisy o materiałach niebezpiecznych. Akumulatory mogą być transportowane przez użytkownika po drogach publicznych bez dodatkowych środków ostrożności. W przypadku wysyłki powierzanej pośrednikom (na przykład transport powietrzny i/lub kurierzy), należy przestrzegać specjalnych wymogów określonych odrębnymi przepisami. Akumulatory można wysyłać wyłącznie w nieuszkodzonej obudowie. Zasłonić taśmą klejącą odkryte styki i zapakować akumulator w taki sposób, aby nie przemieszczał się w opakowaniu. Prosimy o stosowanie się do ewentualnych dodatkowych norm krajowych.

▶▶▶ 12. NIEPRAWIDŁOWE DZIAŁANIE, PRZYCZYNY, SPOSOBY ROZWIĄZANIA

NIEPRAWIDŁOWE DZIAŁANIE	PRZYCZYNY	SPOSÓB ROZWIĄZANIA
Silnik nie uruchamia się	Brak napięcia (w przypadku zasilania z sieci)	1.Sprawdzić instalację sieci 2. Serwis Techniczny
	Rozładowany akumulator (w przypadku zasilania z akumulatora)	1.Naładować akumulator 2.Serwis Techniczny
	Wadliwe zasilanie albo akumulator	Serwis Techniczny
	Uszkodzony Silnik	Serwis Techniczny
Płomień nie zapala się	Pusta butla z gazem	Wymienić butlę z gazem (Rozdział 5)
	Zawór bezpieczeństwa regulatora jest zablokowany	1.Nacisnąć przycisk zwolnienia blokady gazu w regulatorze (Rys. 13) 2.Serwis Techniczny
	Zakręcony w kurek butli z gazem	Odkręcić kurek butli z gazem (Rys. 12)
	Wadliwy obwód włączania	Serwis Techniczny
Płomień nie utrzymuje się	Przycisk gazu wciśnięty przez niewystarczający czas	Nacisnąć dłużej przycisk gazu (Rozdział 7.1.5.)
	Uszkodzona nagrzewnica	Serwis Techniczny
Gaśnięcie płomienia w czasie działania	Niewystarczające doprowadzenie gazu	1.Wymienić butlę z gazem (Rozdział 5) 2.Serwis Techniczny
	Przegrzanie nagrzewnicy	1.Wyczyścić wlot powietrza (tył) 2.Serwis Techniczny
	Uszkodzona nagrzewnica	Serwis Techniczny

СОДЕРЖАНИЕ ПАРАГРАФОВ

1...	ОПИСАНИЕ
2...	ПРЕДУПРЕЖДЕНИЯ
3...	ТИП ТОПЛИВА
4...	ОПИСАНИЕ ИЗДЕЛИЙ
5...	СОЕДИНЕНИЯ И ЗАМЕНА ГАЗОВОГО БАЛЛОНА
6...	ЭЛЕКТРОПИТАНИЕ
7...	ВКЛЮЧЕНИЕ
8...	РЕГУЛИРОВКА ТЕПЛОВОЙ МОЩНОСТИ
9...	ВЫКЛЮЧЕНИЕ
10...	ОЧИСТКА И УХОД
11...	ХРАНЕНИЕ И ТРАНСПОРТИРОВКА АККУМУЛЯТОРА
12...	НЕИСПРАВНОСТИ, ПРИЧИНЫ И СПОСОБЫ ИХ УСТРАНЕНИЯ

ВАЖНО: ПЕРЕД НАЧАЛОМ МОНТАЖА, ЗАПУСКА ИЛИ РАБОТ ПО ТЕХОБСЛУЖИВАНИЮ ПРИБОРА СЛЕДУЕТ ВНИМАТЕЛЬНО ОЗНАКОМИТЬСЯ С ДАННОЙ ИНСТРУКЦИЕЙ. НЕПРАВИЛЬНАЯ ЭКСПЛУАТАЦИЯ МОЖЕТ СТАТЬ ПРИЧИНОЙ СЕРЬЕЗНЫХ ТЕЛЕСНЫХ ПОВРЕЖДЕНИЙ. ДАННУЮ ИНСТРУКЦИЮ СЛЕДУЕТ СОХРАНИТЬ С ЦЕЛЬЮ ИСПОЛЬЗОВАНИЯ В БУДУЩЕМ.

▶▶▶ 1. ОПИСАНИЕ

Это портативный обогреватель, работающий на сжиженном газе, характеризующийся полным использованием теплотворной способности топлива, благодаря теплообмену, происходящему при прямом смешивании всасываемого воздуха и продуктов сгорания. Он оснащен практичной ручкой для облегчения его транспортировки. Питание на данный обогреватель может подаваться от специального источника питания или же от системы перезаряжаемых аккумуляторов. Выполнен в соответствии с требованиями стандарта EN 1596.

▶▶▶ 2. ПРЕДУПРЕЖДЕНИЯ

▶ **⚠ВАЖНО:** Не использовать для отопления помещений в жилых зданиях; для использования в зданиях общественного назначения придерживаться соответствующих государственных норм.

▶ **⚠ВАЖНО:** Не допускается эксплуатация обогревателя лицами (включая детей) с ограниченными физическими, сенсорными, умственными способностями. Не допускается эксплуатация обогревателя лицами, не обладающими достаточным опытом и знаниями, если они действуют без присмотра лица, отвечающего за их безопасность. Не оставлять детей без присмотра и не разрешать

им играть с обогревателем. Животные должны находиться на безопасном расстоянии от обогревателя.

▶ **⚠ВАЖНО:** Использование обогревателя не по назначению может стать причиной нанесения ущерба, поставить под угрозу жизнь людей, привести к травмам, ожогам, взрывам, поражению электрическим током или отравлению. Первые симптомы отравления угарным газом напоминают грипп: головные боли, головокружение и/или тошнота. Эти симптомы могут быть вызваны сбоем в работе обогревателя. В СЛУЧАЕ ПОЯВЛЕНИЯ ДАННЫХ СИМПТОМОВ НЕМЕДЛЕННО ВЫЙТИ НА ОТКРЫТЫЙ ВОЗДУХ, также следует обратиться в технический сервисный центр для проведения ремонта обогревателя.

▶ **⚠ВАЖНО:** Все работы по очистке, техобслуживанию и ремонту, которые предполагают доступ к опасным частям, должен выполнять изготовитель, его центр сервисного обслуживания или работники со схожей квалификацией, чтобы предотвратить любые риски, даже если предусмотрено отсоединение от сети питания.

▶ 2.1. Для правильной эксплуатации обогревателя и хранения топлива необходимо придерживаться всех местных положений и действующих норм.

► **2.2.** Для работы обогреватель нуждается в большом количестве воздуха. Поэтому следует его использовать на открытом воздухе или в помещениях, где обеспечен непрерывно действующий воздухообмен. Хороший воздухообмен обеспечивается в помещениях, когда объем комнаты рассчитан на тепловую мощность по формуле 1 м^3 на каждые 100Вт мощности. Ни в коем случае объем помещения не должен быть меньше 100 м^3 . Хорошую вентиляцию обеспечивает проем, рассчитанный по формуле 25 см^2 на 1кВт тепловой мощности, с минимальным значением, равным 250 см^2 , поровну разделенный между верхней и нижней частями комнаты. Для установки следует придерживаться действующих государственных норм, включая технические нормы, положения техники безопасности и правила предотвращения пожаров.

► **2.3.** Обогреватель можно использовать исключительно для нагрева воздуха (режим отопления) или для смешивания воздуха (режим вентиляции). При использовании следует строго придерживаться настоящих инструкций.

► **2.4.** Изготовитель снимает с себя всякую ответственность за ущерб, нанесенный имуществу и/или людям в результате использования обогревателя не по назначению.

► **2.5.** Для работы обогревателя использовать только тип топлива, указанный на табличке, установленной на обогревателе.

► **2.6.** Убедиться, что обогреватель подключается к сети электропитания, оснащенной дифференциальным выключателем с подходящей системой заземления.

► **2.7.** Использовать только удлинители подходящего сечения с заземляющим проводом.

► **2.8.** Обогреватель должен работать на выровненной устойчивой огнеупорной поверхности во избежание опасности пожара.

► **2.9.** Строжайше запрещено использовать обогреватель в полуподвальных помещениях или помещениях, находящихся ниже уровня земли.

► **2.10.** Обогреватель нельзя использовать в помещениях с взрывоопасной пылью, дымами, газами, топливом, растворителями, лакокрасочными материалами.

► **2.11.** Если обогреватель используется вблизи с тентами, занавесами или схожими материалами, рекомендуется использовать дополнительные огнестойкие покрытия. Всегда необходимо поддерживать горячие части обогревателя на подходящем расстоянии, которое ни в коем случае не должно быть меньше $2,5\text{ м}$ от воспламеняющихся материалов (ткань, бумага, древесина и т.п.) или материалов, разлагающихся под воздействием тепла (включая кабель блока питания, при его наличии).

► **2.12.** Разместить газовый баллон в защищенном месте, позади прибора (Рис. 1). Обогреватель

никогда нельзя направлять на газовый баллон (Рис. 2).

► **2.13.** Ни по какой причине нельзя полностью или частично закрывать воздухозаборное отверстие (с задней стороны) и/или патрубок выхода воздуха (с передней стороны) (Рис. 3). Следует избегать использования любых приспособлений для направления воздуха из/в обогреватель. Убедиться, что всасывающие отверстия на дне основания не закрыты (для моделей, на которых используется это решение).

► **2.14.** Если не получается включить обогреватель или при включении наблюдаются аномалии, см. специальный раздел (Пар. "12. НЕИСПРАВНОСТИ, ПРИЧИНЫ И СПОСОБЫ ИХ УСТРАНЕНИЯ").

► **2.15.** Никогда нельзя передвигать обогреватель или выполнять любые работы по обслуживанию обогревателя во время его работы.

► **2.16.** В любой ситуации, во время работы или во время простоя обогревателя, необходимо проявлять осторожность, чтобы не повредить гибкую газовую трубу (сдавливание, сгибание, скручивание, натяжение и т.д.).

► **2.17.** Если чувствуется запах газа, необходимо немедленно выключить обогреватель, закрыть газовый баллон, отсоединить вилку блока питания от сети электропитания и/или отсоединить перезаряжаемый аккумулятор, после чего обратиться с центр сервисного обслуживания.

► **2.18.** В случае замены газовой трубы, следует использовать только гибкие трубы, подходящие для определенного рабочего давления, придерживаясь государственных норм. Газовая труба должна иметь длину $1,5\text{ м}$.

► **2.19.** Когда обогреватель не используется, нужно отсоединить вилку блока питания от сети электропитания и/или отсоединить перезаряжаемый аккумулятор, перекрыть подачу газа, отсоединить газовую трубу от обогревателя и закрыть пробкой вход газа на обогревателе.

► **2.20.** Не менее одного раза в год и/или по необходимости поручать центру сервисного обслуживания произвести техосмотр на предмет правильной работы обогревателя.

► **2.21.** Убедиться, что обогреватель выключен, прежде чем вставлять вилку блока питания и/или подсоединять перезаряжаемый аккумулятор, во избежание любого рода опасности.

► **2.22.** Использовать исключительно оригинальные предусмотренные перезаряжаемые аккумуляторы. Использование перезаряжаемых аккумуляторов не по назначению может стать причиной нанесения ущерба, поставить под угрозу жизнь людей, привести к травмам, ожогам, взрывам, поражению электрическим током или отравлению.

► **2.23.** Всегда необходимо поддерживать подходящее безопасное расстояние между отсоединенным перезаряжаемым аккумулятором и заколками, монетами, ключами, гвоздями,

винтами и другими мелкими металлическими предметами, которые могут спровоцировать короткое замыкание. Короткое замыкание контактов перезаряжаемого аккумулятора может нанести ущерб, поставить под угрозу жизнь и безопасность людей, привести к травмам, ожогам, взрывам и т.п.

► **2.24.** Неправильное использование перезаряжаемого аккумулятора может привести к утечке жидкости из аккумулятора. Ни в коем случае не притрагиваться к ней. При случайном контакте тщательно смыть водой. Незамедлительно обратиться к врачу, если жидкость попадает в глаза. Вытекшая из перезаряжаемого аккумулятора жидкость может привести к раздражению кожи или ожогам.

► **2.25.** Неправильное использование перезаряжаемого аккумулятора может привести к выходу паров из аккумулятора. Ни в коем случае не вдыхать эти пары. Проветрить помещение и, при случайном вдыхании паров, обратиться к врачу в случае появления каких-либо симптомов. Пары могут вызвать раздражение дыхательных путей.

► **2.26.** Нельзя пытаться открыть/демонтировать перезаряжаемый аккумулятор во избежание серьезной опасности.

► **2.27.** Во избежание серьезной опасности необходимо защитить перезаряжаемый аккумулятор от воздействия тепла (например, постоянное солнечное излучение, огонь), воды влажности и т.д..

► **2.28.** Использовать определенный перезаряжаемый аккумулятор исключительно с настоящим обогревателем, чтобы избежать опасных перегрузок.

► **2.29.** Использовать исключительно оригинальные перезаряжаемые аккумуляторы с напряжением, указанным на табличке технических данных обогревателя. В случае использования других перезаряжаемых аккумуляторов (например, подделки, регенерированные аккумуляторные батареи, аккумуляторы конкурентных компаний и т.д.) существует опасность травмирования и/или взрыва.

► **2.30.** Заряжать перезаряжаемый аккумулятор исключительно посредством оригинального зарядного устройства. Каждый аккумулятор нуждается в специальном зарядном устройстве, во избежание риска пожара и взрыва.

► **2.31.** Использовать только режимы питания электроэнергией, предусмотренные в настоящем руководстве. Чтобы перейти от одного режима к другому, выполнить последовательность действий, необходимых для выключения (Пар. "9. ВЫКЛЮЧЕНИЕ"). Запрещается менять режим питания при работающем обогревателе, во избежание нанесения серьезного ущерба.

►►► 3. ТИП ТОПЛИВА

Использовать только газ категории I₃B/P.

►►► 4. ОПИСАНИЕ ИЗДЕЛИЙ

►► 4.1. БЛОК ПИТАНИЯ (при наличии):

БЛОК ПИТАНИЯ НЕ ВЫПОЛНЯЕТ ФУНКЦИЮ ЗАРЯДНОГО УСТРОЙСТВА.

(Рис. 4) Обогреватель может работать от сети электропитания через устройство, именуемое блок питания. Блок питания спроектирован для входа переменного однофазного тока, поставляемого от сети, и его преобразования на выходе в постоянный ток, подходящий для обогревателя. Необходимо соблюдать рабочие параметры блока питания (см. табличку данных на блоке питания). Использовать блок питания в совершенно сухих местах, защищенных от пыли, для подачи питания только на данный обогреватель. Периодически проверять состояние кабеля блока питания, во избежание серьезных повреждений. Соблюдать все меры предосторожности, касающиеся блока питания, приведенные в настоящем руководстве.

►► 4.2. АККУМУЛЯТОР (при наличии):

(Рис. 5) Обогреватель может работать с использованием оригинального перезаряжаемого литиевого аккумулятора, без необходимости подключения к сети электропитания. Перезаряжаемый аккумулятор поставляется частично заряженным, поэтому перед использованием аккумулятора рекомендуется полностью зарядить его. Использовать только оригинальные аккумуляторы для подачи питания на обогреватель. Соблюдать все меры предосторожности, касающиеся аккумулятора, приведенные в настоящем руководстве.

►► 4.3. ЗАРЯДНОЕ УСТРОЙСТВО (при наличии):

(Рис. 6) Зарядное устройство разработано для зарядки оригинальных перезаряжаемых аккумуляторов. Необходимо соблюдать рабочие параметры зарядного устройства (см. табличку данных на зарядном устройстве). Использовать зарядное устройство в совершенно сухих местах, защищенных от пыли, для зарядки исключительно оригинальных перезаряжаемых аккумуляторов, используемых для подачи питания на данный обогреватель. Зарядное устройство предназначено для автоматического правильного цикла зарядки при подсоединении перезаряжаемого аккумулятора (Рис. 7). Ряд световых индикаторов, расположенных на зарядном устройстве, позволяет располагать детальной информацией на стадии зарядки аккумулятора (Рис. 8). Соблюдать все меры предосторожности, касающиеся зарядного устройства, приведенные в настоящем руководстве.

▶▶▶ 5. СОЕДИНЕНИЯ И ЗАМЕНА ГАЗОВОГО БАЛЛОНА

Газовый баллон необходимо заменять на новый на открытом воздухе, вдали от источников тепла, в среде без открытого огня.

Для подсоединения газового баллона к обогревателю необходимо использовать только следующие комплектующие:

- Гибкая труба для сжиженного газа.
 - Регулятор давления для сжиженного газа, укомплектованный предохранительным клапаном.
- ПРОВЕРИТЬ ЦЕЛОСТНОСТЬ ГАЗОВОЙ ПОДАЮЩЕЙ ТРУБЫ. В СЛУЧАЕ НЕОБХОДИМОСТИ ЗАМЕНИТЬ ЕЕ, ИСПОЛЬЗОВАТЬ ТОЛЬКО ГИБКИЕ ТРУБЫ, ПОДХОДЯЩИЕ ДЛЯ ОПРЕДЕЛЕННОГО РАБОЧЕГО ДАВЛЕНИЯ, В СООТВЕТСТВИИ С ТРЕБОВАНИЯМИ ГОСУДАРСТВЕННЫХ НОРМ.**

▶ Чтобы подсоединить газовый баллон к обогревателю:

ВНИМАНИЕ: ВСЕ РЕЗЬБОВЫЕ СОЕДИНЕНИЯ ВЫПОЛНЕНЫ С ЛЕВОЙ НАРЕЗКОЙ, ТО ЕСТЬ ОНИ ЗАТЯГИВАЮТСЯ ПРОТИВ ЧАСОВОЙ СТРЕЛКИ.

▶ **5.1.** Привинтить газовую трубу к патрубку обогревателя (Рис. 9).

▶ **5.2.** Установить на газовый баллон регулятор давления. Убедиться, что на регуляторе имеется уплотнение (если это предусмотрено типом крепления) (Рис. 10).

▶ **5.3.** Подсоединить к регулятору давления газовую трубу (Рис. 11).

▶ **5.4.** Открыть кран газового баллона (Рис. 12).

▶ **5.5.** Нажать кнопку разблокировки регулятора (Рис. 13). **Проверить герметичность соединений, используя мыльный раствор: появление пузырей будет означать возможную утечку газа (Рис. 14).** Можно соединить между собой несколько газовых баллонов для увеличения продолжительности работы. Правильное рабочее давление (см. таблицу с данными на обогревателе) обеспечивается поставляемым в комплекте регулятором или регулятором равнозначной модели.

▶▶▶ 6. ЭЛЕКТРОПИТАНИЕ

ИСПОЛЬЗОВАТЬ ТОЛЬКО ОПИСАННЫЕ ДАЛЕЕ СПОСОБЫ ПИТАНИЯ ЭЛЕКТРОЭНЕРГИЕЙ ЧТОБЫ ПЕРЕЙТИ ОТ ОДНОГО РЕЖИМА К ДРУГОМУ, ВЫПОЛНИТЬ ПОСЛЕДОВАТЕЛЬНОСТЬ ДЕЙСТВИЙ, НЕОБХОДИМЫХ ДЛЯ ВЫКЛЮЧЕНИЯ (Пар. "9. ВЫКЛЮЧЕНИЕ"). ЗАПРЕЩАЕТСЯ МЕНЯТЬ РЕЖИМ ПИТАНИЯ ВО ВРЕМЯ РАБОТЫ ОБОГРЕВАТЕЛЯ.

▶▶ 6.1. ОБОГРЕВАТЕЛЬ С ПИТАНИЕМ ОТ БЛОКА ПИТАНИЯ (при наличии):

ПОДКЛЮЧЕНИЕ К СЕТИ ЭЛЕКТРОПИТАНИЯ ВЫПОЛНЯЕТСЯ В СООТВЕТСТВИИ С ДЕЙСТВУЮЩИМИ НАЦИОНАЛЬНЫМИ СТАНДАРТАМИ.

Прежде чем подсоединять обогреватель к сети электропитания, необходимо убедиться в следующем:

▶ **6.1.1.** Сеть электропитания оснащена дифференциальным выключателем и подходящей системой заземления.

▶ **6.1.2.** Напряжение и частота тока в сети соответствуют нужным (см. таблицу с техническими данными, установленную на блок питания).

Подсоединить блок питания к обогревателю (Рис. 15), затем подключить блок питания к сети электропитания (Рис. 16).

▶▶ 6.2. ОБОГРЕВАТЕЛЬ С ПИТАНИЕМ ОТ ПЕРЕЗАРЯЖАЕМОГО АККУМУЛЯТОРА (при наличии):

ИСПОЛЬЗОВАТЬ ИСКЛЮЧИТЕЛЬНО ОРИГИНАЛЬНЫЕ ПЕРЕЗАРЯЖАЕМЫЕ АККУМУЛЯТОРЫ С НАПРЯЖЕНИЕМ, УКАЗАННЫМ НА ТАБЛИЧКЕ ТЕХНИЧЕСКИХ ДАННЫХ ОБОГРЕВАТЕЛЯ.

Вставить перезаряжаемый аккумулятор в отсек для аккумуляторных батарей, под основанием обогревателя (Рис. 17).

Перезаряжаемый аккумулятор (поставляемый в упаковке, и/или факультативный, в зависимости от модели) поставляется частично заряженным. Чтобы обеспечить полную мощность перезаряжаемого аккумулятора, перед первым использованием необходимо полностью зарядить перезаряжаемый аккумулятор, пользуясь оригинальным зарядным устройством (каждый аккумулятор нуждается в соответствующем зарядном устройстве). Перезаряжаемый аккумулятор оснащен устройством контроля температуры "NTC", позволяющим производить зарядку исключительно при температуре от 0°C и 40°C. Таким образом достигается большая продолжительность действия перезаряжаемого аккумулятора.

▶▶ 6.3. ОБОГРЕВАТЕЛЬ С ПИТАНИЕМ ОТ БЛОКА ПИТАНИЯ СО ВСТАВЛЕННЫМ АККУМУЛЯТОРОМ (при наличии):

Подсоединить блок питания к обогревателю (Рис. 15), затем подключить блок питания к сети электропитания (Рис. 16) (см. таблицу данных, установленную на обогревателе). Обогреватель автоматически исключает использование перезаряжаемого аккумулятора. **БЛОК ПИТАНИЯ НЕ ВЫПОЛНЯЕТ ФУНКЦИЮ ЗАРЯДНОГО УСТРОЙСТВА**, поэтому, когда на обогреватель

поступает питание от сети электропитания, перезаряжаемый аккумулятор не заряжается.

▶▶▶ 7. ВКЛЮЧЕНИЕ

▶▶ 7.1. РЕЖИМ ОТОПЛЕНИЯ:

▶ 7.1.1. Перевести переключатель “O/I” в положение “I” (Рис. 18).

▶ 7.1.2. Выждать несколько секунд.

▶ 7.1.3. Нажать кнопку подачи газа до упора и удерживать ее нажатой (Рис. 19).

▶ 7.1.4. Нажать до упора несколько раз пьезоэлектрический зажигатель (Рис. 20), удерживая нажатой кнопку подачи газа (Рис. 19).

▶ 7.1.5. После зажигания пламени удерживать нажатой кнопку подачи газа приблизительно в течение 15 секунд (Рис. 21).

▶ 7.1.6. Отпустить кнопку подачи газа (Рис. 22).

В случае прерывания электроэнергии или отсутствия газа обогреватель выключится. Повторное включение обогревателя не происходит автоматически, необходимо включить его вручную, повторив процедуру включения. Если обогреватель не включается, см. соответствующий раздел (Пар. “12. НЕИСПРАВНОСТИ, ПРИЧИНЫ И СПОСОБЫ ИХ УСТРАНЕНИЯ”).

▶▶ 7.2. РЕЖИМ ВЕНТИЛЯЦИИ:

Обогреватель можно использовать в качестве вентилятора. Подключить обогреватель к сети электропитания и/или вставить перезаряжаемый аккумулятор и перевести выключатель “O/I” в положение “I” (Рис. 18).

Примечание: Если обогреватель работает в режиме отопления, то прежде чем перейти в режим вентиляции, выполнить правильную последовательность действий для его выключения (Пар. “9. ВЫКЛЮЧЕНИЕ”).

▶▶▶ 8. РЕГУЛИРОВКА ТЕПЛОВОЙ МОЩНОСТИ

Тепловую мощность можно отрегулировать при помощи ручки, расположенной на основании обогревателя (Рис. 23).

▶▶▶ 9. ВЫКЛЮЧЕНИЕ

▶ 9.1. Закрыть кран газового баллона (Рис. 24).

▶ 9.2. Оставить вентилятор работать приблизительно на 60 секунд, во избежание внутреннего повреждения по причине перегрева (внутреннее охлаждение обогревателя).

▶ 9.3. Перевести выключатель “O/I” в положение “O” (Рис. 25).

▶ 9.4. Отсоединить обогреватель от сети электропитания (Рис. 26) и/или достать

перезаряжаемый аккумулятор или отсоединить аккумулятор (Рис. 27).

▶ 9.5. Отсоединить от обогревателя трубу подачи газа (Рис. 28-29-30).

▶▶▶ 10. ОЧИСТКА И УХОД

Не менее одного раза в год и/или по необходимости поручать центру сервисного обслуживания произвести техосмотр, чтобы проверить правильность работы обогревателя. Прежде чем убирать обогреватель на хранение, его необходимо очистить.

▶ 10.1. Прежде чем приступать к каким-либо работам по техобслуживанию, уходу или ремонту обогревателя, необходимо выполнить последовательность действий для его выключения (Пар. “9. ВЫКЛЮЧЕНИЕ”).

▶ 10.2. Очистке подвергается только воздухозаборник (задняя сторона) обогревателя.

▶ 10.3. При последующем использовании обогревателя необходимо проверить газовую трубу на предмет ее целостности; в случае возникновения сомнений по поводу ее целостности, следует обратиться в сервисную службу.

▶ 10.4. Не выполнять не санкционированные работы.

▶▶▶ 11. ХРАНЕНИЕ И ТРАНСПОРТИРОВКА АККУМУЛЯТОРА

НЕ ХРАНИТЬ АККУМУЛЯТОР В МЕСТАХ С НИЗКОЙ ТЕМПЕРАТУРОЙ В ТЕЧЕНИЕ ДЛИТЕЛЬНОГО ВРЕМЕНИ.

Перезаряжаемые литиевые аккумуляторы попадают под действие норм, касающихся опасных грузов. Пользователь может перевозить дорожным транспортом перезаряжаемые аккумуляторы без дополнительных мер предосторожности. В случае перевозки, поручаемой третьим лицам (например воздушная перевозка и/или экспедиционное агентство), необходимо соблюдать требования действующих норм. Высылать перезаряжаемые аккумуляторы, только если их корпус не поврежден. Заклеить клейкой лентой обнаженные контакты и упаковать перезаряжаемый аккумулятор так, чтобы он был неподвижно закреплен в упаковке. Просим вас придерживаться также возможных других государственных норм.

►►► 12. НЕИСПРАВНОСТИ, ПРИЧИНЫ И СПОСОБЫ ИХ УСТРАНЕНИЯ

НЕИСПРАВНОСТИ ФУНКЦИОНИРОВАНИЯ	ПРИЧИНЫ	СПОСОБЫ УСТРАНЕНИЯ
Двигатель не запускается	Нет питания (если подключен к сети электропитания)	1.Проверить сеть электропитания 2.Служба технической поддержки
	Аккумулятор разряжен (если питание от аккумулятора)	1.Зарядить аккумулятор 2.Служба технической поддержки
	Неисправность блока питания или аккумулятора	Служба технической поддержки
	Неисправный двигатель	Служба технической поддержки
Пламя не зажигается	Закончился газ в газовом баллоне	Заменить газовый баллон (Пар. 5)
	Заблокирован предохранительный клапан регулятора	1.Нажать кнопку разблокировки газа регулятора (Рис. 13) 2.Служба технической поддержки
	Закрыт кран газового баллона	Открыть кран газового баллона (Рис. 12)
	Неисправен контур зажигания	Служба технической поддержки
Пламя не остается зажженным	Кнопка подачи газа удерживается недостаточно долго	Подольше удерживать кнопку подачи газа (Пар. 7.1.5.)
	Неисправный обогреватель	Служба технической поддержки
Гаснет пламя во время работы	Недостаточная подача газа	1.Заменить газовый баллон (Пар. 5) 2.Служба технической поддержки
	Перегрев обогревателя	1.Очистить воздухозаборник (задняя сторона) 2.Служба технической поддержки
	Неисправный обогреватель	Служба технической поддержки

ru

SOUHRN ODSTAVCŮ

1...	POPIS
2...	UPOZORNĚNÍ
3...	TYP PALIVA
4...	POPIS VÝROBKŮ
5...	PŘIPOJENÍ A VÝMĚNA PLYNOVÉ LÁHVE
6...	ELEKTRICKÉ NAPÁJENÍ
7...	ZAPALOVÁNÍ
8...	NASTAVENÍ TEPELNÉHO VÝKONU
9...	VYPNUTÍ
10...	ČIŠTĚNÍ A ÚDRŽBA
11...	USCHOVÁVÁNÍ A PŘEPRAVA BATERIE
12...	ANOMÁLIE PROVOZU, PŘÍČINY A NÁPRAVY

DŮLEŽITÉ: PŘEČTĚTE SI A SPRÁVNĚ POCHOPTĚ TUTO OPERATIVNÍ PŘÍRUČKU PŘED MONTÁŽÍ, UVEDENÍM DO PROVOZU ANEBU ÚDRŽBOU TOHOTO GENERÁTORU. NESPRÁVNÉ POUŽITÍ MŮŽE ZAPŘÍČINIT VÁŽNÁ PORANĚNÍ. UCHOVÁVEJTE TUTO PŘÍRUČKU PRO BUDOUCÍ KONZULTACE.

►►► 1. POPIS

Toto je přenosný ohřívač vzduchu pracující na kapalném plynu, vyznačuje se celkovým využitím paliva, a to prostřednictvím výměny tepla přímým mícháním nasávaného vzduchu a spalin. Je vybaven praktickou rukojetí pro snadnou přepravu a manipulaci. Tento ohřívač může být napájen přes specifický napájecí adaptér nebo dobíjecí bateriový systém. Je realizován v souladu s Normou EN 1596.

►►► 2. UPOZORNĚNÍ

►⚠**DŮLEŽITÉ:** Nepoužívejte pro vytápění obytných prostorů bytových domů; pro použití ve veřejných budovách dodržujte příslušné národní předpisy.

►⚠**DŮLEŽITÉ:** Tento ohřívač není určen pro používání osobami (včetně dětí) se sníženými fyzickými, smyslovými nebo duševními schopnostmi, nebo nezkušenými osobami, pokud nejsou pod dohledem osoby odpovědné za jejich bezpečnost. Děti musí být pod dozorem, aby se zajistilo, že si nebudou s přístrojem hrát. Udržujte domácí zvířata v bezpečné vzdálenosti od ohřívače.

►⚠**DŮLEŽITÉ:** Nesprávné použití tohoto ohřívače může zapříčinit škody nebo ohrožení života osob, zranění, popáleniny, výbuchy, elektrické šoky nebo otravy. První příznaky udušení oxidem uhelnatým se podobají chřipce, s bolestmi hlavy, závratěmi a/nebo nevolností. Tyto příznaky mohou být způsobeny nesprávným fungováním ohřívače. V PŘÍPADĚ VÝSKYTU TĚCHTO PŘÍZNAKŮ OKAMŽITĚ VYJDETE VEN Z MÍSTNOSTI a nechte přístroj opravit v technickém servisním středisku.

►⚠**DŮLEŽITÉ:** Všechny úkony čištění, údržby a opravy, které předpokládají přístup k nebezpečným částem, musí provádět výrobce, jeho technická servisní služba, osoba s podobnou kvalifikací, aby se zabránilo jakémukoli riziku; a to i v případě, že zařízení bude odpojeno od napájecí sítě.

► 2.1. Pro správné používání ohřívače a pro zachování paliva postupujte v souladu se všemi místními předpisy a platnými nařízeními.

► 2.2. Ohřívač vyžaduje pro provoz odpovídající výměnu vzduchu. Proto musí být používán na otevřeném prostranství nebo v místnostech s trvalou a zajištěnou výměnou vzduchu. Dobré

větrání je zajištěno, pokud je objem místnosti kalkulován úměrně k tepelnému výkonu podle vzorce 1m^3 na každých 100W výkonu. V žádném případě doporučený objem místnosti nesmí být menší než 100m^3 . Dobrá ventilace je zajištěna otvorem, který odpovídá vzorci 25cm^2 na kW tepelného výkonu, s nejméně 250cm^2 , rovnoměrně rozděleným mezi horní a dolní části místnosti. Pro instalaci platí stávající vnitrostátní právní předpisy, včetně technických norem a ustanovení, týkající se bezpečnosti a požární ochrany.

► **2.3.** Ohříváč musí být používán pouze pro ohřívání (režim vytápění) vzduchu, nebo pro pohyb vzduchu (režim ventilace). Pro použití pečlivě postupujte podle následujících pokynů.

► **2.4.** Výrobce odmítá veškerou odpovědnost za škody a/nebo zranění způsobené nesprávným používáním ohříváče.

► **2.5.** Napájejte ohříváč pouze s typem paliva výslovně uvedeným na typovém štítku připevněném na ohříváči.

► **2.6.** Ujistěte se o správném připojení ohříváče k elektrické síti, vybavené diferenčním přerušovačem a řádně uzemněné.

► **2.7.** Používejte pouze prodlužovací šňůry s vhodným průřezem a s vodičem uzemnění.

► **2.8.** Ohříváč musí pracovat na rovném, stabilním a nehořlavém povrchu, aby se zabránilo nebezpečí vzniku požáru.

► **2.9.** Je přísně zakázáno používat ohříváč v suterénech nebo pod úrovní terénu.

► **2.10.** Ohříváč se nesmí používat v místnostech, kde je přítomný výbušný prach, dým, plyny, pohonné hmoty, rozpouštědla, barvy.

► **2.11.** Pokud je ohříváč používán v blízkosti plachet, stanů a podobných krycích materiálů, doporučuje se použít další ohnivzdorné ochrany. Dbejte na udržování vhodné vzdálenosti, která v žádném případě nesmí být menší než $2,5\text{m}$ od hořlavých materiálů (látky, papír, dřevo, atd.) anebo tepelně labilních materiálů (včetně kabelu adaptéru, pokud je k dispozici) od horkých částí ohříváče.

► **2.12.** Umístěte plynovou láhev do chráněné polohy za přístrojem (Obr. 1). Ohříváč nesmí být nikdy orientována na láhev s plynem (Obr. 2).

► **2.13.** Nikdy neblokujte, byť i částečně, nasávací otvor vzduchu (zadní část) a/nebo odváděcí otvor vzduchu (přední část) (Obr. 3).

Vyvarujte se použití jakýchkoli vzduchových potrubí z/do ohříváče. Ujistěte se, že větrací otvory pro přívod vzduchu na spodní straně základny nejsou ucpány (u modelů, které jsou vybaveny tímto řešením).

► **2.14.** V případě poruchy zapalování, nebo abnormálního zapalování ohříváče konzultujte příslušné části (Odst. "12. ANOMÁLIE PROVOZU, PŘÍČINY A NÁPRAVY").

► **2.15.** Když je ohříváč v provozu, nesmí být přemísťován, manipulován, ani předmětem žádného údržbářského zásahu.

► **2.16.** V jakémkoli režimu použití nebo stavu ohříváče dávejte pozor, aby nedošlo k poškození flexibilní plynové hadice (rozdrčení, ohnutí, zkroucení, natáhnutí, atd.).

► **2.17.** Pokud ucítíte zápach plynu, okamžitě ohříváč vypněte, uzavřete láhev s plynem, odpojte napájecí adaptér ze sítě a/nebo vyjměte baterii a obraťte se na technickou servisní službu.

► **2.18.** V případě výměny plynové hadice použijte pouze typ pružné hadice vhodné pro provozní tlak, s odkazem na vnitrostátní předpisy. Plynová hadice musí být dlouhá $1,5\text{m}$.

► **2.19.** Pokud ohříváč nepoužíváte, odpojte napájecí adaptér ze sítě a/nebo vyjměte dobíjecí baterii, vypněte přívod plynu, odpojte plynovou hadici od ohříváče a zazátkujte otvor na přívod plynu na ohříváči.

► **2.20.** Nejméně jednou za rok a/nebo podle potřeby nechte provést technickou kontrolu řádného fungování ohříváče.

► **2.21.** Ujistěte se, že ohříváč je vypnutý před připojením elektrické zástrčky napájecího adaptéru a/nebo vložením dobíjecí baterie, aby se zabránilo každému nebezpečí.

► **2.22.** Používejte pouze a výhradně originální dobíjecí baterie. Použití nesprávných dobíjecích baterií může zapříčinit škody nebo ohrožení života osob, zranění, popáleniny, výbuchy, elektrické šoky anebo otravy.

► **2.23.** Zachovávejte adekvátní bezpečnou vzdálenost mezi odpojenou dobíjecí baterií a kancelářskými klipy, mincemi, klíči, hřebíky, šrouby nebo další drobné kovové předměty, které by mohly způsobit zkrat. Zkrat mezi kontakty dobíjecí baterie může zapříčinit škody nebo ohrožení života osob, zranění, popáleniny, výbuchy, atd.

► **2.24.** Nesprávné použití baterie může způsobit únik kapaliny z baterie. Vyhněte se kontaktu. V případě náhodného kontaktu důkladně opláchněte vodou. Okamžitě vyhledejte lékařskou pomoc, pokud se kapalina dostane do kontaktu s očima. Unikající kapalina z baterie může způsobit podráždění pokožky nebo popáleniny.

► **2.25.** Nesprávné použití baterie může způsobit únik výparů z baterie. Vyhněte se vdechování těchto výparů. Zajistěte přísuv čerstvého vzduchu v případě náhodného vdechnutí a navštivte lékaře při obtížích. Páry mohou dráždit dýchací cesty.

► **2.26.** Aby se předešlo vážným rizikům nesnažte se baterii otevírat/rozebírat.

► **2.27.** Aby se předešlo vážným rizikům chraňte dobíjecí baterii před teplem (například dlouhodobé sluneční záření, oheň, voda, vlhkost, atd.).

► **2.28.** Používejte specifickou dobíjecí baterii pouze s tímto ohřívačem, aby se zabránilo nebezpečným přetížením.

► **2.29.** Používejte pouze originální dobíjecí baterie s napětím uvedeným na typovém štítku ohřívače. V případě použití jiných dobíjecích baterií (například imitace baterií, regenerované baterie, baterie jiných výrobců, atd.) existuje nebezpečí úrazu a/nebo výbuchu.

► **2.30.** Nabíjejte dobíjecí baterii pouze a výhradně s originálními nabíječkami baterií. Každá baterie potřebuje specifickou nabíječku baterie, aby se zabránilo nebezpečí vzniku požáru a výbuchu.

► **2.31.** Používejte pouze napájecí postupy uvedené v této příručce. Pro přechod z jednoho provozního režimu do druhého proveďte postup vypnutí (Odst. "9. VYPNUTÍ"). Je zakázáno měnit režim napájení s ohřívačem v provozu, aby se zabránilo vážným škodám.

► ► ► 3. TYP PALIVA

Používejte pouze plyn kategorie I₃B/P.

► ► ► 4. POPIS VÝROBKŮ

► ► 4.1. NAPÁJECÍ ADAPTÉR (pokud existuje):

NAPÁJECÍ ADAPTÉR NEPLNÍ FUNKCI NABÍJEČKY BATERIE.

(Obr. 4) Ohřívač může pracovat připojen k elektrické síti pomocí zařízení zvaného napájecí adaptér. Napájecí zdroj je určen pro příjem jednofázového střídavého proudu, dodávaného ze sítě na vstup do přístroje a jeho převedení na jednosměrný proud na výstupu, vhodný pro provoz ohřívače. Je nutné respektovat provozní parametry napájecího adaptéru (viz typový štítek na adaptéru). Používejte napájecí zdroj na zcela suchých místech, chráněných před prachem pro výhradní napájení tohoto ohřívače. Pravidelně kontrolujte stav napájecího kabelu, aby nedošlo k vážnému poškození. Dbejte na všechna upozornění vztahující se k napájecímu adaptéru, jak je popsáno v tomto návodu.

► ► 4.2. BATERIE (pokud existuje):

(Obr. 5) Ohřívač může pracovat autonomně s originální dobíjecí Li-iontovou baterií, aniž by musel být připojen k síti. Dobíjecí baterie je dodávána částečně nabitá a z tohoto důvodu se doporučuje provést úplný cyklus nabití před jejím použitím. Používejte pouze originální dobíjecí baterie pro napájení tohoto ohřívače. Dbejte na všechna upozornění vztahující se k baterii, jak je popsáno v tomto návodu.

► ► 4.3. NABÍJEČKA BATERIE (pokud existuje):

(Obr. 6) Nabíječka baterie je určena pro nabíjení originálních dobíjecích baterií. Je nutné respektovat provozní parametry nabíječky baterie (viz typový štítek na nabíječce). Používejte nabíječku baterie na zcela suchých místech, chráněných před prachem pro nabíjení pouze originálních dobíjecích baterií, používaných k napájení tohoto ohřívače. Nabíječka baterie je určena k automatickému řízení správného nabíjecího cyklu, když je připojena dobíjecí baterie (Obr. 7). Řada světelných kontrolků umístěných na nabíječce umožňuje mít podrobnou diagnostiku během fáze dobíjení baterie (Obr. 8). Dbejte na všechna upozornění v tomto návodu, vztahující se na dodanou nabíječku baterie.

▶▶▶ 5. PŘIPOJENÍ A VÝMĚNA PLYNOVÉ LÁHVE

Plynová láhev se musí vyměňovat na otevřeném prostranství, daleko od zdrojů tepla, v atmosféře bez přítomnosti plamenů.

Pro připojení plynové láhve k ohřívачi musí být použito pouze následující příslušenství:

- Flexibilní hadice pro kapalný plyn.
- Tlakový regulátor pro kapalný plyn, vybavený pojistným ventilem.

ZKONTROLUJTE INTEGRITU PŘÍVODNÉ PLYNOVÉ HADICE. V PŘÍPADĚ, ŽE TATO MUSÍ BÝT VYMĚNĚNA, POUŽÍVEJTE POUZE HADICE FLEXIBILNÍHO TYPU, KTERÉ ODPOVÍDAJÍ PROVOZNÍMU TLAKU; RESPEKTUJTE NÁRODNÍ PŘEDPISY.

▶ Pro připojení ohřívачe k plynové láhvi:

UPOZORNĚNÍ: VEŠKERÉ ZÁVITY JSOU LEVOSMĚRNÉ, TO ZNAMENÁ, ŽE SE UTAHUJÍ V PROTISMĚRU HODIN.

▶ **5.1.** Našroubujte plynovou hadici na ohřívач (Obr. 9).

▶ **5.2.** Instalujte tlakový regulátor na plynovou láhev. Ujistěte se, že regulátor je vybaven těsněním (pokud to přípojka vyžaduje) (Obr. 10).

▶ **5.3.** Připojte plynovou hadici k tlakovému regulátoru (Obr. 11).

▶ **5.4.** Otevřete kohout plynové láhve (Obr. 12).

▶ **5.5.** Stiskněte uvolňovací tlačítko regulátoru (Obr. 13). **Zkontrolujte těsnost připojení mýdlovou vodou: výskyt bublin znamená případné úniky plynu (Obr. 14).** Je rovněž možné přepojit navzájem mezi sebou několik plynových láhví pro zajištění delší autonomie. Správný provozní tlak (viz typový štítek na ohřívачi) závisí od dodaného regulátoru, anebo od ekvivalentního modelu.

▶▶▶ 6. ELEKTRICKÉ NAPÁJENÍ
POUŽÍVEJTE POUZE ZDE POPSANÉ ZPŮSOBY NAPÁJENÍ. PRO PŘECHOD OD JEDNOHOREŽIMU K DRUHÉMU PŘEVĚDĚTE POSTUP VYPNUTÍ (Odst. "9. VYPNUTÍ"). JE ZAKÁZÁNO MĚNIT PROVOZNÍ REŽIM S OHŘÍVAČEM V PROVOZU.

▶▶ 6.1. OHŘÍVAČ NAPÁJEN ADAPTÉREM (pokud existuje):

ZAPOJENÍ K ELEKTRICKÉ SÍTI SE MUSÍ PROVÁDĚT V SOULADU S PLATNÝMI NÁRODNÍMI PŘEDPISY.

Před připojením ohřívачe k elektrické síti se ujistěte, že:

▶ **6.1.1.** Elektrická síť je vybavena diferenčním přerušovačem a adekvátním uzemněním.

▶ **6.1.2.** Napájecí napětí a frekvence jsou správné (viz typový štítek na napájecím adaptéru).

Připojte napájecí adaptér k ohřívачi (Obr. 15) a poté zapojte napájecí adaptér do elektrické sítě (Obr. 16).

▶▶ 6.2. OHŘÍVAČ NAPÁJEN DOBÍJECÍ BATERIÍ (pokud existuje):

POUŽÍVEJTE VÝHRADNĚ ORIGINÁLNÍ DOBÍJECÍ BATERIE S NAPÁJENÍM VYZNAČENÝM NA TYPOVÉM ŠTÍTKU S TECHNICKÝMI ÚDAJI OHŘÍVAČE.

Vložte dobíjecí baterii do prostoru pro baterii, který se nachází pod základnou ohřívачe (Obr. 17).

Dobíjecí baterie (součástí balení a/nebo na přání v závislosti na modelu) je dodávána částečně nabitá. Chcete-li zajistit plný výkon ohřívачe, před prvním použitím plně nabijte dobíjecí baterii použitím originální nabíječky baterií (baterie vyžaduje specifickou nabíječku). Dobíjecí baterie je vybavena regulací teploty "NTC", která umožňuje nabíjení pouze v rozsahu teplot mezi 0°C a 40°C. Tímto způsobem je zaručena dlouhá životnost dobíjecí baterie.

▶▶ 6.3. OHŘÍVAČ NAPÁJEN ADAPTÉREM S VLOŽENOU BATERIÍ (pokud existuje):

Připojte napájecí adaptér k ohřívачi (Obr. 15) a poté zapojte napájecí adaptér do elektrické sítě (Obr. 16) (viz typový štítek na ohřívачi). Ohřívач automaticky vyloučí dobíjecí baterii. **NAPÁJECÍ ADAPTÉR NEPLNÍ FUZNKCI NABÍJEČKY BATERIE**, a proto když je ohřívач napájen ze sítě, dobíjecí baterie není dobíjena.

►►► 7. ZAPALOVÁNÍ

►► 7.1. REŽIM VYTÁPĚNÍ:

► 7.1.1. Přepněte vypínač "O/I" do polohy "I" (Obr. 18).

► 7.1.2. Počkejte několik sekund.

► 7.1.3. Stiskněte tlačítko plynu na doraz a podržte jej stisknuté (Obr. 19).

► 7.1.4. Působte opakovaně na piezoelektrický zapalovač (Obr. 20) stisknutím a podržením tlačítka plynu (Obr. 19).

► 7.1.5. Po zapálení plamene stiskněte a podržte tlačítko plynu po dobu asi 15 sek. (Obr. 21).

► 7.1.6. Uvolněte tlačítko plynu (Obr. 22).

V případě výpadku napájení nebo nedostatku plynu se ohřívač vypne. Opětovné zapalování ohřívače není automatické, ale musí být provedeno ručně opakováním postupu zapalování. V případě, že se ohřívač nezapálí, konzultujte příslušnou část (Odst. "12. ANOMÁLIE PROVOZU, PŘÍČINY A NÁPRAVY").

►► 7.2. REŽIM VENTILACE:

Ohřívač může být také použit jako ventilátor. Připojte k ohřívači elektrickou zástrčku a/nebo vložte dobíjecí baterii a přepněte vypínač "O/I" do polohy "I" (Obr. 18).

POZN.: Pokud ohřívač funguje v režimu vytápění a chcete přejít do režimu ventilace, je nezbytné nejdřív vykonat správný postup vypnutí (Odst. "9. VYPNUTÍ").

►►► 8. NASTAVENÍ TEPELNÉHO VÝKONU

Teplný výkon lze nastavit otáčením knoflíku ve spodní části ohřívače (Obr. 23).

►►► 9. VYPNUTÍ

► 9.1. Zavřete plynovou láhev (Obr. 24).

► 9.2. Nechte pracovat ventilátor asi 60 sek., aby se zabránilo vnitřnímu poškození v důsledku přehřátí (vnitřní ochlazení ohřívače).

► 9.3. Přepněte vypínač "O/I" do polohy "O" (Obr. 25).

► 9.4. Odpojte ohřívač z elektrické sítě (Obr. 26) a/nebo vyjměte dobíjecí baterii ze sítě nebo ji odpojte (Obr. 27).

► 9.5. Odpojte ohřívač od přívodní plynové hadice (Obr. 28-29-30).

►►► 10. ČIŠTĚNÍ A ÚDRŽBA

Nejméně jednou za rok a/nebo podle potřeby nechte provést technickou kontrolu řádného fungování ohřívače. Po použití se musí ohřívač pečlivě vyčistit před jeho uložením.

► 10.1. Před zahájením jakékoliv údržby, kontroly a opravy na ohřívači proveďte postup vypnutí (Odst. "9. VYPNUTÍ").

► 10.2. Čištění se vztahuje pouze na přívod vzduchu (zadní část) ohřívače.

► 10.3. Při opětovném použití ohřívače zkontrolujte neporušenost plynové hadice; máte-li pochybnosti o její integritě, požádejte o zásah servisního technika.

► 10.4. Neprovádějte nepovolené zásahy.

►►► 11. USCHOVÁVÁNÍ A PŘEPRAVA BATERIE

NEUSCHOVÁVEJTE A NESKLADUJTE BATERII NA MÍSTECH S NÍZKOU TEPLOTOU PO DLOUHOU DOBU.

Dobíjecí Li-iontové baterie podléhají požadavkům právních předpisů týkajících se nebezpečného zboží. Dobíjecí baterie mohou být přepravovány po silnici uživatelem bez dalších opatření. V případě zaslání prostřednictvím třetích stran (například letecké dopravy a/nebo přepravce) musí být dodrženy zvláštní požadavky v souladu s platnými předpisy. Zasilejte dobíjecí baterie pouze tehdy, pokud jejich obal není poškozen. Zakryjte s lepicí páskou otevřené kontakty a zabalte dobíjecí baterii takovým způsobem, aby se nepohybovala v balení. Žádáme Vás také o dodržování dodatečných vnitrostátních předpisů.

►►► 12. ANOMÁLIE PROVOZU, PŘÍČINY A NÁPRAVY

ANOMÁLIE PROVOZU	PŘÍČINY	NÁPRAVY
Motor se nespustí	Chybějící napětí (při napájení ze sítě)	1.Zkontrolujte zařízení sítě 2.Technická podpora
	Vybitá baterie (při napájení z baterie)	1.Dobijte baterii 2.Technická podpora
	Vadný napájecí adaptér nebo baterie	Technická podpora
	Vadný motor	Technická podpora
Plamen se nezažihá	Plynová láhev je prázdná	Vyměňte plynovou láhev (Odst. 5)
	Pojistný ventil regulátoru zablokován	1.Stiskněte uvolňovací tlačítko regulátoru plynu (Obr. 13) 2.Technická podpora
	Kohout plynové láhve je zavřený	Otevřete kohout plynové láhve (Obr. 12)
	Vadný obvod zapalování	Technická podpora
Plamen zhasíná	Plynové tlačítko nebylo stisknuto dostatečně dlouhou dobu	Stiskněte plynové tlačítko déle (Odst. 7.1.5.)
	Vadný ohříváč	Technická podpora
Vypnutí plamene během provozu	Nedostatečný přívod plynu	1.Vyměňte plynovou láhev (Odst. 5) 2.Technická podpora
	Přehřátí ohříváče	1.Vyčistěte přívod vzduchu (zadní strana) 2.Technická podpora
	Vadný ohříváč	Technická podpora

TARTALOM

1...	LEÍRÁS
2...	FIGYELMEZTETÉSEK
3...	TÜZELŐANYAG TÍPUSA
4...	KÉSZÜLÉK RÉSZEINEK LEÍRÁSA
5...	GÁZPALACK BEKÖTÉSE ÉS CSERÉJE
6...	ELEKTROMOS TÁPELLÁTÁS
7...	BEKAPCSOLÁS
8...	HŐTELJESÍTMÉNY BEÁLLÍTÁSA
9...	KIKAPCSOLÁS
10...	TISZTÍTÁS ÉS KARBANTARTÁS
11...	AKKUMULÁTOR TÁROLÁSA ÉS SZÁLLÍTÁSA
12...	MŰKÖDÉSI RENDELLENESÉGEK, OKOK, MEGOLDÁSOK

FONTOS: A BERENDEZÉS ÖSSZESZERELÉSE ÉS ÜZEMBEHELYEZÉSE ELŐTT OLVASSA EL FIGYELMESEN A JELEN HASZNÁLATI ÚTMUTATÓT. A BERENDEZÉS NEM RENDELTETÉSSZERŰ HASZNÁLATA SÚLYOS SÉRÜLÉSEKET OKOZHAT. ŐRIZZE MEG AZ ÚTMUTATÓT, MERT A KÉSŐBBIEKBEN MÉG SZÜKSÉGE LEHET RÁ.

▶▶▶ 1. LEÍRÁS

A jelen léghevítő egy folyékony gázzal üzemelő hordozható léghevítő, amely a beszívott levegő és az égéstermék közvetlen keveréséből eredő hőcserélő folyamatnak köszönhetően a tüzelőanyagot 100%-ban kihasználja. A készülék rendelkezik egy, a szállítást és mozgatást megkönnyítő fogantyúval. A léghevítő tápellátása speciális tápegységgel, vagy újratölthető akkumulátorokkal történik. Gyártása az EN 1596 Szabványnak megfelelően történt.

▶▶▶ 2. FIGYELMEZTETÉSEK

▶⚠**FONTOS:** Ne használja lakóépületek fűtésére. Középületekben való használat esetén tájékozódjon a hatályos jogszabályokról.

▶⚠**FONTOS:** A léghevítőt csökkent értelmi, fizikai képességű vagy megfelelő tapasztalattal nem rendelkező személyek (beleértve a gyermekeket is) nem használhatják, kivéve ha biztonságukról gondoskodik a készülék használatát felügyelő személy. A gyermekeknek ne

engedje, hogy játsszanak a léghevítővel. Az állatokat tartsa a léghevítőtől biztonságos távolságban.

▶⚠**FONTOS:** A léghevítő nem rendeltetésszerű használata személyi sérülést vagy életveszélyt, égési sérülést, robbanást, áramütést, mérgezést okozhat. A szén-monoxid mérgezés első jelei hasonlítanak az influenza tüneteihez: fejfájás, szédülés és/vagy hányinger. Ezen tüneteket a léghevítő meghibásodása okozhatja. **AMENNYIBEN EZEKET A TÜNETEKET ÉSZLELI, AZONNAL MENJEN KI A SZABAD LEVEGŐRE** és javíttassa meg a léghevítőt a műszaki szervizszolgálattal.

▶⚠**FONTOS:** Minden olyan tisztítási, karbantartási és javítási művelet esetében, amely veszélyes területen való munkavégzést igényel, forduljon a gyártóhoz, műszaki szervizszolgálatához, vagy hasonló képzettségű személyhez. Így elkerülheti a kockázatokat akkor is, ha ezen a készülék áramtalanítva van.

▶ 2.1. A léghevítő rendeltetésszerű használata és a tüzelőanyag megfelelő tárolása érdekében

tartson be valamennyi helyi rendeletet és érvényben lévő jogszabályt.

► **2.2.A** léghevítő megfelelő levegőcsere művelethez szükséges. Éppen ezért a léghevítőt a szabadban vagy jól és folyamatosan szellőző helyiségekben használja. A szellőzés akkor megfelelő, ha a helyiség térfogata a hőteljesítmény alapján kerül kiszámításra az alábbi képlettel: 1m^3 minden 100W teljesítményre. A helyiség ajánlott mérete nem lehet kisebb mint 100m^3 . A szellőzés akkor tekinthető megfelelőnek, ha a szellőzőnyílás kielégíti az alábbi feltételeket: $25\text{cm}^2 / 1\text{kW}$ hőteljesítmény, de legalább 250cm^2 , amely egyenletesen oszlik meg a helyiség alsó és felső része között. A telepítéskor vegye figyelembe a felhasználási országban hatályos műszaki jogszabályokat, valamint a balesetmegelőzési és tűzvédelmi előírásokat.

► **2.3.** A léghevítő kizárólag a levegő melegítésére (fűtési mód), vagy a levegő mozgatására (szellőző mód) használható. A használat során szigorúan tartsa be a kézikönyv előírásait.

► **2.4.** A gyártó visszautasít minden felelősséget az olyan tárgyi vagy személyi sérülések miatt, melyek a léghevítő nem rendeltetésszerű használatából erednek.

► **2.5.** A léghevítőhöz kizárólag a kifejezetten az adattáblán jelzett tüzelőanyagot használja.

► **2.6.** Ellenőrizze, hogy készülék kizárólag megfelelően földelt, és differenciálvédelmi megszakítóval felszerelt elektromos hálózatba van-e csatlakoztatva.

► **2.7.** Kizárólag megfelelően szakaszolt hosszabbítót használjon, földelt vezetékkel.

► **2.8.** A léghevítőt színtezett, stabil és tűzálló felületen működtesse, a tűzveszély elkerülésére.

► **2.9.** Szigorúan tilos pincében vagy talajszint alatt használni.

► **2.10.** A léghevítő nem használható olyan helyiségekben, ahol por, robbanóanyag, füst, gáz, tüzelőanyag, oldószer, lakk található.

► **2.11.** Amennyiben a léghevítőt ponyva, függöny, vagy más takaró anyag közelében használja, javasoljuk, hogy használjon megfelelő tűzálló védőberendezéseket. Ügyeljen arra, hogy a berendezés meleg részei és egyéb gyúlékony, (szövet, papír, fa, stb.) vagy hőre bomló részei (beleértve a készülék vezetékét, ha van) között tartson legalább $2,5\text{m}$ -es biztonsági távolságot.

► **2.12.** A gázpalackot védett pozícióba, a készülék mögé helyezze (Ábra 1). A léghevítőt ne irányítsa a gázpalackra (Ábra 2).

► **2.13.** Semmilyen okból ne akadályozza teljesen vagy részlegesen a levegőbeszívó (hátsó oldal) és/vagy a levegő kifúvó (elülső oldal) nyílását (Ábra 3). A berendezésbe bemenő vagy a berendezés által kifújott levegőt csatornázni tilos. Győződjön meg arról, hogy a készülék alján lévő levegő beszívó nyílást (azon modellek esetében, amelyek ezt a megoldást alkalmazzák) nem tömíti el semmi.

► **2.14.** Amennyiben a készülék nem kapcsol be, vagy a bekapcsolásakor rendellenességet észlel, tanulmányozza a kézikönyv megfelelő (Bevezetés „12. MŰKÖDÉSI RENDELLENESSÉGEK, OKOK, MEGOLDÁSOK”).

► **2.15.** A léghevítőt működése közben tilos áthelyezni, kezelni, és tilos bármilyen karbantartási beavatkozást végezni rajta.

► **2.16.** A léghevítő használata, vagy elhelyezése során ügyeljen arra, hogy a flexibilis gáz cső ne sérüljön meg (nyomódás, hajlítás, csavarodás, feszülés stb.).

► **2.17.** Amennyiben gáz szagot érez, azonnal kapcsolja le a léghevítőt, zárja el a gázpalackot, válassza le a készüléket az elektromos hálózatról és/vagy távolítsa el az újratölthető akkumulátort, majd lépjen kapcsolatba a műszaki szervizszolgálattal.

► **2.18.** Amennyiben a gázcső cseréjére van szükség, kizárólag a használt nyomásnak megfelelő flexibilis csövet használja, betartva a nemzeti jogi szabályozásokat. A gázcsőnek legalább $1,5\text{m}$ -es hosszúnak kell lennie.

► **2.19.** Amennyiben a léghevítőt nem használja, húzza ki a csatlakozót a konnektorból és/vagy távolítsa el az újratölthető akkumulátort, zárja el a gáz ellátást, csatlakoztassa le a gázcsövet a léghevítőről, és zárja el a gáz bemenetet.

► **2.20.** Ellenőriztesse évente legalább egyszer és/vagy szükség szerint a műszaki szolgálattal a léghevítő működését.

► **2.21.** A kockázatok elkerülése érdekében, mielőtt a csatlakozót kihúzná az elektromos hálózatról és/vagy az újratölthető akkumulátort eltávolítaná, ellenőrizze, hogy a léghevítő ki van-e kapcsolva.

► **2.22.** Kizárólag eredeti, és előírt újratölthető akkumulátorokat használjon. A léghevítő nem rendeltetésszerű használata személyi sérülést vagy életveszélyt, égési sérülést, robbanást, áramütést, mérgezést okozhat.

► **2.23.** Tartson az újratölthető akkumulátortól megfelelő távolságra, kapcsolókat, pénzét, kulcsot, szeget, csavarokat és más kis fém tárgyakat,

melyek rövidzárlatot okozhatnak. Az újratölthető akkumulátor érintkezői közötti rövidzárlat személyi sérülést, életveszélyt, égési sérülést, robbanást, stb. okozhat.

▶ **2.24.** Az újratölthető akkumulátor hibás alkalmazása az akkumulátor folyadék szivárgását okozhatja. Kerülje a folyadékkal való érintkezést. Amennyiben véletlenül érintkezik a folyadékkal, öblítse le gondosan testrészét vízzel. Ha a folyadék a szemébe került, forduljon azonnal orvoshoz. Az újratölthető akkumulátorból kifolyt folyadék bőrirritációt vagy égési sérülést okozhat.

▶ **2.25.** Az újratölthető akkumulátor hibás használata az akkumulátorgőz szivárgását okozhatja. A gőzt belélegezni szigorúan tilos. Ha a gőzt véletlenül belélegezte, szellőztessen, és forduljon azonnal orvoshoz. A gőz irritálhatja a légutakat.

▶ **2.26.** Súlyos sérülések elkerülése érdekében ne próbálja meg kinyitni/szétszerezni az újratölthető akkumulátort.

▶ **2.27.** Súlyos sérülések elkerülése érdekében tartsa távol az újratölthető akkumulátort hőtől (például folyamatos napfénytől, tűztől, víztől, nedvességtől, stb.).

▶ **2.28.** A speciális újratölthető akkumulátort kizárólag ezzel a léghevítővel használja, így elkerülheti a veszélyes túltöltést.

▶ **2.29.** Kizárólag a léghevítő műszaki adatait tartalmazó adattáblán jelzett feszültségnek megfelelő eredeti újratölthető akkumulátorokat használja. Az ettől eltérő újratölthető akkumulátorok alkalmazása (például utángyártott akkumulátorok, újragenerált akkumulátorok, stb.) sérülést és/vagy robbanást okozhat.

▶ **2.30.** Az újratölthető akkumulátorokat kizárólag eredeti akkumulátortöltővel töltsen. Tűz és robbanás elkerülése érdekében valamennyi akkumulátorhoz speciális akkumulátortöltő szükséges.

▶ **2.31.** Az elektromos tápellátásra vonatkozóan kizárólag a kézikönyv előírásainak megfelelően járjon el. Egyik üzemmódból a másikba való áttéréshez tanulmányozza a (Bevezetés „9. KIKAPCSOLÁS”). Súlyos sérülések elkerülése érdekében működésben lévő léghevítő tápellátási módját változtatni tilos.

▶▶▶ 3. TÜZELŐANYAG TÍPUSA

Kizárólag az alábbi kategóriájú gázt használja: I₃B/P.

▶▶▶ 4. KÉSZÜLÉK RÉSZEINEK LEÍRÁSA

▶▶ 4.1. TÁPEGYSÉG (ahol van):

A TÁPEGYSÉG NEM RENDELKEZIK AKKUMULÁTORTÖLTŐ FUNKCIÓVAL.

(Ábra 4) A léghevítő az elektromos hálózathoz csatlakoztatva tápegységen keresztül működtethető. A tápegység a bemenetnél a hálózati egyfázisú váltakozó áramot fogadja, és egyenárammá alakítja a kimenetnél, mely megfelel a léghevítő működtetéséhez. Vegye figyelembe a tápegység működési paramétereit (lásd tápegység adattábláján lévő adatok). A tápegységet teljesen száraz, portól védett helyiségekben használja, kizárólag ennek a léghevítőnek a tápellátásához. Rendszeresen ellenőrizze a tápegység kábelének állapotát, a súlyos sérülések elkerülése érdekében. Tartsa tiszteltben a kézikönyv tápegységre vonatkozó figyelmeztetéseit.

▶▶ 4.2. AKKUMULÁTOR (ahol van):

(Ábra 5) Ával, elektromos hálózathoz történő csatlakoztatás nélkül. Az újratölthető akkumulátort részlegesen feltöltve szállítjuk, ezért javasoljuk, hogy használata előtt töltsen fel. A léghevítő tápellátásához kizárólag eredeti akkumulátorokat használjon. Tartsa tiszteltben a kézikönyv akkumulátorokra vonatkozó figyelmeztetéseit.

▶▶ 4.3. AKKUMULÁTORTÖLTŐ (ahol van):

(Ábra 6) Az akkumulátortöltő az eredeti újratölthető akkumulátorok újratöltésére lett tervezve. Vegye figyelembe az akkumulátortöltő működési paramétereit (lásd az akkumulátortöltő adattábláját). Az akkumulátortöltőt teljesen száraz, portól mentes helyiségekben használja, kizárólag ennek a léghevítőnek a tápellátásához használt eredeti újratölthető akkumulátorok töltéséhez. Az akkumulátortöltő automatikusan kezeli az újratöltést az akkumulátor csatlakoztatásakor (Ábra 7). Az akkumulátortöltőn lévő jelzőfények az akkumulátor keresési fázisában részletes diagnosztikával rendelkeznek (Ábra 8). Vegye figyelembe a kézikönyv akkumulátortöltőre vonatkozó figyelmeztetéseit.

▶▶▶ 5. GÁZPALACK BEKÖTÉSE ÉS CSERÉJE

A gázpalackot a szabadban, nyílt lángtól mentes környezetben, hőforrástól távol cserélje.

A gázpalack és a léghevítő csatlakoztatásához az alábbi tartozékok szükségesek:

- A folyékony gáznak megfelelő flexibilis cső.
- Biztonsági szeleppel felszerelt nyomásszabályozó folyékony gázokhoz.

ELLENŐRIZZE A GÁZELLÁTÓ CSŐ ÉPSÉGÉT HA A GÁZCSŐ CSERÉRE SZORUL CSAK AZ ÜZEMI GÁZNYOMÁSNAK ÉS A FELHASZNÁLÁSI ORSZÁGBAN HATÁLYOS ELŐÍRÁSOKNAK MEGFELELŐ FLEXIBILIS CSÖVET HASZNÁLJON.

▶ Aléghevítő és a gázpalack csatlakoztatásához: **FIGYELEM: MINDEN MENET BALOS, TEHÁT AZ ÓRAMUTATÓ JÁRÁSÁVAL ELLENTÉTES IRÁNYBAN HÚZZA MEG ŐKET.**

▶ 5.1. Csavarja rá a gázcsövet a léghevítő csatlakozásához (Ábra 9).

▶ 5.2. Telepítse fel a gázpalackra a nyomásszabályzót. Ellenőrizze, hogy a nyomásszabályozón van-e tömítés (ha a csatlakozás esetében szükség van rá) (Ábra 10).

▶ 5.3. Csatlakoztassa a gázcsövet a nyomásszabályzóhoz (Ábra 11).

▶ 5.4. Nyissa meg a gázcsapot (Ábra 12).

▶ 5.5. Nyomja meg a nyomásszabályzó kioldó gombot (Ábra 13). **Ellenőrizze a csatlakozások tömítését szappanos vízzel: a buborék gázszivárgást jelez (Ábra 14).** Egyszerre több gázpalackot is ráköthet a készülékre. A megfelelő üzemi nyomást (lásd a készülék adattábláját) a berendezéssel együtt szállított nyomásszabályozó vagy azzal egyenértékű nyomásszabályozó segítségével állíthatja be.

▶▶▶ 6. ELEKTROMOS TÁPELLÁTÁS KIZÁRÓLAG AZ ITT LEÍRT TÁPELLÁTÁSI MÓDOT ALKALMAZZA. EGYIK ÜZEMMÓDBÓL A MÁSIKBA VALÓ ÁTTÉRÉSHEZ TANULMÁNYOZZA A KIKAPCSOLÁS SZAKASZT (Bekezdés „9. KIKAPCSOLÁS”). MŰKÖDÉSBE LÉVŐ LÉGHEVÍTŐ TÁPELLÁTÁSI MÓDJÁT VÁLTOZTATNI TILOS.

▶▶ 6.1. TÁPEGYSÉGGEL RENDELKEZŐ LÉGHEVÍTŐ ESETÉN (ahol van):

A HÁLÓZATI CSATLAKOZTATÁST A HELYI ÉRVÉNYBEN LÉVŐ SZABÁLYOK SZERINT VÉGEZZE.

Mielőtt a léghevítőt az elektromos hálózathoz csatlakoztatná, ellenőrizze az alábbiakat:

▶ 6.1.1. Az elektromos hálózathoz differenciál megszakító és megfelelő földelés tartozik-e.

▶ 6.1.2. A tápfeszültség és frekvencia megfelelő-e (lásd tápegység adattáblája).

Csatlakoztassa a tápegységet a léghevítőhöz (Ábra 15), majd csatlakoztassa a tápegységet az elektromos hálózathoz (Ábra 16).

▶▶ 6.2. ÚJRATÖLTHETŐ AKKUMULÁTORRAL ELLÁTOTT LÉGHEVÍTŐ (ahol van):

KIZÁRÓLAG A LÉGHEVÍTŐ MŰSZAKI ADATTÁBLÁJÁN JELZETT FESZÜLTSGNEK MEGFELELŐ EREDETI ÚJRATÖLTHETŐ AKKUMULÁTOROKAT HASZNÁLJON.

Helyezze be a léghevítő alján lévő akkumulátor ajtó tartójába az újratölthető akkumulátort (Ábra 17).

Az újratölthető akkumulátort (csomagolásban szállítva és vagy opcionálisan a modell típusa szerint) részlegesen feltöltve szállítjuk. Az újratölthető akkumulátor optimális teljesítményének garntálása érdekében első használat előtt tölts fel teljesen az újratölthető akkumulátort eredeti akkumulátortöltőben (valamennyi akkumulátorhoz speciális akkumulátortöltő szükséges). AZ újratölthető akkumulátor "NTC" hőmérséklet vezérlővel rendelkezik, mely kizárólag 0°C és 40°C közötti hőmérsékleten történő töltést tesz lehetővé. Így fenntartható az újratölthető akkumulátor magas élettartama.

▶▶ 6.3. BEÉPÍTETT AKKUMULÁTORRAL RENDELKEZŐ TÁPEGYSÉGGEL ELLÁTOTT LÉGHEVÍTŐ (ahol van):

Csatlakoztassa a tápegységet a léghevítőhöz (Ábra 15), majd csatlakoztassa a tápegységet az elektromos hálózathoz (Ábra 16) (lásd a léghevítő adattábláját). A léghevítő automatikusan kizárja az újratölthető akkumulátort. **A TÁPEGYSÉG NEM RENDELKEZIK AKKUMULÁTOR TÖLTŐ FUNKCIÓVAL**, éppen ezért amikor a léghevítő tápellátását az elektromos hálózat látja el, az újratölthető akkumulátor nem tölt.

▶▶▶ 7. BEKAPCSOLÁS

▶▶ 7.1. FŰTÉSI ÜZEMMÓD:

▶ 7.1.1. Állítsa a „O/I” kapcsolót „I” állásba (Ábra 18).

▶ 7.1.2. Várjon néhány másodpercet.

▶ 7.1.3. Nyomja meg a gáz nyomógombot és tartsa lenyomva (Ábra 19).

▶ 7.1.4. Nyomja meg hosszan és ismételten a piezoelektromos gyújtószerkezetet (Ábra 20), tartsa nyomva a gáz nyomógombot (Ábra 19).

▶ 7.1.5. A láng begyújtása után tartsa lenyomva a gáz nyomógombot körülbelül 15 másodpercig (Ábra 21).

▶ 7.1.6. Engedje fel a gáz nyomógombot (Ábra 22).

Az elektromos energia megszakadása esetén, vagy gázhiány esetén a léghevítő kikapcsol. A berendezés nem kapcsol vissza automatikusan, hanem újra meg kell ismételnie a begyújtás lépéseit. Ha a léghevítő nem kapcsol be, tanulmányozza a megfelelő (Bekezdés „12. MŰKÖDÉSI RENDELLENESSÉGEK, OKOK, MEGOLDÁSOK”).

▶▶ 7.2. VENTILÁTOR ÜZEMMÓD:

A léghevítő ventilátorként is használható. Csatlakoztassa a léghevítőt az elektromos csatlakozóba és/vagy helyezze be az újratölthető akkumulátort és állítsa az „O/I” kapcsolót „I” állásba (Ábra 18).

MEGJ: Mielőtt fűtő üzemmódból ventilátor üzemmódba lépne át, kapcsolja ki a készüléket (Bekezdés „9. KIKAPCSOLÁS”).

▶▶▶ 8. HŐTELJESÍTMÉNY BEÁLLÍTÁSA

A hőteljesítményt a léghevítő alján lévő karral szabályozhatja (Ábra 23).

▶▶▶ 9. KIKAPCSOLÁS

▶ 9.1. Zárja el a gázpalackot (Ábra 24).

▶ 9.2. Hagyja működni a ventilátort körülbelül 60 másodpercig, így elkerülheti a túlmelegedés miatti belső sérüléseket (léghevítő belső hűtése).

▶ 9.3. Állítsa a „O/I” kapcsolót „I” állásba (Ábra 25).

▶ 9.4. Válassza le a léghevítőt az elektromos hálózatról (Ábra 26) és/vagy távolítsa el az újratölthető akkumulátort az elektromos

hálózatról vagy csatlakoztassa le az akkumulátort (Ábra 27).

▶ 9.5. Csatlakoztassa le a léghevítőt a gázellátásról (Ábra 28-29-30).

▶▶▶ 10. TISZTÍTÁS ÉS KARBANTARTÁS

Ellenőriztesse évente legalább egyszer és/vagy szükség szerint a műszaki szolgálattal a léghevítő működését. A használatot követően tisztítsa ki a készüléket, és csak utána rakja el.

▶ 10.1. Bármilyen karbantartás, tisztítás vagy javítás előtt kapcsolja le a léghevítőt (Bekezdés „9. KIKAPCSOLÁS”).

▶ 10.2. A tisztítás kizárólag a léghevítő levegő beszívójára (hátsó oldal) vonatkozik.

▶ 10.3. A léghevítő újbóli használatakor ellenőrizze a gázcső állapotát; kétség esetén kérje műszaki szervizszolgálat beavatkozását.

▶ 10.4. Engedély nélkül ne végezzen beavatkozást.

▶▶▶ 11. AKKUMULÁTOR TÁROLÁSA ÉS SZÁLLÍTÁSA

ALACSONY HŐMÉRSÉKLETŰ HELYEN HOSSZABB IDEIG NE TÁROLJA AZ AKKUMULÁTOROT.

Az újratölthető Li-ion akkumulátorok megfelelnek a vonatkozó jogszabályoknak, és veszélyes árunak számítanak. Az újratölthető akkumulátorok a felhasználó közúton szállíthatja, további óvintézkedés nélkül. A harmadik személy által történő szállításnak (pl légi szállítás és/vagy szállítmányozás) az érvényben lévő követelmények szerint kell történnie. Az újratölthető akkumulátorokat kizárólag akkor szállítsa, ha nem sérült a ház. Fedje be a fedetlen részeket öntapadó szalaggal, és csomagolja be az újratölthető akkumulátort úgy, hogy a csomagolás ne mozduljon el. Kérjük vegye figyelembe az esetleges helyi jogi szabályokat.

►► 12. MŰKÖDÉSI RENDELLENSÉGEK, OKOK, MEGOLDÁSOK

MŰKÖDÉSI RENDELLENSÉGEK	OKOK	MEGOLDÁS
A motor nem indul el	Hiányzó feszültség (hálózati áramellátás esetén)	1. Ellenőrizze a hálózatot 2. Forduljon a vevőszolgálathoz
	Akkumulátor lemerült	1. Töltse fel az akkumulátort 2. Műszaki szervizszolgálat
	Tápellátás vagy hibás akkumulátor	Műszaki szervizszolgálat
	A motor meghibásodott	Műszaki szervizszolgálat
A láng nem gyullad be	Kiürült a gázpalack	Cserélje ki a gázpalackot (Bekezdés 5)
	A szabályozó biztonsági szelepe beragadt	1. Nyomja meg a szabályozót kioldó gombot (Ábra 13) 2. Műszaki szervizszolgálat
	A gázcsap el van zárva	Nyissa ki a gázcsapot (Ábra 12)
	A begyújtó áramkör hibás	Műszaki szervizszolgálat
A láng nem marad égve	Nem nyomta elég hosszan a gázgombot	Nyomja meg hosszan a gáz nyomógombot (Bekezdés 7.1.5.)
	Hibás léghevítő	Műszaki szervizszolgálat
A láng működés közben kialszik	Nincs elég gáz	1. Cserélje ki a gázpalackot (Bekezdés 5) 2. Műszaki szervizszolgálat
	Léghevítő túlmelegedése	1. Tisztítsa meg a levegő beszívó nyílást (a készülék hátulján) 2. Műszaki szervizszolgálat
	Hibás léghevítő	Műszaki szervizszolgálat

POVZETEK ODSTAVKOV

1...	OPIS
2...	OPOZORILA
3...	VRSTA GORIVA
4...	OPIS ARTIKLOV
5...	PRIKLOP IN MENJAVA PLINSKE JEKLENKE
6...	ELEKTRIČNO NAPAJANJE
7...	VKLOP
8...	NASTAVITEV TOPLOTNE MOČI
9...	IZKLOP
10...	ČIŠČENJE IN VZDRŽEVANJE
11...	SHRANJEVANJE IN TRANSPORT BATERIJE
12...	ANOMALIJE PRI DELOVANJU - VZROKI IN REŠITVE

POMEMBNO: PRED MONTAŽO, PRVIM ZAGONOM IN VZDRŽEVALNIMI POSEGI NA TEM GENERATORJU PREBERITE UPORABNIŠKI PRIROČNIK IN SE SEZANITE Z NJEGOVO VSEBINO. NAPAČNA UPORABA GENERATORJA IMA LAHKO ZA POSLEDICO HUDE POŠKODBE. TA PRIROČNIK SKRBNO SHRANITE IN GA IMEJTE VEDNO PRI ROKI.

►►► 1. OPIS

To je prenosni grelnik zraka na tekoči plin, za katerega je značilen popolni izkoristek goriva, preko izmenjave toplote z vnaprejšnjim mešanjem sesanega zraka in zgorevalnih plinov. Ima priročen ročaj za lažji prenos in premikanje. Lahko se napaja s pomočjo adapterja, ali pa s pomočjo baterij za ponovno polnjenje. Izdelan je v skladu z določbami standarda EN 1596.

►►► 2. OPOZORILA

►⚠️ **POMEMBNO:** Naprave ne uporabljajte za ogrevanje bivanjskih prostorov stanovanjskih objektov; pri uporabi v javni stavbah upoštevajte nacionalne predpise.

►⚠️ **POMEMBNO:** Tega grelnika naj ne uporabljajo osebe z zmanjšanimi fizičnimi, senzoričnimi ali umskimi sposobnostmi (vključno z otroki) oziroma s premalo izkušnjami ali znanja, razen če jih pri tem nadzoruje ali usmerja oseba, zadolžena za njihovo varnost. Otroke je treba imeti pod nadzorom, da se z grelnikom ne bi igrali.

Živali morate držati na varni razdalji od grelnika.

►⚠️ **POMEMBNO:** Neprimerna uporaba tega grelnika lahko povzroči poškodbe, tudi smrtne, opekline, eksplozijo, električni udar ali zastrupitev. Prvi znaki zastrupitve z ogljikovim monoksidom so podobni znakom gripe, z glavobolom, vrtoglavico in/ali slabostjo. Ti znaki so lahko posledica nepravilnega delovanja kotla. **PRI OMENJENIH ZNAKIH TAKOJ POJDITE NA SVEŽI ZRAK** in se obrnite na servisno osebje zaradi popravila grelnika.

►⚠️ **POMEMBNO:** Vse posege čiščenja, vzdrževanja in popravil, ki zahtevajo dostop do nevarnih delov, mora izvesti proizvajalec, njegova servisna služba ali podobno usposobljena oseba, tako da se prepreči vsakršno tveganje, četudi je pri tem predviden izklop električnega napajanja.

► **2.1.** Za zagotovitev pravilne uporabe grelnika in prihranek goriva upoštevajte vse lokalne predpise in veljavno zakonodajo.

► **2.2.** Grelnik za delovanje potrebuje primerno kroženje zraka. Zato ga je potrebno uporabljati na prostem ali v prostorih, kjer je zagotovljena stalna izmenjava zraka. Dobro prezračevanje je zagotovljeno takrat, ko se prostornina prostora izračuna na osnovi toplotne moči, po formuli 1m^3 na vsakih 100W moči. Priporočena prostornina prostora v nobenem primeru ne sme biti manjša od 100m^3 . Dobro prezračevanje je zagotovljeno z odprtino, izdelano po formuli 25cm^2 na kW toplotne moči, z najmanj 250cm^2 , ki mora biti enakomerno razporejena med zgornjim in spodnjim delom prostora. Pri nameščanju upoštevajte veljavne nacionalne predpise, vključno s tehničnimi standardi in določbami s področja preprečevanja nezgod in požarov.

► **2.3.** Grelnik je dovoljeno uporabljati le za ogrevanje zraka (način ogrevanje), ali za pihanje zraka (način ventilacija). Strogo upoštevajte ta navodila za uporabo.

► **2.4.** Proizvajalec zavrača vsakršno odgovornost za poškodbe predmetov in/ali oseb zaradi neprimerne uporabe grelnika.

► **2.5.** Grelnik napajajte izključno z vrsto goriva, ki je posebej določeno na tablici s podatki, ki se nahaja na grelniku.

► **2.6.** Grelnik priključite le na električno omrežje z ustreznim stikalom na diferenčni tok in primerno ozemljitvijo.

► **2.7.** Uporabljajte samo podaljške ustreznega preseka z ozemljitvenim vodnikom.

► **2.8.** Grelnik mora delovati na ravni, stabilni in negoreči površini, tako da se izognete nevarnostim požara.

► **2.9.** Grelnik je strogo prepovedano uporabljati v polkletnih prostorih in pod zemljo.

► **2.10.** Tega grelnika se ne sme uporabljati v prostorih z eksplozivnim prahom, hlapi, plini, gorivi, topili, laki.

► **2.11.** V primeru uporabe grelnika ob platnenih ceradah, zavesah ali podobnih pokravnih materialih vam svetujemo uporabo dodatnih negorljivih zaščit. Poskrbite za ustrezno oddaljenost od vnetljivih materialov (blago, papir, les ipd.) ali toplotno nestabilnih snovi (vključno z napajalnim kablom) ter od vročih delov grelnika; ta razdalja naj v nobenem primeru ne bo manjša od 2,5m.

► **2.12.** Plinsko jeklenko postavite v zaščiteno položaj, za napravo (Sl. 1). Grelnika nikoli ne usmerjajte proti plinski jeklenki (Sl. 2).

► **2.13.** Prepovedano je iz kakršnega koli razloga delno ali v celoti mašiti odprtine za zajemanje zraka (na zadnji strani) in/ali tiste za odvajanje zraka (na prednji strani (Sl. 3)). Izogibajte se uporabi kakršnih koli zračnih kanalov od grelnika oziroma do le-tega. Pazite, da ne bi mašili rež za zajemanje zraka na dnu podnožja (pri modelih, kjer je uporabljena ta rešitev).

► **2.14.** V primeru neuspešnega ali nepravilnega vžiga generatorja si oglejte ustrezn del (Odst. "12. ANOMALIJE PRI DELOVANJU - VZROKI IN REŠITVE").

► **2.15.** Ko grelnik deluje, se ga ne sme premikati, z njim kakorkoli ravnati, prav tako pa se na njem ne sme izvajati kakršnih koli vzdrževalnih del.

► **2.16.** Pri kakršni koli uporabi ali prestavljanju grelnika pazite, da ne bi poškodovali (zmečkali, upognili, zvili, napeli, itd.) gibkih plinskih cevi.

► **2.17.** Če zaznate vonj po plinu, grelnik takoj ugasnite, zaprite dotok plina z jeklenke, izključite vtič adapterja z omrežja in/ali odstranite baterijo za ponovno polnjenje in nato kontaktirajte servisno službo.

► **2.18.** V primeru menjave plinske cevi uporabite samo gibke cevi, primerne delovnemu tlaku, pri tem pa upoštevajte nacionalno zakonodajo. Plinska cev mora biti dolga 1,5m.

► **2.19.** Ko grelnika ne uporabljate, izvlecite vtič adapterja iz omrežne vtičnice in/ali odstranite baterijo za ponovno polnjenje, zaprite plinsko napajanje in izključite plinsko cev z grelnika, ter zamašite vhod plina na grelniku.

► **2.20.** Servisna služba naj vsaj enkrat letno oziroma po potrebi preveri delovanje grelnika.

► **2.21.** Prepričajte se, da je grelnik ugasnjen, preden povežete vtič adapterja in/ali vstavite baterijo za ponovno polnjenje, tako da preprečite vsako tveganje.

► **2.22.** Uporabljajte izključno originalne, posebej predvidene baterije za ponovno polnjenje. Neprimerna uporaba baterij za ponovno polnjenje lahko povzroči poškodbe, tudi smrtne, opekline, eksplozijo, električni udar ali zastrupitev.

► **2.23.** Ohranite ustrezno varnostno razdaljo med nepovezано baterijo za ponovno polnjenje in sponkami, kovanci, ključi, žebliji in ostalimi majhnimi kovinskimi predmeti,

ki bi lahko povzročili morebitni kratek stik. Morebitni kratek stik med kontakti baterije za ponovno polnjenje lahko povzroči poškodbe ali življenjsko nevarnost za osebe, ožganine, opekline, eksplozije, itd.

► **2.24.** Nepravilna uporaba baterije lahko povzroči puščanje tekočine iz baterije. Strogo se izogibajte stika s tekočino. V primeru naključnega kontakta, temeljito izperite z vodo. V primeru, da tekočina pride v stik z očmi, takoj kontaktirajte zdravnika. Tekočina iz baterije lahko povzroči draženje kože ali opekline.

► **2.25.** Nepravilna uporaba baterije lahko povzroči uhajanje hlapov iz baterije. Strogo se izogibajte vdihavanju teh hlapov. Prezračite prostor ter se v primeru težav zaradi naključnega vdihavanja oglasite pri zdravniku. Hlapi lahko dražijo dihalne poti.

► **2.26.** Z namenom preprečevanja resnih tveganj, ne poskušajte odpirati/demontirati baterije za ponovno polnjenje.

► **2.27.** Z namenom preprečevanja resnih tveganj, zaščitite baterijo za ponovno polnjenje pred toploto (na primer pred neprekinjenimi sončnimi žarki, ognjem, vodo, vlago, itd.).

► **2.28.** Uporabljajte baterijo za ponovno polnjenje, ki je specifična za ta grelnik, saj le tako preprečite nevaren previsok tok.

► **2.29.** Uporabljajte izključno originalne baterije za ponovno polnjenje, ustrezne glede na napetost, ki je navedena na tehnični tablici grelnika. V primeru uporabe drugih baterij za ponovno polnjenje (na primer imitacije, predelane ali konkurenčne baterije, obstaja tveganje za poškodbe in/ali eksplozije).

► **2.30.** Baterije za ponovno polnjenje polnite izključno z originalnim polnilnikom. Z namenom preprečevanja požarov in eksplozij, vsaka baterija za ponovno polnjenje potrebuje poseben specifični polnilnik.

► **2.31.** Uporabljajte le tiste načine električnega napajanja, ki so predvidene v tem priročniku. Za prehod iz enega načina v drugega izvršite sekvenco izklopa (Odst. "9. IZKLOP") Prepovedano je spreminjati način napajanja grelnika, ko le-ta deluje, tako preprečite resno škodo.

► ► ► 3. VRSTA GORIVA

Uporabljajte le plin kategorije I₃B/P.

► ► ► 4. OPIS ARTIKLOV

► ► 4.1. ADAPTER (kjer je prisoten):

ADAPTER NIMA FUNKCIJE POLNILNIKA BATERIJ.

(Sl. 4) Grelnik lahko deluje povezan na električno omrežje s pomočjo naprave, ki se imenuje adapter. Adapter je projektiran za sprejemanje izmeničnega monofaznega toka na vhodu, ki ga dobavlja električno omrežje, in njegovo spreminjanje v tok, ki je ustrezen za delovanje grelnika, na izhodu. Potrebno je upoštevati parametre delovanja adapterja (glejte tablico s podatki, ki se nahaja na adapterju). Adapter uporabljajte le na popolnoma suhih mestih, zaščiteneh pred prahom, ter izključno za napajanje tega grelnika. Redno preverjajte stanja kabla adapterja, saj le tako preprečite hude poškodbe. Spoštujte vsa opozorila, navedena v tem priročniku, ki se nanašajo na adapter.

► ► 4.2. BATERIJA (kjer je prisotna):

(Sl. 5) Grelnik lahko deluje avtonomno s pomočjo originalne Li-ionske baterije za ponovno polnjenje, ne da bi ga bilo potrebno priključiti na električno omrežje. Baterija za ponovno polnjenje je dobavljena delno napolnjena, zato svetujemo, da jo pred uporabo popolnoma napolnite. Za napajanje grelnika uporabljajte le originalne baterije za ponovno polnjenje. Spoštujte vsa opozorila navedena v tem priročniku, ki se nanašajo na baterijo.

► ► 4.3. POLNILNIK (kjer je prisoten):

(Sl. 6) Polnilnik za baterije je namenjen polnjenju originalnih baterij za ponovno polnjenje. Potrebno je upoštevati parametre delovanja polnilnika (glejte tablico s podatki, ki se nahaja na polnilniku). Polnilnik za baterije uporabljajte le na suhih in pred prahom zaščiteneh mestih, polnite izključno originalne baterije za ponovno polnjenje, uporabne za polnjenje tega grelnika. Polnilnik baterije je predviden za avtomatsko kontrolo pravilnega cikla polnjenja, ko se poveže baterija za ponovno polnjenje (Sl. 7). Serija svetlobnih dokumentov na polnilniku omogoča podrobno diagnostiko med fazo iskanja baterije (Sl. 8). Spoštujte vsa opozorila navedena v tem priročniku, ki se nanašajo na polnilnik za baterije.

▶▶▶ 5. PRIKLOP IN MENJAVA PLINSKE JEKLENKE

Plinsko jeklenko je treba menjati na prostem, daleč od virov toplote in odprtega ognja.

Za priklop plinske jeklenke na grelnik je treba uporabiti naslednjo opremo:

- Gibko cev za tekoči plin.
- Regulator tlaka za tekoči plin z varnostnim ventilom.

PREVERITE STANJE OHRANJENOSTI PLINSKE NAPAVALNE CEVI. ČE BI JO BILO TREBA ZAMENJATI, UPORABITE IZKLJUČNO GIBKO CEV, PRIMERNO DELOVNEMU TLAKU, PRI TEM PA UPOŠTEVAJTE NACIONALNO ZAKONODAJO.

▶ Za priklop grelnika na plinsko jeklenko je potrebno:

POZOR: VSI NAVOJI SO LEVI, TO POMENI, DA JIH JE TREBA PRIVIJATI V NASPROTNI SMERI URINEGA KAZALCA.

▶ **5.1.**Priviti plinsko cev na priključek grelnika (Sl. 9).

▶ **5.2.**Namestiti regulator pritiska na plinsko jeklenko. Prepričajte se, da je na regulatorju prisotno tesnilo (če vrsta priključka to predvideva) (Sl. 10).

▶ **5.3.**Povezati plinsko cev na regulator pritiska (Sl. 11).

▶ **5.4.**Odpreti ventil na plinski jeklenki (Sl. 12).

▶ **5.5.**Pritisnite gumb za odblokiranje regulatorja (Sl. 13). **Preverite tesnenje priključkov z milnico: pojav mehurčkov pomeni morebitno puščanje plina (Sl. 14).** Med seboj lahko povežete več plinskih jeklenk, tako da zagotovite večjo avtonomijo. Pravilni delovni tlak (glejte tablico s podatki, ki je pritrjena na grelniku) uravnava regulator, ki je priložen napravi, ali enakovredni model slednjega.

**▶▶▶ 6. ELEKTRIČNO NAPAJANJE
UPORABITE LE NAČINE NAPAJANJA,
KI SO OPISANI SPODAJ. ZA PREHOD IZ
ENEGA NAČINA V DRUGEGA IZVRŠITE
SEKVENCO IZKLOPA (Odst. "9. IZKLOP").
NAČIN NAPAJANJA JE PREPOVEDANO
SPREMINJATI, KO GRELNİK DELUJE.**

**▶▶ 6.1. GRELNİK, KI SE NAPAJA S
POMOČJO ADAPTERJA (kjer je prisoten):
POVEZAVA NA ELEKTRIČNO OMREŽJE
SE IZVEDE V SKLADU Z VELJAVNIMI
LOKALNIMI PRAVILI.**

Preden grelnik povežete na električno omrežje, se prepričajte:

▶ **6.1.1.**Električno omrežje mora biti opremljeno z diferencialnim stikalom in ustrezno ozemljitvijo.

▶ **6.1.2.**Napetost in frekvenca napajanja morata biti pravilni (glejte tablico, ki je nahaja na adapterju).

Adapter povežite z grelnikom (Sl. 15), nato pa adapter priključite na električno omrežje (Sl. 16).

**▶▶ 6.2. GRELNİK SE NAPAJA Z
BATERIJO ZA PONOVO POLNJENJE
(kjer je prisotna):**

UPORABLJAJTE IZKLJUČNO ORIGINALNE BATERIJE ZA PONOVO POLNJENJE, USTREZNE GLEDE NA NAPETOST, KI JE NAVEDENENA NA TEHNIČNI TABLICI GRELNİKA.

Vstavite baterijo za ponovno polnjene v ležišče za baterije, ki se nahaja na spodnji strani telesa grelnika (Sl. 17).

Baterija za ponovno polnjenje (dobavljena v embalaži in/ali opsijsko, odvisno od modela), je dobavljena delno napolnjena. Za zagotavljanje celotne moči baterije za ponovno polnjenje, je potrebno pred prvo uporabo popolnoma napolniti baterijo s pomočjo originalnega polnilnika (vsaka baterija potrebuje posebni tip polnilnika baterij). Baterija za ponovno polnjenje je opremljena s kontrolo temperature "NTC", ki omogoča polnjenje izključno v temperaturnem razponu med 0°C in 40°C. Tako dosežete dolgo trajanje moči baterije za ponovno polnjenje.

**▶▶ 6.3. GRELNİK NAPAJAN PREKO
ADAPTERJA Z VSTAVLJENO BATERIJO
(kjer je prisotna):**

Adapter povežite z grelnikom (Sl. 15), nato pa adapter priključite na električno omrežje (Sl. 16) (glejte tablico s podatki, ki se nahaja na grelniku). Grelnik avtomatsko izključi baterijo za ponovno polnjenje. ADAPTER NIMA FUNKCIJE POLNILNIKA BATERIJ, kar

pomeni, da se, ko je grelnik napajan preko električnega omrežja, baterija za ponovno polnjenje ne polni.

▶▶▶ 7. VKLOP

▶▶ 7.1. NAČIN OGREVANJA:

▶ 7.1.1. Prestavite stikalo „I/O“ v položaj „I“ (Sl. 18).

▶ 7.1.2. Počakajte nekaj sekund.

▶ 7.1.3. Pritisnite gumb za plin do konca in ga držite pritisnjenega (Sl. 19).

▶ 7.1.4. Večkrat in do konca pritisnite piezoelektrično vžigalo (Sl. 20), pri čemer je potrebno držati pritisnjen gumb za plin (Sl. 19).

▶ 7.1.5. Po vžigu plamena držite pritisnjen gumb za plin za približno 15 sekund (Sl. 21).

▶ 7.1.6. Izpustite gumb za plin (Sl. 22).

V primeru izpada električne napetosti ali pomanjkanja plina se naprava ugasne. Ponovni vžig grelnika ni samodejen, temveč ga je treba izvesti ročno, s ponovitvijo postopka vžiga. Če se grelnik ne prižge, si oglejte ustrezni del v priročniku (Odst. “12. ANOMALIJE PRI DELOVANJU - VZROKI IN REŠITVE”).

▶▶ 7.2. NAČIN VENTILACIJE:

Grelnik se lahko uporablja tudi kot ventilator. Povežite grelnik z električno vtičnico in/ali vstavite baterijo za ponovno polnjenje in prestavite stikalo „O/I“ v položaj „I“ (Sl. 18).

OPOMBA: Ko grelnik deluje v načinu ogrevanja, pred prehodom na način ventilacije izvedite pravilni postopek izklopa (Odst. “9. IZKLOP”).

▶▶▶ 8. NASTAVITEV TOPLOTNE MOČI

Toplotno moč je mogoče nastaviti s pomočjo okroglega gumba, ki se nahaja na telesu grelnika (Sl. 23).

▶▶▶ 9. IZKLOP

▶ 9.1. Zaprite plinsko jeklenko (Sl. 24).

▶ 9.2. Ventilator pustite delovati približno 60 sekund, da preprečite notranje poškodbe zaradi pregrevanja (notranje hlajenje generatorja).

▶ 9.3. Prestavite stikalo „I/O“ v položaj „O“ (Sl. 25).

▶ 9.4. Grelnik izključite iz omrežja (Sl. 26) in/ali odstranite baterijo za ponovno polnjenje z električnega omrežja ali prekinite povezavo z baterijo (Sl. 27).

▶ 9.5. Prekinite povezavo med grelnikom in cevko za napajanje plina (Sl. 28-29-30).

▶▶▶ 10. ČIŠČENJE IN VZDRŽEVANJE

Enkrat letno oziroma po potrebi naj servisna služba preveri delovanje grelnika. Pred shranjevanjem grelnika po uporabi ga ne pozabite očistiti.

▶ 10.1. Pred kakršnimi koli vzdrževalnimi deli, čiščenjem ali popravili na napravi izvedite sekvenco izklopa (Odst. “9. IZKLOP”).

▶ 10.2. Čiščenje se nanaša samo na zračni priključek (na zadnji strani) generatorja.

▶ 10.3. Ko grelnik ponovno uporabite, preverite, ali je plinska cev brezhibna; če ste glede njene brezhibnosti v dvomih, zahtevajte poseg servisne službe.

▶ 10.4. Ne izvajajte nedovoljenih posegov.

▶▶▶ 11. SHRANJEVANJE IN TRANSPORT BATERIJE

BATERIJ NE SHRANJUJTE NA MESTIH, KJER JE TEMPERATURA NIZKA, SKOZI DALJŠE OBDOBJE.

Li-ionske baterije za ponovno polnjenje so podvržene zakonskim zahtevam, ki se nanašajo na nevarne tovore. Baterije za ponovno polnjenje lahko uporabnik prevaža po cesti brez dodatnih previdnostnih ukrepov. V primeru pošiljanja preko tretjih oseb (na primer zračni transport in/ali odpravnik tovora), morajo biti spoštovane posebne zahteve, v skladu z veljavnimi pravili. Baterije za ponovno polnjenje pošiljajte le, če telo baterije ni poškodovano. Odprte kontakte prekrijte z lepilnim trakom in baterijo zavijte tako, da se v zavoju ne bo premikala. Prosimo vas, da upoštevate tudi morebitne dodatne nacionalne norme.

►►► 12. ANOMALIJE PRI DELOVANJU - VZROKI IN REŠITVE

ANOMALIJE PRI DELOVANJE	VZROKI	REŠITVE
Motor se ne zažene	Pomanjkanje napetosti (če je napajan preko omrežja)	1.Preverite omrežno napeljavo 2.Pokličite serviserja
	Prazna baterija (če je napajan preko baterije)	1.Napolnite baterijo 2.Pokličite serviserja
	Napajanje ali baterija sta okvarjena	Pokličite serviserja
	Motor okvarjen	Pokličite serviserja
Plamen se ne prižge	Plinska jeklenka prazna	Zamenjajte plinsko jeklenko (Odst. 5)
	Varnostni ventil regulatorja blokiran	1.Pritisnite gumb za sprostitvev plina regulatorja (Sl. 13) 2.Pokličite serviserja
	Ventil plinske jeklenke je zaprt	Odprite ventil plinske jeklenke (Sl. 12)
	Vžigalni tokokrog je okvarjen	Pokličite serviserja
Plamen ne ostane prižgan	Gumba za plin ne zadržite pritisnjenega dovolj dolgo	Gumb za plin zadržite pritisnjen dlje časa (Odst. 7.1.5.)
	Grelnik okvarjen	Pokličite serviserja
Izklop plamena med delovanjem	Nezadostno napajanje plina	1.Zamenjajte plinsko jeklenko (Odst. 5) 2.Pokličite serviserja
	Pregrevanje grelnika	1.Očistite zračni priključek (na zadnji strani) 2.Pokličite serviserja
	Grelnik okvarjen	Pokličite serviserja

ÖZET PARAGRAFLAR

1...	AÇIKLAMA
2...	UYARILAR
3...	YAKIT TÜRÜ
4...	PARÇALARIN AÇIKLAMASI
5...	GAZ TÜPÜNÜN BAĞLANMASI VE DEĞİŞTİRİLMESİ
6...	ELEKTRİK GÜÇ BESLEMESİ
7...	AÇMA
8...	TERMİK GÜÇ AYARI
9...	KAPATMA
10...	TEMİZLİK VE BAKIM
11...	BATARYANIN SAKLANMASI VE TAŞINMASI
12...	ÇALIŞMA ANORMALLİKLERİ, SEBEPLERİ VE ÇÖZÜMLERİ

ÖNEMLİ: BU JENERATÖRÜN MONTAJ, ÇALIŞTIRMA VEYA BAKIMINI YAPMADAN ÖNCE BU UYGULAMA KILAVUZUNU OKUYUN VE ANLAYIN. JENERATÖRÜN HATALI KULLANIMI AĞIR YARALANMALARA NEDEN OLABİLİR. BU KILAVUZU GELECEKTE DANIŞMAK ÜZERE MUHAFAZA EDİN.

tr

►►► 1. AÇIKLAMA

Bu, yakıt ürünleri ile emilen havanın doğrudan karıştırılması ile oluşan ısı alışverişi aracılığıyla yakıtın tamamının kullanıldığı, sıvı gaz ile çalışan taşınabilir bir ısıtıcıdır. Taşınmasını ve hareketini kolaylaştırmak için pratik bir kulp ile donatılmıştır. Bu ısıtıcı özel bir güç beslemesi tarafından veya doldurulabilir bir batarya sistemi tarafından beslenebilir. EN 1596 standardına uygun olarak üretilmiştir.

►►► 2. UYARILAR

►⚠️ÖNEMLİ: Konut binalarının oturulan alanlarının ısıtılmasında kullanmayın; kamu binalarında kullanım için ulusal düzenlemelere uyunuz.

►⚠️ÖNEMLİ: Bu cihaz, düşük fiziksel, zihinsel ve algılama kapasiteli veya güvenliklerinden sorumlu bir kişinin gözetimi altında olmaksızın uzman olmayan kişilerin (küçük çocuklar dahil) kullanımına uygun değildir. Küçük çocukların ısıtıcıyla oynamadıklarından emin olmak için kontrol edilmelidirler. Hayvanları ısıtıcıdan güvenlik mesafesinde tutun.

►⚠️ÖNEMLİ: Bu ısıtıcının uygun olmayan kullanımı kişilere zarar verebilir veya hayati tehlikelere, yaralanmalara, yanıklara, patlamalara, elektrik şoklarına veya zehirlenmelere neden olabilir. Karbonmonoksit zehirlenmesinin ilk belirtileri baş ağrısı, baş dönmesi ve/ya mide bulantısı ile gribe benzer. Bu belirtiler ısıtıcının kusurlu işleyişinden kaynaklanmış olabilir. **BU BELİRTİLERİN GÖRÜLMESİ DURUMUNDA DERHAL AÇIK HAVAYA ÇIKIN** ve ısıtıcıyı bir teknik servis merkezinde tamir ettirin.

►⚠️ÖNEMLİ: Tehlikeli bölgelere erişimi gerektiren bütün temizlik, bakım ve onarım işlemleri, elektrik şebekesi ile bağlantının kesilmesi öngörülmesine rağmen, her türlü riski önlemek amacıyla, üretici firma, teknik servis merkezi, vasıflı personel veya benzeri nitelikteki kişiler tarafından yapılmalıdır.

► 2.1. Isıtıcının doğru kullanımı ve yakıtın saklanması için, geçerli talimatlar ve yerel kuralların tümüne uyun.

► 2.2. Isıtıcının çalışması için yeterli bir hava değişimi gerekmektedir. Dolayısıyla, açık havada veya yeterli ve devamlı hava

değişiminin olduğu odalarda kullanılmalıdır. İyi bir havalandırma, oda hacmi ısıtma kapasitesi üzerinden her 100W güç için 1m³ formülü ile hesaplandığında garanti edilir. Hiçbir şekilde tavsiye edilen oda hacmi 100m³'ün altında olmamalıdır. Yeterli bir havalandırma, odanın alt ve üst tarafına eşit şekilde dağıtılmış ve en az 250cm² olacak şekilde, ısıtma kapasitesi kW başına 25cm² formülünü sağlayan açıklık ile garanti edilir. Kurulum için, iş kazası önleme ve yangınla mücadele konusundaki teknik standart ve talimatlar dahil yürürlükteki ulusal standartlar geçerlidir.

► **2.3.** Isıtıcı, yalnızca havayı ısıtmak için (ısıtıcı modu), veya havayı hareket ettirmek için (havalandırma modu) kullanılmalıdır. Kullanım için işbu talimatlara dikkatlice uyun.

► **2.4.** Üretici firma, ısıtıcının uygunsuz kullanılmasından kaynaklanan, kişilere gelen veya maddi zararlara ait her türlü sorumluluğu reddeder.

► **2.5.** Isıtıcıyı yalnızca ısıtıcının üzerinde bulunan plakada belirtilen yakıt türü ile besleyin.

► **2.6.** Isıtıcıyı sadece diferansiyel şalter ve uygun toprak hattı bağlantısına uygun şekilde sahip elektrik şebekelerine bağladığınızdan emin olun.

► **2.7.** Sadece yeterli kesitli ve toprak hatlı uzatmalar kullanın.

► **2.8.** Isıtıcı, yangın risklerini önlemek için düz, dengeli ve yanmaz bir yüzeyde çalıştırılmalıdır.

► **2.9.** Isıtıcının bodrum katındaki veya toprak seviyesinin altındaki mekanlarda kullanımı kesinlikle yasaktır.

► **2.10.** Isıtıcı, patlayıcı toz, duman, gaz, yakıt, solvent, cila bulunan mekanlarda kullanılmamalıdır.

► **2.11.** Isıtıcı branda, perde veya benzeri örtü malzemelerinin yakınında kullanılıyorsa, ilave yanmaz türde korumalar kullanılması tavsiye edilir. Yanıcı (kumaş, kağıt, ahşap, vb.) veya ısı dayanıksız (eğer varsa, güç kablosu dahil) malzemelerin ısıtıcının sıcak kısımlarından en az 2,5mt olacak şekilde yeterli mesafeyi korumaya dikkat edin.

► **2.12.** Gaz tüpünü cihazın arkasında, korunaklı bir yere yerleştirin (Şek.1). Isıtıcı asla tüpe dönük olmamalıdır (Şek. 2).

► **2.13.** Hava girişinin (arka taraf) ve/veya hava çıkış ağzının (ön taraf) herhangi bir nedenle kısmen veya tamamen kapatılması yasaktır (Şek. 3). Isıtıcının hava kanallarını

kullanmaktan kaçının. Taban kısmının altında bulunan (bu çözümü uygulayacak modellerde) hava emiş mazgallarının tıkanmadığından emin olun.

► **2.14.** Açılmaması, veya ısıtıcının hatalı açılması durumunda ilgili bölüme danışın (Parag. "12. ÇALIŞMA ANORMALLİKLERİ, SEBEPLERİ VE ÇÖZÜMLERİ").

► **2.15.** Isıtıcı, çalışır durumdayken yeri değiştirilmemeli, ele alınmamalı, herhangi bir bakım işlemi yapılmamalıdır.

► **2.16.** Isıtıcının her türlü kullanımı veya duruşu sırasında, esnek gaz hortumunun hasar görmemesine (ezilmemesine, katlanmamasına, burkulmamasına, gerilmemesine, vb.) dikkat ediniz.

► **2.17.** Eğer gaz kokusu duyulursa ısıtıcıyı hemen kapatın, gaz tüpünü kapatın, şebekeden besleme fişini çıkarın ve/veya doldurulabilir bataryayı çıkarın ve sonrasında teknik servis ile iletişime geçin.

► **2.18.** Gaz hortumunun değiştirilmesi halinde, sadece ulusal düzenlemelere ve çalışma basıncına uygun esnek hortumlar kullanın. Gaz hortumunun uzunluğu 1,5mt olmalıdır.

► **2.19.** Isıtıcı kullanılmadığında, şebekeden besleme fişini çıkarın ve/veya doldurulabilir bataryayı çıkarın, gaz beslemesini kapatın, ısıtıcıdan gaz hortumunu çıkarın ve ısıtıcıya gaz girişini kapatın.

► **2.20.** En az yılda bir kere ve/veya ihtiyaca göre, ısıtıcının doğru çalışmasını teknik servis merkezine kontrol ettirin.

► **2.21.** Her türlü riski önlemek için besleme elektrik fişini bağlamadan ve/veya doldurulabilir bataryaları takmadan önce ısıtıcının kapalı olduğundan emin olun.

► **2.22.** Yalnızca öngörülen orjinal doldurulabilir bataryaları kullanın. Bu ısıtıcının uygun olmayan kullanımı kişilere zarar verebilir veya hayati tehlikelere, yaralanmalara, yanıklara, patlamalara, elektrik şoklarına veya zehirlenmelere neden olabilir.

► **2.23.** Devre dışı olan doldurulabilir batarya arasında uygun bir güvenlik mesafesini muhafaza edin ve olası bir kısa devreye neden olabilecek madeni paralar, anahtarlar, çiviler, vidalar ve diğer küçük metal nesnelere durdurun Doldurulabilir bataryanın kontakları arasında olası bir kısa devre kişilere zarar verebilir veya hayati tehlikelere, yaralanmalara, yanıklara, patlamalara, vb. neden olabilir.

► **2.24.**Doldurulabilir bataryanın yanlış kullanımı sıvının bataryadan çıkışına sebep olabilir. Temastan kesinlikle kaçının. Kaza eseri temas olması durumunda düzgün şekilde su ile yıkayın. Sıvının gözlerle teması halinde anında doktora başvurun. Doldurulabilir bataryadan sıvının çıkması cilt tahrişlerine ve yanıklara sebep olabilir.

► **2.25.**Doldurulabilir bataryanın yanlış kullanımı bataryadan duman çıkışına neden olabilir. Bu dumanları solumaktan kesinlikle kaçının. Temiz hava girmesini sağlayın ve kaza eseri soluma durumunda rahatsızlıklar oluşursa bir doktora danışın. Dumanlar solunum yollarını tahriş edebilirler.

► **2.26.**Ciddi riskleri önlemek için doldurulabilir bataryayı açmayın/kapatmayın.

► **2.27.**Ciddi riskleri önlemek için, doldurulabilir bataryayı ısıdan uzak tutun (örneğin güneş ışınlarından, alevden, sudan, nemden, vb.).

► **2.28.**Tehlikeli aşırı yüklemeleri önlemek için bu ısıtıcıyla yalnızca özel doldurulabilir batarya kullanın.

► **2.29.**Yalnızca orjinal bataryaları ısıtıcının teknik veri tabelasında belirtilen gerilimle kullanın. Diğer doldurulabilir bataryaların kullanımı sırasında (örneğin imitasyon bataryalar, rejenere edilmiş bataryalar, rakip firmaların bataryaları, vb.) yaralanma ve/veya patlama tehlikesi vardır.

► **2.30.**Doldurulabilir bataryayı yalnızca orjinal şarj aletiyle doldurun. Yangın ve patlama riskini önlemek için her batarya özel şarj aleti gerektirir.

► **2.31.**Yalnızca bu kılavuzda öngörülen elektrik beslemesi modunu kullanın. Bir moddan diğerine geçmek için, kapatma sırasını izleyin (Parag. "9. KAPATMA"). Ciddi hasarları önlemek için işlemde olan ısıtıcıda güç beslemesi modunu değiştirmeyin.

► ► ► 3. YAKIT TÜRÜ

Yalnızca I₃B/P kategori gaz kullanın.

► ► ► 4. PARÇALARIN AÇIKLAMASI

► ► 4.1. GÜÇ BESLEYİCİ (mevcut olduğu yerde):

GÜÇ BESLEYİCİ ŞARJ ALETİ FONKSİYONUNA SAHİP DEĞİLDİR.

(Şek. 4) Isıtıcı, güç besleyici olarak adlandırılan bir cihaz aracılığıyla elektrik şebekesine bağlı çalışır. Güç besleyicisi, şebeke tarafından verilen tek fazlı alternatif akımı girişte almak için ve ısıtıcının çalışmasına uygun sürekli akıma çıkışta dönüştürmek için tasarlanmıştır. Güç besleyicinin çalışma parametrelerine uymak gereklidir (güç besleyicisine uygulanmış veri tabelasına bakın). Güç besleyicisini, yalnızca bu ısıtıcıyı beslemek için tamamen kuru ve tozdan korunmuş yerlerde kullanın. Ciddi hasarları önlemek için güç besleyici kablosunun durumunu periyodik olarak kontrol edin. İşbu kılavuzda belirtilen güç besleyicisiyle ilgili tüm uyarılara uyun.

► ► 4.2. BATARYA (mevcut olduğu yerde):

(Şek. 5) Isıtıcı, elektrik şebekesine bağlı olmak zorunda olmadan, Li-ion (Lityum iyon) orjinal doldurulabilir bir batarya ile otonom şekilde çalışabilir. Doldurulabilir batarya kısmen yüklü olarak verilir ve bu nedenle bataryanın kullanımından önce tam bir şarj tavsiye edilir. Isıtıcıyı beslemek için yalnızca orjinal bataryaları kullanın. İşbu kılavuzda belirtilen bataryalarla ilgili tüm uyarılara uyun.

► ► 4.3. ŞARJ ALETİ (mevcut olduğu yerde):

(Şek. 6) Şarj aleti, orjinal doldurulabilir bataryaları doldurmak için tasarlanmıştır. Şarj aletinin çalışma parametrelerine uymak gereklidir (şarj aletine uygulanan veri tabelasına bakın). Güç besleyicisini, bu ısıtıcıyı beslemek için yalnızca orjinal doldurulabilir bataryaları doldurmak için tamamen kuru ve tozdan korunmuş yerlerde kullanın. Şarj aleti, doldurulabilir batarya bağlandığında doğru doldurma devrini otomatikte kullanmak için tasarlanmıştır (Şek. 7). Şarj aleti üzerinde bulunan ışıklı bir gösterge serisi, bataryanın arama aşamasında detaylı bir teşhisine sahip olmasına izin verir (Şek. 8). İşbu kılavuzda belirtilen şarj aletiyle ilgili tüm uyarılara uyun.

►►►5. GAZ TÜPÜNÜN BAĞLANMASI VE DEĞİŞTİRİLMESİ

Gaz tüpü açık havada, ısı kaynaklarından uzak bir yerde, alev bulunmayan bir ortamda değiştirilmelidir.

Gaz tüpünün ısıtıcıya bağlantısı için sadece aşağıdaki aksesuarlar kullanılmalıdır:

•Esnek sıvı gaz hortumu.

•Emniyet valfli sıvı gaz için basınç regülatörü.

BESLEME GAZ HORTUMUNUN SAĞLAMLIĞINI KONTROL EDİN. DEĞİŞTİRİLMESİ GEREKTİĞİNDE, SADECE ULUSAL DÜZENLEMELERE VE ÇALIŞMA BASINCINA UYGUN ESNEK TÜRDE HORTUM KULLANIN.

► Isıtıcıyı gaz tüpüne bağlamak için:

DİKKAT: BÜTÜN DİŞLER SOLAK OLARAK HAZIRLANDIĞINDAN SAAT YÖNÜNÜN TERSİNDE ÇEVİRİLEREK KAPATILIR.

►5.1.Gaz borusunu ısıtıcının rakoruna takın (Şek. 9).

►5.2.Basınç regülatörünü gaz tüpüne takın. Regülatör üzerinde (bağlantı çeşidi bunu öngörüyorsa) conta bulunduğundan emin olun (Şek. 10).

►5.3.Gaz borusunu basınç regülatörüne bağlayın (Şek. 11).

►5.4.Gaz tüpünün vanasını açın (Şek. 12).

►5.5.Regülatör kilit açma tuşuna basın (Şek. 13). **Sabunlu su ile rakorların su geçirmezliğini kontrol edin: balonların oluşması olası gaz kaçaklarını bildirecektir (Şek. 14).** Daha uzun süre kullanım için birden fazla tüp birbirine bağlanabilir. Doğru çalışma basıncı (ısıtıcı üzerindeki veri levhasına bakın) tedarik dahilindeki veya benzer modele sahip regülatör ile sağlanır.

►►►6. ELEKTRİK GÜÇ BESLEMESİ **YALNIZCA AŞAĞIDA BELİRTİLEN GÜÇ BESLEME YÖNTEMLERİNİ KULLANIN. BİR YÖNTEMDEN DİĞERİNE GEÇMEK İÇİN KAPATMA İŞLEMİNİ İZLEYİN (Parag. "9. KAPATMA"). İŞLEM HALİNDEKİ ISITICIDA BESLEME YÖNTEMİNİ DEĞİŞTİRMEK YASAKTIR.**

►►6.1. ISITICI GÜÇ BESLEYİCİSİNDEN BESLENİR (mevcut olduğu yerde):

ELEKTRİK ŞEBEKE BAĞLANTISI, YÜRÜRLÜKTEKİ ULUSAL DÜZENLEMELERE UYGUN OLARAK YAPILMALIDIR.

Isıtıcıyı elektrik şebekesine bağlamadan önce, aşağıdakilerden emin olun:

►6.1.1.Elektrik şebekesi diferansiyel şalter ve uygun topraklama ile donatıldığından.

►6.1.2.Besleme gerilimi ve frekanslarının doğru olduğundan (besleyicideki veri tabelasına bakın).

Besleyiciyi ısıtıcıya bağlayın (Şek. 15), ve sonrasında besleyiciyi elektrik şebekesine bağlayın (Şek. 16).

►►6.2. ISITICI DOLDURULABİLİR BATARYADAN BESLENMİŞTİR (mevcut olduğu yerde):

YALNIZCA ORJİNAL DOLDURULABİLİR BATARYALARI ISITICININ TEKNİK VERİ TABELASINDA BELİRTİLEN GERİLİMLE KULLANIN.

Doldurulabilir bataryayı ısıtıcının altına yerleştirilen batarya taşıma bölümüne yerleştirin (Şek. 17).

Doldurulabilir batarya (pakette verilirler, ve/veya modele göre opsiyoneldir) kısmen dolu olarak verilir. Doldurulabilir bataryanın tüm gücünü garanti etmek için, ilk kullanımdan önce, doldurulabilir bataryayı orjinal şarj aletinde tamamen doldurun (her batarya belli şarj aleti gerektirir). Doldurulabilir batarya, yalnızca 0°C ve 40°C arasında ısı alanında bir doldurmaya yarayan "NTC" ısının kontrolüyle donatılmıştır. Bu şekilde doldurulabilir bataryanın uzun ömrü elde edilir.

►►6.3. ISITICI, TAKILI BATARYA İLE BESLEYİCİ TARAFINDAN BESLENİR (mevcut olduğu yerde):

Besleyiciyi ısıtıcıya bağlayın (Şek. 15), ve sonrasında besleyiciyi elektrik şebekesine bağlayın (Şek. 16) (ısıtıcıdaki veri tabelasına bakın). Isıtıcı otomatikte doldurulabilir bataryayı dışta bırakır. **BESLEYİCİ, ŞARJ ALETİ FONKSİYONUNA SAHİP DEĞİLDİR,** bu nedenle ısıtıcı elektrik şebekesinden beslendiğinde bağlı doldurulabilir batarya doldurulmaz.

►►► 7. AÇMA

►► 7.1. ISITMA YÖNTEMİ:

► 7.1.1. "O/I" anahtarını "I" konumuna getirin (Şek. 18).

► 7.1.2. Bir kaç saniye bekleyin.

► 7.1.3. Gaz düğmesine sonuna kadar basıp basılı tutun (Şek. 19).

► 7.1.4. Piezoelektrik ateşleticiyi sonuna kadar ve birbiri ardına çalıştırın (Fig. 20), gaz düğmesine basılı tutarak (Şek. 19).

► 7.1.5. Alev aldıktan sonra, gaz düğmesine yaklaşık 15 s boyunca basılı tutun (Şek. 21).

► 7.1.6. Gaz düğmesini bırakın (Şek. 22).

Elektrik enerjisinde kesinti olması veya gaz ulaşmaması halinde ısıtıcı kapanacaktır. Isıtıcının yeniden açılması otomatik değildir, manüel olarak açma prosedürü

tekrarlanarak yapılmalıdır. Eğer ısıtıcı açılmazsa, uygun bölüme danışın (Parag. "12. ÇALIŞMA ANORMALLİKLERİ, SEBEPLERİ VE ÇÖZÜMLERİ").

►► 7.2. HAVALANDIRMA YÖNTEMİ:

Isıtıcı vantilatör olarak da kullanılabilir. Isıtıcıyı elektrik prizine bağlayın ve/veya doldurulabilir bataryayı takın ve "O/I" anahtarını "I" konumuna getirin (Şek. 18).

NOT: Isıtıcı, ısıtma fonksiyonunda çalışırken, vantilatör fonksiyonuna geçmeden önce, kapatılma işlemini doğru şekilde uygulayın (Parag. "9. KAPATMA").

►►► 8. TERMİK GÜÇ AYARI

Isıtma gücü, ısıtıcının altında bulunan kontrol düğmesiyle ayarlanabilir (Şek. 23).

►►► 9. KAPATMA

► 9.1. Gaz tüpünü kapatın (Şek. 24).

► 9.2. Aşırı ısınma nedeniyle iç kısımlara zarar gelmesini önlemek için vantilatörü yaklaşık 60 s boyunca çalıştırın (ısıtıcının iç kısmının soğutulması).

► 9.3. "O/I" anahtarını "O" konumuna getirin (Şek. 25).

► 9.4. Isıtıcıyı şebekeden ayırın (Şek. 26) ve/veya doldurulabilir bataryayı elektrik ağından çıkarın veya bataryayı devre dışı bırakın (Şek. 27).

► 9.5. Isıtıcıyı gaz besleme borusundan çıkarın (Şek. 28-29-30).

►►► 10. TEMİZLİK VE BAKIM

En az yılda bir kere ve/veya ihtiyaca göre, ısıtıcının doğru çalışıp çalışmadığını teknik servis merkezine kontrol ettirin. Kullanımdan sonra yerine kaldırmadan önce ısıtıcı temizlenmelidir.

► 10.1. Isıtıcı üzerinde hergangi bir bakım ve onarım işlemini gerçekleştirmeden önce, kapatma işlemini yapın (Parag. "9. KAPATMA").

► 10.2. Temizlik sadece ısıtıcının hava girişini (arka taraf) ilgilendirir.

► 10.3. Isıtıcı yeniden kullanıldığında gaz borusunun sağlamlık durumunu kontrol edin; sağlamlığı hakkında şüpheniz varsa teknik servisin müdahalesini isteyin.

► 10.4. İzinsiz müdahalelerde bulunmayın.

►►► 11. BATARYANIN SAKLANMASI VE TAŞINMASI

BATARYAYI UZUN SÜRE BOYUNCA DÜŞÜK ISIDAKİ ALANLARLA MUHAFAZA ETMEYİN VE SAKLAMAYIN.

Li-ion (Lityum iyon) doldurulabilir bataryalar tehlikeli ürünlerle ilgili yasanın gerekliliklerine maruz kalırlar. Doldurulabilir bataryalar başka önlemler olmadan kullanıcı tarafından yolda taşınabilirler. Üçüncü şahıslar tarafından yapılan sevkiyat durumunda (örneğin hava taşımacılığı ve/veya kargo), yürürlükte olan kurallara göre özel gereklilikler gözlenmelidir. Yalnızca gövde zarar görmezse doldurulabilir bataryaları gönderin. Açık kalan temasları yapışkan bant ile kapatın, ve ambalajın içinde hareket etmeyecek şekilde doldurulabilir bataryaları ambalajlayın. Başka muhtemel ulusal kuralları da incelemenizi rica ediyoruz.

►►► 12. ÇALIŞMA ANORMALLİKLERİ, SEBEPLERİ VE ÇÖZÜMLERİ

ÇALIŞMA ANORMALLİKLERİ	SEBEP	ÇÖZÜM
Motor	Gerilim eksik (eğer şebekeden besleniyorsa)	1.Şebeke tesisatını kontrol edin 2.Teknik servis
	Batarya boş (eğer bataryadan besleniyorsa)	1.Bataryayı doldurun 2.Teknik servis
	Güç beslemesi veya batarya arızalı	Teknik servis
	Motor arızalı	Teknik servis
Alev yanmıyor	Gaz tüpü bitmiş	Gaz tüpünü değiştirin (Parag. 5)
	Regülatör emniyet valfı bloke oldu	1.Regülatörün gaz kilidi açma tuşuna basın (Şek. 13) 2.Teknik servis
	Gaz tüpü vanası kapalı	Gaz tüpü vanasını açın (Şek. 12)
	Açma devresi arızalı	Teknik servis
Alev yanık kalmıyor	Gaz düğmesine yeteri kadar uzun süre basılmadı	Gaz düğmesine daha uzun süre basın (Parag. 7.1.5.)
	Isıtıcı arızalı	Teknik servis
Çalışma sırasında alevin sönmesi	Gaz beslemesi yetersiz	1.Gaz tüpünü değiştirin (Parag. 5) 2.Teknik servis
	Isıtıcının aşırı ısınması	1.Hava giriş ağzını (arka taraf) temizleyin 2.Teknik servis
	Isıtıcı arızalı	Teknik servis

SADRŽAJ ODLOMAKA

1...	OPIS
2...	UPOZORENJA
3...	VRSTA GORIVA
4...	OPIS PROIZVODA
5...	POVEZIVANJE I ZAMJENA PLINSKE BOCE
6...	NAPAJANJE STRUJOM
7...	UKLJUČIVANJE
8...	PODEŠAVANJE TOPLINSKE SNAGE
9...	ISKLJUČIVANJE
10...	ČIŠĆENJE I ODRŽAVANJE
11...	ČUVANJE I TRANSPORT BATERIJE
12...	PROBLEMI U RADU, UZROCI I RJEŠENJA

VAŽNO: PROČITAJTE I SHVATITE SADRŽAJ OVOG OPERATIVNOG PRIRUČNIKA PRIJE NEGO ŠTO POČNETE SA SASTAVLJANJEM, PUŠTANJEM U RAD ILI ODRŽAVANJEM OVOG GENERATORA. NEPRAVILNO KORIŠTENJE GENERATORA MOŽE DOVESTI DO OZBILJNIH POVREDA. ČUVAJTE OVAJ PRIRUČNIK DA BISTE GA MOGLI U BUDUĆNOSTI KONZULTIRATI.

►►► 1. OPIS

Ovo je prijenosni grijač zraka koji radi na tekući plin, odlikuje ga potpuno iskorištavanje goriva uz pomoć razmjene topline u svrhu izravnog miješanja usisanog zraka i proizvoda sagorijevanja. Opremljen je praktičnom ručicom koja olakšava transport i premještanje. Ovaj se grijač može napajati specifičnim napajačem ili sustavom baterija na punjenje. Izrađen je u skladu s propisom EN 1596.

►►► 2. UPOZORENJA

► **VAŽNO:** Ne koristite ga za grijanje useljivih stambenih zgrada; za upotrebu u javnim zgradama, treba se pridržavati nacionalnih propisa.

► **VAŽNO:** Ovaj grijač nije namijenjen korištenju od strane osoba (uključujući djecu) koje imaju smanjene fizičke, osjetne i mentalne sposobnosti osim u slučaju kada ih nadgleda osoba odgovorna za njihovu sigurnost. Potrebno je neprestano nadgledati djecu kako bi se spriječilo da se igraju s grijačem. Potrebno je držati životinje na sigurnosnoj udaljenosti od grijača.

► **VAŽNO:** Nepravilna upotreba ovog grijača može prouzročiti oštećenja ili smrtnu opasnost na štetu ljudi, te ozljede, opekotine, eksplozije, strujni udar ili trovanje. Prvi simptomi gušenja ugljičnim monoksidom slični su simptomima gripe, sa pojavom glavobolje, vrtoglavice i/ili mučnine. Takve simptome može prouzročiti nepravilan rad grijača. U SLUČAJU POJAVE OVIH SIMPTOMA, ODMAH IZAĆI NA OTVORENI PROSTOR i popraviti grijač u tehničkoj službi.

► **VAŽNO:** Sve operacije čišćenja, održavanja i popravljivanja koje predviđaju pristup opasnim dijelovima moraju biti urađene od strane proizvođača, njegove tehničke servisne službe, osoba sa sličnom kvalifikacijom na način da se spriječi bilo koji rizik bez obzira na činjenicu da je predviđeno i iskapčanje sa mreže za napajanje.

► **2.1.** Za ispravno korištenje grijača i za očuvanje goriva, treba se pridržavati svih lokalnih propisa i važećih zakona.

► **2.2.** Za ispravan rad, grijaču je potrebna odgovarajuća izmjena zraka. Iz tog se razlog isti mora koristiti na otvorenom prostoru ili u prostorijama u kojima je izmjena zraka osigurana i neprekidna. Dobra je ventilacija osigurana kada se obujam sobe izračuna u odnosu na toplinsku snagu, sa formulom 1m^3 svakih 100W snage. U svakom slučaju preporučeni obujam sobe ne smije biti manji od 100m^3 . Dobru će ventilaciju osigurati otvor koji zadovoljava formulu od 25cm^2 za kW toplinske snage, sa minimumom koji iznosi 250cm^2 , jednako raspoređen između gornjeg i donjeg dijela sobe. Prilikom instalacije, vrijede nacionalni propisi na snazi uključujući i tehničke propise i odredbe u području sprječavanja nesreća i požara.

► **2.3.** Grijač se smije koristiti samo za grijanje zraka (način rada grijanje) ili za pomicanje zraka (način rada ventilacija). Kod upotrebe treba se strogo pridržavati ovih uputa.

► **2.4.** Proizvođač odbacuje svaku odgovornost za štete nanijete na predmetima i/ili osobama, a koje su posljedica nepravilne upotrebe grijača.

► **2.5.** Grijač se smije napajati isključivo vrstom goriva jasno navedenom na natpisnoj pločici postavljenoj na grijaču.

► **2.6.** Provjeriti da je grijač povezan isključivo na električnu mrežu opremljenu diferencijalnim prekidačem i odgovarajućim uzemljenjem.

► **2.7.** Koristiti isključivo produžetke s odgovarajućim presjekom koji imaju predviđeno uzemljenje.

► **2.8.** Grijač mora raditi na ravnoj i stabilnoj površini, otpornoj na vatru, kako bi se izbjegla opasnost od požara.

► **2.9.** Strogo je zabranjen rad grijača u podrumima ili ispod razine tla.

► **2.10.** Grijač se ne smije koristiti u prostorijama u kojima se nalazi eksplozivni prah, dim, plinovi, goriva, otapala, boje.

► **2.11.** Ako se grijač koristi u blizini cerada, šatora ili sličnih materijala za pokrivanje, preporučuje se upotreba dodatne zaštite otporne na vatru. Važno je održavati odgovarajuću udaljenost koja ni u kojem slučaju ne smije biti manja od 2,5m u odnosu na zapaljive materijale (platno, papir, drvo, itd..) ili one toplinsko-labilne (uključujući i kabel napajala, ako je prisutan) i vruće dijelove grijača.

► **2.12.** Postaviti plinsku bocu u zaštićeni položaj, iza uređaja (Sl. 1). Nikada ne usmjeravati grijač prema plinskoj boci (Sl. 2).

► **2.13.** Niti iz jednog razloga nije dozvoljeno potpuno ili djelomično začepiti otvor za zrak (stražnja strana) i/ili otvor za izlaz zraka (prednja strana) (Sl. 3). Izbjegavati korištenje bilo kakvih kanala za zrak od/prema grijaču. Pobrnuti se da se ne blokiraju otvori za dovod zraka na dnu postolja (za modele kod kojih je prisutno ovo rješenje).

► **2.14.** U slučaju ne uključivanja ili neispravnog uključivanja grijača, pročitati odgovarajući odlomak (Odl. "12. PROBLEMI U RADU, UZROCI I RJEŠENJA").

► **2.15.** Grijač se tijekom rada ne smije nikada premještati, niti dirati, te ne smije biti podvrgnut operaciji održavanja.

► **2.16.** U bilo kojem stanju upotrebe ili mirovanja grijača, treba se paziti da se savitljiva plinska cijev ne ošteti (prignječi, savije, uvije, zategne, itd).

► **2.17.** Ako se osjeti miris plina, treba odmah isključiti plinsku bocu, iskopčati utikač napajala iz mreže i/ili izvaditi bateriju, te odmah nakon toga stupiti u kontakt sa servisnom tehničkom službom.

► **2.18.** U slučaju zamjene cijevi za plin, koristiti samo cijevi savitljivog tipa koje odgovaraju radnom pritisku i paziti na nacionalne propise. Plinska cijev mora imati dužinu od 1,5m.

► **2.19.** Kada grijač nije u upotrebi, iskopčati utikač napajala sa mreže i/ili izvaditi bateriju na punjenje, zatvoriti dovod plina, iskopčati cijev za plin iz grijača i začepiti otvor za plin na grijaču.

► **2.20.** Barem jednom godišnje i/ili po potrebi, tehnički servis treba provjeriti ispravan rad grijača.

► **2.21.** Uvjeriti se da je grijač isključen prije ukapčanja utikača napajala i/ili stavljanja baterije za punjenje, kako bi se spriječio bilo koji rizik.

► **2.22.** Koristiti isključivo originalne, izričito predviđene baterije za punjenje. Upotreba nepredviđenih baterija za punjenje može prouzročiti oštećenja ili smrtnu opasnost na štetu ljudi, te ozljede, opekotine, eksplozije, strujni udar ili trovanje.

► **2.23.** Održavati odgovarajuću udaljenost između isključene baterije za punjenje i

spajalica, kovanica, ključeva, čavli, vijaka ili drugih malih metalnih predmeta koji bi mogli dovesti do kratkog spoja. Eventualni kratki spoj između kontakata baterije za punjenje može prouzročiti oštećenja ili smrtne opasnost na teret ljudi, te ozljede, opekotine, eksplozije, itd..

► **2.25.** Nepravilna upotreba baterije za punjenje može dovesti do ispuštanja tekućine iz baterije. Apsolutno izbjegavati svaki kontakt. U slučaju slučajnog kontakta, odmah dobro isprati vodom. Odmah potražiti liječničku pomoć ako tekućina dođe u kontakt s očima. Tekućina koja je izašla iz baterije za punjenje može prouzročiti nadražaj kože ili opekotine.

► **2.25.** Nepravilna upotreba baterije za punjenje može dovesti do ispuštanja para iz baterije. Apsolutno izbjegavati udisanje ovih para. Omogućiti ulazak svježeg zraka u slučaju slučajnog udisanja, te se obratiti liječniku u slučaju problema. Pare mogu izazvati nadražaje dišnog trakta.

► **2.26.** U cilju sprječavanja ozbiljnog rizika ne pokušavati otvoriti/rastaviti bateriju za punjenje.

► **2.27.** U cilju sprječavanja ozbiljnog rizika, zaštititi bateriju za punjenje od topline (na primjer od neprekidnog izlaganja sunčevim zrakama, od vatre, vode, vlage itd.).

► **2.28.** Upotrebljavati specifičnu bateriju za punjenje isključivo s ovim grijačem kako bi se izbjeglo opasno preopterećenje.

► **2.29.** Koristiti isključivo originalne baterije za punjenje s naponom navedenim na pločici s tehničkim podacima grijača. U slučaju upotrebe drugih baterija za punjenje (na primjer ne originalnih, regeneriranih, konkurentnih, itd.) postoji opasnost od ozljeda i/ili eksplozije.

► **2.30.** Napuniti bateriju za punjenje samo i isključivo s originalnim punjačem baterija. Svaka baterija mora imati specifični punjač baterija kako bi se spriječio rizik od požara i eksplozije.

► **2.31.** Koristiti isključivo načine električnog napajanja predviđene ovim priručnikom. Kako bi se prešlo s jednog načina rada na drugi, potrebno je izvršiti slijed isključivanja (Odl. "9. ISKLJUČIVANJE"). Zabranjeno je mijenjati način napajanja grijača tijekom rada kako bi se izbjegla teška oštećenja.

►►► 3. VRSTA GORIVA

Koristiti isključivo plin kategorije I₃B/P.

►►► 4. OPIS PROIZVODA

►► 4.1. NAPAJAČ (tamo gdje postoji):

NAPAJAČ NEMA FUNKCIJU PUNJAČA BATERIJA.

(Sl. 4) Grijač može raditi ako se spoji na električnu mrežu uz pomoć uređaja pod nazivom napajač. Napajač je dizajniran da bi primio na ulazu jednofaznu naizmjeničnu struju koja dolazi iz mreže i da bi je pretvorio na izlazu u istosmjernu struju prikladnu za rad grijača. Treba se poštivati parametre rada napajača (vidi natpisnu pločicu postavljenu na napajaču) Koristiti napajač na suhim mjestima zaštićenim od prašine za napajanje isključivo ovog grijača. Povremeno provjeriti stanje u kojem se nalazi kabel napajača kako bi se spriječila ozbiljna oštećenja. Pridržavati se svih upozorenja koja se odnose na napajač a navedena su u ovom priručniku.

►► 4.2. BATERIJA (tamo gdje je prisutna):

(Sl. 5) Grijač može samostalno raditi sa originalnom baterijom za punjenje Li-ion bez potrebe spajanja na električnu mrežu. Baterija za punjenje je isporučena djelomično napunjena pa se stoga savjetuje da se izvrši potpuni ciklus punjenja prije nego se započne s upotrebom baterije. Koristiti samo originalne baterije za napajanje grijača. Poštivati sva upozorenja navedena u ovom priručniku koja se odnose na bateriju.

►► 4.3. PUNJAČ BATERIJA (tamo gdje je prisutan):

(Sl. 6) Punjač baterija je dizajniran za punjenje originalnih baterija za punjenje. Poštovati parametre rada punjača baterija (vidi natpisnu pločicu postavljenu na punjaču baterija) Koristiti punjač baterija na suhim mjestima zaštićenim od prašine, za punjenje isključivo originalnih baterija za punjenje koje se mogu koristiti za napajanje ovog grijača. Punjač baterija je dizajniran da automatski obavi ciklus punjenja kada se na njega priključi baterija za punjenje. (Sl. 7). Niz signalnih lampica postavljenih na punjač baterije omogućuje detaljnu dijagnozu tijekom faze traženja baterije (Sl. 8). Poštivati

sva upozorenja navedena u ovom priručniku koja se odnose na punjač baterija.

▶▶▶ 5. POVEZIVANJE I ZAMJENA PLINSKE BOCE

Plinska se boca mora zamijeniti na otvorenom prostoru, daleko od izvora topline u atmosferi bez plamena.

Za spajanje plinske boce na grijač, treba se koristiti samo sljedeća oprema:

- Savitljiva cijev za tekući plin.
- Regulator pritiska za tekući plin u kompletu sa sigurnosnim ventilom.

PROVJERITI CJELOVITOST PLINSKE CIJEVI ZA NAPAJANJE. U SLUČAJU DA JE POTREBNO IZVRŠITI ZAMJENU, KORISTITI ISKLJUČIVO SAVITLJIVE CIJEVI, KOJE ODGOVARAJU KORIŠTENOM PRITISKU I PRIDRŽAVATI SE ODGOVARAJUĆIH NACIONALNIH PROPISA.

▶ Spajanje grijača na plinsku bocu:

PAŽNJA: SVI SU NAVOJI LIJEVOSTRANI, ŠTO ZNAČI DA SE STEŽU ULJEVO.

▶ **5.1.** Stegnuti plinsku cijev na spojnicu grijača (Sl. 9).

▶ **5.2.** Instalirati regulator pritiska na plinsku bocu. Provjeriti da na regulatoru postoji brtva (ako to predviđa vrsta spojnice) (Sl. 10).

▶ **5.3.** Spojiti plinsku cijev na regulator pritiska (Sl. 11).

▶ **5.4.** Otvoriti slavinu plinske boce (Sl. 12).

▶ **5.5.** Pritisnuti dugme za deblokadu regulatora (Sl. 13). **Provjeriti sapunicom da spojnice ne puštaju: pojava mjehurića označava eventualne gubitke plina (Sl. 14).** Moguće je međusobno spojiti više plinskih boca kako bi se postigla veća autonomija. Priloženi regulator ili ekvivalentni model istoga određuje ispravan radni pritisak (vidi pločicu s podacima postavljenu na grijaču).

▶▶▶ **6. NAPAJANJE STRUJOM**
KORISTITI ISKLJUČIVO NAČINE NAPAJANJA NAVEDENE U NASTAVKU. ZA PRIJELAZ S JEDNOG NAČINA RADA NA DRUGI, POTREBNO JE IZVRŠITI SLIJED ISKLJUČIVANJA (Odl. "9. ISKLJUČIVANJE"). ZABRANJENO JE MIJENJATI NAČIN NAPAJANJA ZA VRIJEME RADA GRIJAČA.

▶▶ 6.1. GRIJAČ KOJI SE NAPAJA POMOĆU NAPAJAČA (tamo gdje je prisutan):

PRIKLJUČIVANJE NA ELEKTRIČNU MREŽU MORA SE OBAVITI U SKLADU S VAŽEĆIM DRŽAVNIM PROPISIMA.

Prije priključivanja grijača na električnu mrežu, potrebno je provjeriti da:

▶ **6.1.1.** je električna mreža opremljena diferencijalnim prekidačem i odgovarajućim uzemljenjem.

▶ **6.1.2.** da su napon i frekvencija ispravni (vidi pločicu s podacima postavljenu na napajaču). Priključiti napajač na grijač (Sl. 15), a zatim priključiti napajač na električnu mrežu (Sl. 16).

▶▶ 6.2. GRIJAČ KOJI SE NAPAJA POMOĆU BATERIJE ZA PUNJENJE (tamo gdje je prisutna):

KORISTITI ISKLJUČIVO ORIGINALNE BATERIJE ZA PUNJENJE S NAPONOM KOJI JE NAVEDEN NA PLOČICI S TEHNIČKIM PODACIMA GRIJAČA.

Umetnuti bateriju za punjenje u držač baterije ispod baze grijača (Sl. 17).

Baterija za punjenje (isporučena u pakiranju i/ili dio dodatne opreme, ovisno o modelu) isporučuje se djelomično napunjena. Da bi se osigurala puna snaga baterije za punjenje, prije prve upotrebe potrebno je u potpunosti napuniti bateriju pomoću originalnog punjača baterije (svaka baterija potrebuje specifičan punjač baterija). Baterija za punjenje je opremljena kontrolom temperature "NTC" koja omogućuje punjenje isključivo u rasponu temperature od 0°C do 40°C. Na taj se način postiže dugi vijek trajanja baterije za punjenje.

▶▶ 6.3. GRIJAČ KOJI SE NAPAJA NAPAJAČEM SA UMETNUTOM BATERIJOM (tamo gdje je prisutna):

Priključiti napajač na grijač (Sl. 15), i naknadno priključiti napajač na električnu mrežu (Sl. 16) (vidi pločicu s podacima postavljenu na grijaču). Grijač automatski isključuje bateriju za punjenje. **NAPAJAČ NEMA FUNKCIJU PUNJAČA BATERIJE**, znači kada se grijač napaja preko električne mreže, povezana baterija za punjenje se neće puniti.

▶▶▶ 7. UKLJUČIVANJE

▶▶ 7.1. NAČIN RADA-GRIJANJE:

▶ 7.1.1. Postaviti prekidač "O/I" u poziciju "I" (Sl. 18).

▶ 7.1.2. Pričekati nekoliko sekundi.

▶ 7.1.3. Pritisnuti do kraja dugme za plin i držati ga pritisnutim (Sl. 19).

▶ 7.1.4. Pritisnuti više puta do kraja piezoelektrični upaljač (Sl. 20), i istovremeno držati pritisnutim dugme za plin (Sl. 19).

▶ 7.1.5. Nakon što se upali plamen, držati pritisnutim dugme za plin u trajanju od oko 15 s (Sl. 21).

▶ 7.1.6. Otpustiti tipku za plin (Sl. 22).

U slučaju nestanka struje ili manjka plina, grijač će se isključiti. Ponovno uključenje grijača nije automatsko nego se mora obaviti ručno ponavljanjem postupka uključivanja. Ako se grijač ponovo ne uključi, pročitati odgovarajući odjeljak (Odl. "12. PROBLEMI U RADU, UZROCI I RJEŠENJA").

▶▶ 7.2. NAČIN RADA-VENTILACIJA:

Grijač se može koristiti i kao ventilator. Ukopčati grijač u električnu utičnicu i/ili umetnuti bateriju, te staviti prekidač "O/I" u poziciju "I" (Sl. 18).

NAPOMENA: Ako grijač radi u načinu rada grijanja, prije prelaska u način rada ventilacije, pravilno izvršiti postupak isključivanja (Odl. "9. ISKLJUČIVANJE").

▶▶▶ 8. PODEŠAVANJE TOPLINSKE SNAGE

Podešavanje toplinske snage može se obaviti na način da se pomakne ručica na osnovi grijača (Sl. 23).

▶▶▶ 9. ISKLJUČIVANJE

▶ 9.1. Zatvoriti plinsku bocu (Sl. 24).

▶ 9.2. Ostaviti ventilator da radi oko 60 s kako ne bi došlo do unutrašnjih oštećenja zbog pregrijavanja (unutrašnje hlađenje grijača).

▶ 9.3. Postaviti prekidač "O/I" u poziciju "O" (Sl. 25).

▶ 9.4. Iskopčati grijač s mreže (Sl. 26) i/ili izvaditi bateriju za punjenje iz električne mreže ili iskopčati bateriju (Sl. 27).

▶ 9.5. Otkopčati grijač od cijevi za napajanje plinom (Sl. 28-29-30).

▶▶▶ 10. ČIŠĆENJE I ODRŽAVANJE

▶ 2.20. Barem jednom godišnje i/ili po potrebi, tehnički servis treba provjeriti ispravan rad grijača. Prije odlaganja poslije upotrebe, grijač treba očistiti.

▶ 10.1. Prije početka obavljanja bilo koje vrste održavanja, brige i popravljivanja grijača, treba izvršiti slijed isključivanja (Odl. "9. ISKLJUČIVANJE").

▶ 10.2. Čišćenje se odnosi samo na otvor za zrak (stražnji dio) grijača.

▶ 10.3. Kada se grijač bude ponovno stavio u upotrebu, potrebno je provjeriti cjelovitost cijevi za plin; ako postoji sumnja u cjelovitost iste, treba se zatražiti intervencija servisne službe.

▶ 10.4. Ne izvršavati neovlaštene intervencije.

▶▶▶ 11. ČUVANJE I TRANSPORT BATERIJE

NE ČUVATI I NE SKLADIŠTITI DUŽE VRIJEME BATERIJU NA MJESTIMA GDJE JE TEMPERATURA NISKA.

Li-ion baterije za punjenje podliježu zakonu koji se odnose na opasne tvari. Korisnik može vršiti cestovni prijevoz baterija za punjenje bez dodatnih mjera opreza. U slučaju da prijevoz vrši treće lice (na primjer, zračni promet i / ili špediter) moraju se poštovati posebni zahtjevi u skladu sa važećim propisima. Slati baterije za punjenje samo ako kućište nije oštećeno. Pokriti ljepljivom trakom otvorene kontakte i upakirati baterije za punjenje na način da se ne pomiču unutar paketa. Molimo vas da se pridržavate i eventualnih dodatnih nacionalnih propisa.

►►► 12. PROBLEMI U RADU, UZROCI I RJEŠENJA

PROBLEMI U RADU	UZROCI	RJEŠENJA
Motor se ne pokreće	Nema napona (ako se napaja sa mreže)	1.Provjeriti mrežni uređaj 2.Tehnički servis
	Baterija je prazna (ako se napaja preko baterije)	1.Napuniti bateriju 2.Tehnički servis
	Napajanje ili baterija su neispravni	Tehnički servis
	Motor je u kvaru	Tehnički servis
Plamen se ne pali	Plinska boca je prazna	Zamijeniti plinsku bocu (Odl. 5)
	Sigurnosni ventil regulatora u stanju blokade	1.Pritisnuti dugme za deblokadu plina regulatora (Sl. 13) 2.Tehnički servis
	Slavina plinske boce je zatvorena	Otvoriti slavinu plinske boce (Odl. 12)
	Sistem za uključivanje je neispravan	Tehnički servis
Plamen se gasi	Dugme za plin pritisnuto suviše kratko	Duže pritisnuti dugme za plin (Odl. 7.1.5.)
	Grijač je neispravan	Tehnički servis
Plamen se isključuje tijekom rada	Nedovoljno napajanje plinom	1.Zamijeniti plinsku bocu (Odl. 5) 2.Tehnički servis
	Pretjerano zagrijavanje grijača	1.Očistiti otvor za zrak (stražnji dio) 2.Tehnički servis
	Grijač je neispravan	Tehnički servis

SKYRIŲ SANTRAUKA

1...	APRAŠYMAS
2...	ĮSPĖJIMAI
3...	KURO RŪŠIS
4...	DALIŲ APRAŠYMAS
5...	DUJŲ BALIONO PRIJUNGIMAS IR KEITIMAS
6...	ELEKTROS TIEKIMO ŠALTINIS
7...	ĮJUNGIMAS
8...	ŠILUMINĖS GALIOS REGULIAVIMAS
9...	IŠJUNGIMAS
10...	VALYMAS IR PRIEŽIŪRA
11...	BATERIJOS LAIKYMAS IR GABENIMAS
12...	VEIKIMO TRUKDŽIAI, JŲ PRIEŽASTYS IR TAISYMAS

SVARBU: PRIEŠ SURINKDAMI, PALEISDAMI ŠĮ GENERATORIŲ AR ATLIKDAMI JO PRIEŽIŪRĄ PERSKAITYKITE IR SUPRASKITE ŠĮ VEIKIMO VADOVĄ. NETINKAMAI NAUDODAMI GENERATORIŲ GALITE RIMTAI SUSIŽEISTI. SAUGOKITE ŠĮ VADOVĄ, KAD GALĖTUMĖTE JĮ PERSKAITYTI ATEITYJE.

▶▶▶ 1. APRAŠYMAS

Tai yra suskystintų dujų nešiojamas oro šildytuvas, kuriame vykstant šilumos kaitai, kad tiesiogiai susimaišytų siurbiamas oras ir degimo produktai, visiškai optimizuojamas kuro sunaudojimas. Jame yra įtaisyta patogi rankena, kad būtų paprasčiau įrenginį transportuoti ir perkelti. Šiam šildytuvui energija tiekama prijungus specialų maitinimo bloką arba įkraunamomis baterijomis. Jis sukonstruotas pagal EN 1596 standartą.

▶▶▶ 2. ĮSPĖJIMAI

▶⚠️**SVARBU:** Nenaudokite šildytuvo gyvenamųjų namų gyvenamosioms patalpoms apšildyti; dėl naudojimo visuomeniniuose pastatuose, vadovaukitės nacionalinėmis taisyklėmis.

▶⚠️**SVARBU:** Šis šildytuvas nėra pritaikytas naudoti asmenims (taip pat vaikams), turintiems fizinių, jutiminių ir protinių sutrikimų, bei nepatyrusiems asmenims, nebent juos prižiūrėtų už jų saugumą atsakingas asmuo. Vaikus būtina prižiūrėti ir įsitikinti, kad jie nežaistų

su šildytuvu. Gyvūnus laikykite saugiu atstumu nuo šildytuvo.

▶⚠️**SVARBU:** Dėl netinkamo šio šildytuvo naudojimo gali būti padaryta žala arba kilti pavojus žmonių gyvybei, galima susižeisti, nudegti, apsinuodyti, gali kilti sproginimas arba nutrenkti elektra. Pirmieji dusulio nuo anglies monoksido simptomai panašūs į gripo simptomus: jaučiamas galvos skausmas, svaigimas ir (arba) pykinimas. Šių simptomų priežastis gali būti netinkamai veikiantis šildytuvas. JEI PAJUSTUMĖTE ŠIUOS SIMPTOMUS, NEDELSDAMI IŠEIKITE Į LAUKĄ ir kreipkitės į techninės pagalbos centrą dėl šildytuvo taisymo.

▶⚠️**SVARBU:** Visas valymo, priežiūros ir taisymo operacijas, kurioms atlikti reikia prieigos prie pavojingų dalių, turi atlikti gamintojas, techninės pagalbos meistrai ar panašios kvalifikacijos asmuo, kad būtų išvengta bet kokios rizikos, net ir tuo atveju, jei įrenginys yra atjungtas nuo maitinimo tinklo.

▶ 2.1. Dėl tinkamo šildytuvo naudojimo ir kuro laikymo, vadovaukitės vietiniais įstatymais ir galiojančiomis taisyklėmis.

► **2.2.** Kad šildytuvas veiktų, yra būtina užtikrinti tinkamą oro apytaką. Todėl jis turėtų būti naudojamas lauke arba nuolat gerai vėdinamoje patalpose. Tinkamas vėdinimas užtikrinamas pagal patalpos tūrio ir šiluminės galios santykį, kai 1m^3 tenka 100W galios. Bet kokiu atveju, rekomenduojamas patalpos tūris turi būti ne mažesnis kaip 100m^3 . Gerą ventiliaciją užtikrins anga, kuri atitiks 25cm^2 šiluminės galios kilovatu (kW) santykį, kai mažiausias plotas 250cm^2 , lygiomis dalimis padalintas tarp viršutinės ir apatinės patalpos dalies. Įdiegimą reglamentuoja galiojančios nacionalinės taisyklės, įskaitant technines normas ir nelaimingų atsitikimų bei gaisrų prevencijos nuostatas.

► **2.3.** Šildytuvas turi būti naudojamas tik oro šildymui (šildymo režimas) ir ventiliavimui (ventiliacijos režimas). Eksploatuodami įrenginį atidžiai laikykitės šių instrukcijų.

► **2.4.** Gamintojas nepriima jokios atsakomybės už turtui ir (arba) asmenims padarytą žalą, kilusią dėl netinkamo šildytuvo naudojimo.

► **2.5.** Šildytuvui naudokite tik ant įrenginio esančioje duomenų plokštelėje nurodytą kuro rūšį.

► **2.6.** Įsitinkite, kad šildytuvas būtų prijungiamas tik prie tinkamai žeminto elektros tinklo su atitinkamu liekamosios srovės įtaisu.

► **2.7.** Naudokite tik atitinkamos rūšies ilgintuvus su žemintais laidais.

► **2.8.** Šildytuvas turi būti eksploatuojamas ant lygaus, tvirto ir ugniai atsparaus pagrindo, kad būtų išvengta gaisro rizikos.

► **2.9.** Griežtai draudžiama šildytuvą naudoti rūsyje ar pusrūsyje arba patalpose, esančiose žemiau žemės paviršiaus lygio.

► **2.10.** Šildytuvo negalima naudoti patalpose, kuriose yra sprogių dulkių, dūmų, dujų, kuro, tirpiklių ar dažų.

► **2.11.** Jei šildytuvas naudojamas prie tentų, užuolaidų ar panašių apdangalų, patariama naudoti papildomas ugniai atsparias apsaugas. Būkite atidūs ir išlaikykite tinkamą atstumą, kuris bet kokiu atveju turi būti ne mažesnis kaip $2,5\text{ m}$, tarp įkaitusių šildytuvo dalių ir degių (audinių, popieriaus, medienos ir pan.) bei termolabilių (įskaitant maitinimo laidą, jei yra) medžiagų.

► **2.12.** Dujų balioną pastatykite saugioje padėtyje už įrenginio (Pav. 1). Šildytuvas

niekada neturi būti nukreiptas į dujų balioną (Pav. 2).

► **2.13.** Draudžiama bet kokiu atveju visiškai ar dalinai uždengti oro įsiurbimo angą (galinėje dalyje) ir (arba) išeinamąją oro angą (priekinėje dalyje) (Pav. 3). Nenaudokite jokių prie šildytuvo prijungiamų oro išvesties ar įvesties kanalų. Įsitinkite, kad nebūtų uždengiami oro siurbimo plyšiai, esantys pagrindo dugne (tik atitinkamuose modeliuose).

► **2.14.** Jei šildytuvas neįsijungia arba įjungdami pastebėjote trukdžių, žiūrėkite atitinkamą skyrių (Skyrius „12. VEIKIMO TRUKDŽIAI, JŲ PRIEŽASTYS IR TAISYMAS“).

► **2.15.** Jokiu būdu negalima perkelti, sukioti ar atlikti veikiančio šildytuvo priežiūros darbų.

► **2.16.** Bet kokiomis šildytuvo eksploatavimo ar pastatymo sąlygomis būkite atidūs ir saugokite, kad nebūtų pažeistas (suspaustas, sulinkęs, kreivas, ištemptas ar pan.) lankstus dujų vamzdis.

► **2.17.** Jei pajutote dujų kvapą, tuoj pat išjunkite šildytuvą, užsukite dujų balioną, iš tinklo ištraukite maitinimo bloko kištuką ir (arba) išimkite įkraunamą bateriją ir kreipkitės į techninės pagalbos centrą.

► **2.18.** Prireikus pakeisti dujų vamzdį, naudokite tik lanksčius, atitinkančius naudojimo slėgį vamzdžius, vadovaudamiesi nacionaliniais reikalavimais. Dujų vamzdis turi būti $1,5\text{ m}$ ilgio.

► **2.19.** Jei šildytuvo nenaudojate, iš tinklo ištraukite maitinimo bloko kištuką ir (arba) išimkite įkraunamą bateriją, užsukite dujas, nuo šildytuvo atjunkite dujų vamzdį ir užkiškite ant šildytuvo esančią dujų angą.

► **2.20.** Bent kartą per metus ir (arba) prireikus kreipkitės į techninės pagalbos centrą, kad patikrintų ar šildytuvas veikia tinkamai.

► **2.21.** Kad išvengtumėte bet kokios rizikos, prieš įjungdami maitinimo bloką ir (arba) prieš įstatydami įkraunamą bateriją, įsitinkite, kad šildytuvas yra išjungtas.

► **2.22.** Naudokite tik originalias aiškiai nurodytas įkraunamas baterijas. Dėl kitokių nei nurodytos įkraunamų baterijų naudojimo gali būti padaryta žala ar kilti pavojus žmonių gyvybei, galima susižeisti, nudegti, apsinuodyti, gali kilti sprogimas arba nutrenkti elektra.

► **2.23.** Išlaikykite atitinkamą saugos atstumą tarp atjungtos įkraunamos baterijos ir įtaisų, monetų, raktų, varžtų ir kitų nedidelių metalinių daiktų, dėl kurių gali įvykti trumpasis jungimas.

Tarp įkraunamos baterijos kontaktų įvykęs trumpasis jungimas gali padaryti žalos arba sukelti pavojų žmonių gyvybei, sužeisti, nudeginti, sukelti sprogimą ir pan.

► **2.24.** Dėl netinkamo įkraunamos baterijos naudojimo gali išbėgti baterijos skystis. Jokių būdu jo nelieskite. Jei netyčia prisilietėte, kruopščiai nuplaukite vandeniu. Jei skysčio pateko į akis, nedelsdami kreipkitės į gydytoją. Iš įkraunamos baterijos ištekėjęs skystis gali sudirginti odą arba nudeginti.

► **2.25.** Dėl netinkamo įkraunamos baterijos naudojimo iš jos gali išsiskirti garai. Jokių būdu neįkvėpkite šių garų. Išvėdinkite patalpas, o jei netyčia jų įkvėpėte ir prastai pasijutote, kreipkitės į gydytoją. Garai gali sudirginti kvėpavimo takus.

► **2.26.** Kad išvengtumėte didelės rizikos, nebandykite atidaryti (išardyti) įkraunamos baterijos.

► **2.27.** Kad išvengtumėte didelės rizikos, saugokite įkraunamą bateriją nuo kaitros (pavyzdžiui, nuo nuolatinės saulės šviesos, ugnies, vandens, drėgmės ir pan.).

► **2.28.** Specialią įkraunamą bateriją naudokite tik šiam šildytuvui, kad išvengtumėte pavojingos perkrovos.

► **2.29.** Naudokite tik originalias ant šildytuvo esančioje techninių duomenų plokštelėje nurodytas įtampos įkraunamas baterijas. Jei naudosite kitokias įkraunamas baterijas (pavyzdžiui, pakaitines baterijas, regeneruotas ar neoriginalias baterijas ir pan.), iškilus sužeidimų ir (arba) sprogimo pavojus.

► **2.30.** Įkraunamą bateriją įkraukite tik originaliais įkrovikliais. Kad būtų išvengta gaisro ir sprogimo rizikos, kiekvienai baterijai reikia naudoti specialų įkroviklį.

► **2.31.** Naudokite tik šiose naudojimo instrukcijose nurodyto tipo elektros maitinimo režimą. Norėdami pakeisti režimą, atlikite išjungimo veiksmus (Skyrius „9. IŠJUNGIMAS“). Kad būtų išvengta didelės žalos, draudžiama keisti maitinimo režimą, kai šildytuvas veikia.

► ► ► 3. KURO RŪŠIS

Naudokite tik I₃B/P kategorijos dujas.

► ► ► 4. DALIŲ APRAŠYMAS

► ► 4.1. MAITINIMO BLOKAS (jei yra):

MAITINIMO BLOKAS NĖRA SKIRTAS BATERIJAI ĮKRAUTI.

(Pav. 4) Šildytuvas veikia prietaisu, vadinamu maitinimo bloku, prijungtas prie elektros tiekimo tinklo. Maitinimo blokas yra sukonstruotas taip, kad iš tinklo priimtų tiekiamą vienfazę kintamąją srovę ir ją konvertuotų į šildytuvui tinkamą išskiriamą nuolatinę srovę. Būtina laikytis maitinimo bloko naudojimo nurodymų (žiūrėkite ant šildytuvo esančią duomenų plokštelę). Maitinimo bloką naudokite tik visiškai sausose, nuo dulkių apsaugotose vietose ir tik šiam šildytuvui. Kad išvengtumėte didelės žalos, periodiškai tikrinkite maitinimo bloko laidų būklę. Laikykitės visų šiose naudojimo instrukcijose nurodytų įspėjimų dėl maitinimo bloko.

► ► 4.2. BATERIJA (jei yra):

(Pav. 5) Šildytuvas gali veikti ir atskirai su originalia įkraunama ličio jonų baterija ir jo nereikia prijungti prie elektros tinklo. Įkraunama baterija pateikiama dalinai įkrauta, todėl prieš naudojant patariama ją visiškai įkrauti. Šildytuvo maitinimui naudokite tik originalias baterijas. Laikykitės visų šiose naudojimo instrukcijose nurodytų įspėjimų dėl baterijos.

► ► 4.3. BATERIJOS ĮKROVIKLIS (jei yra):

(Pav. 6) Baterijos įkroviklis yra sukurtas originalioms įkraunamoms baterijoms įkrauti. Būtina laikytis baterijos įkroviklio naudojimo nurodymų (žiūrėkite ant įkroviklio esančią duomenų plokštelę). Baterijos įkroviklį naudokite tik visiškai sausose, nuo dulkių apsaugotose vietose ir tik šiam šildytuvui naudojamoms originalioms įkraunamoms baterijoms įkrauti. Baterijos įkroviklis yra sukurtas taip, kad, prijungus įkraunamą bateriją, automatiškai reguliuotų įkrovimo ciklą (Pav. 7). Baterijos paieškos fazės metu šviesiniai indikatoriai ant baterijos įkroviklio leidžia sekti procesą (Pav. 8). Laikykitės visų šiose naudojimo instrukcijose nurodytų įspėjimų dėl baterijos įkroviklio.

▶▶▶ 5. DUJŲ BALIONO PRIJUNGIMAS IR KEITIMAS

Dujų balioną keiskite lauke, toli nuo karčio šaltinių ir aplinkoje, kurioje nėra atviros liepsnos.

Dujų balionui prie šildytuvo prijungti naudokite tik šiuos priedus:

- Suskystintų dujų lankstų vamzdį.
- Suskystintų dujų slėgio reguliatorių su apsauginiu vožtuvu.

PATIKRINKITE, AR DUJŲ MAITINIMO VAMZDIS NEPAŽEISTAS. JEI REIKIA JĮ PAKEISTI, NAUDOKITE TIK LANKSČIUS, ATITINKANČIUS NAUDOJIMO SLĖGĮ VAMZDŽIUS, VADOVAUDAMIESI NACIONALINIAIS REIKALAVIMAIS.

▶ Norėdami prijungti dujų balioną prie šildytuvo: **DĖMESIO: VISOS DALYS UŽSUKAMOS PRIEŠ LAIKRODŽIO RODYKLĘ.**

▶ **5.1.**Dujų vamzdį prisukite prie šildytuvo jungties (Pav. 9).

▶ **5.2.**Ant dujų baliono pritaisykite slėgio reguliatorių. Įsitikinkite, kad ant regulatoriaus yra tarpiklis (jei jungtyje toks yra) (Pav. 10).

▶ **5.3.**Dujų vamzdį prijunkite prie slėgio regulatoriaus (Pav. 11).

▶ **5.4.**Atsukite dujų baliono čiaupą (Pav. 12).

▶ **5.5.**Paspauskite regulatoriaus atblokovimo mygtuką (Pav. 13). **Muiluotu vandeniu patikrinkite jungiamųjų dalių sandarumą: jei susidaro burbulai, reiškia, dujos nuteka (Pav. 14).** Dėl didesnės autonomijos, galima kartu sujungti daugiau dujų balionų. Tinkamą naudojimo slėgį (žiūrėkite ant šildytuvo esančią duomenų plokštelę) rodo pateikiamas reguliatorius arba atitinkamas modelis.

▶▶▶ 6. ELEKTROS TIEKIMO ŠALTINIS

NAUDOKITE TIK ŽEMIAU APRAŠYTA ELEKTROS MAITINIMO REŽIMĄ. NORĖDAMI PAKEISTI REŽIMĄ, ATLIKITE IŠJUNGIMO VEIKSMUS (Skyrius „9. IŠJUNGIMAS“).
DRAUDŽIAMA KEISTI MAITINIMO REŽIMĄ, KAI ŠILDYTUVAS VEIKIA.

▶▶ 6.1. ŠILDYTUVAS SU MAITINIMO BLOKU (jei yra):

PRIJUNGIMAS PRIE ELEKTROS TINKLO TURI BŪTI ATLIEKAMAS LAIKANTIS GALIOJANČIŲ NACIONALINIŲ STANDARTŲ. Prieš prijungdami šildytuvą prie elektros tinklo, įsitikinkite, kad:

▶ **6.1.1.**Elektros tinklas turi liekamosios srovės įtaisą ir yra tinkamai įžemintas.

▶ **6.1.2.**Tiekiamos elektros srovės įtampa ir dažnis yra tinkami (žiūrėkite ant maitinimo bloko esančią duomenų plokštelę).

Prijunkite maitinimo bloką prie šildytuvo (Pav. 15), o tuomet prijunkite maitinimo bloką prie elektros tinklo (Pav. 16).

▶▶ 6.2. ŠILDYTUVAS SU ĮKRAUNAMA BATERIJA (jei yra):

NAUDOKITE TIK ORIGINALIAS ANT ŠILDYTUVO ESANČIOJE TECHNINIŲ DUOMENŲ PLOKŠTELĖJE NURODYTOS ĮTAMPOS ĮKRAUNAMAS BATERIJAS.

Įstatykite įkraunamą bateriją į baterijos angą, esančią po šildytuvo pagrindu (Pav. 17).

Įkraunama baterija (esanti pakuotėje ir arba pasirinktina pagal modelį) pateikiama dalinai įkrauta. Kad būtų užtikrinta visa įkraunamos baterijos galia, prieš naudodami įkraukite įkraunamą bateriją originaliu įkrovikliu (kiekvienai baterijai skirtas specialus įkroviklis). Įkraunama baterija turi “NTC” temperatūros daviklį, kuris leidžia bateriją įkrauti tik nuo 0°C iki 40°C temperatūroje. Taip užtikrinama ilgesnė įkraunamos baterijos eksploatacijos trukmė.

▶▶ 6.3. ŠILDYTUVAS SU MAITINIMO BLOKU IR ĮSTATYTA BATERIJA (jei yra):

Prie šildytuvo prijunkite maitinimo bloką (Pav. 15), o tuomet prijunkite maitinimo bloką prie elektros tinklo (Pav. 16) (žiūrėkite ant šildytuvo esančią duomenų lentelę). Šildytuvas automatiškai atjungia įkraunamą bateriją. **MAITINIMO BLOKAS NĖRA SKIRTAS BATERIJAI ĮKRAUTI,** todėl kai šildytuvas yra prijungtas prie elektros tinklo, prijungta baterija neįkraunama.

▶▶▶ 7. ĮJUNGIMAS

▶▶ 7.1. ŠILDYMO REŽIMAS:

▶ 7.1.1. Nustatykite jungiklį „O/I“ į padėtį „I“ (Pav. 18).

▶ 7.1.2. Keletą sekundžių palaukite.

▶ 7.1.3. Iki galo nuspauskite dujų mygtuką ir palaikykite (Pav. 19).

▶ 7.1.4. Iki galo ir pakartotinai žiebkite pjezoelektrinį uždegiklį (Pav. 20) ir kartu laikykite nuspaustą dujų mygtuką (Pav. 19).

▶ 7.1.5. Įsižiebus liepsnai, palaikykite dujų mygtuką nuspaustą dar 15 sekundžių (Pav. 21).

▶ 7.1.6. Paleiskite dujų mygtuką (Pav. 22).

Jei nutrūktų elektros energijos tiekimas arba pritrūktų dujų, šildytuvas išsijungs. Šildytuvas neįsijungia automatiškai, reikia jį įjungti rankiniu būdu, pakartojant įjungimo procedūrą. Jei šildytuvas neįsijungia, žiūrėkite atitinkamą skyrių (Skyrius „12. VEIKIMO TRUKDŽIAI, JŲ PRIEŽASTYS IR TAISYMAS“).

▶▶ 7.2. VENTILIACIJOS REŽIMAS:

Šildytuvą galima naudoti ir kaip ventiliatorių. Įjunkite šildytuvą į elektros lizdą ir (arba) įstatykite įkraunamą bateriją ir nustatykite jungiklį „O/I“ į padėtį „I“ (Pav. 18).

ĮSIDĖMĖKITE: Jei šildytuve veikia šildymo režimas, prieš įjungdami ventiliacijos režimą, tinkamai atlikite išjungimo procedūrą (Skyrius „9. IŠJUNGIMAS“).

▶▶▶ 8. ŠILUMINĖS GALIOS REGULIAVIMAS

Šiluminę galią galima reguliuoti ant šildytuvo pagrindo esančia rankena (Pav. 23).

▶▶▶ 9. IŠJUNGIMAS

▶ 9.1. Užsukite dujų balioną (Pav. 24).

▶ 9.2. Kad išvengtumėte vidinės žalos dėl perkaitimo, palikite ventiliatorių veikti apie 60 sekundžių (šildytuvo vidaus aušinimas).

▶ 7.1.1. Nustatykite jungiklį „O/I“ į padėtį „O“ (Pav. 25).

▶ 9.4. Atjunkite šildytuvą nuo elektros tinklo (Pav. 25) ir (arba) išimkite įkraunamą bateriją arba ją atjunkite (Pav. 27).

▶ 9.5. Atjunkite šildytuvą nuo dujų mitinimo vamzdžio (Pav. 28-29-30).

▶▶▶ 10. VALYMAS IR PRIEŽIŪRA

Bent kartą per metus ir (arba) prireikus kreipkitės į techninės pagalbos centrą, kad patikrintų ar šildytuvas veikia tinkamai. Prieš padedant šildytuvą po eksploatacijos, būtina jį išvalyti.

▶ 10.1. Prieš atlikdami bet kokius šildytuvo priežiūros, patikrinimo ir remonto darbus, atlikite išjungimo procedūrą (Skyrius „9. IŠJUNGIMAS“).

▶ 10.2. Reikia išvalyti tik šildytuvo oro įsiurbimo angą (galinėje dalyje).

▶ 10.3. Jei šildytuvas naudojamas iš naujo, patikrinkite, ar nepažeistas dujų vamzdis; jei abejojate, kreipkitės į techninės pagalbos centrą.

▶ 10.4. Nesiimkite neleistinų veiksmų.

▶▶▶ 11. BATERIJOS LAIKYMAS IR GABENIMAS

NELAIKYKITE IR NESANDĖLIUOKITE BATERIJOS ILGĄ LAIKĄ ŽEMOS TEMPERATŪROS APLINKOJE.

Ličio jonų įkraunamoms baterijoms taikomi pavojingų krovinių įstatymo reikalavimai. Naudotojas kraunamas baterijas gali gabenti kelių transportu, be papildomų atsargumo priemonių. Jei naudojamos trečiųjų šalių paslaugomis (pavyzdžiui, oro transportu ir (arba) ekspeditoriaus paslaugomis), pagal galiojančius standartus turi būti laikomasi specialių reikalavimų. Įkraunamas baterijas siųsti, tik jei nepažeistas jų korpusas. Lipnia juosta užklijuokite atvirus kontaktus ir įkraunamą bateriją supakuokite taip, kad ji pakuotėje nejudėtų. Prašome laikytis ir kitų taikomų nacionalinių standartų.

►►► 12. VEIKIMO TRUKDŽIAI, JŲ PRIEŽASTYS IR TAISYMAS

VEIKIMOTRUKDŽIAI	JŲ PRIEŽASTYS	IR TAISYMAS
Neįsijungia variklis	Nėra įtampos (jei prijungtas prie elektros tinklo)	1.Patikrinkite elektros tinklą 2.Kreipkitės į techninės pagalbos centrą
	Išsikrovusi baterija (jei įjungta baterija)	1.Įkraukite bateriją 2.Kreipkitės į techninės pagalbos centrą
	Sugedęs maitinimo šaltinis arba baterija	Kreipkitės į techninės pagalbos centrą
	Sugedęs variklis	Kreipkitės į techninės pagalbos centrą
Neįsižiebia liepsna	Tuščias dujų balionas	Pakeiskite dujų balioną (Skyrius 5)
	Reguliatoriaus apsauginis vožtuvas užblokuotas	1.Paspauskite reguliatoriaus dujų atblokavimo mygtuką (Pav. 13) 2.Kreipkitės į techninės pagalbos centrą
	Užsuktas dujų baliono čiaupas	Atsukite dujų baliono čiaupą (Pav. 12)
	Sugedusi įjungimo sistema	Kreipkitės į techninės pagalbos centrą
Gęsta liepsna	Per trumpai palaikytas nuspaustas dujų mygtukas	Ilgiau palaikykite nuspaustą dujų mygtuką (Skyrius 7.1.5)
	Sugedęs šildytuvas	Kreipkitės į techninės pagalbos centrą
Veikimo metu gęsta liepsna	Nepakanka dujų	1.Pakeiskite dujų balioną (Skyrius 5) 2.Kreipkitės į techninės pagalbos centrą
	Šildytuvas perkaito	1.Išvalykite oro įsiurbimo angą (galinėje dalyje) 2.Kreipkitės į techninės pagalbos centrą
	Sugedęs šildytuvas	Kreipkitės į techninės pagalbos centrą

SADAĻU KOPSAVILKUMS

1...	APRAKSTS
2...	BRĪDINĀJUMS
3...	DEGVIELAS TIPS
4...	IZSTRĀDĀJUMU APRAKSTS
5...	GĀZES BALONA PIESLĒGŠANA UN NOMAIŅA
6...	ELEKTRISKĀ BAROŠANA
7...	IESLĒGŠANA
8...	SILTUMA JAUDAS REGULĒŠANA
9...	IZSLĒGŠANA
10...	TĪRĪŠANA UN APKOPE
11...	AKUMULATORA UZGLABĀŠANA UN PĀRVIETOŠANA
12...	DARBĪBAS PROBLĒMAS, CĒLOŅI UN RISINĀJUMI

SVARĪGI: IZLASĪT UN SAPRAST ŠO OPERATĪVO ROKASGRĀMATU PIRMS VEIKT ŠĪ ĢENERATORA SALIKŠANU KOPĀ, IEDARBINĀŠANU VAI TEHNISKO APKOPI. ĢENERATORA KĻŪDAINA LIETOŠANA VAR IZRAISĪT NOPIETNUS BOJĀJUMUS. SAGLABĀT ŠO ROKASGRĀMATU, LAI TO IZMANTOTU NĀKOTNĒ.

▶▶▶ 1. APRAKSTS

Tas ir portatīvais gaisa sildītājs kas darbojas ar sašķīdināto gāzi, un kas raksturojas ar pilnīgu degvielas izmantošanu - ietilpdes gaisa un degšanas produktu tiešā maisījuma siltuma apmaiņas rezultātā. Tas ir aprīkots ar ērtu rokturi vieglai transportēšanai un pārvietošanai. Šo sildītāju var darbināt, izmantojot konkrētu AC adapteri, vai arī, izmantojot akumulatoru sistēmu. Tas tiek ražots saskaņā ar EN 1596 standarta prasībām.

▶▶▶ 2. BRĪDINĀJUMS

▶ **⚠SVARĪGI:** Neizmanto dzīvojamo ēku apdzīvojamās zonās apkurei; lietošanai sabiedriskās ēkās, skatīt valsts normatīvos aktus.

▶ **⚠SVARĪGI:** Šis sildītājs nav paredzēts lietošanai personām (ieskaitot bērnus) ar ierobežotām fiziskām, sensorālām vai garīgajām spējām, vai nepieredzējušiem, ja vien viņus neuzrauga par viņu drošību atbildīgas personas. Bērni jāuzrauga, nodrošinot, lai viņi nerotaļātos ar sildītāju. Turiet mājdzīvniekus drošā attālumā no sildītāja.

▶ **⚠SVARĪGI:** Šī sildītāja nepareiza lietošana var izraisīt materiālos bojājumus vai nāves draudus personām, traumas, apdegumus, sprādzienu, elektrošoka vai saindēšanās riskus. Nosmakšanas no oglekļa monoksīda pirmie simptomi ir līdzīgi gripai: galvassāpes, reibonis un/vai slikta dūša. Šos simptomus var izraisīt sildītāja darbības traucējumi. **JA PARĀDĀS KĀDS NO ŠIEM SIMPTOMIEM, NEKAVĒJOTIES IZEJIET SVAIGĀ gaisā un nododiet sildītāju labošanai tehniskā atbalsta dienesta centrā.**

▶ **⚠SVARĪGI:** Visi tīrīšanas, apkopes un remontdarbi, kas saistīti ar piekļuvi bīstamajām daļām, jāveic ražotājam, tā tehniskajam atbalsta dienestam vai līdzīgi kvalificētai personai, lai novērstu jebkādu risku, pat tad, ja tiek paredzēta atslēgšana no barošanas avota.

▶ **2.1.** Pareizai sildītāja lietošanai un degvielas saglabāšanai jāievēro visi vietējie priekšraksti un spēkā esošie noteikumi.

▶ **2.2.** Sildītāja darbībai ir nepieciešama atbilstoša gaisa apmaiņa. Tāpēc tas jādarbina ārpus telpām, vai arī telpās, kurās

ir nodrošināta nepārtraukta gaisa apmaiņa. Laba ventilācija tiek nodrošināta, ja telpas tilpums tiek aprēķināts attiecībā uz siltuma jaudu, izmantojot formulu: 1m^3 uz 100W jaudas. Jebkurā gadījumā, ieteicamais telpas apjoms nedrīkst būt mazāks par 100m^3 . Labu ventilāciju nodrošina atvere, kas atbilst formulai: 25cm^2 uz vienu kW siltuma jaudas, ar minimālo virsmu 250cm^2 , kas ir vienmērīgi sadalīta starp telpas augšējo un apakšējo daļu. Uzstādot sildītāju, jāpiemēro spēkā esošie valsts noteikumi, tostarp tehniskie standarti un noteikumi par drošību un ugunsgrēku novēršanu.

► **2.3.** Sildītāju drīkst lietot tikai, lai apsildītu gaisu (sildīšanas režīms), vai arī, lai pārvietotu gaisu (ventilācijas režīms). Lietojot sildītāju, rūpīgi ievērojiet šo instrukciju.

► **2.4.** Ražotājs nenes nekādu atbildību par materiāliem un/vai miesas bojājumiem, kas radušies sildītāja nepareizas lietošanas rezultātā.

► **2.5.** Sildītāju drīkst barot tikai ar degvielas tipu, kas skaidri norādīts uz sildītājam pievienotās datu plāksnītes.

► **2.6.** Pārliedzieties, vai sildītāja pieslēgums elektriskajam tīklam ir pareizi aprīkots ar diferenciālo slēdzi un atbilstošu zemējumu.

► **2.7.** Izmantot tikai piemērota garuma pagarinātāju ar zemējuma vadu.

► **2.8.** Sildītājam jādarbojas uz horizontālas, stabilas un ugunsdrošas virsmas, lai novērstu jebkādu ugunsgrēka risku.

► **2.9.** Pilnībā aizliegts izmantot sildītāju pagrabos vai pazemes telpās.

► **2.10.** Sildītāju nedrīkst lietot telpās, kur ir sprādzienbīstami putekļi, dūmi, gāzes, degviela, šķīdinātāji vai krāsas.

► **2.11.** Ja sildītājs tiek izmantots nojumēs, telts vai līdzīgu seguma materiālu tuvumā, ieteicams izmantot papildu ugunsdrošas aizsardzības ierīces. Pārliedzieties, vai tiek saglabāts atbilstošais attālums no karstajām sildītāja daļām, kas nekādā gadījumā nedrīkst būt mazāks par $2,5\text{m}$ no uzliesmojošiem (auduma, papīra, koka, utt.) vai termoneizturīgiem (ieskaitot, AC adaptera kabeli, ja tāds ir) materiāliem.

► **2.12.** Gāzes balons jānovieto aizsargātā stāvoklī aiz ierīces (Att. 1). Sildītājs nedrīkst būt orientēts uz gāzes balonu (Att. 2)

► **2.13.** Nekādā gadījumā nedrīkst aizklāt pilnībā vai daļēji gaisa ieplūdes (aizmugurē) un/vai gaisa izplūdes atveri (priekšpusē) (Att. 3) Izvairieties izmantot jebkuru gaisa novirzi no/uz sildītāju. Pārliedzieties, vai nav bloķēta gaisa ieplūdes atvere pamatnes apakšējā daļa (modeļiem, kuros ir šis risinājums).

► **2.14.** Gadījumā, ja nav iespējams ieslēgt sildītāju, vai arī ir ieslēgšanas kļūme, skatīt atbilstošo sadaļu (Sadaļa "12. DARBĪBAS PROBLĒMAS, CĒLOŅI UN RISINĀJUMI").

► **2.15.** Ieslēgtu sildītāju nedrīkst pārvietot, ar to rīkoties, ne arī veikt tā apkopi.

► **2.16.** Jebkādos sildītāja lietošanas vai uzglabāšanas apstākļos pārliedzieties, vai nav bojāta elastīgā gāzes šļūtene (saspiesta, izliekta, savīta, izstiepta, utt.).

► **2.17.** Ja ir jūtama gāzes smaka, nekavējoties izslēdziet sildītāju, aizveriet gāzes balonu, atvienojiet AC adapteri no tīkla un/vai izņemiet akumulatoru un sazinieties ar tehniskā atbalsta dienestu.

► **2.18.** Gadījumā, ja jānomaina gāzes caurule, izmantojiet tikai elastīgās šļūtenes ar piemērotu darba spiedienu, ievērojot valsts noteikumus. Gāzes caurulei jābūt $1,5\text{m}$ garai.

► **2.19.** Ja sildītājs netiek lietots, atvienojiet AC adapteri no tīkla un/vai izņemiet akumulatoru, izslēdziet gāzes padevi, atvienojiet šļūteni no gāzes sildītāja un aizveriet ar vāciņu gāzes sildītāja ieplūdi.

► **2.20.** Lai nodrošinātu sildītāja pienācīgu darbību, tehniskajam atbalsta dienestam tas jāpārbauda vismaz reizi gadā, un/vai saskaņā ar prasībām.

► **2.21.** Pārliedzieties, vai sildītājs ir izslēgts, pirms pievienot AC adaptera elektrisko spraudni un/vai ievietot akumulatoru, lai novērstu jebkādu risku.

► **2.22.** Izmantojiet tikai oriģinālo akumulatoru, kas ir skaidri paredzēts. Neparedzēta akumulatora izmantošana var izraisīt materiālos bojājumus vai nāves draudus personām, traumas, apdegumus, sprādziena, elektrošoka vai saindēšanās riskus.

► **2.23.** Uzturiet drošības attālumu starp atvienotu akumulatoru un spailēm, monētām, atslēgām, naglām, skrūvēm vai citiem maziem metāla priekšmetiem, kas var izraisīt īssavienojumu. Īssavienojums starp akumulatora kontaktiem var izraisīt materiālus

vai miesas bojājumus, traumas, apdegumus, sprādziena risku, utt.

► **2.24.** Nepareiza akumulatora izmantošana var izraisīt akumulatora šķidrums noplūdi. Pilnībā izvairieties no saskares ar to. Ja notikusi nejauša saskare, rūpīgi izskalot vietu ar ūdeni. Nekavējoties meklēt medicīnisko palīdzību, ja šķidrums nonāk saskarē ar acīm. Šķidrums, kas izplūst no akumulatora, var izraisīt kairinājumu vai apdegumus.

► **2.25.** Nepareiza akumulatora izmantošana var izraisīt akumulatora tvaiku noplūdi. Pilnībā izvairieties ieelpot šos tvaikus. Nejaušas ieelpošanas gadījumā ļaujiet ieplūst svaigam gaisam un sūdzību gadījumā meklējiet medicīnisko palīdzību. Šie tvaiki var kairināt elpošanas traktu.

► **2.26.** Lai novērstu nopietnu apdraudējumu, nemēģiniet akumulatoru atvērt vai izjaukt.

► **2.27.** Lai novērstu nopietnu apdraudējumu, aizsargājiet akumulatoru no karstuma iedarbības (piemēram, no nepārtrauktas saules staru, uguns, ūdens, mitruma, utt. iedarbības).

► **2.28.** Lai novērstu bīstamas pārslodzes, izmantojiet tikai šim konkrētajam sildītājam īpaši paredzēto akumulatoru.

► **2.29.** Izmantojiet tikai konkrēto, oriģinālo akumulatoru ar spriegumu, kas norādīts uz sildītāja plāksnītes. Gadījumā, ja tiek izmantoti citi akumulatori (piemēram, imitācijas akumulatori, atjaunoti akumulatori, konkurences akumulatori, utt.), pastāv miesas bojājumu un/vai eksplozijas risks.

► **2.30.** Uzlādējiet akumulatoru tikai ar oriģinālo akumulatoru lādētāju. Lai izvairītos no ugunsgrēka un sprādziena riska, katram akumulatoram jāizmanto tā īpašais akumulatora lādētājs.

► **2.31.** Izmantojiet tikai to barošanas režīmu, kas paredzēts šajā rokasgrāmatā. Lai pārslēgtos no viena režīma uz otru, jāievēro izslēgšanas secība (Sadaļa "9. IZSLĒGŠANA"). Lai novērstu būtiskus bojājumus, aizliegts mainīt barošanas režīmu sildītājam darbojoties.

► ► ► 3. DEGVIELAS TIPS

Lietojiet tikai I₃B/P kategorijas gāzi.

► ► ► 4. IZSTRĀDĀJUMU APRAKSTS

► ► 4.1. AC ADAPTERIS (ja tāds ir):

AC ADAPTERIM NAV AKUMULATORA UZLĀDES FUNKCIJAS.

(Att. 4) Sildītājs var darboties, to pieslēdzot pie elektrotīkla ar ierīces palīdzību, ko sauc par AC adapteri. AC adapteris ir paredzēts, lai saņemtu vienas fāzes maiņstrāvu, kas tiek piegādāta no tīkla, un lai to pārvērstu par līdzstrāvu, kas piemērota sildītāja darbībai. Jāievēro AC adaptera darbības parametri (skatīt AC adaptera datu plāksnīti). Izmantojiet AC adapteri pilnīgi sausās un no putekļiem aizsargātās vietās, lai nodrošinātu barošanu tikai šim sildītājam. Lai izvairītos no nopietniem bojājumiem, periodiski pārbaudiet AC adaptera kabeli. Ievērojiet visus brīdinājumus attiecībā uz AC adapteri, kas aprakstīti šajā rokasgrāmatā.

► ► 4.2. AKUMULATORS (ja tāds ir):

(Att. 5) Sildītājs var darboties autonomi, izmantojot oriģinālo litija-jonu akumulatoru, nepieslēdzot to elektrotīklam. Akumulators tiek piegādāts daļēji uzlādēts, un šī iemesla dēļ ir ieteicams veikt pilnu uzlādes ciklu pirms akumulatora lietošanas. Lai darbinātu sildītāju, izmantojiet tikai oriģinālos akumulatorus. Ievērojiet visus brīdinājumus attiecībā uz akumulatoru, kas aprakstīti šajā rokasgrāmatā.

► ► 4.3. AKUMULATORA LĀDĒTĀJS (ja tāds ir):

(Att. 6) Akumulatora lādētājs ir paredzēts, lai uzlādētu oriģinālos akumulatorus. Jāievēro akumulatoru uzlādētāja darbības parametri (skatīt akumulatoru lādētāja datu plāksnīti). Izmantojiet lādētāju pilnīgi sausās un no putekļiem aizsargātās vietās, lai uzlādētu tikai oriģinālos akumulatorus, kas tiek izmantoti, lai darbinātu šo sildītāju. Akumulatoru lādētājs ir izstrādāts, lai automātiski veiktu lādēšanas ciklu, kad ir pievienots akumulators (Att. 7). Vairākas signāllampiņas, kas atrodas uz akumulatora, ļauj veikt detalizētu diagnostiku akumulatora uzlādēšanas laikā (Att. 8). Ievērojiet visus brīdinājumus attiecībā uz akumulatoru lādētāju, kas aprakstīti šajā rokasgrāmatā.

►►► 5. GĀZES BALONA PIESLĒGŠANA UN NOMAIŅA

Gāzes balons jānomaina svaigā gaisā, prom no siltuma un degšanas avotiem.

Lai pievienotu gāzes balonu sildītājam, jāizmanto tikai šādi piederumi:

- Elastīga šķidrās gāzes šļūtene.
- Šķidrās gāzes spiediena regulatora drošības vārstu komplekts.

PĀRBAUDĪT PADEVES CAURULES INTEGRITĀTI. GADĪJUMĀ, JA TĀ IR JĀAIZSTĀJ, IZMANTOJIET TIKAI ELASTĪGĀS ŠĻŪTENES, KAS ATBILST DARBA SPIEDIENAM, IEVĒROJOT VALSTS TIESĪBU AKTU PRASĪBAS.

► Lai pieslēgtu sildītāju gāzes balonam:

UZMANĪBU: VISAS VĪTNES IR KREISĀS, T.I., TIEK AIVĒRTAS PRETĒJI PULKSTENRĀDĪTĀJA KUSTĪBAS VIRZIENAM.

► **5.1.** Pieskrūvējiet gāzes cauruli sildītājam (Att. 9.)

► **5.2.** Uzstādiet spiediena regulatoru uz gāzes balona. Pārliedzieties, vai uz regulatora ir uzstādīta blīve (ja tā ir paredzēta stiprinājuma tipam) (Att. 10).

► **5.3.** Pievienojiet gāzes šļūteni spiediena regulatoram (Att. 11).

► **5.4.** Atveriet gāzes balona vārstu (Att. 12).

► **5.5.** Nospiediet regulētāja atbrīvošanas pogu (Att. 13). **Burbuļu izveidošanās norāda uz gāzes noplūdi (Att. 14).** Lai panāktu lielāku autonomiju, ir iespējams pieslēgt vairākus gāzes balonus. Pareizs darba spiediens (skatīt pie sildītāja piestiprināto datu plāksnīti) tiek aprēķināts attiecībā uz piegādāto regulatoru vai ekvivalentu modeli.

**►►► 6. ELEKTRISKĀ BAROŠANA
IZMANTOJIET BAROŠANAS AVOTA
REŽĪMU TIKAITĀ, KĀ APRAKSTĪTS TĀLĀK.
LAI PĀRSLĒGTOS NO VIENA REŽĪMA UZ
OTRU, JĀIEVĒRO IZSLĒGŠANAS SECĪBA
(Sadaļa "9. IZSLĒGŠANA"). AIZLIEGTS
MAINĪT BAROŠANAS AVOTA REŽĪMU,
SILDĪTĀJAM DARBOJOTIES.**

**►► 6.1. SILDĪTĀJA BAROŠANA,
IZMANTOJOT AC ADAPTERI (ja tāds ir):
PIESLĒGŠANA ELEKTROTĪKLAM JĀVEIC
SASKAŅĀ AR VALSTS TIESĪBU NORMU
PRASĪBĀM.**

Pirms sildītāja pievienošanas elektrotīklam, pārliedzieties, vai:

► **6.1.1.** Elektrotīkls ir aprīkots ar diferenciālo slēdzi un atbilstošu zemējumu.

► **6.1.2.** Barošanas spriegums un frekvence ir pareizi (skatīt barošanas avota datu plāksnīti). Pievienojiet AC adapteri sildītājam (Att. 15) un pievienojiet AC adapteri elektrotīklam (Att. 16) un pievienojiet AC adapteri elektrotīklam (Att. 16).

**►► 6.2. SILDĪTĀJA BAROŠANA,
IZMANTOJOT AKUMULATORU (ja tāds ir):
IZMANTOJIET TIKAI ORIĢINĀLOS
AKUMULATORUS AR SPRIEGUMU, KAS
REDZAMS SILDĪTĀJA TEHNISKO DATU
PLĀKSNĪTĒ.**

Ievietojiet akumulatoru nodalījumā, kas atrodas zem sildītāja pamatnes (Att. 17).

Akumulators (piegādāts iepakojumā, un/vai pēc izvēles atkarībā no modeļa) tiek piegādāts daļēji uzlādēts. Lai nodrošinātu akumulatora pilnu jaudu, pirms pirmās lietošanas reizes tas pilnībā jāuzlādē, izmantojot oriģinālo akumulatoru lādētāju (katram akumulatoram ir īpašs akumulatoru lādētājs). Akumulators ir aprīkots ar temperatūras kontrolierīci "NTC", kas ļauj uzlādēt tikai temperatūras diapazonā no 0°C līdz 40°C. Tādā veidā tiek pagarināts akumulatora kalpošanas laiks.

**►► 6.3. SILDĪTĀJA BAROŠANA,
IZMANTOJOT AC ADAPTERI AR
IEVIETOTU AKUMULATORU (ja tāds ir):**
Pievienojiet AC adapteri sildītājam (Att. 15) un pievienojiet AC adapteri elektrotīklam (Att. 16) (skatīt datu plāksnīti, kas piestiprina pie sildītāja). Sildītājs automātiski izslēdz akumulatoru. **AC ADAPTERIM NAV AKUMULATORA UZLĀDES FUNKCIJAS,** tāpēc, ja sildītājs tiek darbināts no elektrotīkla, pieslēgtais akumulators nav jāuzlādē.

►►► 7. IESLĒGŠANA

►► 7.1. SILDĪŠANAS REŽĪMS:

► 7.1.1. Pārslēgt slēdzi „O/I” stāvoklī „I” (Att. 18).

► 7.1.2. Uzgaidīt dažas sekundes.

► 7.1.3. Nospiediet gāzes pogu līdz galam un turiet to nospiestu (Att. 19).

► 7.1.4. Nospiediet atkārtoti līdz galam pjezoelektriskās šķiltavas (Att. 20), turot nospiestu gāzes pogu (Att. 19).

► 7.1.5. Pēc liesmas aizdedzes nospiediet un turiet nospiestu gāzes pogu aptuveni 15 s (Att. 21).

► 7.1.6. Atlaidiet gāzes pogu (Att. 22).

Gadījumā, ja tiek pārtraukta elektroenerģijas padeve vai arī trūkst gāzes, sildītājs izslēdzas. Sildītāja atkārtota aizdegšana nenotiek automātiski, bet tā jādarā manuāli, atkārtojot aizdedzes procedūru. Ja sildītājs neiedegas, skatīt attiecīgo sadaļu (Sadaļa “12. DARBĪBAS PROBLĒMAS, CĒLOŅI UN RISINĀJUMI”).

►► 7.2. VENTILĀCIJAS REŽĪMS:

Sildītāju var izmantot arī kā ventilatoru. Pieslēdziet sildītājam elektrisko kontaktdakšu un/vai ievietojiet akumulatoru un pagrieziet slēdzi stāvoklī „O/I” stāvoklī „I” (Att. 18).

N.B.: Ja sildītājs darbojas sildīšanas režīmā, pirms to pārslēgt uz ventilācijas režīmu, jāievēro pareiza izslēgšanas secība (Sadaļa “9. IZSLĒGŠANA”).

►►► 8. SILTUMA JAUDAS REGULĒŠANA

Siltuma jaudu var regulēt, pagriežot pogu sildītāja pamatnē (Att. 23).

►►► 9. IZSLĒGŠANA

► 9.1. Aizveriet gāzes balonu (Att. 24).

► 9.2. Lai novērstu iekšējos bojājumus pārkaršanas rezultātā (sildītāja iekšējā dzesēšana), ļaujiet ventilatoram darboties aptuveni 60 s.

► 9.3. Pārslēdziet slēdzi „O/I” stāvoklī „O” (Att. 25).

► 9.4. Atvienojiet sildītāju no tīkla (Att. 26) un/vai izņemiet akumulatoru vai arī atvienojiet akumulatoru no elektrotīkla (Att. 27).

► 9.5. Atvienojiet sildītāju no gāzes padeves caurules (Att. 28-29-30).

►►► 10. TĪRĪŠANA UN APKOPE

Lai nodrošinātu sildītāja pienācīgu darbību, tehniskajam atbalsta dienestam tas jāpārbauda vismaz reizi gadā, un/vai saskaņā ar prasībām. Pirms sildītāja uzglabāšanas pēc lietošanas tās ir jānotīra.

► 10.1. Pirms sākt jebkāda veida sildītāja apkopes un remontdarbus, ir jāievēro izslēgšanas secība (Sadaļa “9. IZSLĒGŠANA”).

► 10.2. Tīrīšana attiecas tikai uz sildītāja gaisa ieplūdi (sildītāja aizmugurē).

► 10.3. Ja sildītājs tiek atkārtoti izmantots, pārbaudiet gāzes caurules integritāti; ja jums rodas šaubas, sazinieties ar tehniskā atbalsta dienestu.

► 10.4. Neveiciet neatļautu darbu.

►►► 11. AKUMULATORA UZGLABĀŠANA UN PĀRVIETOŠANA

NETURIET UN NEGLABĀJIET AKUMULATORU ZEMĀ TEMPERATŪRĀ ILGU LAIKU.

Litija jonu akumulatori ir pakļauti likuma prasībām, kas attiecas uz bīstamām precēm. Akumulatorus var transportēt pa satiksmes ceļu bez turpmākiem pasākumiem. Attiecībā uz nosūtīšanu caur trešo personu (piemēram, gaisa transports un/vai ekspeditors) ir jāievēro īpašas prasības saskaņā ar piemērojamiem noteikumiem. Nosūtiet akumulatoru tikai tad, ja nav bojāts tā apvalks. Pārklājiet ar līmlenti atvērtos kontaktus, un iepakojiet akumulatoru tādā veidā, lai tas iesaiņojumā nepārvietotos. Lūdzu, ņemiet vērā arī jebkādas papildu valsts prasības.

►►► 12. DARBĪBAS PROBLĒMAS, CĒLOŅI UN RISINĀJUMI

DARBĪBAS DARBA REŽĪMS	CĒLOŅI	RISINĀJUMI
Dzinējs neiedarbojas	Trūkst spriegums (ja barošana ir no tīkla)	1.Pārbaudīt tīkla sistēmu 2.Tehniskais atbalsta dienests
	Akumulators izlādējies (ja darbina ar akumulatoru)	1.Uzlādēt akumulatoru 2.Tehniskais atbalsta dienests
	Bojāts barošanas avots vai akumulators	Tehniskais atbalsta dienests
	Dzinēja atteice	Tehniskais atbalsta dienests
Liesma neiedegas	Balonā nav gāzes	Nomainīt gāzes balonu (Sadaļa 5)
	Bloķēts regulatora drošības vārsts	1.Nospieš gāzes regulatora atbrīvošanas pogu (Att. 13) 2.Tehniskais atbalsta dienests
	Gāzes balona vārsts aizvērts	Atvērt gāzes balona vārstu (Att. 12)
	Aizdedzes ķēde bojāta	Tehniskais atbalsta dienests
Liesma nepaliek degot	Gāzes poga ir nospiesta uz leju nepietiekami ilgu laiku	Nospiediet gāzes pogu ilgāk (Sadaļa 7.1.5.)
	Sildītājs bojāts	Tehniskais atbalsta dienests
Darbības laikā nodziest liesma	Nepietiekama gāzes piegāde	1.Nomainīt gāzes balonu (Sadaļa 5) 2.Tehniskais atbalsta dienests
	Sildītāja pārkaršana	1.Notīrīt gaisa ieplūdi (aizmugurējā daļā) 2.Tehniskais atbalsta dienests
	Sildītājs bojāts	Tehniskais atbalsta dienests

SISUKORD


1...	KIRJELDUS
2...	HOIATUSED
3...	KÜTUSE TÜÜP
4...	TOODETE KIRJELDUS
5...	GAASIBALLOONIDE ÜHENDAMINE JA VAHETUS
6...	ELEKTRITOIDE
7...	KÄIVITAMINE
8...	SOOJUSVÕIMSUSE REGULEERIMINE
9...	VÄLJALÜLITAMINE
10...	PUHASTAMINE JA HOOLDUS
11...	AKU HOIUSTAMINE JA TRANSPORT
12...	RIKKED, NENDE PÕHJUSED JA ABINÕUD


TÄHTIS: ENNE ÕHUSOOJENDI KOKKUPANEMIST, TÖÖLEPANEKUT VÕI HOOLDAMIST TULEB KÄESOLEV TÖÖJUHEND LÄBI LUGEDA JA SELLEST ARU SAADA. ÕHUSOOJENDI VÄÄR KASUTAMINE VÕIB PÕHJUSTADA RASKEID VIGASTUSI. HOIDKE SEE JUHEND EDASPIDISEKS KASUTAMISEKS ALLES.


▶▶▶ 1. KIRJELDUS


See on kaasaskantav vedelgaasil töötav soojapuhur. Selle soojapuhuri eripära on kütuse kogu soojusenergia ära kasutamine, mis saavutatakse õhu ja põlemisproduktide intensiivse soojusvahetuse teel. Soojapuhuril on mugav käepide, tänu millele on seda lihtne teisaldada ja transportida. Soojapuhuri toiteks sobib vastav toiteplokk või laetavate akude süsteem. Toode vastab standardile EN 1596.

▶▶▶ 2. HOIATUSED

▶  **TÄHTIS:** Mitte kasutada puhurit eluruumide või kodumajapidamises kasutatavate ruumide soojendamiseks; avalikes hoonetes kasutamisel tutvuge kohalike normatiividega.

▶  **TÄHTIS:** See seade ei ole mõeldud kasutamiseks füüsiliste, sensoorsete ja vaimsete puuetega või kogenematutele inimestele (sh lastele), v.a juhul, kui see toimub nende ohutuse eest vastutava isiku järelevalve all. Tuleb tagada, et lapsed ei mängiks soojapuhuriga. Ohutuse nimel ärge lubage loomi soojapuhuri lähedusse.

▶  **TÄHTIS:** Soojapuhuri vale kasutamine võib põhjustada kahjustusi, olla eluohtlik või kaasa tuua põletusi, plahvatusi, elektrišokki ja mürgistust. Vingugaasi lämbumise esimesed sümptomid sarnanevad gripi sümptomitega: peavalu, pearinglus ja/või iiveldus. Samasuguseid sümptomeid võib põhjustada soojapuhuri rike. **NENDE SÜMPTOMITE ILMNEMISEL MINGE VIIVITAMATULT VÄRKSE ÕHU KÄTTE** ning laske soojapuhur kvalifitseeritud tehnikutel ära parandada.

▶  **TÄHTIS:** Et vältida mis tahes riske – ka juhul kui on ette nähtud seadme vooluõrgust eraldamine –, tuleb igasugused puhastus-, hooldus- ja remonditööd, mis eeldavad juurdepääsu ohtlikele osadele, teha toote ehitajal, tema volitatud tehnilise abi keskuses või inimesel, kellel on samasugused oskused.

▶ **2.1.** Soojapuhuri kasutamisel ja kütuse säilitamisel tuleb järgida kõiki kohalikke ettekirjutusi ja kehtivaid normatiive.

▶ **2.2.** Et soojapuhur korralikult töötaks, peab olema tagatud piisav õhuvahetus. Seetõttu saab puhurit kasutada õues või ruumides, kus pidev

õhuvahetus on kindlustatud. Hea õhuvahetus on kindlustatud, kui arvestatakse ruumi suuruse ja soojusvõimsuse vahekorda nii, et iga 100 W võimsuse kohta vastab 1m^3 . Mitte mingil juhul ei tohi ruum olla väiksem kui 100m^3 . Hea ventilatsiooni tagavad õhutusavad, mis vastavad valemile 25cm^2 ühe kW soojusvõimsuse kohta, miinimum on 250cm^2 , mis on võrdselt jagatud ruumi alumise ja ülemise osa vahel. Puhuri paigaldamisel järgida kohalikke kehtivaid normatiive, k.a tehnilisi, ohutust puudutavaid ja tulekahju vältimise ettekirjutusi.

► **2.3.** Soojapuhurit võib kasutada üksnes õhu soojendamiseks (soojendusrežiim) või õhuringluse tekitamiseks (ventilatsioonirežiim). Kasutamisel järgida üksikasjalikult käesolevat juhendit.

► **2.4.** Toote valmistaja ei võta endale mingit vastutust inimestele ja/või esemetele tekitatud kahju eest, mille on põhjustanud puhuri vale kasutamine.

► **2.5.** Kasutage soojapuhuris üksnes seda tüüpi kütust, mis on märgitud andmete sildile puhuri peal.

► **2.6.** Kontrollige, et soojapuhur ühendatakse ainult sellisesse vooluvõrku, mis on nõuetekohaselt varustatud rikkevoolukaitsme ja sobiva maandusega.

► **2.7.** Kasutage ainult vastavaks otstarbeks sobivaid pikendusid, mille juhtmeline on maandus.

► **2.8.** Et vältida tulekahju ohtu, peab töötav puhur seisma tasasel pinnal, mis on stabiilne ja tulekindel.

► **2.9.** Rangelt keelatud on kasutada soojapuhurit pooleldi või üleni allpool maapinda asuvates ruumides.

► **2.10.** Soojapuhurit ei tohi kasutada ruumides, kus leidub plahvatusohtlikku tolmu, suitsu, gaasi, kütuseid, lahusteid või värve.

► **2.11.** Kui soojapuhurit kasutatakse telkide, presendi või muude sarnaste varjualuste läheduses, on soovitatav kasutada tulekindlat lisakaitset. Hoolitsege, et puhuri kaugus oleks sobiv, mitte kunagi ei tohi selle soojad osad olla tuleohtlikele materjalidele (kangas, paber, puit jne) ning temperatuuritundlikele esemetele (k.a toiteploki juhe, kui see on kasutuses) lähemal kui 2,5m.

► **2.12.** Asetage gaasiballoon turvalisse kohta seadme taha (Joonis 1). Soojapuhur ei tohi mitte kunagi olla suunatud gaasiballooni poole (Joonis 2).

► **2.13.** Mitte mingil põhjusel ei tohi takistada osaliselt või täielikult õhu juurdepääsu (tagumine kül) ja/või blokeerida õhu väljapääsu (esimene kül) (Joonis 3). Vältige mis tahes soojapuhuri poole suunatud või sealt poolt tulevate õhuvoogude kasutamist. Kontrollige, et õhutusavad puhuri alumisel osal ei oleks takistatud (mudelitel, millel on selline lahendus).

► **2.14.** Kui soojapuhur ei käivitu või käivitub ebakorrektselt, lugege kasutusjuhendi vastavat peatükki (Pt "12. RIKKED, NENDE PÕHJUSED JA ABINÕUD").

► **2.15.** Kui soojapuhur töötab, ei tohi seda mitte mingil tingimusel ühest kohast teise tõsta ega võtta ette mis tahes toiminguid või hooldustöid.

► **2.16.** Ükskõik kas soojapuhur on kasutuses või mitte, hoolitsege, et painduv gaasivoolik ei saaks kahjustada (sellesse ei tekiks vigastusi, see poleks kokku murtud, väändunud, venitatud jne).

► **2.17.** Kui tunnete gaasilõhna, lülitage soojapuhur kohe välja, sulgege gaasiballoon, eraldage pistik toitalikast ja/või laetav aku soojapuhuri küljest ning seejärel võtke ühendust tehnilise abiga.

► **2.18.** Gaasivooliku võib välja vahetada üksnes kasutatava rõhuga sobiva painduva vooliku vastu, kui järgitakse kohalikke normatiive. Gaasivoolik peab olema 1,5m pikkune.

► **2.19.** Kui soojapuhur ei ole kasutuses, võtke toiteploki pistik vooluvõrgust välja ja/või eemaldage laetav aku, sulgege gaasitoide, võtke gaasivoolik soojapuhuri küljest ära ja pange puhuri gaasi sissevooluavale kork peale.

► **2.20.** Laske tehnilisel abil soojapuhuri töökorras olekut kontrollida vähemalt kord aastas või vastavalt vajadusele.

► **2.21.** Et vältida mis tahes riski, kontrollige, et soojapuhur oleks välja lülitatud, enne kui toiteploki pistiku vooluvõrku ühendate ja/või puhurile laetava aku paigaldate.

► **2.22.** Kasutage ainult täpselt selliseid laetavaid originaalakusid, mis teie soojapuhurile on ette nähtud. Teistsuguste laetavate akude kasutamine võib põhjustada kahjustusi, olla

eluohtlik või kaasa tuua põletusi, plahvatusi, elektrišokki ja mürgistust.

► **2.23.** Hoidke soojapuhuri küljest eemaldatud laetav aku ohutus kauguses klambritest, müntidest, võtmetest, naeltest, mutritest ja muudest väikestest metallosadest, mis võivad põhjustada lühise. Lühis laetava aku kontaktide vahel võib põhjustada kahjustusi, olla eluohtlik või kaasa tuua põletusi, plahvatusi jne.

► **2.24.** Laetava aku vale kasutuse korral võib vedelik akust välja voolata. Sellega kokkupuudet tuleb igal juhul vältida. Kui kogemata vedelikuga kokku puutute, loputage see hoolikalt veega maha. Kui vedelik satub silma, pöörduge viivitamatult arsti poole. Laetavast akust välja voolanud vedelik võib põhjustada nahaärritust ja põletusi.

► **2.25.** Laetava aku vale kasutuse korral võivad aurud akust välja pääseda. Nende sissehingamist tuleb igal juhul vältida. Laske ruumi värsket õhku ja kui olete aure sisse hinganud, pöörduge vaevuste ilmnemisel arsti poole. Aurud võivad ärritada hingamisteid.

► **2.26.** Et vältida tõsiseid ohte, ärge püüdke laetavat akut avada või laiali lammutada.

► **2.27.** Et vältida tõsiseid ohte, kaitske laetavat akut sooja eest (näiteks tule, pideva päikesekiirguse, aga ka vee, niiskuse jne eest).

► **2.28.** Kasutage üksnes sellele soojapuhurile ette nähtud laetavat akut, et vältida ohtlikku ülekoormust.

► **2.29.** Kasutage ainult laetavaid originaalakusid, mille pinge vastab tehnilistele näitajatele, nagu need on märgitud soojapuhuri sildil. Teiste laetavate akude (näiteks järeletehtud, taaskasutusse võetud või konkureerivad akud) kasutamisega kaasneb vigastuste ja/või plahvatusoht.

► **2.30.** Laadige laetavat akut üksnes originaallaadijaga. Et vältida tulekahjut ja plahvatusi, tuleb igat akut laadida ainult talle ette nähtud laadijaga.

► **2.31.** Kasutage ainult selliseid elektrilisi toiteallikaid, nagu näeb ette see kasutusjuhend. Ühe allika teise vastu vahetamisel järgige seiskamiseks vajalikke toiminguid (Pt "9. VÄLJALÜLITAMINE"). Et vältida raskeid kahjustusi, on töötava soojapuhuri toiteallika vahetamine keelatud.

► ► ► 3. KÜTUSE TÜÜP

Kasutage ainult I₃B/P kategooria gaase.

► ► ► 4. TOODETE KIRJELDUS

► ► 4.1. TOITEPLOKK (olemasolu korral):

TOITEPLOKIL EI OLE AKULAADIJA FUNKTSIOON.

(Joonis 4) Soojapuhur saab töötada, kui see on elektrivõrku ühendatud toiteploki kaudu. Toiteplokk on projekteeritud nii, et see muundab võrgust tuleva monofaasilise vahelduvvoolu alalisvooluks, mis sobitub soojapuhuriga. Tuleb silmas pidada toiteploki funktsioneerimisparameetreid (vaadake andmeid toiteploki sildilt). Kasutage toiteploki täielikult kuivades ja tolmuwabades kohtades ning üksnes selle soojapuhuriga. Kontrollige korrapäraselt toitejuhtme seisundit, et vältida raskeid kahjustusi. Pidage silmas kõiki selles juhendis toodud toiteploki kohta käivaid hoiatusi.

► ► 4.2. AKU (olemasolu korral):

(Joonis 5) Vooluvõrku ühendamata saab soojapuhur iseseisvalt töötada ka laetava Li-ion originaalaku abil. Laetav kaasasolev aku on ainult osaliselt laetud ja seetõttu on soovitatav enne aku kasutamist see täielikult täis laadida. Kasutage soojapuhuriga üksnes originaalakusid. Pidage silmas kõiki selles juhendis toodud aku kohta käivaid hoiatusi.

► ► 4.3. LAADIJA (olemasolu korral):

(Joonis 6) Laadija on mõeldud laetavate originaalakude laadimiseks. Tuleb silmas pidada laadija funktsioneerimisparameetreid (vaadake andmeid laadija sildilt). Kasutage toiteploki täielikult kuivades ja tolmuwabades kohtades ning üksnes selliste laetavate originaalakude laadimiseks, mis on ette nähtud selle soojapuhuri jaoks. Kontrollige korrapäraselt toitejuhtme seisundit, et vältida raskeid kahjustusi. Laadija alustab laadimistsükli automaatselt kohe, kui see akuga ühendatakse (Joonis 7). Tulukesed laadijal võimaldavad anda aku täitumisest põhjaliku ülevaate (Joonis 8). Pidage silmas kõiki selles juhendis toodud laadija kohta käivaid hoiatusi.

▶▶▶ 5. GAASIBALLOONI ÜHENDAMINE JA VAHETUS

Gaasiballooni tuleb vahetada väljaspool ruume, eemal soojusallikatest ja lahtisest tulest.

Gaasiballooni ühendamisel soojapuhuriga kasutada ainult järgmiseid tarvikuid:

- Vedelgaasi painduv voolik.
- Vedelgaasi reductor ehk rõhuregulaator koos kaitseklapiga.

VEENDUGE, ET GAASIVOOLIK OLEKS TERVE. JUHUL KUI SEE VAJAB VÄLJAVAHETAMIST, KASUTAGE AINULT PAINDUVAT VOOLIKUT, MIS SOBITUB KASUTATAVA RÕHUGA, NING PIDAGE KINNI KOHALIKEST VASTAVATEST MÄÄRUSTEST.

▶ Soojapuhuri gaasiballooniga ühendamine:
TÄHELEPANU: KÕIK LIITMIKUD ON VASAKPOOLSE KEERMEGA NING NENDE KINNIPÖÖRAMINE TOIMUB KELLAOSUTI LIIKUMISELE VASTUPIDISES SUUNAS.

▶ **5.1.** Ühendage gaasivoolik soojapuhuri ühenduskohaga (Joonis 9).

▶ **5.2.** Paigaldage reductor gaasiballooni külge. Veenduge, et reductoril oleks tihend (juhul kui liitmiku tüüp seda nõuab) (Joonis 10).

▶ **5.3.** Ühendage gaasivoolik reductori külge (Joonis 11).

▶ **5.4.** Avage gaasiballooni kraan (Joonis 12).

▶ **5.5.** Vajutage reductori lähtestamise nupp alla (Joonis 13). **Kontrollige liitmike gaasitihedust seebivee abil - seebimullide tekkimine näitab gaasileket (Joonis 14).** Suurema autonoomsuse tagamiseks võib soojapuhuriga ühendada mitu ballooni. Gaasi õige töörihk tagatakse standardkomplekti kuuluva reductori või samaväärse mudeli abil (vt tehniliste andmete tabel).

▶▶▶ 6. ELEKTRITOIDE

KASUTAGE ÜKSNES TOITEALLIKAIK, MIDA ON ALLPOOL KIRJELDATUD. ÜHELTEL ALLIKALT TEISELE ÜLEMINEKUKS LÜLITAGE SOOJAPUHUR VÄLJA (Pt "9 VÄLJALÜLITAMINE"). ÜHE TOITEALLIKA VAHETAMINE TEISE VASTU ON KEELATUD, KUI SOOJAPUHUR TÖÖTAB.

▶▶▶ 6.1. SOOJAPUHURI TOITMINE TOITEPLOKIGA (olemasolu korral):

ELEKTRIVÕRKU ÜHENDAMISEL TULEB JÄRGIDA KOHALIKKE KEHTIVAIK NORMATIIVE.

Enne kui soojapuhuri elektrivõrku ühendate, veenduge järgmises.

▶ **6.1.1.** Elektrivõrk on varustatud rikkevoolukaitsme ja sobiva maandusega.

▶ **6.1.2.** Toitepinge ja sagedus on sobivad (vt toiteploki sildi andmeid).

Ühendage toiteplokk soojapuhuriga (Joonis 15) ning seejärel toiteplokk elektrivõrku (Joonis 16).

▶▶▶ 6.2. SOOJAPUHURI TOITMINE LAETAVA AKUGA (olemasolu korral):

KASUTAGE AINULT LAETAVAIK ORIGINALAKUSID, MIS SOBITUVAD SOOJAPUHURI TEHNILISTE ANDMETE TABELIS MÄRGITUD PINGEGA.

Asetage laetav aku tühja akuhoidikusse, mis asub soojapuhuri alumise osa all (Joonis 17).

Laetav aku (komplekti kuuluv ja/või valikuline olenevalt mudelist) on algselt pooleldi laetud. Et tagada aku maksimaalne võimsus, laadige see enne esimest kasutuskorda originaallaadijaga täis (igal akul on oma laadija). Laetav aku on varustatud soojuskontrolliga "NTC", mis võimaldab laadida temperatuurivahemikus 0-40°C. Sel moel saavutatakse laetava aku võimalikult pikk kestus.

▶▶▶ 6.3. SOOJAPUHURI TOITMINE TOITEPLOKIGA, KUI AKU ON

PAIGALDATUD (olemasolu korral):

Ühendage toiteplokk soojapuhuriga (Joonis 15), seejärel ühendage toiteplokk elektrivõrku (Joonis 16) (vt andmeid soojapuhur sildilt). Soojapuhur välistab automaatselt, et kasutama hakataks laetavat akut. **TOITEPLOKIL EI OLE LAADIJA FUNKTSIOON**, seega ajal, mil soojapuhurit toidetakse elektrivõrgust, ei lähe soojapuhuriga ühendatud laetav aku tühjaks.

▶▶▶ 7. KÄIVITAMINE

▶▶ 7.1. SOOJENDUSREŽIIM:

▶ 7.1.1. Asetage lüliti "O/I" positsioonile "I" (Joonis 18).

▶ 7.1.2. Oodake paar sekundit.

▶ 7.1.3. Vajutage gaasinupp põhjani ja hoidke seda all (Joonis 19).

▶ 7.1.4. Hoides gaasinuppu all, vajutage mitu korda piosüüteseade põhjani alla (Joonis 20).

▶ 7.1.5. Pärast leegi süttimist hoidke gaasinuppu veel umbes 15 sekundit all (Joonis 21).

▶ 7.1.6. Laske gaasinupp lahti (Joonis 22).

Juhul kui elektrienergia katkeb või gaas saab otsa, lülitab soojapuhur end välja. Uuesti käivitamine ei toimu automaatselt, vaid seda tuleb teha käsitsi, korrates käivitamise protseduuri. Kui soojapuhur ei käivitu, lugege juhendi vastavat peatükki (Pt "12. RIKKED, NENDE PÕHJUSED JA ABINÕUD").

▶▶ 7.2. VENTILATSIOONIREŽIIM:

Soojapuhurit võib kasutada ka ventilaatorina. Ühendage soojapuhur pistikupessa ja/või paigaldage puhurisse laetav aku ning asetage lüliti "O/I" positsioonile "I" (Joonis 18).

NB: Soojendusrežiimil töötav soojapuhur tulebennerežiimivahetamistnõuetekohaselt välja lülitada, toimides vastavate juhiste järgi (Pt "9 VÄLJALÜLITAMINE").

▶▶▶ 8. SOOJUSVÕIMSUSE REGULEERIMINE

Soojusvõimsuse reguleerimine toimub soojapuhuri alumisel osal asuva nupu abil (Joonis 23).

▶▶▶ 9. VÄLJALÜLITAMINE

▶ 9.1. Sulgege gaasiballoon (Joonis 24).

▶ 9.2. Laske ventilaatoril töötada umbes 60 sekundit, et vältida soojapuhuri seepidisesest ühekuumenemisest tulenevaid kahjustusi (soojapuhuri sisemuse jahutamine).

▶ 9.3. Asetage lüliti "O/I" positsioonile "O" (Joonis 25).

▶ 9.4. Eraldage soojapuhur vooluvõrgust (Joonis 26) ja/või eemaldage laetav aku võrgust või soojapuhuri küljest (Joonis 27).

▶ 9.5. Eraldage soojapuhur gaasivoolikust (Joonised 28-29-30).

▶▶▶ 10. PUHASTAMINE JA HOOLDUS

Laske tehnilisel abil soojapuhuri töökorras olekut kontrollida vähemalt kord aastas või vastavalt vajadusele. Kui seadet on kasutatud, tuleb see enne hoiustamist ära puhastada.

▶ 10.1. Enne soojapuhuri mis tahes hooldus- või remonditöödega alustamist tuleb see välja lülitada (Pt "9. VÄLJALÜLITAMINE").

▶ 10.2. Puhastada tohib ainult soojapuhuri õhu sissetõmbeavasid (tagumisel küljel).

▶ 10.3. Kui soojapuhur uuesti kasutusele võetakse, kontrollige, kas gaasivoolik on terve. Kui teil on kahtlusi, küsige nõu tehniliselt abilt.

▶ 10.4. Ärge tehke toiminguid, mida ei ole lubatud ise teha.

▶▶▶ 11. AKU HOIUSTAMINE JA TRANSPORT

ÄRGE HOIUSTAGE EGA LADUSTAGE AKUT PIKKA AEGA MADALA TEMPERATUURIGA KOHTADES.

Laetavatele Li-ioonakudele kohaldatakse seaduse nõudeid, mis puudutavad ohtlikke kaupu. Laetavaid akusid võib nende kasutaja teedel transportida ilma erakorraliste ettevaatusabinõudeta. Kui akusid transpordivad kolmandad osalised (näiteks õhustranspordi ja/või kullerteenuse puhul), tuleb arvesse võtta vastavaid kehtivaid nõudeid. Saatke laetavaid akusid postiteenusega üksnes siis, kui nende karkass on kahjustusteta. Katke varjatud kontaktid kleeplindiga ja pakendage aku nii, et see oma korbis ei liiguks. Palume teil arvestada ka muid võimalikke kohalikke määrusi.

►►► 12. RIKKED, NENDE PÕHJUSED JA ABINÕUD

RIKE	PÕHJUS	ABINÕU
Mootor ei käivitu	Pinge ei ole piisav (kui toide tuleb võrgust)	1.Kontrollige võrguseadet 2.Pöörduge tehnilisse abisse
	Aku on tühi (kui toide tuleb akust)	1.Laadige aku täis 2.Pöörduge tehnilisse abisse
	Toitel või akul on rike	Pöörduge tehnilisse abisse
	Mootor on katki	Pöörduge tehnilisse abisse
Leek ei sütti	Gaasiballoon on tühi	Vahetage gaasiballoon välja (Pt 5)
	Redukti kaitsekapp on blokeerunud	1.Vajutage lähtestamiseks reduktori nuppu (Joonis 13) 2.Pöörduge tehnilisse abisse
	Gaasiballooni kraan on kinni	Avage gaasiballooni kraan (Joonis 12)
	Süüteahelal on rike	Pöörduge tehnilisse abisse
Leek ei jää põlema	Gaasinuppu ei vajutatud alla piisavalt pikaks ajaks	Hoidke gaasinuppu all kauem (Pt 7.1.5.)
	Soojapuhuril on rike	Pöörduge tehnilisse abisse
Leek kustub puhuri töötamise ajal	Ebapiisav gaasiga varustamine	1.Vahetage gaasiballoon välja (Pt 5) 2.Pöörduge tehnilisse abisse
	Soojapuhur on ülekuumenenud	1.Puhastage õhu sissevõtuava (tagumisel küljel) 2.Pöörduge tehnilisse abisse
	Soojapuhuril on rike	Pöörduge tehnilisse abisse

SUMAR PARAGRAFE

1...	DESCRIERE
2...	AVERTISMENTE
3...	TIPUL COMBUSTIBILULUI
4...	DESCRIERE ARTICOLE
5...	CONECTAREA ȘI ÎNLOCUIREA BUTELIEI DE GAZ
6...	ALIMENTARE ELECTRICĂ
7...	PORNIRE
8...	REGLAREA PUTERII TERMICE
9...	OPRIRE
10...	CURĂȚARE ȘI ÎNTREȚINERE
11...	PĂSTRAREA ȘI TRANSPORTUL BATERIEI
12...	DEFECTE DE FUNCȚIONARE, CAUZE ȘI SOLUȚII

IMPORTANT: CITIȚI CU ATENȚIE ACEST MANUAL ÎNAINTE DE A ANSAMBLA, DE A PUNE ÎN FUNCȚIUNE SAU DE A EFECTUA OPERAȚII DE ÎNTREȚINERE ÎN CEEA CE PRIVEȘTE ACEST APARAT. FOLOSIREA GREȘITĂ A APARATULUI POATE DUCE LA RĂNIRI GRAVE. PĂSTRAȚI ACEST MANUAL CA ȘI MATERIAL DE REFERINȚĂ.

▶▶▶ 1. DESCRIERE

Acesta este un aparat portabil pentru încălzirea aerului, care funcționează cu gaz lichid și are ca caracteristică folosirea în totalitatea a combustibilului datorită schimbului termic prin amestecarea directă a aerului aspirat și a produselor combustiei. Este dotat cu un mâner pentru a facilita transportul și manipularea. Acest aparat de încălzire poate fi alimentat prin intermediul alimentatorului specific sau de un sistem de baterie reîncărcabile. Aparatul este realizat conform prevederilor Normei EN 1596.

▶▶▶ 2. AVERTISMENTE

▶⚠️ **IMPORTANT:** Nu folosiți aparatul pentru încălzirea locuințelor; pentru informații privind utilizarea în spații publice consultați regulamentele naționale.

▶⚠️ **IMPORTANT:** Acest aparat nu este adecvat pentru a fi folosit de către persoane (inclusiv copii) cu capacități fizice, senzoriale sau mentale reduse sau de către persoane inexperte, cu excepția cazului în care sunt supravegheate de către o persoană responsabilă pentru siguranța lor.

Supravegheați copiii pentru a vă asigura că nu se joacă cu aparatul de încălzire. Țineți animalele la distanță de siguranță față de aparatul de încălzire.

▶⚠️ **IMPORTANT:** Folosirea neadecvată a acestui aparat poate provoca daune și poate pune în pericol viața persoanelor; poate provoca leziuni, arsuri, explozii, electrocutare sau otrăvire. Primele simptome ale intoxicației cu oxid de carbon sunt asemănătoare cu cele ale gripei: dureri de cap, amețeli și/sau greață. Aceste simptome pot fi provocate de funcționarea defectuoasă a aparatului. **DACĂ APAR ACESTE SIMPTOME IEȘIȚI IMEDIAT LA AER LIBER și apelați serviciul de asistență tehnică pentru reparația aparatului.**

▶⚠️ **IMPORTANT:** Toate operațiile de curățare, întreținere și reparație care presupun accesul la părți periculoase trebuie desfășurate de către producător, de serviciul de asistență tehnică a acestuia sau de către o persoană cu calificare asemănătoare, pentru a preveni riscurile, chiar dacă este prevăzută deconectarea de la rețeaua de alimentare.

► **2.1.** Respectați ordonanțele locale și normele în vigoare cu scopul de a utiliza aparatul de încălzire în mod corect și de a economisi combustibil.

► **2.2.** Pentru a funcționa în mod corect aparatul de încălzire are nevoie de schimb de aer adecvat. De aceea, acesta trebuie folosit în aer liber sau în încăperi în care este asigurat schimbul de aer continuu. Pentru a stabili cantitatea de aer necesară, volumul camerei trebuie calculat în funcție de puterea termică conform formulei 1m^3 la fiecare 100W de putere. În niciun caz, volumul camerei nu trebuie să fie mai mic de 100m^3 . O bună aerisire este garantată de o deschizătură calculată pe baza formulei: 25cm^2 pe kW de putere termică de cel puțin 250cm^2 , împărțit în mod egal între partea superioară și cea inferioară a camerei. În ceea ce privește instalarea, trebuie respectate normele naționale în vigoare, inclusiv normele tehnice și dispozițiile privind protecția împotriva accidentelor și de prevenire a incendiilor.

► **2.3.** Aparatul de încălzire trebuie utilizat doar pentru încălzirea aerului (modalitatea încălzire) sau pentru mișcarea aerului (modalitatea ventilare). Respectați cu strictețe aceste instrucțiuni.

► **2.4.** Producătorul nu își asumă responsabilitatea pentru daunele aduse bunurilor și/sau persoanelor, datorate utilizării neadecvate a aparatului de încălzire.

► **2.5.** Alimentați aparatul de încălzire numai cu combustibil de tipul indicat pe plăcuța cu date aplicată pe acesta.

► **2.6.** Conectați aparatul numai la rețele electrice prevăzute cu întrerupător diferențial și împământare adecvată.

► **2.7.** Utilizați numai prelungitoare cu secțiune adecvată și cu fir de împământare.

► **2.8.** Aparatul de încălzire trebuie așezat pe o suprafață nivelată, stabilă și ignifugă pentru a evita riscurile de incendiu.

► **2.9.** Este strict interzisă utilizarea aparatului de încălzire în subsoluri.

► **2.10.** Este interzisă utilizarea aparatului în ambiente în care sunt prezente substanțe explozive, gaz, combustibil, solvenți, vopsele.

► **2.11.** În cazul în care aparatul de încălzire este utilizat în apropierea prelatelor, perdelelor sau a altor materiale folosite pentru acoperire, este recomandată protecția ulterioară a acestora cu materiale de tip ignifug. Păstrați distanța de siguranță, care în niciun caz nu trebuie să fie mai mică de 2,5m, față de materialele inflamabile (textile, hârtie, lemn etc.) sau sensibile la căldură

(inclusiv cablul alimentatorului, dacă este prezent) și față de părțile calde ale aparatului de încălzire.

► **2.12.** Poziționați butelia de gaz într-un loc protejat, în spatele aparatului (Fig. 1). Aparatul de încălzire nu trebuie îndreptat spre butelia de gaz (Fig. 2).

► **2.13.** Este strict interzisă blocarea parțială sau totală a prizei de aer (partea posterioară) și/sau gura de ieșire a aerului (partea anterioară) (Fig. 3). Nu folosiți niciun fel de sistem pentru canalizarea aerului de la/spre aparatul de încălzire. Asigurați-vă să nu fie blocate orificiile pentru aspirația aerului aflate pe fundul bazei (în cazul modelelor care sunt prevăzute cu acest sistem).

► **2.14.** Dacă aparatul nu pornește sau pornește în mod neadecvat, consultați secțiunea corespunzătoare (Parag. "12. DEFECTE DE FUNCȚIONARE, CAUZE ȘI SOLUȚII").

► **2.15.** Când este în funcțiune, aparatul de încălzire nu trebuie mutat, manipulat sau supus operațiilor de întreținere.

► **2.16.** În toate condițiile de utilizare sau de staționare a aparatului de încălzire, asigurați-vă că tubul flexibil pentru gaz nu este supus riscului de a fi deteriorat (strivit, îndoit, răsucit, întins etc.).

► **2.17.** Dacă simțiți miros de gaz, opriți imediat aparatul, închideți robinetul buteliei de gaz, scoateți ștecherul alimentatorului din priză și/sau înlăturați bateria reîncărcabilă, apoi contactați serviciul de asistență tehnică.

► **2.18.** Dacă tubul de gaz trebuie înlocuit, folosiți numai tuburi de tip flexibil potrivite presiunii la care vor fi supuse și respectând regulamentele naționale. Tubul de gaz trebuie să aibă o lungime de 1,5m.

► **2.19.** Atunci când nu folosiți aparatul de încălzire, scoateți ștecherul alimentatorului din priză și/sau înlăturați bateria reîncărcabilă, închideți robinetul de alimentare cu gaz, deconectați tubul de gaz și acoperiți gura de intrare a gazului în aparat.

► **2.20.** Solicitați verificarea funcționării corecte a aparatului de încălzire de către serviciul de asistență tehnică cel puțin o dată pe an și/sau în funcție de necesități.

► **2.21.** Înainte de a conecta ștecherul alimentatorului și/sau de a introduce bateria reîncărcabilă, asigurați-vă ca aparatul să fie oprit în scopul evitării riscurilor.

► **2.22.** Utilizați exclusiv baterii reîncărcabile originale special prevăzute. Utilizarea bateriilor reîncărcabile necorespunzătoare poate provoca daune și poate pune în pericol viața persoanelor; poate provoca leziuni, arsuri, explozii, electrocutare sau otrăvire.

► **2.23.** Păstrați o distanță de siguranță corespunzătoare între bateria reîncărcabilă deconectată și cleme, monede, chei, cuie, șuruburi și alte obiecte mici din metal care pot provoca un scurtcircuit. Un eventual scurtcircuit între contactele bateriei reîncărcabile poate provoca daune sau poate pune în pericol viața persoanelor; de asemenea, poate provoca leziuni, arsuri, explozii etc..

► **2.24.** Utilizarea necorespunzătoare a bateriei reîncărcabile poate provoca ieșirea lichidului din baterie. Evitați contactul. În caz de contact accidental, clătiți bine cu apă. În cazul în care lichidul intră în contact cu ochii, adresați-vă imediat medicului. Lichidul ieșit din bateria reîncărcabilă poate cauza arsuri sau iritații ale pielii.

► **2.25.** Utilizarea incorectă a bateriei reîncărcabile poate provoca ieșirea vaporilor din baterie. Evitați inhalarea acestor vapori. Aerișiți, iar în caz de inhalare accidentală adresați-vă medicului. Vaporii pot irita căile respiratorii.

► **2.26.** În scopul evitării riscurilor grave, nu încercați să deschideți/demontați bateria reîncărcabilă.

► **2.27.** În scopul evitării riscurilor grave, protejați bateria reîncărcabilă împotriva căldurii (de exemplu împotriva radiației solare continue, a focului, apei, umidității etc.).

► **2.28.** Utilizați bateria reîncărcabilă specifică numai cu acest aparat de încălzire în scopul evitării suprasarcinilor periculoase.

► **2.29.** Utilizați exclusiv baterii reîncărcabile originale cu tensiunea indicată pe plăcuța cu date tehnice a aparatului de încălzire. În cazul utilizării altor baterii reîncărcabile (de exemplu baterii imitate, baterii regenerate, baterii ale concurenților etc.) există pericolul de leziuni și/sau explozii.

► **2.30.** Încărcați bateria reîncărcabilă numai cu încărcătoare originale. Fiecare baterie are nevoie de un încărcător specific în scopul evitării riscurilor de incendiu și de explozie.

► **2.31.** Urmați modalitățile de alimentare electrică indicate în acest manual. Pentru a trece de la o modalitate la alta, efectuați operațiile de oprire (Parag. "9. OPRIRE"). Este interzisă schimbarea modalității de alimentare cu aparatul de încălzire în funcțiune, în scopul evitării daunelor grave.

►►► 3. TIPUL COMBUSTIBILULUI

Utilizați doar gaz din categoria I₃B/P.

►►► 4. DESCRIERE ARTICOLE

►►► 4.1. ALIMENTATORUL (dacă este prezent):

ALIMENTATORUL NU POATE FI FOLOSIT CA ÎNCĂRCĂTOR.

(Fig. 4) Aparatul de încălzire poate funcționa conectat la rețeaua electrică prin intermediul unui dispozitiv numit alimentator. Alimentatorul este proiectat pentru a primi în intrare curent alternativ monofazat furnizat de rețea și pentru a-l transforma în ieșire în curent continuu adecvat funcționării aparatului. Respectați parametrii de funcționare a alimentatorului (vezi plăcuța cu date aplicată pe alimentator). Utilizați alimentatorul în locuri uscate și protejate împotriva prafului, pentru a alimenta în mod exclusiv acest aparat de încălzire. Verificați periodic starea cablului alimentatorului, în scopul evitării daunelor grave. Respectați avertizările privind alimentatorul indicate în manualul de față.

►►► 4.2. BATERIA (dacă este prezentă):

(Fig. 5) Aparatul de încălzire poate funcționa în mod autonom cu o baterie Li-ion reîncărcabilă originală, fără a fi conectat la rețeaua electrică. Bateria reîncărcabilă este furnizată parțial încărcată; înainte de a utiliza bateria se recomandă efectuarea unui ciclu complet de încărcare. Pentru a alimenta aparatul de încălzire utilizați doar baterii originale. Respectați avertizările privind bateria indicate în manualul de față.

►►► 4.3. ÎNCĂRCĂTORUL (dacă este prezent):

(Fig. 6) Încărcătorul este proiectat pentru a încărca bateriile reîncărcabile originale. Respectați parametrii de funcționare a încărcătorului (vezi plăcuța cu date aplicată pe încărcător). Utilizați încărcătorul în locuri uscate și protejate împotriva prafului, pentru a încărca în mod exclusiv baterii reîncărcabile originale care pot fi utilizate pentru alimentarea acestui aparat de încălzire. Încărcătorul este prevăzut pentru a gestiona în mod automat ciclul corect de încărcare atunci când bateria reîncărcabilă este conectată (Fig. 7). O serie de indicatoare luminoase situate pe încărcător permit obținerea unui diagnostic detaliat în timpul fazei de încărcare a bateriei (Fig. 8). Respectați avertizările privind încărcătorul indicate în manualul de față.

▶▶▶ 5. CONECTAREA ȘI ÎNLOCUIREA BUTELIEI DE GAZ

Butelia de gaz trebuie înlocuită în aer liber, departe de sursele de căldură, în locuri în care nu există riscul de producere al flăcărilor.

Pentru a conecta butelia de gaz la aparat, trebuie utilizate următoarele accesorii:

- Tub flexibil pentru gaz lichefiat.
- Regulator de presiune pentru gaz lichefiat dotat cu valvă de siguranță.

VERIFICAȚI INTEGRITATEA TUBULUI DE GAZ DE ALIMENTARE. ÎN CAZUL ÎN CARE ACESTA TREBUIE ÎNLOCUIT, UTILIZAȚI DOAR TUBURI DE TIP FLEXIBIL, CONFORME PRESIUNII DE UTILIZARE, RESPECTÂND NORMELE NAȚIONALE ÎN VIGOARE.

▶Pentru a conecta aparatul de încălzire la butelia de gaz:

ATENȚIE: TOATE FILETURILE SUNT INVERSE, ADICĂ TREBUIE STRÂNSE ÎN SENS ANTIORAR.

▶**5.1.**Strângeți tubul de gaz pe racordul aparatului de încălzire (Fig. 9).

▶**5.2.**Instalați regulatorul de presiune pe butelia de gaz. Asigurați-vă ca regulatorul să fie prevăzut cu garnitură (dacă este prevăzută pentru tipul respectiv de racord) (Fig. 10).

▶**5.3.**Conectați tubul de gaz la regulatorul de presiune (Fig. 11).

▶**5.4.**Deschideți robinetul buteliei de gaz (Fig. 12).

▶**5.5.**Apăsăți butonul de deblocare a regulatorului (Fig. 13). **Verificați etanșeitatea racordurilor folosind apă cu săpun: apariția bulelor de aer indică existența unor pierderi de gaz (Fig. 14).** Este posibilă racordarea mai multor butelii de gaz pentru a obține o autonomie mai mare. Presiunea corespunzătoare de funcționare (vezi plăcuța cu date aplicată pe aparatul de încălzire) este obținută cu ajutorul regulatorului din dotare sau a unui model echivalent.

▶▶▶ 6. ALIMENTARE ELECTRICĂ UTILIZAȚI DOAR MODALITĂȚILE DE ALIMENTARE DESCRISE ÎN CONTINUARE. PENTRU A TRECE DE LA O MODALITATE LA ALTA, EFECTUAȚI OPERAȚIILE DE OPRIRE (Parag. "9. OPRIRE"). ESTE INTERZISĂ SCHIMBAREA MODALITĂȚII DE ALIMENTARE CU APARATULUI DE ÎNCĂLZIRE ÎN FUNCȚIUNE.

▶▶ 6.1. APARAT DE ÎNCĂLZIRE ALIMENTAT DE ALIMENTATOR (dacă este prezent):

CONECTAREA LA REȚEAUA ELECTRICĂ TREBUIE EFECTUATĂ CONFORM PREVEDERILOR NORMELOR NAȚIONALE ÎN VIGOARE.

Înainte de a conecta aparatul de încălzire la rețeaua electrică, asigurați-vă ca:

▶**6.1.1.**Rețeaua electrică să fie dotată cu un întrerupător diferențial și cu o împământare adecvată.

▶**6.1.2.**Tensiunea și frecvența de alimentare să fie corecte (vezi plăcuța cu date aplicată pe alimentator).

Conectați alimentatorul la aparatul de încălzire (Fig. 15), apoi conectați-l la rețeaua electrică (Fig. 16).

▶▶ 6.2. APARAT DE ÎNCĂLZIRE ALIMENTAT DE LA BATERIA REÎNCĂRCABILĂ (dacă este prezentă):

UTILIZAȚI EXCLUSIV BATERIILE REÎNCĂRCABILE ORIGINALE CU TENSIUNEA INDICATĂ PE PLĂCUȚA CU DATE TEHNICE A APARATULUI DE ÎNCĂLZIRE.

Introduceți bateria reîncărcabilă în compartimentul port-baterie poziționat sub baza aparatului de încălzire (Fig. 17).

Bateria reîncărcabilă (inclusă în ambalaj și/sau opțională, în funcție de model) este livrată parțial încărcată. Pentru a garanta puterea totală a bateriei reîncărcabile, înainte de prima utilizare, reîncărcați complet bateria reîncărcabilă în încărcătorul original (fiecare baterie are nevoie de încărcătorul său specific). Bateria reîncărcabilă este dotată cu un dispozitiv de control a temperaturii "NTC" care permite încărcarea la temperatura cuprinsă între 0°C și 40°C. În acest mod este obținută o durată îndelungată a bateriei reîncărcabile.

▶▶ 6.3. APARAT DE ÎNCĂLZIRE ALIMENTAT DE ALIMENTATOR CU BATERIA INTRODUSĂ (dacă este prezent):

Conectați alimentatorul la aparatul de încălzire (Fig. 15), apoi conectați-l la rețeaua electrică (Fig. 16) (vezi plăcuța cu date aplicată pe aparatul de încălzire). Aparatul de încălzire exclude în mod automat bateria reîncărcabilă. ALIMENTATORUL NU POATE FI FOLOSIT CA ÎNCĂRCĂTOR, prin urmare, când aparatul de încălzire este alimentat de la rețeaua electrică, bateria reîncărcabilă conectată nu este încărcată.

▶▶▶ 7. PORNIRE

▶▶ 7.1. MODALITATEA ÎNCĂLZIRE:

▶ 7.1.1. Aduceți întrerupătorul "O/I" în poziția "I" (Fig. 18).

▶ 7.1.2. Așteptați câteva secunde.

▶ 7.1.3. Apăsăți butonul de gaz până la capăt și țineți apăsat (Fig. 19).

▶ 7.1.4. Apăsăți până la capăt în mod repetat aprinzătorul piezoelectric (Fig. 20), ținând apăsat butonul de gaz (Fig. 19).

▶ 7.1.5. După aprinderea flăcării, țineți apăsat butonul de gaz timp de aproximativ 15 sec. (Fig. 21).

▶ 7.1.6. Eliberați butonul de gaz (Fig. 22).

În cazul întreruperii energiei electrice sau în cazul lipsei alimentării cu gaz, aparatul de încălzire se oprește în mod automat. Pornirea aparatului nu este automată, ci trebuie efectuată manual, repetând procedura de pornire. Dacă aparatul de încălzire nu pornește, consultați secțiunea corespunzătoare (Parag. "12. DEFECTE DE FUNCȚIONARE, CAUZE ȘI SOLUȚII").

▶▶ 7.2. MODALITATEA VENTILARE:

Aparatul de încălzire poate fi utilizat, de asemenea, ca și ventilator. Conectați aparatul la rețeaua electrică și/sau introduceți bateria reîncărcabilă, apoi aduceți întrerupătorul "O/I" în poziția "I" (Fig. 18).

N.B.: Când aparatul de încălzire este în funcțiune în modalitatea încălzire, înainte de a trece la modalitatea ventilare, efectuați operațiile de oprire (Parag. "9. OPRIRE").

ro ▶▶▶ 8. REGLAREA PUTERII TERMICE

Puterea termică poate fi reglată acționând asupra butonului rotativ situat pe baza aparatului de încălzire (Fig. 23).

▶▶▶ 9. OPRIRE

▶ 9.1. Închideți robinetul buteliei de gaz (Fig. 24).

▶ 9.2. Lăsați ventilatorul în funcțiune timp de aproximativ 60 sec., pentru a evita daunele interne cauzate de supraîncălzire (răcirea internă a aparatului de încălzire).

▶ 9.3. Aduceți întrerupătorul "O/I" în poziția "O" (Fig. 25).

▶ 9.4. Deconectați aparatul de la rețeaua electrică (Fig. 26) și/sau înlăturați bateria reîncărcabilă sau deconectați bateria (Fig. 27).

▶ 9.5. Deconectați aparatul de încălzire de la tubul de alimentare cu gaz (Fig. 28-29-30).

▶▶▶ 10. CURĂȚARE ȘI ÎNTREȚINERE

Solicitați verificarea funcționării corecte a aparatului de încălzire de către serviciul de asistență tehnică cel puțin o dată pe an și/sau în funcție de necesități. După utilizare, înainte de depozitare, aparatul trebuie curățat.

▶ 10.1. Înainte de a începe o intervenție de întreținere, îngrijire sau reparație a aparatului de încălzire, efectuați operațiile oprire (Parag. "9. OPRIRE").

▶ 10.2. Operațiile de curățare implică numai priza de aer (partea posterioară) a aparatului de încălzire.

▶ 10.3. Când aparatul de încălzire este pus din nou în funcțiune, controlați integritatea tubului de gaz; dacă aveți îndoieli privind integritatea, apelați serviciul de asistență tehnică.

▶ 10.4. Nu efectuați intervenții neautorizate.

▶▶▶ 11. PĂSTRAREA ȘI TRANSPORTUL BATERIEI

NU DEPOZITAȚI BATERIA ÎN AMBIENTE CU TEMPERATURI REDUSE PENTRU O PERIOADĂ ÎNDELUNGATĂ DE TIMP.

Bateriile Li-ion reîncărcabile sunt supuse cerințelor legislative privind mărfurile periculoase. Bateriile reîncărcabile pot fi transportate pe stradă de către utilizator fără precauții suplimentare. În cazul expedierii prin intermediul părților terțe (de exemplu, transportul aerian și/sau expeditor), trebuie respectate cerințe speciale în conformitate cu normele în vigoare. Expediați bateriile reîncărcabile doar dacă carcasa nu este deteriorată. Acoperiți cu bandă adezivă contactele descoperite și ambalați bateria reîncărcabilă, astfel încât aceasta să rămână imobilă în ambalaj. Vă rugăm să consultați, de asemenea, normele naționale ulterioare.

►►► 12. DEFECTE DE FUNCȚIONARE, CAUZE ȘI SOLUȚII

ANOMALII DE FUNCȚIONARE	CAUZE	SOLUȚII
Motorul nu pornește	Lipsa tensiunii (dacă este alimentat de la rețea)	1.Verificați instalația de rețea 2.Serviciul de asistență tehnică
	Baterie descărcată (dacă este alimentat de la baterie)	1.Încărcați bateria 2.Serviciul de asistență tehnică
	Alimentare sau baterie defectă	Serviciul de asistență tehnică
	Motor defect	Serviciul de asistență tehnică
Flacăra nu se aprinde	Butelia de gaz este goală	Înlocuiți butelia de gaz (Parag. 5)
	Valva de siguranță a regulatorului este blocată	1.Apăsați butonul de deblocare a gazului aflat pe regulator (Fig. 13) 2.Serviciul de asistență tehnică
	Robinetul buteliei de gaz este închis	Deschideți robinetul buteliei de gaz (Fig. 12)
	Circuitul de aprindere este defect	Serviciul de asistență tehnică
Flacăra nu rămâne aprinsă	Butonul de gaz este ținut apăsat pentru un timp insuficient	Apăsați butonul de gaz pentru un timp mai îndelungat (Parag. 7.1.5.)
	Aparat de încălzire defect	Serviciul de asistență tehnică
Flacăra se stinge în timpul funcționării	Alimentarea cu gaz este insuficientă	1.Înlocuiți butelia de gaz (Parag. 5) 2.Serviciul de asistență tehnică
	Supraîncălzirea aparatului de încălzire	1.Curățați priza de aer (partea posterioară) 2.Serviciul de asistență tehnică
	Aparat de încălzire defect	Serviciul de asistență tehnică

SÚHRN Odstavcov


1...	POPIS
2...	UPOZORNENIE
3...	TYP PALIVA
4...	POPIS VÝROBKOV
5...	PRIPOJENIE A VÝMENA PLYNOVEJ FLAŠE
6...	ELEKTRICKÉ NAPÁJANIE
7...	ZAPAĽOVANIE
8...	NASTAVENIE TEPELNÉHO VÝKONU
9...	VYPNUTIE
10...	ČISTENIE A ÚDRŽBA
11...	UCHOVÁVANIE A PREPRAVA BATÉRIE
12...	ANOMÁLIE PREVÁDZKY, PRÍČINY A NÁPRAVY


DÔLEŽITÉ: PREČÍTAJTE SI A SPRÁVNE POCHOPTTE TÚTO OPERATÍVNU PRÍRUČKU PRED MONTÁŽOU, UVEDENÍM DO PREVÁDZKY ALEBO ÚDRŽBOU TOHTO GENERÁTORA. NESPRÁVNE POUŽITIE MÔŽE ZAPRÍČINIŤ VÁŽNE PORANENIA. USCHOVÁVAJTE TÚTO PRÍRUČKU PRE BUDÚCE KONZULTÁCIE.

►►► 1. POPIS


Toto je prenosný ohrievač vzduchu pracujúci na kvapalnú plyn, vyznačuje sa celkovým využitím paliva, a to prostredníctvom výmeny tepla priamym miešaním nasávaného vzduchu a spalín. Je vybavený praktickou rukoväťou pre jednoduchú prepravu a manipuláciu. Tento ohrievač môže byť napájaný cez špecifický napájací adaptér alebo dobíjací batériový systém. Je realizovaný v súlade s normou EN 1596.


►►► 2. UPOZORNENIE

►  **DOLEŽITÉ:** Nepoužívajte pre vykurovanie obytných priestorov bytových domov; pre použitie vo verejných budovách dodržujte príslušné národné predpisy.

►  **DOLEŽITÉ:** Tento ohrievač nie je určený pre používanie osobami (vrátane detí) so zníženými fyzickými, zmyslovými alebo duševnými schopnosťami, alebo neskúsenými osobami, pokiaľ nie sú pod dohľadom osoby zodpovednej za ich bezpečnosť. Deti musia byť pod dozorom, aby sa zaistilo, že sa nebudú s prístrojom

hrať. Udržujte domáce zvieratá v bezpečnej vzdialenosti od ohrievača.

►  **DOLEŽITÉ:** Nesprávne použitie tohto ohrievača môže zapríčiniť škody alebo ohrozeniu života osôb, zranenia, popáleniny, výbuchy, elektrické šoky alebo otravy. Prvé príznaky dusenia kyslíčnikom uhoľnatým sa podobajú chrípke, s bolesťami hlavy, závratmi a/alebo nevoľnosťou. Tieto príznaky môžu byť spôsobené nesprávnym fungovaním ohrievača. V PRÍPADE VÝSKYTU TÝCHTO PRÍZNAKOV OKAMŽITE VYJDITE VON Z MIESTNOSTI a nechajte opraviť ohrievač v technickom servisnom stredisku.

►  **DOLEŽITÉ:** Všetky úkony čistenia, údržby a opravy, ktoré predpokladajú prístup k nebezpečným častiam, musí vykonávať výrobca, jeho technická servisná služba, osoba s podobnou kvalifikáciou, aby sa zabránilo akémukoľvek riziku; a to aj v prípade, že zariadenie bude odpojené od napájacej siete.

► 2.1. Pre správne používanie ohrievača a pre zachovanie paliva postupujte v súlade

so všetkými miestnymi predpismi a platnými nariadeniami.

► **2.2.** Ohrievač vyžaduje pre prevádzku zodpovedajúcu výmenu vzduchu. Preto musí byť používaný na otvorenom priestranstve alebo v miestnostiach s trvalou a zaistenou výmenou vzduchu. Dobré vetranie je zaistené, ak je objem miestnosti kalkulovaný úmerne k tepelnému výkonu podľa vzorca 1m^3 na každých 100W výkonu. V žiadnom prípade odporúčaný objem miestnosti nesmie byť menší než 100m^3 . Dobrá ventilácia je zaistená otvorom, ktorý zodpovedá vzorcovi 25cm^2 na kW tepelného výkonu, s najmenej 250cm^2 , rovnomerne rozdeleným medzi hornou a dolnej časti miestnosti. Pre inštaláciu platia existujúce vnútroštátne právne predpisy, vrátane technických noriem a ustanovení týkajúcich sa bezpečnosti a požiarnej ochrany.

► **2.3.** Ohrievač musí byť používaný iba pre ohrievanie vzduchu (režim vykurovanie) alebo pre pohyb vzduchu (režim ventilácia). Pri použití starostlivo dodržujte tieto pokyny.

► **2.4.** Výrobca odmieta akúkoľvek zodpovednosť za škody/alebo zranenia spôsobené nesprávnym používaním ohrievača.

► **2.5.** Napájajte ohrievač len s typom paliva výslovne uvedeným na typovom štítku pripevnenom na ohrievači.

► **2.6.** Uistite sa o správnom pripojení ohrievača k elektrickej sieti, vybavenej diferenčným prerušovačom a riadne uzemnenej.

► **2.7.** Používajte iba predlžovacie šnúry s vhodným prierezom a s uzemňovacím vodičom.

► **2.8.** Ohrievač musí pracovať na rovnom, stabilnom a nehorľavom povrchu, aby sa zabránilo nebezpečenstvu vzniku požiaru.

► **2.9.** Je prísne zakázané používať ohrievač v suterénoch alebo pod úrovňou terénu.

► **2.10.** Ohrievač sa nesmie používať v miestnostiach, kde je prítomný výbušný prach, dym, plyny, pohonné hmoty, rozpúšťadlá, farby.

► **2.11.** Ak je ohrievač používaný v blízkosti plachiet, stanov a podobných krycích materiálov, odporúča sa použiť ďalšie ohňovzdorné ochrany. Dbajte na udržiavanie vhodnej vzdialenosti, ktorá v žiadnom prípade nesmie byť menšia ako 2,5m od horľavých materiálov (látky, papier, drevo, atď.) alebo tepelne labilných materiálov (vrátane kábla adaptéra, ak je k dispozícii) od horúcich častí ohrievača.

► **2.12.** Umiestnite plynovú fľašu do chránenej polohy za prístrojom (Obr. 1). Ohrievač nesmie byť nikdy orientovaný na plynovú fľašu (Obr. 2).

► **2.13.** Nikdy neblokujte, hoci aj čiastočne, nasávací otvor vzduchu (zadná časť) a/alebo odvodový otvor vzduchu (predná časť) (Obr. 3). Vyvarujte sa použitia akýchkoľvek vzduchových potrubí z/do ohrievača. Uistite sa, že vetracie otvory pre prívod vzduchu na spodnej strane základne nie sú upchaté (u modelov, ktoré sú vybavené týmto riešením).

► **2.14.** V prípade poruchy zapalovania, alebo abnormálneho zapalovania ohrievača konzultujte príslušnej časti (Odst. "12. ANOMÁLIE PREVÁDZKY, PRÍČINY A NÁPRAVY").

► **2.15.** Keď je ohrievač v prevádzke, nesmie byť premiestňovaný, manipulovaný, ani predmetom žiadneho údržbárskeho zásahu.

► **2.16.** V akomkoľvek režime použitia alebo stave ohrievača dávajte pozor, aby nedošlo k poškodeniu flexibilnej plynovej hadice (rozdrvenie, ohnutie, skrútenie, natiahnutie, atď.).

► **2.17.** Ak ucítite zápach plynu, okamžite ohrievač vypnite, uzavrite fľašu s plynom, odpojte napájací adaptér zo siete a/alebo vyberte nabíjateľnú batériu a obráťte sa na technickú servisnú službu.

► **2.18.** V prípade výmeny plynovej hadice použite len typ pružnej hadice vhodnej pre prevádzkový tlak, s odkazom na vnútroštátne predpisy. Plynová hadica musí byť dlhá 1,5m.

► **2.19.** Ak ohrievač nepoužívate, odpojte napájací adaptér zo siete a/alebo vyberte nabíjateľnú batériu, vypnite prívod plynu, odpojte plynovú hadicu od ohrievača a zazátkujte otvor na prívod plynu na ohrievači.

► **2.20.** Najmenej raz za rok a/alebo podľa potreby nechajte vykonať technickú kontrolu riadneho fungovania ohrievača.

► **2.21.** Uistite sa, že ohrievač je vypnutý pred pripojením elektrickej zástrčky napájacieho adaptéra a/alebo vložení nabíjateľnej batérie, aby sa zabránilo každému nebezpečenstvu.

► **2.22.** Používajte iba a výhradne originálne nabíjateľné batérie. Použitie nesprávnych nabíjateľných batérií môže zapríčiniť škody alebo ohrozenie života osôb, zranenia, popáleniny, výbuchy, elektrické šoky alebo otravy.

► **2.23.** Zachovávajúte adekvátnu bezpečnú vzdialenosť medzi odpojenou nabíjateľnou batériou a kancelárskymi klipmi, mincami, kľúčmi, klincami, skrutkami alebo ďalšími drobnými kovovými predmetmi, ktoré by mohli spôsobiť skrat. Skrat medzi kontaktmi nabíjateľnej batérie môže zapríčiniť škody alebo ohrozenie života osôb, zranenia, popáleniny, výbuchy, atď.

► **2.24.** Nesprávne použitie nabíjateľnej batérie môže spôsobiť únik kvapaliny z batérie. Vyhnite sa kontaktu. V prípade náhodného kontaktu dôkladne opláchnite vodou. Okamžite vyhľadajte lekársku pomoc, ak sa kvapalina dostane do kontaktu s očami. Unikajúca kvapalina z nabíjateľnej batérie môže spôsobiť podráždenie pokožky alebo popáleniny.

► **2.25.** Nesprávne použitie nabíjateľnej batérie môže spôsobiť únik výparov z batérie. Vyhnite sa vdychovaniu týchto výparov. Zaisťte prívod čerstvého vzduchu v prípade náhodného vdýchnutia a navštívte lekára pri ťažkostiach. Výpary môžu dráždiť dýchacie cesty.

► **2.26.** Aby sa predišlo vážnym rizikám nesnažte sa nabíjateľnú batériu otvárať/rozoberať.

► **2.27.** Aby sa predišlo vážnym rizikám chráňte nabíjateľnú batériu pred teplom (napríklad dlhodobé slnečné žiarenie, oheň, voda, vlhkosť, atď.).

► **2.28.** Používajte špecifickú nabíjateľnú batériu len s týmto ohrievačom, aby sa zabránilo nebezpečným preťaženiam.

► **2.29.** Používajte iba originálne nabíjateľné batérie s napätím uvedeným na typovom štítku ohrievača. V prípade použitia iných nabíjateľných batérií (napríklad imitácia batérií, regenerované batérie, batérie iných výrobcov, atď.) existuje nebezpečenstvo úrazu a/alebo výbuchu.

► **2.30.** Dobíjajte nabíjateľnú batériu iba a výhradne s originálnymi nabíjačkami batérií. Každá batéria potrebuje špecifickú nabíjačku batérie, aby sa zabránilo nebezpečenstvu vzniku požiaru a výbuchu.

► **2.31.** Používajte iba napájacie postupy uvedené v tejto príručke. Pre prechod z jedného prevádzkového režimu do druhého vykonajte postup vypnutia (Odst. "9. VYPNUTIE"). Je zakázané meniť režim napájania s ohrievačom v prevádzke, aby sa zabránilo vážnym škodám.

►►► 3. TYP PALIVA

Používajte iba plyn kategórie I₃B/P.

►►► 4. POPIS VÝROBKOV

►► 4.1. NAPÁJACÍ ADAPTÉR (ak existuje): NAPÁJACÍ ADAPTÉR NEPLNÍ FUNKCIU NABÍJAČKY BATÉRIE.

(Obr. 4) Ohrievač môže pracovať pripojený k elektrickej sieti pomocou zariadenia zvaného napájací adaptér. Napájací zdroj je určený pre príjem jednofázového striedavého prúdu, dodávaného zo siete na vstup do prístroja a jeho premeny na jednosmerný prúd na výstupe, vhodný pre prevádzku ohrievača. Je nutné rešpektovať prevádzkové parametre napájacieho adaptéra (pozri typový štítok na adaptéri). Používajte napájací zdroj na úplne suchých miestach, chránených pred prachom pre výhradné napájanie tohto ohrievača. Pravidelne kontrolujte stav napájacieho kábla, aby nedošlo k vážnemu poškodeniu. Dbajte na všetky upozornenia vzťahujúce sa k napájaciemu adaptéru, ako je popísané v tomto návode.

►► 4.2. BATÉRIA (ak existuje):

(Obr. 5) Ohrievač môže pracovať autonómne s originálnou nabíjateľnou Li-iónovou batériou bez toho, aby musel byť pripojený k sieti. Nabíjateľná batéria je dodávaná čiastočne nabitá a z tohto dôvodu sa odporúča vykonať úplný cyklus nabitia pred jej použitím. Používajte iba originálne nabíjateľné batérie pre napájanie tohto ohrievača. Dbajte na všetky upozornenia vzťahujúce sa k batérii, ako je popísané v tomto návode.

►► 4.3. NABÍJAČKA BATÉRIE (ak existuje):

(Obr. 6) Nabíjačka batérie je určená pre dobíjanie originálnych nabíjateľných batérií. Je nutné rešpektovať prevádzkové parametre nabíjačky batérie (viď typový štítok na nabíjačke). Používajte nabíjačku batérie na úplne suchých miestach, chránených pred prachom pre dobíjanie iba originálnych nabíjateľných batérií, používaných na napájanie tohto ohrievača. Nabíjačka batérie je určená k automatickému riadeniu správneho dobíjacieho cyklu, keď je pripojená nabíjateľná batéria (Obr. 7). Rad svetelných kontroliek umiestnených na

nabíjačke umožňuje mať podrobnú diagnostiku počas fázy dobíjania batérie (Obr. 8). Dbajte na všetky upozornenia v tomto návode, vzťahujúce sa na dodanú nabíjačku batérie.

▶▶▶ 5. PRIPOJENIE A VÝMENA PLYNOVEJ FLAŠE

Plynová fľaša sa musí vymieňať na otvorenom priestranstve, ďaleko od zdrojov tepla, v atmosfére bez prítomnosti plameňov.

Pre pripojenie plynovej fľaše k ohrievaču musí byť použité iba nasledujúce príslušenstvo:

- Flexibilná hadica pre kvapalný plyn.
- Tlakový regulátor pre kvapalný plyn, vybavený poistným ventilom.

SKONTROLUJTE INTEGRITU PRÍVODNEJ PLYNOVEJ HADICE. V PRÍPADE, ŽE TÁTO MUSÍ BYŤ VYMENENÁ, POUŽÍVAJTE IBA HADICE FLEXIBILNÉHO TYPU, KTORÉ ZODPOVEDAJÚ PREVÁDZKOVÉMU TLAKU; REŠPEKTUJTE NÁRODNÉ PREDPISY.

▶ Pre pripojenie ohrievača k plynovej fľaši:

UPOZORNENIE: VŠETKY ZÁVITY SÚ ĽAVOSMERNÉ, TO ZNAMENÁ, ŽE SA UŤHAJÚ V PROTISMERE HODINOVÝCH RUČÍČIEK.

▶ **5.1.** Naskrutkujte plynovú hadicu na ohrievač (Obr. 9).

▶ **5.2.** Inštalujte tlakový regulátor na plynovú fľašu. Uistite sa, že regulátor je vybavený tesnením (ak to prípojka vyžaduje) (Obr. 10).

▶ **5.3.** Pripojte plynovú hadicu k tlakovému regulátoru (Obr. 11).

▶ **5.4.** Otvorte kohútik plynovej fľaše (Obr. 12).

▶ **5.5.** Stlačte uvoľňovacie tlačidlo regulátora (Obr. 13). **Skontrolujte tesnosť pripojenia mydlovou vodou: výskyt bublín znamená prípadné úniky plynu (Obr. 14).** Je tiež možné prepojiť navzájom medzi sebou niekoľko plynových fliaš pre zabezpečenie dlhšej autonómie. Správny prevádzkový tlak (pozri typový štítok na ohrievači) závisí od dodaného regulátora, alebo od ekvivalentného modelu.

▶▶▶ **6. ELEKTRICKÉ NAPÁJANIE**
POUŽÍVAJTE IBA TU POPÍSANÉ SPOSOBY NAPÁJANIA. PRE PRECHOD OD JEDNÉHO REŽIMU K DRUHÉMU VYKONAJTE POSTUP VYPNUTIA (Odst. "9. VYPNUTIE"). JE

ZAKÁZANÉ MENIŤ PREVÁDZKOVÝ REŽIM S OHRIEVAČOM V PREVÁDZKE.

▶▶ 6.1. OHRIEVAČ NAPÁJANÝ

ADAPTÉROM (ak existuje):

ZAPOJENIE K ELEKTRICKEJ SIETI SA MUSÍ VYKONAŤ V SÚLADE S PLATNÝMI NÁRODNÝMI PREDPISMI.

Pred pripojením ohrievača k elektrickej sieti sa uistite, že:

▶ **6.1.1.** Elektrická sieť je vybavená diferenčným prerušovačom a adekvátnym uzemnením.

▶ **6.1.2.** Napájacie napätie a frekvencia sú správne (viď typový štítok na napájacom adaptéri).

Pripojte napájací adaptér k ohrievaču (Obr. 15) a potom zapojte napájací adaptér do elektrickej siete (Obr. 16).

▶▶ 6.2. OHRIEVAČ NAPÁJANÝ

NABÍJATEĽNOU BATÉRIOU (ak existuje):

POUŽÍVAJTE VÝHRADNE ORIGINÁLNE NABÍJATEĽNÉ BATÉRIE S NAPÁJANÍM VYZNAČENÝM NA TYPOVOM ŠTÍTKU S TECHNICKÝMI ÚDAJMI OHRIEVAČA.

Vložte nabíjateľnú batériu do priestoru pre batériu, ktorý sa nachádza pod základňou ohrievača (Obr. 17).

Nabíjateľná batéria (súčasťou balenia a/alebo na želanie v závislosti od modelu) je dodávaná čiastočne nabitá. Ak chcete zabezpečiť plný výkon ohrievača, pred prvým použitím úplne nabite nabíjateľnú batériu použitím originálnej nabíjačky batérií (každá batéria vyžaduje špecifickú nabíjačku). Nabíjateľná batéria je vybavená reguláciou teploty "NTC", ktorá umožňuje nabíjanie len v rozsahu teplôt medzi 0°C a 40°C. Týmto spôsobom je zaručená dlhá životnosť nabíjateľnej batérie.

▶▶ 6.3. OHRIEVAČ NAPÁJANÝ

ADAPTÉROM S VLOŽENOU BATÉRIOU (ak existuje):

Pripojte napájací adaptér k ohrievaču (Obr. 15) a potom zapojte napájací adaptér do elektrickej siete (Obr. 16) (viď typový štítok na ohrievači). Ohrievač automaticky vylúči nabíjateľnú batériu. **NAPÁJACÍ ADAPTÉR NEPLNÍ FUNKCIU NABÍJAČKY BATÉRIE**, a preto keď je ohrievač napájaný zo siete, nabíjateľná batéria nie je dobíjaná.

►►► 7. ZAPALOVANIE

►► 7.1. REŽIM VYKUROVANIE:

► 7.1.1. Prepnete vypínač "O/I" do polohy "I" (Obr. 18).

► 7.1.2. Počkajte niekoľko sekúnd.

► 7.1.3. Stlačte tlačidlo plynu na doraz a podržte ho stlačené (Obr. 19).

► 7.1.4. Pôsobte opakovane na piezoelektrický zapalovač (Obr. 20) stlačením a podržaním tlačidla plynu (Obr. 19).

► 7.1.5. Po zapálení plameňa stlačte a podržte tlačidlo plynu po dobu asi 15 sek. (Obr. 21).

► 7.1.6. Uvoľnite tlačidlo plynu (Obr. 22).

V prípade výpadku napájania alebo nedostatku plynu sa ohrievač vypne. Opätovné zapalovanie ohrievača nie je automatické, ale musí byť vykonané ručne opakovaním postupu zapalovania. V prípade, že sa ohrievač nezapáli, konzultujte príslušnú časť (Odst. "12. ANOMÁLIE PREVÁDZKY, PRÍČINY A NÁPRAVY").

►► 7.2. REŽIM VENTILÁCIA:

Ohrievač môže byť tiež použitý ako ventilátor. Pripojte k ohrievaču elektrickú zástrčku a/alebo vložte nabíjateľnú batériu a prepnete vypínač "O/I" do polohy "I" (Obr. 18).

POZN.: Pokiaľ ohrievač funguje v režime vyhrievania a chcete prejsť do režimu ventilácie, je nutné najskôr vykonať správny postup vypnutia (Odst. "9. VYPNUTIE").

►►► 8. NASTAVENIE TEPELNÉHO VÝKONU

sk Tepelný výkon možno nastaviť otáčaním gombíka v spodnej časti ohrievača (Obr. 23).

►►► 9. VYPNUTIE

► 9.1. Zatvorte plynovú fľašu (Obr. 24).

► 9.2. Nechajte pracovať ventilátor asi 60 sek., aby sa zabránilo vnútornému poškodeniu v dôsledku prehriatia (vnútorné ochladenie ohrievača).

► 9.3. Prepnete vypínač "O/I" do polohy "O" (Obr. 25).

► 9.4. Odpojte ohrievač z elektrickej siete (Obr. 26) a/alebo vyberte nabíjateľnú batériu zo siete alebo ju odpojte (Obr. 27).

► 9.5. Odpojte ohrievač od prívodnej plynovej hadice (Obr. 28-29-30).

►►► 10. ČISTENIE A ÚDRŽBA

Najmenej raz za rok a/alebo podľa potreby nechajte vykonať technickú kontrolu riadneho fungovania ohrievača. Po použití sa musí ohrievač starostlivo vyčistiť pred jeho uložením.

► 10.1. Pred začatím akejkoľvek údržby, kontroly a opravy na ohrievači vykonajte postup vypnutia (Odst. "9. VYPNUTIE").

► 10.2. Čistenie sa vzťahuje iba na prívod vzduchu (zadná časť) ohrievača.

► 10.3. Pri opätovnom použití ohrievača skontrolujte neporušenosť plynovej hadice; ak máte pochybnosti o jej integrite, požiadajte o zásah servisného technika.

► 10.4. Nevykonávajte nepovolené zásahy.

►►► 11. UCHOVÁVANIE A PREPRAVA BATÉRIE

NEUCHOVÁVAJTE A NESKLADUJTE BATÉRIU NA MIESTACH S NÍZKOU TEPLOTOU NA DLHÚ DOBU.

Dobíjacie Li-iónové batérie podliehajú požiadavkám právnych predpisov týkajúcich sa nebezpečného tovaru. Dobíjacie batérie môžu byť prepravované po ceste užívateľom bez ďalších opatrení. V prípade zaslania prostredníctvom tretích strán (napríklad leteckej dopravy a/alebo prepravcu) musia byť dodržané osobitné požiadavky v súlade s platnými predpismi. Zasielajte dobíjacie batérie iba vtedy, ak ich obal nie je poškodený. Zakryte s lepiacou páskou otvorené kontakty a zabalte nabíjateľnú batériu takým spôsobom, aby sa nepohybovala v balení. Žiadame Vás tiež o dodržiavanie dodatočných vnútroštátnych predpisov.

►►► 12. ANOMÁLIE PREVÁDZKY, PRÍČINY A NÁPRAVY

ANOMÁLIE PREVÁDZKY	PRÍČINY	NÁPRAVY
Motor sa nespustí	Chýbajúce napätie (pri napájaní zo siete)	1.Skontrolujte zariadenie siete 2.Technická podpora
	Vybitá batéria (pri napájaní z batérie)	1.Dobite batériu 2.Technická podpora
	Vadný napájací adaptér alebo batéria	Technická podpora
	Vadný motor	Technická podpora
Plameň sa nezapaľuje	Plynová fľaša je prázdna	Vymeňte plynovú fľašu (Odst. 5)
	Poistný ventil regulátora zablokovaný	1.Stlačte uvoľňovacie tlačidlo regulátora plynu (Obr. 13) 2.Technická podpora
	Kohútik plynovej fľaše zatvorený	Otvorte kohútik plynovej fľaše (Obr. 12)
	Vadný obvod zapalovania	Technická podpora
Plameň zhasína	Plynové tlačidlo nebolo stlačené dostatočne dlhú dobu	Stlačte plynové tlačidlo dlhšie (Odst. 7.1.5.)
	Vadný ohrievač	Technická podpora
Vypnutie plameňa počas prevádzky	Nedostatočný prívod plynu	1.Vymeňte plynovú fľašu (Odst. 5) 2.Technická podpora
	Prehriatie ohrievača	1.Vyčistite prívod vzduchu (zadná strana) 2.Technická podpora
	Vadný ohrievač	Technická podpora

ПРЕГЛЕД НА ПАРАГРАФИТЕ


1...	ОПИСАНИЕ
2...	ПРЕДУПРЕЖДЕНИЯ
3...	ВИД ГОРИВО
4...	ОПИСАНИЕ НА АРТИКУЛИТЕ
5...	СВЪРЗВАНЕ И СМЯНА НА ГАЗОВАТА БУТИЛКА
6...	ЕЛЕКТРОЗАХРАНВАНЕ
7...	ВКЛЮЧВАНЕ
8...	РЕГУЛИРАНЕ НА ТОПЛИННАТА МОЩНОСТ
9...	ИЗКЛЮЧВАНЕ
10...	ПОЧИСТВАНЕ И ПОДДРЪЖКА
11...	СЪХРАНЕНИЕ И ТРАНСПОРТИРАНЕ НА АКУМУЛАТОРА
12...	ПРОБЛЕМИ ПРИ РАБОТА, ПРИЧИНИ И РЕШЕНИЯ


ВАЖНО: ПРОЧЕТЕТЕ И СЕ ЗАПОЗНАЙТЕ С НАСТОЯЩИЯТ НАРЪЧНИК, ПРЕДИ ИЗВЪРШВАНЕ НА МОНТАЖ, ПУСКАНЕ В ДЕЙСТВИЕ ИЛИ ПОДДРЪЖКА НА ТОЗИ ВИД ГЕНЕРАТОР. НЕПРАВИЛНАТА УПОТРЕБА НА ГЕНЕРАТОРА, МОЖЕ ДА ДОВЕДЕ ДО СЕРИОЗНИ НАРАНЯВАНИЯ. СЪХРАНЯВАЙТЕ ТОЗИ НАРЪЧНИК ЗА ИЗВЪРШВАНЕ НА БЪДЕЩА СПРАВКА.


▶▶▶ 1. ОПИСАНИЕ


Това е преносим отоплител за въздух (калорифер), който работи с втечен газ и се отличава с пълното оползотворяване на горивото чрез топлообмен чрез директно смесване на засмукания въздух и горивните продукти. Снабден е с практична дръжка за по-лесно транспортиране и преместване. Този калорифер може да бъде захранван чрез специално захранващо устройство или от система презареждащи се батерии. Произведен е съгласно стандарт EN 1596.

▶▶▶ 2. ПРЕДУПРЕЖДЕНИЯ

▶  **ВАЖНО:** Не използвайте за затопляне на обитаеми помещения на жилищни сгради; за употреба в обществени сгради следва да се съобразявате с регламентите на страната.

▶  **ВАЖНО:** Този калорифер не е подходящ за използване от лица (включително деца) с намалени физически, сензорни и умствени способности, или от неопитни хора, освен ако не са наблюдавани от лице, отговорно за тяхната безопасност. Децата трябва да са под контрол, за да сте сигурни, че не си играят с калорифера. Дръжте животните на безопасно разстояние от калорифера.

▶  **ВАЖНО:** Неподходящата употреба на този калорифер може да причини вреди или опасност за живота на хора, наранявания, изгаряния, взривове, електрошок или отравяне. Първите симптоми за асфиксия от въглероден окис наподобяват тези на грипа с главоболие, световъртеж и/или гадене. Тези симптоми биха могли да бъдат причинени от дефектна работа на калорифера. В СЛУЧАЙ НА ПОЯВА НА ТЕЗИ СИМПТОМИ, НЕЗАБАВНО ИЗЛЕЗТЕ НА ОТКРИТО и дайте калорифера на поправка в сервизния център.

▶  **ВАЖНО:** Всички мероприятия по почистване, поддръжка и ремонт с необходимост от достъп до опасни части трябва да се извършват от производителя, от негов сервизен център, от лице с подобна техническа подготовка, за да се предотвратят всякакви рискове, въпреки че е предвидено изключване от захранващата мрежа.

▶ **2.1.** Относно правилното използване на калорифера и съхранението на горивото се придържайте към всички местни разпоредби и към действащата нормативна база.

▶ **2.2.** Калориферът се нуждае от подходящ въздухообмен за работата си. Затова той трябва да се използва на открито или в стаи с гарантиран и непрекъснат въздухообмен. Добро

проветряване е гарантирано, когато кубатурата на стаята е изчислена спрямо топлинната мощност по формулата 1m^3 на всеки 100W мощност. В никакъв случай препоръчаната кубатура на стаята не трябва да бъде по-малка от 100m^3 . Добрата вентилация е гарантирана от отвор, който трябва да отговаря на формулата 25cm^2 на kW топлинна мощност, с минимум от 250cm^2 , разделен поравно между горната и долната част на стаята. За монтажа са валидни действащите национални норми, включително техническите стандарти и разпоредби в сферата на охраната на труда и пожаробезопасността.

► **2.3.** Калориферът трябва да се използва само за затопляне на въздуха (режим отопление) или за раздвижване на въздуха (режим вентилация). При употреба спазвайте стриктно настоящите инструкции.

► **2.4.** Производителят не поема никаква отговорност за щети, нанесени на предмети и/или хора, произтичащи от неподходящото използване на калорифера.

► **2.5.** Захранвайте калорифера само с вида гориво, изрично посочен върху табелката с данни, поставена върху уреда.

► **2.6.** Проверете дали сте свързали калорифера само към електрически мрежи, разполагащи с подходящ диференциален прекъсвач и с адекватно заземяване.

► **2.7.** Използвайте само удължители с подходящо сечение, със заземителен проводник.

► **2.8.** Калориферът трябва да работи върху нивелирана, стабилна и огнеупорна повърхност, така че да се избегнат рискове от пожар.

► **2.9.** Абсолютно е забранено да използвате калорифера в сутеренни помещения или подземни такива.

► **2.10.** Калориферът не трябва да се използва в помещения, в които има експлозивни прахове, дим, газове, горива, разтворители, бои.

► **2.11.** Ако калориферът се използва в близост до платнища, завеси или сходни покриващи материали, препоръчваме да използвате допълнителни защиты от незапалим тип. Погрижете се да държите запалими (плат, хартия, дърво и др.) или термолабилни материали (включително кабелът на захранващото устройство, ако има такова) на подходящо разстояние от горещите части на калорифера, което в никакъв случай не трябва да бъде под $2,5\text{m}$.

► **2.12.** Поставете газовата бутилка на защитено място, зад уреда (Сх. 1). Калориферът никога не трябва да бъде насочен към газовата бутилка (Сх. 2).

► **2.13.** Забранено е да препречвате напълно или частично входния (от задната страна) и/или

изходния отвор за въздух (от предната страна) по каквато и да е причина (Сх. 3). Избягвайте да използвате каквито и да е въздухопроводи от/до калорифера. Уверете се, че не се запушват аспирационните процепи за въздух, разположени на дъното на базата (за моделите, които допускат това решение).

► **2.14.** При незапалване или аномално запалване на калорифера, прегледайте специалния раздел (Парагр. "12. ПРОБЛЕМИ ПРИ РАБОТА, ПРИЧИНИ И РЕШЕНИЯ").

► **2.15.** Калориферът никога не трябва да се премества, с него да се борави, нито да бъде подлаган на каквото и да е мероприятие по поддръжка, докато същият работи.

► **2.16.** При всички условия на употреба или на оставяне на калорифера в покой, внимавайте да не е повреден маркучът за газ (притиснат, огънат, усукан, опънат и др.).

► **2.17.** Ако усетите мирис на газ, веднага изключете калорифера, затворете газовата бутилка, изключете щепсела на захранващото устройство от мрежата и/или отстранете презареждащата батерия (акумулатор) и впоследствие се свържете със сервизния център.

► **2.18.** В случай на смяна на маркуч за газ използвайте само гъвкав тип маркучи, подходящ за експлоатационното налягане, като се съобразявате с националните правилници. Маркучът за газ трябва да е с дължина от $1,5\text{m}$.

► **2.19.** Когато калориферът не се използва, разкачете щепсела на захранващото устройство от мрежата и/или отстранете акумулатора, затворете захранването с газ, разкачете маркуча за газ от калорифера и запушете входа за газ на калорифера.

► **2.20.** Изисквайте сервизен център да проверява правилната работа на калорифера поне веднъж годишно и/или според необходимостта.

► **2.21.** Проверете дали калориферът е изключен, преди да включите електрическия щепсел на захранващото устройство и/или да поставите акумулатора, така че да предотвратите всякакви рискове.

► **2.22.** Използвайте само и единствено изрично предвидените оригинални презареждащи батерии (акумулатори). Използването на непредвидени акумулатори може да нанесе щети или да създаде опасност за живота на хора, да предизвика наранявания, изгаряния, експлозии, електрошок или отравяне.

► **2.23.** Поддържайте подходяща безопасна дистанция между разкачения акумулатор и скоби, монети, ключове, гвоздеи, винтове и други малки метални предмети, които биха могли да предизвикат евентуално късо съединение.

Евентуално късо съединение между контактите на акумулатора може да предизвика щети или опасност за живота на хора, наранявания, изгаряния, експлозии и др.

► **2.24.** Неправилното използване на акумулатора може да породи изтичане на течност от акумулатора. Задължително избягвайте контакта. В случай на случаен контакт изплакнете щателно с вода. Незабавно потърсете медицинска помощ, ако течността влезе в контакт с очите. Изтеклата от акумулатора течност може да причини кожно дразнене или изгаряния.

► **2.25.** Неправилната употреба на акумулатора може да предизвика изтичане на пари от акумулатора. Задължително избягвайте да вдишвате тези пари. Оставете да влезе чист въздух и при случайно вдишване се обърнете към лекар за преглед в случай на проблеми. Парата може да раздразни дихателните пътища.

► **2.26.** С цел избягване на сериозни рискове, не се опитвайте да отваряте/демонтирате акумулатора.

► **2.27.** С цел избягване на сериозни рискове, защитете акумулатора от топлина (например от непрекъснато слънчево греене, от огън, вода, влага и др.).

► **2.28.** Използвайте конкретния акумулатор само и единствено с този калорифер, за да избегнете опасни свръхтовари.

► **2.29.** Използвайте единствено оригинални акумулатори с напрежението, посочено на табелката с техническите данни на калорифера. При използване на други акумулаторни батерии (например акумулатори - имитации, регенерирани акумулатори, акумулатори на конкурентни фирми и др.) съществува опасност от наранявания и/или експлозии.

► **2.30.** Зареждайте презареждаемия акумулатор само и единствено с оригинално зарядно устройство. Всеки акумулатор се нуждае от конкретното зарядно устройство, за да се избегнат рискове от пожар или експлозия.

► **2.31.** Използвайте само режимите на електрическо хранване, предвидени в това ръководство. За да преминете от един към друг режим, изпълнете процедурата за изключване (Парагр. "9. ИЗКЛЮЧВАНЕ"). Забранено е да променят режима на хранване при работещ калорифер, за да не нанесете тежки щети.

►►► 3. ВИД ГОРИВО

Използвайте само газ от категория I₃V/P.

►►► 4. ОПИСАНИЕ НА АРТИКУЛИТЕ

►► 4.1. ЗАХРАНВАЩО УСТРОЙСТВО (ако е налично):

ЗАХРАНВАЩОТО УСТРОЙСТВО НЯМА ФУНКЦИЯ НА ЗАРЯДНО ЗА АКУМУЛАТОРИ.

(Сх. 4) Калориферът може да работи, свързан към електрическата мрежа посредством устройство, наречено хранващо устройство. Хранващото устройство е проектирано за получаване на входа на доставен от мрежата монофазен променлив ток и да го преобразува на изхода в постоянен ток, подходящ за работата на калорифера. Необходимо е да спазвате параметрите за функциониране на хранващото устройство (вж табелката с данни, поставена върху хранващото устройство). Използвайте хранващото устройство на напълно сухи места, защитени от прах, за да хранват единствено този калорифер. Периодично проверявайте състоянието на кабела на хранващото устройство, за да избегнете риска от нанасяне на сериозни щети. Спазвайте всички предупреждения относно хранващото устройство, посочени в настоящото ръководство.

►► 4.2. АКУМУЛАТОР (ако е наличен):

(Сх. 5) Калориферът може да работи и автономно с оригинален литиево-йонен акумулатор, без да трябва да е свързан към електрическата мрежа. Акумулаторът се доставя частично зареден и затова препоръчваме да изпълните пълен цикъл на презареждане, преди да използвате акумулатора. Използвайте само оригинални акумулатори за хранване на калорифера. Спазвайте всички предупреждения относно акумулатора, посочени в настоящото ръководство.

►► 4.3. ЗАРЯДНО УСТРОЙСТВО ЗА АКУМУЛАТОРИ (ако е налично):

(Сх. 6) Зарядното устройство за акумулатори е проектирано за презареждане на оригинални презареждащи се акумулатори. Необходимо е да осигурите работните параметри на зарядното устройство за акумулатори (вж табелката с данни, поставена върху зарядното устройство). Използвайте зарядното устройство на напълно сухи места, защитени от прах, за да зареждате само оригиналните акумулатори, които може да се използват само за хранване на този калорифер. Зарядното устройство е проектирано за автоматично управление на правилния цикъл на презареждане, когато акумулаторът бъде свързан (Сх. 7). Редица светлинни индикатори,

разположени върху зарядното устройство, позволява подробна диагностика по време на етапа по презареждане на акумулатора (Сх. 8). Спазвайте всички предупреждения относно зарядното устройство за акумулатори, посочени в настоящото ръководство.

▶▶▶ 5. СВЪРЗВАНЕ И СМЯНА НА ГАЗОВАТА БУТИЛКА

Газовата бутилка трябва да се сменя на открито, далече от източници на топлина, в атмосфера без пламъци.

За свързването на газовата бутилка към калорифера трябва да използвате само следните принадлежности:

- Маркуч за втечен газ.
- Регулатор на налягането за втечен газ, окомплектован с предпазен клапан.

ПРОВЕРЕТЕ ЦЯЛОСТТА НА МАРКУЧА ЗА ЗАХРАНВАЩ ГАЗ. В СЛУЧАЙ, ЧЕ Е НУЖНО ДА БЪДЕ СМЕНЕН, ИЗПОЛЗВАЙТЕ САМО МАРКУЧ ОТ ГЪВКАВ ТИП, СЪОТВЕТСТВАЩ НА ЕКСПЛОАТАЦИОННОТО НАЛЯГАНЕ, КАТО ЗА ЦЕЛТА НАПРАВЕТЕ СПРАВКА С НАЦИОНАЛНИТЕ РЕГЛАМЕНТИ.

▶ За да свържете калорифера към газовата бутилка:

ВНИМАНИЕ: ВСИЧКИ РЕЗБИ СА ЛЕВИ, ТОЕСТ ТРЯБВА ДА СЕ ЗАТЯГАТ ПО ПОСОКА, ОБРАТНА НА ДВИЖЕНИЕТО НА ЧАСОВНИКОВАТА СТРЕЛКА.

▶ **5.1.** Завийте маркуча за газ към фитинга на калорифера (Сх. 9).

▶ **5.2.** Върху газовата бутилка монтирайте регулатора за налягане. Уверете се, че върху регулатора има уплътнение (ако видът връзка го предвижда) (Сх. 10).

▶ **5.3.** Свържете маркуча за газ към регулатора за налягане (Сх. 11).

▶ **5.4.** Отворете вентила на газовата бутилка (Сх. 12).

▶ **5.5.** Натиснете бутона за разблокиране на регулатора (Сх. 13). **Проверете непроницаемостта на връзките със сапунена вода: появата на мехурчета би сигнализираща за евентуални изтичания на газ (Сх. 14).** Възможно е да свържете помежду им няколко газови бутилки, за да постигнете по-голяма автономия. Правилното работно налягане (вж табелката с данни, поставена върху калорифера) се получава от доставения регулатор или от регулатор от еквивалентен модел.

▶▶▶ 6. ЕЛЕКТРОЗАХРАНВАНЕ **ИЗПОЛЗВАЙТЕ САМО ПОСОЧЕНИТЕ ПОДОЛУ РЕЖИМИ НА ЗАХРАНВАНЕ. ЗА ДА ПРЕМИНЕТЕ ОТ ЕДИН РЕЖИМ КЪМ ДРУГ, ИЗПЪЛНЕТЕ ПРОЦЕДУРАТА ЗА ИЗКЛЮЧВАНЕ (Парагр. "9. ИЗКЛЮЧВАНЕ"). ЗАБРАНЕНО Е ДА СМЕНЯТЕ РЕЖИМА НА ЗАХРАНВАНЕ ПО ВРЕМЕ НА РАБОТА НА КАЛОРИФЕРА.**

▶▶ 6.1. КАЛОРИФЕР, ЗАХРАНВАН ОТ ЗАХРАНВАЩОТО УСТРОЙСТВО (ако е наличен):

СВЪРЗВАНЕТО КЪМ ЕЛЕКТРИЧЕСКАТА МРЕЖА ТРЯБВА ДА СЕ ИЗВЪРШИ В СЪОТВЕТСТВИЕ С ВАЛИДНИТЕ НАЦИОНАЛНИ СТАНДАРТИ.

Преди да свържете калорифера към електрическата мрежа, се уверете, че:

▶ **6.1.1.** Електрическата мрежа разполага с диференциален прекъсвач и с подходящо заземяване.

▶ **6.1.2.** Напрежението и честотата на захранване са правилни (виж табелката с данни, поставена върху захранващото устройство).

Свържете захранващото устройство към калорифера (Сх. 15) и след това свържете захранващото устройство към електрическата мрежа (Сх. 16).

▶▶ 6.2. КАЛОРИФЕР, ЗАХРАНВАН ОТ ЗАРЕЖДАЩ СЕ АКУМУЛАТОР (ако е налична):

ИЗПОЛЗВАЙТЕ ЕДИНСТВЕНО ОРИГИНАЛНИ АКУМУЛАТОРИ С НАПРЕЖЕНИЕТО, ПОСОЧЕНО ВЪРХУ ТАБЕЛКАТА С ТЕХНИЧЕСКИТЕ ДАННИ НА КАЛОРИФЕРА.

Поставете акумулатора на мястото за акумулатори, разположено под базата на калорифера (Сх. 17).

Акумулаторът (доставен включен в опаковката и/или като опционална доставка в зависимост от модела) се доставя частично зареден. За да гарантирате пълната мощност на акумулатора, преди първото използване презаредете напълно акумулатора в оригиналното зарядно устройство (всеки акумулатор се нуждае от специално зарядно). Презареждащият се акумулатор е снабден с управление на температурата "NTC", което позволява презареждане единствено в температурния диапазон между 0°C и 40°C. По този начин се постига повишена дълготрайност на акумулатора.

►► 6.3. КАЛОРИФЕР, ЗАХРАНВАН ОТ ЗАХРАНВАЩОТО УСТРОЙСТВО С

ПОСТАВЕН АКУМУЛАТОР (ако е наличен):

Свържете захранващото устройство към калорифера (Сх. 15) и след това свържете захранващото устройство към електрическата мрежа (Сх. 16) (вж табелката с данни, поставена върху калорифера). Калориферът изключва автоматично акумулатора. ЗАХРАНВАЩОТО УСТРОЙСТВО НЯМА ФУНКЦИЯ НА ЗАРЯДНО ЗА АКУМУЛАТОР, така че когато калориферът се захранва от електрическата мрежа, свързаният акумулатор не се презарежда.

►►► 7. ВКЛЮЧВАНЕ

►► 7.1. РЕЖИМ ОТОПЛЕНИЕ:

► **7.1.1.** Поставете прекъсвача "O/I" на положение "I" (Сх. 18).

► **7.1.2.** Изчакайте няколко секунди.

► **7.1.3.** Натиснете бутона за газ до дъно и го дръжте натиснат (Сх. 19).

► **7.1.4.** Натиснете докрай и няколкократно пиезоелектрическата запалка (Сх. 20), като задържи натиснат бутона за газ (Сх. 19).

► **7.1.5.** След запалване на пламъка, задръжте натиснат бутона за газ в продължение на около 15 сек. (Сх. 21).

► **7.1.6.** Пуснете бутона за газ (Сх. 22).

В случай на прекъсване на електроенергията или поради липса на газ калориферът изгасва. Повторното запалване на калорифера не става автоматично, а трябва да се извърши ръчно, повтаряйки процедурата на включване. Ако калориферът не се запали, разгледайте съответния раздел (Парагр. "12. ПРОБЛЕМИ ПРИ РАБОТА, ПРИЧИНИ И РЕШЕНИЯ").

►► 7.2. РЕЖИМ ВЕНТИЛАЦИЯ:

Калориферът може да се използва и като вентилатор. Свържете калорифера към електрическия щепсел и/или поставете акумулатора и поставете прекъсвача "O/I" на положение "I" (Сх. 18).

ЗАБЕЛЕЖКА: При калорифер, работещ в режим на отопление, преди да се премине към режим на вентилация трябва да изпълните правилно процедурата за изключване (Парагр. "9. ИЗКЛЮЧВАНЕ").

►►► 8. РЕГУЛИРАНЕ НА ТОПЛИННАТА МОЩНОСТ

Топлинната мощност може да се регулира чрез ръкохватката, разположена върху базата на калорифера (Сх. 23).

►►► 9. ИЗКЛЮЧВАНЕ

► **9.1.** Затворете газовата бутилка (Сх. 24).

► **9.2.** Оставете вентилатора да работи около 60 сек., за да избегнете риска от нанасяне на вътрешни щети вследствие на прегряване (вътрешно охлаждане на калорифера).

► **9.3.** Поставете прекъсвача "O/I" на положение "O" (Сх. 25).

► **9.4.** Изключете калорифера от мрежата (Сх. 26) и/или отстранете акумулатора от електрическата мрежа или разкачете акумулатора (Сх. 27).

► **9.5.** Разкачете калорифера от маркуча за захранване с газ (Сх. 28-29-30).

►►► 10. ПОЧИСТВАНЕ И ПОДДРЪЖКА

Изисквайте сервизният център да проверява правилната работа на калорифера поне веднъж годишно и/или според необходимостта. Почиствайте калорифера, преди да го оставите след употреба.

► **10.1.** Преди да започнете какъвто и да е вид мероприятие по поддръжка, грижа и поправка по калорифера, изпълнете процедурата за изключване (Парагр. "9. ИЗКЛЮЧВАНЕ").

► **10.2.** Почистването се отнася само до входа за въздух (от задната страна) на калорифера.

► **10.3.** Когато калориферът се използва повторно, проверявайте дали маркучът за газ не е нарушен; ако имате съмнения относно неговата цялост, поискайте намесата на сервизния център.

► **10.4.** Не извършвайте неразрешени мероприятия.

►►► 11. СЪХРАНЕНИЕ И ТРАНСПОРТИРАНЕ НА АКУМУЛАТОРА

НЕ СЪХРАНЯВАЙТЕ И СКЛАДИРАЙТЕ АКУМУЛАТОРА НА МЕСТА, КЪДЕТО СЕ ПОДДЪРЖАТ НИСКИ ТЕМПЕРАТУРИ ЗА ПРОДЪЛЖИТЕЛЕН ПЕРИОД ОТ ВРЕМЕ.

Презареждащите се литиевойонни батерии (акумулатори) трябва да отговарят на законовите изисквания за опасни стоки. Акумулаторите може да се транспортират с автомобилен транспорт от потребителя без допълнителни предпазни мерки. При спедиция чрез трети лица (например въздушен транспорт и/или спедитор), трябва да се съблюдават специфичните реквизити според действащите норми. Изпращайте акумулаторите само ако обвивката им не е повредена. Покрийте с тиксо откритите контакти и опаковайте акумулатора така, че да не се движи в опаковката. Молим Ви да спазвате и евентуални други национални норми.

►►► 12. ПРОБЛЕМИ ПРИ РАБОТА, ПРИЧИНИ И РЕШЕНИЯ

ПРОБЛЕМИ ПРИ РАБОТА	ПРИЧИНИ	РЕШЕНИЯ
Двигателят не стартира	Липса на напрежение (ако се захранва от мрежата)	1.Проверете мрежовата инсталация 2.Обърнете се за съдействие към сервизен център
	Разреден акумулатор (ако се захранва от акумулатор)	1.Заредете акумулатора 2.Обърнете се за съдействие към сервизен център
	Дефектно захранване или акумулатор	Обърнете се за съдействие към сервизен център
	Повреден двигател	Обърнете се за съдействие към сервизен център
Пламъкът не се запалва	Празна газова бутилка	Сменете газова бутилка (Парагр. 5)
	Блокиран предпазен клапан на регулатора	1.Натиснете бутона за разблокиране на газта на регулатора (Сх. 13) 2.Обърнете се за съдействие към сервизен център
	Затворен вентил на газова бутилка	Отворете вентила на газова бутилка (Сх. 12)
	Дефектен кръг за запалване	Обърнете се за съдействие към сервизен център
Пламъкът не остава запален	Бутонът за газ не е останал натиснат достатъчно време	Натиснете бутона за газ по-дълго (Парагр. 7.1.5.)
	Дефектен калорифер	Обърнете се за съдействие към сервизен център
Изгасване на пламъка по време на работа	Недостатъчно захранване с газ	1.Сменете газова бутилка (Парагр. 5) 2.Обърнете се за съдействие към сервизен център
	Прегряване на калорифера	1.Почистете входния отвор за въздух (от задната страна) 2.Обърнете се за съдействие към сервизен център
	Дефектен калорифер	Обърнете се за съдействие към сервизен център

ЗМІСТ РОЗДІЛІВ


1...	ОПИСАННЯ
2...	ЗАСТЕРЕЖЕННЯ
3...	ТИП ПАЛИВА
4...	ОПИСАННЯ АРТИКУЛІВ
5...	ПІДКЛЮЧЕННЯ ТА ЗАМІНА ГАЗОВОГО БАЛОНА
6...	ЕЛЕКТРИЧНЕ ЖИВЛЕННЯ
7...	ВМИКАННЯ
8...	РЕГУЛЮВАННЯ ТЕПЛОВОЇ ПОТУЖНОСТІ
9...	ВИМИКАННЯ
10...	ЧИСТКА ТА ТЕХНІЧНЕ ОБСЛУГОВУВАННЯ
11...	КОНСЕРВАЦІЯ ТА ТРАНСПОРТУВАННЯ БАТАРЕЇ
12...	НЕСПРАВНОСТІ В РОБОТІ, ПРИЧИНИ ТА ШЛЯХИ ЇХ УСУНЕННЯ


ВАЖЛИВО: УВАЖНО ОЗНАЙОМТЕСЬ З ЦІЄЮ ІНСТРУКЦІЄЮ З ЕКСПЛУАТАЦІЇ ПЕРЕД МОНТАЖЕМ, ЗАПУСКОМ І ТЕХНІЧНИМ ОБСЛУГОВУВАННЯМ ДАНОГО ГЕНЕРАТОРА. НЕПРАВИЛЬНА ЕКСПЛУАТАЦІЯ ГЕНЕРАТОРА МОЖЕ СПРИЧИНИТИ СЕРЙОЗНІ ТРАВМИ. ЗБЕРЕЖІТЬ ЦЮ ІНСТРУКЦІЮ ДЛЯ ВИКОРИСТАННЯ В МАЙБУТЬОМУ.

▶▶▶ 1. ОПИСАННЯ


Даний нагрівач є переносним обігрівачем повітря, який працює на зрідженому газі і характеризується повним спалюванням палива завдяки теплообміну при прямому змішуванні всмоктуваного повітря та продуктів згоряння. Нагрівач обладнаний практичною ручкою для легкого транспортування та переміщення. Живлення нагрівача може забезпечуватися як за допомогою відповідного блоку живлення, так і за допомогою системи перезаряджувальних батарей. Пристрій виготовлений у відповідності до стандарту EN 1596.


▶▶▶ 2. ЗАСТЕРЕЖЕННЯ

▶  **ВАЖЛИВО:** Не використовуйте пристрій для обігрівання житлових приміщень та житлових будинків; при використанні в громадських будівлях керуйтеся положеннями національного законодавства.

▶  **ВАЖЛИВО:** Цей пристрій не пристосований для використання особами (включаючи дітей) з обмеженими фізичними і розумовими можливостями або непідготовленими особами, за виключенням випадків, коли вони перебувають під наглядом

особи, відповідальної за їхню безпеку. Діти повинні перебувати під наглядом, аби перешкодити їм гратися з пристроєм. Тримайте тварин на безпечній відстані від пристрою.

▶  **ВАЖЛИВО:** Неправильне використання цього нагрівача може спричинити поранення або загрозу для життя людини, травми, опіки вибухи, враження електричним струмом або отруєння. Перші ознаки отруєння чадним газом нагадують ознаки захворювання на грип: головний біль, запаморочення та/або нудота. Ці симптоми можуть бути спричинені несправною роботою нагрівача. В РАЗІ ВИНИКНЕННЯ ТАКИХ СИМПТОМІВ НЕГАЙНО ВИЙДІТЬ НА СВІЖЕ ПОВІТРЯ та зверніться до служби технічного обслуговування з запитом на ремонт нагрівача.

▶  **ВАЖЛИВО:** Всі операції з чищення, обслуговування та ремонту, які передбачають доступ до небезпечних частин (наприклад, заміна пошкодженого шнура живлення) повинні проводитися виробником, його службою технічного обслуговування, особою з необхідною фаховою підготовкою, щоб запобігти будь-якому ризику, навіть якщо передбачене відключення від електромережі.

► **2.1.** Для правильного використання нагрівача та для зберігання пального керуйтеся відповідними положеннями країни використання та нормами чинного законодавства.

► **2.2.** Для правильної роботи нагрівач потребує належного повітрообміну. Тому він використовується на відкритому повітрі або в приміщеннях зі стабільним та постійним повітрообміном. Хороша вентиляція забезпечується в тому разі, якщо об'єм приміщення розраховується на теплову потужність з розрахунку 1 м^3 на кожні 100Вт потужності. Рекомендований об'єм приміщення в жодному разі не повинен бути меншим за 100 м^3 . Хороша вентиляція забезпечується наявністю вентиляційного отвору, розмір якого розраховується за формулою 25 см^2 на 1 кВт теплової потужності, але не менше 250 см^2 . Отвір має бути розташований приблизно на однаковій відстані від підлоги та стелі приміщення. Щодо монтажу, слід керуватися чинними норми країни використання, включаючи технічні норми і правил техніки безпеки та протипожежної безпеки.

► **2.3.** Нагрівач слід використовувати виключно для нагрівання повітря (в режимі обігрівання) або для циркуляції повітря (в режимі вентиляції). При експлуатації слід суворо дотримуватися викладених нижче інструкцій.

► **2.4.** Виробник не несе жодної відповідальності за шкоду майну та/або особам в результаті неправильного використання пристрою.

► **2.5.** Для роботи нагрівача використовуйте лише чітко зазначений тип пального та струм з напругою і частотою, що вказані на табличці з технічними даними, встановленій на нагрівачі.

► **2.6.** Переконайтесь в тому, що нагрівач підключається лише до тих електромереж, які належним чином обладнані диференціальним вимикачем та заземленням.

► **2.7.** Використовуйте подовжувачі лише з належним січенням та з проводом заземлення.

► **2.8.** Щоб запобігти ризику пожежі, нагрівач має працювати на горизонтальній, рівній, стійкій та вогнетривкій поверхні.

► **2.9.** Категорично забороняється використовувати пристрій в підвальних приміщеннях або нижче рівня землі.

► **2.10.** Нагрівач не повинен використовуватися в приміщеннях, де знаходяться вибухові речовини, газові випари, газ, пальні речовини, розчинники, фарби.

► **2.11.** В разі використання нагрівача поблизу завіс, тентів або подібних їм покрівельних матеріалів рекомендується вживати додаткові протипожежні заходи. Подбайте про дотримання належної відстані, яка в жодному разі має бути не меншою за 2,5м від займистих матеріалів (тканина, папір, дерево тощо) або матеріалів,

що руйнуються під дією тепла (включаючи шнур живлення), до гарячих частин нагрівача.

► **2.12.** Встановіть газовий балон в захищеному місці позаду пристрою (Мал. 1). Нагрівач ніколи не повинен бути спрямований в бік газового балона (Мал. 2).

► **2.13.** Категорично забороняється повністю або частково перекривати отвір забору повітря (задня частина) та/або отвір для випуску повітря (передня частина) (Мал. 3). Уникати використання будь-яких повітропроводів від/до нагрівача. Переконайтесь в тому, що отвори для всмоктування повітря, розташовані у дні основи (для моделей, де вона передбачена), не закупорені.

► **2.14.** В разі невмикання або аномального вмикання нагрівача звернутися до відповідного розділу (Розд. "12. НЕСПРАВНОСТІ В РОБОТІ, ПРИЧИНИ ТА ШЛЯХИ ЇХ УСУНЕННЯ").

► **2.15.** Забороняється пересувати, піднімати, ремонтувати нагрівач та здійснювати будь-яке технічне обслуговування під час його роботи.

► **2.16.** За будь-яких умов експлуатації або під час зберігання пристрою слідкуйте за тим, аби гнучкий газовий шланг не був пошкоджений (сплющений, зігнутий, скручений, натягнутий і т.і.).

► **2.17.** Якщо відчувається запах газу, негайно вимкніть пристрій, закрийте клапан газового балона, від'єднайте штепсель від мережі живлення, а потім зв'яжіться зі службою технічної допомоги.

► **2.18.** У випадку заміни газового шлангу використовуйте тільки шланги гнучкого типу, які відповідають робочому тиску. Для консультації керуйтеся чинним законодавством країни використання. Довжина газового шлангу має становити 1,5м.

► **2.19.** Коли нагрівач не використовується, відключіть його від електромережі та/або вийміть перезаряджувальну батарею, перекрийте подачу газу, від'єднайте від генератора газовий шланг і закрийте отвір подачі газу на нагрівачі.

► **2.20.** Раз на рік та/або за потреби звертайтеся за технічною допомогою до уповноважених центрів технічного обслуговування для перевірки належного функціонування нагрівача.

► **2.21.** Щоб запобігти будь-якому ризику, перед під'єднанням штепселя блоку живлення та/або встановленням перезаряджувальної батареї перевірити, щоб нагрівач був вимкнений.

► **2.22.** Використовувати виключно перезаряджувальні батареї того типу та марки, що передбачені виробником нагрівача. Використання перезаряджувальних батарей непередбаченого типу та марки може спричинити поранення або загрозу для життя людей, травми, опіки, вибухи, враження електричним струмом або отруєння.

► **2.23.** Дотримуватися передбаченої безпечної відстані між від'єднаною перезаряджувальною батареєю та скобами, монетами, ключами, цвяхами, болтами та іншими невеликими металічними об'єктами, які можуть призвести до короткого замикання. Випадкове коротке замикання між контактами перезаряджувальної батареї може спричинити поранення або загрозу для життя людей, травми, опіки, вибухи і т.п.

► **2.24.** Невірне використання перезаряджувальної батареї може спричинити витікання рідини з батареї. Уникати контакту з рідиною. У разі випадкового контакту добре промити водою. негайно звернутися за лікарняною допомогою, якщо рідина потрапила у очі. Рідина, що витікає з батареї, може спричинити подразнення шкіри та опіки.

► **2.25.** Невірне використання перезаряджувальної батареї може спричинити виділення парів з батареї. Категорично забороняється вдихати ці пари. Провітрити приміщення, а в разі випадкового вдихання парів при наявності негативних симптомів звернутися за лікарняною допомогою. Пари можуть спричинити подразнення дихальних шляхів.

► **2.26.** Щоб попередити можливі ризики, забороняється намагатися відкрити/розібрати перезаряджувальну батарею.

► **2.27.** Щоб попередити можливі ризики, тримати батарею у захищеному від тепла місці (наприклад, постійного прямого сонячного проміння, вогню, води, вологи та ін.).

► **2.28.** Щоб уникнути можливих небезпечних перевантажень, використовувати перезаряджувальну батарею виключно з цим нагрівачем.

► **2.29.** Використовувати виключно перезаряджувальні батареї того типу та марки, що передбачені виробником нагрівача, для напруги, зазначеної на табличці з технічними даними нагрівача. У випадку використання інших перезаряджувальних батарей (наприклад, підроблених, відновлених, від виробників-конкурентів та ін.) існує ризик травм та/або вибуху.

► **2.30.** Заряджати перезаряджувальну батарею тільки за допомогою оригінального зарядного пристрою. Щоб уникнути ризику пожежі та вибуху, для кожної батареї слід використовувати лише для неї передбачений зарядний пристрій.

► **2.31.** Використовувати лише ті способи електричного живлення, які передбачені у цьому посібнику. Щоб перейти від одного способу живлення до іншого, виконати послідовність вимикання (Розд. "9. **ВИМИКАННЯ**"). Забороняється змінювати спосіб живлення нагрівача під час його роботи, інакше це може спричинити серйозні пошкодження.

►►► 3. ТИП ПАЛИВА

Використовувати лише газ категорії I₃B/P.

►►► 4. ОПИСАННЯ АРТИКУЛІВ

►► 4.1. БЛОК ЖИВЛЕННЯ (де мається):

БЛОК ЖИВЛЕННЯ НЕ ВИКОНУЄ ФУНКЦІЮ ЗАРЯДНОГО ПРИСТРОЮ.

(Мал. 4) Нагрівач може працювати від електричної мережі за допомогою спеціального пристрою, який називається блок живлення. Блок живлення розроблено, щоб отримувати на вході однофазний змінний струм від мережі і перетворювати його на виході на постійний струм, який необхідний для роботи нагрівача. Слід дотримуватися параметрів роботи блоку живлення (див. заводську табличку на блоці живлення). Блок живлення слід використовувати в сухих приміщеннях, захищених від пилу та бруду, виключно для живлення цього нагрівача. Слід регулярно перевіряти стан кабелю живлення нагрівача, його пошкодження може спричинити серйозні пошкодження. Дотримуватися рекомендацій та застережень щодо блока живлення, наведених у цьому посібнику.

►► 4.2. БАТЕРЕЯ (де мається):

(Мал. 5) Нагрівач може працювати в автономному режимі за допомогою оригінальної перезаряджувальної літій-іонної батареї, без необхідності підключення до електричної мережі. Батарея поставляється в частково зарядженому стані, тому рекомендується повністю зарядити її перед використанням. Для живлення нагрівача використовувати виключно оригінальні батареї. Дотримуватися рекомендацій та застережень щодо батареї, наведених у цьому посібнику.

►► 4.3. ЗАРЯДНИЙ ПРИСТРІЙ (де мається):

(Мал. 6) Зарядний пристрій розроблений та виготовлений для зарядки оригінальних перезаряджувальних батарей. Слід дотримуватися параметрів роботи зарядного пристрою (див. заводську табличку на зарядному пристрої). Зарядний пристрій слід використовувати в сухих приміщеннях, захищених від пилу та бруду, виключно для зарядки оригінальних перезаряджувальних батарей для живлення цього нагрівача. Зарядний пристрій розроблений для правильного автоматичного циклу зарядки, який розпочинається після підключення перезаряджувальної батареї (Мал. 7). Серія відповідних світлових індикаторів, розташованих на зарядному пристрої, дозволяє виконати детальну діагностику під час процедури пошуку батареї (Мал. 8). Дотримуватися рекомендацій та застережень щодо зарядного пристрою, наведених у цьому посібнику.

►►► 5. ПІДКЛЮЧЕННЯ ТА ЗАМІНА ГАЗОВОГО БАЛОНА

Заміна газового балона повинна проводитися на відкритому повітрі, на безпечній відстані від джерел тепла або відкритого полум'я.

Для приєднання газового балона до нагрівача слід використовувати лише таке обладнання:

- Гнучкий шланг для зрідженого газу.
- Регулятор тиску для зрідженого газу, обладнаний запобіжним клапаном.

ПЕРЕВІРТЕ ЦІЛІСНІСТЬ ГАЗОВОГО ШЛАНГУ. В РАЗІ НЕОБХІДНОСТІ ЙОГО ЗАМІНИ ВИКОРИСТОВУЙТЕ ТІЛЬКИ ШЛАНГ ГНУЧКОГО ТИПУ, ЯКИЙ ВІДПОВІДАЄ РОБОЧОМУ ТИСКУ. ДЛЯ КОНСУЛЬТАЦІЇ КЕРУЙТЕСЯ НАЦІОНАЛЬНИМИ НОРМАМИ КРАЇНИ ВИКОРИСТАННЯ.

►Для приєднання генератора до газового балона:

УВАГА: ВСІ З'ЄДНАННЯ МАЮТЬ ЛІВУ НАРІЗЬ, ЗАКРУЧУВАТИ СЛІД ПРОТИ ГОДИННИКОВОЇ СТІЛКИ.

►**5.1.**Прикрутіть газовий шланг до патрубку на нагрівачі (Мал. 9).

►**5.2.**Встановіть на газовий балон регулятор тиску. Переконайтесь в тому, що в регуляторі є ущільнююча прокладка (якщо тип кріплення її передбачає) (Мал. 10).

►**5.3.**Приєднайте газовий шланг до регулятора тиску (Мал. 11).

►**5.4.**Відкрийте вентиль газового балону (Мал. 12).

►**5.5.**Натисніть кнопку розблокування регулятора (Мал. 13). **Перевірити герметичність сполучень за допомогою мильної води: поява бульбашок вказує на можливий витік газу (Мал. 14).** Для більшої автономії можна з'єднати між собою декілька газових балонів. Належний робочий тиск (див. таблицку з технічними даними на нагрівачі) забезпечується регулятором, який входить до поставки, або аналогічною моделлю.

►►► 6. ЕЛЕКТРИЧНЕ ЖИВЛЕННЯ ВИКОРИСТОВУВАТИ ЛИШЕ ТІ СПОСОБИ ЕЛЕКТРИЧНОГО ЖИВЛЕННЯ, ЯКІ ОПИСАНІ НИЖЧЕ. ЩОБ ПЕРЕЙТИ ВІД ОДНОГО СПОСОБУ ЖИВЛЕННЯ ДО ІНШОГО, ВИКОНАТИ ПРОЦЕДУРУ ВИМИКАННЯ (Розд. "9. ВИМИКАННЯ"). ЗАБОРОНЯЄТЬСЯ ЗМІНЮВАТИ СПОСІБ ЖИВЛЕННЯ ПІД ЧАС РОБОТИ НАГРІВАЧА.

►► 6.1. ЖИВЛЕННЯ НАГРІВАЧА ВІД БЛОКА ЖИВЛЕННЯ (де мається):

ПІДКЛЮЧЕННЯ ДО ЕЛЕКТРОМЕРЕЖІ СЛІД ЗДІЙСНЮВАТИ У ВІДПОВІДНОСТІ ДО ЧИННОГО

НАЦІОНАЛЬНОГО ЗАКОНОДАВСТВА КРАЇНИ ВИКОРИСТАННЯ.

Перед підключенням нагрівача до електромережі слід перш за все переконатися у тому, що:

►**6.1.1.**Електромережа обладнана належним чином диференціальним вимикачем та заземленням.

►**6.1.2.**Напруга та частота мережі живлення відповідають параметрам нагрівача (див. таблицку з технічними даними на нагрівачі).

Підключити блок живлення до нагрівача (Мал. 15), потім підключити блок живлення до електричної мережі (Мал. 16).

►► 6.2. ЖИВЛЕННЯ НАГРІВАЧА ВІД ПЕРЕЗАРЯДЖУВАЛЬНОЇ БАТАРЕЇ (де мається):

ВИКОРИСТОВУВАТИ ВИКЛЮЧНО ОРИГІНАЛЬНІ ПЕРЕЗАРЯДЖУВАЛЬНІ БАТАРЕЇ ТОГО ТИПУ ТА МАРКИ, ЩО ПЕРЕДБАЧЕНІ ВИРОБНИКОМ НАГРІВАЧА, ДЛЯ НАПРУГИ, ЗАЗНАЧЕНОЇ НА ТАБЛИЧЦІ З ТЕХНІЧНИМИ ДАНИМИ НАГРІВАЧА. Вставити батарею у відсік для батареї, що знаходиться під основою нагрівача (Мал. 17).

Перезаряджувальна батарея (поставляється у комплекті/або додатково залежності від моделі) поставляється в частково зарядженому стані. Для гарантії повної потужності перезаряджувальної батареї перед першим використанням її слід повністю зарядити за допомогою оригінального зарядного пристрою (для кожної батареї слід використовувати лише для неї передбачений зарядний пристрій). Перезаряджувальна батарея устаткована контролем температури "NTC", що дозволяє проводити зарядку в межах від 0°C до 40°C. Таким чином забезпечується довгий термін служби перезаряджувальної батареї.

►► 6.3. ЖИВЛЕННЯ НАГРІВАЧА ВІД БЛОКА ЖИВЛЕННЯ ЗІ ВСТАВЛЕНОЮ БАТАРЕЄЮ (де мається):

Підключити блок живлення до нагрівача (Мал. 15), потім підключити блок живлення до електричної мережі (Мал. 16) (див. таблицку з технічними даними на нагрівачі). Нагрівач автоматично виключає перезаряджувальну батарею. **БЛОК ЖИВЛЕННЯ НЕ ВИКОНУЄ ФУНКЦІЮ ЗАРЯДНОГО ПРИСТРОЮ**, тому якщо нагрівач живиться від електричної мережі, зарядка перезаряджувальної батареї не відбувається.

►►► 7. ВИМИКАННЯ

►► 7.1. РЕЖИМ НАГРІВАННЯ:

►**7.1.1.**Переведіть перемикач "O/I" в положення "I" (Мал. 18).

►**7.1.2.**Зачекайте кілька секунд.

► **7.1.3.** Натисніть до упору і утримуйте в такому положенні кнопку подачі газу (Мал. 19).

► **7.1.4.** Задіяти та натискати кілька разів п'єзоелектричний вмикач (Мал. 20), утримуючи кнопку подачі газу в натиснутому положенні (Мал. 19).

► **7.1.5.** Після запалювання протягом приблизно 15 секунд утримуйте натиснутою кнопку подачі газу (Мал. 21).

► **7.1.6.** Відпустіть кнопку подачі газу (Мал. 22).

В разі перебою в подачі струму або відсутності газу пристрій автоматично вимкнеться. Нагрівач не вмикається знову автоматично, його слід увімкнути вручну, виконавши процедуру вмикання. Якщо пристрій не вмикається, зверніться до відповідного розділу (Розд. "12. *НЕСПРАВНОСТІ В РОБОТІ, ПРИЧИНИ ТА ШЛЯХИ ЇХ УСУНЕННЯ*").

►► **7.2. РЕЖИМ ВЕНТИЛЯЦІЇ:**

Нагрівач може використовуватися також як вентилятор. Підключіть нагрівач до електромережі та/або вставте перезаряджувальну батарею і увімкніть перемикач "O/I" в положення "I" (Мал. 18).

ПРИМ.: Перед перемиканням нагрівача, який працює в режимі обігрівання, в режим вентиляції, проведіть процедуру правильного вмикання (Розд. "9. *ВИМИКАННЯ*").

►►► **8. РЕГУЛЮВАННЯ ТЕПЛОВОЇ ПОТУЖНОСТІ**

Теплову потужність можна регулювати за допомогою спеціальної рукоятки, що знаходиться на основі нагрівача (Мал. 23).

►►► **9. ВИМИКАННЯ**

► **9.1.** Закрийте вентиль газового балона (Мал. 24).

► **9.2.** Щоб уникнути внутрішніх пошкоджень з причини перегрівання, залиште вентилятор працювати на протязі приблизно 60 секунд (внутрішнє охолодження нагрівача).

► **9.3.** Переведіть перемикач "O/I" в положення "O" (Мал. 25).

► **9.4.** Відключіть нагрівач від мережі (Мал. 26) та/або витягніть перезаряджувальну батарею або відключіть батарею (Мал. 27).

► **9.5.** Від'єднайте нагрівач від шлангу подачі газу (Мал. 28-29-30).

►►► **10. ЧИСТКА ТА ТЕХНІЧНЕ ОБСЛУГОВУВАННЯ**

Щонайменше раз на рік та/або за потреби звертайтеся до служби технічного обслуговування на предмет перевірки належної роботи нагрівача.

Перш, ніж покласти генератор на зберігання після використання, його необхідно почистити.

► **10.1.** Перед початком будь-яких профілактичних або ремонтних робіт необхідно виконати процедуру вимикання пристрою (Розд. "9. *ВИМИКАННЯ*").

► **10.2.** Операції з чищення стосуються лише отвору забору повітря (задня частина) нагрівача.

► **10.3.** Перед повторним використанням пристрою перевірте цілісність газового шлангу; в разі виникнення сумнівів щодо цілісності зверніться до технічного спеціаліста.

► **10.4.** Не здійснюйте недозволені операції.

►►► **11. КОНСЕРВАЦІЯ ТА ТРАНСПОРТУВАННЯ БАТАРЕЇ**

ЗАБОРОНЯЄТЬСЯ ДОВГІЙ ЧАС ЗБЕРІГАТИ БАТАРЕЮ У ПРИМІЩЕННЯХ З НИЗЬКОЮ ТЕМПЕРАТУРОЮ.

Перезаряджувальні літій-іонні батареї згідно чинного законодавства відносяться до небезпечних матеріалів. Автомобільне транспортування перезаряджувальних батарей не передбачає особливих запобіжних заходів. У випадку поставки батарей третіми особами (наприклад, авіатранспортом та/або кур'єрською службою), слід дотримуватися запобіжних заходів, передбачених нормами чинного законодавства. Дозволяється відправляти перезаряджувальні батареї тільки в тому випадку, якщо їх корпус не пошкоджений. За допомогою липкої стрічки слід покрити відкриті контакти, добре впакувати перезаряджувальну батарею, щоб вона не рухалася всередині упаковки. Прохання дотримуватися також інших норм та положень чинного законодавства країни використання.

►►► 12. НЕСПРАВНОСТІ В РОБОТІ, ПРИЧИНИ ТА ШЛЯХИ ЇХ УСУНЕННЯ

НЕСПРАВНОСТІ В РОБОТІ	ПРИЧИНИ	ШЛЯХИ ЇХ УСУНЕННЯ
Двигун не запускається	Немає напруги (якщо живлення від мережі)	1.Перевірте електромережу 2.Потрібна технічна допомога
	Розряджена батарея (якщо живлення від батареї)	1.Зарядити батарею 2.Потрібна технічна допомога
	Неполадки в мережі живлення або несправна батарея	Потрібна технічна допомога
	Несправний двигун	Потрібна технічна допомога
Немає запалювання	Порожній газовий балон	Замініть газовий балон (Розд. 5)
	Запобіжний клапан редуктора заблокований	1.Натисніть кнопку розблокування регулятора газу (Мал. 13) 2.Потрібна технічна допомога
	Закритий вентиль газового балона	Відкрийте вентиль газового балона (Мал. 12)
	Несправний запалювальний контур	Потрібна технічна допомога
Полум'я пропадає під час запалювання	Кнопка подачі газу натиснута недостатньо довго	Довше тримайте натиснутою кнопку подачі газу (Розд. 7.1.5.)
	Несправний нагрівач	Потрібна технічна допомога
Полум'я гасне під час роботи	Недостатня подача газу	1.Замініть газовий балон (Розд. 5) 2.Потрібна технічна допомога
	Перегрівання нагрівача	1.Почистіть отвір забору повітря (здня частина) 2.Потрібна технічна допомога
	Несправний нагрівач	Потрібна технічна допомога

SADRŽAJ PARAGRAFA

1...	OPIS
2...	UPOZORENJA
3...	TIP GORIVA
4...	OPIS PROIZVODA
5...	POVEZIVANJE I ZAMJENA PLINSKE FLAŠE
6...	NAPAJANJE STRUJOM
7...	UKLJUČIVANJE
8...	PODEŠAVANJE TOPLINSKE SNAGE
9...	ISKLJUČIVANJE
10...	ČIŠĆENJE I ODRŽAVANJE
11...	ČUVANJE I TRANSPORT BATERIJE
12...	PROBLEMI U RADU, UZROCI I RJEŠENJA

VAŽNO: VAŽNO JE PROČITATI I RAZUMJETI OVAJ PRIRUČNIK PRIJE NEGO ŠTO POČNETE SA SATAVLJANJEM, PUŠTANJEM U RADILI ODRŽAVANJEM OVOG GENERATORA . POGREŠNO KORIŠTENJE GENERATORA MOŽE DOVESTI DO OZBILJNIH OZLJEDA. ČUVAJTE OVAJ PRIRUČNIK DA BISTE GA U BUDUĆNOSTI MOGLI KONSULTIRATI.

▶▶▶ 1. OPIS

Ovo je prijenosni grijač zraka koji radi na tekući plin, odlikuje ga potpuno iskorištavanje goriva uz pomoć razmjene topline da bi se izravno miješali usisavani zrak i proizvodi sagorijevanja. Opremljen je praktičnom ručicom koja olakšava transport i premještanje. Ovaj se grijač može napajati specifičnim napajačem ili sustavom punjivih baterija. Realiziran je u skladu s propisom EN 1596.

▶▶▶ 2. UPOZORENJA

bs ▶ **VAŽNO:** Ne koristite ga za grijanje useljivih stambenih zgrada; za upotrebu u javnim zgradama, pogledajte nacionalne propise.

▶ **VAŽNO:** Ovaj aparat nije namijenjen korištenju od strane osoba (uključujući i djecu) koje imaju smanjene fizičke, senzorne i mentalne sposobnosti osim u slučaju da ih nadgleda osoba odgovorna za njihovu sigurnost. Morate kontrolirati djecu da se ne bi igrala sa grijačem. Držite životinje na sigurnosnoj udaljenosti od grijača.

▶ **VAŽNO:** Nepravilna upotreba ovog grijača može dovesti do oštećenja ili smrtne opasnost po osobe, ozljeda, opekotina, eksplozija, strujnog udara ili trovanja. Prvi simptomi gušenja ugljičnim monoksidom slične na one gripe, sa glavoboljom, vrtoglavicom i/ili mučninom. Takve simptome može uzrokovati nepravilan rad grijača. U SLUČAJU POJAVE OVIH SIMPTOMA, ODMAH IZADITE NA OTVORENI PROSTOR i popravite grijač u servisnoj službi.

▶ **VAŽNO:** Sve operacije čišćenja, održavanja i popravljavanja koje predviđaju pristup opasnim dijelovima mora obaviti proizvođač, njegova servisna služba, osoba sa sličnom kvalifikacijom na način da se spriječi bilo koji rizik bez obzira na činjenicu da se predviđa i iskapčanja sa mreže za napajanje.

▶ **2.1.** Za ispravno korištenje grijača i za očuvanje goriva, ponašajte se u skladu sa svim lokalnim zakonima i propisima koji su na snazi.

▶ **2.2.** Grijač da bi mogao ispravno raditi ima potrebu za adekvatnom izmjenom zraka. Zato

se on mora koristiti na otvorenom prostoru ili u prostorijama u kojima je izmjena zraka osigurana i neprekidna. Dobra je ventilacija osigurana kada se obim sobe obračunava u odnosu na toplinsku snagu, sa formulom 1m^3 svako 100W snage. U svakom slučaju preporučeni obim sobe ne smije biti manji od 100m^3 . Dobru će ventilaciju garantirati otvor koji zadovoljava formulu od 25cm^2 za kW toplinske snage, sa minimumom koji je 250cm^2 te je jednako podijeljen između gornjeg i donjeg dijela sobe. Prilikom instalacije, važe nacionalni propisi na snazi uključujući i tehničke propise i odredbe u području sprečavanja nesreća i požara.

► **2.3.**Grijač se mora koristiti samo za grijanje zraka (način rada grijanje) ili za pokretanje zraka (način rada ventilacija). U vezi sa upotrebom, strogo se pridržavajte ovih uputstava.

► **2.4.**Proizvođač otklanja sa sebe svu odgovornost za štetu nanесenu na predmetima i/ili osobama a koje su posljedica nepravilnog korištenja grijača.

► **2.5.**Napajajte grijač isključivo vrstom goriva jasno navedenoj na natpisnoj pločici postavljenoj na grijaču.

► **2.6.**Uvjerite se da ste povezali grijač samo na električnu mrežu opremljenu diferencijalnim prekidačem i adekvatnim uzemljenjem.

► **2.7.**Koristite isključivo produžetke adekvatne debljine koje imaju žicu za uzemljenje.

► **2.8.**Grijač mora raditi na ravnoj površini, stabilnoj i otpornoj na vatru, kako bi se izbjegla opasnost od požara.

► **2.9.**Strogo se zabranjuje rad grijača u podrumima ili ispod razine tla.

► **2.10.**Grijač se ne smije koristiti u prostorijama u kojima se nalaze eksplozivna prašina, dim, plinovi, goriva, otapala, boje.

► **2.11.**Ako je grijač bude koristio u blizini cerada, šatora ili sličnih materijala za pokrivanje, preporučuje se koristiti dodatnu vatrootpornu zaštitu. Pazite da ćete održavati odgovarajuću udaljenost koja ni u kojem slučaju neće biti manja od $2,5\text{m}$ u odnosu na zapaljive materijale (platno, papir, drvo, itd..) ili one toplotno-labilne (uključujući i kabel napajanja, ako je prisutan) i vruće dijelove grijača.

► **2.12.**Postavite plinsku bocu u zaštićeni položaj, iza aparata (Sl. 1). Grijač se nikada ne smije usmjeriti prema plinskoj boci (Sl. 2).

► **2.13.**Ni iz kog razloga se ne smije potpuno ili djelomično začepiti otvor za zrak (pozadi) i/ili otvor za izlaz zraka (sprijeda) (Sl. 3). Izbjegavajte korištenje bilo kakvih kanala za zrak od/do grijača. Pobrinite se da se ne blokiraju otvori za dovod zraka na dnu postolja (za modele koji usvajaju ovo rješenje).

► **2.14.**U slučaju neuključivanja ili neispravnog uključivanja grijača, konzultirajte odgovarajući odjeljak (Pogl. "12. PROBLEMI U RADU, UZROCI I RJEŠENJA").

► **2.15.**Grijač se tokom rada ne smije nikada premještati, niti se njime smije rukovati i obavljati održavanje.

► **2.16.**U bilo kojem stanju upotrebe ili mirovanja grijača, pazite da se fleksibilno plinsko crijevo ne ošteti (nagnječi, savije, uvrne, zategne.).

► **2.17.**Ako osjetite miris plina, odmah isključite plinsku bocu, iskopčajte utikač napajanja iz mreže i/ili izvadite punjivu bateriju i odmah nakon toga kontaktirajte servisnu službu.

► **2.18.**U slučaju zamjene crijeva za plin, koristite samo cijevi fleksibilnog tipa adekvatnog radnom pritisku i pazite na nacionalne propise. Plinska cijev mora imati dužinu od $1,5\text{m}$.

► **2.19.**Kada se grijač ne bude koristio, iskopčajte utikač napajanja sa mreže i/ili izvadite punjivu bateriju, zatvorite napajanje plinom, iskopčajte crijevo za plin sa grijača i začepite otvor za plin na grijaču.

► **2.20.**Barem jedan put na godinu i/ili po potrebi, neka tehnički servis provjeri ispravan rad grijača.

► **2.21.**Uvjerite se da je grijač isključen prije nego što ukopčate utikač napajanja i/ili umetnete punjivu bateriju, na način da se spriječi bilo koji rizik.

► **2.22.**Koristite isključivo originalne punjive baterije koje su izričito predviđene. Upotreba nepredviđenih punjivih baterija može dovesti do oštećenja ili smrtne opasnost po osobe, ozljeda, opekotina, eksplozija, strujnog udara ili trovanja.

► **2.23.**Održavajte adekvatnu udaljenost između isključene punjive baterije i spajalica, kovanica, ključeva, čavli, vijaka ili drugih malih metalnih predmeta koji bi mogli dovesti do kratkog spoja. A eventualni kratak spoj između kontakata punjive baterije može dovesti do oštećenja ili smrtne opasnost po osobe, ozljeda, opekotina, eksplozija, itd..

► **2.24.** Pogrešno korištenje punjive baterije može dovesti do ispuštanja tekućine iz baterije. Apsolutno izbjegavajte kontakt. U slučaju da dođe do slučajnog kontakta, odmah isperite vodom. Potražite odmah medicinsku pomoć ako tekućina dođe u kontakt s očima. Tekućina izbačena iz punjive baterije može uzrokovati iritacije kože ili opekotine.

► **2.25.** Pogrešno korištenje punjive baterije može dovesti do ispuštanja pare iz baterije. Apsolutno izbjegavajte udisanje ove pare. Pustite da uđe svjež zrak u slučaju slučajnog udisanja a posjetite doktora u slučaju problema. Pare mogu izazvati iritaciju respiratornog trakta.

► **2.26.** U cilju sprečavanja ozbiljnog rizika ne pokušavajte otvoriti/rastaviti punjivu bateriju.

► **2.27.** U cilju sprečavanja ozbiljnog rizika, zaštitite punjivu bateriju od topline (na primjer od besprekidnog izlaganja sunčevim zrakama, od vatre, vode, vlage itd.).

► **2.28.** Koristite specifičnu punjivu bateriju isključivo s ovim grijačem na način da ne dođe do opasnog preopterećenja.

► **2.29.** Koristite isključivo originalne punjive baterije pod naponom navedenim na pločici s tehničkim podacima grijača. U slučaju korištenja drugih punjivih baterija (na primjer imitacijskih, regenerisanih, konkurencijskih, itd.) postoji opasnost od ozljeda i/ili eksplozije.

► **2.30.** Napunite punjivu bateriju samo i isključivo s originalnim punjačem baterija. Svaka baterija mora imati specifični punjač baterija da bi se spriječio rizik od požara i eksplozije.

► **2.31.** Koristite samo načine električnog napajanja koje predviđa ovaj priručnik. Da biste prešli s jednog načina rada na drugi, obavite slijed isključivanja (Pogl. "9. ISKLJUČIVANJE"). Zabranjuje se mijenjati način napajanja grijača tokom rada na način da se izbjegnu teška oštećenja.

► ► ► 3. TIP GORIVA

Koristite isključivo plin kategorije I₃B/P.

► ► ► 4. OPIS PROIZVODA

► ► 4.1. NAPAJAČ (tamo gdje postoji):

NAPAJAČ NEMA FUNKCIJU PUNJAČA BATERIJA.

(Sl. 4) Grijač može raditi ako se spoji na električnu mrežu uz pomoć uređaja pod nazivom napajač. Napajač je dizajniran da bi primio na ulazu jednofaznu naizmjeničnu struju napajanu iz mreže i da bi je pretvorio na izlazu u istosmjernu struju prikladnu za rad grijača. Morate poštovati parametre rada napajača (vidi natpisnu pločicu postavljenu na napajaču). Koristite napajač na suhim mjestima zaštićenim od prašine da biste napajali isključivo ovaj grijač. Povremeno provjerite stanje u kojem se nalazi kabel napajača da biste spriječili ozbiljna oštećenja. Pridržavajte se svih upozorenja koja se odnose na napajač a navode se u ovom priručniku.

► ► 4.2. BATERIJA (tamo gdje postoji):

(Sl. 5) Grijač može samostalno raditi sa originalnom punjivom baterijom Li-ion bez potrebe da se spoji na električnu mrežu. Punjiva baterija se prilaže djelomično napunjenom pa se zato savjetuje da se obavi kompletan ciklus punjenja prije nego što počnete koristiti bateriju. Koristite samo originalne baterije za napajanje grijača. Poštujte sva upozorenja navedena u ovom priručniku koja se odnose na bateriju.

► ► 4.3. PUNJAČ BATERIJA (tamo gdje postoji):

(Sl. 6) Punjač baterija je dizajniran za punjenje originalnih punjivih baterija. Morate poštovati parametre rada punjača baterija (vidi natpisnu pločicu postavljenu na punjaču baterija) Koristite punjač baterija na suhim mjestima zaštićenim od prašine, da biste punili isključivo originalne punjive baterije koje se mogu koristiti za napajanje ovog grijača. Punjač baterija je dizajniran da automatski obavi ciklus punjenja kada se priključi na njega punjiva baterija (Sl. 7). Niz svjetala postavljenih na punjač baterije omogućuje detaljnu dijagnozu tokom faze istraživanja baterije (Sl. 8). Poštujte sva upozorenja navedena u ovom priručniku koja se odnose na punjač baterija.

▶▶▶ 5. POVEZIVANJE I ZAMJENA PLINSKE BOCE

Plinska se boca mora zamijeniti na otvorenom prostoru, daleko od izvora topline u atmosferi bez plamena.

Za spajanje plinske boce na grijač, morate koristiti samo sljedeću opremu:

- Fleksibilno crijevo za tekući plin.
- Regulator pritiska za tekući plin u kompletu sa sigurnosnim ventilom.

PROVJERITE CJELOVITOST PLINSKOG CRIJEVA ZA NAPAJSANJE. U SLUČAJU DA SE MORA ZAMIJENITI, KORISTITE SAMO CRIJEVA FLEKSIBILNOG TIP, PRIKLADNA U ODNOSU NA KORIŠTENI PRITISAK I PRIDRŽAVAJTE SE PRI TOME NACIONALNIH PROPISA.

▶ Da biste povezali grijač i plinsku bocu:

PAŽNJA: SVI SU NAVOJI LJEVORUČNI, ZNAČI STEŽU SE ULIJEVO.

▶ **5.1.** Stegnite plinsko crijevo na spojnicu grijača (Sl. 9).

▶ **5.2.** Instalirajte regulator pritiska na plinsku bocu. Uvjerite se da na regulatoru postoji zaptivač (ako to predviđa vrsta spojnice) (Sl. 10).

▶ **5.3.** Spojite plinsko crijevo na regulator pritiska (Sl. 11).

▶ **5.4.** Otvorite slavinu plinske boce (Sl. 12).

▶ **5.5.** Pritisnite tipku za deblokadu regulatora (Sl. 13). **Provjerite sapunicom da na spojnica ne dolazi do curenja: ako primijetite mjehuriće to će značiti da dolazi do ispuštanja plina (Sl. 14).** Možete spojiti međusobno više plinskih boca da biste postigli veću autonomiju. Ispravan radni pritisak (vidi pločicu s podacima postavljenu na grijaču) određuje priloženi regulator ili ekvivalentni model istog.

▶▶▶ **6. NAPAJSANJE STRUJOM**
KORISTITE ISKLJUČIVO NAČINE NAPAJSANJA NAVEDENE U NASTAVKU. DA BISTE PREŠLIS JEDNOG NAČINARADANA DRUGI, OBAVITE SLIJED ISKLJUČIVANJA (Pogl. "9. ISKLJUČIVANJE"). ZABRANJUJE SE PROMJENA NAČINA NAPAJSANJA KADA GRIJAČ RADI.

▶▶ 6.1. GRIJAČ NAPAJSAN OD STRANE NAPAJSANJA (tamo gdje postoji):

PRIKLJUČIVANJE NA ELEKTRIČNU MREŽU SE MORA OBAVITI U SKLADU S VAŽEĆIM DRŽAVNIM PROPISIMA.

Prije nego što priključite grijač na električnu mrežu, uvjerite se da:

▶ **6.1.1.** Je električna mreža opremljena diferencijalnim prekidačem i adekvatnim uzemljenjem.

▶ **6.1.2.** Su napon i frekvencija ispravni (vidi pločicu s podacima postavljenu na napajaju). Priključite napajaju na grijač (Sl. 15), i naknadno priključite napajaju na električnu mrežu (Sl. 16).

▶▶ 6.2. GRIJAČ NAPAJSAN PUNJIVOM BATERIJOM (tamo gdje postoji):

KORISTITE ISKLJUČIVO ORIGINALNE PUNJIVE BATERIJE POD NAPONOM NAVEDENIM NA PLOČICI S TEHNIČKIM PODACIMA GRIJAČA.

Umetnite punjivu bateriju u odjeljak za baterije ispod baze grijača (Sl. 17).

Punjiva baterija (priložena u pakiranju i/ili opcionalna zavisno od modela) se prilaže djelomično napunjena. Da bi se osigurala puna snaga punjive baterije, prije prve upotrebe u potpunosti napunite punjivu bateriju u originalnom punjaču baterija (svaka baterija ima potrebu za specifičnim punjačem baterija). Punjiva baterija je opremljena kontrolom temperature "NTC" koja omogućuje punjenje isključivo u rasponu temperature od 0°C do 40°C. Na taj se način postiže dugotrajnost punjive baterije.

▶▶ 6.3. GRIJAČ NAPAJSAN NAPAJSANOM SA UMETNUTOM BATERIJOM (tamo gdje postoji):

Priključite napajaju na grijač (Sl. 15), i naknadno priključite napajaju na električnu mrežu (Sl. 16) (vidi pločicu s podacima postavljenu na grijač). Grijač automatski isključuje punjivu bateriju. NAPAJSAN NEMA FUNKCIJU PUNJAČA BATERIJA, znači kada se grijač napaja preko električne mreže, povezana punjiva baterija se neće puniti.

▶▶▶ 7. UKLJUČIVANJE

▶▶ 7.1. NAČIN RADA GRIJANJE:

▶ 7.1.1. Postavite prekidač "O/I" u poziciju "I" (Sl. 18).

▶ 7.1.2. Pričekajte nekoliko sekundi.

▶ 7.1.3. Pritisnite do kraja tipku za plin i držite je pritisnutom (Sl. 19).

▶ 7.1.4. Pritisnite do kraja i više puta piezoelektrični upaljač (Sl. 20), i držite pritisnutom tipku za plin (Sl. 19).

▶ 7.1.5. Nakon što se upali plamen, držite pritisnutom tipku za plin u trajanju od oko 15 s (Sl. 21).

▶ 7.1.6. Otpustite tipku za plin (Sl. 22).

U slučaju nestanka struje ili manjka plina, grijač će se isključiti. Ponovno uključanje grijača nije automatsko nego se mora ručno obaviti ponavljanjem postupka uključivanja. Ako se grijač ponovo ne uključi, konzultirajte odgovarajući odjeljak (Pogl. "12. PROBLEMI U RADU, UZROCI I RJEŠENJA").

▶▶ 7.2. NAČIN RADA VENTILACIJA:

Grijač se može koristiti i kao ventilator. Ukopčajte grijač u električnu utičnicu i/ili umetnite punjivu bateriju te stavite prekidač "O/I" u poziciju "I" (Sl. 18).

NAPOMENA: Kada grijač radi u načinu rada grijanje, prije nego što prijeđete u način rada ventilacija, pravilno obavite postupak isključivanja (Pogl. "9. ISKLJUČIVANJE").

▶▶▶ 8. PODEŠAVANJE TOPLINSKE SNAGE

Podešavanje toplinske snage se može obaviti na način da pomaknete ručicu na bazi grijača (Sl. 23).

▶▶▶ 9. ISKLJUČIVANJE

▶ 9.1. Zatvorite plinsku bocu (Sl. 24).

▶ 9.2. Ostavite ventilator da radi za oko 60 s kako ne bi došlo do unutrašnjih oštećenja zbog prezagrijavanja (unutrašnje hlađenje grijača).

▶ 9.3. Postavite prekidač "O/I" u poziciju "O" (Sl. 25).

▶ 9.4. Iskopčajte grijač s mreže (Sl. 26) i/ili izvadite punjivu bateriju iz električne mreže ili iskopčajte bateriju (Sl. 27).

▶ 9.5. Iskopčajte grijač sa crijeva za napajanje plinom (Sl. 28-29-30).

▶▶▶ 10. ČIŠĆENJE I ODRŽAVANJE

Barem jedan put na godinu i/ili po potrebi, neka tehnički servis provjeri ispravan rad grijača. Prije nego što ga odložite poslije upotrebe, grijač ćete morati očistiti.

▶ 10.1. Prije nego što počnete sa obavljanjem bilo koje vrste održavanja, brige i popravljivanja grijača, obavite slijed isključivanja (Pogl. "9. ISKLJUČIVANJE").

▶ 10.2. Čišćenje se tiče samo otvora za zrak (pozadi) grijača.

▶ 10.3. Kada se grijač bude ponovno koristio, kontrolirajte cjelovitost crijeva za plin; ako sumnjate u njegovu cjelovitost, zatražite intervenciju servisne službe.

▶ 10.4. Ne obavljajte neovlaštene intervencije.

▶▶▶ 11. ČUVANJE I TRANSPORT BATERIJE

NE ČUVAJTE I NE SKLADIŠTITE BATERIJU NAMJESTIMA U KOJIMA JE TEMPERATURA NISKA DUŽE VRIJEME.

Punjive Li-ion baterije podložne zahtjevima zakona koji se odnose na opasne materije. Korisnik može prevoziti punjive baterije bez dodatnih mjera opreza. U slučaju slanja preko treće strane (na primjer, vazdušni saobraćaj i/ili špediter) moraju se poštovati posebne zahtjeve u skladu sa važećim propisima. Pošaljite punjive baterije samo ako kućište nije oštećeno. Pokrijte ljepljivom trakom otvorene kontakte a postavite punjive baterije na takav način da se ne kreću u pakovanju. Molimo vas da se pridržavate i eventualnih dodatnih nacionalnih propisa.

►►► 12. PROBLEMI U RADU, UZROCI I RJEŠENJA

PROBLEMI U RADU	UZROCI	RJEŠENJA
Motor se ne pokreće	Nema napona (ako se napaja s mreže)	1.Provjerite mrežni uređaj 2.Tehnički servis
	Baterija je prazna (ako se napaja preko baterije)	1.Napunite bateriju 2.Tehnički servis
	Napajanje ili baterija su neispravni	Tehnički servis
	Motor je u kvaru	Tehnički servis
Plamen se ne pali	Plinska boca je potrošena	Zamijenite plinsku bocu (Pogl. 5)
	Sigurnosni ventil regulatora u stanju blokade	1.Prisnite tipku za deblokadu plina regulatora (Sl. 13) 2.Tehnički servis
	Slavina plinske boce je zatvorena	Otvorite slavinu plinske boce (Sl. 12)
	Krug za uključivanje je neispravan	Tehnički servis
Plamen se gasi	Tipka za plin pritisnuta prekratko	Duže pritisnite tipku za plin (Pogl. 7.1.5.)
	Grijač je neispravan	Tehnički servis
Plamen se isključuje tokom rada	Nedovoljno napajanje plinom	1.Zamijenite plinsku bocu (Pogl. 5) 2.Tehnički servis
	Prezagrijavanje grijača	1.Očistite otvor za zrak (pozadi) 2.Tehnički servis
	Grijač je neispravan	Tehnički servis

ΠΕΡΙΛΗΨΗ ΠΑΡΑΓΡΑΦΩΝ


1...	ΠΕΡΙΓΡΑΦΗ
2...	ΠΡΟΕΙΔΟΠΟΙΗΣΕΙΣ
3...	ΤΥΠΟΣ ΚΑΥΣΙΜΟΥ
4...	ΠΕΡΙΓΡΑΦΗ ΤΩΝ ΑΡΘΡΩΝ
5...	ΣΥΝΔΕΣΗ ΚΑΙ ΑΝΤΙΚΑΤΑΣΤΑΣΗ ΤΗΣ ΦΙΑΛΗΣ ΑΕΡΙΟΥ
6...	ΗΛΕΚΤΡΙΚΗ ΤΡΟΦΟΔΟΣΙΑ
7...	ΑΝΑΦΛΕΞΗ
8...	ΘΕΡΜΙΚΗ ΡΥΘΜΙΣΗ ΙΣΧΥΟΣ
9...	ΑΠΕΝΕΡΓΟΠΟΙΗΣΗ
10...	ΚΑΘΑΡΙΣΜΟΣ ΚΑΙ ΣΥΝΤΗΡΗΣΗ
11...	ΔΙΑΤΗΡΗΣΗ ΚΑΙ ΜΕΤΑΦΟΡΑ ΤΗΣ ΜΠΑΤΑΡΙΑΣ
12...	ΛΕΙΤΟΥΡΓΙΚΑ ΠΡΟΒΛΗΜΑΤΑ, ΑΙΤΙΑ ΚΑΙ ΛΥΣΕΙΣ


ΣΗΜΑΝΤΙΚΟ: ΔΙΑΒΑΣΤΕ ΚΑΙ ΚΑΤΑΝΟΗΣΤΕ ΑΥΤΟ ΤΟ ΛΕΙΤΟΥΡΓΙΚΟ ΕΓΧΕΙΡΙΔΙΟ ΠΡΙΝ ΝΑ ΠΡΟΧΩΡΗΣΕΤΕ ΣΤΗ ΣΥΝΑΡΜΟΛΟΓΗΣΗ, ΤΗ ΛΕΙΤΟΥΡΓΙΑ Ή ΤΗ ΣΥΝΤΗΡΗΣΗ ΤΗΣ ΓΕΝΝΗΤΡΙΑΣ ΑΥΤΗΣ. Η ΕΣΦΑΛΜΕΝΗ ΧΡΗΣΗ ΤΗΣ ΓΕΝΝΗΤΡΙΑΣ ΜΠΟΡΕΙ ΝΑ ΠΡΟΚΑΛΕΣΕΙ ΣΟΒΑΡΟΥΣ ΤΡΑΥΜΑΤΙΣΜΟΥΣ. ΦΥΛΑΞΤΕ ΤΟ ΕΓΧΕΙΡΙΔΙΟ ΑΥΤΟ ΣΕ ΠΕΡΙΠΤΩΣΗ ΜΕΛΛΟΝΤΙΚΗΣ ΑΝΑΦΟΡΑΣ.

►►► 1. ΠΕΡΙΓΡΑΦΗ


Αυτός είναι ένας φορητός θερμαντήρας αέρα που λειτουργεί με υγρό αέριο, και που χαρακτηρίζεται από τη συνολική εκμετάλλευση του καυσίμου, μέσω της ανταλλαγής θερμότητας με άμεση ανάμειξη μεταξύ του αέρα εισαγωγής και των προϊόντων καύσης. Διαθέτει μια βολική λαβή για εύκολη μεταφορά και το χειρισμό. Αυτός ο θερμαντήρας μπορεί να τροφοδοτείται μέσω ειδικού τροφοδοτικού, ή από ένα σύστημα επαναφορτιζόμενης μπαταρίας. Είναι κατασκευασμένος σύμφωνα με το πρότυπο EN 1596.


►►► 2. ΠΡΟΕΙΔΟΠΟΙΗΣΕΙΣ

►  **ΣΗΜΑΝΤΙΚΟ:** Μην το χρησιμοποιείτε για τη θέρμανση των κατοικημένων περιοχών σε οικιστικά κτίρια, για χρήση σε δημόσια κτίρια, ανατρέξτε σε εθνικούς κανονισμούς.

►  **IMPORTANTE:** Αυτός ο θερμαντήρας δεν είναι κατάλληλος για χρήση από άτομα (συμπεριλαμβανομένων των παιδιών) με μειωμένες σωματικές, αισθητηριακές ή διανοητικές ικανότητες, ή άπειρα, εκτός αν επιβλέπονται από ένα πρόσωπο υπεύθυνο για την ασφάλειά τους. Τα παιδιά πρέπει να επιτηρούνται για να εξασφαλιστεί ότι δεν

παίζουν με το εργαλείο. Κρατήστε τα ζώα σε απόσταση ασφαλείας από το θερμαντήρα.

►  **IMPORTANTE:** Η ακατάλληλη χρήση αυτού του θερμαντήρα μπορεί να προκαλέσει βλάβη ή κίνδυνο θανάτου σε άτομα, τραυματισμούς, εγκαύματα, εκρήξεις, ηλεκτροπληξία ή δηλητηρίαση. Τα πρώτα συμπτώματα της ασφυξίας από το μονοξείδιο του άνθρακα μοιάζουν με αυτά της γρίπης, με πονοκεφάλους, ζάλη ή / και ναυτία. Τέτοιου είδους συμπτώματα μπορεί να προκληθούν από τη δυσλειτουργία του θερμαντήρα. Σε περίπτωση που κάποιος **ΕΜΦΑΝΙΣΕΙ ΑΥΤΑ ΤΑ ΣΥΠΤΩΜΑΤΑ, ΒΓΕΙΤΕ ΑΜΕΣΩΣ ΣΕ ΑΝΟΙΚΤΟ ΧΩΡΟ** και επισκευάστε το θερμαντήρα ζητώντας την βοήθεια τεχνικού προσωπικού.

►  **ΣΗΜΑΝΤΙΚΟ:** Όλες οι διαδικασίες καθαρισμού, συντήρησης και επισκευής που παρέχουν πρόσβαση σε επικίνδυνα μέρη πρέπει να πραγματοποιούνται από τον κατασκευαστή, την υπηρεσία της τεχνικής βοήθειας, εν τέλει από εξειδικευμένο άτομο, ώστε να αποτραπεί κάθε κίνδυνος, ακόμη και αν υπάρχει μια αποσύνδεση από την παροχή ηλεκτρικού ρεύματος.

► 2.1. Για τη σωστή χρήση του θερμαντήρα και για τη διατήρηση των καυσίμων, συμμορφωθείτε με

όλες τις διατάξεις και τους τοπικούς κανονισμούς σε ισχύ.

► **2.2.** Ο θερμαντήρας απαιτείται για τη λειτουργία του επαρκή ανταλλαγή αέρα. Ως εκ τούτου, θα πρέπει να χρησιμοποιείται σε εξωτερικούς χώρους ή σε χώρους με εξασφαλισμένη εναλλαγή του αέρα. Ένας καλός αερισμός εξασφαλίζεται όταν ο όγκος του χώρου υπολογίζεται στη θερμική ενέργεια, με τον τύπο του 1m^3 κάθε 100W της ισχύος. Σε κάθε περίπτωση, ο συνιστώμενος όγκος του δωματίου πρέπει να είναι μικρότερος από 100m^3 . Ένας καλός εξαερισμός εγγυάται από ένα άνοιγμα που ικανοποιεί τον τύπο των 25cm^2 ανά kW της θερμικής ισχύος με ένα ελάχιστο 250cm^2 , ισόποσα χωρισμένο ανάμεσα στο πάνω και κάτω μέρος του δωματίου. Για την εγκατάσταση, ισχύουν οι εθνικοί κανονισμοί σε ισχύ, συμπεριλαμβανομένων των τεχνικών προτύπων και των διατάξεων σχετικά με την ασφάλεια και την πρόληψη δασικών πυρκαγιών.

► **2.3.** Το θερμαντικό πρέπει να χρησιμοποιείται μόνο για τη θέρμανση του αέρα (λειτουργία θέρμανσης), ή για την μετακίνηση του αέρα (λειτουργία αερισμού). Για χρήση ακολουθήστε προσεκτικά αυτές τις οδηγίες.

► **2.4.** Ο κατασκευαστής δεν φέρει καμία ευθύνη για ζημία ή / και της ζημίας που μπορεί να προκληθούν από την ακατάλληλη χρήση του θερμαντικού.

► **2.5.** Τροφοδοτήστε το θερμαντήρα μόνο με τον τύπο του καυσίμου που ορίζεται ρητά στην ετικέτα του θερμαντήρα.

► **2.6.** Φροντίστε να συνδέσετε το θερμαντήρα σε ένα ηλεκτρικό δίκτυο κατάλληλα εξοπλισμένα με διαφορικό διακόπτη κατάλληλα γειωμένο.

► **2.7.** Χρησιμοποιείτε μόνο καλώδια επέκτασης κατάλληλης διατομής, με καλώδιο γείωσης.

► **2.8.** Ο θερμαντήρας θα πρέπει να λειτουργεί σε μια επίπεδη επιφάνεια, σταθερή και άκαυστη, έτσι ώστε να αποφευχθεί κάθε κίνδυνος πυρκαγιάς.

► **2.9.** Απαγορεύεται αυστηρά η χρήση του θερμαντικού σε υπόγεια δωμάτια ή κάτω από την επιφάνεια.

► **2.10.** Ο θερμαντήρας δεν πρέπει να χρησιμοποιείται σε χώρους όπου υπάρχουν εκρηκτικές σκόνες, αναθυμιάσεις, αέρια, καύσιμα, διαλύτες, χρώματα.

► **2.11.** Αν ο θερμαντήρας χρησιμοποιείται κοντά σε μουςαμάδες, σκηνές ή παρόμοια υλικά κάλυψης, συνιστάται να χρησιμοποιήσετε επιπλέον προστασία κατά της φωτιάς. Κρατήστε την κατάλληλη απόσταση, η οποία σε καμία περίπτωση δεν πρέπει να είναι μικρότερη από $2,5\text{m}$ από εύφλεκτα υλικά (ύφασμα, χαρτί, ξύλο, κ.λπ...) ή θερμοασταθή (συμπεριλαμβανομένου του καλωδίου τροφοδοτικού εάν υπάρχει), από τα ζεστά μέρη του θερμαντικού.

► **2.12.** Τοποθετήστε την φιάλη αερίου σε μια προστατευμένη θέση πίσω από τη συσκευή (Εικ.

1). ο θερμαντήρας δεν πρέπει να προσανατολίζεται προς τον κύλινδρο αερίου (Εικ. 2).

► **2.13.** Για οποιοδήποτε λόγο δεν πρέπει να παρεμποδίζεται εντελώς ή εν μέρει, η εισαγωγή αέρα (πίσω) και / ή ο αέρας εξόδου (μπροστά) (Εικ. 3). Αποφύγετε τη χρήση οποιασδήποτε διοχέτευση αέρα από / προς το θερμαντικό. Βεβαιωθείτε ότι δεν εμποδίζονται οι θυρίδες εισαγωγής αέρα στο κάτω μέρος της βάσης (για τα μοντέλα που υιοθετούν αυτή τη λύση).

► **2.14.** Σε περίπτωση αποτυχίας ανάφλεξης, ή ανώμαλη πυροδότηση του θερμαντήρα, συμβουλευτείτε την αντίστοιχη ενότητα (Παρ. "12. ΑΝΩΜΑΛΙΕΣ ΛΕΙΤΟΥΡΓΙΑΣ, ΑΙΤΙΕΣ ΚΑΙ ΛΥΣΕΙΣ").

► **2.15.** Ο θερμαντήρας, ενώ είναι σε λειτουργία, δεν πρέπει να μετακινηθεί, να λάβει χειρισμό, ούτε να υπόκειται σε καμία συντήρηση.

► **2.16.** Σε κάθε κατάσταση χρήσης, ή αδράνειας του θερμαντήρα, βεβαιωθείτε ότι ο εύκαμπτος σωλήνας αερίου, δεν έχει καταστραφεί (συνθλιβεί, λυγίσει, συστραφεί, τεντωθεί, κ.λπ.).

► **2.17.** Αν γίνει αντιληπτή η οσμή αερίου, απενεργοποιήστε αμέσως το θερμοσίφωνα, κλείστε τη φιάλη αερίου, αποσυνδέστε το τροφοδοτικό από το δίκτυο και/ή αφαιρέστε την επαναφορτιζόμενη μπαταρία και επικοινωνήστε με την τεχνική υποστήριξη.

► **2.18.** Σε περίπτωση αντικατάστασης του αγωγού φυσικού αερίου, χρησιμοποιείτε μόνο τον τύπο εύκαμπτου σωλήνα κατάλληλου για την πίεση λειτουργίας, σχετικά με τις εθνικές διατάξεις. Ο σωλήνας αερίου θα πρέπει να έχει μήκος $1,5\text{m}$.

► **2.19.** Όταν η συσκευή δεν είναι σε χρήση, αποσυνδέστε το τροφοδοτικό από το δίκτυο και/ή αφαιρέστε την επαναφορτιζόμενη μπαταρία, κλείστε την παροχή αερίου, αποσυνδέστε το σωλήνα από το θερμαντήρα και κλείστε την είσοδο του αερίου στον θερμαντήρα.

► **2.20.** Επιβεβαιώστε την τεχνική υποστήριξη τουλάχιστον μια φορά το χρόνο και / ή σύμφωνα με τις απαιτήσεις για την εύρυθμη λειτουργία του θερμαντήρα.

► **2.21.** Βεβαιωθείτε ότι ο θερμαντήρας είναι απενεργοποιημένος πριν συνδέσετε το βύσμα του τροφοδοτικού ή / και τοποθετήστε την επαναφορτιζόμενη μπαταρία, έτσι ώστε να αποφευχθεί κάθε κίνδυνος.

► **2.22.** Χρησιμοποιείτε αποκλειστικά γνήσιες επαναφορτιζόμενες μπαταρίες όπως προβλέπονται ρητά. Η χρήση μη προβλεπόμενων επαναφορτιζόμενων μπαταριών μπορεί να προκαλέσει βλάβη ή κίνδυνο θανάτου σε άτομα, τραυματισμούς, εγκαύματα, εκρήξεις, ηλεκτροπληξία ή δηλητηρίαση.

► **2.23.** Διατηρήστε μια απόσταση ασφαλείας μεταξύ της επαναφορτιζόμενης αποσυνδεδεμένης μπαταρίας και αντικείμενα όπως συνδετήρες, κέρματα, κλειδιά,

καρφιά, βίδες ή άλλα μικρά μεταλλικά αντικείμενα που μπορούν να προκαλέσουν βραχυκύκλωμα. Ένα βραχυκύκλωμα μεταξύ των επαφών της μπαταρίας μπορεί να προκαλέσει βλάβη ή κίνδυνο θανάτου σε άτομα, τραυματισμούς, εγκαύματα, εκρήξεις, κ.λπ..

► **2.24.** Η ακατάλληλη χρήση της επαναφορτιζόμενης μπαταρίας μπορεί να προκαλέσει διαρροή υγρών μπαταρίας. Αποφύγετε την επαφή. Σε περίπτωση τυχαίας επαφής, ξεπλύνετε καλά με νερό. Ζητήστε αμέσως ιατρική βοήθεια εάν το υγρό έρθει σε επαφή με τα μάτια. Το υγρό που εξέρχεται από την μπαταρία μπορεί να προκαλέσει εγκαύματα ή πυρκαγιές.

► **2.25.** Η ακατάλληλη χρήση της επαναφορτιζόμενης μπαταρίας μπορεί να προκαλέσει διαρροή υγρών μπαταρίας. Απολύτως αποφύγετε την εισπνοή ατμών αυτών. Ανοίξτε τα παράθυρα σε περίπτωση ατυχούς εισπνοής και να δείτε ένα γιατρό σε περίπτωση ενοχλήσεων. Οι ατμοί μπορούν να ερεθίσουν την αναπνευστική οδό.

► **2.26.** Προκειμένου να αποφευχθεί σοβαρός κίνδυνος μην προσπαθείτε να ανοίξετε/ αποσυναρμολογήσετε την επαναφορτιζόμενη μπαταρία.

► **2.27.** Για να αποφευχθούν σοβαροί κίνδυνοι για την προστασία της μπαταρίας από τη θερμότητα (π.χ. συνεχή ηλιακή ακτινοβολία, τη φωτιά, το νερό, την υγρασία, κ.λπ.).

► **2.28.** Χρησιμοποιήστε την επαναφορτιζόμενη μπαταρία μόνο με το συγκεκριμένο σύστημα θέρμανσης για να αποτρέψετε την επικίνδυνη υπερφόρτωση.

► **2.29.** Χρησιμοποιήστε αποκλειστικά επαναφορτιζόμενες μπαταρίες που διαθέτουν την υποδεικνυόμενη ένταση στην πινακίδα των τεχνικών δεδομένων του θερμαντήρα. Σε περίπτωση χρήσης άλλων επαναφορτιζόμενες μπαταριών (μπαταρίες, για παράδειγμα, απομίμησης αναγεννημένη μπαταρίες, μπαταρίες του ανταγωνισμού, κ.λπ..) υπάρχει κίνδυνος τραυματισμού ή / και έκρηξη.

► **2.30.** Φορτίστε την επαναφορτιζόμενη μπαταρία μόνο με τον γνήσιο φορτιστή. Κάθε μπαταρία χρειάζεται ειδικό φορτιστή, ώστε να αποφεύγεται ο κίνδυνος πυρκαγιάς και έκρηξης.

► **2.31.** Χρησιμοποιήστε μόνο τα προβλεπόμενα τροφοδοτικά από το παρόν εγχειρίδιο. Για να μεταβείτε από τη μία λειτουργία στην άλλη, εκτελέστε τη διαδικασία τερματισμού (Παρ. "9. ΑΠΕΝΕΡΓΟΠΟΙΗΣΗ"). Απαγορεύεται να αλλάξετε τη λειτουργία τροφοδοσίας στο θερμαντήρα σε λειτουργία, προκειμένου να αποφευχθούν σοβαρές ζημιές.

►►► 3. ΤΥΠΟΣ ΚΑΥΣΙΜΟΥ

Χρησιμοποιήστε μόνο αέριο κατηγορίας I₃B/P.

►►► 4. ΠΕΡΙΓΡΑΦΗ ΤΩΝ ΑΡΘΡΩΝ

►► 4.1. ΤΡΟΦΟΔΟΤΙΚΟ (εφόσον υπάρχει):

ΤΟ ΤΡΟΦΟΔΟΤΙΚΟ ΔΕΝ ΕΧΕΙ ΛΕΙΤΟΥΡΓΙΑ ΦΟΡΤΙΣΤΗ.

(Εικ. 4) Ο θερμαντήρας μπορεί να συνδεθεί με το δίκτυο μέσω μιας συσκευής που ονομάζεται τροφοδοτικό. Η παροχή ηλεκτρικού ρεύματος έχει σχεδιαστεί για να λάβει στην είσοδο μονοφασικού εναλλασσόμενου ρεύματος που παρέχεται από το δίκτυο και να το μετατρέψει σε συνεχές σε μια έξοδο DC κατάλληλη για τη λειτουργία της θέρμανσης. Είναι σημαντική η συμμόρφωση με τις παραμέτρους λειτουργίας του ηλεκτρικού δικτύου (βλέπε πινακίδα δεδομένων στο τροφοδοτικό). Χρησιμοποιήστε το τροφοδοτικό σε χώρους εντελώς ξηρούς και προστατευμένους από τη σκόνη, για την τροφοδοσία του θερμαντήρα. Περιοδικά ελέγχετε την κατάσταση του καλωδίου παροχής ρεύματος, προκειμένου να αποφευχθούν σοβαρές ζημιές. Τηρήστε όλες τις προειδοποιήσεις σχετικά με την παροχή ηλεκτρικού ρεύματος, όπως περιγράφεται στο παρόν εγχειρίδιο.

►► 4.2. ΜΠΑΤΑΡΙΑ (εφόσον υπάρχει):

(Εικ. 5) Ο θερμαντήρας μπορεί να λειτουργεί αυτόνομα με μια επαναφορτιζόμενη μπαταρία Li-ion πρωτότυπο, χωρίς να χρειάζεται να συνδεθεί με το ηλεκτρικό δίκτυο. Η επαναφορτιζόμενη μπαταρία παρέχεται μερικώς φορτισμένη και για το λόγο αυτό συνιστάται να εκτελέσετε μια πλήρη φόρτιση της μπαταρίας του κύκλου πριν από τη χρήση. Χρησιμοποιείτε μόνο γνήσιες μπαταρίες για να τροφοδοτήσετε το θερμαντικό σώμα. Τηρήστε όλες τις προειδοποιήσεις σχετικά με την παροχή ηλεκτρικού ρεύματος, όπως περιγράφεται στο παρόν εγχειρίδιο.

►► 4.3. ΦΟΡΤΙΣΤΗΣ (εφόσον υπάρχει):

(Εικ. 6) Ο φορτιστής είναι σχεδιασμένος για την φόρτιση των γνήσιων επαναφορτιζόμενων μπαταριών. Είναι σημαντική η συμμόρφωση με τις παραμέτρους λειτουργίας του ηλεκτρικού δικτύου (βλέπε πινακίδα δεδομένων στο τροφοδοτικό). Χρησιμοποιήστε το φορτιστή σε μέρη τελείως στεγνά και προστατευμένα από τη σκόνη, για φόρτιση μόνο επαναφορτιζόμενων μπαταριών που χρησιμοποιούνται για να τροφοδοτήσουν αυτό το θερμαντήρα. Ο φορτιστής είναι σχεδιασμένος για να λειτουργεί με το σωστό αυτόματο κύκλο φόρτισης όταν η μπαταρία είναι συνδεδεμένη (Εικ. 7). Μια σειρά από φωτεινούς δείκτες που τοποθετούνται στο φορτιστή σας επιτρέπουν να

έχετε μια λεπτομερή διάγνωση κατά τη διάρκεια της φάσης της έρευνας της μπαταρίας (Εικ. 8). Τηρήστε όλες τις προειδοποιήσεις σχετικά με την παροχή ηλεκτρικού ρεύματος, όπως περιγράφεται στο παρόν εγχειρίδιο.

▶▶▶ 5. ΣΥΝΔΕΣΗ ΚΑΙ ΑΝΤΙΚΑΤΑΣΤΑΣΗ ΤΗΣ ΦΙΑΛΗΣ ΑΕΡΙΟΥ

Η φιάλη αερίου πρέπει να αντικατασταθεί στην ύπαιθρο, μακριά από πηγές θερμότητας, σε ατμόσφαιρα χωρίς φλόγα.

Για να συνδέσετε την φιάλη αερίου στο θερμαντήρα θα πρέπει να χρησιμοποιείται μόνο με τα ακόλουθα εξαρτήματα:

- Ελαστικό σωλήνας για το υγραέριο.
- Ρυθμιστής πίεσης για το υγραέριο πλήρες βαλβίδας ασφαλείας.

ΕΛΕΓΞΤΕ ΤΗΝ ΑΚΕΡΑΙΟΤΗΤΑ ΤΟΥ ΣΩΛΗΝΑ ΑΕΡΙΟΥ ΤΡΟΦΟΔΟΣΙΑΣ. ΑΝ ΥΠΑΡΧΕΙ ΑΝΑΓΚΗ ΑΝΤΙΚΑΤΑΣΤΑΣΗΣ, ΧΡΗΣΙΜΟΠΟΙΕΙΣΤΕ ΜΟΝΟ ΣΩΛΗΝΑ ΕΥΚΑΜΠΤΟΥ ΤΥΠΟΥ, ΚΑΤΑΛΛΗΛΟ ΣΤΗΝ ΠΙΕΣΗ ΧΡΗΣΗΣ, ΑΝΑΤΡΕΧΟΝΤΑΣ ΣΤΙΣ ΕΘΝΙΚΕΣ ΡΥΘΜΙΣΕΙΣ.

▶ Για τη σύνδεση του θερμαντικού με την φιάλη αερίου:

ΠΡΟΣΟΧΗ ΟΛΑ ΤΑ ΦΙΛΕ ΕΙΝΑΙ ΑΡΙΣΤΕΡΟΣΤΡΟΦΑ, ΣΦΡΑΓΙΖΟΝΤΑΙ ΑΡΙΣΤΕΡΟΣΤΡΟΦΑ.

▶ **5.1.** Βιδώστε το σωλήνα αερίου στο θερμαντήρα (Εικ. 9).

▶ **5.2.** Εγκαταστήστε το ρυθμιστή πίεσης στη φιάλη αερίου. Βεβαιωθείτε ότι στο ρυθμιστή υπάρχει τσιμούχα (αν ο τύπος συνδετικού το προβλέπει) (Εικ. 10).

▶ **5.3.** Συνδέστε το σωλήνα αερίου ρυθμιστή στο θερμαντήρα (Εικ. 11).

▶ **5.4.** Ανοίξτε τη βαλβίδα της φιάλης αερίου (Εικ. 12).

▶ **5.5.** Πατήστε το πλήκτρο απεμπλοκής ρυθμιστή (Εικ. 13). **Ελέγξτε τις συνδέσεις για διαρροές με νερό και σαπούνι: η παρουσία από φουσκάλες υποδεικνύει τυχόν διαρροές αερίου (Εικ. 14).** Είναι δυνατόν να συνδεθούν μεταξύ τους περισσότερες φιάλες αερίου για την επίτευξη μεγαλύτερης αυτονομίας. Η σωστή πίεση λειτουργίας (βλέπε πινακίδα στο θερμαντήρα) δίνεται από το ρυθμιστή που παρέχεται στον εξοπλισμό ή ισοδύναμο πρότυπο.

▶▶▶ 6. ΗΛΕΚΤΡΙΚΗ ΤΡΟΦΟΔΟΣΙΑ

ΧΡΗΣΙΜΟΠΟΙΕΙΣΤΕ ΜΟΝΟ ΤΙΣ ΛΕΙΤΟΥΡΓΙΕΣ ΤΡΟΦΟΔΟΣΙΑΣ ΠΟΥ ΠΕΡΙΓΡΑΦΟΝΤΑΙ ΠΑΡΑΚΑΤΩ. ΓΙΑ ΝΑ ΜΕΤΑΒΕΙΤΕ ΑΠΟ ΤΗΝ ΜΙΑ ΛΕΙΤΟΥΡΓΙΑ ΣΤΗΝ ΑΛΛΗ, ΕΚΤΕΛΕΣΤΕ ΤΗΝ

ΔΙΑΔΙΚΑΣΙΑ ΤΗΣ ΑΠΕΝΕΡΓΟΠΟΙΗΣΗΣ (Παρ. “9. ΑΠΕΝΕΡΓΟΠΟΙΗΣΗ”). ΑΠΑΓΟΡΕΥΕΤΑΙ Η ΑΛΛΑΓΗ ΛΕΙΤΟΥΡΓΙΑΣ ΤΡΟΦΟΔΟΣΙΑΣ ΘΕΡΜΑΝΤΗΡΑ ΣΕ ΛΕΙΤΟΥΡΓΙΑ.

▶▶ 6.1. ΘΕΡΜΑΝΤΗΡΑΣ ΤΡΟΦΟΔΟΤΟΥΜΕΝΟΣ ΑΠΟ ΤΟ ΤΡΟΦΟΔΟΤΙΚΟ (όπου υπάρχει):

Η ΣΥΝΔΕΣΗ ΜΕ ΤΟ ΔΙΚΤΥΟ ΠΡΕΠΕΙ ΝΑ ΕΚΤΕΛΕΙΤΑΙ ΣΥΜΦΩΝΑ ΜΕ ΤΙΣ ΔΙΑΤΑΞΕΙΣ ΤΟΥ ΕΘΝΙΚΟΥ ΔΙΚΑΙΟΥ.

Πριν από τη σύνδεση του θερμαντήρα με το ηλεκτρικό δίκτυο, βεβαιωθείτε ότι:

▶ **6.1.1.** Το ηλεκτρικό δικτύου είναι εξοπλισμένα με κατάλληλα γειωμένο διαφορικό διακόπτη.

▶ **6.1.2.** Η τάση και η συχνότητα της τροφοδοσίας είναι σωστές (δείτε την πινακίδα που εφαρμόζεται για την παροχή ηλεκτρικού ρεύματος).

Συνδέστε την παροχή ρεύματος στο θερμαντήρα (Εικ. 15) και στη συνέχεια συνδέστε το τροφοδοτικό με το ηλεκτρικό δίκτυο (Εικ. 16).

▶▶ 6.2. ΘΕΡΜΑΝΤΗΡΑΣ ΤΡΟΦΟΔΟΤΟΥΜΕΝΟΣ ΑΠΟ ΤΗ ΜΠΑΤΑΡΙΑ (όπου υπάρχει):

Χρησιμοποιήστε αποκλειστικά επαναφορτιζόμενες μπαταρίες που διαθέτουν την υποδεικνυόμενη ένταση στην πινακίδα των τεχνικών δεδομένων του θερμαντήρα.

Τοποθετήστε την επαναφορτιζόμενη μπαταρία στη θήκη της μπαταρίας βρίσκεται κάτω από τη βάση του θερμαντήρα (Εικ. 17).

Η επαναφορτιζόμενη μπαταρία (παρέχεται στη συσκευασία και / ή προαιρετικό εξοπλισμό ανάλογα με το μοντέλο) παρέχεται μερικώς φορτισμένη. Για να εξασφαλίσει την πλήρη ισχύ της επαναφορτιζόμενης μπαταρία πριν από την πρώτη χρήση φορτίστε πλήρως την επαναφορτιζόμενη μπαταρία στο φορτιστή (κάθε μπαταρία χρειάζεται συγκεκριμένο φορτιστή). Η επαναφορτιζόμενη μπαταρία είναι εξοπλισμένη με ένα στοιχείο ελέγχου θερμοκρασίας “NTC” που επιτρέπει τη φόρτιση μόνο στην κλίμακα θερμοκρασίας μεταξύ 0°C και 40°C. Με τον τρόπο αυτό επιτυγχάνεται μια μεγάλη διάρκεια ζωής της επαναφορτιζόμενης μπαταρίας.

▶▶ 6.3. ΘΕΡΜΑΝΤΗΡΑΣ ΤΡΟΦΟΔΟΤΟΥΜΕΝΟΣ ΑΠΟ ΤΟ ΤΡΟΦΟΔΟΤΙΚΟ (όπου υπάρχει):

Συνδέστε την παροχή ρεύματος στο θερμαντήρα (Εικ. 15) και στη συνέχεια συνδέστε το τροφοδοτικό με το ηλεκτρικό δίκτυο (Εικ. 16) (βλέπε πινακίδα στο θερμαντήρα). Ο θερμαντήρας αποκλείει αυτόματα την επαναφορτιζόμενη μπαταρία. **ΤΟ ΤΡΟΦΟΔΟΤΙΚΟ ΔΕΝ ΕΧΕΙ ΛΕΙΤΟΥΡΓΙΑ CHARGER ΛΕΙΤΟΥΡΓΙΑ ΦΟΡΤΙΣΤΗ** έτσι ώστε όταν ο θερμαντήρας τροφοδοτείται με ρεύμα από το δίκτυο, η επαναφορτιζόμενη μπαταρία δεν επαναφορτίζεται.

▶▶▶ 7. ΑΝΑΦΛΕΞΗ

▶▶ 7.1. ΛΕΙΤΟΥΡΓΙΑ ΘΕΡΜΑΝΣΗΣ:

▶ 7.1.1. Γυρίστε το διακόπτη “Ο/Ι” στη θέση “Ι” (Εικ. 18).

▶ 7.1.2. Περιμένετε μερικά δευτερόλεπτα.

▶ 7.1.3. Πατήστε το αέριο προς τα κάτω και κρατήστε το πατημένο (Εικ. 19).

▶ 7.1.4. Ενεργοποιήστε μέχρι τέλους και επανειλημμένα την πιεζοηλεκτρική ανάφλεξη (Εικ. 20), κρατώντας πατημένο το πλήκτρο του φυσικού αερίου (Εικ. 19).

▶ 7.1.5. Μετά το άναμμα της φλόγας, κρατήστε πατημένο το φυσικό αέριο για περίπου 15 δευτερόλεπτα (Εικ. 21).

▶ 7.1.6. Αφήστε το πλήκτρο του φυσικού αερίου (Εικ. 22).

Σε περίπτωση διακοπής ρεύματος ή η έλλειψη του φυσικού αερίου, ο θερμαντήρας θα σβήσει. Η επανανάφλεξη του θερμαντήρα δεν είναι αυτόματη, αλλά πρέπει να γίνει με το χέρι, επαναλαμβάνοντας την διαδικασία ανάφλεξης. Εάν ο θερμαντήρας δεν ανάβει, ανατρέξτε στην κατάλληλη ενότητα (Παρ. “12. ΑΝΩΜΑΛΙΕΣ ΛΕΙΤΟΥΡΓΙΑΣ, ΑΙΤΙΕΣ ΚΑΙ ΛΥΣΕΙΣ”).

▶▶ 7.2. ΛΕΙΤΟΥΡΓΙΑ ΑΕΡΙΣΜΟΥ:

Ο θερμαντήρας μπορεί επίσης να χρησιμοποιηθεί ως ένας ανεμιστήρας. Συνδέστε το θερμαντήρα για την ηλεκτρική πρίζα και / ή τοποθετήστε την επαναφορτιζόμενη μπαταρία και ενεργοποιήστε το διακόπτη “Ο/Ι” στη θέση “Ο” (Εικ. 18).

ΣΗΜΕΙΩΣΗ: Με το σύστημα θέρμανσης σε λειτουργία κατάστασης θέρμανσης, πριν από τη μετάβαση στη λειτουργία αερισμού, εκτελέστε την κατάλληλη ακολουθία απενεργοποίησης (Παρ. “9. ΑΠΕΝΕΡΓΟΠΟΙΗΣΗ”).

▶▶▶ 8. ΘΕΡΜΙΚΗ ΡΥΘΜΙΣΗ ΙΣΧΥΟΣ

Η θερμική ισχύς μπορεί να ρυθμιστεί με την περιστροφή του κοχλία στη βάση του θερμαντήρα (Εικ. 23).

▶▶▶ 9. ΑΠΕΝΕΡΓΟΠΟΙΗΣΗ

▶ 9.1. Κλείστε τη φιάλη αερίου (Εικ. 24).

▶ 9.2. Αφήστε τον ανεμιστήρα σε λειτουργία για περίπου 60 δευτερόλεπτα, έτσι ώστε να αποφευχθεί εσωτερική ζημιά από την υπερθέρμανση (ψύξη εσωτερικού θερμαντήρα).

▶ 9.3. Γυρίστε το διακόπτη “Ο/Ι” στη θέση “Ο” (Εικ. 25).

▶ 9.4. Αποσυνδέστε το θερμαντήρα από το ηλεκτρικό δίκτυο (Εικ. 26) ή/και αφαιρέστε την επαναφορτιζόμενη μπαταρία από την πρίζα ή αποσυνδέστε την μπαταρία (Εικ. 27).

▶ 9.5. Αποσυνδέστε το θερμοσίφωνα από το σωλήνα τροφοδοσίας αερίου (Εικ. 28-29-30).

▶▶▶ 10. ΚΑΘΑΡΙΣΜΟΣ ΚΑΙ ΣΥΝΤΗΡΗΣΗ

Τουλάχιστον μια φορά το χρόνο και/ή σύμφωνα με τις απαιτήσεις για την εύρυθμη λειτουργία του θερμαντήρα ελέγξτε το σύστημα. Πριν από την αποθήκευση, καθαρίστε το θερμαντήρα.

▶ 10.1. Πριν από την έναρξη οποιασδήποτε εργασίας της υπηρεσίας, συντήρηση και επισκευής του θερμαντήρα, εκτελέστε τη διαδικασία απενεργοποίησης (Παρ. “9. ΑΠΕΝΕΡΓΟΠΟΙΗΣΗ”).

▶ 10.2. Ο καθαρισμός σχετίζεται μόνο με την εισαγωγή αέρα (οπισθίως) του θερμαντήρα.

▶ 10.3. Όταν ο θερμαντήρας επαναχρησιμοποιείται, ελέγξτε την ακεραιότητα του αγωγού φυσικού αερίου. Αν έχετε αμφιβολίες, ρωτήστε τον τεχνικό του σέρβις.

▶ 10.4. Μην εκτελείτε μη εξουσιοδοτημένες εργασίες.

▶▶▶ 11. ΑΠΟΘΗΚΕΥΣΗ ΚΑΙ ΜΕΤΑΦΟΡΑ ΤΗΣ ΜΠΑΤΑΡΙΑΣ

ΜΗΝ ΦΥΛΛΑΤΕ ΚΑΙ ΑΠΟΘΗΚΕΥΕΤΕ ΤΗΝ ΜΠΑΤΑΡΙΑ ΣΕ ΘΕΣΕΙΣ ΜΕ ΧΑΜΗΛΗ ΘΕΡΜΟΚΡΑΣΙΑ ΓΙΑ ΠΑΡΑΤΕΤΑΜΕΝΟ ΧΡΟΝΙΚΟ ΔΙΑΣΤΗΜΑ.

Οι επαναφορτιζόμενες μπαταρίες Li-ion υπόκεινται στις απαιτήσεις της νομοθεσίας σχετικά με τα επικίνδυνα εμπορεύματα. Οι επαναφορτιζόμενες μπαταρίες μπορούν να μεταφερθούν από τον χρήστη χωρίς περαιτέρω προφυλάξεις. Σε περίπτωση αποστολής μέσω τρίτων μερών (για παράδειγμα, των αεροπορικών μεταφορών ή / και μεταφοράς εμπορευμάτων) θα πρέπει να τηρούνται Οι ιδιαίτερες απαιτήσεις, σύμφωνα με τους ισχύοντες κανονισμούς. Αποστείλατε επαναφορτιζόμενες μπαταρίες μόνο εάν το περιβλήμα δεν έχει υποστεί ζημιά. Καλύψτε με κολλητική ταινία τις ελεύθερες επαφές και συσκευάστε την επαναφορτιζόμενη μπαταρία με τέτοιο τρόπο ώστε να μην μετακινείται μέσα στη συσκευασία. Παρακαλώ τηρήστε επίσης οποιεσδήποτε πρόσθετες εθνικές απαιτήσεις.

►►► 12. ΑΝΩΜΑΛΙΕΣ ΛΕΙΤΟΥΡΓΙΑΣ, ΑΙΤΙΕΣ ΚΑΙ ΛΥΣΕΙΣ

ΑΝΩΜΑΛΙΕΣ ΛΕΙΤΟΥΡΓΙΑΣ	ΑΙΤΙΑ	ΛΥΣΕΙΣ
Ο κινητήρας δεν ξεκινά	Διακοπή ρεύματος (αν παρέχεται από το δίκτυο)	1. Ελέγξτε το δίκτυο του συστήματος 2. Τεχνική Υποστήριξη
	Αποφορτισμένη μπαταρία (αν τροφοδοτείται από μπαταρία)	1. Φορτίστε την μπαταρία. 2. Τεχνική Υποστήριξη
	Ελαττωματικό τροφοδοτικό ή μπαταρία	Τεχνική Υποστήριξη
	Βλάβη κινητήρα	Τεχνική Υποστήριξη
Η φλόγα δεν ανάβει.	Έχει τελειώσει το αέριο	Αντικαταστήστε τη φιάλη αερίου (Παρ. 5)
	Ρυθμιστής Βαλβίδα ασφαλείας σε φραγή	1. Πατήστε το κουμπί απελευθέρωσης του ρυθμιστή αερίου (Εικ. 13) 2. Τεχνική Υποστήριξη
	Στρόφιγγα φιάλης αερίου κλειστή	Ανοίξτε τη στρόφιγγα της φιάλης αερίου (Εικ. 12)
	Ελαττωματικό κύκλωμα ανάφλεξης	Τεχνική Υποστήριξη
Η φλόγα δεν ανάβει.	Πλήκτρο αερίου πατημένο για ανεπαρκή χρόνο	Πατήστε το πλήκτρο αερίου παρατεταμένα (Παρ. 7.1.5.)
	Ελαττωματικός θερμαντήρας	Τεχνική Υποστήριξη
Απενεργοποίηση φωτιάς κατά την λειτουργία	Ανεπαρκής παροχή αερίου	1. αντικατάσταση φιάλης αερίου (Παρ. 5) 2. Τεχνική Υποστήριξη
	Υπερθέρμανση του θερμαντήρα	1. Καθαρίστε την εισαγωγή αέρα (πίσω) 2. Τεχνική Υποστήριξη
	Ελαττωματικός θερμαντήρας	Τεχνική Υποστήριξη

段落目录

1...	描述
2...	警告
3...	燃料类型
4...	品种描述
5...	连接和更换燃气罐
6...	电源供应
7...	启动
8...	热功率调节
9...	关闭
10...	清洁和维护
11...	电池的保存和运输
12...	运行异常，原因和解决办法

重要: 在组装，试运行或者维护设备前请务必通读此操作手册。错误的使用设备可能导致严重的伤亡事故。并将此手册妥善保存以备不时之需。

▶▶▶1. 描述

这是一种靠液化器运行便携式空气加热器，其特征在于燃料的全部利用，通过热交换在进气和燃烧产物之间的直接混合。它配有方便的把手，便于运输和处理。这个加热器可以通过特定的电源，或由可充电电池系统供电。它是根据 EN1596法规制造的。

▶▶▶2. 警告

▶⚠重要事项：请勿用于住宅建筑的可居住区域供热；有关公共建筑的使用，请参看指国家规定。

▶⚠重要事项：该加热器不适用于（包括儿童）身体能力，感官或精神上有障碍或缺乏经验的人群，除非由一个人负责监督他们的安全。应照看好儿童，确保他们不玩弄加热器。将动物保持在加热器安全距离以外的地方。

▶⚠重要事项：不当使用这种加热器可引起人员损伤或生命的危险，伤害，烧伤，爆炸，触电或中毒。一氧化碳窒息的最初的症状与感冒的症状很相似，头痛，眩晕和/或恶心。这些症状可能由于加热器的不良运行所引起。在出现任何这些症状的情况下，请立即到户外并请求技术支持服务修理加热器。

▶⚠重要事项：需要进入危险部位的所有清洗，保养和修理操作必须由生产商，其技术支持服务，一个有类似资格的人执行，以防止任何危险，即使规定断开电源的情况下。

▶2.1.关于正确使用加热器和燃料的保存，遵守所有当地的法令和现行法规。

▶2.2.加热器运行需要适当的空气交换。因此，必须用于室外或在保证和空气不断交换的房间。当房间的容积在热功率上计算时，使用每100 W功率 1m³的公式，确保良好的通风。在任何情况下，房间的推荐容

积必须小于100m³。良好的通风由开口保证，它满足用于加热功率kW 25cm²的公式，用最小为250cm²，房间的顶部和底部之间均匀划分。关于安装，适用现有的国家法规，包括技术标准和防火方面的规定。

▶2.3.加热器必须仅用于加热空气(加热模式)，或移动空气(通风模式)。严格按照这些指示使用。

▶2.4.1 制造商对于加热器的使用不当造成物件和/或人员损坏不承担任何责任。

▶2.5.加热器接通只使用在加热器使用数据铭牌上明确指定的燃料的类型。

▶2.6.请务必将加热器连接到配有合适的差动开关和适当接地的正确电网。

▶2.7.只能使用适合延长线部分，带接地线

▶2.8.加热器应在一个水平的，稳定，阻燃表面运行，以避免发生火灾的危险。

▶2.9.绝对禁止在地下室或低于地面水平使用加热器。

▶2.10.加热器不得在有爆炸性粉尘，烟雾，气体，燃料，溶剂，油漆的房间使用。

▶2.11.如果在防水油布，帐篷或覆盖的类似材料附近使用加热器，推荐使用阻燃类型的额外保护。注意要保持适当的距离，在任何情况下从加热器的热部件与易燃(织物，纸张，木材等。)或不耐热材料(包括电源电缆，如果有的话)均不得少于2,5米的距离。

▶2.12.将燃气罐定位在受保护的位置，设备的后面。(插图 1). 加热器绝对不得朝向燃气罐(插图 2)。

▶2.13.无论出于何种原因不应完全，或部分阻塞进气口(后侧)和/或空气出口(前侧)(插图. 3)。从/到加热器避免使用任何空气管道。请确保在底座上有的漏洞和进气口未被堵塞(用于采用解决方案的型号)。

▶2.14.在加热器点火失败，或点火异常的情况下，请咨询相应的部分(段落。“12.运行异常，原因和解决办法”)。

▶2.15.当加热器在运行中不能移动，处理，也不能进行任何维护。

▶2.16.在加热器使用，或驻车的任何条件下，确保燃气管灵活，不会被损坏(挤压，弯曲，扭曲，拉伸等等)。

▶2.17.如果闻到气味，应立即断开加热器，关闭燃气罐，断开电源网插头和/或取出充电电池，然后联系技术支持。

▶2.18.在更换燃气管道的情况下，只能使用适合使用的工作压力的软管，参考国家规定 气体管道的长度应为1,5m。

▶2.19.当不使用加热器时，从电网上拔掉电源插头和/或取出可充电电池，关闭气体供给，从加热器断开燃气管和在加热器封住进气口。

▶2.20.至少每年一次和/或根据需要，让技术支持验证加热器的正常运作。

▶2.21.连接电源的插头和/或插入可充电电池之前，以防止任何危险，确保加热器关闭。

▶2.22.只使用和完全用明确规定的原装充电电池。使用未规定的可充电电池可造成人员损伤或生命危险，伤害，烧伤，爆炸，触电或中毒。

▶2.23.在断开的充电电池和回形针，硬币，钥匙，钉子，螺丝或其他小

金属物体之间保持安全距离，它们可能会导致短路。可充电电池的触点之间短路会造成人员的损伤或生命危险，伤害，烧伤，爆炸等。

▶2.24. 错误使用可充电的电池可能导致从电池液体溢出。绝对避免与其接触。万一不慎接触，用清水彻底冲洗。一旦液体接触到眼睛立即就医。从可充电电池排出液体可引起皮肤过敏或灼伤。

▶2.25. 错误使用可充电的电池可能导致从电池气体溢出。绝对避免吸入这些气体。让新鲜空气流入，并且在意外吸入的情况下和如感不适请找医生治疗。蒸气会刺激呼吸道。

▶2.26. 为了避免严重的风险不要尝试打开/拆卸可充电式电池。

▶2.27. 为了避免严重的风险，保护可充电电池免受热影响（如太阳不断辐照，防火，防水，防潮，等等）

▶2.28. 使用只用于该加热器可充电电池规格，以防止过载的危险。

▶2.29. 只能使用加热器的技术数据铭牌上所示电压原配充电电池。使用其他充电电池的情况下（例如，模仿电池，再生电池，竞争对手的电池等。）存在伤害和/或爆炸的危险。

▶2.30. 充电可充电电池只能和专用使用原装充电器。每个电池需要特定的充电器，以避免火灾和爆炸的风险。

▶2.31. 只使用本手册中规定的的供电模式。从一种模式切换到另一种，执行关机顺序（段落“9. 关闭”）。禁止改变运行中加热器的模式，以便避免造成严重损坏。

▶▶▶3. 燃料类型

只使用 I₃B/P级别的燃气。

▶▶▶4. 品种描述

▶▶4.1. 供应器（有的地方）：
供电器没有充电器的功能。

(插图. 4) 通过一种称为电源装置可以连接到电源网加热器可运行。电源被设计用于在输入接受电网提供的单相交流电，并在输出把它转换成直流适合加热器的运行。需要遵守的电源的工作参数（参见在电源上使用的数据铭牌）。在完全干，免受灰尘的地点使用电源，专门为这款加热器供电。定期验证电源线的状态，以避免严重损坏。遵守本手册中所述电源的所有相关警告。

▶▶4.2. 电池（有的地方）：

(插图 5) 该加热器可以独立的方式带可充电的原始锂离子运行，而无需连接电网。充电的电池提供部分充电，为此建议在使用电池前进行一个完整充电的循环。只能使用原厂电池用于加热器通电。遵守本手册中所述电池的所有相关警告。

▶▶4.3. 充电器（有的地方）：

(插图 6) 电池充电器为可充电原配充电电池而设计的。需要遵守充电器的工作参数（参见在充电器上使用的数据铭牌）。在完全干燥并防尘的地点使用充电器，以用于专门加载可用的充电电池充用于加热器通电。当可充电电池连接时，充电器被设计用自动模式管理正确的充电循环（插图 7）。位于充电器上的一系列指示灯在电池查找阶段允许有一个详细的诊断（插图 8）。遵守本手册中所述充电器上的所有相关警告。

▶▶▶5. 连接和更换燃气罐

必须在露天，远离火焰，没有火焰环境替换燃气罐。

燃气罐连接到加热器，只能使用下面配件：

- 液化气软管。
- 用于液化气完整的安全阀压力调节器。

验证供应燃气管道的完整性。在需要更换的情况下，采用灵活类型，适合使用压力的管子，参考国家规定。

▶将加热器连接到燃气罐：

注意：所有螺纹都是逆时针的，即必须逆时针拧紧。

▶5.1. 将燃气管道拧到加热器的接头（插图. 9）。

▶5.2. 在燃气罐上安装压力调节器。确保在调节器上有密封圈（如果接头的类型配有）（插图 10）。

▶5.3. 将燃气管道连接到压力调节器（插图. 11）。

▶5.4. 打开燃气罐的开关（插图. 12）。

▶5.5. 按下锁定调节器按钮（插图 13）。用肥皂水验证接头的密封性：起泡将说明任何气体泄漏（插图 14）。在更多的燃气罐之间可以进行连接以得到更大的自主性。正确的运行压力（参见热水器使用数据铭牌）由配备的提供调节器，或等效模型给出。

▶▶▶6. 电源供应

仅可以使用以下描述的电源方法。从一种模式切换到另一种，执行关闭顺序（段落“9. 关闭”）。禁止更改运行中加热器电源模式。

▶▶6.1. 从电源加热器通电（在有的地方）：

按照国家现行法规进行电网连接。

在加热器连接到电网之前，请确保：

▶6.1.1. 电网配备差位开关和适当的接地。

▶6.1.2. 电源的电压和功率正确（参见电源使用的数据铭牌）。

将电源连接到加热器（插图. 15），然后将电源连接到电网（插图 16）。

▶▶6.2. 从可再充电电池加热器电源（有的地方）：

只能使用加热器数据铭牌上标出电压的原配充电电池。

将可再充电电池插入加热器底座的电池架仓（插图 17）。

可再充电电池（随包装供应，和/或可选取决于型号）提供部分充电。为了确保可再充电电池的满功率，在第一次使用之前在原充电器完全充足可再充电电池（每个电池需要特定的充电器）。可再充电电池配备有“NTC”温度控制，允许在0°C和40°C温度范围单独充电。以这种方式获得可充电电池的长寿命。

▶▶6.3. 从带插入电池电源（在有的地方）加热器电源：

将电源连接到加热器（插图 15），然后将电源连接到电网（插图 16）（参见加热器上使用的铭牌数据）。加热器自动排除了可再充电电池。电源不起充电器作用，所以从电源网供电加热器时，连接可再充电电池不被充电。

▶▶▶7. 启动

▶▶7.1. 加热模式:

▶7.1.1.将“O/I”开关放到位置“I”(插图 18)。

▶7.1.2.等待几秒钟。

▶7.1.3.将燃气按钮按到底和保持按住它(插图. 19)。

▶7.1.4.操作彻底和反复压电点火器(插图. 20), 保持按住燃气按钮(插图 19)。

▶7.1.5.火苗点燃后, 按住燃气按钮约15秒钟(插图 21)。

▶7.1.6.松开燃气按钮(插图 22)。

在电源故障或缺乏燃气的情况下, 该加热器将关闭。加热器的重新点火不是自动的, 通过重复点火程序, 但必须手动完成。如果加热器打不开, 请参阅相应的部分(段落“12. 运行异常, 原因和解决办法”)。

▶▶7.2. 通风模式:

加热器也可以作为一个风扇使用。加热器连接到电源插头和/或插入可再充电电池, 将“O/I”开关带到位置“I”(插图 18)。

特别注意: 加热器在加热模式下运行时, 切换到通风模式之前, 进行正确的关闭顺序(段落。“9. 关闭”)。

▶▶▶8. 热功率调节

通过转动加热器底座上旋钮, (插图 23)。

▶▶▶9. 关闭

▶9.1.关闭燃气罐(插图. 24)。

▶9.2.让风扇运行约60秒, 以避免内

部因过热而损坏(加热器内部冷却)。

▶9.3.将“O/I”开关放在“O”位置(插图. 25)。

▶9.4.从电源上断开加热器(插图. 26)和/或从主电源移除可再充电电池或断开电池(插图 27)。

▶9.5.从燃气供给管断开加热器(插图 28-29-30)。

▶▶▶10. 清洁和维护

至少每年一次和/或根据需要, 让技术支持验证加热器的正常运作。在使用后放置它之前, 必须清洗加热器。

▶10.1.在开始加热器任何形式的维修工作, 保养和修理之前, 执行关闭顺序(段落“9. 关闭”)。

▶10.2.清洁仅适用于该加热器的进气口(后侧)。

▶10.3.当重新使用加热器时, 验证燃气管道的完整性。如果对此您有疑问, 请请求技术支持的帮助。

▶10.4.请勿执行未经授权的工作。

▶▶▶11. 电池的保存和运输

请勿在低温场所长时间保存和存储电池。

可再充电锂离子电池受到有关危险品的法律的要求。使户可在道路运输可再充电电池, 无需进一步的预防措施。在通过第三方出货的情况下(例如, 航空运输和/或货运代理人)必须遵守现行法规的特别要求。只有在壳体没有损坏的情况下, 发送可再充电电池。用胶布覆盖露出的开触点, 和让它包装里不可移动的方式包装可再充电电池。我们还请你们遵守任何进一步国家法规。

▶▶▶12. 运行异常，原因和解决办法

运行的异常	原因	解决方法
电机不启动	电源故障 (如果从电网提供)	1.次验证网络系统 2.次技术支持
	电池电量低 (如果由电池供电)	1.次充电电池 2.次技术支持
	电源或电池缺陷	技术支持
	电机故障	技术支持
火焰点不亮	燃气罐用尽	更换燃气罐 (段落. 5)
	安全阀门控制器锁定	1.次按调节器的燃气解锁按钮 (插图 13) 2.次技术支持
	燃气罐开关关闭	打开燃气罐开关(插图 12)
	点火回路故障	技术支持
火焰不能保持点亮	燃气按钮按下时间不够	更长时间按燃气按钮(段落 7.1.5.)
	加热器有问题	技术支持
运行过程中熄火	燃气供应不足	1.次更换燃气罐 (段落. 5) 2.次技术支持
	加热器过热	1.次清洁进气口 (后侧) 2.次技术支持
	加热器有问题	技术支持

ПАРАГРАФТАРДЫҢ МАЗМҰНЫ

1...	СИПАТТАМАСЫ
2...	ЕСКЕРТУЛЕР
3...	ЖАНАРАМАЙ ТҮРІ
4...	ҚҰРАЛДАРДЫҢ СИПАТТАМАСЫ
5...	ГАЗ БАЛЛОНЫН ЖАЛҒАУ МЕН АУЫСТЫРУ
6...	ЭЛЕКТРЖЕЛІСІ
7...	ҚОСУ
8...	ЖЫЛУ ҚУАТЫН РЕТТЕУ
9...	ӨШІРУ
10...	ТАЗАЛАУ МЕН КҮТУ
11...	АККУМУЛЯТОРДЫ САҚТАУ МЕН ТАСЫМАЛДАУ
12...	АҚАУЛАР, СЕБЕПТЕРІ МЕН ОЛАРДЫҢ АЛДЫН АЛУ

МАҢЫЗДЫ: ҚҰРАЛДЫ ЖӨНДЕУ, ҚОСУ, НЕМЕСЕ ҚЫЗМЕТ КӨРСЕТУ ЖҰМЫСТАРЫН ЖҮРГІЗУ АЛДЫНДА ОСЫ ЖЕТЕКШІЛІКТІ МҰҚИЯТ ОҚЫП АЛУ КЕРЕК. ДҰРЫС ПАЙДАЛАНБАУ АУЫР ДЕНЕ ЖАРАҚАТТАРЫНЫҢ СЕБЕПШІСІ БОЛУЫ МҰМКІН. ОСЫ ЖЕТЕКШІЛІКТІ БОЛАШАҚТА ПАЙДАЛАНУ МАҚСАТЫМЕН САҚТАУ КЕРЕК.

►►► 1. СИПАТТАМАСЫ

Бұл құрал сығылған газбен жұмыс істейтін портативті ауа жылытқышы; сипаттамалы ерекшеліктері бұл жанармайды толық пайдалану, сонымен қатар жану өнімдерімен кірген ауаның тікелей араласуының себебінен болатын жылумен ауысу. Құралдың ауыстыруға ыңғайлы ұстағышы бар. Жылытқыш EN 1596 нормаларына сәйкес жасалған.

►►► 2. ЕСКЕРТУЛЕР

►⚠️ **МАҢЫЗДЫ:** Бұл қондырғыны үйлер мен тұрғын үйлерде пайдалануға болмайды; қоғамдық ғимараттарда пайдалану осы мемлекетте пайдаланылатын жағдайларға сәйкес болуы керек.

►⚠️ **МАҢЫЗДЫ:** Қондырғыны физикалық немесе ақылы кем адамдарға (соның ішінде балаларға), немесе білімі мен тәжірибесі жоқ адамдарға, олардың жұмыс істеу қауіпсіздігіне жауапты адам бақылаған кезден басқа, қолдануға рұқсат етілмейді. Балалар үнемі бақылауда болуы керек, қондырғымен ойнап жатқан жоқтығына сенімді болу үшін. Жануарлар қондырғымен контактіде болмауы керек.

►⚠️ **МАҢЫЗДЫ:** Қондырғыны дұрыс пайдаланбау жарақат, күй, жарылу, тоқпен

соғу, улану немесе өлімге соқтыруы мүмкін. Көміртек тотығымен уланудың алғашқы белгілері бас ауырумен бірге тұмаудың белгілеріне ұқсас, бас айналу және/немесе жүрек айну. Бұл белгілердің себепшісі қондырғының дұрыс жұмыс істемеуі болуы мүмкін. **ЕГЕР ДЕ ЖОҒАРЫДА КӨРСЕТІЛГЕН БЕЛГІЛЕР ПАЙДА БОЛАТЫН БОЛСА, ДЕРЕУ ТАЗА АУАҒА ШЫҒУ КЕРЕК**, сонымен қатар қондырғыны сату орталығына жөндеуге өткізу керек.

►⚠️ **МАҢЫЗДЫ:** Қауіп төндіретін, электр түйіндеріне қолжетімді жерде тазалау, техникалық қызмет көрсету және жөндеу жұмыстарына байланысты барлық жұмыстар (мысалы бүлінген қуат сымын ауыстыру) өндіруші, сатудан кейінгі қызмет көрсету орталығының пунктісі немесе қондырғысәйкес мамандығы бар адаммен қондырғы басты қуат көзінен ажыратылған болғанның өзінде максималды қауіпсіз әдіспен орындалуы керек.

► 2.1. Қондырғыны дұрыс және тиімді қолдану үшін осы мемлекетте жүзеге асырылатын ережелер мен нормаларды сақтау керек.

► 2.2. Дұрыс жұмыс істеу үшін жылытқыш сәйкес мөлшерде таза ауаны талап етеді. Сондықтан ол ғимараттан тыс немесе сәкес ауа мөлшері

қамтамасыздандырылған жақсы желдеткіші бар ғимараттарда пайдалануға арналған. Сәйкес желдетуді қондырғының жылыту қуатын ғимарат ауданына келесі пропорцияға сәйкес: 100 Вт қуатқа 1 м³ бейімдеу арқылы қамтамасыздандыруға болады. Ғимараттың көлемі 100 м³ аз болуы еш уақытта ұсынылмайды. Сәйкес ауа алмасу желдету саңылауының көмегімен қамтамасыздануы мүмкін, ол келесі параметрлерге сәйкес болуы керек: мөлшері 1 кВт 25 см² жылыту қуатына (кем дегенде 250 см²), орналасуы ғимараттың жоғарғы және төменгі бөліктерінің арасында болуы керек. Жөндеу жұмыстары осы мемлекетте қолданылатын нормаларға сәйкес келу керек, техникалық нормалармен қатар, сонымен бірге еңбекті қорғау мен қауіпсіздік техникасы және өрт қауіпсіздігі ережелеріне сәйкес болуы керек.

► **2.3.** Қондырғы ыстық ауа көзі (жылыту функциясы) немесе желдеткіш ретінде (осы функциясы бар модельдерге арналған желдеткіш функциясы) ғана қызмет көрсете алады. Осы шарттарды міндетті түрде сақтап орындау керек

► **2.4.** Өндіруші қондырғыны дұрыс пайдаланбау нәтижесінде пайда болған мүлік немесе дене жарақаттарына жауап бермейді.

► **2.5.** Жылытқыш қондырғыға орнатылған номиналды щитокта көрсетілгендей, кернеу параметрлерімен тоққа жалғанған уақытында нақты айқындалған жанармайда ғана жұмыс істей алады.

► **2.6.** Қондырғы сәйкес дифференциалды ажыратқышы бар, сонымен қатар сәйкес жерлендірілген электр жүйесінің көзіне жалғанып тұрғанына көз жеткізу керек.

► **2.7.** Сәйкес жерлендіруі бар ұзартқышпен пайдаланған жөн.

► **2.8.** Өрт тәуекелділігін тегістеу (нивенирлеу) үшін қондырғы тұрақты және табанды негіздемеде орнатылуы керек.

► **2.9.** Қондырғыны жертөлелер мен жер бетінің астында пайдалануға рұқсат етілмейді.

► **2.10.** Қондырғыны сыр немесе еріткіштерді сақтау орындарында пайдалануға рұқсат етілмейді, сонымен қатар тез жану қабілеті бар газ немесе булар болуы мүмкін жерлерде пайдалануға рұқсат етілмейді.

► **2.11.** Егер жылытқыш импрегнирленген брезент, тығыз перделер немесе сол сияқты материалдардың жанында қолданылса қосымша отқа төзімді қорғаныс элементтерін пайдалануды ойластыру керек. Қондырғының қызатын элементтері тез жануға бейімделген материалдардан (мата, қағаз, ағаш және т.б.) сәйкес ара-қашықтықта орналасқанына көз жеткізу керек немесе қызуға төзімді емес материалдардан (қуат сымын қоса); бұл ара-қашықтық 2,5 метрден аз бомауы керек.

► **2.12.** Газ баллонын қондырғының артында қауіпті қалыпта орнату керек (Сур. 1). Жылытқыш баллонға қарай еш уақытта бұрылып тұрмауы керек (Сур. 2).

► **2.13.** Кіретін желдеткіш саңылауы арқылы (артынан), сонымен қатар шығатын желдеткіш саңылауы (алдынан) ауа ағынында ешбір кедергі болмауы керек (Сур. 3). Жылытқышқа қандай да бір желдеткіш сымдарын жалғауға рұқсат етілмейді. Негіздемде орналасқан ауаның кіруіне арналған саңылаулар ештеңемен жабық тұрмағанына көз жеткізу керек (осындай шешім қабылданған модельдерге байланысты).

► **2.14.** Егер де жылытқыш нормаға сәйкес қосылып немесе өшірлмей жатса сәкес бөлімге назар аудару керек (13 бөлім «АҚАУЛАРДЫ ТҮЗЕУ»).

► **2.15.** Қосуды тұрған жылытқышта техникалық қызмет көрсету жұмыстарын немесе жылытқышты орнынан ауыстыруға болмайды.

► **2.16.** Қондырғы пайдаланып немесе пайдаланылмай тұрғанына байланыссыз газ сымын оңдауға тексеріп тұру керек (басылған, оралған, бұратылғын).

► **2.17.** Егер де сіз газдың иісін сезсеңіз қондырғыны дереу өшіру керек, газ баллонын жауып, жылытқышты электр жүйесінен өшіріп тастау керек, осыдан кейін қызмет көрстеу орталығына айту керек.

► **2.18.** Егер де газ сымын ауыстыру қажет болса, иілімді сым пайдалану керек, осы облыста жергілікті ұйғарымдарды ескере отырып. Газ сымының ұзындығы 1,5 метр болуы керек.

► **2.19.** Егер қондырғы термостат көмегімен басқарылатын болса (қосымша опция), жылытқыш өз бетімен қосылуы мүмкін, егер де температура төмендеп және орнатылған мөлшерден аз болатын болса.

► **2.20.** Қондырғы ұзақ уақыт пайдаланылмаған кезеңдерде оны электр желісінен ажырату керек, газдың беруін жауып тастап, жылытқыштан газ сымын өшіріп және газдың келу саңылауын жауып тастау керек.

► **2.21.** Қондырғы кем дегенде жылына бір рет немесе қажет болған жағдайларда сатудан кейінгі сервистік қызмет көрсету орталықтарында мамандармен дұрыстығына тексеріліп тұруы керек.

► **2.22.** Кіретін желдеткіш саңылауы арқылы (артынан), сонымен қатар шығатын желдеткіш саңылауы (алдынан) ауа ағынында ешбір кедергі болмауы керек (Сур.3). Жылытқышқа қандай да бір желдеткіш сымдарын жалғауға рұқсат етілмейді. Негіздемде орналасқан ауаның кіруіне арналған саңылаулар ештеңемен жабық тұрмағанына көз жеткізу керек (осындай шешім қабылданған модельдерге байланысты).

► **2.23.** Қондырғы ыстық ауа көзі (жылыту функциясы) немесе желдеткіш ретінде (осы функциясы бар модельдерге арналған желдеткіш функциясы) ғана қызмет көрсете алады. Осы шарттарды міндетті түрде сақтап орындау керек

► **2.24.** Қайта нәрлендірілген аккумуляторды дұрыс пайдаланбау аккумулятордан сұйықтықтың ағып кетуіне соқтыруы мүмкін. Ешбір жағдайда оған тиіспеңіз. Абайсызда тиіп кететін болса, сумен жақсылап жуыңыз! Егер де сұйықтық көзге тисе, дереу дәрігерге жолығыңыз. Қайта нәрлендірілген аккумулятордан аққан сұйықтық терінің жарақаттануына немесе күйікке шалдықтырады.

► **2.25.** Қондырғы сәйкес дифференциалды ажыратқышы бар, сонымен қатар сәйкес жерлендірілген электр жүйесінің көзіне жалғанып тұрғанына көз жеткізу керек.

► **2.26.** Қондырғы кем дегенде жылына бір рет немесе қажет болған жағдайларда сатудан кейінгі сервистік қызмет көрсету орталықтарында мамандармен дұрыстығына тексеріліп тұруы керек.

► **2.27.** Қосулы тұрған жылытқышта техникалық қызмет көрсету жұмыстарын немесе жылытқышты орнынан ауыстыруға болмайды.

► **2.28.** Қауіпті шамадан артық іс әрекеттердің алдын алу үшін қайта нәрленген аккумуляторды тек қана осы жылытқышпен ғана қолдану керек.

► **2.29.** Егер жылытқыш импрегнирленген брезент, тығыз перделер немесе сол сияқты материалдардың жанында қолданылса қосымша отқа төзімді қорғаныс элементтерін пайдалануды ойластыру керек. Қондырғының қызатын элементтері тез жануға бейімделген материалдардан (мата, қағаз, ағаш және т.б.) сәйкес ара-қашықтықта орналасқанына көз жеткізу керек немесе қызуға төзімді емес материалдардан (қуат сымын қоса); бұл ара-қашықтық 2,5 метрден аз бомауы керек.

► **2.30.** Қайта нәрленетін аккумуляторды тек қана түпнұсқалы нәрлендіруге арналған құрылғымен ғана нәрлендіру керек. Әрбір аккумулятор өрт пен жарылыстың алдын алу үшін арнайы нәрлендіру құрылғысында қажет етіледі.

► **2.31.** Тек қана осы жетекшілікте көрсетілген электр энергиясының режимдерін ғана қолдану. Бір режимнен екінші режимге ауыстыру үшін өшіруге арналған әрекеттер ретін орындау керек (9 параграф «ӨШІРУ»). Жұмыс істеп тұрған жылытқышта нәрлендіру режимін ауыстыруға тиым салынады, ауыр жарақат алудың алдын алу үшін.

►►► 3. ЖАНАРМАЙ ТҮРІ

Тек қана I₃B/P категориялы газ қолданыңыз.

►►► 4. ҚҰРАЛДАРДЫҢ СИПАТТАМАСЫ

►► 4.1. НӘРЛЕНДІРУ БЛОГЫ (БАР БОЛСА): НӘРЛЕНДІРУ БЛОГЫ ЗАРЯДТАУ ФУНКЦИЯСЫН ОРЫНДАМАЙДЫ.

(Сур. 4) Жылытқыш нәрлендіру блогы деп аталатын қондырғы арқылы электр желісінің көмегімен жұмыс істей алады. Нәрлендіру блогы жылытқышқа сәйкес келетін желіден жеткілетін бірфазалы ауыспалы токтың кіріп және шығу кезінде оны үнемі тоққа алмастыру үшін жобаланған. Нәрлендіру блогының жұмысшы параметрлерін сақтаған жөн (нәрлеу блогындағы көрсеткіштер кестесін қараңыз). Нәрлендіру блогын осы жылытқышқа ғана нәр беру үшін тек құрғақ және шаңды емес жерлерде ғана пайдаланыңыз. Ауыр жарақаттардың алдын алу үшін нәрлендіру блогының сымын периодты тексеріп тұрыңыз. Осы жетекшілікте келтірілген нәрлендіру блогына қатысты барлық сақтандыру шараларын орындаңыз.

►► 4.2. АККУМУЛЯТОР (бар болса):

(Сур. 5) Жылытқыш электр желісіне қосылуды қажет етпейтін, түпнұсқалы қайта нәрленетін литийлі аккумуляторды пайдалану көмегімен жұмыс істей алады. Қайта нәрленетін аккумуляторды шамалай нәрлендіріп жеткізеді, сондықтан аккумуляторды пайдалану алдында оны толық нәрлеу ұсынылады. Жылытқышқа ток беру үшін тек қана түпнұсқалы аккумуляторларды пайдалану керек. Осы жетекшілікте келтірілген аккумуляторға қатысты барлық сақтандыру шараларын орындаңыз.

►► 4.3. ЗАРЯДТАУ ҚОНДЫРҒЫСЫ (БАР БОЛСА):

(Сур. 6) Зарядтау қондырғысы түпнұсқалы қайта нәрленетін аккумуляторларды зарядтауға арналған. Зарядтау қондырғысының жұмысшы параметрлерін сақтау керек (зарядтау қондырғысындағы көрсеткіштер кестесін қараңыз). Зарядтау қондырғысын осы жылытқышқа ток көзін беруге пайдаланатын түпнұсқалы қайта нәрленетін аккумуляторларды зарядтау үшін құрғақ және шаңды емес жерлерде ғана пайдаланыңыз. Зарядтау қондырғысы қайта нәрленетін аккумуляторды жалғау кезінде зарядтаудың дұрыс автоматты циклы үшін арналған (Сур. 7). Зарядтау қондырғысындағы түс индикаторларының қатары аккумулятор зарядталып жатқанда толық ақпаратты алуды қамтамасыздандырады (Сур. 8). Осы жетекшілікте келтірілген зарядтау қондырғысына байланысты барлық сақтандыру шараларын орындаңыз.

►►► 5. ГАЗ БАЛЛОНЫН ЖАЛҒАУ МЕН АУЫСТЫРУ

Газ баллонын жаңасына ашық ауада, жылу көздерінен алшақ, ашық оты жоқ жерлерде ауыстыру керек.

Газ баллонын жылытқышқа жалғау үшін келесі жиынтықтарды пайдалану қажет:

- Сұйық газға арналған иілгіш труба.
- Сақтандырғыш кабелімен комплектленген сұйық газға арналған қысым реттегіш.

ГАЗ БЕРЕТІН ТРУБАНЫҢ БҮТІНДІГІН ТЕКСЕРУ ҚАЖЕТ БОЛСА ОНЫ АУЫСТЫРУ КЕРЕК, МЕМЛЕКЕТТІК НОРМАЛАРДЫҢ ТАЛАПТАРЫНА СӘЙКЕС АЙҚЫНДАЛҒАН ЖҰМЫСШЫ ҚЫСЫМЫНА СӘЙКЕС КЕЛЕТІН ИІЛГІШ ТРУБАЛАРДЫ ҒАНА ҚОЛДАНУ КЕРЕК.

► Газ баллонын жылытқышқа жалғау үшін:

НАЗАР АУДАРЫҢЫЗ! БАРЛЫҚ РЕЗЬБАЛЫҚ ЖАЛҒАУЛАР СОЛ ЖАҚПЕН КЕСКІНДЕЛГЕН, Яғни ОЛАР САҒАТ ТІЛІНЕ ҚАРСЫ ТАРТЫЛЫП БЕКІТІЛЕДІ.

► 5.1. Газ трубасын жылытқыш патрубогына бұрап қою (Сур. 9).

► 5.2. Газ баллонына қысым реттегішін орнату. Реттегіште тығыздау бар екендігіне көз жеткізу (егер де ол бекіту түрімен қарастырылса) (Сур. 10).

► 5.3. Қысым реттегішке газ трубасын жалғау (Сур. 11).

► 5.4. Газ баллонының кранын ашу (Сур. 12).

► 5.5. Реттегішті блоктан шығару басқышын басу (Сур. 13). **Сабынды ерітінді пайдаланып жалғаулардың герметикалығын тексеру: көпіршіктердің пайда болуы газдың мүмкін шығуын білдіреді (Сур. 14).** Жұмыс жалғастыруын ұзарту үшін бірнеше баллондарды өзара жалғауға болады. Комплексте реттегіш немесе мәні бірдей реттегіштерді жеткізу дұрыс жұмысшы қысымды қамтамасыздандырады (жылытқыштағы көрсеткіштер кестесін қараңыз).

►►► 6. ЭЛЕКТР ЖЕЛІСІ

БІР РЕЖИМНЕН ЕКІНШІ РЕЖИМГЕ АУЫСУҮШІН ТЕК ҚАНА ЭЛЕКТР ЭНЕРГИЯНЫҢ ТӨМЕНДЕ КЕЛТІРІЛГЕН ТҮРЛЕРІН ҒАНА ҚОЛДАНУ КЕРЕК, АЖЫРАТУҒА ҚАЖЕТТІ ӘРЕКЕТТЕР ҚАТАРЫН ОРЫНДАУ КЕРЕК («9. АЖЫРАТУ» ПАРАГРАФЫН ҚАРА). ЖЫЛЫТҚЫШ ЖҰМЫС ІСТЕП ТҮРҒАНДА ЖҮЙЕ РЕЖИМІН АУЫСТЫРУҒА ТИЫМ САЛЫНАДЫ.

►► 6.1. НӘРЛЕУ БЛОГЫНАН НӘРЛЕУІ БАР

ЖЫЛЫТҚЫШ (бар болса):

ЭЛЕКТР ЖЕЛІСІНЕ ЖАЛҒАУ ӘРЕКЕТТЕГІ ҰЛТТЫҚ СТАНДАРТТАРҒА СӘЙКЕС ОРЫНДАЛУЫ КЕРЕК.

Жылытқышты электр желісіне жалғау алдында келесіге көз жеткізе керек:

► 6.1.1. Электр желісінің жүйесі дифференциалды ажыратқыш және сәйкес келетін жерлендіру жүйесімен қамтамасыздандырылғандығына.

► 6.1.2. Жүйедегі кернеу мен ток қажеттіге сәйкес екендігін (нәрлеу блогында орналасқан техникалық көрсеткіштері бар кестеге қара).

Нәрлеу блогын жылытқышқа жалғау (Сур. 15), артынша нәрлеу блогын электр желі жүйесіне қосу (Сур. 16).

►► 6.2. ҚАЙТА ЗАРЯДТАЛАТЫН АККУМУЛЯТОРДАН НӘРЛЕУІ БАР ЖЫЛЫТҚЫШ (бар болса):

ЖЫЛЫТҚЫШТЫҢ ТЕХНИКАЛЫҚ КӨРСТЕКІШТЕР КЕСТЕСІНДЕ КЕЛТІРІЛГЕН, ТЕК ҚАНА КЕРНЕУІ БАР ТҮПНҰСҚАЛЫ ҚАЙТА ЗАРЯДТАЛАТЫН АККУМУЛЯТОРЛАРДЫ ҒАНА ПАЙДАЛАНУ.

Қайта зарядталатын аккумуляторды аккумулятор батареяларына арналған тетікке, жылытқыш негізінің астында, орнату (Сур. 17).

Қайта зарядталатын аккумулятор (қорапта болатын және/немесе факультативті, модельге байланысты) шамалай зарядталып жеткізіледі. Қайта зарядталатын аккумулятордың толық күшін қамтамасыздандыру үшін, қайта зарядталатын аккумуляторды алғаш пайдалану алдында толық зарядтау керек, түпнұсқалы зарядтау қондырғысын пайдаланып (әрбір аккумуляторға сәйкес зарядтау қондырғысы керек). Қайта зарядталатын аккумулятор "NTC" температураны бақылау құралымен қамтамасыздандырылған, ол температураны тек қана 0°C-ден 40°C температурада ғана зарядтауды қамтамасыздандырады. Осыған орай қайта зарядталатын аккумулятор әрекеті ұзақ уақытқа жетеді.

►► 6.3. ОРНАТЫЛҒАН АККУМУЛЯТОРЫ БАР НӘРЛЕУ БЛОГЫНАН НӘРЛЕНУІ БАР ЖЫЛЫТҚЫШ (бар болса):

Нәрлендіру блогын жылытқышқа жалғау (Сур. 15), содан соң нәрлендіру блогын электр желісінің жүйесіне жалғау (Сур. 16) (жылытқышта орнатылған көрсеткіштер кестесін қара). Жылытқыш автоматты түрде қайта зарядталатын аккумуляторды пайдалануды жояды. **НӘРЛЕНДІРУ БЛОГЫ ЗАРЯДТАУ ҚҰРАЛЫНЫҢ ФУНКЦИЯСЫН ОРЫНДАМАЙДЫ,** сондықтан жылытқышқа электр желісінің жүйесінен нәр берілгенде қайта зарядталатын аккумулятор зарядталмайды.

►►► 7. ҚОСУ

►► 7.1. ЖЫЛЫТУ РЕЖИМІ:

► 7.1.1. Ауыстырғышты “О/І” қалпынан “І” қалпына орнатыңыз (Сур. 18).

► 7.1.2. Бірнеше секунд күтіңіз.

► 7.1.3. Газды беру басқышын соңына дейін басып, оны сол қалпында басып тұрыңыз (Сур. 19)

► 7.1.4. Пьезоэлектрлі қосқышты бірнеше рет басыңыз (Сур. 20), газды беру басқышын басулы тұрған күйінде (Сур. 19)

► 7.1.5. От жанған соң 15 секунд шамасында газды беру басқышын басып тұру керек (Сур. 21).

► 7.1.6. Газды беру басқышын босатыңыз (Сур. 22).

Егер де электр энергиясы үзіліп қалса, немесе газ болмаса жылытқыш өшіп қалады. Жылытқыш автоматты түрде қайта қосылмайды, оны қолмен қайта қосу керек, қосу процедурасын қайталап. Егер де жылытқыш іске қосылмаса, сәйкес бөлімді қараңыз («12. АҚАУЛАР, СЕБЕПТЕРІ ЖӘНЕ ОЛАРДЫ ЖОЮ ЖОЛДАРЫ» параграфы).

►► 7.2. ЖЕЛДЕТУ РЕЖИМІ:

Қондырғыны желдеткіш ретінде пайдалануға болады. Қондырғыны тоқ көзіне жалғаңыз (Сур. 10) және «О/І» ажыратып-қосқышын «І» қалпына орнатыңыз (Сур. 18).

ЕСКЕРТУ: Қондырғы жылытқыш режимінде жұмыс істеп тұрған уақытта оны желдеткіш режиміне ауыстыру үшін оны өшіру үшін дұрыс жүйелілікті сақтап орындау керек (9 бөлім «ӨШІРУ»).

►►► 8. ЖЫЛУ ҚУАТЫН РЕТТЕУ

Жылу қуатын жылытқыш негізінде орналасқан ұстағыш көмегімен реттеуге болады (Сур. 23).

►►► 9. ӨШІРУ

► 9.1. Газ баллонының кранын жабу (Сур. 24).

► 9.2. Желдеткішті шамамен 60 с уақытқа жұмыс істеп тұрған қалпында қалдыру, қызып кету себебінен ішкі бұзылулардың алдын алу үшін (жылытқыштың ішкі салқындауы).

► 9.3. Ажыратқышты “О/І” қалпынан “О” қалпына ауыстыру (Сур. 25).

► 9.4. Жылытқышты электр желісінің жүйесінен ажыратып (Сур. 26) және/немесе қайта зарядталатын аккумуляторды алып тастау немесе аккумуляторды жалғау (Сур. 27).

► 9.5. Жылытқыштан газды беретін трубаны ажыратып тастау (Сур. 28-29-30).

►►► 10. ТАЗАЛАУ МЕН КҮТУ

Қондырғы кем дегенде жылына бір рет сатудан кейінгі қызмет көрсету орталығының мамандарымен немесе талаптарға сәйкес дұрыс

істеуіне бақылануы керек. Маусым аяқталған соң қондырғыны тазалаған жөн.

► 10.1. Қандай да бір техникалық қызмет көрсету бойынша жұмыс, күту немесе жылытқышта жөндеу жұмыстарын жасар алдында, оны өшіру үшін дұрыс жүйелілікті сақтап орындау керек (9 бөлім «ӨШІРУ»).

► 10.2. Тазалауға тек қана жылытқыштың ауа алғышы ғана жатады (артқы бөлігі).

► 10.3. Маусым басталар алдында газ сымдары немесе электр тогының сымдарының жарылып қалмағандығына көз жеткізу керек. Егер де қандай да бір күмәнділік пайда болатын болса сатудан кейінгі қызмет көрсету орталығына хабарласу керек.

► 10.4. Санкцияланбаған жұмыстарды орындауға болмайды.

►►► 11. АККУМУЛЯТОРДЫ САҚТАУ МЕН ТАСЫМАЛДАУ

АККУМУЛЯТОРДЫ ТӨМЕН ТЕМПЕРАТУРАСЫ БАР ЖЕРЛЕРДЕ ҰЗАҚ УАҚЫТ МЕРЗІМІНДЕ САҚТАУҒА БОЛМАЙДЫ.

Қайта зарядталатын литийлі аккумуляторлар қауіпті жүктерге жататын нормалар күшіне кіреді. Пайдаланушы қайта зарядталатын аккумуляторларды қосымша сақтану шараларын пайдаланбай жол көлігімен тасымалдай алады. Егер де үшінші адамдармен тапсырылған тасымалдау болса (мысалы әуе тасымалы және/немесе экспедициялық агенттік), әрекеттегі нормалардың талаптарын орындау қажет. Қайта зарядталатын аккумуляторларды, тек қана олардың корпустары бүтін болса ғана, жіберу. Жабысқақ лентамен контактілерді жыбыстырып және қайта зарядталатын аккумуляторды ол қорапқа қозғалмайтындай бекітіліп тұратындай қорапқа салу керек. Сонымен қатар басқа да мемлекеттік нормаларды сақтауыңызды сұраймыз.

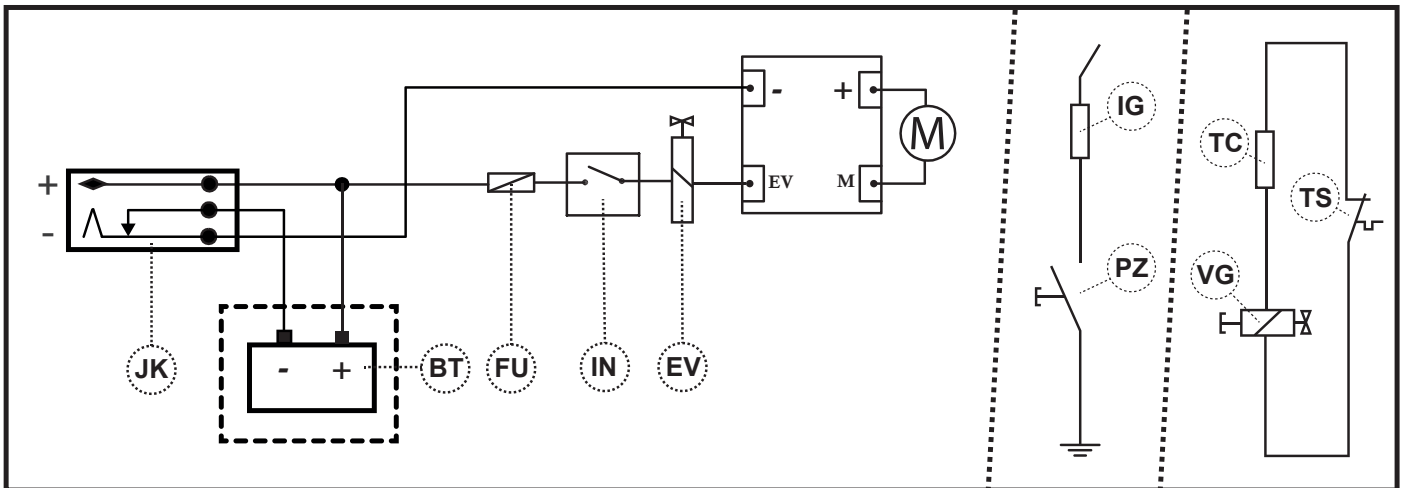
►►► 12. АҚАУЛАР, СЕБЕПТЕР ЖӘНЕ ОЛАРДЫҢ АЛДЫН АЛУ ӘРЕКЕТТЕРІ

en

ФУНКЦИОНАЛДАНУДЫҢ АҚАУЛАРЫ	СЕБЕПТЕРІ	АЛДЫН АЛУ ӘРЕКЕТТЕРІ
Қозғалтқыш іске қосылмайды	Нәрлену жоқ (егер де электр желісінің жүйесіне қосылса)	1.Электр желісінің жүйесін тексеру 2.Техникалық көмек қызметі
	Аккумулятор разрядталған (егер нәрлену аккумулятордан болса)	1.Аккумуляторды зарядтау 2.Техникалық көмек қызметі
	Нәрлендіру блогының ақауы немесе аккумулятордың	Техникалық көмек қызметі
	Қозғалтқыш жарамсыз	Техникалық көмек қызметі
От жанбайды	Газ баллонында газ бітіп қалды	Газ баллонын ауыстыру (Пар. 5)
	Реттегіштің сақтандырғыш клапаны блоктанған	1.Реттегіштің газы блоктан шығару басқышын басу (Сур. 13) 2.Техникалық көмек қызметі
	Газ баллонының краны жабық	Газ баллонының кранын ашу (Сур. 12)
	Қосу контуры ақауланған	Техникалық көмек қызметі
От жанып тұрмайды	Газды беру басқышы ұзақ уақыт ұсталып тұрмайды	Газды беру басқышын ұзағырақ ұстап тұру (Пар. 7.1.5)
	Жылытқыштың ақауы бар	Техникалық көмек қызметі
Қондырғы жұмыс істеп тұрған уақытта от өшіп қалады	Газдың жеткіліксіз берілуі	1.Газ баллонын ауыстыру (Пар. 5) 2.Техникалық көмек қызметі
	Жылытқыш қызып кетті	1.Ауа алғышты тазарту (артқы бөлігі) 2.Техникалық көмек қызметі
	Жылытқыш ақауланған	Техникалық көмек қызметі

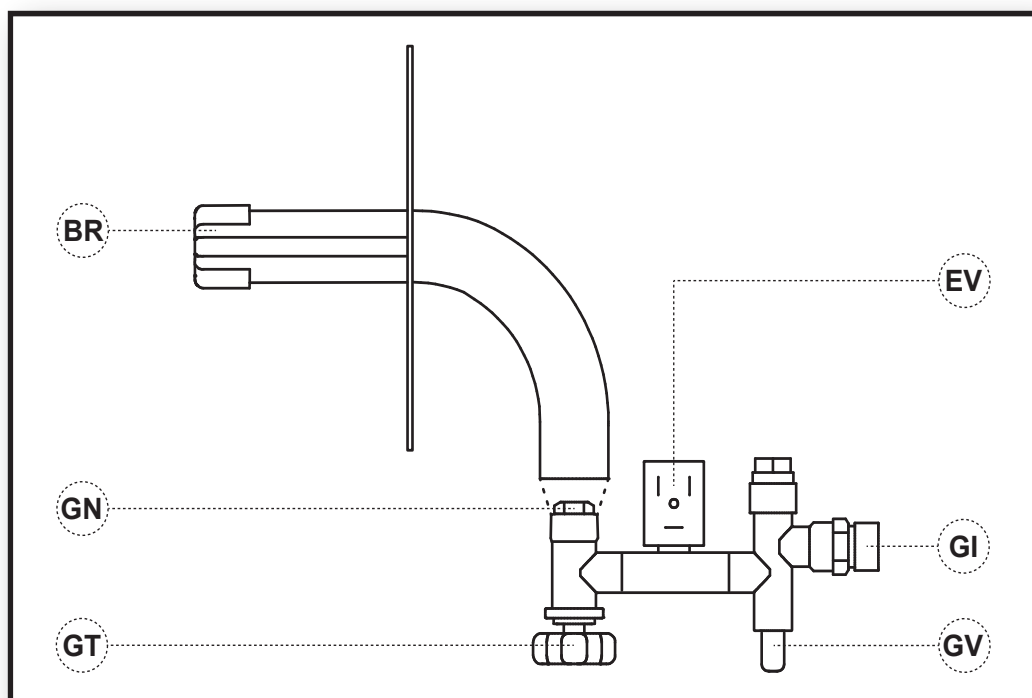
kk

**ELECTRIC SYSTEM - IMPIANTO ELETTRICO - ELEKTRISCHE ANLAGE
 - INSTALACIÓN ELÉCTRICA - INSTALLATION ELECTRIQUE - ELEKTRIS-
 SCHE INSTALLATIE - SISTEMA ELÉTRICO - EL-ANLÆG - SÄHKÖLAIT-
 TEISTO - ELEKTRISK ANLEGG - ELANORDNING - INSTALACJA
 ELEKTRYCZNA - ЭЛЕКТРОПРОВОДКА - ELEKTRICKÉ ZAŘÍZENÍ -
 ELEKTROMOS RENDSZER - ELEKTRIČNA NAPELJAVA - ELEKTRİK TE-
 SİSATI - ELEKTRIČNI UREĐAJ - ELEKTROS SISTEMA - ELEKTRISKĀ
 SISTĒMA - ELEKTRISÜSTEEM - INSTALAȚIA ELECTRICĂ - ELEKTRICKÉ
 ZARIADENIE - ЭЛЕКТРИЧЕСКА ИНСТАЛАЦИЯ - ЕЛЕКТРИЧНЕ
 ОБЛАДНАННЯ - ELEKTRIČNI UREĐAJ - ΗΛΕΚΤΡΙΚΗ ΕΓΚΑΤΑΣΤΑΣΗ - 电
 路系统 - ЭЛЕКТРЖЕЛІСІ**



IN	Switch - Interruttore - Schalter - Interruptor - Interrupteur - Schakelaar - Interruptor - Afbryder - Katkaisin - Bryter - Brytare - Włącznik - Включатель - Vyrínač - Kapcsoló - Stikalo - Açma karama düğmesi - Prekidač - Jungiklis - Slēdzis - Lüliiti - Įtrerupātor - Vyrínač - Прекъсвач - Вимикач - Prekidač - Διακόπτης - 开关 - Қосқыш
M	Motor - Motore - Motor - Motor - Moteur - Motor - Motor - Motor - Moottori - Motor - Motor - Silnik - Двигатель - Motor - Motor - Motor - Motor - Motor - Variklis - Dzinējs - Mootor - Motor - Motor - Двигател - Двигун - Motor - Κινητήρας - 电机 - Мотор
EV	Solenoid valve - Elettrovalvola - Elektroventil - Electroválvula - Électrovalve - Elektroklep - Eletroválvula - Magnetventil - Solenoidiventtiili - Magnetventil - Magnetventil - Zawór elektromagnetyczny - Соленоид - Elektrický ventil - Mágnesszelep - Elektromagnetni ventil - Elektrovalf - Električni ventil - Elektrinis vožtuvas - Elektrovārsts - Solenoidventiil - Electrovalvă - Elektrický ventil - Электрочлапан - Электрочлапан - Električni ventil - Ηλεκτροβαλβίδα - 电磁阀 - Электромагнитті клапан
IG	Igniter - Accenditore - Anzündler - Encendedor - Allumeur - Ontsteker - Acendedor - Tænder - Sytytin - Tenner - Tändare - Zapalnik - Зажигатель - Zapalovač - Begyújtó kacsoló - Vžigalo - Ateşleyici - Uraljač - Uždegiklis - Uguns slēdzis - Süütur - Aprinzător - Zapalovač - Запалване - П'єзоелектричний - Uraljač - Έναυσμα - 点火器 - Воспламенитель
PZ	Piezoelectric - Piezoelettrico - Piezoelektrisch - Piezoeléctrico - Piézoélectrique - Piëzoelektrisch - Piezoeléctrico - Piezoelektrisk - Pietsosähkö - Piezoelektrisk - Pizoelektrisk - Piezoelektryczny - Пьезоэлектрический - Piezoelekt. komp. - Pizoelektromos kacsoló - Piezoelektrično vžigalo - Piezoelektrik - Piezoelektrični dio - Pjezoelektrinis įtaisas - Pjezoelektriskā ierīce - Piesoelektriline - Piezoelectric - Piezoelekt. komp. - Пьезоэлектрическа - Запальник - Piezoelektrični - Πιεζοηλεκτρικό - 压电开关 - Пьезоэлектрические
TC	Thermocouple - Termocoppia - Thermoelement - Termopar - Thermocouple - Thermokoppel - Termopar - Thermoelement - Lämpöpari - Thermoelement - Thermoelement - Przewód termoelektryczny - Термоэлектрический провод - Termočlánek - Hőelem - Termočlen - Isılçift - Termopar - Termopora - Thermoelements - Thermoelement - Termocuplu - Termočlánok - Термодвойка - Термопара - Termopar - Θερμοστοιχείο - 热电偶 - Термопара
VG	Gas valve - Valvola gas - Gasventil - Válvula de gas - Soupape de gaz - Gasklep - Válvula do gás - Gasventil - Kaasuventtiili - Gassventil - Gasventil - Zawór gazu - Вентиль газа - Plynový ventil - Gázszelep - Plinski ventil - Gaz vanası - Plinski ventil - Dujų vožtuvas - Gāzes vārsts - Gaasiklapp - Valvă gaz - Plynový ventil - Газов клапан - Газовий клапан - Plinski/gasni ventil - Βαλβίδα φυσικού αερίου - 燃气阀门 - Газ клапаны
TS	Safety thermostat - Termostato sicurezza - Sicherheitsthermostat - Termostato de seguridad - Thermostat de sécurité - Veiligheidsthermostaat - Termóstato de segurança - Sikkerhedsthermostat - Turvatermostaatti - Sikkerhetsthermostat - Säkerhetsthermostat - Termostat bezpieczeństwa - Термостат безопасности - Bezpečnostní termostat - Biztonsági termosztát - Varnostni termostat - Emniyet termostati - Sigurnosni termostat - Apsaugos termostatas - Drošības termostats - Ohutusthermostaat - Termostat de siguranță - Bezpečnostný termostat - Предпазен термостат - Запобіжний термостат - Sigurnosni termostat - Θερμοστάτης ασφαλείας - 过热保护 - Қауіпсіздік термостат
JK	Connector - Connettore - Verbinder - Conector - Connecteur - Connector - Conector - Tillslutning - Liitin - Konnektor - Kontakt - Złącze - Коннектор - Konektor - Csatlakozó - Konektor - Konnektör - Konektor - Jungtis - Savienotājs - Konnektor - Conector - Konektor - Конектор - З'єднувач - Konektor - Συνδέτης - 连接器 - Коннектор
BT	Battery - Batteria - Batterie - Batería - Batterie - Batterij - Bateria - Batteri - Akku - Batteri - Batteri - Akumulator - Аккумулятор - Batterie - Akkumulátor - Baterija - Batarya - Baterija - Baterija - Akumulators - Aku - Batterie - Bateria - Акумулятор - Батарея - Baterija - Μπαταρία - 电池 - Аккумулятор
FU	Fuse - Fusibile - Schmelzsicherung - Fusibile - Fusée - Veiligheid - Fusível - Sikring - Sulake - Fuse - Säkring - Bezpiecznik - Предохранитель - Pojistka - Biztosíték - Fuse - Sigorta - Osigurač - Saugiklių - Drošinātājs - Kaitse - Siguranță - Poistka - Предпазител - Запобіжник - Fuse - Ασφάλεια - 保险丝 - Сақтандырғыш

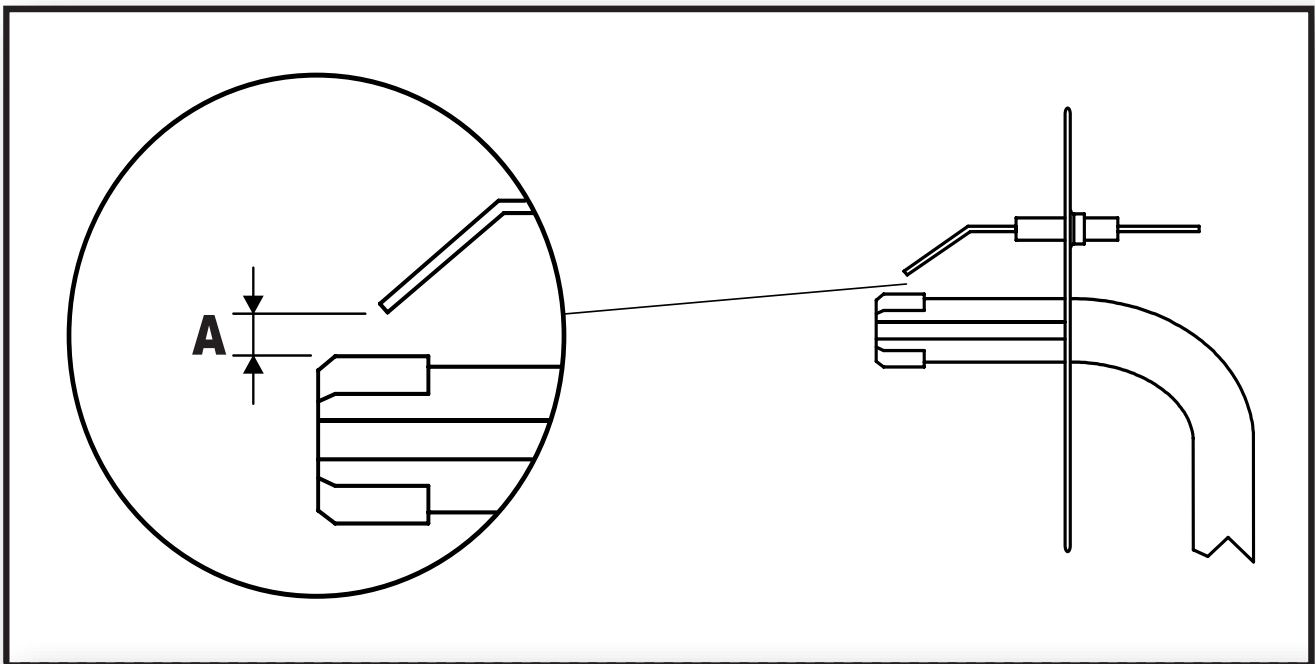
**GAS PLANT - IMPIANTO GAS - GASANLAGE - INSTALACIÓN DE GAS -
SYSTÈME À GAZ - GASINSTALLATIE - SISTEMA DO GÁS - GAS-ANLÆG
- KAASULAITTEISTO - GASSANLEGG - GASANORDNING - INSTALACJA
GAZOWA - ГАЗОВАЯ СИСТЕМА - PLYNOVÉ ZAŘÍZENÍ - GÁZ HÁLÓZAT
- PLINSKI SISTEM - GAZ TESİSATI - UREĐAJ NA PLIN - DUJÛ SISTEMA
- GĀZES SISTĒMA - GAASISÛSTEEM - INSTALAȚIA DE GAZ - PLYNOVÉ
ZARIADENIE - ГАЗОВА ИНСТАЛАЦІЯ - ГАЗОВЕ ОБЛАДНАННЯ -
PLINSKI/GASNI UREĐAJ - ΕΓΚΑΤΑΣΤΑΣΗ ΦΥΣΙΚΟΥ ΑΕΡΙΟΥ - 供气图 -
ГАЗ ЖУЙЕСІ**



**GAS PLANT - IMPIANTO GAS - GASANLAGE - INSTALACIÓN DE GAS -
 SYSTÈME À GAZ - GASINSTALLATIE - SISTEMA DO GÁS - GAS-ANLÆG
 - KAASULAITTEISTO - GASSANLEGG - GASANORDNING - INSTALACJA
 GAZOWA - ГАЗОВАЯ СИСТЕМА - PLYNOVÉ ZAŘÍZENÍ - GÁZ HÁLÓZAT
 - PLINSKI SISTEM - GAZ TESÍSATI - UREĐAJ NA PLIN - DUJŮ SISTEMA
 - GĀZES SISTĒMA - GAASISŪSTEEM - INSTALAȚIA DE GAZ - PLYNOVÉ
 ZARIADENIE - ГАЗОВА ИНСТАЛАЦИЯ - ГАЗОВЕ ОБЛАДНАННЯ -
 PLINSKI/GASNI UREĐAJ - ΕΓΚΑΤΑΣΤΑΣΗ ΦΥΣΙΚΟΥ ΑΕΡΙΟΥ - 供气图 -
 ГАЗ ЖҮЙЕСІ**

GI	Gas inlet fitting - Raccordo entrata gas - Anschluss Gaszufuhr - Racor de entrada del gas - Raccord entrée gaz - Koppeling gasingang - Ligação da entrada de gás - Gastilførselssamling - Kaasun sisäänmenoliitos - Kobling gassinnløp - Kopplingsrör gasinlopp - Wlot gazu złączka - Вход газа ниппель - Spoj přívod plynu - Bemenő oldali gázcsanak - Vhodni priključek za plin - Gaz giriş rakoru - Spojnica ulaza za plin - Dujų įleidimo jungtis - Gāzes ieejas savienojums - Gaasi sissevooluliitmik - Racord intrare gaz - Spoj przywod plynu - Съединение подаване газ - Патрубок подачи газу - Plinska/gasna ulazna spojka - Σύνδεση εισόδου φυσικού αερίου - 进气套件 - Газ қүятын фитингтер
GV	Gas valve - Valvola gas - Gasventil - Válvula de gas - Valve du gaz - Gasklep - Válvula do gás - Gasventil - Kaasuventtiili - Gassventil - Gasventil - Zawór gazu - Вентиль газа - Plynový ventil - Gázszelep - Plinski ventil - Gaz vanası - Ventil za plin - Dujų vožtuvas - Gāzes vārsts - Gaasiklapp - Valvã gaz - Plynový ventil - Газов клапан - Газовий клапан - Plinski/gasni ventil - Βαλβίδα φυσικού αερίου - 气阀 - Газ клапаны
EV	Solenoid valve - Electrovalvola - Elektroventil - Electroválvula - Électrovalve - Elektroklep - Eetroválvula - Magnetventil - Solenoidiventtiili - Magnetventil - Magnetventil - Zawór elektromagnetyczny - Соленоид - Elektrický ventil - Mágnesszelep - Elektromagnetni ventil - Elektrovalf - Električni ventil - Elektrinis vožtuvas - Elektrovārsts - Solenoidventiil - Electrovalvã - Elektrický ventil - Електроклапан - Електроклапан - Električni ventil - Ηλεκτροβαλβίδα - 电磁阀 - Электромагнитті клапан
GT	Gas cock - Rubinetto gas - Gashahn - Llave de gas - Robinet du gaz - Gaskraan - Torneira do gás - Gashane - Kaasuhana - Gasskran - Gaskran - Kurek gazu - Краник газа - Plynový kohout - Gázcsap - Plinska pipa - Gaz musluğu - Slavina za plin - Dujų kranelis - Gāzes krāns - Gaasikraan - Robinet de gaz - Plynový kohútik - Кран за газ - Газовий вентиль - Slavina za plin/gas - Στρόφιγγα φυσικού αερίου - 燃气开关 - Газ краны
GN	Gas nozzle - Ugello gas - Gasdüse - Tobera de gas - Gicleur gaz - Gasstraalpijp - Bico ejetor de gás - Gasdyse - Kaasusuutin - Gassdyse - Gasmunstycke - Dysza gazu - Сопло газа - Plynová tryska - Gáz fúvóka - Plinska šoba - Gaz nozulu - Mlaznica plina - Dujų purkštukas - Gāzes izplūdes caurums - Gaasidüüs - Duzã gaz - Plynová tryska - Дюза за газ - Газова форсунка - Mlaznica plina/gasa - Ακροφύσιο φυσικού αερίου - 进气口 - Газ саптама
BR	Burner - Bruciatore - Brenner - Quemador - Bruleur - Brander - Queimador - Brænder - Poltin - Brenner - Brännare - Palnik - Горелка - Hořák - Égő - Gorilnik - Brülör - Plamenik - Degiklis - Deglis - Põleti - Arzător - Horák - Горелка - Пальник - Gorionik - Καυστήρας - 燃烧器 - Оттық

ELECTRODES REGULATION - REGOLAZIONE ELETTRUDI - REGULIERUNG DER ELEKTRODEN - REGULACIÓN DE LOS ELECTRODOS - REGULATION DES ELECTRODES - AFSTELLING ELEKTRODEN - REGULAÇÃO DE ELÉTODOS - REGULERING AF ELEKTRODER - ELEKTRODIEN SÄÄTÖ - REGULERING AV ELEKTRODER - ELEKTRODREGLERING - REGULACJA ELEKTROD - РЕГУЛЯЦИЯ ЭЛЕКТРОДОВ - NASTAVENÍ ELEKTROD - AZ ELEKTRÓDÁK BEÁLLÍTÁSA - NASTAVITEV ELEKTROD - ELEKTROT AYARI - REGULIRANJE ELEKTRODA - ELEKTRODU REGULIAVIMAS - ELEKTRODU REGULĚŠANA - ELEKTROODIDE REGULEERIMINE - REGLAREA ELECTROZILOR - NASTAVENIE ELEKTRÓD - РЕГУЛІРАНЕ ЕЛЕКТРОДИ - РЕГУЛЮВАННЯ ЕЛЕКТРОДОВ - KONTROLA ELEKTRODE - ΡΥΘΜΙΣΗ ΗΛΕΚΤΡΟΔΙΩΝ - 电极规定 - ЭЛЕКТРОДТАРДЫ РЕТТЕУ



A = 4÷6 mm



CE CONFORMITY CERTIFICATE - DICHIARAZIONE DI CONFORMITÀ CE - EG-KONFORMITÄTSERKLÄRUNG - DECLARACIÓN DE CONFORMIDAD CE - DECLARATION DE CONFORMITE CE - EG-CONFORMITEITVERKLARING - DECLARAÇÃO DE CONFORMIDADE CE - EU-OVERENSSTEMMELSESERKLÆRING - EY-VAATIMUSTENMUKAISUUSVAKUUTUS - CE-SAMSVARSERKLÆRING - EG-FÖRSÄKRAN OM ÖVERENSSTÄMMELSE - DEKLARACJA ZGODNOŚCI WE - ДЕКЛАРАЦИЯ О СООТВЕТСТВИИ CE - PROHLÁŠENÍ O SHODĚ CE - EK MEGFELELŐSÉGI NYILATKOZAT - IZJAVA O SKLADNOSTI IN OZNAKA CE - CE UYGUNLUK BEYANI - IZJAVA CE O SUKLADNOSTI - ES ATITIKTIES DEKLARACIJA - EK ATBILSTĪBAS - DEKLARĀCIJA - EÜ VASTAVUSDEKLARATSIOON - DECLARAȚIE DE CONFORMITATE CE - PREHLÁSENIE O ZHODE CE - ДЕКЛАРАЦИЯ ЗА СЪВМЕСТИМОСТ CE - ДЕКЛАРАЦІЯ ВІДПОВІДНОСТІ CE - IZJAVA CE O PRIKLADNOSTI ΔΗΛΩΣΗ ΣΥΜΜΟΡΦΩΣΗΣ CE - CE 符合性声明

MCS ITALY S.p.A. Via Gardesana 11, -37010- Pastrengo (VR), ITALY

Product: - Prodotto: - Produkt: - Producto: - Produit: - Product: - Produto: - Produkt: - Tuote: - Produkt: - Produkt: - Produkt: - Изделие: - Výrobek: - Termék: - Izdelek: - Ürün: - Proizvod: - Gaminys: - Ieīce: - Toode: - Produsul: - Výrobok: - Продукт: - Виріб: - Proizvod: - Προϊόν: - 产品:

17M DC

We declare that it is compliant with: - Si dichiara che è conforme a: - Es wird als konform mit den folgenden Normen erklärt: - Se declara que está en conformidad con: - Nous déclarons sa conformité à: - Hierbij wordt verklaard dat het product conform is met: - Declara-se que está em conformidade com: - Vi erklærer at produktet er i overensstemmelse med: - Vakuutetaan olevan yhdenmukainen: - Man erklærer at apparatet er i overensstemmelse med: - Härmed intygas det att produkten är förenlig med följande: - Oświadczam, że jest zgodny z: - Заявляем о соответствии требованиям: - Prohlašuje se, že je v souladu s: - Kijelentjük, hogy a termék megfelel az alábbiaknak: - Izpolnjuje zahteve: - Aşağıdaki standartlara uygun olduğunu beyan ederiz: - Izjavljuje se da je u skladu s: - Pareiškiame, kad atitinka: - Tiek deklarēts, ka atbilst: - Käesolevaga deklareeritakse, et toode vastab: - Declarăm că este conform următoarelor: - Prehlasuje sa, že je v súlade s: - Декларира се че отговаря на: - Відповідає вимогам: - Izjavljuje se da je u skladu s: - Δηλώνουμε ότι είναι σύμφωνο με: - 兹证明符合:

2009/142/EC, 2014/30/EU, 2014/35/EU, 2009/125/EC

**EN 1596, EN 55014-1, EN 55014-2, EN 61000-3-2, EN 61000-3-3,
EN 62233, EN 60335-1, EN 60335-2-102**

Pastrengo, 15/02/2017

Stefano Verani (CEO MCS Group)

► en - LIMITED WARRANTY AND AFTER-SALES SERVICE

KEEP THIS LIMITED WARRANTY

During the period of twelve (12) months starting from the date of purchase of this product, the manufacturer guarantees that the appliance, all of its parts, do not have flaws due to manufacturing or the materials used, as long as the appliance has been used following the instructions and maintenance indicated in the manual. This warranty is only valid for the original purchaser of the appliance, which must present the purchase invoice. This warranty only includes the cost of the parts necessary to return the appliance to its normal functioning state. Therefore, costs relative to transport or other material associated with the parts covered by this warranty are excluded. The faults produced by incorrect use, manipulation, negligence, insufficient maintenance, alterations, modifications, normal wear of the product are not covered by this warranty, as also the use of non-compliant fuel, repairs using non-original spare parts or repairs performed by staff not working for the dealer or the authorised technical after-sales service. Routine maintenance is the owner's responsibility. The manufacturer does not guarantee, nor is directly or indirectly responsible, for any other warranty including that of a commercial nature or for appropriation for a particular use. In no case is the manufacturer liable for direct, indirect, accidental or consequent damage, deriving from use of the appliance. The manufacturer reserves the right to modify this warranty at any time and without forewarning. This is the only valid warranty. The manufacturer does not assume any expressed or implicit warranty.

► it - GARANZIA LIMITATA E SERVIZIO ASSISTENZA SERVICE

CONSERVARE LA PRESENTE GARANZIA LIMITATA

Durante il periodo di dodici (12) mesi a partire dalla data di acquisto di questo prodotto, il costruttore garantisce che l'apparecchio, come ogni sua parte, non presenta difetti dovuti alla fabbricazione o ai materiali utilizzati, sempre che lo stesso sia stato usato seguendo le istruzioni di funzionamento e mantenimento indicate nel manuale. La presente garanzia si estende unicamente al compratore originale dell'apparecchio, il quale dovrà presentare la fattura di acquisto. La presente garanzia include solo il costo delle parti necessarie per restituire l'apparecchio nel suo stato normale di funzionamento. Restano pertanto esclusi i costi relativi ai trasporti o altro materiale associato con le parti coperte dalla presente garanzia. Sono escluse dalla copertura di garanzia, le avarie prodotte da errato uso, manipolazioni, negligenza, manutenzione insufficiente, alterazioni, modificazioni, normale usura del prodotto, così anche per l'uso di combustibile non conforme, riparazioni con ricambi inadeguati o per riparazioni fatte da personale differente dal distributore o dal servizio tecnico autorizzato. La normale manutenzione è a carico del proprietario. Il costruttore non garantisce, né si fa carico diretto o indiretto, di nessuna altra garanzia inclusa quella di carattere commerciale o per l'appropriazione per una particolare utilizzazione. In nessun caso il costruttore sarà responsabile per i danni diretti, indiretti, accidentali o conseguenti, derivanti dall'uso dell'apparecchio. Il costruttore si riserva il diritto di modificare in qualsiasi momento e senza preavviso la presente garanzia. L'unica garanzia valida è la presente scrittura, il costruttore non assume nessuna garanzia espressa o implicita.

► de - BESCHRÄNKTE GARANTIE UND KUNDENDIENST

VORLIEGENDE BESCHRÄNKTE GARANTIE GUT AUFBEWAHREN

Während der Garantie von zwölf (12) Monaten, ab Kaufdatum dieses Produkts, garantiert die Herstellerfirma, dass das Gerät und seine Bauteile keine Defekte verursacht durch Herstellung oder aufgrund verwendeter Materialien aufweist. Voraussetzung hierfür ist die Befolgung der im Handbuch angegebenen Betriebs- und Wartungsanleitungen. Die vorliegende Garantie gilt ausschließlich für die ursprünglichen KäuferInnen des Geräts. Hierfür muss die Rechnung vorgelegt werden. Eingeschlossen von der vorliegenden Garantie sind nur die Kosten für die Bauteile, welche notwendig sind, damit das Gerät seinen ordnungsgemäßen Betrieb wieder aufnehmen kann. Ausgeschlossen von der Garantie sind Transportkosten oder Kosten für Materialien, welche an die von der Garantie abgedeckten Bauteile gebunden sind. Ausgeschlossen von der Garantie sind Schäden die durch falschen Gebrauch, nicht autorisierte Eingriffe und Veränderungen, Vernachlässigung sowie unzureichende Wartung, Modifizierungen und die normale Abnutzung des Produkts verursacht werden. Gleichmaßen ausgeschlossen sind Schäden, die durch die Verwendung von nicht geeigneten Brennstoffen sowie Reparaturen mit Verwendung ungeeigneter Ersatzteile oder durchgeführt von Personen, die nicht zur Herstellungsfirma oder autorisierten Kundendiensten gehören. Die normale Wartung liegt in der Verantwortung der BesitzerInnen. Die Herstellerfirma gibt keine weitere direkte oder indirekte Garantie bezüglich des Vertriebs oder des Einsatzes für eine spezielle Verwendung des Geräts. In keinem Fall übernimmt die Herstellerfirma die Verantwortung für direkte oder indirekte Schäden, Unfälle oder Folgen, die durch den Gebrauch des Gerätes entstehen können. Die Herstellerfirma behält sich das Recht vor zu jeder Zeit und ohne Vorankündigung die vorliegende Garantie ändern zu können. Das vorliegende Schriftstück ist die einzig gültige Garantie und die Herstellerfirma übernimmt keine weitere ausdrückliche oder implizierte Garantie.

► es - GARANTÍA LIMITADA Y SERVICIO DE ASISTENCIA SERVICE

CONSERVE LA PRESENTE GARANTÍA LIMITADA

Durante el período de doce (12) meses a partir de la fecha de compra de este producto, el fabricante garantiza que el equipo, y todas sus partes, no presentan defectos debidos a la fabricación o a los materiales empleados, siempre que el mismo se use en el respeto de las instrucciones de funcionamiento y mantenimiento indicadas en el manual. Esta garantía se extiende solo al comprador original del equipo, el cual debe presentar la factura de compra. La presente garantía incluye solo el coste de las partes necesarias para que el equipo vuelva a funcionar normalmente. Por lo tanto se excluyen los costes relativos a los transportes o a otro material asociado con las partes cubiertas por la garantía. La garantía no cubre las averías producidas por el uso incorrecto, las manipulaciones, la negligencia, el mantenimiento insuficiente, las alteraciones, las modificaciones, el desgaste normal del producto, el uso de un combustible no conforme, las reparaciones con recambios inadecuados o las reparaciones hechas por personal diferente del distribuidor o del servicio técnico autorizado. El mantenimiento ordinario es a cargo del propietario. El fabricante no

garantiza, ni se hace cargo directo o indirecto de ninguna otra garantía incluyendo la de carácter comercial o por la apropiación de un uso particular. El fabricante no es responsable por ninguna razón de los daños directos, indirectos, accidentales o consiguientes, debidos al uso del equipo. El fabricante se reserva el derecho de modificar la presente garantía en cualquier momento y sin previo aviso. La única garantía válida es la presente escritura, el fabricante no asume ninguna garantía expresa o implícita.

► fr - GARANTIE ET SERVICE APRES-VENTE
CONSERVER CETTE GARANTIE LIMITÉE

Pendant une durée de douze (12) mois à partir de la date de l'achat de ce produit, le constructeur garantit que l'appareil, comme tout élément qui le compose, sont exempts de vices de matière et défauts de main d'œuvre, à condition que l'appareil fonctionne et soit entretenu conformément aux instructions de fonctionnement et de maintenance illustrées dans ce manuel. Cette garantie s'étend uniquement au premier acheteur de l'appareil, qui devra présenter la facture d'achat. La présente garantie inclut seulement le cout des parties nécessaires pour restituer l'appareil dans son normal état de fonctionnement. Sont exclus donc le cout relatif au transport ou autre matériel associé avec des parties couvertes par la présente garantie. Cette garantie ne couvre pas les défauts qui résultent d'une utilisation abusive, de mauvais traitement, de négligences, d'accidents, d'absence d'entretien correct, ni l'usure normale, la modification, l'altération, l'utilisation de combustible non conforme, les réparations à l'aide de pièce inadéquate ou les réparations par une autre personne que le revendeur ou le service après vente autorisé. L'entretien normal s'opère sous la responsabilité du propriétaire. Le constructeur ne garantit pas ni prend en charge directement ou indirectement de tout autre garantie incluse la garantie commerciale ou d'appropriation pour une utilisation particulière. Le constructeur ne prend aucune responsabilité pour les dommages directs, indirect, incidents ou conséquents, qui dérivent de l'utilisation de l'appareil. Le constructeur se réserve le droit de modifier les présentes spécifications à tout moment quelconque sans préavis. La seule garantie applicable est cette garantie écrite. Le constructeur ne fait aucune garantie expresse ou implicite.

► nl - BEPERKTE GARANTIE EN TECHNISCHE DIENST
ONDERHAVIGE BEPERKTE GARANTIE MOET WORDEN BEWAARD

Gedurende een periode van twaalf (12) maanden vanaf de datum van aankoop van dit product garandeert de constructeur dat het toestel evenals elk onderdeel ervan geen defecten vertoont te wijten aan fabricatiefouten of aan de gebruikte materialen, zolang het toestel gebruikt wordt volgens de instructies voor werking en onderhoud die in de handleiding worden gegeven. Deze garantie heeft enkel betrekking op de oorspronkelijke koper van het toestel, die de aankoopfactuur moet kunnen voorleggen. Deze garantie omvat enkel de kosten voor de onderdelen die nodig zijn om het toestel weer in zijn normale werkingsstatus te herstellen. De kosten met betrekking tot transport of ander materiaal dat betrekking heeft op de onderdelen die door deze garantie gedekt zijn, blijven van deze garantie uitgesloten. De schade die voortvloeit uit een foutief gebruik, forceren, veronachtzaming, onvoldoende onderhoud, aanpassingen, wijzigingen, en normale slijtage van het product zijn niet door de garantie gedekt, evenals schade door gebruik van brandstof die niet conform is, reparaties met ongeschikte wisselstukken of wegens reparaties uitgevoerd door ander personeel dan die van de verdeler of van de bevoegde technische dienst. Het gewone onderhoud is voor rekening van de eigenaar. De constructeur garandeert geen enkele andere garantie, en neemt die ook niet rechtstreeks of onrechtstreeks op zich, met inbegrip van commerciële garantie of voor de aanpassing voor een specifieke toepassing. De constructeur is in geen enkel geval verantwoordelijk voor rechtstreekse, onrechtstreekse, onopzettelijke of andere schade die voortvloeit uit het gebruik van het toestel. De constructeur behoudt zich het recht voor om op elk ogenblik en zonder vooraf te verwittigen deze garantie te wijzigen. De enige geldige garantie is dit geschreven document, de constructeur verzekert geen enkele speciale of impliciete garantie.

► pt - GARANTIA LIMITADA E SERVIÇO DE ASSISTÊNCIA SERVIÇO
CONSERVAR A PRESENTE GARANTIA LIMITADA

Durante o período de doze (12) meses a partir da data de aquisição deste produto, o fabricante garante que o aparelho, como suas partes, não apresenta defeitos devidos à fabricação ou materiais utilizados, desde que seja utilizado segundo as instruções de funcionamento e manutenção indicadas no manual. A presente garantia estende-se unicamente ao comprador original do aparelho, que deve apresentar a fatura de compra. A presente garantia inclui somente o custo das partes necessárias para restituir o aparelho em seu estado normal de funcionamento. Portanto, estão excluídos os custos referentes ao transporte ou outro material associado com as partes cobertas pela presente garantia. Estão excluídas da garantia as avarias produzidas por uso errado, manipulações, negligência, manutenção insuficiente, alterações, modificações, desgaste normal do produto, assim como para o uso de combustível não em conformidade, consertos com peças inadequadas ou por consertos feitos por pessoas que não sejam o distribuidor ou o serviço técnico autorizado. A normal manutenção é por conta do proprietário. O fabricante não garante, e não se responsabiliza direta ou indiretamente, por outras garantias, inclusive a de caráter comercial, ou por usos diversos. De modo algum o fabricante é responsável por danos diretos, indiretos, acidentais ou consequências devido ao uso do aparelho. O fabricante reserva-se o direito de efetuar modificações na presente garantia a qualquer momento e sem prévio aviso. Este documento representa a única garantia válida e o fabricante não assume nenhuma garantia expressa ou implícita.

► da - BEGRÆNSET GARANTI OG ASSISTANCESERVICE
GEM DENNE BEGRÆNSEDE GARANTI

I en periode på tolv (12) måneder fra købsdatoen garanterer fabrikanten, at apparatet og alle dets dele er fri for defekter i udførsel og materiale, forudsat at apparatet har været anvendt i overensstemmelse med manualens drifts- og vedligeholdelsesinstrukser. Denne garanti gælder udelukkende for den oprindelige køber, der skal fremvise købsfaktura. Garantien omfatter kun udgifter til

de reservedele, der er nødvendige for at bringe apparatet tilbage i normal driftstilstand. Fragtomkostninger og andet materiale forbundet med delene, der dækkes af denne garanti, er derfor ikke inkluderet. Garantien dækker ikke fejl, der skyldes forkert brug, misbrug, uagtsomhed, utilstrækkelig vedligeholdelse, ændringer, normalt slid samt anvendelse af ikke-egnet brændstof, reparationer udført med uegnede reservedele eller reparationer foretaget af andre end forhandlerens eller teknisk assistances personale. Den almindelige vedligeholdelse skal afholdes af ejeren. Fabrikanten garanterer eller påtager sig ikke direkte eller indirekte nogen anden garanti, herunder garantier for salgbarhed eller for egnethed til et bestemt formål. Fabrikanten kan under ingen omstændigheder holdes ansvarlig for direkte, indirekte, utilsigtede skader eller skader som følge af brug af apparatet. Fabrikanten forbeholder sig ret til at ændre nærværende garanti på et hvilket som helst tidspunkt og uden forudgående varsel. Kun den nærværende garanti er gyldig, fabrikanten påtager sig ingen udtrykkelige eller underforståede garantier.

► fi - RAJOITETTU TAKUU JA HUOLTOPALVELU
SÄILYTÄ TÄMÄ RAJOITETTU TAKUU

Valmistaja takaa kahdentoista (12) kuukauden ajalle tämän tuotteen hankintapäivästä lähtien, että laitteessa ja kaikissa siihen kuuluissa osissa ei esiinny valmistukseen tai käyttöihin materiaaleihin liittyviä vikoja jos sitä on käytetty käyttöoppaassa annettujen käyttö- ja huolto-ohjeiden mukaisesti. Tämä takuu annetaan yksinomaan alkuperäiselle laitteen hankkijalle, jonka todistuksena on oltava ostokuitti. Tämän takuun piiriin kuuluu vain tarvittavien osien hinta, jotta laitteen normaali toiminta saataisiin palautettua ennalleen. Toimitukseen tai muihin materiaaleihin liittyvät kustannukset eivät näin ollen kuulu tämän takuun piiriin. Takuun piiriin eivät kuulu tuotteen väärästä käytöstä, peukaloinnista, huolimattomuudesta, riittämättömästä huollosta, vaihdoista, muutoksista, tuotteen normaalista käytöstä kuten myös ei-yhdenmukaisen polttoaineen käytöstä, väärin tehdyistä korjaustoimenpiteistä tai muiden kuin jälleenmyyjän osoittamien huoltohenkilöiden tai valtuutetun teknisen huollon suorittamista korjaustoimenpiteistä aiheutuvat viat. Säännöllinen huolto kuuluu valmistajan tehtäväksi. Valmistaja ei takaa eikä vastaa suoraan tai epäsuoraan mistään muusta takuusta mukaan lukien kaupallinen takuu tai sen haltuunotto erityistä käyttöä varten. Missään tapauksessa valmistaja ei ole vastuussa suorista, epäsuorista, vahingossa syntyvistä tai laitteen käytöstä johtuvista vahingoista. Valmistaja pidättää oikeuden muuttaa tätä takuuta milloin tahansa ilman erillistä ilmoitusta. Kyseinen takuu on ainoa voimassa oleva. Valmistaja ei anna mitään nimenomaista tai viitteellistä takuuta.

► no - BEGRENSET GARANTI OG ETTERSALGSSERVICE
TA VARE PÅ DENNE GARANTIEN

I løpet av tolv (12) måneder fra salgsdatoen til dette produktet, garanterer produsenten at apparatet, og alle dens deler, ikke har feil på grunn av produksjon eller materialer som brukes, så lenge apparatet har vært brukt ved å følge instruksjonene for drift og vedlikehold angitt i manualen. Denne garantien er kun gyldig for den første kjøperen av apparatet som også må presentere fakturaen. Denne garantien omfatter kun kostnaden av de delene som er nødvendig for å sette apparatet tilbake i normal driftsstatus. Derfor er kostnader som gjelder transport eller annet materiale til de delene som dekkes av garantien utelatt. Feil som oppstår på grunn av feil bruk, manipulering, uaktsomhet, utilstrekkelig vedlikehold, endringer og normal slitasje av produktet omfattes ikke av denne garantien. Dette gjelder også ved bruk av feil brennstoff, reparasjoner som utføres med uegnede reservedeler eller reparasjoner som utføres av uautoriserte personer. Normalt vedlikehold er eierens ansvar. Produsenten garanterer ikke, og påtar seg heller ikke direkte eller indirekte ansvar for andre garantier, inkludert kommersielle garantier eller for tilegnelse for en bestemt bruk. Ikke i noe tilfelle er produsenten ansvarlig for direkte, indirekte, tilfeldige eller påfølgende skader, som stammer fra bruk av apparatet. Produsenten forbeholder seg retten til å endre denne garantien når som helst og uten forvarsel. Dette er den eneste gyldige garantien. Produsenten påtar seg ikke noe uttrykt eller underforstått garanti.

► sv - BEGRÄNSAD GARANTI OCH SUPPORT SERVICE
FÖRVARA DEN BEGRÄNSADE GARANTISEDELN

Under en tidsperiod om tolv (12) år från och med inköpsdatumet för produkten garanterar tillverkaren att apparaten och samtliga av dess delar inte uppvisar brister som kan tillskrivas tillverkningen eller använda material, på villkor att produkten har använts genom att följa instruktionerna för drift och underhåll som anges i manualen. Garantin täcker endast apparatens ursprungliga köpare som även bör uppvisa inköpsfaktura. Garantin täcker bara kostnaden för delar som krävs för att återställa apparaten till sitt normala driftsskick. Därmed utesluts kostnaderna för frakt eller för övriga material som förknippas med dem som täcks av denna garanti. Från garantitäckningen utesluts även produkter som använts felaktigt, manipuleringar, försumlighet, otillräckligt underhåll, försämringar, förändringar, normalslitage av produkten, såsom en oförenlig bränsleanvändning, reparationer med olämpliga reservdelar eller som ingår i reparationer som utförts av annan personal än återförsäljaren och den auktoriserade serviceteknikern. Det normala underhållet tillkommer kunden. Tillverkaren garanterar inte och tar inte heller direkt eller indirekt ansvar för någon annan garanti som ingår i den kommersiella garantin eller för ett beslagtagande för en viss användning. Tillverkaren är på inga villkor ansvarig för direkta, indirekta, oavsiktliga eller resulterande skador som uppkommit från en användning av apparaten. Tillverkaren förbehåller sig rätten att när som helst och utan förvarning ändra denna garanti. Denna skrift utgör den enda giltiga garantin och tillverkaren tar inte på sig någon uttrycklig eller implicit garanti.

► pl - OGRANICZONA GWARANCJA I SERWIS POSPRZEDAŻOWY
ZACHOWAJ NIENIEJSZĄ GWARANCJĘ

Producent zapewnia, że niniejszy produkt jest wolny od wad fabrycznych i udziela (12) miesięcznego okresu gwarancji od momentu zakupu produktu pod warunkiem, że urządzenie będzie eksploatowane i konserwowane zgodnie z zaleceniami zawartymi w

podręczniku użytkownika. Niniejsza gwarancja dotyczy wyłącznie oryginalnego zakupu i jest ważna tylko z fakturą sprzedaży. Gwarancja obejmuje tylko koszty części niezbędnych do przywrócenia urządzenia do stanu normalnego funkcjonowania. Niniejsza gwarancja nie obejmuje kosztów związanych z transportem lub innymi materiałami związanymi z częściami objętymi niniejszą gwarancją. Usterki wynikłe na skutek nieprawidłowej eksploatacji, zaniedbań, niedostatecznej konserwacji, przeróbek i modyfikacji, normalnego zużycia urządzenia jak również stosowania paliwa niezgodnego ze specyfikacją, napraw z użyciem nieoryginalnych części zamiennych lub napraw wykonanych przez osoby do tego nieupoważnione nie są objęte usługą gwarancyjną. Rutynowa konserwacja leży w gestii posiadacza urządzenia. Producent nie udziela gwarancji ani nie bierze bezpośredniej ani pośredniej odpowiedzialności za każdą inną wydaną gwarancję wliczając gwarancje natury handlowej. W żadnym wypadku producent nie ponosi odpowiedzialności za bezpośrednie, pośrednie, przypadkowe uszkodzenia wynikłe w trakcie użytkowania urządzenia. Producent zastrzega sobie prawo do zmiany niniejszej gwarancji w dowolnym czasie i bez uprzedniego zawiadomienia. Niniejsza gwarancja jest jedyną obowiązującą. Producent nie uznaje żadnej innej gwarancji wyrażonej lub dorozumianej.

► ru - ОГРАНИЧЕННАЯ ГАРАНТИЯ И ПОСЛЕПРОДАЖНОЕ СЕРВИСНОЕ ОБСЛУЖИВАНИЕ СОХРАНИТЕ ДАННУЮ ИНСТРУКЦИЮ НА БУДУЩЕЕ

Производитель гарантирует, что данный продукт не имеет фабричных дефектов и недостатков, и тем самым предоставляет на него 12-месячную гарантию от момента покупки продукта при условии, что прибор будет использоваться и проходить техобслуживание согласно рекомендациям, содержащимся в руководстве для пользователя. Данная гарантия распространяется исключительно на оригинальный купленный продукт и действительна только при наличии документа, подтверждающего покупку (инвойс). Гарантия распространяется только на части, необходимые для обеспечения прибора нормального состояния функционирования. Данная гарантия не предусматривает покрытие расходов, связанных с транспортом или другими материалами, связанными с частями, на которые данная гарантия распространяется. Гарантия не будет распространяться на неисправности, возникшие в результате неправильной эксплуатации, пренебрежительного отношения, неправильного техобслуживания, переработок и модификаций, нормального износа прибора, а также применения топлива, не соответствующего данным в спецификации, ремонтов с использованием неоригинальных запчастей или ремонтов, выполненных некомпетентными лицами. Обычные периодические работы по техобслуживанию относятся к сфере обязанностей владельца прибора. Производитель не предоставляет гарантии и не берет на себя ни косвенной, ни непосредственной ответственности за любую другую выданную гарантию, в том числе гарантию коммерческого характера. Ни в коем случае производитель не несет ответственности за непосредственные, косвенные, случайные повреждения, возникшие в процессе эксплуатации прибора. Производитель оставляет за собой право вносить изменения в данной гарантии в любой момент и без предварительного предупреждения. Данная гарантия является единственной действующей гарантией. Производитель не признает никакой другой гарантии, выраженной или подразумеваемой.

► cs - OMEZENÁ ZÁRUKA A ASISTENČNÍ SLUŽBA UCHOVÁVEJTE TUTO OMEZENOU ZÁRUKU

Během období dvanácti (12) měsíců od data nákupu tohoto produktu výrobce zaručuje, že zařízení, jako všechny jeho části, je bez vad vzniklých v důsledku výroby nebo použitých materiálů, za předpokladu, že samotný přístroj byl používán podle pokynů v příručce na provoz a údržbu. Tato záruka se vztahuje pouze na původního nákupce přístroje, který musí předložit fakturu o zakoupení. Tato záruka pokrývá pouze náklady dílů nezbytných pro navrácení výrobku do normálního stavu fungování. Proto vylučuje náklady na dopravu či dalších materiálů, spojených s částmi, na něž se vztahuje tato záruka. Ze záruky jsou vyloučena poškození, způsobená nesprávným používáním, nedbalostí, špatnou údržbou, modifikacemi a úpravami, běžným opotřebením výrobku; jakož i škody, zapříčiněné používáním nevhodného paliva, opravami s nevhodnými náhradními díly anebo opravami, prováděnými personálem odlišným od personálu prodejce anebo autorizované technické servisní služby. Běžná údržba je úkolem majitele. Výrobce nezaručuje ani nepřebírá, přímo či nepřímo, jakékoli jiné záruky, včetně záruky obchodní povahy anebo záruky pro přizpůsobení výrobku na zvláštní použití. Výrobce není v žádném případě odpovědný za jakékoliv přímé, nepřímé, náhodné nebo následné škody, vyplývající z použití zařízení. Výrobce si vyhrazuje právo kdykoliv a bez předchozího upozornění změnit tuto záruku. Jedinou platnou zárukou je tato písemná listina, výrobce neuznává žádnou jinou záruku, ani vyjádřenou, ani implicitní.

► hu - KORLÁTOZOTT JÓTÁLLÁS ÉS SZERVIZSZOLGÁLAT ŐRIZZE MEG AZ ALÁBBI JÓTÁLLÁST

A jótállás időtartama alatt (a vásárlás napjától számított 12 hónap) a gyártó garantálja, hogy a termék vagy annak egyes alkatrészei - amennyiben azokat a vevő rendeltetésszerűen használja - nem mutatnak gyártási vagy anyaghibát. A jelen jótállás csak a termék vásárlójára terjed ki, aki a jótálláshoz való jogával kizárólag a vásárlást igazoló számla felmutatása ellenében élhet. A jelen jótállás kizárólag a berendezés normál üzemi körülményeinek helyreállításához szükséges alkatrészek költségére terjed ki. Így nem terjed ki a szállítási vagy a jótállás tárgyát képező anyagok járulékos költségeire.

A jótállás nem terjed ki a nem megfelelő használatból, nem engedélyezett módosításokból, hanyagságból, elégtelen karbantartásból, változtatásokból eredő károokra vagy a normál üzemi körülmények között kopásnak kitett alkatrészekre. A berendezés időszakos karbantartását a vevő felelőssége elvégezni. A gyártó a termékre semmilyen további közvetett vagy közvetlen jótállást (beleértve a kereskedelmi természetű vagy különleges felhasználásra vállalt jótállásokat) nem vállal. A gyártó semmilyen a berendezés használatából eredő közvetett vagy közvetlen kárért ill. balesetért nem vonható felelősségre. A gyártó fenntartja magának a jogot, hogy a jelen jótállást a vevő előzetes megrendelése nélkül módosítsa.

Az egyetlen érvényes jótállást a jelen szerződés képezi, semmilyen egyéb szóbeli vagy hallgatólagosan beleértett jótállás nem érvényes.

► sl - OMEJENO JAMSTVO IN SERVISNA SLUŽBA
TO OMEJENO JAMSTVO SHRANITE

Proizvajalec jamči, da bo naprava in vsi njeni deli brezhibno delovali brez napak v izdelavi in materialih za dvanajst (12) mesecev po nakupu, vendar le v primeru uporabe naprave po navodilih glede delovanja in vzdrževanja, ki so navedena v tem priločniku. To jamstvo velja izključno za prvega kupca naprave, ob predložitvi računa. To jamstvo vključuje samo strošek delov, ki so potrebni za ponovno vzpostavitev normalnega delovnega stanja naprave. Ne vključuje pa stroškov za prevoz in drugi material, povezan z deli, ki jih to jamstvo ne krije. Jamstvo ne vključuje poškodb, ki bi bile posledica napačne uporabe ali ravnanja z napravo, malomarnosti, nezadostnega vzdrževanja, predelav, sprememb, običajne obrabe izdelka, kot tudi ne uporabe neprimerne goriva, popravil z neustreznimi nadomestnimi deli ali popravil s strani nepooblaščenih oseb oziroma takih, ki jih ne bi opravil pooblaščen prodajalec ali serviser. Redno vzdrževanje je v breme lastnika. Proizvajalec ne jamči kot tudi ne prevzema neposredne ali posredne odgovornosti za nobeno drugo obliko jamstva, vključno s komercialnim ali tistim za odobritev posebne vrste uporabe. Proizvajalec v nobenem primeru ne odgovarja za neposredne, posredne ali nenamerne poškodbe oziroma poškodbe, ki bi bile posledica ali ki bi nastale zaradi uporabe naprave. Proizvajalec si pridržuje pravico do sprememb tega jamstva kadarkoli in brez vnaprejšnjega obvestila. Edino veljavno jamstvo je ta dokument. Proizvajalec ne prevzema nikakršnega izrecnega ali implicitnega jamstva.

► tr - SINIRLI GARANTİ VE TEKNİK SERVİS HİZMETİ
İŞBU SINIRLI GARANTİ BELGESİNİ SAKLAYIN

Bu ürünün satın alındığı tarihten itibaren on iki (12) aylık süre boyunca, üretici firma cihazın ve bütün kısımlarının, kullanım kılavuzunda belirtilen çalıştırma ve bakım talimatlarına uygun şekilde kullanıldığı takdirde, üretime veya kullanılan malzemelere bağlı kusurlar bulundurmadiğini garanti eder. İşbu garantiden sadece cihazı satın alan kişi, ürünün faturasını ibraz ederek yararlanabilir. Söz konusu garanti, sadece cihazı normal işletimin koşullarına döndürmek için gerekli parçaların masraflarını kapsar. Dolayısıyla, nakliye veya garanti kapsamındaki parçalarla birlikte kullanılacak diğer malzemelerin masrafları garanti kapsamının dışındadır. Hatalı kullanım, manipülasyon, ihmal, yetersiz bakım, üründe yapılan değişiklikler, ürünün normal aşınması ve uygun olmayan yakıt kullanımı, uygun olmayan yedek parçalarla veya tedarikçi veya yetkili teknik servis dışındaki personel tarafından yapılan tamiratlardan kaynaklanan arızalar garanti kapsamının dışındadır. Cihazın normal bakımı satın alan kişinin sorumluluğudur. Üretici firma, ticari garanti veya özel bir kullanım için tahsisat dâhil olmak üzere başka hiçbir türlü garanti sağlamamakta ve ne doğrudan ne de dolaylı olarak sorumluluğunu almamaktadır. Üretici firma, hiçbir durumda cihazın kullanımından kaynaklanan doğrudan veya dolaylı, kaza eseri veya sonuç olarak meydana gelen hasarlara ait sorumluluk kabul etmemektedir. Üretici firmanın işbu garanti belgesini istediği zaman haber vermeksizin değiştirme hakkı saklıdır. Geçerli olan tek garanti işbu yazılı metindir, üretici firma başka açık ya da dolaylı olarak ifade edilen her türlü garantiyi reddeder.

► hr - OGRANIČENO JAMSTVO I SERVISNA SLUŽBA
ČUVAJTE OVO OGRANIČENO JAMSTVO

Tijekom perioda od dvanaest (12) mjeseci polazeći od datuma kupnje ovog proizvoda, proizvođač jamči da aparat i svi njegovi dijelovi neće imati na sebi mane koje se posljedica proizvodnje ili korištenih materijala, pod uvjetom da se isti koristi pridržavajući se uputa o radu i održavanju koje navodi ovaj priručnik. Ovo se jamstvo odnosi samo na izvornog kupca aparata koji će trebati pokazati račun o kupnji. Ovo jamstvo uključuje samo troškove potrebne da bi se aparat povratio u svoje prvobitno stanje funkcioniranja. Stoga ostaju isključenim troškovi prijevoza ili drugog materijala koji je u vezi sa dijelovima pokrivenim jamstvom. Nisu pokriveni jamstvom, kvarovi koji su posljedica neprikladne uporabe, neovlaštenog mijenjanja, nemara, nedovoljnog održavanja, izmjena, preinaka, normalnog trošenja aparata kao također i korištenje neprikladnog goriva, popravljivanja neprikladnim rezervnim dijelovima ili popravki od strane osoba koje nije distributer tog proizvoda ili tehničkog servisa kojeg je on ovlastio. Uobičajeno normalno održavanje je na teret vlasnika. Proizvođač neće jamčiti niti će se obavezivati direktno i indirektno za nikakvo drugo jamstvo uključujući ono komercijalne prirode ili prisvajanje za određenu uporabu. Ni u kojem slučaju proizvođač neće biti odgovoran za bilo kakvu izravnu ili neizravnu, slučajnu ili posljedičnu štetu koja proizlazi iz uporabe aparata. Proizvođač ostavlja sebi na pravo da unese izmjene u bilo kojem trenutku u ovo jamstvo bez davanja prethodnog obavještenja. Jedino važeće jamstvo je ovo pismeno, proizvođač ne preuzima na sebe nikakvo izraženo ili podrazumijevajuće jamstvo.

► lt - RIBOTA GARANTIJA IR PAGALBOS TARNYBA
SAUGOKITE ŠIĄ RIBOTĄ GARANTIJĄ

Per dvylika (12) mėnesių nuo šio gaminio pirkimo datos gamintojas suteikia garantiją, kad visas prietaisas bendrai ir kiekviena jo detalė neturi gamybinių defektų ar su naudotomis medžiagomis susijusių defektų, nes prietaisas buvo gaminamas laikantis vadove pateiktų veikimo ir priežiūros instrukcijų. Ši garantija yra asmeninė ir pratęsiamą išskirtinai tik prietaiso pirkėjui; jis turės pateikti pirkimo faktūrą. Garantija taikoma tik išlaidoms toms svarbioms detalėms, be kurių prietaisas negali įprastai veikti. Garantija netaikoma gabenimo išlaidoms ar kitoms medžiagoms, susijusioms su garantinėmis detalėmis. Garantija netaikoma dėl netinkamo, neatsargaus, nepakankamo naudojimo, pakeitimų ar modifikacijų kilusiems gedimams, įprastai nusidėvėjusiam gaminiui, dėl netinkamo degalų naudojimo, taisyso naudojant netinkamas atsargines detales ar kai taisyso atlieka ne platintojo ar įgaliotosios techninės pagalbos tarnybos darbuotojai. Įprastą priežiūrą turi atlikti savininkas. Ši garantija teikiama vietoj kitos garantijos ir ja neteikiamos jokios aiškiai nustatytos arba numanomoms garantijos, įskaitant bet kokią numanomą įstatymų nustatytą prekinės būsenos arba atitikties specialiajai paskirčiai garantiją. Jokiu gamintojas neprisiima atsakomybės už tiesioginę, netiesioginę žalą, žalą dėl nelaimingų atsitikimų ar logiškai jų sukeltą naudojantis prietaisu. Gamintojas pasilieka teisę bet kuriuo metu ir be išankstinio įspėjimo keisti šią garantiją. Vienintelė galiojanti garantija yra šis raštiškas dokumentas, gamintojas neprisiima jokios aiškiai nustatytos ar numanomoms garantijos.

►lv - IEROBEŽOTĀ GARANTIJA UN TEHNISKĀS APKALPOŠANAS SERVISS SAGLABĀT ŠO IEROBEŽOTU GARANTIJU

Divpadsmit (12) mēnešu laikā no šī produkta iegādāšanās datuma, ražotājs garantē, ka šī ierīce, kā arī jebkura tās daļa, neuzrāda defektus ražošanas dēļ vai izmantoto materiālu dēļ, ja tā tika lietota sekojot darbošanās instrukcijām un tehniskās apkopes instrukcijām, kas ir uzrādītas rokasgrāmatā. Šī garantija ir domāta tikai pirmajam ierīces pircējam, kuram būs jāuzrāda pirkuma rēķins. Šī garantija iekļauj tikai to daļu izmaksas, kas ir nepieciešamas, lai atjaunotu ierīci tās normālajā darbībā, un tādēļ tiek izklautas izmaksas saistībā ar transportu vai citiem materiāliem, kas ir saistītas ar daļām, kuras sedz šī garantija. Garantija nesedz, ja bojājumu izraisīja kļūdaina lietošana, iejaukšanās, neuzmanība, nepietiekoša tehniskā apkope, modifikācijas, izmaiņas, normāla produkta nolietošana, kā arī ja tika izmantota neatbilstoša degviela, remonts ar neatbilstošām rezerves daļām vai ja remontu veic personas, kas nav ražotājs vai autorizēts Tehniskās Apkalpošanas Serviss. Normāla tehniskā apkope ir uz īpašnieka rēķina. Ražotājs nedod nekādu citu garantiju, izņemot to, kas ir uzrādīta augstāk un neuzņemas nekādu citu saistību, ne tiešo ne netiešo, saistībā ar citām garantijām, iekļaujot komerciālā rakstura garantiju, vai īpašai izmantošanai. Nekādā gadījumā ražotājs nebūs atbildīgs par tiešiem, netiešiem, gadījuma vai izraisītiem bojājumiem, kas nāk no ierīces lietošanas. Ražotājs patur tiesības veikt šīs garantijas izmaiņas jebkurā brīdī un bez iepriekšējās paziņošanas. Vienīgā derīgā garantija ir šī, ražotājs neizsniedz nekādu citu izteiktu vai neizteiktu garantiju.

►et - PIIRATUD GARANTII JA TEHNILINE TEENINDUS HOIDKE SEE PIIRATUD GARANTII ALLES

Kaheteistkümne (12) kuu jooksul alates selle toote ostmisest garanteerib tootja, et seadmel ega ühelgi selle osal ei esine tootmisest või kasutatud materjalidest tulenevaid defekte, kui seadet kasutatakse juhendis antud töö- ja hooldusjuhiste järgi. Käesolev garantii puudutab ainult seadme algset ostjat, kes peab esitama ostutšeki. Käesolev garantii hõlmab ainult nende osade maksumust, mida on vaja, et seade uuesti normaalsesse töökorda viia. Seega jäävad selle alt välja veokulud ja käesoleva garantiiga kaetud osadega seotud materjali maksumus. Garantiiga ei ole kaetud avariid, mis tulenevad väärest kasutamisest, käsitsemisest, hooletusest, ebapiisavast hooldusest, toote kallal tehtud teisendustest ja muudatustest, normaalsest kulumisest ja ka ebasobiva kütuse kasutamisest, ebasobivate varuosadega parandamisest või parandustöödest, mida on teinud muud töötajad kui edasimüüja või volitatud tehnilise teeninduse omad. Tavapärase hooldus on omaniku ülesanne. Tootja ei garanteeri ega võta enda kanda otseselt ega kaudselt ühtegi muud garantiid, sh kaubagarantiid või mõneks spetsiaalseks otstarbeks omandamise puhuks. Tootja ei ole mingil juhul vastutav seadme kasutamisest põhjustatud otsese, kaudse, juhusliku või muu kahju eest. Tootja jätab endale õiguse käesolevat garantiid mis tahes hetkel etteteatamata muuta. Ainus kehtiv garantii on käesolev dokument, tootja ei anna muud selgesõnalist ega vaikimisi garantiid.

►ro - GARANȚIE LIMITATĂ ȘI SERVICIU DE ASISTENȚĂ - SERVICE PĂSTRAȚI ACEASTĂ GARANȚIE LIMITATĂ

În intervalul de timp de doisprezece (12) luni de la data cumpărării acestui produs, producătorul garantează că aparatul, precum și fiecare componentă a acestuia, nu prezintă defecte de fabricație sau datorate materialelor folosite; aparatul trebuie folosit conform instrucțiunilor de funcționare și întreținere indicate în manual. Prezenta garanție se acordă numai cumpărătorului direct al aparatului care va trebui să prezinte factura de cumpărare. Prezenta garanție acoperă numai costul componentelor necesare pentru ca aparatul să funcționeze în condiții normale. Sunt excluse costuri privind transportul sau al altor materiale asociate componentelor acoperite de prezenta garanție. Nu sunt acoperite de garanție defectele datorate utilizării incorecte, manipulărilor, neglijenței, întreținerii insuficiente, modificărilor, uzurii normale a produsului, precum și datorate utilizării combustibilului neconform, reparațiilor sau utilizării pieselor de schimb neadecvate și reparațiilor realizate de personal altul decât distribuitorul sau serviciul tehnic autorizat. Întreținerea ordinară este în sarcina proprietarului. Producătorul nu garantează și nici nu își asumă responsabilitatea directă sau indirectă pentru nici un alt fel de garanție, inclusiv cea cu caracter comercial sau în cazul cumpărării acestuia cu un anumit scop de folosire. În nici un caz producătorul nu poate fi considerat responsabil pentru daune directe, indirecte, accidentale sau derivate din utilizarea aparatului. Producătorul își rezervă dreptul de a aduce modificări prezentei garanții în orice moment și fără preaviz. Singura garanție valabilă este cea de față, producătorul nu oferă nici un alt fel de garanție, fie ea explicită sau implicită.

►sk - OBMEDZENÁ ZÁRUKA A ASISTENČNÁ SLUŽBA USCHOVÁVAJTE TÚTO OBMEDZENÚ ZÁRUKU

Počas obdobia dvanástich (12) mesiacov od dátumu nákupu tohto produktu výrobca zaručuje, že zariadenie, ako všetky jeho časti, je bez závad vzniknutých v dôsledku výroby alebo použitých materiálov, za predpokladu, že samotný prístroj bol používaný podľa pokynov v príručke na použitie a údržbu. Táto záruka sa vzťahuje len na pôvodného nákupcu prístroja, ktorý musí predložiť faktúru o kúpe. Táto záruka pokrýva iba náklady dielov, potrebných pre navrátenie výrobku do normálneho stavu fungovania. Preto vylučuje náklady na dopravu či ďalšie materiály, spojené s časťami, na ktoré sa vzťahuje táto záruka. Zo záruky sú vylúčené poškodenia, spôsobené nesprávnym používaním, nedbalosťou, špatnou údržbou, modifikáciami a úpravami, bežným opotrebovaním výrobku; ako aj škody, zapríčinené používaním nevhodného paliva, opravami s nevhodnými náhradnými dielmi alebo opravami, vykonávanými personálom odlišným od personálu predajcu alebo autorizovanej technickej servisnej služby. Bežná údržba je úlohou majiteľa. Výrobca nezaručuje ani nepreberá, priamo či nepriamo, akékoľvek iné záruky, vrátane záruky obchodnej povahy alebo záruky pre prispôbenie výrobku na zvláštne použitie. Výrobca nie je v žiadnom prípade zodpovedný za akékoľvek priame, nepriame, náhodné alebo následné škody, vyplývajúce z použitia zariadenia. Výrobca si vyhradzuje právo kedykoľvek a bez predchádzajúceho upozornenia zmeniť túto záruku. Jedinou platnou zárukou je táto písomná listina, výrobca neuznáva žiadnu inú záruku, ani vyjadrenú, ani implicitnú.

► **bg - ОГРАНИЧЕНА ГАРАНЦИЯ И СЕРВИЗ ЗА ТЕХНИЧЕСКО ОБСЛУЖВАНЕ
ДА СЕ СЪХРАНЯВА НАСТОЯЩАТА ОГРАНИЧЕНА ГАРАНЦИЯ**

По време на периода от дванадесет (12) месеца, смятано от датата на покупка на това изделие, производителят покрива гаранцията на уреда, и на всяка негова част, по отношение на наличие на производствени дефекти или използвани материали, при всички случаи само когато изделието се използва, в съответствие с указанията за работа и поддръжка, указани в наръчника. Настоящата гаранция важи единствено за първоначалният купувач на уреда, който трябва да представи фактура за извършена покупка. Настоящата гаранция покрива и разходите за частите, необходими за възстановяване нормално действие на уреда. В нея не се включват, съответните транспортни разходи или други материали в тази връзка, за частите покрити от настоящата гаранция. Не влизат в гаранцията, аварии вследствие на неправилна употреба, манипулации, невнимание, недостатъчна поддръжка, промени, модификации, нормално износване на изделието, както и вследствие ползване на неодобрен горивен газ, смени с неподходящи резервни части или ремонти извършвани от друг персонал, освен от дистрибутора или оторизиран технически сервиз. Нормалната поддръжка е за сметка на собственика. Производителят не гарантира, нито поема пряк или непряк ангажимент, във връзка с каквато и да е друга гаранция, включително и търговската или вследствие на придобиване за специална употреба. При никакви обстоятелства, производителят не носи отговорност за преки, косвени, случайни или последващи щети, свързани с употреба на уреда. Производителят си запазва правото да променя настоящата гаранция, по всяко време и без предварително предизвестие. Единствената гаранция в сила е настоящият текст, производителят не приема никаква друга словесна или несловесна гаранция.

► **uk - ОБМЕЖЕНА ГАРАНТІЯ І ТЕХНІЧНЕ ОБСЛУГОВУВАННЯ
ЗБЕРІГАЙТЕ ЦЮ ОБМЕЖЕНУ ГАРАНТІЮ**

Протягом дванадцяти (12) місяців, починаючи з дати придбання цього виробу, виробник гарантує, що пристрій, як і всі його комплектуючі, не має дефектів, спричинених процесом вироблення або використаними матеріалами, за умови, що пристрій використовується з дотриманням інструкцій з експлуатації й обслуговуванню, які містяться в даному посібнику. Ця гарантія поширюється лише на справжнього покупця пристрою, який має представити чек або рахунок. Ця гарантія поширюється лише на вартість деталей, необхідних для повернення пристрою до нормального робочого стану. Тому гарантія не поширюється на витрати на транспортування або на інші деталі, пов'язані з деталями, на які поширюється ця гарантія. Гарантія не поширюється на поломки, що сталися в результаті неправильної експлуатації пристрою, неналежного обслуговування, деформації, внесення конструктивних змін, звичайного зношення виробу, а також через використання невідповідного пального, ремонт з використанням неналежних запчастин, або через ремонт, проведений фахівцями, які не мають відношення до виробника або авторизованої служби технічного обслуговування. Відповідальність за повсякденне обслуговування несе власник. Виробник не гарантує і не несе прямої або непрямой відповідальності за будь-яку іншу гарантію, включаючи гарантію торговельного характеру або наслідки особливої експлуатації. Ні в якому разі виробник не несе відповідальності за прямі, непрямі, випадкові збитки, які є наслідком використання пристрою. Виробник залишає за собою право в будь-який момент і без попереднього оповіщення вносити зміни до цієї гарантії. Єдиною чинною гарантією є цей документ, і виробник не бере на себе жодних чітких або ймовірних гарантій.

► **bs - OGRANIČENA GARANCIJA I SERVISNA USLUGA
SAČUVAJTE OVU OGRANIČENU GARANCIJU**

Tokom perioda od dvanaest (12) mjeseci polazeći od datuma kupovine ovog proizvoda, proizvođač garantira da proizvod kao i svi njegovi dijelovi nemaju mana koje su posljedica proizvodnje i korištenih materijala ali samo ako se on koristi pridržavanjem uputstava o radu i održavanju navednih u priručniku. Ova se garancija odnosi isključivo na prvobitnog kupca aparata koji mora pokazati račun o kupovini. Ova garancija obuhvaća samo troškove dijelova koji su potrebni da bi se aparat vratio u svoje normalno stanje rada. Zato ostaju isključenima troškovi vezani za transport ili drugi materijali u vezi sa dijelovima pokrivenim ovom garancijom. Nisu pokriveni garancijom kvarovi koji su posljedica pogrešne upotrebe, nepar, nedovoljno održavanje, izmjene, promjene, normalno trošenje proizvoda kao također i korištenje neprikladnog goriva, popravke neprikladnim rezervnim dijelovima ili one koje je obavilo drugačije osoblje od onog zaduženog za servisiranje i distributeri proizvoda. Obično održavanje je na teret vlasnika. Proizvođač ne garantira, niti preuzima na sebe direktno ili indirektno bilo kakvu drugu garanciju uključujući i onu komercijalne prirode ili aproprijacije za neku posebnu upotrebu. Proizvođač neće biti odgovoran ni u kom slučaju za štetu direktnu ili indirektnu, slučajnu ili posljedičnu koja proističe iz korištenja aparata. Proizvođač ostavlja sebi na pravo da promijeni u bilo kojem trenutku i bez davanja prethodnog obavještenja ovu garanciju. Jedino važeća garancija je ova napisana, proizvođač ne preuzima na sebe nikakvu izraženu ili impliciranu garanciju.

► **el - ΠΕΡΙΟΡΙΣΜΕΝΗ ΕΓΓΥΗΣΗ ΚΑΙ ΥΠΗΡΕΣΙΑ ΤΕΧΝΙΚΗΣ ΥΠΟΣΤΗΡΙΞΗΣ
ΦΥΛΑΞΤΕ ΤΗΝ ΠΑΡΟΥΣΑ ΠΕΡΙΟΡΙΣΜΕΝΗ ΕΓΓΥΗΣΗ**

Κατά την περίοδο των δώδεκα (12) μηνών από την ημερομηνία αγοράς του προϊόντος αυτού, ο κατασκευαστής εγγυάται ότι η συσκευή, όπως κάθε άλλο εξάρτημά της, δεν παρουσιάζει ελαττώματα λόγω κατασκευής ή χρησιμοποιημένων υλικών, υπό τον όρο ότι η ίδια χρησιμοποιήθηκε πάντα σύμφωνα με τις οδηγίες λειτουργίας και συντήρησης που ενδείκνυνται στο εγχειρίδιο. Η παρούσα εγγύηση καλύπτει μόνο τον αρχικό αγοραστή της συσκευής, ο οποίος θα πρέπει να παρουσιάσει την απόδειξη αγοράς. Η παρούσα εγγύηση αποκλείει μόνο το κόστος των απαραίτητων μερών για την επαναφορά της συσκευής στην κανονική κατάσταση λειτουργίας. Αποκλείεται επομένως το κόστος μεταφοράς ή άλλων υλικών που συνδέονται με τα μέρη που καλύπτονται από την παρούσα εγγύηση. Εξαιρούνται από το κόστος της εγγύησης, οι ζημιές που προκαλούνται από λάθος χρήση, χειρισμό, αμέλεια, κακή συντήρηση, παραποιήσεις, μετατροπές, φυσική φθορά του προϊόντος, καθώς επίσης και από τη χρήση καυσίμων που δεν είναι σύμφωνα, επισκευές με ακατάλληλα ανταλλακτικά ή επισκευές από προσωπικό ή από υπηρεσία τεχνικής υποστήριξης που δεν είναι

εξουσιοδοτημένη από τον αντιπρόσωπο. Η κανονική συντήρηση είναι αρμοδιότητα του ιδιοκτήτη. Ο κατασκευαστής δεν εγγυάται και ούτε ευθύνεται άμεσα ή έμμεσα για οποιαδήποτε άλλη εγγύηση, συμπεριλαμβανομένης εκείνης που είναι εμπορικής φύσης ή για την ιδιοποίηση μιας συγκεκριμένης χρήσης. Σε καμία περίπτωση ο κατασκευαστής δεν ευθύνεται για άμεσες, έμμεσες, τυχαίες ή κατά συνέπεια ζημιές, που προέρχονται από τη χρήση της συσκευής. Ο κατασκευαστής διατηρεί το δικαίωμα να τροποποιεί οποιαδήποτε στιγμή και χωρίς προειδοποίηση την παρούσα εγγύηση. Η μόνη εγγύηση που ισχύει είναι η παρούσα γραφή, ο κατασκευαστής δεν αναλαμβάνει καμία εγγύηση ρητή ή και υπονοούμενη.

► zh - 有限责任和售后服务

生产者对设备负有有限责任

从此产品被购买的当天开始计算的(12个月内, 在用户严格按照使用维护手册对设备进行操作和维护的前提下, 生产商保证这台设备和其所有零件不会因为在生产过程中产生的错误或者因为生产所使用的材料而发生问题, 损坏或无效。此项质量保证只对原始购买者有效, 并必须提供对应的发票单据。在上述情况下, 当设备发生故障而停止工作后, 此项质量保证仅承担将设备还原到原始正常的工作状态所必须零件的成本, 不包括因此引起的运输或者其他相关材料的成本费用。因为以下原因引起的故障, 不在上述质保范围内: 错误的使用, 操作, 疏忽失误, 缺少维护, 随意变更替换, 修改, 正常损耗, 使用不符合规定的燃料, 使用不符合规定的零件, 通过没有售后服务技术授权的人员或者非授权经销商进行维修等。设备进行定期维护属于最终用户的责任。生产商不承担任何商业性质或者某些特殊用途所引起的直接或间接责任。在任何情况下, 生产商对在正常使用过程中产生的直接, 间接, 偶然或必然的损失负责。生产商对此质量保证条款保留最终解释权和修改权, 且无需提前告知。此份质量保证是唯一生效的, 生产商不对任何未表述的或者暗示的条款负责。

► kk - ШЕКТЕУЛІ КЕПІЛДІК ЖӘНЕ САТУДАН КЕЙІНГІ СЕРВИСТІК ҚЫЗМЕТ КӨРСЕТУ

ОСЫ ЖЕТЕКШІЛІКТІ САҚТАП ҚОЙЫҢЫЗ

Өндіруші бұл өнімде фабрикалық ақаулар мен кемшіліктер жоқ екендігіне кепілдік береді, осыған орай оған 12 айға сатып алу күнінен бастап кепілдеме береді, пайдаланушыға арналған жетекшілікте сипатталған ұсыныстарға сәйкес техникалық қызмет көрсетілуін және сол мақсаттарда пайдаланылатын болса жағдайда. Бұл кепілдеме сатылып алынған түпнұсқалы өнімге ғана тарайды және сатып алуды растайтын құжаттың болуында (инвойс) ған тарайды. Кепілдеме қондырғының дұрыс қалыпта функционалдануын қамтамасыз етуге арналған қажетті бөлшектеріне ғана таралады. Бұл кепілдеме транспортпен байланысты, немесе осы кепілдеме таралатын бөлшектерге байланысты басқа материалдардың шығындарды өтеуге таралмайды. Кепілдеме қондырғыны дұрыс пайдаланбау нәтижесінде, дұрыс қарамау, дұрыс техникалық қызмет көрсетпеген, көп жұмыс істеу және модификация, құралдың тозуында таралмайды, сонымен қатар спецификацияда көрсетілген жанармайдың сәйкес болмауы, түпнұсқалы емес бөлшектерді жөндеу кезінде орнатқанда немесе мамандығы жоқ адамдармен жөндеу жұмыстары жүргізілгенде таралмайды. Техникалық қызмет көрсету бойынша жалпы кезеңді жұмыстар қондырғының иесіне тиесілі. Өндіруші кез келген берілген, соның ішінде коммерциялы сипаттағы, кепілдемеге өзіне тікелей және жанама жауапкершілік алмайды. Өндіруші қондырғыны пайдалану кезеңінде пайда болған кездейсоқ, жанама, тура ақауларға жауапкершілік алмайды. Өндіруші өзіне осы кепілдемеге кез келген уақытта алдын ала ескертусіз өзгертулер енгізу құқығын қалдырады. Бұл кепілдеме әрекет ететін жалғыз кепілдеме болып табылады. Өндіруші басқа ешқандай кепілдеме қабылдамайды, көрсетілген немесе қисынды.

Model: _____

Serial Number: _____

Date of Purchase: _____

► en - DISPOSAL OF THE PRODUCT

- This product has been designed and manufactured with top-quality materials and components, which can be re-cycled and re-used.
- When a crossed-wheely bin symbol is attached to the product, it means that the product is protected by the, 2002/96/EC European Directive.
- Please obtain information regarding the local differentiated collection system for electrical and electronic products.
- Respect local Standards in force and do not dispose of old products as normal domestic waste. Correct disposal of the product helps to prevent possible negative consequences for health, the environment and mankind.

► it - SMALTIMENTO DEL PRODOTTO

- Questo prodotto è stato progettato e fabbricato con materiali e componenti di alta qualità, che possono essere riciclati e riutilizzati.
- Quando ad un prodotto è attaccato il simbolo del bidone con le ruote segnato da una croce, significa che il prodotto è tutelato dalla Direttiva Europea 2002/96/CE.
- Si prega di informarsi in merito al sistema locale di raccolta differenziata per i prodotti elettrici ed elettronici.
- Rispettare le norme locali in vigore e non smaltire i prodotti vecchi nei normali rifiuti domestici. Il corretto smaltimento del prodotto aiuta ad evitare possibili conseguenze negative per la salute dell'ambiente e dell'uomo.

► de - ENTSORGUNG DES PRODUKTS

- Dieses Produkt wurde unter Verwendung von Qualitätsmaterialien und -bauteilen entwickelt und hergestellt, die recycelt und wieder verwendet werden können.
- Ist ein Produkt gekennzeichnet durch die Mülltonne mit Rädern und einem Kreuz, wird hier angezeigt, dass dieses Produkt durch die europäische Richtlinie 2002/96/EG überwacht ist.
- Es wird gebeten, sich über die vor Ort bestehende Mülltrennung bezüglich elektrischer und elektronischer Produkte zu informieren.
- Die vor Ort geltenden Vorschriften zur Müllentsorgung müssen eingehalten werden und alte Produkte dürfen nicht zusammen mit dem Hausmüll entsorgt werden. Die ordnungsgemäße Entsorgung des Produkts hilft mögliche negative Folgen für Gesundheit und Umwelt zu vermeiden.

► es - ELIMINACIÓN DEL PRODUCTO

- Este producto ha sido diseñado y fabricado con materiales y componentes de alta calidad que se pueden reciclar y reutilizar.
- Cuando en el producto se encuentra el símbolo del contenedor con las ruedas tachado con una cruz, significa que el producto está tutelado por la Directiva europea 2002/96/CE.
- Se ruega informarse acerca del sistema local de recogida selectiva para los productos eléctricos y electrónicos.
- Respete las normas locales vigentes y no elimine los productos viejos junto con los residuos domésticos normales. La eliminación correcta del producto ayuda a evitar posibles consecuencias negativas para la salud del ambiente y del hombre.

► fr - SE DÉBARRASSER DE VOTRE PRODUIT USAGÉ

- Ce produit a été conçu et fabriqué avec des matériaux et des composants de haute qualité, qui peuvent être recyclés et utilisés de nouveau.
- Lorsque le symbole d'une poubelle à roue barrée est appliqué à un produit, cela signifie que le produit est couvert par la Directive Européenne 2002/96/CE.
- Veuillez vous informer du système local de séparation des déchets électriques et électroniques.
- Veuillez agir selon les règles locale set ne pas jeter vos produits usagés avec les déchets domestiques usuels. Jeter correctement votre produit usagé aidera à prévenir les conséquences négatives potentielles contre l'environnement et la santé humaine.

► nl - VERWIJDERING VAN HET PRODUCT

- Dit product werd ontworpen en gemaakt met hoogwaardige materialen en componenten, die gerecycleerd en herbruikt kunnen worden.
- Wanneer op een product het symbool van de afvalbak op wielen met een kruis erdoor is aangebracht, betekent dit dat het product valt onder de Europese Richtlijn 2002/96/EG.
- Gelieve inlichtingen in te winnen betreffende het plaatselijke systeem voor gedifferentieerde inzameling van elektrische en elektronische toestellen.
- Respecteer de plaatselijke normen die van kracht zijn, en verwijder de oude toestellen niet als gewoon huishoudelijk afval. Een correcte verwijdering van het product helpt om mogelijke negatieve gevolgen voor de gezondheid van mens en milieu te voorkomen.

► pt - ELIMINAÇÃO DO PRODUTO

- Este produto foi projetado e fabricado com materiais e componentes de alta qualidade que podem ser reciclados e reutilizados.
- Quando for afixado em um produto o símbolo do bidão com rodas marcado com uma cruz, significa que o produto é protegido pela Diretiva Europeia 2002/96/CE.
- Solicitamos informar-se sobre o sistema local de recolha diferenciada para os produtos elétricos e eletrônicos.
- Respeitar as normas locais em vigor e não eliminar os produtos antigos como normais detritos domésticos. A correta eliminação do produto ajuda a evitar possíveis consequências negativas para a saúde do ambiente e do homem.

► da - BORTSKAFFELSE

- Dette produkt er designet og fremstillet med materialer og dele af høj kvalitet, der kan genanvendes.
- Når et produkt er mærket med symbolet, der viser en affaldsspand på hjul med et kryds over, betyder det, at produktet er beskyttet af EF-Direktiv 2002/96/EF.
- Der henstilles til, at man informerer sig angående det lokale affaldssorteringssystem for elektriske og elektroniske produkter.
- De gældende lokale regler skal overholdes, og de gamle produkter må ikke bortskaffes sammen med husholdningsaffaldet. Ved at bortskaffe dette produkt korrekt, medvirker De til at forhindre eventuelle negative påvirkninger af miljøet og folkesundheden.

► fi - TUOTTEEN HÄVITTÄMINEN

- Tämä tuote on suunniteltu ja valmistettu korkealaatuisia materiaaleja ja osia käyttämällä, jotka voidaan kierrättää ja käyttää uudelleen.
- Kun tuotteeseen on kiinnitetty viivattu roskasäiliön merkki, se tarkoittaa, että tuotetta suojaa Euroopan yhteisön direktiivi 2002/96/EY.
- Hanki tietoja paikallisesta sähkö- ja elektroniikkaromujen erilliskeräyksestä.
- Noudata voimassa oleva määräyksiä äläkä hävitä vanhoja tuotteita kotitalousjätteiden mukana. Tuotteen oikea hävittäminen auttaa suojelemaan luontoa ja välttää väärän romutuksen aiheuttamien terveysriskien syntymistä.

► no - AVFALLSHÄNDTERING

- Dette produktet er utformet og produsert med materialer og deler av høy kvalitet, og som kan gjenvinnes.
- Når det på et produkt finnes et symbol som forestiller en avfallsbeholder med et kryss over, betyr dette at produktet er underlagt EU-direktiv 2002/96/CE.
- Vennligst informer dere angående de lokale reglene som gjelder kassering av elektrisk og elektronisk avfall.
- Ta hensyn til gjeldende regelverk og ikke kast gamle produkter sammen med husholdningsavfall. Riktig avfallshåndtering av produktet bidrar til å unngå potensielle negative konsekvenser for miljøet og menneskenes helse.

► sv - PRODUKTENS BORTSKAFFANDE

- Den här produkten har projekterats och tillverkats med material och komponenter av hög kvalitet som kan återvinnas och återanvändas.
- När ett klistermärke med en symbol med överkorsad soptunna med hjul sitter på produkten, betyder detta att produkten är skyddad av Eu-direktiv 2002/96/EG.
- Vi ber er inhämta upplysningar vid er lokala återvinningsstation för elektriska och elektroniska produkter.
- Följ lokala gällande bestämmelser och skaffa inte bort förbrukade produkter i det vanliga hushållsavfallet. Ett korrekt bortskaffande av produkten hjälper till att undvika möjliga negativa effekter på miljö- och människohälsa.

► pl - UTYLIZACJA PRODUKTU

- Niniejszy produkt został wyprodukowany z najwyższej jakości materiałów, które mogą być poddane recyklingowi i zostać ponownie użyte.
- Symbol przekreślonego kosza na śmieci umieszczony na produkcie oznacza, że ów produkt jest chroniony Dyrektywą Unii Europejskiej 2002/96/WE.
- Należy zapoznać się z lokalnym systemem zbiórki produktów elektronicznych i elektrycznych.
- Stare produkty muszą być usuwane zgodnie z obowiązującymi normami. Odpowiednia utylizacja urządzeń elektrycznych i elektronicznych zapobiega następstwom negatywnie wpływającym na zdrowie, środowisko i całą ludzkość.

► ru - УТИЛИЗАЦИЯ ПРОДУКТА

- Данный продукт был произведен из наивысшего качества материалов, которые могут быть подданы рециклингу и повторно использованы.
- Символ зачеркнутой мусорной корзины, размещенный на продукте, обозначает, что этот продукт защищен Директивой Европейского Союза 2002/96/CE.
- Следует ознакомиться с локальной системой сбора электронных и электрических продуктов.
- Старые продукты должны быть утилизированы в соответствии с действующими нормами. Соответствующая утилизация электрических и электронных приборов предотвращает последствия, негативно влияющие на здоровье, окружающую среду и все человечество.

► cs - LIKVIDACE VÝROBKU

- Tento výrobek byl navržen a vyroben z vysoce kvalitních materiálů a komponentů, které lze recyklovat a znovu použít.
- Je-li na výrobku symbol přeškrtnutého kontejneru, znamená to, že na výrobek se vztahuje Evropská Směrnice 2002/96/ES.
- Informujte se o místním systému pro oddělený sběr elektrických a elektronických výrobků.
- Dodržujte místní předpisy a nelikvidujte staré produkty spolu s běžným komunálním odpadem. Správná likvidace výrobku pomůže předcházet možným negativním dopadům na životní prostředí a lidské zdraví.

► hu - HULLADÉKBA HELYEZÉS

- A termék kiváló minőségű újrahasznosítható és újból felhasználható alkotóelemek felhasználásával készült.
- Ha terméken elhelyezésre került az áthúzott hulladékgyűjtőt ábrázoló jel, az azt jelenti, hogy a termékre a 2002/96/EK irányelv vonatkozik.
- Kérjük, tájékozódjon az elektromos és elektronikus hulladékok szelektív gyűjtéséről.
- Tartsa be a helyben hatályos előírásokat, és ne a terméket ne helyezze a háztartási hulladékgyűjtőbe. A megfelelő hulladékgyűjtéssel elkerülhető, hogy a hulladékok károsítsák a környezetet ill. az emberi egészséget.

► sl - ODLAGANJE IZDELKA

- Ta izdelki je bil zasnovan in izdelan iz materialov in komponent visoke kakovosti, ki jih je mogoče reciklirati in ponovno uporabiti.
- Ko je izdelek označen z znamenjem prekrižanega smetnjaka na kolesih, pomeni, da zanj veljajo določbe evropske Direktive 2002/96/ES.
- Pozanimajte se o načinu ločenega zbiranja električne in elektronske opreme, ki velja v vašem kraju.
- Upoštevajte veljavne predpise in odsluženih izdelkov ne odlagajte med gospodinjske odpadke. Pravilno odlaganje izdelka prispeva k izogibanju morebitnim negativnim posledicam za zdravje okolja in ljudi.

► tr - ÜRÜNÜN İMHA EDİLMESİ

- Bu ürün, geri dönüştürülüp tekrar kullanılabilen, yüksek kaliteli malzeme ve bileşenler kullanılarak tasarlanıp üretilmiştir.
- Herhangi bir üründe, üzerinde çarpı işareti bulunan tekerlekli bidon bulunuyorsa bu, ürünün 2002/96/CE Avrupa Direktifi tarafından korunduğunu belirtir.
- Lütfen bulunduğunuz bölgedeki elektrikli ve elektronik aletler için olan çöp ayrıştırma sistemi ile ilgili bilgi edininiz.
- Konuyla ilgili yerel düzenlemelere uyunuz ve eski ürünleri normal evsel atıklarla beraber atmayınız. Ürünün doğru şekilde imha edilmesi, çevre ve insan sağlığını tehdit edici olumsuz sonuçların önlenmesine yardımcı olur.

► hr - ODBACIVANJE PROIZVODA

- Ovaj je proizvod osmišljen i izrađen s visokokvalitetnim materijalima i komponentama koje se mogu reciklirati i ponovno iskoristiti.
- Kada se na proizvod stavi simbol prekrižene kante na kotačima, to znači da je on podvrgnut Europskoj Smjernici 2002/96/CE.
- Informirajte se u svezi s lokalnim načinom diferencijalnog sakupljanja električnih i elektronskih proizvoda.
- Pošaljite lokalne propise na snazi i ne odbacujte stare proizvode zajedno sa običnim kućnim otpadom. Pravilnim odbacivanjem proizvoda spriječit ćete moguće negativne posljedice za okoliš i za zdravlje ljudi.

► lt - GAMINIO SUNAIKINIMAS

- Šis gaminys buvo sukurtas ir pagamintas iš aukštos kokybės medžiagų bei dalių, kurios gali būti perdirbtos arba panaudotos dar kartą.
- Kai gaminys yra pažymėtas perbraukto atliekų konteinerio su ratukais ženklu, tai reiškia, kad gaminys yra saugomas pagal ES direktyvą 2002/96/EB.
- Prašome pasidomėti apie vietinę elektros ir elektronikos atliekų rūšiavimo sistemą.
- Laikykites vietinių galiojančių taisyklių ir nemeskite senų gaminių su įprastomis buitinėmis atliekomis. Tinkamai sunaikinę gaminių išvengsite galimų neigiamų pasekmių aplinkai ir žmonių sveikatai.

► lv - PRODUKTA IZNĪCINĀŠANA

- Šis produkts tika izveidots un ražots ar augstas kvalitātes materiāliem un sastāvdaļām, kas var būt savāktas un atkārtoti izmantotas.
- Kad pie produkta ir piestiprināts atkritumu tvertnes simbols ar riteņiem, kas ir pārsvītrots ar krustu, tas nozīmē, ka produktu aizstāv Eiropas Direktīva 2002/96/EK.
- Lūdzam Jūs gūt informāciju par vietēju centru, kas savāc elektriskās un elektroniskā ierīces.
- Ievērot vietējās pastāvošās normas un neiznīcināt vecus produktus, kā parastus mājas atkritumus. Produkta pareizā iznīcināšana palīdz izvairīties no iespējamām negatīvām sekām vides un cilvēku veselībai.

► et - TOOTE KASUTUSEST KÕRVALDAMINE

- See toode on projekteeritud ja toodetud kvaliteetsetest materjalidest ja osadest, mida võib uuesti ringlusse võtta ja korduskasutada.
- Kui tootel on märk, millel on ratastega prügikast, millele on rist peale tõmmatud, tähendab see, et toodet kaitseb Euroopa direktiiv 2002/96/EÜ.
- Palun tutvuge kohaliku elektri- ja elektroonikatoodete lahuskogumise süsteemiga.
- Täitke kehtivaid kohalikke õigusnorme ning ärge visake vana toodet olmejäätmete hulka. Toote õige kõrvaldamine aitab vältida võimalikke negatiivseid tagajärgi keskkonna ja inimeste tervisele.

► ro - SCOATEREA DEFINITIVĂ DIN UZ A PRODUSULUI

- Acest produs a fost proiectat și fabricat cu materiale și componente de înaltă calitate care pot fi reciclate și refolosite.
- Când pe produs este aplicat simbolul unei pubele cu roți, marcată cu o cruce, înseamnă că produsul respectiv este conform Directivei Europene 2002/96/CE.
- Vă rugăm să vă informați în ceea ce privește colectarea separată a produselor electrice și electronice.
- Respectați normele locale în vigoare și nu depozitați produsele vechi împreună cu deșeurile menajere. Eliminarea corectă a produsului ajută la eliminarea consecințelor negative pe care acesta le poate avea asupra mediului înconjurător și a persoanelor.

► sk - LIKVIDÁCIA VÝROBKU

- Tento výrobok bol navrhnutý a vyrobený z vysoko kvalitných materiálov a komponentov, ktoré je možné recyklovať a znovu použiť.
- Ak je na výrobku symbol prečiarknutého kontajnera, znamená to, že na výrobok sa vzťahuje Európska Smernica 2002/96/ES.
- Informujte sa o miestnom systéme pre oddelený zber elektrických a elektronických výrobkov.
- Dodržujte miestne predpisy a nelikvidujte staré produkty spolu s bežným komunálnym odpadom. Správna likvidácia výrobku pomôže predchádzať možným negatívnym dopadom na životné prostredie a ľudské zdravie.

► bg - ИЗХВЪРЛЯНЕ НА УРЕДА

- Това изделие е проектирано и произведено с материали и компоненти от високо качество, които могат да се рециклират или използват повторно.
- Когато на някое изделие е поставен символ с бидон на колелца, маркиран с хикс, това означава, че изделието е защитено съгласно Европейска Директива 2002/96/ЕО.
- Моля да се информирате относно местната система за разделно изхвърляне на електрически и електронни изделия.
- Спазвайте действащите местни нормативи и не изхвърляйте изделията, заедно с нормалните домакински отпадъци. Правилното изхвърляне на изделията, помага за избягване на възможни отрицателно последици, за здравето на хората и за опазване на околната среда.

► uk - УТИЛІЗАЦІЯ ВИРОБУ

- Цей виріб був спроектований і вироблений з використанням високоякісних матеріалів і комплектуючих, які можуть бути повторно перероблені і використані.
- Якщо на виріб нанесено символ перекресленого бака з колесами для сміття, це означає, що виріб відповідає Директиві Європейського Союзу 2002/96/CE.
- Просимо ознайомитися з інформацією щодо місцевої системи роздільного збору сміття для електричного і електронного обладнання.
- Дотримуйтеся чинних місцевих правил і не викидайте старі вироби до звичайних побутових відходів. Правильна утилізація виробу допомагає уникнути можливих негативних наслідків для довкілля і здоров'я людей.

► bs - ODLAGANJE PROIZVODA

- Ovaj je proizvod dizajniran i proizveden korištenjem materijala i komponenata visoke kvalitete koji se mogu reciklirati i ponovo koristiti.
- Kada se na ovaj proizvod postavi simbol prekrizene kante /obilježene krstom na točkovima, to znači da je proizvod podložan Evropskoj Direktivi 2002/96/CE.
- Molimo Vas da se informirate o lokalnom sistemu diferencijalnog sakupljanja električnih i elektronskih proizvoda.
- Poštujte lokalne propise na snazi i ne odbacujte stare proizvode u obični kućanski otpad. Pravilno odlaganje proizvoda pomaže i onemogućuje negativne posljedice za zdravlje ljudi i okoliša

► el - ΔΙΑΘΕΣΗ ΤΟΥ ΠΡΟΪΟΝΤΟΣ

- Το προϊόν αυτό σχεδιάστηκε και κατασκευάστηκε με υλικά και εξαρτήματα υψηλής ποιότητας, τα οποία μπορούν να ανακυκλωθούν και να ξαναχρησιμοποιηθούν.
- Όταν ένα προϊόν είναι συνδεδεμένο με το σύμβολο του διαγεγραμμένου τροχοφόρου σημειωμένο με ένα σταυρό, σημαίνει ότι το προϊόν καλύπτεται από την Ευρωπαϊκή Οδηγία 2002/96/ΕΚ.
- Σας συνιστούμε να ενημερωθείτε σχετικά με το τοπικό σύστημα συλλογής για την ανακύκλωση ηλεκτρικών και ηλεκτρονικών προϊόντων.
- Τηρήστε τους τοπικούς κανονισμούς που ισχύουν και μην απορρίπτετε τα παλαιά προϊόντα στα οικιακά απορρίμματα. Η σωστή διάθεση του προϊόντος βοηθά στην αποφυγή πιθανών αρνητικών συνεπειών για την υγεία του περιβάλλοντος και του ανθρώπου.

► zh - 弃置旧的产品

- 该产品是由高质量的原材料和零配件生产而成的，可以进行回收再利用
- 当这个标识标签出现在产品上时，它表明这个产品符合 European Directive 2002/96/EC标准。
- 请熟知产品实际使用地关于处理废弃的电子元件的相关法律规定。
- 请严格根据当地法规处理废弃的产品和包装，并确保不和生活垃圾混装。正确的处理方式可以避免对环境和人体健康产生的潜在威胁。

