



Paulmann

Safety Instructions

1, 2, 3, 4, 5, 6, 7, 10, 12, 13, 15, 16,
19, 20, 21, 22, 24, 28, 33, 34



Info

www.paulmann.com

Paulmann Licht GmbH
Quezinger Feld 2
31832 Springe
Germany

www.paulmann.com

Art.-Nr.: 934.57/58

934.59/60

934.63/61

934.61

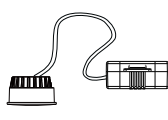
(+MA326) PSU 03/18



934.57/934.59



1x

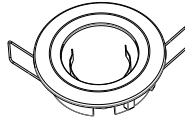


1x

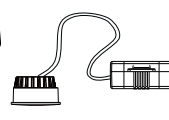


Incl.

934.58/934.60/934.63



3x



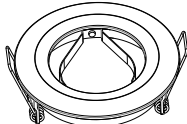
3x



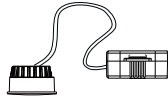
Incl.



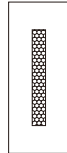
934.61



1x

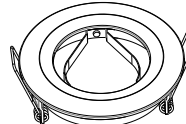


1x

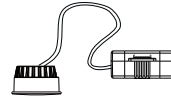


Incl.

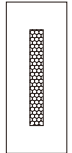
934.62



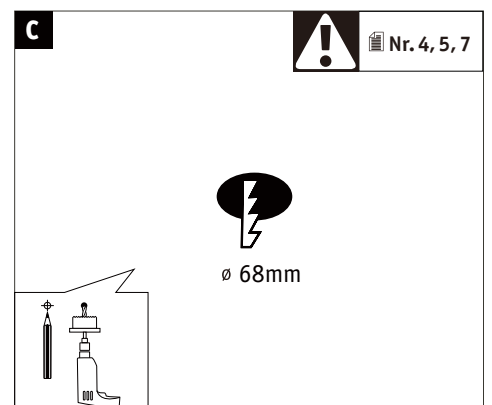
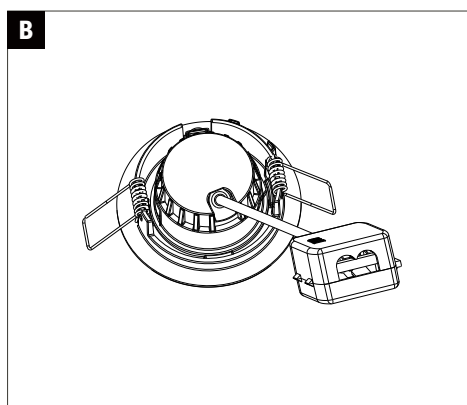
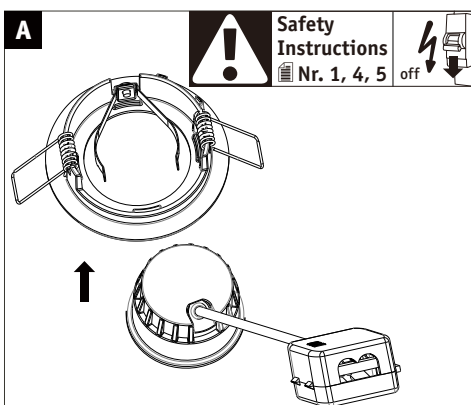
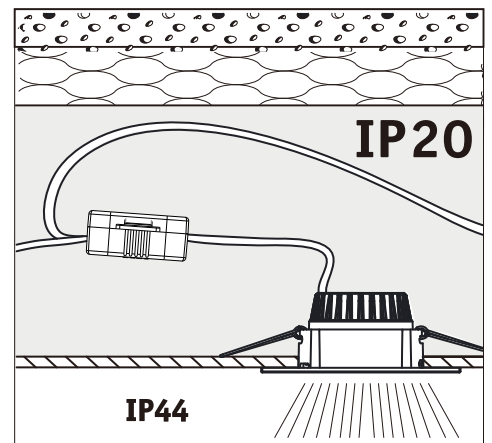
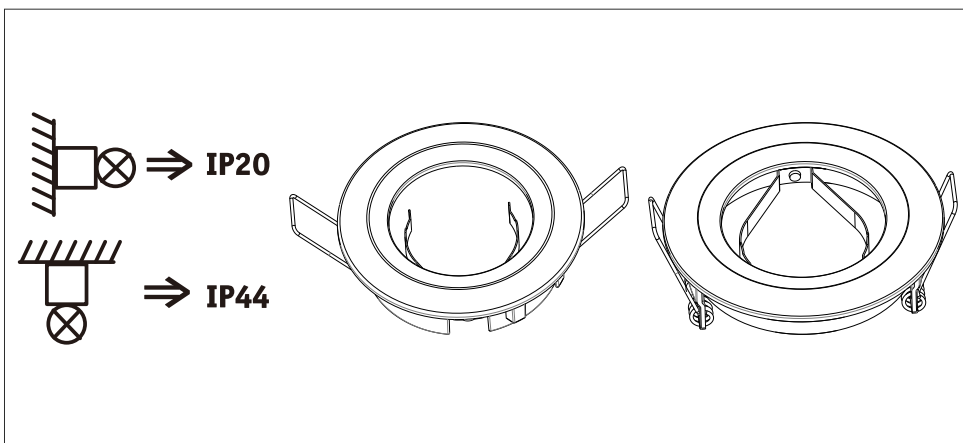
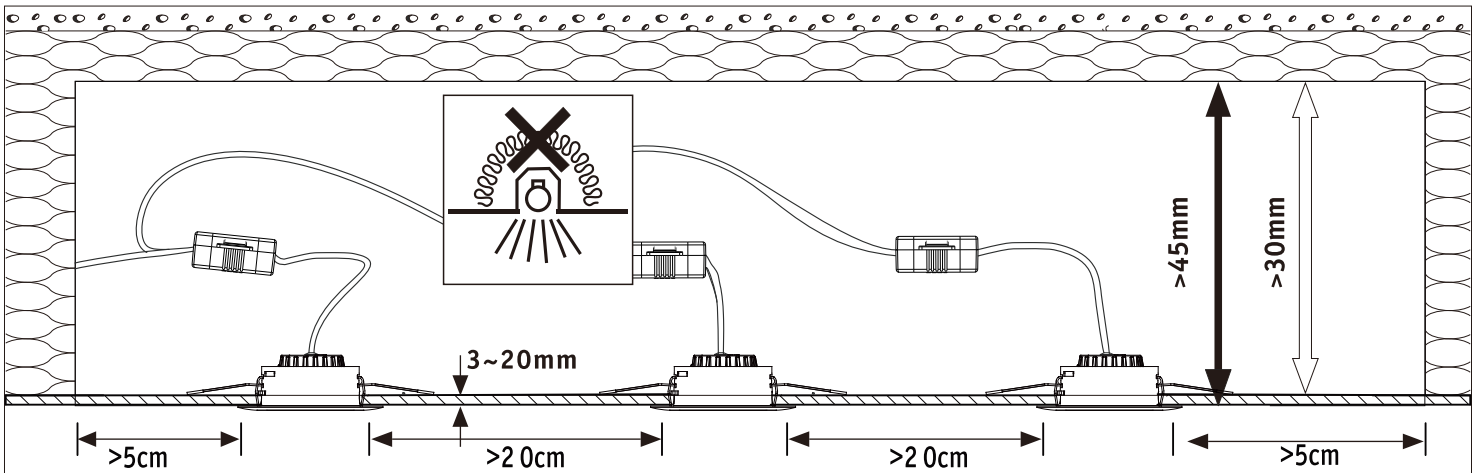
3x

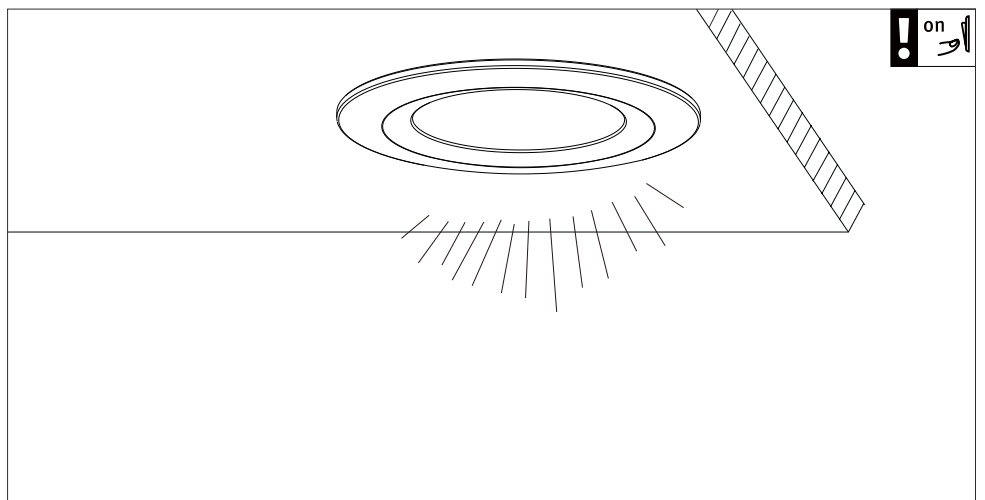
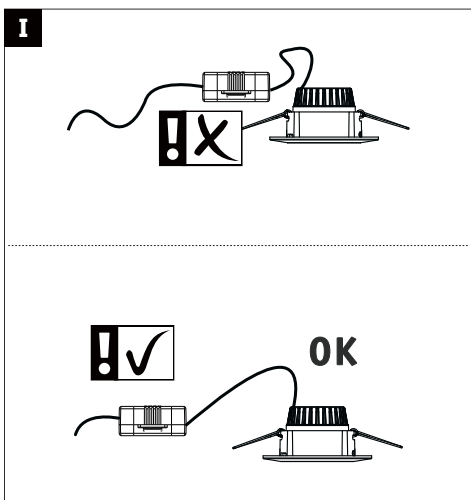
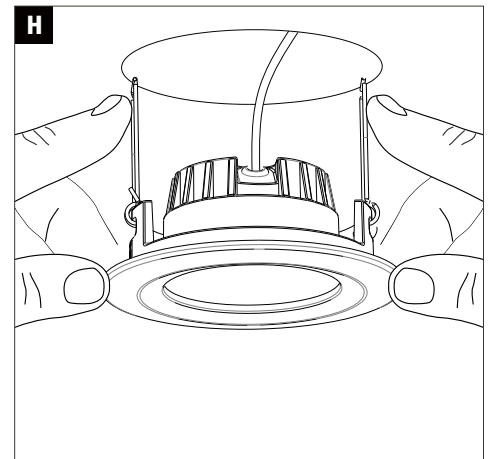
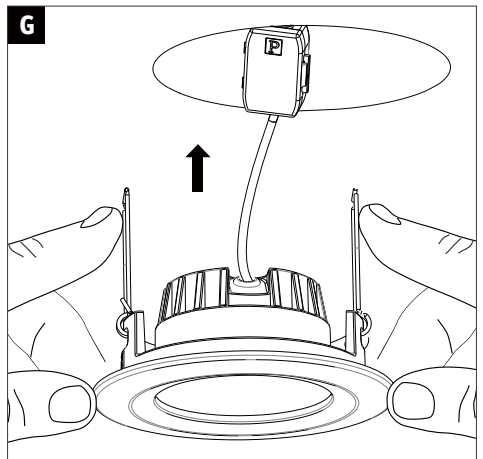
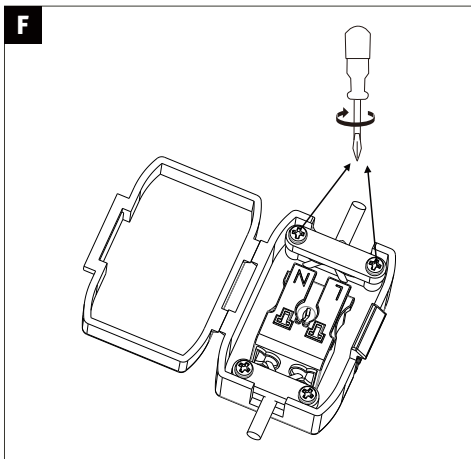
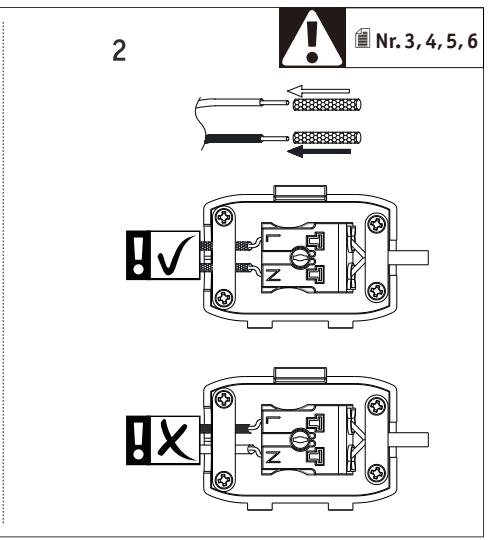
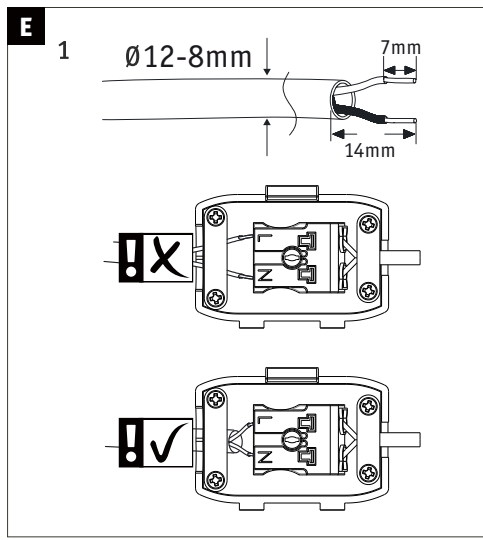
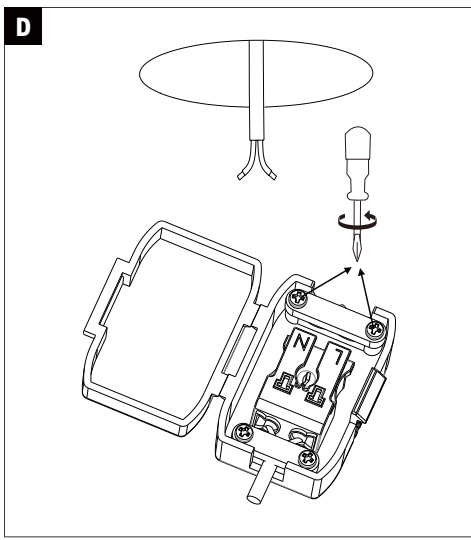


3x



Incl.





<p>ENERG Y IJA IE IA енергия · ενεργεια</p>	<p>ø 51 mm</p>	<p>460 lm</p> <p>6,5W</p> <p>230 V</p>
<p>A⁺⁺</p> <p>A⁺</p> <p>A⁺</p> <p>A</p> <p>B</p> <p>C</p> <p>D</p> <p>E</p>	<p>≈30x</p> <p>1.000h</p>	<p>warm white</p> <p>2700K</p> <p>CRI/Ra ≥ 80</p>
<p>7 kWh/1000h</p>	<p>ON OFF</p> <p>>50.000</p> <p>Lumen 60%</p> <p><1 s</p>	<p>390093459</p>