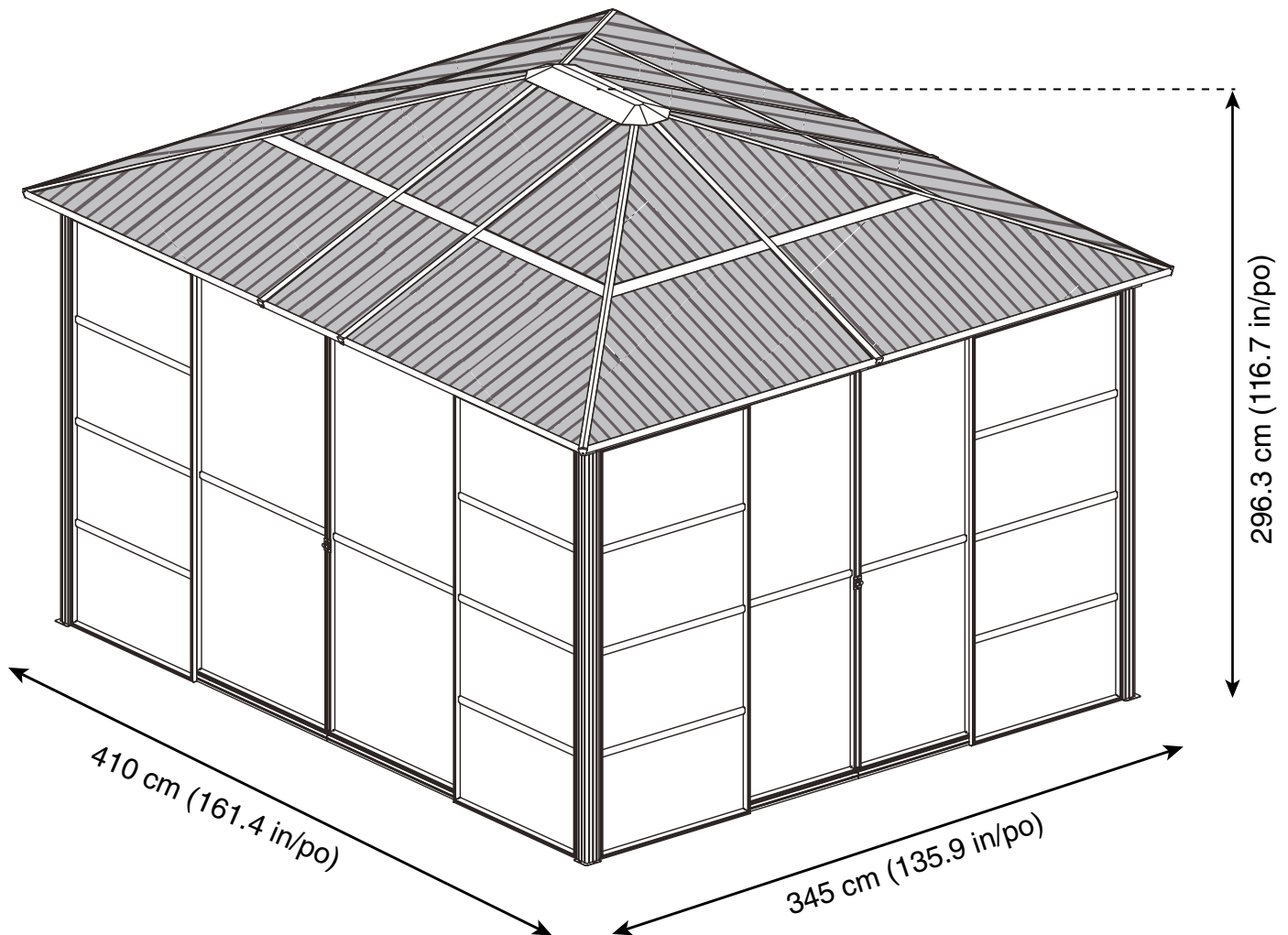


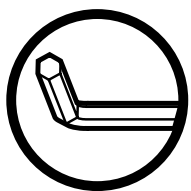
# SOJAG

produits saisonniers • seasonal products

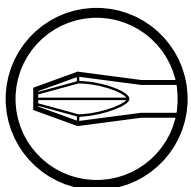
Sojag code: 999-7161366  
CUP/UPC code: 772830161366

## Assembly Manual / Guide d'assemblage / Manual de ensamblaje / 조립 설명서 / Montageanleitung

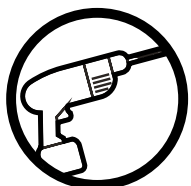




Use the hex keys in the box. / Utilisez les clés hexagonales fournies dans la boîte. / Utilice las llaves hexagonales en la caja. / 상자에 육각 키를 사용 하십시오. / Verwenden Sie die Sechskantschlüssel in der Box.



Please use a Phillips screwdriver. / Utilisez un tournevis de type Phillips / Por favor, use un destornillador Phillips. / 십자 드라이버를 사용 하십시오. / Bitte verwenden Sie einen Kreuzschraubenzieher.



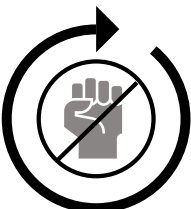
You may need to use a drill for this step. / Vous pouvez avoir besoin d'utiliser une perceuse pour cette étape. / Puede que tenga que utilizar un taladro para este paso. / 이 단계에선 드릴을 사용해야 할 수도 있습니다. / Für diesen Schritt können Sie einen Bohrer verwenden.



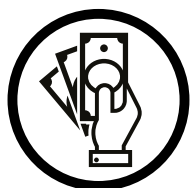
Wearing protective gloves is recommended. / Le port de gants de protection est recommandé / El uso de guantes de protección se recomienda. / 보호 장갑을 착용 하는 것이 좋습니다. / Das Tragen von Schutzhandschuhen wird empfohlen.



Two or more people are required at this stage. / Deux personnes ou plus sont nécessaires à cette étape. / Dos o más personas se requieren en esta etapa. / 이 단계에서는 두 명 이상이 필요합니다. / Für diesen Bauschritt sind 2 oder mehr Personen erforderlich.

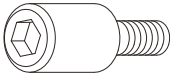


Do not tighten screws all the way for now. / Ne pas visser fermement pour l'instant. / No atornille con firmeza por ahora. / 아직 나사를 단단히 조이지 마십시오. / Bitte die Schrauben zum jetzigen Zeitpunkt noch nicht fest anziehen.




Sold separately. / Vendus séparément. / vendido en las opciones. / 옵션 판매 / Optional erhältlich

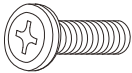
**T1** X 24 (+2)



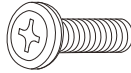
**V1** X 16 (+2)



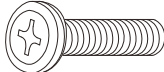
**A2** X 229 (+10)



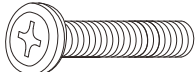
**B2** X 16 (+2)



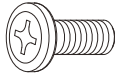
**C2** X 16 (+2)



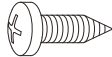
**D2** X 25 (+2)




**E2** X 32 (+3)




**F2** X 64 (+6)




**H2** X 17 (+2)



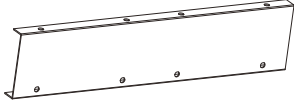
**K2** X 4




**K3** X 8



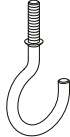
**K4** X 4

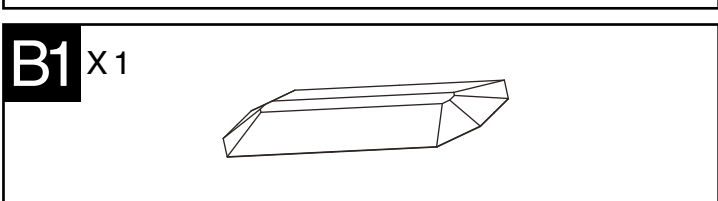
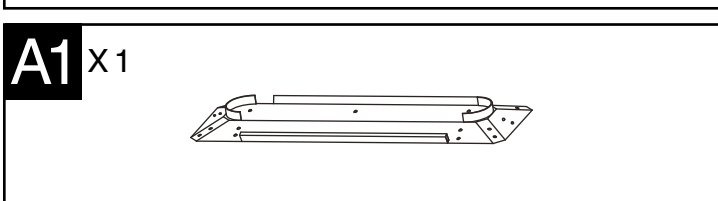
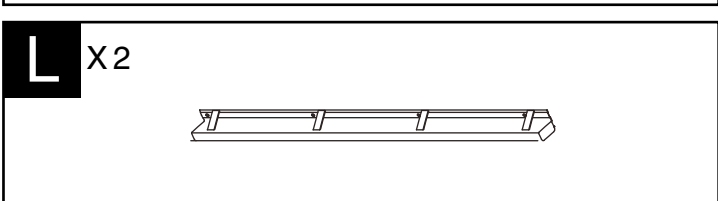
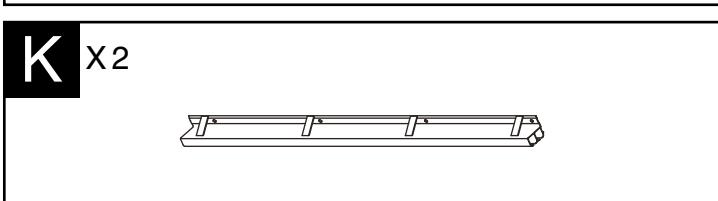
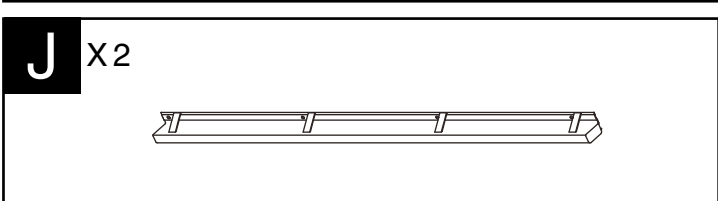
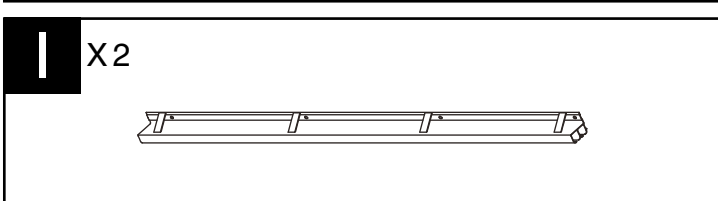
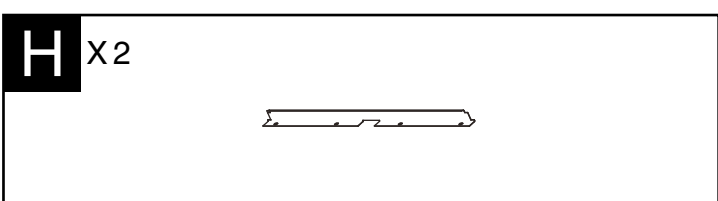
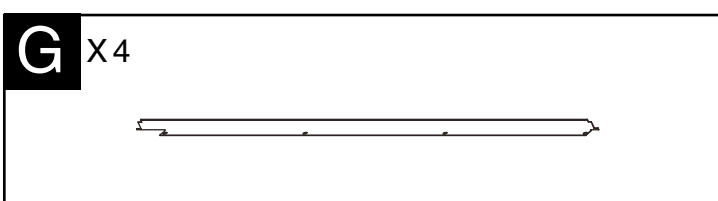
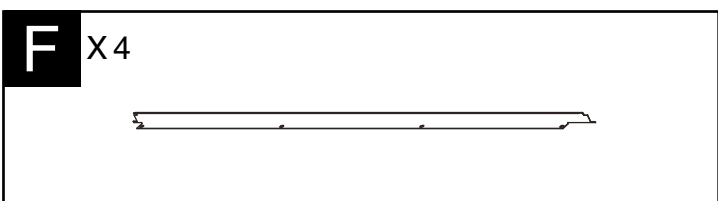
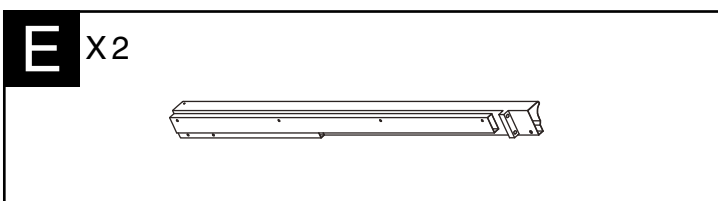
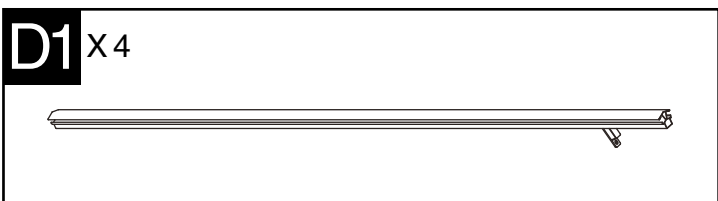
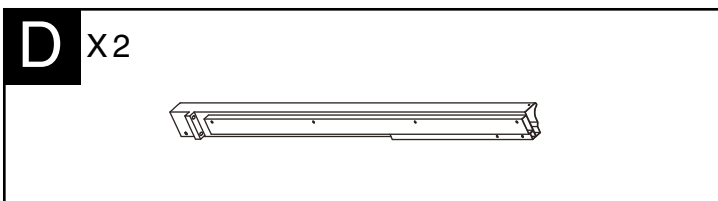
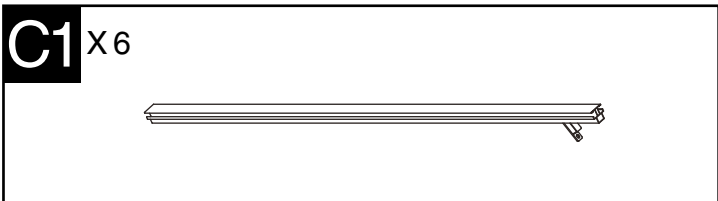
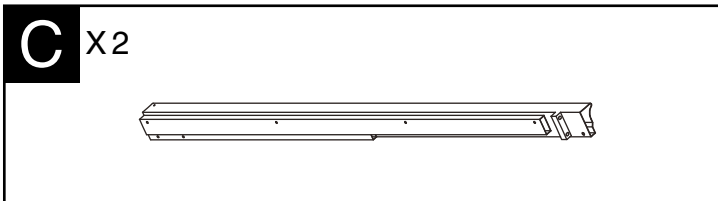
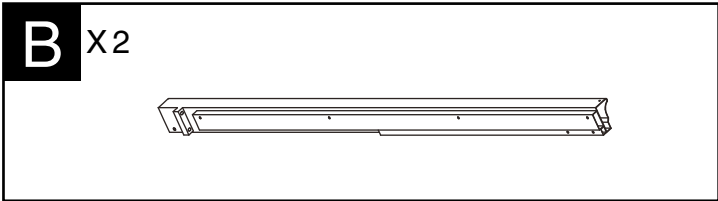
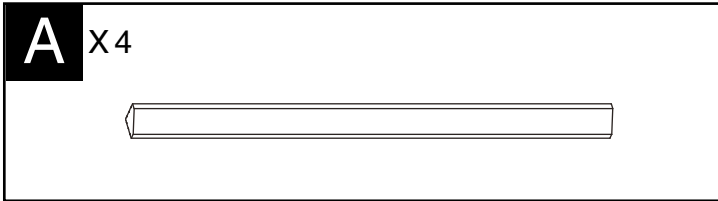


**G2** X 1



**Y** X 2






**S** X2




**T** X2




**U** X2




**V** X2




**K1** X2




**L1** X4




**M1** X4




**N1** X4




**O1** X4




**P1** X2




**W** X1




**X** X5

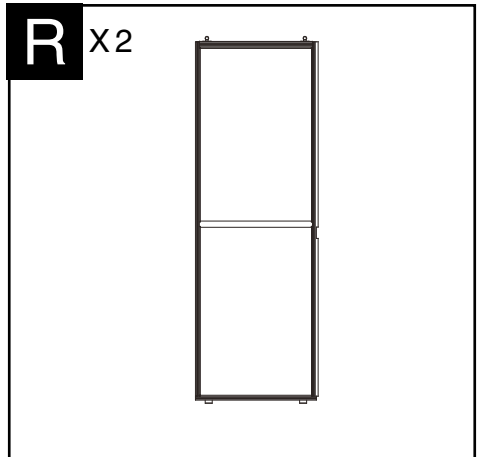
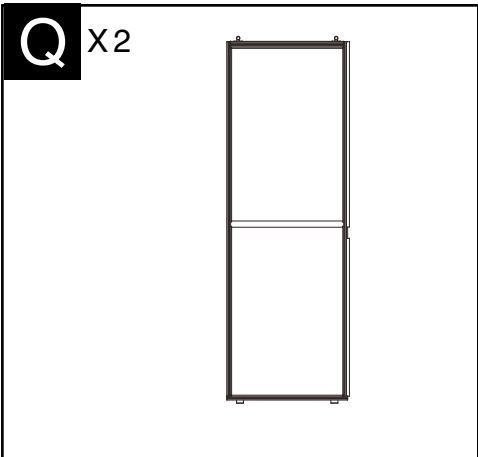
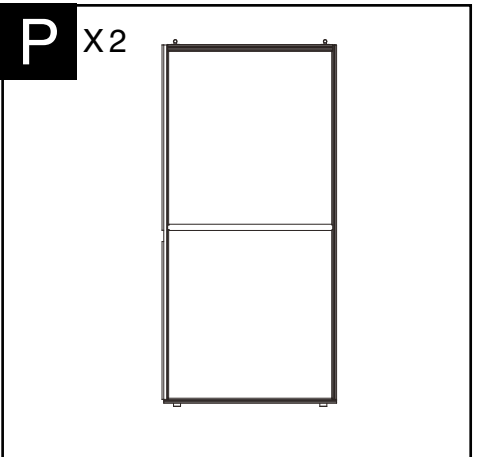
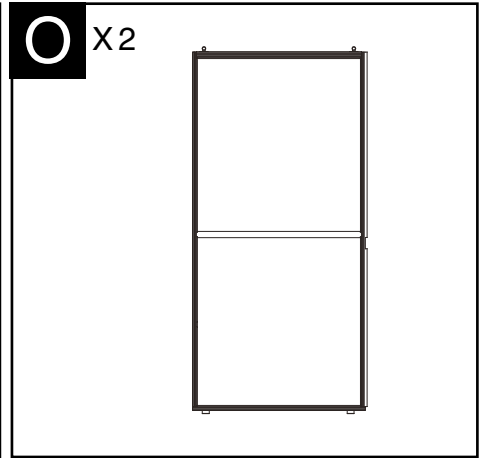
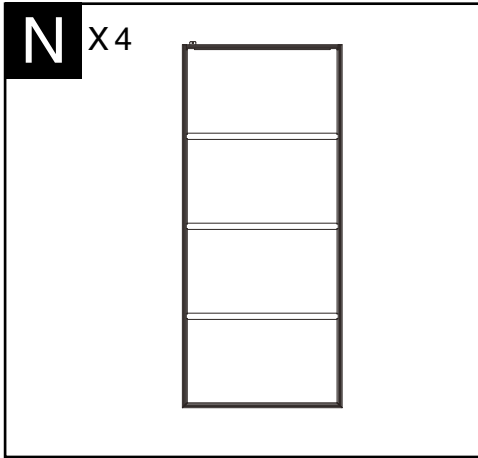
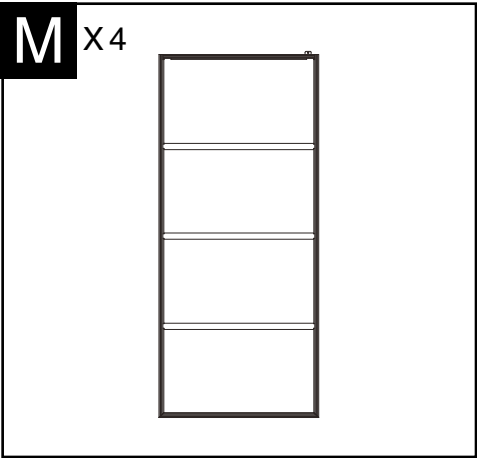
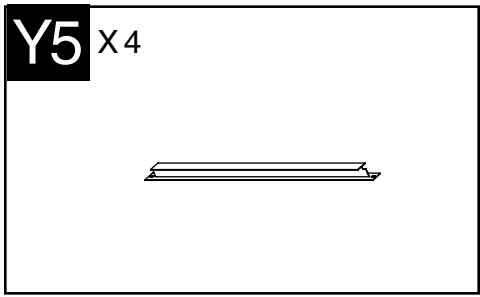
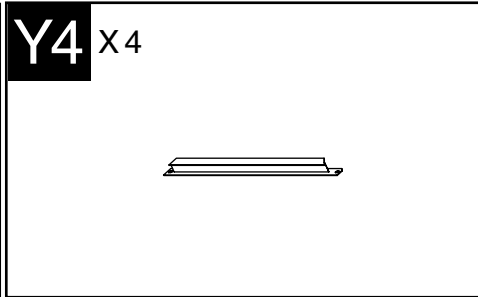
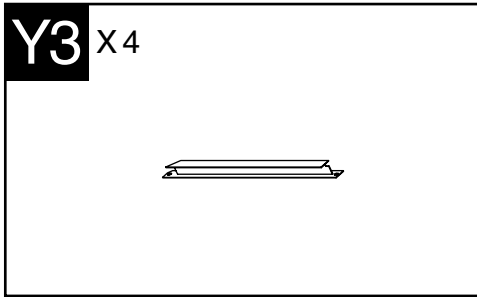
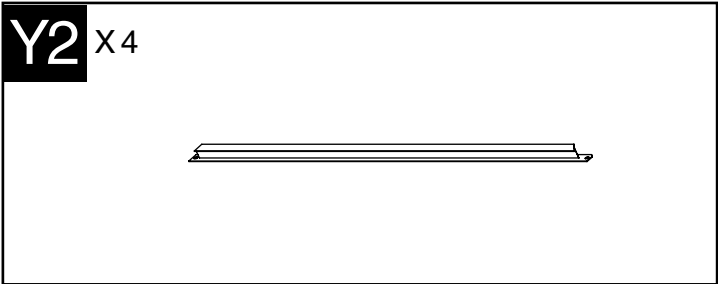
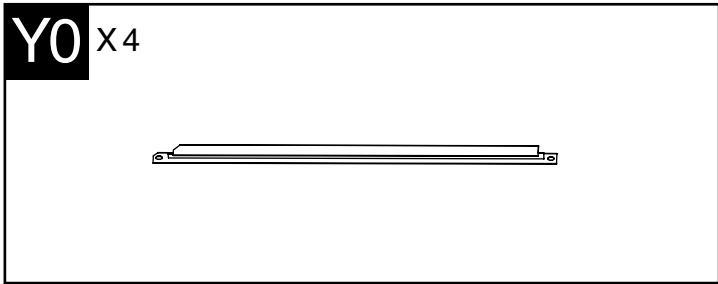



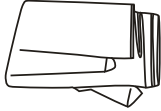




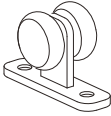


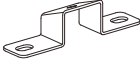

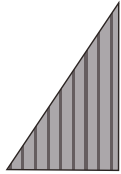
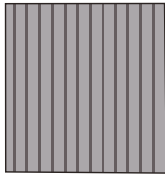
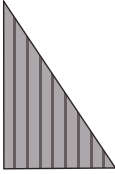
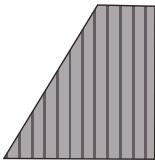
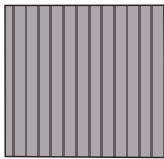
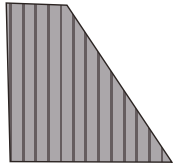
**Y** X6

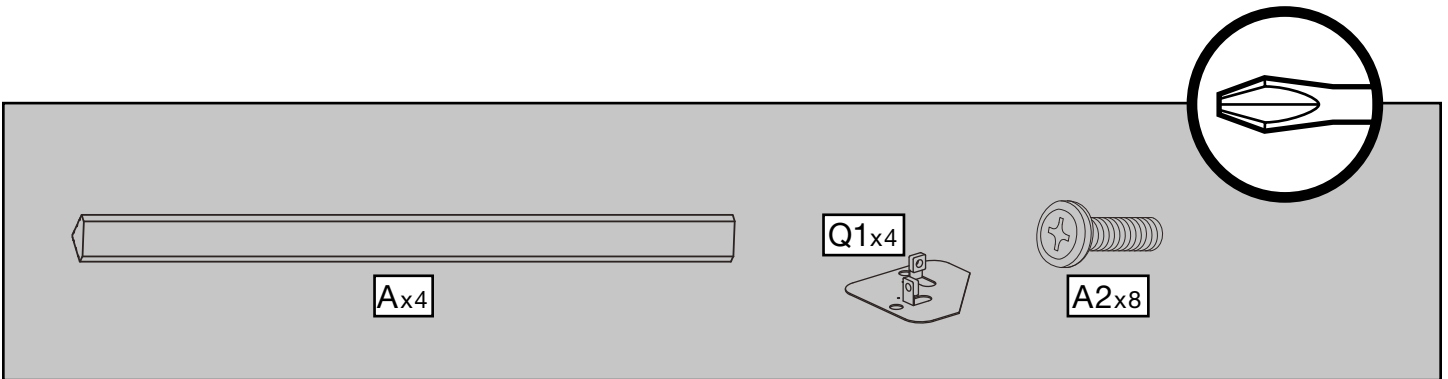
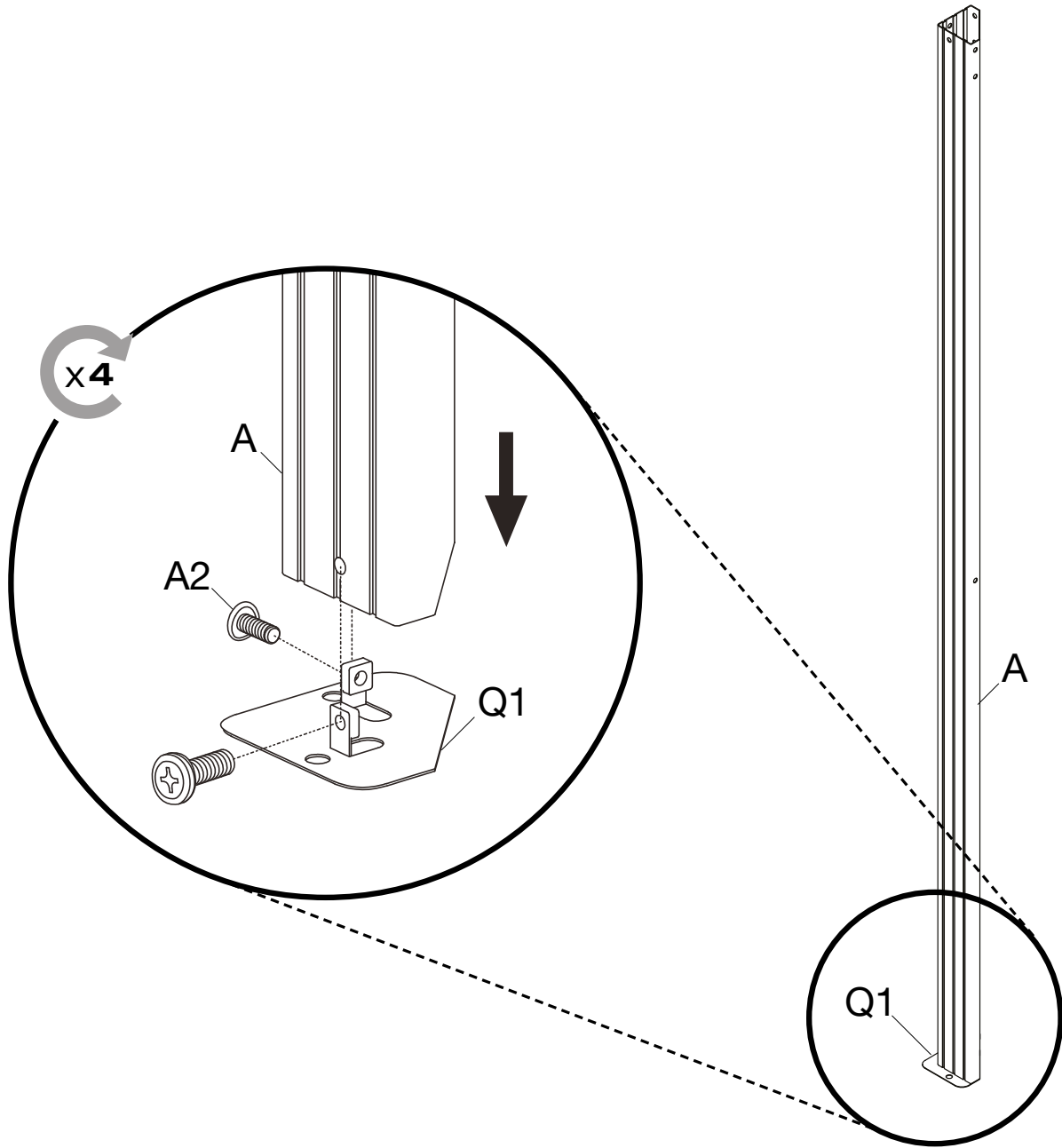


**Z** X4

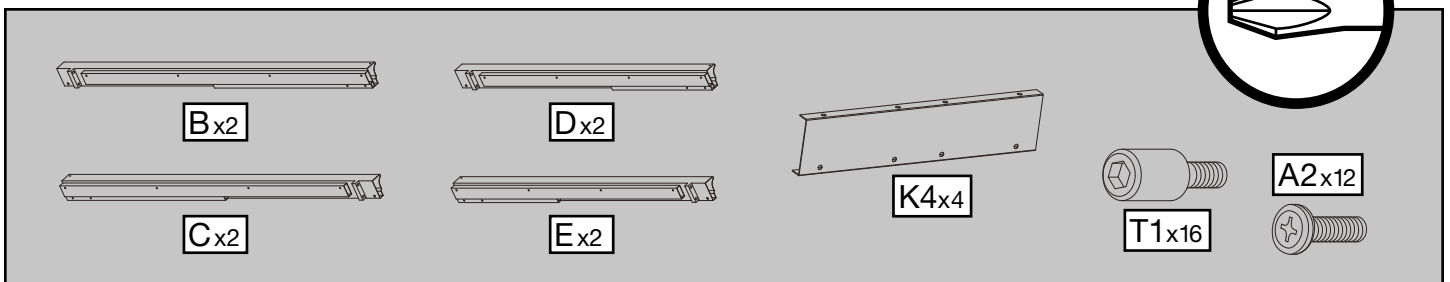
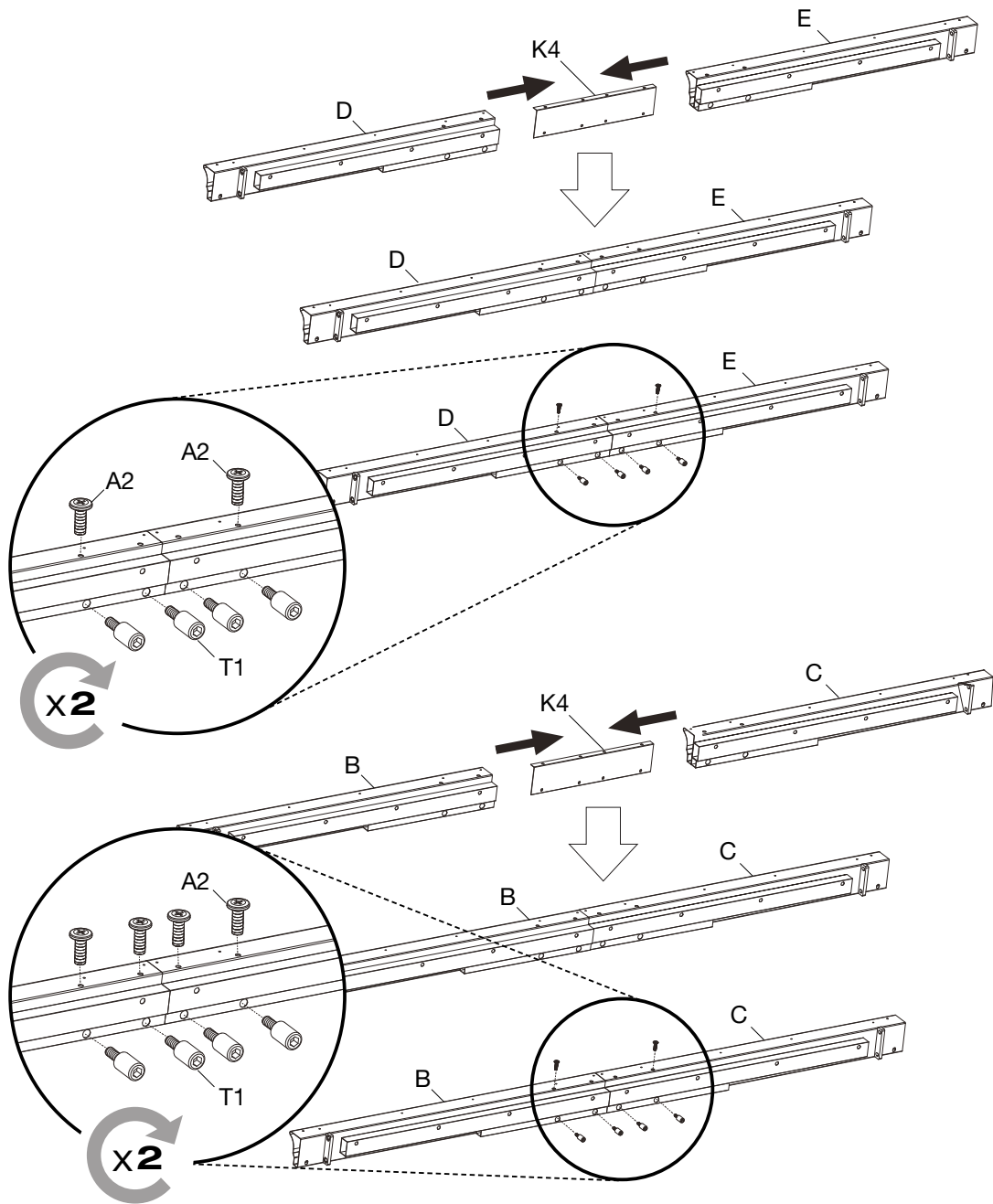


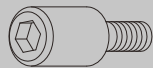
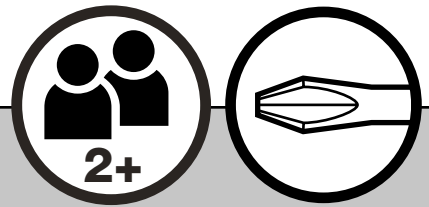
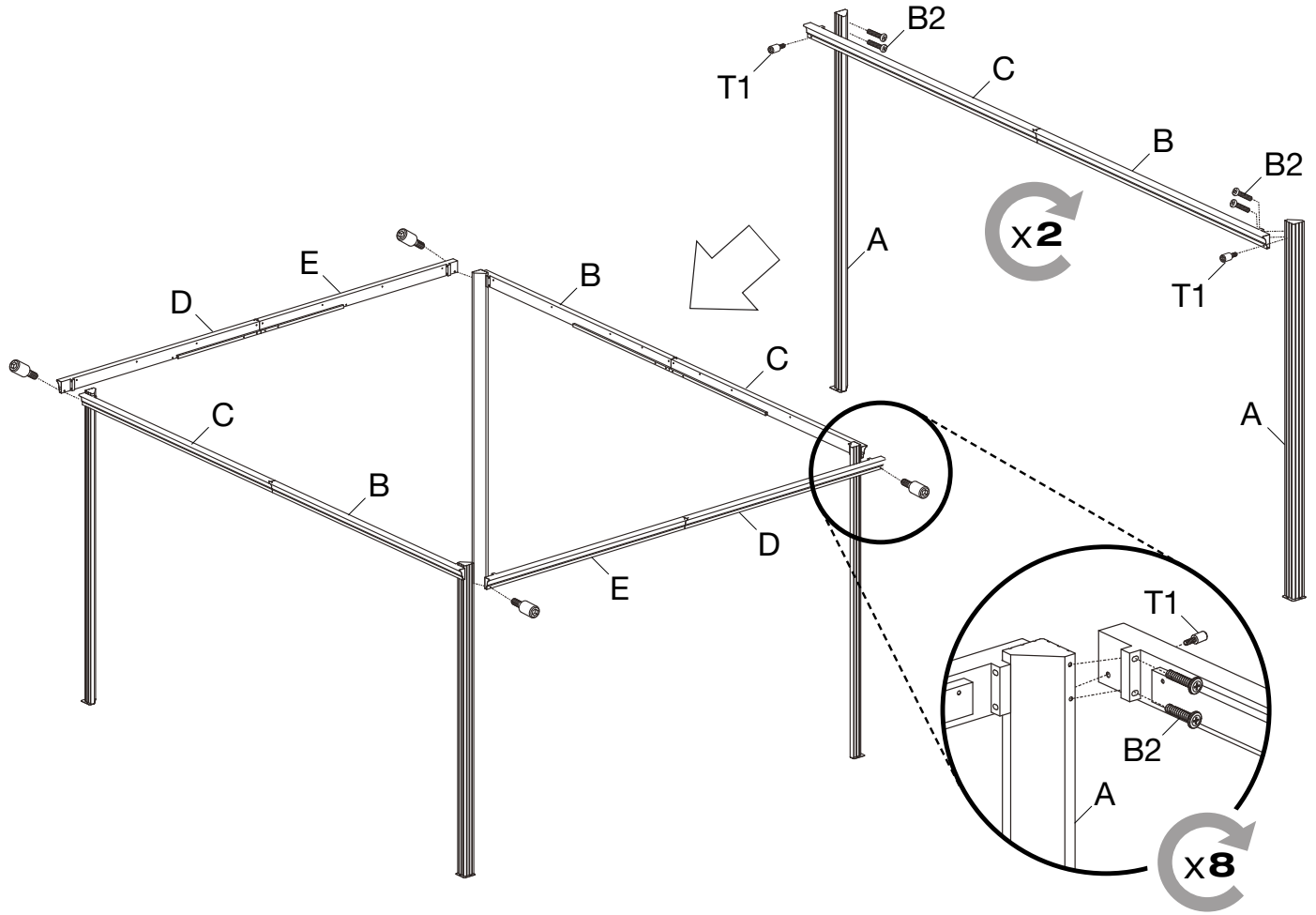


<b>I2</b> X1 	<b>J2</b> X2 	<b>Q1</b> X4 	<b>R1</b> X4 
<b>S1</b> X4 	<b>U1</b> X16 	<b>U2</b> X16 	<b>W1</b> X4 
<b>X1</b> X6 	<b>Y1</b> X6 	<b>Z1</b> X12 	
<b>F1</b> X4 	<b>J1</b> X2 		
<b>E1</b> X4 	<b>H1</b> X4 		
<b>I1</b> X2 	<b>G1</b> X4 		

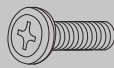




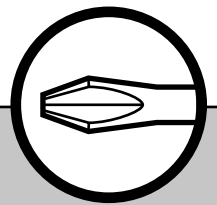
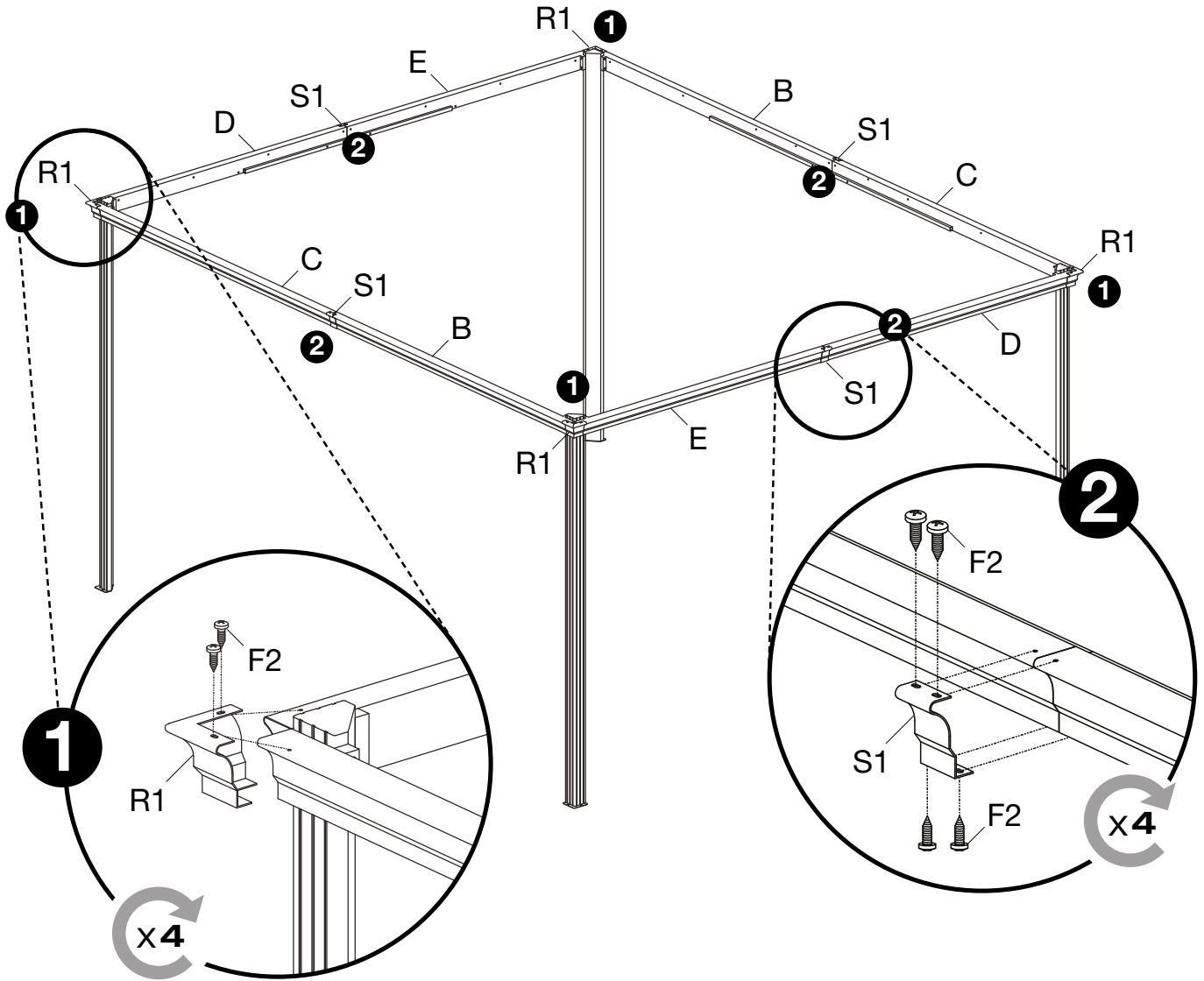




T1x8



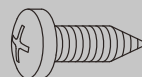
B2x16



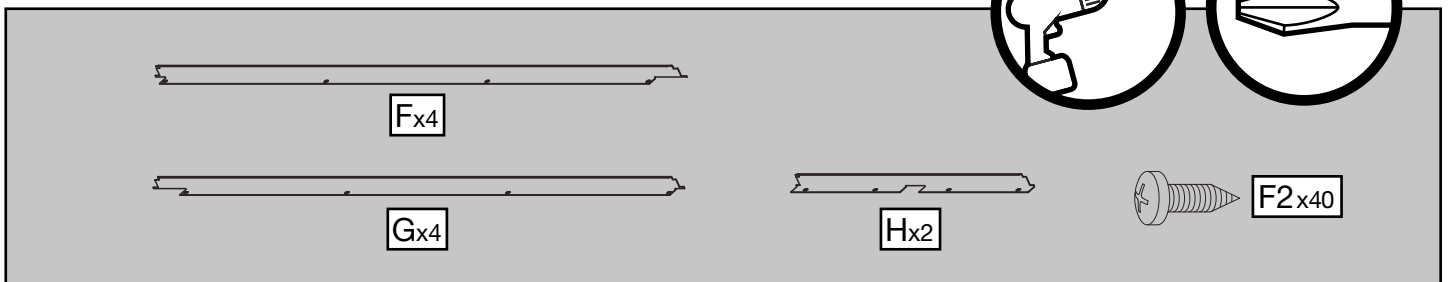
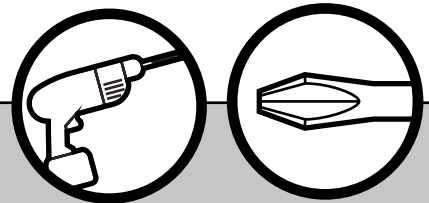
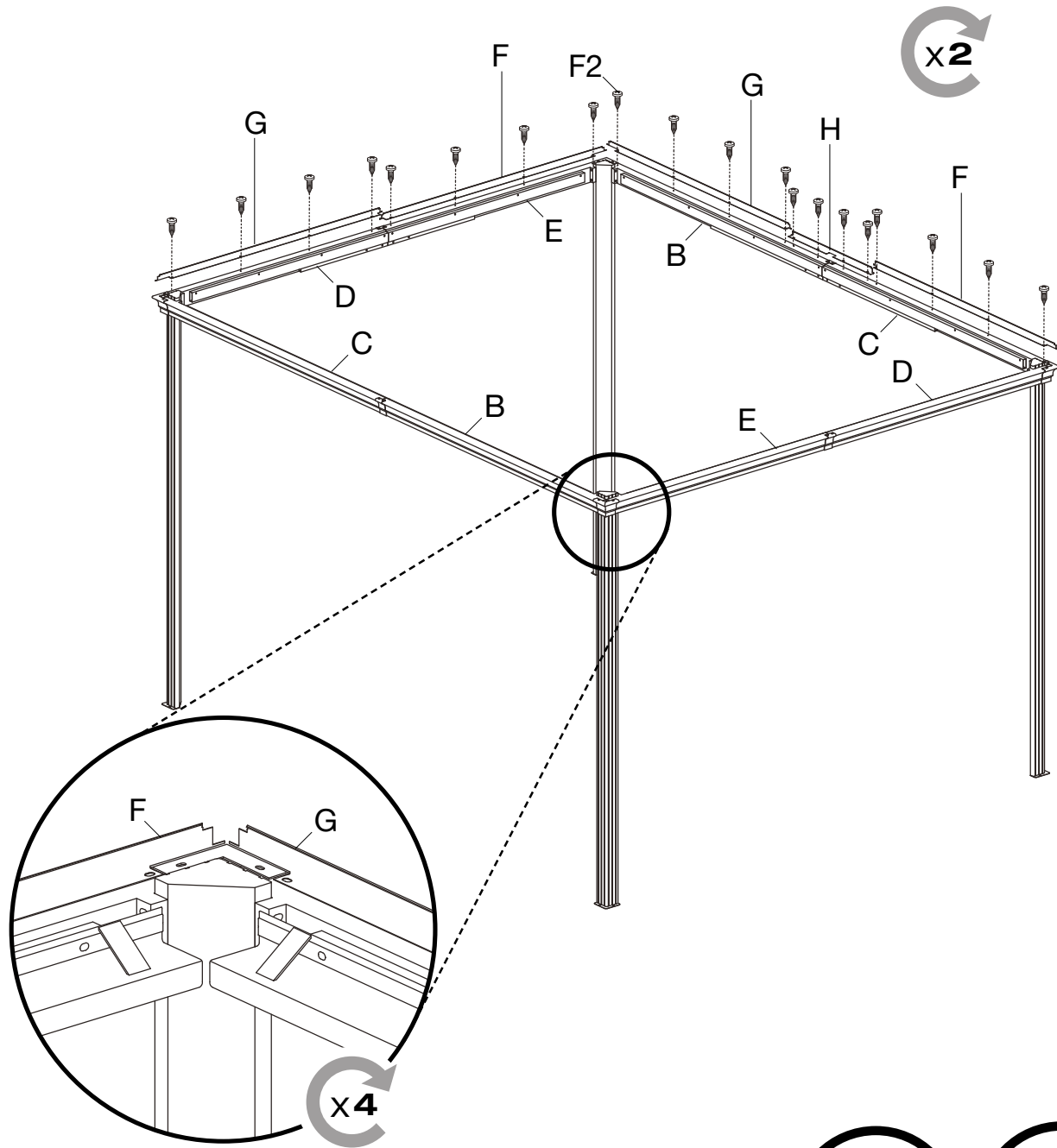
R1x4

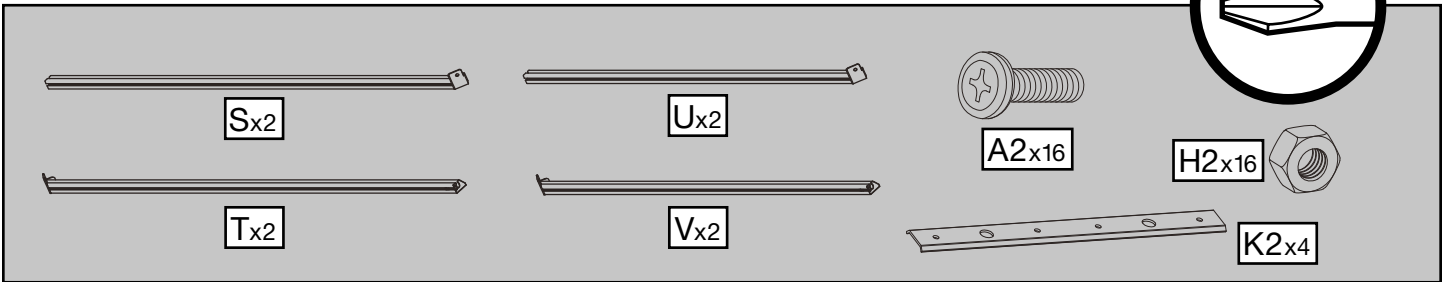
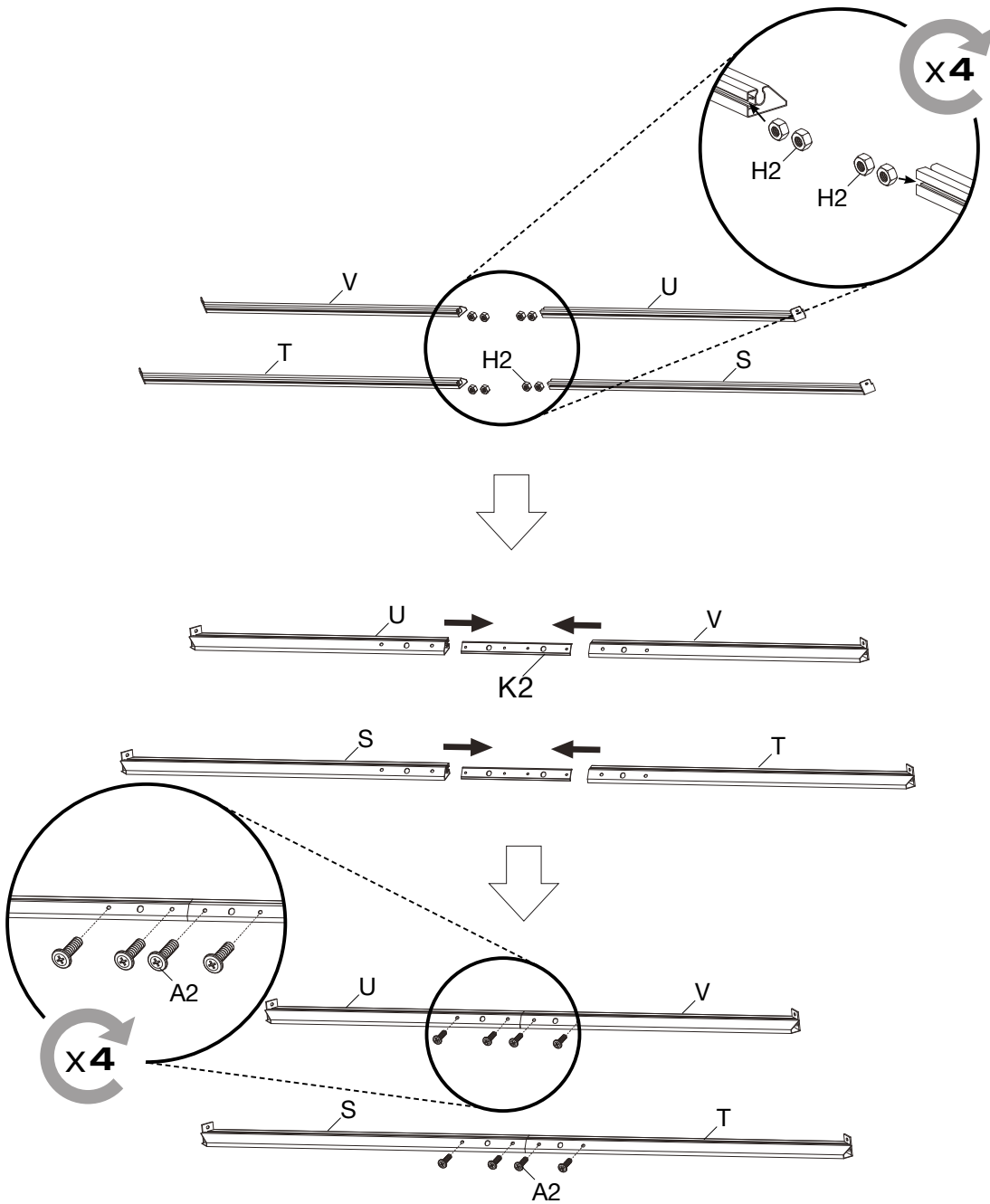


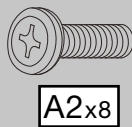
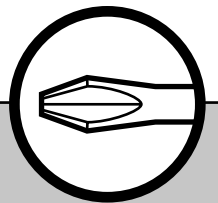
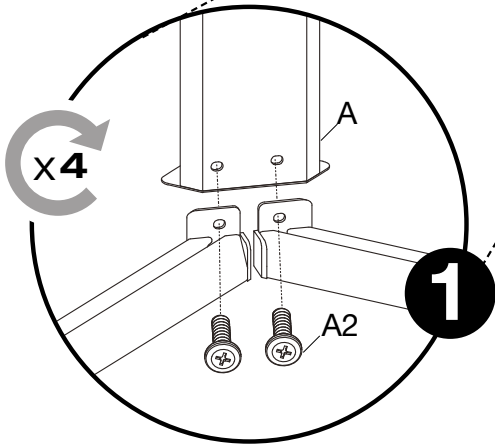
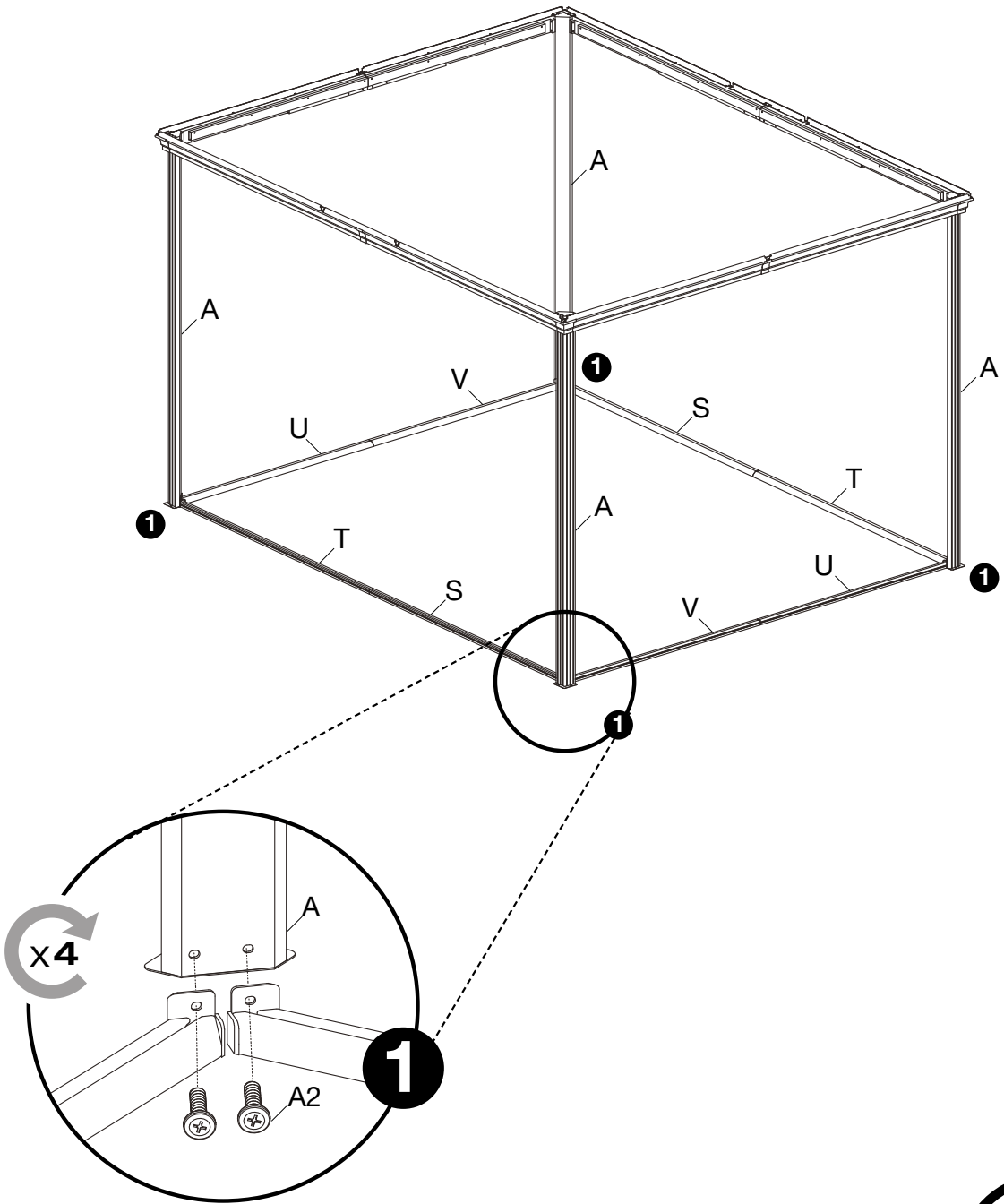
S1x4

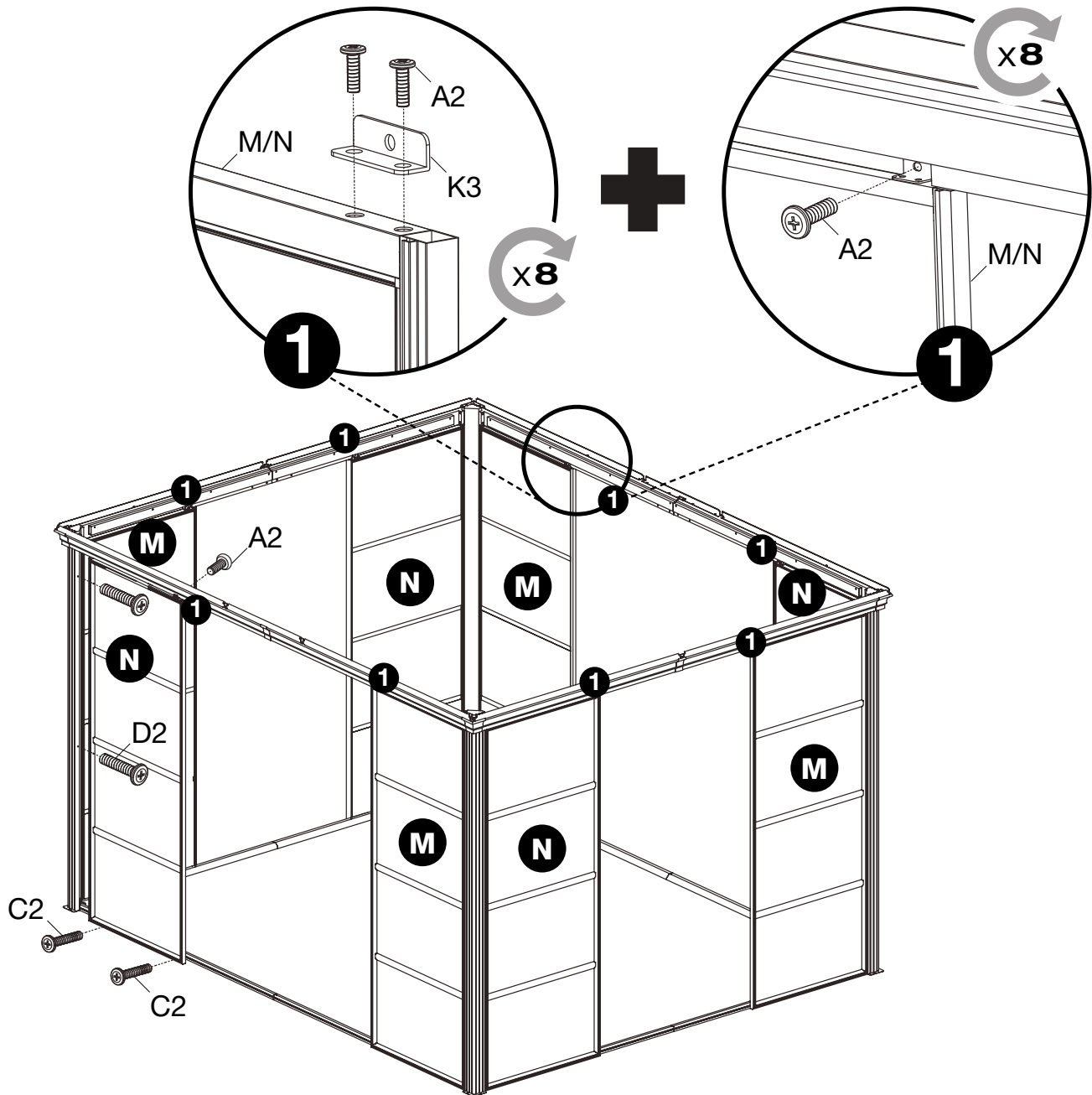


F2x24

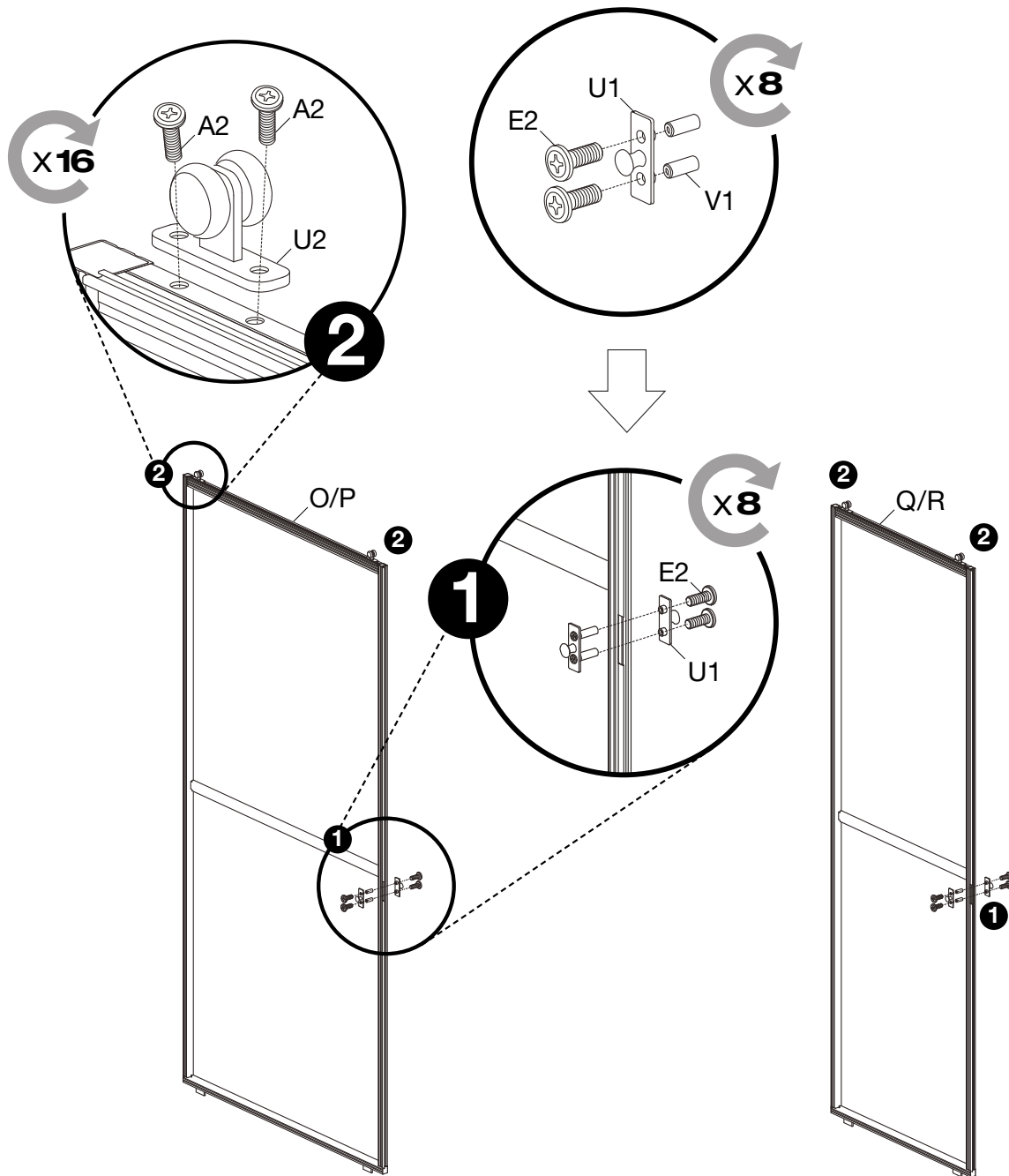








This section contains a parts list and tool icons. On the left, there are two vertical panels, one labeled 'Mx4' and the other 'Nx4'. In the center, there are three screws: 'A2x24', 'D2x16', and 'C2x16'. On the right, there is a bracket labeled 'K3x8'. To the right of the parts list are two circular icons: a power drill and a pair of pliers.

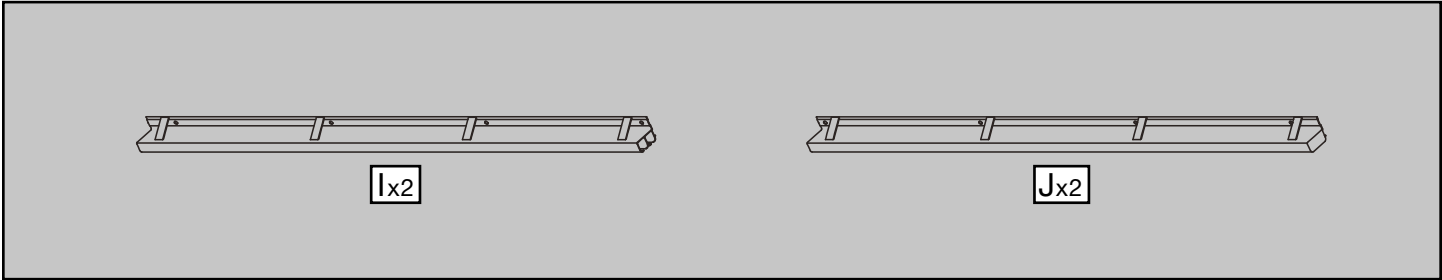
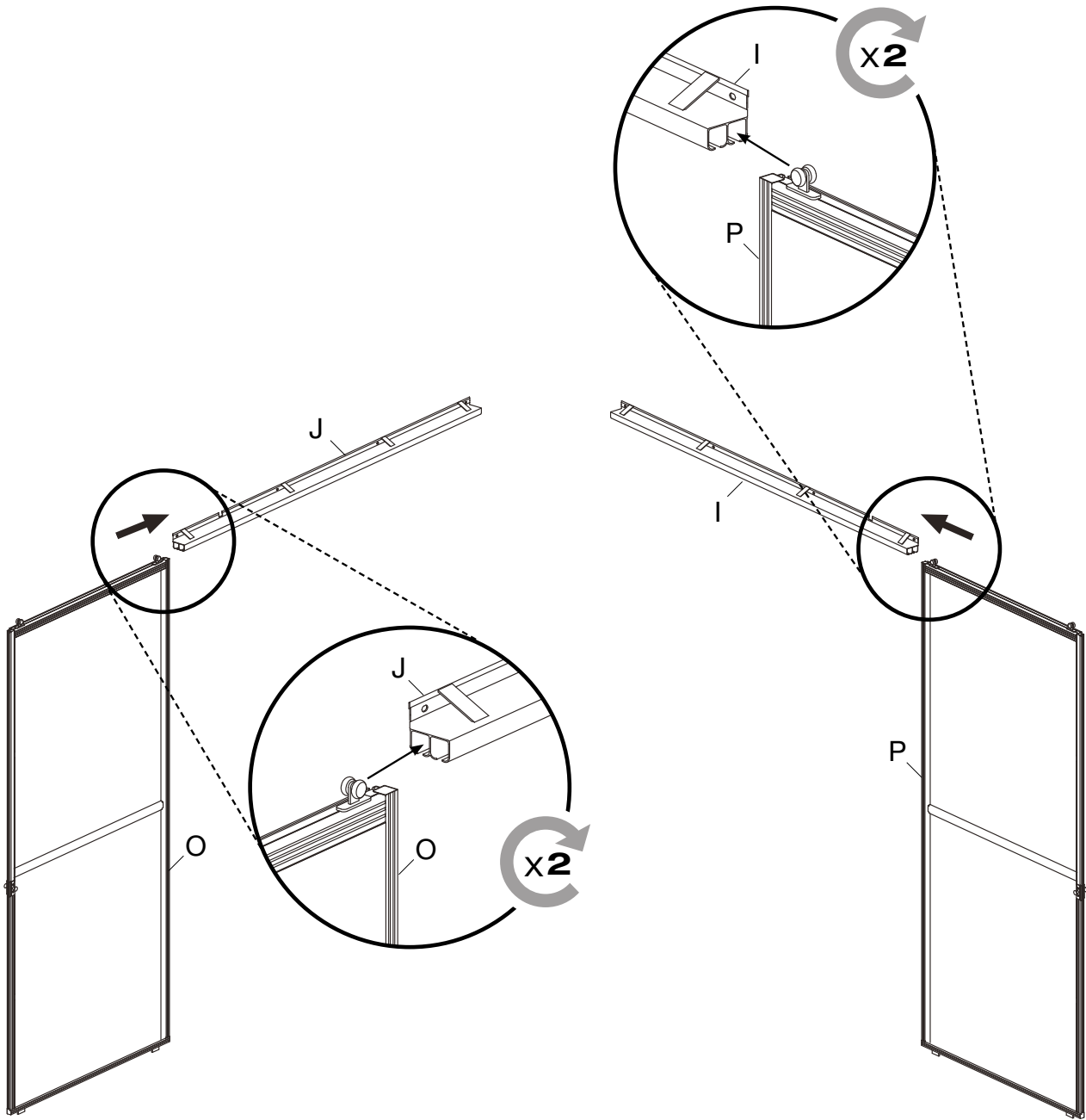


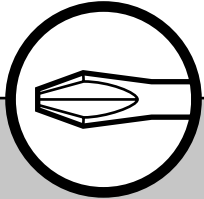
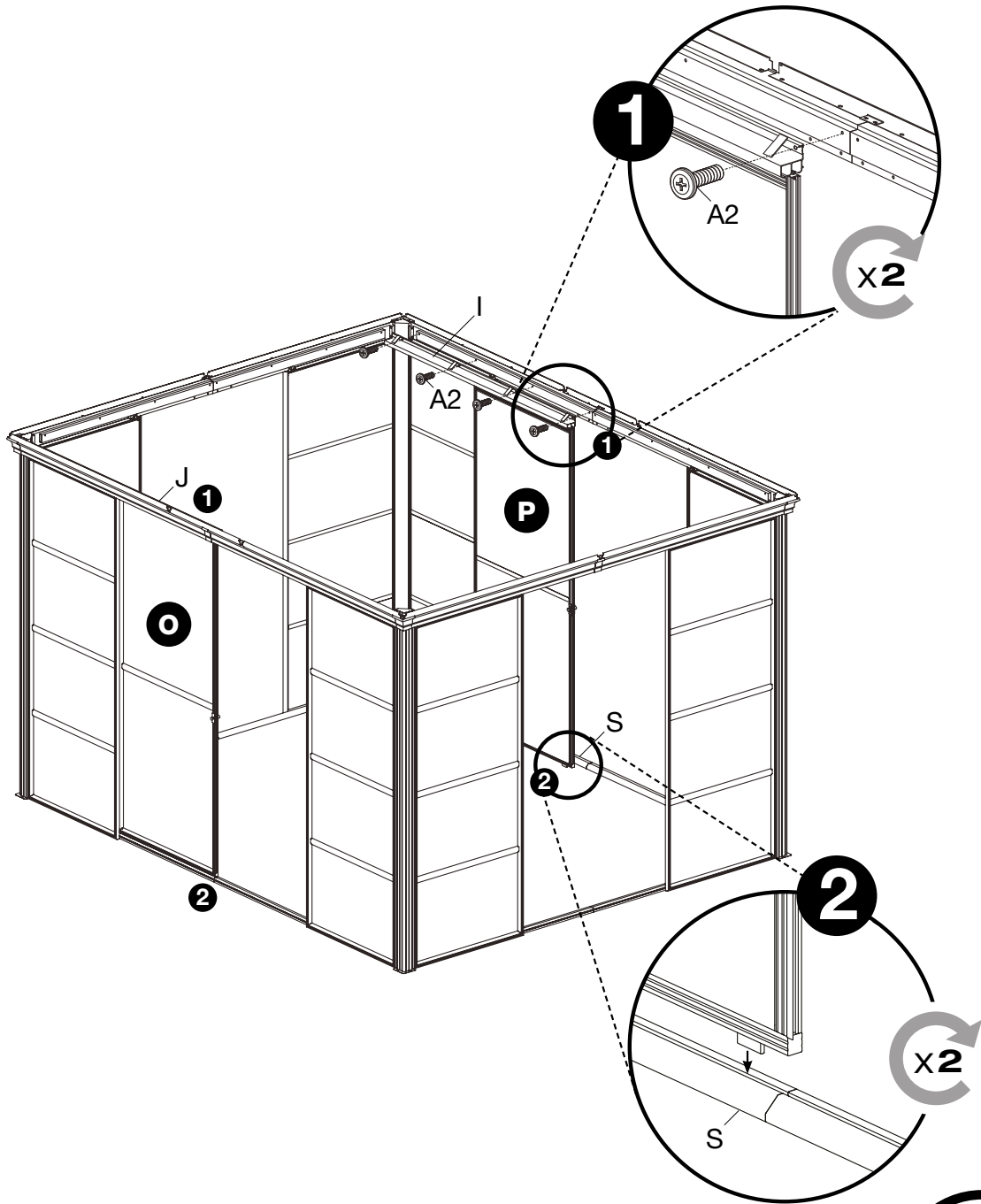
**Parts List:**

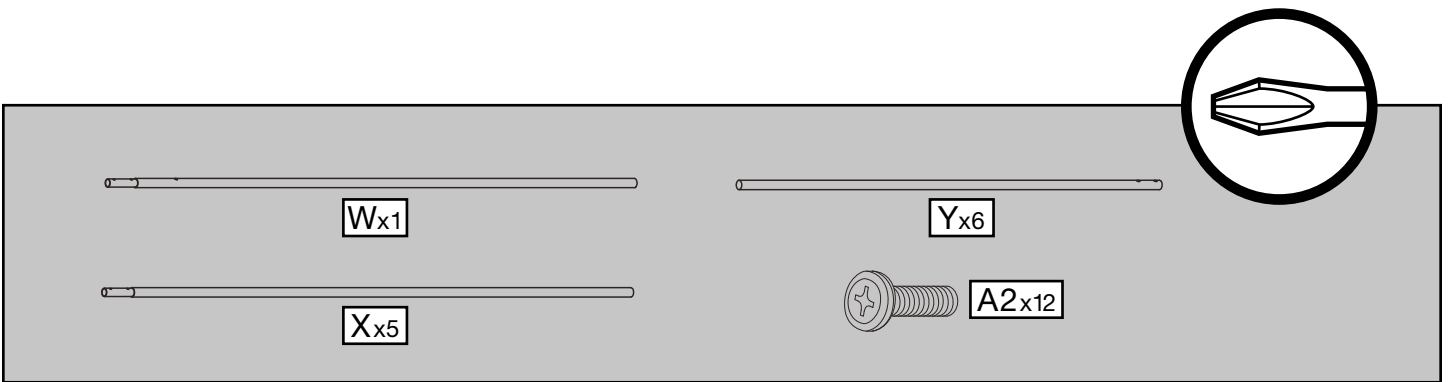
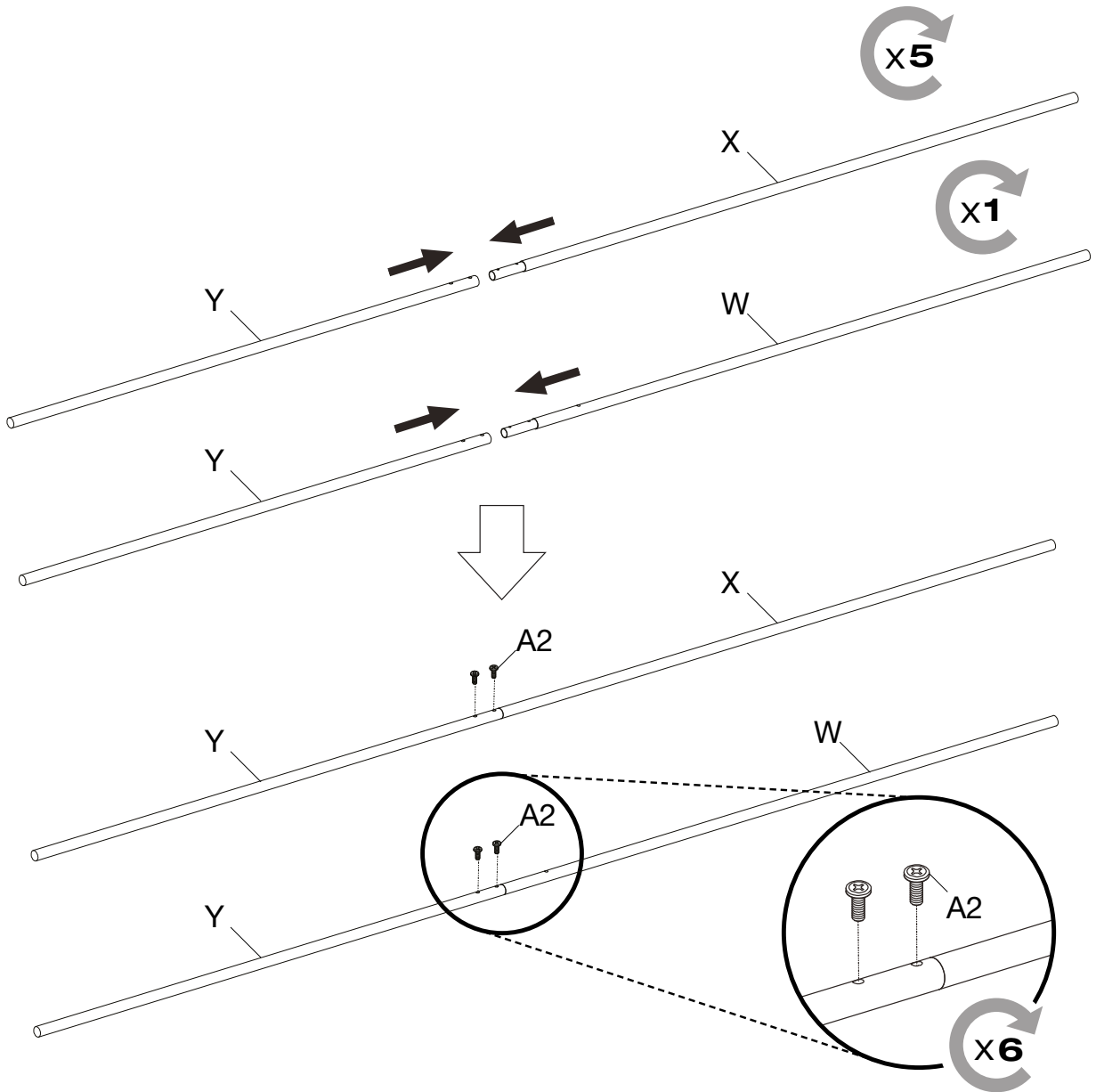
- Ox2
- Px2
- Qx2
- Rx2
- V1x16
- U2x16
- E2x32
- U1x16
- A2x32

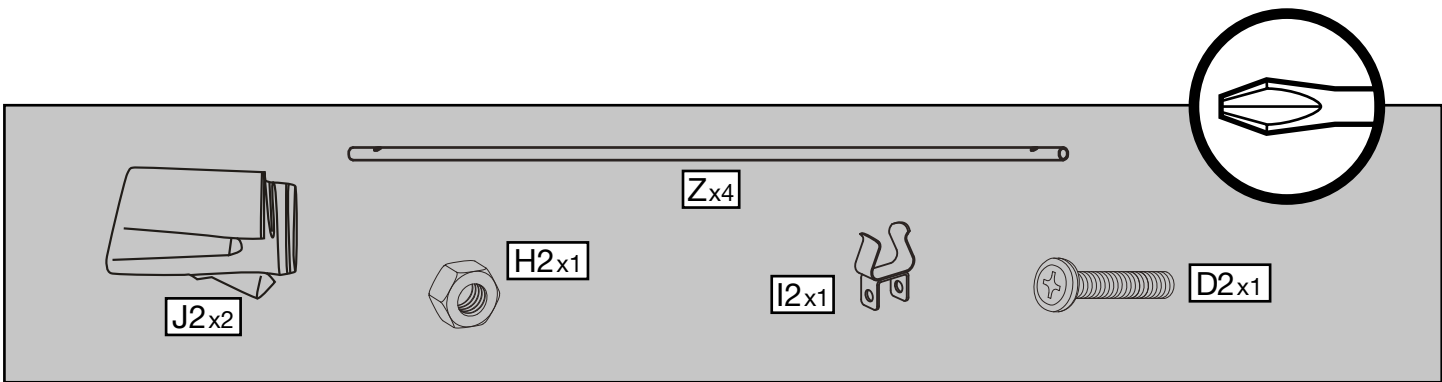
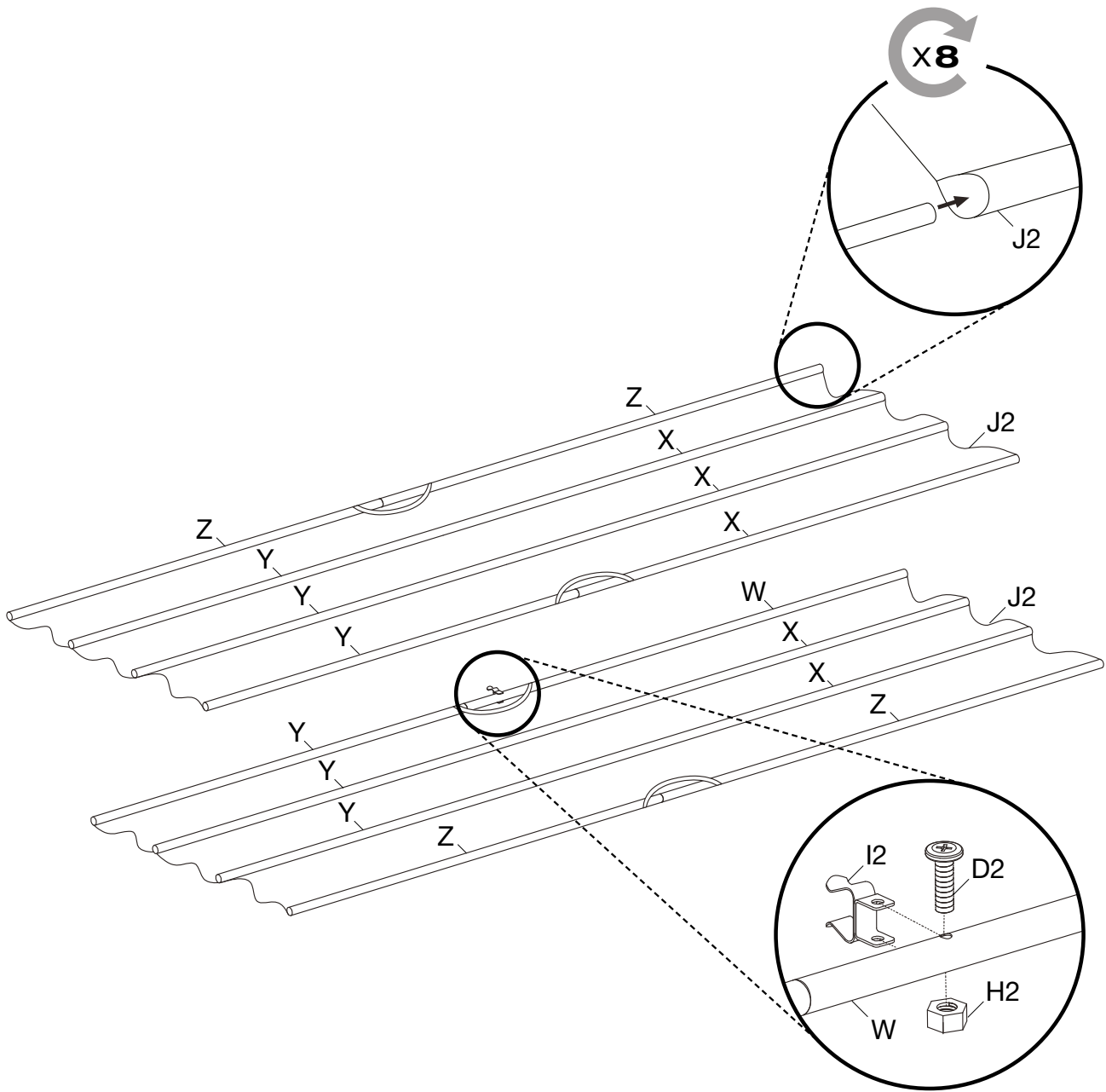
**Tools:** Power drill, Hex key

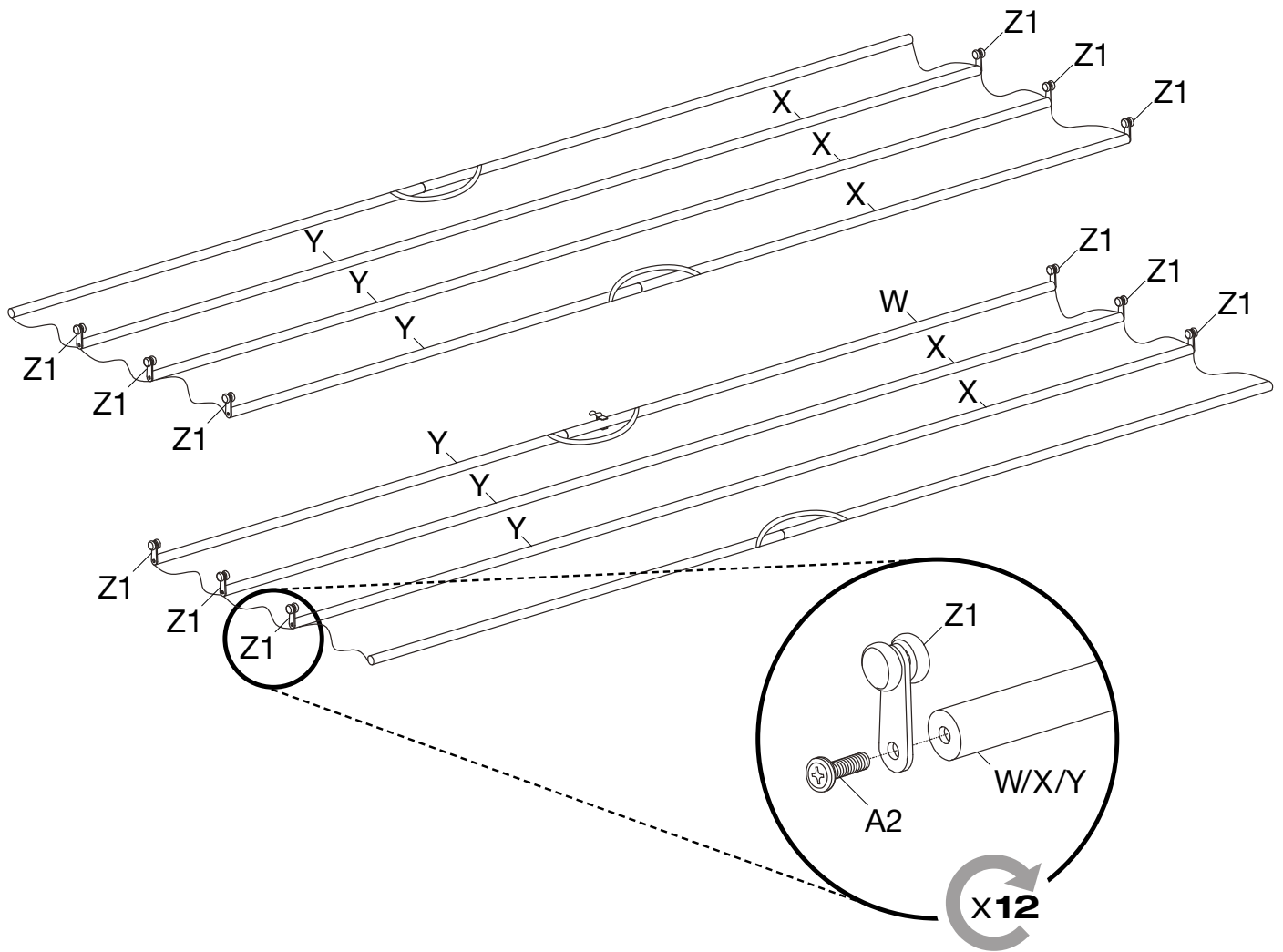








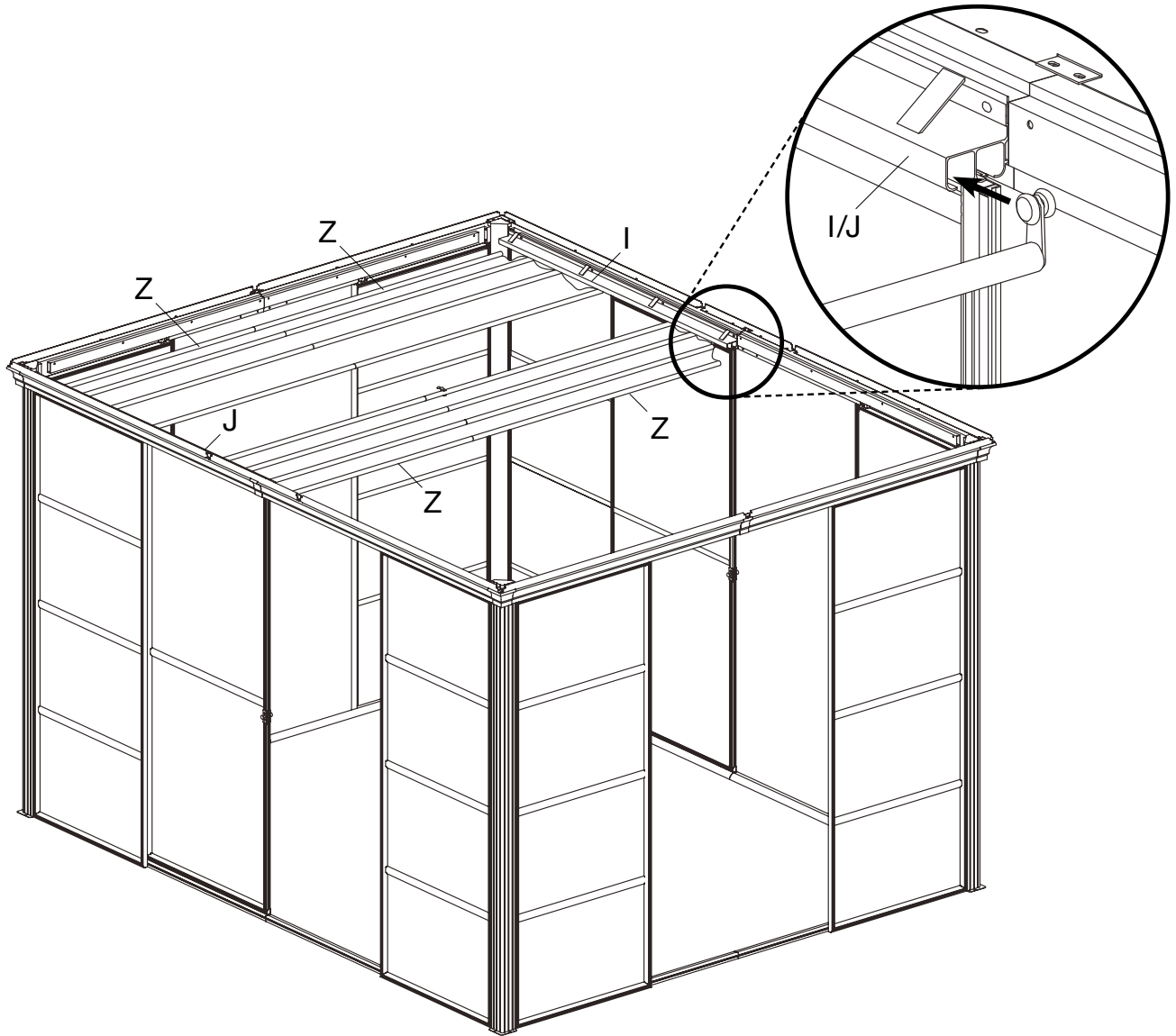


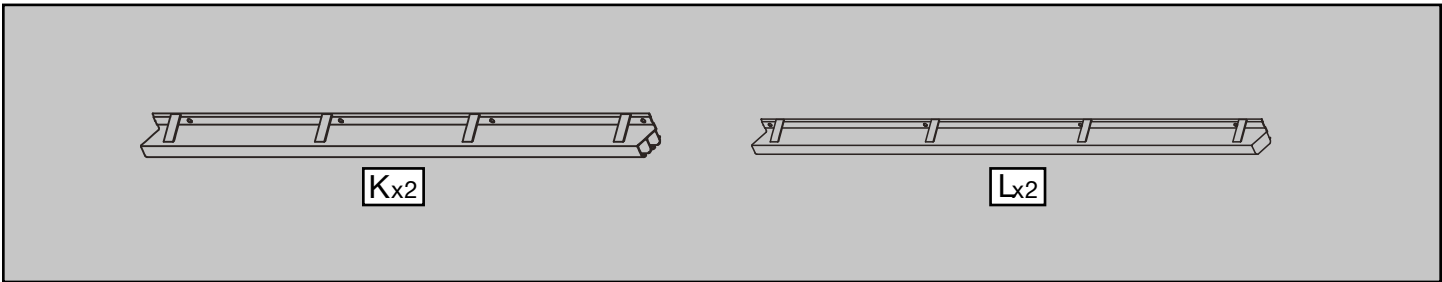
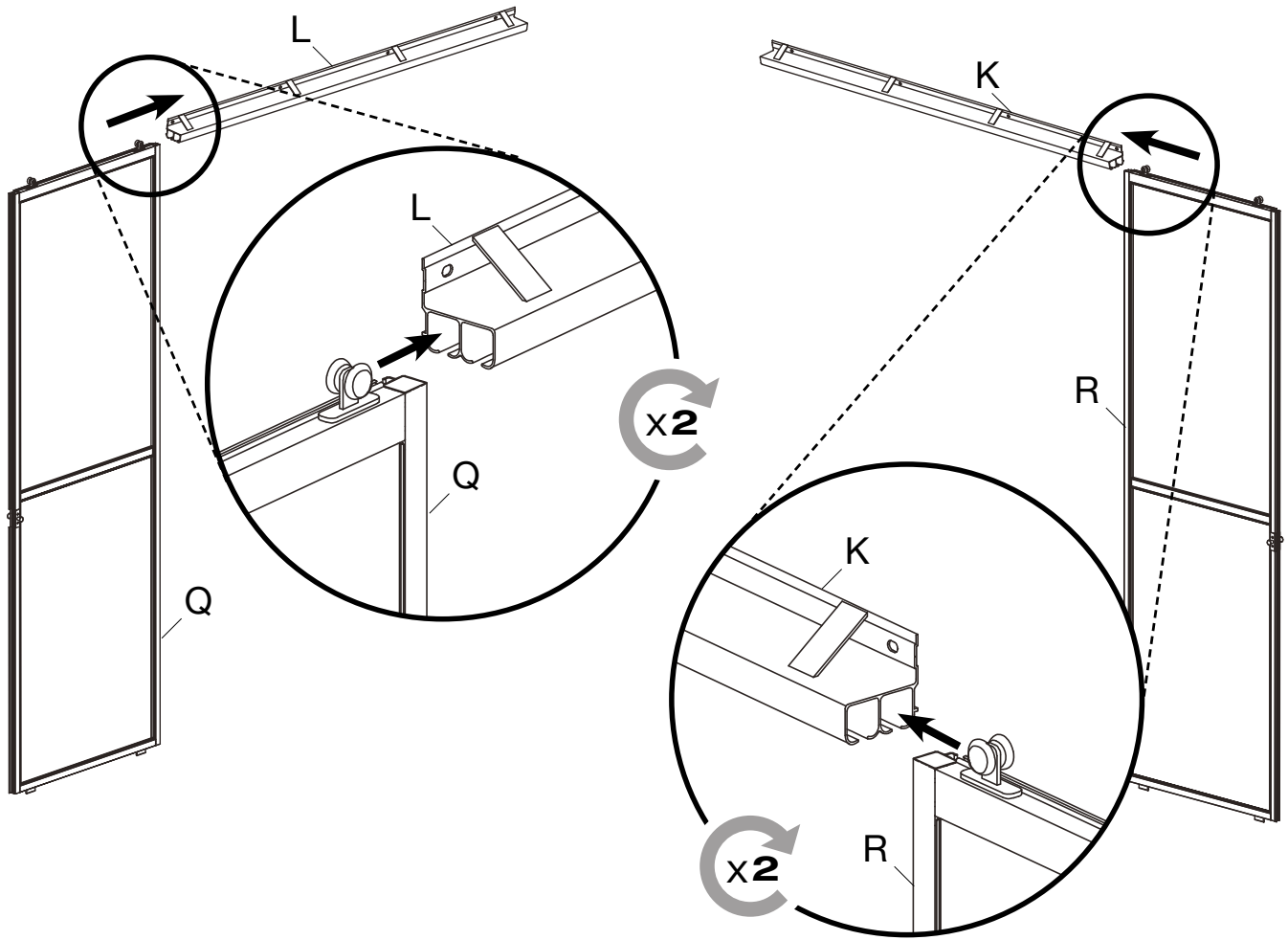


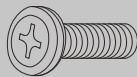
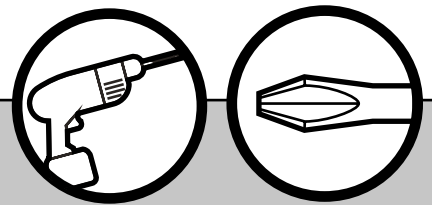
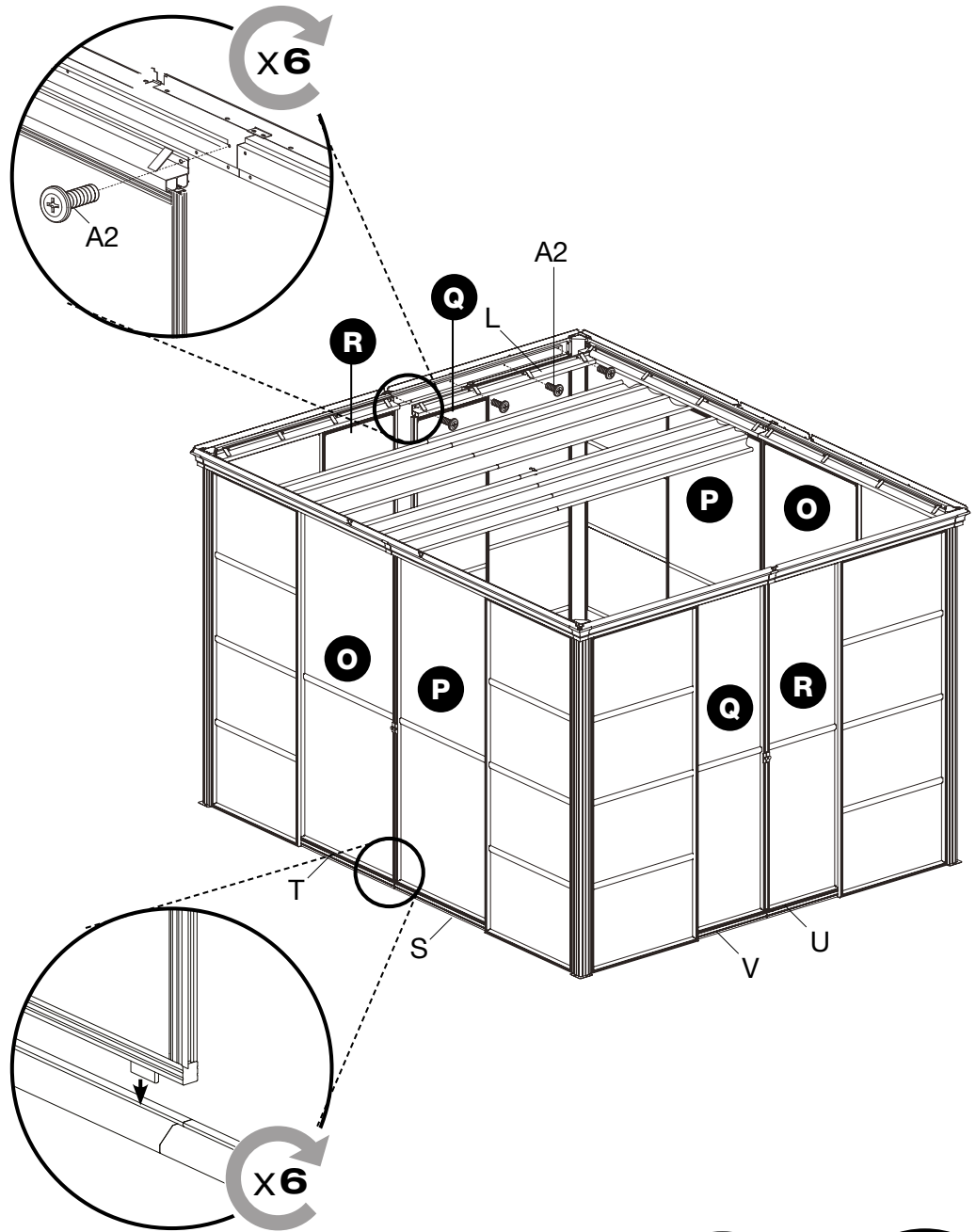
A parts list and tool icon are located at the bottom of the page. The parts list includes:

- Z1 x12
- A2 x12

A circular icon shows a pair of pliers.

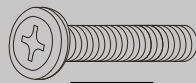
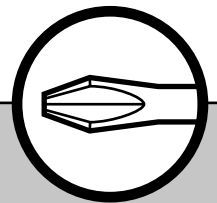
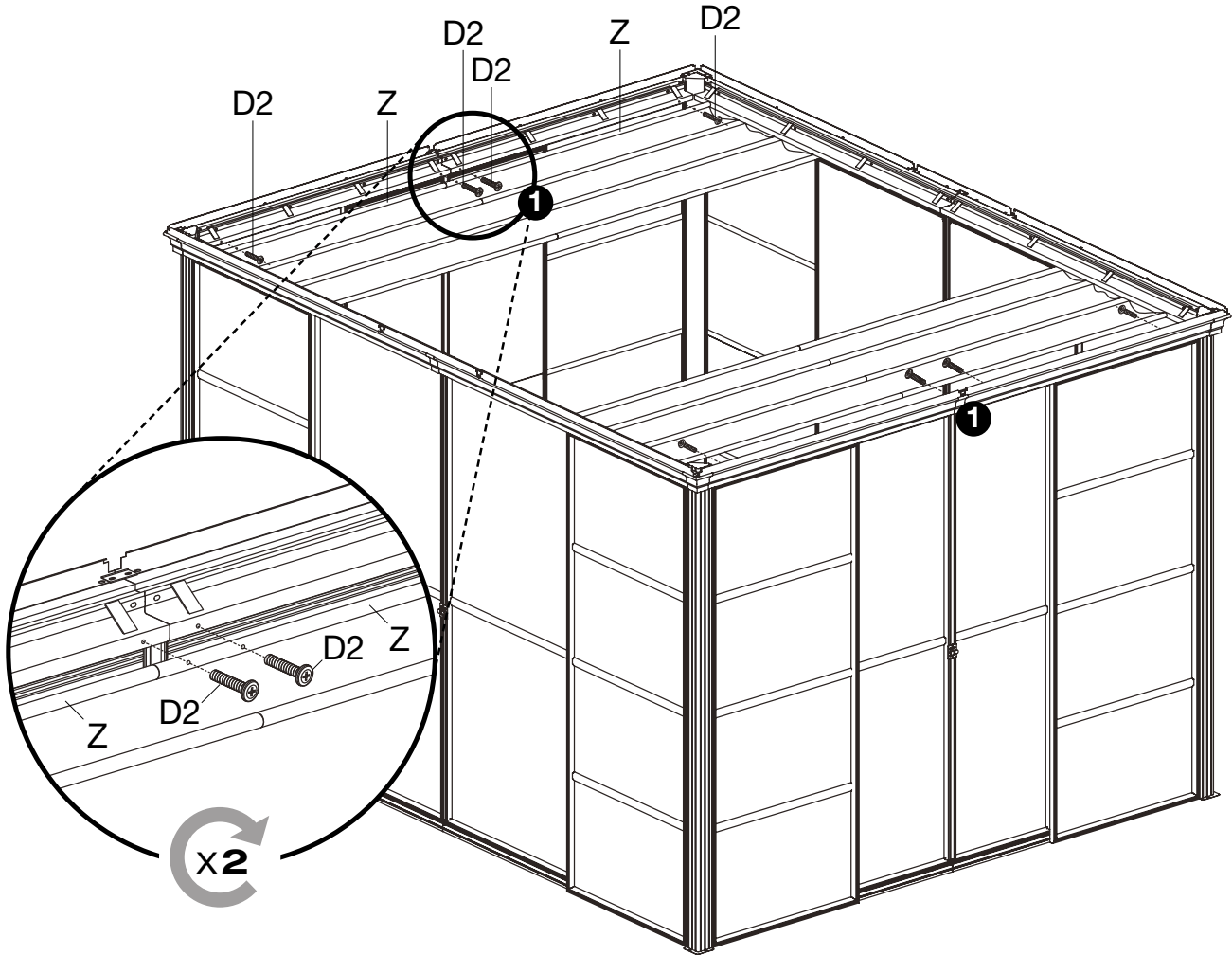




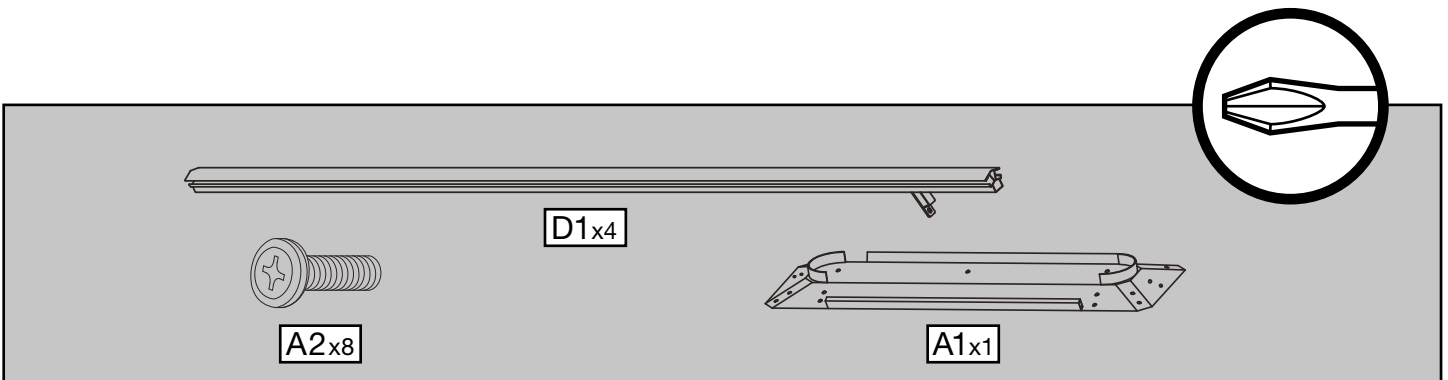
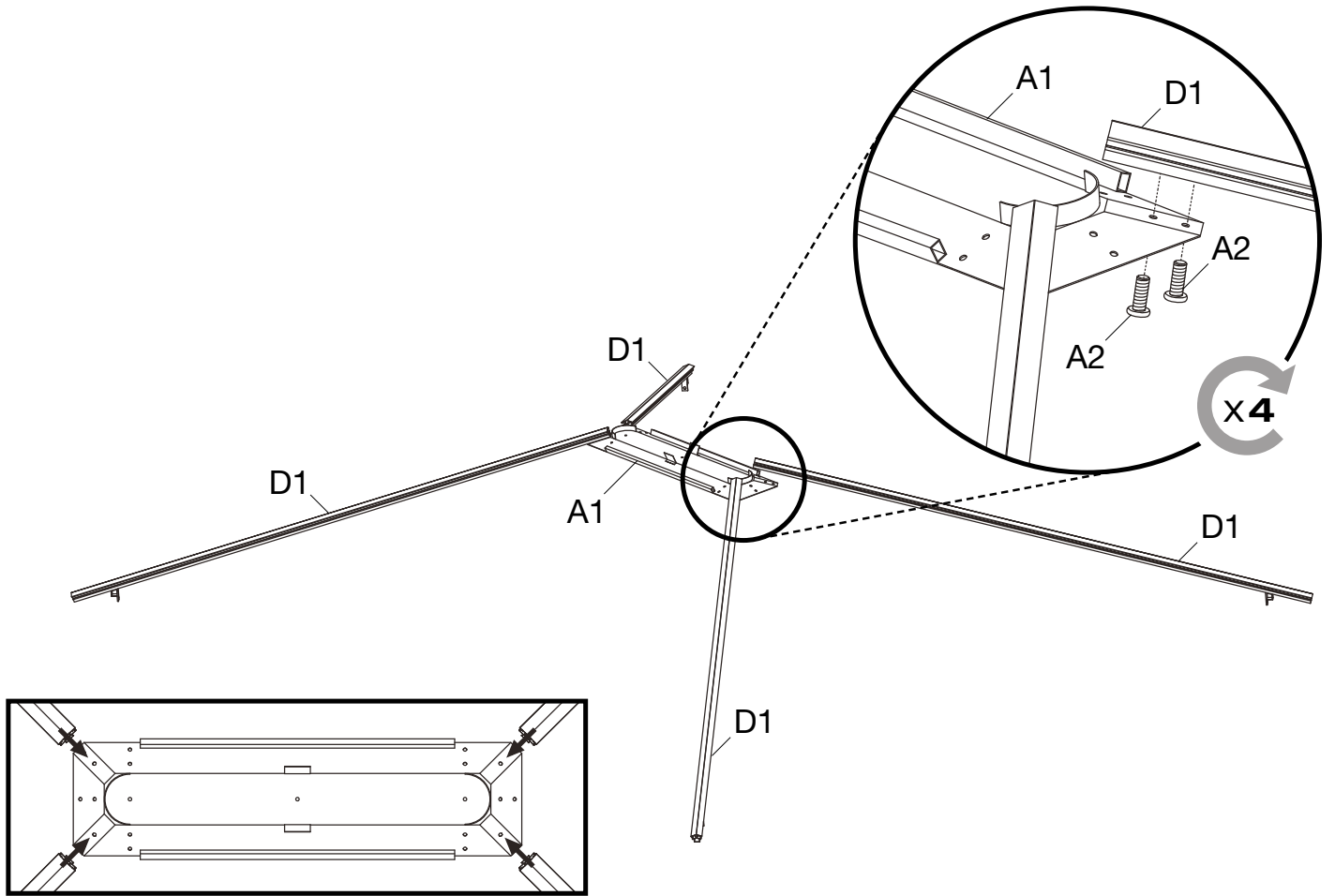


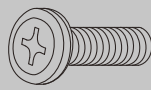
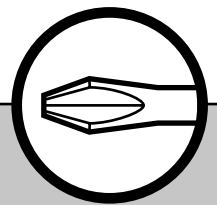
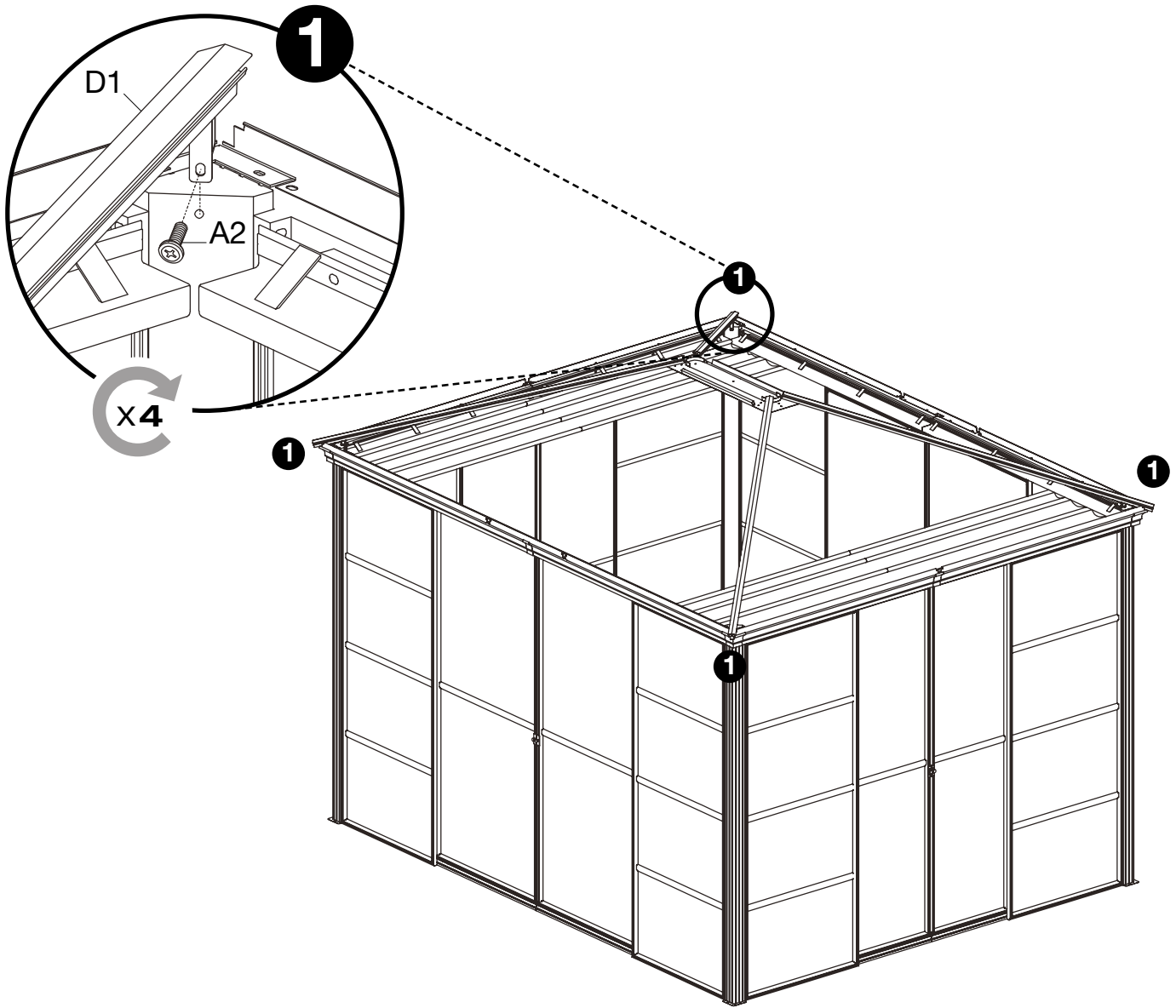
A2x24



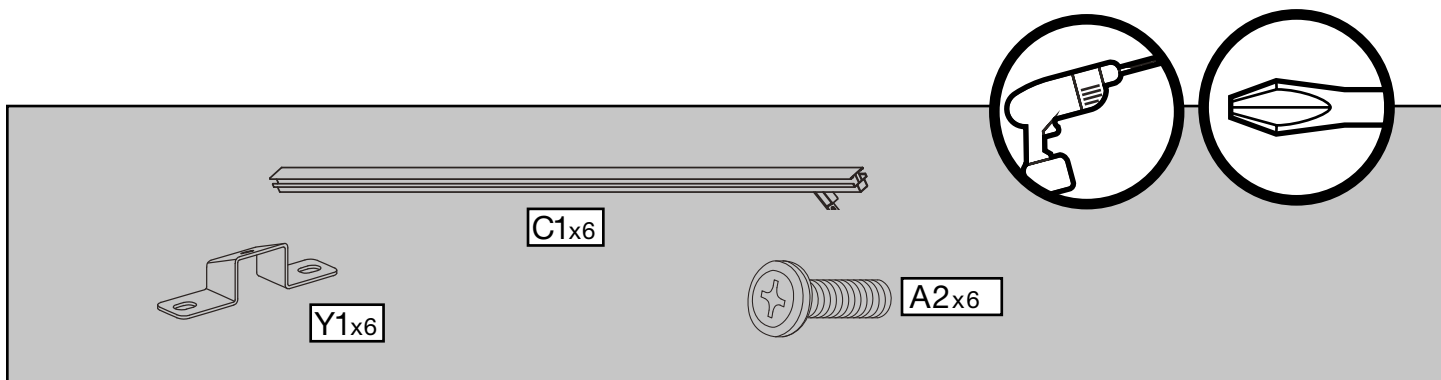
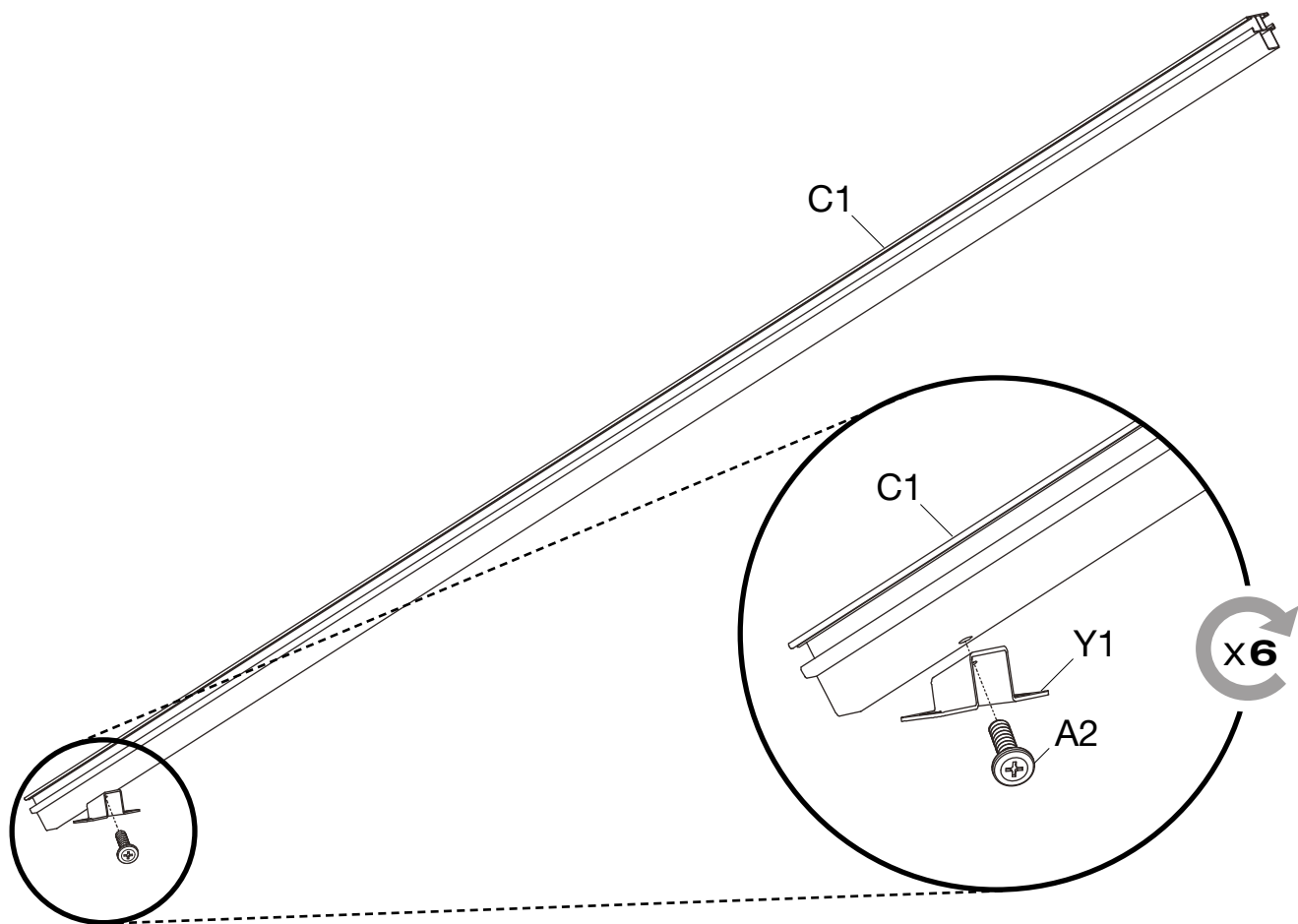


D2x8

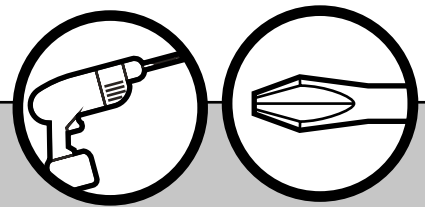
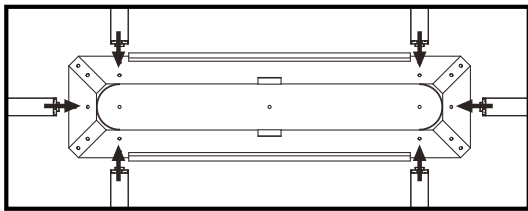
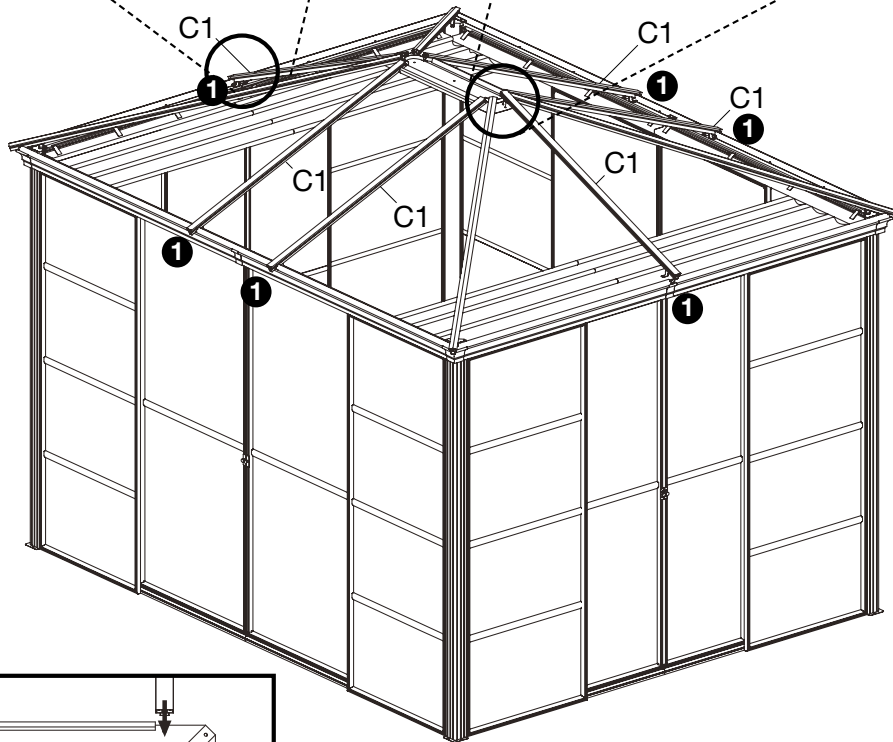
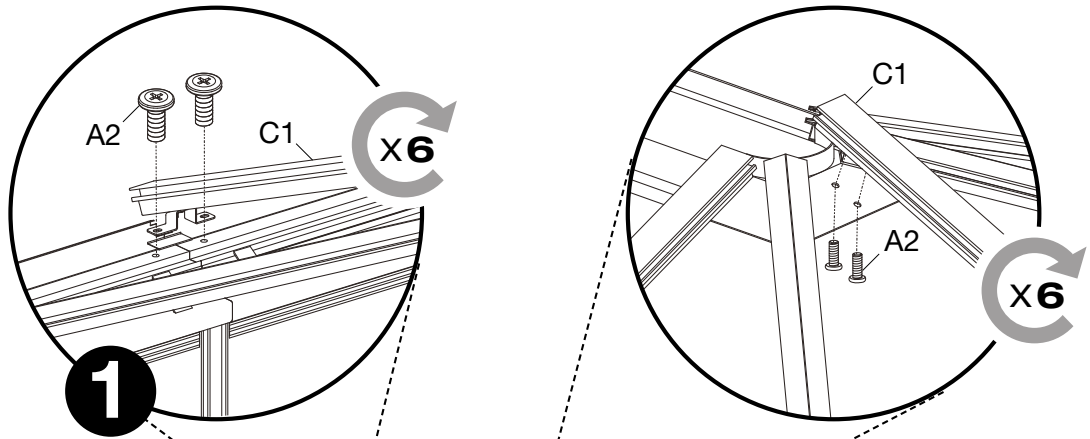


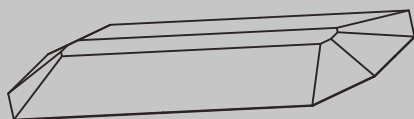
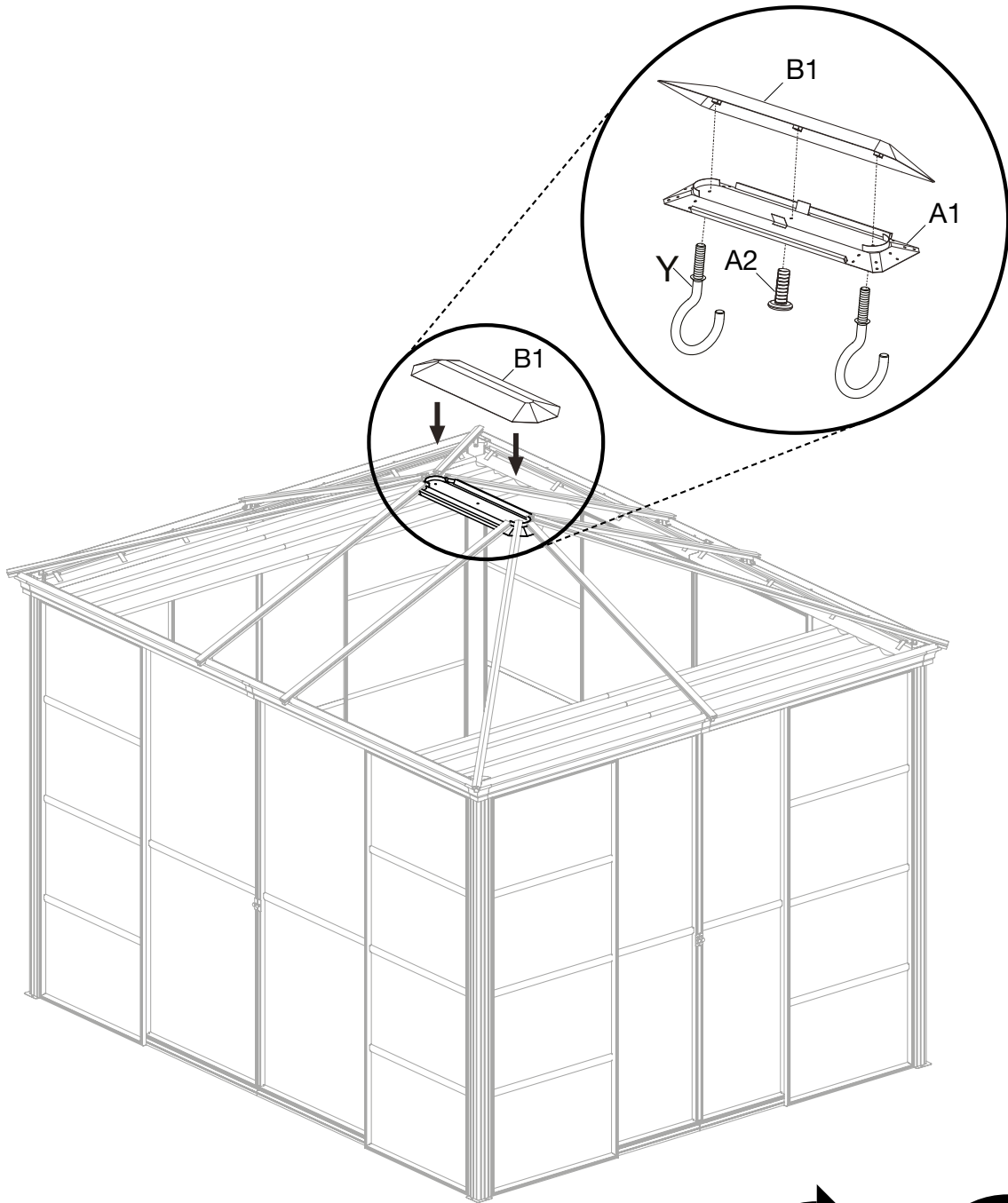


A2x4



# 21A/27





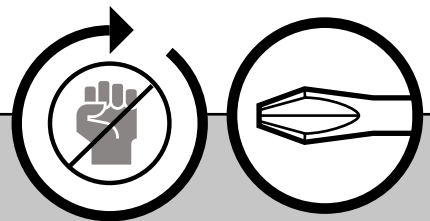
B1x1

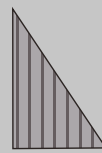
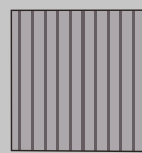
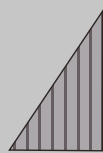
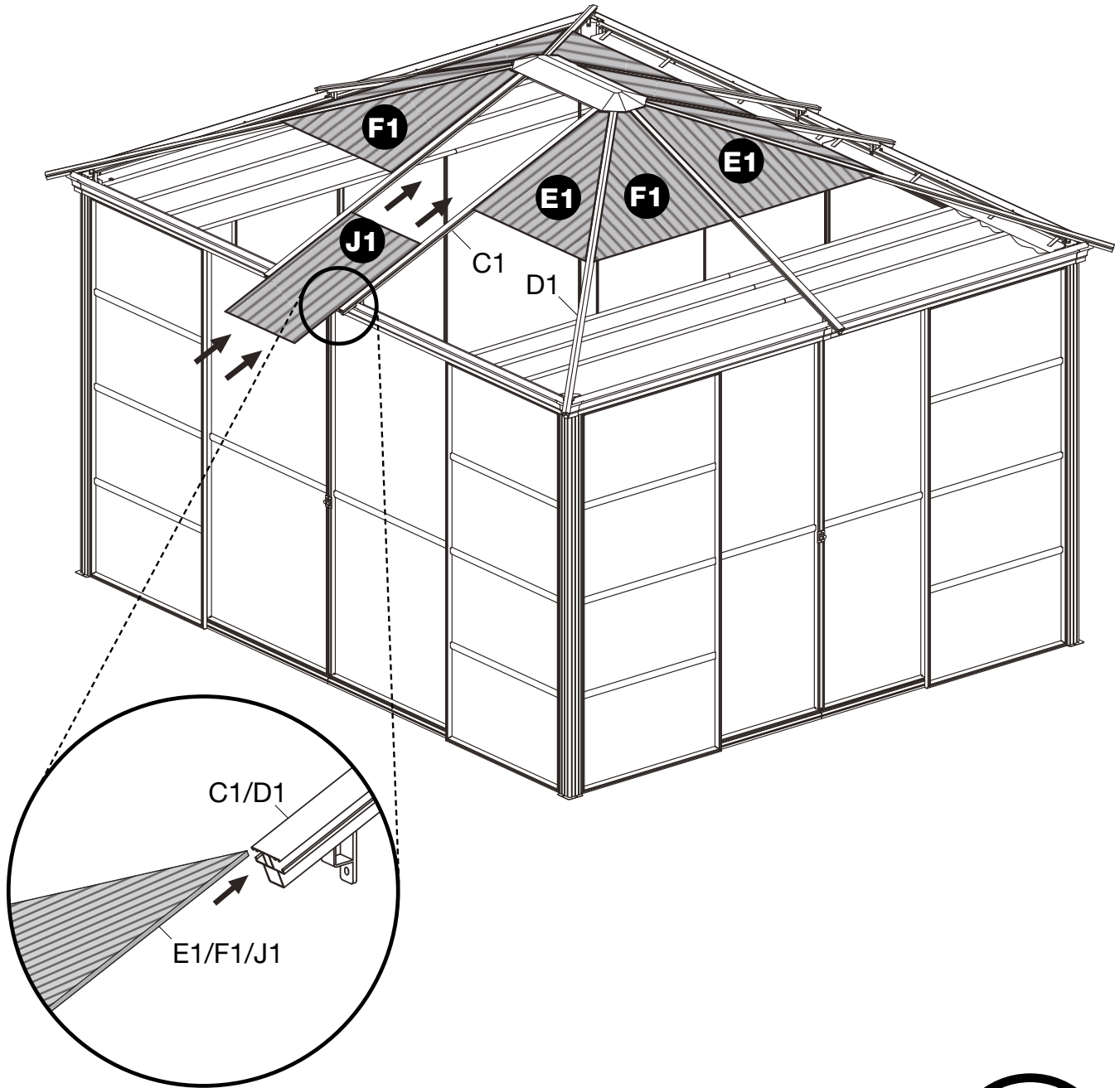


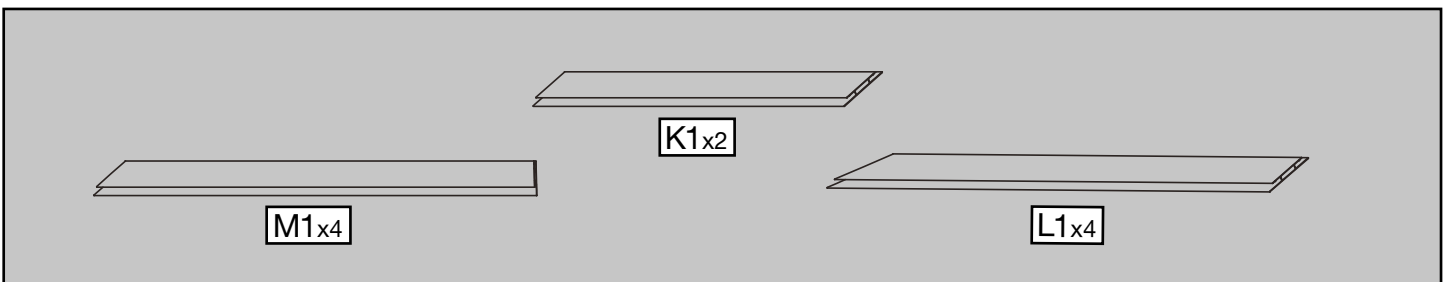
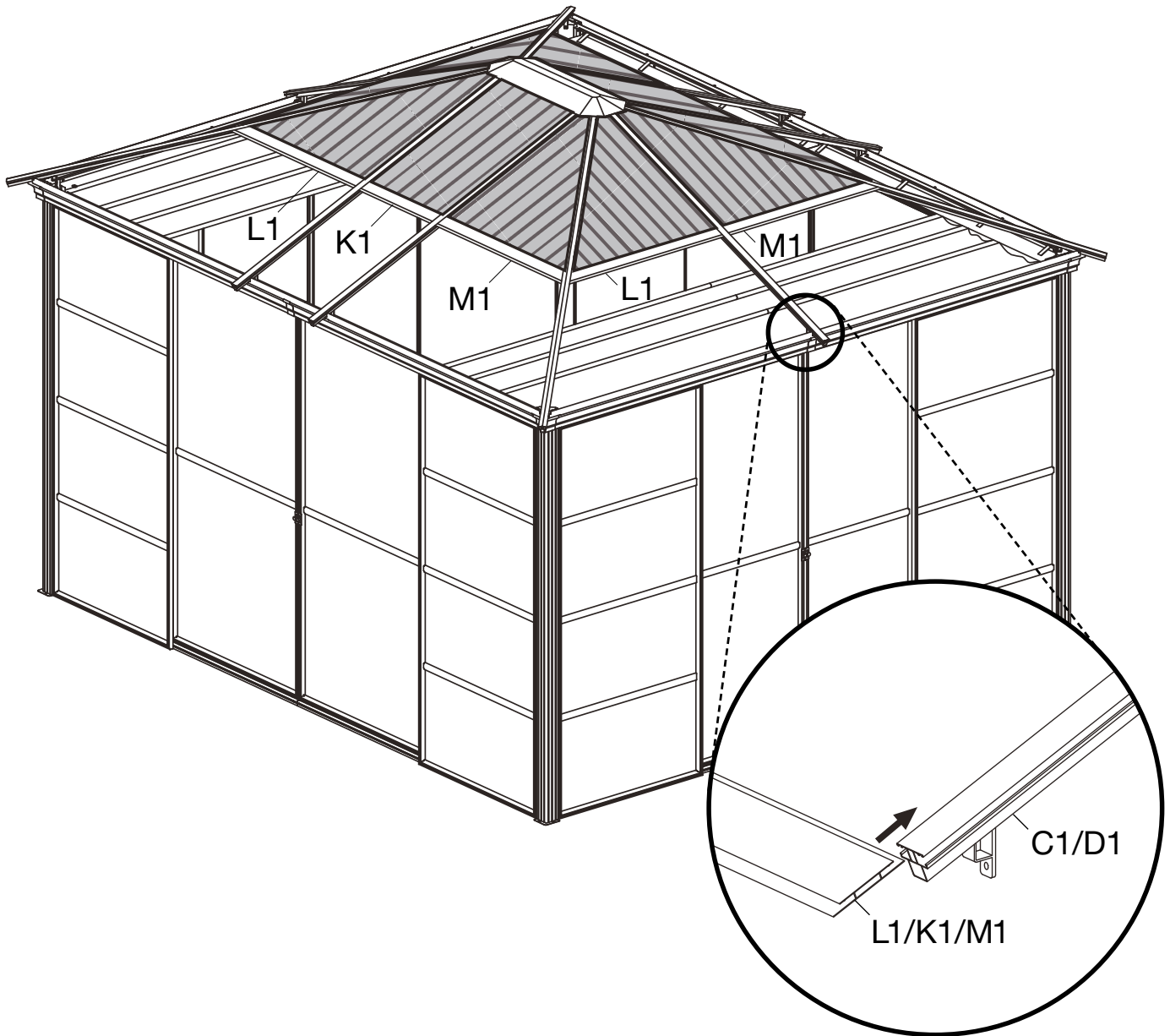
A2x1



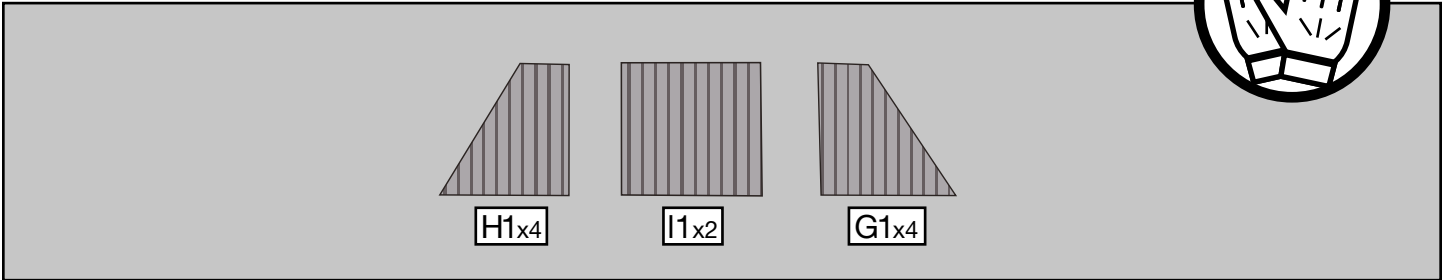
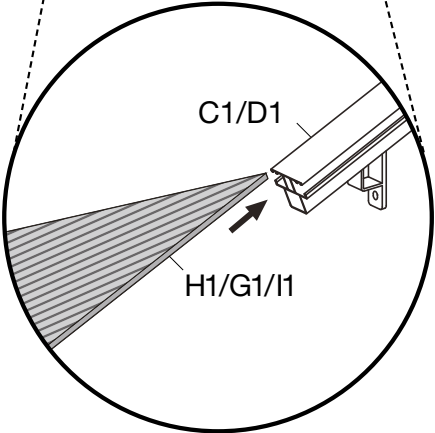
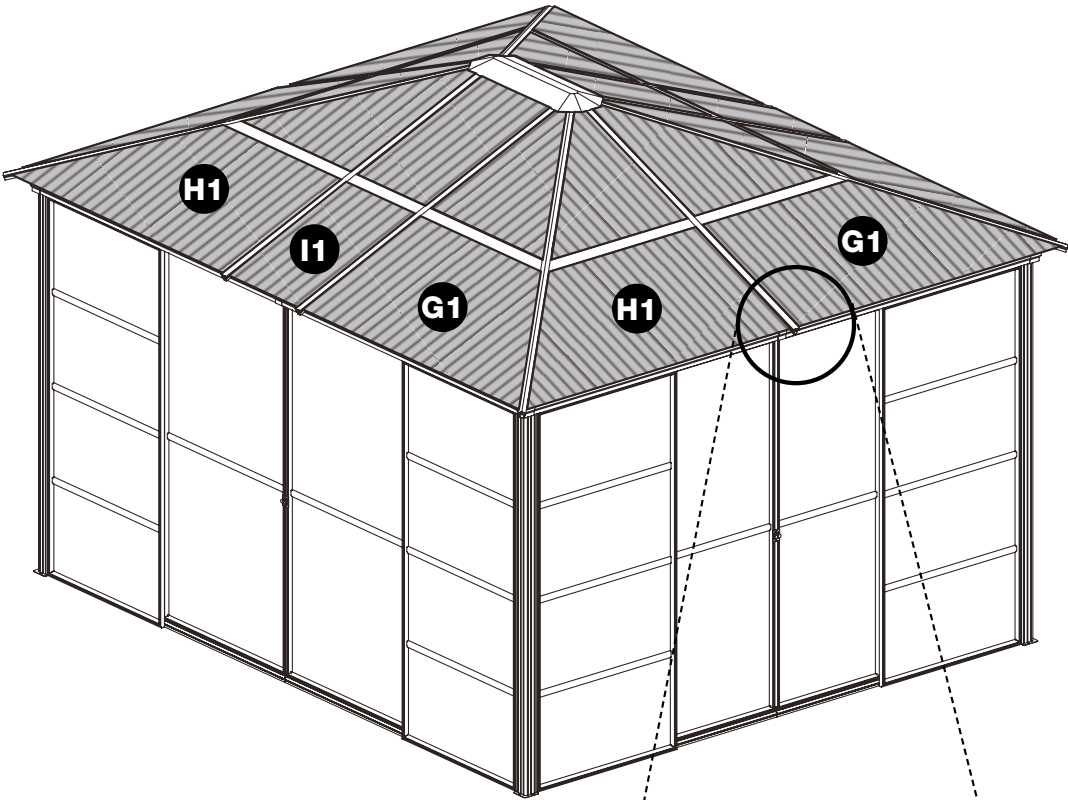
Yx2

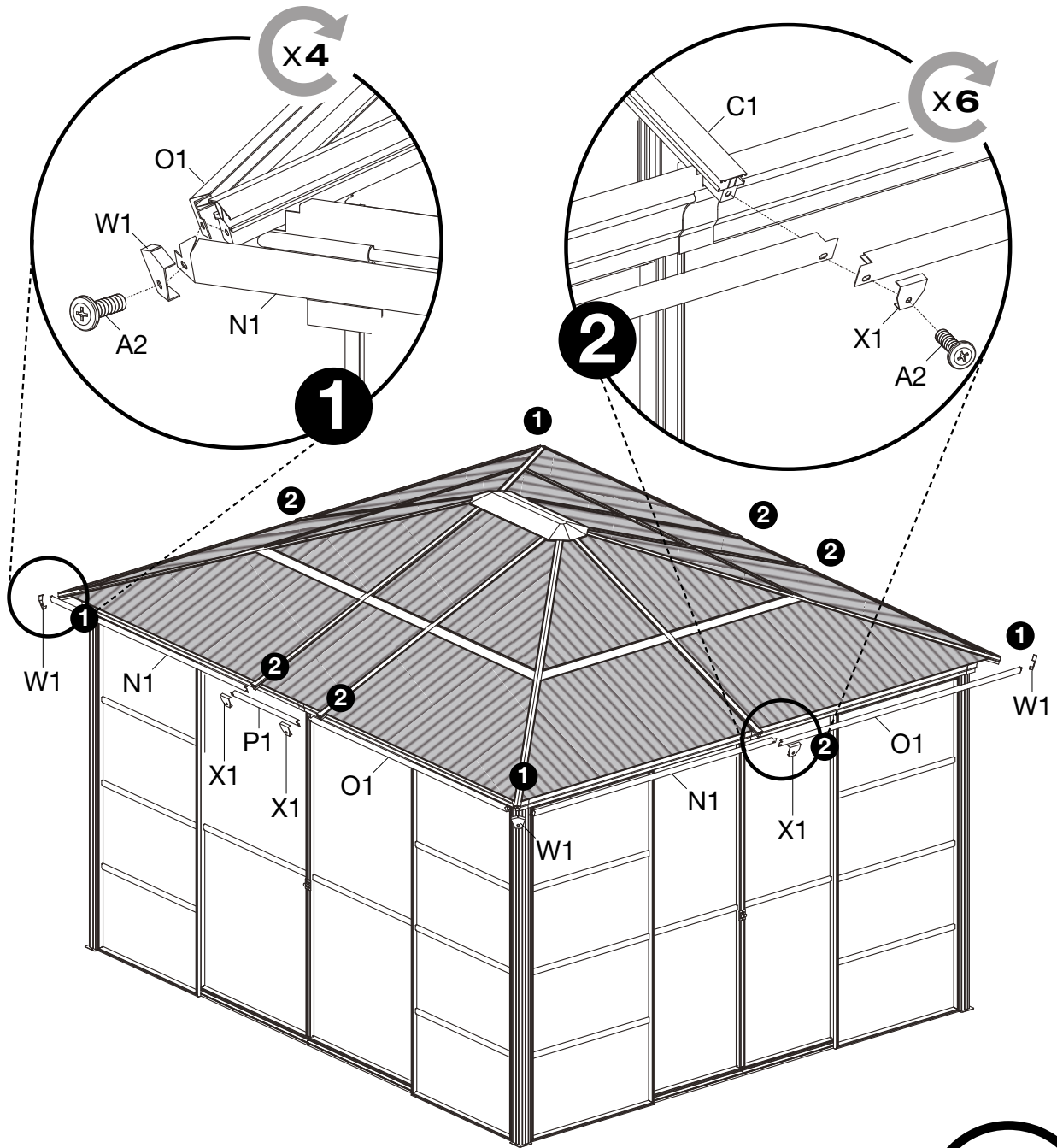







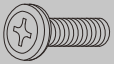


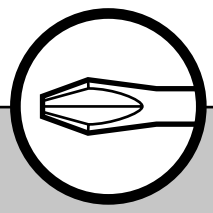


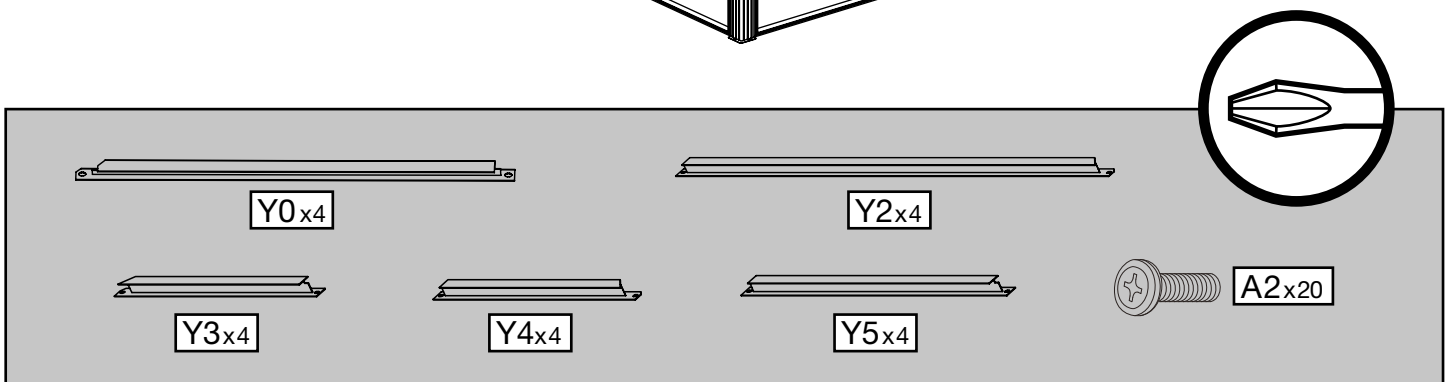
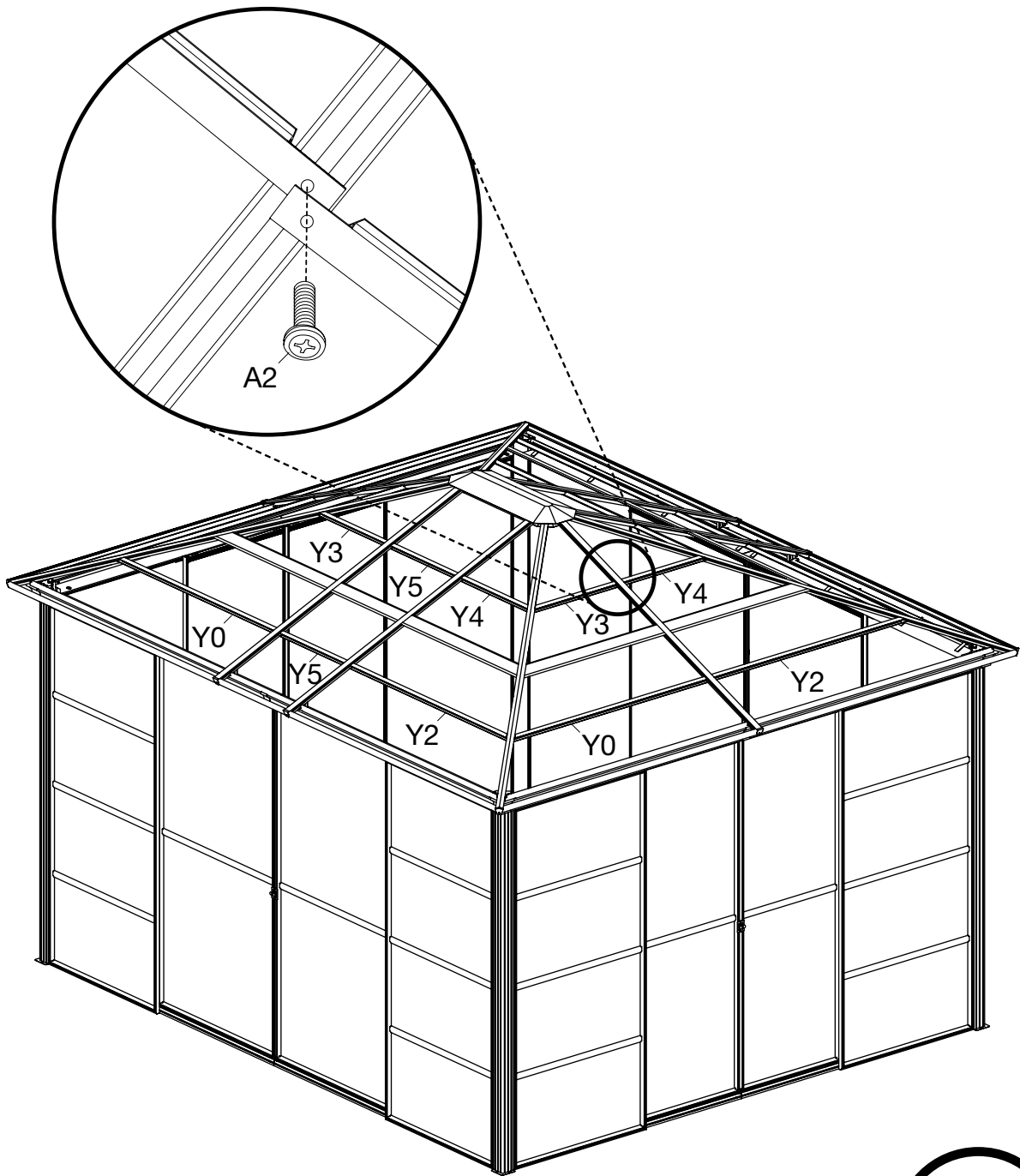






			
N1x4	P1x2	X1x6	W1x4
			
O1x4	A2x10		











Clemens **HobbyTec**

**NOCH FRAGEN RUND  
UM DAS PRODUKT  
ODER ZUM AUFBAU?**

RUFEN SIE UNS AN:  
+49 (0) 6571 929 222

[SERVICE@CLEMENS-HOBBYTEC.DE](mailto:SERVICE@CLEMENS-HOBBYTEC.DE)

CLEMENS HOBBYTEC GMBH  
RUDOLF-DIESEL-STRASSE 8  
D-54516 WITTLICH

[WWW.CLEMENS-HOBBYTEC.DE](http://WWW.CLEMENS-HOBBYTEC.DE)