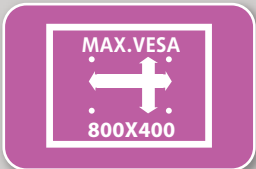




## TECHNICAL DATA SHEET: LP2SRFS-RO UNIVERSAL FLAT TO WALL TV MOUNT



The Essentials Series is a range of **simple**, no-fuss **TV mounts** that offer **fully-featured**, easy to use **functionality** at price points that represent **excellent value for money**.

The range is carefully tailored to cover all **LCD, LED and Plasma TV mounting requirements**.

Our designs offer **reduced package size for improved shipping fills**, reducing your carbon footprint. The product packaging also offers easy **merchandising** with simple to shop communicative icons.

### Features:

- Ultra low profile design ideal for the latest generation of LED TV's
- Pull cord for easy release of TV
- Universal split design allows for flexible mounting options



### Technical Specifications:

Max Load	Distance from wall (Folded)	Distance from wall (Extended)	Swivel Range	Tilt Range	No of Articulation Points	Mounting Pattern	VESA Compatible
60Kg/ 132lbs	12mm/ 0.5"	n/a n/a	n/a	n/a	0	Double Stud & Solid Wall	Universal



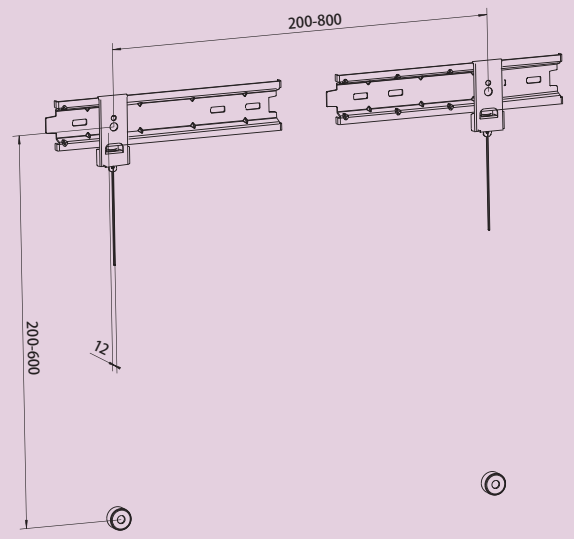


## DIMENSIONS & SPECIFICATIONS SHEET: LP2SRFS-RO UNIVERSAL FLAT TO WALL TV MOUNT

Packed image



Line drawing



All dimensions are in mm

### Packaging Information:

Product Number	Description	Product Packaging		Outer Packaging		
		Type	Barcode	Type	Qty in Box	Barcode
LP2SRFS-RO	Universal Flat to Wall TV Mount	Colour Gift Box	5015056 538181	Brown Outer with Label	10	05015056 540368

### Weight & Dimensions:

Product			Product Box			Outer Box		
Extended	Folded	Net Weight	Dimensions	Gross Weight	Cubic	Dimensions	Gross Weight	Cubic
25 x 8 x 2.2 cm	n/a	0.570kg	26.5 x 11 x 2.5 cm	0.06kg	0.0007m <sup>3</sup>	28 x 25 x 16.5 cm	6.645kg	0.0116m <sup>3</sup>
9.84" x 3.15" x 0.87"	n/a	1.254lbs	10.43" x 4.33" x 0.98"	0.12lbs	0.0257ft <sup>3</sup>	11.02" x 9.84" x 6.50"	14.619lbs	0.4079ft <sup>3</sup>