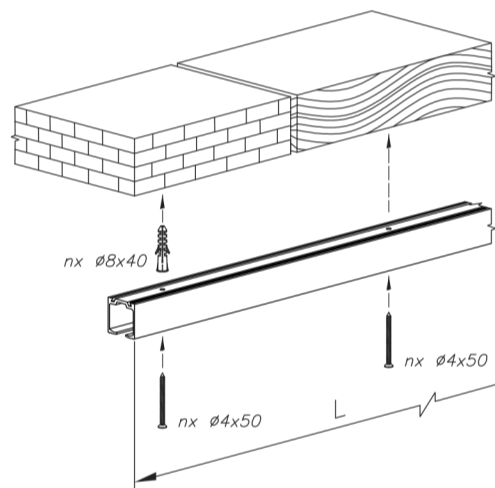
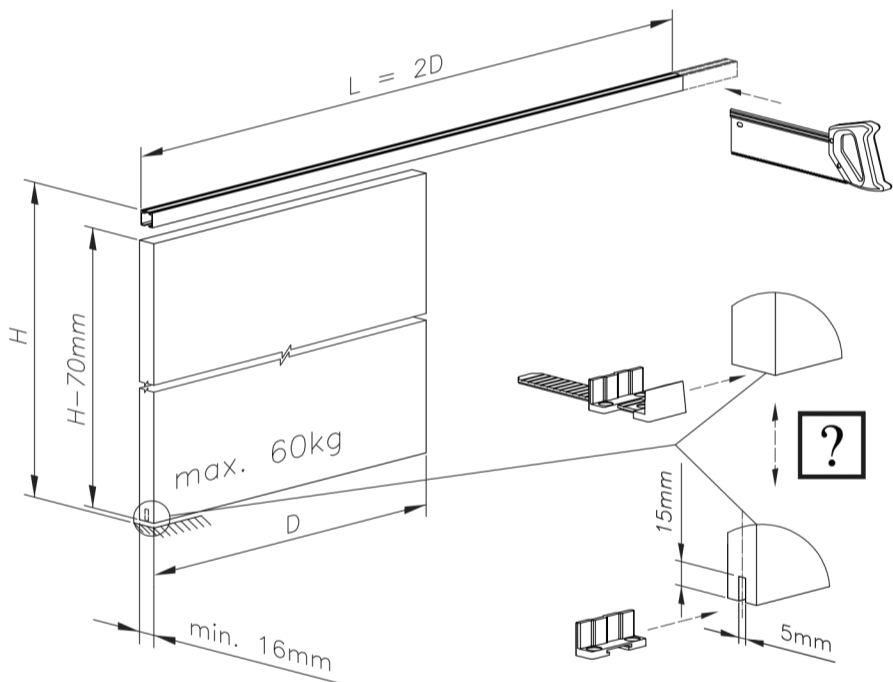
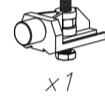
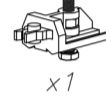
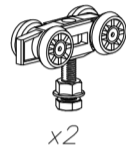
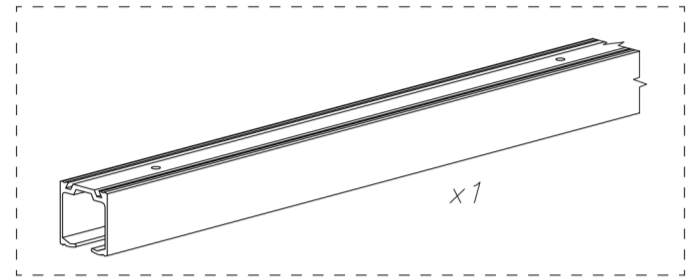
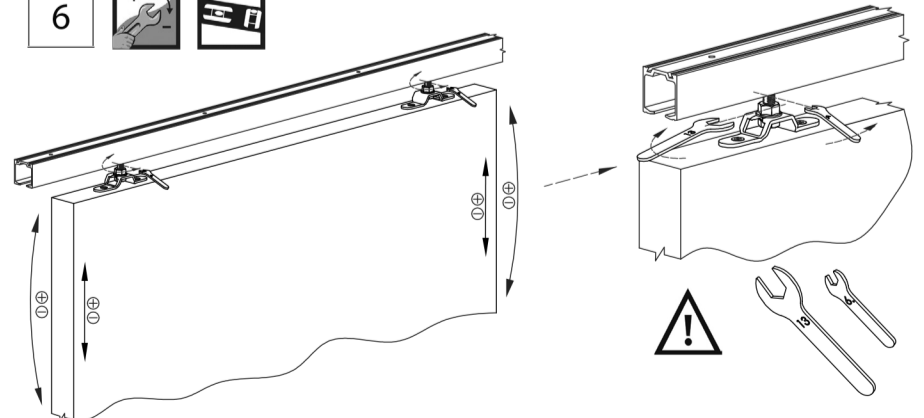
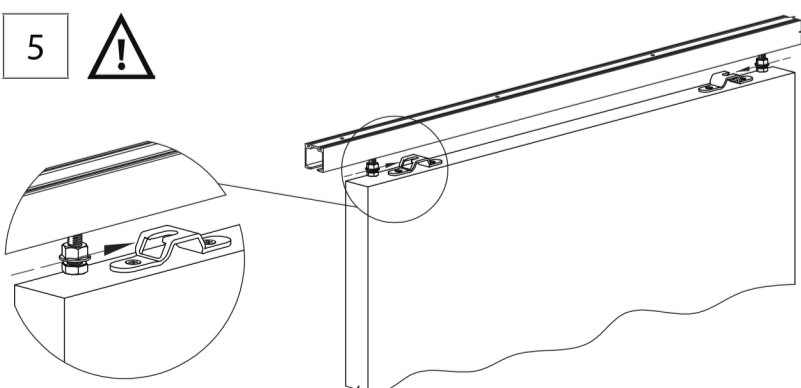
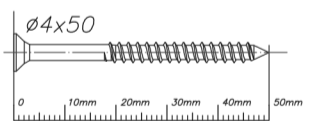
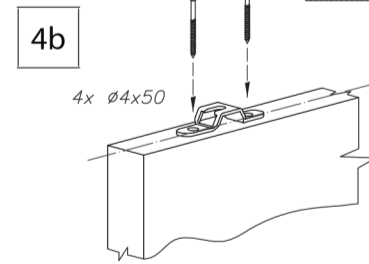
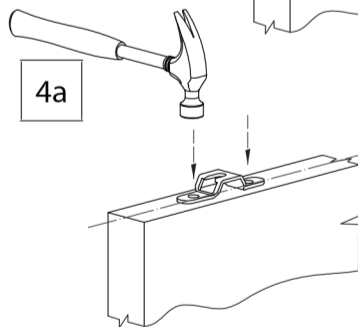
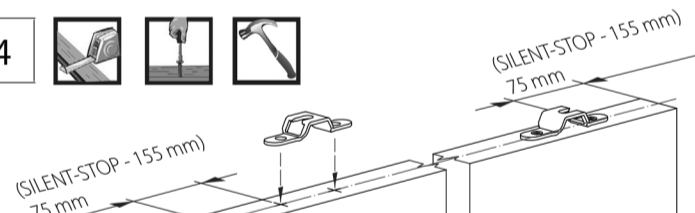
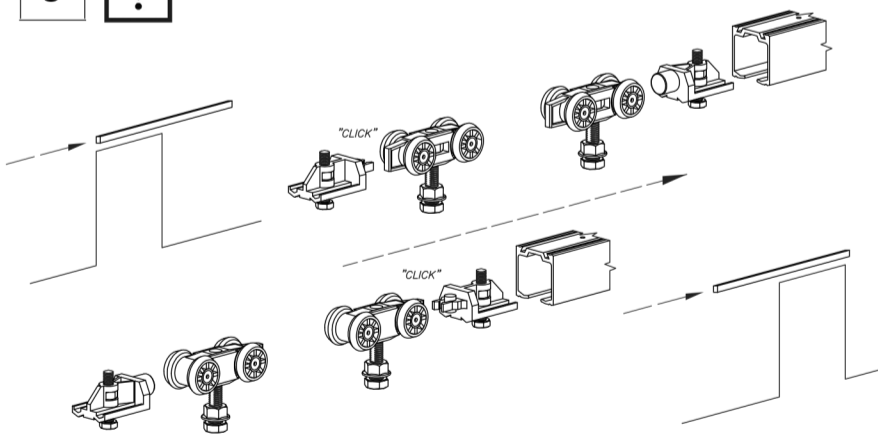


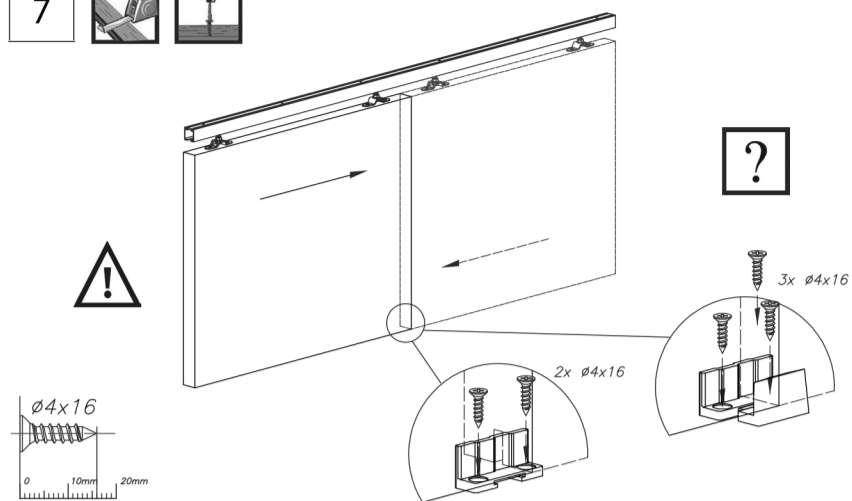
4x50
x4 Ø4x16
x7



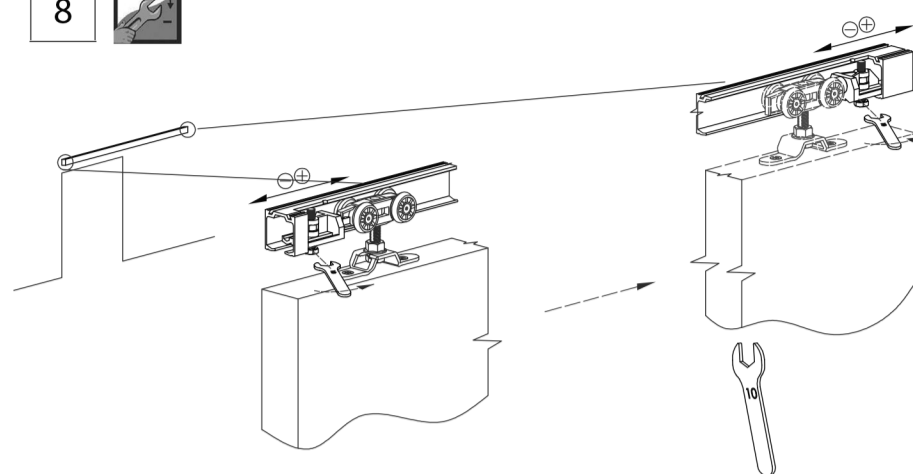
L[mm]	1200	1500	1800
n	5	6	7
L[mm]	2000	2400	3000
n	7	9	11



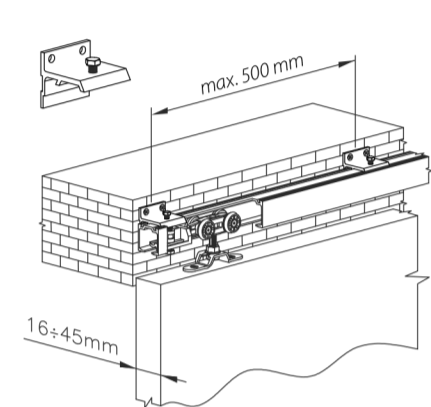
7  



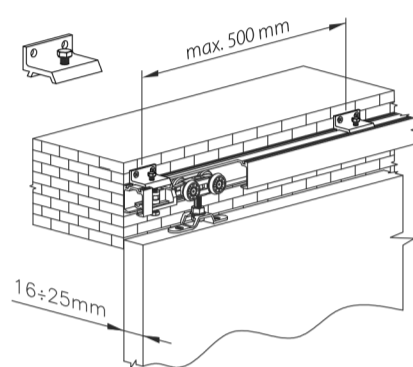
8 



1ptions

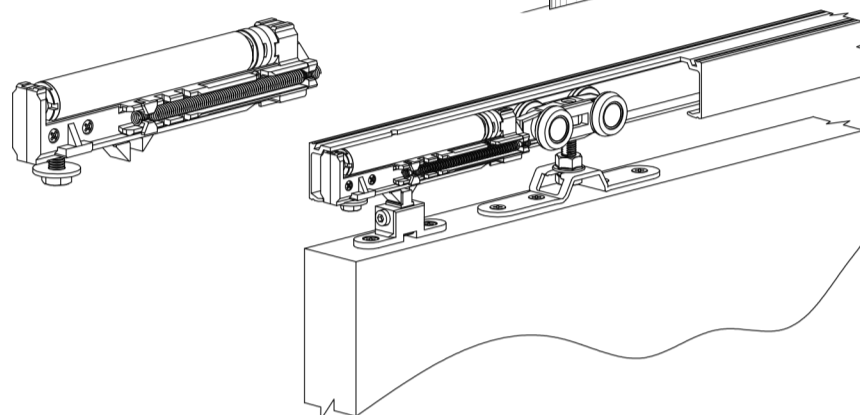


2ptions

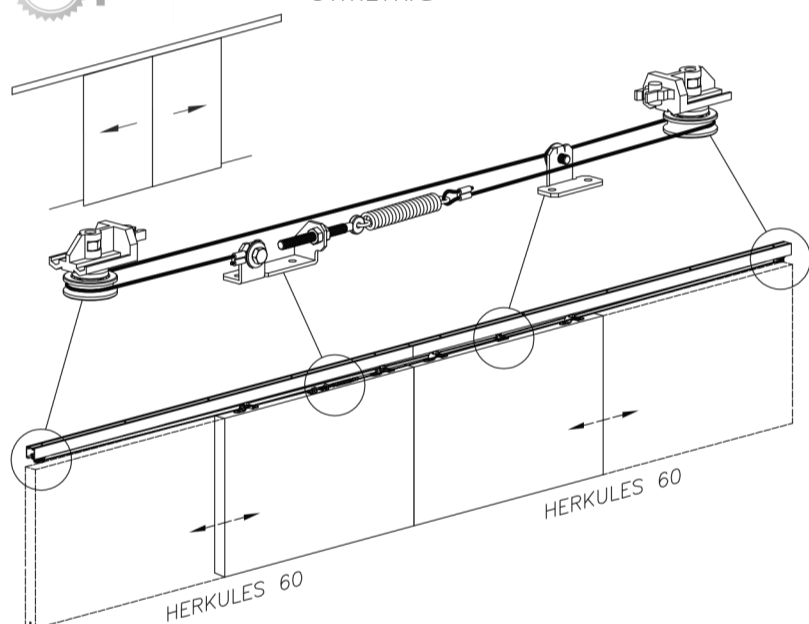


3ptions

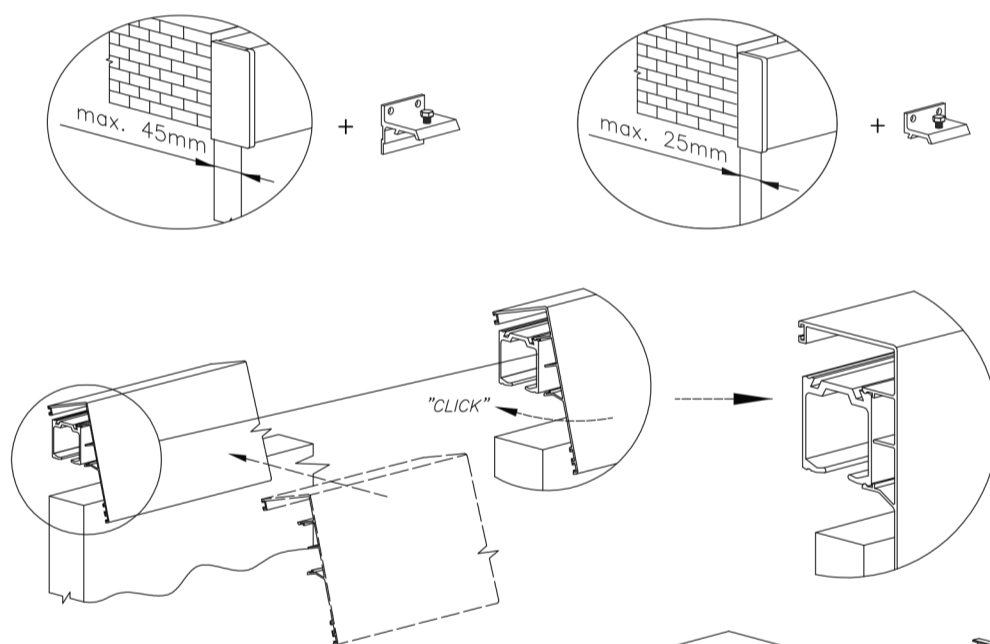
SILENT-STOP



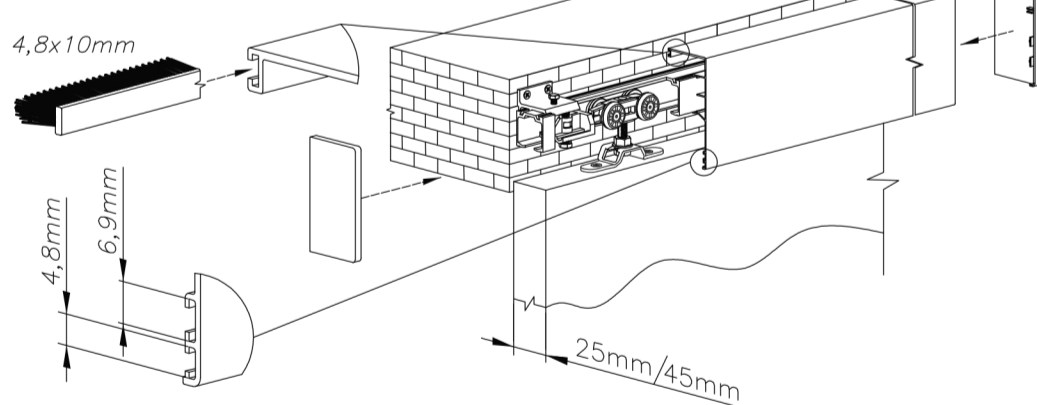
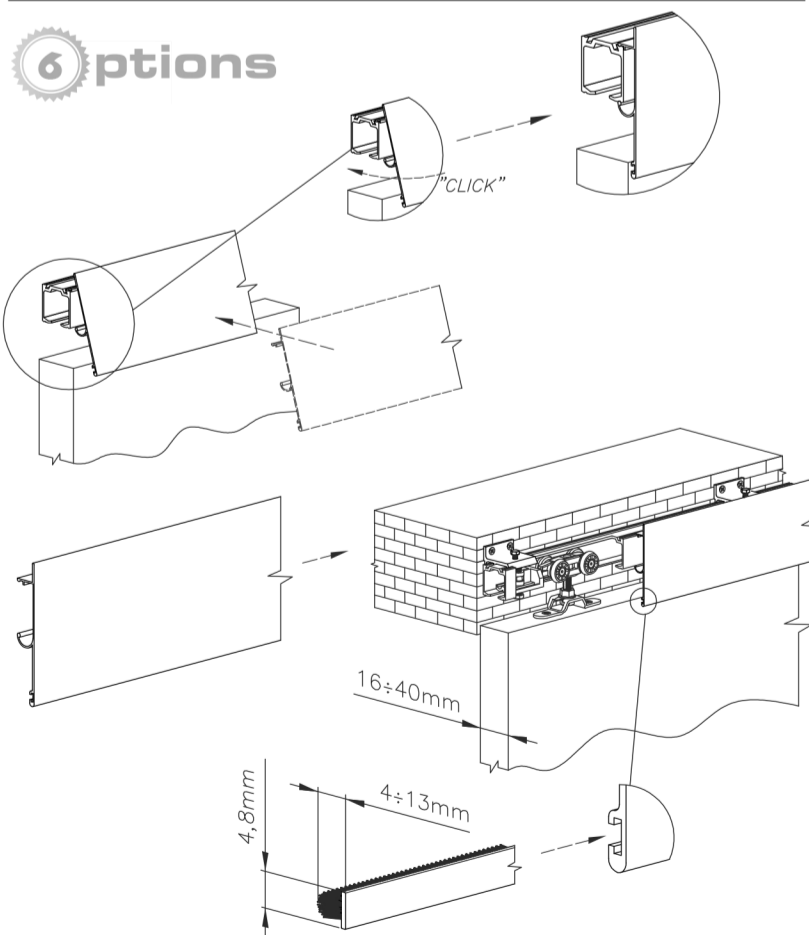
4ptions SYMETRIC



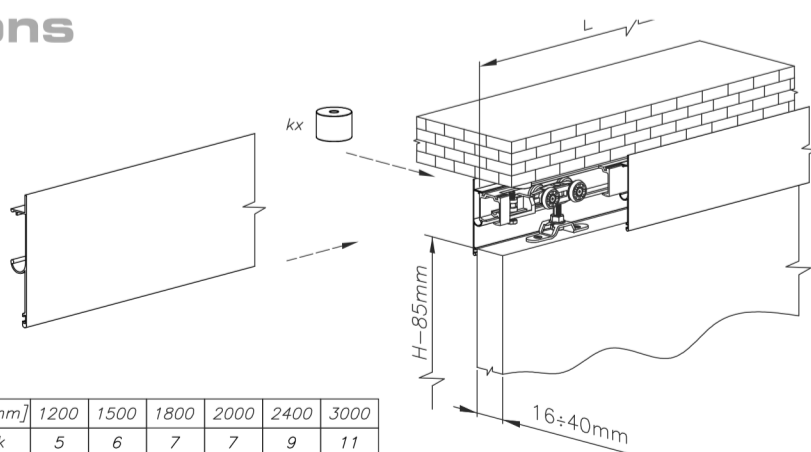
5ptions



6ptions



7ptions



L[mm]	1200	1500	1800	2000	2400	3000
k	5	6	7	7	9	11