



TECHNICAL DATA SHEET: LE2RTA400-RO FULL MOTION TV WALL MOUNT

The Essentials Series is a range of **simple**, no-fuss **TV mounts** that offer **fully-featured**, easy to use **functionality** at price points that represent **excellent value for money**.

The range is carefully tailored to cover all **LCD, LED and Plasma TV mounting requirements**.

Our designs offer **reduced package size for improved shipping fills**, reducing your carbon footprint. The product packaging also offers easy **merchandising** with simple to shop communicative icons.

Features:

- Triple arm motion for ultimate viewing flexibility and superior strength
- Tool free adjustment of tilt action
- Tool Large TV Mount rail for added strength and compatibility with large TV's

32"-70" 
81-178CM



Technical Specifications:

Max Load	Distance from wall (Folded)	Distance from wall (Extended)	Swivel Range	Tilt Range	No of Articulation Points	Mounting Pattern	VESA Compatible
40Kg/ 88lbs	100mm/ 3.9"	465 18.3	+/-90°	+18/-8°	4	Double Stud & Solid Wall	100x100 to 400x400



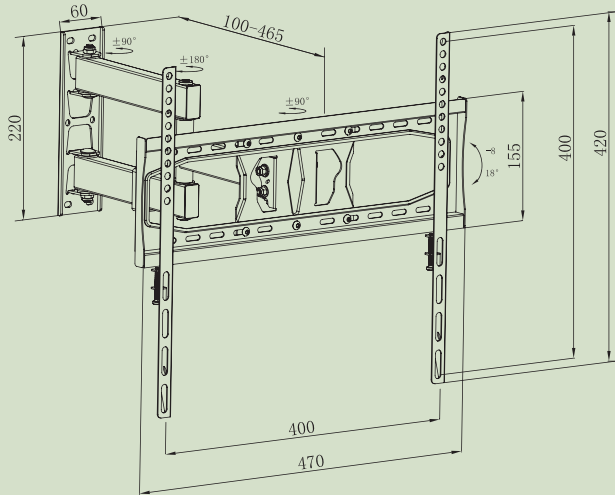


**DIMENSIONS & SPECIFICATIONS SHEET: LE2RTA400-RO
FULL MOTION TV WALL MOUNT**

Packed image



Line drawing



All dimensions are in mm

Packaging Information:

Product Number	Description	Product Packaging		Outer Packaging		
		Type	Barcode	Type	Qty in Box	Barcode
LE2RTA400-RO	Full Motion TV Wall Mount	Colour Gift Box	5015056 538303	Brown Outer with Label	4	05015056 540481

Weight & Dimensions:

Product			Product Box			Outer Box		
Extended	Folded	Net Weight	Dimensions	Gross Weight	Cubic	Dimensions	Gross Weight	Cubic
47 x 42 x 46.5 cm	47 x 42 x 10 cm	3.010kg	48.5 x 22.5 x 9 cm	0.31kg	0.0098m ³	49.5 x 25.5 x 38.5 cm	13.985kg	0.0486m ³
18.50" x 16.54" x 18.31"	18.50" x 16.54" x 3.94"	6.622lbs	19.09" x 8.86" x 3.54"	0.68lbs	0.3468ft ³	19.49" x 10.04" x 15.16"	30.767lbs	1.7162ft ³