

HBS-Swing Door Fitting - Complete Set

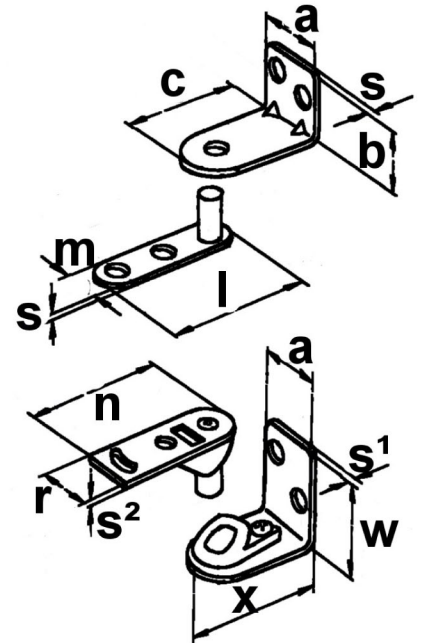
for 19-44 mm thick louver doors and till max. 10 kg door weight

This fitting was constructed for 2 saloon door wings. The door wing remains open in 90° position.

Item-No. 80030



Item-No.		80030
EAN-No.		4001425800301
a		26,5
b		26
c		42
l		51
m		16
n		55,5
r		20,5
s		2
s ¹		3
s ²		2,5
w		41
x		43
weight	kg	0,269



That is why assembly is so easy :

1. Screw the upper and lower pivot in the outer door top edge and the door lower edge at both door wings. Choose distance A basing on the door thickness (see table). The right rotation distance B results of it (distance between door frame and door wing). Mount the screw in the middle of the endlogated whole of the lower pivot plate.
2. Screw door bearing at bottom beam at door frame.
3. Insert the door in closed position in the door bearing at bottom beam. Put the door bearing at upper beam on the pivot of the upper door. Distance C has to be minimum 10 mm. Place the door leaf vertically, then mark the screw wholes of the door bearing at upper beam and screw it in tight.
4. Adjust the door with the adjusting screw (in the enlogated whole of the lower door plate).

Attention: Between the two door wings has to be minimum 3,5 mm air space!
The door wing is lifted up 10 mm.

