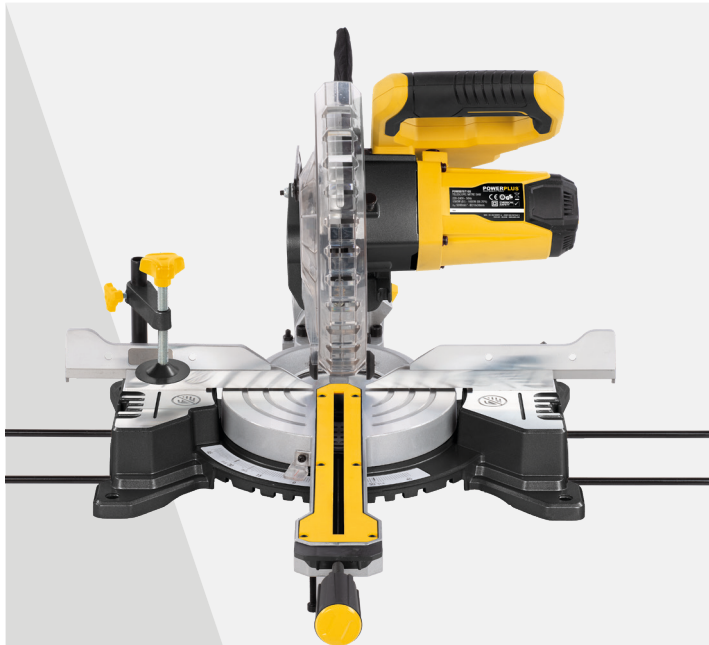


POWX075710S

TELESCOPIC MITRE SAW

1600W | 210mm



TELESCOPISCHE VERSTEKZAAG
SCIE À ONGLET TÉLESCOPIQUE
TELEKOPIŠCHER GEHRUNGSSÄGE
INGLETADORA TELESCÓPICA

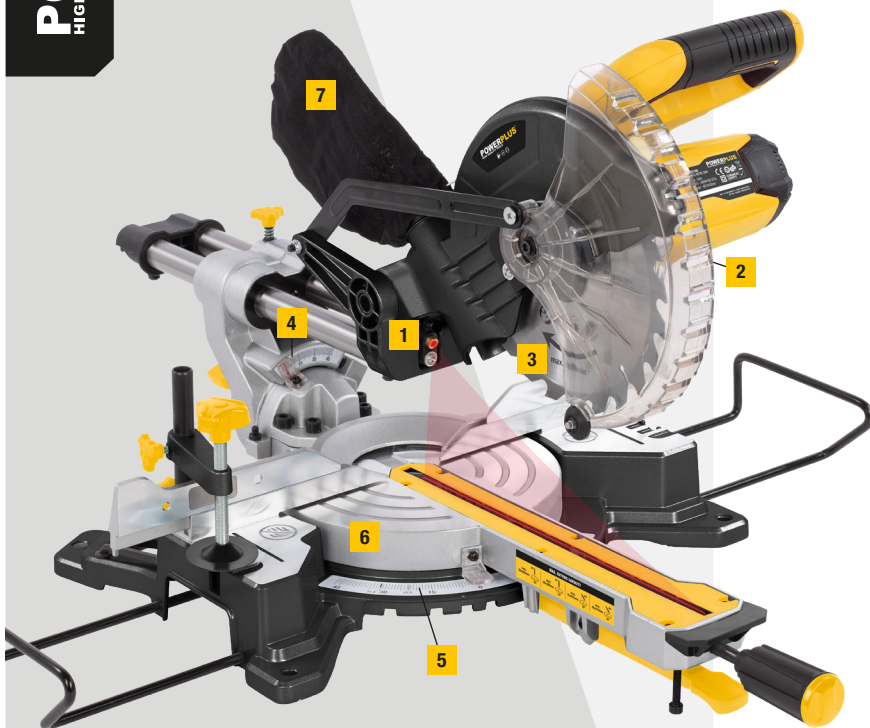


IMPORTANT FEATURES

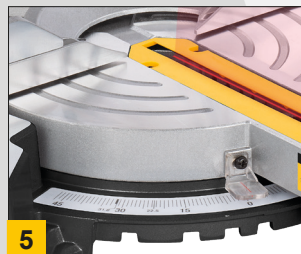
- 1600** WATT
- 5000** min⁻¹
- Ø210** mm
- 3** YEAR WARRANTY

POWERPLUS
HIGH QUALITY TOOLS

- HIGH PRECISION LASER
- ALUMINIUM BASE
- + DUST BAG
- + SAW BLADE



- HIGH PRECISION LASER**
LASER MET HOGE PRECISIE / LASER DE HAUTE PRÉCISION
HOCHGENAUER PRÄZISIONSLASER / LÁSER DE ALTA PRECISIÓ
- HINGED SAW BLADE GUARD**
SCHARNIERENDE ZAAGBLADKAP
PROTECTEUR DE LAME DE SCIE, ARTICULÉ
SÄGEBLATTSCHUTZ, KLAPPBAR
GUARDA DE LA HOJA DE SIERRA, ARTICULADA
- SAW BLADE 210x30mm - 24T**
ZAAGBLAD 210x30mm - 24 TANDEN
LAME DE SCIE 210x30mm - 24 DENTS
SÄGEBLATT 210x30mm - 24 ZÄHNE
LÁMINA DE SIERRA 210x30mm - 24 DIENTES
- SCALE FOR ACCURATE VERTICAL ANGLE POSITIONING**
SCHAAL VOOR NAUWKEURIGE VERTICALE HOEKPOSITIE
ÉCHELLE POUR LA POSITION PRÉCISE D'ANGLE VERTICALE
SKALA FÜR IN GRADE GENAUE WINKELPOSITION VERTIKAL
ESCALA PARA LA POSICIÓN EXACTA DEL ÁNGULO VERTICAL
- SCALE FOR ACCURATE HORIZONTAL ANGLE POSITIONING**
SCHAAL VOOR NAUWKEURIGE HORIZONTALA HOEKPOSITIE
ÉCHELLE POUR LA POSITION PRÉCISE D'ANGLE HORIZONTAL
SKALA FÜR IN GRADE GENAUE WINKELPOSITION WAAGERECHT
ESCALA PARA LA POSICIÓN EXACTA DEL ÁNGULO HORIZONTAL
- ROTARY TABLE -45° / +45°**
DRAAIBARE TAFEL / TABLE ROTATIVE
DREHTISCH / MESA ROTATIVA
- DUST BAG**
STOFZAK / SAC À POUSSIÈRE / STAUBSACK / BOLSA DE POLVO
- MAXIMUM CUTTING CAPACITY**
MAXIMALE SNIJ/ZAAGCAPACITEIT
CAPACITÉ DE COUPE MAXIMALE
MAX. SCHNEIDLEISTUNG
CAPACIDAD MÁXIMA DE CORTE



max. 70x305mm	90° 	max. 35x305mm	45°
max. 70x210mm	90° 	max. 35x210mm	45°

POWERPLUS
HIGH QUALITY TOOLS



POWX075710S

TELESCOPIC MITRE SAW 1600W

This telescopic mitre saw from Powerplus lets you perfectly join two strips. It has a Ø 210mm saw blade to make straight cuts of 90° and bevel cuts of 45° in wood. You can cut boards of up to 305mm horizontally thanks to the telescopic function. It offers you a lot of capacity for a wide range of activities.

Working with the POWX075710S is easy and secure too. Let your saw blade follow the built-in laser and fix the workpiece with the clamp. Therefore it can't move while you work and you will saw extremely accurate and stable. The supplied dust bag collects the dust and as a result you can work in a tidy and clean working environment without sawdust. You replace the saw blade very safely while the spindle is locked.

This Powerplus mitre saw features a saw blade, dust bag, wrench, clamp and 2 extension bars. A support stand is sold separately if needed.

TECHNICAL SPECIFICATIONS POWX075710S		Features	Box content	Symbols
Rated voltage - frequency	220-240V~ 50Hz	<ul style="list-style-type: none"> • Telescopic • High precision laser • Safety guard • Dust outlet • Soft grip • Aluminium base 	1x telescopic mitre saw	
Rated power	1600W		1x dust bag	
Rotation speed	5000min ⁻¹		1x clamp / 1x wrench	
Max. cutting capacity	70x305mm		1x saw blade 24T	
Blade dimensions	Ø210x30x2.6mm - 24T		2x extension bar	
Cable length	2m		1x manual	

KREATOR

KREATOR ACCESSORIES COMPATIBLE WITH POWX075710S

SAW BLADE	SAW BLADE	SAW BLADE	SAW BLADE	ROLLER SUPPORT STAND	SUPPORT STAND
KRT020420 WOOD - 24T	KRT020421 WOOD - 48T	KRT020422 WOOD - 60T	KRT020504 MULTI - 60T	POWX0700T	POWX075100

VARO

VARO - VIC. VAN ROMPUY nv - DIY & GARDEN TOOLS
JOSEPH VAN INSTRAAAT 9 - B-2500 LIER - BELGIUM
TEL +32 (0)3 292.92.92 | FAX +32 (0)3 292.92.72
INFO@VARO.COM | WWW.VARO.COM

Box (piece)



Our +50 years of experience guarantee a professional and high quality service.