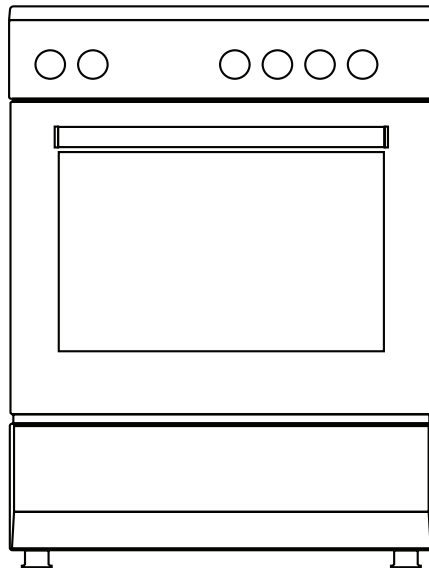


Corberó

**Gas cooker
Cocina a gas**



**CCSF45020BW / CCSF45020BX
CCSF45020NW / CCSF45020NX
CCSF60420BW / CCSF60420BX**

**USER MANUAL 
MANUAL DEL USUARIO **

Dear user,

Our objective is to make this product provide you with the best output which is manufactured in our modern facilities in a careful working environment, in compliance with total quality concept.

Therefore, we suggest you to read the user manual carefully before using the product and, keep it permanently at your disposal.

Note: This user manual is prepared for more than one model. Some of the features specified in the manual may not be available in your appliance.

All our appliances are only for domestic use, not for commercial use.

Products marked with (*) are optional.

“THIS APPLIANCE SHALL BE INSTALLED IN ACCORDANCE WITH THE REGULATIONS FORCE AND ONLY USED IN A WELL VENTILATED SPACE. READ THE INSTRUCTIONS BEFORE INSTALLING OR USING THIS APPLIANCE”


“Confirms with the WEEE regulations.”

Contents

Important warnings.....	4
Gas connection.....	14
Introduction of the appliance.....	19
Accessories.....	20
Technical features of your oven.....	21
Installation of your oven.....	24
Chain lashing illustration.....	25
Control panel.....	26
Using oven section.....	27
Using cooker section.....	28
Cooking time table.....	29
Maintenance and cleaning.....	30
Installation of the oven door.....	31
Cleaning and maintenance of the oven's front door glass.....	32
Using the grill deflector sheet.....	33
Troubleshooting.....	34
Handling rules.....	36
Recommendations for energy saving.....	36
Environmentally-friendly disposal.....	37
Package information.....	37

IMPORTANT WARNINGS

1. Installation and repair should always be performed by **“AUTHORIZED SERVICE”**. Manufacturer shall not be held responsible for operations performed by unauthorized persons.
2. Please read this operating instructions carefully. Only by this way you can use the appliance safely and in a correct manner.
3. The oven should be used according to operating instructions.
4. Keep children below the age of 8 and pets away when operating.
5. **WARNING: The accessible parts may be hot while using the grill. Keep away from children.**
6. **WARNING: Fire hazard; do not store the materials on the cooking surface.**
7. **WARNING: The appliance and its accessible parts are hot during operation.**
8. Setting conditions of this device are specified on the label. (Or on the data plate)
9. The accessible parts may be hot when the grill is used. Small children should be kept away.
10. **WARNING: This appliance is intended for cooking. It should not be used for other purposes like heating a room.**
11. To clean the appliance, do not use steam cleaners.
12. Ensure that the oven door is completely closed after putting food inside the oven.



13. NEVER try to put out the fire with water. Only shut down the device circuit and then cover the flame with a cover or a fire blanket.

14. Children under 8 years of age should be kept away, if they cannot be monitored continuously.

15. Touching the heating elements should be avoided.

16. CAUTION: Cooking process shall be supervised. Cooking process shall always be supervised.

17. This device can be used by children over 8 years of age, people with physical, hearing or mental challenges or people with lack of experience or knowledge; as long as control is ensured or information is provided regarding the dangers.

18. This device has been designed for household use only.

19. Children must not play with the appliance. Cleaning or user maintenance of the appliance shall not be performed by children unless they are older than 8 years and supervised by adults.

20. Keep the appliance and its power cord away from children less than 8 years old.

21. Put curtains, tulle, paper or any flammable (ignitable) material away from the appliance before starting to use the appliance. Do not put ignitable or flammable materials on or in the appliance.

22. Keep the ventilation channels open.

23. The appliance is not suitable for use with an external timer or a separate remote control system.

24. Do not heat closed cans and glass jars. The pressure may lead jars to explode.

25. Oven handle is not a towel drier. Do not hang towels, etc. on the oven handle.

26. Do not place the oven trays, plates or aluminium foils directly on the oven base. The accumulated heat may damage the base of the oven.

27. While placing food to or removing food from the oven, etc., always use heat resistant oven gloves.

28. Do not use the product in states like medicated and/or under influence of alcohol which may affect your ability of judgement.

29. Be careful when using alcohol in your foods. Alcohol will evaporate at high temperatures and may catch fire to cause a fire if it comes in contact with hot surfaces.


30. After each use, check if the unit is turned off.

31. If the appliance is faulty or has a visible damage, do not operate the appliance.

32. Do not touch the plug with wet hands. Do not pull the cord to plug off, always hold the plug.

33. Do not use the appliance with its front door glass removed or broken.

34. Place the baking paper together with the food into a pre-heated oven by putting it inside a cooker or on an oven accessory (tray, wire grill etc.).



35. Do not put objects that children may reach on the appliance.

36. It is important to place the wire grill and tray properly on the wire racks and/or correctly place the tray on the rack. Place the grill or tray between two rails and make sure it is balanced before putting food on it.

37. Against the risk of touching the oven heater elements, remove excess parts of the baking paper that hang over from the accessory or container.

38. Never use it at higher oven temperatures than the maximum usage temperature indicated on your baking paper. Do not place the baking paper on the base of the oven.

39. When the door is open, do not place any heavy object on the door or allow children to sit on it. You may cause the oven to overturn or the door hinges to be damaged.

40. The packaging materials are dangerous for children. Keep packaging materials away from the reach of children.

41. Do not use abrasive cleaners or sharp metal scrapers to clean the glass as the scratches that may occur on the surface of the door glass may cause the glass to break.

42. Do not place the appliance on a surface covered with carpets. Electric parts gets overheated since there will be no ventilation from below. This will cause failure of the appliance.

43. Do not hit glass surfaces of vitro-ceramic cookers with a hard metal, resistance can get damaged. It may cause an electric shock.

44. User should not handle the oven by himself.

45. Use shall be careful when cleaning gas burners. It may cause personal injuries.

46. Food can spill when foot of oven is dismantled or gets broken, be careful. It may cause personal injuries.

47. During usage, the internal and external surfaces of the oven get hot. As you open the oven door, step back to avoid the hot vapour coming out from the interior. There is risk of burning.

48. Upper cover of the oven can be closed for a reason, than cookware can trip over. Step back to avoid the hot food coming on you. There is risk of burning.


49. Do not place heavy objects when oven door is open, risk of toppling.

50. User should not dislocate the resistance during cleaning. It may cause an electric shock.

51. Do not remove ignition switches from the appliance. Otherwise, live electric cables can be accessed. It may cause an electric shock.

52. Oven supply can be disconnected during any construction work at home. After completing the work, re-connecting the oven shall be done by authorized service.

53. Do not place metal utensils such as knife, fork, spoon on the surface of the appliance, since they will get hot.



54. To prevent overheating, the appliance should not be installed behind of a decorative cover.

55. Turn off the appliance before removing the safeguards. After cleaning, install the safeguards according to instructions.

56. Cable fixing point shall be protected.

57. WARNING: Don't use oven and grill burners at same time.

58. Please don't cook the food directly on the tray / grid. Please put the food into or on appropriate tools before putting them in the oven.

59. Hot surface, leave for cooling before closing the cover.

Gas Safety

1. This appliance is not connected to burning products evacuation apparatus. This appliance must be connected and installed according to the installation regulations in force. Conditions regarding ventilation must be considered.


2. When a gas cooking appliance is used; humidity, heat and burning products are generated in the room. First of all, make sure the kitchen is well ventilated when operating the appliance and maintain natural ventilation openings or install a mechanical ventilation equipment.

3. After using the appliance heavily for an extended period of time, additional ventilation may be required. For example open a window or adjust a higher speed for mechanical ventilation, if any.

4. This appliance must be used only in well ventilated locations in accordance with the regulations in force. Please read the manual before installing or using this product.

5. Before positioning the appliance, make sure local network conditions (gas type and gas pressure) meets appliance requirements.

6. The mechanism cannot be run for longer than 15 seconds. If the burner is not on after 15 seconds, stop the mechanism and wait for at least one minute before trying to ignite the burner again.



7. All kinds of operations to be performed on gas installation must be performed by authorized and competent people.

8. This appliance is adjusted for either gas natural (NG) or LPG. If you have to use your product with a different gas type, you have to apply to authorized service for the conversion.

9. For proper operation, hood, gas pipe and clamp should be replaced periodically according to manufacturer recommendations and when required.

10. Gas should burn well in gas products. Well burning gas can be understood from blue flame and continuous burning. If gas does not burn sufficiently, carbon monoxide (CO) can be generated. Carbon monoxide is a colourless, odourless and very toxic gas; even small amounts have lethal effect.

11. Ask your local gas supplies about the phone numbers for emergencies related to gas and the measures to be taken upon gas odour is detected.

What To Do When Gas Odour Is Detected

1. Do not use naked flame, and do not smoke.
2. Do not operate any electrical switch.
(For example: lamp switch or doorbell)
3. Do not use telephone or mobile phone.
4. Open the doors and windows.
5. Close all valves on the appliances that utilize gas and the gas counters.
6. Call fire brigade from a telephone outside the home.
7. Check all hoses and their connections against leaks.
If you still smell gas, leave the house and warn your neighbours.
8. Do not enter into the house until authorities clarify it is safe.



Intended Use

- 1.** This product is designed for home use. Commercial use of the appliance is not permitted.
- 2.** This appliance may only be used for cooking purposes. It shall not be used for other purposes like heating a room.
- 3.** This appliance shall not be used to heat plates under the grill, drying clothes or towels by hanging them on the handle or for heating purposes.
- 4.** The manufacturer assumes no responsibility for any damage due to misuse or mishandling.
- 5.** Oven part of the unit may be used for thawing, roasting, frying and grilling food.
- 6.** Operational life of the product you have purchased is 10 years. This is the period for which the spare parts required for the operation of this product as defined is provided by the manufacturer.

Gas Connection

WARNING: Before starting any work related with gas installation, turn off gas supply. Risk of explosion.

Please operate your oven in dry atmosphere.

1. Fit the clamp to the hose. Push one of the hose until it goes to the end of the pipe.

2. For the sealing control; ensure that the buttons in the control panel are closed, but the gas cylinder is open. Apply some soap bubbles to the connection. If there is gas leakage, there will be foaming in the soaped area.

3. The oven should be using a well ventilation place and should be install on flat ground.

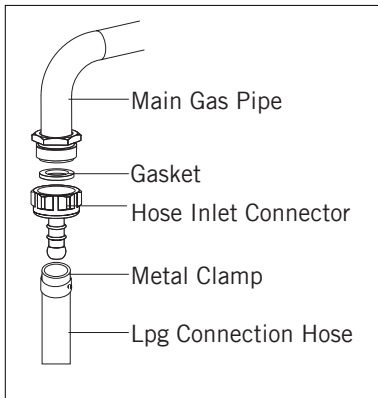
4. Re-inspect the gas connection.

5. When placing your oven to its location, ensure that it is at the counter level. Bring it to the counter level by adjusting the feet if necessary.

6. Do not make gas hose and electrical cable of your oven go through the heated areas, especially through the rear side of the oven. Do not move gas connected oven. Since the forcing shall loosen the hose, gas leakage may occur.

7. Please use flexible hose for gas connection.

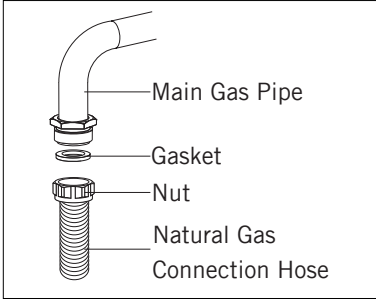
For LPG connection;



For LPG (cylinder) connection, affix metal clamp on the hose coming from LPG cylinder. Affix an edge of the hose on hose inlet connector behind the appliance by pushing to end through heating the hose in boiled water. Afterward, bring the clamp towards end section of the hose and tighten it with screwdriver. The gasket and hose inlet connector required for connection is as the picture shown below.

NOTE: The regulator to be affixed on LPG cylinder should have 300 mmSS feature.

For natural gas connection;



WARNING: Natural gas connection should be done by authorized service.

For natural gas connection, place gasket in the nut at the edge of natural gas connection hose. To install the hose on main gas pipe, turn the nut. Complete the connection by making gas leakage control.

Gas hose passage way

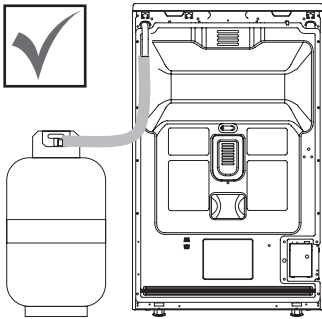


Figure 1

Connect the appliance to the gas piping tap in shortest possible route and in a way that ensure no gas leakage will occur.

In order to carry on a tightness and sealing safety check ensure that the knobs on the control panel are closed and the gas cylinder is open.

WARNING: While performing a gas leakage check, never use any kind of lighter, match, cigarette or similar burning substance.

Apply soap bubble on the connection points. If there is any kind of leakage then it will cause bubbling.

While inserting the appliance in place ensure that it is on the same level with the worktop. If required adjust the legs in order to make level with the worktop.

Use the appliance on a level surface and in a well ventilated environment.

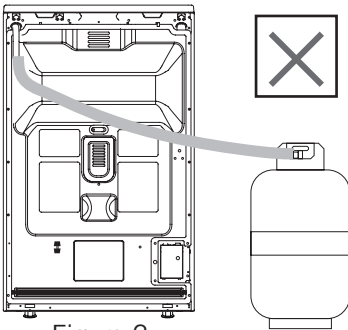


Figure 2

WARNING: Before placing the appliance, check that the local distribution conditions (gas type and pressure) conform to the product settings.

Nozzle change operation

1. Please use driver with special head for removed and install nozzle as. (figure 3)
2. Please remove nozzle (figure 4) from burner with special nozzle driver and install new nozzle. (figure 5)

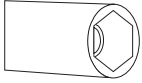


Figure 3

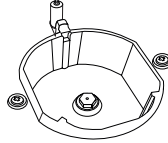


Figure 4

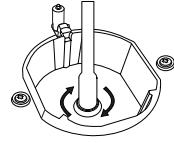


Figure 5

Ventilation of room

The air needed for burning is received from room air and the gases emitted are given directly in room. For safe operation of your product, good room ventilation is a precondition. If no window or room to be utilized for room ventilation is available, additional ventilation should be installed. However, room has a door opening outside, it is no needed to vent holes.

Room size	Ventilating opening
Smaller than 5 m ³	min. 100 cm ²
Between 5 m ³ - 10 m ³	min. 50 cm ²
Bigger than 10 m ³	no need
In basement or cellar	min. 65 cm ²

Reduced gas flow rate setting for hob taps

1. Ignite the burner that is to be adjustment and turn the knob to the reduced position.

2. Remove the knob from the gas tap.

3. Use an appropriately sized screwdriver to adjust the flow rate adjustment screw. For LPG (butane-pro pane) turn the screw clockwise. For the naturel gas, you should turn the screw counter- clockwise once.

“The normal length of a straight flame in the reduced position should be 6-7 mm.”

4. If the flame is higher then the desired position, turn the screw clockwise. If it is smaller turn anticlockwise.

5. For the last control, bring the burner both to higt-flame and reduced positions and check whether the flame is on or off.

Depending on the type of gas tap used in your appliance the adjustment screw position may vary.

To adjust your oven acc. to the gas type, make the adjustment for reduced flame carefully by turning with a small screwdriver as shown below on the screw in the middle of the gas cocks as well as nozzle changes. (figure 6 and 7)

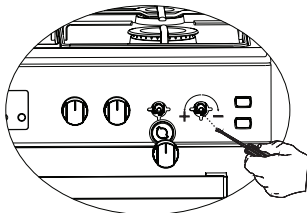


Figure 6

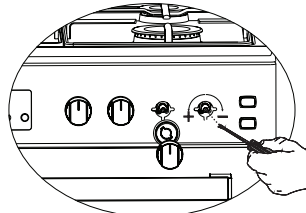


Figure 7

Removal of the lower and upper burner and installation of the injector to the gas oven

Removal of the upper burner:

With the help of a screw driver, remove the screw as shown in figure 8. As shown in figure 9, remove the burner from its place by pulling it to yourself. As shown in figure 10, remove the injector in the bearing with a socket wrench. In order to re-place the burner, apply the removal process reversely.

Figure 8

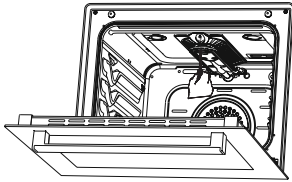


Figure 9

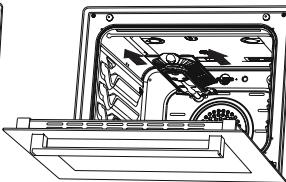
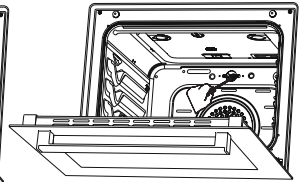


Figure 10



Removal of the lower burner:

The lower burner door has been fixed with two screws. As shown in figure 11, remove it with the help of a screw driver. Remove the door by pulling upwards as shown in figure 12. Remove the burner from its place by pulling it to yourself as shown in figure 13. As shown in figure 14, remove the injector in the bearing with a socket wrench. In order to replace the burner, apply the removal process reversely.

Figure 11

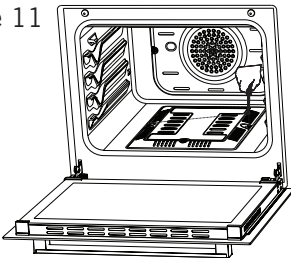


Figure 12

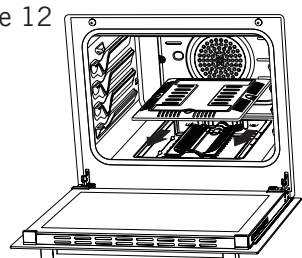


Figure 13

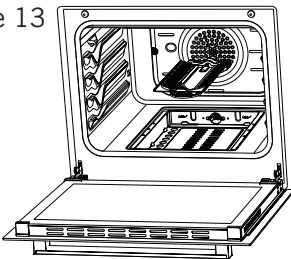
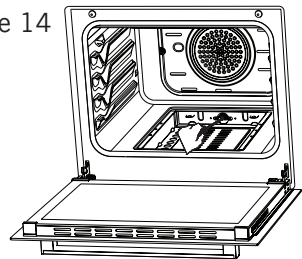
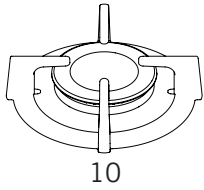


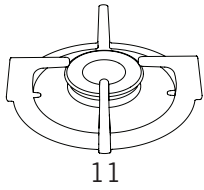
Figure 14



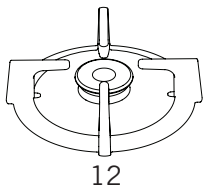
INTRODUCTION OF THE APPLIANCE



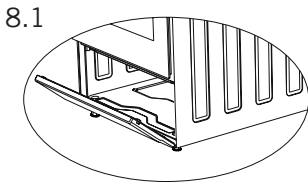
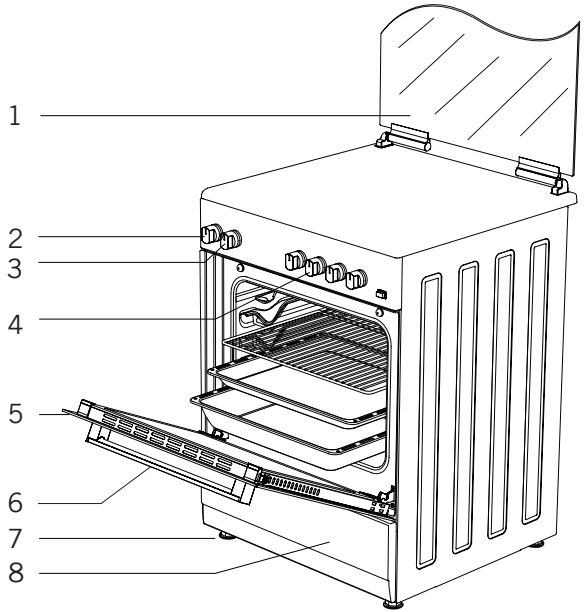
10



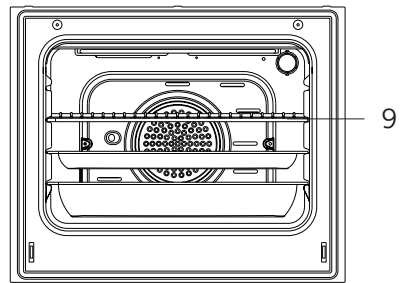
11



12



8.1



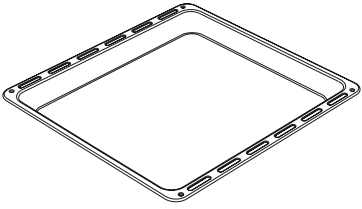
9

1. Glass door
(Sheet metal door)
2. Thermostat setting
3. Oven setting
4. Cooker section control
Switches

5. Door
6. Handle
7. Plastic leg
8. Lower cabinet door
8.1 Flap door *

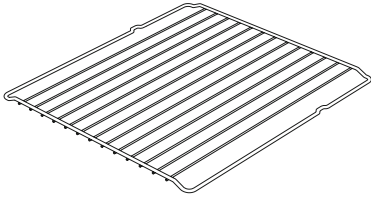
9. Grill
10. Large burner
11. Middle burner
12. Auxiliary burner

Accessories



Tray

Used for pastry (cookie, biscuit etc.), frozen foods.



Wire grill

Used for roasting or placing foods to be baked, roasted and frozen into desired rack.

Technical Features Of Your Oven

Specifications	50x55	60x60
Outer width	500 mm	600 mm
Outer depth	565 mm	630 mm
Outer height	855 mm	855 mm

WARNING: For the modification to be done by authorized service, this table should be considered. Manufacturer may not be held responsible for any problems rising because of any faulty modification.

WARNING: In order to increase the product quality, the technical specifications may be changed without prior notice.

WARNING: The values provided with the appliance or its accompanying documents are laboratory readings in accordance with the respective standards. These values may differ depending on the use and ambient conditions.

Burner Specifications	G20,20 mbar G25,25 mbar			G20,25 mbar		G20,13 mbar	
	Gas natural			Gas natural		Gas natural	
Rapid Burner	Injector	1,15	mm	1,10	mm	1,45	mm
	Gas flow	0,276	m ³ /h	0,276	m ³ /h	0,276	m ³ /h
	Power	2,90	kW	2,90	kW	2,90	kW
Semi-Rapid Burner	Injector	0,97	mm	0,92	mm	1,10	mm
	Gas flow	0,162	m ³ /h	0,162	m ³ /h	0,162	m ³ /h
	Power	1,70	kW	1,70	kW	1,70	kW
Auxiliary Burner	Injector	0,72	mm	0,70	mm	0,85	mm
	Gas flow	0,96	m ³ /h	0,96	m ³ /h	0,96	m ³ /h
	Power	0,95	kW	0,95	kW	0,95	kW
Grill Burner	Injector	1,00	mm	0,92	mm	1,35	mm
	Gas flow	0,196	m ³ /h	0,196	m ³ /h	0,196	m ³ /h
	Power	2,00	kW	2,00	kW	2,00	kW
Oven Burner	Injector	1,10	mm	1,00	mm	1,50	mm
	Gas flow	0,235	m ³ /h	0,235	m ³ /h	0,235	m ³ /h
	Power	2,50	kW	2,50	kW	2,50	kW

Burner Specifications	G30,28-30 mbar G31,37 mbar			G30,50 mbar		G30,37 mbar	
	LPG			LPG		LPG	
Rapid Burner	Injector	0,85	mm	0,75	mm	0,85	mm
	Gas flow	211	g/h	211	g/h	211	g/h
	Power	2,90	kW	2,90	kW	2,90	kW
Semi-Rapid Burner	Injector	0,65	mm	0,60	mm	0,65	mm
	Gas flow	124	g/h	124	g/h	124	g/h
	Power	1,70	kW	1,70	kW	1,70	kW
Auxiliary Burner	Injector	0,50	mm	0,43	mm	0,50	mm
	Gas flow	69	g/h	69	g/h	69	g/h
	Power	0,95	kW	0,95	kW	0,95	kW
Grill Burner	Injector	0,70	mm	0,60	mm	0,65	mm
	Gas flow	145	g/h	145	g/h	145	g/h
	Power	2,00	kW	2,00	kW	2,00	kW
Oven Burner	Injector	0,75	mm	0,65	mm	0,70	mm
	Gas flow	182	g/h	182	g/h	182	g/h
	Power	2,50	kW	2,50	kW	2,50	kW

WARNING: Diameter values written on the injector are specified without a comma. For example; The diameter of 1,70 mm is specified as 170 on the injector.

INSTALLATION OF YOUR OVEN

Check if the electrical installation is proper to bring the appliance in operating condition. If electricity installation is not suitable, call an electrician and plumber to arrange the utilities as necessary. Manufacturer shall not be held responsible for damages caused by operations performed by unauthorized persons.

WARNING: It is customer's responsibility to prepare the location the product shall be placed on and also to have the electrical installation prepared.

WARNING: The rules in local standards about electrical installations shall be followed during product installation.

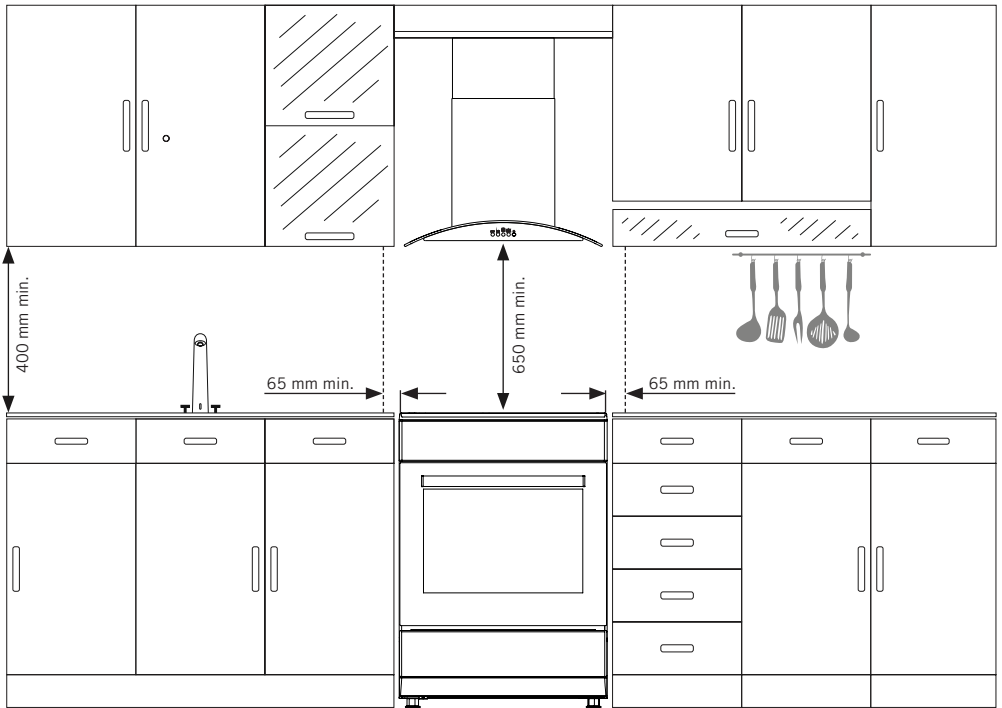
WARNING: Check for any damage on the appliance before installing it. Do not have the product installed if it is damaged. Damaged products cause a risk for your safety.

Right Place For Installation And Important Warnings

Appliance feet should not stay on soft surfaces such as carpets. The kitchen floor shall be durable to carry the unit weight and any other kitchenware that may be used on the oven.

Appliance should be used with a clearance of minimum 400 mm over the upper hob surfaces, and 65 mm from side surfaces inside a kitchen furniture.

The appliance is suitable for use on both side walls, without any support, or without being installed in a cabinet. If a hood or aspirator will be installed above the cooker, follow the instructions of the manufacturer for height of mounting. (min. 650 mm)

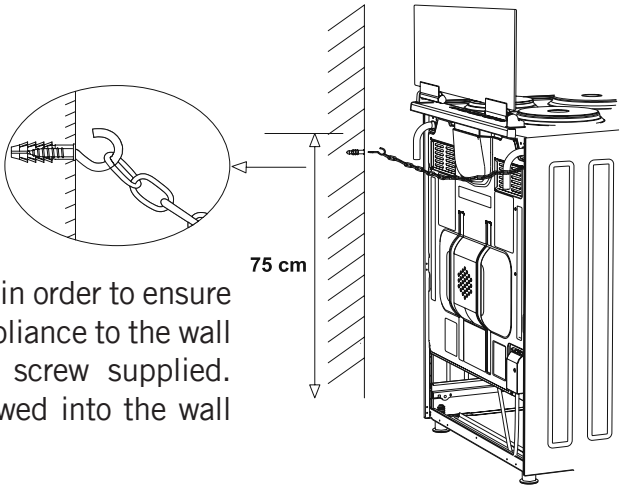


WARNING: The kitchen furniture near the appliance must be heat resistant.

WARNING: Do not install the appliance beside refrigerators or coolers. Heat radiated by the appliance increases the energy consumption of cooling devices.

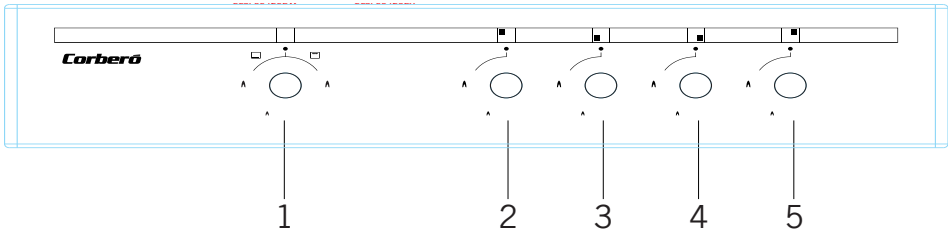
WARNING: Do not use the door and/or handle to carry or move the appliance.

Chain lashing illustration



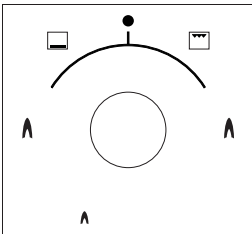
Before using the appliance, in order to ensure safe use, be sure to fix the appliance to the wall using the chain and hooked screw supplied. Ensure that the hook is screwed into the wall securely.

CONTROL PANEL



- | | |
|------------------------------|-----------------------|
| 1. Function selection button | 4. Front right heater |
| 2. Rear left heater | 5. Rear right heater |
| 3. Front left heater | |

Oven Control Button



Provides to control gas oven burners (for thermostatic oven burner and upper burner). Also you can use the ignition under knob function to flame the gas burners.

USING OVEN SECTION

Using Oven Burners

1. If your oven equipped with burners that operates with gas, appropriate knob should be used in order to ignite the burners. Some models have automatic ignition from the knob; it is easy to ignite the burner by turning the knob. Also, burners can be ignited by pressing the ignition button or they can be ignited with a match.

2. Do not continuously operate the igniter for more than 15 seconds. If the burner does not ignite, wait minimum one minute before trying again. If the burner is extinguished for of the any reason, close the gas control valve and wait a minimum of one minute before trying again.

Using Oven Heating Elements

1. When your oven is operated first time, an odor will be spread out which will be sourced from using the heating elements. In order to get rid of this, operate it at 240 °C for 45-60 minutes while it is empty.

2. Oven control knob should be positioned to desired value; otherwise oven does not operate.

3. Kinds of meals, cooking times and thermostat positions are given in cooking table. The values given in the cooking table are characteristic values and were obtained as a result of the tests performed in our laboratory. You can find different flavors suitable for your taste depending on your cooking and using habits.

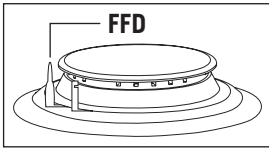
4. You can make chicken revolving in your oven by means of the accessories.

5. Cooking times: The results may change according to the area voltage and material having different quality, amount and temperatures.

6. During the time when cooking is being performed in the oven, the lid of the oven should not be opened frequently. Otherwise circulation of the heat may be imbalanced and the results may change.

Using Cooker Section

Using gas burners



Flame cut-off safety device (FFD) *; operates instantly when safety mechanism activates due to overflow liquid over hobs.

1. The valves controlling the gas cookers have special security mechanism. In order to light the cooker always press on the switch forward and bring it to flame symbol by turnin counter clockwise. All of the lighters shall operate and the cooker you controlled shall light only. Keep the switch pressed until ignition i performed. Press on the lighter button and turn the knob counter clockwise.

2. Do not continuously operate the igniter for more than 15 seconds. If the burner does not ignite, wait minimum one minute before try again.

3. In models with gas security system, when flame of the cooker is extinguished, control valve cuts off the gas automatically. For operate the burners with gas security system you must press the knob and turn counter-clock-wise. After the ignition you must wait nearly 5-10 second for gas security systems activation. If the burner is extinguished for of the any reason, close the gas control valve and wait a minimum of one minute before trying again.

4. ● Closed 🔥 Fully open 🔥 Half open

5. Before operating your hob please make sure that the burner caps are well positioned. The right placement of the burner caps are shown as below.

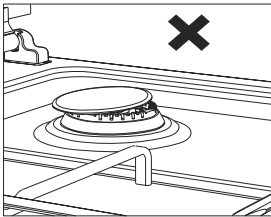


Figure 15

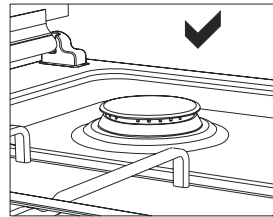


Figure 16

Pot Sizes

	50*55	60*60
Small burner	12-18 cm	12-18 cm
Normal burner	18-20 cm	18-20 cm
Big burner	22-24 cm	22-26 cm



Incorrect



Incorrect



Incorrect



Correct

COOKING TIME TABLE

WARNING: Oven must be preheated for 10 minutes before placing the food in it.

Foods	Cooking function	Temperature (°C)	Rack position	Cooking duration (min.)
Cake (Tray / Mold)	Oven	170-180	3	35-45
Small cakes	Oven	170-180	3	25-30
Patty	Oven	180-200	3	35-45
Pastry	Oven	180-190	3	25-30
Cookie	Oven	170-180	3	20-25
Apple pie	Oven	180-190	3	50-70
Sponge cake	Oven	200/150 *	3	20-25
Pizza	Oven	180-200	3	20-30
Lasagna	Oven	180-200	3	25-40
Meringue	Oven	100	3	50
Chicken	Oven	180-190	3	45-50
Grilled chicken **	Grill	200-220	3	25-35
Grilled fish **	Gril	200-220	3	25-35
Sirloin steak **	Grill	Max.	4	15-20
Grilled meat balls **	Grill	Max.	4	20-25

* Without pre-heating. Half of the cooking should be 200°C and then second half should be 150°C.

** During the half of cooking, meal should be turned around.

MAINTENANCE AND CLEANING

1. Disconnect the plug supplying electricity for the oven from the socket.
2. While oven is operating or shortly after it starts operating, it is extremely hot. You must avoid touching from heating elements.
3. Never clean the interior part, panel, lid, trays and all other parts of the oven by the tools like hard brush, cleaning mesh or knife. Do not use abrasive, scratching agents and detergents.
4. After cleaning the interior parts of the oven with a soapy cloth, rinse it and then dry thoroughly with a soft cloth.
5. Clean the glass surfaces with special glass cleaning agents.
6. Do not clean your oven with steam cleaners.
7. Before opening the upper lid of the oven, clean spilled liquid off the lid. Also, before closing the lid, ensure that the cooker table is cooled enough.
8. Never use inflammable agents like acid, thinner and gasoline when cleaning your oven.
9. Do not wash any part of your oven in dishwasher.
10. In order to clean the front glass lid of the oven; remove the fixing screws fixing the handle by means of a screwdriver and remove the oven door. Then clean and rinse it thoroughly. After drying, place the oven glass properly and re-install the handle.

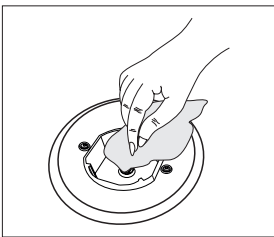


Figure 17

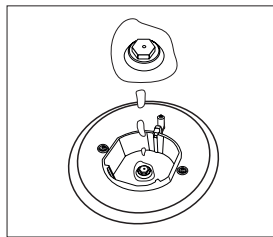


Figure 18

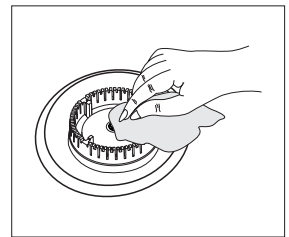


Figure 19

Installation Of The Oven Door

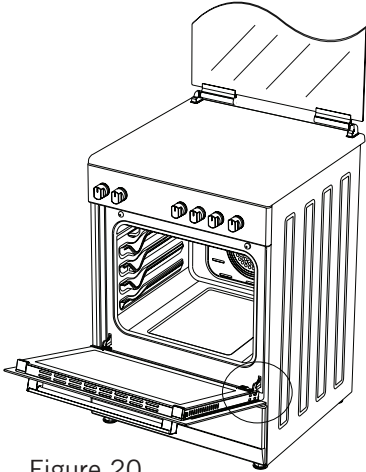


Figure 20

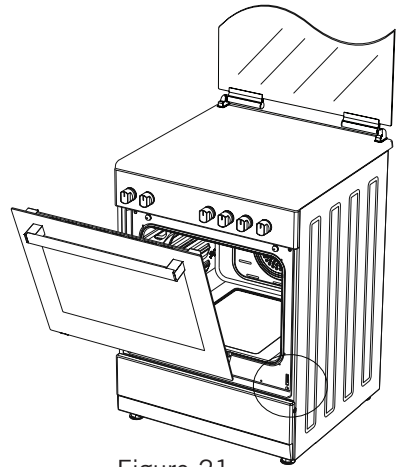


Figure 21

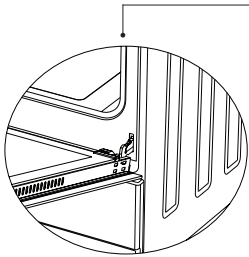


Figure 20.1

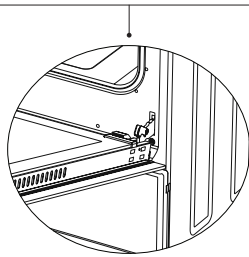


Figure 20.2

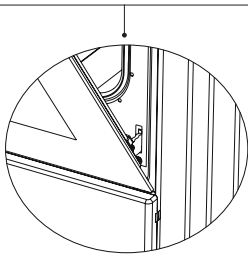


Figure 21.1

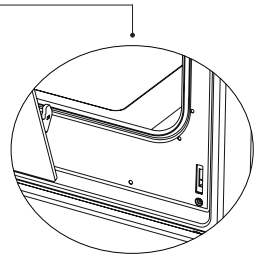


Figure 21.2

Completely open the oven door by pulling it to yourself. Afterwards, perform the unlocking process by pulling the hinge lock upwards with the help of a screw driver as shown in **figure 20.1**.

Bring the hinge lock to the widest angle as shown in **figure 20.2**. Bring both hinges connecting the oven door to the oven to the same position.

Afterwards, close the oven door as to lean on the hinge lock as shown in **figure 21.1**.

To remove the oven door, pull it upwards by holding it with both hands when close to the closed position as shown in **figure 21.2**.

In order to re-place the oven door, perform the abovementioned steps in reverse.

Cleaning And Maintenance Of The Oven's Front Door Glass

Remove the profile by pressing the plastic latches on both left and right sides as shown in figure 22 and pulling the profile towards yourself as shown in figure 23. Then remove the inner-glass as shown in figure 24. If required, middle glass can be removed in the same way. After cleaning and maintenance are done, remount the glasses and the profile in reverse order. Make sure the profile is properly seated in its place.

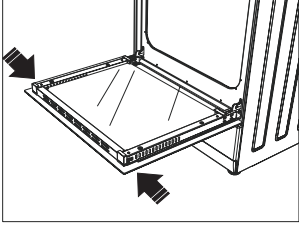


Figure 22

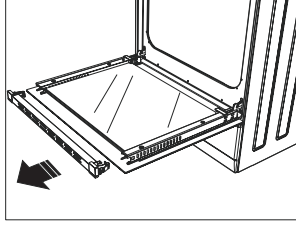


Figure 23

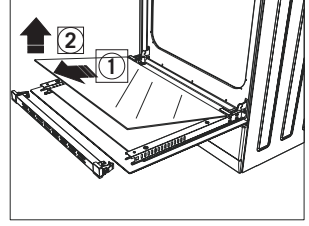


Figure 24

Using The Grill Deflector Sheet *

1. A safety panel is designed to protect control panel and the buttons when the oven is in grill mode. (figure 25)

2. Please use this safety panel in order to avoid the heat to damage control panel and the buttons when the oven is grill mode.

WARNING: Accessible parts may be hot when the grill in use. Young children should be kept away.

3. Place the safety panel under control panel by opening the oven front cover glass. (figure 26)

4. And then secure the safety panel in between oven and front cover by gently closing the cover. (figure 27)

5. It is important for cooking to keep the cover open in specified distance when cooking in grill mode.

6. Safety panel will provide an ideal cooking circumstance while protecting control panel and buttons.

WARNING: If the cooker has the “closed grill functioned” option with thermostat, you can keep the oven door closed during operation; in this case the grill deflector sheet will be unnecessary.

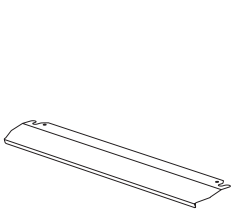


Figure 25

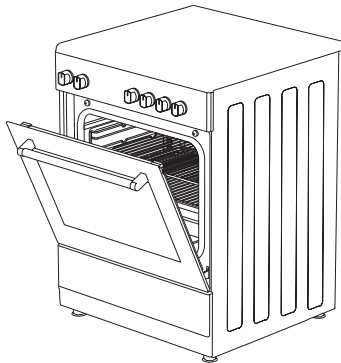


Figure 26

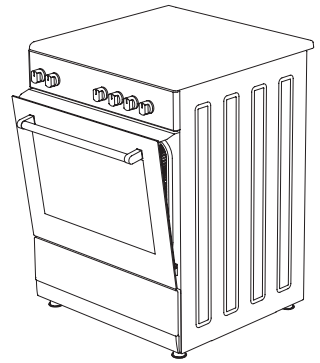


Figure 27

TROUBLESHOOTING

You may solve the problems you may encounter with your product by checking the following points before calling the technical service.

Check Points

In case you experience a problem about the oven, first check the table below and try out the suggestions.

Problem	Possible cause	What to do
Oven does not operate.	Power supply not available.	Check for power supply.
	Gas supply not available.	Check if main gas valve is open.
		Check if gas pipe is bent or kinked.
		Make sure gas hose is connected to the oven.
	Check if suitable gas valve is being used.	
Oven stops during cooking.	Plug comes out from the wall socket.	Re-install the plug into wall socket.
Turns off during cooking.	Too long continuous operation.	Let the oven cool down after long cooking cycles.
	More than one plugs in a wall socket.	Use only one plug for each wall socket.
Oven door is not opening properly.	Food residues jammed between the door and internal cavity.	Clean the oven well and try to re-open the door.
Lighter not operating.	Tips or body of ignition plugs are clogged.	Clean tips or body of ignition plugs of gas burners.
	Gas burner pipes are clogged.	Clean gas burner pipes.
Electric shock when touching the oven.	No proper grounding.	Make sure power supply is grounded properly.
	Ungrounded wall socket is used.	

Problem	Possible cause	What to do
Water dripping.	Water or steam may generate under certain conditions depending on the food being cooked. This is not a fault of the appliance.	Let the oven cool down and then wipe dry with a dishcloth.
Steam coming out from a crack on oven door.		
Water remaining inside the oven.		
Oven does not heat.	Oven door is open.	Close the door and restart.
	Oven controls not correctly adjusted.	Read the section regarding operation of the oven and reset the oven.
	Fuse tripped or circuit breaker turned off.	Replace the fuse or reset the circuit breaker. If this is repeating frequently, call an electrician.
Smoke coming out during operation.	When operating the oven for the first time.	Smoke comes out from the heaters. This is not a fault. After 2-3 cycles, there will be no more smoke.
	Food on heater.	Let the oven to cool down and clean food residues from the heater.
When operating the oven burnt or plastic odour coming out.	Plastic or other not heat resistant accessories are being used inside the oven.	At high temperatures, use suitable glassware accessories.
Oven does not cook well.	Oven door is opened frequently during cooking.	Do not open oven door frequently, if the food you are cooking does not require turning. If you open the door frequently internal temperature drops and therefore cooking result will be influenced.
Internal light is dim or does not operate.	Foreign object covering the lamp during cooking.	Clean internal surface of the oven and check again.
	Lamp might be failed.	Replace with a lamp with same specifications.

HANDLING RULES

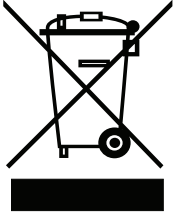
1. Do not use the door and/or handle to carry or move the appliance.
2. Carry out the movement and transportation in the original packaging.
3. Pay maximum attention to the appliance while loading/unloading and handling.
4. Make sure that the packaging is securely closed during handling and transportation.
5. Protect from external factors (such as humidity, water, etc.) that may damage the packaging.
6. Be careful not to damage the appliance due to bumps, crashes, drops, etc. while handling and transporting and not to break or deform it during operation.

RECOMMENDATIONS FOR ENERGY SAVING

Following details will help you use your product ecologically and economically.

1. Use dark coloured and enamel containers that conduct the heat better in the oven.
2. As you cook your food, if the recipe or the user manual indicates that pre-heating is required, pre-heat the oven.
3. Do not open the oven door frequently while cooking.
4. Try not to cook multiple dishes simultaneously in the oven. You may cook at the same time by placing two cookers on the wire rack.
5. Cook multiple dishes successively. The oven will not lose heat.
6. Turn off the oven a few minutes before the expiration time of cooking. In this case, do not open the oven door.
7. Defrost the frozen food before cooking.

ENVIRONMENTALLY-FRIENDLY DISPOSAL



Dispose of packaging in an environmentally-friendly manner.

This appliance is labelled in accordance with European Directive 2012/19/EU concerning used electrical and electronic appliances (waste electrical and electronic equipment - WEEE). The guideline determines the framework for the return and recycling of used appliances as applicable throughout to the EU.

PACKAGE INFORMATION

Packaging materials of the product are manufactured from recyclable materials in accordance with our National Environment Regulations. Do not dispose of the packaging materials together with the domestic or other wastes. Take them to the packaging material collection points designated by the local authorities.

Estimados Usuarios,

Nuestro objetivo es hacer que este producto le proporcione el mejor resultado que se fabrica en nuestras instalaciones modernas en un entorno de trabajo cuidadoso, en conformidad con el concepto de calidad total.

Por lo tanto, le sugerimos que lea el manual del usuario detenidamente antes de usar el producto y que lo tenga permanentemente a su disposición.

Nota: Este manual de usuario está preparado para más de un modelo. Algunas de las características especificadas en el manual pueden no estar disponibles en su dispositivo.

Todos nuestros electrodomésticos son solo para uso doméstico, no para uso comercial.

Los productos marcados con (*) son opcionales.

“ESTE APARATO DEBERÁ SER INSTALADO DE ACUERDO CON LAS NORMAS DE REGLAMENTACIÓN Y SOLO SE UTILIZARÁ EN UN ESPACIO BIEN VENTILADO. LEA LAS INSTRUCCIONES ANTES DE INSTALAR O UTILIZAR ESTE APARATO”

“Cumple con las Regulaciones WEEE”.

Contenido

Advertencias importantes.....	40
Conexión de gas.....	50
Introducción al uso del aparato.....	55
Accesorios.....	56
Características técnicas de su horno.....	57
Instalación del horno.....	60
Ilustración de amarre de cadena.....	62
Panel de mandos.....	62
Uso del horno.....	63
Uso de la sección del horno.....	64
Tabla de horneado y asado.....	65
Mantenimiento y limpieza.....	66
Montaje de puerta de horno.....	67
Limpieza y mantenimiento del vidrio de la puerta frontal del horno.....	68
Uso de la hoja deflectora de la parrilla.....	69
Solución de problemas.....	70
Reglas de manipulación.....	72
Recomendaciones para el ahorro de energía.....	72
Eliminación respetuosa con el medio ambiente.....	73
Información sobre el embalaje.....	73

ADVERTENCIAS IMPORTANTES

1. La instalación y la reparación siempre deben ser realizadas por el **“SERVICIO AUTORIZADO”**. El fabricante no se hace responsable de las operaciones realizadas por personas no autorizadas.

2. Lea atentamente estas instrucciones de funcionamiento. Solo de esta manera puede usar el dispositivo de forma segura y correcta.

3. El horno debe usarse de acuerdo con las instrucciones de funcionamiento.

4. Mantenga a los niños menores de 8 años y a las mascotas alejados cuando opere.

5. **ADVERTENCIA: Las partes accesibles pueden estar calientes al usar la parrilla. Manténgalos alejados de los niños.**

6. **ADVERTENCIA: Peligro de incendio, no guarde los materiales en la superficie de cocción.**

7. **ADVERTENCIA: El aparato y sus partes accesibles están calientes durante la operación.**

8. Las condiciones de configuración de este dispositivo se especifican en la etiqueta. (O en la placa de datos)

9. Las partes accesibles pueden estar calientes cuando se usa la parrilla. Los niños pequeños deberían mantenerse lejos.

10. **ADVERTENCIA: Este aparato está diseñado para cocinar. No debe utilizarse para otros propósitos, como para calefacción.**

11. Para limpiar el aparato, no use limpiadores de vapor.

12. Asegúrese de que la puerta del horno esté completamente cerrada después de colocar los alimentos dentro del horno.

13. NO TRATE NUNCA de apagar el fuego con agua. Solo apague el circuito del dispositivo y luego cubra la llama con una cubierta o una manta ignífuga.

14. En caso de no poder vigilar adecuadamente a los menores de 8 años, deberá mantenerles lejos del aparato.

15. Debe evitarse tocar los elementos calientes.

16. PRECAUCIÓN: El proceso de cocción deberá ser supervisado. El proceso de cocción siempre deberá ser supervisado.

17. Este dispositivo puede ser utilizado por niños mayores de 8 años, personas con problemas físicos, auditivos o mentales o personas con falta de experiencia o conocimiento, siempre que se garantice el control o se les proporcione información sobre los peligros.

18. Este dispositivo ha sido diseñado solo para uso doméstico.

19. Los niños no deben jugar con el aparato. La limpieza o el mantenimiento al aparato por parte del usuario no debe ser realizado por niños a menos que sean mayores de 8 años y sean supervisados por adultos.

20. Mantenga el aparato y su cable de alimentación lejos de niños menores de 8 años.

21. Coloque cortinas, tul, papel o cualquier material inflamable (inflamable) lejos del aparato antes de comenzar a usarlo. No coloque materiales inflamables encima o dentro del aparato.

22. Mantenga abiertos los canales de ventilación.

23. El aparato no es adecuado para su uso con un temporizador externo o un sistema de control remoto por separado.

24. No caliente latas cerradas ni frascos de vidrio. La presión puede llevar a los tarros a explotar.

25. El asa del horno no es un colgador de toallas. No cuelgue toallas, etc. en el asa del horno.


26. No coloque las bandejas del horno, platos u hojas de aluminio directamente sobre la base del horno. El calor acumulado puede dañar la base del horno.

27. Mientras coloca alimentos o retira alimentos del horno, etc., siempre use guantes resistentes al calor.

28. No use el producto estando bajo medicación y/o bajo la influencia del alcohol, que puede afectar su capacidad de buen juicio.

29. Tenga cuidado al usar alcohol en sus alimentos. El alcohol se evaporará a altas temperaturas y puede prenderse fuego y causar un incendio si entra en contacto con superficies calientes.

30. Después de cada uso, verifique si la unidad está apagada.



31. Si el aparato está defectuoso o tiene un daño visible, no lo haga funcionar.

32. No toque el enchufe con las manos mojadas. No tire del cable para desconectarlo, siempre sostenga el enchufe.

33. No use el aparato con el cristal de la puerta frontal retirado o roto.

34. Coloque el papel de hornear junto con la comida en un horno precalentado poniéndolo dentro de una olla o en un accesorio de horno (bandeja, parrilla de alambre, etc.).

35. No coloque objetos que puedan alcanzar los niños en el aparato.

36. Es importante colocar la parrilla de alambre y la bandeja correctamente en los estantes de alambre y/o colocar correctamente la bandeja en el estante. Coloque la parrilla o bandeja entre dos rieles y asegúrese de que esté equilibrada antes de poner comida sobre ella.

37. Contra el riesgo de tocar los elementos del quemador del horno, retire las partes sobrantes del papel de hornear que cuelgan del accesorio o contenedor.

38. Nunca lo use a temperaturas de horno superiores a la temperatura de uso máxima indicada en su papel de hornear. No coloque el papel de hornear en la base del horno.

39. Cuando la puerta esté abierta, no coloque ningún objeto pesado sobre la puerta ni permita que los niños se sienten en ella. Puede hacer que el horno vuelque o que las bisagras de la puerta se dañen.

40. Los materiales de embalaje son peligrosos para los niños. Mantenga los materiales de embalaje lejos del alcance de los niños.

41. No utilice limpiadores abrasivos ni raspadores metálicos afilados para limpiar el cristal, ya que los arañazos que pueden ocurrir en la superficie del cristal de la puerta pueden hacer que el cristal se rompa.

42. No coloque el aparato sobre una superficie cubierta con alfombras. Las piezas eléctricas se sobrecalientan ya que no habrá ventilación desde abajo. Esto causará la falla del dispositivo.

43. No golpee las superficies de vidrio de las hornillas de vitrocerámica con un metal duro, la resistencia podría dañarse. Puede causar una descarga eléctrica.

44. El usuario no debe manejar el horno solo.

45. El usuario debe tener cuidado al limpiar los quemadores de gas. Puede causar lesiones personales.

46. La comida puede derramarse cuando se desmonta el pie del horno o se rompe, tenga cuidado. Puede causar lesiones personales.

47. Durante el uso, las superficies internas y externas del horno se calientan. Cuando abra la puerta del horno, retroceda para evitar que salga vapor caliente del interior. Hay riesgo de quemaduras.

48. La tapa superior del horno puede cerrarse por una buena razón, y es que el envase de cocción puede voltearse. Dé un paso atrás para evitar que le llegue el calor de la comida. Hay riesgo de quemaduras.

49. No coloque objetos pesados cuando la puerta del horno esté abierta, existe el riesgo de que se voltee.

50. El usuario no debe dislocar la resistencia durante la limpieza. Puede causar una descarga eléctrica.

51. No quite los interruptores de encendido del aparato. De lo contrario, se puede acceder a los cables eléctricos vivos. Puede causar una descarga eléctrica.

52. El suministro del horno se puede desconectar durante cualquier trabajo de construcción en el hogar. Después de completar el trabajo, vuelva a conectar el horno debe ser hecho por un servicio autorizado.

53. No coloque envases metálicos como cuchillos, tenedores o cucharas en la superficie del aparato, ya que se calientan.

54. Para evitar el sobrecalentamiento, el aparato no debe instalarse detrás de una cubierta decorativa.

55. Apague el aparato antes de quitar las protecciones. Después de limpiar, instale las protecciones de acuerdo con las instrucciones.

56. El punto de fijación del cable debe estar protegido.

57. ADVERTENCIA: No use los quemadores de horno y la parrilla al mismo tiempo.

58. No cocine la comida directamente en la bandeja/rejilla. Por favor, ponga la comida en las herramientas adecuadas antes de ponerlas en el horno.

59. Superficie caliente, deje enfriar antes de cerrar la tapa.

Seguridad con gas

1. Este aparato no está conectado a aparatos de evacuación de productos en combustión. Este aparato debe estar conectado e instalado de acuerdo con las normas de instalación vigentes. Se deben considerar las condiciones con respecto a la ventilación.

2. Cuando se usa un aparato de cocina a gas: humedad, calor y productos quemados se pueden generar en la habitación. En primer lugar, asegúrese de que la horno esté bien ventilada cuando utilice el electrodoméstico y mantenga aberturas de ventilación naturales o instale un equipo de ventilación mecánica.

3. Después de usar el artefacto durante un período prolongado, es posible que se requiera ventilación adicional. Por ejemplo, abra una ventana o ajuste una velocidad más alta para la ventilación mecánica, si la hay.

4. Este electrodoméstico debe usarse solo en lugares bien ventilados de acuerdo con la normativa vigente. Lea el manual antes de instalar o usar este producto.

5. Antes de colocar el dispositivo, asegúrese de que las condiciones de la red local (tipo de gas y presión de gas) cumplan con los requisitos del dispositivo.

6. El mecanismo no se puede ejecutar por más de 15 segundos. Si el quemador no está encendido después de 15 segundos, detenga el mecanismo y espere al menos un minuto antes de tratar de encender el quemador de nuevo.

7. Todo tipo de operaciones a realizar en la instalación de gas debe ser realizado por personas autorizadas y competentes.

8. Este aparato está ajustado para gas natural (GN) o gas butano. Si tiene que usar su producto con un tipo de gas diferente, debe solicitar el servicio autorizado para la conversión.

9. Para una operación adecuada, la campana, el tubo de gas y la abrazadera deben reemplazarse periódicamente de acuerdo con las recomendaciones del fabricante y cuando sea necesario.

10. El gas debería arder bien en los productos a base de gas. El gas de combustión bien puede entenderse a partir de la llama azul y la combustión continua. Si el gas no se quema lo suficiente, se puede generar monóxido de carbono (CO). El monóxido de carbono es un gas incoloro, inodoro y muy tóxico, incluso pequeñas cantidades tienen un efecto letal.

11. Pregunte a su suministro de gas local sobre los números de teléfono para emergencias relacionadas con el gas y las medidas que se tomarán cuando se detecte el olor a gas.

Qué hacer cuando se detecta olor a gas

1. No use llamas abiertas y no fume.
2. No opere ningún interruptor eléctrico. (Por ejemplo; interruptor de la lámpara o timbre de la puerta)
3. No use el teléfono ni el teléfono móvil.
4. Abra las puertas y ventanas.
5. Cierre todas las válvulas de los aparatos que utilizan gas y los contadores de gas.
6. Llame a los bomberos desde un teléfono fuera del hogar.
7. Verifique todas las mangueras y sus conexiones en busca de fugas. Si aún huele a gas, salga de la casa y advierta a sus vecinos.
8. No ingrese a la casa hasta que las autoridades aclaren que es seguro.

Uso previsto

- 1.** Este aparato está diseñado para uso en el hogar. El uso comercial del aparato no está permitido.
- 2.** Este aparato solo se puede usar para cocinar. No debe usarse para otros fines, como calentar una habitación.
- 3.** Este aparato no debe usarse para calentar placas debajo de la parrilla, para secar la ropa o las toallas colgándolas en el asa o con fines de calefacción.
- 4.** El fabricante no asume ninguna responsabilidad por los daños debidos al mal uso o mal manejo.
- 5.** La parte del horno de la unidad se puede usar para descongelar, asar, freír y asar alimentos.
- 6.** La vida operativa del producto que ha comprado es de 10 años. Este es el período durante el cual el fabricante proporciona los recambios necesarios para el funcionamiento de este producto según lo definido.

Conexión De Gas

ADVERTENCIA: Antes de comenzar cualquier trabajo relacionado con la instalación de gas, cierre el suministro de gas. Riesgo de explosión.

Por favor, use su horno en un ambiente seco.

1. Coloque la abrazadera en la manguera. Empuje una de las mangueras hasta que llegue al final de la tubería.

2. Para el control de sellado; asegúrese de que los botones en el panel de mandos estén cerrados, pero el cilindro de gas está abierto. Aplique agua jabonosa a la conexión. Si hay una fuga de gas, se generará espuma en el área jabonosa.

3. El horno debe estar usando un lugar bien ventilado y debe instalarse en un piso plano.

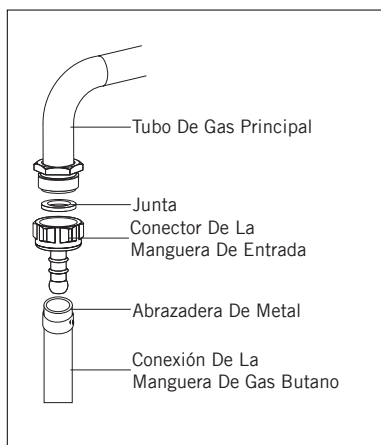
4. Vuelva a inspeccionar la conexión de gas.

5. Cuando coloque el horno en su ubicación, asegúrese de que esté en el nivel del mostrador. Llévelo al nivel del mostrador ajustando las patas si es necesario.

6. No permita que la manguera de gas y el cable eléctrico de su horno pasen por las áreas calentadas, especialmente a través del lado posterior del horno. No mueva el horno conectado a gas. Dado que el forzamiento debe aflojar la manguera, puede producirse una fuga de gas.

7. Utilice una manguera flexible para la conexión de gas.

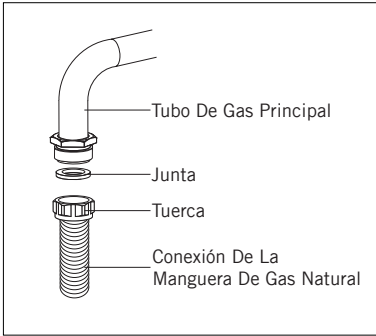
Conexión Gas Butano;



Para la conexión de gas butano (cilindro), coloque la abrazadera de metal en la manguera que sale del cilindro de gas butano. Fije un borde de la manguera en el conector de entrada de la manguera detrás del aparato empujando en el extremo a través del calentamiento de la manguera en agua hervida. Después, ponga la abrazadera hacia la parte final de la manguera y apriete con un destornillador. El conector de entrada de la junta y la manguera necesarios para la conexión son como se muestra en la imagen a continuación.

NOTA: El regulador colocado en el cilindro de gas butano debe tener la característica 300 mmSS.

Conexión gas natural;



ADVERTENCIA: La conexión de gas natural solo se debe hacer a través del servicio autorizado.

Para la conexión de gas natural, coloque la junta en la tuerca en el extremo de la manguera de conexión de gas natural. Para instalar la manguera en la tubería principal de gas, gire la tuerca. Complete la conexión al hacer la revisión de fugas de gas.

Lugar de paso de la manguera de gas

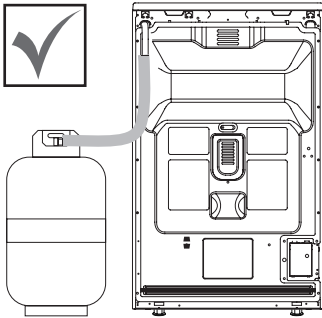


Figura 1

Conecte al aparato al grifo de la tubería usando la ruta más corta posible y de manera que se asegure de que no habrá ninguna fuga de gas. Para llevar a cabo una comprobación de seguridad de tensión y sellado, asegúrese de que el mando del panel de control estén cerradas y de que la bombona de gas esté abierta.

ADVERTENCIA: Mientras realice una comprobación de fugas de gas, nunca utilice ningún tipo de mechero, cerilla, cigarrillo o una sustancia irritante.

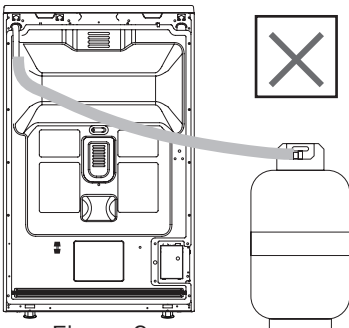


Figura 2

Aplique jabón de burbujas en los puntos de conexión. Si hay cualquier tipo de fuga, esto causará burbujas.

Cuando coloque el aparato en su sitio, asegúrese de que esté al mismo nivel que la encimera. Si es necesario, ajustes las patas para que queden aniveladas con la encimera. Utilice el aparato en una superficie llana y en un ambiente bien ventilado.

ADVERTENCIA: Antes de colocar el aparato, verifique que las condiciones de distribución local (tipo y presión de gas) se ajusten a la configuración del producto.

Operación de cambio de boquilla

1. Utilice una herramienta con un cabezal especial para quitar e instalar la boquilla como se ve en (figura 3)

2. Elimine la boquilla (figura 4) del quemador con una herramienta especial e instale una nueva boquilla (figura 5)

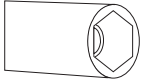


Figura 3

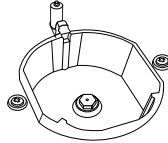


Figura 4

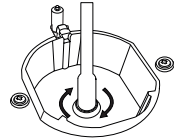


Figura 5

Ventilación de la habitación

El aire necesario para la combustión se recibe del aire de la habitación y los gases emitidos se dan directamente en la habitación. Para un funcionamiento seguro de su producto, una buena ventilación de la sala es una condición previa. Si no hay ninguna ventana o espacio para ser utilizados para la ventilación de la habitación, se debe instalar una ventilación adicional. Sin embargo, si la habitación tiene una puerta hacia el exterior, no es necesario realizar los orificios de ventilación.

Tamaño de la habitación	Apertura de ventilación
Menor de 5 m ³	mín. 100 cm ²
Entre 5 m ³ - 10 m ³	mín. 100 cm ²
Mayor de 10 m ³	no necesario
En sótano o bodega	mín 65 cm ²

Disminución del ajuste del caudal de gas para los grifos de la encimera

1. Encienda el quemador que se va a ajustar y gire el mando a la posición reducida.

2. Retire el mando del grifo de gas.

3. Use un destornillador de tamaño adecuado para ajustar el tornillo de ajuste de la tasa de flujo. Para gas butano (panel de butano-pro) gire el tornillo en el sentido de las agujas del reloj. Para el gas natural, debe girar el tornillo hacia la izquierda una vez.

La longitud normal de una llama recta en la posición reducida debe ser de 6-7 mm.

4. Si la llama es más alta que la posición deseada, gire el tornillo en el sentido de las agujas del reloj. Si es más pequeña, gírela en sentido antihorario.

5. Para el último control, lleve el quemador tanto a llama alta como a posiciones reducidas y compruebe si la llama está encendida o apagada.

Según el tipo de grifo de gas utilizado en su electrodoméstico, la posición del tornillo de ajuste puede variar.

Para ajustar su horno según para el tipo de gas, realice el ajuste para la llama reducida cuidadosamente girando con un destornillador pequeño como se muestra a continuación en el tornillo en el medio de las llaves de paso de gas, así como los cambios de la boquilla. (figura 6 y 7)

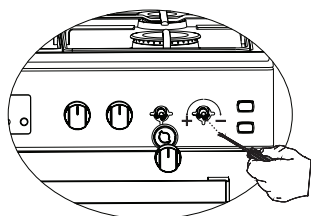


Figura 6

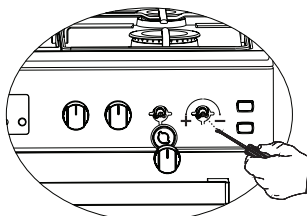


Figura 7

Extracción de los quemadores inferior y superior e instalación del inyector en el horno de gas

Extracción del quemador superior:

Con la ayuda de un destornillador, quite el tornillo como se muestra en la figura 8. Como se muestra en la figura 9, retire el quemador de su lugar tirando de él hacia usted. Como se muestra en la figura 10, quite el inyector en el cojinete con una llave de vaso. Para volver a colocar el quemador, aplique el proceso de eliminación de forma inversa.

Figura 8

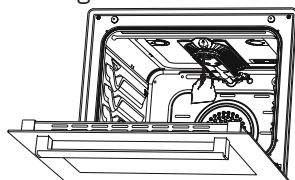


Figura 9

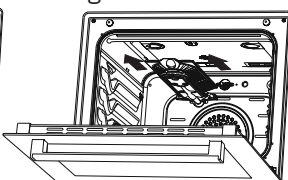
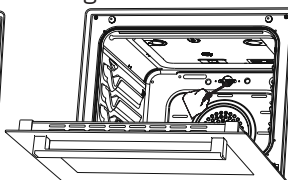


Figura 10



Extracción del quemador inferior:

La puerta inferior del quemador se ha fijado con dos tornillos. Como se muestra en la figura 11, quítelo con la ayuda de un destornillador. Retire la puerta tirando hacia arriba como se muestra en la figura 12. Retire el quemador de su lugar tirando de él hacia usted, como se muestra en la figura 13. Como se muestra en la figura 14, quite el inyector en el cojinete con una llave de vaso. Para reemplazar el quemador, aplique el proceso de eliminación de forma inversa.

Figura 11

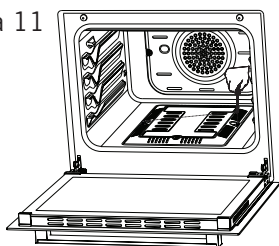


Figura 12

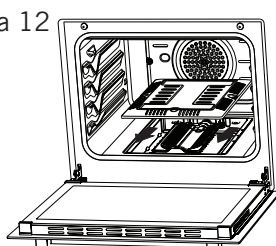


Figura 13

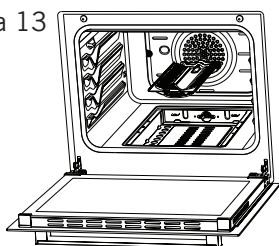
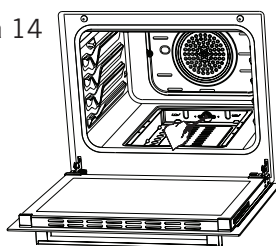
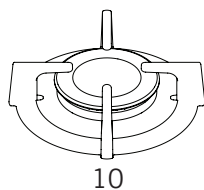


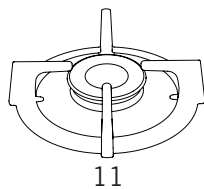
Figura 14



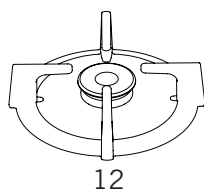
INTRODUCCIÓN AL USO DEL APARATO



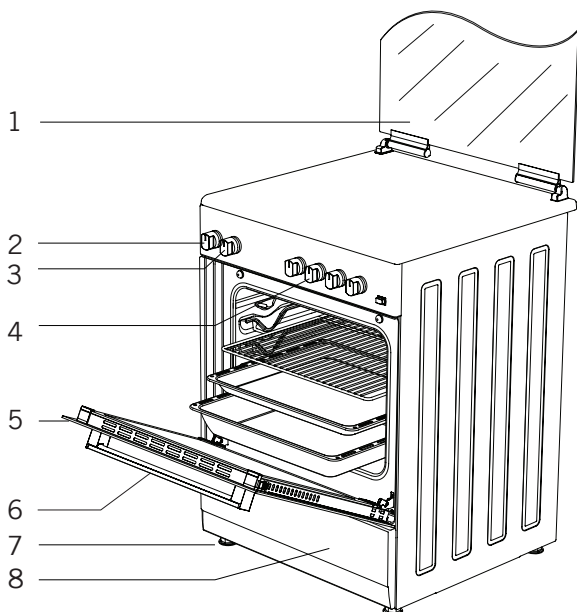
10



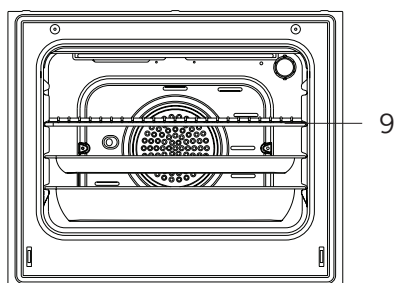
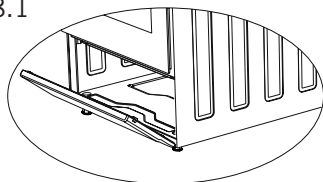
11



12

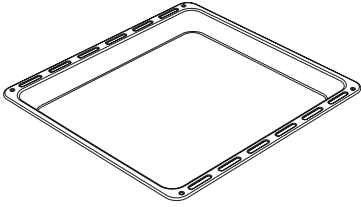


8.1



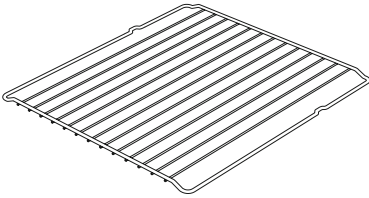
- | | |
|---|------------------------------------|
| 1. Puerta de cristal
(Puerta de hoja de metal) | 7. Pata de plástico |
| 2. Configuración del termostato | 8. Puerta inferior del
gabinete |
| 3. Configuración del horno | 8.1 Puerta abatible * |
| 4. Interruptores de control de
la sección de la estufa | 9. Parrilla |
| 5. Puerta | 10. Quemador grande |
| 6. Asa | 11. Quemador intermedio |
| | 12. Quemador auxiliar |

Accesorios



Bandeja

Se utiliza para pastelería (galleta e.t.c) y alimentos congelados.



Parrilla de alambre

Se utiliza para poner en estantería deseada las comidas congeladas, las comidas para freír o las comidas al horno.

Características Técnicas De Su Horno

Propiedades	50x55	60x60
Ancho exterior	500 mm	600 mm
Profundidad externa	565 mm	630 mm
Altura exterior	855 mm	855 mm

ADVERTENCIA: Para que el servicio autorizado realice la modificación, se debe tomar en consideración esta tabla. El fabricante no se hace responsable de cualquier problema que surja debido a cualquier modificación defectuosa.

ADVERTENCIA: Para aumentar la calidad del producto, las especificaciones técnicas pueden modificarse sin previo aviso.

ADVERTENCIA: Los valores indicados en el aparato o en la documentación que lo acompaña, son lecturas de laboratorio de acuerdo con la correspondiente normativa. Estos valores pueden variar según el uso y las condiciones ambientales.

Quemador características técnicas	G20,20 mbar G25,25 mbar			G20,25 mbar		G20,13 mbar	
	Gás natural			Gás natural		Gás natural	
Quemador Rápido	Inyector	1,15	mm	1,10	mm	1,45	mm
	Flujo de gas	0,276	m ³ /h	0,276	m ³ /h	0,276	m ³ /h
	Potencia	2,90	kW	2,90	kW	2,90	kW
Quemador Semi-Rápido	Inyector	0,97	mm	0,92	mm	1,10	mm
	Flujo de gas	0,162	m ³ /h	0,162	m ³ /h	0,162	m ³ /h
	Potencia	1,70	kW	1,70	kW	1,70	kW
Quemador Pequeño	Inyector	0,72	mm	0,70	mm	0,85	mm
	Flujo de gas	0,96	m ³ /h	0,96	m ³ /h	0,96	m ³ /h
	Potencia	0,95	kW	0,95	kW	0,95	kW
Quemador Parrilla	Inyector	1,00	mm	0,92	mm	1,35	mm
	Flujo de gas	0,196	m ³ /h	0,196	m ³ /h	0,196	m ³ /h
	Potencia	2,00	kW	2,00	kW	2,00	kW
Quemador Horno	Inyector	1,10	mm	1,00	mm	1,50	mm
	Flujo de gas	0,235	m ³ /h	0,235	m ³ /h	0,235	m ³ /h
	Potencia	2,50	kW	2,50	kW	2,50	kW

Quemador características técnicas	G30,28-30 mbar G31,37 mbar			G30,50 mbar		G30,37 mbar	
	Gas butano			Gas butano		Gas butano	
Quemador Rápido	Inyector	0,85	mm	0,75	mm	0,85	mm
	Flujo de gas	211	g/h	211	g/h	211	g/h
	Potencia	2,90	kW	2,90	kW	2,90	kW
Quemador Semi-Rápido	Inyector	0,65	mm	0,60	mm	0,65	mm
	Flujo de gas	124	g/h	124	g/h	124	g/h
	Potencia	1,70	kW	1,70	kW	1,70	kW
Quemador Pequeño	Inyector	0,50	mm	0,43	mm	0,50	mm
	Flujo de gas	69	g/h	69	g/h	69	g/h
	Potencia	0,95	kW	0,95	kW	0,95	kW
Quemador Parrilla	Inyector	0,70	mm	0,60	mm	0,65	mm
	Flujo de gas	145	g/h	145	g/h	145	g/h
	Potencia	2,00	kW	2,00	kW	2,00	kW
Quemador Horno	Inyector	0,75	mm	0,65	mm	0,70	mm
	Flujo de gas	182	g/h	182	g/h	182	g/h
	Potencia	2,50	kW	2,50	kW	2,50	kW

ADVERTENCIA: Los valores de diámetro escritos en el inyector se especifican sin una coma. Por ejemplo: el diámetro de 1,70 mm se especifica como 170 en el inyector.

INSTALACIÓN DEL HORNO

Verifique si la instalación eléctrica es adecuada para poner el aparato en funcionamiento. Si la instalación eléctrica no es adecuada, llame a un electricista y un técnico cualificado para su instalación. El fabricante no se hace responsable de los daños causados por las operaciones realizadas por personas no autorizadas.

ADVERTENCIA: Es responsabilidad del cliente preparar la ubicación donde se colocará el producto y también tener preparada la instalación eléctrica.

ADVERTENCIA: Se deben seguir las reglas en los estándares locales sobre instalaciones eléctricas durante la instalación del producto.

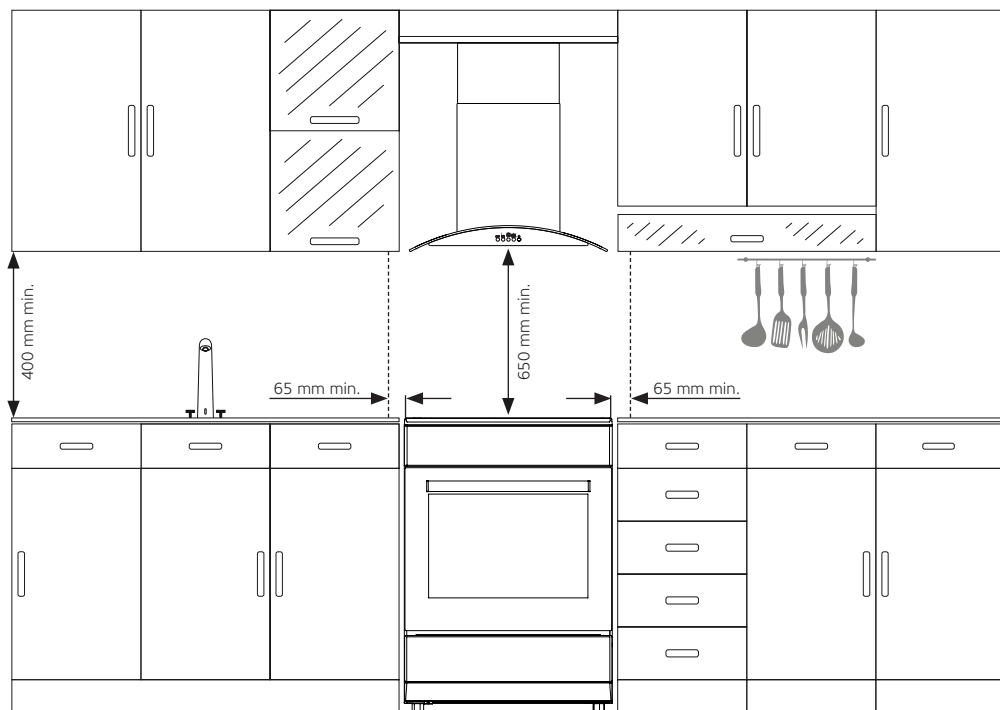
ADVERTENCIA: Verifique que no haya daños en el aparato antes de instalarlo. No instale el aparato si está dañado. Los productos dañados causan un riesgo para su seguridad.

Lugar correcto para la instalación y advertencias importantes

Las patas del aparato no deben permanecer sobre superficies blandas, como las alfombras. El piso de la cocina debe ser durable para transportar el peso de la unidad y cualquier otro utensilio de cocina que pueda usarse en el horno.

El aparato debe utilizarse con un espacio libre de al menos 400 mm sobre las superficies de la encimera superior, y 65 mm de las superficies laterales dentro de los muebles de la cocina.

El aparato es adecuado para usarse en ambas paredes laterales, sin ningún tipo de soporte, o sin instalarlo en un armario. Si se instalará una campana o extractor encima de la horno, siga las instrucciones del fabricante para la altura de montaje. (mín. 650 mm)

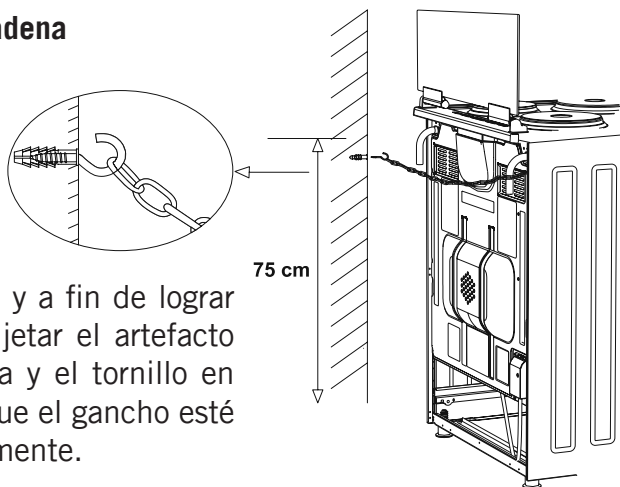


ADVERTENCIA: Los muebles de cocina cerca del electrodoméstico deben ser resistentes al calor.

ADVERTENCIA: No instale el aparato al lado de refrigeradores o refrigeradores. El calor irradiado por el aparato aumenta el consumo de energía de los dispositivos de refrigeración.

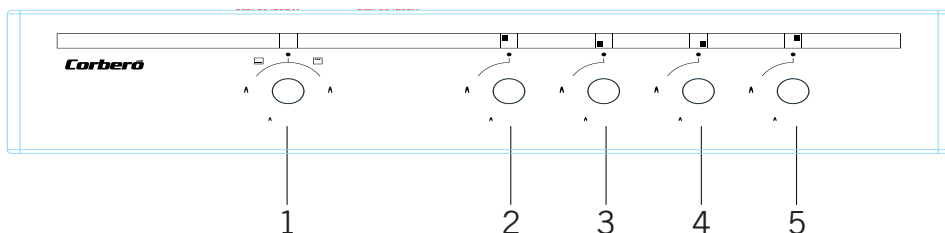
ADVERTENCIA: No use la puerta y/o el asa para transportar o mover el aparato.

Ilustración De Amarre De Cadena



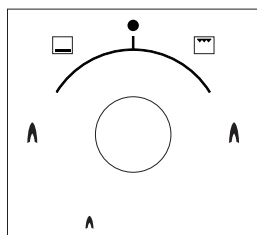
Antes de usar el artefacto, y a fin de lograr un uso seguro, no olvide sujetar el artefacto al muro utilizando la cadena y el tornillo en gancho provisto. Verifique que el gancho esté atornillado en el muro firmemente.

PANEL DE MANDOS



- | | |
|------------------------------------|-------------------------------|
| 1. Botón de selección de funciones | 4. Quemador delantero derecho |
| 2. Quemador trasero derecho | 5. Quemador trasero izquierdo |
| 3. Quemador delantero izquierdo | |

Botón De Control Del Horno



Con él se controlan los quemadores a gas del horno (para el quemador termostático y el quemador superior). También puede utilizar la llave de encendido debajo de los mandos para encender los quemadores.

USO DEL HORNO

Uso De Los Quemadores Del Horno

1. Si su horno está equipado con quemadores que funcionan con gas, se debe usar un encendedor apropiado para encender los quemadores. Algunos modelos tienen ignición automática del mando; es fácil encender el quemador girando la mando. Además, los quemadores pueden encenderse presionando el botón de encendido o pueden encenderse con una cerilla.

2. No opere continuamente el encendedor por más de 15 segundos. Si el quemador no se enciende, espere un minuto como mínimo antes de volver a intentarlo. Si el quemador se apaga por alguna razón, cierre la válvula de control de gas y espere un mínimo de un minuto antes de volver a intentarlo.

Uso De Elementos De Calentamiento Del Horno

1. Cuando el horno se usa por primera vez, se extenderá un olor que se obtendrá del uso de los elementos de calentamiento. Para deshacerse de esto, opere a 240 °C durante 45-60 minutos mientras está vacío.

2. La el mando de control del horno debe colocarse al valor deseado, de lo contrario, el horno no funcionará.

3. El tipo de comidas, los tiempos de cocción y las posiciones del termostato se dan en la mesa de cocción. Los valores que figuran en la tabla de cocción son valores característicos y se obtuvieron como resultado de las pruebas realizadas en nuestro laboratorio. Puede encontrar diferentes sabores adecuados para su gusto dependiendo de sus hábitos de cocina y uso.

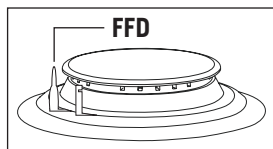
4. Puede cocinar pollo en su horno por medio de los accesorios.

5. Tiempos de cocción: Los resultados pueden cambiar de acuerdo con el voltaje de área y el material que tiene diferente calidad, cantidad y temperaturas.

6. Durante el tiempo en que se cocina en el horno, la tapa del horno no debe abrirse con frecuencia. De lo contrario, la circulación del calor puede desequilibrarse y los resultados pueden cambiar.

Uso De La Sección Del Horno

Uso de quemadores de gas



El dispositivo de seguridad de corte de llama (FFD, por sus siglas en inglés): opera instantáneamente cuando el mecanismo de seguridad se activa debido al exceso de líquido sobre las placas superiores.

1. Las válvulas que controlan las hornos de gas tienen un mecanismo de seguridad especial. Para encender la hornilla siempre presione el interruptor hacia adelante y llévelo al símbolo de la llama girándola hacia la izquierda. Todos los encendedores deben operar pero solo la hornilla que usted controla debe encenderse. Mantenga presionado el interruptor hasta que realice la ignición. Presione el botón del encendedor y gire la mando en sentido antihorario.

2. No opere continuamente el encendedor por más de 15 segundos. Si el quemador no se enciende, espere un minuto como mínimo antes de volver a intentarlo. Si el quemador se apaga por algún motivo, cierre la válvula de control de gas y espere un minuto como mínimo antes de volver a intentarlo.

3. En modelos con sistema de seguridad de gas, cuando la llama de la cocina se apaga, la válvula de control corta el gas automáticamente. Para operar los quemadores con sistema de seguridad de gas, debe presionar la el mando y girar en sentido antihorario. Después del encendido, debe esperar casi 5-10 segundos para la activación de los sistemas de seguridad del gas. Si el quemador se apaga por alguna razón, cierre la válvula de control de gas y espere un mínimo de un minuto antes de volver a intentarlo.

4. ● Cerrado 🔥 Completamente abierto 🔥 Abierto a la mitad

5. Antes de operar su cocina, asegúrese de que las tapas de los quemadores estén bien posicionadas. Abajo se muestra la colocación correcta de las tapas de los quemadores.

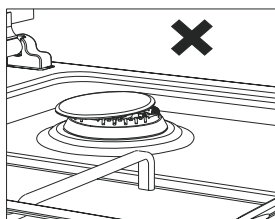


Figura 15

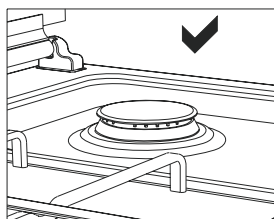


Figura 16

Tamaños De Los Cazos

	50*55	60*60
Quegador pequeño	12-18 cm	12-18 cm
Quegador mediano	18-20 cm	18-20 cm
Quegador grande	22-24 cm	22-26 cm



Incorrecto



Incorrecto



Incorrecto



Correcto

TABLA DE HORNEADO Y ASADO

ADVERTENCIA: Deberá precalentar el horno durante 10 minutos antes de colocar alimentos en él.

Alimentos	Función de Cocción	Temperatura Cocción (°C)	Parrilla Cocción	Tiempo de Cocción (mín.)
Pastel	Estático / Estático+Ventilador	170-180	2	35-45
Pequeñas tortas	Estático / Turbo+Ventilador	170-180	2	25-30
Empanada	Estático / Estático+Ventilador	180-200	2	35-45
Pasteles	Estático	180-190	2	25-30
Galletas	Estático	170-180	3	20-25
Pie de manzana	Estático / Turbo+Ventilador	180-190	2	50-70
Bizcocho esponjoso	Estático	200/150 *	2	20-25
Pizza	Estático+Ventilador	180-200	3	20-30
Lasaña	Estático	180-200	2	25-40
Merengue	Estático	100	2	60
Pollo	Estático+Ventilador / Turbo+Ventilador	180-190	2	45-50
Pollo a la parrilla **	Parrilla	200-220	4	25-30
Pescado asado **	Parrilla+Ventilador	200-220	4	25-30
Solomillo **	Parrilla+Ventilador	Max.	4	15-20
Albóndiga **	Parrilla	Max.	4	20-25

* Sin precalentamiento. La mitad de la cocción debe ser de 200 °C y luego la segunda mitad debe ser 150 °C.

** Durante la mitad de la cocción, la comida debe ser volteada.

MANTENIMIENTO Y LIMPIEZA

1. Desconecte el enchufe del horno de la corriente eléctrica.
2. Mientras se está haciendo funcionar el horno o poco después de que comience a funcionar, alcanzará altísimas temperaturas. Debe evitar tocarlo en las partes que se calientan.
3. No limpie nunca la parte interior, el panel, la tapa, las bandejas y todas las otras partes del horno con herramientas como cepillos duros, esponjas metálicas o cuchillos. No utilice productos ni detergentes que sean abrasivos o corrosivos.
4. Tras la limpieza de las partes interiores del horno con un paño jabonoso, enjuáguelo y luego séquelo bien con un paño suave.
5. Limpie las superficies de vidrio con productos limpiadores específicos para vidrio.
6. No limpie el horno con limpiadores a vapor.
7. Antes de abrir la tapa superior del horno, limpie el líquido derramado de la tapa. También, antes de cerrar la tapa, asegúrese de que la encimera de la cocina se haya enfriado lo suficiente.
8. No utilice nunca productos inflamables como ácido, disolvente y gasolina para la limpieza del horno.
9. No lave ninguna de las partes del horno en el lavavajillas.
10. Para limpiar la tapa frontal del horno, quite los tornillos fijadores que sostienen la manija por medio de un destornillador y retírelos de la puerta del horno. Luego, límpiela y lávela cuidadosamente. Una vez seca, coloque el vidrio del horno con cuidado en su lugar y vuelva a colocar la manija.

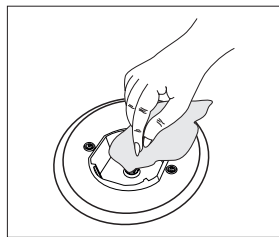


Figura 17

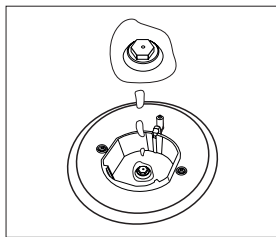


Figura 18

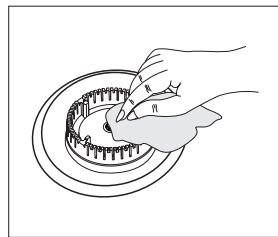


Figura 19

Montaje De Puerta De Horno

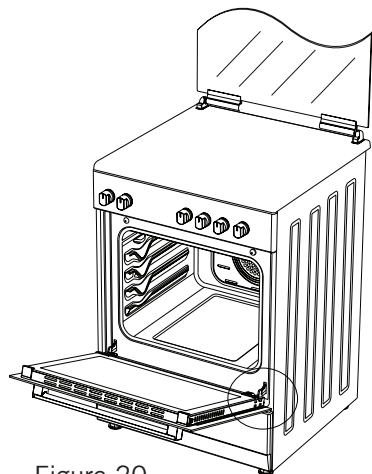


Figura 20

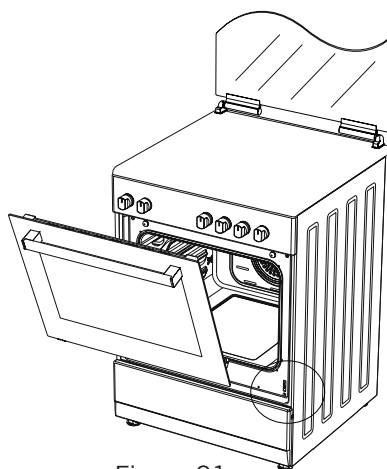


Figura 21

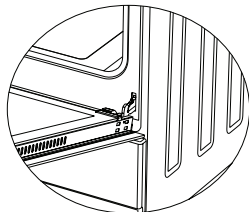


Figura 20.1

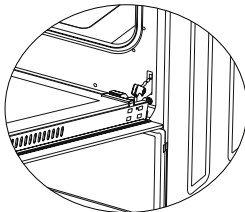


Figura 20.2

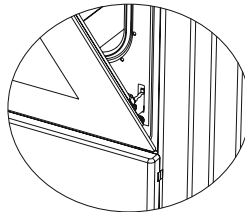


Figura 21.1

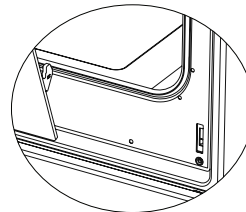


Figura 21.2

Abre la puerta del horno totalmente tirándola hacia usted. Después Como **figura 20.1** realiza la apertura de cerradura tirando hacia arriba la cerradura de la bisagra con ayuda de un destornillador.

Pon la cerradura de la bisagra como **figura 20.2** a posición más ancha. Pon en misma posición las dos bisagras que juntan el horno y la puerta del horno.

Después cierra la puerta del hornocomo **figura 21.1** hasta que llegue a la cerradura de bisagra.

Para quitar la puerta del horno, cuando la puerta está cerca a la posición cerrada esfuérzala hacia arriba como se ve en **figura 21.2**.

Para poner la puerta del horno de nuevo a su lugar, realice el proceso de quitar al revés.

Limpeza Y Mantenimiento Del Vidrio De La Puerta Frontal Del Horno

Retire el perfil presionando los enganches plásticos tanto a la derecha como a la izquierda según se indica en la figura 22 y traccionando el perfil hacia usted como se indica en la figura 23. Luego retire el vidrio interno según se indica en la figura 24. Si es necesario, el vidrio del medio puede retirarse del mismo modo. Una vez realizados la limpieza y el mantenimiento, vuelva a instalar los vidrios y el perfil en el orden inverso. Asegúrese de que el perfil esté correctamente asentado en su lugar.

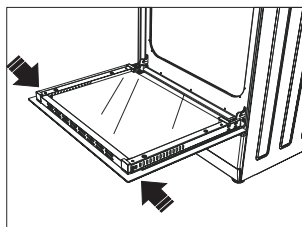


Figura 22

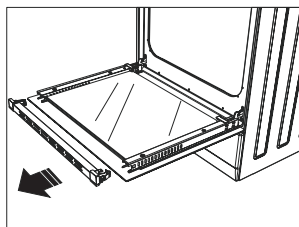


Figura 23

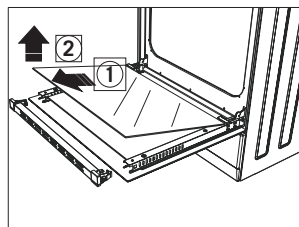


Figura 24

Uso De La Hoja Deflectora De La Parrilla *

1. Un panel de seguridad está diseñado para proteger el panel de mandos y los botones cuando el horno está en modo de cocinar a la parrilla. (figura 25)

2. Utilice este panel de seguridad para evitar que el calor dañe el panel de mandos y los botones cuando el horno esté en modo de cocinar a la parrilla.

ADVERTENCIA: Las partes accesibles pueden estar calientes cuando la parrilla está en uso. Mantenga a los niños lejos del horno.

3. Coloque el panel de seguridad debajo del panel de mandos abriendo la tapa frontal del horno de cristal. (figura 26)

4. Y luego asegure el panel de seguridad entre el horno y la cubierta frontal cerrando suavemente la cubierta. (figura 27)

5. Es importante cocinar para mantener la tapa abierta a una distancia específica cuando se cocina en modo de cocinar a la parrilla.

6. El panel de seguridad brindará una circunstancia de cocción ideal mientras protege el panel de mandos y los botones.

ADVERTENCIA: Si la olla tiene la opción de "parrilla cerrada funcionando" con termostato, puede mantener la puerta del horno cerrada durante el funcionamiento; en este caso, la hoja deflectora de la parrilla será innecesaria.

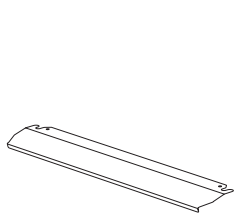


Figura 25

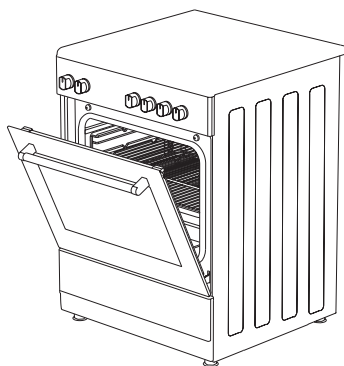


Figura 26

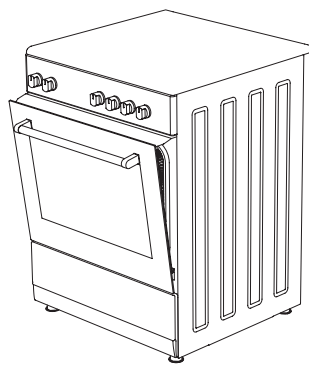


Figura 27

SOLUCIÓN DE PROBLEMAS

Puede resolver los problemas que puede encontrar con su producto al verificar los siguientes puntos antes de llamar al servicio técnico.

Puntos de verificación

En caso de que experimente un problema con el horno, primero revise la tabla a continuación y pruebe las sugerencias.

Problema	Causa posible	Qué hacer
El horno no funciona.	Fuente de alimentación no disponible.	Verifique el suministro de energía.
	Suministro de gas no disponible.	Verifique si la válvula de gas principal está abierta.
		Verifique si la tubería de gas está doblada.
		Asegúrese de que la manguera de gas esté conectada al horno.
Compruebe si se está utilizando una válvula de gas adecuada.		
El horno se detiene durante la cocción.	El enchufe se sale de la toma de corriente.	Vuelva a instalar el enchufe en la toma de corriente.
Se apaga durante la cocción.	Operación continua demasiado larga.	Deje que el horno se enfríe después de largos ciclos de cocción.
	Más de un enchufe en un enchufe de corriente.	Use solo un enchufe para cada enchufe de corriente.
La puerta del horno no se abre correctamente.	Restos de alimentos atascados entre la puerta y la cavidad interna.	Limpia bien el horno y trate de volver a abrir la puerta.
El encendedor no funciona.	Las puntas o el cuerpo de los enchufes de encendido están obstruidos.	Limpie las puntas o el cuerpo de los tapones de encendido de los quemadores de gas.
	Los tubos del quemador de gas están obstruidos.	Limpie los tubos del quemador de gas.
Choque eléctrico al tocar el horno.	Sin una conexión a tierra adecuada.	Asegúrese de que la fuente de alimentación esté conectada a tierra correctamente.
	Se usa una toma de corriente sin conexión a tierra.	

Problema	Causa posible	Qué hacer
Goteo de agua	El agua o el vapor se pueden generar bajo ciertas condiciones dependiendo de la comida que se cocina. Esto no es un error del aparato.	Deje que el horno se enfríe y luego séquelo con un trapo de cocina.
Sale vapor de una grieta en la puerta del horno.		
Hay agua dentro del horno.		
El horno no calienta.	La puerta está abierta.	Cierre la puerta y reinicie.
	Controles del horno no ajustados correctamente.	Lea la sección sobre el funcionamiento del horno y reinicie el horno.
	Fusible disparado o interruptor automático apagado.	Sustituya el fusible o reinicie el interruptor. Si esto se repite con frecuencia, llame a un electricista.
Salida de humo durante el funcionamiento.	Cuando utiliza el horno por primera vez.	El humo sale de los quemador. Esto no es una falta. Después de 2-3 ciclos, no habrá más humo.
	Comida en el quemador.	Deje que el horno se enfríe y limpie los residuos de comida del quemador.
Cuando se usa el horno sale un olor a quemado o plástico.	Se usan accesorios plásticos u otros accesorios no resistentes al calor dentro del horno.	A altas temperaturas, use accesorios adecuados de cristalería.
El horno no cocina bien.	La puerta del horno es abierta frecuentemente durante la cocción.	No abra la puerta del horno con frecuencia, si la comida que está cocinando no requiere ser volteada. Si abre la puerta con frecuencia, la temperatura interna disminuirá y, por lo tanto esto influirá en el resultado de la cocción.
La luz interna es débil o no funciona.	Objeto extraño que cubre la lámpara durante la cocción.	Limpie la superficie interna del horno y revise nuevamente.
	La lámpara podría estar fallando.	Reemplace con una lámpara con las mismas características técnicas.

REGLAS DE MANIPULACIÓN

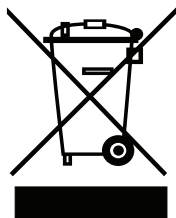
1. No use la puerta y/o el asa para transportar o mover el aparato.
2. Realice el movimiento y el transporte en el embalaje original.
3. Preste la máxima atención al aparato mientras es cargado / descargado y manipulado.
4. Asegúrese de que el embalaje esté bien cerrado durante la manipulación y el transporte.
5. Proteja de factores externos (como humedad, agua, etc.) que puedan dañar el embalaje.
6. Tenga cuidado de no dañar el aparato debido a golpes, colisiones, caídas, etc. mientras lo manipula y transporta, y no lo rompa ni lo deforme durante el funcionamiento.

RECOMENDACIONES PARA EL AHORRO DE ENERGÍA

Los siguientes detalles le ayudarán a usar su producto ecológica y económicamente.

1. Use envases de color oscuro y esmalte que conducen mejor el calor en el horno.
2. Mientras cocina su comida, si la receta o el manual del usuario indican que se requiere precalentar, precaliente el horno.
3. No abra la puerta del horno con frecuencia mientras cocina.
4. Trate de no cocinar múltiples platos simultáneamente en el horno. Puede cocinar al mismo tiempo colocando dos hornillas en el estante de rejilla.
5. Cocine múltiples platos sucesivamente. El horno no perderá calor.
6. Apague el horno unos minutos antes del tiempo de caducidad de la cocción. En este caso, no abra la puerta del horno.
7. Descongele la comida congelada antes de cocinar.

ELIMINACIÓN RESPETUOSA CON EL MEDIO AMBIENTE



Deshágase del embalaje de una manera respetuosa con el medio ambiente.

El aparato está etiquetado según la directiva europea 2012/19/EU sobre aparatos eléctricos y electrónicos usados (residuos de equipo eléctrico y electrónico - WEE por sus siglas en inglés). La directiva establece el marco para la devolución y el reciclaje de aparatos usados como corresponde en toda la UE.

INFORMACIÓN SOBRE EL EMBALAJE

El embalaje del aparato se fabrica con materiales reciclables, de acuerdo con nuestro Reglamento Nacional sobre Medio Ambiente. No elimine los materiales de embalaje junto con los residuos domésticos o de otro tipo. Llévelos a uno de los puntos de reciclaje designado por las autoridades locales.

CERTIFICADO DE GARANTÍA

Imprescindible la presentación de la factura de compra acompañada del presente certificado de garantía.

Riesgos cubiertos.

Este aparato está garantizado contra cualquier defecto de funcionamiento, siempre que se destine a uso doméstico, procediéndose a su reparación dentro del plazo de garantía y sólo por la red de SAT autorizados.

Excepciones de garantía.

- Que la fecha del certificado no coincida con la fecha de venta de la factura original.
- Averías producidas por golpe, por caída o cualquier otra causa de fuerza mayor.
- Si el aparato ha sido manipulado por personal no autorizado.
- Las averías producidas o derivadas como consecuencia de un uso inadecuado, por defectos de instalación, o por introducir modificaciones en el aparato que alteren su funcionamiento.
- Puestas en marcha, mantenimiento, limpiezas, componentes sujetos a desgaste, lámparas, piezas estéticas, oxidaciones, plásticos, gomas, carcasas y cristales.

“ESTAS EXCEPCIONES ANULAN LA GARANTÍA, SIENDO LA REPARACIÓN CON CARGO AL CLIENTE”

Periodo amparado en aparatos según ley de garantías en la venta de bienes de consumo ley 23/2/2003, de 10 de julio.

Servicio Técnico Oficial: 911 08 08 08
