

# AEG

## POWERTOOLS

### BEWS18-115BL, BEWS18-125BL

Original instructions

Originalbetriebsanleitung

Notice originale

Istruzioni originali

Manual original

Manual original

Oorspronkelijke

gebruiksaanwijzing

Original brugsanvisning

Original bruksanvisning

Bruksanvisning i original

Alkuperäiset ohjeet

Πρωτότυπο οδηγιών χρήσης

Orijinal işletme talimatı

Původním návodem k používání

Pôvodný návod na použitie

Instrukcją oryginalną

Eredeti használati utasítás

Izvirna navodila

Originalne pogonske upute

Instrukcijām oriēinālvadā

Originali instrukcija

Algupärane kasutusjuhend

Оригинальное руководство по эксплуатации

Оригинално ръководство за експлоатация

Instrucțiuni de folosire originale

Оригинален прирачник за работа

Оригінал інструкції з експлуатації

التعليمات الأصلية

Technical Data, Safety Instructions, Specified Conditions of Use, EC-Declaration of Conformity, Batteries, Maintenance, Symbols	Please read and save these instructions!	<b>English</b>	<b>19</b>
Technische Daten, Sicherheitshinweise, Bestimmungsgemäße Verwendung, CE-Konformitätserklärung, Akku, Wartung, Symbole	Bitte lesen und aufbewahren!	<b>Deutsch</b>	<b>24</b>
Caractéristiques techniques, Instructions de sécurité, Utilisation conforme aux prescriptions, Déclaration CE de Conformité, Accus, Entretien, Symboles	A lire et à conserver soigneusement	<b>Français</b>	<b>30</b>
Dati tecnici, Norme di sicurezza, Utilizzo conforme, Dichiarazione di Conformità CE, Batterie, Manutenzione, Simboli	Si prega di leggere e conservare le istruzioni!	<b>Italiano</b>	<b>36</b>
Datos técnicos, Instrucciones de seguridad, Aplicación de acuerdo a la finalidad, Declaración de Conformidad CE, Batería, Mantenimiento, Símbolos	Lea y conserve estas instrucciones por favor!	<b>Español</b>	<b>42</b>
Características técnicas, Instruções de segurança, Utilização autorizada, Declaração de Conformidade CE, Acumulador, Manutenção, Símbolo	Por favor leia e conserve em seu poder!	<b>Português</b>	<b>48</b>
Technische gegevens, Veiligheidsadviezen, Voorgeschreven gebruik van het systeem, EC-Konformiteitsverklaring, Akku, Onderhoud, Symbolen	Lees en let goed op deze adviezen!	<b>Nederlands</b>	<b>54</b>
Tekniske data, Sikkerhedshenvisninger, Tiltænk formulær, CE-Konformitetserklæring, Batteri, Vedligeholdelse, Symboler	Vær venlig at læse og opbevare!	<b>Dansk</b>	<b>60</b>
Tekniske data, Spesielle sikkerhetshenvisninger, Formålsmessig bruk, CE-Samsvarserklæring, Batterier, Vedlikehold, Symboler	Vennligst les og oppbevar!	<b>Norsk</b>	<b>65</b>
Tekniska data, Säkerhetsutrustning, Använd maskinen Enligt anvisningarna, CEFörsäkran, Batterier, Skötsel, Symboler	Läs igenom och spara!	<b>Svenska</b>	<b>70</b>
Tekniset arvot, Turvallisuusohjeet, Tarkoituksenmukainen käyttö, Todistus CE-standardinmukaisuudesta, Akku, Huolto, Symbolit	Lue ja säilytä!	<b>Suomi</b>	<b>75</b>
Τεχνικά στοιχεία, Ειδικές υποδείξεις ασφαλείας, Χρήση σύμφωνα με το σκοπό προοριζομένου, Δήλωση πιστότητας ΕΚ, Μπαταρίες, Χαρακτηριστικά, Συντήρηση, Σύμβολα.	Παρακαλώ διαβάστε τις και φυλάξτε τις!	<b>Ελληνικά</b>	<b>80</b>
Teknik veriler, Güvenliğinizi için talimatlar, Kullanım, CE uygunluk beyanince, Akü, Bakım, Semboller	Lütfen okuyun ve saklayın	<b>Türkçe</b>	<b>86</b>
Technická data, Speciální bezpečnostní upozornění, Oblast využití, Ce-prohlášení o shodě, Akumulátor, Údržba, Symboly	Po přečtení uschovejte	<b>Česky</b>	<b>91</b>
Technické údaje, Špeciálne bezpečnostné pokyny, Použitie podľa a predpisov, CE-Vyhľadanie konformity, Sieťová prípojka, Údržba, Symboly	Prosím prečítať a uschovať!	<b>Slovensky</b>	<b>96</b>
Dane techniczne, Specjalne zalecenia dotyczace bezpieczenstwa, Uzytkowanie zgodnie z przeznaczeniem, Swiadectwo zgodnosci ce, Podlaczenie do sieci, Gwarancja, Symbole	Należy uważnie przeczytać i zachować do wglądu!	<b>Polski</b>	<b>102</b>
Műszaki adatok, Különleges biztonsági tudnivalók, Rendeltetésszerű használat, Ce-azonossági nyilatkozat, Hálózati csatlakoztatás, Karbantartás, Szimbólumok	Olvassa el és őrizze meg	<b>Magyar</b>	<b>108</b>
Tehnični podatki, Specialni varnostni napotki, Uporaba v skladu z namembnostjo, Ce-izjava o konformnosti, Omežni priključek, Vzdrževanje, Simboli	Prosimo preberite in shranite!	<b>Slovensko</b>	<b>114</b>
Tehnički podaci, Specijalne sigurnosne upute, Propisna upotreba, Ce-izjava konformnosti, Priključak na mrežu, Održavanje, Simboli	Molimo pročitati i sačuvati	<b>Hrvatski</b>	<b>119</b>
Tehniskie dati, Speciālie drošības noteikumi, Noteikumiem atbilstošs izmantojums, Atbilstība CE normām, Tikla pieslēgums, Apkope, Simboli	Pielikums lietošanas pamācībai	<b>Latviski</b>	<b>124</b>
Techniniai duomenys, Ypatingos saugumo nuorodos, Naudojimas pagal paskirti, CE Atitikties pareiškimas, Elektros tinklo jungtis, Techninis aptarnavimas, Simboliai	Prašome perskaityti ir neišmesti!	<b>Lietuviškai</b>	<b>129</b>
Tehnilised andmed, Spetsiaalsed turvajuhised, Kasutamine vastavalt otstarbele, EÜ Vastavusavaldus, Võrk ühendamine, Hooldus, Sümbolid	Palun lugege läbi ja hoidke alal!	<b>Eesti</b>	<b>134</b>
Технические данные, Рекомендации по технике безопасности, Использо- вание, Подключение к электросети, Обслуживание, Символы	Пожалуйста прочтите и сохраните эту инструкцию.	<b>Русский</b>	<b>139</b>
Технически данни, Специални указания за безопасност, Използване по предназначение, CE-Декларация за съответствие, Свързване към мрежата, Поддръжка, Символи	Моля прочетете и запазете!	<b>Български</b>	<b>145</b>
Date tehnice, Instrucțiuni de securitate, Condiții de utilizare specifice, Declarație de conformitate, Acumulatori, Întreținere, Simboluri	Va rugăm citiți și păstrați aceste instrucțiuni	<b>Română</b>	<b>151</b>
Технички Податоци, Упатство За Употреба, Специфицирани Услови На Употреба, Еу-декларација За Сообразност, БАТЕРИИ, Одржување, Символи	Ве молиме прочитајте го и чувајте го ова упатство!	<b>Македонски</b>	<b>157</b>
Технічні характеристики, Вказівки З Техніки Безпеки, Використання за призначенням, Сертифікат Відповідності Вимогам Єс, Акумуляторна, Обслуговування, Символи	Прочитайте та зберіть цю інструкцію.	<b>Українська</b>	<b>163</b>
تعليمات السلامة، شروط الاستخدام المحددة، البطاريات، إعلان المطابقة - الاتحاد الأوروبي، الصيانة، الرموز	يرجى قراءة وحفظ هذه التعليمات!	<b>العربية</b>	<b>173</b>





3



4

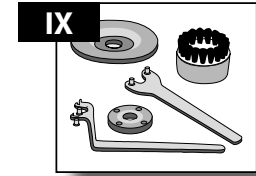
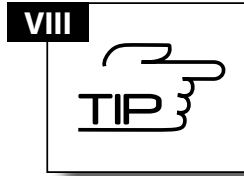
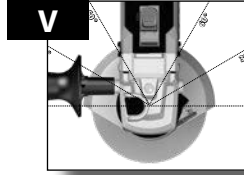
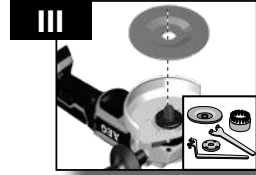
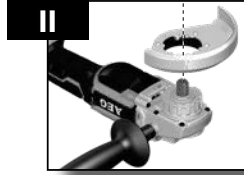


5



18



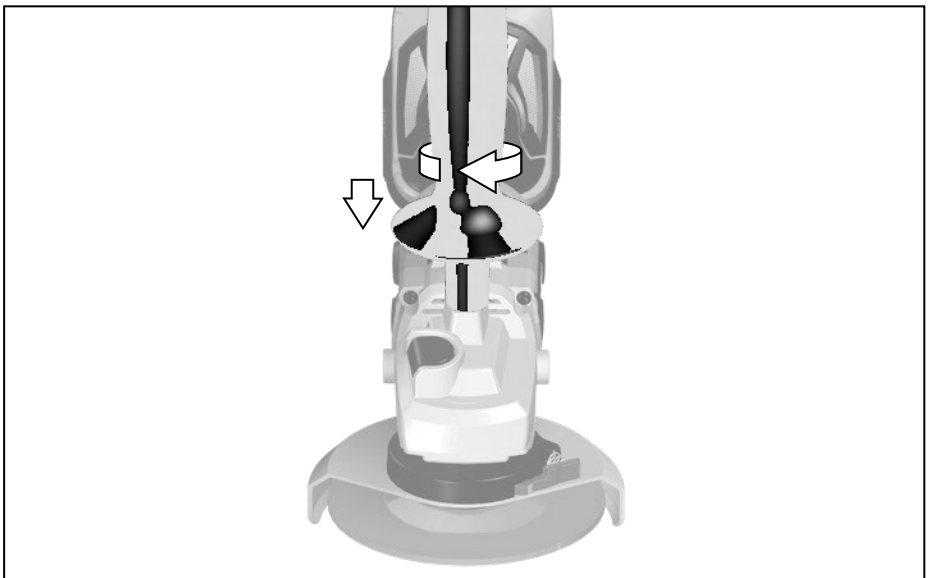
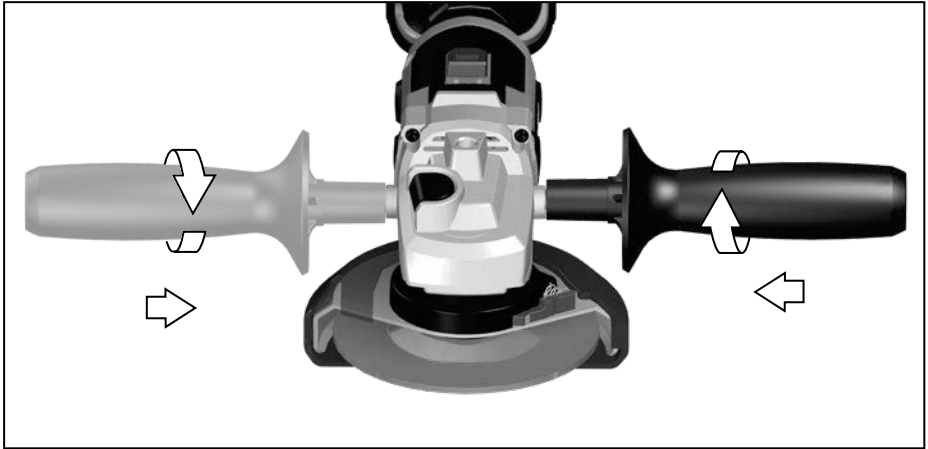


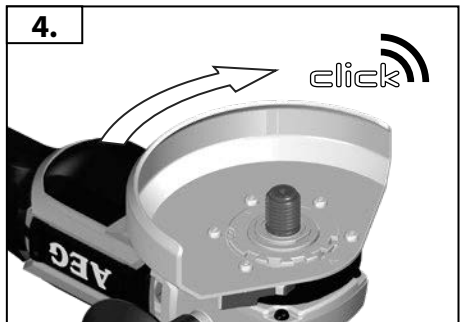
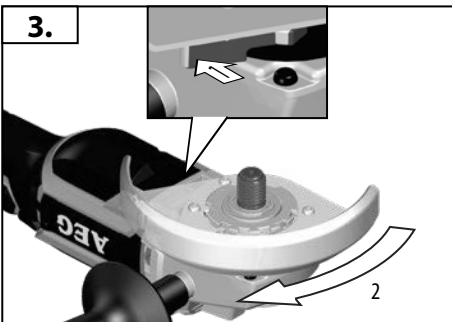
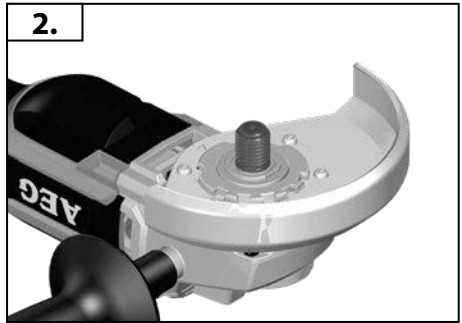
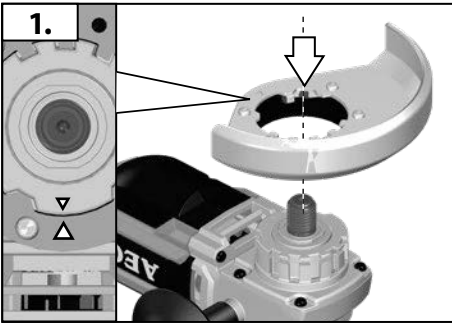
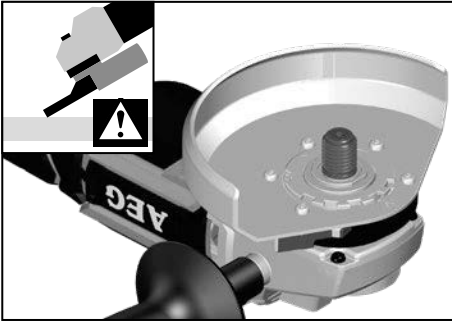
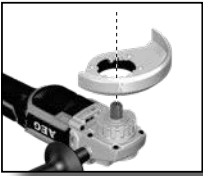
**IX**

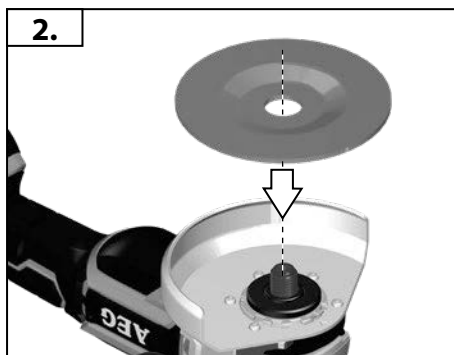
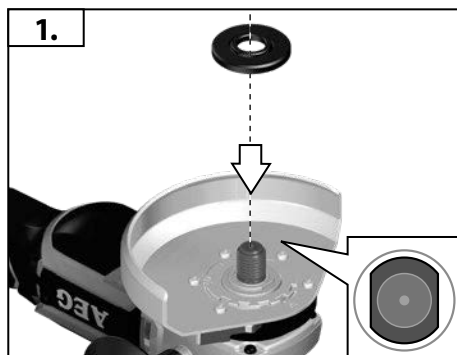
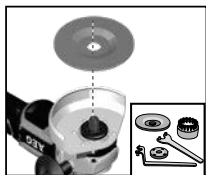
Accessory  
Zubehör  
Accessoires  
Accessorio

Accessorio • Acessório  
Toebehoren • Tilbehør  
Tilbehør • Tillbehør  
Lisälaite • Εξαρτήματα  
Akseuar • Прилушенств  
Prislušenstv • Wyposażenie  
Azokat a tartozékokat  
Oprema • Piederumi  
Priedas • Tarvikud  
Дополнитель • Аксессуары  
Accessorii • ополнительна  
опрема • Комплектуочи  
الملحقات

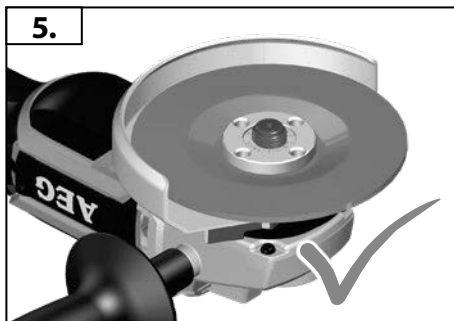
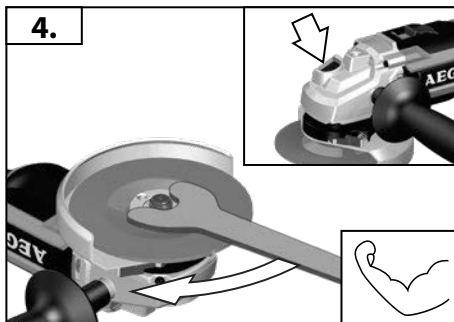
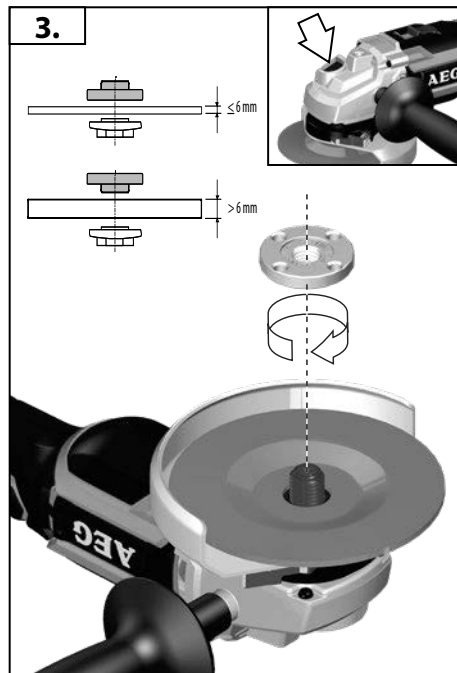


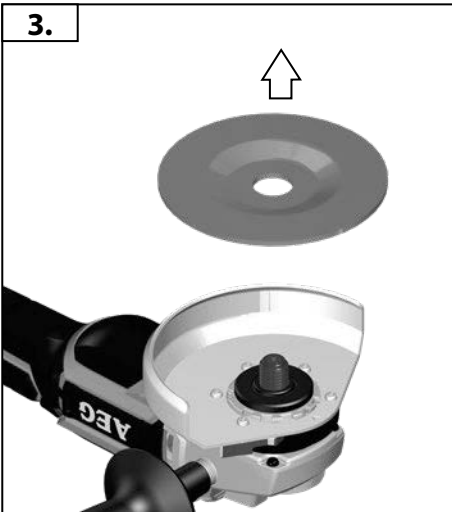
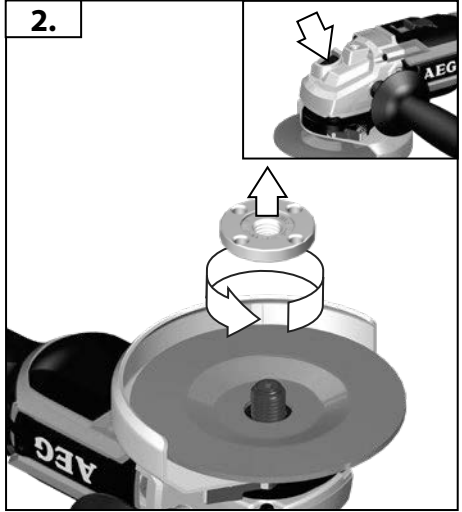
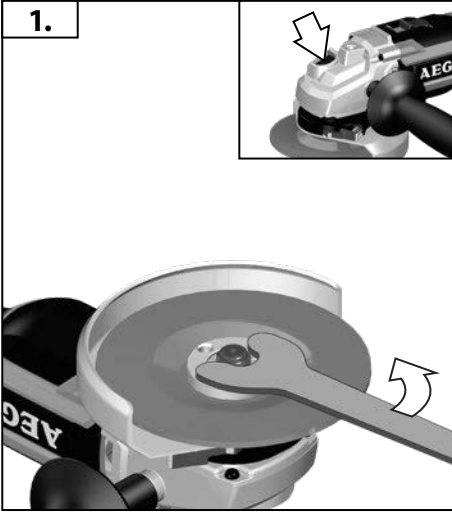
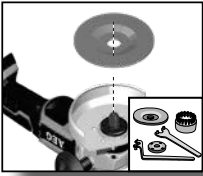




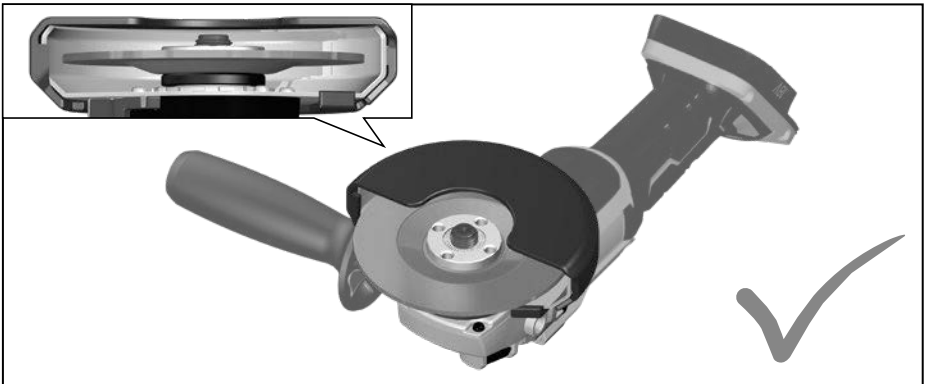
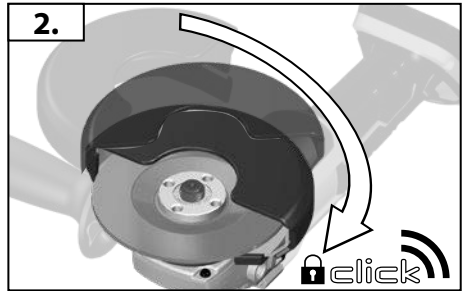
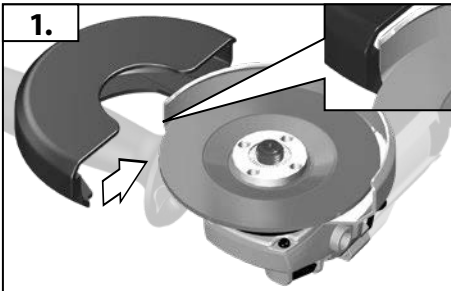
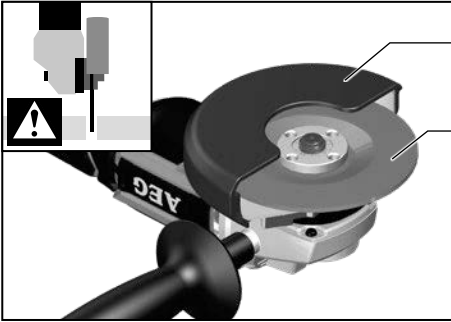
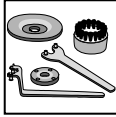
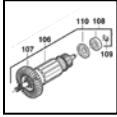


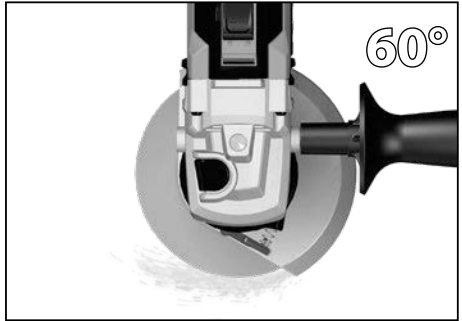
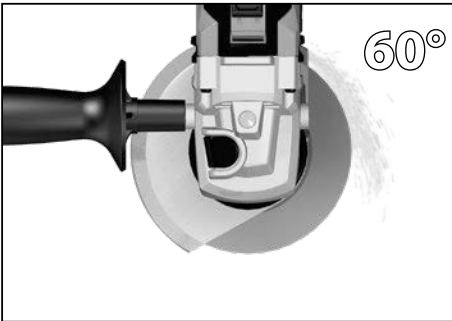
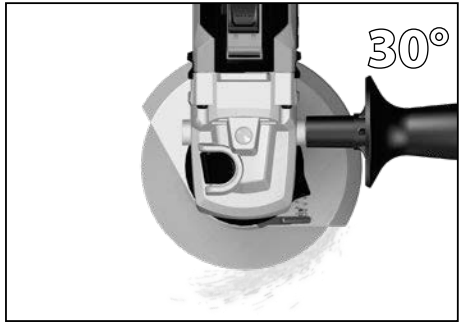
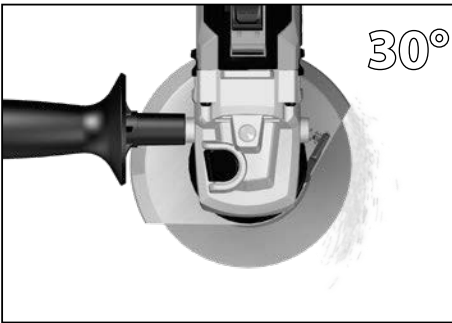
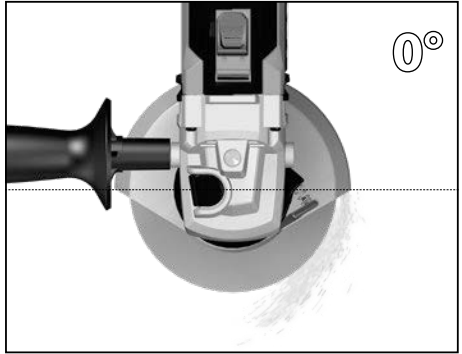
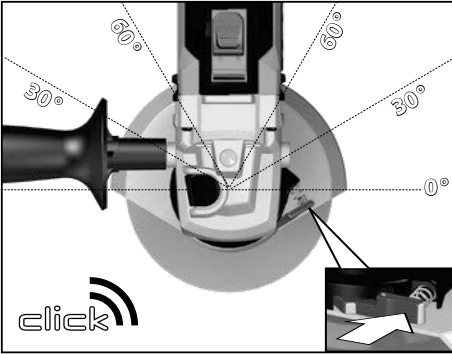
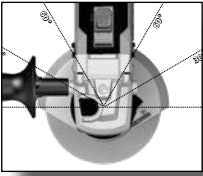
III

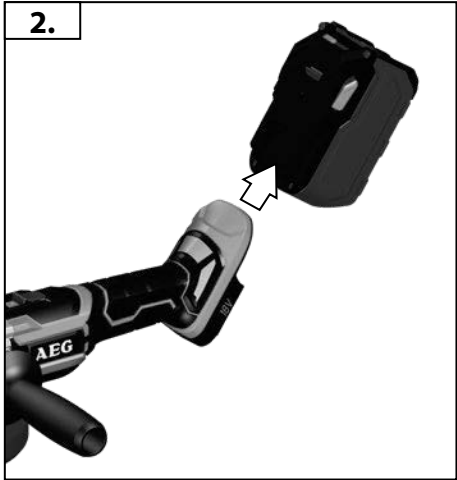
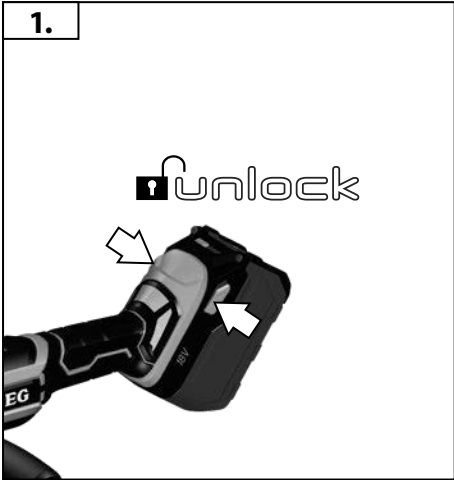
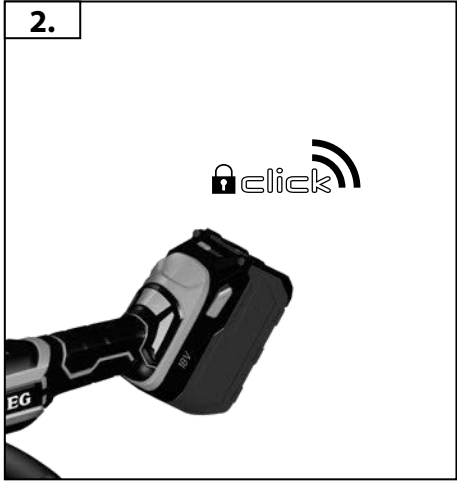
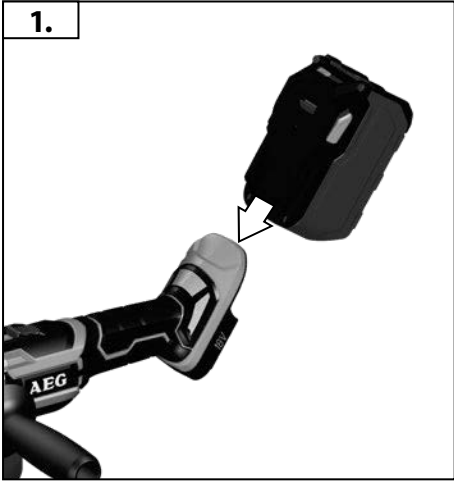






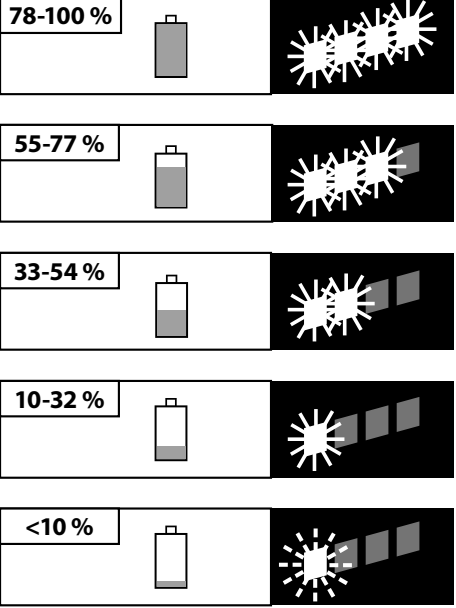
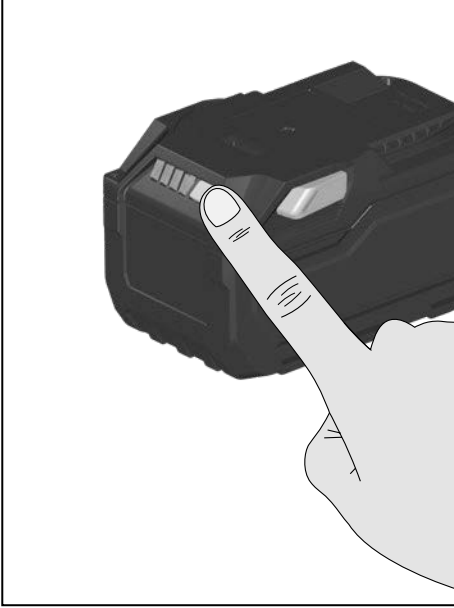


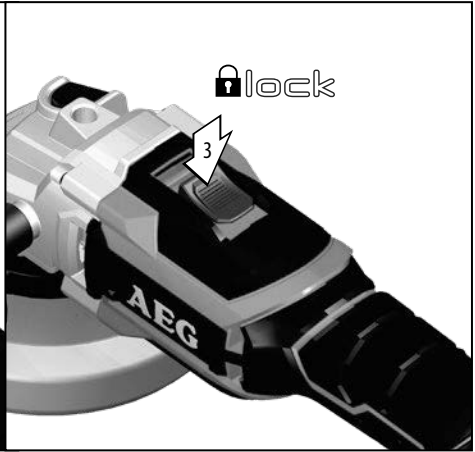
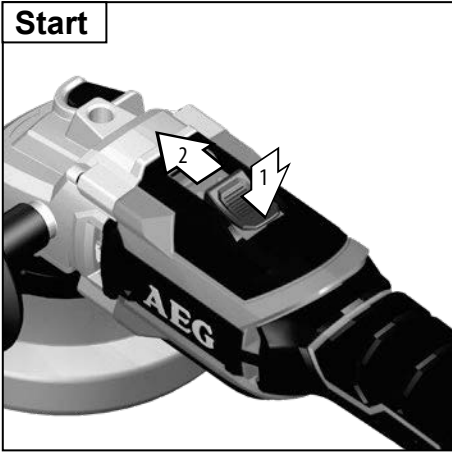




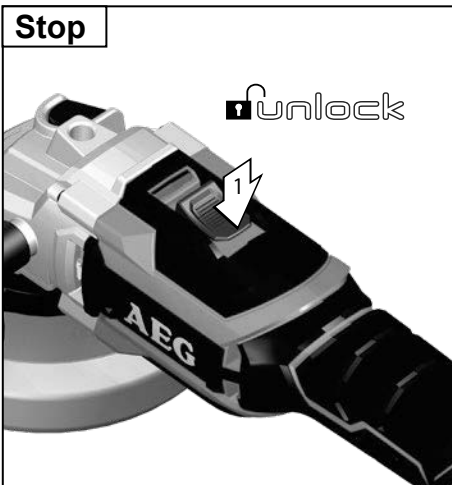


VI





START  
STOP  
VII

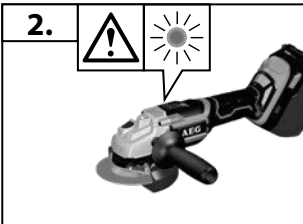
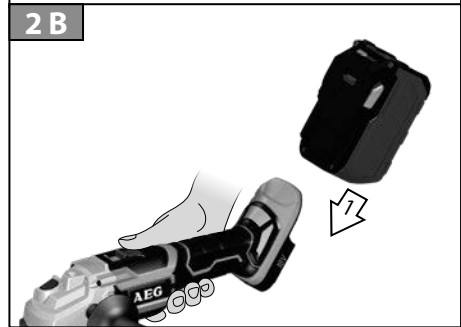
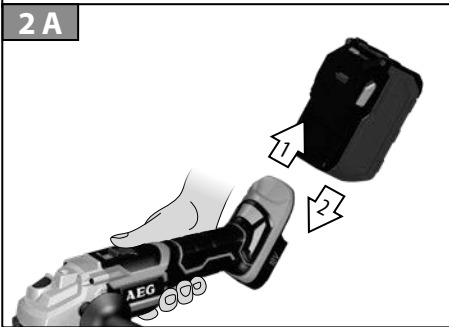
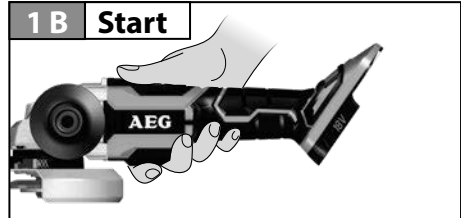
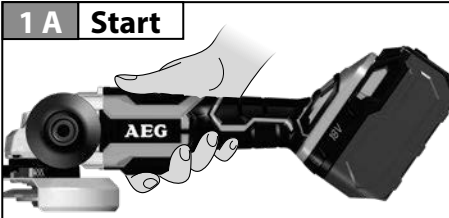




**START  
STOP**



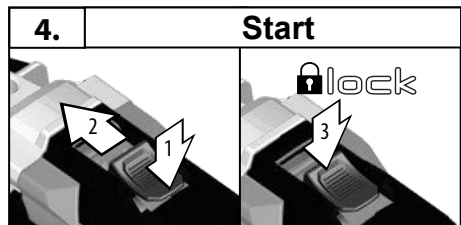
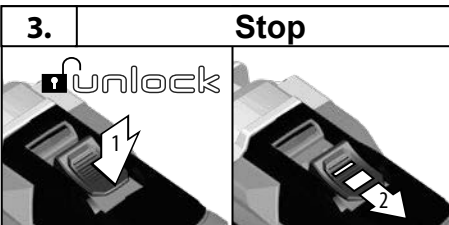
**START  
STOP  
VII**



Steady Red  
Kontinuierlich Rot  
Fixe Rouge  
Fisso Rosso  
Encendido Rojo  
Sólido Vermelho  
Continu Rood  
Lyser konstant Röd  
Konstant Röd  
Enfärgad Röd

Jatkuva Punainen  
Μονόχρωμο Κόκκινο  
Sağlam Kırmızı  
Nepřerušované Červená  
Nepreťrušované červené  
Światło stałe Czerwony  
Folyamatos Vörös  
Neprekinjeno Rdeča  
Trajno Crveno  
Vienkrāsains Sarkans

Nepertraukiamai dega  
Pidev Raudona  
Горит Рубине Красный  
Свети постоянно Червено  
Solid Roşu  
Еднобојно Црвено  
Горить Червоний  
ثابت أحمر





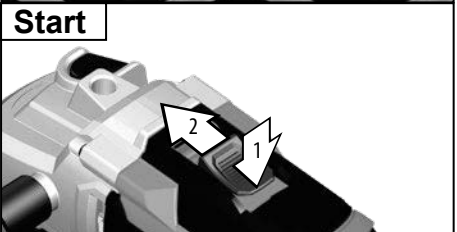
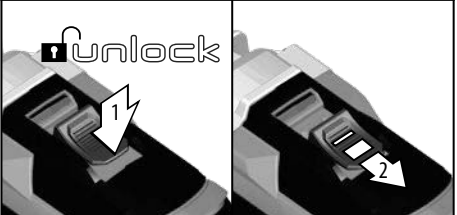
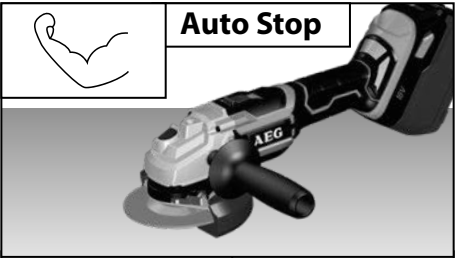
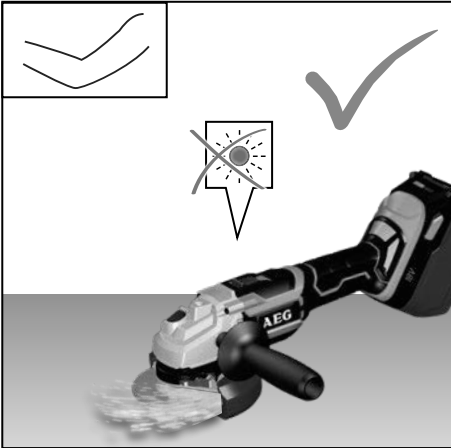
**START  
STOP**

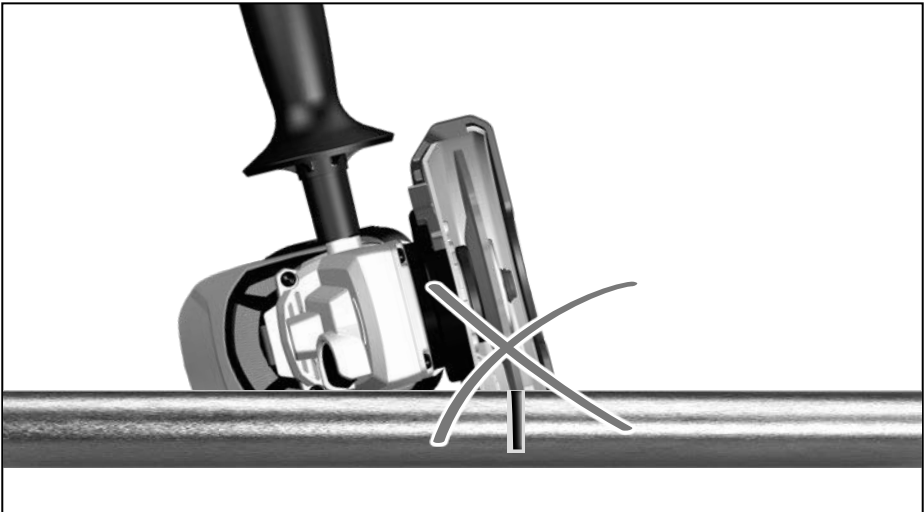
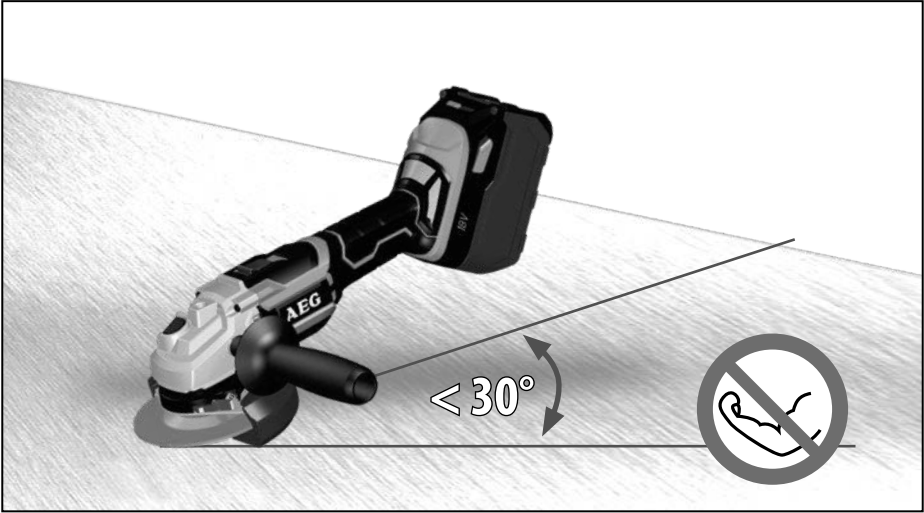
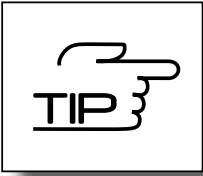


Flashing Red  
Blinkend Rot  
Bouton clignotant Rouge  
Intermittente Rosso  
Parpadeante Rojo  
Luz intermitente Vermelho  
Knipperend Rood  
Blinker Rødt  
Blinkende Rød  
Vilkkuva Punainen  
Αναβοσβήνει Κοκκίνο  
Yanıp söñme Kırmızı  
Blikající Červená  
Blikajúce červené

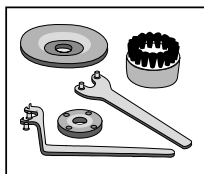
Miganie Czerwony  
Villogó Vörös  
Utripajoče Rdeča  
Treperéce Crveno  
Mirgošana Sarkans  
Mirksi Raudona  
Vilkuv Punane  
Мигаєт Красный  
Премигва Червено  
Pälpäire Rožu  
Трепкаво Црвено  
Блимає Червоний  
وميض أحمر

**START  
STOP  
VII**







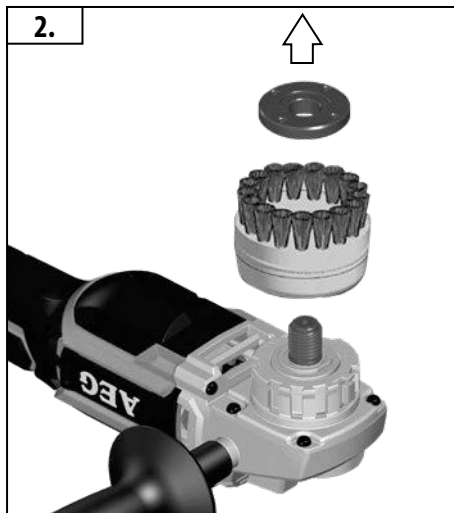
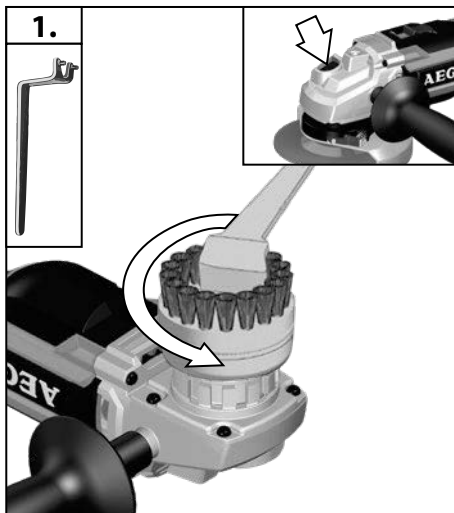
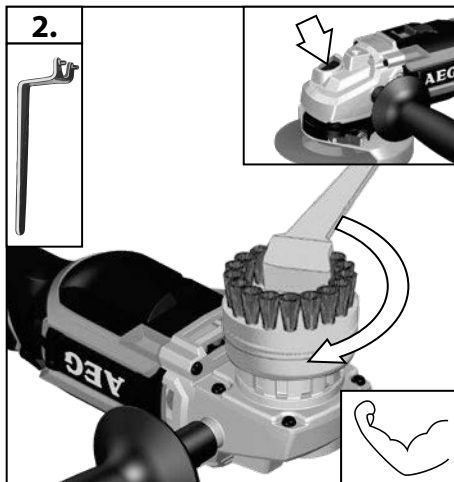
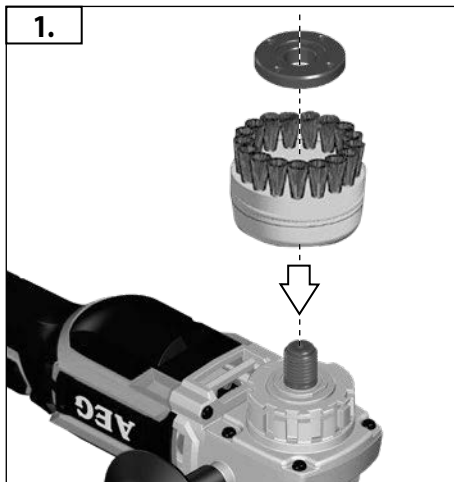


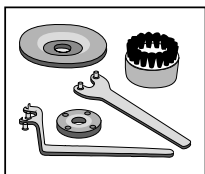
Accessory  
Zubehör  
Accessoires  
Accessorio  
Accessorio  
Aksesuar  
Toebehoren

Tilbehør  
Tilbehør  
Tilbehør  
Lisälaitte  
Εξαρτήματα  
Aksesuar  
Příslušenství

Prisluženstv  
Wposażenie  
Tartozékokat  
Oprema  
Piederumi  
Prieda  
Tarvikud

Aksessuaarid  
Дополнитель  
Аксесоари  
Ассесориу  
Додатоци  
Комплектуочи  
الملحق



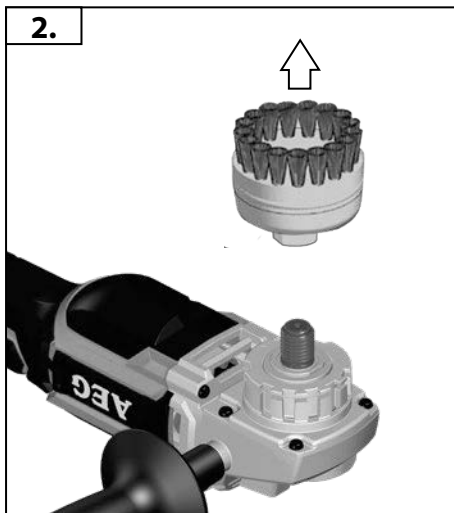
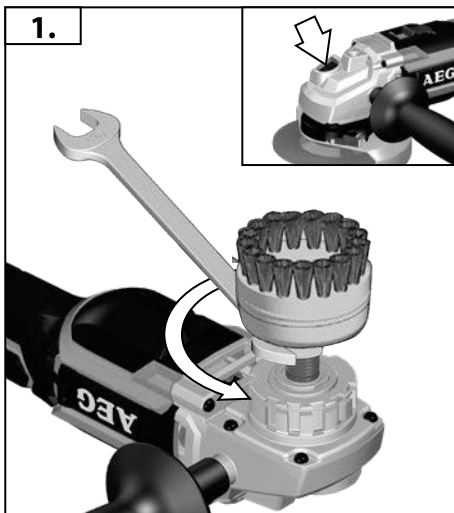
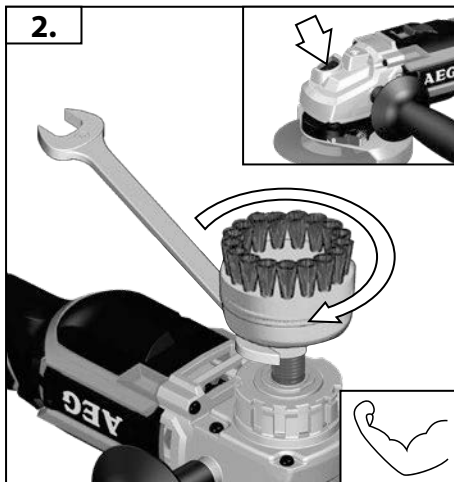
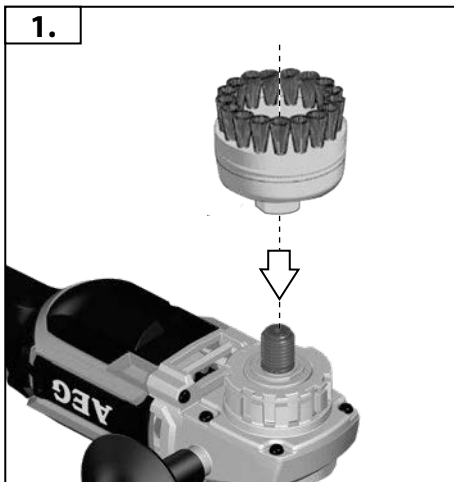


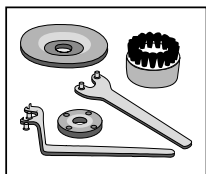
Accessory  
Zubehör  
Accessoires  
Accessorio  
Accessorio  
Accessório  
Toebehoren

Tilbehør  
Tilbehør  
Tilbehør  
Lisälaitte  
Εξαρτήματα  
Aksešuar  
Príslušenství

Príslušenstv  
Wyposażenie  
Tartozékokat  
Oprema  
Piederumi  
Prieda  
Tarvikud

Aksessuaarid  
Дополнитель  
Аксесоари  
Accessorii  
Додатоци  
Комплектуочи  
الملحق



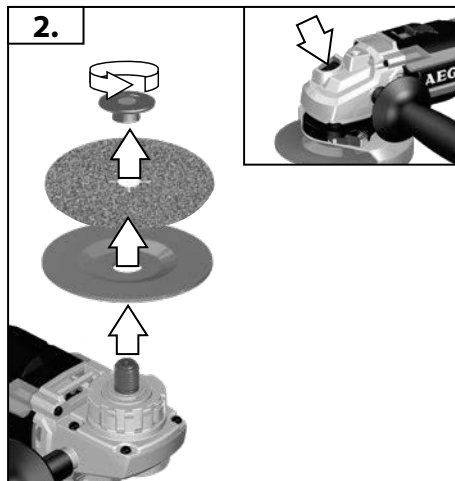
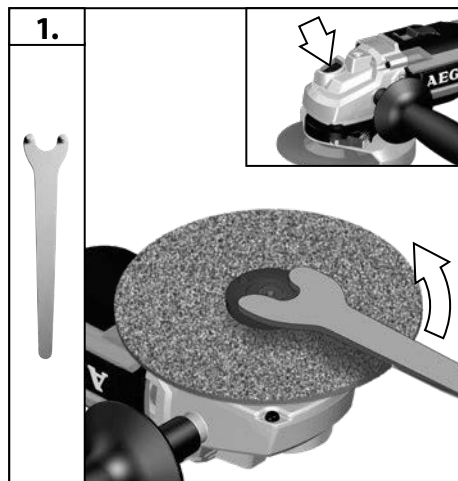
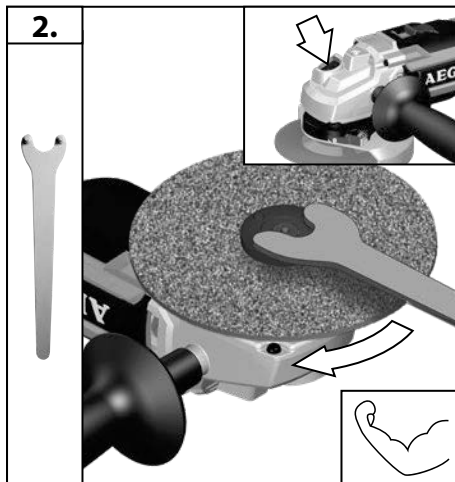
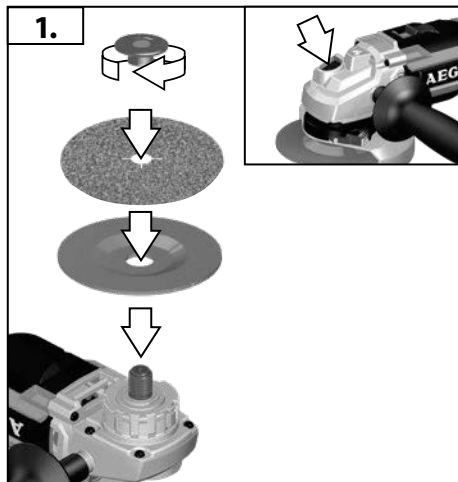


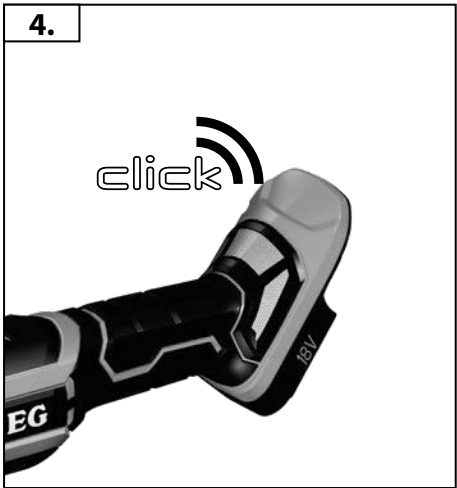
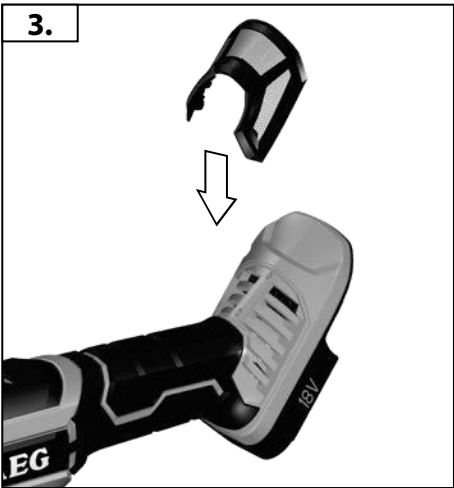
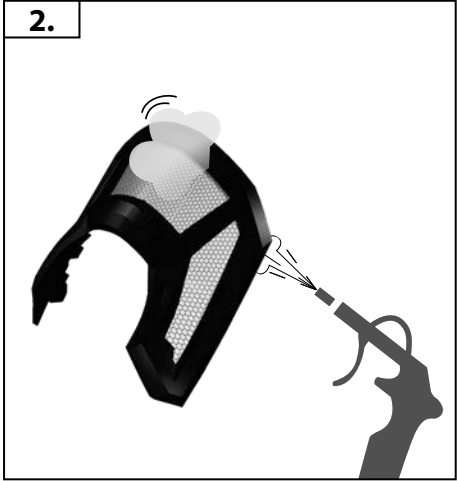
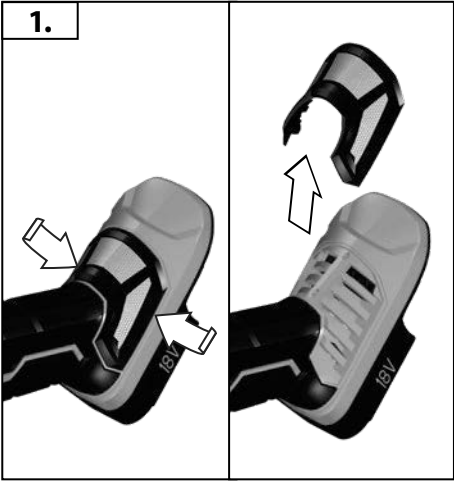
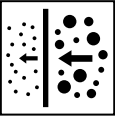
Accessory  
Zubehör  
Accessoires  
Accessorio  
Accessório  
Toebehoren

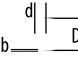
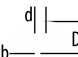
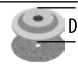

Tilbehør  
Tilbehør  
Tilbehør  
Lisälaite  
Εξαρτήματα  
Aksesuar  
Příslušenství

Prisluženstv  
Wyposażenie  
Tartozékokat  
Oprema  
Piederumi  
Prieda  
Tarvikud

Aksessuaarid  
Дополнитель  
Аксесоари  
Accessorii  
Додатоци  
Комплектуючі  
الملحق





TECHNICAL DATA Cordless Angle Grinder	BEWS18-115BL	BEWS18-125BL
Production code	4693 80 01 ... 4690 25 01 ... ... 000001-999999	4693 85 01 ... 4690 40 01 ... ... 000001-999999
Battery voltage	18 V	18 V
Rated speed	11000 min <sup>-1</sup>	11000 min <sup>-1</sup>
D= Grinding disk diameter max. d= Grinding disk hole diameter  b= Cutting disk thickness min. / max.  b= Grinding disk thickness max.	115 mm 22,2 mm 1/3 mm 6 mm	125 mm 22,2 mm 1/3 mm 6 mm
 D= Grinding surface diameter max.	115 mm	125 mm
 D= Wiring brush diameter max.	75 mm	75 mm
Thread of work spindle	M 14	M 14
Weight according EPTA-Procedure 01/2014 (Li-Ion 1,5 Ah...9,0 Ah)	2,4 kg ... 3,1 kg	2,4 kg ... 3,1 kg
Recommended Ambient Operating Temperature	-18°C ... +50°C	-18°C ... +50°C
Recommended battery types	L18...	L18...
Recommended charger	AL1218... / BL 1218...	AL1218... / BL 1218...
<b>Noise information</b>		
Measured values determined according to EN 60745. Typically, the A-weighted noise levels of the tool are:		
Sound pressure level (Uncertainty K=3dB(A))	83dB(A)	83dB(A)
Sound power level (Uncertainty K=3dB(A))	84dB(A)	84dB(A)
<b>Wear ear protectors!</b>		
<b>Vibration information</b>		
Vibration total values (triaxial vector sum) determined according to EN 60745		
Surface grinding (Li-Ion 1,5 Ah): Vibration emission value a <sub>h,AG</sub>	9,4m/s <sup>2</sup>	9,4m/s <sup>2</sup>
Uncertainty K=	1,5 m/s <sup>2</sup>	1,5 m/s <sup>2</sup>
Disk sanding (Li-Ion 1,5 Ah): Vibration emission value a <sub>h,DS</sub>	5,7m/s <sup>2</sup>	5,7m/s <sup>2</sup>
Uncertainty K=	1,5 m/s <sup>2</sup>	1,5 m/s <sup>2</sup>

For other applications, e.g. Abrasive Cutting-Off Operations or Wire Brushing other vibration values could occur.

### WARNING for Vibration!

The vibration emission level given in this information sheet has been measured in accordance with a standardised test given in EN 60745 and may be used to compare one tool with another. It may be used for a preliminary assessment of exposure.

The declared vibration emission level represents the main applications of the tool. However if the tool is used for different applications, with different accessories or poorly maintained, the vibration emission may differ. This may significantly increase the exposure level over the total working period.

An estimation of the level of exposure to vibration should also take into account the times when the tool is switched off or when it is running but not actually doing the job. This may significantly reduce the exposure level over the total working period.

Identify additional safety measures to protect the operator from the effects of vibration such as: maintain the tool and the accessories, keep the hands warm, organisation of work patterns.



### WARNING!

**Read all safety warnings and all instructions.** Failure to follow the warnings and instructions may result in electric shock, fire and/or serious injury.

**Save all warnings and instructions for future reference.**





### Device description

- |   |                          |
|---|--------------------------|
| ① Spindle lock  | ⑥ Guard lock lever       |
| ② Side handle / AVS Side handle<br>Insulated gripping surface | ⑦ Accessory              |
| ③ Handle Insulated gripping surface                           | ⑧ Flange                 |
| ④ On-Off Switch   | ⑨ Flangenut / FIXTEC nut |
| ⑤ Grinding Guard  | ⑩ Battery                |
|   | ⑪ Dust screen            |
|   | ⑫ Cutting Guard          |

### ⚠ ANGLE GRINDER SAFETY WARNINGS

#### Safety Warnings Common for Grinding, Sanding, Wire Brushing or Abrasive Cutting-Off Operations:

- This power tool is intended to function as a grinder, sander, wire brush or cut-off tool. Read all safety warnings, instructions, illustrations and specifications provided with this power tool.** Failure to follow all instructions listed below may result in electric shock, fire and/or serious injury.
- Operations such as polishing are not recommended to be performed with this power tool.** Operations for which the power tool was not designed may create a hazard and cause personal injury.
- Do not use accessories which are not specifically designed and recommended by the tool manufacturer.** Just because the accessory can be attached to your power tool, it does not assure safe operation.
- The rated speed of the accessory must be at least equal to the maximum speed marked on the power tool.** Accessories running faster than their rated speed can break and fly apart.
- The outside diameter and the thickness of your accessory must be within the capacity rating of your power tool.** Incorrectly sized accessories cannot be adequately guarded or controlled.
- Threaded mounting of accessories must match the grinder spindle thread. For accessories mounted by flanges, the arbour hole of the accessory must fit the locating diameter of the flange.** Accessories that do not match the mounting hardware of the power tool will run out of balance, vibrate excessively and may cause loss of control.
- Do not use a damaged accessory. Before each use inspect the accessory such as abrasive wheels for chips and cracks, backing pad for cracks, tear or excess wear, wire brush for**

**loose or cracked wires. If power tool or accessory is dropped, inspect for damage or install an undamaged accessory. After inspecting and installing an accessory, position yourself and bystanders away from the plane of the rotating accessory and run the power tool at maximum no-load speed for one minute.** Damaged accessories will normally break apart during this test time.

**h) Wear personal protective equipment. Depending on application, use face shield, safety goggles or safety glasses. As appropriate, wear dust mask, hearing protectors, gloves and workshop apron capable of stopping small abrasive or workpiece fragments.** The eye protection must be capable of stopping flying debris generated by various operations. The dust mask or respirator must be capable of filtering particles generated by your operation. Prolonged exposure to high intensity noise may cause hearing loss.

**i) Keep bystanders a safe distance away from work area. Anyone entering the work area must wear personal protective equipment.** Fragments of workpiece or of a broken accessory may fly away and cause injury beyond immediate area of operation.

**j) Hold the power tool by insulated gripping surfaces only, when performing an operation where the cutting accessory may contact hidden wiring.** Cutting accessory contacting a "live" wire may make exposed metal parts of the power tool "live" and could give the operator an electric shock.

**k) Never lay the power tool down until the accessory has come to a complete stop.** The spinning accessory may grab the surface and pull the power tool out of your control.

**l) Do not run the power tool while carrying it at your side.** Accidental contact with the spinning accessory could snag your clothing, pulling the accessory into your body.

**m) Regularly clean the power tool's air vents.** The motor's fan will draw the dust inside the housing and excessive accumulation of powdered metal may cause electrical hazards.

**n) Do not operate the power tool near flammable materials.** Sparks could ignite these materials.

**o) Do not use accessories that require liquid coolants.** Using water or other liquid coolants may result in electrocution or shock.

#### Kickback and Related Warnings

Kickback is a sudden reaction to a pinched or snagged rotating wheel, backing pad, brush or any other accessory. Pinching or snagging causes rapid stalling of the rotating accessory which in turn causes the uncontrolled power tool to be forced in the direction opposite of the accessory's rotation at the point of the binding.

For example, if an abrasive wheel is snagged or pinched by the workpiece, the edge of the wheel that is entering into the pinch point can dig into the surface of the material causing the wheel to climb out or kick out. The wheel may either jump toward or away from the operator, depending on direction of the wheel's movement at the point of pinching. Abrasive wheels may also break under these conditions.

Kickback is the result of power tool misuse and/or incorrect operating procedures or conditions and can be avoided by taking proper precautions as given below.

- Maintain a firm grip on the power tool and position your body and arm to allow you to resist kickback forces. Always use auxiliary handle, if provided, for maximum control over kickback or torque reaction during start-up.** The operator can control torque reactions or kickback forces, if proper precautions are taken.

**b) Never place your hand near the rotating accessory.**

Accessory may kickback over your hand.

**c) Do not position your body in the area where power tool will move if kickback occurs.** Kickback will propel the tool in direction opposite to the wheel's movement at the point of snagging.

**d) Use special care when working corners, sharp edges etc. Avoid bouncing and snagging the accessory.** Corners, sharp edges or bouncing have a tendency to snag the rotating accessory and cause loss of control or kickback.

**e) Do not attach a saw chain woodcarving blade or toothed saw blade.** Such blades create frequent kickback and loss of control.

**Safety Warnings Specific for Grinding and Abrasive Cutting-Off Operations:**

**a) Use only wheel types that are recommended for your power tool and the specific guard designed for the selected wheel.** Wheels for which the power tool was not designed cannot be adequately guarded and are unsafe.

**b) The grinding surface of the centre depressed wheels must be mounted below the plane of the guard lip.** An improperly mounted wheel that projects through the plane of the guard lip cannot be adequately protected.

**c) The guard must be securely attached to the power tool and positioned for maximum safety, so the least amount of wheel is exposed towards the operator.** The guard helps to protect the operator from broken wheel fragments, accidental contact with wheel and sparks that could ignite clothing.

**d) Wheels must be used only for recommended applications. For example: do not grind with the side of cut-off wheel.** Abrasive cut-off wheels are intended for peripheral grinding, side forces applied to these wheels may cause them to shatter.

**e) Always use undamaged wheel flanges that are of correct size and shape for your selected wheel.** Proper wheel flanges support the wheel thus reducing the possibility of wheel breakage. Flanges for cut-off wheels may be different from grinding wheel flanges.

**f) Do not use worn down wheels from larger power tools.** Wheel intended for larger power tool is not suitable for the higher speed of a smaller tool and may burst.

**Additional Safety Warnings Specific for Abrasive Cutting-Off Operations:**

**a) Do not "jam" the cut-off wheel or apply excessive pressure. Do not attempt to make an excessive depth of cut.** Overstressing the wheel increases the loading and susceptibility to twisting or binding of the wheel in the cut and the possibility of kickback or wheel breakage.

**b) Do not position your body in line with and behind the rotating wheel.** When the wheel, at the point of operation, is moving away from your body, the possible kickback may propel the spinning wheel and the power tool directly at you.

**c) When wheel is binding or when interrupting a cut for any reason, switch off the power tool and hold the power tool motionless until the wheel comes to a complete stop. Never attempt to remove the cut-off wheel from the cut while the wheel is in motion otherwise kickback may occur.** Investigate and take corrective action to eliminate the cause of wheel binding.

**d) Do not restart the cutting operation in the workpiece. Let the wheel reach full speed and carefully re-enter the cut.** The wheel may bind, walk up or kickback if the power tool is restarted in the workpiece.

**e) Support panels or any oversized workpiece to minimize the risk of wheel pinching and kickback.** Large workpieces tend to sag under their own weight. Supports must be placed under the workpiece near the line of cut and near the edge of the workpiece on both sides of the wheel.

**f) Use extra caution when making a "pocket cut" into existing walls or other blind areas.** The protruding wheel may cut gas or water pipes, electrical wiring or objects that can cause kickback.

**Safety Warnings Specific for Sanding Operations:**

**a) Do not use excessively oversized sanding disc paper. Follow manufacturers recommendations, when selecting sanding paper.** Larger sanding paper extending beyond the sanding pad presents a laceration hazard and may cause snagging, tearing of the disc or kickback.

**Safety Warnings Specific for Wire Brushing Operations:**

**a) Be aware that wire bristles are thrown by the brush even during ordinary operation. Do not overstress the wires by applying excessive load to the brush.** The wire bristles can easily penetrate light clothing and/or skin.

**b) If the use of a guard is recommended for wire brushing, do not allow any interference of the wire wheel or brush with the guard.** Wire wheel or brush may expand in diameter due to work load and centrifugal forces.

**Additional Safety and Working Instructions**

Always check the spindle lock button in fully released before switching on the tool! After using the spindle lock to tighten / loosen the abrasive disk, it is possible that the button may stick in the lock position. Whilst it may cause the tool or battery protection to operate and remove power to the tool. Turn off the switch, remove the battery then carefully rock the disk back and forth to release the spindle lock button.

Note: If the battery protection has also activated, simply remove the battery pack from the tool and replace it, thus resetting the protection.

When grinding metal, flying sparks are produced. Take care that no persons are endangered. Because of the danger of fire, no combustible materials should be located in the vicinity (spark flight zone). Do not use dust extraction.

Avoid flying sparks and sanding dust hit your body.

Never reach into the danger area of the machine when it is running. Chips and splinters must not be removed while the machine is running.

Immediately switch off the machine in case of considerable vibrations or if other malfunctions occur. Check the machine in order to find out the cause.

Under extreme conditions (e.g. smooth-grinding metals with the arbour and vulcanized fibre grinding disk), significant contamination can build up on the inside of the angle grinder.

Do not let any metal parts enter the airing slots - danger of short circuit!

**WARNING!** To reduce the risk of fire, personal injury, and product damage due to a short circuit, never immerse your tool, battery pack or charger in fluid or allow a fluid to flow inside them. Corrosive or conductive fluids, such as seawater, certain industrial chemicals, and bleach or bleach containing products, etc., Can cause a short circuit.

Never break open battery packs and chargers and store only in dry rooms. Keep dry at all times.



Use only System GBS chargers for charging System GBS battery packs. Do not use battery packs from other systems.

### RESIDUAL RISK

Even when the angle grinder is used as prescribed, it is still impossible to completely eliminate certain residual risk factors. The following hazards may arise and the operator should pay special attention to avoid the following:

#### **Injury caused by thrown-off particles.**

Metal or abrasive particles may enter the eyes and cause severe permanent damage.

Wear goggles approved for grinding operations whenever you use the product

#### **Injury caused by vibration.**

Limit exposure. See WARNING for Vibration!

#### **Injury caused by dust.**

Wear appropriate dust control mask with filters suitable for protecting against particles from the material being worked on and abrasive particles from the grinding disc.

Do not eat, drink, or smoke in the work area. Ensure adequate ventilation.

#### **Injury from contact with the grinding disc.**

The disc and workpiece will become hot during use. Wear gloves when changing discs or touching workpiece. Keep hands away from the grinding area at all times.

Clamp the workpiece whenever possible.

#### **Injury caused by noise.**

Prolonged exposure to noise will increase the risk of hearing damage, and the effects are cumulative. When using power tools for any extended period of time, wear hearing protection.

Injuries may be caused or aggravated by prolonged use of a tool. When using any tool for prolonged periods, ensure you take regular breaks.

### SPECIFIED CONDITIONS OF USE

The angle grinder is intended for grinding and cutting metal, stone, concrete and ceramic materials as well as sanding and wire brushing.

Use the cutting Cap from the accessories range for cutting application.

Please refer to the instructions supplied by the accessory manufacturer.

The machine is suitable only for working without water.

Only appropriate grinding or cutting discs and related guards (grinding guard or cutting guard) as described in the product specification section of this manual should be fitted to the angle grinder. The angle grinder is designed for handheld use; it is not to be mounted onto a fixture or workbench.

Do not use the product in any way other than those stated for intended use.

### WORKING INSTRUCTIONS

For accessories intended to be fitted with threaded hole wheel, ensure that the thread in the wheel is long enough to accept the spindle length.

Always use and store the cutting and grinding disks according to the manufacturer's instructions.

Always use the correct guard for cutting and grinding.

The grinding surface of the centre depressed disks must be mounted min. 2 mm below the plane of the guard lip.

The adjusting nut must be tightened before starting to work with the machine.

Always use the auxiliary handle.

The workpiece must be fixed if it is not heavy enough to be steady. Never move the workpiece towards the rotating disk by hand.

### BATTERIES

Temperatures in excess of 50°C (122°F) reduce the performance of the battery pack. Avoid extended exposure to heat or sunshine (risk of overheating).

The contacts of chargers and battery packs must be kept clean.

For an optimum life-time, the battery packs have to be fully charged, after use. Battery packs which have not been used for some time should be recharged before use.

To obtain the longest possible battery life remove the battery pack from the charger once it is fully charged.

For battery pack storage longer than 30 days, Store the battery pack where the temperature is below 27°C and away from moisture, Store the battery packs in a 30% - 50% charged condition, Every six months of storage, charge the pack as normal.

Do not dispose of used battery packs in the household refuse or by burning them. AEG Distributors offer to retrieve old batteries to protect our environment.

Do not store the battery pack together with metal objects (short circuit risk).

### BATTERY PACK PROTECTION

In extremely high torque, binding, stalling and short circuit situations that cause high current draw, the tool will stop for about 2 seconds and then the tool will turn Off. To reset, remove the battery pack from the tool and replace it.

Under extreme circumstances, the internal temperature of the battery pack could raise too much. If this happens, the fuel gauge will flash until the battery pack cooled down. After the lights go off, the work may continue. Place the battery on the charger to charge and reset it.

### TRANSPORTING LITHIUM BATTERIES

Lithium-ion batteries are subject to the Dangerous Goods Legislation requirements.

Transportation of those batteries has to be done in accordance with local, national and international provisions and regulations.

The user can transport the batteries by road without further requirements.

Commercial transport of Lithium-Ion batteries by third parties is subject to Dangerous Goods regulations. Transport preparation and transport are exclusively to be carried out by appropriately trained persons and the process has to be accompanied by corresponding experts.

When transporting batteries:

Ensure that battery contact terminals are protected and insulated to prevent short circuit. Ensure that battery pack is secured against movement within packaging. Do not transport batteries that are cracked or leak. Check with forwarding company for further advice





## RESTART CUTOFF

A zero-voltage switch prevents the machine from restarting after a power cut (Battery change).

When resuming work, switch the machine off and then switch it back on again.

## SMOOTH START

Electronic smooth start for save use prevents jerky run-up of the machine.

## MAINTENANCE

Remove the battery pack before starting any work on the appliance.

The ventilation slots of the machine must be kept clear at all times.

Use only AEG accessories and spare parts. Should components need to be replaced which have not been described, please contact one of our AEG service agents (see our list of guarantee/service addresses).

If needed, an exploded view of the tool can be ordered. Please state the Article No. as well as the machine type printed on the label and order the drawing at your local service agents or directly at: Techtronic Industries GmbH, Max-Eyth-Straße 10, 71364 Winnenden, Germany.

## EC-DECLARATION OF CONFORMITY

We declare under our sole responsibility that the product described under "Technical Data" fulfills all the relevant provisions of the directives

2011/65/EU (RoHS)

2006/42/EC

2014/30/EU

and the following harmonized standards have been used.

EN 60745-1:2009 + A11:2010

EN 60745-2-3:2011 + A2:2013 + A11:2014 + A12:2014 + A13:2015

EN 55014-1:2017

EN 55014-2:2015

EN 50581:2012



Winnenden, 2018-08-16

Alexander Krug / Managing Director  
Authorized to compile the technical file

Techtronic Industries GmbH  
Max-Eyth-Straße 10, 71364 Winnenden, Germany

## SYMBOLS



CAUTION! WARNING! DANGER!



Please read the instructions carefully before starting the machine.



Always wear goggles when using the machine.



Wear gloves!



Remove the battery pack before starting any work on the appliance.



ANTI Vibration System



Do not use force.



Only for cutting work.



Only for grinding.



Don't press the spindle lock button during start and during running off.



Accessory - Not included in standard equipment, available as an accessory.



Spare Part - Not included in standard equipment, available as a spare part.



Do not dispose electric tools, batteries/rechargeable batteries together with household waste material. Electric tools and batteries that have reached the end of their life must be collected separately and returned to an environmentally compatible recycling facility. Check with your local authority or retailer for recycling advice and collection point.



Direct Current



Voltage



Rated speed



European Conformity Mark

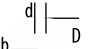
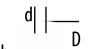




Ukraine Conformity Mark



EurAsian Conformity Mark



TECHNISCHE DATEN Akku-Winkelschleifer	BEWS18-115BL	BEWS18-125BL
Produktionsnummer	4693 80 01 ... 4690 25 01 ... ... 000001-999999	4693 85 01 ... 4690 40 01 ... ... 000001-999999
Spannung Wechselakku	18 V	18 V
Nenn Drehzahl	11000 min <sup>-1</sup>	11000 min <sup>-1</sup>
D= Schleifscheibendurchmesser max. d= Bohrungsdurchmesser	115 mm 22,2 mm	125 mm 22,2 mm
 b= Trennscheibendicke min. / max.	1/3 mm	1/3 mm
 b= Schleifscheibendicke max.	6 mm	6 mm
 D= Schleifflächendurchmesser max.	115 mm	125 mm
 D= Topfbürstendurchmesser max.	75 mm	75 mm
Spindelgewinde	M 14	M 14
Gewicht nach EPTA-Prozedur 01/2014 (Li-Ion 1,5 Ah ... 9,0 Ah)	2,4 kg ... 3,1 kg	2,4 kg ... 3,1 kg
Empfohlene Umgebungstemperatur für den Betrieb	-18°C ... +50°C	-18°C ... +50°C
Empfohlene Akku Typen	L18...	L18...
Empfohlene Ladegeräte	AL1218... / BL 1218...	AL1218... / BL 1218...
<b>Geräuschinformation</b>		
Messwerte ermittelt entsprechend EN 60745. Der A-bewertete Geräuschpegel des Gerätes beträgt typischerweise:		
Schalldruckpegel (Unsicherheit K=3dB(A))	83dB(A)	83dB(A)
Schallleistungspegel (Unsicherheit K=3dB(A))	84dB(A)	84dB(A)
<b>Gehörschutz tragen!</b>		
<b>Vibrationsinformationen</b>		
Schwingungsgesamtwerte (Vektorsumme dreier Richtungen) ermittelt entsprechend EN 60745.		
Oberflächenschleifen (Li-Ion 1,5 Ah): Schwingungsemissionswert a <sub>h,AG</sub>	9,4m/s <sup>2</sup>	9,4m/s <sup>2</sup>
Unsicherheit K=	1,5 m/s <sup>2</sup>	1,5 m/s <sup>2</sup>
Schleifen mit Schleifblatt (Li-Ion 1,5 Ah): Schwingungsemissionswert a <sub>h,DS</sub>	5,7m/s <sup>2</sup>	5,7m/s <sup>2</sup>
Unsicherheit K=	1,5 m/s <sup>2</sup>	1,5 m/s <sup>2</sup>

Bei anderen Anwendungen, wie z.B. Trennschleifen oder Schleifen mit der Stahldrahtbürste können sich andere Vibrationswerte ergeben!

### WARNUNG vor Vibration!

Der in diesen Anweisungen angegebene Schwingungspegel ist entsprechend einem in EN 60745 genormten Messverfahren gemessen worden und kann für den Vergleich von Elektrowerkzeugen miteinander verwendet werden. Er eignet sich auch für eine vorläufige Einschätzung der Schwingungsbelastung.

Der angegebene Schwingungspegel repräsentiert die hauptsächlichen Anwendungen des Elektrowerkzeugs. Wenn allerdings das Elektrowerkzeug für andere Anwendungen, mit abweichenden Einsatzwerkzeugen oder ungenügender Wartung eingesetzt wird, kann der Schwingungspegel abweichen. Dies kann die Schwingungsbelastung über den gesamten Arbeitszeitraum deutlich erhöhen. Für eine genaue Abschätzung der Schwingungsbelastung sollten auch die Zeiten berücksichtigt werden, in denen das Gerät abgeschaltet ist oder zwar läuft, aber nicht tatsächlich im Einsatz ist. Dies kann die Schwingungsbelastung über den gesamten Arbeitszeitraum deutlich reduzieren.

Legen Sie zusätzliche Sicherheitsmaßnahmen zum Schutz des Bedieners vor der Wirkung von Schwingungen fest wie zum Beispiel: Wartung von Elektrowerkzeug und Einsatzwerkzeugen, Warmhalten der Hände, Organisation der Arbeitsabläufe.

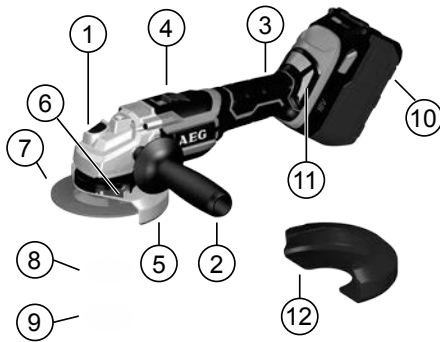
### **WARNUNG!**

#### **Lesen Sie alle Sicherheitshinweise und Anweisungen.**

Versäumnisse bei der Einhaltung der Sicherheitshinweise und Anweisungen können elektrischen Schlag, Brand und/oder schwere Verletzungen verursachen.

#### **Bewahren Sie alle Sicherheitshinweise und Anweisungen für die Zukunft auf.**

Deutsch



### Gerätebeschreibung

- |   |                                   |
|---|-----------------------------------|
| ① Spindelarretierung  | rungshebel                        |
| ② Zusatzhandgriff / AVS<br>Zusatzhandgriff<br>Isolierte Grifffläche | ⑦ Zubehör                         |
| ③ Gerätehandgriff Isolierte<br>Grifffläche                          | ⑧ Flansch                         |
| ④ Ein / Aus Schalter  | ⑨ Flanschmutter /FIXTEC<br>Mutter |
| ⑤ Schleifschutzhaube  | ⑩ Akku                            |
| ⑥ Schutzhauben-Arretie-   | ⑪ Staubschutz                     |
|   | ⑫ Trennschutzhaube                |

### ⚠ SICHERHEITSHINWEISE FÜR WINKELSCHLEIFER

**Gemeinsame Sicherheitshinweise zum Schleifen, Sandpapiers Schleifen, Arbeiten mit Drahtbürsten und Trennschleifen:**

- a) Dieses Elektrowerkzeug ist zu verwenden als Schleifer, Sandpapiers Schleifer, Drahtbürste und Trennschleifmaschine. Beachten Sie alle Sicherheitshinweise, Anweisungen, Darstellungen und Daten, die Sie mit dem Gerät erhalten.** Wenn Sie die folgenden Anweisungen nicht beachten, kann es zu elektrischem Schlag, Feuer und/oder schweren Verletzungen kommen.
- b) Dieses Elektrowerkzeug ist nicht geeignet zum Polieren.** Verwendungen, für die das Elektrowerkzeug nicht vorgesehen ist, können Gefährdungen und Verletzungen verursachen.
- c) Verwenden Sie kein Zubehör, das vom Hersteller nicht speziell für dieses Elektrowerkzeug vorgesehen und empfohlen wurde.** Nur weil Sie das Zubehör an Ihrem Elektrowerkzeug befestigen können, garantiert das keine sichere Verwendung.
- d) Die zulässige Drehzahl des Einsatzwerkzeugs muss mindestens so hoch sein wie die auf dem Elektrowerkzeug angegebene Höchstzahl.** Zubehör, das sich schneller als zulässig dreht, kann zerbrechen und umherfliegen.
- e) Außendurchmesser und Dicke des Einsatzwerkzeugs müssen den Maßangaben Ihres Elektrowerkzeugs entsprechen.** Falsch bemessene Einsatzwerkzeuge können nicht ausreichend abgeschirmt oder kontrolliert werden.
- f) Einsatzwerkzeuge mit Gewindeeinsatz müssen genau auf das Gewinde der Schleifspindel passen. Bei Einsatzwerkzeugen, die mittels Flansch montiert werden, muss der Lochdurchmesser des Einsatzwerkzeugs zum Aufnahmeflansch des Flansches passen.** Einsatzwerkzeuge,

die nicht genau am Einsatzwerkzeug befestigt werden, drehen sich ungleichmäßig, vibrieren sehr stark und können zum Verlust der Kontrolle führen.

**g) Verwenden Sie keine beschädigten Einsatzwerkzeuge. Kontrollieren Sie vor jeder Verwendung Einsatzwerkzeuge wie Schleifscheiben auf Absplitterungen und Risse, Schleifteller auf Risse, Verschleiß oder starke Abnutzung, Drahtbürsten auf lose oder gebrochene Drähte. Wenn das Elektrowerkzeug oder das Einsatzwerkzeug herunterfällt, überprüfen Sie, ob es beschädigt ist, oder verwenden Sie ein unbeschädigtes Einsatzwerkzeug. Wenn Sie das Einsatzwerkzeug kontrolliert und eingesetzt haben, halten Sie und in der Nähe befindliche Personen sich außerhalb der Ebene des rotierenden Einsatzwerkzeugs auf und lassen Sie das Elektrowerkzeug eine Minute lang mit Höchstzahl laufen. Beschädigte Einsatzwerkzeuge brechen meist in dieser Testzeit.**

**h) Tragen Sie persönliche Schutzausrüstung. Verwenden Sie je nach Anwendung Vollgesichtsschutz, Augenschutz und Schutzbrille. Soweit angemessen, tragen Sie Staubmaske, Gehörschutz, Schutzhandschuhe oder Spezialschürze, die kleine Schleif- und Materialpartikel von Ihnen fernhält.** Die Augen sollen vor herumfliegenden Fremdkörpern geschützt werden, die bei verschiedenen Anwendungen entstehen. Staub- oder Atemschutzmaske müssen den bei der Anwendung entstehenden Staub filtern. Wenn Sie lange lautem Lärm ausgesetzt sind, können Sie einen Hörverlust erleiden.

**i) Achten Sie bei anderen Personen auf sicheren Abstand zu Ihrem Arbeitsbereich. Jeder, der den Arbeitsbereich betritt, muss persönliche Schutzausrüstung tragen.** Bruchstücke des Werkstücks oder gebrochener Einsatzwerkzeuge können wegfliegen und Verletzungen auch außerhalb des direkten Arbeitsbereichs verursachen.

**j) Halten Sie das Elektrowerkzeug nur an den isolierten Griffflächen, wenn Sie Arbeiten ausführen, bei denen das Einsatzwerkzeug verborgene Stromleitungen treffen kann.** Der Kontakt mit einer spannungsführenden Leitung kann auch metallene Geräteile unter Spannung setzen und zu einem elektrischen Schlag führen.

**k) Legen Sie das Elektrowerkzeug niemals ab, bevor das Einsatzwerkzeug völlig zum Stillstand gekommen ist.** Das sich drehende Einsatzwerkzeug kann in Kontakt mit der Ablagefläche geraten, wodurch Sie die Kontrolle über das Elektrowerkzeug verlieren können.

**l) Lassen Sie das Elektrowerkzeug nicht laufen, während Sie es tragen.** Ihre Kleidung kann durch zufälligen Kontakt mit dem sich drehenden Einsatzwerkzeug erfasst werden und das Einsatzwerkzeug sich in Ihren Körper bohren.

**m) Reinigen Sie regelmäßig die Lüftungsschlitze Ihres Elektrowerkzeugs.** Das Motorgebläse zieht Staub in das Gehäuse, und eine starke Ansammlung von Metallstaub kann elektrische Gefahren verursachen.

**n) Verwenden Sie das Elektrowerkzeug nicht in der Nähe brennbarer Materialien.** Funken können diese Materialien entzünden.

**o) Verwenden Sie keine Einsatzwerkzeuge, die flüssige Kühlmittel erfordern.** Die Verwendung von Wasser oder anderen flüssigen Kühlmitteln kann zu einem elektrischen Schlag führen.

### Rückschlag und entsprechende Sicherheitshinweise

Rückschlag ist die plötzliche Reaktion infolge eines hakenden oder blockierten drehenden Einsatzwerkzeugs, wie Schleifscheibe, Schleifteller, Drahtbürste usw. Verhaken oder Blockieren führt zu einem abrupten Stopp des rotierenden Einsatzwerkzeugs. Dadurch



wird ein unkontrolliertes Elektrowerkzeug gegen die Drehrichtung des Einsatzwerkzeugs an der Blockierstelle beschleunigt.

Wenn z. B. eine Schleifscheibe im Werkstück hakt oder blockiert, kann sich die Kante der Schleifscheibe, die in das Werkstück eintaucht, verfangen und dadurch die Schleifscheibe ausbrechen oder einen Rückschlag verursachen. Die Schleifscheibe bewegt sich dann auf die Bedienperson zu oder von ihr weg, je nach Drehrichtung der Scheibe an der Blockierstelle. Hierbei können Schleifscheiben auch brechen.

Ein Rückschlag ist die Folge eines falschen oder fehlerhaften Gebrauchs des Elektrowerkzeugs. Er kann durch geeignete Vorsichtsmaßnahmen, wie nachfolgend beschrieben, verhindert werden.

**a) Halten Sie das Elektrowerkzeug gut fest und bringen Sie Ihren Körper und Ihre Arme in eine Position, in der Sie die Rückschlagkräfte abfangen können. Verwenden Sie immer den Zusatzgriff, falls vorhanden, um die größtmögliche Kontrolle über Rückschlagkräfte oder Reaktionsmomente beim Hochlauf zu haben.** Die Bedienperson kann durch geeignete Vorsichtsmaßnahmen die Rückschlag- und Reaktionskräfte beherrschen.

**b) Bringen Sie Ihre Hand nie in die Nähe sich drehender Einsatzwerkzeuge.** Das Einsatzwerkzeug kann sich beim Rückschlag über Ihre Hand bewegen.

**c) Meiden Sie mit Ihrem Körper den Bereich, in den das Elektrowerkzeug bei einem Rückschlag bewegt wird.** Der Rückschlag treibt das Elektrowerkzeug in die Richtung entgegenge setzt zur Bewegung der Schleifscheibe an der Blockierstelle.

**d) Arbeiten Sie besonders vorsichtig im Bereich von Ecken, scharfen Kanten usw. Verhindern Sie, dass Einsatzwerkzeuge vom Werkstück zurückprallen und verklebmen.** Das rotierende Einsatzwerkzeug neigt bei Ecken, scharfen Kanten oder wenn es abprallt dazu, sich zu verklebmen. Dies verursacht einen Kontrollverlust oder Rückschlag.

**e) Verwenden Sie kein Ketten- oder gezähntes Sägeblatt.** Solche Einsatzwerkzeuge verursachen häufig einen Rückschlag oder den Verlust der Kontrolle über das Elektrowerkzeug.

#### **Besondere Sicherheitshinweise zum Schleifen und Trennschleifen:**

**a) Verwenden Sie ausschließlich die für Ihr Elektrowerkzeug zugelassenen Schleifkörper und die für diese Schleifkörper vorgesehene Schutzhaube.** Schleifkörper, die nicht für das Elektrowerkzeug vorgesehen sind, können nicht ausreichend abgeschirmt werden und sind unsicher.

**b) Gekröpfte Schleifscheiben müssen so montiert werden, dass ihre Schleiffläche nicht über die Ebene des Schutzhaubenrandes hinausragt.** Eine unsachgemäß montierte Schleifscheibe, die über die Ebene des Schutzhaubenrandes hinausragt, kann nicht ausreichend abgeschirmt werden.

**c) Die Schutzhaube muss sicher am Elektrowerkzeug angebracht und für ein Höchstmaß an Sicherheit so eingestellt sein, dass der kleinstmögliche Teil des Schleifkörpers offen zum Bediener zeigt.** Die Schutzhaube hilft, die Bedienperson vor Bruchstücken, zufälligem Kontakt mit dem Schleifkörper sowie Funken, die Kleidung entzünden könnten, zu schützen.

**d) Schleifkörper dürfen nur für die empfohlenen Einsatzmöglichkeiten verwendet werden. Zum Beispiel: Schleifen Sie nie mit der Seitenfläche einer Trennscheibe.** Trennscheiben sind zum Materialabtrag mit der Kante der Scheibe bestimmt. Seitliche Kräfteinwirkung auf diese Schleifkörper kann sie zerbrechen.

**e) Verwenden Sie immer unbeschädigte Spannflansche in der richtigen Größe und Form für die von Ihnen gewählte Schleifscheibe.** Geeignete Flansche stützen die Schleifscheibe und verringern so die Gefahr eines Schleifscheibenbruchs. Flansche für Trennscheiben können sich von den Flanschen für andere Schleifscheiben unterscheiden.

**f) Verwenden Sie keine abgenutzten Schleifscheiben von größeren Elektrowerkzeugen.** Schleifscheiben für größere Elektrowerkzeuge sind nicht für die höheren Drehzahlen von kleineren Elektrowerkzeugen ausgelegt und können brechen.

#### **Weitere besondere Sicherheitshinweise zum Trennschleifen:**

**a) Vermeiden Sie ein Blockieren der Trennscheibe oder zu hohen Anpressdruck. Führen Sie keine übermäßig tiefen Schnitte aus.** Eine Überlastung der Trennscheibe erhöht deren Beanspruchung und die Anfälligkeit zum Veranken oder Blockieren und damit die Möglichkeit eines Rückschlags oder Schleifkörperbruchs.

**b) Meiden Sie den Bereich vor und hinter der rotierenden Trennscheibe.** Wenn Sie die Trennscheibe im Werkstück von sich wegbewegen, kann im Falle eines Rückschlags das Elektrowerkzeug mit der sich drehenden Scheibe direkt auf Sie zugeschleudert werden.

**c) Falls die Trennscheibe verklebmt oder Sie die Arbeit unterbrechen, schalten Sie das Gerät aus und halten Sie es ruhig, bis die Scheibe zum Stillstand gekommen ist. Versuchen Sie nie, die noch laufende Trennscheibe aus dem Schnitt zu ziehen, sonst kann ein Rückschlag erfolgen.** Ermitteln und beheben Sie die Ursache für das Verklebmen.

**d) Schalten Sie das Elektrowerkzeug nicht wieder ein, solange es sich im Werkstück befindet. Lassen Sie die Trennscheibe erst ihre volle Drehzahl erreichen, bevor Sie den Schnitt vorsichtig fortsetzen.** Anderenfalls kann die Scheibe verhaken, aus dem Werkstück springen oder einen Rückschlag verursachen.

**e) Stützen Sie Platten oder große Werkstücke ab, um das Risiko eines Rückschlags durch eine eingeklemmte Trennscheibe zu vermindern.** Große Werkstücke können sich unter ihrem eigenen Gewicht durchbiegen. Das Werkstück muss auf beiden Seiten abgestützt werden, und zwar sowohl in der Nähe des Trennschnitts als auch an der Kante.

**f) Seien Sie besonders vorsichtig bei „Taschenschnitten“ in bestehende Wände oder andere nicht einsehbare Bereiche.** Die eintauchende Trennscheibe kann beim Schneiden in Gas- oder Wasserleitungen, elektrische Leitungen oder andere Objekte einen Rückschlag verursachen.

#### **Besondere Sicherheitshinweise zum Sandpapierschleifen:**

**a) Benutzen Sie keine überdimensionierten Schleifblätter, sondern befolgen Sie die Herstellerangaben zur Schleifblattgröße.** Schleifblätter, die über den Schleifteller hinausragen, können Verletzungen verursachen sowie zum Blockieren, Zerreißen der Schleifblätter oder zum Rückschlag führen.

#### **Besondere Sicherheitshinweise zum Arbeiten mit Drahtbürsten:**

**a) Beachten Sie, dass die Drahtbürste auch während des üblichen Gebrauchs Drahtstücke verliert. Überlasten Sie die Drähte nicht durch zu hohen Anpressdruck.** Wegfliegende Drahtstücke können sehr leicht durch dünne Kleidung und/oder die Haut dringen.

**b) Wird eine Schutzhaube empfohlen, verhindern Sie, dass sich Schutzhaube und Drahtbürste berühren können.** Teller- und Topfbürsten können durch Anpressdruck und Zentrifugalkräfte ihren Durchmesser vergrößern.



## Weitere Sicherheits- und Arbeitshinweise

Überprüfen Sie stets, ob die Spindelarretierung vollständig gelöst ist, bevor Sie das Werkzeug einschalten! Nach der Verwendung der Spindelarretierung zum Anziehen/Lösen der Schleifscheibe ist es möglich, dass die Taste in der Verriegelungsstellung stecken bleibt. Solange kann das Werkzeug oder der Akkuschutz laufen und dem Werkzeug Strom entnehmen. Schalten Sie den Schalter aus, entnehmen Sie den Akku und schütteln Sie die Scheibe vorsichtig vor und zurück, um die Spindelarretierung zu lösen.

Hinweis: Wenn auch der Akkuschutz aktiviert wurde, entnehmen Sie den Akkusatz einfach aus dem Werkzeug und setzen in erneut ein, um den Schutz zurückzusetzen.

Beim Schleifen von Metallen entsteht Funkenflug. Darauf achten, dass keine Personen gefährdet werden. Wegen der Brandgefahr dürfen sich keine brennbaren Materialien im Funkenflugbereich befinden. Keine Staubabsaugung verwenden.

Vermeiden Sie, dass Funkenflug und Schleifstaub den Körper treffen.

Nicht in den Gefahrenbereich der laufenden Maschine greifen.

Späne oder Splitter dürfen bei laufender Maschine nicht entfernt werden.

Gerät sofort ausschalten, wenn beträchtliche Schwingungen auftreten oder andere Mängel festgestellt werden. Überprüfen Sie die Maschine, um die Ursache festzustellen.

Bei extremen Einsatzbedingungen (z. B. beim Glattschleifen von Metallen mit Stützteller und Vulkanfieber-Schleifscheibe) kann sich eine starke Verschmutzung im Inneren des Winkelschleifers (Metallablagerungen) aufbauen.

Wegen Kugelschlussgefahr dürfen Metallteile nicht in die Lüftungsschlitze gelangen.

**WARNUNG!** Um die durch einen Kurzschluss verursachte Gefahr eines Brandes, von Verletzungen oder Produktbeschädigungen zu vermeiden, tauchen Sie das Werkzeug, den Wechselakku oder das Ladegerät nicht in Flüssigkeiten ein und sorgen Sie dafür, dass keine Flüssigkeiten in die Geräte und Akkus eindringen. Korrodierende oder leitfähige Flüssigkeiten, wie Salzwasser, bestimmte Chemikalien und Bleichmittel oder Produkte, die Bleichmittel enthalten, können einen Kurzschluss verursachen.

Wechselakku und Ladegeräte nicht öffnen und nur in trockenen Räumen lagern. Vor Nässe schützen.

Wechselakku des Systems GBS nur mit Ladegeräten des Systems GBS laden. Keine Akkus aus anderen Systemen laden.

## RESTRISIKEN

Selbst wenn der Winkelschleifer wie vorgeschrieben verwendet wird, können nicht alle Risiken vollständig beseitigt werden und gewisse Restrisiken bleiben bestehen. Es können die nachfolgend beschriebenen Gefahren auftreten und der Bediener sollte sich dieser Gefahren bewusst sein, um sie vermeiden zu können.

### Durch abgeworfene Partikel verursachte Verletzungen.

Metall- oder Schleifpartikel können in die Augen gelangen und schwere, dauerhafte Schäden verursachen. Tragen Sie eine für den Schleifbetrieb zugelassene Schutzbrille, wenn Sie das Produkt verwenden.

### Durch Schwingungen verursachte Verletzungen.

Belastung einschränken. Siehe WARNUNG vor Vibration!

### Durch Staub verursachte Verletzungen.

Tragen Sie eine angemessene Staubschutzmaske mit geeigneten Filtern zum Schutz vor Partikeln von den bearbeiteten Materialien und Schleifpartikeln von der Schleifscheibe.

Essen, trinken oder rauchen Sie nicht im Arbeitsbereich. Sorgen Sie für eine angemessene Belüftung.

### Verletzungen durch Kontakt mit der Schleifscheibe.

Die Scheibe und das Werkstück werden während der Verwendung heiß. Tragen Sie Handschuhe, wenn Sie Scheiben austauschen oder das Werkstück berühren. Halten Sie Ihre Hände unter keinen Umständen in den Schleifbereich.

Spannen Sie das Werkstück nach Möglichkeit immer ein.

### Durch Lärm verursachte Verletzungen.

Wenn Sie längere Zeit Lärm ausgesetzt sind, steigt das Risiko von Hörschäden, und die Folgen sind kumulativ. Tragen Sie daher, wenn Sie längere Zeit Elektrowerkzeuge verwenden, einen Hörschutz.

Verletzungen können durch einen längeren Gebrauch eines Werkzeugs verursacht oder verschlimmert werden. Wenn Sie Werkzeuge über eine längere Zeit benutzen, sollten Sie darauf achten, regelmäßig Pausen einzulegen.

## BESTIMMUNGSGEMÄSSE VERWENDUNG

Der Winkelschleifer ist zum Schleifen und Trennen von Metall-, Stein-, Beton- und Keramikmaterialien sowie zum Schmirgeln und Bürsten (mit einer Drahtbürste) vorgesehen.

Für Trennarbeiten Trennschutzkappe aus dem Zubehörprogramm verwenden.

Beachten Sie auch die Hinweise der Zubehörhersteller.

Das Elektrowerkzeug ist nur für Trockenbearbeitung geeignet.

Am Winkelschleifer sollten nur geeignete Schleif- oder Trennscheiben und entsprechende Schutzvorrichtungen (Schleifschutz oder Trennschutz), wie im Abschnitt „Produktspezifikation“ dieses Handbuchs beschrieben, angebracht werden. Der Winkelschleifer ist als Handwerkzeug vorgesehen. Er darf nicht auf einer Halterung oder Werkbank montiert werden.

Verwenden Sie das Produkt nur für den bestimmungsgemäßen Gebrauch.

## ARBEITSHINWEISE

Vergewissern Sie sich bei Schleifwerkzeugen mit Gewindeeinsetzung, dass das Gewinde lang genug ist, um die Spindellänge aufzunehmen.

Trenn- und Schleifscheiben stets gemäß den Angaben des Herstellers verwenden und aufbewahren.

Beim Schruppen und Trennen immer mit Schutzhaube arbeiten.

Gekröpte Schleifscheiben müssen so montiert werden, dass ihre Schleiffläche mind. 2 mm unter der Ebene des Schutzhaubenrandes endet.

Die Flanschmutter muss vor Inbetriebnahme der Maschine angezogen sein.

Stets den Zusatzhandgriff verwenden.

Das zu bearbeitende Werkstück muss festgespannt werden, sofern es nicht durch sein Eigengewicht hält. Niemals Werkstück mit der Hand gegen die Scheibe führen.

## AKKUS

Eine Temperatur über 50°C vermindert die Leistung des Wechselakkus. Längere Erwärmung durch Sonne oder Heizung vermeiden.

Die Anschlusskontakte an Ladegerät und Wechselakku sauber halten.

Für eine optimale Lebensdauer müssen nach dem Gebrauch die Akkus voll geladen werden. Längere Zeit nicht benutzte Wechselakkus vor Gebrauch nachladen.



Für eine möglichst lange Lebensdauer sollten die Akkus nach dem Aufladen aus dem Ladegerät entfernt werden.

Bei Lagerung des Akkus länger als 30 Tage; Akku bei ca. 27°C und trocken lagern., Akku bei ca. 30%-50% des Ladezustandes lagern., Akku alle 6 Monate erneut aufladen.

Verbrauchte Wechselakkus nicht ins Feuer oder in den Hausmüll werfen. AEG bietet eine umweltgerechte Alt-Wechselakku-Entsorgung an; bitte fragen Sie Ihren Fachhändler.

Wechselakkus nicht zusammen mit Metallgegenständen aufbewahren (Kurzschlussgefahr).

### AKKUÜBERLASTSCHUTZ

Bei Überlastung des Akkus durch sehr hohen Stromverbrauch, z.B. extrem hohe Drehmomente, Verklemmen des Einsatzwerkzeuges, plötzlichem Stopp oder Kurzschluss, stoppt das Elektrowerkzeug 2 Sekunden lang und schaltet sich selbsttätig ab. Zum Wiedereinschalten, die Batterie vom Gerät trennen und erneut einsetzen.

Unter extremen Belastungen erhitzt sich der Akku zu stark. In diesem Fall blinken alle Lampen der Ladeanzeige bis der Akku abgekühlt ist. Nach Erlöschen der Ladeanzeige kann weitergearbeitet werden. Den Akku dann in das Ladegerät stecken um ihn wieder aufzuladen und zu aktivieren.

### TRANSPORT VON LITHIUM-IONEN-AKKUS

Lithium-Ionen-Akkus fallen unter die gesetzlichen Bestimmungen zum Gefahrguttransport.

Der Transport dieser Akkus muss unter Einhaltung der lokalen, nationalen und internationalen Vorschriften und Bestimmungen erfolgen.

Verbraucher dürfen diese Akkus ohne Weiteres auf der Straße transportieren.

Der kommerzielle Transport von Lithium-Ionen-Akkus durch Speditionsunternehmen unterliegt den Bestimmungen des Gefahrguttransports. Die Versandvorbereitungen und der Transport dürfen ausschließlich von entsprechend geschulten Personen durchgeführt werden. Der gesamte Prozess muss fachmännisch begleitet werden.

Folgende Punkte sind beim Transport von Akkus zu beachten:

Stellen Sie sicher, dass die Kontakte geschützt und isoliert sind, um Kurzschlüsse zu vermeiden. Achten Sie darauf, dass der Akkupack innerhalb der Verpackung nicht verrutschen kann. Beschädigte oder auslaufende Akkus dürfen nicht transportiert werden. Wenden Sie sich für weitere Hinweise an Ihr Speditionsunternehmen.

### WIEDERANLAUFSCHUTZ

Nullspannungsschalter verhindert ein Wiederanlaufen der Maschine nach einer Stromunterbrechung (Batteriewechsel).

Bei erneuter Arbeitsaufnahme Maschine ausschalten und wieder einschalten.

### SANFTANLAUF

Elektronischer Sanftanlauf für sichere Handhabung verhindert beim Einschalten ein ruckartiges Anlaufen der Maschine.

### WARTUNG

Vor allen Arbeiten am Gerät den Wechselakku herausnehmen.

Stets die Lüftungsschlitze der Maschine sauber halten.

Nur AEG Zubehör und Ersatzteile verwenden. Bauteile, deren Austausch nicht beschrieben wurde, bei einer AEG Kundendienststelle auswechseln lassen (Broschüre Garantie/Kundendienstadressen beachten).

Bei Bedarf kann eine Explosionszeichnung des Gerätes unter Angabe der Maschinen Type und der sechsstelligen Nummer auf dem Leistungsschild bei Ihrer Kundendienststelle oder direkt bei Techtronic Industries GmbH, Max-Eyth-Straße 10, 71364 Winnenden, Germany angefordert werden.

### CE-KONFORMITÄTSERKLÄRUNG

Wir erklären in alleiniger Verantwortung, dass das unter „Technische Daten“ beschriebene Produkt mit allen relevanten Vorschriften der Richtlinien

2011/65/EU (RoHS)

2006/42/EG

2014/30/EU

und den folgenden harmonisierten normativen Dokumenten übereinstimmt

EN 60745-1:2009 + A11:2010

EN 60745-2-3:2011 + A2:2013 + A11:2014 + A12:2014 + A13:2015

EN 55014-1:2017

EN 55014-2:2015

EN 50581:2012



Winnenden, 2018-08-16

Alexander Krug / Managing Director

Bevollmächtigt die technischen Unterlagen zusammenzustellen.

Techtronic Industries GmbH

Max-Eyth-Straße 10, 71364 Winnenden, Germany

## SYMBOLE



ACHTUNG! WARNUNG! GEFAHR!



Bitte lesen Sie die Gebrauchsanweisung vor Inbetriebnahme sorgfältig durch.



Beim Arbeiten mit der Maschine stets Schutzbrille tragen.



Schutzhandschuhe tragen!



Vor allen Arbeiten am Gerät den Wechselakku herausnehmen.



ANTI Vibrations System



Keine Kraft anwenden.



Nur für Trennarbeiten.



Nur für Schleifarbeiten.



Drücken sie während des Start und während des Auslaufens nicht die Spindelarrretierung.



Zubehör - Im Lieferumfang nicht enthalten, empfohlene Ergänzung aus dem Zubehörprogramm.



Ersatzteil- Im Lieferumfang nicht enthalten, Ergänzung aus dem Bereich Ersatzteile.



Elektrogeräte, Batterien/Akkus dürfen nicht zusammen mit dem Hausmüll entsorgt werden. Elektrische Geräte und Akkus sind getrennt zu sammeln und zur umweltgerechten Entsorgung bei einem Verwertungsbetrieb abzugeben. Erkundigen Sie sich bei den örtlichen Behörden oder bei Ihrem Fachhändler nach Recyclinghöfen und Sammelstellen.

--- Gleichstrom

V Spannung

n Nenndrehzahl

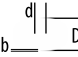
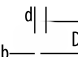


CE Europäisches Konformitätszeichen



Ukrainisches Konformitätszeichen

EAC Euroasiatisches Konformitätszeichen



CARACTÉRISTIQUES TECHNIQUES	BEWS18-115BL	BEWS18-125BL
<b>Meuleuse d'Angle sans fil</b>		
Numéro de série	4693 80 01 ... 4690 25 01 ... ... 000001-999999	4693 85 01 ... 4690 40 01 ... ... 000001-999999
Tension accu interchangeable	18 V	18 V
Vitesse de rotation nominale	11000 min <sup>-1</sup>	11000 min <sup>-1</sup>
D= Diamètre de meule max. d= Diamètre de perçage	115 mm 22,2 mm	125 mm 22,2 mm
 b= Épaisseur disque de coupe. min. / max.	1/3 mm	1/3 mm
 b= Épaisseur disque polisseur max.	6 mm	6 mm
 D= Diamètre surface de meulage max.	115 mm	125 mm
 D= Diamètre brosse métallique max.	75 mm	75 mm
Filetage de l'arbre	M 14	M 14
Poids suivant EPTA-Procédure 01/2014 (Li-Ion 1,5 Ah...9,0 Ah)	2,4 kg ... 3,1 kg	2,4 kg ... 3,1 kg
Température ambiante conseillée pour le fonctionnement	-18°C ... +50°C	-18°C ... +50°C
Batteries conseillées	L18...	L18...
Chargeurs conseillés	AL1218... / BL 1218...	AL1218... / BL 1218...
<b>Informations sur le bruit</b>		
Valeurs de mesure obtenues conformément à la EN 60745. Les mesures réelles (des niveaux acoustiques de l'appareil sont :		
Niveau de pression acoustique (Incertitude K=3dB(A))	83dB(A)	83dB(A)
Niveau d'intensité acoustique (Incertitude K=3dB(A))	84dB(A)	84dB(A)
<b>Toujours porter une protection acoustique!</b>		
<b>Informations sur les vibrations</b>		
Valeurs totales des vibrations (somme vectorielle de trois sens) établies conformément à EN 60745.		
Meulage surfacique (Li-Ion 1,5 Ah): Valeur d'émission vibratoire a <sub>n,AG</sub>	9,4m/s <sup>2</sup>	9,4m/s <sup>2</sup>
Incertitude K=	1,5 m/s <sup>2</sup>	1,5 m/s <sup>2</sup>
Polissage avec feuille abrasive (Li-Ion 1,5 Ah): Valeur d'émission vibratoire a <sub>n,DS</sub>	5,7m/s <sup>2</sup>	5,7m/s <sup>2</sup>
Incertitude K=	1,5 m/s <sup>2</sup>	1,5 m/s <sup>2</sup>

Des valeurs de vibration différentes peuvent se présenter pendant d'autres applications, comme par exemple le tronçonnage ou le polissage avec la brosse à fils métalliques !

#### AVERTISSEMENT concernant les vibrations !

Le niveau vibratoire indiqué dans ces instructions a été mesuré selon un procédé de mesure normalisé dans la norme EN 60745 et peut être utilisé pour comparer des outils électriques entre eux. Il convient aussi à une estimation provisoire de la sollicitation par les vibrations.

Le niveau vibratoire indiqué représente les applications principales de l'outil électrique. Toutefois, si l'outil électrique est utilisé pour d'autres applications, avec des outils rapportés qui diffèrent ou une maintenance insuffisante, il se peut que le niveau vibratoire diverge. Cela peut augmenter nettement la sollicitation par les vibrations sur tout l'intervalle de temps du travail.

Pour une estimation précise de la sollicitation par les vibrations, on devrait également tenir compte des temps pendant lesquels l'appareil n'est pas en marche ou tourne sans être réellement en service. Cela peut réduire nettement la sollicitation par les vibrations sur tout l'intervalle de temps du travail.

Définissez des mesures de sécurité supplémentaires pour protéger l'utilisateur contre l'influence des vibrations, comme par exemple : la maintenance de l'outil électrique et des outils rapportés, le maintien au chaud des mains, l'organisation des déroulements de travail.

#### AVERTISSEMENT!

**Lisez toutes les consignes de sécurité et les instructions.** Le non-respect des avertissements et instructions indiqués ci après peut entraîner un choc électrique, un incendie et/ou de graves blessures sur les personnes.

**Bien garder tous les avertissements et instructions.**





### Description du dispositif

- |   |                                 |
|---|---------------------------------|
| ① Blocage d'arbre                                     | ⑦ Accessoires protection        |
| ② Poignée supplémentaire / AVS Poignée supplémentaire | ⑧ Bride                         |
| ③ Poignée Surface de prise isolée                     | ⑨ Écrou à embase / Écrou FIXTEC |
| ④ Bouton marche-arrêt                                 | ⑩ Batterie                      |
| ⑤ Protection de meulage                               | ⑪ Écran anti-poussière          |
| ⑥ Levier de verrouillage de la                        | ⑫ Protection de coupe           |

### INDICATIONS DE SÉCURITÉ POUR POLISSEUSE D'ANGLE

**Avertissements communs pour le meulage, le ponçage au papier de verre, les travaux avec brosses métalliques le tronçonnage :**

- a) Cet outil électrique est destiné à fonctionner comme meuleuse, ponceuse, brosse métallique, lustreuse ou outil à tronçonner. Lire toutes les mises en garde de sécurité, les instructions, les illustrations et les spécifications fournies avec cet outil électrique. Le fait de ne pas suivre toutes les instructions données cidessous peut provoquer un choc électrique, un incendie et/ou une blessure grave.
- b) Cet outil électrique ne convient pas au meulage à la polissage. Les cas d'utilisation pour lesquels l'outil électrique n'est pas prévu peuvent présenter des mises en danger et être à l'origine de blessures.
- c) Ne pas utiliser d'accessoires non conçus spécifiquement et recommandés par le fabricant d'outils. Le simple fait que l'accessoire puisse être fixé à votre outil électrique ne garantit pas un fonctionnement en toute sécurité.
- d) La vitesse assignée de l'accessoire doit être au moins égale à la vitesse maximale indiquée sur l'outil électrique. Les accessoires fonctionnant plus vite que leur vitesse assignée peuvent se rompre et voler en éclat.
- e) Le diamètre extérieur et l'épaisseur de votre accessoire doivent se situer dans le cadre des caractéristiques de capacité de votre outil électrique. Les accessoires dimensionnés de façon incorrecte ne peuvent pas être protégés ou commandés de manière appropriée.

f) Les filetages des accessoires doivent coïncider avec le filetage du mandrin porte-meule. Sur les accessoires équipés de fixation à bride le trou consacré au mandrin de montage doit coïncider avec le diamètre de la bride de fixation. Des accessoires non aptes au mandrin de fixation du dispositif tourneront d'une manière excentrique, vibreront excessivement et ils pourront comporter la perte du contrôle de l'appareil.

g) Ne pas utiliser d'accessoire endommagé. Avant chaque utilisation examiner les accessoires comme les meules abrasives pour détecter la présence éventuelle de copeaux et fissures, les patins d'appui pour détecter des traces éventuelles de fissures, de déchirure ou d'usure excessive, ainsi que les brosses métalliques pour détecter des fils desserrés ou fissurés. Si l'outil électrique ou l'accessoire a subi une chute, examiner les dommages éventuels ou installer un accessoire non endommagé. Après examen et installation d'un accessoire, placez-vous ainsi que les personnes présentes à distance du plan de l'accessoire rotatif et faire marcher l'outil électrique à vitesse maximale à vide pendant 1 min. Les accessoires endommagés seront normalement détruits pendant cette période d'essai.

h) Porter un équipement de protection individuelle. En fonction de l'application, utiliser un écran facial, des lunettes de sécurité ou des verres de sécurité. Le cas échéant, utiliser un masque antipoussières, des protections auditives, des gants et un tablier capables d'arrêter les petits fragments abrasifs ou des pièces à usiner. La protection oculaire doit être capable d'arrêter les débris volants produits par les diverses opérations. Le masque antipoussières ou le respirateur doit être capable de filtrer les particules produites par vos travaux. L'exposition prolongée aux bruits de forte intensité peut provoquer une perte de l'audition.

i) Maintenir les personnes présentes à une distance de sécurité par rapport à la zone de travail. Toute personne entrant dans la zone de travail doit porter un équipement de protection individuelle. Des fragments de pièce à usiner ou d'un accessoire cassé peuvent être projetés et provoquer des blessures en dehors de la zone immédiate d'opération.

j) Maintenez l'appareil par les surfaces de poignée isolées lorsque vous exécutez des travaux pendant lesquels l'outil de coupe peut toucher des lignes électriques dissimulées. Le contact de l'outil de coupe avec un câble qui conduit la tension peut mettre les pièces métalliques de l'appareil sous tension et mener à une décharge électrique.

k) Ne jamais poser l'appareil électrique avant que l'outil rapporté soit entièrement à l'arrêt. L'accessoire de rotation peut agripper la surface et arracher l'outil électrique hors de votre contrôle.

l) Ne pas faire fonctionner l'outil électrique en le portant sur le côté. Un contact accidentel avec l'accessoire de rotation pourrait accrocher vos vêtements et attirer l'accessoire sur vous.

m) Nettoyer régulièrement les orifices d'aération de l'outil électrique. Le ventilateur du moteur attirera la poussière à l'intérieur du boîtier et une accumulation excessive de poudre de métal peut provoquer des dangers électriques.

n) Ne pas faire fonctionner l'outil électrique à proximité de matériaux inflammables. Des étincelles pourraient enflammer ces matériaux.

o) Ne pas utiliser d'accessoires qui nécessitent des réfrigérants fluides. L'utilisation d'eau ou d'autres réfrigérants fluides peut aboutir à une électrocution ou un choc électrique.

### Rebonds et mises en garde correspondantes

Le rebond est une réaction soudaine au pincement ou à l'accrochage d'une meule rotative, d'un patin d'appui, d'une brosse



ou de tout autre accessoire. Le pincement ou l'accrochage provoque un blocage rapide de l'accessoire en rotation qui, à son tour, contraint l'outil électrique hors de contrôle dans le sens opposé de rotation de l'accessoire au point du grippage.

Par exemple, si une meule abrasive est accrochée ou pincée par la pièce à usiner, le bord de la meule qui entre dans le point de pincement peut creuser la surface du matériau, provoquant des sauts ou l'expulsion de la meule. La meule peut sauter en direction de l'opérateur ou encore en s'en éloignant, selon le sens du mouvement de la meule au point de pincement. Les meules abrasives peuvent également se rompre dans ces conditions.

Le rebond résulte d'un mauvais usage de l'outil et/ou de procédures ou de conditions de fonctionnement incorrectes et peut être évité en prenant les précautions appropriées spécifiées ci-dessous.

**a) Maintenir fermement l'outil électrique et placer votre corps et vos bras pour vous permettre de résister aux forces de rebond. Toujours utiliser une poignée auxiliaire, le cas échéant, pour une maîtrise maximale du rebond ou de la réaction de couple au cours du démarrage.** L'opérateur peut maîtriser les couples de réaction ou les forces de rebond, si les précautions qui s'imposent sont prises.

**b) Ne jamais placer votre main à proximité de l'accessoire en rotation.** L'accessoire peut effectuer un rebond sur votre main.

**c) Ne pas vous placer dans la zone où l'outil électrique se déplacera en cas de rebond.** Le rebond pousse l'outil dans le sens opposé au mouvement de la meule au point d'accrochage.

**d) Apporter un soin particulier lors de travaux dans les coins, les arêtes vives etc. Éviter les rebondissements et les accrochages de l'accessoire.** Les coins, les arêtes vives ou les rebondissements ont tendance à accrocher l'accessoire en rotation et à provoquer une perte de contrôle ou un rebond.

**e) N'utilisez pas de lames de scie à chaîne ou dentées.** Ce type d'outil rapporté provoque fréquemment des contrecoups et une perte de contrôle de l'outil électrique.

#### Mises en garde de sécurité spécifiques aux opérations de meulage et de tronçonnage abrasif :

**a) Le protecteur doit être solidement fixé à l'outil électrique et placé en vue d'une sécurité maximale, de sorte que l'opérateur soit exposé le moins possible à la meule.** Le protecteur permet de protéger l'opérateur des fragments de meule cassée et d'un contact accidentel avec la meule.

**b) Les disques polisseurs à moyeu déporté devront être montés d'une façon telle que la surface de polissage ne dépasse pas le niveau du bord du protecteur.** Un disque polisseur non correctement monté dépassant le niveau du bord du protecteur ne pourra pas être protégé suffisamment.

**c) Utiliser uniquement des types de meules recommandés pour votre outil électrique et le protecteur spécifique conçu pour la meule choisie.** Les meules pour lesquelles l'outil électrique n'a pas été conçu ne peuvent pas être protégées de façon satisfaisante et sont dangereuses.

**d) Les meules doivent être utilisées uniquement pour les applications recommandées. Par exemple : ne pas meuler avec le côté de la meule à tronçonner.** Les meules à tronçonner abrasives sont destinées au meulage périphérique, l'application de forces latérales à ces meules peut les briser en éclats.

**e) Toujours utiliser des flasques de meule non endommagés qui sont de taille et de forme correctes pour la meule que vous avez choisie.** Des flasques de meule appropriés supportent la meule réduisant ainsi la possibilité de rupture de la meule. Les flasques pour

les meules à tronçonner peuvent être différents des autres flasques de meule.

**f) Ne pas utiliser de meules usées d'outils électriques plus grands.** La meule destinée à un outil électrique plus grand n'est pas appropriée pour la vitesse plus élevée d'un outil plus petit et elle peut éclater.

#### Mises en garde de sécurité additionnelles spécifiques aux opérations de tronçonnage abrasif

**a) Ne pas « coincer » la meule à tronçonner ou ne pas appliquer une pression excessive. Ne pas tenter d'exécuter une profondeur de coupe excessive.** Une contrainte excessive de la meule augmente la charge et la probabilité de torsion ou de blocage de la meule dans la coupe et la possibilité de rebond ou de rupture de la meule.

**b) Ne pas vous placer dans l'alignement de la meule en rotation ni derrière celle-ci.** Lorsque la meule, au point de fonctionnement, s'éloigne de votre corps, le rebond éventuel peut propulser la meule en rotation et l'outil électrique directement sur vous.

**c) Lorsque la meule se bloque ou lorsque la coupe est interrompue pour une raison quelconque, mettre l'outil électrique hors tension et tenir l'outil électrique immobile jusqu'à ce que la meule soit à l'arrêt complet. Ne jamais tenter d'enlever la meule à tronçonner de la coupe tandis que la meule est en mouvement sinon le rebond peut se produire.** Rechercher et prendre des mesures correctives afin d'empêcher que la meule ne se grippe.

**d) Ne pas reprendre l'opération de coupe dans la pièce à usiner. Laisser la meule attendre sa pleine vitesse et rentrer avec précaution dans le tronçon.** La meule peut se coincer, venir chevaucher la pièce à usiner ou effectuer un rebond si l'on fait redémarrer l'outil électrique dans la pièce à usiner.

**e) Prévoir un support de panneaux ou de toute pièce à usiner surdimensionnée pour réduire le risque de pincement et de rebond de la meule.** Les grandes pièces à usiner ont tendance à fléchir sous leur propre poids. Les supports doivent être placés sous la pièce à usiner près de la ligne de coupe et près du bord de la pièce des deux côtés de la meule.

**f) Procéder avec une précaution supplémentaire pendant l'exécution d'une « coupe de poche » dans des parois existantes ou dans des zones borgnes.** La meule saillante peut couper des tuyaux de gaz ou d'eau, des câblages électriques ou des objets, ce qui peut entraîner des rebonds.

#### Mises en garde de sécurité spécifiques aux opérations de ponçage :

**a) Ne pas utiliser de papier abrasif trop surdimensionné pour les disques de ponçage.** Suivre les recommandations des fabricants, lors du choix du papier abrasif. Un papier abrasif plus grand s'étendant au-delà du patin de ponçage présente un danger de lacération et peut provoquer un accrochage, une déchirure du disque ou un rebond.

#### Mises en garde de sécurité spécifiques aux opérations de brossage métallique :

**a) Il convient d'être conscient du fait que les crins de brosse sont maintenus par la brosse même pendant une opération ordinaire. Ne pas surcharger les câbles par l'application d'une charge excessive sur la brosse.** Les crins de brosse peuvent pénétrer aisément dans les vêtements légers et/ou dans la peau.

**b) Si l'utilisation d'un protecteur est recommandée pour le brossage métallique, ne permettre aucune gêne du touret ou de la brosse métallique au protecteur.** Le touret ou la brosse métallique peut se dilater en diamètre en raison de la charge de travail et des forces centrifuges.

### Avis complémentaires de sécurité et de travail

Toujours vérifier que le bouton de verrouillage de la broche soit entièrement relâché avant d'allumer la machine ! Après avoir utilisé le verrouillage de la broche pour serrer / desserrer le disque abrasif, il est possible que le bouton puisse se bloquer dans la position de verrouillage. Cela peut déclencher la protection de la machine ou de la batterie et mettre la machine hors tension. Mettre l'interrupteur sur arrêt, retirer la batterie, puis basculer le disque avec précaution en avant et en arrière pour relâcher le bouton de verrouillage de la broche.

Remarque: Si la protection de la batterie a été également activée, retirer simplement le pack batterie de la machine et le remplacer, en réinitialisant la protection.

L'usinage des métaux génère des étincelles. Veiller à ce que personne ne soit exposé à un danger. En raison du risque d'incendie, aucune matière inflammable ou combustible ne doit se trouver dans la zone de projection des étincelles. Ne pas utiliser d'aspirateur de poussières.

Éviter que les étincelles et la poussière produites lors du polissage entrent en contact avec le corps.

Ne jamais intervenir dans la zone dangereuse lorsque la machine est en marche.

Ne jamais enlever les copeaux ni les éclats lorsque la machine est en marche.

Arrêter la machine tout de suite lorsqu'il y a des vibrations importantes ou que d'autres défauts surgissent. Contrôler la machine afin d'en trouver les causes.

Dans le cas de conditions d'utilisation extrêmes (par exemple, pendant le polissage à la meule des métaux avec le plateau d'appui et les disques de rectification aux fibres vulcanisées), un encrassement important peut se former à l'intérieur de la meuleuse d'angle.

En raison de risques de court-circuit, veiller à ce qu'aucune pièce métallique ne pénètre dans les ouïes de ventilation.

**AVERTISSEMENT!** Pour réduire le risque d'incendie, de blessures corporelles et de dommages cau-sés par un court-circuit, ne jamais immerger l'outil, le bloc-piles ou le chargeur dans un liquide ou laisser couler un fluide à l'intérieur de celui-ci. Les fluides corrosifs ou conducteurs, tels que l'eau de mer, certains produits chimiques industriels, les produits de blanchiment ou de blanchiment, etc., peuvent provoquer un court-circuit.

Ne pas ouvrir les accus interchangeables et les chargeurs et ne les stocker que dans des locaux secs. Les protéger contre l'humidité.

Ne charger les accus interchangeables du système GBS qu'avec le chargeur d'accus du système GBS. Ne pas charger des accus d'autres systèmes.

### RISQUES RÉSIDUELS

Même lorsque la meuleuse d'angle est utilisée comme prescrit, il est quand même impossible d'éliminer complètement certains facteurs de risque résiduels. L'opérateur doit faire preuve de vigilance afin d'éviter les risques potentiels suivants :

#### **Blessure causée par la projection de particules.**

Des particules métalliques ou abrasives peuvent être projetées dans les yeux et causer de graves blessures irréversibles. Porter des lunettes-masques agréées pour toute opération de concassage à chaque utilisation de la machine

#### **Blessure causée par vibration.**

Limitier l'exposition. Voir l'AVERTISSEMENT concernant les vibrations !

#### **Blessure causée par la poussière.**

Porter un masque de contrôle de la poussière équipé de filtres adapté pour la protection contre les particules projetées par le matériau usiné et contre les particules abrasives du disque abrasif.

Ne pas manger, boire ni fumer dans la zone de travail. Assurer une ventilation adaptée.

#### **Blessure causée par le contact avec le disque abrasif.**

Le disque et la pièce usinée deviennent chauds durant l'utilisation. Porter des gants lors du changement de disque ou au contact de la pièce usinée. Garder à tout moment les mains à l'écart de la zone de meulage.

Serrer la pièce usinée le plus souvent possible.

#### **Blessure causée par le bruit.**

Une exposition prolongée au bruit augmentera le risque de dommages de l'ouïe et les effets sont cumulatifs. Dans le cas d'une utilisation prolongée des outils électriques, porter une protection auditive.

Des blessures peuvent être causées ou aggravées par l'utilisation prolongée d'un outil. Lorsque vous utilisez un outil quel qu'il soit pendant des périodes prolongées, veillez à faire régulièrement des pauses.

### UTILISATION CONFORME AUX PRESCRIPTIONS

La meuleuse d'angle est destinée au meulage et à la coupe de métaux, de pierres, de béton et de matériaux en céramique ainsi qu'au ponçage et au brossage.

Utiliser pour vos découpes le capuchon de coupe que vous trouvez dans la gamme des accessoires.

Utiliser un capot de protection fermé contenu dans le programme d'accessoires pour les travaux de tronçonnage.

Le dispositif électrique est apte exclusivement à travailler à sec.

Seuls les disques abrasifs ou de coupe appropriés et leurs protecteurs associés (protecteur de meulage ou protecteur de coupe) comme décrit dans la section de spécification du produit de ce manuel doivent être placés sur la meuleuse d'angle. La meuleuse d'angle est conçue pour être portée à la main ; elle ne doit pas être montée sur un dispositif de fixation ou un établi.

Ne pas utiliser le produit d'une autre manière que celle indiquée pour l'usage auquel il est destiné.

### CONSIGNES DE TRAVAIL

Sur les machines prévues pour les outils abrasifs à orifice fileté, vérifiez que la profondeur du filetage est suffisante pour la longueur de la broche.

Toujours utiliser et conserver les meules polisseuses et à couper conformément aux indications du fabricant.

Ne jamais travailler sans capot protecteur pour des travaux de tronçonnage et de dégrossissage.

Les disques polisseurs à moyeu déporté devront être montés d'une façon telle que la surface de polissage ne dépasse pas le niveau du bord du protecteur.

L'écrou du flasque doit être serré avant de mettre en marche la machine.

Utiliser toujours la poignée supplémentaire.



La pièce à travailler doit être fortement serrée lorsque son propre poids ne suffit pas à la maintenir. Ne jamais guider la pièce à travailler à la main vers la meule.

### ACCUS

Une température supérieure à 50°C amoindrit la capacité des accus. Éviter les expositions prolongées au soleil ou au chauffage.

Tenir propres les contacts des accus et des chargeurs.

Pour une durée de vie optimale, les accus doivent être chargés à fond après l'utilisation. Recharger les accus avant utilisation après une longue période de non utilisation.

Pour une plus longue durée de vie, enlever les batteries du chargeur de batterie quand celles-ci seront chargées.

En cas d'entreposage de la batterie pour plus de 30 jours: Entreposer la batterie à 27°C environ dans un endroit sec., Entreposer la batterie avec une charge d'environ 30% - 50%, Recharger la batterie tous les 6 mois.

Ne pas jeter les accus interchangeable usés au feu ou avec les déchets ménagers. AEG offre un système d'évacuation écologique des accus usés.

Ne pas conserver les accus interchangeables avec des objets métalliques (risque de court-circuit)

### PROTECTION DE L'ACCU CONTRE LES SURCHARGES

Au cas de surcharge de la batterie à cause d'une consommation d'énergie électrique très élevée, par ex. en présence de valeurs de couple très élevées, blocage de l'outil, arrêt soudain ou court-circuit, l'outil électrique s'arrêtera pour 2 secondes et ensuite se désactivera automatiquement. Pour réinitialiser, retirer le pack batterie de la machine et le remplacer.

Sous des sollicitations extrêmes, l'accu s'échauffe trop fortement. Dans ce cas, tous les témoins de l'indicateur de charge clignotent jusqu'à ce que l'accu se soit refroidi. Il est possible de continuer à travailler dès que l'indicateur de charge s'est éteint. Mettre alors l'accu en place dans le chargeur pour le recharger et l'activer.

### TRANSPORT DE BATTERIES LITHIUM-ION

Les batteries lithium-ion sont soumises aux dispositions législatives concernant le transport de produits dangereux.

Le transport de ces batteries devra s'effectuer dans le respect des dispositions et des normes locales, nationales et internationales.

Les utilisateurs peuvent transporter ces batteries sans restrictions.

Le transport commercial de batteries lithium-ion est réglé par les dispositions concernant le transport de produits dangereux. La préparation au transport et le transport devront être effectués uniquement par du personnel formé de façon adéquate. Tout le procédé devra être géré d'une manière professionnelle.

Durant le transport de batteries il faut respecter les consignes suivantes :

S'assurer que les contacts soient protégés et isolés en vue d'éviter des courts-circuits. S'assurer que le groupe de batteries ne puisse pas se déplacer à l'intérieur de son emballage. Des batteries endommagées ou des batteries perdant du liquide ne devront pas être transportées. Pour tout renseignement complémentaire veuillez vous adresser à votre transporteur professionnel.

### DISPOSITIF DE PROTECTION CONTRE UN REDÉMARRAGE

Un interrupteur de tension min. empêche le redémarrage de la machine après une interruption du courant électrique (remplacement des batteries).

Si le travail est repris à nouveau, il convient d'éteindre la machine et de la ré-enclencher.

### DÉMARRAGE EN DOUCEUR

Démarrage électronique en douceur garantissant un maniement fiable tout en empêchant un démarrage brusque lors de la mise en marche de la machine.

### ENTRETIEN

Avant tous travaux sur l'appareil retirer l'accu interchangeable.

Tenir toujours propres les orifices de ventilation de la machine.

N'utiliser que des pièces et accessoires AEG. Pour des pièces dont l'échange n'est pas décrit, s'adresser de préférence aux stations de service après-vente AEG (voir brochure Garantie/Adresses des stations de service après-vente).

Si besoin est, une vue éclatée de l'appareil peut être fournie. S'adresser, en indiquant bien le numéro porté sur la plaque signalétique, à votre station de service après-vente (voir liste jointe) ou directement à Techtronic Industries GmbH, Max-Eyth-Straße 10, 71364 Winnenden, Germany.

### DÉCLARATION CE DE CONFORMITÉ

Nous déclarons, sous notre responsabilité exclusive, que le produit décrit ici dans les « Caractéristiques techniques » satisfait à toutes les dispositions pertinentes des directives

2011/65/UE (RoHS)

2006/42/CE

2014/30/UE

et que les normes harmonisées suivantes ont été appliquées.

EN 60745-1:2009 + A11:2010

EN 60745-2-3:2011 + A2:2013 + A11:2014 + A12:2014 + A13:2015

EN 55014-1:2017

EN 55014-2:2015

EN 50581:2012



Winnenden, 2018-08-16

Alexander Krug / Managing Director

Autorisé à compiler la documentation technique.

Techtronic Industries GmbH

Max-Eyth-Straße 10, 71364 Winnenden, Germany



Fr

## SYMBÔLES



ATTENTION! AVERTISSEMENT! DANGER!



Veillez lire avec soin le mode d'emploi avant la mise en service



Toujours porter des lunettes protectrices en travaillant avec la machine.



Porter des gants de protection!



Avant tous travaux sur l'appareil retirer l'accumulable interchangeable.



Système ANTI-vibrations



Ne pas appliquer de la force.



Seulement pour des travaux de coupe.



Seulement pour des travaux de polissage.



Ne pas presser sur le bouton de verrouillage de la broche lors de la mise en marche ou de l'arrêt.



Accessoires - Ces pièces ne font pas partie de la livraison. Il s'agit là de compléments recommandés pour votre machine et énumérés dans le catalogue des accessoires.



Pièce de rechange - Non incluse dans l'équipement standard, disponible en pièce de rechange.



Les dispositifs électriques, les batteries et les batteries rechargeables ne sont pas à éliminer dans les déchets ménagers. Les dispositifs électriques et les batteries sont à collecter séparément et à remettre à un centre de recyclage en vue de leur élimination dans le respect de l'environnement. S'adresser aux autorités locales ou au détaillant spécialisé en vue de connaître l'emplacement des centres de recyclage et des points de collecte.

— — Courant continu

V Tension

n Vitesse de rotation nominale



Marque de conformité européenne

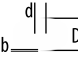
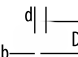
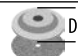



Marque de conformité ukrainienne



Marque de conformité d'Eurasie



DATI TECNICI	BEWS18-115BL	BEWS18-125BL
<b>Smerigliatrice a batteria</b>		
Numero di serie	4693 80 01 ... 4690 25 01 ... ... 000001-999999	4693 85 01 ... 4690 40 01 ... ... 000001-999999
Tensione batteria	18 V	18 V
Numero giri nominale	11000 min <sup>-1</sup>	11000 min <sup>-1</sup>
D= Diametro disco abrasivo max. d= Diametro Foro	115 mm 22,2 mm	125 mm 22,2 mm
 b= Spessore disco di taglio min. / max.	1/3 mm	1/3 mm
 b= Spessore disco levigatore max.	6 mm	6 mm
 D= Diametro superficie di molatura max.	115 mm	125 mm
 D= Diametro spazzola metallica max.	75 mm	75 mm
Passo attacco codolo	M 14	M 14
Peso secondo la procedura EPTA 01/2014 (Li-Ion 1,5 Ah ... 9,0 Ah)	2,4 kg ... 3,1 kg	2,4 kg ... 3,1 kg
Temperatura ambiente consigliata per il funzionamento	-18°C ... +50°C	-18°C ... +50°C
Batterie consigliate	L18...	L18...
Caricatori consigliati	AL1218... / BL 1218...	AL1218... / BL 1218...
<b>Informazioni sulla rumorosità</b>		
Valori misurati conformemente alla norma EN 60745. La misurazione A del livello di pressione acustica dell'utensile è di solito di:		
Livello di rumorosità (Incertezza della misura K=3dB(A))	83dB(A)	83dB(A)
Potenza della rumorosità (Incertezza della misura K=3dB(A))	84dB(A)	84dB(A)
<b>Utilizzare le protezioni per l'udito!</b>		
<b>Informazioni sulle vibrazioni</b>		
Valori totali delle oscillazioni (somma di vettori in tre direzionmisurati conformemente alla norma EN 60745		
Smerigliatrice di superfici (Li-Ion 1,5 Ah): Valore di emissione dell'oscillazione a <sub>h,AG</sub>	9,4m/s <sup>2</sup>	9,4m/s <sup>2</sup>
Incertezza della misura K=	1,5 m/s <sup>2</sup>	1,5 m/s <sup>2</sup>
Levigatura con foglio abrasivo (Li-Ion 1,5 Ah): Valore di emissione dell'oscillazione a <sub>h,DS</sub>	5,7m/s <sup>2</sup>	5,7m/s <sup>2</sup>
Incertezza della misura K=	1,5 m/s <sup>2</sup>	1,5 m/s <sup>2</sup>

Per altre applicazioni, come ad esempio troncatura alla mola o la molatura con spazzola d'acciaio, possono essere prodotti altri livelli di vibrazione!

### AVVERTENZA per le vibrazioni!

Il livello di vibrazioni indicato nelle presenti istruzioni è stato misurato in conformità con un procedimento di misurazione codificato nella EN 60745 e può essere utilizzato per un confronto tra attrezzi elettrici. Inoltre si può anche utilizzare per una valutazione preliminare della sollecitazione da vibrazioni.

Il livello di vibrazioni indicato rappresenta le applicazioni principali dell'attrezzo elettrico. Se viceversa si utilizza l'attrezzo elettrico per altri scopi, con accessori differenti o con una manutenzione insufficiente, il livello di vibrazioni può risultare diverso. E questo può aumentare decisamente la sollecitazione da vibrazioni lungo l'intero periodo di lavorazione.

Ai fini di una valutazione precisa della sollecitazione da vibrazioni si dovrebbero tenere presente anche i periodi in cui l'apparecchio rimane spento oppure, anche se acceso, non viene effettivamente utilizzato. Ciò può ridurre notevolmente la sollecitazione da vibrazioni lungo l'intero periodo di lavorazione.

Stabilite misure di sicurezza supplementari per la tutela dell'operatore dall'effetto delle vibrazioni, come ad esempio: manutenzione dell'attrezzo elettrico e degli accessori, riscaldamento delle mani, organizzazione dei processi di lavoro.

### AVVERTENZA!

**E' necessario leggere tutte le indicazioni di sicurezza e le istruzioni.** In caso di mancato rispetto delle avvertenze di pericolo e delle istruzioni operative si potrà creare il pericolo di scosse elettriche, incendi e/o incidenti gravi.

**Conservare tutte le avvertenze di pericolo e le istruzioni operative per ogni esigenza futura.**

Italiano



### Descrizione del dispositivo

- |   |                                    |
|---|------------------------------------|
| ① Blocco dell'alberino  | ⑥ Leva di blocco protezione        |
| ② Impugnatura supplementare / AVS Impugnatura supplementare Superficie di presa isolata | ⑦ Accessorio                       |
| ③ Impugnatura Superficie di presa isolata   | ⑧ Flangia                          |
| ④ Interruttore On-Off   | ⑨ Ghiera di montaggio /Dado FIXTEC |
| ⑤ Protezione antitriturazione   | ⑩ Batteria                         |
|   | ⑪ Schermo antipolvere              |
|   | ⑫ Protezione antitaglio            |

### INDICAZIONI DI SICUREZZA PER LA SMERIGLIATRICE ANGOLARE

**Istruzioni di sicurezza generali per lavori di levigatura, levigatura con carta vetrata, lavori con spazzole metalliche, troncatura:**

- a) Questo elettroutensile è previsto per essere utilizzato come levigatrice, levigatrice per carta a vetro, spazzola metallica e troncatrice. Attenersi a tutte le avvertenze di pericolo, istruzioni, rappresentazioni e dati che si ricevono insieme all' elettroutensile.** In caso di mancata osservanza delle seguenti istruzioni vi è il pericolo di provocare una scossa elettrica, di sviluppare incendi e/o di provocare seri incidenti.
- b) Questo attrezzo elettrico non è idoneo per la lucidatura.** Qualsiasi utilizzo non previsto con il presente attrezzo elettrico può causare pericolo e lesioni.
- c) Non utilizzare nessun accessorio che la casa costruttrice non abbia esplicitamente previsto e raccomandato per questo elettroutensile.** Il semplice fatto che un accessorio possa essere fissato al Vostro elettroutensile non è una garanzia per un impiego sicuro.
- d) Il numero di giri ammesso dell'accessorio impiegato deve essere almeno tanto alto quanto il numero massimo di giri riportato sull'elettroutensile.** Un accessorio che gira più rapidamente di quanto consentito può rompersi in vari pezzi e venir lanciato intorno.
- e) Il diametro esterno e lo spessore dell'accessorio montato devono corrispondere ai dati delle dimensioni dell'elettroutensile in dotazione.** In caso di utilizzo di portautensili e di accessori di dimensioni sbagliate non sarà possibile schermarli oppure controllarli a sufficienza.

**f) Le filettature degli accessori devono coincidere con la filettatura del mandrino portamolà. Sugli accessori con fissaggio a flangia il foro per il mandrino di montaggio deve coincidere con il diametro della flangia di fissaggio.** Accessori non adatti al mandrino di fissaggio del dispositivo si muoveranno in maniera eccentrica, vibreranno eccessivamente e potranno comportare la perdita del controllo sull'utensile.

**g) Non utilizzare mai portautensili od accessori danneggiati.** Prima di ogni utilizzo controllare i portautensili e gli accessori ed accertarsi che sui dischi abrasivi non vi siano scheggiature o crepature, che il platorello non sia soggetto ad incrinature, crepature o forte usura e che le spazzole metalliche non abbiano fili metallici allentati oppure rotti. Se l'elettroutensile oppure l'accessorio impiegato dovesse sfuggire dalla mano e cadere, accertarsi che questo non abbia subito nessun danno oppure utilizzare un accessorio intatto. Una volta controllato e montato il portautensile o accessorio, far funzionare l'elettroutensile per la durata di un minuto con il numero massimo di giri avendo cura di tenersi lontani e di impedire anche ad altre persone presenti di avvicinarsi ai portautensili o accessorio in rotazione. Nella maggior parte dei casi i portautensili o accessori danneggiati si rompono nel corso di questo periodo di prova.

**h) Indossare abbigliamento di protezione. A seconda dell'applicazione in corso utilizzare una visiera completa, maschera di protezione per gli occhi oppure occhiali di sicurezza. Per quanto necessario, portare maschere per polveri, protezione acustica, guanti di protezione oppure un grembiule speciale in grado di proteggervi da piccole particelle di levigatura o di materiale.** Gli occhi dovrebbero essere protetti da corpi estranei espulsi in aria nel corso di diverse applicazioni. La maschera antipolvere e la maschera respiratoria devono essere in grado di filtrare la polvere provocata durante l'applicazione. Esponendosi per lungo tempo ad un rumore troppo forte vi è il pericolo di perdere l'udito.

- i) Avere cura di evitare che altre persone possano avvicinarsi alla zona in cui si sta lavorando. Ogni persona che entra nella zona di operazione deve indossare un abbigliamento protettivo personale.** Frammenti del pezzo in lavorazione oppure utensili rotti possono volar via oppure provocare incidenti anche al di fuori della zona diretta di lavoro.
- j) Impugnare l'apparecchio sulle superfici di tenuta isolate mentre si eseguono lavori durante i quali l'utensile da taglio potrebbe entrare in contatto con cavi di corrente.** L'eventuale contatto dell'utensile da taglio con un cavo sotto tensione potrebbe mettere sotto tensione le parti metalliche dell'apparecchio e provocare una folgorazione.
- k) Non depositare mai l'utensile elettrico, prima che questo non si sia fermato completamente.** L'utensile in rotazione può entrare in contatto con la superficie di appoggio facendovi perdere il controllo sulla macchina pneumatica.
- l) Mai trasportare l'elettroutensile mentre questo dovesse essere ancora in funzione.** Attraverso un contatto casuale l'utensile in rotazione potrebbe fare presa sugli indumenti oppure sui capelli dell'operatore e potrebbe arrivare a ferire seriamente il corpo dell'operatore.
- m) Pulire regolarmente le feritoie di ventilazione dell'elettroutensile in dotazione.** Il ventilatore del motore attira polvere nella carcassa ed una forte raccolta di polvere di metallo può provocare pericoli di origine elettrica.
- n) Non utilizzare mai l'elettroutensile nelle vicinanze di materiali infiammabili.** Le scintille possono far prendere fuoco questi materiali.



**o) Non utilizzare mai accessori che richiedano refrigeranti liquidi.** L'utilizzo di acqua o di altri liquidi refrigeranti può provocare una scossa di corrente elettrica.

### **Contraccolpo e relative avvertenze di pericolo**

Un contraccolpo è l'improvvisa reazione in seguito ad aggancio o blocco di accessorio in rotazione come può essere un disco abrasivo, platorello, spazzola metallica ecc.. Agganciandosi oppure bloccandosi il portautensili o accessorio provoca un arresto improvviso della rotazione dello stesso. In questo caso l'operatore non è più in grado di controllare l'elettrotensile ed al punto di blocco si provoca un rimbalzo dello stesso che avviene nella direzione opposta a quella della rotazione del portautensili dell'accessorio.

Se p. es. un disco abrasivo resta agganciato o bloccato nel pezzo in lavorazione, il bordo del disco abrasivo che si abbassa nel pezzo in lavorazione può rimanere impigliato provocando in questo modo una rottura oppure un contraccolpo del disco abrasivo. Il disco abrasivo si avvicina o si allontana dall'operatore a seconda della direzione di rotazione che ha nel momento in cui si blocca. In tali situazioni è possibile che le mole abrasive possano anche rompersi.

Un contraccolpo è la conseguenza di un utilizzo non appropriato oppure non corretto dell'elettrotensile. Esso può essere evitato soltanto prendendo misure adatte di sicurezza come dalla descrizione che segue.

**a) Tenere sempre ben saldo l'elettrotensile e portare il proprio corpo e le proprie braccia in una posizione che Vi permetta di compensare le forze di contraccolpo. Se disponibile, utilizzare sempre l'impugnatura supplementare in modo da poter avere sempre il maggior controllo possibile su forze di contraccolpi oppure momenti di reazione che si sviluppano durante la fase in cui la macchina raggiunge il regime di pieno carico.** Prendendo appropriate misure di precauzione l'operatore può essere in grado di tenere sotto controllo le forze di contraccolpo e quelle di reazione a scatti.

**b) Mai avvicinare la propria mano alla zona degli utensili in rotazione.** Nel corso dell'azione di contraccolpo il portautensili o accessorio potrebbe passare sulla Vostra mano.

**c) Evitare di avvicinarsi con il proprio corpo alla zona in cui l'elettrotensile viene mosso in caso di un contraccolpo.** Un contraccolpo provoca uno spostamento improvviso dell'elettrotensile che si sviluppa nella direzione opposta a quella della rotazione della mola abrasiva al punto di blocco.

**d) Operare con particolare attenzione in prossimità di spigoli, spigoli taglienti ecc..** Avere cura di impedire che portautensili o accessori possano rimbalzare dal pezzo in lavorazione oppure possano rimanervi bloccati. L'utensile in rotazione ha la tendenza a rimanere bloccato in angoli, spigoli taglienti oppure in caso di rimbalzo. Ciò provoca una perdita del controllo oppure un contraccolpo.

**e) Non utilizzare una lama a catena oppure dentata.** Utensili di questo tipo causano spesso contraccolpi oppure comportano la perdita del controllo sull'utensile elettrico.

### **Particolari avvertenze di pericolo per operazioni di levigatura e di troncatura**

**a) Utilizzare esclusivamente utensili abrasivi che siano esplicitamente ammessi per l'elettrotensile in dotazione e sempre in combinazione con la cuffia di protezione prevista per ogni utensile abrasivo.** Utensili abrasivi che non sono previsti per l'elettrotensile non possono essere sufficientemente schermati e sono insicuri.

**b) I dischi levigatori con centro ribassato devono essere montati in maniera tale che la loro superficie di molatura non sporga oltre il livello del bordo della cuffia di protezione.** Un disco levigatore montato non correttamente che sporga oltre il livello del bordo della cuffia di protezione non potrà essere sufficientemente schermato.

**c) Utilizzare sempre la cuffia di protezione prevista per il tipo di utensile abrasivo utilizzato.** La cuffia di protezione deve essere applicata con sicurezza all'elettrotensile e regolata in modo tale da poter garantire il massimo possibile di sicurezza, cioè, che la parte dell'utensile abrasivo che senza protezione indica verso l'operatore deve essere ridotta al minimo possibile. La cuffia di protezione ha il compito di proteggere l'operatore da frammenti e da contatti accidentali con l'utensile abrasivo.

**d) Utensili abrasivi possono essere utilizzati esclusivamente per le possibilità applicative esplicitamente raccomandate. P. es.: Mai eseguire lavori di levigatura con la superficie laterale di un disco abrasivo da taglio diritto.** Mole abrasive da taglio diritto sono previste per l'asportazione di materiale con il bordo del disco. Esercitando dei carichi laterali su questi utensili abrasivi vi è il pericolo di romperli.

**e) Per la mola abrasiva selezionata, utilizzare sempre flange di serraggio che siano in perfetto stato e che siano della corretta dimensione e forma.** Flange adatte hanno una funzione di corretto supporto della mola abrasiva riducendo il più possibile il pericolo di una rottura della mola abrasiva. È possibile che vi sia una differenza tra flange per mole abrasive da taglio diritto e flange per mole abrasive di altro tipo.

**f) Non utilizzare mai mole abrasive usurate previste per elettrotensili più grandi.** Mole abrasive previste per elettrotensili più grandi non sono concepite per le maggiori velocità di elettrotensili più piccoli e possono rompersi.

### **Ulteriori avvertenze di pericolo specifiche per lavori di troncatura**

**a) Evitare che se bloquee el disco tronzador y una presión de aplicación excesiva. No intente realizar cortes demasiado profundos.** Sottoponendo la mola da taglio diritto a carico eccessivo se ne aumenta la sollecitazione e la si rende maggiormente soggetta ad angolature improprie o a blocchi venendo così a creare il pericolo di contraccolpo oppure di rottura dell'utensile abrasivo.

**b) Evitare di avvicinarsi alla zona anteriore o posteriore al disco abrasivo da taglio in rotazione.** Quando l'operatore manovra la mola da taglio diritto nel pezzo in lavorazione in direzione opposta a quella della propria persona, può capitare che in caso di un contraccolpo il disco in rotazione faccia rimbalzare con violenza l'elettrotensile verso l'operatore.

**c) Qualora il disco abrasivo da taglio diritto dovesse incepparsi oppure si dovesse interrompere il lavoro, spegnere l'elettrotensile e tenerlo fermo fino a quando il disco si sarà fermato completamente. Non tentare mai di estrarre il disco abrasivo dal taglio in esecuzione perché si potrebbe provocare un contraccolpo.** Rilevare ed eliminare la causa per il blocco.

**d) Mai rimettere l'elettrotensile in funzione fintanto che esso si trovi ancora nel pezzo in lavorazione. Prima di continuare ad eseguire il taglio procedendo con la dovuta attenzione, attendere che il disco abrasivo da taglio diritto abbia raggiunto la massima velocità.** In caso contrario è possibile che il disco resti agganciato, sbalzi dal pezzo in lavorazione oppure provochi un contraccolpo.



**e) Dotare di un supporto adatto pannelli oppure pezzi in lavorazione di dimensioni maggiori in modo da ridurre il rischio di un contraccolpo dovuto ad un disco abrasivo da taglio dritto che rimane bloccato.** Pezzi in lavorazione di dimensioni maggiori possono piegarsi sotto l'effetto del proprio peso. Provvedere a munire il pezzo in lavorazione di supporti adatti al caso specifico sia nelle vicinanze del taglio di troncatura che in quelle del bordo.

**f) Operare con particolare cautela in presenza di "tagli ciechi" in pareti esistenti o altre zone non ispezionabili.** Il disco abrasivo da taglio dritto che inizia il taglio sul materiale può provocare un contraccolpo se dovesse arrivare a trancare condutture del gas o dell'acqua, linee elettriche oppure oggetti di altro tipo.

#### **Avvertenze di pericolo specifiche per lavori di levigatura con carta vetro:**

**a) Non utilizzare mai fogli abrasivi troppo grandi ma attenersi alle indicazioni del rispettivo produttore relative alle dimensioni dei fogli abrasivi.** Fogli abrasivi che dovessero sporgere oltre il platorello possono provocare incidenti oppure blocchi, strappi dei fogli abrasivi oppure contraccolpi.

#### **Avvertenze di pericolo specifiche per lavori con spazzole metalliche:**

**a) Tenere presente che le spazzole di fili metallici perdono frammenti di filo di metallo anche durante un uso normale. Non sovraccaricare i fili metallici esercitando una eccessiva pressione.** I frammenti di fili metallici eiettati potrebbero facilmente penetrare attraverso abbigliamento leggero e/o la pelle.

**b) Impiegando una cuffia di protezione si impedisce che la cuffia di protezione e la spazzola metallica possano toccarsi.** I diametri delle spazzole a disco e delle spazzola a tazza possono essere aumentati attraverso forze di pressione e tramite l'azione di forze centrifugali.

#### **Ulteriori avvisi di sicurezza e di lavoro**

Controllare sempre se il pulsante del blocco dell'alberino è completamente rilasciato prima di accendere lo strumento! Dopo aver usato il blocco dell'alberino per serrare / allentare il disco abrasivo, è possibile che il pulsante sia in posizione di blocco. Nel mentre, ciò potrebbe causare l'azionamento della protezione dello strumento o della batteria e lo spegnimento dello strumento. Spegner l'interruttore, rimuovere la batteria e poi far oscillare con cautela il disco avanti e indietro per rilasciare il pulsante del blocco dell'alberino.

**Avviso:** Se anche la protezione della batteria è attivata, rimuovere semplicemente il pacco batteria dallo strumento e sostituirlo, resettando dunque la protezione.

Smerigliando metalli si producono scintille. Attenzione a non mettere in pericolo l'incolumità di persone. Per via del pericolo di incendio, nessun tipo di materiale infiammabile può trovarsi nelle vicinanze (potenziale raggio delle scintille). Non utilizzare aspirapolveri.

Evitare che le scintille o la polvere prodotta durante la smerigliatura entrino in contatto con il corpo.

Non entrare nel raggio d'azione dell'utensile mentre è in funzione.

Non rimuovere trucioli o schegge mentre l'utensile è in funzione.

Disinserire immediatamente la macchina in caso che si verificano delle forti oscillazioni oppure se si riscontrano altri difetti. Controllare la macchina per cercare di identificarne le cause.

In condizioni di utilizzo estreme (ad es. nella rettifica liscia di metalli con il piatto di appoggio e dischi smerigliatori in fibra vulcanizzata) si può accumulare molta sporcizia all'interno della smerigliatrice angolare.

Non lasciare che nessuna parte metallica venga a contatto con l'apertura dell'areazione - pericolo di corto circuito

**AVVERTENZA!** Per ridurre il rischio d'incendio, di lesioni o di danni al prodotto causati da corto circuito, non immergere mai l'utensile, la batteria ricaricabile o il carica batterie in un liquido e non lasciare mai penetrare alcun liquido all'interno dei dispositivi e delle batterie. I fluidi corrosivi o conduttori come acqua salata, alcuni agenti chimici, agenti candeggianti o prodotti contenenti agenti candeggianti potrebbero provocare un corto circuito.

Non aprire né la batteria né il caricatore e conservarli solo in luogo asciutto. Proteggerli dalla umidità.

Le batterie del System GBS sono ricaricabili esclusivamente con i caricatori del System GBS. Le batterie di altri sistemi non possono essere ricaricate.

#### **RISCHI RESIDUI**

Anche quando la smerigliatrice è usata come prescritto, è comunque impossibile eliminare completamente certi fattori di rischio residuo. Durante l'uso, possono sorgere i seguenti rischi e l'operatore deve prestare particolare attenzione per evitare quanto segue:

##### **Lesioni causate da particelle scagliate.**

Le particelle metalliche o abrasive potrebbero colpire gli occhi causando gravi danni permanenti.

Indossare sempre occhiali protettivi approvati per operazioni di rettifica ogni volta che si usa il prodotto

##### **Lesioni causate da vibrazioni.**

Esposizione al limite. Vedere AVVERTENZA per le vibrazioni!

##### **Lesioni causate da polvere.**

Indossare maschere appropriate di controllo antipolvere dotate di filtri adatti alla protezione da particelle di materiali su cui si lavora e da particelle abrasive del disco per molare.

Non mangiare, bere o fumare nell'area di lavoro. Assicurarsi che ci sia una ventilazione adeguata.

##### **Lesioni causate dal contatto con il disco per molare.**

Il disco e il pezzo in lavorazione diventano roventi durante l'uso.

Indossare guanti durante la sostituzione dei dischi o quando si toccano i pezzi da lavorare. Tenere sempre le mani lontano dall'area di rettifica.

Serrare sempre il pezzo da lavorare quando è possibile.

##### **Lesioni causate dal rumore.**

L'esposizione prolungata al rumore aumenta il rischio di danni all'udito e gli effetti sono cumulativi. Quando si utilizzano elettro-utensili per un periodo di tempo prolungato, indossare la protezione dell'udito.

L'uso prolungato di un utensile può provocare o aggravare lesioni. Quando si usa un utensile per periodi prolungati, si raccomanda di fare delle pause regolari.



## UTILIZZO CONFORME

La smerigliatrice serve a rettificare e tagliare metallo, pietra, calcestruzzo e materiali in ceramica, nonché per eseguire operazioni di sabbiatura e spazzolatura con spazzola metallica.

Utilizzare il tappo del taglio dalla gamma di accessori per applicazioni da taglio.

In caso di dubbi vanno rispettate le indicazioni dei produttori degli accessori.

L'utensile elettrico è idoneo esclusivamente alla lavorazione a secco.

Si raccomanda di fissare nella smerigliatrice solo dischi per molare e dischi di taglio, assieme alle relative protezioni (protezione di rettifica o di taglio), come descritto nella sezione del presente manuale inerente alla specifiche del prodotto. La smerigliatrice è progettata per essere usata a mano; non deve essere montata su un apparecchio o su un banco da lavoro.

Non utilizzare il prodotto in altri modi diversi da quelli indicati per l'uso previsto.

## ISTRUZIONI DI LAVORO

Per gli utensili previsti per il montaggio con mola con foro filettato, verificare che la filettatura della mola sia sufficientemente lunga da consentire l'inserimento del mandrino.

Utilizzare e conservare le mole smerigliatrici e da taglio sempre conformemente alle indicazioni della casa costruttrice.

Per sgrossare e tagliare utilizzare sempre la calotta di protezione.

I dischi levigatori con centro ribassato devono essere montati in maniera tale che la loro superficie di molatura non sporga oltre il livello del bordo della cuffia di protezione.

Il dado flangiato deve essere serrato prima dell'utilizzo della macchina.

Utilizzare sempre l'impugnatura laterale.

Il pezzo in lavorazione deve essere ben bloccato in posizione a meno che non resti stabile per via del proprio peso. Mai applicare a mano sulla mola il pezzo in lavorazione.

## BATTERIE

A temperature superiori ai 50°C, la potenza della batteria si riduce.

Evitare di esporre l'accumulatore a surriscaldamento prolungato, dovuto ad esempio ai raggi del sole o ad un impianto di riscaldamento.

Per una ottimale vita utile è necessario ricaricare completamente le batterie dopo l'uso. Batterie non utilizzate per molto tempo devono essere ricaricate prima dell'uso.

Per una più lunga durata, rimuovere le batterie dal caricabatterie quando saranno cariche.

In caso di immagazzinaggio della batteria per più di 30 giorni, immagazzinare la batteria a circa 27°C in ambiente asciutto., Immagazzinare la batteria con carica di circa il 30% - 50%, Ricaricare la batteria ogni 6 mesi.

Si prega di leggere con attenzione le istruzioni riguardanti la sicurezza, nel volantino allegato.

Nel vano d'innesto per la batteria del caricatore non devono entrare parti metalliche.(pericolo di cortocircuito).

## DISPOSITIVO ANTISOVRACCARICO ACCUMULATORE

In caso di sovraccarico della batteria a causa di consumo elettrico molto elevato, ad es. per valori di coppia molto elevati, inceppamento dell'utensile ad inserto, arresto improvviso o corto circuito, l'elettrodotensile si arresta per 2 secondi e si disattiva automaticamente. Per resettare, rimuovere il pacco batteria dall'utensile e sostituirlo.

Se sottoposto a sollecitazioni estreme l'accumulatore si riscalda eccessivamente. In questo caso lampeggiano tutte le spie del display di carica finché l'accumulatore non è raffreddato. Quando il display di carica si spegne si può continuare a lavorare. Inserire l'accumulatore nell'apparecchio carica-batterie per ricaricarlo e attivarlo.

## TRASPORTO DI BATTERIE AGLI IONI DI LITIO

Le batterie agli ioni di litio sono soggette alle disposizioni di legge sul trasporto di merce pericolosa.

Il trasporto di queste batterie deve avvenire rispettando le disposizioni e norme locali, nazionali ed internazionali.

Gli utilizzatori possono trasportare queste batterie su strada senza alcuna restrizione.

Il trasporto commerciale di batterie agli ioni di litio è regolato dalle disposizioni sul trasporto di merce pericolosa. Le preparazioni al trasporto ed il trasporto stesso devono essere svolti esclusivamente da persone idoneamente istruite. Tutto il processo deve essere gestito in maniera professionale.

Durante il trasporto di batterie occorre tenere conto di quanto segue:

Assicurarsi che i contatti siano protetti ed isolati per evitare corto circuiti. Accertarsi che il gruppo di batterie non possa spostarsi all'interno dell'imballaggio. Batterie danneggiate o batterie che perdono liquido non devono essere trasportate. Per ulteriori informazioni si prega di contattare il proprio trasportatore.

## PROTEZIONE CONTRO IL RIAVVIO

Un interruttore di minima tensione impedisce la ripartenza della macchina dopo un'interruzione della corrente elettrica (sostituzione batterie).

Se si riprende nuovamente a lavorare, spegnere e riaccendere la macchina.

## AVVIAMENTO GRADUALE

Avviamento elettronico graduale, non brusco, per garantire una presa più sicura

## MANUTENZIONE

Prima di iniziare togliere la batteria dalla apparecchiatura.

Tener sempre ben pulite le fessure di ventilazione dell'apparecchio.

Utilizzare esclusivamente accessori e pezzi di ricambio AEG.

L'installazione di pezzi di ricambio non specificamente prescritti dall'AEG va preferibilmente effettuata dal servizio di assistenza clienti AEG (ved. opuscolo Garanzia/Indirizzi Assistenza tecnica).

In caso di mancanza del disegno esploso, può essere richiesto al seguente indirizzo: Techtronic Industries GmbH, Max-Eyth-Straße 10, 71364 Winnenden, Germany.



## DICHIARAZIONE DI CONFORMITÀ CE

Assumendone la piena responsabilità, dichiariamo che il prodotto descritto nei "Dati tecnici" è conforme alle pertinenti disposizioni delle direttive  
2011/65/UE (RoHS)  
2006/42/CE  
2014/30/UE  
e che sono state applicate le seguenti norme armonizzate  
EN 60745-1:2009 + A11:2010  
EN 60745-2-3:2011 + A2:2013 + A11:2014 + A12:2014 + A13:2015  
EN 55014-1:2017  
EN 55014-2:2015  
EN 50581:2012



Winnenden, 2018-08-16

Alexander Krug / Managing Director  
Autorizzato alla preparazione della documentazione tecnica  
Techtronic Industries GmbH  
Max-Eyth-Straße 10, 71364 Winnenden, Germany

## SIMBOLI



ATTENZIONE! AVVERTENZA! PERICOLO!



Leggere attentamente le istruzioni per l'uso prima di mettere in funzione l'elettrotensile.



Durante l'uso dell'apparecchio utilizzare sempre gli occhiali di protezione.



Indossare guanti protettivi!



Prima di iniziare togliere la batteria dalla apparecchiatura.



Sistema ANTI-vibrazione



Non applicare forza.



Solo per lavori di taglio.



Solo per lavori di smerigliatura.



Non premere il pulsante del blocco dell'alberino durante l'avvio e l'operazione di spegnimento.



Accessorio - Non incluso nella dotazione standard, disponibile a parte come accessorio.



Pezzo di ricambio - Non incluso nella dotazione standard, disponibile come pezzo di ricambio.



I dispositivi elettrici, le batterie e le batterie ricaricabili non devono essere smaltiti con i rifiuti domestici. I dispositivi elettrici e le batterie devono essere raccolti separatamente e devono essere conferiti ad un centro di riciclaggio per lo smaltimento rispettoso dell'ambiente. Chiedere alle autorità locali o al rivenditore specializzato dove si trovano i centri di riciclaggio e i punti di raccolta.



Corrente continua



Voltaggio



Numero giri nominale



Marchio di conformità europeo

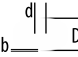
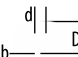




Marchio di conformità ucraino



Marchio di conformità euroasiatico



DATOS TÉCNICOS Amoladora Angular a Batería	BEWS18-115BL	BEWS18-125BL
Número de producción	4693 80 01 ... 4690 25 01 ... ... 000001-999999	4693 85 01 ... 4690 40 01 ... ... 000001-999999
Voltaje de batería	18 V	18 V
Revoluciones nominales	11000 min <sup>-1</sup>	11000 min <sup>-1</sup>
D= Diám. disco de amolado máx. d= ø del taladro	115 mm 22,2 mm	125 mm 22,2 mm
 b= espesor de la muela de tronzar mín. / máx.	1/3 mm	1/3 mm
 b= Espesor del disco abrasivo máx.	6 mm	6 mm
 D= Diámetro de las superficies de amolado máx.	115 mm	125 mm
 D= Diámetro de los cepillos metálicos máx.	75 mm	75 mm
Rosca de eje de trabajo	M 14	M 14
Peso de acuerdo con el procedimiento EPTA 01/2014 (Li-Ion 1,5 Ah...9,0 Ah)	2,4 kg ... 3,1 kg	2,4 kg ... 3,1 kg
Temperatura ambiente recomendada para la operación	-18°C ... +50°C	-18°C ... +50°C
Juegos de baterías recomendados	L18...	L18...
Cargadores recomendados	AL1218... / BL 1218...	AL1218... / BL 1218...
<b>Información sobre ruidos</b>		
Determinación de los valores de medición según norma EN 60745. El nivel de ruido típico del aparato determinado con un filtro A corresponde a:		
Presión acústica (Tolerancia K=3dB(A))	83dB(A)	83dB(A)
Resonancia acústica (Tolerancia K=3dB(A))	84dB(A)	84dB(A)
<b>Usar protectores auditivos!</b>		
<b>Informaciones sobre vibraciones</b>		
Nivel total de vibraciones (suma vectorial de tres direcciones) determinado según EN 60745.		
Lijado de superficies (Li-Ion 1,5 Ah): Valor de vibraciones generadas a <sub>h,AG</sub>	9,4m/s <sup>2</sup>	9,4m/s <sup>2</sup>
Tolerancia K=	1,5 m/s <sup>2</sup>	1,5 m/s <sup>2</sup>
aAolado con hoja lijadora (Li-Ion 1,5 Ah: Valor de vibraciones generadas a <sub>h,DS</sub>	5,7m/s <sup>2</sup>	5,7m/s <sup>2</sup>
Tolerancia K=	1,5 m/s <sup>2</sup>	1,5 m/s <sup>2</sup>

En el caso de otras aplicaciones, como p. ej. el tron zamiento con la muela o el esmerilado con cepillo de alambre de acero pueden resultar otros valores de vibración.

### ¡ADVERTENCIA para la vibración!

El nivel vibratorio indicado en estas instrucciones ha sido medido conforme a un método de medición estandarizado en la norma EN 60745, y puede utilizarse para la comparación entre herramientas eléctricas. También es apropiado para una estimación provisional de la carga de vibración.

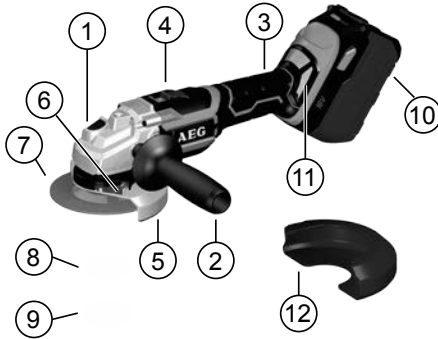
El nivel vibratorio indicado representa las aplicaciones principales de la herramienta eléctrica. Si, pese a ello, se utiliza la herramienta eléctrica para otras aplicaciones, con útiles adaptables diferentes o con un mantenimiento insuficiente, el nivel vibratorio puede diferir. Esto puede incrementar sensiblemente la carga de vibración durante todo el periodo de trabajo.

Para una estimación exacta de la carga de vibración deberían tenerse en cuenta también los tiempos durante los que el aparato está apagado o, pese a estar en funcionamiento, no está siendo realmente utilizado. Esto puede reducir sustancialmente la carga de vibración durante todo el periodo de trabajo.

Adopte medidas de seguridad adicionales para la protección del operador frente al efecto de las vibraciones, como por ejemplo: mantenimiento de la herramienta eléctrica y de los útiles adaptables, mantener las manos calientes, organización de los procesos de trabajo.

## **⚠ ADVERTENCIA!**

**Rogamos leer las indicaciones de seguridad y las instrucciones.** En caso de no atenerse a las advertencias de peligro e instrucciones siguientes, ello puede ocasionar una descarga eléctrica, un incendio y/o lesión grave.  
**Guardar todas las advertencias de peligro e instrucciones para futuras consultas.**



### Descripción del dispositivo

- |   |  |
|---|--|
| 1 Bloqueo de husillo  | 7 Accesorio                            |
| 2 Empuñadura adicional /<br>AVS Empuñadura adicional<br>Superficie de agarre con<br>aislamiento | 8 Brida                                |
| 3 Manija Superficie de agarre<br>con aislamiento  | 9 Tuerca con reborde /Tuerca<br>FIXTEC |
| 4 Interruptor ON/OFF  | 10 Batería                             |
| 5 Protección de rectificad  | 11 Pantalla antipolvo                  |
| 6 Palanca de bloqueo de la  | 12 Protección de corte                 |

## **⚠ INSTRUCCIONES DE SEGURIDAD PARA LA AMOLADORA DE ÁNGULO**

**Advertencias de peligro generales al realizar trabajos de amolado, lijado, con cepillos de alambre, tronzado:**

- a) Esta herramienta eléctrica ha sido concebida para amolar, lijar, trabajar con cepillos de alambre y tronzar. Observe todas las advertencias de peligro, instrucciones, ilustraciones y especificaciones técnicas que se suministran con la herramienta eléctrica.** En caso de no atenerse a las instrucciones siguientes, ello puede provocar una electrocución, incendio y/o lesiones serias.
- b) Esta herramienta eléctrica no es adecuada para pulir.** El uso de la herramienta para un fin no previsto puede conllevar riesgos y causar heridas.
- c) No emplee accesorios diferentes de aquellos que el fabricante haya previsto o recomendado especialmente para esta herramienta eléctrica.** El mero hecho de que sea acoplable un accesorio a su herramienta eléctrica no implica que su utilización resulte segura.

**d) Las revoluciones admisibles del útil deberán ser como mínimo iguales a las revoluciones máximas indicadas en la herramienta eléctrica.** Aquellos accesorios que giren a unas revoluciones mayores a las admisibles pueden llegar a romperse y salir despedidos.

**e) El diámetro exterior y el grosor del útil deberán corresponder con las medidas indicadas para su herramienta eléctrica.** Los útiles de dimensiones incorrectas no pueden protegerse ni controlarse con suficiente seguridad.

**f) Las roscas de los accesorios deben concordar con las rosas del husillo portamuela. En los accesorios que se sujetan por bridas, el agujero para el mandril de sujeción debe concordar en el accesorio con el diámetro de la brida de localización.** Los accesorios que no se acoplen perfectamente en el mandril de montaje del aparato se desequilibran, vibran excesivamente y pueden causar la pérdida de control sobre la herramienta.

**g) No use útiles dañados.** Antes de cada uso inspeccione el estado de los útiles con el fin de detectar, p. ej., si están desportillados o fisurados los útiles de amolar, si está agrietado o muy desgastado el plato lijador, o si las púas de los cepillos de alambre están flojas o rotas. Si se le cae la herramienta eléctrica o el útil, inspeccione si han sufrido algún daño o monte otro útil en correctas condiciones. Una vez controlado y montado el útil sítuse Vd. y las personas circundantes fuera del plano de rotación del útil y deje funcionar la herramienta eléctrica en vacío, a las revoluciones máximas, durante un minuto. Por lo regular, aquellos útiles que estén dañados suelen romperse al realizar esta comprobación.

**h) Utilice un equipo de protección personal. Dependiendo del trabajo a realizar use una careta, una protección para los ojos, o unas gafas de protección. Si procede, emplee una mascarilla antipolvo, protectores auditivos, guantes de protección o un mandil especial adecuado para protegerle de los pequeños fragmentos que pudieran salir proyectados al desprenderse del útil o pieza.** Las gafas de protección deberán ser indicadas para protegerle de los fragmentos que pudieran salir despedidos al trabajar. La mascarilla antipolvo o respiratoria deberá ser apta para filtrar las partículas producidas al trabajar. La exposición prolongada al ruido puede provocar sordera.

**i) Cuide que las personas en las inmediaciones se mantengan a suficiente distancia de la zona de trabajo. Toda persona que acceda a la zona de trabajo deberá utilizar un equipo de protección personal.** Podrían ser lesionadas, incluso fuera del área de trabajo inmediato, al salir proyectados fragmentos de la pieza de trabajo o del útil.

**j) Sujete el aparato de las superficies aisladas de agarre al efectuar trabajos en los cuales la perforadora de percusión pueda entrar en contacto con conductores de corriente ocultos.** El contacto de la perforadora de percusión con un conducto con energía aplicada también podrá poner bajo tensión partes metálicas del aparato y causar un choque eléctrico.

**k) No deposite jamás la herramienta eléctrica antes de que la herramienta intercambiable haya dejado de girar por completo.** El útil en funcionamiento puede llegar a tocar la base de apoyo y hacerle perder el control sobre la herramienta eléctrica.

**l) No deje funcionar la herramienta eléctrica mientras la transporta.** El útil en funcionamiento podría lesionarle al engancharse accidentalmente con su vestimenta.

**m) Limpie periódicamente las rejillas de refrigeración de su herramienta eléctrica.** El ventilador del motor aspira polvo hacia el interior de la carcasa, por lo que, en caso de una acumulación fuerte de polvo metálico, ello puede provocarle una descarga eléctrica.



**n) No utilice la herramienta eléctrica cerca de materiales combustibles.** Las chispas producidas al trabajar pueden llegar a incendiar estos materiales.

**o) No emplee útiles que requieran ser refrigerados con líquidos.** La aplicación de agua u otros refrigerantes líquidos puede comportar una descarga eléctrica.

### Causas del rechazo y advertencias al respecto

El rechazo es un reacción brusca que se produce al atascarse o engancharse el útil, como un disco de amolar, plato lijador, cepillo, etc. Al atascarse o engancharse el útil en funcionamiento, éste es frenado bruscamente. Ello puede hacerle perder el control sobre la herramienta eléctrica y hacer que ésta salga impulsada en dirección opuesta al sentido de giro que tenía el útil.

En el caso, p. ej., de que un disco amolador se atasque o bloquee en la pieza de trabajo, puede suceder que el canto del útil que penetra en el material se enganche, provocando la rotura del útil o el rechazo del aparato. Según el sentido de giro y la posición del útil en el momento de bloquearse puede que éste resulte despedido hacia, o en sentido opuesto al usuario. En estos casos puede suceder que el útil incluso llegue a romperse.

El rechazo es ocasionado por la aplicación o manejo incorrecto de la herramienta eléctrica. Es posible evitarlo ateniéndose a las medidas preventivas que a continuación se detallan.

**a) Sujete con firmeza la herramienta eléctrica y mantenga su cuerpo y brazos en una posición propicia para resistir las fuerzas de reacción. Si forma parte del aparato, utilice siempre la empuñadura adicional para poder soportar mejor las fuerzas del rechazo, además de los pares de reacción que se presentan en la puesta en marcha.** El usuario puede controlar las fuerzas del rechazo y de reacción si toma unas medidas preventivas oportunas.

**b) Jamás aproxime su mano al útil en funcionamiento.** En caso de un rechazo, el útil podría lesionarle la mano.

**c) No se sitúe dentro del área hacia el que se movería la herramienta eléctrica al ser rechazada.** Al resultar rechazada, la herramienta eléctrica saldrá despedida desde el punto de bloqueo en dirección opuesta al sentido de giro del útil.

**d) Tenga especial precaución al trabajar esquinas, cantos afilados, etc. Evite que el útil de amolar rebote contra la pieza de trabajo o que se atasque.** En las esquinas, cantos afilados, o al rebotar, el útil en funcionamiento tiende a atascarse. Ello puede hacerle perder el control o causar un rechazo del útil.

**e) No use hojas de cadena cortante o dentadas.** Estas herramientas intercambiables generan con frecuencia un contragolpe o la pérdida del control sobre la herramienta eléctrica.

### Instrucciones de seguridad específicas para operaciones de amolado y tronzado

**a) Use exclusivamente útiles homologados para su herramienta eléctrica, en combinación con la caperuza protectora prevista para estos útiles.** Los útiles que no fueron diseñados para su uso en esta herramienta eléctrica pueden quedar insuficientemente protegidos y suponen un riesgo.

**b) Discos lijadores con centro rebajado deberán montarse de tal forma que su superficie abrasiva no sobresalga la superficie del borde de la cubierta protectora.** Un disco lijador montado de forma no apropiada, que sobresalga de la superficie del borde de la cubierta protectora, no podrá ser protegido de manera suficiente.

**c) Siempre emplee la caperuza protectora prevista para el útil que va a usar. La caperuza protectora deberá montarse**

**firmemente en la herramienta eléctrica cuidando que quede orientada de manera que ofrezca una seguridad máxima, o sea, cubriendo al máximo la parte del útil a la que queda expuesta el usuario.** La misión de la caperuza protectora es proteger al usuario de los fragmentos que puedan desprenderse del útil y del contacto accidental con éste.

**d) Solamente emplee el útil para aquellos trabajos para los que fue concebido. Por ejemplo, no emplee las caras de los discos tronzadores para amolar.** En los útiles de tronzar, el arranque de material se lleva a cabo con los bordes del disco. Si estos útiles son sometidos a un esfuerzo lateral, ello puede provocar su rotura.

**e) Siempre use para el útil seleccionado una brida en perfecto estado con las dimensiones y forma correctas.** Una brida adecuada soporta convenientemente el útil reduciendo así el peligro de rotura. Las bridas para discos tronzadores pueden ser diferentes de aquellas para otros discos de amolar.

**f) No intente aprovechar los discos amoladores de otras herramientas eléctricas más grandes, aunque su diámetro exterior se haya reducido suficientemente por el desgaste.**

Los discos amoladores destinados para herramientas eléctricas grandes no son aptos para soportar las velocidades periféricas más altas a las que trabajan las herramientas eléctricas más pequeñas, y pueden llegar a romperse.

### Instrucciones de seguridad adicionales específicas para el tronzado

**a) Evite que se bloquee el disco tronzador y una presión de aplicación excesiva. No intente realizar cortes demasiado profundos.** Al solicitar en exceso el disco tronzador éste es más propenso a ladearse, bloquearse, a ser rechazado, o a romperse.

**b) No se coloque delante o detrás del disco tronzador en funcionamiento, alineado con la trayectoria del corte.** Mientras que al cortar, el disco tronzador es guiado en sentido opuesto a su cuerpo, en caso de un rechazo el disco tronzador y la herramienta eléctrica son impulsados directamente contra Vd.

**c) Si el disco tronzador se bloquea, o si tuviese que interrumpir su trabajo, desconecte la herramienta eléctrica y manténgala en esa posición, sin moverla, hasta que el disco tronzador se haya detenido por completo. Jamás intente sacar el disco tronzador en marcha de la ranura de corte, ya que ello podría provocar un rechazo.** Investigue y subsane la causa del bloqueo.

**d) No intente proseguir el corte, estando insertado el disco tronzador en la ranura de corte. Una vez fuera de la ranura de corte, espere a que el disco tronzador haya alcanzado las revoluciones máximas, y prosiga entonces el corte con cautela.** En caso contrario el disco tronzador podría bloquearse, salirse de la ranura de corte, o resultar rechazado.

**e) Soporte las planchas u otras piezas de trabajo grandes para reducir el riesgo de bloqueo o rechazo del disco tronzador.**

Las piezas de trabajo grandes tienden a curvarse por su propio peso. La pieza de trabajo deberá apoyarse desde abajo a ambos lados tanto cerca de la línea de corte como en los bordes.

**f) Proceda con especial cautela al realizar recortes „por inmersión“ en paredes existentes o en zonas de reducida visibilidad.** El disco tronzador puede ser rechazado al tocar tuberías de gas o agua, conductores eléctricos, u otros objetos.

### Instrucciones de seguridad específicas para trabajos con hojas lijadoras:

**a) No use hojas lijadoras más grandes que el soporte, ateniéndose para ello a las dimensiones que el fabricante recomienda.** Las hojas lijadoras de un diámetro mayor que el



plato lijador pueden provocar un accidente, fisurarse, o provocar un rechazo.

### Instrucciones de seguridad específicas para el trabajo con cepillos de alambre:

- a) Tenga en cuenta que las púas de los cepillos de alambre pueden desprenderse también durante un uso normal. No fuerce las púas ejerciendo una fuerza de aplicación excesiva.** Las púas desprendidas pueden traspasar muy fácilmente tela delgada y/o la piel.
- b) En caso de recomendarse el uso de una caperuz protectora, evite que el cepillo de alambre alcance a rozar contra la caperuz protectora.** Los cepillos de plato y de vaso pueden aumentar su diámetro por efecto de la presión de aplicación y de la fuerza centrífuga.

### Instrucciones adicionales de seguridad y laborales

¡Siempre verifique que el botón de bloqueo del husillo esté completamente liberado antes de encender la herramienta! Después de usar el bloqueo del husillo para apretar / aflojar el disco abrasivo, puede ser que el botón se quede en la posición de bloqueo. Aunque puede hacer que la herramienta o la protección de la batería funcionen y eliminen la energía de la herramienta. Apague el interruptor, retire la batería y después sacuda cuidadosamente el disco hacia adelante y hacia atrás para soltar el botón de bloqueo del husillo. Observación: Si la protección de la batería también se ha activado, simplemente retire la batería de la herramienta y vuelva a colocarla, lo que restablecerá la protección.

Al amolar metales se proyectan chispas. Cuidar de no poner en peligro a personas. Debido al peligro de incendio no deben encontrarse cerca (en el área de alcance de las chispas) materiales inflamables. No utilice extracción de polvo en este caso.

Evite que chispas y polvo de pulido puedan alcanzar el cuerpo.

No manipular en el rodillo ni en las cuchillas con la máquina conectada.

Nunca se debe intentar limpiar el polvo o viruta procedente del taladrado con la máquina en funcionamiento.

Desconectar inmediatamente el aparato al presentarse vibraciones fuertes u otras anomalías. Examine la máquina para determinar las posibles causas.

En caso de condiciones de funcionamiento extremas (p. ej. pulido de metales con el plato soporte y discos abrasivos de fibra vulcanizada) se puede acumular mucha suciedad en el interior de la amoladora angular.

Evite que cualquier pieza metálica alcance las ranuras de ventilación - ¡peligro de cortocircuito!

**ADVERTENCIA!** Para reducir el riesgo de incendio, lesión personales y daños al producto debido a un cortocircuito, no sumerja nunca la herramienta, el paquete de baterías o el cargador en líquido ni permita que fluya un fluido dentro de ellos. Los fluidos corrosivos o conductivos, como el agua de mar, ciertos productos químicos industriales y blanqueadores o lejías que contienen, etc., Pueden causar un cortocircuito.

No abra nunca las baterías ni los cargadores y guárdelos sólo en lugares secos. Protéjalos de la humedad en todo momento.

Recargar solamente los acumuladores del Sistema GBS en cargadores GBS. No intentar recargar acumuladores de otros sistemas.

### PELIGROS RESIDUALES

Incluso si la amoladora angular se utiliza para su uso prescrito, seguirá siendo imposible eliminar completamente ciertos factores de riesgo residuales. Pueden surgir los siguientes peligros y el operario debería prestar especial atención para evitarlos:

#### Lesiones causadas por partículas expulsadas.

Las partículas metálicas o abrasivas pueden entrar a los ojos y causar un daño permanente severo.  
Use gafas aprobadas para operaciones de rectificado siempre que use el producto

#### Lesiones causadas por vibraciones.

Limite la exposición. ¡vea la ADVERTENCIA para la vibración!

#### Lesiones causadas por polvo.

Use una máscara de control antipolvo adecuada con filtros adecuados para protegerse contra partículas del material en el que se está trabajando y partículas abrasivas del disco de desbaste.

No coma, beba ni fume en el área de trabajo. Asegure una ventilación adecuada.

#### Lesiones por contacto con el disco de desbaste.

El disco y la pieza de trabajo se calentarán durante el uso. Use guantes cuando cambie discos o toque la pieza de trabajo. Mantenga las manos alejadas del área de desbaste en todo momento.

Sujete la pieza de trabajo con abrazaderas siempre que sea posible.

#### Lesión causada por ruido.

La exposición prolongada al ruido aumentará el riesgo de daño auditivo y los efectos son acumulativos. Cuando utilice herramientas eléctricas durante un período de tiempo prolongado, use protección auditiva.

Las lesiones pueden estar causadas o verse agravadas por el uso prolongado de una herramienta. Cuando utilice cualquier herramienta durante períodos prolongados, asegúrese de tomar descansos periódicos.

### APLICACIÓN DE ACUERDO A LA FINALIDAD

La amoladora angular está diseñada para moler y cortar metal, piedra, hormigón y materiales cerámicos, así como para lijar y cepillar con alambre.

Utilice la tapa de corte de la gama de accesorios para la aplicación de corte.

En caso de dudas, observe las indicaciones de los fabricantes de los accesorios.

La herramienta eléctrica sirve únicamente para el trabajo en seco

Solo deben montarse discos de desbaste o corte apropiados y protectores relacionados (protector de desbaste o de corte), como se describe en la sección de especificaciones del producto de este manual. La amoladora angular está diseñada para uso portátil; no debe montarse en un dispositivo o banco de trabajo.

No use el producto de ninguna manera que no sea la indicada para el uso previsto.

### INDICACIONES PARA EL TRABAJO

En las herramientas que llevan una muela con agujero roscado, cerciórese de que la rosca en la muela es lo suficientemente larga para aceptar la longitud del vástago.

Utilice y guarde siempre los discos de amolar y las muelas de tronzar según las indicaciones del fabricante.



Utilice siempre la cubierta de protección en trabajos de desbaste y separación.

Discos lijadores con centro rebajado deberán montarse de tal forma que su superficie abrasiva no sobresalga la superficie del borde de la cubierta protectora.

La tuerca de apriete se debe asegurar antes de comenzar a trabajar con la máquina.

Emplear siempre el asidero adicional.

La pieza de trabajo debe fijarse adecuadamente, a no ser que se mantenga bien fija por su propio peso. Jamás mueva la pieza de trabajo con la mano contra el disco.

## BATERIA

Las temperaturas superiores a 50°C reducen el rendimiento de la batería. Evite una exposición excesiva a fuentes de calor o al sol (riesgo de sobrecalentamiento).

Los puntos de contacto de los cargadores y las baterías se deben mantener limpios.

Para un tiempo óptimo de vida, deberán cargarse las baterías completamente después de su uso. Las baterías no utilizadas durante cierto tiempo deben ser recargadas antes de usar.

Para garantizar la máxima capacidad y vida útil, las baterías recargables se deberían retirar del cargador una vez finalizada la carga.

En caso de almacenar la batería recargable más de 30 días, Almacenar la batería recargable en un lugar seco a una temperatura de aproximadamente 27°C, Almacenar la batería recargable con un estado de carga del 30% y 50% aproximadamente, Recargar la batería cada 6 meses.

No tire las baterías usadas a la basura ni al fuego. Los Distribuidores AEG ofrecen un servicio de recogida de baterías antiguas para proteger el medio ambiente.

No almacene la batería con objetos metálicos (riesgo de cortocircuito).

## PROTECCIÓN CONTRA SOBRECARGA DE LA BATERÍA

En caso de sobrecarga del acumulador por consumo excesivo de corriente eléctrica, por ej. debido a pares muy elevados, agarrotamiento del útil, parada repentina o cortocircuito, la herramienta eléctrica se detendrá durante 2 segundos y se desconectará automáticamente. Para restablecer, retire la batería de la herramienta y vuelva a colocarla.

Bajo cargas extremas la batería se calienta demasiado. En este caso, todas las luces del indicador de carga parpadean hasta que la batería se enfría. Cuando se apaga el indicador de carga se puede trabajar de nuevo. Meta entonces la batería en el cargador para recargarla otra vez y activarla.

## TRANSPORTE DE BATERÍAS DE IONES DE LITIO

Las baterías de iones de litio caen bajo las disposiciones legales relativas al transporte de mercancías peligrosas.

El transporte de estas baterías recargables debe llevarse a cabo, observando las normas y disposiciones locales, nacionales e internacionales.

Los consumidores pueden transportar estas baterías recargables sin el menor reparo en la calle.

El transporte comercial de baterías recargables de iones de litio por empresas de transportes está sometido a las disposiciones del transporte de mercancías peligrosas. Las preparaciones para el envío y el transporte deben ser llevados a cabo exclusivamente por

personas instruidas adecuadamente. El proceso completo debe ser supervisado por personal competente.

Los siguientes puntos se deben observar para el transporte de las baterías recargables:

Se debe asegurar que los contactos estén protegidos y aislados para evitar que se produzcan cortocircuitos. Preste atención a que el conjunto de baterías recargables no se pueda desplazar dentro del envase. Las baterías recargables deterioradas o derramadas no se deben transportar. Rogamos que para cualquier información adicional se dirija a su empresa de transportes.

## PROTECCIÓN CONTRA EL REARRANQUE

Un interruptor de tensión nula evita que la máquina arranque de nuevo después de un corte de corriente (cambio de batería).

Para volver a usarla, desconectar y volver a conectar la máquina.

## ARRANQUE SUAVE

Arranque suave electrónico, para una segura manejabilidad, evita un brusco retroceso al conectar la máquina.

## MANTENIMIENTO

Retire la batería antes de comenzar cualquier trabajo el aparato.

Las ranuras de ventilación de la máquina deben estar despejadas en todo momento.

Solo se deben utilizar accesorios y piezas de repuestos AEG. Piezas cuyo recambio no está descrito en las instrucciones de uso, deben sustituirse en un centro de asistencia técnica AEG (Consulte el folleto Garantía/Direcciones de Centros de Asistencia Técnica).

En caso necesario, puede solicitar un despiece de la herramienta. Por favor indique el número de impreso que hay en la etiqueta y pida el despiece a la siguiente dirección: Techtronic Industries GmbH, Max-Eyth-Straße 10, 71364 Winnenden, Germany.

## DECLARACION DE CONFORMIDAD CE

Declaramos bajo nuestra única responsabilidad que el producto descrito bajo „Datos técnicos“ cumple todas las disposiciones pertinentes de las directivas

2011/65/UE (RoHS)

2006/42/CE

2014/30/UE

y que se han implementado y estándares

EN 60745-1:2009 + A11:2010

EN 60745-2-3:2011 + A2:2013 + A11:2014 + A12:2014 + A13:2015

EN 55014-1:2017

EN 55014-2:2015

EN 50581:2012



Winnenden, 2018-08-16

Alexander Krug / Managing Director

Autorizado para la redacción de los documentos técnicos.

Techtronic Industries GmbH

Max-Eyth-Straße 10, 71364 Winnenden, Germany



## SÍMBOLOS



¡ATENCIÓN! ;ADVERTENCIA! ;PELIGRO!



Lea las instrucciones detenidamente antes de conectar la herramienta



Para trabajar con la máquina, utilizar siempre gafas de protección.



Usar guantes protectores



Retire la batería antes de comenzar cualquier trabajo el aparato.



Sistema ANTIvibración



No aplique fuerza.



Únicamente para trabajos de separación.



Únicamente para trabajos de pulido.



No presione el botón de bloqueo del husillo durante el arranque y durante el apagado.



Accesorio - No incluido en el equipo estándar, disponible en la gama de accesorios.



Pieza de repuesto - No incluida en el equipo estándar, disponible como pieza de repuesto.



Los electrodomésticos y las baterías/acumuladores no se deben eliminar junto con la basura doméstica. Los aparatos eléctricos y los acumuladores se deben recoger por separado y se deben entregar a una empresa de reciclaje para una eliminación respetuosa con el medio ambiente. Infórmese en las autoridades locales o en su tienda especializada sobre los centros de reciclaje y puntos de recogida.



Corriente continua



Tensión



Revoluciones nominales



Marcado de conformidad europeo

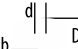
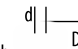
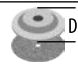
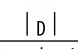


Marcado de conformidad ucraniano



Marcado de conformidad euroasiático



CARACTERÍSTICAS TÉCNICAS Rebarbadora Angular a Bateria	BEWS18-115BL	BEWS18-125BL
Número de produção	4693 80 01 ... 4690 25 01 ... ... 000001-999999	4693 85 01 ... 4690 40 01 ... ... 000001-999999
Tensão do acumulador	18 V	18 V
Número de rotações nominal	11000 min <sup>-1</sup>	11000 min <sup>-1</sup>
D= Diâmetro do disco no máx. d= ø do orifício	115 mm 22,2 mm	125 mm 22,2 mm
 b= Espessura do rebolo separador no mín. / no máx.	1/3 mm	1/3 mm
 b= Espessura do rebolo de lixa no máx.	6 mm	6 mm
 D= Diâmetro da superfície de lixa no máx.	115 mm	125 mm
 D= Diâmetro da superfície da escova tipo copo no máx.	75 mm	75 mm
Rosca do veio de trabalho	M 14	M 14
Peso nos termos do procedimento-EPTA 01/2014 (Li-Ion 1,5 Ah...9,0 Ah)	2,4 kg ... 3,1 kg	2,4 kg ... 3,1 kg
Temperatura ambiente recomendada para a operação	-18°C ... +50°C	-18°C ... +50°C
Conjuntos de baterias recomendados	L18...	L18...
Carregadores recomendados	AL1218... / BL 1218...	AL1218... / BL 1218...
<b>Informações sobre ruído</b>		
Valores de medida de acordo com EN 60745. O nível de ruído avaliado A do aparelho é tipicamente:		
Nível da pressão de ruído (Incertez K=3dB(A))	83dB(A)	83dB(A)
Nível da potência de ruído (Incertez K=3dB(A))	84dB(A)	84dB(A)
<b>Use protectores auriculares!</b>		
<b>Informações sobre vibração</b>		
Valores totais de vibração (soma dos vectores das três direcções) determinadas conforme EN 60745.		
Lixamento superficial (Li-Ion 1,5 Ah): Valor de emissão de vibração a <sub>h,AG</sub>	9,4m/s <sup>2</sup>	9,4m/s <sup>2</sup>
Incerteza K=	1,5 m/s <sup>2</sup>	1,5 m/s <sup>2</sup>
Rectificar com disco abrasivo (Li-Ion 1,5 Ah: Valor de emissão de vibração a <sub>h,DS</sub>	5,7m/s <sup>2</sup>	5,7m/s <sup>2</sup>
Incerteza K=	1,5 m/s <sup>2</sup>	1,5 m/s <sup>2</sup>

Em caso de outras aplicações, como p.ex. separar por rectificação ou lixar com escova de arame, podem resultar outros valores de vibração!

#### AVISO de vibração!

O nível vibratório indicado nestas instruções foi medido em conformidade com um procedimento de medição normalizado na EN 60745 e pode ser utilizado para comparar entre si ferramentas eléctricas. O mesmo é também adequado para avaliar provisoriamente o esforço vibratório.

O nível vibratório indicado representa as principais aplicações da ferramenta eléctrica. Se, no entanto, a ferramenta eléctrica for utilizada para outras aplicações, com outras ferramentas adaptadas ou uma manutenção insuficiente, o nível vibratório poderá divergir. Isto pode aumentar consideravelmente o esforço vibratório ao longo de todo o período do trabalho.

Para uma avaliação exacta do esforço vibratório devem também ser considerados os tempos durante os quais o aparelho está desligado ou está a funcionar, mas não está efectivamente a ser utilizado. Isto pode reduzir consideravelmente o esforço vibratório ao longo de todo o período do trabalho.

Defina medidas de segurança suplementares para proteger o operador do efeito das vibrações, como por exemplo: manutenção da ferramenta eléctrica e das ferramentas adaptadas, manter as mãos quentes, organização das sequências de trabalho.

## **⚠️ ATENÇÃO!**

Leia todas as instruções de segurança e todas as instruções. O desrespeito das advertências e instruções apresentadas abaixo pode causar choque eléctrico, incêndio e/ou graves lesões. **Guarde bem todas as advertências e instruções para futura referência.**



### Descrição do dispositivo

- |  |                                  |
|--|----------------------------------|
| ① Bloqueio do fuso   | resguardo                        |
| ② Manípulo suplementar / AVS Manípulo suplementar Superfície de pega isolada | ⑦ Acessório                      |
| ③ Pega Superfície de pega isolada  | ⑧ Flange                         |
| ④ Interruptor de Ligado/Desligado  | ⑨ Porca da flange / Porca FIXTEC |
| ⑤ Resguardo de moagem  | ⑩ Bateria                        |
| ⑥ Alavanca de bloqueio do  | ⑪ Filtro de poeira               |
|  | ⑫ Resguardo de corte             |

## **⚠️ INSTRUÇÕES DE SEGURANÇA PARA AFIADORAS ANGULARES**

Indicações de aviso gerais para lixar, lixar com lixa de papel, trabalhar com escovas de arame, polir e separar por rectificação:

a) Esta ferramenta eléctrica pode ser utilizada como lixadeira, lixadeira com lixa de papel e máquina para separar por rectificação. Observar todas as indicações de aviso, instruções, apresentações e dados fornecidos com a ferramenta eléctrica. O desrespeito das seguintes instruções pode levar a um choque eléctrico, incêndio e/ou graves lesões.

b) Esta ferramenta eléctrica não é adequada para polir. Utilizações, para as quais a máquina não tenha sido prevista, podem causar perigos e ferimentos.

c) Não utilizar acessórios, que não foram especialmente previstos e recomendados pelo fabricante para serem utilizados com esta ferramenta eléctrica. O facto de poder fixar o acessório a esta ferramenta eléctrica, não garante uma aplicação segura.

d) As rotações admissíveis da ferramenta de trabalho devem ser pelo menos tão elevadas como as rotações

máximas indicadas na ferramenta eléctrica. Os acessórios que rodam mais rapidamente do que o permitido podem partir-se e ser projectados.

e) O diâmetro exterior e a espessura da ferramenta de trabalho devem corresponder às indicações de medida da sua ferramenta eléctrica. Ferramentas de trabalho incorrectamente medidas podem não ser suficientemente blindadas nem controladas.

f) As roscas das peças de acessório devem corresponder com a rosca do fuso de esmerilhamento. Nas peças de acessório fixadas mediante flange, o furo para o mandril na peça de acessório deve corresponder com o diâmetro do flange de localização. Peças de acessório que não caibam no mandril de montagem do aparelho, operam de forma desequilibrada, vibram excessivamente e podem levar à perda de controlo sobre a ferramenta.

g) Não utilizar ferramentas de trabalho danificadas. Antes de cada utilização deverá controlar as ferramentas de trabalho, e verificar se por exemplo os discos abrasivos apresentam fissuras e estilhaços, se pratos abrasivos apresentam fissuras, se há desgaste ou forte atrição, se as escovas de arame apresentam arames soltos ou quebrados. Se a ferramenta eléctrica ou a ferramenta de trabalho caírem, deverá verificar se sofreram danos, ou trocar por uma ferramenta de trabalho intacta. Após ter controlado e introduzido a ferramenta de trabalho, deverá manter-se, e as pessoas que se encontrem nas proximidades, fora do nível de rotação da ferramenta de trabalho e permitir que a ferramenta eléctrica funcione durante um minuto com o máximo número de rotação. A maioria das ferramentas de trabalho danificadas quebram durante este período de teste.

h) Utilizar um equipamento de protecção pessoal. De acordo com a aplicação, deverá utilizar uma protecção para todo o rosto, protecção para os olhos ou um óculos protector. Se for necessário, deverá utilizar uma máscara contra pó, protecção auricular, luvas de protecção ou um avental especial, para proteger-se de pequenas partículas de amoladura e de material. Os olhos devem ser protegidos contra partículas a voar, produzidas durante as diversas aplicações. A máscara contra pó ou a máscara de respiração deve ser capaz de filtrar o pó produzido durante a respectiva aplicação. Se for sujeito durante longo tempo a fortes ruídos, poderá sofrer a perda da capacidade auditiva.

i) Observe que as outras pessoas mantenham uma distância segura em relação ao seu local de trabalho. Cada pessoa que entrar na área de trabalho, deverá usar um equipamento de protecção pessoal. Estilhaços da peça a ser trabalhada ou ferramentas de trabalho quebradas podem voar e causar lesões fora da área imediata de trabalho.

j) Segure o aparelho nas superfícies de punho isoladas se estiver a executar trabalhos, nos quais a ferramenta de corte pode tocar em linhas eléctricas escondidas. O contacto da ferramenta de corte com uma linha sob tensão também pode colocar peças metálicas do aparelho sob tensão e levar a um choque eléctrico.

k) Nunca pouse a ferramenta eléctrica antes de a ferramenta de trabalho parar completamente. A ferramenta de trabalho em rotação pode entrar em contacto com a superfície de apoio, provocando uma perda de controlo da ferramenta eléctrica.

l) Não permitir que a ferramenta eléctrica funcione enquanto estiver a transportá-la. A sua roupa pode ser agarrada devido a um contacto accidental com a ferramenta de trabalho em rotação, de modo que a ferramenta de trabalho possa ferir o seu corpo.



**Por**

**m) Limpar regularmente as aberturas de ventilação da sua ferramenta eléctrica.** A ventoinha do motor puxa pó para dentro da carcaça, e uma grande quantidade de pó de metal pode causar perigos eléctricos.

**n) Não utilizar a ferramenta eléctrica perto de materiais inflamáveis.** Faiscas podem incendiar estes materiais.

**o) Não utilizar ferramentas de trabalho que necessitem agentes de refrigeração líquidos.** A utilização de água ou de outros agentes de refrigeração líquidos pode provocar um choque eléctrico.

### Contra-golpe e respectivas advertências

Contra-golpe é uma repentina reacção devido a uma ferramenta de trabalho travada ou bloqueada, como por exemplo um disco abrasivo, um prato abrasivo, uma escova de arame etc. Um travamento ou um bloqueio levam a uma parada abrupta da ferramenta de trabalho em rotação. Desta maneira, uma ferramenta eléctrica descontrolada pode ser acelerada no local de bloqueio, sendo forçada no sentido contrário da rotação da ferramenta de trabalho.

Se por exemplo um disco abrasivo travar ou bloquear numa peça a ser trabalhada, o canto do disco abrasivo pode mergulhar na peça a ser trabalhada e encravar-se, quebrando o disco abrasivo ou causando um contra-golpe. O disco abrasivo se movimentará então no sentido do operador ou para longe deste, dependendo do sentido de rotação do disco no local do bloqueio. Sob estas condições os discos abrasivos também podem partir-se.

Um contra-golpe é a consequência de uma utilização incorrecta ou indevida da ferramenta eléctrica. Ele pode ser evitado por apropriadas medidas de precaução como descrito a seguir.

**a) Segurar firmemente a ferramenta eléctrica e posicionar o seu corpo e os braços de modo que possa resistir às forças de um contra-golpe. Sempre utilizar o punho adicional, se existente, para assegurar o máximo controlo possível sobre as forças de um contra-golpe ou sobre momentos de reacção durante o arranque.** O operador pode controlar as forças de contra-golpe e as forças de reacção através de medidas de precaução apropriadas.

**b) Jamais permita que as suas mãos se encontrem perto de ferramentas de trabalho em rotação.** No caso de um contra-golpe a ferramenta de trabalho poderá passar pela sua mão.

**c) Evite que o seu corpo se encontre na área, na qual a ferramenta eléctrica possa ser movimentada no caso de um contra-golpe.** O contra-golpe força a ferramenta eléctrica no sentido contrário ao movimento do disco abrasivo no local do bloqueio.

**d) Trabalhar com especial cuidado na área ao redor de esquinas, cantos afiados etc. Evite que ferramentas de trabalho sejam ricocheteadas e travadas pela peça a ser trabalhada.** A ferramenta de trabalho em rotação tende a travar em esquinas, em cantos afiados ou se for ricocheteada. Isto causa uma perda de controlo ou um contra-golpe.

**e) Não utilize lâminas de corrente ou lâminas de serra dentadas.** Estas ferramentas de trabalho provocam frequentemente uma repercussão ou a perda do controlo sobre a ferramenta eléctrica.

### Instruções especiais de segurança específicas para lixar e separar por rectificação

**a) Utilizar exclusivamente os corpos abrasivos homologados para a sua ferramenta eléctrica e a capa de protecção prevista para estes corpos abrasivos.** Corpos abrasivos não previstos para a ferramenta eléctrica, não podem ser suficientemente protegidos e portanto não são seguros.

**b) Discos abrasivos dobrados devem ser montados, de forma que a sua superfície abrasiva não sobressaia além do nível da margem da tampa de protecção.** Não é possível blindar suficientemente um disco abrasivo montado incorrectamente, que sobressaia além do nível da margem da tampa de protecção.

**c) Sempre utilizar a capa de protecção, prevista para o tipo de corpo abrasivo utilizado. A capa de protecção deve ser firmemente aplicada na ferramenta eléctrica e fixa, de modo que seja alcançado um máximo de segurança, ou seja, que apenas uma mínima parte do corpo abrasivo aponte abertamente na direcção do operador.** A capa de protecção deve proteger o operador contra estilhaços e contra um contacto accidental com o corpo abrasivo.

**d) Os corpos abrasivos só devem ser utilizados para as aplicações recomendadas. P. ex.: Jamais lixar com a superfície lateral de um disco de corte.** Disco de corte são destinados para o desbaste de material com o canto do disco. Uma força lateral sobre estes corpos abrasivos pode quebrá-los.

**e) Sempre utilizar flanges de aperto intactos de tamanho e forma correctos para o disco abrasivo seleccionado.** Flanges apropriados apoiam o disco abrasivo e reduzem assim o perigo de uma ruptura do disco abrasivo. Flanges para discos de corte podem diferenciarse de flanges para outros discos abrasivos.

**f) Não utilizar discos abrasivos gastos de outras ferramentas eléctricas maiores.** Discos abrasivos para ferramentas eléctricas maiores não são apropriados para os números de rotação mais altos de ferramentas eléctricas menores e podem quebrar.

### Outras advertências especiais de segurança para separar por rectificação

**a) Evitar um bloqueio do disco de corte ou uma força de pressão demasiado alta. Não efectuar cortes extremamente profundos.** Uma sobrecarga do disco de corte aumenta o desgaste e a predisposição para emperrar e bloquear e portanto a possibilidade de um contra-golpe ou uma ruptura do corpo abrasivo.

**b) Evitar a área que se encontra na frente ou atrás do disco de corte em rotação.** Se o disco de corte for conduzido na peça a ser trabalhada, para frente, afastandose do corpo, é possível que no caso de um contra-golpe a ferramenta eléctrica, junto com o disco em rotação, seja atirada directamente na direcção da pessoa a operar o aparelho.

**c) Se o disco de corte emperrar ou se o trabalho for interrompido, deverá desligar a ferramenta eléctrica e mantê-la parada, até o disco parar completamente. Jamais tentar puxar o disco de corte para fora do corte enquanto ainda estiver em rotação, caso contrário poderá ser provocado um contra-golpe.** Verificar e eliminar a causa do emperramento.

**d) Não ligar novamente a ferramenta eléctrica, enquanto ainda estiver na peça a ser trabalhada. Permita que o disco de corte alcance o seu completo número de rotação, antes de continuar cuidadosamente a cortar.** Caso contrário é possível que o disco emperre, pule para fora da peça a ser trabalhada ou cause um contra-golpe.

**e) Apoiar placas ou peças grandes, para reduzir um risco de contra-golpe devido a um disco de corte emperrado.** Peças grandes podem curvarse devido ao próprio peso. A peça a ser trabalhada deve ser apoiada de ambos os lados, tanto nas proximidades do corte como também nos cantos.

**f) Tenha muito cuidado ao fazer “cortes de bolsa” em paredes existentes ou outras áreas não visíveis.** O disco de corte pode causar um contra-golpe se cortar accidentalmente tubulações de gás ou de água, cabos eléctricos ou outros objectos.



## Advertências especiais de segurança específicas para lixar com lixa de papel:

**a) Não utilizar lixas de papel demasiado grandes, mas sempre seguir as indicações do fabricante sobre o tamanho correcto das lixas de papel.** Lixas de papel, que sobressaem dos cantos do prato abrasivo, podem causar lesões, assim como bloquear e rasgar as lixas de papel ou levar a um contra-golpe.

## Advertências especiais de segurança específicas para trabalhar com escovas de arame:

**a) Observe que a escova de arame também perde cerdas durante a utilização normal. Não aplique uma força de pressão muito forte nos arames.** Cerdas ejetadas podem penetrar facilmente em roupa leve e/ou na pele.

**b) Se for recomendável uma capa de protecção, deverá evitar que a escova de arame entre em contacto com a capa de protecção.** O diâmetro das escovas em forma de prato ou de tacho pode aumentar devido à força de pressão e às forças centrífugas.

## Instruções de segurança e trabalho suplementares

Antes de ligar a ferramenta, verifique sempre se o botão de bloqueio do eixo está completamente solto! Depois de utilizar o bloqueio do eixo para apertar / afrouxar o disco abrasivo, é possível que o botão fique preso na posição de bloqueio. Se isso acontecer, pode levar a que a protecção da ferramenta ou da bateria comecem a funcionar e retirem o fornecimento de energia à ferramenta. Desligue o interruptor, remova a bateria, balance o disco para a frente e para trás com cuidado e solte o bloqueio do eixo. Nota: Se a protecção da bateria também tiver sido ativada, basta retirar a bateria da ferramenta e substituí-la, o que irá repor a protecção.

Ao lixar metais, voam faíscas. Observe que ninguém seja posto em perigo. Devido ao perigo de incêndio não devem encontrar-se materiais inflamáveis nas proximidades (área de vôo de faíscas). Não utilize sistema de extração de poeiras.

Evitar o contacto de faíscas e pó de lixar com o corpo.

Não introduza as mãos na área perigosa, estando a máquina em funcionamento.

Não remover aparas ou lascas enquanto a máquina trabalha.

Desligar imediatamente o aparelho, se ocorrerem grandes oscilações ou se forem observadas outras avarias. Controlar a máquina para determinar a causa.

Em caso de condições extremas de utilização (por ex., ao polir metais com o prato de apoio e rebolos de fibra vulcanizada) pode formar-se uma forte sujidade no interior da lixadora de detalhes.

Não deixe que peças metálicas toquem nas fendas de circulação de ar - perigo de curto-circuitos.

**ATENÇÃO!** Para evitar o risco de incêndio, de feridas ou de danificação do produto causado por um curto-circuito, não imerja a bateria intercambiável ou o carregador em líquidos e assegure-se de que líquidos não penetrem nos aparelhos ou nas baterias. Líquidos corrosivos ou condutivos como água salgada, determinadas substâncias químicas ou produtos que contenham branqueadores podem causar um curto-circuito.

Carregadores só devem ser utilizados em recintos secos.

Use apenas carregadores do Sistema GBS para recarregar os acumuladores do Sistema GBS. Não utilize acumuladores de outros sistemas.

## RISCOS RESIDUAIS

Mesmo que a rebarbadora seja utilizada conforme prescrito, é impossível eliminar por completo certos fatores de risco residuais. Poderá verificar-se a ocorrência dos perigos que passamos a descrever, pelo que o operador deve manter-se especialmente atento no sentido de evitar o seguinte:

### Lesão provocada por partículas projetadas.

Partículas de metal ou abrasivas podem entrar nos olhos e provocar danos permanentes graves.

Sempre que utilizar o produto, use óculos de protecção aprovados para operações de esmeril

### Lesão provocada pela vibração.

Limite de exposição. Consulte o AVISO sobre a vibração!

### Lesão provocada por poeiras.

Utilize uma máscara de controlo de poeiras em conformidade, com filtros adequados para o proteger contra as partículas do material que está a ser trabalhado, bem como contra as partículas provenientes dos discos abrasivos.

Não coma, beba ou fume na área de trabalho. Certifique-se de que a ventilação é adequada.

### Lesão por contacto com o disco abrasivo.

Durante a utilização, o disco e a peça trabalhada vão ficar quentes.

Ao trocar os discos ou tocar na peça de trabalho, use luvas.

Mantenha sempre as mãos afastadas da área que estiver a ser trabalhada com a rebarbadora.

Sempre que possível, fixe a peça de trabalho.

### Lesão provocada por ruído.

A exposição prolongada ao ruído irá aumentar o risco de lesões auditivas, sendo os efeitos cumulativos. Ao utilizar ferramentas elétricas durante qualquer período de tempo prolongado, utilize protecção auditiva.

A utilização prolongada de uma ferramenta pode provocar ou agravar lesões. Ao utilizar qualquer ferramenta por períodos prolongados, certifique-se de que faz pausas com regularidade.

## UTILIZAÇÃO AUTORIZADA

A rebarbadora foi concebida para esmerilar e cortar materiais metálicos, em pedra, cimento e cerâmicos, bem como para operações de decapagem e escovagem com escova de metal.

Para aplicações de corte, utilize o resguardo de corte constante da gama de acessórios.

Em caso de dúvida, observe as indicações do fabricante dos acessórios.

A ferramenta só é apropriada para o processamento a seco.

Só devem ser encaixados na rebarbadora discos de esmeril/ corte e respetivas proteções (protecção de esmeril ou protecção de corte) que sejam adequados, conforme descritos na secção de especificações do produto deste manual. A rebarbadora foi concebida para utilização portátil, não se destinando a ser montada num acessório ou bancada.

Não utilize o produto de qualquer outra forma além das indicadas para a utilização prevista.

## DICAS DE TRABALHO

Para as ferramentas a serem montadas com a roda de orifício roscado, certifique-se de que a rosca na roda é suficientemente longa para receber o fuso em todo o seu comprimento.

Sempre utilizar e guardar os rebolos separadores e os discos abrasivos, de acordo com as indicações do fabricante.



Durante o trabalho com discos de desbastar e de corte sempre deve ser utilizada a placa de protecção.

Discos abrasivos dobrados devem ser montados, de forma que a sua superfície abrasiva não sobressaia além do nível da margem da tampa de protecção.

A porca de ajuste deve ser apertada antes de iniciar o trabalho com a máquina.

Utilizar sempre o punho lateral.

A peça a ser trabalhada deve ser fixada, caso não esteja firme devido ao seu peso próprio. Jamais conduzir a peça a ser trabalhada em direcção do disco com as mãos.

### ACUMULADOR

Temperaturas acima de 50°C reduzem a capacidade do bloco acumulador. Evitar exposição prolongada ao sol ou a caloríferos.

Manter limpos os contactos eléctricos no carregador e no bloco acumulador.

Para uma vida útil óptima das baterias, terá que carregá-las plenamente após a sua utilização. Acumuladores não utilizados durante algum tempo devem ser recarregados antes da sua utilização.

Para assegurar uma vida útil longa, o pacote de bateria deve ser removido da carregadora depois do carregamento.

Se o pacote de bateria for armazenado por mais de 30 dias, Armazene o pacote de bateria com aprox. 27°C em um lugar seco., Armazene o pacote de bateria com aprox. 30%-50% da carga completa., Carregue o pacote de bateria novamente de 6 em 6 meses.

Não queimar acumuladores gastos nem deitá-los no lixo doméstico. A AEG possui uma eliminação de acumuladores gastos que respeita o meio ambiente.

Não guardar acumuladores junto com objectos metálicos (perigo de curto-circuito).

### PROTECÇÃO DE SOBRECARGA DE BATERIA

Em caso de sobrecarga da bateria devido a um consumo de energia muito alto, p.ex., por causa de um elevado binário, de uma parada repentina ou de um curto-circuito, a ferramenta eléctrica pára por 2 segundos e desliga-se automaticamente. Para repor, retire a bateria da ferramenta e proceda à respetiva substituição.

Sob condições extremas, a bateria aquece demasiado. Nesse caso, todas as luzes do indicador de carregamento de bateria piscam até que esta arrefeça. Após as luzes do indicador de carregamento de bateria se apagarem, pode-se continuar a trabalhar. Voltar então a colocar o acumulador no carregador para o carregar de novo e para assim o activar.

### TRANSPORTE DE BATERIAS DE IÃO-LÍTRIO

Baterias de ião-lítio estão sujeitas às disposições da legislação relativa às substâncias perigosas.

O transporte destas baterias deve ser efetuado de acordo com as disposições e os regulamentos locais, nacionais e internacionais.

O utilizador pode efetuar o transporte rodoviário destas baterias sem restrições.

O transporte comercial de baterias de ião-lítio por terceiros está sujeito aos regulamentos relativos às substâncias perigosas. A preparação do transporte e o transporte devem ser executados exclusivamente por pessoas instruídas e o processo deve ser acompanhado pelos especialistas correspondentes.

Observe o seguinte no transporte de baterias:

Assegure-se de que os contactos terminais estejam protegidos e isolados para evitar um curto-circuito. Assegure-se de que o bloco da bateria esteja protegido contra movimentos na embalagem. Não transporte baterias danificadas ou que tenham fuga. Para instruções mais detalhadas consulte a companhia de transportes

### PROTECÇÃO DE REINÍCIO

Um interruptor de tensão zero evita um arranque da máquina após uma interrupção da corrente (troca da bateria).

No caso de se desejar reiniciar o trabalho, desligar a máquina e voltar a ligá-la.

### ARRANQUE SUAVE

Arranque suave electrónico para manejo seguro; evita o arranque brusco da máquina ao ligá-la.

### MANUTENÇÃO

Antes de efectuar qualquer intervenção o aparelho retirar o bloco acumulador.

Manter desobstruídos os rasgos de ventilação na carcaça da máquina.

Utilizar unicamente acessórios e peças sobressalentes da AEG. Sempre que a substituição de um componente não tenha sido descrita nas instruções, será de toda a conveniência mandar executar esse trabalho a um Serviço de Assistência AEG (veja o folheto Garantia/Endereços de Serviços de Assistência).

A pedido e mediante indicação da referência que consta da chapa de características da máquina, pode requerer-se um desenho explosivo da ferramenta eléctrica a: Techtronic Industries GmbH, Max-Eyth-Straße 10, 71364 Winnenden, Germany.

### DECLARAÇÃO DE CONFORMIDADE CE

Declaramos, sob a nossa inteira responsabilidade, que o produto descrito em «Dados Técnicos» cumpre todas as disposições relevantes das diretivas

2011/65/UE (RoHS)

2006/42/CE

2014/30/UE

tendo sido seguidas as seguintes normas harmonizadas

EN 60745-1:2009 + A11:2010

EN 60745-2-3:2011 + A2:2013 + A11:2014 + A12:2014 +A13:2015

EN 55014-1:2017

EN 55014-2:2015

EN 50581:2012



Winnenden, 2018-08-16

Alexander Krug / Managing Director  
Autorizado a reunir a documentação técnica.

Techtronic Industries GmbH  
Max-Eyth-Straße 10, 71364 Winnenden, Germany

## SYMBOLS



ATENÇÃO! PERIGO!



Leia atentamente o manual de instruções antes de colocar a máquina em funcionamento.



Usar sempre óculos de protecção ao trabalhar com a máquina.



Use luvas de protecção!



Antes de efectuar qualquer intervenção o aparelho retirar o bloco acumulador.



Sistema antivibração



Não aplique força.



Só para trabalhos de separação.



Só para trabalhos de lixar.



Durante o arranque e paragem da ferramenta, não pressione o botão de bloqueio do eixo.



Accessório - Não incluído no equipamento normal, disponível como acessório.



Peça de reposição - Não incluída no equipamento padrão, disponível como peça de reposição.



Aparelhos eléctricos, baterias/acumuladores não devem ser jogados no lixo doméstico. Os aparelhos eléctricos e as baterias devem ser colectados separadamente e entregues a uma empresa de reciclagem para a eliminação correcta. Solicite informações sobre empresas de reciclagem e postos de colecta de lixo das autoridades locais ou do seu vendedor autorizado.



Corrente contínua



Tensão



Número de rotações nominal



Marca de Conformidade Europeia

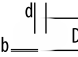
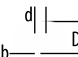




Marca de Conformidade Ucraniana



Marca de Conformidade Eurasiática



TECHNISCHE GEGEVENS Accu-haakse slijpmachine	BEWS18-115BL	BEWS18-125BL
Productienummer	4693 80 01 ... 4690 25 01 ... ... 000001-999999	4693 85 01 ... 4690 40 01 ... ... 000001-999999
Spanning wisselakku	18 V	18 V
Nominaal toerental	11000 min <sup>-1</sup>	11000 min <sup>-1</sup>
D= Slijpschijf-Ø max. d= Asgat-Ø  b= Dikte doorslijpschijven min. / max.  b= Slijpschijfdikte max.	115 mm 22,2 mm 1/3 mm	125 mm 22,2 mm 1/3 mm
 D= Schuuroppervlak-Ø max.	115 mm	125 mm
 D= Komborstel-Ø max.	75 mm	75 mm
Asaansluiting	M 14	M 14
Gewicht volgens de EPTA-procedure 01/2014 (Li-Ion 1,5 Ah...9,0 Ah)	2,4 kg ... 3,1 kg	2,4 kg ... 3,1 kg
Aanbevolen omgevingstemperatuur voor het bedrijf	-18°C ... +50°C	-18°C ... +50°C
Aanbevolen accupacks	L18...	L18...
Aanbevolen laadtoestellen	AL1218... / BL 1218...	AL1218... / BL 1218...
<b>Geluidsinformatie</b>		
Meetwaarden vastgesteld volgens EN 60745. Het kenmerkende A-gewogen geluidsniveau van de machine bedraagt:		
Geluidsdrukniveau (Onzekerheid K=3dB(A))	83dB(A)	83dB(A)
Geluidsvermogeniveau (Onzekerheid K=3dB(A))	84dB(A)	84dB(A)
<b>Draag oorbeschermers!</b>		
<b>Trillingsinformatie</b>		
Totale trillingswaarden (vectorsom van drie richtingebepaald volgens EN 60745.		
Schuren van oppervlakken (Li-Ion 1,5 Ah): Trillingsemisiewaarde a <sub>h,AG</sub>	9,4m/s <sup>2</sup>	9,4m/s <sup>2</sup>
Onzekerheid K=	1,5 m/s <sup>2</sup>	1,5 m/s <sup>2</sup>
Schuren met schuurblad (Li-Ion 1,5 Ah): Trillingsemisiewaarde a <sub>h,DS</sub>	5,7m/s <sup>2</sup>	5,7m/s <sup>2</sup>
Onzekerheid K=	1,5 m/s <sup>2</sup>	1,5 m/s <sup>2</sup>

Bij andere toepassingen zoals bijv. doorslijpen of schuren met de staalborstel, kunnen andere trilwaarden ontstaan!

### WAARSCHUWING voor trillingen!

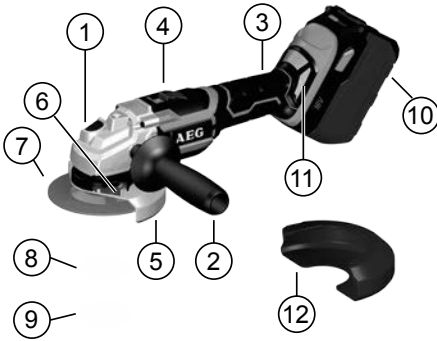
De in deze aanwijzingen vermelde trillingsdruk is gemeten volgens een in EN 60745 genommerde meetmethode en kan worden gebruikt voor de onderlinge vergelijking van apparaten. Hij is ook geschikt voor een voorlopige inschatting van de trillingsbelasting. De aangegeven trillingsdruk geldt voor de meest gebruikelijke toepassingen van het elektrische apparaat. Wanneer het elektrische gereedschap echter voor andere doeleinden, met andere dan de voorgeschreven hulpstukken gebruikt of niet naar behoren onderhouden wordt, kan de trillingsdruk afwijken. Dit kan de waarde van de trillingsdruk over de hele werkperiode aanzienlijk verhogen. Voor een nauwkeurige inschatting van de trillingsdruk moeten ook de tijden in aanmerking worden genomen dat het apparaat uitgeschakeld is of weliswaar loopt, maar niet werkelijk in gebruik is. Dit kan de waarde van de trillingsdruk over de hele werkperiode aanzienlijk verminderen.

Bepaal extra veiligheidsmaatregelen ter bescherming van de bediener tegen de inwerking van trillingen, bijvoorbeeld: onderhoud van elektrische gereedschappen en apparaten, warmhouden van de handen, organisatie van de werkprocessen.



## **⚠ WAARSCHUWING!**

Lees alle veiligheidsinstructies en aanwijzingen door. Als de waarschuwingen en voorschriften niet worden opgevolgd, kan dit een elektrische schok, brand of ernstig letsel tot gevolg hebben. Bewaar alle waarschuwingen en voorschriften voor toekomstig gebruik.



### Beschrijving van het apparaat

- |  |  |
|--|--|
| ① Spindelvergrendeling   | ⑥ Vergrendelhefboom van de beschermkap |
| ② Extra handgreep / AVS<br>Extra handgreep<br>Geïsoleerde handgrepen | ⑦ Toebehoren                           |
| ③ Handgreep Geïsoleerde handgrepen                                   | ⑧ Flens                                |
| ④ Aan-/uitschakelaar   | ⑨ Flensmoer / FIXTEC-moer              |
| ⑤ Schuren Beschermkap  | ⑩ Accu                                 |
|  | ⑪ Stofscherm                           |
|  | ⑫ Doorslijpen Beschermkap              |

## **⚠ VEILIGHEIDSLINSTRUCTIES VOOR HAAKSE SLIJPERS**

Algemene waarschuwingen voor slijpen, schuren, borstelen, polijsten en doorslijpen:

- a) Dit elektrische gereedschap is bestemd voor gebruik als slijpmachine, schuurmachine, borstelmaschine en doorslijpmachine. Neem alle waarschuwingen, aanwijzingen, afbeeldingen en gegevens die u bij het elektrische gereedschap ontvangt in acht. Als u de volgende aanwijzingen niet in acht neemt, kunnen een elektrische schok, brand en/of ernstig letsel het gevolg zijn.
- b) Dit elektrische gereedschap is niet geschikt voor het polijsten. Ondoelmatig gebruik van dit elektrische gereedschap kan leiden tot gevaren en persoonlijk letsel.
- c) Gebruik uitsluitend toebehoren dat door de fabrikant speciaal voor dit elektrische gereedschap is voorzien en geadviseerd. Het feit dat u het toebehoren aan het elektrische gereedschap kunt bevestigen, waarborgt nog geen veilig gebruik.
- d) Het toelaatbare toerental van het inzetgereedschap moet minstens even hoog zijn als het maximale toerental dat op het elektrische gereedschap is aangegeven. Toebehoren dat sneller draait dan toegestaan, kan breken en in het rond vliegen.

e) De buitendiameter en de dikte van het inzetgereedschap moeten overeenkomen met de maatgegevens van het elektrische gereedschap. Inzetgereedschappen met onjuiste afmetingen kunnen niet voldoende afgeschermd of gecontroleerd worden.

f) De schroefdraden van het toebehoren moeten overeenstemmen met de schroefdraden van de slijpspil. Bij toebehoren dat moet worden aangflensd, moet de boring op de opspandoorn in het toebehoren overeenstemmen met de diameter van de centreerflens. Toebehoren dat niet op de montageoorn van het apparaat past, loopt excentrisch, trilt buitengewoon sterk en kan leiden tot controleverlies over het gereedschap.

g) Gebruik geen beschadigde inzetgereedschappen. Controleer voor het gebruik altijd inzetgereedschappen zoals slijpschijven op afsplinteringen en scheuren, steenschijven op scheuren of sterke slijtage en draadborstels op losse of gebroken draden. Als het elektrische gereedschap of het inzetgereedschap valt, dient u te controleren of het beschadigd is, of gebruik een onbeschadigd inzetgereedschap. Als u het inzetgereedschap hebt gecontroleerd en ingezet, laat u het elektrische gereedschap een minuut lang met het maximale toerental lopen. Daarbij dient u en dienen andere personen uit de buurt van het ronddraaiende inzetgereedschap te blijven. Beschadigde inzetgereedschappen breken meestal gedurende deze testtijd.

h) Draag persoonlijke beschermende uitrusting. Gebruik afhankelijk van de toepassing een volledige gezichtsbescherming, oogbescherming of veiligheidsbril. Draag voor zover van toepassing een stofmasker, een gehoorbescherming, werkhandschoenen of een speciaal schoort dat kleine slijp- en materiaaldeeltjes tegenhoudt. Uw ogen moeten worden beschermd tegen wegliggende deeltjes die bij verschillende toepassingen ontstaan. Een stof- of adembeschermingsmasker moet het bij de toepassing ontstaande stof filteren. Als u lang wordt blootgesteld aan luid lawaai, kan uw gehoor worden beschadigd.

i) Let erop dat andere personen zich op een veilige afstand bevinden van de plaats waar u werkt. Iedereen die de werkomgeving betreedt, moet persoonlijke beschermende uitrusting dragen. Brokstukken van het werkstuk of gebroken inzetgereedschappen kunnen wegvliegen en verwondingen veroorzaken, ook buiten de directe werkomgeving.

j) Houd het apparaat alléén aan de geïsoleerde grijpvlakken vast, wanneer u werkzaamheden uitvoert waarbij het snijgereedschap verborgen stroomleidingen zou kunnen raken. Het contact van het snijgereedschap met een spanningvoerende leiding kan de metalen apparaatdelen onder spanning zetten en zo tot een elektrische schok leiden.

k) Leg het elektrische gereedschap nooit neer, vóór het inzetstuk volledig tot stilstand is gekomen. Het draaiende inzetgereedschap kan in contact komen met het oppervlak, waardoor u de controle over het elektrische gereedschap kunt verliezen.

l) Laat het elektrische gereedschap niet lopen terwijl u het draagt. Uw kleding kan door toevallig contact met het draaiende inzetgereedschap worden meegenomen en het inzetgereedschap kan zich in uw lichaam boren.

m) Reinig regelmatig de ventilatieopeningen van het elektrische gereedschap. De motorventilator trekt stof in het huis en een sterke ophoping van metaalstof kan elektrische gevaren veroorzaken.

n) Gebruik het elektrische gereedschap niet in de buurt van brandbare materialen. Vonken kunnen deze materialen ontsteken.



**o) Gebruik geen inzetgereedschappen waarvoor vloeibare koelmiddelen vereist zijn.** Het gebruik van water of andere vloeibare koelmiddelen kan tot een elektrische schok leiden.

### Terugslag en bijbehorende waarschuwingen

Terugslag is de plotselinge reactie als gevolg van een vasthakend of geblokkeerd draaiend inzetgereedschap, zoals een slijpschijf, steunschijf, draadborstel, enz. Vasthakend of blokkeren leidt tot abrupte stilstand van het ronddraaiende inzetgereedschap. Daardoor wordt een ongecontroleerd elektrisch gereedschap tegen de draairichting van het inzetgereedschap versneld op de plaats van de blokkering.

Als bijvoorbeeld een slijpschijf in het werkstuk vasthaakt of blokkeert, kan de rand van de slijpschijf die in het werkstuk invalt, zich vastgrijpen. Daardoor kan de slijpschijf uitbreken of een terugslag veroorzaken. De slijpschijf beweegt zich vervolgens naar de bediener toe of van de bediener weg, afhankelijk van de draairichting van de schijf op de plaats van de blokkering. Hierbij kunnen slijpschijven ook breken.

Een terugslag is het gevolg van het verkeerd gebruik of onjuiste gebruiksomstandigheden van het elektrische gereedschap. Terugslag kan worden voorkomen door geschikte voorzorgsmaatregelen, zoals hieronder beschreven.

**a) Houd het elektrische gereedschap goed vast en breng uw lichaam en uw armen in een positie waarin u de terugslagkrachten kunt opvangen. Gebruik altijd de extra handgreep, indien aanwezig, om de grootst mogelijke controle te hebben over terugslagkrachten of reactiemomenten bij het op toeren komen.** De bediener kan door geschikte voorzorgsmaatregelen de terugslag- en reactiekrachten beheersen.

**b) Breng uw hand nooit in de buurt van draaiende inzetgereedschappen.** Het inzetgereedschap kan bij de terugslag over uw hand bewegen.

**c) Mijd met uw lichaam het gebied waarheen het elektrische gereedschap bij een terugslag wordt bewogen.** De terugslag drijft het elektrische gereedschap in de richting die tegengesteld is aan de beweging van de slijpschijf op de plaats van de blokkering.

**d) Werk bijzonder voorzichtig in de buurt van hoeken, scherpe randen, enz. Voorkom dat inzetgereedschappen van het werkstuk terugspringen en vastklemmen.** Het ronddraaiende inzetgereedschap neigt er bij hoeken, scherpe randen of wanneer het terugspringt toe om zich vast te klemmen. Dit veroorzaakt een controleverlies of terugslag.

**e) Gebruik geen ketting- of getand zaagblad.** Dergelijke inzetstukken veroorzaken vaak een terugslag of verlies van controle over het elektrische gereedschap.

### Bijzondere waarschuwingen voor slijp- en doorslijpwerkzaamheden

**a) Gebruik uitsluitend het voor het elektrische gereedschap toegestane slijptoebehoren en de voor dit slijptoebehoren voorziene beschermkap.** Slijptoebehoren dat niet voor het elektrische gereedschap is voorzien, kan niet voldoende worden afgeschermd en is niet veilig.

**b) Gebogen slijpschijven moeten zodanig worden gemonteerd dat het schuuroppervlak niet boven de rand van de veiligheidskap uitsteekt.** Een ondeskundig gemonteerde slijpschijf die boven de rand van de veiligheidskap uitsteekt kan niet afdoende worden afgeschermd.

**c) Gebruik altijd de beschermkap die voor het gebruikte soort slijpgereedschap is voorzien. De beschermkap moet**

**stevig op het elektrische gereedschap zijn aangebracht en zodanig zijn ingesteld dat een maximum aan veiligheid wordt bereikt. Dat wil zeggen dat het kleinste mogelijke deel van het slijpgereedschap open naar de bediener wijst.** De beschermkap moet de bediener beschermen tegen brokstukken en toevallig contact met het slijpgereedschap.

**d) Slijptoebehoren mag alleen worden gebruikt voor de geadviseerde toepassingsmogelijkheden. Bijvoorbeeld: slijp nooit met het zijvlak van een doorslijpschijf.** Doorslijpschijven zijn bestemd voor materiaalafname met de rand van de schijf. Een zijwaartse krachtinwerking op dit slijptoebehoren kan het toebehoren breken.

**e) Gebruik altijd onbeschadigde spanflenzen in de juiste maat en vorm voor de door u gekozen slijpschijf.** Geschikte flenzen steunen de slijpschijf en verminderen zo het gevaar van een slijpschijfbreuk. Flenzen voor doorslijpschijven kunnen verschillen van de flenzen voor andere slijpschijven.

**f) Gebruik geen versleten slijpschijven van grotere elektrische gereedschappen.** Slijpschijven voor grotere elektrische gereedschappen zijn niet geconstrueerd voor de hogere toerentallen van kleinere elektrische gereedschappen en kunnen breken.

### Overige bijzondere waarschuwingen voor doorslijpwerkzaamheden

**a) Voorkom blokkeren van de doorslijpschijf en te hoge aandrukkracht. Slijp niet overmatig diep.** Een overbelasting van de doorslijpschijf vergroot de slijtage en de gevoeligheid voor kantelen of blokkeren en daardoor de mogelijkheid van een terugslag of breuk van het slijptoebehoren.

**b) Mijd de omgeving voor en achter de ronddraaiende doorslijpschijf.** Als u de doorslijpschijf in het werkstuk van u weg beweegt, kan in het geval van een terugslag het elektrische gereedschap met de draaiende schijf rechtstreeks naar u toe worden geslingerd.

**c) Als de doorslijpschijf vastklemt of als u de werkzaamheden onderbreekt, schakelt u het elektrische gereedschap uit en houdt u het rustig tot de schijf tot stilstand is gekomen. Probeer nooit om de nog draaiende doorslijpschijf uit de groef te trekken. Anders kan een terugslag het gevolg zijn.** Stel de oorzaak van het vastklemmen vast en maak deze ongedaan.

**d) Schakel het elektrische gereedschap niet opnieuw in zolang het zich in het werkstuk bevindt. Laat de doorslijpschijf eerst het volledige toerental bereiken voordat u het doorslijpen voorzichtig voortzet.** Anders kan de schijf vasthakken, uit het werkstuk springen of een terugslag veroorzaken.

**e) Ondersteun platen of grote werkstukken om het risico van een terugslag door een ingeklemde doorslijpschijf te verminderen.** Grote werkstukken kunnen onder hun eigen gewicht doorbuigen. Het werkstuk moet aan beide zijden worden ondersteund, vlakbij de slijpgrøef en aan de rand.

**f) Wees bijzonder voorzichtig bij het insteekzagen in bestaande wanden of andere niet-zichtbare bereiken.** De invallende doorslijpschijf kan bij het doorslijpen van gas- of waterleidingen, elektrische leidingen of andere objecten een terugslag veroorzaken.

### Bijzondere waarschuwingen voor schuurwerkzaamheden:

**a) Gebruik geen schuurbladen met te grote afmetingen, maar houd u aan de voorschriften van de fabrikant voor de maten van schuurbladen.** Schuurbladen die over de rand van de steunschijf uitsteken, kunnen verwondingen veroorzaken en kunnen tot blokkeren, scheuren van de schuurbladen of terugslag leiden.

## Bijzondere waarschuwingen voor werkzaamheden met draadborstels:

**a) Let op dat de draadborstel ook tijdens het normale gebruik draadstukken verliest. Overbelast de draden niet door een te hoge aanpersdruk.** Wegvliegende draadstukken kunnen probleemloos door dunne kleding en/of de huid dringen.

**b) Als het gebruik van een beschermkap wordt geadviseerd, dient u te voorkomen dat beschermkap en draadborstel elkaar kunnen raken.** Vlakstaal- en komstaalborstels kunnen door aandrukkracht en centrifugaalkrachten hun diameter vergroten.

## Verdere veiligheids- en werkinstructies

Kijk voor het inschakelen van het apparaat altijd eerst de spindelvergrendelingsknop volledig vrij staat! Na het gebruik van de spindelvergrendeling voor het vast-/losdraaien van de slijpschijf is het mogelijk dat de knop in de vergrendelingsstand blijft steken. Hierdoor kan het apparaat of de accubescherming in werking treden waardoor de spanning terug kan lopen. Zet de schakelaar uit, verwijder de accu en beweeg de schijf voorzichtig heen en weer om de spindelingsvergrendelknop te deblokken.

Opmerking: Als de accubescherming ook geactiveerd is, verwijdert u gewoon de accu uit het apparaat en vervangt u deze, waardoor de bescherming wordt opgeheven.

Bij het schuren van metalen ontstaan vonken. Er op letten dat er geen personen in gevaar worden gebracht. In verband met het brandgevaar mogen zich geen brandbare materialen in de buurt (gebied waar de vonken vallebevinden. Geen stofafzuiging gebruiken)

Voorkom dat vonkenregen en slijpstof het lichaam raken.

Niet aan de draaiende delen komen.

Spanen of splinters mogen bij draaiende machine niet worden verwijderd.

Machine onmiddellijk controleren als sterke trillingen optreden of andere gebreken worden vastgesteld. Controleer de machine om de oorzaak vast te stellen.

Bij extreme gebruiksvoorwaarden (bijv. gladlijpen van metaal met de steun en de vulkaanfiber-slijpschijven) kan in het inwendige van de haakse slijper ernstige verontreiniging ontstaan.

Vanwege kortsluitingsgevaar mogen metaaldeeltjes niet in de luchtschachten terechtkomen.

**WAARSCHUWING!** Voorkom brand, persoonlijk letsel of materiële schade door kortsluiting en dompel het gereedschap, de wisselaccu en het laadtoestel niet onder in vloeistoffen en waarborg dat geen vloeistoffen in de apparaten en accu's kunnen dringen. Corrosieve of geleidende vloeistoffen zoals zout water, bepaalde chemicaliën, bleekmiddelen of producten die bleekmiddelen bevatten, kunnen een kortsluiting veroorzaken.

Wisselakku's en laadapparaten niet openen en alleen in droge ruimtes opslaan. Tegen vocht beschermen.

Wisselakku's van het Akku-Systeem GBS alléén met laadapparaten van het Akku-Systeem GBS laden. Geen akku's van andere systemen laden.

## RESTERENDE GEVAREN

Ook bij het voorgeschreven gebruik van de haakse slijpmachine kunnen bepaalde restrisico's niet volledig worden uitgesloten. De volgende gevaren kunnen zich voordoen en de bediener dient er in het bijzonder op te letten dat het volgende wordt vermeden:

## Letsel veroorzaakt door weggeslingerde deeltjes.

Metalen of schurende deeltjes kunnen de ogen raken en ernstige permanente schade veroorzaken.

Draag een veiligheidsbril die is goedgekeurd voor slijpwerkzaamheden wanneer u het product gebruikt.

## Letsel veroorzaakt door trillingen.

Blootstelling beperken. Zie WAARSCHUWING voor trillingen!

## Letsel als gevolg van stof.

Draag een geschikt stofmasker met filters die bescherming bieden tegen deeltjes van het te bewerken materiaal en slijpdeeltjes van de slijpschijf.

Niet eten, drinken of roken op de werkplek. Zorg voor voldoende ventilatie.

## Letsel door contact met de slijpschijf.

De schijf en het werkstuk worden tijdens het gebruik heet. Draag handschoenen bij het vervangen van schijven of het aanraken van het werkstuk. Houd uw handen te allen tijde uit de buurt van de te slijpen gebied.

Klem het werkstuk altijd vast wanneer mogelijk.

## Letsel als gevolg van lawaai.

Langdurige blootstelling aan lawaai verhoogt het risico op gehoorbeschadiging en de effecten zijn cumulatief. Draag gehoorbescherming wanneer u elektrisch gereedschap langere tijd gebruikt.

Langdurig gebruik van een apparaat kan leiden tot letsel of dit verergeren. Wanneer u gereedschap voor langere tijd gebruikt, moet u regelmatig pauzeren.

## VOORGESCHREVEN GEBRUIK VAN HET SYSTEEM

De haakse slijpmachine is bedoeld voor het slijpen en snijden van metaal-, steen-, beton- en keramische materialen en voor het schuren en borstelen van kabels.

Gebruik bij het zagen de beschermkap uit het accessoire-assortiment.

Neem in twijfelgevallen deaanwijzingen van de toebehorenfabrikant in acht.

Het elektrische gereedschap is alleen geschikt voor de droge bewerking.

Op de haakse slijpmachine mogen uitsluitend geschikte slijp- of snijgeschijven en bijbehorende afschermingen (slijp- of snijbescherming), worden gemonteerd, zoals beschreven in het hoofdstuk productspecificaties van deze handleiding. De haakse slijpmachine is ontworpen voor gebruik met de hand; hij mag niet op een armatuur of werkbank worden gemonteerd.

Gebruik het product op geen andere wijze dan is aangegeven voor het beoogde gebruik.

## ARBEIDSinSTRUCTIES

Bij gebruik van gereedschappen die bedoeld zijn voor wielen met schroefgaten, dient men te controleren dat de schroefdraad in het wiel lang

Doorslijp- en slijpschijven altijd volgens de voorschriften van de fabrikant gebruiken en bewaren.

Bij schuren en doorslijpen altijd met de beschermkap werken.

Gebogen slijpschijven moeten zodanig worden gemonteerd dat het schuuroppervlak niet boven de rand van de veiligheidskap uitsteekt.



De flensmoer moet vóór de ingebruikname van de machine aangeetrokken zijn.

Altijd de zijhandgreep gebruiken.

Het te bewerken werkstuk moet vast worden ingespannen als het niet door het eigen gewicht stabiel ligt. Nooit het werkstuk met de hand tegen de schijf houden.

#### AKKU

Een temperatuur boven de 50°C vermindert de capaciteit van de accu. Langdurige verwarming door zon of hitte vermijden.

De aansluitcontacten aan het laadapparaat en de accu schoonhouden.

Voor een optimale levensduur moeten de accu's na het gebruik volledig opgeladen worden. Langere tijd niet toegepaste wisselakku's vóór gebruik altijd naladen.

Voor een zo lang mogelijke levensduur van de accu's dienen deze na het opladen uit het laadtoestel te worden verwijderd.

Bij een langere opslag van de accu dan 30 dagen, accu bij ca. 27 °C droog bewaren, accu bij ca. 30 % - 50 % van de laadtoestand bewaren, accu om de 6 maanden opnieuw opladen.

Verbruikte accu's niet in het vuur of bij het huisvuil werpen. AEG biedt namelijk een milieuvriendelijke recyclingmethode voor uw oude accu's.

Wisselakku's niet bij metalen voorwerpen bewaren (kortsluitingsgevaar!).

#### OVERBELASTINGSBEVEILIGING VAN DE ACCU

Bij overbelasting van de accu door een zeer hoog stroomverbruik, bijv. extreem hoge draaimomenten, klemmen van het gereedschap, plotselinge stilstand of kortsluiting, stopt het elektrische gereedschap gedurende 2 seconden en schakelt dan automatisch uit. Om de accu te resetten, verwijdert u deze uit het apparaat en vervangt u deze.

Onder extreme belastingen wordt de accu te heet. In dit geval knippen alle lampen van de laadweergave totdat de accu afgekoeld is. Na het doven van de laadweergave kunt u weer verder werken. Steek de accu in het laadtoestel om hem weer op te laden en te activeren.

#### TRANSPORT VAN LITHIUM-IONEN-ACCU'S

Lithium-ionen-accu's vallen onder de wettelijke bepalingen inzake het transport van gevaarlijke goederen.

Voor het transport van deze accu's moeten de lokale, nationale en internationale voorschriften en bepalingen in acht worden genomen.

Verbruikers mogen deze accu's zonder meer over de weg transporteren.

Het commerciële transport van lithium-ionen-accu's door expeditiebedrijven is onderhevig aan de bepalingen inzake het transport van gevaarlijke goederen. De verzendingsvoorbereidingen en het transport mogen uitsluitend worden uitgevoerd door dienovereenkomstig opgeleide personen. Het complete proces moet vakkundig worden begeleid.

Onderstaande punten moeten bij het transport van accu's in acht worden genomen:

Waarborg ter vermindering van kortsluitingen dat de contacten beschermd en geïsoleerd zijn. Let op dat het accupack in de verpakking niet kan verschuiven. Beschadigde of lekkende accu's mogen niet worden getransporteerd. Neem voor meer informatie contact op met uw expeditiebedrijf.

#### HERSTARTBEVEILIGING

De nulspanningsschakelaar voorkomt dat het gereedschap na een stroomonderbreking (batterijwissel) opnieuw opstart.

Bij een hernieuwd begin van de werkzaamheden uitschakelen en weer inschakelen.

#### ZACHTE AANLOOP

De elektronische zachte aanloop zorgt voor een veilig vasthouden van de machine wanneer deze wordt ingeschakeld.

#### ONDERHOUD

Voor alle werkzaamheden aan de apparat de accu verwijderen.

Altijd de luchtspleten van de machine schoonhouden.

Alleen AEG toebehoren en onderdelen gebruiken. Onderdelen welke niet vermeld worden, kunnen het beste door de AEG servicedienst verwisseld worden (zie Serviceadressen).

Onder vermelding van het nummer op het machineplaatje is desgewenst een doorsnedetekening van de machine verkrijgbaar bij: Techtronic Industries GmbH, Max-Eyth-Straße 10, 71364 Winnenden, Germany.

#### EC - VERKLARING VAN OVEREENSTEMMING

We verklaren geheel onder eigen verantwoordelijkheid dat het product in de "Technische data" voldoet aan alle relevante bepalingen van de richtlijnen

2011/65/EU (RoHS)

2006/42/EG

2014/30/EU

en de volgende geharmoniseerde normen zijn gebruikt.

EN 60745-1:2009 + A11:2010

EN 60745-2-3:2011 + A2:2013 + A11:2014 + A12:2014 + A13:2015

EN 55014-1:2017

EN 55014-2:2015

EN 50581:2012



Winnenden, 2018-08-16

Alexander Krug / Managing Director

Gemachtigd voor samenstelling van de technische documenten

Techtronic Industries GmbH

Max-Eyth-Straße 10, 71364 Winnenden, Germany

## SYMBOLEN



OPGELET! WAARSCHUWING! GEVAAR!



Graag instructies zorgvuldig doorlezen vóórdat u de machine in gebruik neemt.



Bij het werken met de machine altijd een veiligheidsbril dragen.



Draag veiligheidshandschoenen!



Voor alle werkzaamheden aan de apparat de akku verwijderen.



ANTI-vibratiesysteem



Geen kracht uitoefenen.



Alleen voor het doorslijpen.



Alleen voor het schuren.



Druk tijdens het starten en tijdens het uitlopen niet op de spilvergrendelingsknop.



Toebehoren - Wordt niet meegeleverd. Is apart leverbaar. Zie hiervoor het toebehorenprogramma.



Reserveonderdeel - Niet inbegrepen in de standaarduitrusting, beschikbaar als reserveonderdeel.



Elektrische apparaten, batterijen en accu's mogen niet via het huisafval worden afgevoerd. Elektrische apparaten en accu's moeten gescheiden worden verzameld en voor een milieuvriendelijke afvoer worden afgegeven bij een recyclingbedrijf. Informeer bij uw gemeente of bij uw vakhandelaar naar recyclingbedrijven en inzamelpunten.

--- Gelijkstroom

**V** Spanning

**n** Nominaal toerental

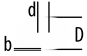
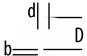

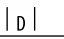
**CE** Europees symbool van overeenstemming



Oekraïens symbool van overeenstemming

**EAC** Euro-Aziatisch symbool van overeenstemming



TEKNISKE DATA Akku vinkelsliber	BEWS18-115BL	BEWS18-125BL
Produktionsnummer	4693 80 01 ... 4690 25 01 ... ... 000001-999999	4693 85 01 ... 4690 40 01 ... ... 000001-999999
Udsiftningsbatteriets spænding	18 V	18 V
Nominelt omdrejningstal	11000 min <sup>-1</sup>	11000 min <sup>-1</sup>
D= Slibeskive-Ø maks. d= borings-ø	115 mm 22,2 mm	125 mm 22,2 mm
 b= Skæreskive tykkelse min. / maks.	1/3 mm	1/3 mm
 b= Slibeskivetykkelse maks.	6 mm	6 mm
 D= Slibefladens diameter maks.	115 mm	125 mm
 D= Korbørstens diameter maks.	75 mm	75 mm
Spindelgevind	M 14	M 14
Vægt svarer til EPTA-procedure 01/2014 (Li-Ion 1,5 Ah...9,0 Ah)	2,4 kg ... 3,1 kg	2,4 kg ... 3,1 kg
Anbefalet omgivelsestemperatur til driften	-18°C ... +50°C	-18°C ... +50°C
Anbefalede batteripakker	L18...	L18...
Anbefalede opladere	AL1218... / BL 1218...	AL1218... / BL 1218...
<b>Støjinformation</b>		
Måleværdier beregnes iht. EN 60745. Værktøjets A-vurderede støjniveau er typisk:		
Lydtrykniveau (Usikkerhed K=3dB(A))	83dB(A)	83dB(A)
Lydeffekt niveau (Usikkerhed K=3dB(A))	84dB(A)	84dB(A)
<b>Brug høreværn!</b>		
<b>Vibrationsinformation</b>		
Samlede vibrationsværdier (værdi for tre retninger) beregnet iht. EN 60745.		
Overfladeslibning (Li-Ion 1,5 Ah): Vibrationseksponering a <sub>n,AG</sub>	9,4m/s <sup>2</sup>	9,4m/s <sup>2</sup>
Usikkerhed K=	1,5 m/s <sup>2</sup>	1,5 m/s <sup>2</sup>
Slibning med slibeblad (Li-Ion 1,5 Ah: Vibrationseksponering a <sub>n,DS</sub> )	5,7m/s <sup>2</sup>	5,7m/s <sup>2</sup>
Usikkerhed K=	1,5 m/s <sup>2</sup>	1,5 m/s <sup>2</sup>

Ved anden anvendelse, f.eks. kapskæring eller slibning med ståltrådsbørste, kan andre vibrationsværdier forekomme!

### ADVARSEL ved vibration!

Svingningsniveauet, som er angivet i disse anvisninger, er målt i henhold til standardiseret måleprocedure ifølge EN 60745 og kan anvendes til indbyrdes sammenligning mellem el-værktøjer. Svingningsniveauet er ligeledes egnet som foreløbigt skøn over svingningsbelastningen.

Det angivne svingningsniveau er baseret på el-værktøjets primære anvendelsesformål. Hvis el-værktøjet benyttes til andre formål, med andet indsatsværktøj eller ikke vedligeholdes tilstrækkeligt, kan svingningsniveauet afvige. Dette kan øge svingningsbelastningen over den samlede arbejdsperiode betydeligt.

For en nøjagtig vurdering af svingningsbelastningen skal der også tages højde for de tidsperioder, hvor apparatet er slukket, eller hvor apparatet kører, men uden at være i anvendelse. Dette kan reducere svingningsbelastningen over den samlede arbejdsperiode betydeligt.

Supplerende sikkerhedsforanstaltninger til beskyttelse af brugeren mod påvirkninger fra svingninger skal iværksættes, f.eks.: Vedligeholdelse af el-værktøj og indsatsværktøj, varmeholdelse af hænder, organisering af arbejdsprocesser.

### ADVARSEL!

Læs alle sikkerhedsanvisninger og øvrige vejledninger. I tilfælde af manglende overholdelse af advarselshenvisningerne og instrukserne er der risiko for elektrisk stød, brand og/eller alvorlige kvæstelser.

**Opbevar alle advarselshenvisninger og instrukser til senere brug.**

Dansk



## Apparatbeskrivelse

- |   |                                  |
|---|----------------------------------|
| ① Spindellås                                    | ⑦ Tilbehør                       |
| ② Ekstra håndtag / AVS<br>Isolerede gribeblader | ⑧ Flange                         |
| ③ Håndtag Isolerede<br>gribeblader              | ⑨ Flangemøtrik /FIXTEC<br>møtrik |
| ④ Tænd-/slukknop                                | ⑩ Batteri                        |
| ⑤ Slibningskærm                                 | ⑪ Støvskaerm                     |
| ⑥ Loftestang til skærm-lås                      | ⑫ Sskæringskærm                  |

## SIKKERHEDSINFORMATIONER FOR VINKELSLIBERE

Fælles advarselshenvisninger til slibning, sandpapirslibning, arbejde med trådbørster, polering og skærearbejde:

- Dette elværktøj kan anvendes som sliber, sandpapirsliber, trådbørste og skæremaskine. Læs og overhold alle advarsler, instruktioner, illustrationer og data, som du modtager i forbindelse med elværktøjet. Overholder du ikke følgende instruktioner, kan du få elektrisk stød, der kan opstå brand og /eller du kan blive kvæstet alvorligt.
- Dette el-værktøj er ikke egnet til polering. Anvendes el-værktøjet til formål, det ikke er beregnet til, kan der opstå farlige situationer, som kan medføre kvæstelser.
- Anvend kun tilbehør, hvis det er beregnet til dette elværktøj og anbefalet af fabrikanten. En mulig fastgørelse af tilbehøret til elværktøjet sikrer ikke en sikker anvendelse.
- Den tilladte hastighed for indsatsværktøjet skal mindst være så høj som den maksimale hastighed, der er angivet på elværktøjet. Tilbehør, der drejer hurtigere end tilladt, kan brække og de enkelte dele flyve fra hinanden.
- Indsatsværktøjets udvendige diameter og tykkelse skal svare til målene på dit elværktøj. Forkert målt indsatsværktøj kan ikke afskæres eller kontrolleres tilstrækkeligt.
- Gevindene på tilbehørsdelene skal passe nøjagtigt til slibespindlens gevind. Ved tilbehørsdele, der monteres med flange, skal borehullet til opspændingsdornen i tilbehørsdelen passe nøjagtigt til lokaliseringsflangens diameter. Tilbehørsdele, der ikke passer på værktøjets monteringsdorn, roterer excentrisk, vibrerer meget kraftigt og kan føre til, at brugeren mister kontrollen over værktøjet.
- Brug ikke el-værktøjet, hvis det er beskadiget. Kontrollér altid før brug indsatsværktøj som f.eks. slibeskiver for

afsplintninger og revner, slibebagskiver for revner, slid eller stærkt slid, trådbørster for løse eller brækkede tråde. Tabes el-værktøjet eller indsatsværktøjet på jorden, skal du kontrollere, om det er beskadiget; anvend evt. et ubeskadiget indsatsværktøj. Når indsatsværktøjet er kontrolleret og indsat, skal du holde dig selv og personer, der befinder sig i nærheden, uden for det niveau, hvor indsatsværktøjet roterer, og lad el-værktøjet køre i et minut ved højeste hastighed. Beskadiget indsatsværktøj brækker for det meste i denne testtid.

h) Brug personligt beskyttelsesudstyr. Brug helmaske til ansigtet, øjenværn eller beskyttelsesbriller, afhængigt af det udførte arbejde. Brug afhængigt af arbejdets art støvmaske, høreværn, beskyttelsehandsker eller specialforklæde, der beskytter dig mod små slibe- og materialepartikler. Øjenene skal beskyttes mod fremmede genstande, der flyver rundt i luften og som opstår i forbindelse med forskelligt arbejde. Støv- eller åndedrætsmaske skal filtrere det støv, der opstår under arbejdet. Udsættes du for høj støj i længere tid, kan du lide høretab.

i) Sørg for tilstrækkelig afstand til andre personer under arbejdet. Enhver, der betræder arbejdsområdet, skal bruge personligt beskyttelsesudstyr. Brudstykker fra emnet eller brækket indsatsværktøj kan flyve væk og føre til kvæstelser også uden for det direkte arbejdsområde.

j) Hold maskinen fast i de isolerede gribeblader, når du udfører arbejde, hvor der er risiko for, at skæreværktøjet kan ramme skjulte strømledninger. Kommer skæreværktøjet i kontakt med en strømførende ledning, kan maskinens metaldele komme under spænding og give elektrisk stød.

k) Læg aldrig elværktøjet fra dig, før indsatsværktøjet er standset helt. Det roterende indsatsværktøj kan komme i kontakt med fralægningsfladen, hvorved du kan tabe kontrollen over elværktøjet.

l) Lad ikke elværktøjet køre, mens det bæres. Dit tøj kan blive fanget ved en tilfældig kontakt med det roterende indsatsværktøj, hvorved indsatsværktøjet kan bore sig ind i din krop.

m) Rengør ventilationsåbningerne på dit el-værktøj med regelmæssige mellemrum. Motorhuset trækker støv ind i huset, og store mængder metalstøv kan være farligt rent elektrisk.

n) Brug ikke el-værktøjet i nærheden af brændbare materialer. Gnister kan sætte ild i materialer.

o) Brug ikke indsatsværktøj, der transporterer flydende kølemiddel. Brug af vand eller andre flydende kølemidler kan føre til elektrisk stød.

## Tilbageslag og tilsvarende advarsler

Tilbageslag er en pludselig reaktion, som skyldes, at et roterende indsatsværktøj (slibemaskine, slibebagskive, trådbørste osv.) har sat sig fast eller blokerer. Fastsættelse eller blokering fører til et pludseligt stop af det roterende indsatsværktøj. Derved accelereres et ukontrolleret el-værktøj mod indsatsværktøjets omløgningsretning på blokeringsstedet.

Sidder f.eks. en slibeskive fast eller blokerer i et emne, kan kanten på slibeskiven, der dykker ned i emnet, blive siddende, hvorved slibeskiven brækker af eller fører til et tilbageslag. Slibeskiven bevæger sig så hen imod eller væk fra betjeningspersonen, afhængigt af skivens drejerejretning på blokeringsstedet. Derved kan slibeskiver også brække.

Et tilbageslag skyldes forkert eller fejlbefættet brug af el-værktøjet. Det kan forhindres ved at træffe egne forsigtighedsforanstaltninger, der beskrives i det følgende.



**a) Hold godt fast i el-værktøjet og sørg for at både krop og arme befinder sig i en position, der kan klare tilbageslagskræfterne. Anvend altid ekstrahåndtaget, hvis et sådant findes, for at have så meget kontrol som muligt over tilbageslagskræfterne eller reaktionsmomenterne, når maskinen kører op i hastighed.** Betjeningspersonen kan beherske tilbageslags- og reaktionskræfterne med egnede forsigtighedsforanstaltninger.

**b) Sørg for at din hånd aldrig kommer i nærheden af det roterende indsatsværktøj.** Indsatsværktøjet kan bevæge sig hen over din hånd i forbindelse med et tilbageslag.

**c) Undgå at din krop befinder sig i det område, hvor el-værktøjet bevæger sig i forbindelse med et tilbageslag.** Tilbageslaget driver elværtøjet i modsat retning af slibeskivens bevægelse på blokeringsstedet.

**d) Arbejd særlig forsigtig i områder som f.eks. hjørner, skarpe kanter osv. Forhindre at indsatsværktøjet slår tilbage fra emnet og sætter sig fast.** Det roterende indsatsværktøj har tendens til at sætte sig fast, når det anvendes i hjørner, skarpe kanter eller hvis det springer tilbage. Dette medfører, at man taber kontrollen eller tilbageslag.

**e) Anvend ikke en kædesavklinge eller en tandet savklinge.** Et sådant indsatsværktøj fører ofte til et tilbageslag eller at man mister kontrollen over elværtøjet.

**Særlige advarselshenvisninger til slibning og skærearbejde**

**a) Brug udelukkende slibeskiver/slibestifter, der er godkendt til dit elværktøj, og den beskyttelseskappe, der er beregnet til disse slibeskiver/slibestifter.** Slibeskiver/slibestifter, der ikke er beregnet til el-værktøjet, kan ikke beskyttes tilstrækkeligt og er usikre.

**b) Forkrøppede slibeskiver skal monteres sådan, at deres slibeflade ikke rager ud over niveauet på beskyttelseskærmens kant.** En ukorrekt monteret slibeskive, der rager ud over niveauet på beskyttelseskærmens kant, kan ikke afskærmes tilstrækkeligt.

**c) Anvend altid beskyttelseskappen, der er beregnet til den anvendte type slibeskiver/slibestifter.** Beskyttelseskappen skal være anbragt sikkert på elværktøjet og være indstillet på en sådan måde, at der nås max. sikkerhed, dvs. at den mindst mulige del af slibeskiven skal pege hen imod betjeningspersonen. Beskyttelseskappen skal beskytte betjeningspersonen mod brudstykker og tilfældig kontakt med slibeskiven/slibestiften.

**d) Slibeskiver/slibestifter må kun anvendes til de anbefalede formål. F.eks.: Slib aldrig med sidefladen på en skæreskive.** Skæreskiver er bestemt til materialeaflslibning med kanten på skiven. Udsættes disse slibeskiver/slibestifter for sidevendt kraftpåvirkning, kan de ødelægges.

**e) Anvend altid ubeskadigede spændeflanger i den rigtige størrelse og form, der passer til den valgte slibeskive.** Egnede flanger støtter slibeskiven og forringer således faren for brud på slibeskiven. Flanger til skæreskiver kan være forskellige fra flanger for andre slibeskiver.

**f) Brug ikke slidte slibeskiver, der passer til større elværktøj.** Slibeskiver til større elværktøj kan brække, da de ikke er egnede til de højere omdrejningstal, som småt elværktøj arbejder med.

**Yderligere særlige advarselshenvisninger til skærearbejde**

**a) Undgå at skæreskiven blokerer eller får for højt modtryk. Foretag ikke meget dybe snit.** Overbelastes skæreskiven, øges skivens belastning og der er større tendens til, at skiven kan sætte sig i

klemme eller blokere, hvilket igen kan føre til tilbageslag eller brud på slibeskiven/slibestiften.

**b) Undgå området for og bag ved den roterende skæreskive.** Bevæger du skæreskiven i emnet væk fra dig selv, kan elværktøjets roterende skive slynges direkte ind mod dig i tilfælde af et tilbageslag.

**c) Sidder skæreskiven i klemme eller afbryder du arbejdet, slukkes elværktøjet og maskinen holdes roligt, til skiven er stoppet. Forsøg aldrig at trække skæreskiven ud af snittet, mens den roterer, da dette kan føre til et tilbageslag.** Lokalisér og afhjælp fejlen.

**d) Tænd ikke for elværktøjet, så længe det befinder sig i emnet. Sørg for at skæreskiven når op på sit fulde omdrejningstal, før du forsigtigt fortsætter snittet.** Ellers kan skiven sætte sig i klemme, springe ud af emnet eller forårsage et tilbageslag.

**e) Understøt plader eller store emner for at reducere risikoen for et tilbageslag som følge af en fastklemt skæreskive.** Store plader kan bøje sig under deres egen vægt. Emnet skal støttes på begge sider, både i nærheden af skæresnittet og ved kanten.

**f) Vær særlig forsigtig med „lommensnit“ i eksisterende vægge eller andre områder, du ikke har indblik til.** Den neddykkende skæreskive kan forårsage et tilbageslag, når der skæres i gas- eller vandledninger, elektriske ledninger eller andre genstande.

**Særlige advarselshenvisninger til sandpapirslibning:**

**a) Anvend ikke overdimensioneret slibepapir, men læs og overhold fabrikantens forskrifter mht. slibepapirets størrelse.** Slibepapirer, der rager ud over slibebagskiven, kan føre til kvæstelser eller blokering eller iturivning af slibepapirerne eller til tilbageslag.

**Særlige advarselshenvisninger i forbindelse med arbejde med trådbørster:**

**a) Bemærk, at trådbørsten mister trådstykker også under almindelig brug. Undgå at overbelaste trådene ved for kraftigt et tryk.** Udslyngede trådstykker kan meget let trænge gennem tynd beklædning og/eller huden.

**b) Anbefales det at bruge en beskyttelseskappe, skal du forhindre, at beskyttelseskappe og trådbørste kan berøre hinanden.** Tallerken- og kopbørster kan øge deres diameter med tryk og centrifugalkraft.

**Yderligere sikkerheds- og arbejdsinformationer**

Kontrollér altid bunden på spindellåsen i helt løs tilstand, før værktøjet tændes! Efter at have brugt spindellåsen til at stramme / løse slibeskiven, kan bunden eventuelt befinde sig i låst position. Det kan have følger for værktøjet eller batteribeskyttelsen at tilføje eller fjerne strøm fra værktøjet. Afbryd strømmen, fjern batteriet forsigtigt, og skub skiven frem og tilbage for at løse bunden på spindellåsen.

Bemærk: Hvis batteribeskyttelsen også var aktiveret, skal batteripakken blot fjernes fra værktøjet og udskiftes, og dermed nulstilles beskyttelsen.

Gnistregn opstår ved slibning af metal. Vær opmærksom på, at personer ikke kommer til skade. På grund af brandfare må brandbare materialer ikke opbevares i nærheden (gnistregnområde). Brug ikke støvsuger.

Undgå at gnistregn og slibestøv rammer din krop.

Pas på ikke at få hånden ind i maskinen.

Spåner eller splinter må ikke fjernes, medens maskinen kører.

Sluk straks for værktøjet, hvis der opstår betydelige svingninger eller der konstateres andre mangler. Kontrollér værktøjet og find frem til årsagen.





Under ekstreme anvendelsesbetingelser (f.eks. glatslibning af metaller med støtteskive og vulkanfiber-slibeskiver) kan det indvendige af vinkelsliberen blive meget snavset.

Metaldele må ikke trænge ind i ventilationsåbningerne, da dette kan føre til kortslutning

**ADVARSEL!** For at undgå risiko for brand, kvæstelser eller beskadigelse af produktet forårsaget af kortslutning må værktøjet, batteripakken eller opladeren ikke nedsænkes i vand. Sørg ligeledes for, at der ikke trænger væske ind i enhederne og batterierne. Korroderende eller ledende væsker, f.eks. saltvand, bestemte kemikalier, blegestoffer eller produkter, som indeholder blegestoffer, kan forårsage kortslutning.

Udskiftningsbatterier og opladere må ikke åbnes og skal opbevares i tørre rum. Beskyt dem mod fugtighed.

Brug kun GBS ladeapparater for opladning af System GBS batterier.

### RESTRISICI

Selv når vinkelsliberen anvendes som foreskrevet, kan visse risikofaktorer ikke helt afskrives. De følgende fæner kan opstå, og operatoren skal være særligt opmærksom på at undgå følgende:

#### **Personskade forårsaget af flyvende partikler.**

Hvis øjnene kommer i kontakt med metal eller slibestøv, kan dette forårsage varig skade.

Bær altid briller, som er godkendt til slibearbejde, når du bruger produktet

#### **Personskade forårsaget af vibration.**

Begræns udsættelsen. Se ADVARSEL ved vibration!

#### **Personskade forårsaget af støv.**

Bær en passende støvkontrolmaske med filtre til beskyttelse mod partikler fra arbejdsområdet, såvel som partikler fra slibeskiven.

Spis, drik og ryg ikke i arbejdsområdet. Sørg for tilstrækkelig udluftning.

#### **Personskade fra kontakt med slibeskiven.**

Skiven og arbejdsområdet kan blive varme under brug. Bær handsker når skiven skal udskiftes eller arbejdsområdet skal berøres. Hold altid hænderne væk fra slibeområdet.

Hold altid arbejdsområdet klemt, hvis muligt.

#### **Personskade forårsaget af larm.**

Ved længere udsættelse for larm er der øget risiko for varige høreskader. Bær høreværn ved arbejde med el-værktøj i længere tid.

Skader kan forårsages, eller forværres af forlænget brug af et værktøj. Når et værktøj bruges længere end tilsigtet, så hold jævnlige pauser.

### TILTÆNKT FORMÅL

Vinkelsliberen er beregnet til slibning og skæring af metal, sten, cement og keramisk materiale, samt sand- og trædborstning.

Brug skæringshætten fra tilbehøret ved skæringsanvendelser.

Er du i tvivl, så læs vejledningen fra producenten af tilbehøret.

Det elektriske værktøj er kun egnet til tørløbning og -skæring.

Der må kun anvendes passende slibe- og skæringskiver, og dertilhørende beskyttelsesudstyr (slibe- og skæringsbeskyttelse), som beskrevet i produktspecifikationen i denne vejledning.

Vinkelsliberen er udviklet til manuel brug; den må ikke monteres på en fastgørelsesenhed eller arbejdsbænk.

Brug ikke produktet til andre formål, end de her beskrevne.

### ARBEJDSANVISNINGER

For værktøj hvorpå der skal monteres hjul med gevindskåret hul, skal De sikre, at gevindet i hjulet er langt nok til at rumme aksellængden.

Benyt og opbevar kun skære- og slibeskiver iht. fabrikantens angivelser.

Anvend altid sikkerhedsskærm ved skrubning og skæring.

Forkroppede slibeskiver skal monteres sådan, at deres slibeflade ikke rager ud over niveauet på beskyttelsesskærmens kant.

Flangemøtrikken skal spændes inden maskinen tages i brug.

Brug altid støttegrebet.

Det arbejdsområde, som skal bearbejdes, fastspændes, medmindre det holdes på plads af arbejdsområdets egen vægt. Før aldrig emnet mod skiven med hånden.

### BATTERI

Ved temperaturer over 50°C formindskes batteriets effekt. Undgå direkte sollys og stærk varme.

Tilslutningskontakterne på oplader og udskiftningsbatterier skal holdes rene.

For at opnå en optimal levetid skal de genopladelige batterier oplades fuldt efter brug. Udskiftningsbatterier, der ikke har været brugt i længere tid, efterlades inden brug.

For at sikre en så lang levetid som muligt skal batterierne tages ud af ladeaggregatet efter opladning.

Skal batterierne opbevares længere end 30 dage, Temperatur ca. 27°C i tørre omgivelser., Opbevares ved ca. 30%-50% af ladetilstanden., Batteri skal genoplades hver 6. måned.

Opbrugte udskiftningsbatterier må ikke brændes eller kasseres sammen med alm. husholdningsaffald. AEG har en miljørigtig bortskaffelse af gamle udskiftningsbatterier, henvend Dem til Deres forhandler.

Opbevar ikke udskiftningsbatterier sammen med metalgenstande for kortslutning.

### OVERBELASTNINGSSIKRING FOR BATTERI

Ved overbelastning af akkumulatoren på grund af et meget højt strømforbrug, f.eks. ekstremt høje drejningsmomenter, klemning af det indsatte værktøj, pludseligt stop eller kortslutning, stopper el-værktøjet i 2 sekunder og slukker automatisk. For at nulstille, skal batteripakken fjernes fra værktøjet og udskiftes.

Ved ekstreme belastninger bliver batteriet for varmt. I så fald blinker alle lamper på ladeindikatoren, indtil batteriet er kølet af. Når ladeindikatoren går ud, kan arbejdet genoptages. Sæt batteriet i ladeadapteren for at genoplade det og aktivere det.

### TRANSPORT AF LITHIUM-BATTERIER

Lithium-batterier er omfattet af lovgivningen om transport af farligt gods.

Transporten af disse batterier skal ske under overholdelse af lokale, nationale og internationale regler og bestemmelser.

Forbrugere må transportere disse batterier på veje uden yderligere krav.

Den kommercielle transport af lithium-batterier ved speditorsfirmaer er omfattet af reglerne for transport af farligt gods. Forberedelsen af forsendelse og transport må kun udføres af tilsvarende trænedne personer. Den samlede proces skal følges af fagfolk.

Følgende punkter skal overholdes ved transport af batterier:



Sørg for at kontakterne er beskyttet og isoleret for at forhindre kortslutninger. Sørg for at batteripakken ikke kan bevæge sig inden for emballagen. Beskadigede eller lækkende batterier må ikke transporteres. Kontakt dit speditjonsfirma for at få yderligere oplysninger.

### GENSTARTSBESKYTTELSE

Nulspændingskontakten forhindrer, at maskinen genstarter efter en strømafbrydelse (batteriskift).

For at genoptage arbejdet skal maskinen slukkes og tændes igen.

### BLØD OPSTART

Elektronisk blød opstart til sikker håndtering; hindrer ved indkobling en maskinstart i ryk.

### VEDLIGEHOLDELSE

Ved arbejde inden i maskinen, bør batteriet tages ud.

Hold altid maskinens ventilationsåbninger rene.

Brug kun AEG tilbehør og reservedele. Lad de komponenter, hvis udskiftning ikke er blevet beskrevet, udskifte hos Atlas Copco service (se kundeserviceadresser).

Ved opgivelse af type nr. der er angivet på maskinens effektskilt, kan de rekvirere en reservedelstegning, ved henvendelse til: Techtronic Industries GmbH, Max-Eyth-Straße 10, 71364 Winnenden, Germany.

### CE-KONFORMITETSERKLÆRING

Vi erklærer som eneansvarlige, at produktet, som beskrives under „Tekniske data“, opfylder alle de relevante bestemmelser i direktiverne

2011/65/EU (RoHS)

2006/42/EF

2014/30/EU

og følgende harmoniserede standarder er blevet anvendt.

EN 60745-1:2009 + A11:2010

EN 60745-2-3:2011 + A2:2013 + A11:2014 + A12:2014 + A13:2015

EN 55014-1:2017

EN 55014-2:2015

EN 50581:2012



Winnenden, 2018-08-16

Alexander Krug / Managing Director

Autoriseret til at udarbejde de tekniske dokumenter.

Techtronic Industries GmbH

Max-Eyth-Straße 10, 71364 Winnenden, Germany

### SYMBOLER



VIGTIGT! ADVARSEL! FARE!



Læs brugsanvisningen nøje før ibrugtagning.



Når der arbejdes med maskinen, skal man have beskyttelsesbriller på.



Brug beskyttelseshandsker!



Ved arbejde inden i maskinen, bør batteriet tages ud.



ANTI vibrationssystem



Brug ikke kraft.



Kun til skærearbejder.



Kun til slibearbejder.



Tryk ikke på bunden af spindellåsen, når der startes og drosles ned.



Tilbehør - Ikke inkluderet i leveringsomfanget, køb købes som tilbehør.



Reservedel - Ikke inkluderet i standardudstyret, fås som en reservedel.



Elektrisk udstyr eller (genopladelige) batterier må ikke bortskaffes sammen med det almindelige husholdningsaffald. Elektrisk udstyr og genopladelige batterier skal indsamles særskilt og afleveres hos en genbrugsvirksomhed til en miljømæssig forsvarlig bortskaffelse. Spørg de lokale myndigheder eller din forhandler om genbrugsstationer og indsamlingssteder til sådant affald.

--- Jævnstrøm

V Spænding

n Nominelt omdrejningstal



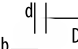
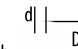
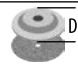
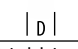
Europæisk konformitetsmærke



Ukrainsk konformitetsmærke



Eurasisk konformitetsmærke

TEKNISKE DATA Batteridrevne vinkelsliper	BEWS18-115BL	BEWS18-125BL
Produksjonsnummer	4693 80 01 ... 4690 25 01 ... ... 000001-999999	4693 85 01 ... 4690 40 01 ... ... 000001-999999
Spenning vekselbatteri	18 V	18 V
Nominelt turtall	11000 min <sup>-1</sup>	11000 min <sup>-1</sup>
D= slipeskive-Ø maks. d= hull-Ø  b= Tykkelse av kappeskiver. minimum / maks.  b= Slipeskivetykkelse maks.	115 mm 22,2 mm 1/3 mm 6 mm	125 mm 22,2 mm 1/3 mm 6 mm
 D= Slipeflater-Ø maks.	115 mm	125 mm
 D= Stålbørster-Ø maks.	75 mm	75 mm
Spindelgjenge	M 14	M 14
Vekt i henhold til EPTA-Prosedyren 01/2014 (Li-Ion 1,5 Ah...9,0 Ah)	2,4 kg ... 3,1 kg	2,4 kg ... 3,1 kg
Anbefalt omgivelsestemperatur for drift	-18°C ... +50°C	-18°C ... +50°C
Anbefalte batteripakker	L18...	L18...
Anbefalte ladere	AL1218... / BL 1218...	AL1218... / BL 1218...
<b>Støyinformasjon</b>		
Måleverdier fastslått i samsvar med EN 60745. Det typiske A-bedømte støynivået for maskinen er:		
Lydtrykknivå (Usikkerhet K=3dB(A))	83dB(A)	83dB(A)
Lydeffektnivå (Usikkerhet K=3dB(A))	84dB(A)	84dB(A)
<b>Bruk hørselsvern!</b>		
<b>Vibrasjonsinformasjoner</b>		
Totale svingningsverdier (vektorsum fra tre retninger) beregnet jf. EN 60745.		
Sliping av overflater (Li-Ion 1,5 Ah): Svingningsemisjonsverdi a <sub>h,AG</sub>	9,4m/s <sup>2</sup>	9,4m/s <sup>2</sup>
Usikkerhet K=	1,5 m/s <sup>2</sup>	1,5 m/s <sup>2</sup>
Sliping med slipeblad (Li-Ion 1,5 Ah): Svingningsemisjonsverdi a <sub>h,DS</sub>	5,7m/s <sup>2</sup>	5,7m/s <sup>2</sup>
Usikkerhet K=	1,5 m/s <sup>2</sup>	1,5 m/s <sup>2</sup>

Ved andre anvendelser, som f.eks. kutting eller sliping med stålbørste, kan andre vibrasjonsverdier oppstå!

### ADVARSEL for vibrasjon!

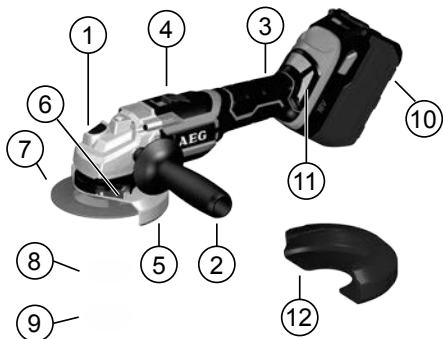
Svingningsnivået som er angitt i denne instruksjonen er målt i overensstemmelse med målemetoden normert i direktiv EN 60745 og kan brukes til å sammenligne elektromaskiner med hverandre. Den egner seg også for en foreløbig vurdering av svingningsbelastningen. Det angitte svingningsnivået representerer de hovedsaklige bruk av elektroverktøyet. Men anvendes elektroverktøyet for andre bruk med avvikende utskiftbare verktyøyer eller vedlikeholdet er utilstrekkelig, kan svingningsnivået være avvikende. Dette kan forhøye svingningsbelastning betydelig over hele arbeidsperioden. For en nøyaktig vurdering av svingningsbelastningen må også det tas hensyn til tiden apparatet er avslått eller står på, men ikke er i bruk. Dette kan redusere svingningsbelastningen betydelig over hele arbeidsperioden. Innfør også ekstra sikkerhetstiltak for å beskytte bruker mot utvirkingen av svingningene. Disse kan f.eks. være: vedlikehold av elektroverktøyet og det utskiftbare verktyøyet, holde hendene varme, organisasjon av arbeidsforløpet.

### ADVARSEL!

**Les alle sikkerhetsinstrukser og bruksanvisninger.** Feil ved overholdelsen av advarslene og nedenstående anvisninger kan medføre elektriske støt, brann og/eller alvorlige skader.

**Ta godt vare på alle advarslene og informasjonene.**





### Beskrivelse av verktøyet

- |  |                              |
|--|------------------------------|
| ① Spindellåsen   | ⑥ Sikkerhetsdekselsspake     |
| ② Tillegghåndtak / AVS<br>Tillegghåndtak<br>Isolert gripeflate | ⑦ Tilbehør                   |
| ③ Håndtak Isolert gripeflate                                   | ⑧ Flens                      |
| ④ På-av bryter   | ⑨ Flensmutter /FIXTEC skruer |
| ⑤ Slipeskivtette   | ⑩ Batteri                    |
|  | ⑪ Støvfilter                 |
|  | ⑫ Skjærebekyttelse           |

### ⚠ SIKKERHETSINSTRUKSJONER FOR VINKELSLIPER

**Felles advarsler om sliping, sandpaprsliping, arbeid med stålborster, polering og kapping:**

- Dette elektroverktøyet skal brukes som sliper, sandpaprsliper, stålborste og kuttessliper.. Følg alle advarsler, anvisninger, bilder og data som du får levert sammen med elektroverktøyet.** Hvis du ikke følger følgende anvisninger, kan det oppstå elektriske støt, ild og/eller store skader.
- Dette elektroverktøyet er ikke egnet til polering.** Bruk som elektroverktøyet ikke er konstruert for, kan forårsake farer og skader.
- Ikke bruk tilbehør som ikke er spesielt beregnet og anbefalt av produsenten for dette elektroverktøyet.** Selv om du kan feste tilbehøret på elektroverktøyet ditt, garanterer dette ingen sikker bruk.
- Det tillatte omdreiningsstallet til elektroverktøyet må være minst så høyt som det maksimale omdreiningsstallet som er oppgitt på elektroverktøyet.** Tilbehør som dreier seg raskere enn tillatt kan brenne og slynges rundt.
- Utvendig diameter og tykkelse på innsatsverktøyet må tilsvare målene for elektroverktøyet.** Gale innsatsverktøy kan ikke sikres eller kontrolleres tilstrekkelig.
- Gjengene til tilbehørsdelene skal stemme overens med gjengene til slipespindelen. Ved tilbehørsdeler som flenses på, skal boringen for oppspenningstabben i tilbehørsdelen stemme overens med diameteren til lokaliseringsslensen.** Tilbehørsdeler som ikke passer på montage tabben til apparatet går ikke sentrisk, vibrerer overstadig sterkt og derfor kan det føre til at man mister kontrollen over verktøyet.
- Ikke bruk skadede innsatsverktøy. Sjekk før hver bruk om innsatsverktøy slik som slipeskiver er splintret eller revnet, om slipetallerkener er revnet eller svært slitt, om stålborster**

har løse eller har brukkede tråder. Hvis elektroverktøyet eller innsatsverktøyet faller ned, må du kontrollere om det er skadet eller bruk et ikke skadet innsatsverktøy. Når du har kontrollert og satt inn innsatsverktøyet, må du holde personer som oppholder seg i nærheten unna det roterende innsatsverktøyet og la elektroverktøyet gå i ett minutt med maksimalt turtall. Som regel brenner skadede innsatsverktøy i løpet av denne testtiden.

**h) Bruk personlig beskyttelsesutstyr. Avhengig av typen bruk må du bruke visir, øyebeskyttelse eller vernebriller. Om nødvendig må du bruke støvmaske, hørselvern, vernehansker eller spesialforkle som holder små slipe- og materialpartikler unna kroppen din.** Øynene bør beskyttes mot fremmedlegemer som kan fly rundt ved visse typer bruk. Støv- eller pustevernmasker må filtrere den typen støv som oppstår ved denne bruken. Hvis du er utsatt for sterk støv over lengre tid, kan du miste hørselen.

**i) Pass på at andre personer holder tilstrekkelig avstand til arbeidsområdet ditt. Alle som går inn i arbeidsområdet må bruke personlig verneutstyr.** Brukte deler til verktøyet eller brukte innsatsverktøy kan slynges ut og derfor også forårsake skader utenfor det direkte arbeidsområdet.

**j) Hold apparatet i de isolerte holdeflatene, når det arbeides på steder hvor elektroverktøyet kan treffe skjulte strømledninger.** Hvor en ledning som er under spenning, kan også sette metalldele til apparatet under spenning og føre til et elektrisk slag.

**k) Legg aldri fra deg elektroverktøyet før verktøyet har stanset helt.** Det roterende innsatsverktøyet kan komme i kontakt med overflaten der maskinen legges ned, slik at du kan miste kontrollen over elektroverktøyet.

**l) La aldri elektroverktøyet være innkoblet mens du bærer det.** Tøyet ditt kan komme inn i det roterende innsatsverktøyet hvis det tilfeldigvis kommer i kontakt med verktøyet og innsatsverktøyet kan da bore seg inn i kroppen din.

**m) Rengjør ventilasjonsåpningene til elektroverktøyet med jevne mellomrom.** Motorviften trekker støv inn i huset, og en stor oppsamling av metallstøv kan medføre elektrisk fare.

**n) Ikke bruk elektroverktøyet i nærheten av brennbare materialer.** Gnister kan antenne disse materialene.

**o) Bruk ikke innsatsverktøy som krever flytende kjølemidler.** Bruk av vann eller andre flytende kjølemidler kan føre til elektriske støt.

### Tilbakeslag og tilsvarende advarsler

Tilbakeslag er innsatsverktøyet plutselige reaksjon etter at det har hengt seg opp eller blokkerer. Dette kan gjelde slipeskiven, slipetallerkenen, stålborsten osv.. Opphenging eller blokkering fører til at det roterende innsatsverktøyet stanser helt plutselig. Slik akselereres et ukontrollert elektroverktøy mot innsatsverktøyet dreieretning på blokkeringstedet.

Hvis f. eks. en slipeskive henger seg opp eller blokkerer i arbeidsstykket, kan kanten på slipeskiven som dykker inn i arbeidsstykket, henge seg opp og slik brenner slipeskiven eller forårsaker et tilbakeslag. Slipeskiven beveger seg da mot eller bort fra brukeren, avhengig av skivens dreieretning på blokkeringstedet. Slik kan slipeskiver også brenne.

Et tilbakeslag er resultat av en gal eller feilaktig bruk av elektroverktøyet. Det kan unngås ved å følge egnede sikkerhetstiltak som beskrevet nedenstående.

**a) Hold elektroverktøyet godt fast og plasser kroppen og armene dine i en stilling som kan ta imot**



Nor

**tilbakeslagskrefter. Bruk alltid ekstrahåndtak** – hvis dette finnes – for å ha størst mulig kontroll over tilbakeslagskrefter eller reaksjonsmomenter ved oppkjøring. Brukeren kan beherske tilbakeslags- og reaksjonsmomenter med egnede tiltak.

**b) Hold aldri hånden i nærheten av det roterende innsatsverktøyet.** Innsatsverktøyet kan bevege seg over hånden din ved tilbakeslag.

**c) Unngå å kroppen din befinner seg i området der elektroverktøyet vil bevege seg ved et tilbakeslag.** Tilbakeslaget driver elektroverktøyet i motsatt retning av slipekivens dreieretning på blokkeringsstedet.

**d) Vær spesielt forsiktig i hjørner, på skarpe kanter osv. Du må forhindre at innsatsverktøyet avpelles fra arbeidsstykket eller klemmes fast.** Det roterende innsatsverktøyet har en tendens til å klemmes fast i hjørner, på skarpe kanter eller hvis det avpelles. Dette forårsaker kontrolltap eller tilbakeslag.

**e) Ikke bruk sagbleadet med kjeder eller tenner.** Slike verktøy forårsaker ofte et tilbakeslag eller at man mister kontrollen over elektroverktøyet.

### Spesielle advarsler om sliping og kapping

**a) Bruk kun slipekiver som er godkjent for dette elektroverktøyet og et vernedeksel som er konstruert for denne typen slipekive.** Slipekiver som ikke ble konstruert for dette elektroverktøyet, kan ikke beskyttes tilsvarende og er ikke sikre.

**b) Bøye slipekiver skal monteres slik at slipeflaten ikke rager ut over kanten av vernehettens flate.** Usakkyndig monterte slipekiver som rager utover kanten på vernehettens flate kan ikke bli tilstrekkelig avskjermet.

**c) Bruk alltid vernedekselet som ble konstruert for den slipekivetypen du bruker. Vernedekselet må monteres sikkert på elektroverktøyet og innstilles slik at det oppnås så stor sikkerhet som mulig, dvs. den minste delen på slipekiven skal peke åpent mot brukeren.** Vernedekselet skal beskytte brukeren mot avbrukne deler og tilfeldig kontakt med slipekiven.

**d) Kappeskivene får kun benyttes for de anbefalte bruksmulighetene f. eks.: Slip aldri med kappeskivens sideflate. Kappeskivene er ment brukt til materialsliping med skivekanten. Hvis slipelegemet påvirkes fra siden, kan det brykke.**

Slipekiver må kun brukes til anbefalt type bruk. F. eks.: Ikke slip med sideflaten til en kappeskive. Kappeskiver er beregnet til materialfjerning med kanten på skiven. Innvirkning av krefter fra siden kan føre til at slipekivene brykker.

**e) Bruk alltid uskadede spennflenser i riktig størrelse og form for den slipekiven du har valgt.** Egnede flenser støtter slipekiven og reduserer slik faren for at slipekiven brykker. Flenser for kappeskiver kan være annerledes enn flenser for andre slipekiver.

**f) Ikke bruk slitte slipekiver fra større elektroverktøy.** Slipekiver for større elektroverktøy er ikke beregnet til de høyere turtall på mindre elektroverktøy og kan brykke.

### Ytterligere spesielle advarsler for kappesliping

**a) Unngå blokkering av kappeskiven eller for sterkt presstrykk. Ikke utfør for dype snitt.** En overbelastning av kappeskiven øker slitasjen og tendensen til fastkiling eller blokkering og dermed også muligheten til tilbakeslag eller brudd på slipekiven.

**b) Unngå området foran og bak den roterende kappeskiven.** Hvis kappeskiven beveger seg bort fra deg i arbeidsstykket, kan elektroverktøyet med den roterende skiven ved tilbakeslag slynge direkte mot kroppen din.

**c) Hvis kappeskiven blokkerer eller du avbryter arbeidet, slår du av elektroverktøyet og holder det rolig til skiven er stanset helt. Forsøk aldri å trekke den roterende kappeskiven ut av snittet, ellers kan det oppstå et tilbakeslag.** Finn og fjern årsaken til blokkeringen.

**d) Ikke start elektroverktøyet igjen så lenge det befinner seg i arbeidsstykket. La kappeskiven oppnå det maksimale turtallet før du fortsetter forsiktig med snittet.** Ellers kan skiven henge seg opp, springe ut av arbeidsstykket eller forårsake tilbakeslag.

**e) Støtt plater eller store arbeidsstykker for å redusere risikoen for tilbakeslag fra en fastklemt kappeskive.** Store arbeidsstykker kan bøyes av sin egen vekt. Arbeidsstykket må støttes på begge sider, både nær kappesnittet og på kanten.

**f) Vær spesielt forsiktig ved „lommekutt“ i ferdige vegger eller andre områder som ikke kan sees inn i.** Den inntrengende kappeskiven kan treffe på gass- eller vannledninger, elektriske ledninger eller gjenstander som kan forårsake tilbakeslag.

### Spesielle advarsler om sandpapiersliping:

**a) Ikke bruk overdimensjonerte slipekiver, følg produsentens informasjonen om slipepapir-størrelsen.** Slipekiver som peker ut over slipefalterkenen kan forårsake skader og føre til at slipekivene blokkerer eller revner eller til at det oppstår tilbakeslag.

### Spesielle advarsler for arbeid med stålborster:

**a) Vær oppmerksom på at stålborsten også ved normal bruk mister deler. Ikke overbelast borsten med for høyt trykk.** Stålparkene løsner kan lett trenge gjennom tynne klær og/eller inn i huden.

**b) Hvis det anbefales å bruke et vernedeksel, må du forhindre at vernedekselet og stålborsten kan berøre hverandre.** Tallrør- og kobbørster kan få større diameter med presstrykk og sentrifugalkrefter.

### Ytterligere sikkerhets- og arbeidsinstruksjoner

Kontroller alltid at spindellåsekappen er helt frigjort før du slår på verktøyet! Etter bruk av spindellåsen for å stramme / løse slipekiven, er det mulig at knappen kan holde seg i låsestillingen. Selv om det kan føre til at verktøyet eller batteribeskyttelsen virker sammen og fjerner strømmen til verktøyet. Slå av bryteren, ta ut batteriet og rist deretter skiven forsiktig frem og tilbake for å frigjøre spindellåsekappen.

OBS: Hvis batteribeskyttelsen også er aktivert, fjerner du bare batteripakken fra verktøyet og erstatter den, og gjenoppretter dermed beskyttelsen.

Ved sliping av metall flyr det gnister. Pass på at ingen personer blir utsatt for fare. På grunn av brannfaren må det ikke finnes noen brennbare materialer i nærheten (gnistområdet). Ikke bruk støvavsug.

Unngå å flyvende gnister og slipestøv treffer kroppen.

Ikke grip inn i fareområdet mens maskinen er i gang.

Spon eller fliser må ikke fjernes mens maskinen er i gang.

Slå straks av apparat når det oppstår store svingninger eller du fastslår andre mangler. Kontroller maskinen for å fastslå årsaken.

Under ekstreme bruksforhold (f.eks. ved glattslipeing av metall med støtteskive og vulkanfiber-slipekiver) kan det legges seg mye skitt inne i vinkelsliperen.

På grunn av kortslutningsfare må metalleder ikke komme inn i lufteåpningene.

ADVARSEL! For å unngå fare for en brann forårsaket av en kortslutning, av personskader eller skader av produktet, må det forhindres



at batteripakken eller laderen dyppes i væsker og også sørges for at ingen væsker kan komme inn i apparatene eller batteriene. Korroderende og ledende væsker som saltvann, visse kjemikalier og blekemidler eller produkt som inneholder blekemidler kan forårsake en kortslutning.

Ikke åpne vekselbatterier og ladere, de skal oppbevares i tørre rom. Beskyttes mot fuktighet.

Vekselbatterier av systemet GBS skal kun lades med lader av systemet GBS. Ikke lad opp batterier fra andre systemer.

## RESTFARER

Selv når vinkelsliperen brukes som beskrevet, er det fortsatt umulig å eliminere visse gjenværende risikofaktorer. Følgende farer kan oppstå, og operatøren bør være veldig oppmerksom på følgende:

### Skader forårsaket av partikler som er blitt kastet av.

Metall- eller slipemiddelpartikler kan komme inn i øynene og forårsake alvorlig permanent skade.

Bruk vernebriller godkjent for sliping når du bruker produktet

### Skader forårsaket av vibrasjoner.

Begrens eksponering. Se ADVARSEL for vibrasjon!

### Skader forårsaket av støv.

Bruk egnet støvkontrollmaske med filtre egnet for å beskytte mot partikler fra materialet som bearbeides og slipende partikler fra slipeskiven.

Ikke spis, drikk eller røyk i arbeidsområdet. Sørg for tilstrekkelig ventilasjon.

### Skader ved kontakt med slipeskiven.

Skiven og arbeidsstykket blir varmt under bruk. Bruk hansker når du skifter skiver eller berører arbeidsstykke. Hold hendene vekk fra slipeområdet til enhver tid.

Klem arbeidsstykket når det er mulig.

### Skader forårsaket av støv.

Langvarig eksponering for støv vil øke risikoen for hørselsskader, og effektene er kumulative. Ved bruk av kraftverktøy i lengre tid, bruk hørselsvern.

Skader kan forårsakes eller forverres ved langvarig bruk av et verktøy. Når du bruker et verktøy over lengre perioder, bør du ta regelmessige pauser.

## FORMÅLSMESSIG BRUK

Vinkelsliperen er beregnet for sliping og skjæring av metall, stein, betong og keramiske materialer samt sliping og stålborsting.

Bruk en sagehette fra tilbehørslisten når du sager.

I tvilstilfeller ta hensyn til instruksjonene til produsenten av tilbehøret.

Elektroverktøyet er kun egnet for tørr bearbeiding.

Bare hensiktsmessige slipe- eller skjæreskiver og relaterte vern (slipevern eller skjærevern) som beskrevet i produktspesifikasjonsdelen i denne håndboken, skal monteres på vinkelsliperen.

Vinkelsliperen er utformet for håndholdt bruk; den skal ikke monteres på en fikstur eller arbeidsbenk.

Ikke bruk produktet på annen måte enn det som er angitt for beregnet bruk.

## ARBEIDSTRUKSJONER

For verktøy som skal tilpasses hjul med gjengete hull, påse at gjengen i hjulet er langt nok til spindelengden.

Bruk og oppbevar kappe- og slipeskiver alltid i henhold til produsentens anvisninger.

Arbeid alltid med verne decksel ved rubbing og kapping.

Bøyde slipeskiver skal monteres slik at slipeflaten ikke rager ut over kanten av vernehettens flate.

Flensmutteren må være trukket til før maskinen startes.

Bruk alltid ekstrahåndtaket.

Det emnet som skal bearbeides må være fastspent, hvis det ikke blir holdt av sin egen vekt. Før aldri emnet med hånden mot skiven.

## BATTERIER

En temperatur over 50°C reduserer vekselbatteriets kapasitet.

Unngå oppvarming i sol eller ved varmeovner (fyring) i lengre tid.

Hold tilkopplingskontaktene på lader og vekselbatteri rene.

For optimal holdbarhet må batteriene lades opp helt etter bruk.

Vekselbatterier som ikke er brukt over lengre tid skal etterlades før bruk.

For å sikre en lengst mulig brukstid av batteriene skal disse etter oppladning taes ut av laderen.

Ved lagring av batteriene lengre enn 30 dager: Lagre batteriet rørt ved ca. 27°C., Lagre batteriet ved en oppladningstilstand på ca. 30%-50%., Lade opp batteriet igjen etter 6 måneder.

Ikke kast brukte vekselbatterier i varmen eller husholdningsavfallet. AEG tilbyr en miljøriktig deponering av gamle vekselbatterier; vennligst spør din fagforhandler.

Ikke oppbevar vekselbatterier sammen med metallgjenstander (kortslutningsfare).

## OVERBELASTNINGSVERN FOR OPPLADBARE

### BATTERIER

Ved overbelastning av det oppladbare batteriet på grunn av svært høyt strømforbruk f.eks. ved ekstremt høye dreiemomenter, hekking av verktøy som monteres på, plutselige stopp eller kortslutning, stopper elektroverktøyet i 2 sekund og så slår det seg selvstendig av. For å tilbake stille, fjern batteripakken fra verktøyet og erstatt det.

Ved ekstreme belastninger opphører det oppladbare batteriet seg for sterkt. I slike tilfeller blinker alle lampene på displayet til batteriet er avkjølt. Når lampene har sluttet å blinke, kan man fortsette å arbeide. Sett batteriet da i laderen for å få det oppladet og aktivert igjen

## TRANSPORT AV LITIUM-ION-BATTERI

Litium-ion-batterier faller under de lovfestede forskriftene om transport av farlig gods.

Transporten av disse batteriene må rette seg etter lokale, nasjonale og internasjonale forskrifter og bestemmelser.

Forbruker har lov å transportere disse batteriene på gaten uten reglementering.

Den kommersielle transport av Litium-ion-batterier av spedisjonsfirma faller under bestemmelsene om transport av farlig gods. Forberedningene av forsendelsen og transport skal utelukkende gjennomføres av personer som har blitt skolert til dette. Hele prosessen skal følges opp av folk.

Følgende punkter skal tas hensyn til ved transport:

Kontroller at kontaktene er beskyttet og isolert for å unngå kortslutninger. Pass på at batteripakken i forpakningen ikke kan skli fram og tilbake. Skadede eller batterier som lekker er det ikke lov å transportere. Ta kontakt med spedisjonsfirma for ytterligere henvisninger.



Nor

## AUTOMATISK GJENSTARTSBESKYTTELSE

Nullspenningsbryteren forhindrer at maskinen starter å gå igjen etter et strømbrydd (skifting av batteri).

Maskinen må slås av og på igjen før man kan begynne å arbeide igjen.

## LETTOPPSTARTING

Gjennom elektronisk lettoppstarting aksellererer maskinen kontinuerlig til det som er blitt valgt

## VEDLIKEHOLD

Ta ut vekselbatteriet før du arbeider på maskinen

Hold alltid luftenåpningene på maskinen rene.

Bruk kun AEG tilbehør og reservedeler. Komponenter der utskifting ikke er beskrevet skal skiftes ut hos AEG kundeservice (se brosjyre garanti/kundeserviceadresser).

Ved behov kan du be om en eksplosjonsteikning av apparatet hos din kundeservice eller direkte hos Techtronic Industries GmbH, Max-Eyth-Strasse 10, 71364 Winnenden, Germany. Oppgi maskintype og det nummeret på typeskiltet.

## CE-SAMSVARERKLÆRING

Vi erklærer i alene ansvar at produktet beskrevet i „Teknisk data“ overensstemmer med alle relevante forskrifter til Eu direktiv 2011/65/EU (RoHS)

2006/42/EC

2014/30/EU

og de følgende harmoniserte normative dokumentene. fyrstikker EN 60745-1:2009 + A11:2010

EN 60745-2-3:2011 + A2:2013 + A11:2014 + A12:2014 + A13:2015

EN 55014-1:2017

EN 55014-2:2015

EN 50581:2012



Winnenden, 2018-08-16

Alexander Krug / Managing Director

Autorisert til å utarbeide den tekniske dokumentasjonen

Techtronic Industries GmbH

Max-Eyth-Strasse 10, 71364 Winnenden, Germany

## SYMBOLER



OBS! ADVARSEL! FARE!



Les nøye gjennom bruksanvisningen før maskinen tas i bruk.



Bruk alltid vernebrille når du arbeider med maskinen.



Bruk vernehansker!



Ta ut vekselbatteriet før du arbeider på maskinen



ANTI-vibrasjonssystem



Ikke bruk kraft.



Kun for kapping.



Kun for sliping.



Ikke trykk på spindellåseknappen under start og under drift.



Tilbehør - inngår ikke i leveransen, anbefalt komplettering fra tilbehørsprogrammet.



Reservedel - Ikke inkludert i standardutstyret, tilgjengelig som reservedel.



Elektriske apparater, batterier/oppladbare batterier skal ikke kastes sammen med vanlig husholdningsavfall. Elektriske og elektroniske apparater og oppladbare batterier skal samles separat og leveres til miljøvennlig deponering hos en avfallsbedrift. Informer deg hos myndighetene på stedet eller hos din fagforhandler hvor det finnes recycling bedrifter og oppsamlingssteder.

--- Likestrøm

V Spenning

n Nominelt turtall



Europeisk samsvarsmerke

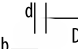
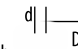




Ukrainsk samsvarsmerke



Euroasiatisk samsvarsmerke



TEKNISKA DATA Batteridrevet vinkelslip	BEWS18-115BL	BEWS18-125BL
Produktionsnummer	4693 80 01 ... 4690 25 01 ... ... 000001-999999	4693 85 01 ... 4690 40 01 ... ... 000001-999999
Batterispänning	18 V	18 V
Märkvarvtal	11000 min <sup>-1</sup>	11000 min <sup>-1</sup>
D= Slipskivor-Ø max. d= ø hål  b= Kapskivstjocklek min. / max.  b= Slipskivstjocklek max.	115 mm 22,2 mm 1/3 mm	125 mm 22,2 mm 1/3 mm
 D= Slipyta ø max.	115 mm	125 mm
 D= Stålbörste ø max.	75 mm	75 mm
Spindelgänga	M 14	M 14
Vikt enligt EPTA 01/2014 (Li-Ion 1,5 Ah...9,0 Ah)	2,4 kg ... 3,1 kg	2,4 kg ... 3,1 kg
Rekommenderad omgivningstemperatur för driften	-18°C ... +50°C	-18°C ... +50°C
Rekommenderade batterier (Akkupacks)	L18...	L18...
Rekommenderade laddare	AL1218... / BL 1218...	AL1218... / BL 1218...
<b>Bullerinformation</b>		
Mätvärdena har tagits fram baserade på EN 60745. A-värdet av maskinens ljudnivå utgör:		
Ljudtrycksnivå (Onoggrannhet K=3dB(A))	83dB(A)	83dB(A)
Ljudeffektsnivå (Onoggrannhet K=3dB(A))	84dB(A)	84dB(A)
<b>Använd hörselskydd!</b>		
<b>Vibrationsinformation</b>		
Totala vibrationsvärden (vektorsumma ur tre riktningar) framtaget enligt EN 60745.		
Ytslipning (Li-Ion 1,5 Ah): Vibrationsemissionsvärde a <sub>h,AG</sub> Onoggrannhet K=	9,4m/s <sup>2</sup> 1,5 m/s <sup>2</sup>	9,4m/s <sup>2</sup> 1,5 m/s <sup>2</sup>
Slipning med slipblad (Li-Ion 1,5 Ah): Vibrationsemissionsvärde a <sub>h,DS</sub> Onoggrannhet K=	5,7m/s <sup>2</sup> 1,5 m/s <sup>2</sup>	5,7m/s <sup>2</sup> 1,5 m/s <sup>2</sup>

Om man använder verktyget för andra ändamål, t ex för kapning eller slipning med stålborste, kan man få andra vibrationsvärden!

### VARNING för vibrationer!

Den i de här anvisningarna angivna vibrationsnivån har uppmätts enligt ett i EN 60745 normerat mätförfarande och kan användas vid jämförelse mellan olika elverktyg. Nivån är även lämplig att använda vid en preliminär bedömning av vibrationsbelastningen. Den angivna vibrationsnivån representerar den huvudsakliga användningen av det aktuella elverktyget. Men om elverktyget ska användas i andra användningsområden, tillsammans med avvikande insatsverktyg eller efter otillräckligt underhåll, kan vibrationsnivån skilja sig. Det kan öka vibrationsbelastningen betydligt under hela arbetstiden. För att få en exaktare bedömning av vibrationsbelastningen ska även den tid beaktas, under vilken elverktyget är avstängt eller är påslaget, utan att det verkligen används. Det kan reducera vibrationsbelastningen betydligt under hela arbetstiden. Lägg som skydd för användaren fast extra säkerhetsåtgärder mot vibrationernas verkan, som till exempel: underhåll av elverktyg och insatsverktyg, varmhållning av händer och organisering av arbetsförlopp.

### VARNING!

**Läs alla säkerhetsanvisningar och andra tillhörande anvisningar.** Fel som uppstår till följd av att anvisningarna nedan inte följts kan orsaka elstöt, brand och/eller allvarliga kroppsskador.  
**Förvara alla varningar och anvisningar för framtida bruk.**





## Enhetsbeskrivning

- |  |                               |
|--|-------------------------------|
| ① Spindellås   | ⑦ Tillbehör                   |
| ② Extra handtag / AVS Extra handtag<br>Isolerad greppyta | ⑧ Fläns                       |
| ③ Handtag Isolerad greppyta                              | ⑨ Flänsmutter / FIXTEC mutter |
| ④ Till-Från-knapp  | ⑩ Batteri                     |
| ⑤ Slipningskydd  | ⑪ Dammskydd                   |
| ⑥ Låsspak till skyddshuv                                 | ⑫ Kapskydd                    |

## ⚠ SÄKERHETSINSTRUKTIONER FÖR VINKELSLIP

**Gemensamma säkerhetsanvisningar för slipning, sandpappersslipning, arbeten med stålborste, polering och kapslipning:**

- Elverktøget kan användas som slip-, slippappersslip-, stålborste- och kapslipmaskin. Beakta alla säkerhetsanvisningar, anvisningar, illustrationer och data som levereras med elverktøget. Om nedanstående anvisningar ignoreras finns risk för att elstöt, brand och/eller allvarliga personskador uppstår.
- Den här maskinen är inte avsedd för polering. Tillämpningar som maskinen inte är avsedd för kan förorsaka faror och personskador.
- Använd inte tillbehör som tillverkaren inte uttryckligen godkännt och rekommenderat för detta elverktøget. Även om tillbehör kan fästas på elverktøget finns det ingen garanti för en säker användning.
- Det tillåtna varvtalet för insatsverktøget måste minst vara så högt som angivet högsta varvtal på elektroverktøget. Tillbehör som roterar snabbare än tillåtet, kan gå sönder och flyga omkring.
- Insatsverktøgets yttre diameter och tjocklek måste motsvara elverktøgets dimensioner. Feldimensionerade insatsverktøg kan inte på betryggande sätt avskämmas och kontrolleras.
- Gången på respektive tillbehör ska stämma överens med gången på slispindeln. Hos tillbehör som flänsas på ska borrhålet för spännstiftet på respektive tillbehör stämma överens med lokaliseringsflänsens diameter. Tillbehör som inte passar på verktøgets montagestift har en excentrisk rörelse, vibrerar mycket kraftigt och kan leda till att man förlorar kontrollen över verktøget.

g) Använd aldrig skadade insatsverktøg. Kontrollera före varje användning insatsverktøgen som t. ex. slipskivor avseende splitterskador och sprickor, sliprondeller avseende sprickor repor eller kraftig nedslitning, stålborstar avseende lösa eller brustna trådar. Om elverktøget eller insatsverktøget skulle falla ned kontrollera om skada uppstått eller montera ett oskadat insatsverktøg. Du och andra personer i närheten ska efter kontroll och montering av insatsverktøg ställa in ertanför insatsverktøgets rotationsradie och sedan låta elverktøget rotera en minut med högsta varvtal. Skadade insatsverktøg går i de flesta fall sönder vid denna provkörning.

h) Använd personlig skyddsutrustning. Använd alltefter avsett arbete ansiktsskärm, ögonskydd eller skyddsglasögon. Om så behövs, använd dammfiltermask, hörselskydd, skyddshandskar eller skyddsförkläde som skyddar mot små utslungade slip- och materialpartiklar. Ögonen ska skyddas mot utslungade främmande partiklar som kan uppstå under arbetet. Damm- och andningskydd måste kunna filtrera bort det damm som eventuellt uppstår under arbetet. Risk finns för hörselskada under en längre tids kraftigt buller.

i) Se till att obehöriga personer hålls på betryggande avstånd från arbetsområdet. Alla som rör sig inom arbetsområdet måste använda personlig skyddsutrustning. Brottsstycken från arbetsstycket eller insatsverktøgen kan slungas ut och orsaka personskada även utanför arbetsområdet.

j) Håll fast apparaten med hjälp av de isolerade greppytorna när du utför arbeten där arbetsverktøget skulle kunna träffa på dolda elledningar. Om man kommer i kontakt med en spänningsförande ledning, så kan även de delar på verktøget som är av metall bli spänningsförande och leda till att man får en elektrisk stöt.

k) Lägg aldrig ifrån dig elverktøget förrän insatsverktøget är helt stillastående. Det roterande insatsverktøget kan komma i beröring med underlaget varvid risk finns för att du förlorar kontrollen över verktøget.

l) Elverktøget får inte rotera när det bärs. Kläder kan vid tillfällig kontakt med det roterande insatsverktøget dras in varvid insatsverktøget dras mot din kropp.

m) Rengör regelbundet elverktøgets ventilationsöppningar. Motorfläkten drar in damm i huset och en kraftig anhopning av metalldamm kan orsaka farliga elströmmar.

n) Använd inte elverktøget i närheten av brännbara material. Risk finns för att gnistor antänder materialet.

o) Använd inte insatsverktøg som kräver flytande kylmedel. Vatten eller andra kylvätskor kan medföra elstöt.

## Varning för bakslag

Ett bakslag är en plötslig reaktion hos insatsverktøget när t. ex. slipskivan, sliprondellen, stålborsten hakar upp sig eller blockerar. Detta leder till abrupt uppbromsning av det roterande insatsverktøget. Härvid accelererar ett okontrollerat elverktøg mot insatsverktøgets rotationsriktning vid inklämningsstället.

Om t. ex. en slipskiva hakar upp sig eller blockerar i arbetsstycket kan slipskivans kant i arbetsstycket klämmas fast varvid slipskivan bryts sönder eller orsakar bakslag. Slipskivan rör sig nu mot eller bort från användaren beroende på skivans rotationsriktning vid inklämningsstället. Härvid kan slivskivor även brista.

Bakslag uppstår till följd av missbruk eller felaktig hantering av elverktøget. Detta kan undvikas genom skyddsåtgärder som beskrivs nedan.

a) Håll stadigt i elverktøget samt kroppen och armarna i ett läge som är lämpligt för att motstå bakslagskrafter. Använd alltid stödhandtaget för bästa möjliga kontroll av



**bakslagskrafter och reaktionsmoment vid start.** Användaren kan genom lämpliga försiktighetsåtgärder bättre behärska bakslags- och reaktionskrafterna.

**b) Håll alltid handen på betryggande avstånd från det roterande insatsverkytet.** Insatsverkytet kan vid ett bakslag gå mot din hand.

**c) Undvik att hålla kroppen inom det område elverkytet vid ett bakslag rör sig.** Bakslaget kommer att driva elverkytet i motsatt riktning till slipskivans rörelse vid inklämningsstället.

**d) Var särskilt försiktig vid bearbetning av hörn, skarpa kanter osv. Håll emot så att insatsverkytet inte studsar ut från arbetsstycket eller kommer i kläm.** På hörn, skarpa kanter eller vid studsning tenderar det roterande insatsverkytet att komma i kläm. Detta kan leda till att kontrollen förloras eller att bakslag uppstår.

**e) Använd inte kedje- eller tandat sågblad.** Sådana insatsverkytyg orsakar ofta bakslag eller gör att du förlorar kontrollen över elverkytet.

### Speciella varningar för slipning och kapslipning

**a) Använd endast slipkroppar som godkänts för aktuell elverkytyg och de sprängskydd som är avsedda för dessa slipkroppar.** Slipkroppar som inte är avsedda för aktuellt tryckluftverkytyg kan inte på betryggande sätt skyddas och är därför farliga.

**b) Vinkelböjda slipkivor ska monteras så, att deras slipyta inte står ut över skyddskåpens kant.** En felaktigt monterad slipkiva som står ut över skyddskåpens kant kan inte skämmas av på tillfredsställande sätt.

**c) Använd alltid det sprängskydd som är avsett för aktuell slipkropp. Sprängskyddet måste monteras ordentligt på tryckluftverkytyget och vara infäst så att högsta möjliga säkerhet uppnås, dvs den del av slipkroppen som är vänd mot användaren måste vara skyddad.** Sprängskyddet ska skydda användaren mot brottstycken från eller tillfällig kontakt med slipkroppen.

**d) Slipkroppar får användas endast för rekommenderade arbeten. T. ex.: Slipa aldrig med kapskivans sidoyta.** Kapskivor är avsedda för materialavverkning med skivans kant. Om tryck från sidan utövas mot slipkroppen kan den spricka.

**e) För vald slipkiva ska alltid oskadade spännflansar i korrekt storlek och form användas.** Lämpliga flansar stöder slipkivans och reducerar sålunda risken för slipkivbrott. Flansar för kapskivor och andra slipkivor kan ha olika utseende och form.

**f) Använd inte nedslitna slipkivor från större elverkytyg.** Slipkivor för större elverkytyg är inte konstruerade för de mindre elverkytygens högre varvtal och kan därför spricka.

### Andra speciella säkerhetsanvisningar för kapslipning

**a) Se till att kapskivan inte kommer i kläm och att den inte utsätts för högt mottryck. Försök inte skära för djupt.** Om kapskivan överbelastas ökar dess påfrestning och risk finns för att den snedvrids eller blockerar som sedan kan resultera i bakslag eller slipkroppsbrott.

**b) Undvik området framför och bakom den roterande kapskivan.** Om du för kapskivan i arbetsstycket bort från kroppen kan i händelse av ett bakslag elverkytet med roterande skiva slungas mot din kropp.

**c) Om kapskivan kommer i kläm eller arbetet avbryts, koppla från elverkytyget och håll det lugnt tills skivan stannat fullständigt. Försök aldrig dra ut en roterande kapskiva ur skärspåret då detta kan leda till bakslag.** Lokalisera och åtgärda orsaken för inklämning.

**d) Koppla inte åter på elverkytyget om det sitter i arbetsstycket. Låt kapskivan uppnå fullt varvtal innan den försiktigt förs in i skärspåret för fortsatt kapning.** I annat fall kan skivan haka upp sig, hoppa ur arbetsstycket eller orsaka bakslag.

**e) För att reducera risken för ett bakslag till följd av inklämd kapskiva ska skivor och andra stora arbetsstycken stödas.** Stora arbetsstycken kan böjas ut till följd av hög egenvikt. Arbetsstycket måste därför stödas på båda sidorna både i närheten av skärspåret och vid kanten.

**f) Var alltid extra försiktig om du „skär ut“ något i en vägg eller på andra ställen som du inte direkt kan se.** Där risk finns att kapskivan kommer i kontakt med gas- eller vattenledningar, elledningar eller andra föremål som kan orsaka bakslag.

### Speciella säkerhetsanvisningar för sandpappersslipning:

**a) Använd inte för stora slippapper, se tillverkarens uppgifter om slippapperets storlek.** Slippapper som står ut över sliprondellen kan leda till personskada, blockera, rivas sönder eller också saka bakslag.

### Speciella säkerhetsanvisningar för arbeten med trädborstar:

**a) Observera att en metallborste förlorar små metallbitar även vid normal användning. Överbelasta aldrig en metallborste genom att trycka den för kraftigt mot materialet som ska bearbetas.** Små metallbitar som går av kan lätt tränga genom tunna kläder och/eller huden.

**b) När sprängskydd används bör man se till att sprängskyddet och trädborsten inte berör varandra.** Tallriks- och koppborstarnas diameter kan till följd av anliggningstryck och centrifugalkrafter öka.

### Övriga säkerhets- och användningsinstruktioner

Kontrollera alltid att spindellåsknappen är helt frigjord innan du slår på verkytet! När du har använt spindellåset för att dra åt/lossa slipskivan, är det möjligt att knappen fastnar i låst läge. Samtidigt som det kan få verkytyget eller batteriskyddet att arbeta och ta bort strömmen till verkytyget. Stäng av strömbrytaren, ta ut batteriet och skaka sedan skivan försiktigt fram och tillbaka för att frigöra spindellåsknappen.

Observera: Om batteriskyddet också har aktiverats, tar du helt enkelt ut batteripaketet ur verkytyget och sätter tillbaka det igen, för att på så sätt återställa skyddet.

Vid slipning av metall uppstår gnistor. Se till att personer inte skadas. Pga brandrisken får inga brännbara material finnas i närheten (inom gnistområdet). Använd inte dammsgivning!

Förhindra att du kommer i kontakt med gnistor och slipdamm.

Lakttag största försiktighet när maskinen är igång.

Avlägsna aldrig spån eller flisor när maskinen är igång.

Frånkoppla maskinen omedelbart om kraftiga vibrationer uppstår eller andra felk funktioner registreras. Kontrollera maskinen för lokalisering av orsak.

Vid extrema användningsvillkor (till exempel vid planslipning av metaller med stödtallrik och slipkivor av vulkanfiber) kan det bildas mycket smuts på insidan av vinkelslipmaskinen.

OBS! Undvik att metalldelar hamnar i luftsplitsarna - risk för kortslutning!

WARNING! För att undvika den fara för brand, personskador eller produktskador som orsakas av en kortslutning, doppa inte ner verkytyget, utbytesbatteriet eller laddaren i vätskor och se till att ingen vätska kan tränga in i apparaterna eller batterierna. Korroderande eller ledande vätskor, som saltvatten, vissa kemikalier,



Sve

blekningsmedel eller produkter som innehåller blekmedel, kan orsaka en kortslutning.

Batterier lagras torr och skyddas för fukt.

System GBS batterier laddas endast i System GBS laddare. Ladda inte batterier från andra system.

### KVARSTÅENDE RISKER

Även om vinkelslipen används enligt föreskrift, är det omöjligt att helt eliminera vissa kvarvarande riskfaktorer. Nedanstående risker kan uppstå, och operatören bör ägna särskild uppmärksamhet åt att undvika följande:

#### **Personskador som orsakas av ivägslungade partiklar.**

Metall eller slippartiklar kan komma in i ögonen och orsaka allvarliga permanenta skador.

Ha alltid på dig skyddsglasögon som är godkända för sliparbeten när du använder produkten.

#### **Personskador som orsakas av vibrationer.**

Begränsa exponeringen. Se VARNING för vibrationer!

#### **Personskador som orsakas av damm.**

Använd en lämplig dammskyddsmask med filter som lämpar sig för att skydda mot partiklar från det material som bearbetas och slippartiklar från slipskivan.

Undvik att äta, dricka eller röka inom arbetsområdet. Se till att det finns lämplig ventilation.

#### **Personskador vid kontakt med slipskivan.**

Skivan och arbetsstycket blir heta under användningen. Använd handskar när du byter skivor eller vidrör arbetsstycket. Håll alltid händerna borta från slipområdet.

Spänn i möjligaste mån alltid fast arbetsstycket.

#### **Personskador som orsakas av buller.**

Långvarig exponering för buller ökar risken för hörselskador, och effekten är kumulativ. När du använder motordrivna verktyg under en längre tid, ska du använda hörselskydd.

Personskador kan orsakas eller förvärras av långvarig användning av ett verktyg. Se till att du tar regelbundna pauser om du använder ett verktyg under längre perioder.

### ANVÄND MASKINEN ENLIGT ANVISNINGARNA

Vinkelslipen är avsedd för slipning och kapning av metall, sten, betong och keramiska material samt för sandpappersslipning och stålborstning.

Använd skyddslocket för kapning ur tillbehörsprogrammet.

Följ vidtveksamma fall anvisningarna från tillverkaren av tillbehöret.

Detta elverktyg ska endast användas för torr bearbetning.

Endast lämpliga slip- eller kapskivor och tillhörande skyddsanordningar (slipskydd eller kapskydd) enligt beskrivningen i avsnittet för produktspecifikation i den här bruksanvisningen får monteras på den här vinkelslipen. Vinkelslipen är konstruerad för handhållen användning. Den får inte monteras på någon fastspänningsanordning eller arbetsbänk.

Använd inte produkten på något annat sätt än vad som anges om avsedd användning.

### ARBETSANVISNINGAR

För verktyg avsedda att föras med skivor med gängat hål, bör man kontrollera att skivans gängning är tillräckligt lång att hantera spindelns

Använd och förvara alltid kap- och slipskivorna enligt tillverkarens anvisningar.

Använd alltid skyddskåpa vid slipning och kapning.

Vinkelböjda slipskivor ska monteras så, att deras slipyta inte står ut över skyddskåpans kant.

Fläsmuttern skall vara åtdragen innan start av maskinen.

Använd alltid stödhandtag.

Spänn fast arbetsstycket om det inte ligger stadigt till följd av egen vikt. För aldrig arbetsstycket för hand mot slipskivan.

### BATTERIER

En temperatur över 50°C reducerar batteriets effekt. Undvik längre uppvärmning tex i solen eller nära ett element.

Se till att anslutningskontaktarna i laddaren och på batteriet är rena.

För att batterierna ska få lång livslängd ska de laddas fulla efter användning. Batteri som ej använts på länge måste laddas före nytt bruk.

För att få en så lång livslängs som möjligt bör laddningsbara batterier avlägsnas från laddaren när de är laddade.

Om laddningsbara batterier lagras längre än 30 dagar, Lagra batteriet torr och vid ca 27°C., Lagra batteriet vid ca 30%-50% av laddningskapaciteten., Ladda batterierna på nytt var 6:e månad.

Kasta inte förbrukade batterier. Lämna dem till AEG Tools för återvinning.

Förvara ej batteriet ihop med metallföremål, kortslutning kan uppstå.

### BATTERI-ÖVERBELASTNINGSSKYDD

Vid överbelastning av batteriet genom mycket hög strömförbrukning, t.ex. Vid extremt höga vridmoment, om insatsverktyget kläms fast, ett plötsligt stopp eller vid kortslutning, stoppas elverket i 2 sekunder och stängs sedan automatiskt av. För återställning ska du ta ut batteripaketet ur verktyget och sätta tillbaka det igen.

Vid en extrem belastning blir det laddningsbara batteriet för varmt. I detta fall blinkar alla lampor på laddningsindikeringen så länge tills batteriet har svalnat. När laddningsindikeringen har slocknat kan du fortsätta med arbetet. Sätt då batteriet i laddaren för att ladda upp och aktivera det igen.

### TRANSPORTERA LITIJUMJON-BATTERIER

För litiumjon-batterier gäller de lagliga föreskrifterna för transport av farligt gods på väg.

Därför får dessa batterier endast transporteras enligt gällande lokala, nationella och internationella föreskrifter och bestämmelser.

Konsumenter får transportera dessa batterier på allmän väg utan att behöva beakta särskilda föreskrifter.

För kommersiell transport av litiumjon-batterier genom en speditiönsfirma gäller emellertid bestämmelserna för transport av farligt gods på väg. Endast personal som känner till alla tillämpliga föreskrifter och bestämmelser får förbereda och genomföra transporten. Hela processen ska följas upp på fackmässigt sätt.

Följande ska beaktas i samband med transporten av batterier:

Säkerställ att alla kontakter är skyddade och isolerade för att undvika kortslutning. Se till att batteripacken inte kan glida fram och tillbaka i förpackningen. Transportera aldrig batterier som läcker, har runnit ut eller är skadade. För mer information vänligen kontakta din speditiönsfirma.



Sve

## ÅTERSTARTSSKYDD

Nollspänningsbrytaren förhindrar verktygets omstart efter ett elavbrott (batteribyte).

Stäng av maskinen och starta sedan om den för att återuppta arbetet.

## MJUKSTART

Mjukstart för säker hantering, inget ryck vid uppstart av maskinen.

## SKÖTSEL

Drag ur batteripaket innan arbete utföres på maskinen.

Se till att motorhöljets luftslitsar är rena.

Använd endast AEG tillbehör och reservdelar. Reservdelar vars utbyte ej beskrivs byts bäst av AEG auktoriserad serviceverkstad (se broschyr Garanti/Kundtjänstadresser).

Vid behov av sprängskiss, kan en sådan, genom att uppge maskinens art. nr. (som finns på typskylten) erhållas från: Techtronic Industries GmbH, Max-Eyth-Straße 10, 71364 Winnenden, Germany.

## CE-FÖRSÄKRAN

Vi tar på vårt ansvar att produkten som har beskrivits under Tekniska data uppfyller alla relevanta villkor i direktiven 2011/65/EU (RoHS) 2006/42/EG 2014/30/EU samt att följande harmoniserade standarder har använts. EN 60745-1:2009 + A11:2010 EN 60745-2-3:2011 + A2:2013 + A11:2014 + A12:2014 + A13:2015 EN 55014-1:2017 EN 55014-2:2015 EN 50581:2012



Winnenden, 2018-08-16

Alexander Krug / Managing Director  
Befullmäktigad att sammanställa teknisk dokumentation.

Techtronic Industries GmbH  
Max-Eyth-Straße 10, 71364 Winnenden, Germany

## SYMBOLER



OBSERVERA! VARNING! FARA!



Läs instruktionen noga innan du startar maskinen.



Använd alltid skyddsglasögon.



Bär skyddshandskar!



Drag ur batteripaket innan arbete utföres på maskinen.



ANTI-vibrationssystem



Använd ingen kraft.



Endast för kapning.



Endast för slipning.



Tryck inte på spindellåsknappen under start och körning.



Tillbehör - Ingår ej i leveransomfånget, erhålles som tillbehör.



Reservdel - ingår inte i standardutrustningen, tillgänglig som reservdel.



Elektriska maskiner, batterier/upppladdningsbara batterier och får inte slängas tillsammans med de vanliga hushållssoporna. Elektriska maskiner och upppladdningsbara batterier ska samlas separat och lämnas till en avfallsstation för miljövänlig avfallshantering. Kontakta den lokala myndigheten respektive kommunen eller fråga återförsäljare var det finns speciella avfallsstationer för elskrot.



Likström



Spänning



Märkvarvtal



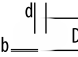
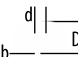
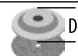

Europeiskt konformitetsmärke



Ukrainskt konformitetsmärke



Euroasiatiskt konformitetsmärke

TEKNISET ARVOT Akkukulmahiomakone	BEWS18-115BL	BEWS18-125BL
Tuotantonumero	4693 80 01 ... 4690 25 01 ... ... 000001-999999	4693 85 01 ... 4690 40 01 ... ... 000001-999999
Jännite vaihtoakku	18 V	18 V
Nimellinen kierros-luku	11000 min <sup>-1</sup>	11000 min <sup>-1</sup>
D= Hiomalaikan Ø maks. d= porausreikä-ø	115 mm 22,2 mm	125 mm 22,2 mm
 b= Katkaisulaikan paksuus min. / maks.	1/3 mm	1/3 mm
 b= Hiomalaikan paksuus maks.	6 mm	6 mm
 D= Hiomapinnan ø maks.	115 mm	125 mm
 D= Kuppiharjan ø maks.	75 mm	75 mm
Karan kierre	M 14	M 14
Paino EPTA-meneteltyyn 01/2014 mukaan (Li-lon 1,5 Ah...9,0 Ah)	2,4 kg ... 3,1 kg	2,4 kg ... 3,1 kg
Suosittelun ympäristön lämpötila käytön aikana	-18°C ... +50°C	-18°C ... +50°C
Suosittelut akkusarjat	L18...	L18...
Suosittelut latauslaitteet	AL1218... / BL 1218...	AL1218... / BL 1218...
<b>Melunpäästötiedot</b>		
Mitta-arvot määritetty EN 60745 mukaan. Koneen tyyppilinen A-luokitettu melutaso:		
Melutaso (Epävarmuus K=3dB(A))	83dB(A)	83dB(A)
Äänenvoimakkuus (Epävarmuus K=3dB(A))	84dB(A)	84dB(A)
<b>Käytä kuulosuojaimia!</b>		
<b>Tärinätiedot</b>		
Värähtelyn yhteisarvot (kolmen suunnan vektorisummitattuna EN 60745 mukaan.)		
Pintahionta (Li-lon 1,5 Ah): Värähtelyemissioarvo a <sub>h,AG</sub>	9,4m/s <sup>2</sup>	9,4m/s <sup>2</sup>
Epävarmuus K=	1,5 m/s <sup>2</sup>	1,5 m/s <sup>2</sup>
Hionta hiomapaperilla (Li-lon 1,5 Ah): Värähtelyemissioarvo a <sub>h,DS</sub>	5,7m/s <sup>2</sup>	5,7m/s <sup>2</sup>
Epävarmuus K=	1,5 m/s <sup>2</sup>	1,5 m/s <sup>2</sup>

Muilla käyttövoilla, esim. katkaisussa tai teräslankaharjalla hiottaessa, saattaa esiintyä muunlaisia värähtäviä!

### VAROITUS! Tärinää!

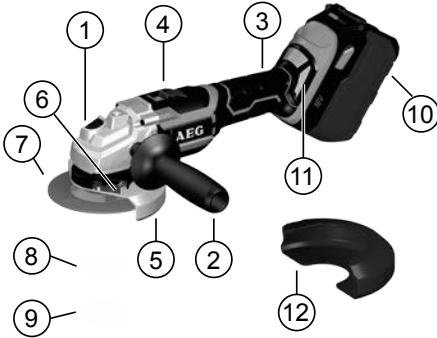
Näissä ohjeissa mainittu värähtelytaso on mitattu EN 60745 -standardin mukaisella mittausmenetelmällä ja sitä voidaan käyttää sähkötyökalujen vertaamiseen. Sitä voidaan käyttää myös värähtelyrasituksen väliaikaiseen arviointiin. Mainittu värähtelytaso edustaa sähkötyökalun pääasiallista käyttöä. Jos sähkötyökalua kuitenkin käytetään muihin tehtäviin, poikkeavien työkaluun tai riittämättömästi huoltaen, värähtelytaso voi olla erilainen. Se voi korottaa värähtelyrasitusta koko työajan osalta. Tarkan värähtelyrasituksen toteamiseen tulee ottaa huomioon aika, jona laite on kytketty pois tai on kylläkin päällä, mutta ei käytössä. Se voi pienentää värähtelyrasitusta koko työajan osalta. Määrittele lisäturvatoimenpiteitä käyttäjän suojaamiseksi värinöiden vaikutukselta, kuten esimerkiksi: sähkötyökalujen ja käyttötyökalujen huolto, käsien lämpimän pitäminen, työvälineiden organisaatio.

### VAROITUS!

**Lue kaikki, myös annetut turvallisuusmääräykset ja käyttöohjeet.** Turvallisuusohjeiden noudattamisen laiminlyönti saattaa johtaa sähköiskuun, tulipaloon ja/tai vakavaan loukkaantumiseen.

**Säilytä kaikki turvallisuus- ja muut ohjeet tulevaisuutta varten.**





#### Laitteen kuvaus

- |  |                                     |
|--|-------------------------------------|
| ① Karan rajoitin                                       | ⑦ Lisälaitte                        |
| ② Tukikahva / AVS Tukikahva<br>Eristetty tarttumapinta | ⑧ Laippa                            |
| ③ Käsikahva Eristetty<br>tarttumapinta                 | ⑨ Laippamutteri /<br>FIXTEC-mutteri |
| ④ Virtakytkin  | ⑩ Akku                              |
| ⑤ Hiontasuojus   | ⑪ Pölysuoja                         |
| ⑥ Suojuksen lukkoviipu                                 | ⑫ Leikkaussuojus                    |



#### **▲ KULMAHIOMAKONEEN TURVALLISUUSMÄÄRÄYKSET**

**Yhteiset turvallisuusohjeet hiomista, hiekkapaperihiomista, työkentelyä teräsharjan kanssa, kiillotusta ja katkaisuhiomata varten:**

- a) Tätä sähkötyökälua tulee käyttää hiomakoneena, hiekkapaperihiomakoneena, teräsharja- ja katkaisuhiomakoneena. Ota huomioon kaikki varoohjeet, ohjeet, piirustukset ja tiedot, joita saat sähkötyökälun kanssa. Ellet noudata seuraavia ohjeita, saattaa se johtaa sähköiskuun, tulipaloon ja/tai vaikeisiin loukkautumisiin.**
- b) Tämä sähkötyökälua ei sovellu kiillottamiseen.** Sellainen käyttö, jota varten sähkötyökälua ei ole tehty, saattaa aiheuttaa vaaratilanteita ja vammoja.
- c) Älä käytä mitään lisälaitteita, joita ei valmistaja ole tarkoitannut tai suositellut nimenomaan tälle sähkötyökälulle.** Vain se, että pystyt kiinnittämään laitetta sähkötyökälusi ei takaa sen turvallista käyttöä.
- d) Sähkötyökälun sallitun kierrosluvun täytyy olla vähintään yhtä korkea kuin sähkötyökälulla ilmoitettu korkein kierrosluvu.** Sallittua nopeammin pyörivät lisävarusteet voivat rikkoutua ja lentää ympäriinsä.
- e) Vaihdytyökälun ulkohalkaisijan ja paksuuden tulee vastata sähkötyökälun mittatietoja.** Väärin mitoitettuja vaihdytyökälua ei voida suojata tai hallita riittävästi.
- f) Lisävarusteiden kierteiden täytyy sopia hiomakaran kierteisiin.** Jos varusteet liitetään laipan avulla, niin varusteen kiinnitystuurnan porareian läpimitan tulee olla sama kuin kiinnityslaipan läpimita. Jos varusteet eivät sovi laitteen asennustuurnaun, niin ne pyörivät epäkeskisesti, tärisyvät liian voimakkaasti ja saattavat aiheuttaa laitteen hallinnan menettämisen.

**g) Älä käytä vaurioituneita vaihdytyökälua.** Tarkista ennen jokaista käyttöä, ettei vaihdytyökälussa, kuten hiomalajoissa ole pirstoutumia tai halkemia, hiomalautasessa halkeamia tai voimakasta kulumista, teräsharjassa irtonaisia tai katkenneita lankoja. Jos sähkötyökälua tai vaihdytyökälua putoaa, tulee tarkistaa, että se on kunnossa tai sitten käyttää ehjää vaihdytyökälua. Kun olet tarkistanut ja asentanut vaihdytyökälun, pidä itsesi ja lähistöllä olevat henkilöt loitotta pyörivän vaihdytyökälun tasosta ja anna sähkötyökälun käydä minuutti täydellä kierrosluvulla. Vaurioituneet vaihdytyökälut menevät yleensä rikki tässä ajassa.

**h) Käytä henkilökohtaisia suojavarusteita.** Käytä käytöstä riippuen kokosvonaamiota, silmäsuojusta tai suojalaseja. Jos mahdollista, käytä polynaamaria, kuulonsuojainta, suojäkäsineitä tai erikoissuojavaatetta, joka suojaa sinut pieniltä hioma- ja materiaalihiukkasilta. Silmät tulee suojata lenteleviltä vierailta esineiltä, jotka saattavat syntyä erilaisessa käytössä. Pöly- tai hionnissa suojavarusteiden täytyy suodattaa pois työstössä syntyvä pöly. Jos olet pitkään alltiina voimakkaalle melulle, saattaa se vaikuttaa heikentävästi kuuloon.

**i) Varmista, että muut henkilöt pysyvät turvallisella etäisyydellä työalueeltasi.** Jokaisella, joka tulee työalueelle, tulee olla henkilökohtaiset suojavarusteet. Työkappaleen tai murtuneen vaihdytyökälun osia saattavat sinkoutua kauemmas ja vahingoittaa ihmisiä myös varsinaisen työalueen ulkopuolella.

**j) Pitele laitetta vain eristetyistä tarttumapinnoista, kun suoritat sellaisia töitä, joissa leikkaustyökälua saattaa osua piilossa oleviin sähköjohtoihin.** Leikkaustyökälun yhteys jännitteelliseen johtoon saattaa tehdä laitteen metalliset osat jännitteellisiksi ja aiheuttaa sähköiskun.

**k) Älä koskaan laske sähkötyökälua pois, ennen kuin käyttötyökälua on pysähtynyt täydellisesti.** Pyörivä vaihdytyökälua saattaa koskettaa lepompintaa ja voit menettää sähkötyökälusi hallinnan.

**l) Älä koskaan pidä sähkötyökälua käynnissä sitä kantaesasi.** Vaatteesi voi hetkellisen kosketuksen seurauksena tarttua kiinni pyörivään vaihdytyökäluuun, joka saattaa porautua kehoosi.

**m) Puhdista sähkötyökälusi tuuletusaukot säännöllisesti.** Moottorin tuuletin imee pölyä työkalun kuloon, ja voimakas metallipölyn kasautuma voi synnyttää sähköisiä vaaratilanteita.

**n) Älä käytä sähkötyökälua palavien aineiden lähellä.** Kipinät voivat sytyttää näitä aineita.

**o) Älä käytä vaihdytyökälua, jotka tarvitsevat nestemäistä jäähdytysainetta.** Veden tai muiden nestemäisten jäähdytysainneiden käyttö saattaa johtaa sähköiskuun.

#### **Takaisku ja vastaavat varo-ohjeet**

Takaisku on äkillinen reaktio, joka syntyy pyörivän vaihdytyökälun, kuten hiomalaikan, hiomalautasen tai teräsharjan tarttuessa kiinni tai jäädessä puristukseen. Tarttuminen tai puristukseen joutuminen johtaa pyörivän vaihdytyökälun äkilliseen pysähtymiseen. Tällöin hallitsematon sähkötyökälua sinkoutuu tarttumakohdasta vaihdytyökälun kiertosuunnasta vastakkaiseen suuntaan.

Jos esim. hiomalaikka tarttuu tai joutuu puristukseen työkaluleeseen, saattaa hiomalaikan reuna, joka on uponnut työkaluleeseen, juuttua kiinni aiheuttaen hiomalaikan ponnahduksen ulos työkaluleesta tai aiheuttaa takaiskun. Hiomalaikka liikkuu silloin käyttävää henkilöä vasten tai pois päin hänestä, riippuen laikan kiertosuunnasta tarttumakohdassa. Tällöin hiomalaikka voi myös murtua.

Takaisku johtuu sähkötyökälun vääriinkäytöstä tai käytöstä vääriin tarkoitukseen. Se voidaan estää sopivin varotoimin, joita selostetaan seuraavassa.

a) **Pitele sähkötyökälyä tukevasti ja saata kehosi ja käsivartesi asentoon, jossa pystyt vastaamaan takaiskuvoimiin.** Käytä aina lisäkävää, jos sinulla on sellainen, jotta pystyisit parhaalla mahdollisella tavalla hallitsemaan takaiskuvuomia tai vastamomentteja työkalun ryntökäynnissä. Käyttävä henkilö pystyy hallitsemaan takaiskuja ja vastamomentti voimat noudattamalla sopivia suojatoimenpiteitä.

b) **Älä koskaan tuo kättäsi lähelle pyörivää vaihtotyökälyä.** Vaihtotyökäly saattaa takaiskun sattuessa liikkua kätesi yli.

c) **Vältä pitämästä kehoasi alueella, johon sähkötyökäly liikkuu takaiskun sattuessa.** Takaisku pakottaa sähkötyökälyä vastakkaiseen suuntaan hiomalaikan liikkeeseen nähden tarttumiskohdassa.

d) **Työkentele erityisen varovasti kulmien, terävien reunojen jne. alueella, estä vaihtotyökäly ponnahtamasta takaisin työkappaleesta ja juuttumasta kiinni.** Pyörivällä vaihtotyökälyllä on taipumus juuttua kiinni kulmissa, terävissä reunoissa tai saadessaan kimmokkeen. Tämä johtaa hallinnan pettämiseen tai takaiskuun.

e) **Älä käytä ketjusahan tai hammastettua sahan terää.** Sellaiset käyttotyökälyt aiheuttavat usein takaiskun tai sähkötyökälyllä hallinnan menettämisen.

### Erityiset varoohjeet hiontaan ja katkaisuhiontaan

a) **Käytä yksinomaan sähkötyökälyllä sallittuja hiomatyökälyjä ja näitä hiomatyökälyjä varten tarkoitettuja suojuksia.** Hiomatyökälyjä, jotka eivät ole tarkoitettuja sähkötyökälyllä käytettäväksi ei voida suojata riittävästi ja ne ovat vaarallisia.

b) **Taivutetut hiomalaikat täytyy asentaa niin, ettei niiden hiomapinta ulotu suojakuvun reunatason ulkopuolelle.** Virheellisesti asennettua hiomalaikkaa, joka ulottuu suojakuvun reunatason ulkopuolelle, ei voida suojata riittävästi hyvin.

c) **Käytä aina suojusta, joka on tarkoitettu käytettävälle hiomatyökälylle.** Suojuksen täytyy olla tukevasti kiinni sähkötyökälyssä ja niin asennettu, että suurin mahdollinen turvallisuus saavutetaan. Hiomatyökälyllä tulee siis olla mahdollisimman vähän avoin käyttäjä kohti. Suojuksen tulee suojata käyttävää henkilöä murtokappaleilta ja tahattomalta hiomatyökälyllä koskettamiselta.

d) **Hiomatyökälyä saa käyttää ainoastaan siihen käyttöön mihin niitä suositellaan.** Esim.: Älä koskaan hio hiomalaikan sivupintaa käyttäen. Hiomalaikat on tarkoitettu hiontaan laikan ulkokehällä. Sivuttain kohdistuva voima saattaa murtaa hiomalaikan.

e) **Käytä aina virheetöntä, oikean kokoista ja muotoista kiinnityslaippaa valitsemallesi hiomalaikalle.** Sopivat laipat tukevat hiomalaikkaa ja vähentävät näin hiomalaikan murtumisriskiä. Katkaisulaikkojen laipat saattavat poiketa muitten hiomalaikkojen laipoista.

f) **Älä käytä isompiin sähkötyökälyihin kuuluneita kulu-neita hiomalaikkoja.** Suurempien sähkötyökälyjen hiomalaikat eivät sovellu pienempien sähkötyökälyjen suuremmille kierros-luville, ja ne voivat murtua.

### Muita katkaisuhiontaan liittyviä erityisvaro-ohjeita

a) **Vältä katkaisulaikan juuttumista kiinni ja liian suurta syöttöpainetta.** Älä tee liian syviä leikkauksia. Katkaisulaikan ylikuumitus kasvattaa sen rasitusta ja sen alttiutta kallistua tai juuttua kiinni ja siten takaiskun ja laikan murtumisen mahdollisuutta.

b) **Vältä aluetta pyörivän katkaisulaikan edessä ja takana.** Jos katkaisulaikka liikkuu työkappaleessa sinusta pois päin, saattaa

sähkötyökäly takaiskun sattuessa singota suoraan sinua kohti pyörivällä laikalla.

c) **Jos katkaisulaikka joutuu puristukseen tai keskeytettyä työtä, tulee sinun pysäyttää sähkötyökäly ja pitää se rauhallisesti paikoillaan, kunnes laikka on pysähtynyt.** Älä koskaan koeta poistaa vielä pyörivää katkaisulaikkaa leikkauksesta, se saattaa aiheuttaa takaiskun. Määrittele ja poista puristukseen joutumisen syy.

d) **Älä käynnistä sähkötyökälyä uudelleen, jos laikka on kiinni työkappaleessa.** Anna katkaisulaikan ensin saavuttaa täysi kierros lukunsa, ennen kuin varovasta jatkat leikkausta. Muussa tapauksessa saattaa laikka tarttua kiinni, ponnahtaa ulos työkappaleesta tai aiheuttaa takaiskun.

e) **Tue litteät tai isot työkappaleet, katkaisulaikan puristuksen aiheuttaman takaiskuvuon minimoimiseksi.** Suuret työkappaleet voivat taipua oman painonsa takia. Työkappaleita tulee tukea molemmilta puolilta, sekä katkaisuleikkauksen vierestä, että reunoista.

f) **Ole erityisen varovainen tehdessäsi „taskuleikkauksia“ pystyssä oleviin seinisiin tai muihin alueisiin, joita et voi nähdä.** Uppoava katkaisulaikka saattaa aiheuttaa takaiskun osuessaan kaasutai vesiputkiin, sähköjohtoihin tai muihin kohteisiin.

### Erityiset varoohjeet hiikkapaperihiontaan:

a) **Älä käytä ylisuuria hiomapyöröjä, vaan noudata valmistajan ohjeita hiomapyöröjen koosta.** Hiomapyöröt jotka ulottuvat hiomalautasen ulkopuolelle, saattavat aiheuttaa loukkaantumista tai johtaa kiinnijuuuttumiseen, hiomapyörön repeytymiseen tai takaiskuun.

### Erityiset varo-ohjeet työskentelyyn teräsharjan kanssa:

a) **Muista, että teräsharjasta irtoilevan langanpätkiä myös tavallisen käytön aikana.** Älä yllärisita teräslankoja liian voimakkaalla puristuksella. Poissinkoilevat langanpalat voivat tunkeutua hyvin helposti ohuiden vaatteiden ja/tai ihon läpi.

b) **Jos suojusta suositellaan, tulee sinun varmistaa, ettei suojus ja teräsharja voi koskettaa toisiaan.** Lautas- ja kuppiharjojen halkaisijat voivat laajeta puristus paineen ja keskipakovoiman johdosta.

### Täydentäviä turvallisuusmääräyksiä ja työskentelyohjeita

Tarkasta aina, että karan rajoitinnappi on täysin vapautettu ennen työkalun käynnistämistä! On mahdollista, että karan rajoitinnappi jumittuu lukitusasentoon, kun karan rajoittimella on kiristetty/löy-sytetty hiontalaikkaa. Tämä voi aiheuttaa työkalun tai akkusuojan aktivoitumisen ja johtaa työkalun virran katkaisuun. Käännä katkaisin pois päältä-asentoon, poista akku ja keiuneta laikka varovasti edestakaisin karan rajoitinnappin vapauttamiseksi. Huomaa: Mikäli akkusuoja on myös aktivoitunut poista akkusyksikkö työkalusta ja vaihda se, nollaten näin suojauksen.

Metallien hionnassa syntyy kipinointia. Tarkista, ettei kenellekään aiheuteta vaaraa. Tulipalovaaran takia ei lähitöllä saa olla mitään palavia aineita (kipinäetäisyydellä). Pölynpoistoa ei käytetä.

Vältä sinkoilevien kipinöiden ja hiomapölyn osumista kehoosi. Älä tartu käynnistetyn laitteen työskentelyalueelle.

Lastuja tai puruja ei saa poistaa koneen käydessä.

Pysäytä laite välittömästi jos siinä esiintyy huomattavaa värähtelyä tai huomaa muuta puutetta. Tarkista kone vian aiheuttajan määrittelemiseksi.

Äärimmäisen vaikeissa käyttöolosuhteissa (esim. kiilloitettaessa metalleja tukilautasella ja vulkaanikiuitu-hiomalaikoilla) saattaa kulmahiomalaitteen sisäpuolelle kertyä runsaasti likaa.



Älä päästä metalliesineitä tuuletusaukkoihin - oikosulkuvaara VAROITUS! Jotta vältetään lyhytsulun aiheuttama tulipalon, loukkaantumisen tai tuotteen vahingoittumisen vaara, älä koskaan upota työkalua, vaihtoaakua tai latauslaitetta nesteeseen ja huolehdi siitä, ettei mitään nesteitä pääse tunkeutumaan laitteiden tai akkujen sisään. Syövyttävät tai sähköä johtavat nesteet, kuten suolavesi, tietyt kemikaalit ja lalkaisuaineet tai valkaisuaineita sisältävät tuotteet voivat aiheuttaa lyhytsulun.

Vaihtoaakkuja ja latauslaitteita ei saa avata. Säilytys vain kuivissa tiloissa. Suojattava kosteudelta.

Käytä ainoastaan System GBS latauslaitetta System GBS akkujen lataukseen. Älä käytä muiden järjestelmien akkuja.

### JÄÄMÄRISKIT

Silloinakaan, kun kulmahiomakonetta käytetään kuvastasi, ei tiettyjä jäännösriskitekijöitä voida täysin sulkea ulos. Seuraavia vaaroja voi syntyä ja käyttäjän on kiinnitettävä erityistä huomiota seuraavien välttämiseen:

#### Lehtävien hiukkasten aiheuttamat vammat.

Metalli- tai hankaava hiukkaset voivat joutua silmiin ja aiheuttaa vakavia pysyviä vammoja.

Käytä hiontakäyttöön hyväksytyjä suojalaseja käyttäessään tuotteita

#### Tärinän aiheuttamat vammat.

Rajoi ta altistusta. Katso tärinän VAROITUS!

#### Pölyn aiheuttamat vammat.

Käytä asianmukaista pölysuojainta soveltuvilla suodattimilla suojaamiseksi työstettävän materiaalin hiukkasilta ja hiomalaikean hankaavilta hiukkasilta.

Älä syö, juo tai tupakoi työalueella. Varmista riittävä ilmanvaihto.

#### Hiomalaikean kanssa kosketuksiin joutumisen aiheuttama vamma.

Laikka ja työkappale kuumentuvat käytössä. Käytä käsineitä vaihtaessasi laikkoja tai koskettaessasi työkalua. Pidä kädet aina loitolla hiohtavasta alueesta.

Kiristä työkalua aina kun mahdollista.

#### Melun aiheuttamat vammat.

Pitkäaikainen altistuminen melulle lisää kuulovammojen riskiä, jonka vaikutukset kumuloi tuvat. Käytä kuulosuojaimia käyttäessään sähkötyökaluja pidemmän aikaan.

Työkalun pitkäaikainen käyttö voi aiheuttaa tai pahentaa vammoja. Jos käytät työkalua pidempiä aikoja, muista pitää säännöllisesti taukoja.

### TARKOITUKSEN MUKAINEN KÄYTTÖ

Kulmahiomakone on tarkoitettu metallin, kiiven, betonin ja keramisten materiaalien karkeaan hionniseen ja leikkaamiseen sekä hienoon hionniseen ja teräsharjaukseen.

Käytä lisävarustevalikoiman leikkaussuojusta leikkaustarkoituksiin.

Epäselvissä tapauksissa noudata lisävarusteiden valmistajien antamia ohjeita.

Konetta saa käyttää ainoastaan kuivatyökentelyyn.

Kulmahiomakoneessa tulisi käyttää ainoastaan asianmukaisia, tämän ohjeen tuote-erittelyn kuvauksen mukaisia hioma- tai leikkauslaikkoja ja niihin kuuluvia suojuksia (hionta- tai leikkuusuojus). Kulmahiomakone on tarkoitettu käsin pidettäväksi, eikä sitä tule asentaa armatuuriin tai työpöytään.

Älä käytä tuotetta muuhun kuin sille tarkoitettuun käyttöön.

### TYÖSKENTELYOHJEITA

Varmista sellaisissa työkaluissa, joihin on tarkoitus kiinnittää kierteisreikäinen laikka, että laikan kierre on riittävän pitkä sopimaan karan pituuteen.

Käytä ja säilytä katkaisu- ja hiomalaikeat aina valmistajan ohjeiden mukaan.

Rouhehionta- ja katkaisutyössä on aina käytettävä laikan suojakupua.

Taivutetut hiomalaikeat täytyy asentaa niin, ettei niiden hiomapinta ulotu suojakuvun reunatason ulkopuolelle.

Laippamutterin on oltava kunnolla kiristetty ennen koneen käyttöönottoa.

Käytä aina lisäkädensijaa.

Työstettävä kappale on kiinnitettävä, ellei se omapainonsa vuoksi pysy paikallaan. Älä koskaan vie työkalua kädelläsi hiomalaikeaa vastaan.

### AKKU

Yli 50°C lämpötilassa akun suorituskyky heikkenee. Välttämähän akkujen säilyttämistä auringossa tai kuivissa tiloissa.

Pidä aina latauslaitteen ja akun kosketinpinnat puhtaina.

Optimaalisen käyttöiän saavuttamiseksi akut on ladattava täyteen käytön jälkeen. Pitkään käyttämättä olleet vaihtoakut on ladattava ennen käyttöä.

Mahdollisimman pitkän elinajan takaamiseksi akut tulee poistaa laaturista lataamisen jälkeen.

Akkuja yli 30 päivää säilytettäessä; Säilytä akku yli 27 °C:ssa ja kuivassa.. Säilytä akku sen latauksen ollessa 30 % - 50 %. Lataa akku 6 kuukauden välein uudelleen.

Käytettyjä vaihtoaakkuja ei saa polttaa eikä poistaa normaalin jätehuollon kautta. AEG:lla on tarjolla vanhoja vaihtoaakkuja varten ympäristöstävällinen jätehuoltopalvelu.

Vaihtoaakkuja ei saa säilyttää yhdessä metalliesineiden kanssa (oikosulkuvaara).

### AKUN YLIKUORMITUSSUOJAU

Jos akku ylikuormittuu liian suuren virrankulutuksen vuoksi, esim. äärimmäisen suurissa vääntömomenteissa, liitetyn työkalun kiinnijuu tuessa, äkkipysähdyksessä tai oikosulussa, niin sähkötyökalu pysähtyy 2 sekunnin ajaksi ja sammuu sitten omatoimisesti. Nollasta varten poista työkalusta akkuyksikkö ja vaihda uuteen.

Erittäin suuressa kuormituksessa akku kuumenee liikaa. Tässä tapauksessa latausnäyttöön kaikki lamput vilkkuvat, kunnes akku on jäähtynyt. Kun latausnäyttö on sammunut, voi työtä jatkaa. Työnähän akku sitten latauslaitteeseen ja lataa se jälleen, jotta se aktivoituu.

### LITIUMI-IONI AKKUKUJEN KULJETTAMINEN

Litiumi-ioniakut kuuluvat vaarallisten aineiden kuljetuksesta annettujen lakien piiriin.

Näiden akkujen kuljettaminen täytyy suorittaa noudattaen paikallisia, kansallisia ja kansainvälisiä määräyksiä ja säädöksiä.

Kuluttajat saavat ilman muuta kuljettaa näitä akkuja teitä pitkin.

Kaupallisessa kuljetuksessa huolintaliikkeiden täytyy kuljettaa litiumi-ioniakkuja vaarallisten aineiden kuljetuksesta annettujen määräysten mukaisesti. Ainoastaan tähän vastaavasti koulutetut henkilöt saavat suorittaa kuljetuksen valmistelutoimet ja itse kuljetuksen. Koko prosessia tulee valvoa asiantuntevasti.

Seuraavat kohdat tulee huomioida akkuja kuljetettaessa:



Varmista, että akkujen kontaktit on suojattu ja eristetty, jotta vältetään lyhytsulut. Huolehdi siitä, ettei akkusarja voi luiskahtaa paikaltaan pakkauksen sisällä. Vahingoittuneita tai vuotavia akkuja ei saa kuljettaa. Pyydä tarkemmat tiedot huolintaliikkeeltäsi.

### UDELLEENKÄYNNISTYSSUOJA

Nollajännitekytkin estää koneen käynnistymisen uudelleen sähkökatkon (pariston vaihdon) jälkeen.

Työtä jatkettaessa tulee kone ensin sammuttaa ja sitten käynnistää uudelleen.

### PEHMEÄKÄYNNISTYKSEN

Elektronisen pehmeäkäynnistyksen vuoksi kone kiihtyy jatkuvasti kunnes ennalta valittu nopeus on saavutettu

### HUOLTO

Ota akku pois ennen kaikkia koneeseen tehtäviä toimenpiteitä.

Pidä moottorin ilmanottoaukot puhtaina.

Käytä vain AEG:n lisälaitteita ja varaosia. Käytä ammattitaitoisten AEG-huoltosopimusliikkeiden palveluja muiden kuin käyttöohjeessa kuvattujen osien vaihdossa. (esite takuu/ huoltoilikeluettelo).

Tarpeen vaatiessa voit pyytää lähettämään laitteen kokoonpanopiirustuksen ilmoittamalla arvokilven numeron seuraavasta osoitteesta: Techtronic Industries GmbH, Max-Eyth-Straße 10, 71364 Winnenden, Germany.

### TODISTUS CE-STANDARDINMUKAISUUDESTA

Vakuutamme täten olevamme yksin vastuussa siitä, että kohdassa "Tekniset tiedot" kuvattu tuote vastaa kaikkia direktiivien merkityksellisiä säädöksiä

2011/65/EU (RoHS)

2006/42/EY

2014/30/EU

ja seuraavia yhdenmukaistettuja standardeja on käytetty.

EN 60745-1:2009 + A11:2010

EN 60745-2-3:2011 + A2:2013 + A11:2014 + A12:2014 + A13:2015

EN 55014-1:2017

EN 55014-2:2015

EN 50581:2012



Winnenden, 2018-08-16

Alexander Krug / Managing Director

Valtuutettu kokoamaan tekniset dokumentit.

Techtronic Industries GmbH

Max-Eyth-Straße 10, 71364 Winnenden, Germany

### SYMBOLIT



HUOMIO! VAROITUS! VAARA!



Lue käyttöohjeet huolellisesti, ennen koneen käynnistämistä.



Käytä laitteella työskennellessäsi aina suojalaseja.



Käytä suojakäsineitä!



Ota akku pois ennen kaikkia koneeseen tehtäviä toimenpiteitä.



ANTI-tärinäjärjestelmä



Älä käytä väkivoimaa.



Vain katkaisutöihin.



Vain hiontatöihin.



Älä paina karan rajoittinappia käynnistyksen ja käynnissä olon aikana.



Lisäläite - Ei sisälly vakiovarustukseen, saatavana lisätervikkeena.



Vara-osa - ei sisälly vakiovarusteisiin, saatavana vara-osana.



Sähkölaitteita, paristoja/akkuja ei saa hävittää yhdessä kotitalousjätteiden kanssa. Sähkölaitteet ja akut tulee kerätä erikseen ja toimittaa kierrätysliikkeeseen ympäristöystävällistä hävittämistä varten. Pyydä paikallisilta viranomaisilta tai alan kauppiailtasi tarkemmat tiedot kierrätyspisteistä ja keräyspaikoista.

--- Tasavirta

V Jännite

n Nimellinen kierros-luku



Euroopan säännönmukaisuusmerkki

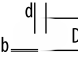
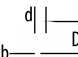




Ukrainan säännönmukaisuusmerkki



Euraasian säännönmukaisuusmerkki



ΤΕΧΝΙΚΑ ΣΤΟΙΧΕΙΑ ΓΩΝΙΑΚΟΣ ΤΡΟΧΟΣ ΜΠΑΤΑΡΙΑΣ	BEWS18-115BL	BEWS18-125BL
Αριθμός παραγωγής	4693 80 01 ... 4690 25 01 ... ... 000001-999999	4693 85 01 ... 4690 40 01 ... ... 000001-999999
Τάση ανταλλακτικής μπαταρίας	18 V	18 V
Ονομαστικός αριθμός στροφών	11000 min <sup>-1</sup>	11000 min <sup>-1</sup>
D= Μέγιστη διάμετρος δίσκου λείανσης Μέγ. d= διάμετρος οπής	115 mm 22,2 mm	125 mm 22,2 mm
 b= Πάχος δίσκου κοπής Ελάχ. / Μέγ.	1/3 mm	1/3 mm
 b= Πάχος τροχού λείανσης Μέγ.	6 mm	6 mm
 D= Διάμετρος δίσκου λείανσης Μέγ.	115 mm	125 mm
 D= Διάμετρος συρματόβουρτσας Μέγ.	75 mm	75 mm
Σπείρωμα ατράκτου	M 14	M 14
Βάρος σύμφωνα με τη διαδικασία EPTA 01/2014 (Li-Ion 1,5 Ah...9,0 Ah)	2,4 kg ... 3,1 kg	2,4 kg ... 3,1 kg
Συνιστώμενη θερμοκρασία περιβάλλοντος για τη λειτουργία	-18°C ... +50°C	-18°C ... +50°C
Συνιστώμενη δέσμη συσσωρευτών	L18...	L18...
Συνιστώμενη συσκευή φόρτισης	AL1218... / BL 1218...	AL1218... / BL 1218...
<b>Πληροφορίες θορύβου</b>		
Τιμές μέτρησης εξακριβωμένες κατά EN 60745. Η σύφωνα με την καμπύλη A εκτιμηθείσα στάθμη θορύβου του μηχανήματος αναφέρεται σε:		
Στάθμη ηχητικής πίεσης (Ανασφάλεια K=3dB(A))	83dB(A)	83dB(A)
Στάθμη ηχητικής ισχύος (Ανασφάλεια K=3dB(A))	84dB(A)	84dB(A)
<b>Φοράτε προστασία ακοής (ωτασπίδες)!</b>		
<b>Πληροφορίες δονήσεων</b>		
Υλικές τιμές κραδασμών (άθροισμα διανυσμάτων τριών διευθύνσεων) εξακριβώθηκαν σύμφωνα με τα πρότυπα EN 60745.		
Λείανση επιφανειών (Li-Ion 1,5 Ah): Τιμή εκπομπής δονήσεων a <sub>n,AG</sub>	9,4m/s <sup>2</sup>	9,4m/s <sup>2</sup>
Ανασφάλεια K=	1,5 m/s <sup>2</sup>	1,5 m/s <sup>2</sup>
Λείανση με γυαλόχαρτο (Li-Ion 1,5 Ah): Τιμή εκπομπής δονήσεων a <sub>n,DS</sub>	5,7m/s <sup>2</sup>	5,7m/s <sup>2</sup>
Ανασφάλεια K=	1,5 m/s <sup>2</sup>	1,5 m/s <sup>2</sup>

Σε άλλες εφαρμογές, όπως π.χ. διαχωριστική λείανση ή λείανση με τη συρματόβουρτσα μπορεί να προκύψουν άλλες τιμές ταλαντώσεων!

### ΠΡΕΙΔΟΠΟΙΗΣΗ για δόνηση!

Το αναφερόμενο σ' αυτές τις οδηγίες επίπεδο δονήσεων έχει μετρηθεί με μια τυποποιημένη σύμφωνα με το EN 60745 μέθοδο μέτρησης και μπορεί να χρησιμοποιηθεί για τη σύγκριση των ηλεκτρικών εργαλείων μεταξύ τους. Αυτό είναι επίσης κατάλληλο για μια προσωρινή εκτίμηση της επιβάρυνση των δονήσεων.

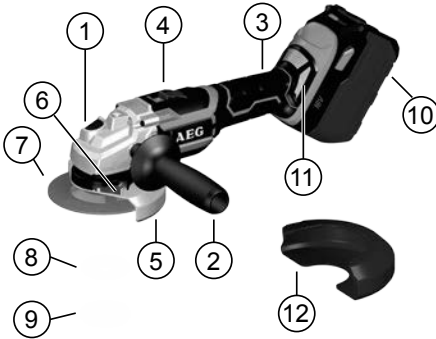
Το αναφερόμενο επίπεδο δονήσεων αντιπροσωπεύει τις κύριες χρήσεις του ηλεκτρικού εργαλείου. Εάν όμως το ηλεκτρικό χρησιμοποιείται σε άλλες χρήσεις, με διαφορετικά εργαλεία εφαρμογής ή ανεπαρκή συντήρηση, μπορεί να υπάρξει απόκλιση του επιπέδου δονήσεων. Αυτό μπορεί να αυξήσει σημαντικά την επιβάρυνση των δονήσεων για τη συνολική διάρκεια της εργασίας.

Για μια ακριβή εκτίμηση της επιβάρυνσης των δονήσεων οφείλουν επίσης να λαμβάνονται υπόψη οι χρόνοι, στους οποίους η συσκευή είναι απενεργοποιημένη ή είναι μεν ενεργοποιημένη αλλά δεν χρησιμοποιείται πραγματικά. Αυτό μπορεί να μειώσει σημαντικά την επιβάρυνση των δονήσεων για τη συνολική διάρκεια της εργασίας.

Καθορίζετε πρόσθετα μέτρα ασφαλείας για την προστασία του χειριστή από την επίδραση των δονήσεων όπως για παράδειγμα: Συντήρηση του ηλεκτρικού εργαλείου και των εργαλείων εφαρμογής, διατηρείτε ζεστά τα χέρια, οργάνωση των διαδικασιών εργασίας.

## **⚠ ΠΡΟΕΙΔΟΠΟΙΗΣΗ!**

**Διαβάστε όλες τις Υποδείξεις ασφαλείας και τις Οδηγίες.** Αμέλειες κατά την τήρηση των προειδοποιητικών υποδείξεων μπορεί να προκαλέσουν ηλεκτροπληξία, κίνδυνο πυρκαγιάς ή/και σοβαρούς τραυματισμούς.  
**Φυλάξτε όλες τις προειδοποιητικές υποδείξεις και οδηγίες για κάθε μελλοντική χρήση.**



### **Περιγραφή συσκευής**

- |                            |                         |
|----------------------------|-------------------------|
| 1 Ασφάλεια άξονα           | προφυλακτήρα            |
| 2 Πρόσθετη χειρολαβή / AVS | 7 Εξαρτήματα            |
| Πρόσθετη χειρολαβή         | 8 Φλάντζα               |
| Μονωμένη επιφάνεια         | 9 Παξιμάδι με ροδέλα /  |
| λαβής                      | Παξιμάδι FIXTEC         |
| 3 Λαβή Μονωμένη επιφάνεια  | 10 ΜΠΑΤΑΡΙΑ             |
| λαβής                      | 11 Προστατευτικό σκόνης |
| 4 Διακόπτης On-Off         | 12 Προφυλακτήρας κοπής  |
| 5 Προφυλακτήρας λείανσης   |                         |
| 6 Μοχλός κλειδώματος       |                         |

## **⚠ ΟΔΗΓΙΕΣ ΑΣΦΑΛΕΙΑΣ ΓΙΑ ΤΡΙΒΕΙΟ ΓΩΝΙΑΣ.**

**Κοινές προειδοποιητικές υποδείξεις για λείανση και λείανση με σμυριδόχαρτο, για εργασίες με σурματοβούρτσες, για στίλβωση και για εργασίες κοπή**

**a) Αυτό το ηλεκτρικό εργαλείο πρέπει να χρησιμοποιείται σαν λειαντήρας με σμυριδόχαρτο, για εργασίες με σурματοβούρτσες και σαν μηχανήμα κοπής.. Να λαμβάνετε πάντοτε υπόψη σας όλες τις προειδοποιητικές υποδείξεις, τις οδηγίες, τις απεικονίσεις και τα στοιχεία που σας παραδίδονται μαζί με το ηλεκτρικό εργαλείο. Η μη τήρηση των οδηγιών που ακολουθούν, μπορεί να οδηγήσει σε ηλεκτροπληξία, φωτιά και/ή σε σοβαρούς τραυματισμούς.**

**b) Αυτό το ηλεκτρικό εργαλείο δεν είναι κατάλληλο για γυάλισμα. Χρήσεις, οι οποίες δεν προβλέπονται για το ηλεκτρικό εργαλείο μπορούν να οδηγήσουν σε κινδύνους και να προκαλέσουν τραυματισμούς.**

**c) Μη χρησιμοποιήσετε ποτέ εξαρτήματα που δεν προβλέπονται και δεν προτάθηκαν από τον κατασκευαστή ειδικά γι' αυτό το ηλεκτρικό εργαλείο. Μόνο η διαπίστωση ότι μπορείτε να στερεώσετε ένα εξάρτημα στο ηλεκτρικό εργαλείο σας δεν εγγυάται την ασφαλή χρήση του.**

**d) Ο επιτρεπτός αριθμός στροφών του ανταλλακτικού εξαρτήματος πρέπει να είναι τουλάχιστον τόσο υψηλός όσο ο μέγιστος αριθμός στροφών που αναφέρεται επάνω στο ηλεκτρικό εργαλείο. Εξαρτήματα τα οποία περιστρέφονται με ταχύτητα μεγαλύτερη από την επιτρεπτή, ενδέχεται να σπάσουν και να εκσφενδονιστούν.**

**e) Η εξωτερική διάμετρος και το πάχος του εργαλείου που χρησιμοποιείται πρέπει να ανταποκρίνονται πλήρως στις αντίστοιχες διαστάσεις του ηλεκτρικού εργαλείου σας. Εργαλεία με εσφαλμένες διαστάσεις δεν μπορούν να καλυφθούν ή να ελεγχθούν ασφαλώς.**

**f) Τα σπειρώματα των ανταλλακτικών εξαρτημάτων πρέπει να ταιριάζουν με το σπείρωμα του τροχού κοπής. Στα ανταλλακτικά εξαρτήματα που συνδέονται με φλάντζες η διάτρηση του δίσκου πρέπει να ταιριάζει με τη διάμετρο της τοποθετημένης φλάντζας. Ανταλλακτικά εξαρτήματα που δεν ταιριάζουν στον άξονα της συσκευής είναι εκκεντρα, δονούνται υπερβολικά έντονα και μπορούν να οδηγήσουν στην απώλεια του ελέγχου του μηχανήματος.**

**g) Μη χρησιμοποιείτε χαλασμένα εργαλεία. Να ελέγχετε πάντοτε τα εργαλεία που πρόκειται να χρησιμοποιήσετε, π. χ. τους δίσκους κοπής ή σπασίματα και ρωγμές, του δίσκους λείανσης για ρωγμές, φορές ή ξεφτισίματα και τις σурματοβούρτσες για χαλαρά ή σπασμένα σύρματα. Σε περίπτωση που το ηλεκτρικό εργαλείο ή κάποιο χρησιμοποιημένο εργαλείο πέσει κάτω, τότε ελέγξτε το εργαλείο μήπως έχει υποστεί κάποια βλάβη ή χρησιμοποιήστε ένα άλλο, άψογο εργαλείο. Μετά τον έλεγχο και την τοποθέτηση του εργαλείου που πρόκειται να χρησιμοποιήσετε πρέπει να απομακρύνετε τυχόν παρευρισκόμενα πρόσωπα από το επίπεδο περιστροφής του εργαλείου, ή ακολούθως ν' αφήσετε το ηλεκτρικό εργαλείο να εργαστεί ένα λεπτό υπό το μέγιστο αριθμό στροφών χωρίς φορτίο. Τυχόν χαλασμένα εργαλεία σπάνε ως επί το πλείστον κατά τη διάρκεια αυτού του χρόνου δοκιμής.**

**h) Να φοράτε πάντοτε τη δική σας, ατομική προστατευτική ενδυμασία. Να χρησιμοποιείτε επίσης, ανάλογα με την εκάστοτε εργασία που εκτελείτε, προστατευτικές μάσκες, προστατευτικές διατάξεις ματιών ή προστατευτικά γυαλιά. Αν χρειαστεί, φορέστε και μάσκα προστασίας από σκόνη, ωσπασίδες προστατευτικά γάντια ή μια ειδική προστατευτική ποδιά, που θα σας προστατεύει από τυχόν εκσφενδονιζόμενα λειαντικά σωματίδια ή θραύσματα υλικού. Τα μάτια πρέπει να προστατεύονται από τυχόν αιωρούμενα σωματίδια που μπορεί δημιουργηθούν κατά την εκτέλεση των διάφορων εργασιών. Οι αναπνευστικές και οι προστατευτικές μάσκες πρέπει να φιλτράρουν τον αέρα και να συγκρατούν τη σκόνη που δημιουργείται κατά την εργασία. Σε περίπτωση που εκτεθείτε για πολύ χρόνο σε ισχυρό θόρυβο μπορεί να απωλέσετε την ακοή σας.**

**i) Φροντίστε, τυχόν παρευρισκόμενα άτομα να βρίσκονται πάντοτε σε ασφαλή απόσταση από τον τομέα που εργάζεσθε. Κάθε άτομο που μπαίνει στον τομέα που εργάζεσθε πρέπει να φορά προστατευτική ενδυμασία. Θραύσματα του υπό καταργασία τεμαχίου ή σπασμένων εργαλείων μπορεί να εκσφενδονιστούν και να προκαλέσουν τραυματισμούς ακόμη και εκτός του άμεσου τομέα εργασίας.**

**j) Να πλένετε τη συσκευή στις μονωμένες χειρολαβές όταν εκτελείτε εργασίες κατά τις οποίες τα κοπτικά εργαλεία θα μπορούσαν να πέσουν επάνω σε κρυμμένα καλώδια ρεύματος. Η επαφή των κοπτικών εργαλείων με αγωγό ροφοδοσίας τάσης μπορεί να θέσει τα μεταλλικά τμήματα της συσκευής υπ' όταση και να προκαλέσει ηλεκτροπληξία.**

**k) Μην αποθέτετε το ηλεκτρικό εργαλείο ποτέ, προτού το ανταλλακτικό εξάρτημα ακινητοποιηθεί πλήρως. Το**



περιστροφόμενο εργαλείο μπορεί να έρθει σε επαφή με την επιφάνεια στην οποία ακουμπήσατε το ηλεκτρικό εργαλείο κι έτσι να χάσετε τον έλεγχό του.

**l) Μην αφήσετε ο ηλεκτρικό εργαλείο να εργάζεται όταν το μεταφέρετε.** Τα ρούχα σας μπορεί να τυλιχτούν τυχαίως στο περιστροφόμενο εργαλείο κι αυτό να τρυπήσει το σώμα σας.

**m) Να καθαρίζετε τακτικά τις σχισμές αερισμού του ηλεκτρικού εργαλείου σας.** Η περπατώση του κινητήρα τραβάει σκόνη μέσα στο περίβλημα και η συσσώρευση μεταλλικής σκόνης μπορεί να δημιουργήσει ηλεκτρικούς κινδύνους.

**n) Μη χρησιμοποιείτε το ηλεκτρικό εργαλείο κοντά σε εύφλεκτα υλικά.** Ο σπινθηρισμός μπορεί να τα αναφλέξει.

**ο) Μη χρησιμοποιείτε εργαλεία που απαιτούν ψύξη με ψυκτικά υγρά.** Η χρήση νερού ή άλλων ψυκτικών υγρών μπορεί να οδηγήσει σε ηλεκτροπληξία.

### Κλότσημα και σχετικές προειδοποιητικές υποδείξεις

Το κλότσημα είναι μια απροσδόκητη αντίδραση όταν το περιστροφόμενο εργαλείο, π. χ. ο δίσκος κοπής, ο δίσκος λείανσης, η συρματοβουρτσα κτλ., προσκρούσει κάπου (σκοντάψει) ή μπλοκάρει. Το σφηνώμα ή το μπλοκάρισμα οδηγεί στην απότομη διακοπή της περιστροφής του εργαλείου. Έτσι, ένα τυχόν μη υπό έλεγχο ευρισκόμενο ηλεκτρικό εργαλείο αντιδρά στο σημείο μπλοκαρίσματος/προσκρούσης με σφοδρότητα και περιστρέφεται με συνεχώς αυξανόμενη ταχύτητα με αντίθετη από εκείνη του εργαλείου.

Όταν π. χ. ένας δίσκος κοπής σφηνώσει ή μπλοκάρει μέσα στο υπό κατεργασία υλικό, τότε η ακμή του δίσκου που βυθίζεται μέσα στο υλικό μπορεί να στρεβλώσει και ακολούθως ο δίσκος κοπής να πεταχτεί με ορμή και ανεξέλεγκτα από το υλικό ή να προκαλέσει κλότσημα. Όταν συμβεί αυτό ο δίσκος κοπής κινείται με κατεύθυνση προς το χειριστή/τη χειρίστρια ή και αντίθετα, ανάλογα με τη φορά περιστροφής στο σημείο μπλοκαρίσματος. Σε τέτοιες περιπτώσεις δεν αποκλείεται ακόμη και το σπάσιμο των δίσκων κοπής.

Το κλότσημα είναι το αποτέλεσμα ενός εσφαλμένου ή ελλιπού χειρισμού του ηλεκτρικού εργαλείου και μπορεί να αποφευχθεί με λήψη κατάλληλων προληπτικών μέτρων, σαν αυτά που περιγράφονται παρακάτω.

**a) Να κρατάτε το ηλεκτρικό εργαλείο πάντοτε καλά και να παίρνετε με το σώμα σας μόνο θέσεις, στις οποίες θα μπορούσατε να αντιμετωπίσετε επιτυχώς ένα ενδεχόμενο κλότσημα. Να χρησιμοποιείτε πάντοτε την πρόσθετη λαβή, αν αυτή φυσικά υπάρχει, για να εξασφαλίσετε έτσι το μέγιστο δυνατό έλεγχο του ηλεκτρικού εργαλείου σε περίπτωση εμφάνισης ανάστροφων και αντίρροπων δυνάμεων (π. χ. κλότσημα) κατά την εκκίνηση.** Ο χειριστής/η χειρίστρια μπορεί να αντιμετωπίσει με επιτυχία τα κλότσημα και τις αναστροφές ρολές.

**b) Μη βάζετε ποτέ τα χέρια σας κοντά στα περιστροφόμενα εργαλεία.** Σε περίπτωση κλοσήματος το εργαλείο μπορεί να περάσει πάνω από το χέρι σας.

**c) Μην παίρνετε με το σώμα σας θέσεις προς τις οποίες θα κινηθεί το ηλεκτρικό εργαλείο σε περίπτωση κλοσήματος.** Κατά το κλότσημα το ηλεκτρικό εργαλείο κινείται ανεξέλεγκτα με κατεύθυνση αντίθετη προς τη φορά περιστροφής του δίσκου λείανσης στο σημείο μπλοκαρίσματος.

**d) Να εργάζεσθε με ιδιαίτερη προσοχή σε γωνίες, κοφτερές ακμές κτλ. Φροντίζετε, το λειαντικό εργαλείο να μην ανατινάξει έξω από το υπό κατεργασία υλικό και να μη σφηνώσει σ' αυτό.** Το περιστροφόμενο λειαντικό εργαλείο σφηνώνει εύκολα κατά την εργασία σε γωνίες και σε κοφτερές ακμές ή όταν εκτινάσσεται. Αυτό προκαλεί κλότσημα ή απώλεια του ελέγχου.

**e) Μη χρησιμοποιείτε λάμες για αλυσόπριονα ή οδοντωτές πριονόλαμες.** Τέτοια ανταλλακτικά εξαρτήματα προκαλούν συχνά κλότσημα ή οδηγούν σε απώλεια του ελέγχου του ηλεκτρικού εργαλείου.

### Ιδιαίτερες προειδοποιητικές υποδείξεις για λείανση και κοπή

**a) Να χρησιμοποιείτε αποκλειστικά λειαντικά σώματα που είναι κατάλληλα για το ηλεκτρικό εργαλείο σας και μόνο προφυλακτήρες που προβλέπονται γ' αυτά τα λειαντικά σώματα.** Λειαντικά σώματα που δεν προβλέπονται για το ηλεκτρικό εργαλείο δεν μπορούν να καλυφτούν επαρκώς και γ' αυτό είναι ανασφαλή.

**b) Οι πτυχωτοί τροχοί λείανσης πρέπει να τοποθετούνται με τέτοιο τρόπο ώστε η επιφάνεια λείανσης να μην εξέχει από την καλύπτρα προστασίας.** Σε περίπτωση που ο τροχός λείανσης δεν τοποθετηθεί σωστά και εξέχει από την καλύπτρα προστασίας δεν μπορεί να καλυφθεί επαρκώς.

**c) Να χρησιμοποιείτε πάντοτε τον προφυλακτήρα που προβλέπεται για τον τύπο του εκάστοτε λειαντικού σώματος. Ο προφυλακτήρας πρέπει να είναι ασφαλώς στερεωμένος στο ηλεκτρικό εργαλείο και να είναι ρυθμιζόμενος κατά τέτοιο τρόπο, ώστε έτσι να επιτυγχάνεται η μέγιστη δυνατή ασφάλεια, δηλαδή το τμήμα του λειαντικού εργαλείου που δείχνει προς το χειριστή/τη χειρίστρια να είναι όσο το δυνατό πιο μικρό.** Ο προφυλακτήρας προστατεύει το χειριστή/τη χειρίστρια από τυχόν θραύσματα και αθέλητη επαφή με το λειαντικό σώμα.

**d) Τα λειαντικά σώματα πρέπει να χρησιμοποιούνται μόνο για τις εργασίες που αυτό προβλέπονται. Μην λειανείτε ποτέ με την πλευρική επιφάνεια ενός δίσκου κοπής.** Οι δίσκοι κοπής προορίζονται για αφαίρεση υλικού μόνο με την ακμή τους. Αυτά τα λειαντικά σώματα μπορεί να σπάσουν όταν υποστούν πίεση από τα πλάγια.

**e) Να χρησιμοποιείτε πάντοτε άφογες φλάντζες σύσφιξης με το σωστό μέγεθος και τη σωστή μορφή, ανάλογα με το δίσκο λείανσης που επλέξατε.** Οι κατάλληλες φλάντζες στηρίζουν το δίσκο λείανσης και μειώνουν έτσι τον κίνδυνο του σπασίματος των. Οι φλάντζες για δίσκους κοπής μπορεί να διαφέρουν από τις φλάντζες για άλλους δίσκους λείανσης.

**f) Να μη χρησιμοποιείτε μεταχειρισμένους δίσκους λείανσης από μεγαλύτερα ηλεκτρικά εργαλεία.** Δίσκοι λείανσης για μεγαλύτερα λειαντικά εργαλεία δεν είναι κατάλληλοι για τους υψηλότερους αριθμούς στροφών των μικρότερων ηλεκτρικών εργαλείων και γ' αυτό μπορεί να σπάσουν.

### Συμπληρωματικές προειδοποιητικές υποδείξεις για δίσκους κοπής

**a) Να αποφεύγετε το μπλοκάρισμα των δίσκων κοπής και/ή την άσκηση πολύ υψηλής πίεσης. Να μη διεγείνετε τσιμές υπερβολικού βάθους.** Η υπερβολική επιβάρυνση του δίσκου κοπής αυξάνει τη μηχανική παραμόρφωσή του και τον κίνδυνο στρεβλώσεως κι έτσι και τις πιθανότητες κλοσήματος ή σπασίματος του λειαντικού σώματος.

**b) Να αποφεύγετε την περιοχή μπροστά και πίσω από τον περιστροφόμενο δίσκο κοπής.** Όταν σπρώχνετε το δίσκο κοπής μέσα στο υπό κατεργασία τεμάχιο τότε, σε περίπτωση κλοσήματος, το ηλεκτρικό εργαλείο με τον περιστροφόμενο δίσκο μπορεί να εκσφενδονιστεί κατευθείαν επάνω σας.

**c) Όταν ο δίσκος κοπής μπλοκάρει ή όταν διακόπτετε την εργασία σας πρέπει να θέσετε το ηλεκτρικό εργαλείο εκτός λειτουργίας και ακολουθήσετε να το κρατάτε ήρεμα μέχρι ο δίσκος κοπής να σταματήσει εντελώς να κινείται. Μην προσπαθήσετε ποτέ να βγάλετε το δίσκο κοπής από το υλικό όταν αυτός**

**κινείται ακόμη, διαφορετικά υπάρχει κίνδυνος κλοστήματος.** Εξακριβώστε κι εξουδετερώστε την αιτία του μπλοκαρίσματος.

**d) Μη θέσετε το ηλεκτρικό εργαλείο πάλι σε λειτουργία όσο ο δίσκος κοπής βρίσκεται ακόμη μέσα στο υπό καταργασία τεμάχιο. Αφήστε το δίσκο κοπής να αποκτήσει το μέγιστο αριθμό στροφών πριν συνεχίσετε προσεκτικά την κοπή.**

Διαφορετικά ο δίσκος μπορεί να σφηνώσει, να πεταχτεί με ορμή έξω από το υπό καταργασία υλικό ή να προκαλέσει κλότσημα.

**e) Πλάκες, ή άλλα μεγάλα υπό καταργασία τεμάχια, πρέπει να υποστηρίζονται για να ελαττωθεί ο κίνδυνος κλοστήματος από έναν τυχόν μπλοκαρισμένο δίσκο κοπής.** Μεγάλα υπό καταργασία τεμάχια μπορεί να λυγίσουν κάτω από το ίδιο τους το βάρος. Το υπό καταργασία τεμάχιο πρέπει να υποστηριχτεί και στις δύο πλευρές του, και κοντά στην τομή κοπής και στην ακμή του.

**f) Να είστε ιδιαίτερα προσεκτικοί σε „τομές θαλάκων“ σε υπαρχόντες τοίχους ή άλλους τυφλούς τοίχους.** Ο βυθιζόμενος δίσκος κοπής μπορεί να κόψει σωλήνες φωταερίου (γκαζιού) ή νερού, ηλεκτρικές γραμμές ή αντικείμενα που μπορεί να προκαλέσουν κλότσημα.

**Ιδιαίτερες προειδοποιητικές υποδείξεις για εργασίες λείανσης με σμυριδόχαρτο:**

**a) Μη χρησιμοποιείτε υπερμεγέθη σμυριδόφυλλα αλλά τηρείτε τις συστάσεις του κατασκευαστή για το μέγεθος των σμυριδόφυλλων.** Σμυριδόφυλλα που προεξέχουν από το δίσκο λείανσης μπορεί να προκαλέσουν τραυματισμούς, να οδηγήσουν σε μπλοκάρισμα, να σχιστούν ή να προκαλέσουν κλότσημα.

**Ιδιαίτερες προειδοποιητικές υποδείξεις για εργασίες με σαρματόβουρτσες:**

**a) Προσέχετε, διότι από τη μεταλλική βούρτσα επίσης και κατά τη συνήθη χρήση αποκόπτονται κομμάτια σύρματος. Μην επιβαρύνετε τα σύρματα με πολύ υψηλή δύναμη προσίπησης.** Εκσφενδονισμένα κομμάτια σύρματος μπορούν να διαπεράσουν πολύ εύκολα λεπτά ρούχα και το δέρμα.

**b) Όταν προτείνεται η χρήση προφυλακτήρα πρέπει να φροντίζετε, τα σύρματα της βούρτσας να μην εγγιζουν τον προφυλακτήρα.** Η διάμετρος των δισκοειδών και των ποτηρειδών βουρτσών μπορεί να μεγαλώσει εξαιτίας της ασκοκλιμένης πίεσης και της ανάπτυξης κεντροφυγών δυνάμεων.

**Περαιτέρω οδηγίες ασφαλείας και χρήσεως**

Ελέγχετε πάντα το κουμπί ασφάλειας άδονα σε πλήρως απελευθερωμένη κατάσταση πριν ενεργοποιήσετε το εργαλείο! Αφού χρησιμοποιήσετε την ασφάλεια άδονα για να σφίξετε/ χαλαρώσετε το δίσκο λείανσης, είναι πιθανό το κουμπί να κολλήσει στη θέση κλειδώματος. Παρ' όλα αυτά μπορεί να λειτουργήσει το εργαλείο ή η προστασία μπαταρίας και το εργαλείο να τροφοδοτηθεί με ρεύμα. Θέστε το διακόπτη στη θέση απενεργοποίησης, αφαιρέστε την μπαταρία και στη συνέχεια ταρακουνήστε το δίσκο προσεκτικά μπρος και πίσω για να απελευθερώσετε το κουμπί της ασφάλειας άδονα.

Σημείωση: Αν η προστασία μπαταρίας έχει επίσης ενεργοποιηθεί, απλώς αφαιρέστε το πακέτο συσσωρευτών από το εργαλείο και αντικαταστήστε το, πραγματοποιώντας έτσι επαναφορά της προστασίας.

Κατά την λείανση/τρίψιμα των μετάλλων δημιουργούνται σπινθήρες. Προσέχετε, να μην τεθεί σε κίνδυνο κανένα άτομο. Λόγω του κινδύνου πυρκαγιάς δεν επιτρέπεται να βρίσκονται κοντά εύφλεκτα υλικά (περιοχή εκτόξευσης των σπινθήρων). Μη χρησιμοποιείτε καμία διάταξη αναρρόφησης σκόνης.

Μην αφήνετε τις σπίνες και την σκόνη που πετάνονται να σας χτυπάνε στο σώμα.

Μην απλώνετε τα χέρια σας στην επικίνδυνη περιοχή της μηχανής όταν είναι σε λειτουργία.

Τα γράζια ή οι σκλήθρες δεν επιτρέπεται να απομακρύνονται όσο η μηχανή βρίσκεται σε λειτουργία.

Θέστε τη συσκευή αμέσως εκτός λειτουργίας όταν παρουσιαστούν σημαντικοί κραδασμοί ή διαπιστωθούν άλλα ελαττώματα. Ελέγξτε τη μηχανή, ή να διαπιστώσετε την αιτία.

Σε ακραίες συνθήκες χρήσης (π. χ. ξεχονδρίσμα μετάλλων με τον ελαστικό δίσκο και τα λειαντικά φίμπερ) μπορεί να αναπτυχθεί πολύ βρομιά στο εσωτερικό του γωνιακού τροχού.

Λόγω του κινδύνου βραχυκυκλώματος δεν επιτρέπεται να μπαίνουν μεταλλικά αντικείμενα στις σχισμές εξερισμού.

**ΠΡΟΕΙΔΟΠΟΙΗΣΗ!** Για να αποτρέπεται τον κίνδυνο πυρκαγιάς λόγω βραχυκυκλώματος, τραυματισμού ή ζημιές του προϊόντος, να μη βυθίζετε το εργαλείο, τον ανταλλακτικό συσσωρευτή ή τη συσκευή φόρτισης σε υγρά και να φροντίζετε, ώστε να μη διεισδύουν υγρά στις συσκευές και τους συσσωρευτές. Διαβρωτικές ή αγώγιμες υγρές ουσίες, όπως αλατόνερο, ορισμένες χημικές ουσίες και λευκαντικά ή προϊόντα που περιέχουν λευκαντικά, μπορεί να προκαλέσουν βραχυκύκλωμα.

Μην ανοίγετε τις ανταλλακτικές μπαταρίες και τους φορτιστές και χρησιμοποιείτε για αποθήκευση μόνο στεγνούς χώρους. Προστατεύετε τις ανταλλακτικές μπαταρίες και τους φορτιστές από την υγρασία.

Φορτίζετε τις ανταλλακτικές μπαταρίες του συστήματος GBS μόνο με φορτιστές του συστήματος GBS. Μη φορτίζετε μπαταρίες από άλλα συστήματα.

## ΛΟΙΠΟΙ ΚΙΝΔΥΝΟΙ

Ακόμη και όταν ο γωνιακός τροχός χρησιμοποιείται όπως ορίζεται, εξακολουθεί να είναι αδύνατο να εξαλειφθούν πλήρως ορισμένοι υπολειπόμενοι παράγοντες κινδύνου. Ενδέχεται να προκύψουν οι ακόλουθοι κίνδυνοι και ο χειριστής θα πρέπει να δώσει ιδιαίτερη προσοχή για να αποφευχθούν τα εξής:

**Τραυματισμός εξαιτίας εκτοξευόμενων σωματιδίων.**

Μεταλλικά ή λειαντικά σωματίδια μπορεί να εισαχθούν στα μάτια και να προκαλέσουν σοβαρές μόνιμες βλάβες.

Φοράτε προστατευτικά γυαλιά, που να είναι εγκεκριμένα για εργασίες λείανσης, κάθε φορά που χρησιμοποιείτε το προϊόν

**Τραυματισμός εξαιτίας δόνησης.**

Περιορίστε την έκθεση. Βλέπε ΠΡΟΕΙΔΟΠΟΙΗΣΗ για τη δόνηση!

**Τραυματισμός εξαιτίας σκόνης.**

Φοράτε ενδεδειγμένη μάσκα ελέγχου της σκόνης με φίλτρα κατάλληλα για προστασία έναντι σωματιδίων από το υλικό προς επεξεργασία και λειαντικών σωματιδίων από το γωνιακό τροχό.

Μην τρώτε, πίνετε ή καπνίζετε στο χώρο εργασίας. Δισφαλίζετε τον επαρκή αερισμό.

**Τραυματισμός εξαιτίας επαφής με το γωνιακό τροχό.**

Ο δίσκος και το υλικό προς επεξεργασία αναπτύσσουν πολύ υψηλή θερμοκρασία κατά τη διάρκεια της χρήσης. Φοράτε γάντια όταν αλλάζετε δίσκους ή αγγίζετε το υλικό προς επεξεργασία. Κρατάτε πάντα τα χέρια σας μακριά από την περιοχή λείανσης.

Στερεώνετε το υλικό προς επεξεργασία με σφιγκτήρες όποτε είναι δυνατό.

**Τραυματισμός εξαιτίας θορύβου.**

Η παρατεταμένη έκθεση στο θόρυβο θα αυξήσει τον κίνδυνο βλάβης της ακοής και οι επιδράσεις είναι αθροιστικές. Όταν χρησιμοποιείτε ηλεκτρικά εργαλεία για παρατεταμένη χρονική περίοδο, φοράτε προστατευτικά ακοής.



Μπορεί να προκληθούν ή να επιδεινωθούν τραυματισμοί από την παρατεταμένη χρήση ενός εργαλείου. Όταν χρησιμοποιείτε οποιοδήποτε εργαλείο για παρατεταμένες χρονικές περιόδους, βεβαιωθείτε ότι κάνετε τακτικά διαλείμματα.

#### ΧΡΗΣΗ ΣΥΜΦΩΝΑ ΜΕ ΤΟ ΣΚΟΠΟ ΠΡΟΟΡΙΣΜΟΥ

Ο γωνιακός τροχός προορίζεται για τη λείανση ή την κοπή μετάλλου, πέτρας, σκυροδέματος και κεραμικών υλικών, καθώς και για το τρίψιμο με υαλόχαρτο και την επεξεργασία με συρματοβούρτσas.

Για την κοπή, χρησιμοποιήστε το καπάκι κοπής από την περιοχή των εξαρτημάτων.

Σε περίπτωση αμφιβολιών προσέχετε τις υποδείξεις του κατασκευαστή των πρόσθετων εξαρτημάτων.

Η ηλεκτρική συσκευή είναι κατάλληλη μόνο για επεξεργασία χωρίς νερό.

Πρέπει να χρησιμοποιείτε μόνο ενδεδειγμένους δίσκους λείανσης ή κοπής και σχετικά προστατευτικά (προστατευτικό λείανσης ή προστατευτικό κοπής) με το γωνιακό τροχό, όπως περιγράφεται στην ενότητα προδιαγραφών προϊόντος του παρόντος εγχειριδίου. Ο γωνιακός τροχός είναι σχεδιασμένος για φορητή χρήση. Δεν πρέπει να σταθεροποιείται σε διάταξη σύσφιξης ή σε πάγκο εργασίας.

Μη χρησιμοποιείτε το προϊόν με οποιοδήποτε άλλο τρόπο από αυτούς που δηλώνονται για την προβλεπόμενη χρήση.

#### ΥΠΟΔΕΙΞΙΣ ΕΡΓΑΣΙΑΣ

Για εργαλεία στα οποία προσαρμόζεται τροχός με σπειρωτή οπή, βεβαιωθείτε ότι το σπείρωμα στον τροχό έχει αρκετό μήκος ώστε να ανταποκρίνεται στο μήκος του άξονα.

Χρησιμοποιείτε και φυλάγετε τους δίσκους κοπής και λείανσης πάντοτε σύμφωνα με τις οδηγίες του κατασκευαστή.

Κατά το ξεχόνδρισμα και το κόψιμο να εργάζεστε πάντοτε με το κάλυμμα προστασίας.

Οι πτυχωτοί τροχοί λείανσης πρέπει να τοποθετούνται με τέτοιο τρόπο ώστε η επιφάνεια λείανσης να μην εξέχει από την καλύπτρα προστασίας.

Το φλαντζωτό παξιμάδι πρέπει να έχει σφικτεί πριν την έναρξη λειτουργίας της μηχανής.

Χρησιμοποιείτε πάντοτε την πρόσθετη χειρολαβή.

Το προς επεξεργασία κομμάτι πρέπει να σφικτεί καλά, όταν δεν μπορεί να κρατηθεί με το ίδιο του το βάρος. Μην κρατάτε ποτέ το επεξεργαζόμενο κομμάτι με το χέρι ενάντια στο δίσκο.

#### ΜΠΑΤΑΡΙΣ

Μια θερμοκρασία πάνω από 50°C μειώνει την ισχύ της ανταλλακτικής μπαταρίας. Αποφύγετε τη θέρμανση για μεγαλύτερο χρονικό διάστημα από τον ήλιο ή τις συσκευές θέρμανσης.

Διατηρείτε τις επαφές σύνδεσης στο φορτιστή και στην ανταλλακτική μπαταρία καθαρές.

Για μια άριστη διάρκεια ζωής πρέπει μετά τη χρήση οι μπαταρίες να φορτιστούν πλήρως. Επαναφορτίζετε τις ανταλλακτικές μπαταρίες που δεν έχουν χρησιμοποιηθεί για μεγαλύτερο χρονικό διάστημα πριν τη χρήση.

Για μια κατά το δυνατόν μεγάλη διάρκεια ζωής οι μπαταρίες μετά τη φόρτιση οφείλουν να αφαιρεθούν από το φορτιστή.

Για την αποθήκευση της μπαταρίας για διάστημα μεγαλύτερο των 30 ημερών, Αποθηκεύετε τη μπαταρία περ. στους 27°C σε στεγνό χώρο, Αποθηκεύετε τη μπαταρία περ. στο 30%-50%

της κατάστασης φόρτισης., Κάθε 6 μήνες φορτίζετε εκ νέου τη μπαταρία.

Μην πετάτε τις μεταχειρισμένες ανταλλακτικές μπαταρίες στη φωτιά ή στα οικιακά απορρίμματα. Η ΑΕΓ προσφέρει μια απόσυρση των παλιών ανταλλακτικών μπαταριών σύμφωνα με τους κανόνες προστασίας του περιβάλλοντος, ρωτήστε παρακαλώ σχετικά στο ειδικό κατάστημα πώλησης.

Μην αποθηκεύετε τις ανταλλακτικές μπαταρίες μαζί με μεταλλικά αντικείμενα (κίνδυνος βραχυκυκλώματος).

#### ΠΡΟΣΤΑΣΙΑ ΥΠΕΡΦΟΡΤΩΣΗΣ ΤΗΣ ΜΠΑΤΑΡΙΑΣ

Σε περίπτωση υπερφόρτισης συσσωρευτή μέσω πολύ υψηλής κατανάλωσης ρεύματος, π.χ. υπερβολικά υψηλή ροπή στρέψης, μάγκωμα του ένθετου εργαλείου, ξαφνικό σταμάτημα ή βραχυκύκλωμα, σταματά το ηλεκτρικό εργαλείο για 2 δευτερόλεπτα και απενεργοποιείται αυτόματα. Για να πραγματοποιήσετε επαναφορά, αφαιρέστε το πακέτο συσσωρευτών από το εργαλείο και αντικαταστήστε το.

Κάτω από ακραίες καταπονήσεις θερμαίνεται πάρα πολύ η μπαταρία. Στην περίπτωση αυτή αναβοσβήνουν όλες οι λάμπες της ένδειξης φόρτισης μέχρι να έχει κρυώσει η μπαταρία. Μετά το σβήσιμο της ένδειξης φόρτισης μπορεί να συνεχιστεί η συνεργασία. Τοποθετείτε στη συνέχεια τη μπαταρία στη συσκευή φόρτισης για να τη φορτίσετε πάλι και να την ενεργοποιήσετε.

#### ΜΕΤΑΦΟΡΑ ΤΩΝ ΜΠΑΤΑΡΙΩΝ ΙΟΝΤΩΝ ΛΙΘΙΟΥ

Οι μπαταρίες ιόντων λιθίου υπόκεινται στις απαιτήσεις των νομικών διατάξεων για την μεταφορά επικινδύνων εμπορευμάτων.

Η μεταφορά τέτοιων μπαταριών πρέπει να πραγματοποιείται τηρώντας τους τοπικούς, εθνικούς και διεθνείς κανονισμούς και τις αντίστοιχες διατάξεις.

Επιτρέπεται η μεταφορά τέτοιων μπαταριών στο δρόμο χωρίς περαιτέρω απαιτήσεις.

Η εμπορική μεταφορά μπαταριών ιόντων λιθίου από εταιρείες μεταφορών υπόκειται στις απαιτήσεις των νομικών διατάξεων για την μεταφορά επικινδύνων εμπορευμάτων. Οι προετοιμασίες αποστολής και η μεταφορά πραγματοποιούνται αποκλειστικά από ειδικά εκπαιδευμένα πρόσωπα. Η συνολική διαδικασία συνοδεύεται από εξειδικευμένο προσωπικό.

Κατά τη μεταφορά μπαταριών ιόντων λιθίου πρέπει να προσέχετε τα εξής:

Φροντίστε τα σημεία επαφών να είναι προστατευμένα και μονωμένα ώστε να αποφευχθούν βραχυκυκλώματα. Προσέξτε το πακέτο μπαταριών να είναι σταθερό μέσα στη συσκευασία και να μη γλιστρά. Η μεταφορά μπαταριών που παρουσιάζουν φθορές ή διαρροές δεν επιτρέπεται. Για περισσότερες πληροφορίες απευθυνθείτε στην εταιρεία μετάφορων.

#### ΠΡΟΣΤΑΣΙΑ ΕΠΑΝΕΚΚΙΝΗΣΗΣ

Ο διακόπτης μηδενικής τάσης προστατεύει από επανεκκίνηση της συσκευής μετά από μια διακοπή ρεύματος (αλλαγή μπαταρίας).

Σε νέα έναρξη της εργασίας απενεργοποιείτε τη μηχανή και ενεργοποιείτε εκ νέου.

#### ΜΑΛΑΚΟ ΕΝΑΡΞΗ

Το ηλεκτρονικό σύστημα αυξάνει ομαλά τον αριθμό στροφών ώστε να αποφευχθεί μια απότομη εκκίνηση της μηχανής και να διασφαλισθεί ο οίγουρος χειρισμός της.



## ΣΥΝΤΗΡΗΣΗ

Πριν από κάθε εργασία στη μηχανή αφαιρείτε την ανταλλακτική μπαταρία.

Διατηρείτε πάντοτε τις σχισμές εξαερισμού της μηχανής καθαρές.

Χρησιμοποιείτε μόνο εξαρτήματα και ανταλλακτικά της AEG. Αναθέστε την αλλαγή των εξαρτημάτων, των οποίων η αντικατάσταση δεν έχει περιγραφεί, σ' ένα κέντρο σέρβις της AEG (προσέξτε το εγχειρίδιο Εγγύηση/Διευθύνσεις εξυπηρέτησης πελατών).

Όταν χρειάζεται, μπορείτε να ζητήσετε ένα σχέδιο συναρμολόγησης της συσκευής, δίνοντας τον τύπο της μηχανής και αριθμό στην πινακίδα ισχύος, από το κέντρο σέρβις ή απευθείας από τη φίρμα Techtronic Industries GmbH, Max-Eyth-Straße 10, 71364 Winnenden, Germany.

## ΔΗΛΩΣΗ ΠΙΣΤΟΤΗΤΑΣ ΕΚ

Δηλώνουμε με αποκλειστική μας ευθύνη, ότι το προϊόν που περιγράφεται στα «Τεχνικά Χαρακτηριστικά» συμμορφώνεται με όλες τις σχετικές διατάξεις των οδηγιών

2011/65/ΕΕ (RoHS)

2006/42/ΕΚ

2014/30/ΕΕ

και έχουν εφαρμοστεί τα ακόλουθα εναρμονισμένα πρότυπα

EN 60745-1:2009 + A11:2010

EN 60745-2-3:2011 + A2:2013 + A11:2014 + A12:2014 + A13:2015

EN 55014-1:2017

EN 55014-2:2015

EN 50581:2012



Winnenden, 2018-08-16

Alexander Krug / Managing Director

Εξουσιοδοτημένος να συντάξει τον τεχνικό φάκελο.

Techtronic Industries GmbH

Max-Eyth-Straße 10, 71364 Winnenden, Germany

## ΣΥΜΒΟΛΑ



ΠΡΟΣΟΧΗ! ΠΡΟΕΙΔΟΠΟΙΗΣΗ! ΚΙΝΔΥΝΟΣ!



Παρακαλώ διαβάστε σχολαστικά τις οδηγίες χρήσης πριν από την έναρξη λειτουργίας.



Στις εργασίες με τη μηχανή φοράτε πάντοτε προστατευτικά γυαλιά.



Να φοράτε προστατευτικά γάντια!



Πριν από κάθε εργασία στη μηχανή αφαιρείτε την ανταλλακτική μπαταρία.



ANTI-κραδασμικό σύστημα



Μην βάζετε δύναμη.



Μόνο για εργασίες κοπής.



Μόνο για εργασίες λείανσης.



Μην πατάτε το κουμπί ασφαλείας άξονα κατά την εκκίνηση και κατά τη λειτουργία.



Εξαρτήματα - Δεν περιλαμβάνονται στα υλικά παράδοσης, συνιστούμενη προσθήκη από το πρόγραμμα εξαρτημάτων.



Ανταλλακτικό - Δεν περιλαμβάνεται στον παραδοτέο εξοπλισμό, διατίθεται ως ανταλλακτικό.



Ηλεκτρικά μηχανήματα, μπαταρίες/συσσωρευτές δεν επιτρέπεται να απορρίπτονται μαζί με τα οικιακά απορρίμματα. Ηλεκτρικά μηχανήματα και συσσωρευτές συλλέγονται ξεχωριστά και παραδίδονται προς ανακύκλωση με τρόπο φιλικό προς το περιβάλλον σε επιχείρηση επεξεργασίας απορριμμάτων. Ενημερωθείτε από τις τοπικές υπηρεσίες ή από ειδικευμένους εμπόρους σχετικά με κέντρα ανακύκλωσης και συλλογής απορριμμάτων.



Συνεχές ρεύμα

V

Τάση

n

Ονομαστικός αριθμός στροφών



Ευρωπαϊκό σήμα πιστότητας





Ουκρανικό σήμα πιστότητας



Ευρασιατικό σήμα πιστότητας



TEKNİK VERİLER Akü açma aleti	BEWS18-115BL	BEWS18-125BL
Üretim numarası	4693 80 01 ... 4690 25 01 ... ... 000001-999999	4693 85 01 ... 4690 40 01 ... ... 000001-999999
Kartuş akü gerilimi	18 V	18 V
Devir sayısı	11000 min <sup>-1</sup>	11000 min <sup>-1</sup>
D= taşlama diski çapı Maks. d= Delik ø d   b — D b= Kesme diski kalınlığı Min. / Maks. d   b — D b= Taşlama diski kalınlığı Maks.	115 mm 22,2 mm 1/3 mm 6 mm	125 mm 22,2 mm 1/3 mm 6 mm
 D= Taşlama yüzeyi çapı Maks.	115 mm	125 mm
 D= Saçaklı çanak fırça çapı Maks.	75 mm	75 mm
Mil dişi	M 14	M 14
Ağırlığı ise EPTA-üretici 01/2014'e göre (Li-Ion 1,5 Ah...9,0 Ah)	2,4 kg ... 3,1 kg	2,4 kg ... 3,1 kg
Çalıştırılması için tavsiye edilen ortam sıcaklığı	-18°C ... +50°C	-18°C ... +50°C
Tavsiye edilen güç paketleri	L18...	L18...
Tavsiye edilen şarj aletleri	AL1218... / BL 1218...	AL1218... / BL 1218...
<b>Gürültü bilgileri</b> Ölçüm değerleri EN 60745 e göre belirlenmektedir. Aletin, frekansa bağımlı uluslararası ses basıncı seviyesi değerlendirme eğrisi A'ya göre tipik gürültü seviyesi: Ses basıncı seviyesi (Tolerans K=3dB(A)) Akustik kapasite seviyesi (Tolerans K=3dB(A))	83dB(A) 84dB(A)	83dB(A) 84dB(A)
<b>Koruyucu kulaklık kullanın!</b>		
<b>Vibrasyon bilgileri</b> Toplam titreşim değeri (üç yönün vektör toplamı) EN 60745'e göre belirlenmektedir: Üst yüzey taşlaması (Li-Ion 1,5 Ah): titreşim emisyon değeri a <sub>h,AG</sub> Tolerans K= Zımpara kağıdı ile taşlama (Li-Ion 1,5 Ah): titreşim emisyon değeri a <sub>h,DS</sub> Tolerans K=	9,4m/s <sup>2</sup> 1,5 m/s <sup>2</sup> 5,7m/s <sup>2</sup> 1,5 m/s <sup>2</sup>	9,4m/s <sup>2</sup> 1,5 m/s <sup>2</sup> 5,7m/s <sup>2</sup> 1,5 m/s <sup>2</sup>

Diğer uygulamalarda, örneğin çelik tel fırça ile ayırarak taşlama veya taşlama işleminde başka vibrasyon değerleri ortaya çıkabilir!

### Titreşim için UYARI!

Bu talimatlarda belirtilen titreşim seviyesi, EN 60745 standardına uygun bir ölçme metodu ile ölçülmüştür ve elektrikli el aletleri birbiriyle karşılaştırmak için kullanılabilir. Ölçüm sonuçları ayrıca titreşim yükünün geçici değerlendirmesi için de uygundur.

Belirtilen titreşim seviyesi, elektrikli el aletinin genel uygulamaları için geçerlidir. Ancak elektrikli el aleti başka uygulamalar için, farklı eklenti parçalarıyla ya da yetersiz bakım koşullarında kullanılırsa, titreşim seviyesi farklılık gösterebilir. Bu durumda, titreşim yükü toplam çalışma zaman aralığı içerisinde belirgin ölçüde yükselebilir.

Titreşim yükünün tam bir değerlendirmesi için ayrıca cihazın kapalı olduğu süreler ve cihazın çalışır durumda olduğu, ancak gerçek kullanımda bulunmadığı süreler de dikkate alınmalıdır. Böylelikle, toplam çalışma zamanı aralığı boyunca meydana gelen titreşim yükü belirgin ölçüde azaltılabilir.

Kullanıcıyı titreşimlerin etkisinden korumak üzere, örneğin elektrikli el aletlerinin ve eklenti parçalarının bakımı, ellerin sıcak tutulması ve iş akışlarının organizasyonu gibi ek güvenlik tedbirleri belirleyiniz.

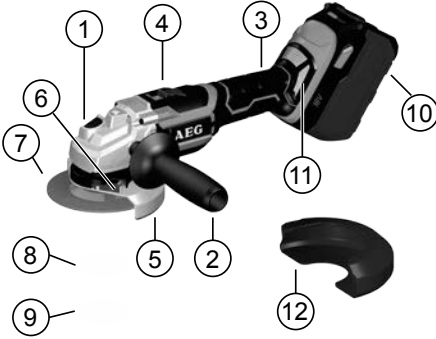
### ⚠ UYARI!

**Güvenlikle ilgili bütün açıklamaları.** Açıklanan uyarılara ve talimat hükümlerine uyulmadığı takdirde elektrik çarpmalarına, yangınlara ve/veya ağır yaralanmalara neden olunabilir.

**Bütün uyarıları ve talimat hükümlerini ileride kullanmak üzere saklayın.**

Türkçe





### Cihazın tanımı

- |  |                              |
|--|------------------------------|
| ① Mil kilidi   | ⑦ Aksesuar                   |
| ② Ek el kulpu / AVS Ek el kulpu İzolasyonlu tutma yüzeyi | ⑧ Flaş                       |
| ③ Tutamak İzolasyonlu tutma yüzeyi                       | ⑨ Flaş somunu / FIXTEC somun |
| ④ Açma-Kapama Düğmesi                                    | ⑩ Akü                        |
| ⑤ Bileme muhafazası                                      | ⑪ Toz ekranı                 |
| ⑥ Muhafaza kilidi kolu                                   | ⑫ Kesme muhafazası           |

### ⚠️ AÇILI TAŞLAYICI İÇİN GÜVENLİK UYARILARI

**Taşıma, kumlu zımpara kağıdı ile zımparalama, tel fırça ile taşıma, polisaj ve kesici taşıma işleri için müşterek uyarılar:**

**a) Bu elektrikli el aleti taşıma, kumlu zımpara kağıdı ile zımparalama kesici taşıma olarak kullanılmak üzere geliştirilmiştir.. Elektrikli el aleti ile birlikte teslim edilen bütün uyarılara, talimata, şekillere ve verilere uyun hareket edin.** Aşağıdaki talimat hükümlerine uymadığınız takdirde elektrik çarpması, yangın veya ağır yaralanma tehlikesi ile karşılaşabilirsiniz.

**b) Bu elektrikli el aleti polisaj yapmaya uygun değildir.** Elektrikli alet için öngörülmemeyen kullanımlar risklere ve yaralanmalara sebebiyet verebilir.

**c) Üretici tarafından özel olarak bu alet öngörülmemeyen ve tavsiye edilmeyen aksesuar kullanmayın.** Bir aksesuarı elektrikli el aletinize takabiliyor olmanız güvenli kullanımı garanti etmez.

**d) Kullanılan takımın izin verilen devri, en az elektrikli cihaz üzerinde yazılı azami devir kadar yüksek olmalıdır.** İzin verilen daha hızlı dönen aksesuar kırılabilir ve etrafa fırlayabilir.

**e) Kullanılan ucun dış çapı ve kalınlığı elektrikli el aletinizin ölçülerine uymalıdır.** Ölçüsü uygun olmayan uçlar yeterli derecede kapatılmaz veya kontrol edilemez.

**f) Aksesuar parçalarının dişlileri taşıma milinin dişlilerine uygun olmalıdır. Flaşlanması gereken aksesuar parçalarında, aksesuar parçası içindeki germe sapının deliği, tespit etme flaşının çapına uygun olmalıdır.** Cihazın montaj sapı üzerine sığmayan aksesuar parçaları, eksantrik hareket

eder, aşırı titreşir ve alet üzerindeki hakimiyetin kaybedilmesine neden olabilirler.

**g) Hasarlı uçları kullanmayın. Her kullanımdan önce taşıma disklerinde çatlak ve çizik olup olmadığını, zımpara tablalarında çizik ve aşınma olup olmadığını, tel fırçalarda gevşeme veya kırık teller olup olmadığını kontrol edin. Elektrikli el aleti veya uç yere düşecek olursa hasar görüp görmediklerini kontrol edin, gerekiyorsa hasar görmemiş başka bir uç kullanın. Kullanacağınız ucu kontrol edip taktıktan sonra ucun dönme alanı yakınında bulunan kişileri uzaklaştırın ve elektrikli el aletini bir dakika en yüksek devir sayısında çalıştırın. Hasarlı uçlar çoğu zaman bu test süresinde kırılır.**

**h) Kişisel koruyucu donanım kullanın. Yaptığınız işe göre tam yüz siperliği, göz koruma donanımı veya koruyucu gözlük kullanın. Eğer uygunsuz küçük taşıma ve malzeme parçacıklarına karşı koruma sağlayan toz maskesi, koruyucu kulaklık, koruyucu iş eldivenleri veya özel iş önlüğü kullanın.** Gözler çeşitli uygulamalarda etrafa savrulan parçacıklardan korunmalıdır. Toz veya solunma maskesi çalışma sırasında ortaya çıkan tozları filtre eder. Uzun süre yüksek gürültü altında çalışırsanız işitme kaybına uğrayabilirsiniz.

**i) Başkalarının çalıştığı yerden güvenli uzaklıkta olmasına dikkat edin. Çalışma alanınıza girmek zorunda olan herkes koruyucu donanım kullanılmalıdır.** İş parçasının veya ucun kırılması sonucu ortaya çıkan parçacıklar etrafa savrularak çalışma alanınızın dışındaki kişileri de yaralayabilir.

**j) Kesme aletinin eğrilmiş elektrik kabloları isabet eden çalışmalar yapılırken cihazı izole edilmiş kablolarından tutun.** Kesme aletinin içinden elektrik akımı geçen kablo ile temas etmesi durumunda elektrik akımı cihazın metal kısımlarına geçer ve elektrik çarpmasına sebebiyet verebilir.

**k) Takım tamamen durmadan elektrikli cihazı asla yere koymayınız.** Dönmekte olan uç aleti bırakacağız yüzeye temas edebilir ve elektrikli el aletinin kontrolünü kaybedebilirsiniz.

**l) Elektrikli el aletini çalışır durumda taşımayın.** Giysileriniz rastlantı sonucu dönmekte olan uç tarafından tutulabilir ve uç bedeninize temas edebilir.

**m) Elektrikli el aletinizin havalandırma deliklerini düzenli olarak temizleyin.** Motor fanı tozu gövdeye çeker ve metal tozunun aşırı birikimi elektrik çarpması tehlikesini ortaya çıkarır.

**n) Elektrikli el aletini yanıcı malzemenin yakınında kullanmayın.** Kıvılcıklar bu malzemeyi tutuşturabilir.

**o) Sıvı soğutucu madde gerektiren uçları kullanmayın.** Suyun veya diğer sıvı soğutucu maddenin kullanımı elektrik çarpmasına neden olabilir.

### Geri tepme ve buna ait uyarılar

Geri tepme, dönmekte olan taşıma diski, zımpara tablası, tel fırça ve benzeri uçların takılması veya bloke olması sonucu ortaya çıkan ani tepkidir. Takılma ve blokaj dönmekte olan ucun ani olarak durmasına neden olur. Bu gibi durumlarda elektrikli el aleti blokaj yerinden ucun dönme yönünün tersine doğru savrulur.

Örneğin bir taşıma diski iş parçası içinde takılır veya bloke olursa, taşıma diskinin içine giren kenarı tutulur ve disk kırılır veya geri tepme kuvvetinin ortaya çıkmasına neden olur. Bu durumda taşıma diski blokaj yerinden, diskin dönme yönüne bağlı olarak kullanıcıya doğru veya kullanıcının tersine hareket eder. Bu gibi durumlarda taşıma disklerinin kırılma olasılığı da vardır.

Geri tepme kuvveti elektrikli el aletinin yanlış veya hatalı kullanımı sonucu ortaya çıkar. Geri tepme kuvvetleri aşağıda açıklanan koruyucu önlemlerle önlenebilir.



a) Elektrikli el aletini sıkıca tutun ve bedeniniz ile ellerinizi geri tepme kuvvetlerini rahatça karşılayabilecek duruma getirin. Alet hızlanırken ortaya çıkabilecek geri tepme kuvvetlerini veya reaksiyon momentlerini optimal ölçüde karşılayabilmek için eğer varsa her zaman ek tutamağı kullanın. Kullanıcı uygun önlemler olarak geri tepme ve reaksiyon kuvvetlerine hakim olabilir.

b) Elinizi hiçbir zaman dönen ucun yakınına getirmeyin. Uç geri tepme sırasında elinize doğru hareket edebilir.

c) Bedeninizi geri tepme sırasında elektrikli el aletinin hareket edebileceği alandan uzak tutun. Geri tepme kuvveti elektrikli el aletini blokaj yerinden taşlama diskinin dönme yönünün tersine doğru iter.

d) Özellikle köşeleri, keskin kenarları ve benzerlerini işlerken dikkatli olun. Uçun iş parçasından dışarı çıkmasını ve takılıp sıkışmasını önleyin. Dönmekte olan uç köşelerde, keskin kenarlarda çalışırken sıkışmaya eğilimlidir. Bu ise kontrol kaybına veya geri tepmeye neden olur.

e) Zincirli veya diğli testere bıçakları kullanmayınız. Bu gibi takımlar sıklıkla geri tepmeye veya elektrikli cihaz üzerindeki kontrolün kaybedilmesine neden olur.

### Taşlama ve kesici taşlama için özel uyarılar

a) Sadece elektrikli el aletinin için müsaade edilen taşlama uçlarını ve bu uçlar için öngörülen koruyucu kapağı kullanın. Bu elektrikli el aleti için öngörülmemiş taşlama uçları yeterli ölçüde kapatılmazlar ve güvenli değildirler.

b) Bombeli taşlama diskleri, taşlama yüzeyi koruyucu kapak kenarı seviyesini aşmamacak şekilde monte edilmelidir. Usulüne uygun monte edilmeyen ve koruyucu kapak kenarı seviyesini aşan bir taşlama diski yeteri kadar izole edilemez.

c) Daima taşlama ucunun türüne uygun koruyucu kapak kullanın. Koruyucu kapak elektrikli el aletine güvenli biçimde takılmış olmalı ve en yüksek güvenliği sağlayacak biçimde ayarlanmış olmalıdır. Taşlama ucunun mümkün olan en küçük kısmı açıkta kalmalı ve kullanıcıyı göstermelidir. Koruyucu kapağını işlevi kullanıcıyı kırılan parçacıklardan ve taşlama ucu ile tesadüf temastan korumaktır.

d) Taşlama uçları sadece tavsiye edilen uygulamalarda kullanılabilir. Örneğin: Bir kesme diskinin kenarı ile hiçbir zaman taşlama yapmayın. Kesici taşlama diskleri uçları ile malzeme kazınma için geliştirilmiştir. Bu uçlara yandan baskı uygulandığında kırılabilirler.

e) Seçtiğiniz taşlama diski için daima hasar görmemiş doğru büyüklük ve biçimde germe flanşı kullanın. Uygun flanşlar taşlama disklerini destekler ve kırılma tehlikesini önlerler. Kesici taşlama diskleri için öngörülen flanşlar diğer uçlara ait flanşlardan farklı olabilir.

f) Büyük elektrikli el aletlerini ait yıpranmış taşlama disklerini kullanmayın. Büyük elektrikli el aletlerinde kullanılan taşlama diskleri yüksek devirli küçük el aletlerinde kullanılmaya elverişli değildirler ve kırılabilirler.

### Kesici taşlama için diğer özel uyarılar

a) Kesici taşlama diskinin bloke olmasını sağlayın veya bu diske yüksek bastırma kuvveti uygulamayın. Aşırı derinlikte kesme yapmayın. Kesici taşlama ucuna aşırı yüklenme açıldırma yapılmasına veya blokaja neden olabilir ve bunun sonunda da geri tepme kuvveti oluşabilir veya taşlama ucu kırılabilir.

b) Dönmekte olan kesici taşlama diskinin ön ve arka alanına yaklaşmayın. Kesici taşlama diskinin iş parçasından dışarı çıkarırsanız bir geri tepme kuvveti oluştuğunda dönen disk size doğru savrulabilir.

c) Kesici taşlama diski sıkışacak olursa veya iş size ara verirse elektrikli el aletini kapatın ve disk tam olarak duruncaya kadar aleti sakın biçimde tutun. Dönmekte olan kesici taşlama diskinin hiçbir zaman kesme yerinden çıkarmayı denemeyin, aksi takdirde geri tepme kuvveti oluşabilir. Sıkışmanın nedenini tespit edin ve giderin.

d) Elektrikli el aleti iş parçası içinde bulunduğu sürece onu tekrar çalıştırmayın. Kesme işine dikkatli biçimde devam etmeden önce kesme diskinin en yüksek devire ulaşmasını bekleyin. Aksi takdirde disk takılabilir, iş parçasından çıkabilir veya bir geri tepme kuvveti oluşabilir.

e) Kesici taşlama diskinin sıkışması sonucu oluşabilecek geri tepme kuvvetlerini önlemek için büyük levha veya iş parçalarını destekleyin. Büyük iş parçaları kendi ağırlıkları ile bükülebilir. Büyük iş parçaları iki yandan desteklenmelidir, hem kesme hattının yakınından hem de kenardan.

f) Mevcut bulunan duvarlardaki „Cep kesitlerinde“ veya diğer görünmeyen sahalarda özellikle dikkatli olunuz. Malzeme içine dalan kesici taşlama disklere kesme işlemi sırasında gaz veya su borularına, elektrik kablolarına veya diğer nesnelere rastlayarak geri tepme kuvveti oluşturabilirler.

### Zımpara kağıtları ile çalışmaya ait özel uyarılar:

a) Boyutları yüksek zımpara kağıtlarını kullanmayın, zımpara kağıtları için üreticinin verilerine uyun. Zımpara tablasından dışarı çıkıntı yapan zımpara kağıtları yaralanmalara neden olabilirler, blokaja neden olabilirler, yırtılabilirler veya geri tepme kuvvetlerinin oluşmasına neden olabilirler.

### Tel fırça ile çalışmaya ait özel uyarılar:

a) Tel fırçaların bilindiği şekli ile tel parçalarının kullanımı esasında varyasyon yaptığını dikkate alınız. Fazla bir baskı ile tellere fazla yüklenmeyiniz. Uçuşan tel parçaları hafif ince elbisenin içine girebilir ve/veya cilde nüfuz eder.

b) Koruyucu kapak kullanırken koruyucu kapakla tel fırçanın birbirine temas etmesini önleyin. Tabla veya çanak biçimli fırçalara bastırma ve merkezkaç kuvvetleri nedeniyle çaplarını büyütebilir.

### Ek güvenlik ve çalışma talimatları

Aleti devreye almadan önce mutlaka mil kilidi düğmesinin tamamen açık olduğunu doğrulayın! Mil kilidini aşındırıcı diski sıkıştırmak / gevşetmek için kullandıktan sonra, düğmenin kilidli konumda kalmış olması mümkündür. Bu sırada alet ya da pil korumanın devreye girmesine ve cihaza güç gitmesine engellemesine neden olabilir. Anahtar kapalı konuma getirin, pili çıkarın, ardından da mil kilidi düğmesinin kurtulması için diski dikkatle ileri geri hareket ettirin.

Not: Pil korumanın da etkinleşmiş olması durumunda, pil paketini cihazdan çıkarıp yeniden yerine yerleştirerek korumayı sıfırlayın.

Taşlama işlemi sırasında ortaya çıkan kıvılcıklara dikkat edin, yanıcı malzemeler tutuşabilir.

Uçuşan kıvılcıkların ve taşlama tozunun vücudunuza çarpmasından sakının.

Aletin tehlikeli olabilecek bölümlerini tutmayın.

Alet çalışır durumda iken talaş ve kırıntıları temizlemeye çalışmayın.

Hissedilir ölçüde titreşim oluşmaya başlarsa veya normal olmayan başka aksaklıklar ortaya çıkarsa aleti hemen kapatın. Bu aksaklıkların nedenini belirlemek için aleti kontrol edin.

Aşırı kullanım koşullarında (örneğin destek levhali metallerin ve volkan ateşli taşlama levhalarının düz olarak taşlanması) açılı taşlamasının iç kısmında kuvvetli bir kirlenme oluşabilir.

Kısa devre tehlikesi ortaya çıkacağından metal parçaların havalandırma aralıklarına girmemesi gerekir.

**UYARI!** Bir kısa devreden kaynaklanan yangın, yaralanma veya ürün hasarları tehlikesini önlemek için aleti, güç paketini veya şarj cihazını asla sıvıların içine daldırmayınız ve cihazların ve pillerin içine sıvı girmesini önleyiniz. Tuzlu su, belirli kimyasallar, ağartıcı madde veya ağartıcı madde içeren ürünler gibi korozif veya iletken sıvılar kısa devreye neden olabilir.

Kartuş aküleri ve şarj cihazını açmayın ve sadece kuru yerlerde saklayın. Neme ve ıslanmaya karşı koruyun.

C18 sistemli kartuş aküleri sadece GBS sistemli şarj cihazları ile şarj edin. Başka sistemli aküleri şarj etmeyin.

## KALAN TEHLİKELER

Açılı taşlayıcı tarif edildiği gibi kullanıldığında bile, bazı kalıntı risk faktörlerini tamamen ortadan kaldırmak imkansızdır. Aşağıdaki tehlikeler ortaya çıkabilir ve operatör bunlardan kaçınmak için özel dikkat göstermelidir:

### Fırlayan parçacıkların neden olduğu yaralanma.

Metal ya da aşındırıcı parçacıklar gözlere girip ciddi ve kalıcı hasar verebilir.

Ürünü her kullandığınızda taşlama için onaylı emniyet gözlüğü kullanın.

### Titreşimin sebep olduğu yaralanma.

Maruz kalma süresini sınırlayın. Titreşim için UYARI bölümüne bakın!

### Tozun neden olduğu yaralanma.

İşlenen malzemeden kaynaklanacak parçacıklara ve taşlama diskinden fırlayacak aşındırıcı parçacıklara karşı koruma sağlamaya uygun, filtrelili toz maskesi kullanın.

Çalışma alanında yemek yemeyin, içecek veya sigara içmeyin. Uygun havalandırma sağlayın.

### Taşlama diskiyle temasın neden olduğu yaralanma.

İşlenen parça ve disk kullanım sırasında ısınır. Diskleri değiştirir ya da işlenen parçaya dokunurken eldiven giyin. Ellerinizi her zaman taşlama alanından uzak tutun.

Mümkünse, işlenecek parçayı sabitleyin.

### Gürültünün neden olduğu yaralanma.

Gürültüye uzun süre maruz kalma işitme hasarı riskini artırır ve bu hasarın etkileri birikerek çoğalır. Elektrikli aletlerle uzun süre çalışırken, kulak tıkacı kullanın.

Bir aletin uzun süre kullanılması yaralanmalara veya yaraların ağırlaşmasına neden olabilir. Herhangi bir aleti uzun süre kullanırken, düzenli mola verdiğinizden emin olun.

## KULLANIM

Açılı taşlayıcı metal, taş, beton ve seramik malzemeyi taşlayıp kesmenin yanı sıra kumlama ve telle fırçalamaya için geliştirilmiştir.

Kesme uygulaması için aksesuarlar dizisinden kesme başlığını kullanın.

örneğin metal veya taş ve plastik taşlamatabağı ile taşlama ve çelik tel fırça ile çalışırken.

Bu elektrikli alet sadece susuz çalışmak için uygundur.

Açılı taşlayıcıya sadece bu klavuzun ürünün teknik özellikleri bölümünde tanımlanan uygun taşlama veya kesme diskleriyle ilgili korkuluklar (taşlama korkuluğu ve kesme korkuluğu) takılmalıdır.

Açılı taşlayıcı elde taşınarak kullanılmak için geliştirilmiş olup sabit bir aksam ya da tezgaha monte edilmez.

Aleti belirtilen kullanım amaçları dışında herhangi bir başka amaç için kullanmayın.

## ÇALIŞMA AÇIKLAMALARI

Klavuz delikli teker takılacak olan aletlerde, tekerdeki klavuzun mil uzunluğunu kabul edecek kadar uzun olmasına dikkat edin.

Kesme ve taşlama disklerini daima üreticinin talimatına uygun olarak kullanın ve saklayın.

Kaba taşlama ve kesme işleri sırasında daima koruyucu kapağı kullanın.

Bombeli taşlama diskleri, taşlama yüzeyi koruyucu kapak kenarı seviyesini aşmayacak şekilde monte edilmelidir.

Flaşlı somunu aleti işletmeye almadan önce iyice sıkın.

Daima ilave sapı kullanın.

Kendi ağırlığı ile güvenli biçimde durmuyorsa iş parçasının uygun bir tertibatla sıkıca tespit edilmesi gerekir. İş parçasını hiçbir zaman elinizle diske doğru tutmayın.

## AKÜ

50°C üzerindeki sıcaklıklar kartuş akünün performansını düşürür. Akünün güneş ışığı veya mekân sıcaklığı altında uzun süre ısınmamasına dikkat edin.

Şarj cihazı ve kartuş aküdeki bağlantı kontaklarını temiz tutun.

Akünün ömrünün mükemmel bir şekilde uzun olması için kullandıktan sonra tamamen doldurulması gerekir. Uzun süre kullanım dışı kalmış kartuş aküleri kullanmadan önce şarj edin.

Ömrünün mümkün olduğu kadar uzun olması için akülerin yüklemeye yapıldıktan sonra doldurma cihazından uzaklaştırılması gerekir.

Akünün 30 günden daha fazla depolanması halinde, Aküyü takriben 27°C'de kuru olarak depolayın., Aküyü yüklemeye durumunun takriben % 30 - %50 olarak depolayın., Aküyü her 6 ay yeniden doldurun.

Kullanılmış kartuş aküleri ateşe veya ev çöplerine atmayın.

AEG, kartuş akülerin çevreye zarar vermeyecek biçimde tasfiye edilmesine olanak sağlama hizmet sunar; lütfen bu konuda yetkili satıcınızdan bilgi alın.

Kartuş aküleri metal parça veya eşyalarla birlikte saklamayın (kısa devre tehlikesi).

## AKÜNÜN AŞIRI YÜKLENMEYE KARŞI KORUNMASI

Aşırı yüksek akım tüketiminden dolayı, örn. aşırı yüksek devirler, başlığın sıkışması, aniden durma veya kısa devreden dolayı bataryaya aşırı yüklenmesi halinde elektrikli alet 2 saniye süreyle durmakta ve kendiliğinden kapanmaktadır. Sıfırlamak için pil paketini aletten çıkarıp yeniden takın.

Akü aşırı yüklenmeden dolayı fazla ısınır. Bu durumda kü soğuyana kadar yüklemeye göstergesinin bütün lambaları yanıp söner. Gösterge lambalarının sönmelerinden sonra tekrar çalışmaya devam edilebilir. Aküyü tekrar doldurmak ve aktif hale getirmek amacı ile şarja bağlayın.

## LITYUM İYON PİLLERİN TAŞINMASI

Lityum iyon piller tehlikeli madde taşımacılığı hakkındaki yasal hükümler tabidir.

Bu piller, bölgesel, ulusal ve uluslararası yönetmeliklere ve hükümlere uyularak taşınmak zorundadır.

Tüketiciler bu pilleri herhangi bir özel şartnamasızın karayoluyla taşıyabilirler.



Tür

Lityum iyon pillerin nakliye şirketleri tarafından ticari taşımacılığı için tehlikeli madde taşımacılığının hükümleri geçerlidir. Sevk hazırlığı ve taşıma sadece ilgili eğitimi görmüş personel tarafından gerçekleştirilebilir. Bütün süreç uzmanca bir refakatçilik altında gerçekleştirilmek zorundadır.

Pillerin taşınması sırasında aşağıdaki hususlara dikkat edilmesi gerekmektedir:

Kısa devre oluşmasını önlemek için kontakların korunmuş ve izole edilmiş olmasını sağlayınız. Pil paketinin ambalajı içinde kaymamasına dikkat ediniz. Hasarlı veya akmış pillerin taşınması yasaktır. Ayrıca bilgiler için nakliye şirketinize başvurunuz.

### TEKRAR ÇALIŞTIRMADA KORUMA

Sıfır potansiyel şalteri elektrik kesintisinden sonra (pilin değiştirilmesi) makinenin tekrar çalışmaya başlamasını önlemektedir.

Tekrar çalışırken makineyi kapatın ve tekrar açarak çalıştırın.

### YUMUŞAK İLK

Güvenli kullanım sağlayan elektronik yumuşak ilk hareket; alet çalıştırıldığında gere tepmeleri önler.

### BAKIM

Aletin kendinde bir çalışma yapmadan önce kartuş aküyü çıkarın.

Aletin havalandırma aralıklarını daima temiz tutun.

Sadece AEG aksesuarını ve yedek parçalarını kullanın. Değiştirilmesi açıklanmamış olan parçaları bir AEG müşteri servisinde değiştirin (Garanti broşürüne ve müşteri servisi adreslerine dikkat edin).

Gerektiği takdirde aletin dağınk görünüş şeması, alet tipinin ve tip etiketi üzerindeki sayının bildirilmesi koşuluyla müşteri servisinden veya doğrudan Techtronic Industries GmbH, Max-Eyth-Straße 10, 71364 Winnenden, Germany adresinden istenebilir.

### CE UYGUNLUK BEYANI

"Teknik veriler" başlığı altında tanımlanan ürünün, sayılı direktiflerdeki tüm hükümleri

2011/65/EU (RoHS)

2006/42/EC

2014/30/EU

uyumlaştırılmış standartları

EN 60745-1:2009 + A11:2010

EN 60745-2-3:2011 + A2:2013 + A11:2014 + A12:2014 +A13:2015

EN 55014-1:2017

EN 55014-2:2015

EN 50581:2012



Winnenden, 2018-08-16

*Alexander Krug*

Alexander Krug / Managing Director

Teknik evrakları hazırlamakla görevlendirilmiştir.

Techtronic Industries GmbH

Max-Eyth-Straße 10, 71364 Winnenden, Germany

### SEMBOLLER



DİKKAT! UYARI! TEHLİKE!



Lütfen aleti çalıştırmadan önce kullanma kılavuzunu dikkatli biçimde okuyun.



Aletle çalışırken daima koruyucu gözlük kullanın.



Koruyucu eldivenlerinizi takınız!



Aletin kendinde bir çalışma yapmadan önce kartuş aküyü çıkarın.



Titreşim azaltıcı sistem



Güç kullanmayın.



Sadece kesme işleri için.



Sadece taşlama işleri için.



Start ve hızlanma sırasında mil kilidi düğmesine basmayın.



Aksesuar - Teslimat kapsamında değildir, önerilen tamamlamalar aksesuar programında.



Yedek Parça - Standart ekipmanın parçası değildir, yedek parça olarak mevcuttur.



Elektrikli cihazların, pillerin/akülerin evsel atıklarla birlikte bertaraf edilmesi yasaktır. Elektrikli cihazlar ve aküler ayrılarak biriktirilmeli ve çevreye zarar vermeden bertaraf edilmeleri için bir atık değerlendirme tesisine götürülmelidirler. Yerel makamlara veya satıcınıza geri dönüşüm tesisleri ve atık toplama merkezlerinin yerlerini danışınız.



Doğru akım



Voltaj



Devir sayısı



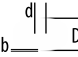
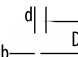



Avrupa uyumluluk işareti



Ukrayna uyumluluk işareti



Avrasya uyumluluk işareti

TECHNICKÁ DATA Aku úhlová bruska	BEWS18-115BL	BEWS18-125BL
Výrobní číslo	4693 80 01 ... 4690 25 01 ... ... 000001-999999	4693 85 01 ... 4690 40 01 ... ... 000001-999999
Napětí výměnného akumulátoru	18 V	18 V
Jmenovité otáčky	11000 min <sup>-1</sup>	11000 min <sup>-1</sup>
D= Průměr brusného kotouče max. d= ø otvoru  b= Tloušťka rozbrušovacího kotouče min. / max.  b= Tloušťka brusného kotouče max. 	115 mm 22,2 mm 1/3 mm	125 mm 22,2 mm 1/3 mm
 D= brusné plochy-ø max.	115 mm	125 mm
 D= miskovité kartáče-ø max.	75 mm	75 mm
Závít vřetene	M 14	M 14
Hmotnost podle prováděcího předpisu EPTA 01/2014 (Li-Ion 1,5 Ah...9,0 Ah)	2,4 kg ... 3,1 kg	2,4 kg ... 3,1 kg
Doporučená teplota okolí pro provoz	-18°C ... +50°C	-18°C ... +50°C
Doporučené akupaky	L18...	L18...
Doporučené nabíječky	AL1218... / BL 1218...	AL1218... / BL 1218...
<b>Informace o hluku</b>		
Naměřené hodnoty odpovídají EN 60745. V třídě A posuzovaná hladina hluku přístroje činí typicky:		
Hladina akustického tlaku (Kolísavost K=3dB(A))	83dB(A)	83dB(A)
Hladina akustického výkonu (Kolísavost K=3dB(A))	84dB(A)	84dB(A)
<b>Používejte chrániče sluchu !</b>		
<b>Informace o vibracích</b>		
Celkové hodnoty vibrací (vektorový součet tří směrů) zjištěnéve smyslu EN 60745.		
Broušení povrchů (Li-Ion 1,5 Ah): Hodnota vibračních emisí a <sub>h,AG</sub> Kolísavost K=	9,4m/s <sup>2</sup> 1,5 m/s <sup>2</sup>	9,4m/s <sup>2</sup> 1,5 m/s <sup>2</sup>
Broušení pomocí brusného listu (Li-Ion 1,5 Ah): Hodnota vibračních emisí a <sub>h,DS</sub> Kolísavost K=	5,7m/s <sup>2</sup> 1,5 m/s <sup>2</sup>	5,7m/s <sup>2</sup> 1,5 m/s <sup>2</sup>

U jiných aplikací, např. při rozbrušování nebo broušení ocelovým drátěným kartáčem mohou vznikat vibrace jiných hodnot!

### VAROVÁNÍ pro Vibrace!

Úroveň chvění uvedená v tomto návodu byla naměřena podle metody měření stanovené normou EN 60745 a může být použita pro porovnání elektrického nářadí. Hodí se také pro průběžný odhad zatížení chvěním.

Uvedená úroveň chvění představuje hlavní účely použití elektrického nářadí. Jestliže se ale elektrické nářadí používá pro jiné účely, s odlišnými nástroji nebo s nedostatečnou údržbou, může se úroveň chvění odlišovat. To může značně zvýšit zatížení chvěním během celé pracovní doby.

Pro přesný odhad zatížení chvěním se musí také zohlednit časy, během kterých je přístroj vypnutý nebo kdy je sice v chodu, ale skutečně se s ním nepracuje. To může zatížení chvěním během celé pracovní doby značně snížit.

Stanovte doplňková bezpečnostní opatření pro ochranu obsluhy před účinky chvění jako například: technická údržba elektrického nářadí a nástrojů, udržování teploty rukou, organizace pracovních procesů.

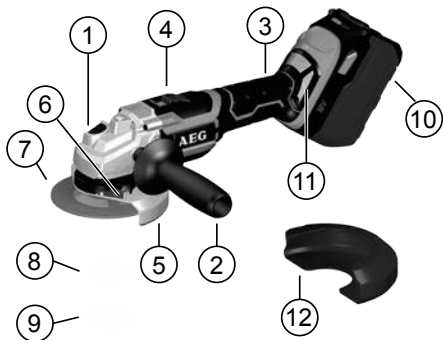
### VAROVÁNÍ!

**Seznamte se se všemi bezpečnostními pokyny a sice i s pokyny.** Zanedbání při dodržování varovných upozornění a pokynů mohou mít za následek úder elektrickým proudem, požár a ebo těžká poranění.

**Všechna varovná upozornění a pokyny do budoucna uschovejte.**



Čes



### Popis zařízení

- |  |                                      |
|--|--------------------------------------|
| 1 Zámek vřetena  | 6 Nastavovací páka ochrany           |
| 2 Přídavná rukojeť / AVS<br>Přídavná rukojeť<br>Izolovaná uchopovací<br>plocha | 7 Příslušenství                      |
| 3 Rukojeť Izolovaná uchopovací<br>plocha                                       | 8 Příruba                            |
| 4 Spínač Zap-Vyp   | 9 Přírubová matice /Matice<br>FIXTEC |
| 5 Ochrana proti broušení   | 10 Akumulátory                       |
|  | 11 Ochranný štít proti prachu        |
|  | 12 Ochrana proti řezání              |

### BEZPEČNOSTNÍ POKYNY PRO ÚHLOVÉ BRUSKY

**Společná varovná upozornění k broušení, smirkování, práci s drátěnými kartáči, leštění a dělení:**

- Toto elektronářadí se používá jako bruska, bruska brusným papírem, kartáčovačka, dělicí bruska.. Dbejte všech varovných upozornění, pokynů, zobrazení a údajů, jež jste elektronářadím obdrželi.** Pokud následující pokyny nedodržíte, může to vést k úderu elektrickým proudem, požáru nebo těžkým poraněním.
- Toto elektronářadí není vhodné k leštění.** Použití tohoto elektrického nářadí k jiným než určeným účelům může vést k ohrožení zdraví a ke zranění.
- Nepoužívejte žádné příslušenství, které není výrobcem speciálně pro toto elektronářadí určeno a doporučeno.** Pouze to, že můžete příslušenství na Vaše elektronářadí upevnit, nezaručuje bezpečné použití.
- Přípustný počet otáček vkládaného nástroje musí být minimálně stejně vysoký jako maximální počet otáček uvedený na elektrickém nářadí.** Příslušenství, které se točí rychleji, než je přípustné, se může rozbit a rozletět do okolí.
- Vnější rozměr a tloušťka nasazovacího nástroje musí odpovídat rozměrovým údajům Vašeho elektronářadí.** Špatně dimenzované nasazovací nástroje nemohou být dostatečně stíněny nebo kontrolovány.
- Řavění dílů příslušenství se musí shodovat se závitem vřetena brusného kotouče. U částí příslušenství, které se mají připojit pomocí příruby, se musí sjednotit otvor pro upínací trn na dílu příslušenství s průměrem lokalizační příruby.** Díly příslušenství, které se nehodí na montážní trn přístroje, běží excentricky, velmi silně vibrují a mohou vést ke ztrátě kontroly nad nářadím.

**g) Nepoužívejte žádné poškozené nasazovací nástroje.** Zkontrolujte před každým použitím nasazovací nástroje jako brusné kotouče na odštěpky a trhliny, brusné talíře na trhliny, ořer nebo silné opotřebení, drátěné kartáče na uvolněné nebo zlomené dráty. Spadne-li elektronářadí nebo nasazovací nástroj z výšky, zkontrolujte zda není poškozený nebo použijte nepoškozený nasazovací nástroj. Pokud jste nasazovací nástroj zkontrolovali a nasadili, držte se Vy a v blízkosti nacházející se osoby mimo rovinu rotujícího nasazovacího nástroje a nechte stroj běžet jednu minutu s nejvyššími otáčkami. Poškozené nasazovací nástroje většinou v této době testování prasknou.

**h) Noste osobní ochranné vybavení. Podle aplikace použijte ochranu celého obličeje, ochranu očí nebo ochranné brýle. Taktéž adekvátně noste ochrannou masku proti prachu, ochranu sluchu, ochranné rukavice nebo speciální zástěru, jež Vás ochrání před malými částicemi brusiva a materiálu. Oči mají být chráněny před odletujícími cizími tělísky, jež vznikají při různých aplikacích. Protiprachová maska či respirátor musejí při používání vnikající prach odfiltrovat. Pokud jste dlouho vystaveni silnému hluku, můžete utrpět ztrátu sluchu.**

**i) Dbejte u ostatních osob na bezpečnou vzdálenost k Vaší pracovní oblasti. Každý, kdo vstoupí do této pracovní oblasti, musí nosit osobní ochranné vybavení.** Úlomky obrobku nebo uolomených nasazovacích nástrojů mohou odletnout a způsobit poranění i mimo přímou pracovní oblast.

**j) Při provádění prací, při kterých nástroj může narazit na skryta elektrická vedení, držte přístroj za izolovanou přidržovací plošky.** Kontakt řezného nástroje s vedením pod napětím může vést k přenosu napětí na kovové části přístroje a k úrazu elektrickým proudem.

**k) Elektrické nářadí nesmíte nikdy odložit dříve, než se vložený nástroj zcela zastaví.** Otáčející se nasazovací nástroj se může dostat do kontaktu s odkládací plochou, čímž můžete ztratit kontrolu nad elektronářadím.

**l) Nenechte elektronářadí běžet po dobu, co jej nesete.** Vaš oděv může být náhodným kontaktem s otáčejícím se nasazovacím nástrojem zachycen a nasazovací nástroj se může zavrtat do Vašeho těla.

**m) Čistěte pravidelně větrací otvory Vašeho elektronářadí.** Ventilátor motoru vtahuje do tělesa prach a silně nahromadění kovového prachu může způsobit elektrická rizika.

**n) Nepoužívejte elektronářadí v blízkosti hořlavých materiálů.** Jiskry mohou tyto materiály zapálit.

**o) Nepoužívejte žádné nasazovací nástroje, které vyžadují kapalné chladicí prostředky.** Použití vody nebo jiných kapalných chladících prostředků může vést k úderu elektrickým proudem.

### Zpětný ráz a odpovídající varovná upozornění

Zpětný ráz je náhlá reakce v důsledku zaseknutého nebo zablokovaného otáčejícího se nasazovacího nástroje, jako je brusný kotouč, brusný talíř, drátěný kartáč atd. Zaseknutí nebo zablokování vede k náhlému zastavení rotujícího nasazovacího nástroje. Tím nekontrolované elektronářadí akceleruje v místě zablokování proti směru otáčení nasazovacího nástroje.

Pokud se např. zpříčí nebo zablokuje brusný kotouč v obrobku, může se hrana brusného kotouče, která se zanoruje do obrobku, zakousnout a tím brusný kotouč vylomit nebo způsobit zpětný ráz. Brusný kotouč se potom pohybuje k nebo od obsluhující osoby, podle směru otáčení kotouče na místě zablokování. Při tom mohou brusné kotouče i prasknout.

Zpětný ráz je důsledek nesprávného nebo chybného použití elektronářadí. Lze mu zabránit vhodnými preventivními opatřeními, jak je následně popsáno.

**a) Držte elektronářadí dobře pevně a uveďte Vaše tělo a paže do polohy, ve které můžete zachytit síly zpětného rázu. Je-li k dispozici, použijte vždy přidavnou rukojeť, abyste měli co největší možnou kontrolu nad silami zpětného rázu nebo reakčních momentů při rozběhu.** Obsluhující osoba může vhodnými preventivními opatřeními zvládnout síly zpětného rázu a reakčního momentu.

**b) Nikdy nedávejte Vaši ruku do blízkosti otáčejících se nasazovacích nástrojů.** Nasazovací nástroj se při zpětném rázu může pohybovat přes Vaši ruku.

**c) Vyhybajte se Vaším tělem oblasti, kam se bude elektronářadí při zpětném rázu pohybovat.** Zpětný ráz vhání elektronářadí v místě zablokování do opačného směru k pohybu brusného kotouče.

**d) Zvlášť opatrně pracujte v místech rohů, ostrých hran apod. Zabraňte, aby se nasazovací nástroj odrazil od obrobku a vzpříčil.** Rotující nasazovací nástroj je u rohů, ostrých hran a pokud se odrazí náchylný na vzpříčení se. Toto způsobí ztrátu kontroly nebo zpětný ráz.

**e) Nepoužívejte řetězový ani ozubený pilový list.** Takovéto vložené nástroje často způsobují zpětný ráz nebo ztrátu kontroly nad elektrickým přístrojem.

#### Zvláštní varovná upozornění k broušení a dělení

**a) Používejte výhradně pro Vaše elektronářadí schválená brusná tělesa a pro tato brusná tělesa určený ochranný kryt.** Brusná tělesa, která nejsou určena pro toto elektronářadí, nemohou být dostatečně stíněna a jsou nespolehlivá.

**b) Brusné kotouče s vypuklým středem se musí namontovat tak, aby jejich brusná plocha nepřesahovala přes plochu okraje ochranného krytu.** Neodborně namontovaný brusný kotouč, který přechází přes plochu okraje ochranného krytu, nemůže být dostatečně chráněn.

**c) Používejte vždy ten ochranný kryt, jež je určen pro použití druh brusného tělesa. Ochranný kryt musí být bezpečně na elektronářadí namontován a nastaven tak, aby bylo dosaženo maximální míry bezpečnosti, tzn. nejmenší možný díl brusného tělesa ukazuje nekrytý k obsluhující osobě.** Ochranný kryt má obsluhující osobu chránit před úlomky a případným kontaktem s brusným tělesem.

**d) Brusná tělesa směji být použita pouze pro doporučené možnosti nasazení. Např.: nikdy nebruste boční plochou dělicího kotouče.** Dělicí kotouče jsou určeny k úběru materiálu hranou kotouče. Boční působení síly na tato brusná tělesa je může rozlámat.

**e) Používejte vždy nepoškozené upínací příruby ve správné velikosti a tvaru pro Vámi zvolený brusný kotouč.** Vhodné příruby podírají brusný kotouč a zmiňují tak nebezpečí prasknutí brusného kotouče. Příruby pro dělicí kotouče se mohou odlišovat od přírub pro jiné brusné kotouče.

**f) Nepoužívejte žádné opotřebené brusné kotouče od většího elektronářadí.** Brusné kotouče pro větší elektronářadí nejsou dimenzovány pro vyšší otáčky menších elektronářadí a mohou prasknout.

#### Další zvláštní varovná upozornění k dělení

**a) Zabraňte zablokování dělicího kotouče nebo příliš vysokému přítlaku. Neprovádějte žádné nadměrně hluboké řezy.** Přetížení dělicího kotouče zvyšuje jeho namáhání a náchylnost

ke vzpříčení nebo zablokování a tím možností zpětného rázu nebo prasknutí brusného tělesa.

**b) Vyhybajte se oblasti před a za rotujícím dělicím kotoučem.**

Pokud pohybujete dělicím kotoučem v obrobku pryč od sebe, může být v případě zpětného rázu elektronářadí s otáčejícím se kotoučem vymrštno přímo na Vás.

**c) Jestliže dělicí kotouč uvízne nebo práci přerušíte, elektronářadí vypněte a vydržte v klidu než se kotouč zastaví. Nikdy se nepokoušejte ještě běžící dělicí kotouč vytáhnout z řezu, jinak může následovat zpětný ráz.** Zjistíte a odstraňte příčinu uvíznutí.

**d) Elektronářadí opět nezapínejte, dokud se nachází v obrobku. Nechte dělicí kotouč nejprve dosáhnout svých plných otáček, než budete v řezu opatrně pokračovat.** Jinak se může kotouč zaseknout, vyskočit z obrobku nebo způsobit zpětný ráz.

**e) Desky nebo velké obrobky podepějte, aby se zabránilo riziku zpětného rázu od sevrného dělicího kotouče.** Velké obrobky se mohou pod svou vlastní hmotností prohnut. Obrobek musí být podepen na obou stranách a to jak v blízkosti dělicího řezu tak i na okraji.

**f) Buďte zejména opatrní při tzv. „kapsových řezech“ do stávajících stěn a ve špatně viditelných úsecích.** Zanořující se dělicí kotouč může při zařazení do plynových, vodovodních či elektrických vedení nebo jiných objektů způsobit zpětný ráz.

#### Zvláštní varovná upozornění ke smirkování:

**a) Nepoužívejte žádné předdimenzované brusné listy, ale dodržujte údaje výrobce k velikosti brusných listů.** Brusné listy, které vyčnívají přes brusný talíř, mohou způsobit poranění a též vést k zablokování, roztržení brusných listů nebo ke zpětnému rázu.

#### Zvláštní varovná upozornění k práci s drátěnými kartáči:

**a) Přihlédněte ke skutečnosti, že drátěný kartáč ztrácí kousky drátu i při běžném provozu. Nezatěžujte dráty proto příliš vysokým přítlakem tlakem.** Odletující kousky drátu mohou lehc proniknout skrz tenkou oděv a/nebo kůži.

**b) Je-li doporučen ochranný kryt, zabraňte, aby se ochranný kryt a drátěný kartáč mohly dotýkat.** Talířové a hrncové kartáče mohou díky přítlaku a odstředivým silám zvětšit svůj průměr.

#### Další bezpečnostní a pracovní pokyny

Před zapnutím nástroje vždy zkontrolujte zcela uvolněné tlačítko zámku vřeten! Po použití zámku vřeten a utažení / uvolnění brusného kotouče je možné, že se tlačítko může přilepit v uzamčené poloze. Může to způsobit aktivaci ochrany nástroje nebo baterie a odpojení nástroje od energie. Vypněte spínač, vyjměte baterii a potom opatrně pohybujte kotoučem nahoru dolů, čímž uvolníte tlačítko zámku vřeten.

Poznámka: Pokud se aktivuje i ochrana baterie, jednoduše vyjměte baterii z nástroje a znovu dejte na své místo, čímž resetujete ochranu.

Při broušení kovů odletují jiskry. Dbejte, aby nedošlo k poškození osob. V blízkosti (kam zaletují jiskry) se nesmí nacházet žádné hořlavé látky - nebezpečí požáru. Nepoužívejte odsavač prachu.

Předcházejte tomu, aby se odletující jiskry a brusný prach dostaly do kontaktu s tělem.

Nesahejte do nebezpečného prostoru běžícího stroje.

Pokud stroj běží, nesmí být odstraňovány třísky nebo odstěpky. Stroj okamžitě vypněte, zjistíte-li neobvyklé vibrace nebo jiné problémy. Stroj přezkoušejte, abyste zjistili příčinu problémů.



Při extrémních pracovních podmínkách (např. při hladkém vybrušování kovů opěrným kotoučem a brusným kotoučem z vulkánfibru) se uvnitř ruční úhlové brusky mohou nahromadit nečistoty.

Vzhledem k nebezpečí zkratu se nesmí dostat do odvětrávací mezery kovy.

**VAROVÁNÍ!** Abyste zabránili nebezpečí požáru způsobeného zkratem, poraněním nebo poškozením výrobku, neponožujte nářadí, výměnnou baterii nebo nabíječku do kapalín a zajistěte, aby do zařízení a akumulátorů nevnikly žádné tekutiny. Korodující nebo vodivé kapaliny, jako je slaná voda, určité chemikálie a bělicí prostředky nebo výrobky, které obsahují bělidlo, mohou způsobit zkrat.

Náhradní akumulátory ani nabíječku neotvírejte, skladujte je v suchu, chraňte před vlhkem.

Akumulátor systému GBS nabíjejte pouze nabíječkou systému GBS. Nenabíjejte akumulátory jiných systémů.

### ZBÝVAJÍCÍ RIZIKA

I když se úhlová bruska používá tak, jak je předepsáno, je stále nemožné zcela vyloučit určité faktory zbytkového rizika. Mohou vzniknout následující nebezpečí a provozovatel by měl věnovat zvláštní pozornost, aby se zabránilo následujícímu:

#### Zranění způsobeno vyvrženými částicemi.

Kovové nebo brusné částice mohou vniknout do očí a způsobit vážné trvalé poškození.

Při každém použití výrobku používejte ochranné brýle schválené na broušení

#### Zranění způsobeno vibracemi.

Omezte expozici. Viz VAROVÁNÍ pro Vibrace!

#### Zranění způsobeno prachem.

Používejte vhodnou masku proti prachu s filtry vhodnými pro ochranu před částicemi z materiálu, na kterém se pracuje a abrazivními částicemi z brusného kotouče.

Nejezte, nepijte a nekurte v pracovní oblasti. Zajistěte dostatečnou větrání.

#### Zranění při kontaktu s brusným kotoučem.

Kotouč a obrobek se během používání zahřívají. Při výměně kotoučů nebo při dotyku s obrobkem používejte rukavice. Ruce držte vždy mimo oblasti broušení.

Upevněte obrobek vždy, když je to možné.

#### Zranění způsobeno hlukem.

Dlouhodobé vystavení hluku zvýší riziko poškození sluchu a účinky jsou kumulativní. Při používání elektrického nářadí po delší dobu používejte ochranu sluchu.

Zranění mohou být způsobena nebo zhoršena dlouhodobým používáním nástroje. Pokud používáte jakýkoli nástroj delší dobu, zajistěte, abyste si dělali pravidelné přestávky.

### OBLAST VYUŽITÍ

Úhlová bruska je určena na broušení a řezání kovových, kamenných, betonových a keramických materiálů, jakož i pískové broušení a broušení drátěným kartáčem.

Používejte řezný ochranný kryt z řady příslušenství pro řezací aplikace.

Ve sporném případě seřadte pokyny výrobce příslušenství.

Toto elektrické nářadí je vhodné pouze pro suché obrábění.

Do úhlové brusky byste měli montovat pouze vhodné brusné nebo řezné kotouče a příslušné ochranné kryty (ochranný kryt při

broušení nebo řezání), jak je popsáno v části specifikace výrobku v této příručce. Úhlová bruska je určena na ruční používání; nesmí být namontována na upínací přípravek ani na pracovní stůl.

Nepoužívejte výrobek jiným způsobem, než jaký je uveden pro zamýšlené použití.

### PRACOVNÍ POKYNY

U brusiva vybaveného podložkou se závitem zajistit, aby byl závit dostatečně dlouhý pro hřídel.

Rozbrušovací a brusné kotouče používejte a skladujte podle doporučení výrobce.

Při hrubování a řezání vždy používejte ochranný kryt kotouče.

Brusné kotouče s vypouklým středem se musí namontovat tak, aby jejich brusná plocha nepřesahovala přes plochu okraje ochranného krytu.

Upínací matice kotouče musí být před spuštěním stroje utažena.

Vždy používejte doplňkové madlo.

Obráběný kus musí být řádně upnut, není-li dostatečně těžký.

### AKUMULÁTORY

Teplota přes 50°C snižuje výkon akumulátoru. Chraňte před dlouhým přehříváním na slunci či u topení.

Kontakty nabíječky a akumulátoru udržujte v čistotě.

Pro optimální životnost je nutné akumulátory po použití plně dobít. Déle nepoužívané akumulátory je nutné před použitím znovu nabít.

K zabezpečení dlouhé životnosti by se akumulátory měly po nabití vyjmout z nabíječky.

Při skladování akumulátoru po dobu delší než 30 dní, Skladujte akumulátor v suchu při cca 27°C., Skladujte akumulátor při cca 30%-50% nabíjecí kapacity., Opakujte nabíjení akumulátoru každých 6 měsíců.

Použitě nevyhazujte do domovního odpadu nebo do ohně. AEG nabízí ekologickou likvidaci starých článků, ptejte se u vašeho obchodníka s nářadím.

Náhradní akumulátor neskladujte s kovovými předměty, nebezpečí zkratu.

### OCHRANA PROTI PŘETÍŽENÍ AKUMULÁTORU

Při přetížení akumulátoru prostřednictvím příliš vysoké spotřeby proudu, např. extrémně vysoké krouticí momenty, uviznutí nasazovaného nářadí, prudké nečekané zastavení nebo zkrat, se elektrické nářadí na 2 sekundy zastaví a samostatně se vypne. K resetování vyjměte baterii z nástroje a znovu dejte na své místo.

Při extrémním zatížení dochází k příliš vysokému ohřevu akumulátoru. V tomto případě začnou blikat všechny kontrolky indikátoru dobíjení a blikají tak dlouho, dokud se akumulátor opět neochladí. V okamžiku, kdy indikátor dobíjení přestane blikat, je možné v práci opět pokračovat. Akumulátor v tomto případě k dobíjení a aktivaci vložíte opět do nabíječky.

### PŘEPRAVA LITHIUM-IONTOVÝCH BATERIÍ

Lithium-iontové baterie spadají podle zákonných ustanovení pod přepravu nebezpečného nákladu.

Přeprava těchto baterií se musí realizovat s dodržováním lokálních, vnitrostátních a mezinárodních předpisů a ustanovení.

Spotřebitelé mohou tyto baterie bez problémů přepravovat po komunikacích.

Komerční přeprava lithium-iontových baterií prostřednictvím přepravních firem podléhá ustanovením o přepravě nebezpečného nákladu. Přípravu k vyexpedování a samotnou přepravu směř



vykonávat jen příslušně vyškolené osoby. Na celý proces se musí odborně dohlížet.

Při přepravě baterií je třeba dodržovat následující:

Zajistěte, aby kontakty byly chráněné a izolované, aby se zamezilo zkratům. Dávejte pozor na to, aby se svazek baterií v rámci balení nemohl sesmeknout. Poškozené a vyteklé baterie se nesmějí přepravovat. Ohledně dalších informací se obraťte na vaši přepravní firmu.

### OCHRANA PROTI OPĚTOVNÉMU NÁBĚHU

Nulový spínač zabraňuje opětovnému rozběhnutí stroje po přerušení dodávky el. proudu (výměna baterie).

Při obnoveném zahájení práce stroj vypněte a opět zapněte.

### ŘÍZENÝ MĚKKÝ ROZBĚH

Elektronicky řízený měkký rozběh pro bezpečnější použití stroje zabraňuje i trhavému pohybu při rozběhu stroje.

### ÚDRŽBA

Před zahájením veškerých prací na vrtacím šroubováků vyjmout výměnný akumulátor.

Větrací štěrbinu nářadí udržujeme stále čisté.

Používejte výhradně náhradní díly a příslušenství AEG. Díly, jejichž výměna nebyla popsána, nechávejte vyměnit v odborném servisu AEG. (Viz záruční list.)

Při potřebě podrobného rozkresu konstrukce, oslovte informaci o typu a čísle přímo servis a nebo výrobce, Techtronic Industries GmbH, Max-Eyth-Straße 10, 71364 Winnenden, Germany.

### CE-PROHLÁŠENÍ O SHODĚ

Prohlašujeme na naši výhradní odpovědnost, že produkt popsán v části „Technické údaje“ splňuje všechna příslušná ustanovení směrníc

2011/65/EU (RoHS)

2006/42/ES

2014/30/EU

a byly použity následující harmonizované normy

EN 60745-1:2009 + A11:2010

EN 60745-2-3:2011 + A2:2013 + A11:2014 + A12:2014 + A13:2015

EN 55014-1:2017

EN 55014-2:2015

EN 50581:2012



Winnenden, 2018-08-16

Alexander Krug / Managing Director  
Zplnomocněn k sestavování technických podkladů.

Techtronic Industries GmbH  
Max-Eyth-Straße 10, 71364 Winnenden, Germany

### SYMBOLY



POZOR! VAROVÁN! NEBEZPEČÍ!



Před spuštěním stroje si pečlivě přečtěte návod k používání.



Při práci se strojem neustále nosit ochranné brýle.



Používejte ochranné rukavice!



Před zahájením veškerých prací na vrtacím šroubováků vyjmout výměnný akumulátor.



ANTI vibrační systém



Nepoužívejte sílu.



Pouze na řezání.



Pouze na broušení.



Během startu a během provozu nemačkejte tlačítko zámku vřetena.



Příslušenství není součástí dodávky, viz program příslušenství.



Náhradní díl - Není součástí standardního vybavení, je k dispozici jako náhradní díl.



Elektrická zařízení, baterie/akumulátory se nesmí likvidovat společně s odpadem z domácnosti. Elektrická zařízení, baterie/akumulátory je třeba sbírat odděleně a odevzdat je v recyklačním podniku na ekologickou likvidaci. Na místních úřadech nebo u vašeho specializovaného prodejce se informujte na recyklační podniky a sběrné dvory.



Stejnoseměrný proud



napětí



Jmenovité otáčky



Značka shody v Evropě

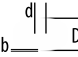
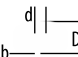
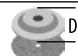



Značka shody na Ukrajině



Značka shody pro oblast Eurasie



TECHNICKÉ ÚDAJE	BEWS18-115BL	BEWS18-125BL
<b>Akumulátorová uhlová brúska</b>		
Výrobné číslo	4693 80 01 ... 4690 25 01 ... ... 000001-999999	4693 85 01 ... 4690 40 01 ... ... 000001-999999
Napätie výmenného akumulátora	18 V	18 V
Menovitý počet obrátok	11000 min <sup>-1</sup>	11000 min <sup>-1</sup>
D= Priemer brúsneho kotúča max. d= ø otvoru	115 mm 22,2 mm	125 mm 22,2 mm
 b= Hrúbka rozbrusovacieho kotúča min. / max.	1/3 mm	1/3 mm
 b= Hrúbka brúsneho kotúča max.	6 mm	6 mm
 D= brúsne plochy-ø max.	115 mm	125 mm
 D= miskovité kefy-ø max.	75 mm	75 mm
Závit vretena	M 14	M 14
Hmotnosť podľa vykonávacieho predpisu EPTA 01/2014 (Li-Ion 1,5 Ah...9,0 Ah)	2,4 kg ... 3,1 kg	2,4 kg ... 3,1 kg
Odporúčaná teplota okolia pre prevádzku	-18°C ... +50°C	-18°C ... +50°C
Odporúčané akupaky	L18...	L18...
Odporúčané nabíjačky	AL1218... / BL 1218...	AL1218... / BL 1218...
<b>Informácia o hluku</b>		
Namerané hodnoty určené v súlade s EN 60745. V triede A posudzovaná hladina hluku prístroja činí typicky:		
Hladina akustického tlaku (Kolisavosť K=3dB(A))	83dB(A)	83dB(A)
Hladina akustického výkonu (Kolisavosť K=3dB(A))	84dB(A)	84dB(A)
<b>Používajte ochranu sluchu!</b>		
<b>Informácie o vibráciách</b>		
Celkové hodnoty vibrácií (vektorový súčet troch smerov) zistených zmysle EN 60745.		
Brúsenie povrchov (Li-Ion 1,5 Ah): Hodnota vibračných emisií a <sub>h,AG</sub>	9,4m/s <sup>2</sup>	9,4m/s <sup>2</sup>
Kolisavosť K=	1,5 m/s <sup>2</sup>	1,5 m/s <sup>2</sup>
Brúsenie pomocou brúsneho listu (Li-Ion 1,5 Ah): Hodnota vibračných emisií a <sub>h,DS</sub>	5,7m/s <sup>2</sup>	5,7m/s <sup>2</sup>
Kolisavosť K=	1,5 m/s <sup>2</sup>	1,5 m/s <sup>2</sup>

U iných aplikácií, napr. pri rozbrusovaní alebo brúsení ocelovou drôtenou kefou môžu vzniknú vibrácie iných hodnôt!

### VAROVANIE pre Vibrácie!

Úroveň vibrácií uvedená v týchto pokynoch bola nameraná meracou metódou, ktorú stanovuje norma EN 60745 a je možné ju použiť na vzájomné porovnanie elektrického náradia. Hodí sa aj na predbežné posúdenie kmitavého namáhania.

Uvedená úroveň vibrácií reprezentuje hlavné aplikácie elektrického náradia. Ak sa však elektrické náradie používa pre iné aplikácie, s odlišnými vloženými nástrojmi alebo s nedostatočnou údržbou, môže sa úroveň vibrácií líšiť. Toto môže kmitavé namáhanie v priebehu celej pracovnej doby podstatne zvýšiť.

Pre presný odhad kmitavého namáhania by sa mali tiež zohľadniť doby, v ktorých je náradie vypnuté alebo je síce v chode, ale v skutočnosti sa nepoužíva. Toto môže kmitavé namáhanie v priebehu celej pracovnej doby zreteľne redukovat'.

Stanovte dodatočné bezpečnostné opatrenia pre ochranu obsluhy pred účinkami vibrácií, ako napríklad: údržba elektrického náradia a vložených nástrojov, udržiavanie teploty rúk, organizácia pracovných postupov.

## **POZOR!**

Zoznámte sa so všetkými bezpečnostnými pokynmi. Zanedbanie dodržiavania Výstražných upozornení a pokynov uvedených v nasledujúcim texte môže mať za následok zásah elektrickým prúdom, spôsobiť požiar a/alebo ťažké poranenie. **Tieto Výstražné upozornenia a bezpečnostné pokyny starostlivo uschovajte na budúce použitie.**



### Opis zariadenia

- |  |                                      |
|--|--------------------------------------|
| 1 Zámok vretena  | 7 Príslušenstvo                      |
| 2 Prídavná rukoväť / AVS<br>Prídavná rukoväť<br>Izolovaná úchopná plocha | 8 Príruba                            |
| 3 Rukoväť Izolovaná úchopná<br>plocha                                    | 9 Prírubová matica /Matica<br>FIXTEC |
| 4 Spínač Zap-Vyp   | 10 Akumulátor                        |
| 5 Ochrana proti brúseniu   | 11 Ochranný štít proti prachu        |
| 6 Nastavovacia páka ochrany  | 12 Ochrana proti rezaniu             |

## **BEZPEČNOSTNÉ POKYNY PRE UHLOVÉ BRÚSKY**

**Bezpečnostné pokyny pre brúsenie, brúsenie brúsnyim papierom, pre prácu s drôtenou kefou, leštenie a rezanie:**

- Toto ručné elektrické náradie sa používa ako brúska, ako brúska na brúsenie skleneným papierom, ako drôtená kefa a ako náradie na rezanie. Rešpektujte všetky výstražné upozornenia, pokyny, obrázky a údaje, ktoré ste dostali s týmto ručným elektrickým náradím. Ak by ste nedodržiali nasledujúce pokyny, mohlo by to mať za následok zásah elektrickým prúdom, vznik požiaru a/alebo vážne poranenie.**
- Toto ručné elektrické náradie nie je vhodné na leštenie.** Použitie tohto elektrického náradia k iným než určeným účelom môže viesť k ohrozeniu zdravia a k zraneniu.
- Nepoužívajte žiadne také príslušenstvo, ktoré nebolo výrobcom určené a odporúčané špeciálne pre toto ručné elektrické náradie.** Okolnosť, že príslušenstvo sa dá na ručné elektrické náradie upevniť, ešte neznamená, že to zaručuje jeho bezpečné používanie.
- Pripustné otáčky pracovného nástroja musia byť minimálne také vysoké ako najvyššie otáčky uvedené na**

**elektrickom náradí.** Príslušenstvo, ktoré sa otáča rýchlejšie, sa môže zlomiť a rozletieť.

**e) Vonkajší priemer a hrúbka pracovného nástroja musia zodpovedať rozmerovým údajom uvedeným na ručnom elektrickom náradí.** Nesprávne dimenzované pracovné nástroje nemôžu byť dostatočne odčlenené a kontrolované.

**f) Závitý dielov príslušenstva sa musia zhodovať so závitom vretena brúsneho kotúča. Pri častiach príslušenstva, ktoré sa majú pripojiť pomocou príruby, sa musí zosúladiť otvor pre upínací trň na diele príslušenstva s priemerom lokalizačnej príruby. Diely príslušenstva, ktoré sa nehodia na montážny trň prístroja, bežia excentricky, veľmi silno vibrujú a môžu viesť k strate kontroly nad náradím.**

**g) Nepoužívajte žiadne poškodené pracovné nástroje. Pred každým použitím tohto ručného elektrického náradia skontrolujte, či nie sú pracovné nástroje, ako napr. brúsne kotúče, vyštrbené alebo vylomené, či nemajú brúsne tanieri vylomené miesta, trhliny alebo miesta intenzívneho opotrebovania, či nie sú na drôtených kefách uvoľnené alebo polámané drôty. Keď ručné elektrické náradie alebo pracovný nástroj spadnú na zem, prekontrolujte, či nie sú poškodené, alebo použite nepoškodený pracovný nástroj. Keď ste prekontrolovali a upli pracovný nástroj, zabezpečte, aby ste neboli v rovine rotujúceho nástroja, a aby sa tam ani nenachádzali žiadne iné osoby, ktoré sú v blízkosti Vášho pracoviska, a nechajte ručné elektrické náradie bežať jednu minútu na maximálne obrátky. Poškodené pracovné nástroje sa obvyčajne počas tejto doby testovania zlomia.**

**h) Používajte osobné ochranné prostriedky. Podľa druhu použitia náradia používajte ochranný štít na celú tvár, štít na oči alebo ochranné okuliare. Pokiaľ je to primerané, používajte ochrannú dýchaciu masku, chrániče sluchu, pracovné rukavice alebo špeciálnu zásteru, ktorá Vás uchráni pred odletujúcimi drobnými časticami brúsiva a obrábacieho materiálu. Predovšetkým oči treba chrániť pred odletujúcimi cudzími telieskami, ktoré vznikajú pri rôznom spôsobe používania náradia. Ochrana proti prachu alebo ochranná dýchacia maska musia predovšetkým odfiltrovať konkrétny druh prachu, ktorý vzniká pri danom druhu použitia náradia. Keď je človek dlhšiu dobu vystavený hlasnému hluku, môže utrpieť stratu sluchu.**

**i) Zabezpečte, aby sa iné osoby nachádzali v bezpečnej vzdialenosti od Vášho pracoviska. Každá osoba, ktorá vstúpi do pracovného dosahu náradia, musí byť vybavená osobnými ochrannými pomôckami. Úlomky obrobru alebo zlomený pracovný nástroj môžu odletieť a spôsobiť poranenie osôb aj mimo priameho pracoviska.**

**j) Pri realizovaní prác, pri ktorých nástroj môže naraziť na skryté elektrické vedenia, držte prístroj za izolovanú pridržiavaciu plošku. Kontakt rezného nástroja s vedením pod napätím môže viesť k prenosu napätia na kovové časti prístroja a k úrazu elektrickým prúdom.**

**k) Elektrické náradie nikdy neodkladajte skôr, ako sa pracovný nástroj úplne zastaví. Rotujúci pracovný nástroj sa môže dostať do kontaktu s odkladacou plochou, následkom čoho by ste mohli stratiť kontrolu nad ručným elektrickým náradím.**

**l) Nikdy nemajte ručné elektrické náradie zapnuté vtedy, keď ho prenášate na iné miesto. Náhodným kontaktom Vašich vlasov alebo Vášho oblečenia s rotujúcim pracovným nástrojom by sa Vám pracovný nástroj mohol zavrieť do tela.**

**m) Pravidelne čistite vetracie otvory svojho ručného elektrického náradia. Ventilátor motora vtáhuje do telesa náradia prach a veľké nahromadenie kovového prachu by mohlo spôsobiť vznik nebezpečného zásahu elektrickým prúdom.**



Slov

**n) Nepoužívajte toto ručné elektrické náradie v blízkosti horľavých materiálov.** Odletujúce iskry by mohli tieto materiály zapáliť.

**o) Nepoužívajte žiadne také pracovné nástroje, ktoré potrebujú chladienie kvapalinou.** Použitie vody alebo iných tekutých chladiacich prostriedkov môže mať za následok zásah elektrickým prúdom.

### Spätný ráz a príslušné výstražné upozornenia

Spätný ráz je náhlu reakciou náradia na vzpriecheny, zaseknuty alebo blokujući pracovny nástroj, napríklad brúsny kotúč, brúsny tanier, drôtená kefa a pod. Zaseknutie alebo zablokovanie vedie k náhlemu zastaveniu rotujúceho pracovného nástroja. Takýmto spôsobom sa nekontrolované ručné elektrické náradie rozkrúti na zablokovanom mieste proti smeru otáčania pracovného nástroja. Keď sa napríklad brúsny kotúč vzpriechi alebo zablokuje v obrobru, môže sa hrana brúsneho kotúča, ktorá je zapichnutá do obrobru, zachytiť v materiáli a tým sa vylomit' z brúsneho taniera, alebo spôsobiť spätý ráz náradia. Brúsny kotúč sa potom pohybuje smerom k osobe alebo smerom preč od nej podľa toho, aký bol smer otáčania kotúča na mieste zablokovania. Brúsne kotúče sa môžu za takomto prípade aj rozlomiť.

Spätný ráz je následkom nesprávneho a chybného používania ručného elektrického náradia. Vhodnými preventívnymi opatreniami, ktoré popisujeme v nasledujúcom texte, mu možno zabrániť.

**a) Ručné elektrické náradie vždy držte pevne a svoje telo a ruky udržiavajte vždy v takej polohe, aby ste vydržali prípadný spätý ráz náradia. Pri každej práci používajte prídavnú rukoväť, ak ju máte k dispozícii, aby ste mali čo najväčšiu kontrolu nad silami spätného rázu a reakčnými momentmi pri rozbehu náradia.** Pomocou vhodných opatrení môže obsluhujúca osoba sily spätného rázu a sily reakčných momentov zvládnuť.

**b) Nikdy nedávajte ruku do blízkosti rotujúceho pracovného nástroja.** Pri spätnom ráze by Vám mohol pracovný nástroj zasiahnuť ruku.

**c) Nemajte telo v priestore, do ktorého by sa mohlo ručné elektrické náradie v prípade spätného rázu vymrštiť.** Spätný ráz vymršti ručné elektrické náradie proti smeru pohybu brúsneho kotúča na mieste blokovania.

**d) Mimoriadne opatrne pracujte v oblasti rohov, ostrých hrán a pod. Zabráňte tomu, aby obrobok vymrštil pracovný nástroj proti Vám, alebo aby sa v ňom pracovný nástroj zablokoval.** Rotujúci pracovný nástroj má sklon zablokovať sa v rohu, na ostrých hranách alebo vtedy, keď je vyhodeny. To spôsobí stratu kontroly nad náradím alebo jeho spätý ráz.

**e) Nepoužívajte žiadny reťazový alebo ozubený pilový list.** Takého pracovného nástroja spôsobujú často spätý ráz alebo stratu kontroly nad elektrickým náradím.

### Osobitné bezpečnostné predpisy pre brúsenie a rezanie

**a) Používajte výlučne brúsne telesá schválené pre Vaše ručné elektrické náradie a ochranný kryt určený pre konkrétne zvolené brúsne teleso.** Brúsne telesá, ktoré neboli schválené pre dané ručné elektrické náradie, nemôžu byť dostatočne odčlenené a nie sú bezpečné.

**b) Brúsne kotúče s vypuklým stredom sa musia tak namontovať, aby ich brúsna plocha nepresahovala cez plochu okraja ochranného krytu.** Neodborne namontovaný brúsny kotúč, ktorý prečnieva cez plochu okraja ochranného krytu, nemôže byť dostatočne chránený.

**c) Používajte vždy ochranný kryt, ktorý je určený pre používaný druh brúsneho telesa. Ochranný kryt musí byť upevnený priamo na ručnom elektrickom náradí a musí byť nastavený tak, aby sa dosiahla maximálna miera bezpečnosti, t. j. brúsne teleso nesmie byť otvorené proti obsluhujúcej osobe.** Ochranný kryt musí chrániť obsluhujúcu osobu pred úlomkami brúsneho telesa a obrobru a pred náhodným kontaktom s brúsnym telesom.

**d) Brúsne telesá sa smú používať len pre príslušný odporúčanú oblasť používania. Napr.: Nikdy nesmiete brúsiť bočnou plochou rezacieho kotúča.** Rezacie kotúče sú určené na uberanie materiálu hranou kotúča. Pôsobenie bočnej sily na tento kotúč môže spôsobiť jeho zlomenie.

**e) Vždy používajte pre vybraný typ brúsneho kotúča nepoškodenú upínacu prírubu správneho rozmeru a tvaru.** Vhodná príruha podopiera brúsny kotúč a znižuje nebezpečenstvo zlomenia brúsneho kotúča. Príruba pre rezacie kotúče sa môžu odlišovať od prírub pre ostatné brúsne kotúče.

**f) Nepoužívajte žiadne opotrebované brúsne kotúče z väčšieho ručného elektrického náradia.** Brúsne kotúče pre väčšie ručné elektrické náradie nie sú dimenzované pre vyššie obrátky menších ručných elektrických náradí a môžu sa rozlomiť.

### Ďalšie osobitné výstražné upozornenia k rezacím kotúčom

**a) Vyhybajte sa zablokovaniu rezacieho kotúča alebo použitiu príliš veľkého prítlaku. Nevykonávajte žiadne nadmierne hlboké rezy.** Pretaženie rezacieho kotúča zvyšuje jeho namáhanie a náchylnosť na vzpriechenie alebo zablokovanie a tým zvyšuje aj možnosť vzniku spätného rázu alebo zlomenia rezacieho kotúča.

**b) Vyhybajte sa priestoru pred rotujúcim rezacím kotúčom a za ním.** Keď pohybné rezací kotúč v obrobru smerom od seba, v prípade spätného rázu môže byť ručné elektrické náradie vymrštené rotujúcim kotúčom priamo na Vás.

**c) Ak sa rezací kotúč zablokuje, alebo ak prerušíte prácu, ručné elektrické náradie vypnite a pokojne ho držte dovtedy, kým sa rezací kotúč úplne zastaví. Nepokúšajte sa vyberať rezací kotúč z rezu vtedy, keď ešte beží, pretože by to mohlo mať za následok vyvolanie spätného rázu.** Zistite príčinu zablokovania rezacieho kotúča a odstráňte ju.

**d) Nikdy nezapínajte znova ručné elektrické náradie dovtedy, kým sa rezací kotúč nachádza v obrobru. Skôr ako budete opatrne pokračovať v reze, počkajte, kým dosiahne rezací kotúč maximálny počet obrátok.** V opačnom prípade sa môže rezací kotúč zaseknúť, vyskočiť z obrobru alebo vyvolať spätý ráz.

**e) Veľké platne alebo veľkorozmerné obroby pri rezaní podoprite, aby ste znížili riziko spätného rázu zablokovaním rezacieho kotúča.** Veľké obroby sa môžu prehnúť následkom vlastnej hmotnosti. Obrobok treba podoprieť na oboch stranách, a to aj v blízkosti rezu aj na hrane.

**f) Buďte zvlášť opatrní pri tzv. „vreckových rezoch“ do postavených stien alebo do iných zle prehľadných zón.** Zapichovaný rezací kotúč môže pri zarezaní do plynového alebo vodovodného potrubia, do elektrického vedenia alebo iných objektov spôsobiť spätý ráz.

### Osobitné bezpečnostné pokyny pre brúsenie brúsnym papierom:

**a) Nepoužívajte žiadne nadrozmerné brúsne listy, ale dodržiavajte údaje výrobcu o rozmeroch brúsných listov.** Brúsne listy, ktoré presahujú okraj brúsneho taniera, môžu spôsobiť poranenie a viesť k zablokovaniu, alebo k roztrhnutiu brúsných listov alebo k spätnému rázu.

## Osobitné bezpečnostné pokyny pre prácu s drôtenými kefami:

**a) Prihľadnite ku skutočnosti, že drôtená kefa stráca kúsok drôtu aj pri bežnom použití. Nezaťažujte preto drôty príliš veľkým prítláčnym tlakom.** Odletujúce kúsky drôtu môžu ľahko preniknúť cez tenký odev a/alebo pokožku.

**b) Ak sa odporúča používanie ochranného krytu, zabráňte tomu, aby sa ochranný kryt a drôtená kefa mohli dotýkať.** Tanierové a miskovitě drôtené kefy môžu následkom prítláčania a odstredivých síl zväčšiť svoj priemer.

## Ďalšie bezpečnostné a pracovné pokyny

Pred zapnutím nástroja vždy skontrolujte úplne uvoľnené tlačidlo zámku vretena! Po použití zámku vretena na utiahnutie / uvoľnenie brúsneho kotúča je možné, že sa tlačidlo môže prilepiť v uzamknutej polohe. Môže to spôsobiť aktiváciu ochrany nástroja alebo batérie a odpojenie nástroja od energie. Vypnite spínač, vyberte batériu a potom opatrne pohybujte kotúčom hore dolu, čím uvoľníte tlačidlo zámku vretena.

Poznámka: Ak sa aktivuje aj ochrana batérie, jednoducho vyberte batériu z nástroja a znova dajte na svoje miesto, čím resetujete ochranu.

Pri brúsení kovov dochádza k lietaniu iskier. Dávajte pozor, aby neboli ohrozené žiadne osoby. Z dôvodu nebezpečia požiaru nesmú byť v blízkosti (oblast lietania iskier) žiadne horľavé materiály. Nepoužívajte odsávač prachu.

Predchádzajte tomu, aby sa odletujúce iskry a brúsny prach dostali do kontaktu s telom.

Nesiahať do nebezpečnej oblasti bežiacieho stroja.

Triesky alebo úlomky sa nesmú odstraňovať za chodu stroja.

Ak za chodu prístroja dôjde k výraznému kmitaniu alebo sa vyskytnú iné nedostatky, okamžite ho vypnite. Stroj skontrolujte, aby ste zistili príčinu.

Pri extrémnych pracovných podmienkach (napr. pri hľadkom vybrusovaní kovov operným kotúčom a brúsnym kotúčom z vulkánfibru) sa vnútri ručnej uhlovej brúsky môžu nahromadiť nečistoty.

Z dôvodu nebezpečia skratu sa do vetracích otvorov nesmú dostať kovové predmety.

**POZOR!** Aby ste zabránili nebezpečenstvu požiaru spôsobeného skratom, poraneniam alebo poškodeniam výrobku, neponárajte náradie, výmennú batériu alebo nabíjačku do kvapalín a postarajte sa o to, aby do zariadení a akumulátorov nevnikli žiadne tekutiny. Korodujúce alebo vodivé kvapaliny, ako je slaná voda, určité chemikálie a bieliacie prostriedky alebo výrobky, ktoré obsahujú bielidlo, môžu spôsobiť skrat.

Výmenné akumulátory a nabíjacie zariadenia neotvárajte a skladujte len v suchých priestoroch. Chrániť pred vlhkosťou.

Výmenné akumulátory systému GBS nabíjajú len nabíjacími zariadeniami systému GBS. Akumulátory iných systémov týmto zariadením nenabíjajú.

## ZVÝŠKOVÉ RIZIKÁ

Aj keď sa uhlová brúska používa tak, ako je predpísané, je stále nemožné úplne vylúčiť určité faktory zvyškového rizika. Môžu vzniknúť nasledujúce nebezpečenstvá a prevádzkovateľ by mal venovať osobitnú pozornosť, aby sa zabránilo nasledujúcemu:

### Zranenie spôsobené vyvrhnutými časticami.

Kovové alebo brúsne častice môžu vniknúť do očí a spôsobiť vážne trvalé poškodenie.

Pri každom použití výrobku používajte ochranné okuliare schválené na brúsenie

## Zranenie spôsobené vibráciami.

Obmedzte expozíciu. Pozrite si VAROVANIE pre Vibrácie!

## Zranenie spôsobené prachom.

Používajte vhodnú masku proti prachu s filtermi vhodnými na ochranu pred časticami z materiálu, na ktorom sa pracuje a abrazívnymi časticami z brúsneho kotúča.

Nejedzte, nepite ani nefajčite v pracovnej oblasti. Zabezpečte dostatočné vetranie.

## Zranenie pri kontakte s brúsnym kotúčom.

Kotúč a obrobok sa počas používania zahrievajú. Pri výmene kotúčov alebo pri dotyku s obrobkom používajte rukavice. Ruky držte vždy mimo oblasti brúsenia.

Upevnite obrobok vždy, keď je to možné.

## Zranenie spôsobené hlukom.

Dlhodobé vystavenie hluku zvyšuje riziko poškodenia sluchu a účinky sú kumulatívne. Pri používaní elektrického náradia počas dlhšej doby používajte ochranu sluchu.

Zranenia môžu byť spôsobené alebo zhoršené dlhodobým používaním nástroja. Ak používate akýkoľvek nástroj dlhšiu dobu, zaistite, aby ste si robili pravidelné prestávky.

## POUŽITIE PODĽA PREDPISOV

Uhlová brúska je určená na brúsenie a rezanie kovových, kamenných, betónových a keramických materiálov, ako aj pieskové brúsenie a brúsenie drôtenou kefou.

Používajte rezný ochranný kryt z radu príslušenstva pre rezacie aplikácie.

V spornom prípade sa riadťepokynmi výrobcov príslušenstva.

Toto elektrické náradie je vhodné iba na suché obrábanie.

Do uhlovej brúsky by sa mali montovať iba vhodné brúsne alebo rezné kotúče a príslušné ochranné kryty (ochranný kryt pri brúsení alebo rezaní), ako je opísané v časti špecifikácie výrobku v tejto príručke. Uhlová brúska je určená na ručné používanie; nesmie byť namontovaná na upínací prípravok ani na pracovný stôl.

Nepoužívajte výrobok iným spôsobom, než aký je uvedený pre zamýšľanú použitie.

## NAPOTKI ZA DELO

Pri brúsných materiáloch, ktoré majú byť vybavené kotúčom so závitom, je potrebné sa uistiť, či závla závitú pre vreteno je dostatočná.

Rozbrusovacia a brúsne kotúče používať a uskladňovať vždy podľa návodu výrobcu.

Pri hrubovaní a delení pracovať vždy s ochranným krytom.

Brúsne kotúče s vypuklým stredom sa musia tak namontovať, aby ich brúsna plocha nepresahovala cez plochu okraja ochranného krytu.

Pred uvedením stroja do prevádzky musí byť prírubová matica dotiahnutá.

používať vždy prídavnú rukoväť.

Opracovávaný obrobok musí byť pevne upnutý, pokiaľ nedrží vlastnou váhou. Nikdy nevedte obrobok rukou proti kotúču.

## AKUMULÁTORY

Teplota vyššia ako 50°C znižuje výkon výmenného akumulátora. Zabráňte dlhšiemu ohriatiu slnkom alebo kúrením.

Pripájacie kontakty na nabíjacom zariadení a výmennom akumulátore udržiavať čisté.



Pre optimálnu životnosť je nutné akumulátory po použití plne dobiť. Dlhší čas nepoužívané výmenné akumulátory pred použitím dobiť.

K zabezpečeniu dlhej životnosti by sa akumulátory mali po nabití vybrať z nabíjačky.

Pri skladovaní akumulátora po dobu dlhšiu než 30 dní, Skladujte akumulátor v suchu pri cca 27°C., Skladujte akumulátor pri cca 30%-50% nabíjacej kapacite., Opakujte nabíjanie akumulátora každých 6 mesiacov.

Opatrebované výmenné akumulátory nezahadzujte do ohňa alebo medzi domový odpad. AEG ponúka likvidáciu starých výmenných akumulátorov, ktorá je v súlade s ochranou životného prostredia; informujte sa u Vášho predajcu.

Výmenné akumulátory neskladovať spolu s kovovými predmetmi (nebezpečenstvo skratu).



**Slov**

#### OCHRANA PROTI PREŽAŽENIU AKUMULÁTORA

Pri prežatí akumulátora prostredníctvom príliš vysokej spotreby prúdu, napr. extrémne vysoké krútiace momenty, uviaznutie nasadzovaného náradia, prudké nečakané zastavenie alebo skrat, sa elektrické náradie na 2 sekundy zastaví a samostatne sa vypne. K resetovaniu vyberte batériu z nástroja a znova dajte na svoje miesto.

Pri extrémnom zatažení dochádza k príliš vysokému ohrevu akumulátora. V tomto prípade začnú blikať všetky kontrolky indikátora dobíjania a blikajú tak dlho, dokiaľ sa akumulátor opäť neochladí. V okamihu, keď indikátor dobíjania prestane blikať, je možné v práci opäť pokračovať. Akumulátor v tomto prípade k dobitiu a aktivácii vložte opäť do nabíjačky.

#### PREPRAVA LÍTIOVO-IÓNOVÝCH BATÉRIÍ

Lítiovo-iónové batérie podľa zákonných ustanovení spadajú pod prepravu nebezpečného nákladu.

Preprava týchto batérií sa musí realizovať s dodržiavaním lokálnych, vnútroštátnych a medzinárodných predpisov a ustanovení. Spotrebiteľia môžu tieto batérie bez problémov prepravovať po cestách.

Komerčná preprava lítiovo-iónových batérií prostredníctvom špedičných firiem podlieha ustanoveniam o preprave nebezpečného nákladu. Prípravu k vyexpedovaniu a samotnú prepravu smú vykonávať iba adekvátne vyskolené osoby. Na celý proces sa musí odborné dohliadať.

Pri preprave batérií treba dodržiavať nasledovné:

Zabezpečte, aby boli kontakty chránené a izolované, aby sa zamedzilo skratom. Dávajte pozor na to, aby sa zvázok batérií v rámci balenia nemohol zošmyknúť. Poškodené a vytečené batérie sa nesmú prepravovať. Kvôli ďalším informáciám sa obráťte na vašu špedičnú firmu.

#### OCHRANA PROTI OPÄTOVNÉMU NÁBEHU

Nulový spínač zabraňuje opätovnému nabehnutiu stroja po prerušení dodávky el. prúdu (výmena batérie).

Pri obnovenom započatí práce stroj vypnúť a opäť zapnúť.

#### JEMNÝ NÁBEH

Elektronický jemný nábeh pre bezpečné ovládanie zabraňuje trhavému nábehu stroja pri zapnutí.

#### ÚDRZBA

Pred každou prácou na stroji výmenný akumulátor vytiahnuť.

Vetracie otvory udržiavať stále v čistote.

Používať len AEG príslušenstvo a náhradné diely. Súčiastky bez návodu na výmenu treba dať vymeniť v jednom z AEG zákazníckych centier (viď brožúru Záruka/Adresy zákazníckych centier).

Pri udaní typu stroja a čísla nachádzajúceho sa na štítku dá sa v prípade potreby vyžiadať explozivná schéma prístroja od vášho zákazníckeho centra alebo priamo v Techtronic Industries GmbH, Max-Eyth-Straße 10, 71364 Winnenden, Germany.

#### CE - VYHLÁSENIE KONFORMITY

Na našu výhradnú zodpovednosť vyhlasujeme, že produkt popísaný v časti „Technické údaje“ spĺňa všetky príslušné ustanovenia smerníc

2011/65/EU (RoHS)

2006/42/ES

2014/30/EU

a boli použité nasledovné harmonizované normy

EN 60745-1:2009 + A11:2010

EN 60745-2-3:2011 + A2:2013 + A11:2014 + A12:2014 + A13:2015

EN 55014-1:2017

EN 55014-2:2015

EN 50581:2012



Winnenden, 2018-08-16

Alexander Krug / Managing Director

Splnomocnený zostaviť technické podklady.

Techtronic Industries GmbH

Max-Eyth-Straße 10, 71364 Winnenden, Germany

## SYMBOLY



POZOR! NEBEZPEČENSTVO!



Pred prvým použitím prístroja si pozorne prečítajte návod na obsluhu.



Pri práci so strojom vždy noste ochranné okuliare.



Používajte ochranné rukavice!



Pred každou prácou na stroji výmenný akumulátor vytiahnuť.



ANTI vibračný systém



Nepoužívajte silu.



Iba na rezanie.



Iba na brúsenie.



Počas štartu a počas prevádzky nestláčajte tlačidlo zámku vretena.



Príslušenstvo - nie je súčasťou štandardnej výbavy, odporúčané doplnenie z programu príslušenstva.



Náhradný diel - Nie je súčasťou štandardného vybavenia, je k dispozícii ako náhradný diel.



Elektrické zariadenia, batérie/akumulátory sa nesmú likvidovať spolu s odpadom z domácností. Elektrické zariadenia, batérie/akumulátory treba zbierať oddelene a odovzdať ich v recyklačnom podniku na ekologickú likvidáciu. Na miestnych úradoch alebo u vášho špecializovaného predajcu sa spýtajte na recyklačné podniky a zberné dvory.

— — — Jednosmerný prúd

**V** Napätie

**n** Menovitý počet obrátok



Značka zhody v Európe

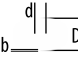
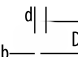
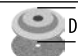



Značka zhody na Ukrajine



Značka zhody pre oblasť Eurázie



DANE TECHNICZNE	BEWS18-115BL	BEWS18-125BL
<b>Szlifierka kątowa akumulatorowa</b>		
Numer produkcyjny	4693 80 01 ... 4690 25 01 ... ... 000001-999999	4693 85 01 ... 4690 40 01 ... ... 000001-999999
Napięcie baterii akumulatorowej	18 V	18 V
Znamionowa prędkość obrotowa	11000 min <sup>-1</sup>	11000 min <sup>-1</sup>
D= Średnica tarczy ścierniej maks. d= średnica otworu obrobionego	115 mm 22,2 mm	125 mm 22,2 mm
 b= Grubość tarczy tnącej min. / maks.	1/3 mm	1/3 mm
 b= Grubość ściernicy maks.	6 mm	6 mm
 D= Średnica powierzchni szlifowania maks.	115 mm	125 mm
 D= Średnica szczotek garkowych maks.	75 mm	75 mm
Gwint wrzeciona roboczego	M 14	M 14
Ciężar wg procedury EPTA 01/2014 (Li-Ion 1,5 Ah...9,0 Ah)	2,4 kg ... 3,1 kg	2,4 kg ... 3,1 kg
Zalecana temperatura otoczenia w trakcie eksploatacji	-18°C ... +50°C	-18°C ... +50°C
Zalecane zestawy akumulatorowe	L18...	L18...
Zalecane ładowarki	AL1218... / BL 1218...	AL1218... / BL 1218...
<b>Informacja dotycząca szumów</b>		
Zmierzone wartości wyznaczone zgodnie z normą EN 60745. Poziom szumów urządzenia oszacowany jako A wynosi typowo:		
Poziom ciśnienia akustycznego (Niepewność K=3dB(A))	83dB(A)	83dB(A)
Poziom mocy akustycznej (Niepewność K=3dB(A))	84dB(A)	84dB(A)
<b>Należy używać ochroniaczy uszu!</b>		
<b>Informacje dotyczące wibracji</b>		
Wartości łączne drgań (suma wektorowa trzech kierunków) wyznaczone zgodnie z normą EN 60745		
Szlifowanie powierzchni (Li-Ion 1,5 Ah): Wartość emisji drgań a <sub>h,AG</sub>	9,4m/s <sup>2</sup>	9,4m/s <sup>2</sup>
Niepewność K=	1,5 m/s <sup>2</sup>	1,5 m/s <sup>2</sup>
Szlifowanie z użyciem krążka ściernego (Li-Ion 1,5 Ah): Wartość emisji drgań a <sub>h,DS</sub>	5,7m/s <sup>2</sup>	5,7m/s <sup>2</sup>
Niepewność K=	1,5 m/s <sup>2</sup>	1,5 m/s <sup>2</sup>

W przypadku innych zastosowań, takich jak na przykład przecinanie ściernicą lub szlifowanie za pomocą szczotki z drutu stalowego, mogą wyniknąć inne wartości wibracji!

### OSTRZEŻENIE przed wibracjami!

Podany w niniejszych instrukcjach poziom drgań został zmierzony za pomocą metody pomiarowej zgodnej z normą EN 60745 i może być użyty do porównania ze sobą elektronarzędzi. Nadaje się on również do tymczasowej oceny obciążenia wibracyjnego.

Podany poziom drgań reprezentuje główne zastosowania elektronarzędzia. Jeśli jednakże elektronarzędzie użyte zostanie do innych celów z innymi narzędziami roboczymi lub nie jest dostatecznie konserwowane, wtedy poziom drgań może wykazywać odchylenia. Może to wyraźnie zwiększyć obciążenie wibracjami przez cały okres pracy.

Dla dokładnego określenia obciążenia wibracjami należy uwzględnić również czasy, w których urządzenie jest wyłączone względnie jest włączone, lecz w rzeczywistości nie pracuje. Może to spowodować wyraźną redukcję obciążenia wibracyjnego w całym okresie pracy.

Należy wprowadzić dodatkowe środki zapobiegawcze celem ochrony obsługującego przed oddziaływaniem drgań, jak na przykład: konserwacja narzędzi roboczych i elektronarzędzi, nagrzanie rąk, organizacja przebiegu pracy.

### OSTRZEŻENIE!

**Prosimy o przeczytanie wskazówek bezpieczeństwa i zaleceń, również tych.** Błędy w przestrzeganiu poniższych wskazówek mogą spowodować porażenie prądem, pożar i/lub ciężkie obrażenia ciała.

**Należy starannie przechowywać wszystkie przepisy i wskazówki bezpieczeństwa dla dalszego zastosowania.**





#### Opis urządzenia

- |   |   |
|---|---|
| 1) Blokada trzpienia  | 7) Wyposażenie dodatkowe dostępne osobno.     |
| 2) Dodatkowa rękojść / AVS<br>Dodatkowa rękojść<br>Izolowana powierzchnia uchwytu | 8) Kołnierz                                   |
| 3) Uchwyt izolowana powierzchnia uchwytu  | 9) Nakrętka z kołnierzem /<br>Nakrętka FIXTEC |
| 4) Przełącznik włącz/wyłącz   | 10) Akumulator                                |
| 5) Osłona szlifierki  | 11) Osłona przeciwyłtowa                      |
| 6) Dźwignia blokady osłony  | 12) Osłona przecinakarki                      |

#### **INSTRUKCJE BEZPIECZEŃSTWA DLA SZLIFIEREK KĄTOWYCH**

**Wspólne wskazówki ostrzegawcze dotyczące szlifiernia, szlifierca układzina ścierna, prac z użyciem szcetek drucianych, polerowania i przecinania ściernicą:**

**a) Elektronarzędzie należy używać jako szlifierki, szlifierki z użyciem układziny ścierniej, szczotki drucianej i przecinania ściernicą. Należy przestrzegać wszystkich wskazówek ostrzegawczych, przepisów, opisów i danych, które otrzymali Państwo wraz z elektronarzędziem. Jeśli nie będą przestrzegane następujące przepisy, może dojść do porażenia prądem, pożaru i/lub ciężkich obrażeń ciała.**

**b) Niniejsze elektronarzędzie nie może być wykorzystywane do polerowania. Zastosowanie narzędzia elektrycznego do celów, do których nie jest ono przewidziane, może spowodować zagrożenia i obrażenia ciała.**

**c) Nie należy używać osprzętu, który nie jest przewidziany i polecany przez producenta specjalnie do tego urządzenia. Fakt, że osprzęt daje się zamontować do elektronarzędzia, nie jest gwarantem bezpiecznego użycia.**

**d) Dopuszczalna liczba obrotów osprzętu musi być przynajmniej tak wysoka, jak maksymalna liczba obrotów podana na urządzeniu elektrycznym. Osprzęt, który obraca się szybciej niż jest to dozwolone, może pęknąć i zostać ciśnięty w powietrze.**

**e) Średnica zewnętrzna i grubość narzędzia roboczego muszą odpowiadać wymiarom elektronarzędzia. Narzędzia robocze o niewłaściwych wymiarach nie mogą być wystarczająco osłonięte lub kontrolowane.**

**f) Gwinty części osprzętowych muszą być zgodne z gwintem wrzeciona ściernicy. W przypadku części osprzętowych, które są przykręcane za pomocą kołnierzy, otwór dla trzpienia mocującego w części osprzętowej musi być zgodny ze średnicą kołnierza lokalizacyjnego. Części osprzętowe, które nie pasują do trzpienia montażowego urządzenia, poruszają się mimochodowo, nadmiernie mocno wibrują i mogą prowadzić do utraty kontroli nad narzędziem.**

**g) W żadnym wypadku nie należy używać uszkodzonych narzędzi roboczych. Przed każdym użyciem należy skontrolować przyrządowanie, np. ściernice pod kątem odprysków i pęknięć, talerze szlifierskie pod kątem pęknięć, starcia lub silnego zużycia, szczotki druciane pod kątem luznych lub złamanych drutów. W razie upadku elektronarzędzia lub narzędzia roboczego, należy sprawdzić, czy nie uległo ono uszkodzeniu, lub użyć innego, nieuszkodzonego narzędzia. Jeśli narzędzie zostało sprawdzone i uznane za bezpieczne, elektronarzędzie należy włączyć na minutę na najwyższe obroty, zwracając przy tym uwagę, by osoba obsługująca i osoby postronne znajdujące się w pobliżu, znalazły się poza strefą obracającego się narzędzia. Uszkodzone narzędzia łamią się najczęściej w tym czasie próbnym.**

**h) Należy nosić osobiste wyposażenie ochronne. W zależności od rodzaju pracy, należy nosić maskę ochronną pokrywającą całą twarz, ochronę oczu lub okulary ochronne. W razie potrzeby należy użyć maski przeciwyłtowej, ochrony słuchu, rękawic ochronnych lub specjalnego fartucha, chroniącego przed małymi cząstkami ściernego i obrabianego materiału. Należy chronić oczy przed unoszącymi się w powietrzu ciałami obcymi, powstałymi w czasie pracy. Maskę przeciwyłtowa i ochronna drog oddechowych muszą filtrować powstający podczas pracy pył. Oddziaływanie hałasu przez dłuższy okres czasu, może doprowadzić do utraty słuchu.**

**i) Należy uważać, by osoby postronne znajdowały się w bezpiecznej odległości od strefy zasięgu elektronarzędzia. Każdy, kto znajduje się w pobliżu pracującego elektronarzędzia, musi używać osobistego wyposażenia ochronnego. Odłamki obrabianego przedmiotu lub pęknięte narzędzia robocze mogą odpryskiwać i spowodować obrażenia również poza bezpośrednio strefą zasięgu.**

**j) Trzymaj urządzenie za izolowane powierzchnie chwytne gdy wykonujesz roboty, w trakcie których narzędzie skrawające może natrafić na ukryte przewody prądowe. Styczność narzędzia skrawającego z będącym pod napięciem przewodem może spowodować podłączenie części metalowych urządzenia do napięcia i prowadzić do porażenia prądem elektrycznym.**

**k) Nigdy nie odkładaj urządzenia zanim obrotowy osprzęt całkowicie się nie zatrzyma. Obracające się narzędzie może wejść w kontakt z powierzchnią, na którą jest odłożone, przez co można stracić kontrolę nad elektronarzędziem.**

**l) Nie wolno przenosić elektronarzędzia, znajdującym się w ruchu. Przypadkowy kontakt ubrania z obracającym się narzędziem roboczym może spowodować jego wciągnięcie i wwiercenie się narzędzia roboczego w ciało osoby obsługującej.**

**m) Należy regularnie czyścić szczeliny wentylacyjne elektronarzędzia. Dmuchawa silnika wciąga kurz do obudowy, a duże nagromadzenie pyłu metalowego może spowodować zagrożenie elektryczne.**

**n) Nie należy używać elektronarzędzia w pobliżu materiałów łatwopalnych. Iskry mogą spowodować ich zapłon.**

**o) Nie należy używać narzędzi, które wymagają płynnych środków chłodzących. Użycie wody lub innych płynnych środków chłodzących może doprowadzić do porażenia prądem.**



## Odrzut i odpowiednie wskazówki bezpieczeństwa

Odrzut jest nagłą reakcją elektronarzędzia na zablokowanie lub zawadzenie obracającego się narzędzia, takiego jak ściernica, talerz szlifierski, szcotka drucziana itd. Zaczepienie się lub zablokowanie prowadzi do nagłego zatrzymania się obracającego się narzędzia roboczego. Niekontrolowane elektronarzędzie zostanie przez to szarpnięte w kierunku przeciwnym do kierunku obrotu narzędzia roboczego.

Gdy, np. ściernica zatnie się lub zakleszczy w obrabianym przedmiocie, zanurzona w materiale kraweźdź ściernicy, może się zablokować i spowodować jej wypadnięcie lub odrzut. Ruch ściernicy (w kierunku osoby obsługującej lub od niej niezależny) jest wtedy od kierunku ruchu ściernicy w miejscu zablokowania. Oprócz tego ściernice mogą się również złamać.

Odrzut jest następstwem niewłaściwego lub błędnego użycia elektronarzędzia. Można go uniknąć przez zachowanie opisanych poniżej odpowiednich środków ostrożności.

**a) Elektronarzędzie należy mocno trzymać, a ciało i ręce ustawić w pozycji, umożliwiającej złagodzenie odrzutu. Jeżeli w skład wyposażenia standardowego wchodzi uchwyty dodatkowe, należy go zawsze używać, żeby mieć jak największą kontrolę nad siłami odrzutu lub momentem odwodzącym podczas rozruchu.** Osoba obsługująca urządzenie może opanować szarpnięcia i zjawisko odrzutu poprzez zachowanie odpowiednich środków ostrożności.

**b) Nie należy nigdy trzymać rąk w pobliżu obracających się narzędzi roboczych.** Narzędzie robocze może wskutek odrzutu zranić rękę.

**c) Należy trzymać się z dala od strefy zasięgu, w której porusza się elektronarzędzie podczas odrzutu.** Na skutek odrzutu, elektronarzędzie przemieszcza się w kierunku przeciwnym do ruchu ściernicy w miejscu zablokowania.

**d) Szczególnie ostrożnie należy obrabiać narożniki, ostre krawędzie itd. Należy zapobiegać temu, by narzędzia robocze dostały odbite lub by się one zablokowały.** Obracające się narzędzie robocze jest bardziej podatne na zakleszczenie przy obróbce kątów, ostrych krawędzi lub gdy zostanie odbite. Może to stać się przyczyną utraty kontroli nad odrzutem.

**e) Nie stosować brzeszczotów do pił łańcuchowych ani zębatych.** Osprzęt tnący tego typu prowadzi często do powstawania odrzutu oraz utraty kontroli nad urządzeniem elektrycznym.

### Szczególne wskazówki bezpieczeństwa dla szlifowania i przecinania ściernicą

**a) Należy używać wyłącznie ściernicy przeznaczonej dla danego elektronarzędzia i osłony przeznaczonej dla danej ściernicy.** Ściernice nie będące oprzyrządowaniem danego elektronarzędzia nie mogą być wystarczająco osłonięte i nie są wystarczająco bezpieczne.

**b) Odknięte ściernice należy zamontować tak, aby ich powierzchnia szlifierska nie wystawała poza obrzeże osłony.** Nieprawidłowo zamontowana ściernica, która wystaje poza obrzeże osłony nie może być wystarczająco osłonięta.

**c) Należy zawsze używać osłony, która jest przeznaczona dla używanego rodzaju ściernicy. Osłona musi być dobrze przymocowana do elektronarzędzia, a jej ustawienie musi gwarantować jak największy stopień bezpieczeństwa. Oznacza to, że zwrócona do osoby obsługującej część ściernicy ma być w jak największym stopniu osłonięta.** Osłona ma chronić osobę obsługującą przed odłatkami i przypadkowym kontaktem ze ściernicą.

**d) Ściernic można używać tylko do prac dla nich przewidzianych. Nie należy np. nigdy szlifować boczna powierzchnią ściernicy tarczowej do cięcia.** Tarczowe ściernice tnące przeznaczone są do usuwania materiału kraweźdzą tarczy. Wpływ sił bocznych na te ściernice może je złamać.

**e) Do wybranej ściernicy należy używać zawsze nieuszkodzonych kołnierzy mocujących o prawidłowej wielkości i kształcie.** Odpowiednie kołnierze podpierają ściernicę i zmniejszają tym samym niebezpieczeństwo jej złamania się. Kołnierze do ściernic tnących mogą różnić się od kołnierzy przeznaczonych do innych ściernic.

**f) Nie należy używać zużytych ściernic z większych elektronarzędzi.** Ściernice do większych elektronarzędzi nie są zaprojektowane dla wyższej liczby obrotów, która jest charakterystyką mniejszych elektronarzędzi i mogą się dlatego złamać.

### Dodatkowe szczególne wskazówki bezpieczeństwa dla przecinania ściernicą

**a) Należy unikać zablokowania się tarczy tnącej lub za dużego nacisku. Nie należy przeprowadzać nadmiernie głębokich cięć.** Przeciążenie tarczy tnącej podwyższa jej obciążenie i jej skłonność do zakleszczenia się lub zablokowania i tym samym możliwość odrzutu lub złamania się tarczy.

**b) Należy unikać obszaru przed i za obracającą się tarczą tnącą.** Przesuwanie tarczy tnącej w obrabianym przedmiocie w kierunku od siebie, może spowodować, iż w razie odrzutu, elektronarzędzie odskoczy wraz z obracającą się tarczą bezpośrednio w kierunku użytkownika.

**c) W przypadku zakleszczenia się tarczy tnącej lub przerwy w pracy, elektronarzędzie należy wyłączyć i odczekać, aż tarcza całkowicie się zatrzyma. Nigdy nie należy próbować wyciągać poruszającej się jeszcze tarczy z miejsca cięcia, gdyż może to wywołać odrzut.** Należy wykręcić i usunąć przyczynę zakleszczenia się.

**d) Nie włączać ponownie elektronarzędzia, dopóki znajduje się ono w materiale. Przed kontynuacją cięcia, tarcza tnąca powinna osiągnąć swoją pełną prędkość obrotową.** W przeciwnym wypadku ściernica może się zaczepić, wyskoczyć z przedmiotu obrabianego lub spowodować odrzut.

**e) Płyty lub duże przedmioty należy przed obróbką podeprzeć, aby zmniejszyć ryzyko odrzutu, spowodowanego przez zakleszczoną tarczę.** Duże przedmioty mogą się ugiąć pod ciężarem własnym. Obrabiany przedmiot należy podeprzeć z obydwu stron, zarówno w pobliżu linii cięcia jak i przy krawędzi.

**f) Należy zachować szczególną ostrożność przy wykonywaniu „cięć dogłębnych” w istniejących ścianach lub w innych niewidocznych obszarach.** Wglębiająca się w materiał tarcza tnąca może spowodować odrzut narzędzia po natrafieniu na przewody gazowe, wodociągowe, przewody elektryczne lub inne przedmioty.

### Szczególne wskazówki bezpieczeństwa dla szlifowania papierem ściernym:

**a) Nie należy stosować zbyt wielkich arkuszy papieru ściernego.** Przy wyborze wielkości papieru ściernego, należy kierować się zaleceniami producenta. Wystający poza płytę szlifierską papier ścierny może spowodować obrażenia, a także doprowadzić do zablokowania lub rozdarcia papieru lub do odrzutu.

### Szczególne wskazówki bezpieczeństwa dla pracy z użyciem szcetek druczianych:

**a) Należy pamiętać, iż szcotka drucziana gubi kawałki drutu podczas normalnego użytkowania. Nie należy przeciągać drutów zbyt dużym dociskiem.** Odrzucone kawałki



drotu mogą bardzo łatwo przebić się przez cienkie ubranie i/lub skórę.

**b) Jeżeli zalecane jest użycie osłony, należy zapobiec kontaktowi szczotki z osłoną.** Średnica szczotek do talerzy i garnków może się zwiększyć przez siłę nacisku i siły odśrodkowe.

#### **Dodatkowe wskazówki bezpieczeństwa i instrukcje robocze**

Przed włączeniem narzędzia należy zawsze sprawdzić, czy przycisk blokady trzpienia jest całkowicie zwolniony! Po użyciu blokady trzpienia do dokręcenia / odkręcenia tarczy ścierniej może się zdarzyć, że przycisk pozostanie w pozycji zablokowanej. Może to spowodować, że narzędzie lub zabezpieczenie baterii zadziała i odłączy zasilanie urządzenia. Wyłączyć przełącznik, wyjąć baterię, a następnie ostrożnie obrócić tarczę w przód i w tył, aby zwolnić przycisk blokady trzpienia.

Uwaga: Jeśli zabezpieczenie baterii również się wyłączyło, wystarczy wyjąć baterię z narzędzia i wymienić je, resetując w ten sposób zabezpieczenie.

Przy szlifowaniu metali powstają iskry. Nie narażać na niebezpieczeństwo żadnych osób. Ze względu na zagrożenie pożarowe w pobliżu miejsca pracy (w strefie wyrzucania iskier) nie powinny się znajdować materiały palne. Nie stosować odpylaczy. Zapobiegać, aby odpryskujące iskry i pył szlifierski nie były kierowane na ciało.

Podczas pracy strugarki nie zbliżać się do strefy niebezpiecznej.

Podczas pracy elektronarzędzia nie wolno usuwać trocin ani drzazg.

Natychmiast wyłączyć elektronarzędzie w przypadku wystąpienia znacznych drgań lub w przypadku stwierdzenia innych usterek. Sprawdzić urządzenie w celu ustalenia przyczyny.

W przypadku ekstremalnych warunków zastosowania (na przykład przy szlifowaniu do gładkości metali za pomocą talerzy oporowych oraz krążków ściernych z fibry) może dojść do silnego zanieczyszczenia wnętrza szlifierki ręcznej z końcówką kątową.

Nie dopuszczać do przedostawania się części metalowych do szczelin powietrznych - niebezpieczeństwo zwarcia!

**OSTRZEŻENIE!** Aby uniknąć niebezpieczeństwa pożaru, obrażeń lub uszkodzeń produktu na skutek zwarcia, nie wolno zanurzać narzędzia, akumulatora wymiennego ani ładowarki w cieczach i należy zatroszczyć się o to, aby do urządzeń i akumulatorów nie dostały się żadne ciecze. Zwarcie spowodować mogą korodujące lub przewodzące ciecze, takie jak woda morską, określone chemikalia i wybielacze lub produkty zawierające wybielacze.

Nie otwierać wkładek akumulatorowych i ładowarek.

Przechowywać w suchych pomieszczeniach. Chronić przed wilgocią.

Akumulatory Systemu GBS należy ładować wyłącznie przy pomocy ładowarek Systemu GBS. Nie ładować przy pomocy tych ładowarek akumulatorów innych systemów.

#### **ZAGROŻENIA RESZTKOWE**

Nawet ściśle przestrzeganie zaleceń stosowania szlifierki kątowej nie powoduje całkowitego wyeliminowania pewnych szczątkowych czynników ryzyka. Mogą wystąpić niżej wymienione zagrożenia; operator powinien zwrócić szczególną uwagę, aby uniknąć następujących sytuacji:

**Obrażenia spowodowane przez cząstki odrzucane przez piłę.**

Cząsteczki metalu lub materiału ściernego mogą dostać się do oczu i spowodować poważne, trwałe uszkodzenia.

Należy nosić okulary ochronne dopuszczone do stosowania podczas szlifowania przy każdym użyciu produktu

#### **Obrażenia spowodowane przez wibrację piły.**

Ograniczenie narażenia. Patrz OSTRZEŻENIE przed wibracjami!

#### **Obrażenia spowodowane przez pył.**

Nosić odpowiednie maski przeciwpyłowe z filtrami, które chronią przed cząstkami pochodzącymi z obrabianego materiału oraz przed cząstkami ściernymi z tarczy szlifierskiej.

Nie jeść, nie pić ani nie palić papierosów w obszarze roboczym. Zapewnić odpowiednią wentylację.

#### **Obrażenia spowodowane przez kontakt z tarczą szlifierską.**

Podczas pracy tarcza i przedmiot obrabiany nagrzewają się do wysokiej temperatury. Podczas wymiany tarcz lub dotykania obrabianego przedmiotu należy nosić rękawice. Zawsze trzymać ręce z dala od miejsca obróbki szlifierskiej.

W miarę możliwości zamocować przedmiot obrabiany.

#### **Obrażenia spowodowane przez hałas.**

Długotrwałe narażenie na hałas zwiększa ryzyko uszkodzenia słuchu, a jego skutki narastają. Przy długotrwałym użytkowaniu elektronarzędzi należy nosić środki ochrony słuchu.

Urazy mogą być spowodowane lub pogłębić się w wyniku długotrwałego używania narzędzia. Korzystając z dowolnego narzędzia przez dłuższy czas, należy robić regularne przerwy.

#### **WARUNKI UŻYTKOWANIA**

Szlifierka kątowa przeznaczona jest do szlifowania i cięcia metalu, kamienia, betonu i materiałów ceramicznych oraz do wygładzania i czyszczenia szczotką drucianą.

Używaj nakładki tnącej z oferty akcesoriów do zastosowań tnących.

W razie wątpliwości przestrzegaj wskazówek producenta osprzętu.

Elektronarzędzie nadaje się tylko do obróbki na sucho.

Na szlifierce kątowej należy mocować tylko odpowiednie tarcze szlifierskie lub tnące z odpowiednimi osłonami (osłona szlifierska lub przecinarki), zgodnie z opisem w rozdziale dotyczącym specyfikacji produktu w niniejszej instrukcji. Szlifierka kątowa jest przeznaczona do użytku ręcznego. Nie wolno jej montować w uchwycie ani na stole warsztatowym.

Nie należy używać produktu w inny sposób niż zgodny z jego przeznaczeniem.

#### **WSKAZÓWKI DOTYCZĄCE UŻYTKOWANIA**

W przypadku elektronarzędzi, które mają współpracować z tarczą z otworem gwintowanym należy sprawdzić czy długość gwintu w tarczy odpowiada długości wrzeciona.

Tarcze szlifierskie i tnące należy zawsze stosować i przechowywać zgodnie z zaleceniami producenta.

Przy obróbce zgrubnej i przecinaniu należy zawsze używać osłony na twarz.

Odgnięte ściernice należy zamontować tak, aby ich powierzchnia szlifierska nie wystawała poza obrzeże osłony.

Przed uruchomieniem urządzenia należy dokręcić nakrętkę regulacyjną.

Posługiwać się zawsze uchwytem dodatkowym.

Jeśli ciężar własny obrabianego przedmiotu nie pozwala jego unieruchomienie, to należy go zamocować. W żadnym wypadku nie wolno przedmiotu obrabianego prowadzić względem tarczy.

#### **BATERIE AKUMULATOROWE**

W temperaturze powyżej 50°C następuje spadek osiągniętych wkładki akumulatorowej. Unikać długotrwałego



wystawienia na oddziaływanie ciepła lub promieni słonecznych (niebezpieczeństwo przegrzania).

Styki ładowarek i wkładek akumulatorowych należy utrzymywać w czystości

Dla zapewnienia optymalnej żywotności akumulatory po użyciu należy naładować do pełnej pojemności. Akumulatory, które nie były przez dłuższy czas użytkowane, należy przed użyciem naładować.

Dla zapewnienia możliwie długiej żywotności akumulatory należy wyjąć z ładowarki po ich naładowaniu.

W przypadku składowania akumulatorów dłużej aniżeli 30 dni, Przechowywać je w suchym miejscu w temperaturze ok. 27°C., Przechowywać je w stanie naładowanym do ok. 30% - 50%, Ładować je ponownie co 6 miesięcy.

Zużytych akumulatorów nie wolno wrzucać do ognia ani traktować jako odpadów domowych. AEG oferuje ekologiczną utylizację zużytych akumulatorów.

Nie przechowywać akumulatorów wraz z przedmiotami metalowymi (niebezpieczeństwo zwarcia).



Pol

#### ZABEZPIECZENIE PRZECIĄŻENIOWE AKUMULATORA

W przypadku przeciążenia akumulatora na skutek zbyt dużego poboru prądu, np. nadzwyczaj wysokich momentów obrotowych, zakleszczenie narzędzia roboczego, gwałtownego zatrzymania lub zwarcia, elektronarzędzie zatrzyma się w ciągu 2 sekund i samoczynnie się wyłączy. Aby zresetować, wystarczy wyjąć baterie z narzędzia i wymienić je.

Przy ekstremalnych obciążeniach akumulator nagrzewa się za mocno. W takim przypadku wszystkie lampki wskaźnika ładowania migają tak długo, aż akumulator ochłodzi się. Po zgaśnięciu wskaźnika ładowania można kontynuować pracę. Wówczas należy wetknąć akumulator do ładowarki, aby go ponownie naładować i aktywować.

#### TRANSPORT AKUMULATORÓW LITOWO-JONOWYCH

Akumulatory litowo-jonowe podlegają ustawowym przepisom dotyczącym transportu towarów niebezpiecznych.

Transport tych akumulatorów winien odbywać się przy przestrzeganiu lokalnych, krajowych i międzynarodowych rozporządzeń i przepisów.

Odbiorcom nie wolno transportować tych akumulatorów po drogach o tak po prostu.

Komercyjny transport akumulatorów litowo-jonowych przez przedsiębiorstwa spedycyjne podlega przepisom dotyczącym transportu towarów niebezpiecznych. Przygotowania do wysyłki oraz transport mogą być wykonywane wyłącznie przez odpowiednio przeszkolone osoby. Cały proces winien odbywać się pod fachowym nadzorem.

W czasie transportu akumulatorów należy przestrzegać następujących punktów:

Celem uniknięcia zwarcia należy upewnić się, że zestyki są zabezpieczone i zaizolowane. Zwracać uwagę na to, aby zespół akumulatorów nie mógł się przemieszczać we wnętrzu opakowania. Nie wolno transportować akumulatorów uszkodzonych lub z wyciekającym z elektrolitem. Odnośnie dalszych wskazań należy zwrócić się do swojego przedsiębiorstwa spedycyjnego.

#### ZABEZPIECZENIE PRZED PONOWNYM URUCHOMIENIEM

Wyłącznik napięcia zerowego uniemożliwia ponowne uruchomienie maszyny po przerwaniu zasilania prądowego (wymiana akumulatora).

Przy ponownym podjęciu pracy należy wyłączyć i ponownie włączyć maszynę.

#### LAGODNEGO ROZRUCHU

Bezpieczna obsługa dzięki elektronicznej funkcji łagodnego rozruchu zapobiegająca szarpnięciom.

#### UTRZYMANIE I KONSERWACJA

Przed przystąpieniem do jakichkolwiek prac na elektronarzędziu należy wyjąć wkładkę akumulatorową.

Otwory wentylacyjne elektronarzędzia muszą być zawsze drożne.

Należy stosować wyłącznie wyposażenie dodatkowe i części zamienne AEG. W przypadku konieczności wymiany części, dla których nie podano opisu, należy skontaktować się z przedstawicielami serwisu AEG (patrz lista punktów obsługi gwarancyjnej/serwisowej).

Na życzenie można otrzymać rysunek widoku zespołu rozebranego. Przy zamawianiu należy podać numer oraz typ elektronarzędzia umieszczony na tabliczce znamionowej. Zamówienia można dokonać albo u lokalnych przedstawicieli serwisu, albo bezpośrednio w Techtronic Industries GmbH, Max-Eyth-Straße 10, 71364 Winnenden, Germany.

#### DEKLARACJA ZGODNOŚCI CE

Oświadczamy na naszą wyłączną odpowiedzialność, że produkt opisany pod „Dane techniczne” spełnia wszystkie istotne przepisy dyrektyw  
2011/65/UE (RoHS)  
2006/42/WE  
2014/30/UE  
i zastosowano następujące zharmonizowane normy  
EN 60745-1:2009 + A11:2010  
EN 60745-2-3:2011 + A2:2013 + A11:2014 + A12:2014 + A13:2015  
EN 55014-1:2017  
EN 55014-2:2015  
EN 50581:2012



Winnenden, 2018-08-16

Alexander Krug / Managing Director  
Upelnomocniony do zestawienia danych technicznych  
Techtronic Industries GmbH  
Max-Eyth-Straße 10, 71364 Winnenden, Germany

## SYMBOLE



UWAGA! OSTRZEŻENIE NIEBEZPIECZEŃSTWO!



Przed uruchomieniem elektronarzędzia zapoznać się uważnie z treścią instrukcji.



Podczas pracy należy zawsze nosić okulary ochronne.



Nosić rękawice ochronne!



Przed przystąpieniem do jakichkolwiek prac na elektronarzędziu należy wyjąć wkładkę akumulatorową.



System antywibracyjny



Nie używać siły.



Tylko do cięcia.



Tylko do szlifowania.



Nie naciskać przycisku blokady trzpienia podczas uruchamiania i pracy.



Wyposażenie dodatkowe dostępne osobno.



Część zamienna – nie wchodzi w skład standardowego wyposażenia, dostępna jako część zamienna.



Urządzenia elektryczne, baterie/akumulatory nie mogą być usuwane razem z odpadami pochodzącymi z gospodarstw domowych. Urządzenia elektryczne i akumulatory należy gromadzić oddzielnie i w celu usuwania ich do odpadów zgodnie z wymaganiami środowiska naturalnego oddawać do przedsiębiorstwa utylizacyjnego. Proszę zasięgnąć informacji o centrach recyklingowych i punktach zbiorczych u władz lokalnych lub u wyspecjalizowanego dostawcy.



Prąd stały

V

Napięcie

n

Znamionowa prędkość obrotowa



Europejski Certyfikat Zdgodności

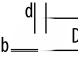
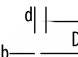
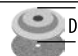



Ukraiński Certyfikat Zdgodności



Euroazjatycki Certyfikat Zdgodności



MŰSZAKI ADATOK Akkumulátors sarokcsiszoló	BEWS18-115BL	BEWS18-125BL
Gyártási szám	4693 80 01 ... 4690 25 01 ... ... 000001-999999	4693 85 01 ... 4690 40 01 ... ... 000001-999999
Akkumulátor feszültség	18 V	18 V
Névleges fordulatszám	11000 min <sup>-1</sup>	11000 min <sup>-1</sup>
D= Csiszolótárcsa- $\emptyset$ max. d= furat $\emptyset$  b= A vágókorong átmérője min. / max.  b= Csiszolókorong vastagság max.	115 mm 22,2 mm 1/3 mm	125 mm 22,2 mm 1/3 mm
 D= Csiszolófelület $\emptyset$ max.	115 mm	125 mm
 D= Fazékkéfe $\emptyset$ max.	75 mm	75 mm
Tengelymenet	M 14	M 14
Súly a 01/2014 EPTA-eljárás szerint (Li-Ion 1,5 Ah...9,0 Ah)	2,4 kg ... 3,1 kg	2,4 kg ... 3,1 kg
Üzemeléshez ajánlott környezeti hőmérséklet	-18°C ... +50°C	-18°C ... +50°C
Ajánlott akkusomagok	L18...	L18...
Ajánlott töltőkészülékek	AL1218... / BL 1218...	AL1218... / BL 1218...
<b>Zajinformáció</b> A közölt értékek megfelelnek az EN 60745 szabványnak. A készülék munkahelyi zajszintje tipikusan: Hangnyomás szint (K bizonytalanság=3dB(A)) Hangteljesítmény szint (K bizonytalanság=3dB(A))		
	83dB(A) 84dB(A)	83dB(A) 84dB(A)
<b>Hallásvédő eszköz használata ajánlott!</b>		
<b>Vibráció-információk</b> Összesített rezgésértékek (három irány vektoriális összeg az EN 60745-nek megfelelően meghatározva).		
Felületcsiszolás (Li-Ion 1,5 Ah): rezgésemisszió érték $a_{h,AG}$ K bizonytalanság	9,4m/s <sup>2</sup> 1,5 m/s <sup>2</sup>	9,4m/s <sup>2</sup> 1,5 m/s <sup>2</sup>
Csiszolás csiszolóval (Li-Ion 1,5 Ah): rezgésemisszió érték $a_{h,DS}$ K bizonytalanság	5,7m/s <sup>2</sup> 1,5 m/s <sup>2</sup>	5,7m/s <sup>2</sup> 1,5 m/s <sup>2</sup>

Más alkalmazás, pl. darabolás vagy az acél drótkéfével végzett csiszolás esetén más vibrációs értékek adódhatnak!

### FIGYELMEZTETÉS vibrációra!

A jelen utasításokban megadott rezgésszint értéke az EN 60745-ben szabályozott mérési eljárásnak megfelelően került leérésre, és használható elektromos szerszámokkal történő összehasonlításhoz. Az érték alkalmas a rezgésterhelés előzetes megbecsülésére is. A megadott rezgésszint-érték az elektromos szerszám legfőbb alkalmazásait reprezentálja. Ha az elektromos szerszámot azonban más alkalmazásokhoz, eltérő használt szerszámokkal vagy nem elegendő karbantartással használják, a rezgésszint értéke eltérő lehet. Ez jelentősen megnövelheti a rezgésterhelést a munkavégzés teljes időtartama alatt.

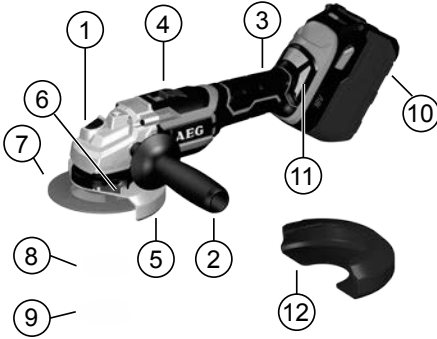
A rezgésterhelés pontos megbecsüléséhez azokat az időket is figyelembe kell venni, melyekben a készülék lekapcsolódik, vagy ugyan működik, azonban ténylegesen nincs használatban. Ez jelentősen csökkentheti a rezgésterhelést a munkavégzés teljes időtartama alatt. Határozzon meg további biztonsági intézkedéseket a kezelő védelmére a rezgések hatása ellen, például: az elektromos és a használt szerszámok karbantartásával, a kezek melegen tartásával, a munkafolyamatok megszervezésével.

## **▲ FIGYELMEZTETÉS!**

Olvasson el minden biztonsági útmutatást és utasítást.

A következőkben leírt előírások betartásának elmulasztása áramütésekhez, tűzhöz és/vagy súlyos testi sérülésekhez vezethet.

**Kérjük a későbbi használatra gondosan őrizze meg ezeket az előírásokat.**



### **Eszközleírás**

- |   |   |    |                            |
|---|---|----|----------------------------|
| 1 | Órsőretesz  | 6  | Burkolat rögzítő karja     |
| 2 | Kiegészítő fogantyú / AVS Kiegészítő fogantyú Szigetelt fogófelület | 7  | Tartozékokat               |
| 3 | Fogantyú Szigetelt fogófelület                                      | 8  | Perem                      |
| 4 | Be-/kikapcsológomb  | 9  | Peremes anya / FIXTEC anya |
| 5 | Csiszoló burkolat   | 10 | Akkumulátor                |
|   |   | 11 | Porvédő rács               |
|   |   | 12 | Vágó burkolat              |

## **▲ BIZTONSÁGI TUDNIVALÓK SAROKCSISZOLÓHOZ**

**Közös figyelmeztető tájékoztató a csiszolószárhoz, csiszolópapírral végzett csiszolószárhoz, a drótkéfével végzett munkákhoz, polírozáshoz és daraboláshoz:**

**a) Ez az elektromos kéziszerszám csiszológépként, csiszolópapíros csiszológépként, drótkéféként és daraboló csiszológépként használható.. Ügyeljen minden figyelmeztető jelzésre, előírásra, ábrára és adatra, amelyet az elektromos kéziszerszámmal együtt megkapott. Ha nem tartja be a következő előírásokat, akkor ez áramütéshez, tűzhöz és/vagy súlyos személyi sérülésekhez vezethet.**

**b) Ez az elektromos szerszám nem alkalmas polírozásra.** Az elektromos szerszám olyan használata, amely nem felel meg a rendeltetésének, veszélyeket és sérüléseket okozhat.

**c) Ne használjon olyan tartozékokat, amelyeket a gyártó ehhez az elektromos kéziszerszámmal nem irányított elő és nem javasolt.** Az a tény, hogy a tartozékokat rögzíteni tudja az elektromos kéziszerszámmal, nem garantálja annak biztonságos alkalmazását.

**d) Az alkalmazott szerszámalkatrész megengedett fordulatszámának legalább annyianak kell lennie, mint az elektromos szerszámmal megadott legnagyobb fordulatszám.** Az olyan tartozék, ami a megengedett fordulatszámnál gyorsabban forog, eltörhet vagy lerepülhet.

**e) A betétszerszám külső átmérőjének és vastagságának meg kell felelnie az Ön elektromos kéziszerszámmal megadott méreteknél.** A hibásan méretezett betétszerszámok nem lehet megfelelően eltakarítani, vagy irányítani.

**f) A tartozékok menetének egyeznie kell a köszörőrősrő menetével.** Olyan tartozékoknál, amelyek peremesen illeszkednek, a befogótüskéhez való furatnak a tartozékban egyeznie kell a pozicionáló csőkarima átmérőjével. Azok a tartozékok, amelyek nem illesznek a készülék szerelőtüskéjére, excentrikusan mozognak, túlságosan erősen vibrálnak, és a szerszám feletti kontroll elvesztését eredményezhetik.

**g) Ne használjon megrongálódott betétszerszámokat.**

**Vizsgálja meg minden egyes használat előtt a betétszerszámokat: ellenőrizze, nem pattogzott-e le és nem repedt-e meg a csiszolókorong, nincs-e eltörve, megrepedve, vagy nagy mértékben elhasználódva a csiszoló tányér, nincsenek-e a drótkéfében kilazult, vagy eltört drótok. Ha az elektromos kéziszerszám vagy a betétszerszám leesik, vizsgálja felül, nem rongálódott-e meg, vagy használjon egy hibátlan betétszerszámot. Miután ellenőrizte, majd behelyezte a készülékbe a betétszerszámot, tartózkodjon Ön sajátmaga és minden más a közelben található személy is a forgó betétszerszám síkján kívül és járassa egy percig az elektromos kéziszerszámot a legnagyobb fordulatszámmal. A megrongálódott betétszerszámok ezalatt a próbaidő alatt általában már széttörnek.**

**h) Viseljen személyi védőfelszerelést. Használjon az alkalmazásnak megfelelő teljes védőálarcot, szemvédőt vagy védőszemüveget. Amennyiben célszerű, viseljen porvédő álarcot, zajtompító fülvédőt, védő kesztyűt vagy különleges kötényt, amely távol tartja a csiszolószerszám- és anyagreszecskéket.** Mindenképpen védje meg a szemét a kirepülő idegen anyagoktól, amelyek a különböző alkalmazások során keletkeznek. A por- vagy védőálarcnak meg kell szűrnie a használat során keletkező port. Ha hosszú ideig ki van téve az erős zaj hatásának, elvesztheti a hallását.

**i) Ügyeljen arra, hogy a többi személy biztonságos távolságban maradjon az Ön munkaterületétől. Minden olyan személynek, aki belép a munkaterületre, személyi védőfelszerelést kell viselnie. A munkadarab letört részei vagy a szét tört betétszerszámok kirepülhetnek és a közvetlen munkaterületen kívül és személyi sérülést okozhatnak.**

**j) A készüléket a szigetelt markolatfelületeket fogva tartsa, ha olyan munkálatokat végez, melyeknél a vágószerszám rejtett elektromos vezetékbe.** A vágószerszám feszültségvezető vezetékkel való érintkezésekor a készülék fém részei is feszültség alá kerülhetnek, és elektromos áramütés következhet be.

**k) Ne tegye le soha addig az elektromos szerszámot, amíg a mozgó szerszámrész nem áll teljesen.** A forgásban lévő betétszerszám megérintheti a támasztó felületet, és Ön ennek következtében könnyen elvesztheti az uralmát az elektromos kéziszerszám felett.

**l) Ne járassa az elektromos kéziszerszámot, miközben azt a kezében tartja.** A forgó betétszerszám egy véletlen érintkezés során bekaphatja a ruháját és a betétszerszám belefűrődhat a testébe.

**m) Tisztítsa meg rendszeresen az elektromos kéziszerszám szellőzőnyílásait.** A motor ventilátora beszívja a port a házba, és nagyobb mennyiségű fémport felhalmozódása elektromos veszélyekhez vezethet.

**n) Ne használja az elektromos kéziszerszámot éghető anyagok közelében.** A szikrák ezeket az anyagokat meggyújtják.



**Mag**

**o) Ne használjon olyan betétszámokat, amelyek alkalmaszázhoz folyékony hűtőanyagra van szükség. Víz és egyéb folyékony hűtőanyagok alkalmazása áramütéshez vezethet.**

### Visszarugás és megfelelő figyelmeztető tájékoztatók

A visszarugás a beékelődő vagy leblokkoló forgó betétszám, például csiszolókorong, csiszoló tányér, drótkefe stb. hirtelen reakciója. A beékelődés vagy leblokkolás a forgó betétszám hirtelen leállításához vezet. Ez az irányítatlan elektromos kéziszerszámot a betétszámának a leblokkolási ponton fennálló forgási irányával szembeni irányban felgyorsítja.

Ha például egy csiszolókorong beékelődik, vagy leblokkol a megmunkálásra kerülő munkadarabban, a csiszolókorongnak a munkadarabra bemerülő élé leáll és így a csiszolókorong kiugorhat vagy egy visszarugás okozhat. A csiszolókorong ekkor a korongnak a leblokkolási pontban fennálló forgásirányától függően a kezelő személy felé, vagy attól távolodva mozog. A csiszolókorongok ilyenkor el is törhetnek.

Ha visszarugás az elektromos kéziszerszám hibás vagy helytelen használatának következménye. Ezt az alábbiakban leírásra kerülő megfelelő óvatossági intézkedésekkel meg lehet gátolni.

**a) Tartsa szorosan fogva az elektromos kéziszerszámot, és hozza a testét és a karjait olyan helyzetbe, amelyben fel tudja venni a visszautó erőket. Használja mindig a pótfogantyút, amennyiben létezik, hogy a lehető legjobban tudjon uralkodni a visszarugási erők, illetve felfutáskor a reakciós nyomatok felett.** A kezelő személy megfelelő óvatossági intézkedésekkel uralkodni tud a visszarugási és reakcióerők felett.

**b) Sohase vigye a kezét a forgó betétszám közelébe.** A betétszám egy visszarugás esetén a kezéhez érhet.

**c) Kerülje el a testével azt a tartományt, ahová egy visszarugás az elektromos kéziszerszámot mozgatja.** A visszarugás az elektromos kéziszerszámot a csiszolókorongnak a leblokkolási pontban fennálló forgásirányával ellentétes irányba hajtja.

**d) A sarkok és élek közelében különösen óvatosan dolgozon, akadályozza meg, hogy a betétszám lepattanjon a munkadarabról, vagy beékelődjön a munkadarabra. A forgó betétszám a sarkoknál, éléknél és lepattanás esetén könnyen beékelődik.** Ez a készülék feletti uralom elvesztéséhez, vagy egy visszarugáshoz vezet.

**e) Ne használjon láncfűrészlapot vagy fogazott fűrészlapot.** Az ilyen szerszámalkatrészek gyakran visszacsapódást okoznak, vagy ahhoz vezetnek, hogy kontrollálhatatlanná válik az elektromos szerszám.

### Külön figyelmeztetések és tájékoztató a csiszoláshoz és daraboláshoz

**a) Kizárólag az Ön elektromos kéziszerszámahoz engedélyezett csiszolótesteket és az ezen csiszolótestekhez előírt védőbúrákat használja.** A nem az elektromos kéziszerszámhoz szolgáló csiszolótesteket nem lehet kielégítő módon letakarni és ezért ezek nem biztonságosak.

**b) A hajlított csiszolókorongokat úgy kell felszerelni, hogy a csiszolófelületük ne érjen túl a védőburkolat szélének síkján.** A szakszerűtlenül felszerelt csiszolókorong, amely túlnyúlik a védőburkolat szélének síkján, nem fedhető el megfelelő mértékben.

**c) Mindig csak azt a védőbúrát használja, amely az Ön által beszerelt csiszolótesthez van előirányozva. A védőbúrát biztonságosan kell felszerelni az elektromos kéziszerszámra és úgy kell beállítani, hogy az a lehető legnagyobb biztonságot**

**nyújtsa, vagyis a csiszolótestnek csak a lehető legkisebb része mutasson a kezelő felé.** A védőbúrának meg kell óvnia a kezelőt a letörött, kirepülő daraboktól és a csiszolótest véletlen megérintésétől.

**d) A csiszolótesteket csak az azok számára javasolt célokra szabad használni.** Például: Sohase csiszolra egy hasítókorong oldalsó felületével. A hasítókorongok arra vannak méretezve, hogy az anyagot a korong élével munkálják le. Az ilyen csiszolótestekre ható oldalirányú erő a csiszolótest töréséhez vezethet.

**e) Használjon mindig hibátlan, az Ön által választott csiszolókorongnak megfelelő méretű és alakú befogókarimát.** A megfelelő karimák megtámasztják a csiszolókorongot és így csökkentik a csiszolókorong eltörésének veszélyét. A hasítókorongokhoz szolgáló karimák különbözők lehetnek a csiszolókorongok számára szolgáló karimáktól.

**f) Ne használjon nagyobb elektromos kéziszerszámokhoz szolgáló elhasznált csiszolótesteket.** A nagyobb elektromos kéziszerszámokhoz szolgáló csiszolókorongok nincsenek a kisebb elektromos kéziszerszámok magasabb fordulatszámára méretezve és széttörhetnek.

### További különleges figyelmeztető tájékoztató a daraboláshoz

**a) Kerülje el a hasítókorong leblokkolását, és ne gyakoroljon túl erős nyomást a készülékre. Ne végezzen túl mély vágást.** A túlterhelés megnöveli a csiszolótest igénybevételeit és beékelődési vagy leblokkolási hajlamát és visszarugáshoz vagy a csiszolótest töréséhez vezethet.

**b) Kerülje el a forgó hasítókorong előtti és mögötti tartományt.** Ha a hasítókorongot a munkadarabban magától eltávolodva mozgatja, akkor az elektromos kéziszerszám a forgó koronggal visszarugás esetén közvetlenül Ön felé pattan.

**c) Ha a hasítókorong beékelődik, vagy ha Ön megszakítja a munkát, kapcsolja ki az elektromos kéziszerszámot és tartsa azt nyugodtan, amíg a korong teljesen leáll. Sohase próbálja meg kihúzni a még forgó hasítókorongot a védőbúrától, mert ez visszarugáshoz vezethet.** Határozza meg és hártsa el a beékelődés okát.

**d) Addig ne kapcsolja ismét be az elektromos kéziszerszámot, amíg az még benne van a munkadarabban. Várja meg, amíg a hasítókorong eléri a teljes fordulatszámát, mielőtt óvatosan folytatná a vágást.** A korong ellenkező esetben beékelődhet, kiugorhat a munkadarabból, vagy visszarugáshoz vezethet.

**e) Támassa fel a lemezeket vagy nagyobb munkadarabokat, hogy csökkentse egy beékelődő hasítókorong következtében fellépő visszarugás kockázatát.** A nagyobb munkadarabok saját súlyuk alatt meghajolhatnak. A munkadarabot mindkét oldalán, és mind a vágási vonal közelében, mind a szélénél alá kell támasztani.

**f) Különösen óvatosan kell eljárni, ha meglévő falakba vagy más nem belátható területeken „zsebek vágunk”.** Az anyagba behatoló hasítókorong gáz- vagy vízvezetékbe, elektromos vezetékbe vagy más tárgyba ütközhet, amelyek visszarugást okozhatnak.

### Külön figyelmeztetések és tájékoztató a csiszolópapír alkalmazásával történő csiszoláshoz:

**a) Ne használjon túl nagy csiszolólapokat, hanem kizárólag a gyártó által előírt méretet.** A csiszoló tányéron túl kifelé csiszolólapok személyi sérülést okozhatnak, valamint a csiszolólapok leblokkolásához, szétépedéséhez, vagy visszarugáshoz vezethetnek.





## **Külön figyelemztetések és tájékoztató a drótkéfevel végzett munkákhoz:**

**a) Vegye figyelembe, hogy a drótkefe szokásos használat esetén is veszít drótdarabokat. Túl erős rányomással ne terhelje túl a drótkat.** A szétrepülő drótdarabok nagyon könnyen áthatolhatnak a vékony ruházaton és/vagy a bőrön.

**b) Ha egy védőbúrát célszerű alkalmazni, akadályozza meg, hogy a védőbúra és a drótkefe megérintse egymást.** A tányér- és csészعالakú kefék átmérője a berendezésre gyakorolt nyomás és a centrifugális erők hatására megnövekedhet.

## **További biztonsági és munkavégzési utasítások**

A szerszám bekapcsolása előtt mindig ügyeljen arra, hogy az orsó-retesz gomb teljesen ki legyen olvadva! Ha az orsóreteszt a csiszolókorong megszorításához/-lazításához használja, előfordulhat, hogy a gomb zárt állásban ragad. Eközben működbe léphet a szerszám- vagy akkumulátorvédelem, előidézve a szerszám áramtalanítását. Kapcsolja ki a kapcsolót, vegye ki az akkumulátort, majd óvatosan nyomja hátra és előre a korongot az orsóretesz gomb kioldásához. Megjegyzés: Ha az akkumulátorvédelem is aktiválásra került, egyszerűen vegye ki az akkumulátorsomagot a szerszámból, és cserélje ki – ezáltal a védelmi funkció visszaáll.

Fémek csiszolásakor szikra keletkezhet. Ügyeljen a közelben tartózkodó személyek testi épségére, illetve a gyúlékony anyagokat távolítsa el a munkaterületről. Ne használjon porszívót.

Kerülje el, hogy a szikrahullás és a csiszoláskor keletkező por a testével érintkezzen.

A működő készülék munkaterületére nyúlni balesetveszélyes és tilos.

A munka közben keletkezett forgácsokat, szilánkokat, törmelékét, stb. csak a készülék teljes leállása után szabad a munkaterületről eltávolítani.

A készüléket azonnal ki kell kapcsolni, ha szokatlanul erős rezgés vagy más, hibára utaló jelenség lépne fel. Vizsgálja meg a készüléket, hogy mi lehet a helytelen működés oka.

Rendkívüli körülmények közötti használat esetén (pl. fémek támasztó tányérral és vulkánfibrer-csiszolókoronggal történő simára csiszolásakor) erős szennyeződés keletkezhet a sarokcsiszoló belsejében.

Rövidzárlat veszélye miatt a szellőzőnyílásokba nem kerülhetnek fémdarabkák.

**FIGYELMEZTETÉS!** A rövidzárlat általi tűz, sérülések vagy termékkárosodások veszélye elkerülésére ne merítse a szerszámot, a cserélhető akkurt vagy a töltőkészüléket folyadékokba, és gondoskodjon arról, hogy ne hatoljanak folyadékok a készülékekbe és az akkuba. A korrózió hatású vagy vezetőképes folyadékok, mint pl. a sós víz, bizonyos vegyi anyagok, fehérítők vagy fehérítő tartalmú termékek, rövidzárlatot okozhatnak.

Az akkumulátort, töltőt nem szabad megbontani és kizárólag száraz helyen szabad tárolni. Nedvességtől óvni kell.

Az GBS elnevezésű rendszerhez tartozó akkumulátorokat kizárólag a rendszerhez tartozó töltővel töltsse fel. Ne használjon más rendszerbe tartozó töltőt.

## **FENNMARADÓ VESZÉLYEK**

Még akkor sem lehet teljesen kizárni egyes kockázati tényezőket, ha a sarokcsiszolót az előírásoknak megfelelően használja. Az alábbi veszélyek léphetnek fel, amelyek elkerülésére a kezelőnek különös figyelmet kell fordítania:

## **Kilöködött szemcsék okozta sérülés.**

A fém- vagy csiszolószemcsék a szembe jutva tartósan súlyos károsodást okozhatnak.

A termék használata során viseljen csiszolási műveletekhez jóváhagyott védőszemüveget

## **Vibráció okozta sérülés.**

Korlátozza a kitettséget. Lásd a „FIGYELMEZTETÉS vibrációra!” részt!

## **Por okozta sérülés.**

Viseljen megfelelő, a megmunkált anyagból távozó szemcsék és a csiszolókorong szemcséi ellen védelmet nyújtó szűrővel ellátott porvédő maszkot.

Ne étkezzen, ne igyon és ne dohányozzon a munkaterületen. Biztosítson megfelelő szellőzést.

## **A csiszolókoronggal való érintkezésnek tulajdonítható sérülés.**

A korong és a munkadarab használat közben felforrósodik. Korongcsere és a munkadarabbal való érintkezés esetén viseljen védőkesztyűt. A kezét mindig tartsa távol a csiszolási területtől.

Lehetőség szerint rögzítse a munkadarabot.

## **Zaj okozta sérülés.**

A zajnak való tartós kitettség növeli a halláskárosodás kockázatát, és a hatások összegződnek. A gépi szerszám tartós használata esetén viseljen hallásvédő eszközt.

Adott szerszám hosszabb idejű vagy halmozódó használata sérüléseket okozhat. Iktasson be rendszeresen szüneteket, ha bármelyik szerszámot hosszabb ideig használja.

## **RENDELTESSZERŰ HASZNÁLAT**

A sarokcsiszoló fém, kő, beton és kerámia anyagok köszörülésére és vágására, valamint csiszolásra és drótkéfézésre szolgál.

Vágási alkalmazásokhoz a tartozékok közül használja a vágóapákat. Kétséges esetben fi gyelembe kell venni a tartozék gyártójának útmutatásait.

Az elektromos szerszám csak száraz megmunkálásra alkalmas.

A sarokcsiszolóra kizárólag a jelen kézikönyv termékleírás részében leírtaknak megfelelő csiszoló- vagy vágókorongot, valamint védőburkolatot (csiszolás- vagy vágóvédelmi burkolat) szabad felszerelni. A sarokcsiszoló kézi használatra szánt eszköz, szerelvényre vagy munkapadra nem szabad felszerelni. A terméket csak rendeltetészerűen használja.

## **A HASZNÁLATRA VONATKOZÓ ÚTMUTATÁSOK**

Azoknál a szerszámoknál amelyeket metenes csiszolókkal kíván használni, győződjön meg róla, hogy a csiszoló elég hosszú ahhoz, hogy elfogadja a tengely hosszát.

A vágó- és csiszolókorongokat mindig a gyártó útmutatásainak megfelelően kell használni és tárolni.

Köszörüléshez és vágáshoz a védőburkolatot mindig használni kell.

A hajlított csiszolókorongokat úgy kell felszerelni, hogy a csiszolófelületük ne érjen túl a védőburkolat szélének síkján.

A készülék használata előtt vizsgálja meg, hogy a szorítóanya megfelelően meg van-e húzva.

A készüléket a segédfogantyúval együtt kell használni.

A munkadarabot rögzíteni kell, amennyiben saját súlya nem tartja meg biztonságban. A munkadarabot soha nem szabad kézzel vezetni a korong irányába.



## AKKUK

50°C feletti hőmérsékletnél csökkenhet az akkumulátor teljesítménye. Kerülni kell a túlzottan meleg helyen vagy napon történő hosszabb idejű tárolást.

A töltő és az akkumulátor csatlakozóit mindig tisztán kell tartani.

Az optimális élettartam érdekében használat után az akkukat teljesen fel kell tölteni. A hosszabb ideig üzemben kívül lévő akkumulátort használat előtt ismételen fel kell tölteni.

A lehetőleg hosszú élettartamhoz az akkukat feltöltés után ki kell venni a töltőkészülekből.

Az akku 30 napot meghaladó tárolása esetén: Az akkut kb. 27 °C-on, száraz helyen kell tárolni., Az akkut kb. 30-50%-os töltöttségi állapotban kell tárolni., Az akkut 6 havonta újra fel kell tölteni.

A használt akkumulátort ne dobja tűzbe vagy a háztartási személtbe. Tájékozódjon a szakszerű megsemmisítés helyi lehetőségeiről.

Az akkumulátort ne tárolja együtt fém tárgyakkal. (Rövidzárlat veszélye).

## AZ AKKUMULÁTOR TÚLTERHELÉS ELLENI VÉDELME

Az akkumulátor nagyon magas áramfogyasztással való túlterhelése esetén, pl. rendkívül nagy nyomatok, a szerszám beszorulása, hirtelen leállás vagy rövidzárlat miatt, az elektromos szerszám 2 másodpercre leáll és magától lekapcsol. A készülék visszaállításához vegye ki az akkumulátorcsomagot a szerszámból, és cserélje ki.

Rendkívüli terheléseknél az akku túlságosan felmelegszik. Ebben az esetben a töltéskijelző minden lámpája addig villog, amíg az akku le nem hűl. Ha a töltéskijelző kialszik, utána tovább lehet dolgozni. Az ismételt feltöltéshez és aktiváláshoz ekkor dugja az akkut a töltőkészületbe.

## LÍTIUM-ION AKKUK SZÁLLÍTÁSA

A lítium-ion akkuk a veszélyes áruk szállítására vonatkozó törvényi rendelkezések hatálya alá tartoznak.

Az ilyen akkuk szállításának a helyi, országos és nemzetközi előírások és rendelkezések betartása mellett kell történnie.

A fogyasztók minden további nélkül szállíthatják az ilyen akkukat közúton.

A lítium-ion akkuk szállítmányozási vállalatok általi kereskedelmi célú szállítására a veszélyes áruk szállítására vonatkozó rendelkezések érvényesek. A kiszállítás előkészítését és a szállítást kizárólag megfelelő képzettségű személyek végezhetik. A teljes folyamatnak szakmai felügyelet alatt kell történnie.

A következő pontokat kell figyelembe venni akkuk szállításakor:

Biztonsága, hogy a rövidzárlatok elkerülése érdekében az érintkezők védve és szigetelve legyenek. Ügyeljen arra, hogy az akkucsomag ne tudjon elcsúszni a csomagoláson belül. Tilos sérült vagy kifolyt akkukat szállítani. További útmutatásokért forduljon szállítmányozási vállalatához.

## ÚJRAINDULÁS ELLENI VÉDELME

A nullfeszültség kioldó áramkimaradás után megakadályozza a gép újbóli elindulását (akkumulátor csere).

A munka újrazedésekor a gépet ki majd ismét be kell kapcsolni.

## LÁGYINDÍTÁS

Elektronikus lágyindítás a biztonságos használat érdekében; megelőzi a gép lökészerű felfutását.

## KARBANTARTÁS

Karbantartás, javítás, tisztítás, stb. előtt az akkumulátort ki kell venni a készülékből.

A készülék szellőzőnyílásait mindig tisztán kell tartani.

Javításhoz, karbantartáshoz kizárólag AEG alkatrészeket és tartozékokat szabad használni. A készülék azon részeinek cseréjét, amit a kezelési útmutató nem engedélyez, kizárólag a javításra feljogosított márkaszervíz végezheti. (Lásd a szervizlistát)

Szükség esetén a készülékek robbantott ábráját - a készülék típusa és azonosító száma alapján a területileg illetékes Milwaukee Márkaszerviztől vagy közvetlenül a gyártótól (Techtronic Industries GmbH, Max-Eyth-Straße 10, 71364 Winnenden, Germany) lehet kérni.

## CE-AZONOSSÁGI NYILATKOZÁS

Kizárólagos felelőségünk alapján kijelentjük, hogy a „Műszaki adatok” fejezetben leírt termék megfelel a irányelvek összes vonatkozó rendelkezésének

2011/65/EU (RoHS)

2006/42/EK

2014/30/EU

harmonizált szabvány és a

EN 60745-1:2009 + A11:2010

EN 60745-2-3:2011 + A2:2013 + A11:2014 + A12:2014 + A13:2015

EN 55014-1:2017

EN 55014-2:2015

EN 50581:2012



Winnenden, 2018-08-16

Alexander Krug / Managing Director

Műszaki dokumentáció összeállításra felhatalmazva

Techtronic Industries GmbH

Max-Eyth-Straße 10, 71364 Winnenden, Germany



Mag

## SZIMBÓLUMOK



FIGYELEM! FIGYELMEZTETÉS! VESZÉLY!



Kérjük alaposan olvassa el a tájékoztatót mielőtt a gépet használja.



Munkavégzés közben ajánlatos védőszemüveget viselni.



Hordjon védőkesztyűt!



Karbantartás, javítás, tisztítás, stb. előtt az akkumulátort ki kell venni a készülékből.



Rezgéscillapító rendszer



Ne alkalmazzon erőt.



Csak vágási munkákhoz.



Csak csiszolási munkákhoz.



Ne nyomja meg az órósíresez gombot indítás és kijáratás közben.



Azokat a tartozékokat, amelyek gyárilag nincsenek a készülékhez mellékelve, külön lehet megrendelni.



Pótalkatrész - A standard szállítási csomag nem tartalmazza a pótalkatrészeket, így azokat külön kell megrendelni.



Az elektromos eszközöket, elemeket/akkukat nem szabad a háztartási hulladékkal együtt ártalmatlanítani. Az elektromos eszközöket és akkukat szelektíven kell gyűjteni, és azokat környezetbarát ártalmatlanítás céljából hulladékhasznosító üzemben kell leadni. A helyi hatóságoknál vagy szakkereskedőjénél tájékozódjon a hulladékudvarokról és gyűjtőhelyekről.

— — — Egyenáram

V Feszültség

n Névleges fordulatszám



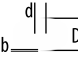
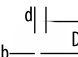
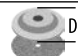

Európai megfelelőségi jelölés



Ukrán megfelelőségi jelölés



Eurázsiai megfelelőségi jelölés

TEHNIČNI PODATKI	BEWS18-115BL	BEWS18-125BL
<b>Baterijske kotni brusilniki</b>		
Proizvodna številka	4693 80 01 ... 4690 25 01 ... ... 000001-999999	4693 85 01 ... 4690 40 01 ... ... 000001-999999
Napetost izmenljivega akumulatorja	18 V	18 V
Nazivno število vrtljajev	11000 min <sup>-1</sup>	11000 min <sup>-1</sup>
D= Brusilne plošče ø maks. d= vrтанje - ø	115 mm 22,2 mm	125 mm 22,2 mm
 b= Debelina rezalne plošče min. / maks.	1/3 mm	1/3 mm
 b= Debelina brusne plošče maks.	6 mm	6 mm
 D= Brusne površine-ø maks.	115 mm	125 mm
 D= Žične ščetke-ø maks.	75 mm	75 mm
Vretenasti navoj	M 14	M 14
Teža po EPTA-proceduri 01/2014 (Li-Ion 1,5 Ah...9,0 Ah)	2,4 kg ... 3,1 kg	2,4 kg ... 3,1 kg
Priporočena temperatura okolice za obratovanje	-18°C ... +50°C	-18°C ... +50°C
Priporočeni kompleti akumulatorjev	L18...	L18...
Priporočeni polnilniki	AL1218... / BL 1218...	AL1218... / BL 1218...
<b>Informacije o hrupnosti</b>		
Vrednosti merjenja ugotovljene ustrezno z EN 60745. Raven hrupnosti naprave ovrednotena z A, znaša tipično:		
Nivo zvočnega tlaka (Nevarnost K=3dB(A))	83dB(A)	83dB(A)
Višina zvočnega tlaka (Nevarnost K=3dB(A))	84dB(A)	84dB(A)
<b>Nosite zaščito za sluh!</b>		
<b>Informacije o vibracijah</b>		
Skupna vibracijska vrednost (Vektorska vsota treh smerdoločena ustrezno EN 60745).		
Brušenje površins (Li-Ion 1,5 Ah): Vibracijska vrednost emisij a <sub>h,AG</sub>	9,4m/s <sup>2</sup>	9,4m/s <sup>2</sup>
Nevarnost K=	1,5 m/s <sup>2</sup>	1,5 m/s <sup>2</sup>
Brušenje s smirkovim papirjem (Li-Ion 1,5 Ah): Vibracijska vrednost emisij a <sub>h,DS</sub>	5,7m/s <sup>2</sup>	5,7m/s <sup>2</sup>
Nevarnost K=	1,5 m/s <sup>2</sup>	1,5 m/s <sup>2</sup>

Pri uporabi za druge namene, kot npr. rezanje ali brušenje z jeklenožično krtačo, se lahko izkažejo drugačne vibracijske vrednosti!

### OPAZORILO za vibracije!

V teh navodilih navedena raven tresljajev je bila izmerjena po EN60745 normiranem merilnem postopku in lahko služi medsebojni primerjavi električnih orodij. Prav tako je primeren za predhodno oceno obremenitve s tresljaji.

Navedena raven tresljajev navaja najpomembnejše vrste rabe električnega orodja. Kadar se električno orodje uporablja za drugačne namene, z odstopajočimi orodji ali pa z nezadostnim vzdrževanjem, lahko raven tresljajev tudi odstopa. Le to lahko čez celoten delovni čas znatno zviša obremenitev s tresenjem.

Za natančno oceno obremenitve s tresljaji naj bi se upošteval tudi čas v katerem je naprava izklopljena ali sicer teče, vendar dejansko ni v rabi. Le to lahko obremenitev s tresljaji čez celoten delovni čas znatno zmanjša.

Za zaščito upravljalca pred učinkom tresljajev uvedite dodatne zaščitne ukrepe npr.: Vzdrževanje električnega orodja in orodja, delo s toplimi rokami, organizacija delovnih potekov.

### OPOZORILO!

**Preberite vsa varnostna opozorila in navodila.** Napake zaradi neupoštevanja spodaj navedenih opozoril in napolit lahko povzročijo električni udar, požar in/ali težke telesne poškodbe.

**Vsa opozorila in napolita shranite, ker jih boste v prihodnje še potrebovali.**



### Opis naprave

- |  |                                      |
|--|--------------------------------------|
| 1) Blokada vretena   | 6) Zaščitna ročica blokade           |
| 2) Dodatni ročaj / AVS Dodatni ročaj Izolirana prijemalna površina | 7) Oprema                            |
| 3) Ročaj orodja Izolirana prijemalna površina                      | 8) Prirobnica                        |
| 4) Stikalo za vklop/izklop   | 9) Prirobnična matica /Matica FIXTEC |
| 5) Zaščita za brušenje   | 10) Baterije                         |
|  | 11) Zaščita proti prahu              |
|  | 12) Zaščita za rezanje               |

### ⚠ VARNOSTNA NAVODILA ZA KOTNO BRUSILKO

**Skupna opozorila za brušenje, brušenje z brusnim papirjem, delo z žičnimi ščetkami, poliranje in rezanje:**

- To električno orodje se lahko uporablja za brušenje, brušenje z brusnim papirjem, brušenje z žično ščetko rezalni stroj.. Upoštevajte vsa opozorila, navodila, slikovne prikaze in podatke, ki ste jih prejeli skupaj z električnim orodjem. Zaradi nespoštovanja spodaj navedenih navodil lahko pride do električnega udara, požara in/ali težkih telesnih poškodb.
- To električno orodje ni primerno za poliranje. Uporaba za katero stroj ni predviden, lahko povzroči nevarnosti in poškodbe.
- Ne uporabljajte pribora, ki ga proizvajalec za to orodje ni specialno predvidel in katerega uporabe ne priporoča. Zgolj dejstvo, da lahko nek pribor pritrđite na Vaše električno orodje, še ne zagotavlja varne uporabe.
- Dovoljeno število vrtljajev uporabljenega orodja mora biti vsaj tako visoko, kot je največje število vrtljajev električnega orodja. Pribor, ki se vrti hitreje od dovoljenega števila vrtljajev, se lahko polomi in razleti.
- Zunanji premer in debelina vsadnega orodja morata ustrezati meram Vašega električnega orodja. Napačno dimenzioniranih vsadnih orodij ne boste mogli dovolj dobro zavarovati ali nadzorovati.
- Navoji delov pribora se morajo ujemati z navoji brusilnih vreten. Pri prirobničnih delih pribora, se mora izvrtina vpenjalnega trna ujemati s premerom lokalizacijske prirobnice. Deli pribora, ki ne pašejo na pritrđilni trn naprave, tečejo ekscentrično, vibrirajo s prekomerno močjo in lahko privedejo do izgube nadzora nad orodjem.

g) Ne uporabljajte poškodovanih vsadnih orodij. Pred vsako uporabo pregledajte brusilne kolute, če se ne luščijo oziroma če nimajo razpok, brusilne krožnike, če nimajo razpok oziroma če niso močno obrabljeni ali izrabljeni, žične ščetke pa, če nimajo zrahljanih ali odlomljenih žic. Če pade električno orodje ali vsadno orodje na tla, pogledajte, če ni poškodovano in uporabljajte samo nepoškodovana vsadna orodja. Po kontroli in vstavljanju vsadnega orodja se ne združite v ravni vrtečega se vsadnega orodja, kar velja tudi za druge osebe v bližini. Električno orodje naj eno minuto deluje z najvišjim številom vrtljajev. Poškodovana vsadna orodja se največkrat zlomijo med tem preizkusnim časom.

h) Uporabljajte osebno zaščitno opremo. Odvisno od vrste uporabe si natakните zaščitno masko čez cel obraz, zaščito za oči ali zaščitna očala. Če je potrebno, nosite zaščitno masko proti prahu, zaščitne glušnike, zaščitne rokavice ali specialni predpasnik, ki Vas bo zavaroval pred manjšimi delci materiala, ki nastajajo pri brušenju. Oči je treba zavarovati pred tujki, ki nastajajo pri različnih vrstah uporabe naprave in letijo naokrog. Zaščitna maska proti prahu ali dihalna maska morata filtrirati prah, ki nastaja pri uporabi. Predolgo izpostavljanje glasnemu hrupu ima lahko za posledico izgubo sluha.

i) Pazite, da bodo druge osebe varno oddaljene od Vašega delovnega območja. Vsak, ki stopi na delovno območje, mora nositi osebno zaščitno opremo. Odlomljeni delci obdelovanca ali zlomljena vsadna orodja lahko odletijo stran in povzročijo telesne poškodbe, tudi izven neposrednega delovnega območja.

j) Kadar izvajate dela pri katerih lahko orodje zadane prikrto električno napeljavo, je napravo potrebno držati za izolirane prijemalne površine. Stik rezalnega orodja z napetostnim vodnikom napeljave lahko privede kovinske dele naprave pod napetost in vodi do električnega udara.

k) Ne odlagajte električno napravo vse dokler se električna naprava ni popolnoma umirila. Vrteče se vsadno orodje lahko pride v stik z odlagalno površino, zaradi česar lahko izgubite nadzor nad električnim orodjem.

l) Električno orodje naj medtem, ko ga prenašate naokrog, ne deluje. Vrteče se vsadno orodje lahko zaradi naključnega kontakta zagrabljuje Vaše oblačilo in se zavrti v Vaše telo.

m) Prezračevalne reže Vašega električnega orodja morate redno čistiti. Ventilator motorja povleče v ohišje prah in velika količina nabranega prahu je lahko vzrok za električno nevarnost.

n) Ne uporabljajte električnega orodja v bližini gorljivih materialov. Ti materiali se lahko zaradi iskenja vnamejo.

o) Ne uporabljajte vsadnih orodij, ki za hlajenje potrebujejo tekočino. Uporaba vode ali drugih tekočin lahko povzroči električni udar.

### Povratni udarec in ustrezna opozorila

Povratni udarec je nenadna reakcija, ki nastane zaradi zagodenja ali blokiranja vrtečega se vsadnega orodja, na primer brusilnega koluta, brusilnega krožnika, žične ščetke in podobnega. Zagodenje ali blokiranje ima za posledico takojšnjo ustavitev vrtečega se vsadnega orodja. Nekontrolirano električno orodje se zaradi tega pospešeno premakne v smer, ki je nasprotna smeri vrtenja vsadnega orodja.

Če se na primer brusilni kolut zatakne ali zablokira v obdelovanecu, se lahko rob brusilnega koluta, ki je potopljen v obdelovanec, zaplete vanj in brusilni kolut se odloži ali povzroči povratni udarec. Brusilni kolut se nato premakne proti uporabniku ali proč od njega, odvisno od smeri vrtenja brusilnega koluta na mestu blokiranja. Blokirni koluti se lahko pri tem tudi zlomijo.



Povratni udarec je posledica napačne ali pomanjkljive uporabe električnega orodja. Preprečite ga lahko z ustreznimi previdnostnimi ukrepi. Navedeni so v nadaljevanju besedila.

**a) Dobro držite električno orodje in premaknite telo in roke v položaj, v katerem boste lahko prestregli moč povratnega udarca. Če je na voljo dodatni ročaj, ga obvezno uporabljajte in tako zagotovite najboljše možno nadziranje moči povratnih udarcev ali reakcijskih momentov pri zagonu naprave. Z ustreznimi previdnostnimi ukrepi lahko uporabnik obvlada moč povratnih udarcev in reakcijskih momentov.**

**b) Nikoli z roko ne segajte v bližino vrtečih se vsadnih orodij.** V primeru povratnega udarca se lahko orodje premakne čez Vašo roko.

**c) Ne približujte telesa področju, v katerega se lahko v primeru povratnega udarca premakne električno orodje.** Povratni udarec potisne električno orodje v smer, ki je nasprotna smeri premikanja brusilnega koluta na mestu blokiranja.

**d) Posebno previdno delajte v kotih, na ostrih robovih in podobnih površinah. Preprečite, da bi vsadna orodja odskočila od obdelovanca in se zagodila.** Vrteče se vsadno orodje se v kotih, na ostrih robovih ali če odskoči, zlahka zagodijo. To povzroči izgubo nadzora ali povratni udarec.

**e) Ne uporabljajte verižni ali nazobčani žagin list.** Tako delovno orodje povzroči pogosto povratni udarec ali izgubo kontrole nad električno napravo.

#### Posebna opozorila za brušenje in rezanje

**a) Uporabljajte samo brusila, ki so atestirana za Vaše električno orodje in zaščitni pokrov, predviden za ta brusila.** Brusil, ki niso predvidena za Vaše električno orodje, ne boste mogli dobro zavarovati in so zato nevarna.

**b) Izbočene brusne plošče je treba montirati tako, da njihova brusna površina ne bo segala izven ravni roba ščitnika.** Nepravilno montirane brusne plošče, ki sega čez raven ščitnika, ni mogoče v zadostni meri zaščititi.

**c) Vedno uporabljajte zaščitni pokrov, ki je predviden za vrsto brusila, ki ga uporabljate. Zaščitni pokrov mora biti varno nameščen na električno orodje in pritrjen tako, da bo zagotovil največjo možno mero varnosti, kar pomeni, da mora biti proti uporabniku obrnjen najmanjši del odprtega brusila. Zaščitni pokrov naj bi uporabnika varoval pred drobcin in pred naključnim stikom z brusilom.**

**d) Brusila lahko uporabljate samo za vrste uporabe, ki jih priporoča proizvajalec. Na primer: Nikoli ne brusite s stransko ploskvijo rezalne plošče.** Rezalne plošče so namenjene odstranjevanju materiala z robom plošče. Brusilo se lahko zaradi bočnega delovanja sile zlomi.

**e) Za izbrani brusilni kolut vedno uporabljajte nepoškodovane vpenjalne prirobnice pravilne velikosti in oblike.** Ustrezne prirobnice podpirajo brusilni kolut in tako zmanjšujejo nevarnost, da bi se kolut zlomil. Prirobnice za rezalne plošče se lahko razlikujejo od prirobnic za druge brusilne kolute.

**f) Ne uporabljajte obrabljenih brusilnih kolutov večjih električnih orodij.** Brusilni koluti za večja električna orodja niso konstruirana za višje število vrtljajev, s katerimi delujejo manjša električna orodja in se lahko zato zlomijo.

#### Ostala posebna opozorila za rezanje

**a) Izogibajte se blokiranju rezalne plošče ali premočnemu pritiskanju na obdelovanec. Ne delajte pretirano globokih rezov.** Preobremenjenost rezalne plošče se poveča, prav tako dovzetnost za

zatikanje ali blokiranje in s tem možnost povratnega udarca ali zloma brusila.

**b) Izogibajte se področja pred in za vrtečo se rezalno ploščo.** Če boste rezalno ploščo, ki je v obdelovancu, potisnili stran od sebe, lahko električno orodje v primeru povratnega udarca skupaj z vrtečim se kolutom odleti naravnost v Vas.

**c) Če se rezalna plošča zagodijo ali če prekinete z delom, električno orodje izklopite in ga držite pri miru, dokler se kolut popolnoma ne ustavi. Nikoli ne poskušajte rezalne plošče, ki se še vrti, potegniti iz reza, ker lahko pride do povratnega udarca.** Ugotovite in odstranite vzrok zagoditve.

**d) Dokler se električno orodje nahaja v obdelovancu, ga ne smete ponovno vklopiti. Počakajte, da bo rezalna plošča dosegla polno število vrtljajev in šele potem previdno nadaljujte z rezanjem.** V nasprotnem primeru se lahko plošča zatakne, skoči iz obdelovanca ali povzroči povratni udarec.

**e) Plošče ali velike obdelovance ustrezno podprite in tako zmanjšajte tveganje povratnega udarca zaradi zataknjene rezalne plošče.** Veliki obdelovanci se lahko zaradi lastne teže upognejo. Obdelovanec mora biti podprt z obeh strani, pa tudi v bližini reza in na robu.

**f) Posebej previdni bodite pri „rezanju žepov“ v obstoječe zidove ali druga območja.** Pogrezajoča se rezalna plošča lahko pri zarezovanju v plinske ali vodovodne cevi ter električne vodnike in druge predmete povzroči povratni udarec.

#### Posebna opozorila za brušenje z brusnim papirjem:

**a) Ne uporabljajte predimenzioniranih brusilnih listov, temveč upoštevajte podatke proizvajalca o velikosti žaginega lista.** Brusilni listi, ki gledajo čez brusilni krožnik, lahko povzročijo telesne poškodbe ali pa blokiranje in trganje žaginega lista oziroma povratni udarec.

#### Posebna opozorila za delo z žičnimi ščetkami:

**a) Upoštevajte, da žična krtača izgublja kose žice tudi med običajno uporabo. Žic ne preobremenjujte preveč s pritiskom.** Vstran leteči kosi žice lahko zelo lahko prodrejo skozi tanka oblačila in/ali kožo.

**b) Če je za delo priporočljiva uporaba zaščitnega pokrova, preprečite, da bi se zaščitni pokrov in žična ščetka dotikala.** Premer diskastih in lončastih žičnih ščetk se lahko zaradi pritiskanja nanje in zaradi delovanja centrifugalnih sil poveča.

#### Nadaljna varnostna in delovna opozorila

Preden vklopite orodje, preverite, ali je gumb za blokado vretena popolnoma sproščen! Po uporabi blokade vretena za privijanje/odvijanje brusilne plošče je mogoče, da tipka ostane v položaju zaklepanja. To lahko privede do tega, da zaščita orodja ali akumulatorja deluje in da se napajanje orodja prekine. Izklopite stikalo, odstranite akumulator, nato pa ploščo previdno premikajte naprej in nazaj, da sprostite gumb za blokado vretena. Napotek: Če je se aktivirala tudi zaščita akumulatorja, preprosto odstranite akumulator iz orodja in ga zamenjajte, s čimer se zaščita ponastavi.

Pri brušenju kovin nastaja iskenje. Pazite na to, da ne ogrožate nobenih oseb. Zaradi nevarnosti požara se v bližini (na področju iskenjne smeje nahajati nobeni gorljivi materiali. Ne uporabljajte odsesavanja prahu.

Izogibajte se temu, da bi iskenje in brusilni prah zadevali v telo.

Ne segajte na področje nevarnosti tekočega stroja.

Trske ali iveri se pri tekočem stroju ne smejo odstranjevati.



Slo

Napravo takoj izklopite, če nastopijo znatne vibracije ali če ugotovite drugače pomanjkljivosti. Preverite stroj, da ugotovite vzrok. Pri ekstremnih pogojih uporabe (npr. bruslu kovin z opornim krožnikom in vulkan-fiber brusilnimi ploščami) se lahko v notranjosti kotne brusilke naberejo nečistoče.

Zaradi nevarnosti kratkega stika kovinski deli ne smejo zaiti v špranje za prežračevanje.

**OPOZORILO!** V izogib, s kratkim stikom povzročene nevarnosti požara, poškodb ali okvar na proizvodu, orodja, izmenljivega akumulatorja ali polnilne naprave ne potaplajte v tekočine in poskrbite, da ne bo prihajalo do vdora tekočin v napravo in akumulatorje. Korozivne ali prevodne tekočine, kot so slana voda, določene kemikalije in belila ali proizvodi, ki le ta vsebujejo, lahko povzročijo kratek stik.

Izmenljivih akumulatorjev in polnilnih aparatov ne odpirajte in jih hranite samo v suhih prostorih. Zaščitite jih pred mokroto.

Izmenljive akumulatorje sistema GBS polnite samo s polnilnimi aparati sistema GBS. Ne polnite nobenih akumulatorjev iz drugih sistemov.

### PREOSTALE NEVARNOSTI

Tudi pri uporabi kotnega brusilnika, kot je predpisano, je še vedno nemogoče popolnoma odpraviti nekatere preostale dejavnike tveganja. Pojavijo se lahko naslednje nevarnosti in upravljavec mora biti posebej pozoren, da se prepreči naslednje:

#### **Telesne poškodbe zaradi letočih delcev.**

Kovinski ali brusni delci lahko prodrejo v oči in povzročijo trajne, hude poškodbe.

Med uporabo izdelka nosite zaščitna očala, odobrena za brusilne postopke.

#### **Telesne poškodbe zaradi vibracij.**

Omejitev izpostavljenosti. Oglejte si OPOZORILO za vibracije!

#### **Telesne poškodbe zaradi prahu.**

Nosite primerno masko za zaščito pred prahom s filtri, primerno za zaščito pred delci iz obdelovalnega materiala, in abrazivnimi delci iz brusilne plošče.

V delovnem območju ne jesti, piti in ne kaditi. Poskrbite za zadostno prežračevanje.

#### **Telesne poškodbe zaradi stika z brusilno ploščo.**

Plošča in obdelovanec se med delovanjem močno segrejeta. Nosite rokavice med menjavo plošče ali če se dotikate obdelovanca. Rok nikoli ne približujte brusilnemu območju.

Obdelovanec vedno pritrdite.

#### **Telesne poškodbe zaradi hrupa.**

Dolgotrajna izpostavljenost hrupu poveča tveganje poškodb sluha in učinki so kumulativni. Če električno orodje uporabljate dlje časa, nosite zaščito za sluh.

Če uporabljate orodje dlje časa, lahko pride do telesnih poškodb ali pa se te poslabšajo. Če uporabljate katero koli orodje dlje časa, poskrbite za redne premore.

### UPORABA V SKLADU Z NAMEMBOSTJO

Kotni brusilnik je predviden za brušenje in rezanje kovine, kamna, betona in keramike ter za peščeno brušenje in žičenje.

Za rezalno aplikacijo uporabite rezalni pokrov iz ponudbe pribora. Kadar ste v dvomu upoštevajte navodila proizvajalcapribora.

Električno orodje je primerno zgolj za suho obdelavo.

Na kotni brusilnik je treba namestiti samo ustrezno brusilne ali rezilne plošče, kot je opisano v razdelku o specifikacijah izdelka

tega priročnika. Kotni brusilnik je zasnovana za ročno uporabo; ni ga dovoljeno namestiti na držalo ali delovno mizo.

Izdelka ne uporabljajte na noben drugačen način od navedenega za predvideno uporabo.

### PRACOVNE POKYNY

Pri brusilnih sredstvih, ki so opremljeni s ploščico z navojem se prepričajte, da je navoj v ploščici dovolj dolg za vreteno.

Rezalne in brusilne plošče vedno uporabljajte in shranjujte v skladu z navedbami proizvajalca.

Pri grobem struženju ali rezanju vedno delajte z zaščitnim pokrovom.

Izbočne brusne plošče je treba montirati tako, da njihova brusna površina ne bo segala izven ravni roba ščitnika.

Matica priborice mora biti pred zagonom stroja zategnjena.

Vedno uporabljajte dodatni ročaj.

Kos, ki ga želite obdelovati, mora biti trdno vpet, če ne drži že zaradi lastne teže. Nikoli obdelovalnega kosa ne vodite z roko proti plošči.

### AKUMULATORJI

Temperatura nad 50°C zmanjšuje zmogljivost izmenljivega akumulatorja. Izogibajte se daljšemu segrevanju zaradi sončnih žarkov ali gretja.

Pazite, da ostanejo priključni kontakti na polnilnem aparatu in izmenljivem akumulatorju čisti.

za optimalno življenjsko dobo je potrebno akumulatorje po uporabi do konca napolniti. Izmenljive akumulatorje, ki jih daljši čas niste uporabljali, pred uporabo naknadno napolnite.

Za čim daljšo življenjsko dobo naj se akumulatorji po napolnitvi vzamejo ven iz naprave za polnjenje.

Pri skladiščenju akumulatorjev dalj kot 30 dni: Akumulator skladiščiti pri 27°C in na suhem., Akumulator skladiščiti pri 30%-50% stanja polnjenja., Akumulator spet napolniti vsakih 6 mesecev.

Izbrbljenih izmenljivih akumulatorjev ne mečite v ogenj ali v gospodinske odpadke. AEG nudi okolju prijazno odlaganje starih izmenljivih akumulatorjev; prosimo povprašajte vašega strokovnega trgovca.

Izmenljivih akumulatorjev ne hranite skupaj s kovinskimi predmeti (nevarnost kratkega stika).

### ZAŠČITA PREOBREMITIVNE AKUMULATORJA

Pri preobremenitvi akumulatorja s previsoko porabo toka, npr. ekstremno visoki vrtilni momenti, zatik uporabljenega orodja, nenadna zaustavitve ali kratek stik, se električno orodje za 2 sekundi ustavi in samodejno izklopi. Za ponastavitev preprosto odstranite akumulator iz orodja in ga zamenjajte.

Pod ekstremnimi obremenitvami se akumulator premočno segreva. V tem primeru utripajo vse lučke prikazovalnika polnjenja dokler se akumulator ne ohladi. Za tem, ko prikazovalnik polnjenja ugasne lahko z delom nadaljujemo. Za ponovno polnitev in aktiviranje akumulatorja ga je potrebno vstaviti v polnillec.

### TRANSPORT LITIJ-IONSkih AKUMULATORJEV

Litij-ionski akumulatorji so podvrženi zakonskim določbam transporta nevarnih snovi.

Transport teh akumulatorjev se mora izvajati upoštevajoč lokalne, nacionalne in mednarodne predpise in določbe.

Potrošniki lahko te akumulatorje še nadalje transportirajo po cesti. Komerčni transport litij-ionskih akumulatorjev s strani špediterških podjetij je potrjen določbam transporta nevarnih



snovi. Priprava odpreme in transporta se lahko vrši izključno s strani ustrezno izšolanih oseb. Celoten proces je potrebno strokovno spremljati.

Pri transportu akumulatorjev je potrebno upoštevati sledeče točke:

V izogib kratkim stikom zagotovite, da bodo kontakti zaščiteni in izolirani. Bodite pozorni na to, da paket akumulatorja v notranjosti embalaže ne bo mogel zdrsniti. Poškodovanih ali iztekajočih akumulatorjev ni dovoljeno transportirati. Za nadaljnja navodila se obrnite na vaše špeditersko podjetje.

### ZAŠČITA PRED PONOVNIM ZAGONOM

Stikalo ničelne napetosti preprečuje ponoven zagon stroja po prekinitvi toka (zamenjava baterij).

V primeru nadaljevanja z delom stroj izklopimo in ponovno vklopimo.

### RAHLI ZAGON

Elektronski rahli zagon za varno delovanje pri vklopu preprečuje sunkovit zagon stroja.

### VZDRŽEVANJE

Pred vsemi deli na stroji odstranite izmenljivi akumulator.

Pazite na to, da so prežračevalne reže stroja vedno čiste.

Uporabljajte samo AEG pribor in nadomestne dele. Poskrbite, da sestavne dele, katerih zamenjava ni opisana, zamenjajo v AEG servisni službi (upoštevajte brošuro Garancija/Naslovi servisnih služb).

Po potrebi se lahko pri vaši servisni službi ali direktno pri Techtronic Industries GmbH naroči eksplozijska risba naprave ob navedbi tipa stroja in številke s tipske ploščice Techtronic Industries GmbH, Max-Eyth-Straße 10, 71364 Winnenden, Germany.

### CE-IZJAVA O KONFORMNOSTI

S polno odgovornostjo izjavljamo, da izdelek, opisan pod „Tehnični podatki“ izpolnjuje vse ustrezne določbe direktiv

2011/65/EU (RoHS)

2006/42/ES

2014/30/EU

ter da so bili uporabljeni naslednji harmonizirani standardi

EN 60745-1:2009 + A11:2010

EN 60745-2-3:2011 + A2:2013 + A11:2014 + A12:2014 + A13:2015

EN 55014-1:2017

EN 55014-2:2015

EN 50581:2012



Winnenden, 2018-08-16

Alexander Krug / Managing Director

Pooblaščen za izdelavo spisov tehnične dokumentacije.

Techtronic Industries GmbH

Max-Eyth-Straße 10, 71364 Winnenden, Germany

### SIMBOLI



POZOR! OPOZORILO! NEVARNO!



Prosimo, da pred uporabo pozorno preberete to navodilo za uporabo.



Pri delu s strojem vedno nosite zaščitna očala.



Nositi zaščitne rokavice



Pred vsemi deli na stroji odstranite izmenljivi akumulator.



ANTIvibracijski sistem



Brez uporabe sile.



Zgolj za rezalna opravila.



Zgolj za brusilna opravila.



Med vklopom in izklopom ne pritisnite gumba za blokado vretena.



Oprema – ni vsebovana v obsegu dobave, priporočeno dopolnilo iz programa opreme.



Nadomestni del – ni vključen v standardno opremo, na voljo kot rezervni del.



Električnih naprav, baterij/akumulatorjev ni dovoljeno odstranjevati skupaj z gospodinjskimi odpadki. Električne naprave in akumulatorje je potrebno zbirati ločeno in za okolju prijazno odstranitev, oddati podjetju za reciklažo. Pri krajevnem uradu ali vašem strokovnem prodajalcu se pozanimajte glede reciklažnih dvorišč in zbirnih mest.



Enosmerni tok



Napetost



Nazivno število vrtljajev



Evropska oznaka za združljivost

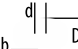
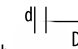
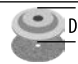



Ukrajinska oznaka za združljivost



Evrazijska oznaka za združljivost



TEHNIČKI PODACI Akumulatorska kutni bruslač	BEWS18-115BL	BEWS18-125BL
Broj proizvodnje	4693 80 01 ... 4690 25 01 ... ... 000001-999999	4693 85 01 ... 4690 40 01 ... ... 000001-999999
Napon baterije za zamjenu	18 V	18 V
Nazivni broj okretaja	11000 min <sup>-1</sup>	11000 min <sup>-1</sup>
D= Brusne ploče-ø max. d= otvor sa ø  b= Debljina rezne ploče min. / max.  b= Debljina brusne ploče max.	115 mm 22,2 mm 1/3 mm	125 mm 22,2 mm 1/3 mm
 D= Brusne površine-ø max.	115 mm	125 mm
 D= Lončaste četke-ø max.	75 mm	75 mm
Navoj vretena	M 14	M 14
Težina po EPTA-proceduri 01/2014 (Li-Ion 1,5 Ah...9,0 Ah)	2,4 kg ... 3,1 kg	2,4 kg ... 3,1 kg
Preporučena temperatura okoline za pogon	-18°C ... +50°C	-18°C ... +50°C
Preporučeni akumulatorski paket	L18...	L18...
Preporučeni punjači	AL1218... / BL 1218...	AL1218... / BL 1218...
<b>Informacije o buci</b>		
Mjerne vrijednosti utvrđene odgovarajuće EN 60745. A-ocijenjeni nivo buke aparata iznosi tipično:		
Nivo pritiska zvuka (Nesigurnost K=3dB(A))	83dB(A)	83dB(A)
Nivo učinka zvuka (Nesigurnost K=3dB(A))	84dB(A)	84dB(A)
<b>Nositi zaštitu sluha!</b>		
<b>Informacije o vibracijama</b>		
Ukupne vrijednosti vibracije (Vektor suma tri smjersu odmjerene odgovarajuće EN 60745)		
Brušenje površina (Li-Ion 1,5 Ah): Vrijednost emisije vibracije a <sub>h,AG</sub>	9,4m/s <sup>2</sup>	9,4m/s <sup>2</sup>
Nesigurnost K=	1,5 m/s <sup>2</sup>	1,5 m/s <sup>2</sup>
Brušenje brusnim listom (Li-Ion 1,5 Ah: Vrijednost emisije vibracije a <sub>h,DS</sub>	5,7m/s <sup>2</sup>	5,7m/s <sup>2</sup>
Nesigurnost K=	1,5 m/s <sup>2</sup>	1,5 m/s <sup>2</sup>

Kod drugih primjena kao npr. brušenje presjecanjem ili brušenje sa četkom od čeličnih žica mogu nastati druge vibracijske vrijednosti!

### UPOZORENJE o vibracijama!

Ova u ovim uputama navedena razina titranja je bila izmjerena odgovarajuće jednom u EN 60745 normiranom mjernom postupku i može se upotrijebiti za usporedbu električnog alata međusobno. Ona je prikladna i za privremenu procjenu titrajnog opterećenja. Navedena razina titranja reprezentira glavne primjene električnog alata. Ukoliko se električni alat upotrebljava u druge svrhe sa odstupajućim primijenjenim alatima ili nedovoljnim održavanjem, onda razina titranja može odstupati. To može titrajno opterećenje kroz cijeli period rada bitno povisiti.

Za točnu procjenu titrajnog opterećenja se moraju uzeti u obzir i vremena u kojima je uređaj isključen ili u kojima doduše radi, ali nije i stvarno u upotrebi. To može titrajno opterećenje bitno smanjiti za vrijeme cijelog radnog perioda.

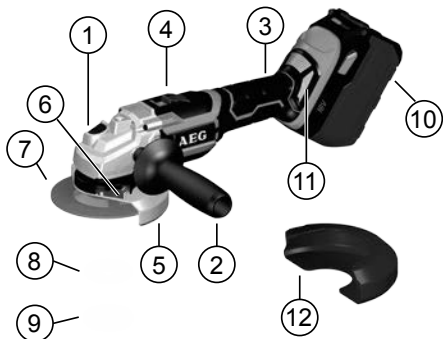
Utvrđite dodatne sigurnosne mjere za zaštitu poslužioaca protiv djelovanja titranja kao npr.: Održavanje električnih alata i upotrebljenih alata, održavanje topline ruku, organizacija i radne postupke.

### UPOZORENIE!

**Pročitajte sigurnosne upute i uputnice.** Ako se ne bi poštivale napomene o sigurnosti i upute to bi moglo uzrokovati strujni udar, požar i/ili teške ozljede.

**Sačuvajte sve napomene o sigurnosti i upute za buduću primjenu.**





### Opis proizvoda

- |  |                                      |
|--|--------------------------------------|
| 1) Blokiranje vretena  | 6) Poluga naprave za blokiranje      |
| 2) Dodatna drška / AVS<br>Dodatna drška<br>Izolirana površina za držanje | 7) Oprema                            |
| 3) Držak uređaja Izolirana površina za držanje                           | 8) Prirubnica                        |
| 4) Prekidač za uključivanje/isključivanje                                | 9) Matica prirubnice / FIXTEC matica |
| 5) Štitnik za brušenje   | 10) Akumulator                       |
|  | 11) Štitnik za prašinu               |
|  | 12) Štitnik za rezanje               |

### ! SIGURNOSNE UPUTE ZA KUTNU BRUSILICU

**Zajedničke upute s upozorenjima za brušenje, brušenje brusnim papirom, radove s žičanim četkama, poliranje i rezanje brušenjem:**

- a) Ovaj električni alat treba koristiti kao brusilicu, brusilicu s brusnim papirom, žičanu četku i rezanje brušenjem.. Pridržavajte se svih naputaka s upozorenjem, uputa, prikaza i podataka koje ste dobili s električnim alatom.** Ako se ne bi pridržavali slijedećih uputa, moglo bi doći do električnog udara, požara i/ili teških ozljeda.
- b) Ovaj električni alat nije prikladan za poliranje.** Primjene, za koje električni alat nije predviđen, mogu prouzročiti ugrožavanja i povrede.
- c) Ne koristite pribor koji proizvođač nije posebno predvidio i preporučio za ovaj električni alat.** Sama činjenica da se pribor može pričvrstiti na vaš električni alat, ne jamči sigurnu primjenu.
- d) Dozvoljeni broj okretaja alatnih nastavaka mora najmanje biti toliki kao što je i najveći broj okretaja naveden na električnom alatu.** Oprema koja ima veći broj okretaja od dozvoljenog može se polomiti i razletjeti.
- e) Vanjski promjer i debljina radnog alata moraju odgovarati dimenzijama vašeg električnog alata.** Pogrešno dimenzionirani električni alati ne mogu se dovoljno zaštititi ili kontrolirati.
- f) Navoj dijelova pribora se moraju podudarati sa navojem brusnog vretena. Kod dijelova pribora koji će biti prirubljeni, mora se bušotina za stezni trn u dijelu pribora podudarati sa promjerom lokalizirajuće prirubnice.** Dijelovi pribora koji ne pristaju na montažni trn aparata, rade ekscentrično,

vibriraju prekomjerno jako i mogu dovesti do gubitka kontrole nad alatom.

**g) Ne koristite oštećene radne alate. Prije svake primjene kontrolirajte radne alate, kao što su brusne ploče na odlamanje komadića i pukotine, brusne tanjure na pukotine, trošenje ili veću istrošenost, čelične četke na oslobodene ili odlomljene žice. Ako bi električni alat ili radni alat pao, provjerite da li je oštećen ili koristite neoštećeni radni alat. Kada koristite ili kontrolirate radni alat, osobe koje se nalaze blizu držite izvan ravnine rotirajućeg radnog alata i ostavite električni alat da se jednu minutu vrti sa maksimalnim brojem okretaja. Oštećeni radni alati najčešće se lome u vrijeme ovakvih ispitivanja.**

**h) Nosite osobnu zaštitnu opremu. Ovisno od primjene koristite masku za zaštitu lica i zaštitne naočale. Ukoliko je to potrebno, nosite masku za zaštitu od prašine, štitnike za sluh, zaštitne rukavice ili specijalne pregače, koje će vas zaštititi od sitnih čestica od brušenja i materijala. Oči treba zaštititi od letućih stranih tijela koja nastaju kod različitih primjena. Zaštitne maske protiv prašine ili za disanje moraju profilirati prašinu nastalu kod primjene. Ako ste dulje vrijeme izloženi buci, mogao bi vam se pogoršati sluh.**

**i) Ako radite sa drugim osobama, pazite na siguran razmak do njihovog radnog područja. Svatko tko stupi u radno područje mora nositi osobnu zaštitnu opremu.** Odlomljeni komadići izratka ili odlomljeni radni alati mogu odletjeti i uzrokovati ozljede i izvan neposrednog radnog područja.

**j) Držite spravu na izoliranim držaćim površinama kada izvodite radove kod kojih rezački alat može pogoditi skrivene vodove struje.** Kontakt rezačkog alata sa vodovima koji sprovedu naponom može metalne dijelove sprave dovesti pod napon i tako dovesti do električnog udara.

**k) Nikad ne ostavljajte električni stroj bez nadzora, dok se alat ne zaustavi potpuno.** Rotirajući radni alat mogao bi dodirnuti površinu odlaganja, zbog čega bi mogli izgubiti kontrolu nad električnim alatom.

**l) Ne dopustite da električni alat radi dok ga nosite.** Rotirajući radni alat bi slučajnim kontaktom mogao zahvatiti vašu odjeću, a radni alat bi vas mogao ozlijediti.

**m) Redovito čistite otvore za hlađenje vašeg električnog alata.** Ventilator motora uvlači prašinu u kućište električnog alata, a veliko nakupljanje metalne prašine može uzrokovati električne opasnosti.

**n) Električni alat ne koristite blizu zapaljivih materijala.** Iskre bi mogle zapaliti ove materijale.

**o) Ne koristite radne alate koji zahtijevaju tekuća rashladna sredstva.** Primjena vode ili ostalih tekućih rashladnih sredstava može dovesti do električnog udara.

### Povratni udar i odgovarajuće upute upozorenja

Povratni udar je iznenadna reakcija zbog radnog alata koji se je zaglavio ili blokirao, kao što su brusilice, brusni tanjuri, čelične četke itd. Zaglavljivanje ili blokiranje dovodi do naglog zaustavljanja rotirajućeg radnog alata. Zbog toga će se nekontrolirani električni alat ubrzati u smjeru suprotnom od smjera rotacije radnog alata na mjestu blokiranja.

Ako bi se npr. brusna ploča zaglavila ili blokirala u izratku, tada rub brusne ploče koja je zarezala u izradak može odlomiti brusnu ploču ili uzrokovati povratni udar. Brusna ploča se kod toga pomiče prema osobi koja rukuje električnim alatom ili od nje, ovisno od smjera rotacije brusne ploče na mjestu blokiranja. Kod toga se brusne ploče mogu i odlomiti.

Povratni udar je posljedica pogrešne ili neispravne uporabe električnog alata. On se može spriječiti prikladnim mjerama opreza, kao što su dolje opisane.

- a) **Električni alat držite čvrsto i vaše tijelo i ruke dovedite u položaj u kojem možete preuzeti silu povratnog udara. Ukoliko postoji koristite uvijek dodatnu ručku, kako bi imali najveću moguću kontrolu nad silama povratnog udara ili momentima reakcije kod rada električnog alata.** Osoba koja rukuje električnim alatom može prikladnim mjerama opreza ovladati povratnim udarom ili silama reakcije.
- b) **Vaše ruke nikada ne stavljajte blizu rotirajućeg radnog alata.** Radni alat se kod povratnog udara može pomaknuti preko vaših ruku.
- c) **Vašim tijelom izbjegavajte područja u kojim se električni alat pomiče kod povratnog udara.** Povratni udar potiskuje električni alat u smjeru suprotnom od pomicanja brusne ploče na mjestu blokiranja.
- d) **Posebno opreznim radom u području uglova, oštrih rubova, itd. spriječit ćete da se radni alat odbaci od izratka i da se u njemu uklješti.** Rotirajući radni alat kada se odbije na uglovima ili oštrim rubovima, sklon je uklještenju. To uzrokuje gubitak kontrole nad radnim alatom ili povratni udar.
- e) **Ne upotrebljavajte lančani ili zupčasti rezni disk.** Ovakvi alat često prouzročava „trzanje“ ili gubitak kontrole nad električnom stroju.

#### **Posebne upute upozorenja za brušenje i rezanje brusnom pločom**

- a) **Koristite isključivo brusna tijela odobrena za električni alat i štitičnik predviđen za ova brusna tijela.** Brusna tijela koja nisu predviđena za ovaj električni alat ne mogu se dovoljno zaštititi i nesigurna su.
- b) **Koljenčaste brusne ploče moraju biti montirane tako, da njihova brusna površina ne strši preko ravnine ruba zaštitne kape.** Nestručno montirana brusna ploča, koja strši preko ruba zaštitne kape, ne može biti dovoljno zakrpljena.
- c) **Koristite uvijek štitičnik predviđen za korištenu vrstu brusnih tijela. Štitičnik mora biti sigurno pričvršćen na električnom alatu i tako podesen da se postigne maksimalna mjera sigurnosti, tj. da je najmanji mogući dio brusnog tijela otvoren prema osobi koja radi sa električnim alatom.** Štitičnik treba zaštititi osobu od odlomljenih komadića i nehotičnog kontakta sa brusnim tijelom.
- d) **Brusna tijela se smiju koristiti samo za preporučene mogućnosti primjene. Npr.: ne brusite nikada sa bočnom površinom brusne ploče za rezanje.** Brusne ploče za rezanje predviđene su za rezanje materijala sa rubom ploče. Bočnim djelovanjem na ova brusna tijela one se mogu polomiti.
- e) **Za brusne ploče koje ste odabrali koristite uvijek neoštećene stezne prirubnice odgovarajuće veličine i oblika.** Prikladne prirubnice služe za stezanje brusnih ploča i tako smanjuju opasnost od loma brusnih ploča. Prirubnice za brusne ploče za rezanje mogu se razlikovati od prirubnica za ostale brusne ploče.
- f) **Ne koristite istrošene brusne ploče velikih električnih alata.** Brusne ploče za velike električne alate nisu predviđene za veće brojeve okretaja manjih električnih alata i mogu puknuti.

#### **Ostale upute upozorenja za brusne ploče za rezanje**

- a) **Izbjegavajte blokiranje brusnih ploča za rezanje ili preveliki pritisak. Ne izvodite prekomjerno duboke rezove.** Preopterećenje brusnih ploča za rezanje povećava njihovo naprezanje i sklonost skosenja iz vertikalnog položaja ili blokiranja i time mogućnost povratnog udara ili loma brusne ploče.

#### **b) Izbjegavajte područja ispred i iza rotirajuće brusne ploče.**

Ako brusnu ploču za rezanje u izratku pomičete dalje od sebe, u slučaju povratnog udara električni alat sa rotirajućom pločom bi se mogao izravno odbaciti na vas.

c) **Ukoliko bi se brusna ploča za rezanje uklještila ili vi prekidate rad, isključite električni alat i držite ga mirno, sve dok se brusna ploča ne zaustavi. Ne pokušavajte nikada brusnu ploču koja se još vrti vaditi iz reza, jer bi inače moglo doći do povratnog udara.** Ustanovite i otklonite uzrok uklještenja.

d) **Ne uključujte ponovno električni alat sve dok se brusna ploča za rezanje nalazi zarezana u izratku. Prije nego što oprezno nastavite sa rezanjem, ostavite da brusna ploča za rezanje prvo postigne svoj puni broj okretaja.** Inače bi se brusna ploča mogla zaglaviti, odskočiti iz izratka ili uzrokovati povratni udar.

e) **Podložite ploče ili velike izratke, kako bi se izbjegla opasnost povratnog udara od uklještenne brusne ploče za rezanje.** Veliki izraci se mogu prognuti pod djelovanjem svoje vlastite težine. Izradak se mora osloniti na obje strane, i to kako u blizini brusne ploče za rezanje, tako i na rubu.

f) **Posebno oprezni budite kod „rezanja džepova“ u postojećim zidovima ili drugim područjima.** Brusna ploča za rezanje koja je zarezala plinske ili vodovodne cijevi, električne vodove ili ostale objekte, može uzrokovati povratni udar.

#### **Posebne upute upozorenja za brušenje brusnim papirom:**

a) **Ne koristite predimenzionirane brusne listove, nego se pridržavajte podataka proizvođača za veličine brusnih listova.** Brusni listovi koji strše izvan brusnih tanjura mogu uzrokovati ozljede i dovesti do blokiranja, trganja brusnih listova ili do povratnog udara.

#### **Posebne upute upozorenja za radove sa čeličnim četkama:**

- a) **Obratite pažnju na to, da žičana četka i za vrijeme normalne upotrebe gubi komade žice. Žice nemojte opterećivati previsokom tlačnom silom.** Unako lode letjeći komadi žice mogu prodirjeti kroz laku odjeću i/ili kroz kožu.
- b) **Kada se preporučuje korištenje štitičnika, treba spriječiti dodirivanje štitičnika i čelične četke.** Tanjuraste i lončaste četke mogu zbog pritiska i centrifugalne sile povećati svoj promjer.

#### **Ostale sigurnosne i radne upute**

Uvijek provjerite je li dugme za blokiranje vretena potpuno otpušteno prije uključivanja alata! Nakon blokiranja vretena u svrhu pričvršćivanja / otpuštanja abrazivnog diska, moguće je da se dugme zaglavilo u položaju za blokiranje. Međutim, to može pokrenuti alat ili zaštitu baterije, što će smanjiti snagu alata. Isključite prekidač, uklonite bateriju pa pažljivo pomičite disk naprijed-natrag da se otpusti dugme za blokiranje vretena. Napomena: Ako se aktivirala i zaštitna baterija, samo uklonite baterijski sklop iz alata i ponovo ga vratite ga tako da resetirate zaštitu.

Kod brušenja metala dolazi do iskrenja. Obratiti pažnju, da se ne ugrožavaju osobe. Zbog opasnosti od požara u blizini se ne smiju nalaziti gorivi materijali (područje leta iskri). Ne primijeniti usisavanje prašine.

Izbjegavajte da iskre i prašina brušenja ne pogode tijelo.

Ne sezati u područje opasnosti radećeg stroja.

Piljevina ili iverje se za vrijeme rada stroja ne smiju odstranjivati.

Aparat odmah isključiti, ako dođe do bitnih tritanja, ili ako se utvrde drugi nedostaci. Provjerite stroj, kako bi utvrdili uzrok.

Kod ekstremnih uslova radova (npr. kod glatkog brušenja metala sa potporim tanjurima i diskovima od vulkaniziranog vlakna za



brušenje) se može naložiti jaki talog prljavštine u unutrašnjosti kutnog brusca.

Zbog opasnosti od kratkog spoja metalni dijelovi ne smiju dospjeti u otvore za prozračivanje.

**UPOZORENJE!** Zbog izbjegavanja opasnosti od požara jednim kratkim spojem, opasnosti od ozljeda ili oštećenja proizvoda, alat, izmjenjivi akumulator ili napravu za punjenje ne uronjavati u tekućine i pobirnite se za to, da u uređaje ili akumulator ne prodire nikakve tekućine. Korozirajuće ili vodljive tekućine kao slana voda, određene kemikalije i sredstva za bijeljenje ili proozvodi koji sadrže sredstva bijeljenja, mogu prouzročiti kratak spoj.

Baterije za zamjenu u uređaje za punjenje ne otvarati i čuvati ih samo u suhim prostorijama. Čuvati protiv vlage.

Baterije sistema GBS puniti samo sa uređajem za punjenje sistema GBS. Ne puniti baterije iz drugih sistema.



Hrv

### PREOSTALE OPASNOSTI

Čak i ako se kutna brusilica koristi kao što je to gore opisano, i dalje je nemoguće potpuno ukloniti određene faktore preostalog rizika. Mogu se pojaviti sljedeći rizici i rukovatelj treba na njih obratiti posebnu pozornost kako bi ih izbjegao:

#### **Ozljede izazvane česticama u letu.**

Metalne ili abrazivne čestice mogu dospjeti u oči i uzrokovati ozbiljna trajna rješenja.

Uvijek kada koristite alat, nosite zaštitne naočale odobrene za poslove brušenja

#### **Ozljede izazvane vibracijama.**

Ograničite izlaganje. Vidi UPOZORENJE o vibracijama!

#### **Ozljede izazvane prašinom.**

Nosite odgovarajuće maske protiv prašine s filterima prikladnim za zaštitu od čestica materijala koji se obrađuje te abrazivnih čestica brusnog diska.

U radnom prostoru zabranjena je konzumacija hrane, napitaka kao i pušenje. Osigurajte prikladnu ventilaciju.

#### **Ozljede izazvane kontaktom s brusnim diskom.**

Disk i obradak se za vrijeme rada zagrijavaju. Dok mijenjate disk ili dodirujete obradak, nosite rukavice. Ruke uvijek držite podalje od područja brušenja.

Kad god je moguće, stegnite obradak.

#### **Ozljede izazvane bukom.**

Dugotrajno izlaganje buci povećava rizik od oštećenja sluha, s kumulativnim učinkom. Ako motorne alate koristite dulje vrijeme, nosite zaštitu za sluh.

Ozljede mogu biti uzrokovane ili s pogoršati uslijed produžene uporabe alata. Ako bilo koji alat koristite duže vrijeme, radite redovite stanke.

### PROPISNA UPOTREBA

Kutna brusilica namijenjena je za brušenje i rezanje metala, kamena, žbuke i keramičkih materijala te pjeskarenje i poliranje žičanom četkom.

Za radove rezanja koristite kapicu iz programa dodatne zaštitne opreme.

U nedoumici poštivati upute proizvođača pribora.

Električni alat je prikladan samo za suhu obradu.

Na kutnu brusilicu smiju se postavljati samo prikladni diskovi za brušenje ili rezanje te pripadajući štitnici (štitnik za brušenje i štitnik za rezanje) kako je opisano u odjeljku sa specifikacijama proizvoda ovog priručnika. Kutna brusilica namijenjena je za ručno

korištenje, ne smije se montirati na naprave za držanje ili radne klupe.

Proizvod nemojte koristiti u svrhe za koje nisu namijenjeni.

### RADNE UPUTE

Kod brusnih sredstava, koja bi trebala biti opremljeni pločom sa navojem, utvrditi, da li je navoj u ploči dovoljno dug za vreteno.

Rezne i brusne ploče upotrijebiti i čuvati uvijek po podacima proizvođača.

Prilikom grube obrade i prosjecanja uvijek raditi sa zaštitnom kapom.

Koljenčaste brusne ploče moraju biti montirane tako, da njihova brusna površina ne strši preko ravnine ruba zaštitne kape.

Matica priručnice mora prije puštanja stroja u rad biti zategnuta.

Uvijek primijeniti dodatnu ručicu.

Radni predmet koji se obrađuje mora biti čvrsto stegnut, ako se ne drži svojom osobnom težinom. Radni predmet ne nikada voditi rukom prema ploči.

### BATERIJE

Temperatura od preko 50°C smanjuje učinak baterija. Duže zagrijavanje od strane sunca ili grijanja izbjeci.

Priključne kontakte na uređaju za punjenje i baterijama držati čistima.

Za optimalni vijek trajanja se akumulatori poslije upotrebe moraju sasvim napuniti. Baterije koje duže vremena nisu korištene, prije upotrebe napuniti.

Za što moguće duži vijek trajanja, akumulatori se nakon punjenja moraju odstraniti iz punjača.

Kod skladištenja akumulatora duže od 30 dana; Akumulator skladištiti na suhom kod ca. 27°C., Akumulator skladištiti kod ca. 30%-50% stanja punjenja., Akumulator ponovno napuniti svakih 6 mjeseci.

Istrošene baterije za zamjenu ne bacati u vatru ili u kućno smeće. AEG nudi mogućnost uklanjanja starih baterija odgovarajuće okolini; upitajte molimo Vašeg stručnog trgovca.

Baterije za zamjenu ne čuvati skupa sa metalnim predmetima (opasnost od kratkog spoja).

### ZAŠTITA OD PREOPTEREĆENJA AKUMULATORA

Kod preopterećenja akumulatora prevelikom potrošnjom struje, npr. ekstremno visoki zakretni momenti, uklještenje radnog alata, naglo zaustavljanje ili kratak spoj, električni alat se zaustavlja 2 sekunde i isključuje se samostalno. Za resetiranje, uklonite baterijski sklop iz alata i vratite ga.

Pod ekstremnim opterećenjima se akumulator prejako zagrije. U tome slučaju trepere sve lampice pokazivača punjenja, sve dok se akumulator ne ohladi. Poslije gašenja pokazivača punjenja se može nastaviti sa radom. Akumulator zatim utaknuti u punjač kako bi se ovaj ponovno napunio i zatim aktivirao.

### TRANSPORT LITIJSKIH IONSKIH BATERIJA

Litijske-ionske baterije spadaju pod zakonske odredbe u svezi transporta opasne robe.

Privezov ovih baterija mora uslijediti uz poštivanje lokalnih, nacionalnih i internacionalnih propisa i odredaba.

Korisnici mogu bez ustručavanja ove baterije transportirati po cestama.

Komercijalni transport litijsko-ionskih baterija od strane transportnih poduzeća spada pod odredbe o transportu opasne

robe. Otpremničke pripreve i transport smiju izvoditi isključivo odgovarajuće školovane osobe. Kompletan proces se mora pratiti na stručan način.

Kod transporta baterija se moraju poštivati sljedeće točke:

Uvjerite se da su kontakti zaštićeni i izolirani kako bi se izbjegli kratki spojevi. Pazite na to, da blok baterija unutar pakiranja ne može proklizavati. Oštećene ili iscurjele baterije se ne smiju transportirati. U svezi ostalih uputa obratite se vašem prijevoznom poduzeću.

### ZAŠTITA PROTIV PONOVRNOG POKRETANJA

Nulnaponska isklopka sprječava ponovno startanje stroja nakon jednog prekida struje (promjena baterija).

Kod ponovnog početka rada stroj isključiti i ponovno uključiti.

### NJEŽAN START

Elektronički nježan start za sigurno rukovanje sprječava kod uključivanja grubi start stroja.

### ODRŽAVANJE

Prije svih radova na stroju izvaditi bateriju za zamjenu.

Prореze za prozračivanje stroja uvijek držati čistima.

Primijeniti samo AEG opremu i rezervne dijelove. Sastavne dijelove, čija zamjena nije opisana, dati zamijeniti kod jedne od AEG servisnih službi (poštivati brošuru Garancija/Adrese servisa).

Po potrebi se može zatražiti crtež eksplozije aparata uz davanje podataka o tipu stroja i desetoznamenkastog broja na pločici snage kod Vaše servisne službe ili direktno kod Techtronic Industries GmbH, Max-Eyth-Straße 10, 71364 Winnenden, Germany.

### CE-IZJAVA KONFORMNOSTI

Izjavljujemo pod vlastitom odgovornošću da proizvod opisan u odjeljku „Tehnički podaci“ ispunjava sve potrebne odredbe smjernica

2011/65/EU (RoHS)

2006/42/EC

2014/30/EU

i da su korišteni sljedeći usklađeni standardi

EN 60745-1:2009 + A11:2010

EN 60745-2-3:2011 + A2:2013 + A11:2014 + A12:2014 + A13:2015

EN 55014-1:2017

EN 55014-2:2015

EN 50581:2012



Winnenden, 2018-08-16

Alexander Krug / Managing Director

Ovlašten za formiranje tehničke dokumentacije.

Techtronic Industries GmbH

Max-Eyth-Straße 10, 71364 Winnenden, Germany

### SIMBOLI



PAŽNJA! UPOZORENIE! OPASNOST!



Molimo da pažljivo pročitate uputu u upotrebi prije puštanja u rad.



Kod radova na stroju uvijek nositi zaštitne naočale.



Nositi zaštitne rukavice!



Prije svih radova na stroju izvaditi bateriju za zamjenu.



Sustav protiv vibracija



Ne upotrebljavati silu.



Samo za rezačke radove.



Samo za brusne radove.



Tijekom pokretanja i zaustavljanja alata, nemojte pritiskati dugme za blokiranje vretena.



Oprema - u opsegu isporuke nije sadržana, preporučena dopuna iz promograma opreme.



Rezervni dio - nije uključeno u standardnu opremu, dostupno kao rezervni dio.



Elektrouredaji, baterije/akumulatori se ne smiju zbrinjavati skupa sa kućnim smećem. Električni uredaji i akumulatori se moraju skupljati odvojeno i predati na zbrinjavanje primjereno okolišu jednom od pogona za iskorišćavanje. Raspitajte se kod mjesnih vlasti ili kod stručnog trgovca u svezi gospodarstva za recikliranje i mjesta skupljanja.



Istosmjerna struja



Napon



Nazivni broj okretaja



Europski znak suglasnosti

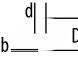
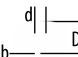




Ukrajinski znak suglasnosti



Euroazijski znak suglasnosti



TEHNISKIE DATI Akumulatora leņķa slīpmašīna	BEWS18-115BL	BEWS18-125BL
Izlaides numurs	4693 80 01 ... 4690 25 01 ... ... 000001-999999	4693 85 01 ... 4690 40 01 ... ... 000001-999999
Akumulātorā spriegums	18 V	18 V
Nominālais griešanās ātrums	11000 min <sup>-1</sup>	11000 min <sup>-1</sup>
D= Slīpdisks ar diametru maksimālais d= urbuma ø	115 mm 22,2 mm	125 mm 22,2 mm
 b= Griešanas diska biezums minimālais / maksimālais	1/3 mm	1/3 mm
 b= Slīpripas biezums maksimālais	6 mm	6 mm
 D= Slīpēšanas virsmas diametrs ø maksimālais	115 mm	125 mm
 D= Koniskās birstes diametrs ø maksimālais	75 mm	75 mm
Vārpstas vijums	M 14	M 14
Svars atbilstoši EPTA -Procedure 01/2014 (Li-Ion 1,5 Ah...9,0 Ah)	2,4 kg ... 3,1 kg	2,4 kg ... 3,1 kg
Darbībai ieteicamā apkārtnes temperatūra	-18°C ... +50°C	-18°C ... +50°C
Ieteicamie akumulatoru komplekti	L18...	L18...
Ieteicamās uzlādes ierīces	AL1218... / BL 1218...	AL1218... / BL 1218...
<b>Trokšņu informācija</b>		
Vērtības, kas noteiktas saskaņā ar EN 60745. A novērtētās aparātūras skaņas līmenis ir:		
Trokšņa spiediena līmenis (Nedrošība K=3dB(A))	83dB(A)	83dB(A)
Trokšņa jaudas līmenis (Nedrošība K=3dB(A))	84dB(A)	84dB(A)
<b>Nēsāt trokšņa slāpētāju!</b>		
<b>Vibrāciju informācija</b>		
Svārstību kopējā vērtība (Trīs virzienu vektoru summtiek noteikta atbilstoši EN 60745.		
Virsmas slīpēšana (Li-Ion 1,5 Ah): svārstību emisijas vērtība a <sub>h,AG</sub>	9,4m/s <sup>2</sup>	9,4m/s <sup>2</sup>
Nedrošība K=	1,5 m/s <sup>2</sup>	1,5 m/s <sup>2</sup>
Slīpēšana ar slīppapīru (Li-Ion 1,5 Ah): svārstību emisijas vērtība a <sub>h,DS</sub>	5,7m/s <sup>2</sup>	5,7m/s <sup>2</sup>
Nedrošība K=	1,5 m/s <sup>2</sup>	1,5 m/s <sup>2</sup>

Izmantojot citur, piem., veicot abrazīvo griešanu vai slīpējot ar tērauda birsti, vibrācijas lielumi var būt citādi!

## BRĪDINĀJUMI par vibrāciju!

Instrukcijā norādītā svārstību robežvērtība ir izmērīta mērījumu procesā, kas veikts atbilstoši standartam EN 60745, un to var izmantot elektroinstrumentu savstarpējai salīdzināšanai. Tā ir piemērota arī svārstību noslogojuma pagaidu izvērtēšanai.

Norādītā svārstību robežvērtība ir reprezentatīva elektroinstrumenta pamata pielietojuma jomām. Tomēr, ja elektroinstrumenti tiek pielietoti citās jomās, papildus izmantojot neatbilstošus elektroinstrumentus vai pēc nepietiekamas tehniskās apkopes, tad svārstību robežvērtība var atšķirties. Tas var ievērojami palielināt svārstību noslogojumu visa darba laikā.

Precīzai svārstību noslogojuma noteikšanai, ir jāņem vērā arī laiks, kad ierīces ir ieslēgta vai arī ir ieslēgta, tomēr faktiski netiek lietota. Tas var ievērojami samazināt svārstību noslogojumu visa darba laikā.

Integrējiet papildus drošības pasākumus pret svārstību ietekmi lietotajam, piemēram: elektroinstrumentu un darba instrumentu tehniskā apkope, roku siltuma uzturēšana, darba procesu organizācija.

## UZMANĪBU!

**Izlasiet visu drošības instrukciju un lietošanas pamācību klāt.** Šeit sniegto drošības noteikumu un norādījumu neievērošana var izraisīt aizdegšanos un būt par cēloni elektriskajam triecienam vai nopietnam savainojumam.

**Pēc izlasīšanas uzglabājiet šos noteikumus turpmākai izmantošanai.**

Latviski



### Ierīces apraksts

- |  |   |
|--|---|
| ① Vārpstas bloķētājs   | ⑥ Aizsargbloķēšanas svira               |
| ② Papildu rokturis / AVS<br>Papildu rokturis<br>Izolēta satveršanas virsma | ⑦ Piederumi                             |
| ③ Rokturis Izolēta<br>satveršanas virsma                                   | ⑧ Atloks                                |
| ④ Ieslēgšanas/izslēgšanas<br>slēdzis                                       | ⑨ Atlokuzgrieznis /FIXTEC<br>uzgrieznis |
| ⑤ Slīpēšanas aizsargs  | ⑩ Baterija                              |
|  | ⑪ Putekļu filtrs                        |
|  | ⑫ Zžāģēšanas aizsargs                   |

### ⚠ DROŠĪBAS TEHNIKAS NOTEIKUMI LEŅĶA SLĪPMAŠĪNAI

**Kopējie drošības noteikumi slīpēšanai, slīpēšanai ar smilšpapīra loksni, darbam ar stieplu suku, pulēšanai un griešanai:**

- Šis elektroinstrumentu ir lietojams kā slīpmašīna, kas piemērota arī slīpēšanai ar smilšpapīra loksni, darbam ar stieplu suku, pulēšanai un griešanai. Ņemiet vērā visas elektroinstrumentam pievienotās instrukcijas, norādījumus, attēlus un citu informāciju. Turpmāk sniegto norādījumu neievērošana var kļūt par cēloni elektriskajam triecienam, ugunsgrēkam un/vai smagam savainojumam.
- Šis elektroinstrumentu nav piemērots pulēšanai. Šis ierīces izmantošana mērķiem, kuriem tā nav paredzēta, var to sabojāt.
- Neizmantojiet piederumus, kurus ražotājs firma nav paredzējusi šim elektroinstrumentam un ieteikusi lietošanai kopā ar to. Iespēja nopirkt piederumu uz elektroinstrumenta vēl negarantē tā drošu lietošanu.
- Iesaistāmā instrumenta pieļaujamajam apgriezīgu skaitam jābūt vismaz tik augstam kā uz elektroinstrumenta norādītajam maksimālajam apgriezīgu skaitam. Aprikojums, kurš rotē ātrāk par pieļaujamo ātrumu, var salūzt un tikt atmetts atpakaļ.
- Darbinstrumentu ārējām diametram un biežumam jāatbilst elektroinstrumenta konstrukcijai un izmēriem. Ja darbinstrumenta izmēri ir izvēlēti nepareizi, tas pilnībā nenovietojas zem aizsarga un darba laikā apgrūrina instrumenta vadību.
- Papildpiederumu vitnei ir jāsakrīt ar slīpēšanas vārpstas vitni. Piederumiem, kas tiek piestiprināti ar atloku, fiksācijas serdena urbūram papildpiederumi ir jāsakrīt ar

lokalizācijas atloka diametru. Papildpiederumi, kas neder uz montāžas serdena, griežas ekscentriski, pārmērīgi spēcīgi vibrē un var izraisīt kontroles zudumu pār darba rīku.

**g) Neizmantojiet bojātus darbinstrumentus. Ik reizi pirms darbinstrumentu lietošanas pārbaudiet, vai tie nav bojāti, piemēram, vai slīpēšanas diski nav atslāņojušies vai iekļāvušies, vai slīpēšanas pamatnē nav vērojamas plaisas un vai stieplu suku veidojošās stieples nav vaļīgas vai atslūzās. Ja elektroinstrumentu vai darbinstrumentu ir kritis no zināmā augstuma, pārbaudiet, vai tas nav bojāts, vai arī izmantojiet darbam nebojātus darbinstrumentus. Pēc darbinstrumenta apskates un iestiprināšanas ļaujiet elektroinstrumentam darboties ar maksimālo griešanās ātrumu vienu minūti ilgi, turot rotējošo darbinstrumentu drošā attālumā no sevis un citām tuvumā esošajām personām. Bojātie darbinstrumenti šādas pārbaudes laikā parasti salūst.**

**h) Lietojiet individuālos darba aizsardzības līdzekļus. Atkarībā no veicamā darba rakstura izvēlieties pilnu sejas aizsargu, noslēdzošas aizsargbrilles vai parastās aizsargbrilles. Lai aizsargātos no lidojošajām slīpēšanas darbinstrumentu un apstrādājamā materiāla daļiņām, pēc vajadzības lietojiet putekļu aizsargmasku, ausu aizsargu un aizsargcimdus vai arī īpašu priekšautu. Lietotāja acis jāpasargā no lidojošajiem svešķermeņiem, kas dažkārt rodas darba gaitā. Putekļu aizsargmaskai vai respiratoram jāpasargā lietotāja elpošanas ceļi no putekļiem, kas veidojas darba laikā. Ilgstoši atrodoties stipra trokšņa iespaidā, var rasties paliekoši dzirdes traucējumi.**

**i) Sekojiet, lai citas personas atstotos drošā attālumā no darba vietas. Ikvienam, kas atrodas darba vietas tuvumā, jālieto individuālie darba aizsardzības līdzekļi. Apstrādājamā priekšmeta atlūzas vai salūzuša darbinstrumenta daļas var lidot ar ievērojamu ātrumu un nodarīt kaitējumu cilvēku veselībai arī ievērojamā attālumā no darba vietas.**

**j) Lerīci turiet aiz izolētiem rokturiem, ja veicat darbus, kuros griešanas darbiem izmantojamais instruments var skart paslēptus elektrovadus. Šī instrumenta saskare ar strāvu vadošiem kabeļiem var radīt spriegumu arī ierīces metāliskajās daļās un var izraisīt elektrisko triecienu.**

**k) Nekad nenolieciet elektroinstrumentu malā, pirms nav pilnībā apstājies darba instruments. Rotējošais darbinstrumentu var skart atbalsta virsmu, kā rezultātā elektroinstrumentu var kļūt nevadams.**

**l) Nedarbiniet elektroinstrumentu laikā, kad tas tiek pārvietots. Lietotāja apģērbs vai mati var nejauši nonākt saskarē ar rotējošo darbinstrumentu un iekerties tajā, izraisot darbinstrumenta saskaršanos ar lietotāja ķermeni.**

**m) Regulāri tīriet elektroinstrumenta ventilācijas atveres. Dzinēju ventilējošā gaisa plūsma ievēl putekļu instrumenta korpusā, bet liela metāla putekļu daudzuma uzkrāšanās var būt par cēloni elektrotraumai.**

**n) Nelietojiet elektroinstrumentu ugunsdrošu materiālu tuvumā. Lidojošās dzirksteles var izraisīt šādu materiālu aizdegšanos.**

**o) Nelietojiet nomaināmos darbinstrumentus, kuriem jāpievada dzesējošais šķidrums. Ūdens vai citu šķidr dzesēšanas līdzekļu izmantošana var būt par cēloni elektriskajam triecienam.**

### Atsitiens un ar to saistītie norādījumi

Atsitiens ir specifiska instrumenta reakcija, pēkšņi iekeroties vai iestrēgstot rotējošam darbinstrumentam, piemēram, slīpēšanas diskam, slīpēšanas pamatnei, stieplu sukai u. t. t. Rotējoša darbinstrumenta iekēršanās vai iestrēgšana izraisa tā pēkšņu apstāšanos. Tā rezultātā elektroinstrumentu pārvietojas virzienā, kas pretējs



darbinstrumenta kustības virzienam iestrēguma vieta, un nereti kļūst nevadāms.

Ja, piemēram, slīpēšanas disks iekeras vai iestrēgst apstrādājamajā priekšmetā, tajā iegremdētā diska mala var izrautes no apstrādājamā materiāla vai izraisīt atsitieni. Šādā gadījumā slīpēšanas disks pārvietojas lietotāja virzienā vai arī prom no viņa, atkarībā no diska rotācijas virziena attiecībā pret apstrādājamo priekšmetu. Turklāt slīpēšanas disks var salūzt.

Atsitēns ir sekas elektroinstrumenta nepareizai vai neprasīgai lietošanai. No tā var izvairīties, ievērojot zināmus piesardzības pasākumus, kas aprakstīti turpmākajā izklāstā.

**a) Stingri turiet elektroinstrumentu un ienemiet tādu ķermeņa un roku stāvokli, kas vislabāk ļautu pretoties atsitiena spēkam. Vienmēr izmantojiet papildrokturi, kas ļauj optimāli kompensēt atsitieni vai reaktīvo griezes momentu un saglabāt kontroli pār instrumentu.** Veicot zināmus piesardzības pasākumus, lietotājs jebkurā situācijā spēj efektīvi pretoties atsitienam un reaktīvajam griezes momentam.

**b) Netuviniet rokas rotējošam darbinstrumentam.** Atsitiena gadījumā darbinstruments var skart ar lietotāja roku.

**c) Izvairieties atrasties vietā, kurp varētu pārvietoties elektroinstrumenta atsitiena brīdī.** Atsitiena brīdī elektroinstrumenta pārvietojas virzienā, kas pretējs darbinstrumenta kustības virzienam iestrēguma vietā.

**d) Ievērojiet īpašu piesardzību, strādājot stūru un asu malu tuvumā. Nepieļaujiet, lai darbinstruments atlektu no apstrādājamā priekšmeta vai iestrēgtu tajā.** Saskaņoties ar stūriem vai asām malām rotējošais darbinstruments izliecas un atlec no apstrādājamā priekšmeta vai iestrēgst tajā. Tas var būt par cēloni kontroles zaudēšanai pār instrumentu vai atsitienam.

**e) Neizmantojiet ķēdes vai zobu rīpžāgi.** Šādi darba instrumenti bieži izraisa atsitieni vai kontroles zaudēšanu pār elektroinstrumentu.

### Īpašie drošības noteikumi, veicot slīpēšanu un griešanu

**a) Lietojiet vienīgi jūsu rīcībā esošajam elektroinstrumentam piemērotus slīpēšanas darbinstrumentus un šādiem darbinstrumentiem paredzētu aizsargu.** Aizsargs var nepietiekami nosēgt nepiemērotus slīpēšanas darbinstrumentus, līdz ar to neļaujot panākt vēlamo darba drošību.

**b) Slīpdiski, kas parasti ir augstāki par slīpripām, ir jāuzstāda tā, lai to slīpējamā virsma neatrastos ārpus diska aizsarga.** Neatbilstoši noteikumiem uzstādītu slīpdisku, kas sniedzas pāri aizsarga malai, nav iespējams pilnībā nosēgt.

**c) Vienmēr izmantojiet aizsargu, kas paredzēts lietošanai kopā ar attiecīgā tipa slīpēšanas darbinstrumentiem.** Aizsargam jābūt uzstādāmam un nostiprināmam uz elektroinstrumenta tā, lai tas ļautu panākt iespējami lielāku darba drošību, t. i., lai lietotāja virzienā būtu vērsta iespējami mazāka slīpēšanas darbinstrumenta nenosēgtā daļa. Aizsarga uzdevums ir pasargāt lietotāju no lidojošajām daļiņām un saskaršanās ar slīpēšanas darbinstrumentu.

**d) Slīpēšanas darbinstrumentu drīkst izmantot vienīgi tādā veidā, kādam tas ir paredzēts.** Piemēram, nekad neizmantojiet slīpēšanai griešanas diska sānu virsmu. Griešanas disks ir paredzēts materiālu apstrādei ar malas griezējškautni. Stiprs spiediēns sānu virzienā var salauzt šo darbinstrumentu.

**e) Kopā ar izvēlēto slīpēšanas disku izmantojiet vienīgi nebojātu piespiedējuzgriezni ar piemērotu formu un izmēriem.** Piemērota tipa piespiedējuzgrieznis darba laikā droši balsta slīpēšanas disku un samazina tā salūšanas iespēju. Kopā ar griešanas diskem izmantojamie piespiedējuzgriežņi var atšķirties

no piespiedējuzgriežņiem, kas lietojami kopā ar citu veidu slīpēšanas diskām.

**f) Neizmantojiet nolietotus slīpēšanas diskus, kas paredzēti lielākas jaudas elektroinstrumentiem.** Lielākiem elektroinstrumentiem paredzētie slīpēšanas diski nav piemēroti darbam mazākos elektroinstrumentos, kuru griešanas ātrums parasti ir lielāks, un tāpēc tie darba laikā var salūzt.

### Citi īpašie drošības noteikumi, veicot griešanu

**a) Neizdariet pārlieku lielu spiedienu uz griešanas disku un nepieļaujiet tā iestrēgšanu.** Neveidojiet pārāk dziļus griezumus. Pārlogojot griešanas disku, tas biežāk iekeras vai iestrēgst griezumā, un līdz ar to pieaug arī atsitiena vai darbinstrumenta salūšanas iespēja.

**b) Izvairieties atrasties rotējošā griešanas diska priekšā vai aiz tā.** Ja darba laikā lietotājs pārvieto griešanas disku prom no sevis apstrādājamā priekšmeta virzienā, tad atsitiena gadījumā elektroinstrumenta rotējošā griešanas disku tiks sviests tieši lietotāja virzienā.

**c) Pārtraucot darbu vai iestrēgstot griešanas diskam, izslēdziet elektroinstrumentu un turiet to nekustīgi, līdz griešanas disks pilnīgi apstājas. Nemēģiniet izvilkēt no griezuma vēl rotējošu griešanas disku, jo šāda darbība var būt par cēloni atsitienam.** Noskaidrojiet un novērsiet diska iestrēgšanas cēloni.

**d) Neieslēdziet elektroinstrumentu no jauna, ja tajā iestiprinātais darbinstruments atrodas griezuma vietā.** Pēc ieslēgšanas nogaidiet, līdz darbinstruments sasniegjis pilnu griešanas ātrumu, un tikai tad uzmanīgi turpiniet griešanu. Pretējā gadījumā griešanas disks var iekerties griezumā vai izlekt no tā, kā arī var notikt atsitēns.

**e) Lai samazinātu atsitiena risku, iestrēgstot griešanas diskam, atbilstiet griezāmā materiāla loksnes vai liela izmēra apstrādājamus priekšmetus.** Lielī priekšmeti var saliekties paši sava svara iespaidā. Apstrādājama priekšmets jāatbalsta abās pusēs – gan griezuma tuvumā, gan arī priekšmeta malā.

**f) Esiet īpaši piesardzīgs, ja jums ir jāveic izzāģējums sienā vai kādā citā jums nezināmā vietā.** Iegremdējot griešanas disku materiālā, tas var skart gāzes vadu, ūdensvadu, elektropārvades līniju vai citu objektu, kas savukārt var izraisīt atsitieni un/vai būt par cēloni savainojumam.

### Īpašie drošības noteikumi, veicot slīpēšanu ar smilšpapīra loksni:

**a) Neizmantojiet lielāka izmēra slīploknes, izvēlieties darbam slīploknes ar izmēriem, ko norādījusi ražotājfirma.** Ja slīplokne sniedzas pāri slīpēšanas pamatnes malām, tas var būt par cēloni savainojumam, izsaupt slīploknes iestrēgšanu vai plīšanu, kā arī izraisīt atsitieni.

### Īpašie drošības noteikumi, veicot apstrādi ar stieplu suku:

**a) Pat veicot parastas operācijas, pārliecinieties, lai stieplu sari tiktu pārklāti ar birsti. Attirot vadus, neizdariet uz birsti pārlieku lielu spiedienu.** Stieplu sari viegli var izdurties cauri vieglam audumam un savainot ādu.

**b) Lietojot aizsargu, nepieļaujiet tā saskaršanos ar stieplu suku.** Kausveida un diskeveida stieplu sukām spiediēna un centrālās spēka iespaidā var palielināties diametrs.

### Citas drošības un darba instrukcijas

Vienmēr pārliecinieties, ka vārpstas bloķētāja poga pirms ierīces ieslēgšanas ir pilnībā atlaista! Ja izmantojat vārpstas bloķētāju, lai pievilktu / atbrīvotu abrazīvo disku, ka poga, iespējams, paliks bloķēšanas pozīcijā. Ja aktivizēta baterijas aizsardzība, izņemiet



Lat



akumulatoru no darbarīka un ielieciet to atpakaļ, tādā veidā iedestatot vārpstas bloķētāju.

Piezīme: Pat lietojot leņķa slīpmašīnu tā, kā norādīts, ir neiespējami pilnībā novērst noteiktus atlikušos riskus.

Slīpējot metālu, rodas dzirkstes. Vajag uzmanīties, lai netiktu apdraudētas personas. Sakarā ar ugunsgrēka draudiem, tuvumā (dzirksteli tuvumā) nedrīkst atrasties viegli degošas vielas vai priekšmeti. Nedrīkst izmantot putekļu sūcēju.

Izvairoties, lai dzirkstes un slīpēšanas putekļi nekrīt uz galvas. Neliekt rokas mašīnas darbības laikā.

Skaidas un atlūzas nedrīkst ņemt ārā, kamēr mašina darbojas.

Ja parādās stipras svārstības vai citi defekti, mašīnu vajag nekavējoties izslēgt. Mašīnu vajag nekavējoties pārbaudīt, lai noteiktu traucējumu cēloņus.

Izmantojot ekstrēmos lietošanas apstākļos (piem., metālu slīpējot ar šķīviņveida disku un vulkanizētās fibras slīpēšanas diskam), leņķa slīpmašīnas iekšpusē var rasties spēcīgs piesārņojums.

Sakarā ar to, ka var izraisīt īsslēdzienu, dzesēšanas atverēs nedrīkst iekļūt nekādi metāla priekšmeti.

**UZMANĪBU!** Lai novērstu issavienojuma izraisītu aizdegšanās, savainojumu vai produkta bojājuma risku, neiegremdējiet instrumentu, maināmo akumulatoru vai uzlādes ierīci šķidrums un rūpējieties par to, lai ierīcēs un akumulatoros neiekļūtu šķidrums. Koroziju izraisoši vai vadītspējīgi šķidrums, piemēram, sālsūdens, noteiktas ķīmikālijas, balinātāji vai produkti, kas satur balinātājus, var izraisīt issavienojumu.

Akumulatorus un lādētājus nedrīkst taisīt vaļā un tie jāuzglabā sausās telpās.

GBS sistēmas akumulatorus lādēt tikai ar GBS sistēmas lādētājiem. Nedrīkst lādēt citus akumulatorus no citām sistēmām.

## PĀRĒJIE RISKI

Pat tad, kad leņķa slīpmašīna tiek lietota atbilstoši norādēm, nav iespējams pilnībā novērst noteiktus neizbēgamos riska faktoros. Var rasties zemāk aprakstītie draudi, un operatoram jāpievērš īpašu uzmanību, lai izvairītos no šīm situācijām:

### Miesas bojājumi, ko apkārt lidojošas daļiņas.

Metāla vai abrazīvas daļiņas var nokļūt acīs un radīt nopietnus un paliekošus bojājumus.

Lietojot produktu, valkājiet brilles, kas paredzētas slīpēšanas darbu veikšanai.

### Miesas bojājumi, ko izraisa vibrācija.

Ierobežojiet saskari. Skatiet BRĪDINĀJUMI par vibrāciju!

### Miesas bojājumi, ko izraisa putekļi.

Valkājiet atbilstošu putekļu masku ar filtriem, kas pasargā no darba materiāla daļiņām un abrazīvām daļiņām no slīpēšanas diska.

Neēdiet, nedzeriet un nesmēķējiet darba zonā. Nodrošiniet tajā piemērotu ventilāciju.

### Ievainojumi, kas var rasties no saskares ar slīpēšanas disku.

Disks un sagatave lietošanas laikā uzkaršīs. Mainot diskus vai saskaroties ar sagatavi, valkājiet cimds. Vienmēr sargiet rokas, strādājot slīpēšanas vietā.

Ja iespējams, nostipriniet sagatavi.

### Trokšņa radītais traumas.

Ilgstošs trokšnis palielinās risku gūt dzirdes traumas. Izmantojot elektriskās ierīces ilgāku laiku, valkājiet dzirdes aizsardzības līdzekļus.

Ilgstoša kādas ierīces lietošana var radīt vai pasasināt miesas bojājumus. Lietojot jebkuru ierīci ilgstoši, ir jāievēro regulāri pārtraukumi.

## NOTEIKUMIEM ATBILSTOŠS IZMANTOJUMS

Leņķa slīpmašīna paredzēta metāla, akmens, betona un keramikas materiālu slīpēšanai un griešanai, kā arī apstrādei ar metāla birsti. Izmantojiet zaģa asmens pārsegu no zāģēšanas piederumu klāsta.

Visos gadījumos ievērojiet ražotāja noteiktos drošības noteikumus. Elektriskais instruments ir paredzēts tikai sausai apstrādei.

Leņķa slīpmašīnā vajadzētu izmantot tikai tai piemērotus slīpēšanas vai griešanas diskus un aizsargus (slīpēšanas vai griešanas aizsargus), nepieciešamā informācija norādīta šīs instrukcijas produkta specifikācijas sadaļā. Leņķa slīpmašīna paredzēta turēšanai rokās, tā nav jāiestiprina balstā vai darba galdā.

Izmantojiet ražojumu tikai tam paredzētajiem mērķiem.

## DARBA NORĀDĪJUMI

Attiecībā uz slīpēšanas materiāliem, ko paredzēts izmantot ar ripu, kurai ir vītne, vajag pārliecināties par to, ka ripas vītne izmērs atbilst vārpstas izmēram.

Atdalīšanas un slīpēšanas diskus izmantot un uzglabāt, ievērojot ražotāja norādījumus.

Veicot rupjo slīpēšanu un zāģējot instrumentam vienmēr nepieciešams aizsargpārvalks.

Slīpdiski, kas parasti ir augstāki par slīpripām, ir jāuzstāda tā, lai to slīpējamā virsma neatrastos ārpus diska aizsarga.

Disku saturošo uzgriezni pirms mašīnas darba uzsākšanas vajag pievilkt.

Vienmēr vajag izmantot papildus rokturi.

Apstrādājamā detaļa, ja to netur pašsvars, ir stingri jānostiprina. Nekādā gadījumā apstrādājamo detaļu nedrīkst spiest pie diska ar roku.

## AKUMULĀTORI

Pie temperatūras, kas pārsniedz 50°C, akumulatoru darbība tiek negatīvi ietekmēta. Vajag izvairīties no ilgākas saules un karstuma iedarbības.

Lādētāja un akumulatoru pievienojuma kontakti jāuztur tīri.

Lai baterijas darba ilgums būtu optimāls, pēc iekārtas izmantošanas tā jāuzlādē. Akumulatori, kas ilgāku laiku nav izmantoti, pirms lietošanas jāuzlādē.

Lai akumulatori kalpotu pēc iespējas ilgāku laiku, tos pēc uzlādes ieteicams atvienot no lādētājierīces.

Akumulatora uzglabāšana ilgāk kā 30 dienas; uzglabāt akumulatoru pie aptuveni 27°C un sausā vietā; Uzglabāt akumulatoru uzlādes stāvoklī aptuveni pie 30%-50%; Uzlādēt akumulatoru visus 6 mēnešus no jauna.

Izmantotos akumulatorus nedrīkst mest uguni vai parastajos atkritumos. Firma AEG piedāvā iespēju vecos akumulatorus savākt apkārtējo vidi saudzējošā veidā; jautājiet specializētā veikalā.

Akumulatorus nav ieteicams glabāt kopā ar metāla priekšmetiem (iespējams īsslēgums).

## AKUMULATORA AIZSARDZĪBA PRET PĀRSLOGOJUMU

Ja akumulatori tiek pārslodģoti ļoti liela strāvas patēriņa rezultātā, piemēram, ļoti lielos griezes momentos, iespējstot darba rikam, pēkšņi apstājoties vai issavienojuma gadījumā elektroinstruments apstājas uz 2 sekundēm un pats izslēdzas. Noņemiet akumulatora komplektu no ierīces un atlieciet to atpakaļ.



Esot ārkārtīgi augstam noslogojumam, akumulators sakarst pārāk daudz. Šādā gadījumā visas uzlādes indikatora lampiņas mirgo tik ilgi, kamēr akumulators ir atdzisis. Darbu varat turpināt, kad uzlādes indikators vairs nedeg. Akumulatoru var ievietot lādētājā, lai to atkal uzlādētu un aktivizētu.

### LITĪJA JONU AKUMULATORU TRANSPORTĒŠANA

Uz litija jonu akumulatoriem attiecas noteikumi par bīstamo kravu pārvadāšanu.

Šo akumulatoru transportēšana jāveic saskaņā ar vietējiem, valsts un starptautiskajiem normatīvajiem aktiem un noteikumiem.

Patērētāja darbības, pārvadājot šos akumulatorus pa autoceļiem, nav reglamentētas.

Uz litija jonu akumulatoru komerciālu transportēšanu, ko veic ekspedīcijas uzņēmums, attiecas bīstamo kravu pārvadāšanas noteikumi. Sagatavošanas darbus un transportēšanu drīkst veikt tikai atbilstoši apmācīts personāls. Visi process jāveda profesionāli.

Veicot akumulatoru transportēšanu, jāievēro:

Pārliecinieties, ka kontakti ir aizsargāti un izolēti, lai izvairītos no īssavienojumiem. Pārliecinieties, ka akumulators iepakojumā nevar paslidēt. Bojātus vai tekošus akumulatorus nedrīkst transportēt. Plašāku informāciju Jūs varat saņemt no ekspedīcijas uzņēmuma.

### AIZSARDZĪBA PRET ATKĀRTOTU PALAIŠANU

Nulles sprieguma slēdzis novērš iekārtas restartu pēc elektropadeves pārtraukuma (baterijas maiņa).

No jauna atsākot darbu, mašina ir jāizslēdz un atkal jāieslēdz.

### REGULĒTĀ PAKĀPENISKĀ

Elektroniski regulētā pakāpeniskā iedarbināšana novērš grūdienveida iedarbošanos pēc mašīnas iedarbināšanas.

### APKOPE

Pirms mašīnai veikt jebkāda veida apkopes darbus, ir jāizņem arī akumulators.

Vajag vienmēr uzmanīti, lai būtu tīras dzesēšanas atveres.

Izmantojiet tikai firmu AEG piederumus un firmas rezerves daļas. Lieciet nomainīt detaļas, kuru nomaiņa nav aprakstīta, kādā no firmu AEG klientu apkalpošanas servisiem. (Skat. brošūru „Garrantīja/klientu apkalpošanas serviss“.)

Ja nepieciešams, klientu apkalpošanas servisā vai tieši pie firmas Techtronic Industries GmbH, Max-Eyth-Straße 10, 71364 Winnenden, Germany, var pieprasīt instrumenta numurs, kas norādīts uz jaudas paneļa.

### ATBILSTĪBA CE NORMĀM

Mēs ar pilnu atbildību paziņojam, ka izstrādājums, kas raksturots sadaļā „Tehniskie dati“, atbilst visām attiecīgajām prasībām direktīvās

2011/65/ES (RoHS)

2006/42/EK

2014/30/ES

un ir piemēroti šādi saskaņotie standarti

EN 60745-1:2009 + A11:2010

EN 60745-2-3:2011 + A2:2013 + A11:2014 + A12:2014 + A13:2015

EN 55014-1:2017

EN 55014-2:2015

EN 50581:2012



Winnenden, 2018-08-16

Alexander Krug / Managing Director  
Pilnvarotais tehniskās dokumentācijas sastādīšanā.

Techtronic Industries GmbH  
Max-Eyth-Straße 10, 71364 Winnenden, Germany

### SIMBOLI



**UZMANĪBU! BĪSTAMI!**



Pirms sākt lietot instrumentu, lūdzu, izlasiet lietošanas pamācību.



Strādājot ar mašīnu, vienmēr jānēsā aizsargbrilles.



Jāvalkā aizsargcimdi!



Pirms mašīnai veikt jebkāda veida apkopes darbus, ir jāizņem arī akumulators.



PRETVIBRĀCIJAS sistēma



Nepielietot spēku



Tikai atdalīšanai



Tikai slipēšanai



Nespiediet vārpstas bloķētāja pogu, sākot darbu, un inerces griešanās laikā.



Piederumi - standartaprikojumā neietvertas, bet ieteicamās papildus komplektācijas detaļas no piederumu programmas.



Rezerves daļa. Nav standarta aprīkojumā, pieejama kā rezerves daļa.



Elektriskus aparātus, baterijas/akumulatorus nedrīkst utilizēt kopā ar majsaimniecības atkritumiem. Elektriski aparāti un akumulatori ir jāsavāc atsevišķi un jānodod atkritumu pārstrādes uzņēmumā videi saudzīgai utilizācijai. Jautājiet vietējā iestādē vai savam specializētajam tirgotājam, kur atrodas atkritumu pārstrādes uzņēmumi vai savākšanas punkti.



Līdzstrāve



Voltaža



Nominālais griešanās ātrums



Eiropas atbilstības zīme

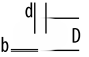
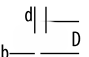




Ukrainas atbilstības zīme



Eirāzijas atbilstības zīme

Latviski

TECHNINIAI DUOMENYS Kampinis šlifuko klis su akumuliatoriumi	BEWS18-115BL	BEWS18-125BL
Produkto numeris	4693 80 01 ... 4690 25 01 ... ... 000001-999999	4693 85 01 ... 4690 40 01 ... ... 000001-999999
Keičiamo akumuliatoriaus įtampa	18 V	18 V
Nominalus sukčių skaičius	11000 min <sup>-1</sup>	11000 min <sup>-1</sup>
D= Šlifavimo diskų ø maks. d= Grežimo-ø  b= Pjovimo disko storis min. / maks.	115 mm 22,2 mm 1/3 mm	125 mm 22,2 mm 1/3 mm
 b= Šlifavimo disko storis maks.	6 mm	6 mm
 D= Šlifavimo paviršiaus ø maks.	115 mm	125 mm
 D= Šveitimo šepetio ø maks.	75 mm	75 mm
Suklio sriegis	M 14	M 14
Prietaiso svoris įvertintas pagal EPTA 01/2014 tyrimų metodiką (Li-Ion 1,5 Ah...9,0 Ah)	2,4 kg ... 3,1 kg	2,4 kg ... 3,1 kg
Rekomenduojama aplinkos temperatūra eksploatuojant	-18°C ... +50°C	-18°C ... +50°C
Rekomenduojami akumuliatoriai	L18...	L18...
Rekomenduojami įkrovikliai	AL1218... / BL 1218...	AL1218... / BL 1218...
<b>Informacija apie keliamą triukšmą</b> Vertės matuotos pagal EN 60745. Įvertintas A įrenginio keliamo triukšmo lygis dažniausiai sudaro:		
Garso slėgio lygis (Paklaida K=3dB(A))	83dB(A)	83dB(A)
Garso galios lygis (Paklaida K=3dB(A))	84dB(A)	84dB(A)
<b>Nešioti klausos apsaugines priemones!</b>		
<b>Informacija apie vibraciją</b> Bendroji svyravimų reikšmė (trijų krypčių vektorių suma), nustatyta remiantis EN 60745.		
Paviršių šlifavimas (Li-Ion 1,5 Ah): Vibravimų emisijos reikšmė a <sub>h,AG</sub>	9,4m/s <sup>2</sup>	9,4m/s <sup>2</sup>
Paklaida K=	1,5 m/s <sup>2</sup>	1,5 m/s <sup>2</sup>
Šlifavimas su šlifavimo popieriumi (Li-Ion 1,5 Ah: Vibravimų emisijos reikšmė a <sub>h,DS</sub> )	5,7m/s <sup>2</sup>	5,7m/s <sup>2</sup>
Paklaida K=	1,5 m/s <sup>2</sup>	1,5 m/s <sup>2</sup>

Panaudojant kitaip, pvz., atskiriamąją juostą arba juostą su plieninės vielos šepetėliu, gali atsirasti visiškai kitos vibravimo vertės!

### ĮSPĖJIMAS dėl vibracijos!

Instrukcijoje nurodyta svyravimų ribinė vertė yra išmatuota remiantis standartu EN 60745; ji gali būti naudojama keliems elektriniams instrumentams palyginti. Ji taikoma ir laikinai įvertinti svyravimų apkrovą.

Nurodyta svyravimų ribinė vertė yra taikoma pagrindinėse elektrinio instrumento naudojimo srityse. Svyravimų ribinė vertė gali skirtis naudojant elektrinį instrumentą kitose srityse, papildomai naudojant netinkamus elektrinius instrumentus arba juos nepakankamai techniškai prižiūrint. Dėl to viso darbo metu gali žymiai padidėti svyravimų apkrova.

Siekiant tiksliai nustatyti svyravimų apkrovą, būtina atsižvelgti ir į laikotarpį, kai įrenginys yra išjungtas arba įjungtas, tačiau faktiškai nenaudojamas. Dėl to viso darbo metu gali žymiai sumažėti svyravimų apkrova.

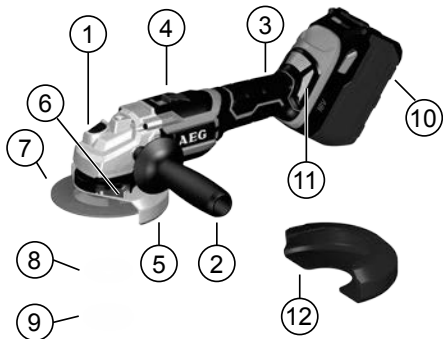
Siekiant apsaugoti vartotojus nuo svyravimo įtakos naudojamos papildomos saugos priemonės, pavyzdžiui, elektrinių darbo instrumentų techninė priežiūra, rankų šilumos palaikymas, darbo procesų organizavimas.

### ⚠ DĖMESIO!

**Perskaitykite visas saugumo pastabas ir nurodymus.** Jei nepaisysite žemiau pateiktų saugos nuorodų ir reikalavimų, gali trenkti elektros smūgis, kilti gaisras ir/arba galite sunkiai susižaloti arba sužaloti kitus asmenis.

**Išsaugokite šias saugos nuorodas ir reikalavimus, kad ir ateityje galėtumėte jais pasinaudoti.**





### Jrėnginio aprašymas

- |  |                                      |
|--|--------------------------------------|
| 1 Suklio užraktas  | 6 Apsaugo užrakinimo svirtis         |
| 2 Papildoma rankena / AVS<br>Papildoma rankena<br>Izoliuotas rankenos<br>paviršius | 7 Priedas                            |
| 3 Rankena Izoliuotas ranke-<br>nos paviršius                                       | 8 Jungė                              |
| 4 Įjungimo-išjungimo<br>jungiklis  | 9 Jungtinė veržlė / FIXTEC<br>veržlė |
| 5 Šlifavimo apsaugas   | 10 Akumuliatorius                    |
|  | 11 Ekranas nuo dulkių                |
|  | 12 Pjovimo apsaugas                  |

### ⚠ KAMPINIO ŠLIFUOKLIO SAUGUMO INSTRUKCIJOS

**Bendros įspėjamosios nuorodos, kurių būtina laikytis šlifaujant, naudojant šlifavimo popieriaus diskus, dirbant su vieliniais šepetiais, poliruojuojant ir pjaustant:**

- Šį elektrinį prietaisą galima naudoti kaip šlifavimo mašiną, skirtą šlifuoti abrazyviniais diskais, šlifavimo popieriumi, vieliniais šepetiais bei pjaustymo mašiną.. Griežtai laikykitės visų įspėjamųjų nuorodų, taisyklių, ženklų ir užrašų, kurie yra pateikiami su šiuo prietaisu, reikalavimų. Jei nepaisysite toliau pateiktų nuorodų, gali kilti elektros smūgio, gaisro ir /arba sunkių sužalojimų pavojus.
- Šis elektrinis įrankis netinka poliruoti. Jei įrankį naudojate ne pagal paskirtį, galite sukelti pavojų ir susižaloti.
- Nenaudokite jokių priedų ir papildomos įrangos, kurių gamintojas nėra specialiai numatęs ir rekomendavęs šiam elektriniam prietaisui. Vien tik tas faktas, kad Jūs galite pritvirtinti kokį nors priedą prie elektrinio prietaiso, jokiū būdu negarantuoja, kad juo bus saugu naudotis.
- Panaudojamų dalių leistinas apsisukimų skaičius turi būti mažiausiai tokio dydžio, koks yra nurodytas didžiausias apsisukimų skaičius ant elektrinio prietaiso. Dalys, kurios sukasi greičiau negu yra leistina, gali sulūžti ir skristi į šalį.
- Naudojamo įrankio išorinis skersmuo ir storis turi atitikti nurodytus Jūsų elektrinio prietaiso matmenis. Netinkamų matmenų įrankius gali būti sunku tinkamai apdengti bei valdyti.
- Priedų sriegiai turi atitikti šlifavimo suklio sriegius. Prijungiamų dalių anga, skirta įtempimo kaiščiui, turi atitikti lokalizavimo jungės skersmenį. Priedai, kurie netinka

prietaiso montavimo kaiščiui, veikia ekscentriškai, stipriai vibruoja ir dėl to galite prarasti įrankio kontrolę.

**g) Nenaudokite pažeistų darbo įrankių. Prieš kiekvieną naudojamą patikrinkite darbo įrankius, pvz., šlifavimo diskus – ar jie nėra aplūžinę ir įtrūkę, šlifavimo žiedus – ar jie nėra įtrūkę, susidėvėję ir labai nudilę, vielinius šepetčius – ar jų vielutės nėra atsilaisvinusios ar nutrukusios. Jei elektrinis prietaisas ar darbo įrankis nukrito iš didesnio aukščio, patikrinkite, ar jis nėra pažeistas, arba naudokite kitą, nepažeistą, darbo įrankį. Patikrinę ir sumontavę darbo įrankį pasirūpinkite, kad nei Jūs, nei greta esantys asmenys nebūtų besisukančio darbo įrankio plokštumoje, ir leiskite elektriniam prietaisui vieną minutę veikti didžiausiu sukūjų skaičiumi. Jei darbo įrankis pažeistas, per šį bandomąjį laiką jis turėtų subyrėti.**

**h) Dirbkite su asmeninėmis apsaugos priemonėmis. Atitinkamai pagal atliekamą darbą užsidėkite viso veido apsaugos priemonės, akių apsaugos priemonės ar apsauginius akinius. Jei nurodyta, užsidėkite apsauginį respiratorių nuo dulkių, klausos apsaugos priemonės, apsaugines pirštines ir specialią prijuostę, kuri apsaugos Jus nuo smulkių šlifavimo ir ruošinio dalelių. Akys turi būti apsaugotos nuo aplink liekančių svetimkūnių, atsirandančių atliekoti įvairius darbus. Respiratorius arba apsauginę kaukę turi išfiltruoti darbo metu kylančias dulkes. Dėl ilgalaikio ir stipraus triukšmo poveikio galite prarasti klausą.**

**i) Pasirūpinkite, kad kiti asmenys būtų saugiu atstumu nuo Jūsų darbo zonos. Kiekvienas, įžengęs į darbo zoną, turi būti su asmeninėmis apsaugos priemonėmis. Ruošinio gabalėliai ar atskilusios darbo įrankio dalelės gali skrieti dideliu greičiu ir sužeisti net už tiesioginės darbo zonos ribų esančius asmenis.**

**j) Dirbdami laikykite prietaisą už izoliuotų vietų, kuriose naudojamo įrenginys pats galėtų liesti paslėptus laidus. Pjovimo įrenginio kontaktas su įtampos laidais gali įelektrinti metalines prietaiso dalis, o tai gali sukelti elektros iškvopą.**

**k) Niekada nepadėkite elektrinio įrankio tol, kol darbo įrankis visiškai sustos. Besisukantis darbo įrankis gali prisiliesti prie paviršiaus, ant kurio padedate prietaisą, ir elektrinis įrankis gali tapti nebevaldomas.**

**l) Nešdami prietaisą jo niekada neįjunkite. Netyčia prisilietus prie besisukančio darbo įrankio, jis gali įtraukti drabužius ir Jus sužeisti.**

**m) Reguliariai valykite elektrinio prietaiso ventiliacines angas. Varkilio ventiliatorius traukia dulkes į korpusą, ir susikaupus daug metalo dulkių gali kilti elektros smūgio pavojus.**

**n) Nenaudokite elektrinio prietaiso arti degių medžiagų. Kibirkštys šias medžiagas gali uždegti.**

**o) Nenaudokite darbo įrankių, kuriuos reikia ausinti skysčiais. Naudojant vandenį ar kitokius aušinamuosius skysčius gali trenkti elektros smūgis.**

### Atatranka ir atitinkamos įspėjamosios nuorodos

Atatranka yra staigi reakcija, atsirandanti, kai besisukantis darbo įrankis, pvz., šlifavimo diskas, šlifavimo žiedas, vielinis šepetys ar kt., ruošinyje įstringa ar užsiblokuoja ir todėl netikėtai sustoja. Todėl elektrinis prietaisas gali nekontroliuojamai atšokti nuo ruošinio priešinga darbo įrankio sukimuisi kryptimi.

Pvz., jei ruošinyje įstringa ar yra užblokuojamas šlifavimo diskas, disko briauna, kuri yra ruošinyje, gali išlūžti ar sukelti atatranką. Tada šlifavimo diskas, priklausomai nuo jo sukimosi krypties blokavimo vietoje, pradeda judėti link dirbančiojo arba nuo jo. Tada šlifavimo diskas gali net nulūžti.

Atatranka yra netinkamo elektrinio prietaiso naudojimo ar gedimo pasekmė. Jos galite išvengti, jei imsitės atitinkamų, žemiau aprašytų priemonių.

**a) Dirbdami visada tvirtai laikykite prietaisą abiem rankom ir stenkitės išlaikyti tokią kūno ir rankų padėtį, kurioje sugebėtumėte atsispirti prietaiso pasipriešinimo jėgai atatranks metu. Jei yra papildoma rankena, visada ją naudokite, tada galėsite suvaldyti atatranks jėgas bei reakcijos jėgų momentą. Dirbantysis, jei imsis tinkamų saugos priemonių, gali suvaldyti reakcijos jėgas atatranks metu.**

**b) Niekada nelaikykite rankų arti besisukančio darbo įrankio.** Įvykus atatrankai įrankis gali pataikyti į Jūsų ranką.

**c) Venkite, kad Jūsų rankos būtų toje zonoje, kurioje įvykus atatrankai judės elektrinis prietaisas.** Atatranks jėga verčia elektrinį prietaisą judėti nuo blokavimo vietos priešinga šlifavimo disko sukimosi kryptimi.

**d) Ypač atsargiai dirbkite kampuose, ties aštriomis briaunomis ir t. t. Saugokite, kad darbo įrankis neatsimuštų į kliūtis ir neįstrigtų.** Besisukantis darbo įrankis kampuose, ties aštriomis briaunomis arba atsimušęs į kliūtį turi tendenciją užstrigti. Tada prietaisas tampa nevaldomas arba įvyksta atatranka.

**e) Draudžiama naudoti pjovimo grandines arba dantytus pjūklėlius.** Šie darbiniai įrankiai dažnai sukelia atatranką arba su jais prarandama elektrinio įrankio kontrolė.

### Specialios įspėjamosios nuorodos atliekantiems šlifavimo ir pjovimo darbus

**a) Naudokite tik su šiuo prietaisu leidžiamus naudoti šlifavimo įrankius ir šiems įrankiams pritaikytus apsauginius gaubtus.** Šlifavimo įrankiai, kurie nėra skirti šiam elektriniam prietaisui, gali būti nepakankamai uždengiami ir nesaugūs naudoti.

**b) Šlifavimo diskus reikia įstatyti taip, kad šlifavimo paviršius neišsikištų už apsauginio gaubto krašto.** Neteisingai įstatytas šlifavimo diskas, išsikišęs už apsauginio gaubto krašto, nebus pakankamai apsaugotas.

**c) Visada naudokite tokį apsauginį gaubtą, kuris yra skirtas naudojamam šlifavimo įrankiui.** Apsauginis gaubtas turi būti patikimai pritvirtintas prie elektrinio prietaiso ir nustatytas į tokią padėtį, kad dirbančiajam būtų užtikrintas didžiausias saugumas, t. y. šlifavimo įrankis neturi būti nukreiptas į dirbantįjį. Apsauginis gaubtas turi apsaugoti dirbantįjį nuo atskilusių ruošinio ar įrankio dalelių ir atsitiktinio prisilietimo prie šlifavimo įrankio.

**d) Šlifavimo įrankius leidžiama naudoti tik pagal rekomenduojamą paskirtį. Pvz., niekada nešlifaukite pjovimo disko šoniniu paviršiumi.** Pjovimo diskai yra skirti medžiagai pjaujamajai briauna pašalinti. Nuo šoninės apkrovos šie šlifavimo įrankiai gali sulūžti.

**e) Jūsų pasirinktiems šlifavimo diskams tvirtinti visada naudokite nepažeistas tinkamo dydžio ir formos prispaudžiamąsias junges.** Tinkamos jungės prilaiko šlifavimo diską ir sumažina lūžimo pavojų. Pjovimo diskams skirtos jungės gali skirtis nuo kitiems šlifavimo diskams skirtų jungių.

**f) Nenaudokite sudilusių diskų, prieš tai naudotų su didesnėmis šlifavimo mašinomis.** Šlifavimo diskai, skirti didesniems elektriniams prietaisams, nėra pritaikyti prie didelio mažųjų prietaisų išvystomo sukčių skaičiaus ir gali sulūžti.

### Specialios įspėjamosios nuorodos atliekantiems pjovimo darbus

**a) Venkite užblokuoti pjovimo diską ir nespauskite jo per stipriai prie ruošinio. Nemėginkite atlikti pernelyg gilių pjūvių.**

Per stipriai prispaudus pjovimo diską, padidėja jam tenkanti apkrova ir atsiranda didesnė tikimybė jį pakreipti bei užblokuoti pjūvyje, vadinasi padidėja atatranks ir disko lūžimo rizika.

**b) Venkite būti zonoje prieš ir už besisukančio pjovimo disko.** Kai įjudami ruošinį pjovimo diską stumiate nuo savęs, įvykus atatrankai elektrinis prietaisas su besisukančiu disku pradės judėti tiesiai į Jus.

**c) Jei pjovimo diskas užstringa arba Jūs norite nutraukti darbą, išjunkite elektrinį prietaisą ir laikykite jį ramiai, kol diskas visiškai nustos sukstis. Niekada nemėginkite iš pjūvio vietos ištraukti dar tebesisukančią diską, nes gali įvykti atatranka.** Nustatykite ir pašalinkite disko strigimo priežastį.

**d) Nejunkite elektrinio prietaiso iš naujo tol, kol diskas neištrauktas iš ruošinio. Palaukite, kol pjovimo diskas pasiekė darbinį sukčių skaičių, ir tik tada atsargiai tęskite pjovimą.** Priešingu atveju diskas gali užstrigti, išsokti iš ruošinio ar sukelti atatranką.

**e) Ploktės ar didelius ruošinius paremkite, kad sumažintumėte atatranks riziką dėl užstrigimo ruošinio disko.** Dideli ruošiniai gali išlįsti dėl savo svorio. Ruošinį reikia paremti iš abiejų pusių, tiek ties pjūvio vieta, tiek ir prie krašto.

**f) Būkite ypač atsargūs darydami pjūvius sienose ar kitose aklinese vietose.** Panyrantis pjovimo diskas gali pažeisti elektros laidus, dujotiekio ar vandentiekio vamzdžius ar kitus objektus ir sukelti atatranką.

### Specialios įspėjamosios nuorodos atliekantiems šlifavimo naudojant šlifavimo popierių darbus:

**a) Nenaudokite per didelių matmenų šlifavimo popieriaus, laikykitės gamintojo pateiktų šlifavimo popieriaus matmenų.** Už šlifavimo žiedo kyšantis šlifavimo popierius gali sužaloti, užblokuoti, šlifavimo popierius gali įplyšti ar įvykti atatranka.

### Specialios įspėjamosios nuorodos dirbantiems su vieliniais šepetiais:

**a) Žinokite, kad vielos šeriai krenta iš šepetio net paprasto darbo metu. Per daug neapkraukite šerių pernelyg spausdami šepetį.** Vieliniai šeriai gali lengvai pradurti plonus drabužius ir / arba odą.

**b) Jei rekomenduojama dirbti su apsauginiu gaubtu, saugokite, kad vielinis šepetys nesiliestų apsauginio gaubto.** Apsauginis gaubtas turi būti tvirtai pritvirtintas prie šlifavimo disko. Apsauginis gaubtas gali padidėti.

### Kiti saugumo ir darbo nurodymai

Prieš įjungdami įrankį visada patikrinkite, ar suklio užraktas mygtukas yra visiškai atleistas! Jei naudojote suklio užraktą abrazyviniam diskui suveržti / atleisti, gali būti, kad mygtukas užstrigo užrakintoje padėtyje. Dėl to gali suveikti įrankio ar akumuliatoriaus apsauga ir būti atjungtas energijos tiekimas. Išjunkite jungiklį, išimkite akumuliatorių, tada atsargiai pasukite diską pirmyn ir atgal, kad atleistumėte suklio užraktą mygtuką.

Pastaba: Jei suveikė ir akumuliatoriaus apsauga, paprasčiausiai išimkite akumuliatorių komplektą iš įrankio ir vėl įdėkite, kad iš naujo nustatytumėte apsaugą.

Šlifuojant metalus lekia kibirkštys. Atkreipkite dėmesį, kad nesukeltumėte pavojaus kitiems asmenims. Dėl gaisro pavojaus arti (kibirkščių lėkimo srityj) neturi būti jokių degių medžiagų. Nenaudokite dulkių nusiurbimo.

Venkite kūno kontakto su skrejančiomis kibirkštimis ir šlifuojant susidarančiomis dulkmėmis.

Nekiškite rankų į veikiančio įrenginio pavojaus zoną.



Liet

Draudžiama išiminėti drožles ar nuopjovas, įrenginiui veikiant. Prietaisą tuoj pat išjunkite, jei atsiranda stiprus virpesiai arba kiti trukumai. Patikrinkite įrenginį ir nustatykite priežastį. Kampinį šlifukoį naudojant ekstremaliomis sąlygomis (pvz., kai, naudojant atraminį diską ir šlifavimo diskus iš vulkanizuotos celuliozės, šlifavimu lyginami metalai), jo vidus gali labai užsiteršti. Saugokite, kad metalinės dalys nepatektų į vėdinimo angas – trumpojo jungimo pavojus.

DEMESIO! Siekdami išvengti trumpojo jungimo sukiamą gaisro pavojaus, sužalojimų arba produkto pažeidimų, neikiškite įrankio, keičiamo akumulatoriaus arba įkroviklio į skystųjų ir pasirūpinkite, kad į prietaisus arba akumulatorius nepatektų jokių skystųjų. Koroziją sukiantys arba laidūs skystčiai, pvz., sūrus vanduo, tam tikri chemikalai ir balikliai arba produktai, kurių sudėtyje yra baliklių, gali sukelti trumpąjį jungimą.

Keičiamų akumuliatorių ir įkroviklių nelaikykite atvirai. Laikykite tik sausoje vietoje. Saugokite nuo drėgmės.

Keičiamus GBS sistemos akumulatorius kraukite tik „C18“ sistemos įkrovikliams. Nekraukite kitų sistemų akumuliatorių.



Liet

## KITI PAVOJAI

Net naudojant kampinį šlifuotuvą kaip aprašyta, negalima visiškai išvengti tam tikrų liekamųjų pavojų. Galimi toliau nurodyti liekamieji pavojai, todėl operatorius turi būti labai atidus ir jų vengti: **Išsvėdžiamų dailelių sukelti sužalojimai.**

Metalai ar abrazyvinės dalelės gali patekti į akis ir sukelti sunkių ilgalaikių sužalojimų. Naudodami gaminį visada mūvėkite šlifavimo darbam tinkančias pirštines

### Vibracijos sukelti sužalojimai.

Ribokite poveikį. Žr. ĮSPĖJIMĄ dėl vibracijos!

### Dulkių sukelti sužalojimai.

Dėvėkite pritaikytą apsaugos nuo dulkių kaukę su filtrais, tinkamai apsaugoti nuo medžiagos, su kuria dirbama ir abrazyvinių dailelių nuo šlifavimo disko.

Darbo vietoje nevalgykite, negerkite ir nerūkykite. Užtikrinkite pakankamą vėdinimą.

### Sužalojimas prisilietus prie šlifavimo disko.

Dirbant diskas ir ruošinys įkaista. Keisdami diskus ar liesdami ruošinį mūvėkite pirštines. Rankas visada laikykite atokiai nuo šlifavimo vietos.

Jei įmanoma, pritvirtinkite ruošinį.

### Triukšmo sukelti sužalojimai.

Ilgasnis triukšmo poveikis gali padidinti klausos pažeidimo pavojų, šis poveikis yra kaupiamasis. Ilgesnį laiką naudodami elektrinius įrankius dėvėkite klausos apsaugą.

Ilgai naudojant įrankį galimi sužalojimai, taip pat gali pablogėti sveikata. Jei įrankį reikia naudoti ilgą laiką, būtina reguliariai darykite pertraukas.

## NAUDOJIMAS PAGAL PASKIRTĮ

Kampinis šlifuo tuvas yra skirtas metalui, akmeniui, betonui ir keraminėms medžiagoms šlifuoti ir pjauti, taip pat – šlifuoti švitiriniu popieriumi ir vieliniu šepetėliu.

Pjovimui naudokite pjovimo gaubtą, pateikiamą priedų asortimente.

Kilus abejonėms, atkreipkite dėmesį į priemonių gamintojų nurodymus.

Elektrinį įrankį galima naudoti tik sausoje aplinkoje.

Prie kampinio šlifuo tuvo galima tvirtinti tik tinkamus šlifavimo ar pjovimo diskus ir pritaikytus apsaugus (šlifavimo arba pjovimo apsaugą), kaip aprašyta šio vadovo gaminio specifikacijų skyriuje. Kampinis šlifuo tuvas turi būti naudojamas laikant rankomis; jo negalima tvirtinti prie fiksavimo įrangos ar darbastalo. Nenaudokite gaminio kitaip, nei nurodytas naudojimas pagal paskirtį.

## DARBO NUORODOS

Jei prie šlifavimo priemonės reikia naudoti ir diską su sriegiu, įsitikinkite, kad disko sriegio ilgis pakankamas sukliui.

Pjovimo ir šlifavimo diskus visada naudokite ir laikykite pagal gamintojo nurodymus.

Grandydamis ir pjaudami visada dirbkite su apsauginiu gaubtu.

Šlifavimo diskus reikia įstatyti taip, kad šlifavimo paviršius neišsikistų už apsauginio gaubto krašto.

Prieš paleidžiant įrenginį, reikia priveržti jungės varžlę.

Visada naudokite papildomą rankeną.

Apdorojama detalė, jei ji nesilaiko savo svorio, visada turi būti įtvirtinta. Niekada detalių prie disko neveskite ranka.

## AKUMULIATORIAI

Aukštesnė nei 50°C temperatūra mažina keičiamų akumuliatorių galią. Venkite ilgesnio saulės ar šilumos šaltinių poveikio.

Įkroviklio ir keičiamo akumulatoriaus jungiamieji kontaktai visada turi būti švarūs.

Kad prietaisas kuo ilgiau veiktų, pasinaudoję juo, iki galo įkraukite akumulatorius. Ilgesnį laiką nenaudotus keičiamus akumulatorius prieš naudojimą įkraukite.

Siekiant užtikrinti kuo ilgesnį baterijos tarnavimo laiką, reikėtų ją po atlikto įkrovimo iškart išimti iš įkroviklio.

Bateriją laikant ilgiau nei 30 dienų, būtina atkreipti dėmesį į šias nuorodas: bateriją laikyti sausoje aplinkoje, esant apie 27 °C temperatūrai., Baterijos įkrovimo lygis turi būti nuo 30% iki 50%., Baterija pakartotinai turi būti įkraunama kas 6 mėnesius.

Sunaudotų keičiamų akumuliatorių nedeginkite ir nemeskite į buitines atliekas. AEG siūlo tausojantį aplinką sudėvėtų keičiamų akumuliatorių tvarkymą, apie tai teiraukitės prekybos atstovo.

Keičiamų akumuliatorių nelaikykite kartu su metaliniais daiktais (trumpojo jungimo pavojus).

## APSAUGA NUO AKUMULIATORIAUS PERKROVOS

Jeigu akumuliatoriui tenka didelės elektros energijos sąnaudos, pavyzdžiui, ypač dideli sukimo momentai, įstatomo įrankio užstrigimas, staigus sustabdymas arba trumpasis jungimas, elektros įrankis sustabdomas 2 s ir po to pats išsijungia. Norėdami nustatyti iš naujo, išimkite iš įrankio akumuliatorių ir vėl jį įdėkite.

Esant ekstremalioms apkrovoms akumulatorius per stipriai įkaista. Tokiu atveju visos įkrovos lemputės mirksį taip ilgai, kol akumulatorius atvėsta. Užgesus įkrovos rodimenims įrankiu galima naudotis toliau. Tada akumuliatorių reikia įkišti į kroviklį, kad jis įsikrautų ir veiktų.

## LIČIO JONŲ AKUMULIATORIŲ PERVEŽIMAS

Ličio jonų akumuliatoriams taikomos įstatyminės nuostatos dėl pavojingų krovinių pervežimų.

Šiuos akumulatorius pervežti būtina laikantis vietinių, nacionalinių ir tarptautinių direktyvų ir nuostatų.

Naudotojai šiuos akumulatorius gali naudoti savo transporte be jokių kitų sąlygų.

Lietuviškai

Už komercinį ličio jonų akumuliatorių pervežimą atsako ekspedicijos įmonė pagal nuostatas dėl pavojingų krovinių pervežimo. Pasiruošimo išsiųsti ir pervežimo darbus gali atlikti tik atitinkamai išmokyti asmenys. Visas procesas privalo būti prižiūrimas.

Pervežant akumuliatorius būtina laikytis šių punktų:

Siekiant išvengti trumpųjų jungimų, įsitikinkite, kad kontaktai yra apsaugoti ir izoliuoti. Atkreipkite dėmesį, kad akumuliatorius pakuočės viduje neslidinėtų. Draudžiama pervežti pažeistus arba tekančius akumuliatorius. Dėl detalesnių nurodymų kreipkitės į savo ekspedicijos įmonę.

### APSAUGA NUO PAKARTOTINIO ĮSIJUNGIMO

Nulinės įtampos jungiklis neleidžia prietaisui pradėti veikti iš naujo, nutrukus srovės tiekimui (akumuliatoriaus pakeitimas).

Norint pakartotinai paleisti mašiną, būtina ją išjungti ir vėl įjungti.

### TOLYGAUS PALEIDIMO REGULIATORIUS

Saugiam valdymui - elektroninis tolygaus paleidimo reguliatorius, užkertantis kelią įrenginio trūkčiojimui, jį paleidžiant.

### TECHNINIS APTARNAVIMAS

Prieš atlikdami bet kokius darbus įrenginyje, išimkite keičiamą akumuliatorių.

Įrenginio vėdinimo angos visada turi būti švarios.

Naudokite tik AEG priedus ir atsargines dalis. Dalis, kurių keitimas neaprašytas, leidžiama keisti tik AEG klientų aptarnavimo skyriams (žr. garantiją/klientų aptarnavimo skyrių adresus brošiūroje).

Jei reikia, nurodant įrenginio tipą bei specifikacijų lentelėje esantį numerį, iš klientų aptarnavimo skyriaus arba tiesiai iš Techtronic Industries GmbH, Max-Eyth-Straße 10, 71364 Winnenden, Germany, galima užsisakyti prietaiso surinkimo brėžinius.

### CE ATITIKTIES PAREIŠKIMAS

Prisimindami visą atsakomybę pareiškiamo, kad gaminyje, aprašytas „Techniniuose duomenyse“, atitinka taikomus reikalavimus, išdėstytus direktyvose

2011/65/ES (RoHS)

2006/42/EB

2014/30/ES

ir buvo taikyti šie darnieji standartai

EN 60745-1:2009 + A11:2010

EN 60745-2-3:2011 + A2:2013 + A11:2014 + A12:2014 + A13:2015

EN 55014-1:2017

EN 55014-2:2015

EN 50581:2012



Winnenden, 2018-08-16

Alexander Krug / Managing Director

Įgaliotas parengti techninius dokumentus.

Techtronic Industries GmbH

Max-Eyth-Straße 10, 71364 Winnenden, Germany

### SIMBOLIAI



DĖMESIO! ĮSPĖJIMAS! PAVOJUS!



Prieš pradėdami dirbti su prietaisu, atidžiai perskaitykite jo naudojimo instrukciją.



Dirbdami su įrenginiu visada nešiokite apsauginius akinius.



Lietojiet aizsardzības cimdus!



Prieš atlikdami bet kokius darbus įrenginyje, išimkite keičiamą akumuliatorių.



APSAUGOS nuo vibracijos sistema



Nenaudoti jėgos.



Tinka tik pjovimo darbams.



Tinka tik šlifavimo darbams.



Nespauskite suklio užrakto mygtuko įjungdami ir išjungdami įrankį.



Priedas – neįeina į tiekimo komplektaciją, rekomenduojamas papildymas iš priedų asortimento.



Atsarginė dalis – nepridedama prie standartinės įrangos, galima įsigyti kaip atsarginę dalį.



Elektros prietaisų, baterijų/akumuliatorių šalinti kartu su buitiniams atliekoms negalima. Elektros prietaisus ir akumuliatorius reikia surinkti atskirai ir atiduoti perdirbimo įmonei, kad būtų pašalinti aplinkai saugiu būdu. Vietos valdžios institucijose arba specializuotose prekybos vietose pasidomėkite apie perdirbimo ir surinkimo centrus.



Nuolatinė srovė



Įtampa



Nominalus sūkių skaičius



Europos atitikties ženklas

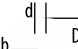
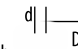





Ukrainos atitikties ženklas



Eurazijos atitikties ženklas



TEHNILISED ANDMED Juhtmeta nurgalihvimisasin	BEWS18-115BL	BEWS18-125BL
Tootmisnumber	4693 80 01 ... 4690 25 01 ... ... 000001-999999	4693 85 01 ... 4690 40 01 ... ... 000001-999999
Vahetatava aku pinge	18 V	18 V
Nimipöörded	11000 min <sup>-1</sup>	11000 min <sup>-1</sup>
D= Lihvketta ø max d= puurava ø  b= Lõikeketta paksus min / max  b= Lihvketta paksus max 	115 mm 22,2 mm 1/3 mm 1/3 mm 6 mm 6 mm	125 mm 22,2 mm 1/3 mm 1/3 mm 6 mm 6 mm
 D= Lihvpinna ø max	115 mm	125 mm
 D= Kaussharja ø max	75 mm	75 mm
Spindlikeere	M 14	M 14
Kaal vastavalt EPTA-protseduurile 01/2014 (Li-lon 1,5 Ah...9,0 Ah)	2,4 kg ... 3,1 kg	2,4 kg ... 3,1 kg
Soovituslik keskkonna temperatuur töötamiseks	-18°C ... +50°C	-18°C ... +50°C
Soovituslikud akupakid	L18...	L18...
Soovituslik laadija	AL1218... / BL 1218...	AL1218... / BL 1218...
<b>Müra andmed</b>		
Mõõteväärtused on kindlaks tehtud vastavalt normile EN 60745. Seadme tüüpiline hinnanguline (müratase):		
Helirõhutase (Määramatus K=3dB(A))	83dB(A)	83dB(A)
Helivõimsuse tase (Määramatus K=3dB(A))	84dB(A)	84dB(A)
<b>Kandke kaitseks kõrvaklappe!</b>		
<b>Vibratsiooni andmed</b>		
Vibratsiooni koguväärtus (kolme suuna vektorsummamõõdetud EN 60745 järgi).		
Pinna lihvimine (Li-lon 1,5 Ah): Vibratsiooni emissiooni väärtus $a_{h,AG}$ Määramatus K=	9,4m/s <sup>2</sup> 1,5 m/s <sup>2</sup>	9,4m/s <sup>2</sup> 1,5 m/s <sup>2</sup>
Lihvlehega lihvimine (Li-lon 1,5 Ah): Vibratsiooni emissiooni väärtus $a_{h,DS}$ Määramatus K=	5,7m/s <sup>2</sup> 1,5 m/s <sup>2</sup>	5,7m/s <sup>2</sup> 1,5 m/s <sup>2</sup>

Muude tööde puhul, nt lõikamisel või terastraadist harjaga lihvimisel võivad vibratsiooniväärtused muutuda!

### Vibratsiooni HOIATUS!

Antud juhendis toodud võnketase on mõõdetud EN 60745 standardile vastava mõõtesüsteemiga ning seda võib kasutada erinevate elektriseadmete omavahelises võrdlemises. Antud näitaja sobib ka esmaseks võnkekoormuse hindamiseks.

Antud võnketase kehtib elektriseadme kasutamisel sihtotstarbeliselt. Kui elektriseadet kasutatakse muudel otstarvetel, muude tööriistadega või seda ei hooldata piisavalt võib võnketase siintoodust erineda. Eeltoodu võib võnketaset märkimisväärselt tõsta terves töökeskkonnas.

Võnketaseme täpseks hindamiseks tuleks arvestada ka aega, mil seade on välja lülitatud või on küll sisse lülitatud, kuid ei ole otseselt kasutuses. See võib märgatavalt vähendada kogu töökeskkonna võnketaset.

Rakendage spetsiaalseid ettevaatusabinõusid töötajate suhtes, kes puutuvad töö käigus palju kokku vibratsiooniga. Nendeks abinõudeks võivad olla, näiteks: elektri- ja tööseadmete korraline hooldus, käte soojendamine, töövoo parem organiseerimine.

### ⚠ TÄHELEPANU!

**Lugege kõik ohutusnõuanded ja juhendid läbi.** Ohutusnõuete ja juhiste eiramise tagajärjeks võib olla elektrilöök, tulekahju ja/või raske vigastused.

**Hoidke kõik ohutusnõuded ja juhised edasiseks kasutamiseks hoolikalt alles.**





### Seadme kirjeldus

- |  |                                    |
|--|------------------------------------|
| ① Spindilukkk  | ⑥ Kaitsme lukustushoob             |
| ② Lisakäepide / AVS Lisakäepide<br>Isoleeritud pideme piirkond | ⑦ Tarvikud                         |
| ③ Käepide Isoleeritud pideme piirkond                          | ⑧ Äär                              |
| ④ Sisse-välja lüliti   | ⑨ Kraega mutter /<br>FIXTEC-mutter |
| ⑤ Lihvimikaitse  | ⑩ Aku                              |
|  | ⑪ Tolmufilter                      |
|  | ⑫ Lõikekaitse                      |

### ⚠ OHUTUSJUHISED NURKLIHVIJATELE

Ühised ohutusjuhised lihvimiseks, liivpaberiga lihvimiseks, traatharjaga töötlemiseks, poleerimiseks ja lõikamiseks:

**a) Käesolev elektriline tööriist on ette nähtud lihvimiseks, liivpaberiga lihvimiseks, traatharjaga töötlemiseks ja lõika-miseks.. Järgige kõiki tööriistiga kaasasolevaid hoiatusi, juhiseid, jooniseid ja tehnilisi andmeid. Järgnevalt toodud juhiste eiramise tagajärjeks võib olla elektrilöök, tulekahju ja/või rasked vigastused.**

**b) See elektriline tööriist ei sobi poleerimiseks. Seadme kasutamine mitteettenähtud otstarbel võib põhjustada kahjustusi ja vigastusi.**

**c) Ärge kasutage tarvikuid, mida ei ole tootja selle elektrilise tööriista jaoks ette näinud ega soovitanud. Asjaolu, et saate tarvikud oma seadme külge kinnitada, ei taga veel seadme ohutut tööd.**

**d) Instrumenti lubatud pöörete arv peab olema vähemalt sama suur kui elektritööriista märgitud maksimaalne pöörete arv. Tarvikud, mis pöörlevad lubatust kiiremini, võivad murduda ja lendu paiskuda.**

**e) Tarviku välisläbimoot ja paksus peavad vastama elektrilise tööriista mootmetele. Valedel mootmetega tarvikuid ei kata kaitseskatte piisaval määral, mistõttu võivad need kontrolli alt väljuda.**

**f) Tarvikudetailide keermed peavad lihvspindli keermega ühilduma. Tarvikudetailide puhul, mis paigaldatakse äärikinnitusega, peab kinnitustorni ava tarvikudetailis lokaliseerimisääriku läbimõõduga ühilduma. Tarvikudetailid, mis sobi seadme montaažitornile, töötavad ekstsentriliselt,**

vibreerivad üleliia tugevasti ja võivad põhjustada kontrolli kaotamist tööriista üle.

**g) Ärge kasutage vigastatud tarvikuid. Iga kord enne kasutust kontrollige tarvikuid, näiteks lihvkettaid ja lihv-taldud pragude või kulumise suhtes, traatharju lahtiste või murdunud traatide suhtes. Kui seade või tarvik kukub maha, siis veenduge, et see ei ole vigastatud, või kasutage vajaduse korral vigastamata tarvikut. Kui olete tarviku üle vaadanud ja kohale asetanud, laske seadmel ühe minuti jooksul töötada maksimaalsel pööratel. Seejuures ärge asetsege pöörleva tarvikuga ühel tasandil ja veenduge, et seda ei tee ka läheduses viibivad inimesed. Selle katseaja jooksul vigastatud tarvikud üldjuhul purunevad.**

**h) Kandke isikukaitsevahendeid. Kasutage vastavalt kasutusotstarbele näomaski, silmakaitset või kaitseprille. Vajaduse korral kandke tolmuaitsemaski, kuuliskaitsevahendeid, kaitsekindaid või kaitsepõlle, mis kaitseb Teid lihvimisel eralduvate väikeste osakeste eest. Silmad peavad olema kaitsitud seadme kasutamisel eralduvate vöörkehade eest. Tolmu- või hingamisteede kaitsemaskid peavad filtreerima kasutamisel tekkiva tolmu. Pikaajaline vali müra võib kahjustada kuulmist.**

**i) Veenduge, et teised inimesed on tööpiirkonnast ohutus kauguses. Igauks, kes tööpiirkonda siseneb, peab kandma isikukaitsevahendeid. Tooriku või tarviku murdunud tükid võivad eemale paiskuda ja põhjustada vigastusi ka väljaspool otsest tööpiirkonda.**

**j) Tööde puhul, kus lõikeseade võib minna vastu peidetud elektrijuhtmeid, hoidke kinni seadme isoleeritud käepidemest. Kokkupuude pingestatud juhtmega võib pingestada ka lõikeseadme metallist osad ning põhjustada elektrilöögi.**

**k) Ärge pange seadet kunagi enne käest, kui instrument on täielikult seisma jäänud. Pöörlev tarvik võib aluspinnaga kokku puutuda, mille tagajärjeks võib olla kontrolli kaotus seadme üle.**

**l) Seadme transportimise ajal ärge laske seadmel töötada. Teie rõivad võivad pöörleva tarvikuga juhuslikult kokku puutuda ning tarvik võib tungida Teie kehasse.**

**m) Puhastage regulaarselt seadme ventilatsiooniavasid. Mootori ventilaator tõmbab tolmu korpusesse, kuhjuv metallitolm võib põhjustada elektrilisi ohte.**

**n) Ärge kasutage seadet kergetisüttivate materjalide läheduses. Sädemete tõttu võivad need materjalid süttida.**

**o) Ärge kasutage tarvikuid, mille puhul tuleb kasutada jahutusvedelikke. Vee või teiste jahutusvedelike kasutamine võib põhjustada elektrilöögi.**

### Tagasilöök ja asjaomased ohutusnõuded

Tagasilöök on kinnikiilduvast tarvikust, näiteks lihvkettast, lihv-tallast, traatharjast vmt tingitud järsk reaktsioon. Kinnikiildumine põhjustab tarviku järsu seiskumise. Selle tagajärjel liigub seade kontrollimatult tarviku pöörlemissuunale vastupidises suunas.

Kui näiteks lihvketas toorikus kinni kiildub, võib tagajärjeks olla tagasilöök või lihvketta murdumine. Lihvketas liigub sõltvalt ketta pöörlemissuunast kas seadme kasutaja poole või kasutajast eemal. Seejuures võivad lihvkettad ka murduda.

Tagasilöök on seadme ebaõige kasutamise või valede töövõtete tagajärg. Seda saab vältida, rakendades järgnevalt kirjeldatud sobivaid ettevaatusabinõusid.

**a) Hoidke seadet tugevasti kinni ja viige oma keha ja käed asendisse, milles saate tagasilöögiõjjuududele vastu astuda. Suurima kontrolli saavutamiseks tagasilöögiõjjuudude või reaktsioonimomentide üle kasutage alati lisakäepidet, kui see on olemas. Seadme kasutaja suudab sobivaid**



ettevaatusabinõusid rakendades tagasilöögi- ja reaktisoonijõudusid kontrollida.

**b) Ärge viige oma kätt kunagi pöörlevate tarvikute lähedusse.** Tagasilöögi puhul võib tarvik liukuda üle Teie käe.

**c) Vältige oma kehaga piirkonda, kuhu seade tagasilöögi puhul liigub.** Tagasilöök võib seadme lihvketta liikumissuunale vastupidises suunas.

**d) Eriti ettevaatlikult töötage nurkade, teravate servade jmt piirkonnas. Hoidke ära tarvikute tagasipõrkumine toorikut ja kinnikiildumine.** Pöörlev tarvik kalduv nurkades, teravates servades ja tagasipõrkumise korral kinni kiilduma. See põhjustab kontrolli kaotuse seadme üle või tagasilöögi.

**e) Ärge kasutage kettsaelahte ega hambulise servaga saelehte.** Sellised instrumendid võivad kutsuda sageli esile tagasilöögi või põhjustada elektritööriista üle kontrolli kaotamise.

### Spetsiifilised ohutusnõuded lihvimisel ja lõikamisel

**a) Kasutage üksnes elektrilise tööriista jaoks ette nähtud lihvimistarvikut ja selle lihvimistarviku jaoks ette nähtud kettakaitset.** Lihvimistarvikuid, mis ei ole elektrilise tööriista jaoks ette nähtud, ei kata kettakaitse piisavalt ning seetõttu on need ohtlikud.

**b) Astmelised lihvkettad tuleb monteerida nii, et nende lihvipind ei ulatu kaitsekatte serva tasandist väljapoole.** Asjatundmatult monteeritud lihvkettast, mis ulatub kaitsekatte serva tasandist väljapoole, pole võimalik piisavalt varjestada.

**c) Kasutage alati kettakaitset, mis on kasutatavat tüüpi lihvimistarviku jaoks ette nähtud. Kettakaitse peab olema seadme külge kindlalt kinnitatud ja seadistatud nii, et tagatud oleks maksimaalne turvalisus, s. t et seadme kasutaja poole peab alati jääma kettakaitse suletud kül. Kettakaitse peab kasutajat kaitsma eemalpaiskuvate osakeste ja lihvimistarviku juhuliku kokkupuute eest.**

**d) Lihvimistarvikuid tohib kasutada üksnes soovitatud kasutusotstarvetel. Näiteks: Ärge kunagi kasutage lihvimiseks lõikeketta külgpinda.** Lõikekettad on ette nähtud materjali lõikamiseks ketta servaga. Külgsuunas rakendatavate jõudude toimel võivad need kettad puruneda.

**e) Kasutage valitud lihvketta jaoks alati õige suuruse ja kujuga ning vigastamata seibi.** Sobivad seibid kaitsavad lihvkettast ja vähendavad lihvketta purunemise ohtu. Lõikekettaste seibid võivad lihvkettaste seibidest erineda.

**f) Ärge kasutage suuremate elektriliste tööriistade kulunud lihvkettaid.** Suuremate elektriliste tööriistade lihvkettad ei ole ette nähtud kasutamiseks väiksemate seadmete kõrgemalt pöoretel ja võivad puruneda.

### Täiendavad spetsiifilised ohutusnõuded lõikamiseks

**a) Vältige lõikeketta kinnikiildumist või liiga suurt rakedatavat survet. Ärge tehke liiga sügavaid lõikeid.** Lõikeketta ülekoormamine suurendab selle koormust ja kalduvus kinnikiildumisele ning sellega tagasilöögi või lihvketta purunemise ohtu.

**b) Vältige pöörleva lõikeketta ette ja taha jäävat piirkonda.** Kui juhtite lõikekettast toorikut endast eemale, võib seade tagasilöögi korral koos pöörleva kettaga otse Teie suunas paiskuda.

**c) Kui lõikeketas kinni kiildub või kui Te töö katkestate, lülitage seade välja ja hoidke seda paigal, kuni ketas on täielikult seisunud. Ärge kunagi püüdke veel pöörlevat lõikekettast lõikejõonest välja tõmmata, vastasel korral võib tekkida tagasilöök.** Tehke kindlaks kinnikiildumise põhjus ja kõrvaldage see.

**d) Ärge lülitage seadet sisse seni, kuni see on veel toorikus. Laske lõikekettal kõigepealt saavutada maksimaalpöörded,**

**enne kui lõigete ettevaatlikult jätkate.** Vastasel korral võib ketas kinni kiilduda, toorikut välja hüpata või tagasilöögi põhjustada.

**e) Toestage plaadid või suured toorikud, et vähendada kinnikiildunud lõikekettast tingitud tagasilöögi ohtu.** Suured toorikud võivad omaenda kaalu tõttu läbi painduda. Toorik peab olema toetatud mõlemalt poolt, nii lõikejõone lähedalt kui ka servast.

**f) Olge eriti ettevaatlik olemasolevates seintes või teistes varjatud kohtadesse „tasukuliget“ tehes.** Uputatav lõikeketas võib gaasi- või veetoorde, elektrijuhtmete või teiste objektide tabamisel põhjustada tagasilöögi.

### Spetsiifilised ohutusnõuded liivapaberiga lihvimisel:

**a) Ärge kasutage liiga suurte mootmetega liivpabereid, juhitud tootja andmetest liivpaberi suuruse kohta.** Üle lihvitala ulatuvad liivpaberid võivad põhjustada vigastusi, samuti liivpaberi kinnijäämist, rebenemist või tagasilööki.

### Spetsiifilised ohutusjuhised traatharjade kasutamisel:

**a) Teadke, et harjast võib eemaldada traatharjaseid isegi tavaliste tööde käigus. Ärge koormake harjaseid üle, rakendades harjale liigset survet.** Traatharjased tungivad kergesti läbi õhukeste riiete ja/või naha.

**b) Kettakaitse kasutamisel vältige kettakaitse ja traatharja kokkupuute võimalust.** Taldrük- ja kausharjade läbimoot võib rakendatava surve ja tsentrifugaaljõudude toimel suurendada.

### Edasised ohutus- ja tööjuhised

Kontrollige alati, et spindliluku nupp oleks enne tööriista vahetamist täies ulatuses vabastatud! Pärast spindliluku kasutamist lihvimisketta kinni / lahti keeramiseks on võimalik, et nupp võib jääda lukustatud asendisse. See võib tööriista või aku kaitsme rakendada ja eemaldada tööriistalt elektritrite. Lülitage lüliti välja, eemaldage aku ja seejärel liigutage ketast edasi-tagasi, et vabastada spindliluku nupp.

Märkus: Kui ka aku kaitse on aktiveeritud, eemaldage akupakk tööriistalt ja asendage see, lähtestades seeläbi ka kaitsme.

Metallide lihvimisel tekib sädemeid. Veenduge selles, et inimesed poleks ohustatud. Tuleohtu tõttu ei tohi lähedal (sädemete piirkonnas) olla tuleohtlikke materjale. Ärge kasutage tolmu äraimemist.

Vältige lendavate sädemete ja lihvimistolmu sattumist kehale.

Ärge pange kätt töötava masina ohupiirkonda.

Puru ega pilpaid ei tohi eemaldada masina töötamise ajal.

Lülitage seade välja kohe, kui tekib märgatav vibratsioon või märkate midu puudusi. Kontrollige seisumise üle, et põhjus kindlaks teha.

Ekstreemsetes tingimustes (nt tugiketta ja vulkaanfiber-lihvkettaga metallide siledaks lihvimine) töötamisel võib nurklihvijasse koguneda rohkesti puru ja prahti.

Lühiseohtu tõttu ei tohi ohutuspiiludesse sattuda metalloosi.

**TÄHELEPANU!** Lühisest põhjustatud tuleohtu, vigastuste või toote kahjustuste vältimiseks ärge kastke tööriista, vahetusakut ega laadimiseadet vedelikku ning jälgige, et vedelikke ei tungiks seadmetesse ega akusse. Korrodeeruvad või elektrit juhtivad vedelikud, nagu soolvesi, teatud kemikaalid ja pleegitusained või pleegitusained sisaldavad tooted, võivad põhjustada lühist.

Ärge avage vahetatavaid akusid ega laadijaid ning ladustage neid ainult kuivades ruumides. Kaitske niiskuse eest.

Laadige süsteemi GBS vahetatavaid akusid ainult süsteemi GBS laadijatega. Ärge laadige nendega teiste süsteemide akusid.



Est

## JÄÄKOHUD

Isegi nurklihvija nõuetekohasel kasutamisel ei ole võimalik täielikult välistada teatud jääkriske. Töötamisel võivad esile kerkida järgmised ohud, mille vältimiseks tuleb masina käsitsejal erilist tähelepanu pöörata:

### Eemale paiskuvatest osakestest tekkivad vigastused.

Metallist või abrasiivsed osakesed võivad sattuda silma ja põhjustada tõsiseid püsivigastusi.

Toodet kasutades kandke alati lihviija kasutajate soovitatud prille

### Vibratsioonikahjustused.

Piirake kokkupuudet. Vt vibratsiooni HOIATUST!

### Tolmust tekitatud vigastused.

Kandke töödeldava materjali küljest eralduvate osakeste ja lihvimisketta küljest eralduvate abrasiivosakeste eest kaitsvat asjakohast respiraatorit.

Ärge sööge, jooge ega suitsetage tööruumis. Tagage piisav ventilatsioon.

### Lihvimiskettaga kokkupuutest tekkivad vigastused.

Ketas ja töödeldav detail muutuvad kasutamise käigus kuumaks. Kandke ketaste vahetamisel või töödeldava detaili puudutamisel kindaid. Hoidke alati käed lihvimispinna eemal.

Kinnitage töödeldav detail alati võimalusel pitskrui vahele.

### Mürast tekitatud vigastused.

Pikaajalisel müra kuulmisel tõuseb kuulmiskahjustuste saamise oht ja selle mõjud on kumulatiivsed. Kandke pikaajalisel elektritööriistade kasutamisel kuulmiskaitsevahendeid.

Tööriista pikaajaline kasutamine võib põhjustada või süvendada tervisekahjustusi. Ükskõik millise tööriista pikaajalisel järjestikusel kasutamisel tuleb teha regulaarseid pause.

## KASUTAMINE VASTAVALT OTSTARBELE

Nurklihvija on ette nähtud metalli, kivi, betooni ja keramiiliste materjalide lihvimiseks ja lõikamiseks ning traatharjaga töötlemiseks.

Kasutage lõikamisel tarvikute hulgas olevat lõikekatet.

Kahtlusekorral järgida tarvikute tootja õpetusi.

Elektritööriist sobib üksnes kuivtöötluseks.

Nurklihvija külge on lubatud paigaldada üksnes sobivad lihvimis- või lõikekettaid ja seonduvaid kaitsmeid (lihvimiskaitse või lõikekaitse) vastavalt käesoleva kasutusjuhendi toote spetsifikatsiooni peatükis kirjeldatud. Nurklihvija on ette nähtud käsitsi kasutamiseks. See ei ole ette nähtud paigaldamiseks kinnituse või tööpingi külge.

Ärge kasutage toodet viisidel, mida ei ole toodud kasutusotstarbe peatükis.

## TÖÖJUHISED

Keermestatud kettaga varustada tulevate lihvimisvahendite puhul tagage kettas oleva keermepiisav pikkus spindli jaoks.

Kasutage ja säilitage lõike- ning lihvkettaid alati vastavalt tootja andmetele.

Töötage lihvimisel ja lõikamisel alati kaitsekattega.

Astmelised lihvketad tuleb monteerida nii, et nende lihvipind ei ulatu kaitsekatte serva tasandist väljapoole.

Ääriku mutter peab enne masina käikulaskmist olema pingutatud.

Kasutage alati lisakäepidet.

Töödeldav toorik tuleb kinnitada, kui ta ei seisa oma raskusega paigal. Ärge juhtige toorikut kunagi käega vastu ketast.

## AKUD

Temperatuur üle 50 °C vähendab vahetatava aku töövõimet. Vältige pikemat soojenemist päikese või kütteseadme mõjul.

Hoidke laadija ja vahetatava aku ühenduskontaktid puhtad.

Optimaalse patarei eluea tagamiseks, pärast kasutamist lae patarei plokk täielikult. Pikemat aega mittekasutatud akusid laadige veel enne kasutamist.

Akud tuleks võimalikult pika kasutusea saavutamiseks pärast täislaadimist laadijast välja võtta.

Aku ladustamise üle 30 päeva.; Ladustage akut kuivas kohas u 27°C juures., Ladustage akut u 30-50% laetuseisundis., Laadige aku iga 6 kuu tagant täis.

Ärge visake tarvitatud vahetatavaid akusid tulle ega olmeprügisse. AEG pakub vanade akude keskkonnahoidlikku käitlust; palun küsige oma erialasel tarnijalt.

Ärge säilitage vahetatavaid akusid koos metallesemetega (lühiseoht).

## AKU KOORMUSKAITSE

Kui akumulaatorid on ülekoormatud liiga suure energiakulu tõttu, näiteks, liiga suurte pöörete korral, kinnikiilunud seadme, äkilise seiskumise või lühihüanduse korral instrument seiskub 2 sekundiks ja lülitub ise välja. Lähtestamiseks eemaldage akupakk tööriistalt ja asendage see.

Ülisuurel koormusel võib aku kuumeneda kõrgete temperatuurideni. Sellisel juhul vilguvad kõik laadimistulukesed kuni aku jahtumiseni. Peale laadimistulukeste kustumist võite tööd jätkata. Aku tuleb laadimiseks ja taasaktiveerimiseks sisestada laadimisseadmesse.

## LIITIUMIOONAKUDE TRANSPORTIMINE

Liitiumioonakud on allutatud ohtlike ainete transportimisega seonduvatele õigusaktidele.

Nende akude transportimine peab toimuma kohalikest, sise-riiklikest ja rahvusvahelistest eeskirjadest ning määrustest kinni pidades.

Tarbijad tohivad näri akusid edasiste piiranguteta tänaval transportida.

Liitiumioonakude komertstransport ekspedeerimisetevõtete kaudu on allutatud ohtlike ainete transportimisega seonduvatele õigusaktidele. Tarne-ettevalmistusi ja transporti tohivad teostada eranditult vastavalt koolitatud isikud. Kogu protsessi tuleb asjatundlikult jälgida.

Akude transportimisel tuleb järgida järgmisi punkte:

Tehke kindlaks, et kontaktid on lühiste vältimiseks kaitsitud ja isoleeritud. Pöörake tähelepanu sellele, et akupakk ei saaks pakendist nihkuda. Kahjustatud või välja voolanud akusid ei tohi kasutada. Pöörduge edasiste juhiste saamiseks ekspedeerimisetevõtte poole.

## TAASKÄIVITUSKAITSE

Nullpingelüliti takistab masina taaskäivitumist pärast voolukatkestust (aku vahetamine).

Uue tööülesande alustamise eel masin algul välja lülitada ning seejärel taas sisse lülitada.

## SUJUVKÄIVITUS

Turvaliseks käsitsemiseks mõeldud elektrooniline sujuvkäivitus takistab masina järsku käivitumist sisselülitamisel.



Est

## HOOLDUS

Enne kõiki töid masina kallal võtke vahetatav aku välja.

Hoidke masina õhutuspidul alati puhtad.

Kasutage ainult AEG tarvikuid ja tagavaraosi. Detailid, mille väljavahetamist pole kirjeldatud, laske välja vahetada AEG kliendi-teeninduspunktis (vaadake brošüüri garantii / klienditeeninduste aadressid).

Vajaduse korral võite tellida seadme läbilõikejoonise, näidates ära masina tüübi ja andmesildil oleva numbriga. Selleks pöörduge klienditeeninduspunkti või otse: Techtronic Industries GmbH, Max-Eyth-Straße 10, 71364 Winnenden, Germany.

## EÜ VASTAVUSAVALDUS

Kinnitame oma ainuvastutusel, et „Tehniliste andmete“ all kirjeldatud toode vastab direktiivide kõigile asjakohastele sätetele 2011/65/EU (RoHS)

2006/42/EÜ

2014/30/EÜ

ning täidetud on järgmiste ühtlustatud standardite nõuded.

EN 60745-1:2009 + A11:2010

EN 60745-2-3:2011 + A2:2013 + A11:2014 + A12:2014 + A13:2015

EN 55014-1:2017

EN 55014-2:2015

EN 50581:2012



Winnenden, 2018-08-16

Alexander Krug / Managing Director

On volitatud koostama tehnilist dokumentatsiooni.

Techtronic Industries GmbH

Max-Eyth-Straße 10, 71364 Winnenden, Germany

## SÜMBOLID



ETTEVAATUST! TÄHELEPANU! OHUD!



Palun lugege enne käikulaskmist kasutamisujuhend hoolikalt läbi.



Masinaga töötades kandke alati kaitseprille.



Kanda kaitsekindaid!



Enne kõiki töid masina kallal võtke vahetatav aku välja.



Vibratsioonivastane süsteem



Ärge kasutage jõudu.



Ainult löikamistööriistu.



Ainult lihvimistööriistu.



Käivitamise ja talitluse käigus ärge vajutage spindliuku nuppu.



Tarvikud - ei kuulu tarne komplekti, soovitatav täiendus on saadaval tarvikute programmis.



Varuosad - Ei sisaldu standardvarustuses, saadaval varuosana.



Elektriseadmeid, patareid/akusid ei tohi utiliseerida koos majapidamisprügiga. Elektriseadmed ja akud tuleb eraldi kokku koguda ning kõrvaldada keskkonnasõbralikul moel töötlemiskeskusesse. Küsige infot jäätmekehtlusaamade ja kogumispunktide kohta oma kohalike ametnike või edasimüüja käest.

— — — Alalisvool

**V** Voltaaž

**n** Nimipöörded



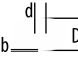
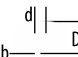
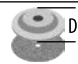

Euroopa vastavusmärk



Ukraina vastavusmärk



Euraasia vastavusmärk

ТЕХНИЧЕСКИЕ ДАННЫЕ Акк. угловая шлифмашина	BEWS18-115BL	BEWS18-125BL
Серийный номер изделия	4693 80 01 ... 4690 25 01 ... ... 000001-999999	4693 85 01 ... 4690 40 01 ... ... 000001-999999
Вольтаж аккумулятора	18 V	18 V
Номинальное число оборотов	11000 min <sup>-1</sup>	11000 min <sup>-1</sup>
D= Диаметр шлифовального диска макс. d= Диаметр и отверстия  b= Толщина отрезного круга мин. / макс.  b= Толщина шлифовального диска макс.	115 mm 22,2 mm 1/3 mm 6 mm	125 mm 22,2 mm 1/3 mm 6 mm
 D= ø шлифующей поверхности макс.	115 mm	125 mm
 D= ø круглой щетки макс.	75 mm	75 mm
Резьба шпинделя	M 14	M 14
Вес согласно процедуре ЕРТА 01/2014 (Li-Ion 1,5 Ah...9,0 Ah)	2,4 kg ... 3,1 kg	2,4 kg ... 3,1 kg
Температура окружающей среды, рекомендованная для эксплуатации	-18°C ... +50°C	-18°C ... +50°C
Рекомендованные аккумуляторные блоки	L18...	L18...
Рекомендованные зарядные устройства	AL1218... / BL 1218...	AL1218... / BL 1218...
<b>Информация по шумам</b>		
Значения замерялись в соответствии со стандартом EN 60745. Уровень шума прибора, определенный по показателю A, обычно составляет:		
Уровень звукового давления (Небезопасность K=3dB(A))	83dB(A)	83dB(A)
Уровень звуковой мощности (Небезопасность K=3dB(A))	84dB(A)	84dB(A)
<b>Пользуйтесь приспособлениями для защиты слуха.</b>		
<b>Информация по вибрации</b>		
Общие значения вибрации (векторная сумма трех направлений) определены в соответствии с EN 60745.		
Плоское шлифование (Li-Ion 1,5 Ah): Значение вибрационной эмиссии a <sub>h,AG</sub> Небезопасность K=	9,4m/s <sup>2</sup> 1,5 m/s <sup>2</sup>	9,4m/s <sup>2</sup> 1,5 m/s <sup>2</sup>
Шлифовка с помощью шлифовального полотна (Li-Ion 1,5 Ah): Значение вибрационной эмиссии a <sub>h,DS</sub> Небезопасность K=	5,7m/s <sup>2</sup> 1,5 m/s <sup>2</sup>	5,7m/s <sup>2</sup> 1,5 m/s <sup>2</sup>

При применении в других целях, как, напр., абразивное отрезание или шлифование стальной проволочной щеткой, могут получаться другие показатели вибрации!

### ПРЕДУПРЕЖДЕНИЕ о вибрации!

Указанный в настоящем руководстве уровень вибрации измерен в соответствии с технологией измерения, установленной стандартом EN 60745 и может использоваться для сравнения электроинструментов друг с другом. Он также подходит для предварительной оценки вибрационной нагрузки.

Указанный уровень вибрации представляет основные виды использования электроинструмента. Но если электроинструмент используется для других целей, используемый инструмент отклоняется от указанного или техническое обслуживание было недостаточным, то уровень вибрации может отклоняться от указанного. В этом случае вибрационная нагрузка в течение всего периода работы значительно увеличивается.

Для точной оценки вибрационной нагрузки необходимо также учитывать время, в течение которого прибор отключен или включен, но фактически не используется. В этом случае вибрационная нагрузка в течение всего периода работы может существенно уменьшиться.

Установите дополнительные меры безопасности для защиты пользователя от воздействия вибрации, например: техническое обслуживание электроинструмента и используемого инструмента, поддержание рук в теплом состоянии, организация рабочих процессов.



РУС

## **⚠ ВНИМАНИЕ!**

Ознакомьтесь со всеми указаниями по безопасности и инструкциями Упущения, допущенные при не соблюдении указаний и инструкций по технике безопасности, могут стать причиной электрического поражения, пожара и тяжелых травм.

Сохраняйте эти инструкции и указания для будущего использования.



### Описание устройства

- |   |   |    |                                |
|---|---|----|--------------------------------|
| 1 | Блокировка шпинделя   | 6  | Рычаг блокировки защиты        |
| 2 | Дополнительная рукоятка / AVS<br>Дополнительная рукоятка<br>Изолированная поверхность ручки | 7  | Принадлежности                 |
| 3 | Рукоятка Изолированная поверхность ручки  | 8  | Фланец                         |
| 4 | Переключатель вкл./выкл.  | 9  | Гайка фланца / Гайка<br>FIXTEC |
| 5 | Защитный кожух для шлифовки   | 10 | Аккумулятор                    |
|   |   | 11 | Пылезащитный экран             |
|   |   | 12 | Защитный кожух для резания     |

## **⚠ УКАЗАНИЯ ПО БЕЗОПАСНОСТИ К УГЛОВОЙ ШЛИФОВАЛЬНОЙ МАШИНЕ**

Общие предупреждающие указания по шлифованию, шлифованию наждачной бумагой, для работ с проволочными щетками, для полирования и отрезных работ:

**а) Настоящий электроинструмент предназначен для применения в качестве шлифовальной машины, шлифовальной машины с наждачной бумагой, проволочной щетки и отрезной машины. Учитывайте все предупреждающие указания, инструкции, иллюстрации и данные, которые Вы получите с электроинструментом. При несоблюдении нижеследующих указаний возможно поражения электротоком, возникновение пожара и/или получение серьезных травм.**

**б) Настоящий электроинструмент не пригоден для полирования. Использование электроинструмента не по назначению может вывести его из строя и нанести травмы.**

**с) Не применяйте принадлежности, которые не предусмотрены изготовителем специально для настоящего электроинструмента и не рекомендуются им. Только возможность крепления принадлежностей в Вашем электроинструменте не гарантирует еще его надежного применения.**

**д) Допустимое число оборотов используемых принадлежностей должно быть как минимум таким же, как и максимальное число оборотов, указанное на электроинструменте. Комплектующие, которые вращаются быстрее допустимой скорости, могут сломаться и отлететь.**

**е) Наружный диаметр и толщина рабочих принадлежностей должны соответствовать размерам Вашего электроинструмента. Неправильно соразмеренные рабочие принадлежности не могут быть в достаточной степени защищены или контролироваться.**

**ф) Резьба принадлежностей должна совпадать с резьбой шлифовального шпинделя. У принадлежностей, которые прикрепляются фланцами, отверстие для фиксации в детали должно совпадать с диаметром локализирующего фланца. Детали, которые не подходят к монтажному стрижному прибору, работают эксцентрично, вибрируют слишком сильно и могут привести к потере контроля над инструментом.**

**г) Не применяйте поврежденную оснастку. Проверяйте каждый раз перед использованием рабочие инструменты, как то, шлифовальные круги на сколы и трещины, шлифовальные тарелки на трещины, риски или сильный износ, проволочные щетки на незакрепленные или поломанные проволоки. После падения электроинструмента или оснастки проверяйте последнюю на повреждения и при надобности установите неповрежденную оснастку. После ее закрепления займите сами и все находящиеся вблизи лица положение за пределами плоскости вращения и включите электроинструмент на одну минуту на максимальное число оборотов. Поврежденные рабочие инструменты разрываются, в большинстве случаев, за это время контроля.**

**h) Применяйте средства индивидуальной защиты. В зависимости от выполняемой работы применяйте защитный щиток для лица, защитное средство для глаз или защитные очки. Насколько уместно, применяйте противопылевой респиратор, средства защиты органов слуха, защитные перчатки или специальный фартук, которые защищают Вас от абразивных частиц и частиц материала. Глаза должны быть защищены от летящих осколков, которые возникают при выполнении различных работ. Противопылевой респиратор или защитная маска органов дыхания должны задерживать возникающую при работе пыль. Продолжительное воздействие сильного шума может привести к потере слуха.**

**и) Следите за тем, чтобы все лица находились на безопасном расстоянии к Вашему рабочему участку. Каждое лицо в пределах рабочего участка должно иметь средства индивидуальной защиты. Осколки детали или разорванных рабочих инструментов могут отлететь в сторону и стать причиной травм также и за пределами непосредственного рабочего участка.**

**j) Если Вы выполняете работы, при которых режущий инструмент может зацепить скрытую электропроводку кабель, инструмент следует держать за специально предназначенные для этого изолированные поверхности. Контакт режущего инструмента с токоведущим**

проводом может ставить под напряжение металлические части прибора, а также приводить к удару электрическим током.

**к) Никогда не кладите электрический инструмент до тех пор, пока инструментальная насадка полностью не остановится.** Вращающийся рабочий инструмент может зацепиться за опорную поверхность и в результате Вы можете потерять контроль над электроинструментом.

**л) Выключайте электроинструмент при транспортировании.** Ваша одежда может быть случайно захвачена вращающимся рабочим инструментом и последний может нанести Вам травму.

**м) Регулярно очищайте вентиляционные прорези Вашего электроинструмента.** Вентилятор двигателя затягивает пыль в корпус и большое скопление металлической пыли может привести к поражению электричеством.

**н) Не пользуйтесь электроинструментом вблизи горючих материалов.** Искры могут воспламенить эти материалы.

**о) Не применяйте рабочие принадлежности, требующие применения охлаждающих жидкостей.** Применение воды или других охлаждающих жидкостей может привести к поражению электротоком.

### **Обратный удар и соответствующие предупреждающие указания**

Обратный удар это внезапная реакция в результате заедания или блокирования вращающихся частей инструмента/ принадлежностей, как то, шлифовального круга, шлифовальной тарелки, проволочной щетки и т.д., ведущая к резкой остановки вращающихся частей инструмента. При этом неконтролируемый электроинструмент ускоряется против направления вращения принадлежностей

Если шлифовальный круг заедает или блокирует в заготовке, то погруженная в заготовку кромка шлифовального круга может быть зажата и в результате привести к выскакиванию круга из заготовки или к обратному удару. При этом шлифовальный круг движется на оператора или от него, в зависимости от направления вращения круга на месте блокирования. При этом шлифовальный круг может поломаться.

Обратный удар является следствием неправильного использования электроинструмента или ошибки оператора. Он может быть предотвращен описанными ниже мерами предосторожности.

**а) Крепко держите электроинструмент и займите Вашим телом и руками положение, в котором Вы можете противодействовать обратным силам. При наличии, всегда применяйте дополнительную рукоятку, чтобы как можно лучше противодействовать обратным силам или реакционным моментам при наборе оборотов.**

Оператор может подходящими мерами предосторожности противодействовать силам обратного удара и реакционным силам.

**б) Ваша рука никогда не должна быть вблизи вращающегося рабочего инструмента.** При обратном ударе рабочий инструмент может пойти по Вашей руке.

**с) Держитесь в стороне от участка, в котором при обратном ударе будет двигаться электроинструмент.** Обратный удар ведет электроинструмент в противоположном направлении к движению шлифовального круга в месте блокирования.

**д) Особенно осторожно работайте на углах, острых кромках и т.д. Предотвращайте отскок рабочего инструмента от заготовки и его заклинивание.** Углы,

острые кромки и пружинящие элементы могут стать причиной заклинивания вращающейся оснастки. Это вызывает потерю контроля или обратный удар.

**е) Не пользуйтесь цепными или зубчатыми пилами.** Такие инструментальные насадки часто приводят к отдаче или потере контроля над электрическим инструментом.

### **Специальные предупреждающие указания по шлифованию и отрезанию**

**а) Применяйте допущенные исключительно для Вашего электроинструмента абразивные инструменты и предусмотренные для них защитные кожухи.**

Абразивные инструменты, не предусмотренные для этого электроинструмента, не могут быть достаточно экранированы и не безопасны.

**б) Изогнутые шлифовальные диски необходимо устанавливать таким образом, чтобы их шлифовальная поверхность не выходила за пределы края защитного кожуха.** Установленный ненадлежащим образом шлифовальный диск, выходящий за пределы края защитного кожуха, невозможно экранировать достаточным образом.

**с) Всегда применяйте защитный кожух, предусмотренный для применяемого вида абразивного инструмента. Защитный кожух должен быть надежно закреплен на электроинструменте и настроен так, чтобы достиглась наибольшая степень безопасности, т.е. в сторону оператора должна быть открыта как можно меньшая часть абразивного инструмента.** Защитный кожух должен защищать оператора от осколков и случайного контакта с абразивным инструментом.

**д) Абразивные инструменты допускается применять только для рекомендуемых работ. Например: никогда не шлифуйте боковую поверхность отрезного круга.** Отрезные круги предназначены для съема материала кромкой. Боковые силы на этот абразивный инструмент могут сломать его.

**е) Всегда применяйте неповрежденные фланцевые гайки с правильными размерами и формой для выбранного Вами шлифовального круга.** Правильные фланцы являются опорой для шлифовального круга и уменьшают опасность его поломки. Фланцы для отрезных кругов могут отличаться от фланцев для шлифовальных кругов.

**ф) Не применяйте изношенные шлифовальные круги больших электроинструментов.** Шлифовальные круги для больших электроинструментов изготовлены не для высоких скоростей вращения маленьких электроинструментов и их может разорвать.

### **Дополнительные специальные предупреждающие указания отрезания шлифованием**

**а) Предотвращайте блокирование отрезного круга и завышенное усилие прижатия. Не выполняйте слишком глубоких резов.** Перегрузка отрезного круга повышает его нагрузку и склонность к перекашиванию или блокированию и этим возможность обратного удара или поломки абразивного инструмента.

**б) Будьте осторожны перед и за вращающимся отрезным кругом.** Если Вы ведете отрезной круг в заготовке от себя, то в случае обратного удара электроинструмент может с вращающимся кругом отскочить прямо на Вас.

**с) При заклинивании отрезного круга и при перерыве в работе выключайте электроинструмент и держите его спокойно, неподвижно до остановки круга. Никогда не пытайтесь вынуть еще вращающийся отрезной круг**



**РУС**

из реза, так как это может привести к обратному удару. Установите и устраните причину заклинивания.

**d) Не включайте повторно электроинструмент пока абразивный инструмент находится в заготовке. Дайте отрезному кругу развить полное число оборотов, перед тем как Вы осторожно продолжите резание.** В противном случае круг может заесть, он может выскочить из детали и привести к обратному удару.

**e) Плиты или большие заготовки должны надежно лежать на опоре, чтобы снизить опасность обратного удара при заклинивании отрезного круга.** Большие заготовки могут прогибаться под собственным весом. Заготовка должна лежать на опорах с обеих сторон, как вблизи реза, так и по краям.

**f) Действуйте с особой осторожностью при вырезании участков существующих стен или при работе в других слепых зонах.** Погружающийся отрезной круг может при резании газопровода или водопровода, электрических проводов или других объектов привести к обратному удару.

**Специальные предупреждающие указания для шлифования наждачной бумагой:**

**a) Не применяйте шлифовальные листы с завышенными размерами, а следуйте данным изготовителя по размерам шлифовальных листов.** Шлифовальные листы, выступающие за край шлифовальной тарелки, могут стать причиной травм и блокирования, рваться или привести к обратному удару.

**Особые предупреждающие указания для работ с проволочными щетками:**

**a) Учитывайте, что металлическая щетина может отлетать даже во время обычной работы. Не перегружайте проволочку, подвергая щетку чрезмерной нагрузке.** Металлическая щетина может легко проникнуть сквозь одежду и/или кожу.

**b) Если для работы рекомендуется использовать защитный кожух, то исключайте соприкосновение проволочной щетки с кожей.** Тарельчатые и чашечные щетки могут увеличивать свой диаметр под действием усилия прижатия и центрифугальных сил.

**Дополнительные указания по безопасности и работе**

Перед включением инструмента всегда проверяйте, находится ли кнопка блокиратора шпинделя в положении полной разблокировки. После использования блокиратора шпинделя для крепления/высвобождения абразивного диска кнопка может застрять в положении блокировки. Она может привести ко включению защиты инструмента или аккумулятора и отключить питание устройства. Выключите переключатель, извлеките аккумулятор, а затем осторожно перемещайте диск вперед и назад, чтобы высвободить кнопку блокиратора шпинделя.

Примечание: В случае активации защиты аккумулятора просто извлеките аккумуляторную батарею из инструмента и установите ее обратно, таким образом сбросив защиту. Необходимо следить за тем, чтобы искры, вылетающие с обрабатываемой поверхности, не попадали на воспламеняющиеся материалы.

Избегайте попадания искр и шлифовальной пыли на тело.

Никогда не касайтесь опасной режущей зоны в момент работы.

Не убирайте опилки и обломки при включенном инструменте.

Немедленно выключайте машину если почувствовали ощутимую вибрацию или при других неисправностях. Проверьте инструмент чтобы обнаружить причину неисправности.

При предельных условиях эксплуатации (напр., при гладкой шлифовке металлу с опорным диском и шлифовальным кругом из вулканизированной фибры) может образоваться сильное загрязнение во внутренней части угловой шлифовальной машинки.

Не приближайте металлические предметы к вентиляционным отверстиям из-за опасности короткого замыкания!

**ВНИМАНИЕ!** Для предотвращения опасности пожара в результате короткого замыкания, травм и повреждения изделия не опускайте инструмент, сменный аккумулятор или зарядное устройство в жидкости и не допускайте попадания жидкостей внутрь устройств или аккумуляторов. Коррозионные и проводящие жидкости, такие как соленый раствор, определенные химикаты, отбеливающие средства или содержащие их продукты, могут привести к короткому замыканию.

Никогда не вскрывайте аккумуляторы или зарядные устройства и храните их только в сухих помещениях. Следите, чтобы они всегда были сухими.

Для зарядки аккумуляторов модели GBS используйте только зарядным устройством GBS. Не заряжайте аккумуляторы других систем.

#### ОСТАТОЧНЫЕ ОПАСНОСТИ

Даже в том случае, если углошлифовальная машина используется согласно инструкциям, невозможно полностью исключить определенные остаточные факторы риска. Могут возникать указанные ниже опасности, и оператор должен обращать особое внимание, чтобы избежать их.

**Травмы, вызванные разлетающимися частицами.**

Металлические или абразивные частицы могут попасть в глаза и причинить необратимое повреждение.

При каждом использовании продукта носите защитные очки, предназначенные для выполнения шлифовальных работ.

**Травмы, вызванные вибрацией.**

Ограничивайте воздействие. См. ПРЕДУПРЕЖДЕНИЕ о вибрации!

**Травмы, вызванные пылью.**

Носите соответствующую пылезащитную маску для защиты от частиц обрабатываемого материала и частиц шлифовального диска.

Не употребляйте еду и напитки, не курите в рабочей области. Обеспечьте достаточную вентиляцию.

**Травма вследствие контакта со шлифовальным диском.**

Во время работы диск и заготовка сильно нагреваются.

Заменяя диск или прикасаясь к заготовке, носите перчатки. Всегда держите руки на расстоянии от области шлифования.

Всегда фиксируйте заготовку, когда это возможно.

**Травмы, вызванные шумом.**

Продолжительное воздействие шума повышает риск повреждения органов слуха, и это воздействие имеет кумулятивный эффект. При использовании электроинструментов в течение продолжительного времени пользуйтесь средствами защиты органов слуха.

Травмы также могут быть вызваны или усугублены использованием инструмента в течение продолжительного





времени. Если вы используете какой-либо инструмент в течение длительного времени, делайте регулярные перерывы.

## ИСПОЛЬЗОВАНИЕ

Углошлифовальная машина предназначена для шлифования и резания металла, камня, бетона и керамики, а также для обработки шлифовальной бумагой и проволочной щеткой.

Используйте для резания защитный колпачок из ассортимента принадлежностей.

В случае сомнения соблюдайте указания производителя принадлежностей.

Этот электроинструмент предназначен только для работы всухую.

Устанавливайте на углошлифовальную машину только соответствующие шлифовальные или режущие диски и сопутствующие защитные приспособления (защитный кожух для шлифовки или резания) согласно указаниям в разделе касательно спецификации продукта в настоящем руководстве. Углошлифовальная машина предназначена для ручного использования и не предназначена для установки на рабочем столе или на крепежных приспособлениях.

Не используйте этот продукт для любой другой цели; используйте его только по указанному целевому назначению.

## УКАЗАНИЯ ПО РАБОТЕ

Предназначается для инструментов, которые могут использоваться с кругами, оснащенными резьбовым отверстием, причем длина резьбы должна соответствовать длине шпинделя.

Всегда используйте и храните отрезные и шлифовальные диски в соответствии с инструкциями производителя.

При шлифовании или отрезании всегда пользуйтесь защитным ограждением.

Изогнутые шлифовальные диски необходимо восстанавливать таким образом, чтобы их шлифовальная поверхность не выходила за пределы края защитного кожуха.

Перед включением инструмента затяните гайку с фланцем. Всегда пользуйтесь дополнительной рукояткой.

Если изделие не достаточно тяжелое и неустойчивое, то его необходимо закрепить. Никогда не подносите изделие к шлифовальному диску, держа его в руках.

## АККУМУЛЯТОР

Температура свыше 50°C снижает работоспособность аккумуляторов. Избегайте продолжительного нагрева или прямого солнечного света (риск перегрева).

Контакты зарядного устройства и аккумуляторов должны содержаться в чистоте.

Для обеспечения оптимального срока службы аккумулятор необходимо полностью заряжать после использования прибора. Перед использованием аккумулятора, которым не пользовались некоторое время, его необходимо зарядить.

Для достижения максимально возможного срока службы аккумуляторы после зарядки следует вынимать из зарядного устройства.

При хранении аккумулятора более 30 дней: Храните аккумулятор при 27°C в сухом месте. Храните аккумулятор с зарядом примерно 30% - 50%. Каждые 6 месяцев аккумулятор следует заряжать.

Не выбрасывайте использованные аккумуляторы вместе с домашним мусором и не сжигайте их. Дистрибьюторы компании AEG предлагают восстановление старых аккумуляторов, чтобы защитить окружающую среду.

Не храните аккумуляторы вместе с металлическими предметами во избежание короткого замыкания.

## ЗАЩИТА АККУМУЛЯТОРА ОТ ПЕРЕГРУЗКИ

При перегрузке аккумулятора слишком сильным током, например, вследствие слишком большого крутящего усилия, заклинивания электроинструмента, внезапной остановки или короткого замыкания электроинструмент останавливается в течение 2 секунд и отключается самостоятельно. Для сброса просто извлеките аккумуляторную батарею из инструмента и установите ее обратно.

При слишком высоких нагрузках аккумулятор перегревается. В этом случае загораются все лампы индикатора заряда аккумулятора. Когда аккумулятор остынет и лампы погаснут – можно продолжить. Чтобы снова зарядить и активировать аккумулятор, подключите его к зарядному устройству.

## ТРАНСПОРТИРОВКА ЛИТИЙ-ИОННЫХ АККУМУЛЯТОРОВ

Литий-ионные аккумуляторы в соответствии с предписаниями закона транспортируются как опасные грузы.

Транспортировка этих аккумуляторов должна осуществляться с соблюдением местных, национальных и международных предписаний и положений.

Эти аккумуляторы могут перевозиться по улице потребителем без дальнейших обязательств.

При коммерческой транспортировке литий-ионных аккумуляторов экспедиторскими компаниями действуют положения, касающиеся транспортировки опасных грузов. Подготовка к отправке и транспортировка должны производиться исключительно специально обученными лицами. Весь процесс должен находиться под контролем специалиста.

При транспортировке аккумуляторов необходимо соблюдать следующие пункты:

Убедитесь, что контакты защищены и изолированы во избежание короткого замыкания. Следите за тем, чтобы аккумуляторный блок не соскользнул внутри упаковки. Транспортировка поврежденных или протекающих аккумуляторов запрещена. За дополнительными указаниями обратитесь к своему экспедитору.

## ЗАЩИТА ОТ ПОВТОРНОГО ВКЛЮЧЕНИЯ

Нулевой выключатель предотвращает повторное включение машины после прерывания электропитания (замены батареи).

Для того, чтобы снова ввести машину в работу, ее необходимо выключить и снова включить.

## ПЛАВНЫЙ СТАРТ

Плавный старт для безопасной работы предотвращает резкое включение инструмента.

## ОБСЛУЖИВАНИЕ

Выньте аккумулятор из машины перед проведением с ней каких-либо манипуляций.

Всегда держите охлаждающие отверстия чистыми.



РУС

Пользуйтесь аксессуарами и запасными частями только фирмы АЕГ. В случае возникновения необходимости в замене, которая не была описана, пожалуйста, обращайтесь на один из сервисных центров (см. список наших гарантийных/сервисных организаций).

При необходимости может быть заказан чертеж инструмента с трехмерным изображением деталей. Пожалуйста, укажите номер и тип инструмента и закажите чертеж у Ваших местных агентов или непосредственно у Techtronic Industries GmbH, Max-Eyth-Straße 10, 71364 Winnenden, Germany.

### ДЕКЛАРАЦИЯ О СООТВЕТСТВИИ СТАНДАРТАМ ЕС

Мы несем исключительную ответственность за то, что изделие, описанное в разделе «Техническая информация» соответствует всем применимым положениям директив

2011/65/EU (RoHS)

2006/42/EC

2014/30/EU

а также следующим согласованным стандартам

EN 60745-1:2009 + A11:2010

EN 60745-2-3:2011 + A2:2013 + A11:2014 + A12:2014 + A13:2015

EN 55014-1:2017

EN 55014-2:2015

EN 50581:2012



Winnenden, 2018-08-16

Alexander Krug / Managing Director  
Уполномочен на составление технической документации.

Techtronic Industries GmbH  
Max-Eyth-Straße 10, 71364 Winnenden, Germany

### СИМВОЛЫ



**ВНИМАНИЕ! ПРЕДУПРЕЖДЕНИЕ! ОПАСНОСТЬ!**



Пожалуйста, внимательно прочтите инструкцию по использованию перед началом любых операций с инструментом.



При работе с инструментом всегда надевайте защитные очки.



Надевать защитные перчатки!



Выньте аккумулятор из машины перед проведением с ней каких-либо манипуляций.



Система ЗАЩИТЫ от вибрации



Не применяйте силу



Только для отрезания.



Только для шлифования.



Не нажимайте кнопку блокиратора шпинделя во время запуска и движения по инерции.



Принадлежности - В стандартную комплектацию не входит, поставляется в качестве дополнительной принадлежности.



Запасная деталь - Не входит в комплектацию и доступна в качестве запасной детали.



Электроприборы, батареи/аккумуляторы запрещено утилизировать вместе с бытовым мусором.

Электрические приборы и аккумуляторы следует собирать отдельно и сдавать в специализированную компанию для утилизации в соответствии с нормами охраны окружающей среды. Получите в местных органах власти или у вашего специализированного дилера сведения о центрах вторичной переработки и пунктах сбора.

— — — Постоянный ток

**V** Напряжение

**n** Номинальное число оборотов



Европейский знак соответствия



Украинский знак соответствия



Евразийский знак соответствия

### Транспортировка:

Категорически не допускается падение и любые механические воздействия на упаковку при транспортировке.

При разгрузке/погрузке не допускается использование любого вида техники, работающей по принципу зажима упаковки.

### Хранение:

Необходимо хранить в сухом месте.

Необходимо хранить вдали от источников повышенных температур и воздействия солнечных лучей.

При хранении необходимо избегать резкого перепада температур. Хранение без упаковки не допускается.

### Срок службы изделия:

Срок службы изделия составляет 5 лет.

Не рекомендуется к эксплуатации по истечении 5 лет хранения с даты изготовления без предварительной проверки.

### Дата изготовления (код даты)

отштампован на поверхности корпуса изделия.

Пример:

A2015, где 2015 - год изготовления

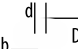
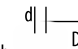
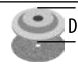
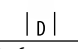
A - месяц изготовления

Определить месяц изготовления можно согласно приведенной ниже таблице.

A - Январь	G - Июль
B - Февраль	H - Август
C - Март	J - Сентябрь
D - Апрель	K - Октябрь
E - Май	L - Ноябрь
F - Июнь	M - Декабрь

Тектроник Индастриз ГмбХ  
Германия, 71364, Винненден,  
ул. Макс-Ай-Штрассе, 10  
Сделано в КНР

Русский

ТЕХНИЧЕСКИ ДАННИ Акумулаторен Ъглошлайф	BEWS18-115BL	BEWS18-125BL
Производствен номер	4693 80 01 ... 4690 25 01 ... ... 000001-999999	4693 85 01 ... 4690 40 01 ... ... 000001-999999
Напрежение на акумулатора	18 V	18 V
Номинална скорост на въртене	11000 min <sup>-1</sup>	11000 min <sup>-1</sup>
D= ø на абразивните дискове макс. d= отвор с ø  b= Дебелина на режещия диск мин. / макс.  b= Дебелина на диска за шлайфане макс.	115 mm 22,2 mm 1/3 mm	125 mm 22,2 mm 1/3 mm
 D= ø шлифовъчна повърхност макс.	115 mm	125 mm
 D= ø чашковидна четка макс.	75 mm	75 mm
Резба на шпиндела	M 14	M 14
Тегло съгласно процедурата EPTA 01/2014 (Li-Ion 1,5 Ah .. 9,0 Ah)	2,4 kg ... 3,1 kg	2,4 kg ... 3,1 kg
Препоръчителна температура на околната среда при експлоатация	-18°C ... +50°C	-18°C ... +50°C
Препоръчителни акумулаторни батерии	L18...	L18...
Препоръчителни зарядни устройства	AL1218... / BL 1218...	AL1218... / BL 1218...
<b>Информация за шума</b> Измерените стойности са получени съобразно EN 60745. Оцененото с А ниво на шума на уреда е съответно: Равнище на звуковото налягане (Несигурност K=3dB(A)) Равнище на мощността на звука (Несигурност K=3dB(A))		
	83dB(A) 84dB(A)	83dB(A) 84dB(A)
<b>Да се носи предпазно средство за слуха!</b>		
<b>Информация за вибрациите</b> Общите стойности на вибрациите (векторна сума на три посоки) са определени в съответствие с EN 60745.		
Шлайфане на повърхности (Li-Ion 1,5 Ah): Стойност на емисии на вибрациите a <sub>h,AG</sub> Несигурност K=	9,4m/s <sup>2</sup> 1,5 m/s <sup>2</sup>	9,4m/s <sup>2</sup> 1,5 m/s <sup>2</sup>
Шлайфане с лента за шлайфане (Li-Ion 1,5 Ah): Стойност на емисии на вибрациите a <sub>h,DS</sub> Несигурност K=	5,7m/s <sup>2</sup> 1,5 m/s <sup>2</sup>	5,7m/s <sup>2</sup> 1,5 m/s <sup>2</sup>

При друго използване, например отрезно шлайфане или шлайфане със стоманена четка, могат да се получат други стойности на вибрациите!

### ПРЕДУПРЕЖДЕНИЕ за вибрации!

Посоченото в тези инструкции ниво на вибрациите е измерено в съответствие със стандартизиран в EN 60745 измервателен метод и може да се използва за сравнение на електрически инструменти помежду им. Подходящ е и за временна оценка на вибрационното натоварване.

Посоченото ниво на вибрациите представя основните приложения на електрическия инструмент. Ако обаче електрическият инструмент се използва с друго предназначение, с различни сменяеми инструменти или при недостатъчна техническа поддръжка, нивото на вибрациите може да е различно. Това чувствително може да увеличи вибрационното натоварване по време на целия работен цикъл.

За точната оценка на вибрационното натоварване трябва да се вземат предвид и периодите от време, в които уредът е изключен или работи, но в действителност не се използва. Това чувствително може да намали вибрационното натоварване по време на целия работен цикъл.

Определете допълнителни мерки по техника на безопасност в защита на обслужващия работник от въздействието на вибрациите като например: техническа поддръжка на електрическия инструмент и сменяемите инструменти, поддържане на ръцете топли, организация на работния цикъл.

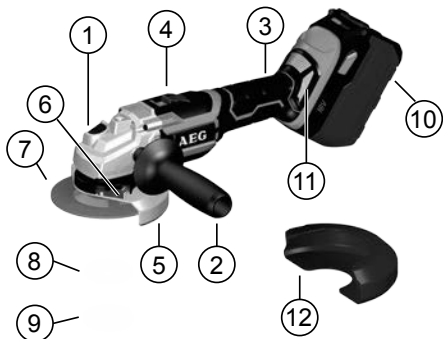


## **⚠ ВНИМАНИЕ!**

Прочетете указанията за безопасност и съветите.

Пропуски при спазването на указанията и на инструкциите за безопасност могат да доведат до токов удар, пожар и/или тежки наранявания.

**Запазете всички указания и инструкции за безопасност за бъдещето.**



### Описание на устройството

- |   |  |              |                                       |
|---|--|--------------|---------------------------------------|
| 1 | Заклучващ механизъм на шпиндела            | раздробяване |                                       |
| 2 | Допълнителна ръкохватка / AVS              | 6            | Лост за застопоряване на предпазителя |
| 3 | Допълнителна ръкохватка                    | 7            | Акcesoари                             |
| 4 | Изолирана повърхност за хващане            | 8            | Фланец                                |
| 5 | Ръкохватка Изолирана повърхност за хващане | 9            | Гайка на фланеца /Гайка FIXTEC        |
| 6 | Ключ за пускане/спиране                    | 10           | Акумулаторна батерия                  |
| 7 | Предпазител при                            | 11           | Прахов предпазител                    |
| 8 |  | 12           | Предпазител при рязане                |

## **⚠ УКАЗАНИЯ ПО ТЕХНИКА НА БЕЗОПАСНОСТ ЗА БЪГЛОШЛАЙФ**

Общи инструкции за безопасност при шлифване, шлифване с шкурка, работа с телени четки и при абразивно рязане.

**а) Този електроинструмент е предвиден за употреба като шлайф, шлайф за шкурене, телена четка и абразивна машина за рязане. Спазвайте всички инструкции за безопасност, указания, илюстрации и данни, които получавате с уреда. Ако не спазвате следните указания, това може да доведе до токов удар, пожар и/или тежки наранявания.**

**б) Този електроинструмент не е подходящ заполяране.** Ако се използва за цели, за които не е предвиден, този електроуред може да доведе до опасност и наранявания.

**в) Не използвайте допълнителни приспособления, които не се препоръчват от производителя специално за този електроинструмент.** Фактът, че можете да закрепите към

машината опеделено приспособление или паботен инструмент, не гарантира безопасна пабота с него.

**д) Допустимата честота на въртене на използвания се инструмент трябва да бъде поне толкова висока, колкото и посочената на уреда честота на въртене.**

Акcesoарите, които се въртят по-бързо от допустимото, могат да се счупят и да се разкъват.

**е) Външният диаметър и дебелината на работния инструмент трябва да отговарят на посочените размери на Вашия електроинструмент.** Работни инструментите с неподходящи размери не могат да бъдат покрити достатъчно или да бъдат контролирани.

**ф) Резбата на компонентите трябва да съответства на резбата на вретеното.** При компоненти, които са монтирани на фланци, отворът за затегателния дорник в компонента трябва да съпада с диаметъра за закрепване на фланеца. Компонентите, които не са подходящи за монтажния дорник на устройството, се движат ексцентрично, вибрират и могат да доведат до загуба на контрола върху инструмента.

**г) Не използвайте повредени работни инструменти.** Преди всяка употреба проверявайте работните инструменти, напр. абразивните дискове за пукнатини или откътрени ръбчета, подложните дискове за пукнатини или силно износване, телените четки за недобре захванати или счупени телчета. Ако изтървете електроинструмента или работния инструмент, ги проверявайте внимателно за увреждания или използвайте нови неповредени работни инструменти. След като сте проверили внимателно и сте монтирали работния инструмент, оставете електроинструмента да работи на максимални обороти в прогължение на една минута; стойте и дръжте намиращи се наблизо лица в страни от равнината на въртене. Най-често повредени работни инструменти се счупат през този тестов период.

**h) Носете лични предпазни средства.** Според необходимостта използвайте цяла лицева маска, маска за очи или защитни очила. Ако е необходимо носете маска срещу прах, защита на слуха, предпазни ръкавици или специална престилка, която предпазва от малки частици от диска или от материала. Очите трябва да се защитени от чужди тела, които могат да отлитнат по различни причини. Противопрашната или дихателната маска трябва да могат да филтрират праха, който се образува при работа. Ако сте изложени дълго време на силен шум, това може да причини загуба на слуха Ви.

**и) Внимавайте останалите лица да са на безопасна разстояние от Вашата работна зона.** Всеки, който влиза в работната зона, трябва да носи лични предпазни средства. Отчупени парченца от обработаната част или от счупени работни инструменти могат да отлетят и да причинят наранявания дори и на лица извън непосредствената работна зона.

**ж) Дръжте уреда за изолираните ръкохватки, когато извършвате работи, при които режещият инструмент може да засегне скрити електроинсталационни кабели.** Контактът на режещия инструмент с тоководещ проводник може да предаде напрежението върху метални части на уреда и да доведе до токов удар.

**к) Никога не оставяйте електрическата машина, докато инструментът не е напълно спрял.** Въртящия се работен инструмент може да влезе в контакт с повърхността, върху



противен случай режещият диск може да заседне, да изскочи от обработваната част или да предизвика откат.

**е) Когато режете плоскости или по-големи детайли, ги опрете, за да избегнете риска от откат при закъмване на режещия диск.** Големите детайли могат да се огънат от собствената си тежест. Детайлът трябва да е подпрян на две места, а именно в близост до разреза и в края му.

**ф) Бъдете особено внимателни при „изрязване на джобове“ в налични стени или други, невидими зони.** При прерязване на газопроводи, водопроводи, електропроводи или други обекти, режещият диск може да причини откат.

#### **Специални указания за безопасна работа при шлифване с шкурка**

**а) Не използвайте твърде големи листове шкурка, спазвайте указанията на производителя за размерите на шкурката.** Лицтове шкурка, които се подават извън подложния диск, могат да предизвикат наранявания, както и да доведат до блокиране и на шкурката или да възникване на откат.

#### **Специални указания за безопасна работа при шлифване с телени четки**

**а) Обърнете внимание на това, че и при обикновена употреба телената четка губи частици от телта. Не претоварвайте отделните части на телта например чрез прекалено голямо налягане на притискане.**

Изхвърчащите частици от телта могат много лесно да попаднат в кожата например през тънки дрехи.

**б) Ако се препоръчва използването на предпазен кожух, предварително се уверявайте, че телената четка не допира до него.** Дисквите и чашковидните телени четки могат да увеличат диаметъра си в резултат на силата на притискане и центробежните сили.

#### **Допълнителни указания за работа и безопасност**

Винаги проверявайте бутона за заключване на шпиндела, преди да включите инструмента! След като сте използвали заключването на шпиндела, за да затегнете/разхлабите абразивния диск, е възможно бутонът да се заключи в заключена позиция. Това може да доведе до включване на инструмента или на защитата на батерията и съответно да доведе до прекъсване на захранването на инструмента. Изключете прекъсвача, извадете батерията, а след това внимателно разклатете диска, за да освободите бутона за заключване на шпиндела.

Забележка: Ако се е включила и защитата на батерията, просто извадете батерията от инструмента и после я поставете обратно — това ще нулира защитата.

При шлифване на метали възниква искрене. Обърнете внимание да не бъдат застрашени хора. Поради опасност от пожар наблизо (в обсега на искрите) не бива да се намират горими материали. Да не се използва прахоулавяне.

Пазете се от летящи искри и шлифовъчен прах.

Не бъркайте в зоната на опасност на работещата машина.

Стружки или отчупени парчета да не се отстраняват, докато машина работи.

Веднага изключете машината, ако се появят значителни вибрации или бъдат установени други нередности. Проверете машината за да установите причината.

При екстремални условия на експлоатация (напр. при гладко шлифване на метали с опорния диск и вулканфибърните

шлифовъчни дискове) може да се натрупа силно замърсяване във вътрешността на ъгловото шлифовъчно устройство.

Във вентилационните шлице не бива да попадат метални части поради опасност от късо съединение.

**ВНИМАНИЕ!** За да избегнете опасността от пожар, предизвикана от късо съединение, както и нараняванията и повредите на продукта, не потапяйте инструмента, сменяемата акумулаторна батерия или зарядното устройство да не попадат течности. Течностите, предизвикващи корозия или превеждащи електричество, като солена вода, определени химикали, избелващи вещества или продукти, съдържащи избелващи вещества, могат да предизвикат късо съединение.

Не отваряйте акумулатори и зарядни устройства и ги съхранявайте само в сухи помещения. Пазете ги от влага.

Акумулатори от системата GBS да се зареждат само със зарядни устройства от системата GBS laden. Да не се зареждат акумулатори от други системи.

#### **ОСТАТЪЧНИ РИСКОВЕ**

Пълното елиминиране на някои остатъчни рискове е невъзможно — дори когато ъглошлайфът се ползва по предназначение. Възможно е да възникнат следните опасности, като операторът следва да бъде особено внимателен, за да ги избягва:

##### **Наранявания, причинени от изхвърчащи частици.**

В очите могат да попаднат метални или абразивни частици, които да причинят тежки и необратими увреждания. Когато използвате инструмента, носете защитни очила, предназначени за шлифовъчни дейности.

##### **Наранявания, причинени от вибрации.**

Ограничете излагането. Вж. раздела ПРЕДУПРЕЖДЕНИЕ за вибрации!

##### **Наранявания, причинени от прах.**

Носете подходяща маска за прах с филтри за защита от частиците, изхвърчащи от обработвания материал, и от абразивните частици на самия шлифовъчен диск.

Не яжте, не пийте и не пушете на работното място. Осигурете подходящо проветряване на работното място.

##### **Наранявания, причинени от досег до шлифовъчния диск.**

По време на работа дискът и работният детайл се нагорещават. Носете ръкавици, когато сменяте дисквете или докосвате работния детайл. Дръжте ръцете си далече от шлифовъчната зона през цялото време.

Когато е възможно, пристягайте работния детайл с менгеме.

##### **Наранявания, причинени от шум.**

Продължителното излагане на шум увеличава риска от увреждане на слуха, като въздействието се натрупва. Когато използвате електрически инструмент за продължителен период от време, носете средство за защита на слуха.

Продължителното използване на инструмента може да причини увреждания или да ги усложни. Когато използвате какъвто и да било инструмент за по-дълги периоди, винаги правете редовни почивки.

#### **ИЗПОЛЗВАНЕ ПО ПРЕДНАЗНАЧЕНИЕ**

Ъглошлайфът е предназначен за шлифване и рязане на метал, камък, бетон и керамични материали, както и за шкурене и обработване с телена четка.



**БЪЛ**

При рязане използвайте защитния капак от комплекта аксесоари.

В случай на съмнение обърнете внимание на указанията на производителя на аксесоари.

Машината е подходяща само за употреба без вода.

На ъглошлайфа могат да бъдат поставяни само подходящи шлифовъчни или режещи дискове и съответните им предпазители (за шлифване или рязане), както са посочени в раздела за техническите характеристики на уреда.

Ъглошлайфът е предназначен за държане в ръка — той не може да се монтира върху фиксиращо приспособление или работна маса.

Не използвайте уреда по различен от описаните в предназначението начини.

#### УКАЗАНИЯ ЗА РАБОТА

При абразивни материали, които трябва да бъдат снабдени с диск с резба, трябва да се гарантира, че резбата в диска е достатъчно дълга за шпиндела.

Режещите и шлифовачите дискове винаги да се използват и съхраняват съобразно инструкциите на производителя.

При грубо шлифване и рязане да се работи винаги със защитен шлем.

Извитите дискове за шлайфане трябва да бъдат монтирани така, че повърхността им за шлайфане да не излиза извън равнината на ръба на предпазния капак.

Преди пускане на машината фланцовата гайка трябва да бъде затегната.

Винаги да се използва допълнителната ръкохватка.

Обработваният детайл трябва да бъде фиксиран здраво, ако не е достатъчно тежък, за да стои стабилно от собственото си тегло. Никога не водете детайла с ръка срещу диска.

#### АКУМУЛАТОРИ

Температура над 50°C намалява мощността на акумулатора. Да се избягва по-продължително нагряване на слънце или от отопление.

Поддържайте чисти присъединителните контакти на зарядното устройство и на акумулатора.

За оптимална продължителност на живот след употреба батериите трябва да се заредят напълно. Акумулатори, които не са ползвани по-дълго време, преди употреба да се дозаредят.

За възможно по-дълга продължителност на живот батериите трябва да се изваждат от уреда след зареждане.

При съхранение на батериите за повече от 30 дни; съхранявайте батерията при прибл. 27°C и на сухо място., Съхранявайте батерията при 30 до 50 % от заряда., Зареждайте батерията на всеки 6 месеца.

Не изхвърляйте изхабените акумулатори в огъня или в при битовите отпадъци. AEG предлага екологосъобразно събиране на старите акумулатори; моля попитайте Вашия специализиран търговец.

Не съхранявайте акумулаторите заедно с метални предмети (опасност от късо съединение).

#### ЗАЩИТА ОТ ПРЕТОВАРВАНЕ НА БАТЕРИЯТА

Електроинструментът спира за 2 секунди и се изключва автоматично при претоварване на батерията чрез много

висока консумация на енергия, причинена например от изключително висок въртящ момент, заклиняване на работния инструмент, внезапно спиране или късо съединение. За да нулирате защитата, извадете батерията от инструмента и после я поставете обратно.

При екстремни натоварвания батерията се нагрява значително. В този случай всички светлини на индикатора за зареждане мигат дотогава, докато батерията се охлади. След изгасване на индикатора за зареждане можете да продължите работата с уреда. Тогава акумулаторът да се включи към зарядното устройство, за да се дозареди и активира.

#### ПРЕВОЗ НА ЛИТИЕВО-ЙОННИ БАТЕРИИ

Литиево-йонните батерии са предмет на законите за разпореждане за превоз на опасни товари.

Превозът на тези батерии трябва да се извършва в съответствие с местните, националните и международните разпоредби и регламенти.

Потребителите могат да превозват тези батерии по пътя без допълнителни изисквания.

Превозът на литиево-йонни батерии от транспортни компании е предмет на законите за разпореждане за превоз на опасни товари. Подготовка на превоза и самият превоз трябва да се извършват само от обучени лица. Целият процес трябва да е под професионален надзор.

Спазвайте следните изисквания при превоз на батерии:

Уверете се, че контактите са защитени и изолирани, за да се избегне късо съединение. Уверете се, че няма опасност от разместване на батерията в опаковката. Не превозвайте повредени батерии или такива с течове. Обърнете се към Вашата транспортна компания за допълнителни инструкции.

#### ЗАЩИТА ОТ ПОВТОРНО ПУСКАНЕ

Нулевият прекъсвач предотвратява повторно пускане на машината в движение след прекъсване на тока (смяна на батерия).

За продължаване на работата първо изключете машината и след това отново я включете.

#### ПЛАВНИЯТ СТАРТ

Плавният старт, осигурен от електрониката за сигурно манипулиране с машината, предотвратява при включване появата на тласъци при задействането на машината.

#### ПОДДРЪЖКА

Преди започване на каквито и да е работи по машината извадете акумулатора.

Вентилационните шлицы на машината да се поддържат винаги чисти.

Да се използва само аксесоари на AEG и резервни части на. Елементи, чията подмяна не е описана, да се дадат за подмяна в сервис на AEG (вижте брошурата „Гаранция и адреси на сервиси).

При необходимост можете да поискате за уреда от Вашия сервис или директно от Techtronic Industries GmbH, Max-Eyth-SträÙe 10, 71364 Winnenden, Germany, чертеж за в случай на експлозия, като посочите типа на машината и номер върху заводската табелка.



**БЪЛ**

## СЕ - ДЕКЛАРАЦИЯ ЗА СЪОТВЕТСТВИЕ

Ние декларираме, изцяло на наша отговорност, че продуктът, описан в „Технически данни“, съответства на всички необходими изисквания на директивите 2011/65/EC (RoHS) 2006/42/EO 2014/30/EC и че са използвани следните хармонизирани стандарти EN 60745-1:2009 + A11:2010 EN 60745-2-3:2011 + A2:2013 + A11:2014 + A12:2014 + A13:2015 EN 55014-1:2017 EN 55014-2:2015 EN 50581:2012



Winnenden, 2018-08-16



Alexander Krug / Managing Director  
Упълномощен за съставяне на техническата документация  
Techtronic Industries GmbH  
Max-Eyth-Straße 10, 71364 Winnenden, Germany

## СИМВОЛИ



**ВНИМАНИЕ! ПРЕДУПРЕЖДЕНИЕ! ОПАСНОСТ**



Преди пускане на уреда в действие моля прочетете внимателно инструкцията за използване.



При работа с машината винаги носете предпазни очила.



Да се носят предпазни ръкавици!



Преди започване на каквито е да работи по машината извадете акумулатора.



Противовибрационна система



Не използвайте сила.



Само за рязане.



Само за шлифване.



Не натискайте бутона за заключване на шпиндела по време на включване или след изключване, докато дискът се върти по инерция.



Акcesoари - Не се съдържат в обема на доставката, препоръчвано допълнение от програмата за акcesoари.



Резервна част — не е включена в стандартното оборудване, а се предлага като резервна част.



Електрическите уреди, батерии/акумулаторни батерии не трябва да се изхвърлят заедно с битовите отпадъци. Електрическите уреди и акумулаторни батерии трябва да се събират отделно и да се предават на службите за рециклиране на отпадъците според изискванията за опазване на околната среда. Информирайте се при местните служби или при местните специализирани търговци относно местата за събиране и центровете за рециклиране на отпадъци.



Постоянен ток



Напрежение



Номинална скорост на въртене



Европейски знак за съответствие

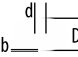
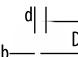
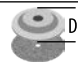



Украински знак за съответствие



Евро-азиатски знак за съответствие



DATE TEHNICE Polizor unghiular cu acumulator	BEWS18-115BL	BEWS18-125BL
Număr producție	4693 80 01 ... 4690 25 01 ... ... 000001-999999	4693 85 01 ... 4690 40 01 ... ... 000001-999999
Tensiune acumulator	18 V	18 V
Turație nominală	11000 min <sup>-1</sup>	11000 min <sup>-1</sup>
D= Diametru disc de rectificare max. d= ø alezajului	115 mm 22,2 mm	125 mm 22,2 mm
 b= Grosimea discului de tăiere min. / max.	1/3 mm	1/3 mm
 b= Grosimea discului de șlefuit max.	6 mm	6 mm
 D= ø suprafețe de polizare max.	115 mm	125 mm
 D= ø perii tip cupă max.	75 mm	75 mm
Filetul axului de lucru	M 14	M 14
Greutatea conform „EPTA procedure 01/2014” (Li-Ion 1,5 Ah...9,0 Ah)	2,4 kg ... 3,1 kg	2,4 kg ... 3,1 kg
Temperatură ambientală recomandată pentru funcționare	-18°C ... +50°C	-18°C ... +50°C
Seturi de baterii recomandate	L18...	L18...
Încărcător de baterii recomandat	AL1218... / BL 1218...	AL1218... / BL 1218...
<b>Informație privind zgomotul</b>		
Valori măsurate determinate conform EN 60745. Nivelul de zgomot evaluat cu A al aparatului este tipic de:		
Nivelul presiunii sonore (Nesiguranță K=3dB(A))	83dB(A)	83dB(A)
Nivelul sunetului (Nesiguranță K=3dB(A))	84dB(A)	84dB(A)
<b>Purtați căști de protecție</b>		
<b>Informații privind vibrațiile</b>		
Valorile totale de oscilație (suma vectorială pe trei direcții determinate conform normei EN 60745).		
Șlefuirea suprafețelor (Li-Ion 1,5 Ah): Valoarea emisiei de oscilații a <sub>h,AG</sub>	9,4m/s <sup>2</sup>	9,4m/s <sup>2</sup>
Nesiguranță K=	1,5 m/s <sup>2</sup>	1,5 m/s <sup>2</sup>
Șlefuirea cu foaie de șlefuit (Li-Ion 1,5 Ah): Valoarea emisiei de oscilații a <sub>h,DS</sub>	5,7m/s <sup>2</sup>	5,7m/s <sup>2</sup>
Nesiguranță K=	1,5 m/s <sup>2</sup>	1,5 m/s <sup>2</sup>

La alte utilizări, ca de ex. retezatul cu mașina de șlefuit sau șlefuitul cu peria de sârmă de oțel, valorile vibrațiilor pot fi diferite!

### AVERTISMENT de vibrații!

Gradul de oscilație indicat în prezentele instrucțiuni a fost măsurat în conformitate cu o procedură de măsurare normată prin norma EN 60745 și poate fi folosit pentru a compara uneltele electrice între ele. El se pretează și pentru o evaluare provizorie a solicitării la oscilații. Gradul de oscilație indicat reprezintă aplicațiile principale ale uneltelor electrice. În cazul în care însă uneltele electrice au fost folosite pentru alte aplicații, ori au fost folosite uneltele de muncă diferite ori acestea nu au fost supuse unei suficiente inspecții de întreținere, gradul de oscilație poate fi diferit.

Acest fapt poate duce la o creștere netă a solicitărilor la oscilații dealungul întregii perioade de lucru. În scopul unei evaluări exacte a solicitării la oscilații, urmează să fie luate în considerație și perioadele de timp în care aparatul a fost oprit ori funcționează dar, în realitate, el nu este folosit în mod practic. Acest fapt poate duce la o reducere netă a solicitărilor la oscilații dealungul întregii perioade de lucru.

Stabilități măsuri de siguranță suplimentare în scopul protecției utilizatorului de efectele oscilațiilor, de exemplu: inspecție de întreținere a uneltelor electrice și a celor de muncă, păstrarea caldă a mâinilor, organizarea proceselor de muncă.



Ro

## **⚠️ AVERTISMENT!**

**Citiți toate avizele de siguranță și indicațiile.** Nerespectarea indicațiilor de avertizare și a instrucțiunilor poate provoca electrocutare, incendii și/sau răni grave.

**Păstrați toate indicațiile de avertizare și instrucțiunile în vederea utilizărilor viitoare.**



### Descrierea dispozitivului

- |   |                                  |
|---|----------------------------------|
| ① Sistem de blocare a axului  | ⑥ Manetă de blocare cu protecție |
| ② Mâner suplimentar / AVS<br>Mâner suplimentar<br>Suprafață de prindere izolată | ⑦ Accesoriu                      |
| ③ Mâner Suprafață de prindere izolată   | ⑧ Flanșă                         |
| ④ Comutator pornire/oprire  | ⑨ Flanșă / Piuliță FIXTEC        |
| ⑤ Protecție de rectificare  | ⑩ Acumulator                     |
|   | ⑪ Protecție contra prafului      |
|   | ⑫ Protecție de debitare          |

## **⚠️ INSTRUCȚIUNI DE SIGURANȚĂ PENTRU POLIZORUL UNGHIULAR**

**Avertismente comune pentru șlefuire, șlefuire cu hârtie abrazivă, lucrul cu perile de sârmă, lustruire și tăiere:**

**a) Această sculă electrică se va folosi ca polizor, perie de sârmă și mașină specială de retezat cu disc abraziv. Respectați toate avertismentele, instrucțiunile, reprezentările și datele primite împreună cu scula electrică.** În cazul în care nu veți respecta următoarele instrucțiuni, se poate ajunge la electrocutare, incendii și/sau răni grave.

**b) Această sculă electrică nu este adecvată pentru lustruire.** Utilizarea sculei electrice la operații pentru care nu este concepută poate cauza pericole și accidentări.

**c) Nu folosiți dispozitive de lucru care nu sunt prevăzute și recomandate în mod special de către producător pentru această sculă electrică.** Faptul în sine că dispozitivul respectiv poate fi montat pe scula dumneavoastră electrică nu garantează în niciun caz utilizarea lui sigură.

**d) Numărul de rotații admis pentru elementele de montat în aparat, trebuie să fie la fel de mare ca numărul de rotații înscris pe acesta.** O rotație mai rapidă decât cea admisă le poate sparge sau azvîrli din aparat.

**e) Diametrul exterior și grosimea dispozitivului de lucru trebuie să corespundă datelor dimensionale ale sculei dumneavoastră electrice.** Dispozitivele de lucru greșit dimensionate nu pot fi protejate sau controlate în suficientă măsură.

**f) Filetul accesoriilor trebuie să corespundă cu filetul axului mașinii de șlefuit. La accesoriile care se prind cu flanșă, trebuie să se potrivească gaura pentru domul de prindere din accesoriu cu diametrul flanșei de localizare.** Accesoriile care nu se potrivesc pe domul de montaj al mașinii se rotesc excentric, vibrează exagerat de mult și pot să ducă la pierderea controlului asupra sculei.

**g) Nu folosiți dispozitive de lucru deteriorate.** Înainte de fiecare utilizare controlați dacă dispozitivele de lucru ca discurile de șlefuit nu sunt sparte și fisurate, dacă discurile abrazive nu sunt fisurate, uzate sau foarte tocite, dacă perile de sârmă nu prezintă fire desprinse sau rupte. Dacă scula electrică sau dispozitivul de lucru cade pe jos, verificați dacă nu s-a deteriorat sau folosiți un dispozitiv de lucru nedeteriorat. După ce ați controlat și montat dispozitivul de lucru, țineți persoanele aflate în preajmă în afara planului de rotație al dispozitivului de lucru și lăsați scula electrică să funcționeze un minut la turația nominală. De cele mai multe ori, dispozitivele de lucru deteriorate se rup în această perioadă de probă.

**h) Purtați echipament personal de protecție. În funcție de utilizare, purtați o protecție completă a feței, protecție pentru ochi sau ochelari de protecție. Dacă este cazul, purtați mască de protecție împotriva prafului, protecție auditivă, mănuși de protecție sau șorț special care să vă ferească de micile așchii și particule de material.** Ochii trebuie protejați de corpurile străine aflate în zbor, apărute în cursul diferitelor aplicații. Maska de protecție împotriva prafului sau masca de protecție a respirației trebuie să filtreze praful degajat în timpul utilizării. Dacă sunteți expuși timp îndelungat zgomotului puternic, vă puteți pierde auzul.

**i) Aveți grijă ca celelalte persoane să păstreze o distanță sigură față de sectorul dumneavoastră de lucru. Oricum pătrunde în sectorul de lucru trebuie să poarte echipament personal de protecție.** Fragmente din piesa de lucru sau din dispozitivele rupte pot zbura necontrolat și provoca răni chiar în afara sectorului direct de lucru.

**j) Țineți aparatul de mânerle izolate când executați lucrări la care scula tăietoare poate nimeri peste conductori electrici ascunși.** Intrarea în contact a sculei tăietoare cu o linie electrică prin care circulă curent poate pune sub tensiune și componente metalice ale aparatului și să ducă la electrocutare.

**k) Nu lăsați niciodată aparatul din mână, atât timp cât accesoriul de lucru nu s-a oprit complet.** Dispozitivul de lucru care se rotește poate ajunge în contact cu suprafața de sprijin, fapt care vă poate face să pierdeți controlul asupra sculei electrice.

**l) Nu lăsați scula electrică să funcționeze în timp ce o transportați.** În urma unui contact accidental cu dispozitivul de lucru care se rotește, acesta vă poate prinde îmbrăcămintea și chiar pătrunde în corpul dumneavoastră.

**m) Curățați regulat fantele de aerisire ale sculei dumneavoastră electrice.** Ventilatorul motorului atrage praf în carcasă iar acumularea puternică de pulberi metalice poate provoca pericole electrice.

**n) Nu folosiți scula electrică în apropierea materialelor inflamabile.** Scântele pot duce la aprinderea acestor materiale.

**o) Nu folosiți dispozitive de lucru care necesită agenți de răcire lichizi.** Folosirea apei sau a altor agenți de răcire lichizi poate duce la electrocutare.

## Recul și avertismente corespunzătoare

Recul este reacția bruscă apărută la agățarea sau blocarea unui dispozitiv de lucru care se rotește, cum ar fi un disc de șlefuit, un disc abraziv, o perie de sârmă, etc. Agățarea sau blocarea duce la oprirea bruscă a dispozitivului de lucru care se rotește. Aceasta face, ca scula electrică necontrolată să fie accelerată în punctul de blocare, în sens contrar direcției de rotație a dispozitivului de lucru.

Dacă, de exemplu, un disc de șlefuit se agăță sau se blochează în piesa de lucru, marginea discului de șlefuit care penetrează direct piesa de lucru se poate agăța în aceasta și duce astfel la smulgerea discului de șlefuit sau poate provoca recul. Discul de șlefuit se va deplasa către operator sau în sens opus acestuia, în funcție de direcția de rotație a discului în punctul de blocare. În această situație discurile de șlefuit se pot chiar rupe.

Un recul este consecința utilizării greșite sau defectuoase a sculei electrice. El poate fi împiedicat prin măsuri preventive adecvate, precum cele descrise în continuare.

**a) Țineți bine scula electrică și aduceți-vă corpul și brațele într-o poziție în care să puteți controla forțele de recul. Folosiți întotdeauna un mâner suplimentar, în caz că acesta există, pentru a avea un control maxim asupra forțelor de recul sau a momentelor de reacție la turații înalte.** Operatorul poate stăpâni forțele de recul și de reacție prin măsuri preventive adecvate.

**b) Nu apropiați niciodată mâna de dispozitivele de lucru aflate în mișcare de rotație.** În caz de recul dispozitivul de lucru se poate deplasa peste mâna dumneavoastră.

**c) Evitați să staționați cu corpul în zona de mișcare a sculei electrice în caz de recul.** Reculul proiectează scula electrică într-o direcție opusă mișcării discului de șlefuit din punctul de blocare.

**d) Lucrați extrem de atent în zona colțurilor, muchiilor ascuțite, etc. Împiedicați ricoșarea dispozitivului de lucru de pe piesa de lucru și blocarea acestuia.** Dispozitivul de lucru aflat în mișcare de rotație are tendința să se blocheze în colțuri, pe muchii ascuțite sau când ricoșează în urma izbirii. Aceasta duce la pierderea controlului sau la recul.

**e) Nu utilizați discuri cu lanț sau discuri dințate.** Asemenea accesoriilor de lucru provoacă des recul sau pierderea controlului asupra aparatului.

## Avertismente speciale privind șlefuirea și tăierea

**a) Folosiți numai corpuri abrazive admise pentru scula dumneavoastră electrică și o apărătoare de protecție prevăzută pentru aceste corpuri abrazive.** Corpurile abrazive care nu sunt prevăzute pentru această scula electrică nu pot fi acoperite și protejate suficient, fiind nesigure.

**b) Discurile de șlefuit cu centrul depresat trebuie montate astfel încât suprafața abrazivă să nu treacă peste marginea planului carcasei de protecție.** Dacă discul este montat incorect și depășește planul carcasei de protecție, el nu poate fi protejat în mod corespunzător.

**c) Folosiți întotdeauna apărătoarea de protecție prevăzută pentru corpul abraziv întrebuințat.** Apărătoarea de protecție trebuie fixată sigur pe scula electrică și astfel ajustată încât să atingă un grad maxim de siguranță în exploatare, adică numai o porțiune extrem de mică a corpului abraziv să rămână descoperită în partea dinspre operator. Apărătoarea de protecție trebuie să protejeze operatorul de fragmentele desprinse prin șlefuire și de atingerea accidentală a corpului abraziv.

**d) Corpurile abrazive trebuie folosite numai pentru posibilitățile de utilizare recomandate. De exemplu: nu**

**șlefuiți cu partea laterală a unui disc de tăiere.** Discurile de tăiere sunt destinate îndepărtării de material cu marginea discului. Exercițiul unei forțe laterale asupra acestui corp abraziv poate duce la ruperea sa.

**e) Folosiți întotdeauna flanșe de prindere nedeteriorate având dimensiuni și forme corespunzătoare discului de șlefuit ales de dumneavoastră.** Flanșele adecvate sprijină discul de șlefuit diminuând astfel pericolul rușii acestuia. Flanșele pentru discuri de tăiere pot fi diferite față de flanșele pentru alte discuri de șlefuit.

**f) Nu întrebuințați discuri de șlefuit uzate provenind de la scule electrice mai mari.** Discurile de șlefuit pentru sculele electrice mai mari nu sunt concepute pentru turațiile mai ridicate ale sculelor electrice mai mici și se pot rupe.

## Alte avertismente speciale privind tăierea

**a) Evitați blocarea discului de tăiere sau o apăsare prea puternică. Nu executați tăieri exagerat de adânci.** O supraîncărcare a discului de tăiere mărește solicitarea acestuia și tendința sa de a devia, de a se răscui în piesa de lucru sau de a se bloca, apărând astfel posibilitatea unui recul sau a rușii corpului abraziv.

**b) Evitați zona din fața și din spatele discului de tăiere care se rotește.** Dacă deplasați discul de tăiere în piesa de lucru în direcție opusă dumneavoastră, în caz de recul, scula electrică împreună cu discul care se rotește pot fi proiectate direct spre dumneavoastră.

**c) Dacă discul de tăiere se blochează sau dacă întrerupeți lucrul, deconectați scula electrică și nu o mișcați până când discul se oprește complet. Nu încercați niciodată să extrageți discul de tăiere din tăietură, altfel se poate produce un recul.** Stabilități și îndepărtați cauza blocării discului.

**d) Nu reporniți niciodată scula electrică cât timp aceasta se mai află încă în piesa de lucru. Lăsați discul de tăiere să atingă turația nominală și numai după aceea continuați să tăiați cu precauție.** În caz contrar discul se poate agăța, sări afară din piesa de lucru sau provoca recul.

**e) Sprijiniți plăcile sau piesele de lucru mari pentru a diminua riscul reculului cauzat de blocarea discului de tăiere.** Piese mari se pot înclina sub propria greutate. De aceea, piesa de lucru trebuie sprijinită pe ambele părți, atât în apropierea liniei de tăiere cât și pe margine.

**f) Fiți foarte atenți la efectuarea unor "tăieturii sub formă de buzunar" în pereții existenți sau în alte domenii greu de monitorizat cu vederea.** La penetrarea în sectorul vizat, discul de tăiere poate cauza recul dacă nimeresc în conducte de gaz sau de apă, conductori electrici sau alte obiecte.

## Avertismente speciale privind șlefuirea cu hârtie abrazivă:

**a) Nu întrebuințați foi abrazive supradimensionate și respectați indicațiile fabricantului privitoare la dimensiunile foilor abrazive.** Foile abrazive care depășesc marginile discului abraziv, pot cauza răniri precum și agățarea, ruperea foilor abrazive, sau pot duce la recul.

## Avertismente speciale privind lucrul cu periile de sârmă:

**a) Se va avea în vedere faptul că și în timpul unei utilizări normale din peria de sârmă cad bucăți de sârmă. Sârma nu va fi suprasolicitată prin intermediul unei presiuni de apăsare prea mari.** Bucăți de sârmă desprinse, existente în atmosferă pot intra cu ușurință prin îmbrăcămintea subțire și/sau prin piele.

**b) Dacă se recomandă o apărătoare de protecție, împiedicați contactul dintre apărătoarea de protecție și**



**peria de sârmă.** Discurile-perie și periile-oală își pot mări diametrul sub acțiunea presiunii de apăsare și a forțelor centrifuge.

### Instrucțiuni suplimentare de siguranță și de lucru

Verificați întotdeauna complet butonul de blocare a axului înainte de a porni dispozitivul! După utilizarea sistemului de blocare a axului pentru strângerea/slăbirea discului abraziv, este posibil ca butonul să rămână blocat în poziția de blocare. În acest timp se poate activa protecția dispozitivului sau a bateriei și se poate dezactiva alimentarea dispozitivului. Opriti comutatorul, scoateți cu atenție bateria, iar apoi roțiți cu grijă discul înainte și înapoi pentru a elibera butonul de blocare a axului.

Notă: Dacă s-a activat și protecția bateriei, pur și simplu scoateți blocul bateriei din dispozitiv și apoi introduceți-l la loc, pentru a reseta protecția.

Când se șlefuieste metal, se produc scântei zburătoare. Aveți grijă că nici o persoană să nu fie pusă în pericol. Datorită pericolului de incendiu, nici un material combustibil nu trebuie să fie amplasat în vecinătate (în zona de zbor a scânteiilor)

Evitați faptul ca scântelele zburătoare și praful de le șlefuit să atingă corpul.

Nu intrați niciodată în zona de pericol a plăcii când este în mișcare. Ramegușul și spanul nu trebuie îndepărtate în timpul funcționării mașinii.

Opriti imediat mașina în caz de vibrații puternice sau dacă apar alte defecțiuni. Verificați mașina pentru depistarea cauzei.

În condiții extreme de utilizare (de ex. lustruirea metalelor cu platanul de reazem și cu discurile de șlefuit din fibră vulcanizată), în interiorul polizorului unghiular poate apărea murdărie în cantitate mare.

Nu lăsați nici o piesă metalică să intre în fantele de aerisire - pericol de scurtcircuit.

**AVERTISMENT!** Pentru a reduce pericolul unui incendiu și evitarea rănirilor sau deteriorarea produsului în urma unui scurtcircuit nu imersați scula, acumulatorul de schimb sau încărcătorul în lichide și asigurați-vă să nu pătrundă lichide în aparate și acumulatori. Lichidele corosive sau cu conductibilitate, precum apa sărată, anumite substanțe chimice și înalbitori sau produse ce conțin înalbitori, pot provoca un scurtcircuit.

Nu deschideți niciodată acumulatorii și încărcătoarele și pastrați-le numai în încăperi uscate. Pastrați-le întotdeauna uscate.

Folosiți numai încărcătoare System GBS pentru încărcarea acumulatorilor System GBS. Nu folosiți acumulatori din alte sisteme.

### RISCURI REZIDUALE

Chiar și atunci când polizorul unghiular este folosit după cum s-a specificat mai sus, tot este imposibil să se elimine complet anumiți factori de risc rezidual. Următoarele pericole pot apărea și operatorul ar trebui să acorde o atenție deosebită pentru a evita următoarele:

#### **Vătămare cauzată de particulele proiectate în jur.**

Particulele de metal sau abrazive pot intra în ochi și pot cauza leziuni permanente.

Purtați ochelari aprobați pentru operațiunile de polizare atunci când utilizați produsul

#### **Vătămare cauzată de vibrații.**

Limita de expunere. A se vedea AVERTISMENTUL pentru vibrații!

#### **Vătămare cauzată de praf.**

Purtați o mască corespunzătoare pentru controlul contra pătrunderii prafului, cu filtre adecvate, pentru protecția contra

particulelor din materialul prelucrat și contra particulelor abrazive din discul de polizare.

Nu mâncați, nu beți și nu fumați în zona de lucru. Asigurați o ventilație corespunzătoare.

#### **Vătămare prin contactul cu discul de polizare.**

Discul și piesa de prelucrat se vor încinge în timpul utilizării.

Utilizați mănuși atunci când înlocuiți discul sau atingeți piesa de prelucrat. Mențineți în permanență mâinile la distanță față de zona de polizare.

Fixați piesa de prelucrat ori de câte ori este posibil acest lucru.

#### **Vătămare cauzată de zgomot.**

Expunerea prelungită la zgomot va crește riscul de acțiuni auditive, iar efectele sunt cumulative. Când utilizați dispozitive electrice pentru o perioadă mai lungă de timp, purtați echipament de protecție auditivă.

Utilizarea prelungită a unui dispozitiv poate cauza vătămări sau le poate agrava. Orice dispozitiv utilizați pe perioade îndelungate, asigurați-vă că faceți pauze periodice.

### CONDIȚII DE UTILIZARE SPECIFICATE

Polizorul unghiular este destinat polizării și tăierii metalului, pietrei, cimentului și materialelor ceramice, precum și sablării și perierii cu peri de sârmă.

Pentru tăiere, utilizați apărătoarea de tăiere din cadrul paletii de accesorii.

În caz de dubiu, țineți cont de indicațiile fabricanților de accesorii.

Mașina electrică este indicată doar pentru prelucrare uscată.

Pe polizor unghiular ar trebuie montate numai discuri de polizare sau de tăiere corespunzătoare și gărzile aferente adecvate (gardă de polizare sau gardă de tăiere), după cum este descris în secțiunea cu specificații a prezentului manual. Polizorul unghiular este destinat pentru utilizarea prin țineră în mână; nu este conceput pentru a fi montat pe un sistem de fixare sau pe un banc de lucru.

Nu utilizați produsul în niciun alt mod decât cel specificat în utilizarea prevăzută.

### INDICAȚII DE LUCRU

Pentru sculele care se intenționează a fi dotate cu roți cu orificiu filetat, asigurați-vă că filetul roții este destul de lung pentru a accepta lungimea axului.

Întotdeauna utilizați și păstrați discurile de șlefuire și de tăiere numai în conformitate cu instrucțiunile producătorului.

Întotdeauna utilizați apărătoarea de protecție când se degroșează și se separă.

Discurile de șlefuit cu centrul depresat trebuie montate astfel încât suprafața abrazivă să nu treacă peste marginea planului carcasei de protecție.

Piulița de reglare trebuie să fie stransă înainte de începerea lucrului cu această mașina.

Utilizați întotdeauna mânerul auxiliar.

Piesa de prelucrat trebuie fixată dacă nu este suficient de grea pentru a fi stabilă. Nu îndreptați niciodată piesa de prelucrat către discul polizorului cu mâna.

### ACUMULATORI

Temperatura mai mare de 50°C (122°F) reduce performanța acumulatorului. Evitați expunerea prelungită la căldură sau radiație solară (risc de supraîncălzire)



Contactele încărcătoarelor și acumulatorilor trebuie păstrate curate.

În scopul optimizării duratei de funcționare, bateriile trebuie reîncărcate complet după utilizare. Acumulatorii care nu au fost utilizați o perioadă de timp trebuie reîncărcați înainte de utilizare. Pentru o durată de viață cât mai lungă, acumulatorii ar trebui scoși din încărcător după încărcare.

La depozitarea acumulatorilor mai mult de 30 zile, Acumulatorii se depozitează la cca. 27°C și la loc uscat. Acumulatorii se depozitează la nivelul de încărcare de cca. 30%-50%. Acumulatorii se încarcă din nou la fiecare 6 luni.

Nu aruncați acumulatorii uzați la containerul de reziduri menajere și nu îi ardeți. AEG Distributors se oferă să recupereze acumulatorii vechi pentru protecția mediului înconjurător.

Nu depozitați acumulatorul împreună cu obiecte metalice (risc de scurtcircuit)

#### PROTECȚIE SUPRAÎNCĂRCARE ACUMULATOR

În caz de suprasarcină a acumulatorului prin consum foarte mare de curent, de ex. ca urmare a unor momente de rotație extreme, înțepenirea sculei inserate, stop bruscat sau scurtcircuit, scula electrică se oprește pentru 2 secunde și se deconectează de la sine. Pentru resetare, scoateți blocul bateriei din dispozitiv și apoi introduceți-l la loc.

În cazul unor sarcini extreme, acumulatorul se încinge prea tare. În acest caz toate lămpile indicației stării de încărcare pâlpâie până când acumulatorul s-a răcit. După ce indicația stării de încărcare s-a stins se poate lucra mai departe. Pentru a-l reîncărca și activa, puneți acumulatorul în în aparatul de încărcare.

#### TRANSPORTUL ACUMULATORILOR CU IONI DE LITIU

Acumulatorii cu ioni de litiu cad sub incidența prescripțiilor legale pentru transportul de mărfuri periculoase.

Transportul acestor acumulatori trebuie să se efectueze cu respectarea prescripțiilor și reglementărilor pe plan local, național și internațional.

Consumatorilor le este permis transportul rutier nerestricționat al acestui tip de acumulatori.

Transportul comercial al acumulatorilor cu ioni de litiu prin intermediul firmelor de expediție și transport este supus reglementărilor transportului de mărfuri periculoase. Pregătirile pentru expediție și transportul au voie să fie efectuate numai de către personal instruit corespunzător. Întreg proces trebuie asistat în mod competent.

Următoarele puncte trebuie avute în vedere la transportul acumulatorilor:

Pentru a se evita scurtcircuite, asigurați-vă de faptul că sunt protejate și izolate contactele. Aveți grijă ca pachetul de acumulatori să nu poată aluneca în altă poziție în interiorul ambalajului său. Este interzis transportarea unor acumulatori deteriorați sau care pierd lichid. Pentru indicații suplimentare adresați-vă firmei de expediție și transport cu care colaborați.

#### PROTECȚIE CONTRA REPORNIRI

Comutatorul de tensiune nulă împiedică repornirea mașinii după o întrerupere de curent (schimbare de baterii).

Când reluați munca cu mașina, decuplați mai întâi mașina și cuplați-o din nou.

#### MOALE DE PORNIRE

Pornirea electronică lină pentru economie previne funcționarea sacadată a mașinii.

#### INTREȚINERE

Îndepărtați acumulatorul înainte de începerea lucrului pe mașina. Fantele de aerisire ale mașinii trebuie să fie menținute libere tot timpul.

Utilizați numai accesorii și piese de schimb AEG. Dacă unele din componente care nu au fost descrise trebuie înlocuite, vă rugăm contactați unul din agenții de service AEG (vezi lista noastră pentru service / garanție)

Dacă este necesară, se poate comanda o imagine descompusă a sculei. Vă rugăm menționați numărul art. Precum și tipul mașinii tipărit pe etichetă și comandați desenul la agenții de service locali sau direct la Techtronic Industries GmbH, Max-Eyth-Straße 10, 71364 Winnenden, Germany.

#### DECLARAȚIE DE CONFORMITATE

Declarăm pe propria răspundere că produsul descris în capitolul „Date tehnice” îndeplinește toate cerințele relevante ale directivelor

2011/65/UE (RoHS)

2006/42/CE

2014/30/UE

și au fost utilizate următoarele standarde armonizate

EN 60745-1:2009 + A11:2010

EN 60745-2-3:2011 + A2:2013 + A11:2014 + A12:2014 + A13:2015

EN 55014-1:2017

EN 55014-2:2015

EN 50581:2012



Winnenden, 2018-08-16

Alexander Krug / Managing Director

Împuternicit să elaboreze documentația tehnică.

Techtronic Industries GmbH

Max-Eyth-Straße 10, 71364 Winnenden, Germany



## SIMBOLURI



PERICOL! AVERTIZARE! ATENȚIE!



Va rugăm citiți cu atenție instrucțiunile înainte de pornirea mașinii



Purtați întotdeauna ochelari de protecție când utilizați mașina.



Purtați mănuși de protecție!



Îndepărtați acumulatorul înainte de începerea lucrului pe mașina



SISTEM ANTIVIBRAȚII



A nu se aplica forța.



Doar pentru lucrări de tăiere.



Doar pentru lucrări de șlefuit.



Nu apăsați butonul de blocare a axului în timpul pornirii sau în timpul opririi.



Accesorii - Nu este inclus în echipamentul standard, disponibil ca accesoriu



Piesă de schimb - Nu este inclusă în echipamentul standard, însă este disponibilă ca piesă de schimb.



Aparatele electrice, bateriile/acumulatorii nu se elimină împreună cu deșeurile menajere. Aparatele electrice și acumulatorii se colectează separat și se predau la un centru de reciclare, în vederea eliminării ecologice. Informați-vă de la autoritățile locale sau de la comercianții acreditați în legătură cu centrele de reciclare și de colectare.



Curent continuu



Tensiune



Turație nominală



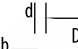
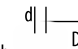
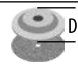

Marcă de conformitate europeană



Marcă de conformitate ucraineană



Marcă de conformitate eurasiatică

ТЕХНИЧКИ ПОДАТОЦИ Аголна брусилка на батерии	BEWS18-115BL	BEWS18-125BL
Производен број	4693 80 01 ... 4690 25 01 ... ... 000001-999999	4693 85 01 ... 4690 40 01 ... ... 000001-999999
Волтажа на батеријата	18 V	18 V
Номинална брзина	11000 min <sup>-1</sup>	11000 min <sup>-1</sup>
D= Дијаметар на дискот за глодање макс. d= бушење- $\varnothing$	115 mm 22,2 mm	125 mm 22,2 mm
 b= Дебелина на плочата за сечење мин. / макс.	1/3 mm	1/3 mm
 b= Дебелина на стружниот диск макс.	6 mm	6 mm
 D= Површини за стругање- $\varnothing$ макс.	115 mm	125 mm
 D= Лончести четки- $\varnothing$ макс.	75 mm	75 mm
Срце на работната оска	M 14	M 14
Тежина според ЕПТА-процедурата 01/2014 (Li-Ion 1,5 Ah...9,0 Ah)	2,4 kg ... 3,1 kg	2,4 kg ... 3,1 kg
Препорачана температура на околината за работа	-18°C ... +50°C	-18°C ... +50°C
Препорачани комплекти акумулаторски батерии	L18...	L18...
Препорачани полначи	AL1218... / BL 1218...	AL1218... / BL 1218...
<b>Информации за бучавата</b>		
Измерените вредности се одредени согласно стандардот EN 60745. A-оценетото ниво на бучава на апаратот типично изнесува:		
Ниво на звучен притисок. (Несигурност K=3dB(A))	83dB(A)	83dB(A)
Ниво на јачина на звук. (Несигурност K=3dB(A))	84dB(A)	84dB(A)
<b>Носте штитник за уши.</b>		
<b>Информации за вибрации</b>		
Вкупни вибрациски вредности (векторски збир на трите насоки) пресметани согласно EN 60745.		
Површинско брусеење (Li-Ion 1,5 Ah): Вибрациска емисиона вредност a <sub>h,AG</sub>	9,4m/s <sup>2</sup>	9,4m/s <sup>2</sup>
Несигурност K	1,5 m/s <sup>2</sup>	1,5 m/s <sup>2</sup>
Стружење со лист за стружење (Li-Ion 1,5 Ah): Вибрациска емисиона вредност a <sub>h,OS</sub>	5,7m/s <sup>2</sup>	5,7m/s <sup>2</sup>
Несигурност K	1,5 m/s <sup>2</sup>	1,5 m/s <sup>2</sup>

Кај други апликации, како на пример брусеење со делење или брусеење со четката со челична жица можат да се појават други вибрациски вредности!

### ПРЕДУПУДУВАЊЕ за вибрации!

Нивото на осцилација наведено во овие инструкции е измерено во согласност со мерните постапки нормирани во EN 60745 и може да биде употребено за меѓусебна споредба на електро-алати. Ова ниво може да се употреби и за привремена проценка на оптоварувањето на осцилацијата.

Наведеното ниво на осцилација ги репрезентира главните намени на електро-алатот. Но, доколку електро-алатот се употребува за други намени, со отстапувачки додатоци или со несоодветно одржување, нивото на осцилација може да отстапи. Тоа може значително да го зголеми оптоварувањето на осцилацијата за време на целиот работен период.

За прецизна проценка на оптоварувањето на осцилацијата предвид треба да бидат земен и времињата, во коишто апаратот е исклучен или работи, но фактички не се употребува. Тоа може значително да го намали оптоварувањето на осцилацијата за време на целиот работен период

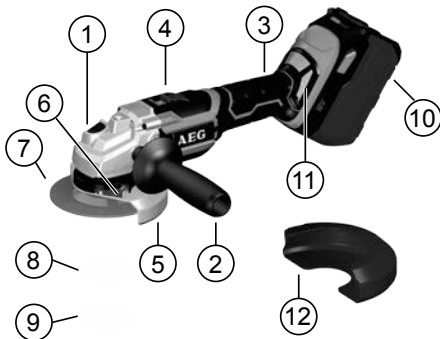
Утврдете дополнителни безбедносни мерки за заштита на операторот од влијанието на осцилациите, како на пример: одржување на електро-алатот и на додатоци кон електро-алатот, одржување топли раце, организација на работните процеси.



**Mak**

## **▲ ПРЕДУПРЕДУВАЊЕ!**

Прочитајте ги сите безбедносни упатства и инструкции. Заборавање на почитувањето на безбедносните упатства и инструкции можат да предизвикаат електричен удар, пожар и/или тешки повреди.  
**Сочувајте ги сите безбедносни упатства и инструкции за во иднина.**



### Опис на уредот

- |  |   |
|--|---|
| 1 Вретенасто заклучување   | 6 Лост за заклучување на штитник        |
| 2 Дополнителна рачка / AVS Дополнителна рачка<br>Изолирана површина на дршката | 7 Дополнителна опрема                   |
| 3 Рачка Изолирана површина на дршката  | 8 Прирабница                            |
| 4 Прекинувач за вклучување/исклучување   | 9 Жлеб на прирабницата / FIXTEC завртка |
| 5 Штитник за брусење   | 10 Батерија                             |
|  | 11 Заштита од прашина                   |
|  | 12 Штитник за сечење                    |

## **▲ БЕБЕДНОСНИ УПАТСТВА ЗА АГОЛНА СТРУГАЛКА**

**Заеднички безбедносни упатства за мазнење, мазнење со рапава хартија, работа со жичани четки, полирање и делење:**

- a) Овој електро-алат треба да се употребува како шлајферица, шлајферица со хартија за шмирглаче, четка со жица и машина за брусење со делење. Почитувајте ги сите безбедносни упатства, упатства за работа, прикази и податоци што ги добивате заедно со електричниот алат. Доколку не ги почитувате следните упатства, може да дојде до електричен удар, до пожар и/или до тешки повреди.**
- b) Овој електро-алат не е наменет за рапава хартија и за полирање. Сепакви употреби, за кои овој алат не е предвиден, можат да предизвикаат загрозување и повреди.**
- c) Не употребувајте прибор што не е предвиден и препорачан од производителот специјално за овој електро-алат. Доколку извесен прибор можете да го приклучите на вашиот електричен алат, тоа не претставува гаранција за сигурно употреба.**

**d) Бројот на вртежи на алатот, којшто се употребува, мора да биде нај-малку толку висок како и бројот на вртежите на вашиот електро-алат. Додатокот, којшто се врти побрзу, може да се скриша и да излезе.**

**e) Надворешниот дијаметар и дебелината на приборот мора да соодветствуваат со податоците за димензиите на вашиот електро-алат. Приборите со несоодветна димензија не можат да бидат соодветно заштитени или контролирани.**

**f) Навоите на деловите од приборот мора да се совпаѓаат со навојот на осовината за брусење. Кај деловите од приборот кои што се припојуваат, бушењето за трнот за натегнување во делот од приборот мора да се совпаѓа со пресекот на фланшот за локализирање. Делови од приборот кои што не пасуваат на монтажниот трн на апаратот, работат ексцентрично, избираат прекумерно силно и можат да доведат до загуба на контролата врз орудие.**

**g) Не употребувајте оштетен прибор. Пред секоја употреба извршете контрола, како на пример на дисконите за брусење по однос на расцепи и пукнатини, на подножјата за брусење по однос на пукнатини, изабаност или голема искористеност, на четките со жици по однос на лабави или скршени жици. Ако електро-алатот или приборот паднат, проверете, дали тие се оштетени или употребете нештетен прибор. Ако приборот сте го провериле и го употребувате, тогаш вие и лицата, кои се наоѓаат во близина, треба да бидете водомоен на ротирачкиот прибор и оставете го приборот да работи една минута со максимален број на вртежи. Оштетениот прибор најчесто се крши во овој тест-период.**

**h) Носете опрема за лична заштита. Зависно од употребата, користете целосна визуелна заштита, заштита за очите или заштитни очила. Доколку е потребно, носете маска за заштита од прашина, заштита за ушите, заштитни ракавици или специјална престилка, со која се заштитувате од ситни честички од шлајфубањето и од материјалот. Очите треба да бидат заштитени од страни тела што се разлетуваат наоколу, а кои настануваат при различни употреби. Заштита маска од прашина и за дишење мора да ја филтрираат прашина што се создава при работата. Доколку сте подолго време изложени на гласна бучава, тоа може да предизвика губење на слухот.**

**i) Кај лицата што стојат во близина внимавајте на тоа да се почитува безбедно растојание од вашиот делокруг на работа. Секој што ќе пристапи во делокругот на работа, мора да носи опрема за лична заштита. Можат да се разлетаат парчиња од работниот материјал или од скршен прибор и да предизвикаат повреди, исто така и надвор од директниот делокруг на работа.**

**j) Држете го електричниот алат за издадените површини при изведување на операции при кои алатот за сечење можат да дојдат во контакт со скриени жици. Контакт со жица под напон исто така ќе направи проводници од металните делови и оној кој ракува со алатот ќе доживее струен удар.**

**k) Никогаш не го оставајте електро-орудието ако орудие то за применување не е дојдено во потполно мирување. Електро-алатот што се врти може да дојде во контакт со површината, на којашто се остава, а на тој начин можете да ја изгубите контролата над електро-алатот.**

**l) Не оставајте го електро-алатот да работи додека го носите. Вашата облека може да биде закачена преку случаен**



контакт со приборот што се врти, при што тој може да навлезе во вашето тело.

**т) Редовно чистете го отворот за проветрување на вашиот електро-алат.** Вентилаторот на моторот влече прашина во куќишето, а големо насобирање на метална прашина може да предизвика електрични опасности.

**п) Не употребувајте го електро-алатот во близина на материјали што горат.** Таквите материјали можат да се запалат од искри.

**о) Не употребувајте прибор, за којшто се потребни течни средства за ладење.** Употребата на вода или на други течни средства за ладење може да доведе до електричен удар.

### Повратен удар и референтни безбедносни упатства

Повратниот удар претставува неочекувана реакција како последица на заглавен или блокиран прибор што се врти, како на диск за брусење, подножје за брусење, четка со жица итн. Заглавувањето или блокирањето доведува до неодољно стопирање на ротирачкиот прибор. На тој начин неконтролираниот електро-алат се забрзува во спротивна насока од насоката на вртење на приборот во точката на спојување.

Доколку, на пример, диск за брусење е заглавен или блокиран во материјалот, работ на дискот за брусење што навлегува во материјалот, може да се закачи и на тој начин да дојде до излегување на дискот или да се предизвика повратен удар. Во таков случај дискот за брусење се движи или кон операторот или настрана од него, зависно од насоката на вртење на дискот во точката на спојување. Притоа дисковите за брусење можат исто така и да се скршат.

Повратен удар претставува последица од погрешна или неисправна употреба на електро-алатот. Тој може да биде избегнат со соодветни мерки на претпазливост, како што се опишани подолу.

**а) Држете го електро-алатот цврсто и поставете ги вашето тело и вашите раце во позиција, со која ќе можете да дадете отпор на силите од повратниот удар.** Секогаш употребувајте ја додатната рачка, доколку постои, за да можете да имате максимална можна контрола над силите од повратниот удар или на моментите на реакција при пуштање во работа. Операторот може да ги контролира силите на повратниот удар и реакционите сили со преземање соодветни мерки на претпазливост.

**б) Никогаш не поставувајте ја вашата рака во близина на прибор што се врти.** Во случај на повратен удар, приборот може да биде исфрлен врз вашата рака.

**в) Избегнувајте го со вашето тело местото, во кое електро-алатот се движи во случај на повратен удар.** Повратниот удар го води електро-алатот во спротивна насока од насоката на движење на дискот за брусење на местото за спојување.

**д) Работете особено внимателно кај агли, остри рабови итн. Спречувајте ситуации, во кои приборот се одбива од и заглавува во материјалот за обработка.** Кај агли, остри рабови или во случај на одбивање ротирачкиот прибор е склон кон заглавување. Тоа предизвикува губење на контролата или повратен удар.

**е) Не употребувајте лист за пилење со ланци или запчаници.** Таквите орудија за примена честопати предизвикуваат повратен удар или губење на контролата врз електро-орудието.

### Специјални безбедносни упатства за шлајфување и шлајфување со делење

**а) Употребувајте ги исклучително алатите за брусење што се одобрени за вашиот електро-алат како и заштитната капа што е предвидена за таквите алати за брусење.** Алати за брусење, коишто не се предвидени за електро-алатот, не можат да бидат доволно заштитени и се несигурни.

**б) На косо сечени листови за струење мора да бидат монтирани на тој начин што нивната површина за струење нема да излегува надвор од нивото на работ на заштитната хауба.** Нестручно монтиран диск за струење кој што излегува надвор од нивото на работ на заштитната хауба не може да биде доволно заштитен.

**в) Заштитната капа мора да биде сигурно поставена на електро-алатот и да биде така нагодена, што ќе се постигне максимално ниво на безбедност, тоа значи најмал дел од алатот за брусење да е насочен кон операторот.** Заштитната капа треба да го штити операторот од парчиња и од случаен контакт со телото за брусење.

**д) Телата за брусење смеат да се употребуваат само за препорачаните можности за употреба. На пример: никогаш не брусење со страничната површина од диск за делење.** Дисквите за делење се наменети за отстранување на материјал со работ на дискот. Дејството на странична сила врз овие тела за брусење може да ги скрши истите.

**е) Секогаш употребувајте за дисквите за брусење што сте ги одбрале нешоштетени фланши за стегање, со исправна големина и форма.** Соодветните фланши го заштитуваат дискот за брусење и на тој начин ја намалуваат опасноста од кршење на дискот за брусење. Фланшите за дискови за делење можат да се разликуваат од фланшите за други дискови за брусење.

**ф) Не употребувајте искористени дискови за брусење од поголеми електро-алати.** Дисквите за брусење за поголеми електро-алати не се погодни за повисоките броеви на вртежи кај помалите електро-алати и можат да се скршат.

### Други специјални безбедносни упатства за брусење со делење:

**а) Избегнувајте заглавување на дискот за делење или премногу висок контакт притисок. Не изведувајте претерано длабоки засеци.** Преоптоварувањето на дискот за делење го зголемува неговиот напор и чувствителноста за извртување или блокирање, а со тоа и на можноста за повратен удар или за кршење на телото за брусење.

**б) Избегнувајте го доменот пред и зад ротирачки диск за делење.** Доколку дискот за делење го движите во материјалот за обработка на насока подалеку од себе, во случај на повратен удар електро-алатот со дискот што се врти, може да се насочи директно кон вас.

**в) Доколку дискот за делење се заглави или доколку прекинете со работа, исклучете го електро-алатот и држете го мирно сè додека дискот не постигне состојба на мирување. Никогаш не обидувајте се, да го извлечете дискот од засекогаш додека се врти, во спротивно може да дојде до повратен удар.** Констатирајте и отстранете ја причината за заглавувањето.

**д) Не вклучувајте го електро-алатот повторно, сè додека истиот се наоѓа во материјалот за обработка. Дозволете дискот да го достигне целиот број на вртежи, пред внимателно да го продолжите сечењето.** Во спротивно дискот може да заглави, да отскокне од материјалот за обработка или да предизвика повратен удар.



Mak

**е) Потпрете ги плочите или големите материјали за обработка, за да го намалите ризикот од повратен удар како резултат на заглавен диск за делење.** Големи материјали за обработка може да свијат како последица на својата тежина. Материјалот за обработка мора да биде поппран на двете страни и тоа како во близина на засекот за делење така и на работ.

**ф) Бидете посебно внимателни при „Дебни засеци, во постоечки сидови или други подрачја каде што се нема увид.“** Дискот што навлегува може да предизвика повратен удар при сечење во гасоводи или водоводи, понатаму во електрични водоводи или други објекти.

**Специјални безбедносни упатства за мазнење со хартија за шмирглање:**

**а) Не употребувајте прекудимензиониран листови за мазнење.** Следете ги податоците на производителот по однос на големината на листот за мазнење. Листови за шмирглање што зјаат надвор од подлогата за мазнење, можат да предизвикаат повреди како и блокирање, кинење на листовите или да доведат до повратен удар.

**Специјални безбедносни упатства во врска со работата со четките со жица:**

**а) Обратете внимание на тоа, дека челичната четка и за време на вообичаената употреба губи парчиња жица. Не ги реоптоварувајте жиците со премногу висок притисок на притиснување.** Парчиња жица кои што се разлетуваат, би можеле многу лесно да прдрат низ лесна облека и/или кожата.

**б) Доколку е препорачана заштитна капа, спречете да дојде до можност за допир помеѓу заштитната капа и четката со жица.** Кај четките со подножје и за четкање може да дојде до зголемување на нивниот дијаметар како резултат на притисокот при допир и на центрифугалните сили.

**Останати безбедносни и работни упатства**

Секогаш проверувајте дали копчето за вретенасто заклучување е целосно откочено пред да го вклучите алатот! По користење на вретенастото заклучување за зацврстување / олабавување на абразивниот диск, можно е копчето да се заглави во позицијата за заклучување. Истовремено, може да предизвика активирање на заштитата на алатот или батеријата и да го спречи доводот на електрична енергија до алатот. Исклучете го прекинувачот, извадете ја батеријата, а потоа внимателно занишајте го дискот назад и напред за да го ослободите копчето за вретенасто заклучување. Забелешка: Ако е активирана и заштитата на батеријата, едноставно извадете ја батеријата од алатот и заменете ја, при што ќе се ресетира заштитата.

При глодање на метал, се создаваат летечки искри. Погрижете се луѓето да не бидат загрозени. Поради ризик од пожар, запаливи матери не смеат да бидат лоцирани во близина (зона на искрење). Не користете издуб за прав.

Избегнувајте искри и прашина од брусењето да го погодат телото.

Никогаш не посегнувајте во зоната на опасната работна површина при вклучена машина.

Прашината и струготините не смеат да се одстрануваат додека е машината работи.

Во случај на значителни вибрации или појава на други неправилности веднаш исклучете ја машината со цел да ја најдете причината за нив.

При екстремни услови (пр: фино глодање метали со вретено или гладокот тркало со вулканизирани влакна), значително загадување може да се насобере однатре на аголната гладолака.

Не дозволувајте какви и да се метални делови да дојдат до отворите за вентилација-ризик од куршлу!

**ПРЕДУПРЕДУВАЊЕ!** За да избегнете опасноста од пожар, од наранувања или од оштетување на производот, кошто ги создава краток спој, не ја потопувајте во течност алатката, заменивата батерија или полначот и пазете во уредите и во батериите да не проникнуваат течности. Корозивни или електроспровидливи течности, како солена вода, одредени хемикалии, избелувачки препарати или производи кои содржат избелувачки супстанции, можат да предизвикаат краток спој.

Не ги отворајте насилно батериите и полначите, и чувајте ги само на суво место. Чувајте ги постојано суви.

Користете исклучиво Систем GBS за полнење на батери од GBS систем. Не користете батерии од друг систем.

## ОСТАТОЧНИ ОПАСНОСТИ

Дури и ако се користи аголна брусилка како што е пропишано, сè уште не е можно целосно да се елиминираат извесни преостанати фактори на ризик. Може да се појават следните ризици и операторот треба да обрне посебно внимание да го избегне следното:

**Повреда предизвикана од исфрлени честички.**

Во очите може да навлезат метални или абразивни честички и да предизвикаат сериозно трајно оштетување. Носете специјални очила за брусење секогаш кога го користите производот

**Повреда предизвикана од вибрации.**

Ограничете го изложувањето. Видете го ПРЕДУПРЕДУВАЊЕТО за вибрации!

**Повреда предизвикана од прав.**

Носете соодветна маска за контролирање на правта со филтри погодни за заштита од честички од материјалот на кој се работи и абразивни честички од дискот за брусење.

Немојте да јадете, да пиете или да пушите во работниот простор. Обезбедете соодветно проветрување.

**Повреда од контакт со дискот за брусење.**

Дискот и работниот дел ќе се вжештат при употребата. Носете ракавици кога ги менувате дискот или го допирате работниот дел. Дланките нека ви бидат постојано настрана од делот што го брусите.

Прикleshтете го работниот дел секогаш кога е возможно.

**Повреда предизвикана од бучава.**

Долготрајната изложеност на бучава ќе го зголеми ризикот од оштетување на слухот, а ефектите се кумулативни. Кога користите електрични алати подолг време, носете заштита за ушите.

Долготрајната употреба на алатот може да предизвика повреди или да ги влоши постојните. Ако користите некој алат подолго време, правете редовни паузи.

## СПЕЦИФИЦИРАНИ УСЛОВИ НА УПОТРЕБА

Аголната брусилка е наменета за брусење и сечење метални, камени, бетонски и керамички материјали, како и пескареење и чистење арматура со челична четка.



**Mak**

За сечење, користете го капачето за режење од палетата со прибор.

Во секој случај почитувајте ги упатствата на производителите на приборот.

Електричното орудие е прикладно само за сува обработка.

На аголната брусилка треба да се прицврстат само соодветни дискови за брусење или сечење и соодветни заштитници (заштитник за брусење или заштитник за сечење), според описот во делот со спецификации за производот од овој прирачник. Аголната брусилка е наменета само за рачно ракување; не треба да се монтира на дел од опремата или на работната маса.

Не користете го производот на друг начин освен на начините за кои е наменет.

### РАБОТНИ УПАТСТВА

За алатите кои се наменати за опремување со шилесто тркало према податоците на производителот.

Сечени и брусени плочи да се употребуваат и чуваат секогаш према податоците на производителот.

Во случај на груба обработка и пресекување секогаш се работи со заштитна капа.

На кос сечени листови за стружење мора да бидат монтирани на тој начин што нивната површина за стружење нема да излегува надвор од нивото на работ на заштитната хауба.

Шрафот за штелување мора да биде затегнат пред да се почне со работа со машината.

Секогаш користете ја помошната рачка.

Работни предмети кои што се обработуваат мора да бидат цврсто стегнати доколку не се држи со самата своја тежина. Работните предмети никогаш да не се водат рачно према плочата.

### БАТЕРИИ

Температура повисока од 50°C (122°F) го намалуваат траењето на батериите. Избегнувајте подолго изложување на батериите на високи температури или сонце (ризик од прегревање).

Клемите на полначот и батериите мора да бидат чисти.

За оптимален работен век батериите мора да се наполнат целосно по употреба. Батриите кои не биле користени подолго време треба да се наполнат пред употреба.

За можно подолг век на траење, апаратите после нивното полнење треба да бидат извадени од апаратот за полнење на батериите.

Во случај на складирање на батеријата подолго од 30 дена; Акумулаторот да се чува на температура од приближно 27°C и на суво место., Акумулаторот да се складира на приближно 30%-50% од состојбата на наполнетост., Акумулаторот повторно да се наполни на секои 6 месеци.

Не ги оставајте искористените батерии во домашниот отпад и не горете ги. Дистрибутерите на АЕГ ги собираат старите батерии, со што ја штитат нашата околина.

Не ги чувајте батериите заедно со метални предмети (ризик од краток спој).

### ЗАШТИТА ОД ПРЕОПТЕРЕТУВАЊЕ НА БАТЕРИЈАТА

Во случај на преоптоварување на батериите поради енормно висока потрошувачка на електрична енергија, на пр.

екстремно висок број на вртежни моменти, заглавување на оперативната алатка, неочекувано сопирање или краток спој, електричната алатка прекинува со работа и по 2 секунди автоматски се исклучува. За ресетирање, извадете го акумулаторот од алатот и заменете го.

Во случај на екстремни оптоварувања батеријата се загрева премногу. Во таков случај трепкаат сите ламбички од приказот за полнење се додека батеријата не се излади. По гасење на приказот за полнење може да се продолжи со работа. Тогаш ставете ја батеријата во уредот за полнење за повторно да ја напоните и активирате.

### ТРАНСПОРТ НА ЛИТИУМ-ЈОНСКИ БАТЕРИИ

Литиум-јонските батерии подлежат на законските одредби за транспорт на опасни материи.

Транспортот на овие батерии мора да се врши согласно локалните, националните и меѓународните прописи и одредби.

Потрошувачите на овие батерии може да вршат непречен патен транспорт на истите.

Комерцијалниот транспорт на литиум-јонски батерии од страна на шпедитерски претпријатија подлежат на одредбите за транспорт на опасни материи. Подготовките за шпедиција и транспорт треба да ги вршат исклучиво соодветно обучени лица. Целокупниот процес треба да биде стручно надгледуван.

При транспортот на батерии треба да се внимава на следното:

Осигурајте се дека контактите се заштитени и изолирани, а сето тоа со цел да се избегнат кратки споеви. Внимавајте да не дојде до измествување на батериите во нивната амбалажа. Забранет е транспорт на оштетени или протечени литиум-јонски батерии. За понатамошни инструкции обратете се до Вашето шпедитерско претпријатие.

### ЗАШТИТА ОД ПОВТОРНО ПРИДВИЖУВАЊЕ

Нулананонската исклопка го спречува повторното стартување на машината после прекин на струја (замена на батерии).

Во случај на повторно започнување со работа, исклучете ја машината и потоа вклучете ја повторно.

### МАЗЕН СТАРТ

Електронски контролиран мазен старт за безбедно користење кој штити од почетното нагло задвижување на машината.

### ОДРЖУВАЊЕ

Извадете го батерискиот склоп пред отпочнување на каков и да е зафат врз машината.

Вентилационските отвори на машината мора да бидат комплетно отворени постојано.

Користете само АЕГ додаточи и резервни делови. Доколку некои од компонентите кои не се опишани треба да бидат заменети, Ве молиме контактирајте ги сервисните агенти на АЕГ (консултирајте ја листата на адреси).

Доколку е потребно можно е да биде набавен детален приказ на алатот. Ве молиме наведете го бројот на артиклот како и типот на машина кој е отпечатан на етикетата и порачајте ја скицата кај локалниот застапник или директно кај: Techtronic Industries GmbH, Max-Eyth-Strasse 10, 71364 Winnenden, Germany.



## ЕУ-ДЕКЛАРАЦИЈА ЗА СООБРАЗНОСТ

Под целосна лична одговорност изјавуваме дека производот опишан во „Технички податоци“ е во сообразност со сите релевантни прописи од директивите 2011/65/EU (RoHS) 2006/42/EC 2014/30/EU и дека се применети следните хармонизирани стандарди EN 60745-1:2009 + A11:2010 EN 60745-2-3:2011 + A2:2013 + A11:2014 + A12:2014 + A13:2015 EN 55014-1:2017 EN 55014-2:2015 EN 50581:2012



Winnenden, 2018-08-16



Alexander Krug / Managing Director  
Ополномоштен за составување на техничката документација.  
Techtronic Industries GmbH  
Max-Eyth-Straße 10, 71364 Winnenden, Germany

## СИМБОЛИ



ВНИМАНИЕ! ПРЕДУПРЕДУВАЊЕ! ОПАСНОСТ!



Ве молиме пред да ја стартувате машината обрнете внимание на упатствата за употреба.



Секогаш при користење на машината носете ракавици.



Носете ракавици!



Извадете го батеријскиот склоп пред отпочнување на каков и да е зафат врз машината.



Антивибрационен систем



Не употребувајте сила.



Само за работи на сечење.



Само за работи на брусење.



Не притискајте го копчето за вретеноста заклучување при започнувањето со работа и при исклучување.



Дополнителна опрема - Не е вклучена во стандардната, а достапна е како додаток.



Резервен дел - Не е вклучен во стандардната опрема, достапен како резервен дел.



Електричните апарати и батериите што се полнат не смеат да се фрлат заедно со домашниот отпад. Електричните апарати и батериите треба да се собираат одделно и да се однесат во соодветниот погон заради нивно фрлање во склад со начелата за заштита на околината. Информирајте се кај Вашите местни служби или кај специјализираниот трговски претставник, каде има такви погони за рециклажа и собирни станици.



Истосмерна струја

V

Напон

n

Номинална брзина



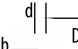
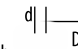
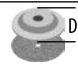
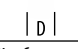
Европска ознака за сообразност



Украинска ознака за сообразност



Евроазиска ознака за сообразност

ТЕХНІЧНІ ХАРАКТЕРИСТИКИ	BEWS18-115BL	BEWS18-125BL
<b>Акумуляторна кутова шліфувальна машина</b>		
Номер виробу	4693 80 01 ... 4690 25 01 ... ... 000001-999999	4693 85 01 ... 4690 40 01 ... ... 000001-999999
Напруга знімної акумуляторної батареї	18 V	18 V
Номинальна кількість обертів	11000 min <sup>-1</sup>	11000 min <sup>-1</sup>
D= ø шліфувального диску макс. d= ø отвору  b= Товщина відрізного диску мін. / макс.  b= Товщина шліфувального диску макс.	115 mm 22,2 mm 1/3 mm 6 mm	125 mm 22,2 mm 1/3 mm 6 mm
 D= ø шліфувальної поверхні макс.	115 mm	125 mm
 D= ø чашкової щітки макс.	75 mm	75 mm
Різьба шпинделя	M 14	M 14
Вага згідно з процедурою ЕРТА 01/2014 (Li-Ion 1,5 Ah... 9,0 Ah)	2,4 kg ... 3,1 kg	2,4 kg ... 3,1 kg
Температура навколишнього середовища, рекомендована для експлуатації	-18°C ... +50°C	-18°C ... +50°C
Рекомендовані акумулятори	L18...	L18...
Рекомендовані зарядні пристрої	AL1218... / BL 1218...	AL1218... / BL 1218...
<b>Інформація про шум</b>		
Вимірні значення визначені згідно з EN 60745. Рівень шуму „A” приладу становить в типовому випадку:		
Рівень звукового тиску (похибка K = 3 дБ(A))	83дБ(A)	83дБ(A)
Рівень звукової потужності (похибка K = 3 дБ(A))	84дБ(A)	84дБ(A)
<b>Використовувати засоби захисту органів слуху!</b>		
<b>Інформація щодо вібрації</b>		
Сумарні значення вібрації (векторна сума трьох напрямків), встановлені згідно з EN 60745.		
Шліфування поверхні (Li-Ion 1,5 Ah): Значення вібрації a <sub>h,AG</sub> похибка K =	9,4m/s <sup>2</sup> 1,5 m/s <sup>2</sup>	9,4m/s <sup>2</sup> 1,5 m/s <sup>2</sup>
Шліфування дискон з абразивної шкірки (Li-Ion 1,5 Ah): Значення вібрації a <sub>h,DS</sub> похибка K =	5,7m/s <sup>2</sup> 1,5 m/s <sup>2</sup>	5,7m/s <sup>2</sup> 1,5 m/s <sup>2</sup>

Для інших робіт, наприклад, відрізного шліфування або шліфування щіткою із сталевого дроту, можуть мати місце інші значення вібрації!

### ПОПЕРЕЖДЕННЯ про вібрацію!

Рівень вібрації, вказаний в цій інструкції, вимірювався згідно з методом вимірювання, нормованим стандартом EN 60745, і може використовуватися для порівняння електроінструментів. Він призначений також для попередньої оцінки навантаження від вібрації.

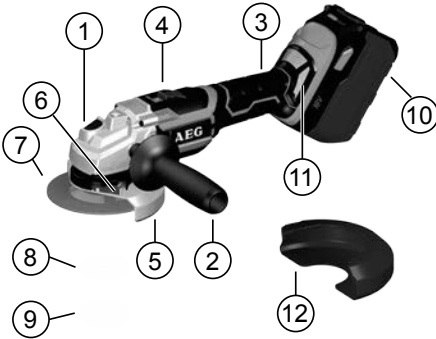
Вказаний рівень вібрації відповідає основним сферам використання електроінструменту. Але якщо електроінструмент використовується для іншої мети, з іншими вставними інструментами або при недостатньому технічному обслуговуванні, рівень вібрації може бути іншим. Це може значно підвищити навантаження від вібрації за весь період роботи. Для точної оцінки навантаження від вібрації необхідно також враховувати час, коли прилад вимкнений або увімкнений, але фактично не використовується. Це може значно зменшити навантаження від вібрації за весь період роботи. Визначте додаткові заходи безпеки для захисту оператора від дії вібрації, наприклад: Технічне обслуговування електроінструменту та вставних інструментів, зігрівання рук, організація робочих процесів.



УКР

## **⚠ ПОПЕРЕДЖЕННЯ!**

**Прочитайте всі вказівки з техніки безпеки та інструкції.** Упущення при дотриманні вказівок з техніки безпеки та інструкцій можуть призвести до ураження електричним струмом, пожежі та/або тяжких травм. **Зберігайте всі вказівки з техніки безпеки та інструкції на майбутнє.**



### **Опис пристрою**

- |   |  |                    |                                   |
|---|--|--------------------|-----------------------------------|
| 1 | Блокатор шпинделя  | захисного елемента |                                   |
| 2 | Додаткова рукоятка / AVS<br>Додаткова рукоятка<br>Ізольована поверхня<br>ручки | 7                  | Комплектуючі                      |
| 3 | Ручка Ізольована<br>поверхня ручки   | 8                  | Фланець                           |
| 4 | Перемикач вимк./увімк.   | 9                  | Гайка фланця / Гайка<br>FIXTEC    |
| 5 | Захисний елемент для<br>різання  | 10                 | Акумуляторна батарея              |
| 6 | Важіль блокування  | 11                 | Пилозахисний екран                |
|   |  | 12                 | Захисний елемент для<br>зачищення |

## **⚠ ВКАЗІВКИ З ТЕХНІКИ БЕЗПЕКИ ДЛЯ КУТОВИХ ШЛІФУВАЛЬНИХ МАШИН**

**Загальні вказівки з техніки безпеки для шліфування, шліфування з наждачним папером, робіт з дротяними щітками та відрізного шліфування:**

- a) Цей електроінструмент використовується як шліфувальна машина, шліфувальна машина з наждачним папером, дротяна щітка та відрізна шліфувальна машина. Звертайте увагу на всі вказівки з техніки безпеки, вказівки, зображення та дані, які ви отримуєте з приладом.** Недотримання наведених далі інструкцій може спричинити ураження електричним струмом, пожежу та/або тяжкі травми.
- b) Цей електроінструмент не призначений для полірування.** Використання для цілей, не передбачених для цього електроінструменту, може спричинити небезпеку та травми.
- c) Не використовуйте комплектуючі, які не передбачені або не рекомендовані виробником спеціально для цього електроінструменту.** Той факт, що комплектуючі

вдасться закріпити в електроінструменті, ще не гарантує їх безпечного використання.

**d) Допустима кількість обертів вставного інструменту має бути не меншою, ніж максимальна кількість обертів, вказана на електроінструменті.** Комплектуючі, що обертаються швидше, ніж дозволено, можуть зламатися і відлетіти.

**e) Зовнішній діаметр та товщина вставного інструмента повинні відповідати даним вашого електроінструмента.** Неправильний розмір вставних інструментів може бути причиною того, що вони недостатньо закриті захисними пристроями або їх важко контролювати.

**f) Вставні інструменти з нарізною вставкою повинні точно підходити до різби шліфувального шпинделя машини.** У вставних інструментах, що монтуються за допомогою фланців, діаметр отвору вставного інструмента має підходити до кріпильного фланця. Вставні інструменти, які не точно кріпляться на вставному інструменті, обертаються не рівномірно, сильно вібують і можуть привести до втрати контролю.

**g) Не використовувати пошкоджені вставні інструменти.** Перед кожним використанням перевіряйте вставні інструменти, наприклад, шліфувальні диски, на наявність сколів та тріщин, шліфувальні тарілчасті диски на наявність тріщин, ознаки зносу або сильного стирання, дротяні щітки на наявність незакріплених або поламаних дротів. Якщо електроінструмент або вставний інструмент впа, перевірте, чи він не пошкоджений, або використовуйте непошкоджений вставний інструмент. Якщо ви перевірили та встановили вставний інструмент, вам та особам, які знаходяться поблизу, необхідно триматися поза зоною дії вставного інструменту, що обертається, і нехай електроінструмент одну хвилину працює з максимальною частотою обертів. Пошкоджені вставні інструменти у більшості випадків ламаються під час такого випробування.

**h) Носити індивідуальні засоби захисту.** Залежно від виду робіт користуватися маскою для захисту всього обличчя, засобом для захисту очей або захисними окулярами. Якщо необхідно, одягніть маску для захисту від пилу, засоби захисту органів слуху, захисні рукавиці або спеціальний фартух, який затримує малі частинки від шліфування та часточки матеріалу. Необхідно захищати очі від часточок та деталей, що можуть відлітати під час різних видів застосувань. Фільтруюча захисна маска або маска для захисту від пилу необхідні для фільтрації пилу, що виникає під час роботи. Якщо на органи слуху тривалий час діє гучний шум, це може призвести до втрати слуху.

**i) Зверніть увагу, що інші особи мають дотримуватися безпечної відстані від вашої робочої області.** Кожний, хто входить в робочу область, повинен одягти індивідуальні засоби захисту. Частинки заготовки або уламки вставних інструментів можуть відлітати та спричиняти травми навіть за межами безпосередньої робочої області.

**j) Під час виконання робіт тримайте електроінструмент за ізольовані поверхні рукояток, якщо вставний інструмент може натрапити на приховані електричні лінії.** Контакт з лінією під напругою може призвести до появи напруги в металевих частинах приладу та до ураження електричним струмом.

**k) Ніколи не кладіть електроінструмент, доки вставний інструмент не зупиниться повністю.** Вставний інструмент,

який обертається, може зіткнутися із поверхню стійки, що може призвести до втрати контролю над електроінструментом.

**l) Не вмикайте електроінструмент під час перенесення.**

Через випадкове торкання вставний інструмент, який обертається, може зачепити ваш одяг, а також врізатися в тіло.

**m) Регулярно чистити вентиляційні отвори електроінструменту.**

Вентилятор дивнуна втягує в корпус пил, велике скупчення металевого пилю може призводити до небезпеки, пов'язаної з електричними приладами.

**n) Не користуйтеся електроінструментом поблизу горючих матеріалів.** Іскри можуть призвести до займання матеріалів.

**o) Не використовувати вставні інструменти, які вимагають рідких засобів для охолодження.** Використання води або інших рідких охолоджувальних засобів може призвести до ураження електричним струмом.

**Віддача та відповідні вказівки з техніки безпеки**

Віддача - це раптова реакція внаслідок затинання або блокування вставного інструменту, який обертається, наприклад, шліфувального диску, шліфувального тарілочастого диску, дротяної щітки та ін. Заклинювання або блокування веде до раптової зупинки вставного інструменту, який обертається. Внаслідок цього неконтрольований електроінструмент отримує прискорення в напрямку, протилежному напрямку обертання вставного інструмента в точці блокування.

Коли, наприклад, шліфувальний диск заклинюється або блокується в заготовці, край шліфувального диска, який занурений в заготовку, може зачепитися і зірвати шліфувальний диск або спричинити віддачу. Шліфувальний диск після цього рухається в напрямку до оператора або від нього, залежно від напрямку обертання диска в точці блокування. Шліфувальні диски можуть в цьому випадку також зламатися.

Віддача є наслідком неправильного або помилкового використання електроінструмента. Її можна попередити відповідними запобіжними заходами, як описано нижче.

**a) Міцно тримати електроінструмент, тіло та руки мають бути в такому положенні, при якому вони можуть компенсувати сили віддачі. Завжди використовувати додаткову рукоятку, якщо вона є, щоб в максимальній мірі контролювати сили віддачі або зворотні моменти при розгоні.** Користувач може відповідними запобіжними заходами управляти віддачею та зворотними силами.

**b) Ніколи не наближати руки до вставних інструментів, які обертаються.** Вставний інструмент може при віддачі вивратися з рук.

**c) Триматися за межами ділянки, куди рухається електроінструмент при віддачі.** Віддача спрямовує електроінструмент в напрямку, протилежному напрямку руху шліфувального диска в місці блокування.

**d) Особливо обережно слід працювати на ділянках кутів, гострих кромок та ін. Запобігайте відсакуванню від заготовки та заклинюванню вставних інструментів.** Вставний інструмент, який обертається, може заклинюватися на кутах, гострих кромках або при відскоках. Це призводить до втрати контролю та до віддачі.

**e) Не використовувати ланцюгове або зубчате пилкове полотно.** Такі вставні інструменти часто спричиняють віддачу або втрату контролю над електроінструментом.

**Особливі вказівки з техніки безпеки для шліфування та відрізного шліфування:**

**a) Використовувати виключно шліфувальні круги, допущені для вашого електроінструмента, та захисний кожух, передбачений для цих шліфувальних інструментів.** Шліфувальні інструменти, не передбачені для електроінструмента, не можуть бути в достатній мірі закриті; вони небезпечні.

**b) Вигнуті шліфувальні диски монтувати так, щоб шліфувальна поверхня не виходила за рівень краю захисного кожуха.** Неправильно змонтований шліфувальний диск, який виходить за рівень краю захисного кожуха, не може бути достатньо захищеним.

**c) Захисний кожух необхідно надійно закріпити на електроінструменті та для максимальної безпеки регулювати так, щоб відкрити у напрямку оператора була найменша частина шліфувального інструменту.** Захисний кожух допомагає захистити оператора від часточок матеріалу, випадкового торкання до шліфувального інструменту, а також від іскор, які можуть запалити одяг.

**d) Відрізні диски можна використовувати тільки для рекомендованих робіт. Наприклад: Ніколи не здійснюйте шліфування боковою поверхню відрізного диска.** Відрізні диски призначені для зняття матеріалу кромкою диска. Прикладання сили збоку до цих шліфувальних інструментів може спричинити їхню поломку.

**f) Завжди використовувати непошкоджені затиски фланці необхідного розміру та форми для вибраного шліфувального диску.** Відповідні фланці створюють опору для шліфувального диска та знижують небезпеку поломки шліфувального диска. Фланці для відрізних дисків можуть відрізнитися від фланців для інших шліфувальних дисків.

**f) Не використовувати зношені шліфувальні диски від більшого електроінструмента.** Шліфувальні диски від великих електроінструментів не розраховані на велику кількість обертів менших електроінструментів; вони можуть зламатися.

**Подальші особливі вказівки з техніки безпеки для відрізного шліфування:**

**a) Уникати блокування відрізного диска або занадто сильного притиснення. Не виконувати занадто глибокі розрізи.** Перевантаження відрізного диска підвищує ризик утворення внутрішнього напруження та схильності до перекоосу або блокування, які в свою чергу призводять до віддачі або поломки шліфувального інструменту.

**b) Уникати ділянок перед та позаду відрізного диска, який обертається.** Якщо ви пересуваєте відрізний диск в заготовці від себе, у випадку віддачі електроінструмент з диском, який обертається, може бути відштовхнутим прямо на вас.

**c) Якщо відрізний диск заклинюється або ви перериваєте роботу, вимкніть прилад та тримайте його спокійно, доки диск не зупиниться. Ніколи не намагайтеся витягнути відрізний диск з розрізу, доки він обертається, інакше може статися віддача.** Визначити та усунути причину заклинювання.

**d) Не вмикати повторно електроінструмент, доки він знаходиться в заготовці. Відрізний диск має спочатку досягти повної кількості обертів, перш ніж обережно продовжувати різання.** Інакше диск може застрягнути, вийти з заготовки або спричинити віддачу.

**e) Під плити або великі заготовки необхідно ставити опори, щоб зменшити ризик віддачі через заклинювання**



**відрізного диска.** Великі заготовки можуть прогинатися під власною вагою. Заготовка повинна мати опору з обох боків, поблизу розрізу та на краю.

**ф) Будьте особливо обережні при виконанні „кишень“ з змонтованих стінах або на інших ділянках з поганим оглядом.** Занурювальний відрізний диск може спричинити віддачу при різанні газових та водяних трубопроводів або електричних ліній чи інших об'єктів.

**Особливі вказівки з техніки безпеки для шліфування з наждачним папером:**

**а) Не використовувати шліфувальні диски занадто великих розмірів, виконувати вказівки виробника щодо розміру шліфувальних дисків.** Шліфувальні диски, що виступають за краї шліфувального тарілчастого диску, можуть спричинити травми, а також приводити до блокування, розриву диску або до віддачі.

**Особливі вказівки з техніки безпеки для робіт з дрютяними щітками:**

**а) Зверніть увагу, що дрютяна щітка втрачає частини дротів навіть в нормальному режимі експлуатації. Не перевантажуйте дроти, не притискайте щітку занадто сильно.** Частини дротів, що відлітають, можуть легко проходити через легкий чи тонкий одяг та/або шкіру.

**б) Якщо рекомендовано використовувати захисний кожух, запобігайте зіткненню захисного кожуха та дрютяної щітки.** Тарілчасті та чашкові щітки можуть збільшувати діаметр під впливом притискання та відцентрових сил.

**Додаткові інструкції з техніки безпеки та експлуатації**

Перед увімкненням інструмента завжди перевіряйте, чи знаходиться кнопка блокіратора шпинделя в положенні повного розблокування. Після використання блокіратора шпинделя для кріплення/вивільнення абразивного диска кнопка може застрягти в положенні блокування. Вона може спричинити увімкнення захисту інструмента чи акумулятора та вимкнути живлення пристрою. Вимкніть перемикач, вийміть акумулятор, а потім обережно переміщуйте диск уперед і назад, щоб вивільнити кнопку блокіратора шпинделя. Примітка: У разі активації захисту акумулятора просто вийміть акумуляторну батарею з інструмента та встановіть її повторно, таким чином скинувши захист.

При шліфуванні металу виникає іскріння. Звертати увагу на те, що не створювати небезпеку для інших людей. Якщо є небезпека загоряння, на ділянці іскріння не повинні знаходитися горючі матеріали. Не використовувати засоби для відсмоктування пилу.

Уникати потрапляння іскор та пилу від шліфування на тіло. Частини тіла не повинні потрапляти в небезпечну область машини, коли вона працює.

Не можна видаляти стружку або уламки, коли машина працює. Негайно вимкнути прилад, якщо виникає помітна вібрація або інші небажані явища. Перевірте машину, щоб встановити причину.

При екстремальних умовах використання (наприклад, при чистовому шліфуванні металів опорними тарілками та шліфувальними дисками з вулканізованою фіброю) всередині кутової шліфувальної машини може утворитися сильне забруднення.

В зв'язку з небезпек короткого замикання в вентиляційні отвори не повинні потрапляти металеві предмети.

**ПОПЕРЕДЖЕННЯ!** Для запобігання небезпеці пожежі в результаті короткого замикання, травмам і пошкодженню виробів не занурюйте інструмент, змінний акумулятор або зарядний пристрій у рідину і не допускайте потрапляння рідини всередину пристроїв або акумуляторів. Корозійні і струмопровідні рідини, такі як солоний розчин, певні хімікати, вибілювальні засоби або продукти, що їх містять, можуть призвести до короткого замикання.

Не відкривати зніми акумуляторні батареї і зарядні пристрої та зберігати їх лише в сухих приміщеннях. Берегти від вологи.

Знімні акумуляторні батареї системи GBS заряджати лише зарядними пристроями системи GBS. Не заряджати акумуляторні батареї інших систем.

### **ЗАЛИШКОВІ НЕБЕЗПЕКИ**

Навіть у тому випадку, якщо кутова шліфувальна машина використовується згідно з інструкціями, неможливо повністю виключити певні залишкові фактори ризику. Можуть виникати вказані нижче ризики, й оператор повинен звертати особливу увагу, щоб уникати їх.

**Поранення, спричинені розлітанням часток.**

Металічні чи абразивні частки можуть потрапити в очі та спричинити незворотне ушкодження.

Під час кожного використання продукту носіть захисні окуляри, призначені для виконання шліфувальних робіт.

**Поранення, спричинені вібрацією.**

Обмежуйте вплив. Див. ПОПЕРЕДЖЕННЯ про вібрацію!

**Поранення, спричинені пилом.**

Носіть відповідну пилозахисну маску для захисту від часток оброблюваного матеріалу та часток шліфувального диска.

Не вживайте їжу та напої, не паліть у робочій області. Забезпечте достатню вентиляцію.

**Поранення внаслідок контакту зі шліфувальним диском.**

Під час роботи диск і заготовка дуже нагріваються. Замінюючи диск або торкаючись заготовки, носіть рукавиці. Завжди тримайте руки на відстані від області шліфування.

Завжди фіксуйте заготовку, коли це можливо.

**Поранення, спричинені шумом.**

Тривалий вплив шуму підвищує ризик ураження органів слуху, і цей вплив має накопичуваний ефект. У разі використання електроінструментів протягом тривалого часу користуйтеся засобами захисту органів слуху.

Тривале використання інструмента може спричинити чи погіршити поранення. Якщо інструмент використовується протягом тривалого часу, обов'язково робіть регулярні перерви.

### **ВИКОРИСТАННЯ ЗА ПРИЗНАЧЕННЯМ**

Кутова шліфувальна машина призначена для шліфування та розрізання металу, каменю, бетону та кераміки, а також для обробки шліфувальним папером і металевою щіткою.

Для розрізання використовуйте кришку для розрізання з асортименту додаткового приладдя.

Дотримуйтесь вказівок виробника комплектуючих.

Електроінструмент призначений лише для сухої обробки.

Встановлюйте на кутову шліфувальну машину лише відповідні шліфувальні або різальні диски та супутні захисні пристрої



**УКР**



(захисний кожух для шліфування чи розрізання) відповідно до вказівок у розділі зі специфікацією продукту в цьому посібнику. Кутова шліфувальна машина призначена для ручного використання та не призначена для установки на робочому столі або на кріпильних пристроях. Не використовуйте цей продукт для будь-якої іншої мети; використовуйте його лише згідно зі вказаним цільовим призначенням.

### ВКАЗІВКИ ЩОДО ЕКСПЛУАТАЦІЇ

При використанні шліфувальних інструментів з нарізною вставкою переконайтеся в тому, що різьба достатньо довга для довжини шпинделя.

Завжди використовувати та зберігати відрізані та шліфувальні диски відповідно до вказівок виробника.

При обдиранні та різанні завжди працювати з захисним кожухом.

Вигнуті шліфувальні диски монтувати так, щоб шліфувальна поверхня закінчувалася не менш ніж на 2 мм під рівнем краю захисного кожуха.

Фланцева гайка має бути затягнена перед введенням приладу в дію.

Завжди користуйтеся додатковою рукояткою.

Оброблювану заготовку необхідно міцно закріпити, якщо вона не тримається завдяки власній вазі. Ніколи не вести заготовку рукою до диска.

### АКУМУЛЯТОРНІ БАТАРЕЇ

Температура понад 50 °C зменшує потужність знімної акумуляторної батареї. Уникати тривалого нагрівання сонячними променями або системою обігріву.

З'єднувальні контакти зарядного пристрою та знімної акумуляторної батареї повинні бути чистими.

Для забезпечення оптимального строку експлуатації акумуляторні батареї після використання необхідно повністю зарядити. Знімну акумуляторну батарею, що не використовувалася тривалий час, перед використанням необхідно підзарядити.

Для забезпечення максимально можливого терміну експлуатації акумуляторні батареї після зарядки необхідно виймати з зарядного пристрою.

При зберіганні акумуляторної батареї понад 30 днів, Зберігати акумуляторну батарею при температурі приблизно 27 °C в сухому місці. Зберігати акумуляторну батарею в стані зарядки приблизно 30-50 %. Кожні 6 місяців знову заряджати акумуляторну батарею.

Відпрацьовані знімні акумуляторні батареї не можна кидати у вогонь або викидати з побутовими відходами. AEG пропонує утилізацію старих знімних акумуляторних батарей, безпечно для довкілля; зверніться до свого дилера.

Не зберігати знімні акумуляторні батареї разом з металевими предметами (небезпека короткого замикання).

### ЗАХИСТ АКУМУЛЯТОРНОЇ БАТАРЕЇ ВІД ПЕРЕВАНТАЖЕННЯ

При перевантаженні акумуляторної батареї внаслідок зарядки високого споживання струму, наприклад, занадто високий критичний момент, заклинювання вставного інструмента, раптова зупинка або коротке замикання, електроінструмент зупиняється на протязі 2 секунд та самостійно вимикається.

Для скидання просто вийміть акумуляторну батарею з інструмента та встановіть її повторно.

При надмірних навантаженнях акумуляторна батарея сильно перегрівается. В цьому випадку всі лампочки індикатора заряду блимають, доки акумуляторна батарея не охолоне. Можна продовжити роботу після того, як індикатор заряду згасне. Вставити акумуляторну батарею в зарядний пристрій, щоб знову зарядити та активувати її.

### ТРАНСПОРТУВАННЯ ЛІТІЙ-ІОННИХ АКУМУЛЯТОРНИХ БАТАРЕЙ

Літій-іонні акумуляторні батареї підпадають під заборону перевезення про перевезення небезпечних вантажів.

Транспортування таких акумуляторних батарей повинно відбуватися із дотриманням місцевих, національних та міжнародних приписів та положень.

споживачі можуть без проблем транспортувати ці акумуляторні батареї по вулиці.

Комерційне транспортування літій-іонних акумуляторних батарей експедиторськими компаніями підпадає під положення про транспортування небезпечних вантажів. Підготовку до відправлення та транспортування можуть здійснювати виключно особи, які пройшли відповідне навчання. Весь процес повинні контролювати кваліфіковані фахівці.

При транспортуванні акумуляторних батарей необхідно дотримуватись зазначених далі пунктів:

Переконайтеся в тому, що контакти захищені та ізольовані, щоб запобігти короткому замиканню. Слідкуйте за тим, щоб акумуляторна батарея не переміщувалася всередині упаковки. Пошкоджені акумуляторні батареї, або акумуляторні батареї, що потекли, не можна транспортувати. Для отримання подальших вказівок звертайтеся до своєї експедиторської компанії.

### ЗАХИСТ ВІД ПОВТОРНОГО ЗАПУСКУ

Автоматичний вимикач при зниженні напруги запобігає відновленню роботи машини після збою енергоживлення (заміна батарей).

При відновленні роботи вимкнути та знов увімкнути машину.

### ПЛАВНИЙ ПУСК

Електронний плавний пуск для безпечної роботи запобігає при увімкненні різкому розгону машини.

### ОБСЛУГОВУВАННЯ

Перед будь-якими роботами на приладі вийняти змінну акумуляторну батарею.

Завжди підтримувати чистоту вентиляційних отворів.

Використовувати комплектуючі та запчастини тільки від AEG. Деталі, заміна яких не описується, замінювати тільки в відділі обслуговування клієнтів AEG (зверніть увагу на брошуру „Гарантія / адреси сервісних центрів“).

У разі необхідності можна запросити скреслення з зображенням вузлів машини в перспективному вигляді, для цього потрібно звернутися в ваш відділ обслуговування клієнтів або безпосередньо в Techtronic Industries GmbH, Max-Eyth-Straße 10, 71364 Winnenden, Німеччина, та вказати тип машини та шестизначний номер на фірмовій таблиці з даними машини.



## СЕРТИФІКАТ ВІДПОВІДНОСТІ ВИМОГАМ ЄС

Ми заявляємо на власну відповідальність, що виріб, описаний в „Технічних даних“, відповідає всім застосовним положенням директиви 2011/65/EU (RoHS) 2006/42/EC 2014/30/EU та наступним гармонізованим нормативним документам: EN 60745-1:2009 + A11:2010 EN 60745-2-3:2011 + A2:2013 + A11:2014 + A12:2014 + A13:2015 EN 55014-1:2017 EN 55014-2:2015 EN 50581:2012



Winnenden, 2018-08-16



Alexander Krug / Managing Director  
Уповноважений із складання технічної документації.  
Techtronic Industries GmbH  
Max-Eyth-Straße 10, 71364 Winnenden, Germany

## СИМВОЛИ



УВАГА! ПОПЕРЕДЖЕННЯ! НЕБЕЗПЕЧНО!



Уважно прочитайте інструкцію з експлуатації перед введенням приладу в дію.



Під час роботи з машиною завжди носити захисні окуляри.



Носити захисні рукавиці!



Перед будь-якими роботами на приладі вийняти змінну акумуляторну батарею.



Антивібраційна система



Не застосовувати силу.



Тільки для робіт з відрізання.



Тільки для робіт зі шліфування.



Не натискайте кнопку блокіратора шпинделя під час запуску та руху за інерцією.



Комплектуючі - не входять в обсяг постачання, рекомендовані доповнення з програми комплектуючих.



Запчастина — не входить у стандартну комплектацію, надається як запчастина.



Електроприлади, батареї/акумулятори заборонено утилізувати разом з побутовим сміттям. Електричні прилади і акумулятори слід збирати окремо і здавати в спеціалізовану компанію для утилізації відповідно до норм охорони довкілля. Зверніться до місцевих органів або до вашого дилера, щоб отримати адреси пунктів вторинної переробки та пунктів прийому.



Постійний струм



Напруга



Номінальна кількість обертів



Європейський знак відповідності



Український знак відповідності



Євроазіатський знак відповідності

متى تُنقل البطاريات:

عند التأكد من حماية أطراف توصيل البطارية وعزلها تجنباً لحدوث قصر بالدائرة. عند التأكد من حماية حزمة البطارية من الحركة داخل صندوق التعبئة. يُرجى عدم نقل البطاريات التي بها تشققات أو تسربات. يُرجى البحث مع شركة الشحن عن نصيحة أخرى

## الرموز

- ⚠️ تنبيه! تحذير! خطراً  
يرجى قراءة التعليمات بعناية قبل بدء تشغيل الجهاز.  
ارتد دائماً نظارات الوقاية عند استخدام الجهاز.  
ارتد القفازات!

انزع البطارية قبل التعامل مع الجهاز.

نظام منع الاهتزاز

لا تستخدم القوة

مخصصة لأعمال القطع فقط

مخصصة لأعمال التجليخ فقط

لا تضغط على زر القفل مغزلي الشكل أثناء بدء التشغيل وأثناء التشغيل السريع.

الملحق - ليس مدرجاً كمعدة قياسية، متوفر كملحق.

قطعة الغيار - ليست مشمولةً في المعدات الأساسية، وهي متوفرة كقطعة غيار.

يحظر التخلص من الأجهزة الكهربائية والبطاريات/البطاريات القابلة للشحن في القمامة المنزلية. يجب جمع الأجهزة الكهربائية والبطاريات القابلة للشحن منفصلة وتسليمها للتخلص منها بشكل لا يضر بالبيئة لدى شركة إعادة استغلال الرجاء الاستفسار لدى الهيئات المحلية أو لدى التجار المتخصصين عن مواقع إعادة الاستغلال ومواقع الجمع.

التيار المستمر

الجهد الكهربى

الحد الأقصى للسرعة المقدره

علامة التوافق الأوربية

علامة التوافق الأوكرانية

علامة التوافق الأوربية الأسيوية

## انقطاع تيار إعادة التشغيل

إن زر الأمان يمنع أداء الماكينة مرة أخرى بعد قطع التيار. عند بدأ العمل مرة أخرى يجب إيقاف الآلة وتشغيلها مرة أخرى.

## تشغيل هادئ

يمنع التشغيل الإلكتروني السلس الخاص بالاستخدام الآمن الزيادة الاتعاشية للآلة.

## الصيانة

انزع البطارية قبل التعامل مع الجهاز.

يجب أن تكون فتحات تهوية الجهاز نظيفة طوال الوقت. استخدم ملحقات AEG وقطع الغيار التابعة لها فقط. إذا كانت المكونات التي يجب تغييرها غير مذكورة، يرجى الاتصال بأحد عملاء صيانة AEG (انظر قائمة عناوين الضمان/الصيانة الخاصة بنا).

عند الحاجة يمكن طلب رمز انفجار الجهاز بعد ذكر طراز الآلة والرقم السداسي المذكور على بطاقة طاقة الآلة لدى جهة خدمة العملاء أو مباشرة لدى شركة

Techtronic Industries GmbH  
Max-Eyth-Straße 10  
Winnenden 71364  
ألمانيا

## إعلان المطابقة - الاتحاد الأوروبي

نعلن تحت مسؤوليتنا وحدنا أن المنتج المعين تحت اسم "البيانات الفنية" يتوافق مع جميع الأحكام ذات الصلة ضمن التوجيهات

2011/65/EU (RoHS)

2006/42/EG

2014/30/EU

والمعايير المتسقة التالية

EN 60745-1:2009 + A11:2010

EN 60745-2-3:2011 + A2:2013 + A11:2014 +

A12:2014 + A13:2015

EN 55014-1:2017

EN 55014-2:2015

EN 50581:2012

2018-08-16, Winnenden



Alexander Krug

Alexander Krug / Managing Director  
معمتمة للمطابقة مع الملف الفني

Techtronic Industries GmbH  
Max-Eyth-Straße 10, 71364 Winnenden,  
Germany

## نصائح العمل

بالنسبة للملحقات العدة للثبييت مع قرص قوّب ملوابة، يجب التأكد من أن الأسنان المزودة بالقرص طويلة بما يكفي لقبول طول محور الدوران.

قم باستخدام وحفظ قرص القطع والتجليخ دائماً حسب تعليمات الشركة المنتجة.

يجب دائماً ارتداء واقي عند إجراء أعمال التجليخ والقطع

أقراص التجليخ المتحركة يجب تركيبها بحيث يكون سطح التجليخ الخاص بها لا يعلو مستوى حافة حاجب الحماية.

يجب إحكام ربط صامولة الضبط قبل بدء تشغيل الماكينة. استخدم دائماً المقيض الإضافي.

قطعة التصنيع التي يجب معالجتها يجب أن تكون مثبّطة، طالما أنها لن تكون ثابتة من خلال وزنها. لا تمسك قطعة التصنيع باليد لمعالجتها بالقرص.

## البطاريات

تقلل درجات الحرارة التي تتجاوز 50° سيلزيوس (122° فهرنهايت) من أداء البطارية. تجنب التعرض الزائد للحرارة أو أشعة الشمس (خطر التسخين)..

يجب الحفاظ على محتويات الشواحن و البطاريات نظيفة. للحصول على فترة استخدام مثالية، يجب شحن البطاريات تماماً، بعد الاستخدام. يجب إعادة شحن البطارية غير المستخدمة لفترة قبل الاستخدام.

للحصول على أطول عمر ممكن للبطارية، انزع البطارية من الشاحن بمجرد شحنها تماماً.

لتخزين البطارية أكثر من 30 يوم، خزن البطارية بحيث تكون درجة الحرارة أقل من 27° سيلزيوس وبعيدا عن أي رطوبة. خزن البطارية مشحونة بنسبة تتراوح بين 30-50 %، اشحن البطارية كالمعتاد، وذلك كل ستة أشهر من التخزين.

لا تتخلص من البطاريات المستعملة مع النفايات المنزلية أو بحرقها. يقدم موزع AEG خدمة استعادة البطاريات القديمة لحماية البيئة.

لا تقم بتخزين البطارية مع الأشياء المعدنية (خطر قصر الدائرة)..

## حماية البطارية

في حالة التحميل الزائد على البطارية نتيجة استهلاك طاقة كهربائية عالية جداً، على سبيل المثال عزم دوران عالي جداً، أو إنحسار الآلة المستخدمة أو التوقف المفاجئ أو حدوث ماس كهربائي تتوقف الآلة الكهربائية لمدة دقيقتين وتتوقف تلقائياً عن العمل. لإعادة الضبط، قم بإزالة حمزة البطاريات من الآداة واستبدالها.

في الظروف القصوى للعمل، قد ترتفع درجة الحرارة الداخلية للبطارية ارتفاعاً شديداً. إذا حدث ذلك، سيبقى مقياس الوقود حتى تنخفض درجة حرارة البطارية. بعد انطفاء الأضواء، يمكنك متابعة العمل. ضع البطارية على الشاحن للشحن ثم أعد ضبطها.

## نقل بطاريات الليثيوم

تخضع بطاريات الليثيوم أبون لشروط قوانين نقل السلع الخطرة.

ويجب نقل هذه البطاريات وفقاً للأحكام والقوانين المحلية والوطنية والدولية.

يمكن للمستخدم نقل البطاريات برأ دون الخضوع لشروط أخرى.

يخضع النقل التجاري لبطاريات الليثيوم أبون عن طريق الغير إلى قوانين نقل السلع الخطرة. يتعين أن يقوم أفراد مدربون جيداً بالأعداد لعملية النقل والقيام بها بصحبة خبراء مثلهم.

السوائل المؤدية للتآكل أو الموصلة للتيار الكهربائي، مثل الماء والملح ومركبات كيميائية معينة ومواد التبييض أو المنظفات التي تشتمل على مواد تبييض، يمكن أن تؤدي إلى حدوث ماس كهربائي.

لا تقم أبداً بفتح قفل البطارية والشواحن ولا تخزينهم إلا في غرف جافة. وحافظ عليها جاف طوال الوقت.

استخدم فقط شواحن System GBS لشحن بطاريات System GBS. لا تستخدم بطاريات من أنظمة أخرى.

## المخاطر المتبقية

حتى عند استخدام مطحنة الزاوية على النحو الموضح، فلا يزال المستعمل المتخلص نهائياً من بعض عوامل الخطر المحتملة. فقد تنشأ المخاطر التالية وبالتالي ينبغي على المشغل الحذر الشديد لتجنب ما يلي:

### الإصابة التي تحدث بسبب الجسيمات المتطايرة.

قد تدخل الجسيمات المعدنية أو الساحجة في العين وتتسبب في ضرر دائم شديد.

يجب ارتداء النظارات الواقية لمعاملات الطحن عندما تستخدم المنتج.

### الإصابة التي تحدث بسبب الاهتزاز.

حد التعرض. انظر، التحذير المتعلق بالاهتزاز!"

### الإصابة التي تحدث بسبب الغبار.

يجب ارتداء قناع التحكم في الغبار المناسب والمزود بالمرشحات المناسبة للحماية من الجسيمات الناتجة عن المواد التي يتم العمل فيها والجسيمات الساحجة من قرص الطحن.

لا تتناول الطعام أو الشرب أو تدخن في منطقة العمل. وتأكد من وجود تهوية كافية.

### الإصابة من ملامسة قرص الطحن.

سببص القرص وقطعة التصنيع ساخنين خلال الاستخدام، لذلك يجب عليك ارتداء القفازات عند تغيير الأقراص أو لمس قطعة التصنيع. واحرص على إبعاد يديك من منطقة الطحن في كل الأوقات.

قم بتثبيت قطعة التصنيع متى أمكن.

### الإصابة التي تحدث بسبب الضوضاء.

سببوي التعرض لفترة طويلة إلى الضوضاء إلى زيادة خطر التعرض لمشاكل في السمع وسيكون هذا التأثير تراكمياً. عند استخدام الأدوات الكهربائية لأي فترة زمنية طويلة، يجب ارتداء وقاية الأذن.

قد تحدث الإصابات أو تتفاقم بسبب الاستخدام المطول للآداة. لذا، عند استخدام أي أداة لفترات طويلة، احرص على أخذ فترات راحة منتظمة.

## شروط الاستخدام المحددة

صُممت مطحنة الزاوية للاستخدام في طحن وقطع المعادن والأحجار والخرسانة والمواد الخزفية وكذلك التنظيف بالرمال وتنظيف الأسلاك بالفرشاة.

استخدم غطاء القطع من مجموعة الملحقات من أجل القطع. اتبع دائماً تعليمات الشركة المصنّعة إذا لم تكن متأكدًا بشأن ما يتعين عليك القيام به مع الماكينة.

الآلة مخصصة فقط للاستخدام الجاف

يجب فقط تثبيت أقراص الطحن أو القطع المناسبة والواقيات ذات الصلة (واقي الطحن أو القطع) على النحو الموضح في قسم مواصفات المنتج بهذا الدليل في مطحنة الزاوية. فقد صُممت مطحنة الزاوية للاستخدام المحمول باليد ولا ينبغي تعليقها على التجهيزات الثابتة أو طاولة العمل.

لا تستخدم المنتج بأي طريقة غير الموضحة للاستخدام المقصود.

**(d)** لا تقم بإعادة تشغيل عملية القطع في قطعة العمل. اترك القرص ليصل إلى سرعته القصوى ثم قم بإعادة عملية القطع بحذر. قد يولتو القرص أو يرتد إذا تم إعادة تشغيل الآلة الكهربائية في قطعة العمل.

**(e)** قم بتدعيم الألواح أو قطع العمل الكبيرة الحجم لتقليل مخاطر الضغط على الأجزاء أو الارتداد. تتحذى الألواح الكبير بفعل وزنها، يجب وضع دسمات تحت قطعة العمل بالقرب من خط القطع وحافة قطعة العمل على كلا جانبي القرص.

**(f)** توخى الحذر الشديد عند استخدام المقاطع الجيبى للتعلم فى الحوائط أو أى مناطق أخرى غير ظاهرة، تستخدم الأقراص الناتئة فى قطع أنابيب الغاز أو الماء أو الأسلاك الكهربائية أو المواد التي يمكن أن تسبب ارتداداً.

#### تحذيرات السلامة المحددة لعمليات الصنفرة:

**(a)** لا تفرط في استخدام ورق أسطوانة الصنفرة كبير الحجم. عند تعليمات المصنع، اغتن اختيار ورق الصنفرة. قد يسبب امتداد ورق الصنفرة الكبير خلف طنانة الصنفرة الإصابة بجروح كما قد يودى إلى تشقق أو تمزق الاسطوانة أو تحدث ارتداداً.

#### تحذيرات السلامة المحددة لعمليات تنظيف الأسلاك:

**(a)** كن حذراً حيث قد تتناثر أسلاك من الفرشاة أثناء التشغيل العادي. لا تزيد الضغط على الأسلاك بزيادة الحمل على الفرشاة. كن حذراً حيث قد تتناثر أسلاك من الفرشاة أثناء التشغيل العادي. لا تزيد الضغط على الأسلاك بزيادة الحمل على الفرشاة. من الممكن أن تخترق أسلاك الفرشاة المنتثرة الملابس الخفيفة بسهولة و/أو الجلد.

**(b)** فى حالة للتوصية باستخدام الواقي فى تنظيف الأسلاك، لا تسمح مطلقاً بأى تداخل بين العجلة السلكية أو الفرشاة مع الواقي. قد يتمدد قطر العجلة السلكية أو الفرشاة نتيجة لحمل العمل وقوى الطرد المركزية.

#### إرشادات أمان وعمل إضافية

تحقق دوماً من أن زر القفل مغزلي الشكل فى موضع التحريم الكامل قبل تشغيل الآداة! بعد استخدام القفل مغزلي الشكل لربط / فك قرص السجج، من الممكن أن يثبت الزر فى موضع القفل. فى الوقت نفسه قد يودى ذلك إلى تشغيل الآداة وحمائية البطارية ونزح الطاقة من الآداة. لذا، أوقف تشغيل المفتاح وقم بإزالة البطارية، ثم قم بأرجحة القرص للخلف والأمام لتحريم زر القفل مغزلي الشكل.

ملاحظة: فى حالة تنشيط حماية البطارية أيضاً، ما عليك إلا إزالة حزمة البطاريات من الآداة واستبدالها، ثم إعادة ضبط الحمائية.

عند قطع المعادن، يتطاير بعض الشرر. تأكد من عدم تعرض أى شخص للخطر. نظراً لاحتمال التعرض لخطر الحريق، لا يجب وجود أى مواد احتراق بالقرب من (منطقة الشرر المتطاير). لا تستخدم نظام استخلاص الأتربة.

تجنب إصابة الجسم بالشرار المتطاير وغياب التجليخ. لا تصل أبداً إلى منطقة الخطر للآلة عندما تكون قيد التشغيل.

لا يجب إزالة النشارة والشظايا أثناء تشغيل الآلة.

قم بإيقاف تشغيل الماكينة مباشرة فى حالة حدوث اهتزازات شديدة أو غير ذلك من أعطال التشغيل. افحص الماكينة للتعرف على السبب.

فى الظروف القاسية (مثل، المعادن سهلة التجليخ بقرص التجليخ الفيبر المصلد والمظلمة)، قد يحدث تلوث كبير داخل الجلاخة.

لا تدخ أى جزء معدنية تلمس فتحات التهوية - خطر قصر الدائرة!

تحذيراً! لتجنب أخطار الحريق أو الإصابة أو الأضرار بالمنتج التي تنجم عن الماس الكهربائي، لا تغمر الآداة أو البطارية القابلة للاستبدال أو جهاز الشحن فى السوائل وأحرص على أن لا تصل السوائل إلى داخل الجهاز والبطارية.

**(a)** اعمل على إمساك الآلة الكهربائية بإحكام ووظف جسدك ودرارك لمساعدتك على مقاومة قوى الارتداد. استخدم دانما مقبض إضافي، إن وجد، للحصول على أقصى مستوى من التحكم فى الارتداد أو رد فعل عزم الدوران عند بدء التشغيل. يستطيع المشغل التحكم فى قوى رد فعل العزم أو الارتداد، إذا ما اتخذ التدابير اللازمة.

**(b)** لا تضع يدك أبداً بالقرب من الملحقات الدوارة. فقد ترتد القطعة الملحقة على يدك.

**(c)** لا تضع جسمك فى منطقة حيث يمكن أن تتحرك الآلة إذا ما حدث ارتداد. سيسعمل الارتداد على تحريك الآلة بالاتجاه المعاكس لاتجاه حركة العجلة عند نقطة الإعاقة.

**(d)** توخ الحذر الشديد عند العمل فى الزوايا والحواف الحادة وعلويها. حاول تجنب ارتداد أو إعاقة الملحقات. حتمل مع العمل فى الزوايا أو الحواف الحادة أو الارتداد حدوث إعاقة للقطعة الدوارة مما يسبب فقدان السيطرة والارتداد.

**(e)** لا تترك سلسلة منشار أو شفرة نحت الخشب أو شفرة منشار مستننة. فمثل هذه الشفرات تودى إلى حدوث ارتدادات مفاجئة وفقدان السيطرة على الآلة الكهربائية.

#### تحذيرات السلامة المحددة لعمليات الجليخ والكشط والقطع:

**(a)** استخدم فقط أنواع الأقراص الموصى بها لآلةك الكهربائية والواقى الخاص المصمم للقرص الممدد. الأقراص التي لم يتم تصميمها للآلة الكهربائية لا يمكن أن تتناسب مع الواقي كما أنها غير آمنة.

**(b)** أقراص التجليخ المتحركة يجب تركيبها بحيث يكون سطح التجليخ الخاص بها لا يعلو مستوى حافة حاجب الحماية. قرص التجليخ الذي تم تركيبه بشكل غير صحيح والذي يعلو حافة حاجب الحماية، لا يمكن حجبه بشكل كافي.

**(c)** يتعين أن يثبت تركيب الواقي بالآلة الكهربائية بإحكام ويستقر فى الوضع الصحيح لتوفير أقصى مستوى من الحمائية. بحيث يكون أقل قدر من القرص معرض نحو المشغل. يساعد الواقي فى حماية المشغل من الشظايا التي قد تنتج عن كسر القرص والتلامس العرضي مع القرص.

**(d)** يتعين استخدام الأقراص فى التطبيقات الموصى بها فقط. على سبيل المثال: لا تستخدم جانب القرص فى التجليخ. صممت الأقراص الكاشطة لأغراض الجليخ المحيطي، حيث قد يودى إعمال قوى الجوانب مع هذه الأقراص إلى كسرها.

**(e)** استخدم دانما أقراص ذات حواف سليمة والتي يتناسب حجمها وشكلها مع القرص المختار. تدعم حواف القرص المناسبة القرص فىي تعلق بالتالي احتمالية كسر القرص. قد تختلف أطراف أقراص القطع عن أطراف أقراص الجليخ.

**(f)** فالقرص المصمم للآلة الكهربائية الأكبر لا يتناسب مع السرعة العالية للآلة الأصغر كما يمكن أن تنفجر. فالقرص المصمم للآلة الكهربائية الأكبر لا يتناسب مع السرعة العالية للآلة الأصغر كما يمكن أن تنفجر.

#### تحذيرات السلامة المحددة الإضافية لعمليات القطع والكشط:

**(a)** لا تقم بـ"بحشر" أقراص القطع أو زيادة الضغط عليها. لا تحاول المبالغة فى عمق القطع. يزيد الضغط الزائد على القرص من الحمل وقابلية عوجاج القرص والتوائه أثناء القطع بالإضافة إلى احتمالية ارتداد القرص أو كسره.

**(b)** لا تقم بوضع يدك بمحاذاة القرص الدوار أو خلفه. أبعد القرص عن يدك، أثناء التشغيل، حيث إن الارتداد من الممكن أن يدفع القرص الدوار والآلة الكهربائية باتجاهك مباشرة.

**(c)** عند التواء القرص أو عند مقاطعة عملية القطع لأى سبب من الأسباب، قم بإيقاف تشغيل الآلة الكهربائية ثم ثبت الآداة حتى تتوقف تماماً. لا تحاول مطلقاً إزالة قرص القطع من القطع عندما يكون القرص فى وضع الحركة ولا سيحدث ارتداد مفاجئ. تدقق من الأمر واتخذ الإجراءات التصحيحية اللازمة للفناء على أى سبب لعوجاج القرص.



**(g)** لا تستخدم ملحقاً تالفاً. افحص الملحق قبل كل استخدام مثل فحص أقراص الكشط للتأكد من عدم وجود الشظايا والشقوق، وحشية الدعم للتأكد من عدم وجود شقوق، أو تمزق أو تآكل زائد، والفرشاة السليكية للتأكد من عدم وجود أسلاك غير ثابتة أو مشقوقة. إذا مشققت الآلة الكهربائية أو الملحق، فافحصها للتأكد من عدم وجود تلف أو قم بتركيب ملحق غير تالف. بعد فحص وتركيب أحد الملحقات، فف بعدئذا عن مسح الملحق الدوار وشغل الآلة الكهربائية بأقصى سرعة بدون حمل لدقيقة واحدة. عادةً ما تستفصل الأقراص التالفة خلال فترة الاختبار هذه.

**(h)** ارتد معدات الحماية الشخصية. بناءً على نوع التطبيق، استخدم واقي الوجه ونظارات واقية أو نظارات الوقاية. حيثما كان ملائماً، ارتد معدات الحماية مثل، قناع الغبار، وواقبات الأذن، والقفازات والمنزر القادر على وقف أجزاء الكشط الصغيرة أو الشظايا المتطايرة من قطعة العمل. يجب أن تكون واقبات العين قادرة على وقف الفتات المتطاير الناتج عن العديد من العمليات. يجب أن يكون قناع الغبار أو كامرة التنفس قادرة على ترشيح الجسيمات الناتجة عن العملية التي تقوم بها. قد يسبب التعرض لمستوى مرتفع من الضوضاء لفترات طويلة إلى فقدان السمع.

**(i)** اعمل على بقاء مراقبتك بعيداً عن منطقة العمل بمسافة كافية لتأمينهم. وتعيين على أي شخص يدخل منطقة العمل ارتداء معدات الوقاية الشخصية. قد تتطاير أجزاء من قطعة العمل أو شظايا ناتجة عن كسر القطع الملحقة خارج إطار منطقة العمل الحالية مسببة إصابات.

**(j)** عند أداء أعمال قد تلامس فيها أداة القطع أسلاك مخفية، احمل الآلة الكهربائية من سطح القبض المعزولة فقط. تتسبب ملامسة أحد ملحقات آلة القطع بسلك كهربائي، "موصلة" في جعل الأجزاء المعدنية المكشوفة بالآلة الكهربائية، "موصلة" كهربائياً مما يجعل المشغل عرضة لصدمة كهربائية.

**(k)** لا تضع الآلة الكهربائية جانباً حتى تتوقف الملحقات الدوارة عن الحركة تماماً. فقد تطلق الملحقات الدوارة بالسطح مما يؤدي إلى خروج الآلة عن سيطرتك.

**(l)** لا تشغل الآلة أثناء حملها بجيبك. فقد يؤدي التلامس العرضي للملحقات الدوارة إلى تمزيق الملابس، وسحبها باتجاه جسمك.

**(m)** نظّف فتحات تهوية الآلة دورياً. ستعمل مروحة المحرك على سحب الغبار إلى داخل المصّيت مما يؤدي إلى تراكم برادة المعادن مسبباً مخاطر كهربائية.

**(n)** لا تشغل الآلة بالقرب من المواد القابلة للاشتعال. فقد يؤدي الشرر إلى إشعال تلك المواد.

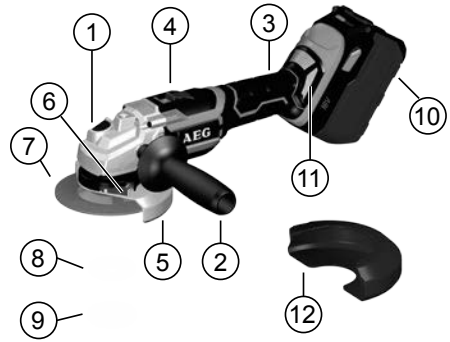
**(o)** لا تستخدم الملحقات التي تتطلب تبريد باستخدام سوائل التبريد. فقد يؤدي استخدام الماء أو سوائل التبريد إلى حدوث صعقة أو صدمة كهربائية.

#### الارتداد والتحذيرات المتعلقة به

الارتداد هو رد الفعل المفاجئ أو إعاقة فرص التدوير أو حشية الدعم أو الفرشاة أو أي ملحقات أخرى. يؤدي الضغط أو إعاقة الحركة إلى التوقف المفاجئ للملحقات الدوارة مما يؤدي بدوره إلى فقدان السيطرة على الآلة واندفاعها بالاتجاه المعاكس لحركة الملحقات الدوارة عند إعاقتها.

على سبيل المثال، إذا ما أعقبت حركة العجلة الكاشطة أو تعرضت للضغط بواسطة القطعة التي يتم العمل عليها، فإن حافة القرص الذي يدخل في نقطة الضغط يمكن أن يحفر في سطح المادة مما يجعل القرص يندفع للخارج أو يتحرك خارجاً. قد يندفع القرص باتجاه المشغل أو بعيداً عنه، تبعاً لاتجاه حركة القرص في نقطة الضغط. قد تنكسر أقراص الكشط في ظل تلك الظروف.

يحدث الارتداد نتيجة للاستخدام الخاطئ للآلة الكهربائية و/أو إجراءات أو أوضاع التشغيل غير الصحيحة ويمكن تجنب هذا الارتداد باتخاذ التدابير الموضحة أدناه.



#### وصف الجهاز

- |                            |                        |
|----------------------------|------------------------|
| ① قفل مغزلي الشكل          | ⑦ كملحق.               |
| ② مقبض إضافي / AVS         | ⑧ شفة                  |
| مقبض إضافي                 | ⑨ صامولة الشفة اصامولة |
| مساحة المقبض معزولة        | FIXTEC                 |
| ③ مقبض مساحة المقبض معزولة | ⑩ البطارية             |
| ④ مفتاح تشغيل وإيقاف       | ⑪ شاشة الغبار          |
| ⑤ واقي التجليخ             | ⑫ واقي القاطع          |
| ⑥ ذراع قفل الواقي          |                        |

#### ⚠️ تعليمات أمان جلاخة الزاوية

تحذيرات السلامة الشائعة للجلاخ والصنفرة، والفرشاة السليكية والتلميع، وعمليات القطع الكاشطة:

- (a)** تم تصميم هذه الآلة الكهربائية لتعمل كجلاخة، أو فرشاة سلكية، أو كأداة قطع. اقرأ جميع تحذيرات السلامة، والتعليمات، والصور التوضيحية والموصفات المتوفرة مع هذه الأداة. قد يؤدي عدم مراعاة التعليمات المدرجة أدناه إلى التعرّض للإصابة بصدمة كهربائية أو الحريق و/أو إصابة خطيرة.
- (b)** هذه الآلة الكهربائية غير مخصصة للتلميع قد تتسبب العمليات التي لم يتم تصميم الآلة الكهربائية لها في مخاطر كما قد تسبب التعرّض للإصابة الشخصية.
- (c)** لا تستخدم الملحقات غير المصممة لهذه الآلة والتي لم يوصى بها المصنّع. نظراً لأنه يمكن تركيب أحد الملحقات بالآلة الكهربائية الخاصة بك، فإنه لا يمكن ضمان التشغيل الآمن.
- (d)** يتعيّن أن تساوي السرعة المقدّرة لقطع الملحقات على الأقل الحد الأعلى للسرعة المحددة على الآلة الكهربائية. فقد يؤدي تشغيل الملحقات بسرعة أعلى من السرعة المقدّرة لها إلى كسرها أو تلفتها وتناثر شظاياها.
- (e)** يتعيّن أن يكون القطر الخارجي للقطعة الملحقة وسمكها ضمن السعة المصنفة للآلة الخاصة بك. يؤدي حجم القطعة الملحقة غير المناسب إلى إالى عدم وجود حماية كافية لها إضافة إلى صعوبة التحكم.
- (f)** قلاوظات أجزاء المستلزمات يجب أن تتطابق مع قلاوظ محور التحليخ. في حالة الأجزاء المستلزمات التي سيتم بها إجراء وصلة اتصال قلاوظ، يجب أن يكون الثقب الخاص بأداة التركيب في المستلزم متطابق مع قطر قلاوظ التحديد. أجزاء المستلزمات التي لا تتناسب مع أداة تركيب الجهاز تدور بشكل غير منتظم وتتذبذب بشدة أكثر من اللازم، ويمكن أن تؤدي إلى فقدان التحكم في الأداة.

BEWS18-125BL	BEWS18-115BL	البيانات الفنية جلاخة زاويا لاسلكية
4693 85 01 ... 4690 40 01 ... ... 000001- 999999	4693 80 01 ... 4690 25 01 ... ... 000001- 999999	إنتاج عدد
18 V	18 V	فولطية البطارية
11000 min <sup>-1</sup>	11000 min <sup>-1</sup>	الحد الأقصى للسرعة المقدره
125 mm 22,2 mm	115 mm 22,2 mm	D = قطر اسطوانة الجليخ الحد الأقصى d = الثقوب الضيقة-Ø
1 / 3 mm	1 / 3 mm	b = سمك قرص الفصل الحد الأدنى / الحد الأقصى
6 mm	6 mm	b = سمك قرص التجليخ الحد الأقصى
125 mm	115 mm	D = قطر سطح التجليخ الحد الأقصى
75 mm	75 mm	D = قطر الفرشاة السلك الحد الأقصى
M 14	M 14	سن عامود دوران التشغيل
2,4 kg ... 3,1 kg	2,4 kg ... 3,1 kg	الوزن وفقا لنهج EPTA رقم 01/2014 (Li-Ion 1,5 Ah...9,0 Ah)
-18°C ... +50°C	-18°C ... +50°C	درجة حرارة البيئة المحيطة المنصوح بها من أجل التشغيل
L18...	L18...	البطاريات المنصوح بها
AL1218... / BL 1218...	AL1218... / BL 1218...	جهاز الشحن المنصوح به
<b>معلومات الضوضاء</b>		
القيم التي تم قياسها محددة وفقا للمعايير الأوروبية EN 60 745 مستويات ضوضاء الجهاز، ترجيحاً بشكل نموذجي كالتالي:		
83dB(A) 84dB(A)	83dB(A) 84dB(A)	مستوى ضغط الصوت (الارتياح في القياس = 3 ديسيبل (A)) مستوى شدة الصوت (الارتياح في القياس = 3 ديسيبل (A))
<b>ارتد وإقيات الأذن!</b>		
<b>معلومات الاهتزاز</b>		
قيم الذبذبات الإجمالي (مجموع الكميات الموجهة في المحاور الثلاثة) محددة وفقا للمعايير الأوروبية EN 60745.		
9,4m/s <sup>2</sup> 1,5 m/s <sup>2</sup> 5,7m/s <sup>2</sup> 1,5 m/s <sup>2</sup>	9,4m/s <sup>2</sup> 1,5 m/s <sup>2</sup> 5,7m/s <sup>2</sup> 1,5 m/s <sup>2</sup>	جليخ الأسطح (Li-Ion 1,5 Ah): قيمة انبعاث الذبذبات a <sub>h,AG</sub> تجليخ بورقة تجليخ (Li-Ion 1,5 Ah): قيمة انبعاث الذبذبات a <sub>h,DS</sub>

بالنسبة للتطبيقات الأخرى، مثل عمليات القطع الكاشطة أو الفرشاة السلكية قد تحدث قيم ذبذبات أخرى.

### التحذير المتعلق بالاهتزاز!

تم قياس مستوى انبعاث الذبذبات الموجود بوثيقة المعلومات هذه وفقاً للاختبار القياسي وفقاً للمعايير الأوروبية EN 60745 ويمكن استخدامه لمقارنة جهاز بغيره. كما يمكن استخدامه لعرض تقييم تمهيدي. يمثل مستوى انبعاث الذبذبات المعلن عنه تطبيقات الجهاز الرئيسية. بالرغم من ذلك، فإنه إذا ما تم استخدام الجهاز لتطبيقات مختلفة، بملحقات مختلفة أو لم يتم المحافظة عليه، فقد يختلف انبعاث الذبذبات. قد يزيد ذلك بصورة كبيرة من مستوى التعرض للذبذبات طوال فترة العمل الإجمالية. يجب الوضع في الاعتبار عند تقدير مستوى التعرض للذبذبات مرات إيقاف الجهاز أو تشغيله لكن دون استخدامه في القيام بمهمة. فقد يقل ذلك بصورة كبيرة من مستوى التعرض للذبذبات طوال فترة العمل الإجمالية. تعرف على معايير السلامة الإضافية لحماية المشغل من آثار الذبذبات مثل: صيانة الجهاز والملحقات، الحفاظ على دواء الأيدي، وتنظيم نماذج العمل.

### تحذير!

اقرأ جميع تحذيرات السلامة وجميع التعليمات، بما فيها. قد يؤدي الفشل في مراعاة التحذيرات والتعليمات إلى التعرض للإصابة بصدمة كهربائية أو الحرق و/أو إصابة خطيرة. احتفظ بجميع التنبيهات والتعليمات للرجوع إليها مستقبلاً.

# AEG

## POWERTOOLS

[www.aeg-powertools.eu](http://www.aeg-powertools.eu)

(08.18)

4931 4256 03



**EAC**

Techtronic Industries GmbH  
Max-Eyth-Straße 10  
71364 Winnenden  
Germany