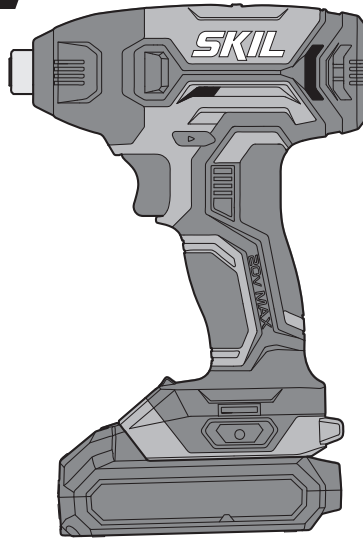


SKIL®



CORDLESS IMPACT DRIVER 3210 (SD1*3210**)



GB	ORIGINAL INSTRUCTIONS	7	UA	ОРИГІНАЛЬНА ІНСТРУКЦІЯ З ЕКСПЛУАТАЦІЇ	61
F	NOTICE ORIGINALE	9	GR	ΠΡΟΤΟΤΥΠΟ ΟΔΗΓΙΩΝ ΧΡΗΣΗΣ	65
D	ORIGINALBETRIEBSANLEITUNG	13	RO	INSTRUCȚIUNI DE FOLOSIRE ORIGINALE	69
NL	ORIGINELE GEBRUIKSAANWIJZING	17	BG	ОРИГИНАЛНО РЪКОВОДСТВО ЗА ЕКСПЛОАТАЦИЯ	72
S	BRUKSANVISNING I ORIGINAL	20	SK	PŮVODNÝ NÁVOD NA POUŽITIE	76
DK	ORIGINAL BRUGSANVISNING	23	HR	ORIGINALNE UPUTE ZA RAD	79
N	ORIGINAL BRUKSANVISNING	26	SRB	ORIGINALNO UPUTSTVO ZA RAD	82
FIN	ALKUPERÄISET OHJEET	29	SLO	IZVIRNA NAVODILA	86
E	MANUAL ORIGINAL	33	EST	ALGUPÄRANE KASUTUSJUHEND	89
P	MANUAL ORIGINAL	36	LV	ORIĢINĀLĀ LIETOŠANAS PAMĀCĪBA	92
I	ISTRUZIONI ORIGINALI	40	LT	ORIGINALI INSTRUKCIJA	95
H	EREDETI HASZNÁLATI UTASÍTÁS	43	MK	ИЗБОРНО УПАТСТВО ЗА РАБОТА	99
CZ	PŮVODNÍM NÁVODEM K POUŽÍVÁNÍ	47	AL	UDHËZIMET ORIGJINALE	102
TR	ORİJİNAL İŞLETME TALİMATI	50	AR	دليل الاستعمال	112
PL	INSTRUKCJA ORYGINALNA	53	FA	راهنمای اصلی	110
RU	ПОДЛИННИК РУКОВОДСТВА ПО ЭКСПЛУАТАЦИИ	56			



EAC



www.skil.com



<p>(GB) EU Declaration of conformity</p> <p>Cordless impact driver Article number</p>		<p>We declare under our sole responsibility that the stated products comply with all applicable provisions of the directives and regulations listed below and are in conformity with the following standards.</p> <p>Technical file at: ★</p>
<p>(F) Déclaration de conformité UE</p> <p>Visseuse à chocs sans-fil Numéro d'article</p>		<p>Nous déclarons sous notre propre responsabilité que les produits décrits sont en conformité avec les directives, règlements normatifs et normes énumérés ci-dessous.</p> <p>Dossier technique auprès de: ★</p>
<p>(D) EU-Konformitätserklärung</p> <p>Akku-Drehschlagschrauber Sachnummer</p>		<p>Wir erklären in alleiniger Verantwortung, dass die genannten Produkte allen einschlägigen Bestimmungen der nachfolgend aufgeführten Richtlinien und Verordnungen entsprechen und mit folgenden Normen übereinstimmen.</p> <p>Technische Unterlagen bei: ★</p>
<p>(NL) EU-conformiteitsverklaring</p> <p>Accu-slagschroevendraaier Productnummer</p>		<p>Wij verklaren op eigen verantwoordelijkheid dat de genoemde producten voldoen aan alle desbetreffende bepalingen van de hierna genoemde richtlijnen en verordeningen en overeenstemmen met de volgende normen.</p> <p>Technisch dossier bij: ★</p>
<p>(S) EU-konformitetsförklaring</p> <p>Sladdlös slagskruvdragare Produktnummer</p>		<p>Vi förklarar under eget ansvar att de nämnda produkterna uppfyller kraven i alla gällande bestämmelser i de nedan angivna direktiven och förordningarnas och att de stämmer överens med följande normer.</p> <p>Teknisk dokumentation: ★</p>
<p>(DK) EU-overensstemmelseserklæring</p> <p>Akku-slagskrætrækker Typenummer</p>		<p>Vi erklærer som eneansvarlige, at det beskrevne produkt er i overensstemmelse med alle gældende bestemmelser i følgende direktiver og forordninger og opfylder følgende standarder.</p> <p>Tekniske bilag ved: ★</p>
<p>(N) EU-samsvarserklæring</p> <p>Batteridrevet slagskrutrekker Produktnummer</p>		<p>Vi erklærer under eneansvar at de nevnte produktene er i overensstemmelse med alle relevante bestemmelser i direktivene og forordningene nedenfor og med følgende standarder.</p> <p>Teknisk dokumentasjon hos: ★</p>
<p>(FIN) EU-vaatimustenmukaisuusvakuutus</p> <p>Akkuisuruuvinväännin Tuotenumero</p>		<p>Vakuutamme täten, että mainitut tuotteet vastaavat kaikkia seuraavien direktiivien ja asetusten asiaankuuluvia vaatimuksia ja ovat seuraavien standardien vaatimusten mukaisia.</p> <p>Tekniset asiakirjat saatavana: ★</p>
<p>(E) Declaración de conformidad UE</p> <p>A tornillador de impacto a batería Número de artículo</p>		<p>Declaramos bajo nuestra exclusiva responsabilidad, que los productos nombrados cumplen con todas las disposiciones correspondientes de las directivas y los reglamentos mencionados a continuación y están en conformidad con las siguientes normas.</p> <p>Documentos técnicos de: ★</p>
<p>(P) Declaração de conformidade CE</p> <p>Aparafusadora de impacto sem fio Número do produto</p>		<p>Declaramos sob nossa exclusiva responsabilidade que os produtos mencionados cumprem todas as disposições e os regulamentos indicados e estão em conformidade com as seguintes normas.</p> <p>Documentação técnica pertencente à: ★</p>
<p>(I) Dichiarazione di conformità UE</p> <p>Avvitatore ad impulsi a batteria Codice prodotto</p>		<p>Dichiariamo sotto la nostra piena responsabilità che i prodotti indicati sono conformi a tutte le disposizioni pertinenti delle direttive e dei regolamenti elencati di seguito, nonché alle seguenti normative.</p> <p>Documentazione tecnica presso: ★</p>
<p>(H) EU konformitási nyilatkozat</p> <p>Akkus ütveszavarozó Cikkszám</p>		<p>Egyedüli felelőséggel kijelentjük, hogy a megnevezett termék megfelelnek az alábbiakban felsorolásra kerülő irányelvek és rendeletek valamennyi idevágó előírásainak és megfelelnek a következő szabványoknak.</p> <p>Műszaki dokumentumok megőrzési pontja: ★</p>
<p>(CZ) EU prohlášení o shodě</p> <p>Akumulátorový rázový šroubovák Objednáací číslo</p>		<p>Prohlašujeme na výhradní zodpovědnost, že uvedený výrobek splňuje všechna příslušná ustanovení níže uvedených směrnic a nařízení a je v souladu s následujícími normami.</p> <p>Technické podklady u: ★</p>
<p>(TR) AB Uygunluk beyanı</p> <p>Aküü darbali vidalama makinesi Ürün kodu</p>		<p>Tek sorumlu olarak, tanımlanan ürünün aşağıdaki yönetmelik ve direktiflerin geçerli bütün hükümlerine ve aşağıdaki standartlara uygun olduğunu beyan ederiz.</p> <p>Teknik belgelerin bulunduğu yer: ★</p>
<p>(PL) Deklaracja zgodności UE</p> <p>Akumulatorowa zakrętarka udarowa Numer katalogowy</p>		<p>Oświadczamy z pełną odpowiedzialnością, że niniejsze produkty odpowiadają wszystkim wymaganiom poniżej wyszczególnionych dyrektyw i rozporządzeń, oraz że są zgodne z następującymi normami.</p> <p>Dokumentacja techniczna: ★</p>
<p>(RU) Заявление о соответствии ЕС</p> <p>Аккумуляторный ударный шуруповерт Товарный номер</p>		<p>Мы заявляем под нашу единоличную ответственность, что названные продукты соответствуют всем действующим предписаниям нижеуказанных директив и распоряжений, а также нижеуказанных норм.</p> <p>Техническая документация хранится у: ★</p>
<p>(UA) Заява про відповідність ЄС</p> <p>Акумуляторний ударний шуруповерт Товарний номер</p>		<p>Мизаявляємо під нашу одноособову відповідальність, що названі вироби відповідають усім чинним положенням нищезначених директив і розпоряджень, а також нищезначеним нормам.</p> <p>Технічна документація зберігається у: ★</p>

<p>(GR) Δήλωση πιστότητας ΕΕ Παλμικό κατασβίδι μπαταρίας</p>	<p>Αριθμός ευρετηρίου</p>	<p>Δηλώνουμε με αποκλειστική μας ευθύνη, ότι τα αναφερόμενα προϊόντα αντιστοιχούν σε όλες τις σχετικές διατάξεις των πιο κάτω αναφερόμενων οδηγιών και κανονισμών και ταυτίζονται με τα ακόλουθα πρότυπα. Τεχνικά έγγραφα στη: *</p>
<p>(RO) Declarație de conformitate UE Șurubelnită cu impact cu acumulatori</p>	<p>Număr de identificare</p>	<p>Declarăm pe proprie răspundere că produsele menționate corespund tuturor dispozițiilor relevante ale directivei și regulamentărilor enumerate în cele ce urmează și sunt în conformitate cu următoarele standarde. Documentație tehnică la: *</p>
<p>(BG) ЕС декларация за съответствие Акумулаторен ударен гайковерт</p>	<p>Каталожен номер</p>	<p>С пълна отговорност ние декларираме, че посочените продукти отговарят на всички валидни изисквания на директивите и разпоредбите по-долу и съответства на следните стандарти. Техническа документация при: *</p>
<p>(SK) EU vyhlásenie o zhode Akumulátorový rázový skrutkovač</p>	<p>Vecné číslo</p>	<p>Vyhlasujeme na výhradnú zodpovednosť, že uvedený výrobok spĺňa všetky príslušné ustanovenia nižšie uvedených smerníc a nariadení a je v súlade s nasledujúcimi normami. Technické podklady má spoločnosť: *</p>
<p>(HR) EU izjava o sukladnosti Akumulatorski udarni odvijač</p>	<p>Kataloški broj</p>	<p>Pod punom odgovornošću izjavljujemo da navedeni proizvodi odgovaraju svim relevantnim odredbama direktiva i propisima navedenima u nastavku i da su sukladni sa sljedećim normama. Tehnička dokumentacija se može dobiti kod: *</p>
<p>(SRB) EU-izjava o usaglašenosti Akumulatorski udarni odvijač</p>	<p>Broj predmeta</p>	<p>Na sopstvenu odgovornost izjavljujemo, da navedeni proizvodi odgovaraju svim dotičnim odredbama naknadno navedenih smernica u uredaba i da su u skladu sa sledećim standardima. Tehnička dokumentacija kod: *</p>
<p>(SLO) Izjava o skladnosti ES Akumulatorski udarni vijačnik</p>	<p>Številka artikla</p>	<p>Izjavljamo pod izključno odgovornostjo, da je omenjen izdelek v skladu z vsemi relevantnimi določili direktiv in uredb ter ustreza naslednjim standardom. Tehnična dokumentacija pri: *</p>
<p>(EST) EL-vastavusdeklaratsioon Akulõkkruvikeeraja</p>	<p>Tootenumber</p>	<p>Kinnitame ainuvastutatajetena, et nimetatud tooted vastavad järgnevalt loetletud direktiivide ja määruste kõikidele asjaomastele nõuetele ja on kooskõlas järgmiste normidega. Tehnilised dokumendid saadaval: *</p>
<p>(LV) Deklarācija par atbilstību EK standartiem Akumulatora triecienskrūvgriezis</p>	<p>Izstrādājuma numurs</p>	<p>Mēs ar pilnu atbildību paziņojam, ka šeit aplūkotie izstrādājumi atbilst visiem tālāk minētajās direktīvās un rīkojumos ietvertajām saistošajām nostādņēm, kā arī sekojošiem standartiem. Tehniiskā dokumentācija no: *</p>
<p>(LT) ES atitikties deklaracija Akumuliatorinis smūginis suktuvas</p>	<p>Gaminio numeris</p>	<p>Atsakingai pareiškiame, kad išvardyti gaminiai atitinka visus privalomus žemiau nurodytų direktivų ir reglamentų reikalavimus ir šiuos standartus. Techninė dokumentacija saugoma: *</p>
<p>(MK) EU-Изјава за сообразност Ударен завртвач</p>	<p>Број на артикл</p>	<p>Со целосна одговорност изјавуваме, дека опишаните производи се во согласност со сите релевантни одредби на следните регулативи и прописи и се во согласност со следните норми. Техничка документација кај: *</p>
<p>(AL) EU Deklarata e konformitetit Vidator me çekiq me bateri</p>	<p>Numri i nenit</p>	<p>Ne deklarojmë me përgjegjësinë tonë të vetme se produktet e paraqitura janë në përputhje me të gjitha dispozitat e zbatueshme të direktivave dhe rregulloreve të listuara më poshtë dhe janë në përputhje me standardet si më poshtë. Dosja teknike në: *</p>
<p>3210</p>	<p>SD1*3210**</p>	<p>2006/42/EC 2014/30/EU 2011/65/EU</p> <p>EN 62841-1:2015 EN 62841-2-2:2014</p> <p>EN 55014-1:2006 + A1:2009 + A2:2011 EN 55014-2:2015</p> <p>EN 50581:2012</p>
		<p>SKIL^{®*} Skil BV Konijnenberg 62 4825 BD Breda The Netherlands</p> <p>Olaf Dijkgraaf Approval Manager</p>  <p>Skil BV, Konijnenberg 62, 4825BD Breda, The Netherlands 18.09.2018</p>

1

3210

20V Max
18
Volt

2,0 Ah
2,5 Ah
1,3 kg

4,0 Ah
5,0 Ah
1,6 kg

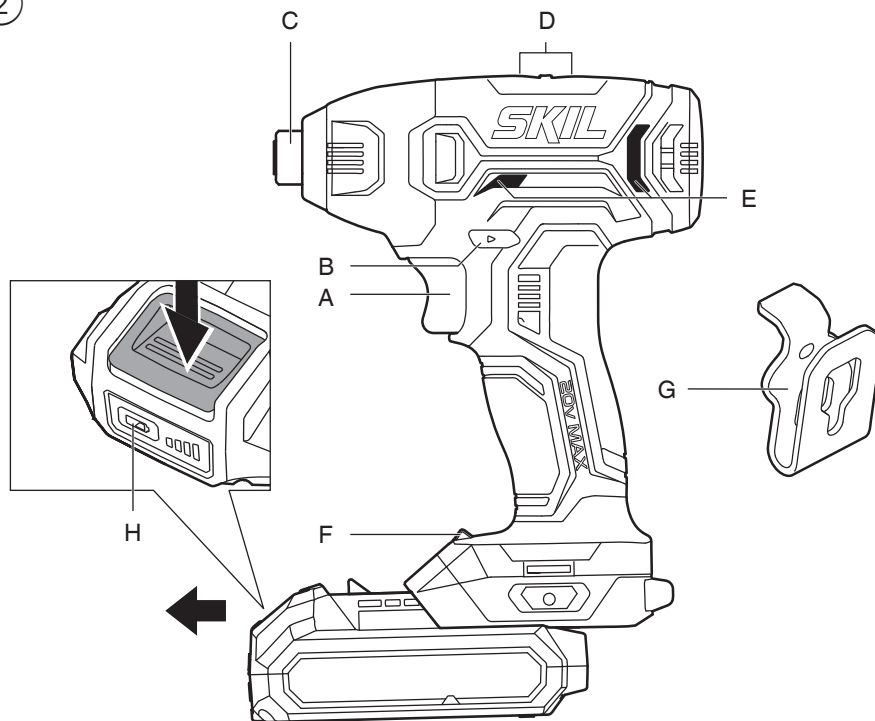
n_0
0-2500
/min

0-3200
p/min

1/4" hex

10mm

2



3



4

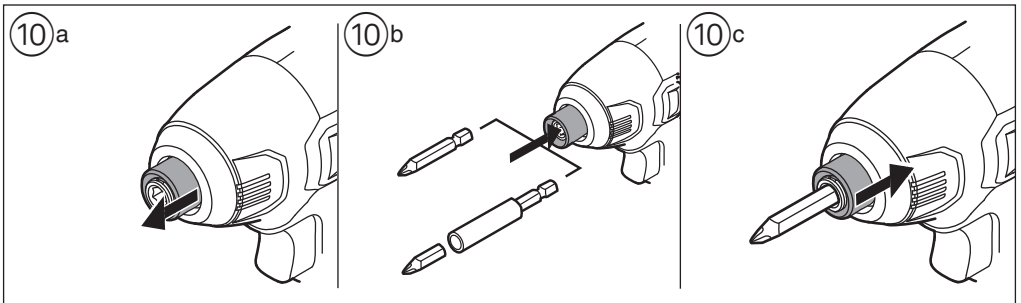
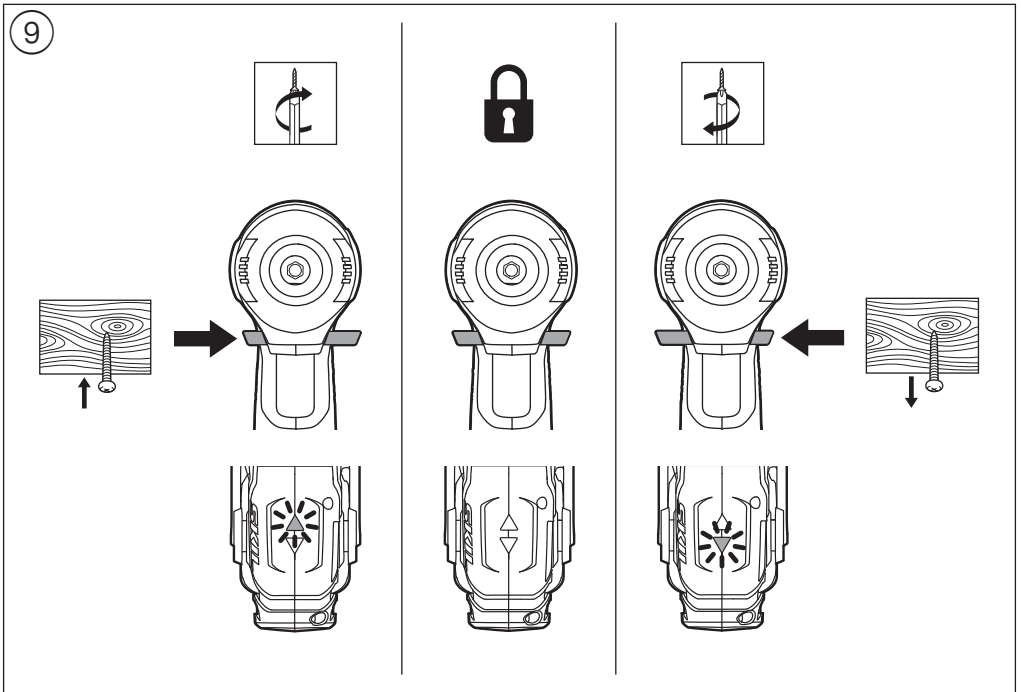
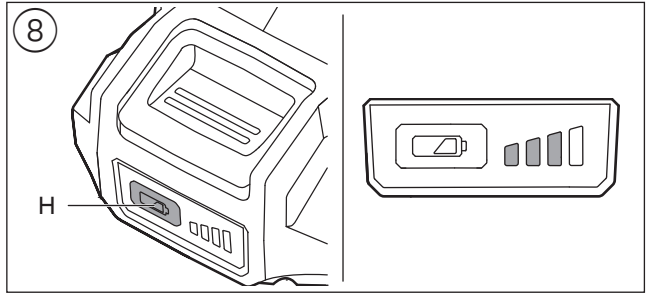
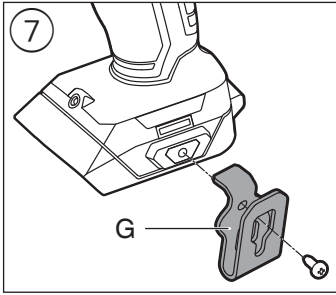


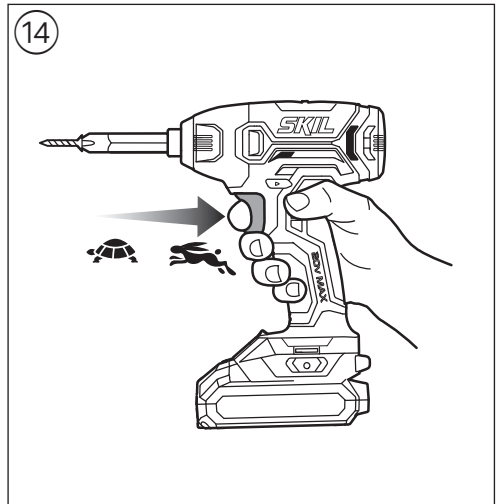
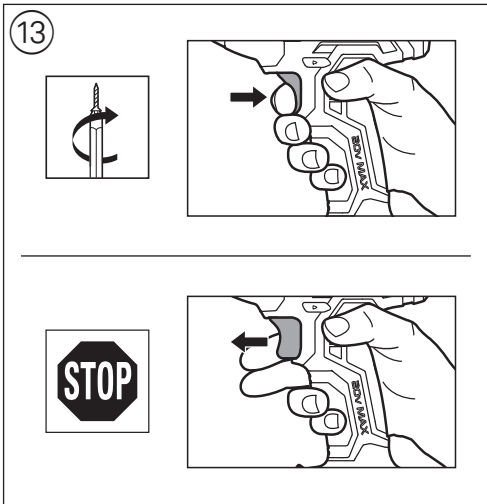
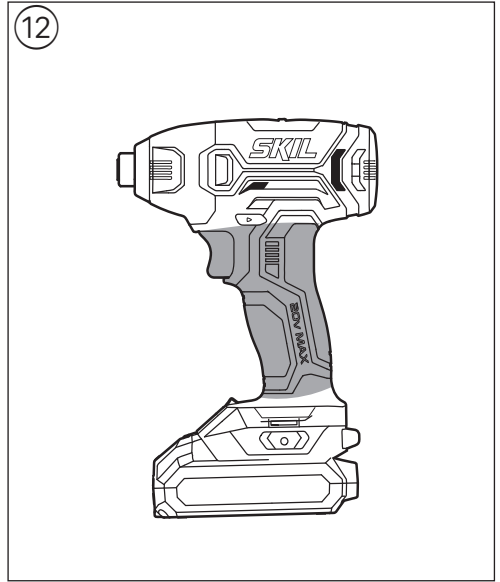
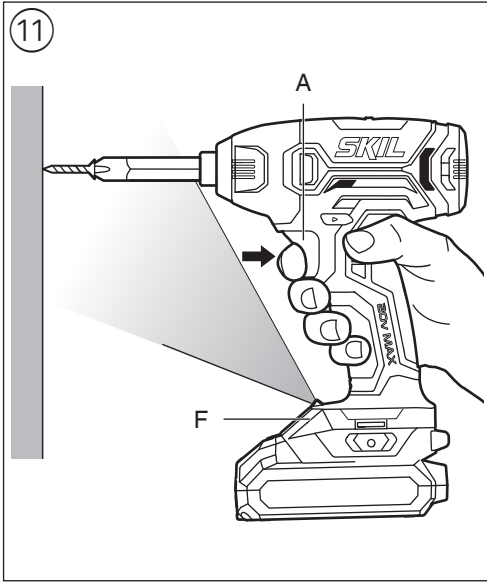
5



6







Cordless impact driver 3210

INTRODUCTION

- This tool is intended for driving in and loosening screws and bolts
- This tool is not intended for professional use
- Read and save this instruction manual ③

TECHNICAL DATA ①

Max. torque for hard screwdriving application according to ISO 5393 : 140Nm

TOOL ELEMENTS ②

- A Switch for on/off and speed control
- B Switch for changing direction of rotation
- C Locking sleeve
- D Indicator of selected direction of rotation
- E Ventilation slots
- F LED-light
- G Belt clip
- H Battery level indicator

SAFETY

GENERAL POWER TOOL SAFETY WARNINGS

⚠ WARNING Read all safety warnings, instructions, illustrations and specifications provided with this power tool. Failure to follow all instructions listed below may result in electric shock, fire and/or serious injury.

Save all warnings and instructions for future reference.

The term "power tool" in the warnings refers to your mains-operated (corded) power tool or battery-operated (cordless) power tool.

1) WORK AREA SAFETY

- a) **Keep work area clean and well lit.** Cluttered or dark areas invite accidents.
- b) **Do not operate power tools in explosive atmospheres, such as in the presence of flammable liquids, gases or dust.** Power tools create sparks which may ignite the dust or fumes.
- c) **Keep children and bystanders away while operating a power tool.** Distractions can cause you to lose control.

2) ELECTRICAL SAFETY

- a) **Power tool plugs must match the outlet. Never modify the plug in any way. Do not use any adapter plugs with earthed (grounded) power tools.** Unmodified plugs and matching outlets will reduce risk of electric shock.
- b) **Avoid body contact with earthed or grounded surfaces such as pipes, radiators, ranges and refrigerators.** There is an increased risk of electric shock if your body is earthed or grounded.
- c) **Do not expose power tools to rain or wet conditions.** Water entering a power tool will increase the risk of electric shock.

d) **Do not abuse the cord. Never use the cord for carrying, pulling or unplugging the power tool. Keep cord away from heat, oil, sharp edges or moving parts.** Damaged or entangled cords increase the risk of electric shock.

e) **When operating a power tool outdoors, use an extension cord suitable for outdoor use.** Use of a cord suitable for outdoor use reduces the risk of electric shock.

f) **If operating a power tool in a damp location is unavoidable, use a residual current device (RCD) protected supply.** Use of an RCD reduces the risk of electric shock.

3) PERSONAL SAFETY

a) **Stay alert, watch what you are doing and use common sense when operating a power tool. Do not use a power tool while you are tired or under the influence of drugs, alcohol or medication.** A moment of inattention while operating power tools may result in serious personal injury.

b) **Use personal protective equipment. Always wear eye protection.** Protective equipment such as a dust mask, non-skid safety shoes, hard hat, or hearing protection used for appropriate conditions will reduce personal injuries.

c) **Prevent unintentional starting. Ensure the switch is in the off-position before connecting to power source and/or battery pack, picking up or carrying the tool.** Carrying power tools with your finger on the switch or energising power tools that have the switch on invites accidents.

d) **Remove any adjusting key or wrench before turning the power tool on.** A wrench or a key left attached to a rotating part of the power tool may result in personal injury.

e) **Do not overreach. Keep proper footing and balance at all times.** This enables better control of the power tool in unexpected situations.

f) **Dress properly. Do not wear loose clothing or jewellery. Keep your hair and clothing away from moving parts.** Loose clothes, jewellery or long hair can be caught in moving parts.

g) **If devices are provided for the connection of dust extraction and collection facilities, ensure these are connected and properly used.** Use of dust collection can reduce dust-related hazards.

h) **Do not let familiarity gained from frequent use of tools allow you to become complacent and ignore tool safety principles.** A careless action can cause severe injury within a fraction of a second.

4) POWER TOOL USE AND CARE

a) **Do not force the power tool. Use the correct power tool for your application.** The correct power tool will do the job better and safer at the rate for which it was designed.

b) **Do not use the power tool if the switch does not turn it on and off.** Any power tool that cannot be controlled with the switch is dangerous and must be repaired.

c) **Disconnect the plug from the power source and/or remove the battery pack, if detachable, from the power tool before making any adjustments, changing accessories, or storing power tools.** Such preventive safety measures reduce the risk of starting the

power tool accidentally.

- d) **Store idle power tools out of the reach of children and do not allow persons unfamiliar with the power tool or these instructions to operate the power tool.** Power tools are dangerous in the hands of untrained users.
- e) **Maintain power tools and accessories. Check for misalignment or binding of moving parts, breakage of parts and any other condition that may affect the power tool's operation. If damaged, have the power tool repaired before use.** Many accidents are caused by poorly maintained power tools.
- f) **Keep cutting tools sharp and clean.** Properly maintained cutting tools with sharp cutting edges are less likely to bind and are easier to control.
- g) **Use the power tool, accessories and tool bits etc., in accordance with these instructions, taking into account the working conditions and the work to be performed.** Use of the power tool for operations different from those intended could result in a hazardous situation.
- h) **Keep handles and grasping surfaces dry, clean and free from oil and grease.** Slippery handles and grasping surfaces do not allow for safe handling and control of the tool in unexpected situations.

5) BATTERY TOOL USE AND CARE

- a) **Recharge only with the charger specified by the manufacturer.** A charger that is suitable for one type of battery pack may create a risk of fire when used with another battery pack.
- b) **Use power tools only with specifically designated battery packs.** Use of any other battery packs may create a risk of injury and fire.
- c) **When battery pack is not in use, keep it away from other metal objects like paper clips, coins, keys, nails, screws, or other small metal objects that can make a connection from one terminal to another.** Shorting the battery terminals together may cause burns or a fire.
- d) **Under abusive conditions, liquid may be ejected from the battery; avoid contact. If contact accidentally occurs, flush with water. If liquid contacts eyes, additionally seek medical help.** Liquid ejected from the battery may cause irritation or burns.
- e) **Do not use a battery pack or tool that is damaged or modified.** Damaged or modified batteries may exhibit unpredictable behaviour resulting in fire, explosion or risk of injury.
- f) **Do not expose a battery pack or tool to fire or excessive temperature.** Exposure to fire or temperature above 130°C may cause explosion.
- g) **Follow all charging instructions and do not charge the battery pack or tool outside the temperature range specified in the instructions.** Charging improperly or at temperatures outside the specified range may damage the battery and increase the risk of fire.
- 6) **SERVICE**
- a) **Have your power tool serviced by a qualified repair person using only identical replacement parts.** This will ensure that the safety of the power tool is maintained.
- b) **Never service damaged battery packs.** Service of battery packs should only be performed by the manufacturer or authorized service providers.

SAFETY INSTRUCTIONS FOR CORDLESS IMPACT DRIVERS

- **Hold the power tool by insulated gripping surfaces, when performing an operation where the fastener may contact hidden wiring** (fasteners contacting a "live" wire may make exposed metal parts of the power tool "live" and could give the operator an electric shock)

GENERAL

- Dust from material such as paint containing lead, some wood species, minerals and metal may be harmful (contact with or inhalation of the dust may cause allergic reactions and/or respiratory diseases to the operator or bystanders); **wear a dust mask and work with a dust extraction device when connectable**
- Certain kinds of dust are classified as carcinogenic (such as oak and beech dust) especially in conjunction with additives for wood conditioning; **wear a dust mask and work with a dust extraction device when connectable**
- Follow the dust-related national requirements for the materials you want to work with
- **Do not work materials containing asbestos** (asbestos is considered carcinogenic)
- Ensure that switch B ② is in the middle (locking) position before making any adjustments or changing accessories as well as when carrying or storing the tool

ACCESSORIES

- SKIL can assure flawless functioning of the tool only when original accessories are used
- Use only accessories with an allowable speed matching at least the highest no-load speed of the tool

BEFORE USE

- Avoid damage that can be caused by screws, nails and other elements in your workpiece; remove them before you start working
- **Secure the workpiece** (a workpiece clamped with clamping devices or in a vice is held more securely than by hand)
- **Use suitable detectors to find hidden utility lines or call the local utility company for assistance** (contact with electric lines can lead to fire or electrical shock; damaging a gas line can result in an explosion; penetrating a water pipe will cause property damage or an electrical shock)

BATTERIES

- **The battery supplied is partially charged** (to ensure full capacity of the battery, completely charge the battery in the battery charger before using your power tool for the first time)
- **Only use the following batteries and chargers with this tool**
 - SKIL battery: BR1*31****
 - SKIL charger: CR1*31****
- Do not use battery when damaged; it should be replaced immediately
- Do not disassemble the battery
- Do not expose tool/battery to rain
- Permitted ambient temperature (tool/charger/battery):
 - when charging 4...40°C
 - during operation -20...+50°C
 - during storage -20...+50°C

EXPLANATION OF SYMBOLS ON TOOL/BATTERY

- ③ Read the instruction manual before use
- ④ Batteries may explode when disposed of in fire, so do not burn battery for any reason

- ⑤ Store tool/charger/battery in locations where temperature will not exceed 50°C
- ⑥ Do not dispose of electric tools and batteries together with household waste material

USE

- Combined switch for on/off and speed control A ②
 - control the speed steplessly from zero to maximum by putting less or more pressure on the trigger A¹⁴
- Charging battery
 - ! **read the safety warnings and instructions provided with the charger**
- Removing/installing the battery ⑦
- Attaching belt clip ⑦
 - attach the belt clip G to the drill with the supplied screw.
- Battery level indicator ⑧
 - press the battery level indicator button H to show the current battery level.
- Changing direction of rotation ⑨
 - when not properly set in left/right position, switch A ② cannot be activated
 - ! **change direction of rotation only when tool is at a complete standstill**
- Changing bits ⑩
 - to remove a bit, pull the locking sleeve C forward ②
 - pull the locking sleeve C forward, insert the bit to the stop into the bit holder and release the locking sleeve C to lock the bit. ⑩a ⑩b ⑩c
 - ! **only use bits with ball catch, other bits can be used with a universal bit holder with ball catch ⑩b**
 - ! **do not use bits with a damaged shank**
- Battery protection
 - Switches off the tool or prevents the tool from being switched on, when
 - the load is too high
 - the battery temperature is not within the allowable operating temperature range of -20 to +50°C
 - the lithium-ion battery is nearly empty (to protect against deep discharge)
 - ! **do not continue to press the on/off switch after the tool is switched off automatically; battery may be damaged**
- LED-light F ⑪
 - LED-light F automatically lights on when activating switch A ①
- Holding and guiding the tool ⑫
 - ! **while working, always hold the tool at the grey-coloured grip area(s)**
 - keep ventilation slots E ② uncovered
 - do not apply too much pressure on the tool; let the tool do the work for you

APPLICATION ADVICE

- Use the appropriate bits ⑮
- When turning in a screw at/near the cross cut end or an edge of wood, pre-drill a hole in order to avoid cracking of the wood
- For an optimal use of the tool a steady pressure on the screw is required, especially while removing
- When screwdriving in hard wood one should pre-drill a hole
- For more information see www.skil.com

MAINTENANCE / SERVICE

- This tool is not intended for professional use
- Always keep tool clean (especially ventilation slots E ②)
 - ! **remove battery from tool before cleaning**
- If the tool should fail despite the care taken in manufacturing and testing procedures, repair should be carried out by an after-sales service centre for SKIL power tools
 - send the tool **undismantled** together with proof of purchase to your dealer or the nearest SKIL service station (addresses as well as the service diagram of the tool are listed on www.skil.com)
- Be aware that damage due to overload or improper handling of the tool will be excluded from the warranty (for the SKIL warranty conditions see www.skil.com or ask your dealer)

ENVIRONMENT

- **Do not dispose of electric tools, batteries, accessories and packaging together with household waste material** (only for EU countries)
 - in observance of European Directive 2012/19/EC on waste of electric and electronic equipment and its implementation in accordance with national law, electric tools that have reached the end of their life must be collected separately and returned to an environmentally compatible recycling facility
 - symbol ⑥ will remind you of this when the need for disposing occurs
- ! **prior to disposal protect battery terminals with heavy tape to prevent short-circuit**

NOISE / VIBRATION

- Measured in accordance with EN 62841 the sound pressure level of this tool is 94.5 dB(A) and the sound power level 105.5 dB(A) (uncertainty K = 3 dB), and the vibration 14.5 m/s² (triax vector sum; uncertainty K = 1.5 m/s²)
- The vibration emission level has been measured in accordance with a standardised test given in EN 62841; it may be used to compare one tool with another and as a preliminary assessment of exposure to vibration when using the tool for the applications mentioned
 - using the tool for different applications, or with different or poorly maintained accessories, may significantly **increase** the exposure level
 - the times when the tool is switched off or when it is running but not actually doing the job, may significantly **reduce** the exposure level
- ! **protect yourself against the effects of vibration by maintaining the tool and its accessories, keeping your hands warm, and organizing your work patterns**

F

**Visseuse à chocs
sans-fil**

3210

INTRODUCTION

- Cet outil est conçu pour serrer et desserrer des vis et des boulons

- Cet outil n'est pas conçu pour un usage professionnel
- Lisez et conservez ce manuel d'instruction ③

CARACTERISTIQUES TECHNIQUES ①

Couple max. vissage dur suivant ISO 5393 : 140Nm

ELEMENTS DE L'OUTIL ②

- A Interrupteur de marche/arrêt et réglage de vitesse
- B Commutateur pour inverser le sens de rotation
- C Douille de verrouillage
- D Indicateur du sens de rotation sélectionné
- E Fentes de ventilation
- F Voyant DEL
- G Agrafe de ceinture
- H Indicateur de niveau de charge de la batterie

SECURITE

AVERTISSEMENTS DE SECURITE GENERAUX POUR L'OUTIL ELECTRIQUE

AVERTISSEMENT Lisez tous les avertissements de sécurité, toutes les instructions, illustrations et caractéristiques fournies avec cet outil électrique. Le non-respect du suivi de toutes les instructions reprises ci-dessous peut provoquer un électrochoc, un incendie et/ou des blessures graves.

Conservez tous les avertissements et toutes les instructions pour pouvoir s'y reporter ultérieurement.

Le terme "outil électrique" dans les avertissements se rapporte à des outils électriques raccordés au secteur (avec câble de raccordement) et à des outils électriques à batterie (sans câble de raccordement).

1) SECURITE DE LA ZONE DE TRAVAIL

- a) **Maintenez l'endroit de travail propre et bien éclairé.** Un lieu de travail en désordre ou mal éclairé augmente le risque d'accidents.
- b) **N'utilisez pas l'outil électrique dans un environnement présentant des risques d'explosion et où se trouvent des liquides, des gaz ou poussières inflammables.** Les outils électriques génèrent des étincelles risquant d'enflammer les poussières ou les vapeurs.
- c) **Tenez les enfants et autres personnes éloignés durant l'utilisation de l'outil électrique.** En cas d'inattention vous risquez de perdre le contrôle sur l'outil électrique.

2) SECURITE RELATIVE AU SYSTEME ELECTRIQUE

- a) **La fiche de secteur de l'outil électrique doit être appropriée à la prise de courant. Ne modifiez en aucun cas la fiche. N'utilisez pas de fiches d'adaptateur avec des outils électriques avec mise à la terre.** Les fiches non modifiées et les prises de courant appropriées réduisent le risque de choc électrique.
- b) **Évitez le contact physique avec des surfaces mises à la terre telles que tuyaux, radiateurs, fours et réfrigérateurs.** Il y a un risque élevé de choc électrique au cas où votre corps serait relié à la terre.

- c) **N'exposez pas l'outil électrique à la pluie ou à l'humidité.** La pénétration d'eau dans un outil électrique augmente le risque d'un choc électrique.
- d) **N'utilisez pas le câble à d'autres fins que celles prévues, n'utilisez pas le câble pour porter l'outil électrique ou pour l'accrocher ou encore pour le débrancher de la prise de courant. Maintenez le câble éloigné des sources de chaleur, des parties grasses, des bords tranchants ou des parties de l'outil électrique en rotation.** Un câble endommagé ou torsadé augmente le risque d'un choc électrique.
- e) **Au cas où vous utiliseriez l'outil électrique à l'extérieur, utilisez une rallonge autorisée homologuée pour les applications extérieures.** L'utilisation d'une rallonge électrique homologuée pour les applications extérieures réduit le risque d'un choc électrique.

- f) **Si l'usage d'un outil dans un emplacement humide est inévitable, utilisez un disjoncteur de fuite à la terre.** L'utilisation d'un disjoncteur de fuite à la terre réduit le risque de choc électrique.

3) SECURITE DES PERSONNES

- a) **Restez vigilant, surveillez ce que vous faites. Faites preuve de bon sens en utilisant l'outil électrique. N'utilisez pas l'outil électrique lorsque vous êtes fatigué ou après avoir consommé de l'alcool, des drogues ou avoir pris des médicaments.** Un moment d'inattention lors de l'utilisation de l'outil électrique peut entraîner de graves blessures sur les personnes.
- b) **Portez des équipements de protection. Portez toujours des lunettes de protection.** Le fait de porter des équipements de protection personnels tels que masque anti-poussières, chaussures de sécurité antidérapantes, casque de protection ou protection acoustique suivant le travail à effectuer, réduit le risque de blessures.
- c) **Évitez tout démarrage intempestif. S'assurez que l'interrupteur est en position arrêt avant de brancher l'outil au secteur et/ou au bloc de batteries, de le ramasser ou de le porter.** Porter les outils en ayant le doigt sur l'interrupteur ou brancher des outils dont l'interrupteur est en position marche est source d'accidents.
- d) **Enlevez tout outil de réglage ou toute clé avant de mettre l'outil électrique en fonctionnement.** Une clé ou un outil se trouvant sur une partie en rotation peut causer des blessures.
- e) **Ne surestimez pas vos capacités. Veillez à garder toujours une position stable et équilibrée.** Ceci vous permet de mieux contrôler l'outil électrique dans des situations inattendues.
- f) **Portez des vêtements appropriés. Ne portez pas de vêtements amples ni de bijoux. Gardez les cheveux et les vêtements à distance des parties en mouvement.** Des vêtements amples, des bijoux ou des cheveux longs peuvent être happés par des pièces en mouvement.
- g) **Si des dispositifs servant à aspirer ou à recueillir les poussières doivent être utilisés, vérifiez que ceux-ci soient effectivement raccordés et qu'ils sont correctement utilisés.** L'utilisation des collecteurs de poussière réduit les dangers dus aux poussières.
- h) **Restez vigilant et ne pas négligez les principes**

de sécurité de l'outil sous prétexte que vous avez l'habitude de l'utiliser. Une fraction de seconde d'inattention peut provoquer une blessure grave.

4) UTILISATION ET EMPLOI SOIGNEUX DE L'OUTIL ELECTRIQUE

- a) **Ne surchargez pas l'outil électrique. Utilisez l'outil électrique approprié au travail à effectuer.** Avec l'outil électrique approprié, vous travaillerez mieux et avec plus de sécurité à la vitesse pour laquelle il est prévu.
 - b) **N'utilisez pas un outil électrique dont l'interrupteur est défectueux.** Un outil électrique qui ne peut plus être mis en ou hors fonctionnement est dangereux et doit être réparé.
 - c) **Débranchez la fiche de la source d'alimentation et/ou enlevez le bloc de batteries, s'il est amovible, avant tout réglage, changement d'accessoires ou avant de ranger l'outil électrique.** De telles mesures de sécurité préventives réduisent le risque de démarrage accidentel de l'outil électrique.
 - d) **Gardez les outils électriques non utilisés hors de portée des enfants. Ne permettez pas l'utilisation de l'outil électrique à des personnes qui ne se sont pas familiarisées avec celui-ci ou qui n'ont pas lu ces instructions.** Les outils électriques sont dangereux lorsqu'ils sont utilisés par des personnes non initiées.
 - e) **Observez la maintenance des outils électriques et des accessoires. Vérifiez que les parties en mouvement fonctionnent correctement et qu'elles ne soient pas coincées, et contrôlez si des parties sont cassées ou endommagées de telle sorte que le bon fonctionnement de l'outil électrique s'en trouve entravé. Faites réparer les parties endommagées avant d'utiliser l'outil électrique.** De nombreux accidents sont dus à des outils électriques mal entretenus.
 - f) **Maintenez les outils de coupe aiguisés et propres.** Des outils soigneusement entretenus avec des bords tranchants bien aiguisés se coincent moins souvent et peuvent être guidés plus facilement.
 - g) **Utilisez l'outil électrique, les accessoires, les outils à monter etc. conformément à ces instructions. Tenez compte également des conditions de travail et du travail à effectuer.** L'utilisation de l'outil électrique à d'autres fins que celles prévues peut entraîner des situations dangereuses.
 - h) **Il faut que les poignées et les surfaces de préhension restent sèches, propres et dépourvues d'huiles et de graisses.** Des poignées et des surfaces de préhension glissantes rendent impossibles la manipulation et le contrôle en toute sécurité de l'outil dans les situations inattendues.
- #### 5) UTILISATION ET EMPLOI SOIGNEUX DES APPAREILS SANS FIL
- a) **Ne chargez les accumulateurs que dans des chargeurs recommandés par le fabricant.** Un chargeur approprié à un type spécifique d'accumulateur peut engendrer un risque d'incendie lorsqu'il est utilisé avec d'autres accumulateurs.
 - b) **Dans les outils électriques, n'utilisez que les accumulateurs spécialement prévus pour celui-ci.** L'utilisation de tout autre accumulateur peut entraîner des blessures et des risques d'incendie.
 - c) **Tenez l'accumulateur non-utilisé à l'écart de toutes**

sortes d'objets métalliques tels qu'agrafes, pièces de monnaie, clés, clous, vis ou autres, étant donné qu'un pontage peut provoquer un court-circuit. Un court-circuit entre les contacts d'accu peut provoquer des brûlures ou un incendie.

- d) **En cas d'utilisation abusive, du liquide peut sortir de l'accumulateur. Evitez tout contact avec ce liquide. En cas de contact par mégarde, rincez soigneusement avec de l'eau. Au cas où le liquide rentrerait dans les yeux, consultez en plus un médecin.** Le liquide qui sort de l'accumulateur peut entraîner des irritations de la peau ou causer des brûlures.
 - e) **Ne pas utiliser un bloc de batteries ou un outil fonctionnant sur batteries qui a été endommagé ou modifié.** Les batteries endommagées ou modifiées peuvent avoir un comportement imprévisible provoquant un feu, une explosion ou un risque de blessure.
 - f) **Ne pas exposer un bloc de batteries ou un outil fonctionnant sur batteries au feu ou à une température excessive.** Une exposition au feu ou à une température supérieure à 130°C peut provoquer une explosion.
 - g) **Suivre toutes les instructions de charge et ne pas charger le bloc de batteries ou l'outil fonctionnant sur batteries hors de la plage de températures spécifiée dans les instructions.** Un chargement incorrect ou à des températures hors de la plage spécifiée de températures peut endommager la batterie et augmenter le risque de feu.
- #### 6) SERVICE
- a) **Ne faites réparer votre outil électrique que par un personnel qualifié et seulement avec des pièces de rechange d'origine.** Ceci permet d'assurer la sécurité de l'outil électrique.
 - b) **Ne jamais effectuer d'opération d'entretien sur des blocs de batteries endommagés.** Il convient que l'entretien des blocs de batteries ne soit effectué que par le fabricant ou les fournisseurs de service autorisés.

INSTRUCTIONS DE SÉCURITÉ POUR VISSEUSE À CHOCS SANS-FIL

- **Tenez l'outil par les surfaces de préhension isolées, lors de la réalisation d'une opération au cours de laquelle la vis peut entrer en contact avec un câblage non apparent** (le contact avec un fil sous tension peut également mettre sous tension les parties métalliques de l'outil électrique et provoquer un choc électrique sur l'opérateur)

GENERALITES

- La poussière de matériaux, tels que la peinture contenant du plomb, certaines espèces de bois, certains minéraux et différents métaux, peut être nocive (le contact avec la poussière ou son inhalation peut provoquer des réactions allergiques et/ou des maladies respiratoires chez l'opérateur ou des personnes se trouvant à proximité); **portez un masque antipoussières et travaillez avec un appareil de dépolluissage lorsqu'il est possible d'en connecter un**
- Certains types de poussières sont classifiés comme étant cancérogènes (tels que la poussière de chêne ou de hêtre), en particulier en combinaison avec des additifs de traitement du bois; **portez un masque antipoussières**

et travaillez avec un appareil de dépoussiérage lorsqu'il est possible d'en connecter un

- Suivez les directives nationales relatives au dépoussiérage pour les matériaux à travailler
- **Ne travaillez pas de matériaux contenant de l'amiante** (l'amiante est considérée comme étant cancérigène)
- Vérifiez que le commutateur B ② est en position moyen (de blocage) avant d'effectuer des réglages sur l'outil ou de changer des accessoires, ainsi qu'en transportant ou rangant l'outil

ACCESSOIRES

- SKIL ne peut se porter garant du bon fonctionnement de cet outil que s'il a été utilisé avec les accessoires d'origine
- La vitesse admissible des accessoires utilisées doit être au moins aussi élevée que la vitesse à vide maximale de l'outil

AVANT L'USAGE

- Faites attention aux vis, clous ou autres éléments qui pourraient se trouver dans la pièce à travailler et qui risqueraient d'endommager très fortement votre outil; enlevez-les avant de commencer le travail
- **Fixez solidement la pièce à travailler** (une pièce fixée à l'aide de dispositifs de fixation est davantage assurée que si elle était tenue à la main)
- **Utilisez des détecteurs appropriés afin de localiser la présence de conduites électriques ou bien s'adresser à la société locale de distribution** (un contact avec des lignes électriques peut provoquer un incendie et une décharge électrique; le fait d'endommager une conduite de gaz peut entraîner une explosion; le fait d'endommager une conduite d'eau peut entraîner des dégâts matériels ou causer une décharge électrique)

BATTERIES

- **La batterie fournie est partiellement chargée** (pour garantir la capacité totale de la batterie, chargez intégralement la batterie dans le chargeur de batterie avant d'utiliser l'outil à moteur pour la première fois)
- **Utilisez uniquement les batteries et les chargeurs suivants avec l'outil**
 - Batterie SKIL : BR1*31****
 - Chargeur SKIL : CR1*31****
- Ne pas utiliser la batterie lorsque celle-ci est endommagée; remplacez-la au plus vite
- Ne démontez pas la batterie
- N'exposez jamais l'outil/la batterie à la pluie
- Plage de températures autorisées (outil/chargeur/batterie):
 - pendant la charge 4...40°C
 - pendant le fonctionnement -20...+50°C
 - pour le stockage -20...+50°C

EXPLICATION DES SYMBOLES SUR L'OUTIL/LA BATTERIE

- ③ Veuillez lire le mode d'emploi avant d'utiliser l'outil
- ④ La batterie explosera si elle est jetée au feu - ne la brûlez en aucun cas
- ⑤ Rangez l'outil/le chargeur/la batterie dans des endroits où la température n'excède pas 50°C
- ⑥ Ne jetez pas les outils électriques et les piles dans les ordures ménagères

UTILISATION

- Interrupteur conjugué marche/arrêt-contrôle de la vitesse A ②
 - contrôle de la vitesse de zero au maximum en appuyant plus ou moins sur la gâchette A¹⁴
- Chargement de la batterie
 - ! **lisez les avertissements de sécurité et les instructions fournis avec le chargeur**
- Retirer/installer la batterie ②
- Attacher l'attache de ceinture ⑦
 - attachez l'attache de ceinture G à la perceuse à l'aide de la vis fournie.
- Indicateur de niveau de charge de la batterie ⑧
 - appuyez sur le bouton indicateur de niveau de charge de la batterie H pour afficher le niveau de charge actuel de la batterie.
- Inversion du sens de rotation ⑨
 - quand l'outil n'est pas réglé exactement sur la position gauche/droite, l'interrupteur A ② ne peut être mis en marche
 - ! **inversez uniquement le sens de rotation lorsque l'outil est à l'arrêt complet**
- Changement des embouts ⑩
 - pour retirer un embout, poussez la douille de verrouillage C vers l'avant ②
 - poussez la douille de verrouillage C vers l'avant, insérez l'embout dans le support d'embout et relâchez la douille de verrouillage C pour verrouiller l'embout. ⑩a ⑩b ⑩c
 - ! **Utilisez uniquement des embouts avec un loqueteau à billes, d'autres embouts peuvent être utilisés avec un support d'embout muni d'un loqueteau à billes ⑩b**
 - ! **ne pas utiliser des embouts avec une queue endommagée**
- Protection de la batterie
 - Éteint l'outil ou empêche l'outil de se mettre en marche, lorsque
 - la charge est trop élevée
 - la température de la batterie n'est pas située dans la plage de températures de fonctionnement autorisée de -20 à +50°C
 - la batterie lithium-ion est presque déchargée (pour empêcher qu'elle ne se décharge complètement)
 - ! **ne continuez pas à appuyer sur la commande marche/arrêt après l'arrêt automatique de l'outil; cela pourrait endommager la batterie**
- Voyant DEL F ⑪
 - La lampe LED F s'allume automatiquement quand l'interrupteur est activé A ①①
- Tenue et guidage de l'outil ⑫
 - ! **lorsque vous travaillez, tenez toujours l'outil par la(les) zone(s) de couleur grise**
 - veillez à ce que les fentes de ventilation E ② soient découvertes
 - ne pas appuyez trop fortement sur l'outil; laissez l'outil travailler pour vous

CONSEILS D'UTILISATION

- Utilisez les embouts appropriés ⑩⑤
- Quand vous devez visser une vis près d'une arête de

bois ou à la fin d'une coupe transversale, il est préférable de faire un avant-trou afin d'éviter de faire craquer le bois

- Pour un usage optimal de l'outil une pression constante sur la vise est nécessaire, spécialement durant dévisser
- Quand vous devez visser une vis au bois dur, il est préférable de faire un avant-trou
- Pour plus d'informations, voir www.skil.com

ENTRETIEN / SERVICE APRES-VENTE

- Cet outil n'est pas conçu pour un usage professionnel
- Maintenez toujours l'outil propre (surtout les fentes de ventilation) E ②)
 - ! retirez la batterie de l'outil avant de procéder au nettoyage
- Si, malgré tous les soins apportés à la fabrication et au contrôle de l'outil, celui-ci devait avoir un défaut, la réparation ne doit être confiée qu'à une station de service après-vente agréée pour outillage SKIL
 - retournez l'outil **non démonté** avec votre preuve d'achat au revendeur ou au centre de service après-vente SKIL le plus proche (les adresses ainsi que la vue éclatée de l'outil figurent sur www.skil.com)
- Veuillez noter que tout dégât causé par une surcharge ou une mauvaise utilisation de l'outil ne sera pas couvert par la garantie (pour connaître les conditions de la garantie SKIL, surfez sur www.skil.com ou adressez-vous à votre revendeur)

ENVIRONNEMENT

- **Ne jetez pas les outils électriques, les piles, les accessoires et l'emballage dans les ordures ménagères** (pour les pays européens uniquement)
 - conformément à la directive européenne 2012/19/EG relative aux déchets d'équipements électriques ou électroniques, et à sa transposition dans la législation nationale, les outils électriques usés doivent être collectés séparément et faire l'objet d'un recyclage respectueux de l'environnement
 - le symbole ③ vous le rappellera au moment de la mise au rebut de l'outil
- ! **avant d'envoyer les batteries au recyclage, pour éviter un éventuel court-circuit, il convient de revêtir les bornes d'un épais ruban adhésif isolant**



BRUIT / VIBRATION

- Mesurés selon EN 62841, le niveau de pression sonore de cet outil est de 94,5 dB(A), le niveau de puissance acoustique est de 105,5 dB(A) (incertitude K = 3 dB), et la vibration 14,5 m/s² (somme vectorielle triax ; incertitude K = 1,5 m/s²)
- Le niveau de vibrations émises a été mesuré conformément à l'essai normalisé de la norme EN 62841; il peut être utilisé pour comparer plusieurs outils et

pour réaliser une évaluation préliminaire de l'exposition aux vibrations lors de l'utilisation de l'outil pour les applications mentionnées

- l'utilisation de l'outil dans d'autres applications, ou avec des accessoires différents ou mal entretenus, peut considérablement **augmenter** le niveau d'exposition
- la mise hors tension de l'outil et sa non-utilisation pendant qu'il est allumé peuvent considérablement **réduire** le niveau d'exposition

! protégez-vous contre les effets des vibrations par un entretien correct de l'outil et de ses accessoires, en gardant vos mains chaudes et en structurant vos schémas de travail

D

Akku- DrehSchlagschrauber

3210

EINLEITUNG

- Dieses Werkzeug ist zum Eintreiben und Lösen von Schrauben und Bolzen bestimmt
- Dieses Werkzeug eignet sich nicht für den professionellen Einsatz
- Bitte diese Bedienungsanleitung sorgfältig lesen und aufbewahren ③

TECHNISCHE DATEN ①

Max. Drehmoment harter Schraubfall nach ISO 5393 : 140Nm

WERKZEUGKOMPONENTEN ②

- A Schalter zum Ein-Aus-Schalten und zur Drehzahlregelung
- B Schalter zum Umschalten der Drehrichtung
- C Verriegelungshülse
- D Anzeige Drehrichtung
- E Lüftungsschlitze
- F LED-Lampe
- G Gürtel-Clip
- H Akkuladearzeige

SICHERHEIT

ALLGEMEINE SICHERHEITSHINWEISE FÜR ELEKTROWERKZEUGE

⚠ WARNUNG Lesen Sie alle Sicherheitshinweise, Anweisungen, Abbildungen und technischen Daten dieses Elektrogeräts. Die Nichtbeachtung der nachfolgenden Anweisungen kann zu Stromschlägen, Bränden bzw. ernsthaften Verletzungen führen.

Bewahren Sie alle Sicherheitshinweise und Anweisungen für die Zukunft auf.

Der in den Sicherheitshinweisen verwendete Begriff "Elektrowerkzeug" bezieht sich auf netzbetriebene Elektrowerkzeuge (mit Netzkabel) und auf akkubetriebene Elektrowerkzeuge (ohne Netzkabel).

1) ARBEITSPLATZSICHERHEIT

- a) **Halten Sie Ihren Arbeitsbereich sauber und gut beleuchtet.** Unordnung oder unbeleuchtete Arbeitsbereiche können zu Unfällen führen.
- b) **Arbeiten Sie mit dem Elektrowerkzeug nicht in explosionsgefährdeter Umgebung, in der sich brennbare Flüssigkeiten, Gase oder Stäube befinden.** Elektrowerkzeuge erzeugen Funken, die den Staub oder die Dämpfe entzünden können.
- c) **Halten Sie Kinder und andere Personen während der Benutzung des Elektrowerkzeuges fern.** Bei Ablenkung können Sie die Kontrolle über das Elektrowerkzeug verlieren.

2) ELEKTRISCHE SICHERHEIT

- a) **Der Anschlussstecker des Elektrowerkzeuges muss in die Steckdose passen. Der Stecker darf in keiner Weise verändert werden. Verwenden Sie keine Adapterstecker gemeinsam mit schutzgeerdeten Elektrowerkzeugen.** Unveränderte Stecker und passende Steckdosen verringern das Risiko eines elektrischen Schlages.
- b) **Vermeiden Sie Körperkontakt mit geerdeten Oberflächen, wie von Rohren, Heizungen, Herden und Kühlschränken.** Es besteht ein erhöhtes Risiko durch elektrischen Schlag, wenn Ihr Körper geerdet ist.
- c) **Halten Sie das Elektrowerkzeug von Regen oder Nässe fern.** Das Eindringen von Wasser in ein Elektrogerät erhöht das Risiko eines elektrischen Schlages.
- d) **Zweckentfremden Sie das Kabel nicht, um das Elektrowerkzeug zu tragen, aufzuhängen oder um den Stecker aus der Steckdose zu ziehen. Halten Sie das Kabel fern von Hitze, Öl, scharfen Kanten oder sich bewegenden Elektrowerkzeugteilen.** Beschädigte oder verwickelte Kabel erhöhen das Risiko eines elektrischen Schlages.
- e) **Wenn Sie mit einem Elektrowerkzeug im Freien arbeiten, verwenden Sie nur Verlängerungskabel, die auch für den Außenbereich zugelassen sind.** Die Anwendung eines für den Außenbereich geeigneten Verlängerungskabels verringert das Risiko eines elektrischen Schlages.
- f) **Wenn der Betrieb des Elektrowerkzeuges in feuchter Umgebung nicht vermeidbar ist, verwenden Sie einen Fehlerstromschutzschalter.** Der Einsatz eines Fehlerstromschutzschalters vermindert das Risiko eines elektrischen Schlages.

3) SICHERHEIT VON PERSONEN

- a) **Seien Sie aufmerksam, achten Sie darauf, was Sie tun, und gehen Sie mit Vernunft an die Arbeit mit einem Elektrowerkzeug. Benutzen Sie das Elektrowerkzeug nicht, wenn Sie müde sind oder unter dem Einfluss von Drogen, Alkohol oder Medikamenten stehen.** Ein Moment der Unachtsamkeit beim Gebrauch des Elektrowerkzeuges kann zu ernsthaften Verletzungen führen.
- b) **Tragen Sie persönliche Schutzausrüstung und immer eine Schutzbrille.** Das Tragen persönlicher Schutzausrüstung, wie Staubmaske, rutschfeste Sicherheitsschuhe, Schutzhelm oder Gehörschutz, je nach Art und Einsatz des Elektrowerkzeuges, verringert das Risiko von Verletzungen.
- c) **Vermeiden Sie eine unbeabsichtigte**

- Inbetriebnahme. Vergewissern Sie sich, dass das Elektrowerkzeug ausgeschaltet ist, bevor Sie es an die Stromversorgung und/oder den Akku anschließen, es aufnehmen oder tragen.** Wenn Sie beim Tragen des Elektrowerkzeuges den Finger am Schalter haben oder das Elektrowerkzeug eingeschaltet an die Stromversorgung anschließen, kann dies zu Unfällen führen.
 - d) **Entfernen Sie Einstellwerkzeuge oder Schraubenschlüssel, bevor Sie das Elektrowerkzeug einschalten.** Ein Werkzeug oder Schlüssel, der sich in einem drehenden Elektrowerkzeugeteil befindet, kann zu Verletzungen führen.
 - e) **Überschätzen Sie sich nicht. Sorgen Sie für einen sicheren Stand und halten Sie jederzeit das Gleichgewicht.** Dadurch können Sie das Elektrowerkzeug in unerwarteten Situationen besser kontrollieren.
 - f) **Tragen Sie geeignete Kleidung. Tragen Sie keine weite Kleidung oder Schmuck. Halten Sie Haare und Kleidung fern von sich bewegenden Teilen.** Lockere Kleidung, Schmuck oder lange Haare können von sich bewegenden Teilen erfasst werden.
 - g) **Wenn Staubabsaug- und -auffangeinrichtungen montiert werden können, vergewissern Sie sich, dass diese angeschlossen sind und richtig verwendet werden.** Verwendung einer Staubabsaugung verringert Gefährdungen durch Staub.
 - h) **Wiegen Sie sich nicht in falscher Sicherheit und setzen Sie sich nicht über die Sicherheitsregeln für Elektrowerkzeuge hinweg, auch wenn Sie nach vielfachem Gebrauch mit dem Elektrowerkzeug vertraut sind.** Achtloses Handeln kann binnen Sekundenbruchteilen zu schweren Verletzungen führen.
- ### 4) SORGFÄLTIGER UMGANG UND GEBRAUCH VON ELEKTROWERKZEUGEN
- a) **Überlasten Sie das Elektrowerkzeug nicht. Verwenden Sie für Ihre Arbeit das dafür bestimmte Elektrowerkzeug.** Mit dem passenden Elektrowerkzeug arbeiten Sie besser und sicherer im angegebenen Leistungsbereich.
 - b) **Benutzen Sie kein Elektrowerkzeug, dessen Schalter defekt ist.** Ein Elektrowerkzeug, das sich nicht mehr ein- oder ausschalten lässt, ist gefährlich und muss repariert werden.
 - c) **Ziehen Sie den Stecker aus der Steckdose und/oder entfernen Sie einen abnehmbaren Akku, bevor Sie Geräteeinstellungen vornehmen, Zubehörteile wechseln oder das Elektrowerkzeug weglegen.** Diese Vorsichtsmaßnahme verhindert den unbeabsichtigten Start des Elektrowerkzeuges.
 - d) **Bewahren Sie unbenutzte Elektrowerkzeuge außerhalb der Reichweite von Kindern auf. Lassen Sie Personen das Elektrowerkzeug nicht benutzen, die mit diesem nicht vertraut sind oder diese Anweisungen nicht gelesen haben.** Elektrowerkzeuge sind gefährlich, wenn Sie von unerfahrenen Personen benutzt werden.
 - e) **Pflegen Sie Elektrowerkzeuge und Zubehör mit Sorgfalt. Kontrollieren Sie, ob bewegliche Elektrowerkzeugteile einwandfrei funktionieren und nicht klemmen, ob Teile gebrochen oder so beschädigt sind, dass die Funktion des**

Elektrowerkzeuges beeinträchtigt ist. Lassen Sie beschädigte Teile vor dem Einsatz des Elektrowerkzeuges reparieren. Viele Unfälle haben ihre Ursache in schlecht gewarteten Elektrowerkzeugen.

- f) **Halten Sie Schneidwerkzeuge scharf und sauber.** Sorgfältig gepflegte Schneidwerkzeuge mit scharfen Schneidkanten verklemmen sich weniger und sind leichter zu führen.
- g) **Verwenden Sie Elektrowerkzeug, Zubehör, Einsatzwerkzeuge usw. entsprechend diesen Anweisungen. Berücksichtigen Sie dabei die Arbeitsbedingungen und die auszuführende Tätigkeit.** Der Gebrauch von Elektrowerkzeugen für andere als die vorgesehenen Anwendungen kann zu gefährlichen Situationen führen.
- h) **Halten Sie Griffe und Griffflächen trocken, sauber und frei von Öl und Fett.** Rutschige Griffe und Griffflächen erlauben keine sichere Bedienung und Kontrolle des Elektrowerkzeuges in unvorhergesehenen Situationen.
- 5) SORGFÄLTIGER UMGANG UND GEBRAUCH VON AKKUGERÄTEN**
- a) **Laden Sie die Akkus nur in Ladegeräten auf, die vom Hersteller empfohlen werden.** Für ein Ladegerät, das für eine bestimmte Art von Akku geeignet ist, besteht Brandgefahr, wenn es mit anderen Akkus verwendet wird.
- b) **Verwenden Sie nur die dafür vorgesehenen Akkus in den Elektrowerkzeugen.** Der Gebrauch von anderen Akkus kann zu Verletzungen und Brandgefahr führen.
- c) **Halten Sie den nicht benutzten Akku fern von Büroklammern, Münzen, Schlüsseln, Nägeln, Schrauben oder anderen kleinen Metallgegenständen, die eine Überbrückung der Kontakte verursachen könnten.** Ein Kurzschluss zwischen den Akkukontakten kann Verbrennungen oder Feuer zur Folge haben.
- d) **Bei falscher Anwendung kann Flüssigkeit aus dem Akku austreten. Vermeiden Sie den Kontakt damit. Bei zufälligem Kontakt mit Wasser abspülen. Wenn die Flüssigkeit in die Augen kommt, nehmen Sie zusätzlich ärztliche Hilfe in Anspruch.** Austretende Akkuflüssigkeit kann zu Hautreizungen oder Verbrennungen führen.
- e) **Benutzen Sie keinen beschädigten oder veränderten Akku.** Beschädigte oder veränderte Akkus können sich unvorhersehbar verhalten und zu Feuer, Explosion oder Verletzungsgefahr führen.
- f) **Setzen Sie einen Akku keinem Feuer oder zu hohen Temperaturen aus.** Feuer oder Temperaturen über 130°C können eine Explosion hervorrufen.
- g) **Befolgen Sie alle Anweisungen zum Laden und laden Sie den Akku oder das Akkuwerkzeug niemals außerhalb des in der Betriebsanleitung angegebenen Temperaturbereichs.** Falsches Laden oder Laden außerhalb des zugelassenen Temperaturbereichs kann den Akku zerstören und die Brandgefahr erhöhen.
- 6) SERVICE**
- a) **Lassen Sie Ihr Elektrowerkzeug nur von qualifiziertem Fachpersonal und nur mit Original-Ersatzteilen reparieren.** Damit wird sichergestellt, dass die Sicherheit des Elektrowerkzeuges erhalten bleibt.

- b) **Warten Sie niemals beschädigte Akkus.** Sämtliche Wartung von Akkus sollte nur durch den Hersteller oder bevollmächtigte Kundendienststellen erfolgen.

SICHERHEITANWEISUNGEN FÜR AKKU-DREHSEKLAGSCHRAUBER

- **Halten Sie das Elektrowerkzeug an den isolierten Griffflächen, wenn Sie Arbeiten ausführen, bei denen die Schraube verborgene Stromleitungen treffen kann** (der Kontakt mit einer spannungsführenden Leitung kann auch Metallteile des Elektrowerkzeuges unter Spannung setzen und zu einem elektrischen Schlag führen)

ALLGEMEINES

- Staub von Materialien wie Farbe, die Blei enthält, einigen Holzarten, Mineralien und Metall kann schädlich sein (Kontakt mit oder Einatmen des Staubs kann zu allergischen Reaktionen und/oder Atemwegserkrankheiten beim Bediener oder Umstehenden führen); **tragen Sie eine Staubmaske und arbeiten Sie mit einem Staubabsaugungssystem, wenn ein solches angeschlossen werden kann**
- Bestimmte Arten von Staub sind als karzinogen klassifiziert (beispielsweise Eichen- und Buchenholzstaub), insbesondere in Verbindung mit Zusätzen für die Holzvorbehandlung; **tragen Sie eine Staubmaske und arbeiten Sie mit einem Staubabsaugungssystem, wenn ein solches angeschlossen werden kann**
- Beachten Sie die für Ihr verwendetes Verbrauchsmaterial gültigen nationalen Staubschutzvorgaben
- **Bearbeiten Sie kein asbesthaltiges Material** (Asbest gilt als krebserregend)
- Stellen Sie sicher dass Schalter B ② sich in der mittel- (Schluss-) Position befindet, bevor Sie Werkzeugeinstellungen vornehmen oder Zubehör wechseln, sowie beim Tragen oder Weglegen des Werkzeuges

ZUBEHÖR

- SKIL kann nur dann die einwandfreie Funktion des Werkzeuges zusichern, wenn Original-Zubehör verwendet wird
- Nur Zubehör verwenden, dessen zulässige Drehzahl mindestens so hoch ist wie die höchste Leerlaufdrehzahl des Werkzeuges

VOR DER ANWENDUNG

- Beschädigungen durch Schrauben, Nägel und ähnliches an Ihrem Werkstück melden; diese vor Arbeitsbeginn entfernen
- **Sichern Sie das Werkstück** (ein mit Spannvorrichtungen oder Schraubstock festgehaltenes Werkstück ist sicherer gehalten als mit der Hand)
- **Verwenden Sie geeignete Suchgeräte, um verborgene Versorgungsleitungen aufzuspüren, oder ziehen Sie die örtliche Versorgungsgesellschaft hinzu** (Kontakt mit Elektroleitungen kann zu Feuer und elektrischem Schlag führen; Beschädigung einer Gasleitung kann zur Explosion führen; Eindringen in eine Wasserleitung verursacht Sachbeschädigung oder kann einen elektrischen Schlag verursachen)

BATTERIEN

- **Der mitgelieferte Akku ist teilweise geladen** (um die volle Kapazität des Akkus nutzen zu können, laden Sie den Akku im Ladegerät vollständig auf, bevor Sie das

- Elektrowerkzeug zum ersten Mal verwenden)
- **Nur die mit diesem Werkzeug mitgelieferten Batterien und Ladegeräte verwenden**
 - SKIL-Batterie: BR1*31****
 - SKIL-Ladegerät: CR1*31****
- Beschädigte Batterien nicht weiter verwenden, sondern sofort ersetzen
- Die Batterie nicht auseinandernehmen
- Das Werkzeug/die Batterie niemals Regen aussetzen
- Erlaubte Umgebungstemperatur (Werkzeug/Ladegerät/Batterie):
 - beim Laden 4...40°C
 - beim Betrieb -20...+50°C
 - bei Lagerung -20...+50°

ERKLÄRUNG DER SYMBOLE AUF DEM WERKZEUG/ AKKU

- ③ Die Bedienungsanleitung vor dem Gebrauch lesen
- ④ Batterien werden bei Kontakt mit Feuer explodieren, die Batterien daher niemals verbrennen
- ⑤ Bewahren Sie das Werkzeug/Ladegerät/Batterie stets bei Raumtemperaturen unter 50°C auf
- ⑥ Elektrowerkzeuge und Batterien nicht in den Hausmüll werfen

BEDIENUNG

- Kombinationsschalter für Ein/Aus und Drehzahlregelung A ②
 - durch mehr oder weniger Druck auf den Schalter A ④ kann die Geschwindigkeit stufenlos von Null bis zur maximalen Drehzahl geregelt werden
- Aufladen des Akkus
- ! **Lesen Sie die mit dem Ladegerät gelieferten Sicherheitshinweise**
- Entfernen/Einlegen von Batterien ②
- Gürtel-Clip anbringen ⑦
 - Gürtel-Clip G mit der mitgelieferten Schraube am Bohrer anbringen.
- Akkuladeanzeige ⑧
 - Drücken Sie die auf die Batteriestandsanzeige-Taste H, um den aktuellen Batteriestand anzuzeigen.
- Umschalten der Drehrichtung ⑨
 - wenn die links/rechts Position nicht richtig einrastet, kann der Schalter A ② nicht betätigt werden
- ! **Drehrichtung nur dann umschalten, wenn das Werkzeug vollkommen stillsteht**
- Wechseln von Bits ⑩
 - zum Entfernen des Bohrers die Arretierhülse C nach vorne ② ziehen
 - Die Verriegelungshülse C nach vorne ziehen, den Bit bis zum Anschlag in den Bithalter einstecken und die Verriegelungshülse C loslassen, um den Bit zu verriegeln. ⑩a ⑩b ⑩c
- ! **nur Bits mit Kugerverschluss verwenden, andere Bits können mit einem Universal-Bithalter mit Kugerverschluss verwendet werden ⑩b**
- ! **keine Bits mit beschädigtem Schaft benutzen**
- Batterieschutz
 - Schaltet das Werkzeug aus oder verhindert, dass das Werkzeug eingeschaltet wird, wenn
 - das Werkzeug zu stark belastet wird
 - die Batterietemperatur nicht innerhalb der zulässigen Betriebstemperatur von -20 bis +50°C liegt
 - die Lithium-Ionen-Batterie ist fast leer (zum Schutz vor Tiefentladung)

! nach einer automatischen Ausschaltung des Werkzeugs nicht weiterhin auf den Ein-/Ausschalter drücken; der Akku kann beschädigt werden

- LED-Lampe F ⑪
 - LED-Licht F leuchtet automatisch bei Betätigung des Schalters A ①
- Halten und Führen des Werkzeuges ⑫
- ! **Werkzeug beim Arbeiten immer am grauen Griffbereich fassen**
 - Lüftungsschlitze E ② unbedeckt halten
 - nicht zuviel Druck auf das Werkzeug ausüben; lassen Sie das Werkzeug für Sie arbeiten

ANWENDUNGSHINWEISE

- Die entsprechenden Bits verwenden ⑬
- Beim Eindrehen einer Schraube am Ende oder Kopfstück eines Holzes sollte ein Loch vorgebohrt werden um ein Spalten des Holzes zu vermeiden
- Für einen optimalen Gebrauch des Werkzeuges ist ein ständiger Druck auf die Schraube notwendig, besonders während des Ausschraubens
- Beim Eindrehen einer Schraube in Hartholz sollte ein Loch vorgebohrt werden
- Für weitere Informationen verweisen wir auf www.skil.com

WARTUNG / SERVICE

- Dieses Werkzeug eignet sich nicht für den professionellen Einsatz
- Halten Sie das Werkzeug immer sauber (insbesondere die Lüftungsschlitze E ②)
- ! **Vor der Montage die Batterie aus dem Werkzeug entfernen**
- Sollte das Elektrowerkzeug trotz sorgfältiger Herstellungs- und Prüfverfahren einmal ausfallen, ist die Reparatur von einer autorisierten Kundendienststelle für SKIL-Elektrowerkzeuge ausführen zu lassen
 - das Werkzeug **unzerlegt**, zusammen mit dem Kaufbeleg, an den Lieferer oder die nächste SKIL-Vertragswerkstätte senden (die Anschriften so wie die Ersatzteilzeichnung des Werkzeuges finden Sie unter www.skil.com)
- Beachten Sie, dass ein falscher oder unsachgemäßer Gebrauch des Werkzeuges zum Erlöschen der Garantie führt (die SKIL-Garantiebedingungen finden Sie unter www.skil.com oder fragen Sie Ihren Händler)

UMWELT

- **Elektrowerkzeuge, Batterien, Zubehör und Verpackungen nicht in den Hausmüll werfen** (nur für EU-Länder)
 - gemäss Europäischer Richtlinie 2012/19/EG über Elektro- und Elektronik- Altgeräte und Umsetzung in nationales Recht müssen nicht mehr gebrauchsfähige Elektrowerkzeuge getrennt gesammelt und einer umweltgerechten Wiederverwertung zugeführt werden
 - hieran soll Sie Symbol ⑥ erinnern
- ! **bevor Sie die Batterie entsorgen, schützen Sie die Batterieenden mit einem schweren Band, um so Kriechströme zu vermeiden**

GERÄUSCH / VIBRATION

- Gemessen nach EN 62841 beträgt der Schalldruckpegel dieses Werkzeugs 94,5 dB(A) und der Schalleistungspegel 105,5 dB(A) (Unsicherheit K = 3 dB), und die Schwingung 14,5 (Triaxvektorsumme; Unsicherheit K = 1,5 m/s²)
 - Die Vibrationsemissionsstufe wurde mit einem standardisierten Test gemäß EN 62841 gemessen; Sie kann verwendet werden, um ein Werkzeug mit einem anderen zu vergleichen und als vorläufige Beurteilung der Vibrationsexposition bei Verwendung des Werkzeugs für die angegebenen Anwendungszwecke
 - die Verwendung des Werkzeugs für andere Anwendungen oder mit anderem oder schlecht gewartetem Zubehör kann die Expositionsstufe erheblich **erhöhen**
 - Zeiten, zu denen das Werkzeug ausgeschaltet ist, oder wenn es läuft aber eigentlich nicht eingesetzt wird, können die Expositionsstufe erheblich **verringern**
- ! schützen Sie sich vor den Auswirkungen der Vibration durch Wartung des Werkzeugs und des Zubehörs, halten Sie Ihre Hände warm und organisieren Sie Ihren Arbeitsablauf**

NL

Accu- slagschroevendraaier

3210

INTRODUCTIE

- Deze machine is bedoeld voor het aandraaien en losdraaien van schroeven en bouten
- Deze machine is niet bedoeld voor professioneel gebruik
- Lees en bewaar deze gebruiksaanwijzing ③

TECHNISCHE GEGEVENS ①

Max. draaimoment bij harde schroefverbinding volgens ISO 5393 : 140Nm

MACHINE-ELEMENTEN ②

- A Schakelaar voor aan/uit en toerentalregeling
- B Knop voor omschakelen van draairichting
- C Vergrendelingshuls
- D Indicatie van gekozen draairichting
- E Ventilatie-openingen
- F LED-lampje
- G Riemclip
- H Batterijniveau-indicator

VEILIGHEID

ALGEMENE VEILIGHEIDSWAARSCHUWINGEN VOOR ELEKTRISCHE GEREEDSCHAPPEN

⚠ WAARSCHUWING Lees alle veiligheidswaarschuwingen, instructies, afbeeldingen en specificaties die met dit elektrische gereedschap zijn meegeleverd. Het niet volgen van alle hieronder genoemde instructies kan elektrische schokken, brand en/of ernstig letsel tot gevolg hebben.

Bewaar alle waarschuwingen en voorschriften voor toekomstig gebruik.

Het in de waarschuwingen gebruikte begrip "elektrisch gereedschap" heeft betrekking op elektrische gereedschappen voor gebruik op het stroomnet (met netsnoer) en op elektrische gereedschappen voor gebruik met een accu (zonder netsnoer).

1) VEILIGHEID VAN DE WERKOMGEVING

- Houd uw werkomgeving schoon en opgeruimd.** Een rommelige of onverlichte werkomgeving kan tot ongevallen leiden.
- Werk met het gereedschap niet in een omgeving met explosiegevaar waarin zich brandbare vloeistoffen, gassen of stof bevinden.** Elektrische gereedschappen veroorzaken vonken die het stof of de dampen tot ontsteking kunnen brengen.
- Houd kinderen en andere personen tijdens het gebruik van het elektrische gereedschap uit de buurt.** Wanneer u wordt afgeleid, kunt u de controle over het gereedschap verliezen.

2) ELEKTRISCHE VEILIGHEID

- De aansluitstekker van het gereedschap moet in het stopcontact passen. De stekker mag in geen geval worden veranderd. Gebruik geen adapterstekkers in combinatie met geaarde gereedschappen.** Onveranderde stekkers en passende stopcontacten beperken het risico van een elektrische schok.
 - Voorkom aanraking van het lichaam met geaarde oppervlakken, bijvoorbeeld van buizen, verwarmingen, fornuizen en koelkasten.** Er bestaat een verhoogd risico door een elektrische schok wanneer uw lichaam geaard is.
 - Houd het gereedschap uit de buurt van regen en vocht.** Het binnendringen van water in het elektrische gereedschap vergroot het risico van een elektrische schok.
 - Gebruik de kabel niet voor een verkeerd doel, om het gereedschap te dragen of op te hangen of om de stekker uit het stopcontact te trekken. Houd de kabel uit de buurt van hitte, olie, scherpe randen en bewegende gereedschapsdelen.** Beschadigde of in de war geraakte kabels vergroten het risico van een elektrische schok.
 - Wanneer u buitenshuis met elektrisch gereedschap werkt, dient u alleen verlengkabels te gebruiken die voor gebruik buitenshuis zijn goedgekeurd.** Het gebruik van een voor gebruik buitenshuis geschikte verlengkabel beperkt het risico van een elektrische schok.
 - Als het gebruik van het elektrische gereedschap in een vochtige omgeving onvermijdelijk is, dient u een aardlekschakelaar te gebruiken.** Het gebruik van een aardlekschakelaar vermindert het risico van een elektrische schok.
- #### 3) PERSOONLIJKE VEILIGHEID
- Wees alert, let goed op wat u doet en ga met verstand te werk bij het gebruik van het elektrische gereedschap. Gebruik het gereedschap niet wanneer u moe bent of onder invloed staat van drugs, alcohol of medicijnen.** Een moment van onoplettendheid bij het gebruik van het gereedschap kan

- tot ernstige verwondingen leiden.
- b) **Draag persoonlijke beschermende uitrusting en altijd een veiligheidsbril.** Het dragen van persoonlijke beschermende uitrusting zoals een stofmasker, slipvaste werkschoenen, een veiligheidshelm of gehoorbescherming, afhankelijk van de aard en het gebruik van het elektrische gereedschap, vermindert het risico van verwondingen.
 - c) **Voorkom per ongeluk inschakelen. Controleer dat het elektrische gereedschap uitgeschakeld is voordat u de stekker in het stopcontact steekt of de accu aansluit en voordat u het gereedschap oppakt of draagt.** Wanneer u bij het dragen van het elektrische gereedschap uw vinger aan de schakelaar hebt of wanneer u het gereedschap ingeschakeld op de stroomvoorziening aansluit, kan dit tot ongevallen leiden.
 - d) **Verwijder instelgereedschappen of schroefslutels voordat u het gereedschap inschakelt.** Een instelgereedschap of sleutel in een draaiend deel van het gereedschap kan tot verwondingen leiden.
 - e) **Probeer niet ver te reiken. Zorg ervoor dat u stevig staat en steeds in evenwicht blijft.** Daardoor kunt u het gereedschap in onverwachte situaties beter onder controle houden.
 - f) **Draag geschikte kleding. Draag geen loshangende kleding of sieraden. Houd haren en kleding uit de buurt van bewegende delen.** Loshangende kleding, sieraden en lange haren kunnen door bewegende delen worden meegenomen.
 - g) **Wanneer stofafzuigings- of stofopvangvoorzieningen kunnen worden gemonteerd, dient u zich ervan te verzekeren dat deze zijn aangesloten en juist worden gebruikt.** Het gebruik van een stofafzuiging beperkt het gevaar door stof.
 - h) **Ondanks het feit dat u eventueel heel goed vertrouwd bent met het gebruik van gereedschappen, moet u ervoor zorgen dat u niet nonchalant wordt en veiligheidsvoorschriften voor het gereedschap gaat negeren.** Een onoplettende handeling kan binnen een fractie van een seconde ernstig letsel veroorzaken.
- #### 4) GEBRUIK EN ONDERHOUD VAN ELEKTRISCHE GEREEDSCHAPPEN
- a) **Overbelast het gereedschap niet. Gebruik voor uw werkzaamheden het daarvoor bestemde elektrische gereedschap.** Met het passende elektrische gereedschap werkt u beter en veiliger binnen het aangegeven capaciteitsbereik.
 - b) **Gebruik geen elektrische gereedschap waarvan de schakelaar defect is.** Elektrisch gereedschap dat niet meer kan worden in- of uitgeschakeld, is gevaarlijk en moet worden gerepareerd.
 - c) **Trek de stekker uit het stopcontact en/of neem de accu (indien uitneembaar) uit het elektrische gereedschap voordat u het elektrische gereedschap instelt, accessoires wisselt of het elektrische gereedschap opbergt.** Deze voorzorgsmaatregel voorkomt onbedoeld starten van het elektrische gereedschap.
 - d) **Bewaar niet-gebruikte elektrische gereedschappen buiten bereik van kinderen. Laat het gereedschap niet gebruiken door personen die er niet mee vertrouwd zijn en deze aanwijzingen niet hebben gelezen.** Elektrische gereedschappen zijn gevaarlijk wanneer deze door onervaren personen worden gebruikt.
 - e) **Verzorg het gereedschap zorgvuldig. Controleer of bewegende delen van het gereedschap correct functioneren en niet vastklemmen en of onderdelen zodanig gebroken of beschadigd zijn dat de werking van het gereedschap nadelig wordt beïnvloed. Laat beschadigde delen repareren voordat u het gereedschap gebruikt.** Veel ongevallen hebben hun oorzaak in slecht onderhouden elektrische gereedschappen.
 - f) **Houd snijdende inzetgereedschappen scherp en schoon.** Zorgvuldig onderhouden snijdende inzetgereedschappen met scherpe snijkanten klemmen minder snel vast en zijn gemakkelijker te geleiden.
 - g) **Gebruik elektrische gereedschappen, toebehoren, inzetgereedschappen en dergelijke volgens deze aanwijzingen. Let daarbij op de arbeidsomstandigheden en de uit te voeren werkzaamheden.** Het gebruik van elektrische gereedschappen voor andere dan de voorziene toepassingen kan tot gevaarlijke situaties leiden.
 - h) **Houd handgrepen en greepvlakken droog, schoon en vrij van olie en vet.** Gladde handgrepen en greepvlakken verhinderen dat het gereedschap in onverwachte situaties veilig kan worden gehanteerd en bediend.
- #### 5) GEBRUIK EN ONDERHOUD VAN ACCUGEREEDSCHAPPEN
- a) **Laad accu's alleen op in opladers die door de fabrikant worden geadviseerd.** Voor een oplader die voor een bepaald type accu geschikt is, bestaat brandgevaar wanneer deze met andere accu's wordt gebruikt.
 - b) **Gebruik alleen de daarvoor bedoelde accu's in de elektrische gereedschappen.** Het gebruik van andere accu's kan tot verwondingen en brandgevaar leiden.
 - c) **Voorkom aanraking van de niet-gebruikte accu met paperclips, munten, sleutels, spijkers, schroeven en andere kleine metalen voorwerpen die overbrugging van de contacten kunnen veroorzaken.** Kortsluiting tussen de accucontacten kan brandwonden of brand tot gevolg hebben.
 - d) **Bij verkeerd gebruik kan vloeistof uit de accu lekken. Voorkom contact. Spoel bij onvoorzien contact met water af. Wanneer de vloeistof in de ogen komt, dient u bovendien een arts te raadplegen.** Gelekte accuvloeistof kan tot huidirritaties en verbrandingen leiden.
 - e) **Gebruik accu of gereedschap niet, als deze beschadigd of veranderd zijn.** Beschadigde of veranderde accu's kunnen onvoorspelbaar gedrag vertonen, waardoor een brand, explosie of het gevaar van letsel kan ontstaan.
 - f) **Stel accu of gereedschap niet bloot aan vuur of overmatige temperaturen.** Blootstelling aan vuur of temperaturen boven 130°C kan een explosie veroorzaken.
 - g) **Volg alle aanwijzingen voor het laden en laad de accu of het gereedschap niet buiten het temperatuurbereik dat in de aanwijzingen is vermeld.** Verkeerd laden of laden bij temperaturen buiten het vastgelegde bereik kan de accu beschadigen en het risico van brand vergroten.

6) SERVICE

- a) **Laat het gereedschap alleen repareren door gekwalificeerd en vakkundig personeel en alleen met originele vervangingsonderdelen.** Daarmee wordt gewaarborgd dat de veiligheid van het gereedschap in stand blijft.
- b) **Voer nooit servicewerkzaamheden aan beschadigde accu's uit.** Service van accu's dient uitsluitend te worden uitgevoerd door de fabrikant of erkende servicewerkplaatsen.

VEILIGHEIDSVOORSCHRIFTEN VOOR ACCU-SLAGSCHROEVENDRAAIERS

- **Houd het elektrische gereedschap aan de geïsoleerde greepvlakken vast als u werkzaamheden uitvoert waarbij de schroef verborgen stroomleidingen kan raken** (contact met een onder spanning staande leiding kan ook metalen delen van het elektrische gereedschap onder spanning zetten en tot een elektrische schok leiden)

ALGEMEEN

- Stof van materiaal zoals loodhoudende verf, sommige houtsoorten, mineralen en metaal kunnen schadelijk zijn (contact met of inademing van de stof kan allergische reacties en/of ademhalingsziekten bij gebruiker of omstanders veroorzaken); **draag een stofmasker en werk met een stofopvang-voorziening als die kan worden aangesloten**
- Bepaalde soorten stof zijn geclassificeerd als kankerverwekkend (zoals stof van eiken en beuken), met name in combinatie met toevoegingsmiddelen voor houtverzorging; **draag een stofmasker en werk met een stofopvang-voorziening als die kan worden aangesloten**
- Neem voor de door u te bewerken materialen de nationale voorschriften aangaande stofopvang in acht
- **Bewerk geen asbesthoudend materiaal** (asbest geldt als kankerverwekkend)
- Zorg ervoor, dat knop B ② in de midden- (blokkeer-) positie staat, vóórdat u de machine instelt of accessoires verwisselt, en ook wanneer u de machine draagt of opbergt

ACCESSOIRES

- SKIL kan alleen een correcte werking van de machine garanderen, indien originele accessoires worden gebruikt
- Gebruik alleen accessoires met een toegestaan toerental, dat minstens even hoog is als het hoogste onbelaste toerental van de machine

VOÓR GEBRUIK

- Voorkom schade, die kan ontstaan door schroeven, spijkers en andere voorwerpen in uw werkstuk; verwijder deze, voordat u aan een karwei begint
- **Zet het werkstuk vast** (een werkstuk, dat is vastgezet met klemmen of in een bankschroef, zit steviger vast dan wanneer het met de hand wordt vastgehouden)
- **Gebruik een geschikt detectieapparaat om verborgen stroom-, gas- of waterleidingen op te sporen of raadpleeg het plaatselijke energie- of waterleidingbedrijf** (contact met elektrische leidingen kan tot brand of een elektrische schok leiden; beschadiging van een gasleiding kan tot een explosie leiden; breuk van een waterleiding veroorzaakt materiële schade en kan tot een elektrische schok leiden)

BATTERIJEN

- **De geleverde batterij is deels opgeladen** (om een volledige capaciteit van de batterij te garanderen, moet u de batterij volledig opladen in de oplader voordat u uw elektrische gereedschap voor de eerste keer gebruikt)
- **Gebruik uitsluitend de volgende batterijen en opladers voor deze machine**
 - SKIL-batterij: BR1*31****
 - SKIL-oplader: CR1*31****
- Gebruik de batterij niet, wanneer deze beschadigd is; vervang deze onmiddellijk
- Haal de batterij niet uit elkaar
- Stel machine/batterij niet bloot aan regen
- Toegestane omgevingstemperatuur (machine/oplader/batterij):
 - bij het laden 4...40°C
 - bij het gebruik -20...+50°C
 - bij opslag -20...+50°C

UITLEG VAN SYMBOLEN OP MACHINE/BATTERIJ

- ③ Lees de gebruiksaanwijzing vóór gebruik
- ④ Batterijen exploderen als zij in vuur worden gegooid, dus verbrand de batterij in geen geval
- ⑤ Bewaar de machine/oplader/batterij op een plaats, waar de temperatuur niet hoger dan 50°C kan worden
- ⑥ Geef elektrisch gereedschap en batterijen niet met het huisvuil mee

GEBRUIK

- Gecombineerde schakelaar voor aan/uit en toerentalregeling A ②
 - regel het toerental traploos van 0 tot maximum door de schakelaar A ④ dieper in te drukken
- Opladen batterij
 - ! lees de veiligheids waarschuwingen en -voorschriften die bij de oplader worden geleverd
- Verwijderen/installeren van de batterij ②
- Bevestigen van de riemclip ⑦
 - bevestig de riemclip G aan de boor met de geleverde schroef.
- Batterijniveau-indicator ⑧
 - druk op de batterijniveau-indicator knop H om het huidige batterijniveau aan te geven.
- Omschakelen van draairichting ⑨
 - als de omkeerschakelaar niet in de uiterste stand op links/rechts staat, kan schakelaar A ② niet ingedrukt worden
 - ! schakel de draairichting alleen om als de machine volledig stilstaat
- Vervisselen van bits ⑩
 - voor het verwijderen van een bit, trek u de vergrendelingshuls C naar voren ②
 - trek de vergrendelingshuls C naar voren, breng de bit tot de aanslag in de bithouder en ontgrendel de vergrendelingshuls C om de bit te vergrendelen. ⑩a ⑩b ⑩c
 - ! gebruik uitsluitend bits met snapslot, overige bits kunnen worden gebruikt met een universele bithouder met snapslot ⑩b
 - ! gebruik geen bits met een beschadigde schacht
- Batterijbescherming
 - Schakelt de machine uit of voorkomt dat de machine wordt aangezet, wanneer
 - de belasting te hoog is
 - de batterijtemperatuur ligt niet binnen het toegestane

bedrijfstemperatuurbereik van -20 tot +50°C

- de lithium-ionbatterij bijna leeg is (ter bescherming tegen diepe ontlading)

! blijf niet op de aan/uit-schakelaar drukken nadat de machine automatisch is uitgeschakeld; de batterij kan beschadigd worden

- LED-lampje F ¹¹
- LED-lamp F gaat automatisch branden bij het activeren van schakelaar A ¹¹
- Vasthouden en leiden van de machine ¹²
- ! houd de machine tijdens het werk altijd vast bij het(de) grijs-gekleurde greepvlak(ken)**
- houd ventilatie-openingen E ² onbedekt
- oefen niet te veel druk uit; laat de machine het werk voor u doen

TOEPASSINGSADVIES

- Gebruik de juiste bits ¹⁵
- Altijd een gat voorboren bij het schroeven in/vlakbij de kopse- of zijkant van hout
- Voor een optimaal gebruik van uw machine is het nodig stevig op de schroef te drukken, met name bij uitdraaien
- Voor het indraaien van schroeven in hard hout dient een gat voorgeboord te worden
- Voor meer informatie zie www.skil.com

ONDERHOUD / SERVICE

- Deze machine is niet bedoeld voor professioneel gebruik
- Houd machine altijd schoon (met name de ventilatie-openingen E ²)
- ! verwijder vóór het reinigen de batterij uit de machine**
- Mocht het elektrische gereedschap ondanks zorgvuldige fabricage- en testmethoden toch defect raken, dient de reparatie te worden uitgevoerd door een erkende klantenservice voor SKIL elektrische gereedschappen
- stuur de machine **ongedemonteerd**, samen met het aankoopbewijs, naar het verkoopadres of het dichtstbijzijnde SKIL service-station (de adressen evenals de onderdelentekening van de machine vindt u op www.skil.com)
- Denk erom, dat beschadigingen als gevolg van overbelasting of onjuist gebruik van de machine niet onder de garantie vallen (voor de garanti voorwaarden van SKIL zie www.skil.com of raadpleeg uw dealer)

MILIEU

- **Geef elektrisch gereedschap, batterijen, accessoires en verpakkingen niet met het huisvuil mee** (alleen voor EU-landen)
- volgens de Europese richtlijn 2012/19/EG inzake oude elektrische en elektronische apparaten en de toepassing daarvan binnen de nationale wetgeving, dient afgedankt elektrisch gereedschap gescheiden te worden ingezameld en te worden afgevoerd naar een recycle-bedrijf, dat voldoet aan de geldende milieu-eisen
- symbool ⁶ zal u in het afdarkstadium hieraan herinneren

! bescherm de batterij-contacten met stevig plakband voordat ze afgedankt worden, om kortsluiting te voorkomen

GELUID / VIBRATIE

- Gemeten in navolging van EN 62841 is het geluidsdruk niveau van deze machine 94,5 dB(A) en het geluidsvermogensniveau 105,5 dB(A) (onzekerheid K = 3 dB), en de trilling 14,5 m/s² (triax vector som; onzekerheid K = 1.5 m/s²)
 - Het trillingsemissieniveau is gemeten in overeenstemming met een gestandaardiseerde test volgens EN 62841; deze mag worden gebruikt om twee machines met elkaar te vergelijken en als voorlopige beoordeling van de blootstelling aan trilling bij gebruik van de machine voor de vermelde toepassingen
 - gebruik van de machine voor andere toepassingen, of met andere of slecht onderhouden accessoires, kan het blootstellingsniveau aanzienlijk **verhogen**
 - wanneer de machine is uitgeschakeld of wanneer deze loopt maar geen werk verricht, kan dit het blootstellingsniveau aanzienlijk **reduceren**
- ! bescherm uzelf tegen de gevolgen van trilling door de machine en de accessoires te onderhouden, uw handen warm te houden en uw werkwijze te organiseren**

S

Sladdlös slagskrudragare

3210

INTRODUKTION

- Det här verktyget är avsett att skruva i och lossa skruvar och bultar
- Det här verktyget är inte avsett för yrkesmässig användning
- Läs och spara denna instruktionsbok ³

TEKNISKA DATA ¹

Max. vridmoment hårt skruvförband enligt ISO 5393 : 140Nm

VERKTYGSELEMENT ²

- A** Strömbrytare för till/från och varvtalsreglering
- B** Omkopplare för reversering av rotationsriktningen
- C** Låshylsa
- D** Indikator för vald rotationsriktning
- E** Ventilationsöppningar
- F** Lysdioldampa
- G** Bältesfäste
- H** Batteriindikator

SÄKERHET

ALLMÄNNA SÄKERHETSANVISNINGAR FÖR ELVERKTYG

⚠ WARNING Studera alla varningar, anvisningar, bilder och specifikationer gällande säkerhet som medföljer verktyget. Om anvisningarna inte följs kan det resultera i elektriska stötar, brand och/eller allvarliga personskador.

Förvara alla varningar och anvisningar för framtida bruk.

Nedan använt begrepp "elverktyg" hänför sig till nätdrivna elverktyg (med nätsladd) och till batteridrivna elverktyg (sladdlösa).

1) ARBETSPLATSSÄKERHET

- Håll arbetsplatsen ren och välbelyst.** Oordning på arbetsplatsen eller dåligt belyst arbetsområde kan leda till olyckor.
- Använd inte elverktuget i explosionsfarlig omgivning med brännbara vätskor, gaser eller damm.** Elverktuget alstrar gnistor som kan antända dammet eller gaserna.
- Håll under arbetet med elverktuget barn och obehöriga personer på betryggande avstånd.** Om du störs av obehöriga personer kan du förlora kontrollen över elverktuget.

2) ELEKTRISK SÄKERHET

- Elverktugets stickpropp måste passa till vägguttaget. Stickproppen får absolut inte förändras. Använd inte adapterkontakter tillsammans med skyddsjordade elverktyg.** Oförändrade stickproppar och passande vägguttag reducerar risken för elektriskt slag.
- Undvik kroppskontakt med jordade ytor som t. ex. rör, värmelement, spisar och kylskåp.** Det finns en större risk för elektriskt slag om din kropp är jordad.
- Skydda elverktuget mot regn och väta.** Tränger vatten in i ett elverktyg ökar risken för elektriskt slag.
- Missbruka inte nätsladden och använd den inte för att bära eller hänga upp elverktuget och inte heller för att dra stickproppen ur vägguttaget. Håll nätsladden på avstånd från värme, olja, skarpa kanter och rörliga maskindelar.** Skadade eller tilltrasslade ledningar ökar risken för elektriskt slag.
- När du arbetar med ett elverktyg utomhus använd endast förlängningssladdar som är godkända för utomhusbruk.** Om en lämplig förlängningssladd för utomhusbruk används minskar risken för elektriskt slag.
- Använd en jordfelsbrytare om det inte är möjligt att undvika elverktugets användning i fuktig miljö.** Genom att använda en jordfelsbrytare minskas risken för elstöt.

3) PERSONSÄKERHET

- Var uppmärksam, kontrollera vad du gör och använd elverktuget med förnuft. Använd inte elverktuget när du är trött eller om du är påverkad av droger, alkohol eller mediciner.** Under användning av elverktyg kan även en kort uppmärksamhet leda till allvarliga kroppsskador.
- Bär alltid personlig skyddsutrustning och skyddsglasögon.** Användning av personlig skyddsutrustning som t. ex. dammfiltermask, halkfria säkerhetsskor, skyddshjälm och hörselskydd reducerar alltefter elverktugets typ och användning risken för kroppsskada.
- Undvik oavsiktlig igångsättning. Kontrollera att elverktuget är fränkopplat innan du ansluter stickproppen till vägguttaget och/eller ansluter/ tar bort batteriet, tar upp eller bär elverktuget.** Om du bär elverktuget med fingret på strömställaren eller

ansluter påkopplat elverktyg till nätströmmen kan olycka uppstå.

- Ta bort alla inställningsverktyg och skruvnycklar innan du kopplar på elverktuget.** Ett verktyg eller en nyckel i en roterande komponent kan medföra kroppsskada.
 - Överskatta inte din förmåga. Se till att du står stadigt och håller balansen.** I detta fall kan du lättare kontrollera elverktuget i oväntade situationer.
 - Bär lämpliga kläder. Bär inte löst hängande kläder eller smycken. Håll håret och kläderna på avstånd från de rörliga delarna.** Löst hängande kläder, smycken och långt hår kan dras in av roterande delar.
 - Vid elverktyg med dammutsugnings- och uppsamlingsutrustning kontrollera att anordningarna är rätt monterade och används på korrekt sätt.** Användning av dammutsugning minskar de risker damm orsakar.
 - Låt inte vanan att ofta använda verktygen göra att du blir slarvig och ignorerar verktygets säkerhetsprinciper.** En vårdslös åtgärd kan leda till allvarlig personskada inom bråkdelen av en sekund.
- ### 4) OMSORGSFULL HANTERING OCH ANVÄNDNING AV ELVERKTYG
- Överbelasta inte elverktuget. Använd för aktuellt arbete avsett elverktyg.** Med ett lämpligt elverktyg kan du arbeta bättre och säkrare inom angivet effektområde.
 - Ett elverktyg med defekt strömställare får inte längre användas.** Ett elverktyg som inte kan kopplas in eller ur är farligt och måste repareras.
 - Dra stickproppen ur vägguttaget och/eller ta bort batteriet, om det kan tas ut ur elverktuget, innan inställningar utförs, tillbehörsdelar byts ut eller elverktuget lagras.** Denna skyddsåtgärd förhindrar oavsiktlig inkoppling av elverktuget.
 - Förvara elverktuget oåtkomliga för barn. Låt elverktuget inte användas av personer som inte är förtrogna med dess användning eller inte läst denna anvisning.** Elverktuget är farliga om de används av oerfarna personer.
 - Underhåll elverktyg och tillbehör omsorgsfullt. Kontrollera att rörliga komponenter fungerar felfritt och inte kärvar, att komponenter inte brustit eller skadats; orsaker som kan leda till att elverktugets funktioner påverkas menligt. Låt skadade delar repareras innan elverktuget återanvänds.** Många olyckor orsakas av dåligt skötta elverktyg.
 - Håll skärverktygen skarpa och rena.** Omsorgsfullt skötta skärverktyg med skarpa egg kommer inte så lätt i kläm och går lättare att styra.
 - Använd elverktuget, tillbehör, insatsverktyg osv. enligt dessa anvisningar. Ta hänsyn till arbetsvillkoren och arbetsmomenten.** Används elverktuget på icke ändamålsenligt sätt kan farliga situationer uppstå.
 - Håll handtag och greppytor torra, rena och fria från olja och fett.** Hala handtag och greppytor ger ingen säker hantering och kontroll över verktyget i oväntade situationer.
- ### 5) OMSORGSFULL HANTERING OCH ANVÄNDNING AV SLADDLÖSA ELVERKTYG
- Ladda batterierna endast i de laddare som tillverkaren rekommenderat.** Om en laddare som är

avsedd för en viss typ av batterier används för andra batterityper finns risk för brand.

- b) **Använd endast batterier som är avsedda för aktuellt elverktyg.** Används andra batterier finns risk för kroppsskada och brand.
- c) **Håll gem, mynt, nycklar, spikar, skruvar och andra små metallföremål på avstånd från reservbatterier för att undvika en bygling av kontakterna.** En kortslutning av batteriets kontakter kan leda till brännskador eller brand.
- d) **Om batteriet används på fel sätt finns risk för att vätska rinner ur batteriet. Undvik kontakt med vätskan. Vid oavsiktlig kontakt spola med vatten. Om vätska kommer i kontakt med ögonen uppsök dessutom läkare.** Batterivätskan kan medföra hudirritation eller brännskada.
- e) **Använd inte batteriet eller verktyg som är skadade eller modifierade.** Skadade eller modifierade batterier kan bete sig oväntat vilket leder till brand, explosion eller risk för personskador.
- f) **Du ska inte exponera ett batteri eller verktyg för brand eller för hög temperatur.** Exponering för brand eller temperaturer över 130°C kan leda till explosion.
- g) **Följ alla laddningsinstruktioner och ladda inte batteriet eller verktyget utanför det temperaturomfång som specificeras i instruktionerna.** En olämplig laddning eller en laddning vid en temperatur som ligger utanför det specificerade området kan skada batteriet och öka brandrisken.
- 6) **SERVICE**
 - a) **Låt elverktyget repareras endast av kvalificerad fackpersonal och med originalreservdelar.** Detta garanterar att elverktygets säkerhet upprätthålls.
 - b) **Utför aldrig service på skadade batterier.** Service på batterier får endast utföras av tillverkaren eller auktoriserade tjänsteleverantörer.

SÄKERHETSANVISNINGAR FÖR SLADDLÖS SLAGSKRUVDRAGARE

- **Håll verktyget i de isolerade greppytorna när en åtgärd utförs där fästet kan komma i kontakt med dolt kablage** (fästen som kommer i kontakt med en strömförande ledning kan orsaka att även verktygets exponerade metalldelar blir strömförande, vilket utgör risk för att användaren utsätts för elektriska stötar)

ALLMÄNT

- Viss typ av damm, exempelvis färg som innehåller bly, vissa träsorter, mineraler och metaller kan vara hälsovådliga om de inhaleras (hudkontakt eller inhalering kan ge allergisk reaktion och/eller luftvägsproblem/sjukdom hos personer i närheten); **använd andningsskydd och arbeta med en dammuppsamlare om sådan anslutning finns**
- Vissa typer av damm är klassificerade så som carcinogena (t.ex. ek- och björkdamm) särskilt i kombination med tillsatser för träbehandling; **använd andningsskydd och arbeta med en dammuppsamlare om sådan anslutning finns**
- Följ de nationella krav, som finns angående damm, för de material du skall arbeta med
- **Asbesthaltigt material får inte bearbetas** (asbest anses vara cancerframkallande)

- Kontrollera att omkopplare B ② är i mellan position (låst läge) innan inställningar utförs eller tillbehörskomponenter byts eller maskinen transporteras eller lagras

TILLBEHÖR

- SKIL kan endast garantera att maskinen fungerar felfritt om originaltillbehör används
- Använd endast tillbehör vilkas tillåtna varvtal åtminstone motsvarar maskinens högsta tomgångsvarvtal

FÖRE ANVÄNDNINGEN

- Undvik skador genom att ta bort skruvar, spikar eller andra föremål ur arbetsstycket; ta dem bort innan du startar ett arbete
- **Sätt fast arbetsstycket** (ett arbetsstycke fastsatt med skruvtvingar eller i ett skruvstöd är mera stabilt än om det hålls fast för hand)
- **Använd lämpliga detektorer för lokalisering av dolda försörjningsledningar eller konsultera lokalt distributionsföretag** (kontakt med elledning kan förorsaka brand och elstöt; en skadad gasledning kan leda till explosion; borring i vattenledning kan förorsaka saksador eller elstöt)

BATTERIERNA

- **Det medföljande batteriet är delvis laddat** (i syfte att garantera batteriets fulla kapacitet ska det laddas helt och hållet i batteriladdaren innan verktyget används för första gången)
- **Använd endast följande batterier och laddare med det här verktyget**
 - SKIL-batteri: BR1*31****
 - SKIL-laddare: CR1*31****
- Använd aldrig trasig batteriet; de skall omedelbart bytas ut
- Demontera inte batteriet
- Utsätt inte verktyget/batteriet för regn
- Tillåten omgivningstemperatur (verktyg/laddare/batteri):
 - vid laddning 4...40°C
 - vid drift -20...+50°C
 - vid förvaring -20...+50°C

FÖRKLARING AV SYMBOLER PÅ VERKTYGET/ BATTERIET

- ③ Läs bruksanvisningen före användning
- ④ Batterierna kan explodera om de utsätts för eld, undanhåll batterierna från heta källor
- ⑤ Förvara maskinen/laddaren/batteriet i lokaler, där temperaturen inte överstiger 50°C
- ⑥ Elektriska verktyg och batterier får inte kastas i hushållssoptorna

ANVÄNDNING

- Kombinerad strömbrytare för till/från och hastighetskontroll A ②
 - variera hastigheten steglöst från noll till maximum genom att trycka A④ mer eller mindre på avtryckaren
- Laddning av batteri
- **! läs säkerhetsvarningarna och anvisningarna som levereras med laddaren**
- Ta bort/sätta i batteriet ②
- Ansluta bältesfästet ⑦
 - anslut bältesfästet G till bormaskinen med den medföljande skruven.
- Batteriindikator ⑧
 - tryck på indikatorknappen H för batterinivå för att visa aktuell batterinivå.

- Reversering av rotationsriktningen ⑨
 - om inte vänster/höger är inställt i rätt läge, kan inte strömbrytaren A ② tryckas in
 - ! **ändra rotationsriktningen när maskinen är helt stilla**
- Byte av bits ⑩
 - ta bort en bit genom att dra låshylsan C framåt ②
 - dra låshylsan C framåt, sätt i biten till stoppet i bithållaren och släpp låshylsan C för att låsa biten. ⑩a ⑩b ⑩c
 - ! **använd bara bitar med fjäderkula, andra bitar kan användas med en universalbithållare med fjäderkula ⑩b**
 - ! **använd aldrig bits med trasig axel**
- Batteriskydd
 - Slår av verktyget eller förhindrar start av verktyget, när belastningen är för hög
 - när batteriets temperatur över- eller underskrider arbetsområdet -20 till +50°C
 - litiumjonbatteriet är nästan tomt (för att skydda mot fullständig urladdning)
 - ! **fortsätt inte trycka på till-/frånknappen efter att verktyget stängts av automatiskt; batteriet kan skadas**
- Lysdiodlampan F ⑪
 - Lysdiodlampan F tänds automatiskt när brytaren A ⑪ aktiveras
- Fattning och styrning av maskinen ⑫
 - ! **under arbetet, håll alltid verktyget i det grå greppet**
 - håll ventilationsöppningarna E ② ej övertäckta
 - lägg inte för mycket tryck på verktyget; låt verktyget göra arbetet åt dig

ANVÄNDNINGSTIPS

- Använd rätt bits ⑮
- Vid idragning av en skruv nära kortändan eller på sidan av trämaterialet skall förborring ske för att undvika sprickbildning
- För bästa användning av maskinen är det nödvändigt med ett jämnt tryck på skruven, speciellt vid utdragning
- Vid skruvning i hårt trä bör man först förborra ett hål
- Besök www.skil.com för mer information

UNDERHÅLL / SERVICE

- Det här verktyget är inte avsedd för yrkesmässig användning
- Håll alltid verktyget rent (i synnerhet ventilationsöppningarna E ②)
 - ! **ta bort batteriet från verktyget före rengöring**
- Om i elverktyget trots exakt tillverkning och sträng kontroll störning skulle uppstå, bör reparation utföras av auktoriserad serviceverkstad för SKIL elverktyg
 - sänd in verktyget i **odemonterat skick** tillsammans med inköpsbevis till försäljaren eller till närmaste SKIL serviceverkstad (adresser till servicestationer och sprängskisser av maskiner finns på www.skil.com)
- Observera att skada till följd av ovarsamhet eller överbelastning inte täcks av garantin (för SKIL garantivillkor gå till www.skil.com eller fråga återförsäljaren)

MILJÖ

- **Elektriska verktyg, batterier, tillbehör och förpackning får inte kastas i hushållssoporna** (gäller endast EU-länder)
 - enligt direktivet 2012/19/EG som avser äldre elektrisk och elektronisk utrustning och dess tillämpning enligt nationell lagstiftning ska uttjänta elektriska verktyg sorteras separat och lämnas till miljövänlig återvinning
 - symbolen ⑥ kommer att påminna om detta när det är tid att kassera
 - ! **före avyttring av batterierna, tejpa kontaktytorna med kraftig tejp för att undvika kortslutning**

LJUD / VIBRATION

- Det här verktygets ljudtrycksnivå som mätts enligt EN 62841 är 94,5 dB(A), ljudeffektnivån är 105,5 dB(A) (osäkerhet K = 3 dB) och vibrationen 14,5 m/s² (triax vektorsumma; osäkerhet K = 1,5 m/s²)
- Vibrationsemissionsvärdet har uppmätts enligt ett standardiserat test i enlighet med EN 62841; detta värde kan användas för att jämföra vibrationen hos olika verktyg och som en ungefärlig uppskattning av hur stor vibration användaren utsätts för när verktyget används enligt det avsedda syftet
 - om verktyget används på ett annat än det avsedda syftet eller med fel eller dåligt underhållna tillbehör kan detta drastiskt **öka** vibrationsnivån
 - när verktyget stängs av eller är på men inte används, kan detta avsevärt **minska** vibrationsnivån
 - ! **skydda dig mot vibration genom att underhålla verktyget och dess tillbehör, hålla händerna varma och styra upp ditt arbetssätt**

DK

Akku-slagskruetrækker

3210

INLEDNING

- Dette værktøj er beregnet til at skrue skruer og bolte ind og ud
- Dette værktøj er ikke beregnet til professionelt brug
- Læs og gem denne betjeningsvejledning ③

TEKNISKE DATA ①

Max. drejningsmoment hårdt skruearbejde iht. ISO 5393 : 140Nm

VÆRKTØJETS DELE ②

- A** Afbryder til tænd/sluk og regulering af omdrejningstal
- B** Omskifter til ændring af omdrejningsretningen
- C** Låsemuffe
- D** Indikator for valgt omdrejningsretning
- E** Ventilationshuller
- F** LED-lys
- G** Båndclip
- H** Indikator for batteritilstand

SIKKERHED

GENERELLE SIKKERHEDSINSTRUKSER FOR EL-VÆRKTØJ

⚠ ADVARSEL Læs alle sikkerhedsadvarsler, instruktioner, illustrationer og specifikationer, der leveres med dette elektriske værktøj. Hvis alle instruktioner opført herunder ikke følges, kan det medføre elektrisk stød, brand og/eller alvorlige kvæstelser.

Gem alle advarsler og instruktioner til senere brug.

Begrebet "elværktøj" i advarselne refererer til elværktøj, der kører på lysnettet (med netkabel) samt batteridrevet værktøj (uden netkabel).

1) SIKKERHED PÅ ARBEJDSPLADSEN

- a) **Sørg for, at arbejdsområdet er rent og ryddeligt.** Uorden eller uoplyste arbejdsområder øger faren for uheld.
- b) **Brug ikke elværktøjet i eksplosionstruede omgivelser, hvor der er brændbare væsker, gasser eller støv.** Elværktøj kan slå gnister, der kan antænde støv eller dampe.
- c) **Sørg for, at andre personer og ikke mindst børn holdes væk fra arbejdsområdet, når el-værktøjet er i brug.** Hvis man distraheres, kan man miste kontrollen over elværktøjet.

2) ELEKTRISK SIKKERHED

- a) **Elværktøjets stik skal passe til kontakten. Stikket må under ingen omstændigheder ændres. Brug ikke adapterstik sammen med jordforbundet elværktøj.** Uændrede stik, der passer til kontakterne, nedsætter risikoen for elektrisk stød.
- b) **Undgå kropskontakt med jordforbundne overflader som f.eks. rør, radiatorer, komfurer og køleskabe.** Hvis din krop er jordforbundet, øges risikoen for elektrisk stød.
- c) **Elværktøjet må ikke udsættes for regn eller fugt.** Indtrængning af vand i et elværktøj øger risikoen for elektrisk stød.
- d) **Brug ikke ledningen til formål, den ikke er beregnet til. Du må aldrig bære elværktøjet i ledningen, hænge elværktøjet op i ledningen eller rykke i ledningen for at trække stikket ud af kontakten. Beskyt ledningen mod varme, olie, skarpe kanter eller maskindele, der er i bevægelse.** Beskadigede eller indviklede ledninger øger risikoen for elektrisk stød.
- e) **Hvis elværktøjet benyttes i det fri, må der kun benyttes en forlængerledning, der er egnet til udendørs brug.** Brug af forlængerledning til udendørs brug nedsætter risikoen for elektrisk stød.
- f) **Hvis det ikke kan undgås at bruge elværktøjet i fugtige omgivelser, skal der bruges et HFI-relæ.** Brug af et HFI-relæ reducerer risikoen for at få elektrisk stød.

3) PERSONLIG SIKKERHED

- a) **Det er vigtigt at være opmærksom, se, hvad man laver, og bruge el-værktøjet fornuftigt. Brug ikke noget el-værktøj, hvis du er træt, har nydt alkohol eller er påvirket af medikamenter eller euforiserende stoffer.** Få sekunders uopmærksomhed ved brug af el-værktøjet kan føre til alvorlige personskader.

- b) **Brug beskyttelsesudstyr og hav altid beskyttelsesbriller på.** Brug af sikkerhedsudstyr som f.eks. støvmaske, skridsikkert fodtøj, beskyttelseshjelm eller høreværm afhængig af maskintype og anvendelse nedsætter risikoen for personskader.
 - c) **Undgå utilsigtet igangsætning. Kontrollér, at el-værktøjet er slukket, før du tilslutter det til strømtilførslen og/eller akkuen, løfter eller bærer det.** Undgå at bære el-værktøjet med fingeren på afbryderen og sørg for, at el-værktøjet ikke er tændt, når det slutes til nettet, da dette øger risikoen for personskader.
 - d) **Gør det til en vane altid at fjerne indstillingsværktøj eller skruenøgle, før el-værktøjet tændes.** Hvis et stykke værktøj eller en nøgle sidder i en roterende maskindel, er der risiko for personskader.
 - e) **Undgå en unormal legemssposition. Sørg for at stå sikkert, mens der arbejdes, og kom ikke ud af balance.** Dermed har du bedre muligheder for at kontrollere el-værktøjet, hvis der skulle opstå uventede situationer.
 - f) **Brug egnet arbejdstøj. Undgå løse bekædningsgenstande eller smykker. Hold hår og tøj væk fra dele, der bevæger sig.** Dele, der er i bevægelse, kan gribe fat i løstsiddende tøj, smykker eller langt hår.
 - g) **Hvis støvudsugnings- og opsamlingsudstyr kan monteres, er det vigtigt, at dette tilslutes og benyttes korrekt.** Brug af en støvsugning kan reducere støvmængden og dermed den fare, der er forbundet støv.
 - h) **Selvom du kender værktøjet godt og er vant til at bruge det, skal du alligevel være opmærksom og overholde sikkerhedsanvisningerne.** Et øjeblik uopmærksomhed kan medføre alvorlige personskader.
- #### 4) OMHYGGELIG OMGANG MED OG BRUG AF EL-VÆRKTØJ
- a) **Undgå overbelastning af el-værktøjet. Brug altid et el-værktøj, der er beregnet til det stykke arbejde, der skal udføres.** Med det passende el-værktøj arbejder man bedst og mest sikkert inden for det angivne effektområde.
 - b) **Brug ikke et el-værktøj, hvis afbryder er defekt.** Et el-værktøj, der ikke kan startes og stoppes, er farligt og skal repareres.
 - c) **Træk stikket ud af stikkontakten og/eller fjern akkuen, hvis den er aftagelig, før maskinen indstilles, før skift af tilbehørsdele eller før el-værktøjet lægges til opbevaring.** Disse sikkerhedsforanstaltninger forhindrer utilsigtet start af el-værktøjet.
 - d) **Opbevar ubenyttet el-værktøj uden for børns rækkevidde. Lad aldrig personer, der ikke er fortrolige med el-værktøjet eller ikke har gennemløst disse instrukser, benytte el-værktøjet.** El-værktøj er farligt, hvis det benyttes af ukyndige personer.
 - e) **Vedligehold el-værktøj og tilbehørsdele. Kontroller, om bevægelige maskindele fungerer korrekt og ikke sidder fast, og om delene er brækket eller beskadiget, således at el-værktøjets funktion påvirkes. Få beskadigede dele repareret, inden el-værktøjet tages i brug.** Mange uheld skyldes dårligt

vedligeholdte el-værktøjer.

- f) **Sørg for, at skæreværktøjer er skarpe og rene.** Omhyggeligt vedligeholdte skæreværktøjer med skarpe skærekanter sætter sig ikke så hurtigt fast og er nemmere at føre.
- g) **Brug el-værktøj, tilbehør, indsatsværktøj osv. iht. disse instrukser. Tag hensyn til arbejdsforholdene og det arbejde, der skal udføres.** Anvendelse af el-værktøjet til formål, som ligger uden for det fastsatte anvendelsesområde, kan føre til farlige situationer.
- h) **Hold håndtag og gribeblader tørre, rene og fri for olie og smørefedt.** Hvis håndtag og gribeblader er glatte, kan værktøjet ikke håndteres og styres sikkert, hvis der sker noget uventet.
- 5) **OMHYGGELIG OMGANG MED OG BRUG AF AKKU-VÆRKTØJER**
 - a) **Oplad kun akkuer i ladeaggregater, der er anbefalet af fabrikanten.** Et ladeaggregat, der er egnet til en bestemt type akkuer, må ikke benyttes med andre akkuer - brandfare.
 - b) **Brug kun de akkuer, der er beregnet til værktøjet.** Brug af andre akkuer øger risikoen for personskader og er forbundet med brandfare.
 - c) **Ikke benyttede akkuer må ikke komme i berøring med kontorclips, mønter, nøgler, som, skruer eller andre små metalgenstande, da disse kan kortslutte kontakterne.** En kortslutning mellem akku-kontakterne øger risikoen for personskader i form af forbrændinger.
 - d) **Hvis akkuen anvendes forkert, kan der slippe væske ud af akkuen.** Undgå at komme i kontakt med denne væske. Hvis det alligevel skulle ske, skylles med vand. **Søg læge, hvis væsken kommer i øjnene.** Akku-væske kan give hudirritation eller forbrændinger.
 - e) **Brug ikke akkuer eller værktøj, som er beskadiget eller modificeret.** Beskadigede eller modificerede akkuer kan opføre sig uforudsigeligt og forårsage brand, eksplosion eller fare for personskade.
 - f) **Akkuer eller værktøj må ikke udsættes for ild eller meget høje temperaturer.** Ild eller temperaturer over 130°C kan medføre eksplosion.
 - g) **Følg alle instruktioner for opladning. Akkuen må ikke oplades ved temperaturer uden for det område, der er angivet i instruktionerne.** Forkert opladning eller opladning ved temperaturer uden for det angivne område kan medføre skader på akkuen og forøge brandfaren.
- 6) **SERVICE**
 - a) **Sørg for, at el-værktøj kun repareres af kvalificerede fagfolk og at der kun benyttes originale reservedele.** Dermed sikres størst mulig maskinsikkerhed.
 - b) **Beskadigede akkuer må aldrig repareres.** Reparation af akkuer må kun udføres af producenten eller autoriserede reparatører.

SIKKERHEDSANVISNINGER FOR AKKU-SLAGSKRUETRÆKKERE

- **Hold elværktøjet i de isolerede gribeblader, når der udføres arbejde, hvor skruen kan komme i kontakt med skjulte ledninger** (kontakt med en spændingsførende dele kan også sætte elværktøjets metaldele under spænding, hvilket kan give brugeren elektrisk stød)

GENERELT

- Støv fra materiale som f.eks. maling, der indeholder bly, nogle træsorter, mineraler og metal kan være skadeligt (kontakt med eller indånding af støvet kan forårsage allergiske reaktioner og/eller sygdomme i luftvejene hos den, der anvender værktøjet, eller hos omkringstående); **bær en støvmaske og arbejd med en støvudsugningsanordning, hvor en sådan kan sluttes til**
- Visse slags støv er klassificeret som kræftfremkaldende (som f.eks. støv fra eg og bøg) især i forbindelse med tilsætningsstoffer til træbehandling; **bær en støvmaske og arbejd med en støvudsugningsanordning, hvor en sådan kan sluttes til**
- Følg de nationale krav, hvad angår støv, for de materialer, du ønsker at arbejde med
- **Bearbejd ikke asbestholdigt materiale** (asbest er kræftfremkaldende)
- Kontrollet, at omskifter B ② er i midterste (låst) position inden værktøjet indstilles eller der skiftes tilbehørsdele eller værktøjet bæres eller lægges fra

TILBEHØR

- SKIL kan kun sikre en korrekt funktion af værktøjet, hvis der benyttes originalt tilbehør
- Der må kun benyttes tilbehør, hvis godkendte omdrejningstal er mindst så højt som værktøjets max. omdrejningstal i ubelastet tilstand

INDEN BRUG

- Undgå skader forårsaget af skruer, søm eller andre materialer i arbejdsstykket; fjern disse før De begynder at arbejde
- **Fastgør emnet** (det er sikrere at holde emner i en fastgøringsanordning eller skruestik end med hånden)
- **Anvend egnede søgeinstrumenter til at finde frem til skjulte forsyningsledninger eller kontakt det lokale forsyningselskab** (kontakt med elektriske ledninger kan føre til brand og elektrisk stød; beskadigelse af en gasledning kan føre til eksplosion; brud på et vandrør kan føre til materiel skade eller elektrisk stød)

BATTERIERNE

- **Det medfølgende batteri er delvist opladet** (for at sikre fuld kapacitet af batteriet skal det oplades helt i batteriopladeren, inden du anvender dit elværktøj første gang)
- **Anvend kun de følgende batterier og batteriopladere, der leveres med dette værktøj**
 - SKIL-batteri: BR1*31****
 - SKIL-oplader: CR1*31****
- Brug ikke batteriet, hvis det er beskadiget. Det bør erstattes straks
- Adskil ikke batteriet
- Udsæt ikke værktøjet/batteriet for regn
- Tillad omgivelsestemperatur (værktøj/oplader/batteri):
 - ved opladning 4...40°C
 - ved drift -20...+50°C
 - ved opbevaring -20...+50°C

FORKLARING TIL SYMBOLERNE PÅ VÆRKTØJET/ BATTERI

- ③ Læs instruktionen inden brugen
- ④ Batterier vil eksplodere, hvis de kommes i ild, så forsøg aldrig at brænde batteriet
- ⑤ Opbevar værktøj/opladeren/batteriet i et lokale, hvor temperaturen ikke overstiger 50°C
- ⑥ Elværktøj og batterier må ikke bortskaffes som almindeligt affald

BETJENING

- Kombineret afbryder for til/fra og hastighedskontrol A ②
 - kontrolér hastigheden trinløst fra 0 til max. hastighed ved at trykke A ⑭ mere eller mindre på afbryderen
- Opladning af batteriet
 - ! læs sikkerhedsadvarslerne og -anvisningerne, der følger med opladeren
- Afmontering/montering af batteriet ②
- Fastgørelse af båndklipsen ⑦
 - fastgør båndklipsen G på boret med den medfølgende skrue.
- Indikator for batteritilstand ③
 - tryk på knappen for batteristand H for at se batteriets aktuelle status.
- Ændring af omdrejningsretningen ⑨
 - afbryderen A ② kan ikke aktiveres, hvis retningsskifteren ikke er indstillet korrekt
 - ! ændre kun omdrejningsretningen når værktøjet er standset helt
- Ombytning af bits ⑩
 - fjern en bit ved at trække låsemuffen C fremad ②
 - træk låsemuffen C fremad, sæt bitten ind i bitholderen til stoppet og slip låsemuffen C for at låse bitten. ⑩a ⑩b ⑩c
 - ! anvend kun bits med kuglelås, andre bits kan anvendes med universalbitholder med kuglelås ⑩b
 - ! brug ikke bits med beskadiget skaft
- Batteribeskyttelse
 - Slukker for værktøjet eller forhindrer at værktøjet tændes, når
 - belastningen er for høj
 - batteritemperaturen er ikke inden for det tilladte område for betjeningstemperatur på -20 til +50°C
 - lithium-ion batteriet næsten er afladt (for at beskytte mod for kraftig afladning)
 - ! undlad at betjene kontakten, efter at der er slukket for værktøjet, da det kan beskadige batteriet
- LED-lys F ⑪
 - LED-lampen F tændes automatisk, når der trykkes på en knap A ①
- Håndtering og styring af værktøjet ⑫
 - ! under arbejde, hold altid om værktøjet på de grå markerede grebsområde(r)
 - hold ventilationshullerne E ② utildækkede
 - pres ikke for hårdt med værktøjet; lad værktøjet gøre arbejdet for dig

GODE RÅD

- Brug rigtige bits ⑮
- Ved iskruning af en skrue nær endeflader eller i endetræ bør der forbores for at undgå splinter i træet
- For at få optimal glæde af værktøjet er det nødvendig med jævn tryk på skruen, især ved udskruring
- Ved iskruning i hårdt træ anbefales det at forbore
- Se yderligere oplysninger på www.skil.com

VEDLIGEHOLDELSE/SERVICE

- Dette værktøj er ikke beregnet til professionelt brug
- Hold altid værktøjet rent (især ventilationshuller E ②)
- ! tag batteriet ud af værktøjet inden rengøring
- Skulle elværktøjet trods omhyggelig fabrikation og kontrol

- skulle holde op med at fungere, skal reparationen udføres af et autoriseret serviceværksted for SKIL-elektroværktøj
- send det **ikke adskilte** værktøj sammen med et købsbevis til forhandleren eller nærmeste SKIL-serviceværksted (adresser og reservedelstegning af værktøjet findes på www.skil.com)
- Husk, at beskadigelse som følge af overbelastning eller forkert håndtering af værktøjet ikke er omfattet af garantien (se www.skil.com vedrørende SKIL-garantibetingelserne, eller spørg din forhandler)

MILJØ

- **Elværktøj, batterier, tilbehør og emballage må ikke bortskaffes som almindeligt affald** (kun for EU-lande)
 - i henhold til det europæiske direktiv 2012/19/EF om bortskaffelse af elektriske og elektroniske produkter og gældende national lovgivning, skal brugt elværktøj indsamles separat og bortskaffes på en måde, der skåner miljøet mest muligt
 - symbolet ⑥ erindrer dig om dette, når udskiftning er nødvendig
- ! beskyt batteri terminaler med bredt tape for at undgå kortslutning

STØJ / VIBRATION

- Målt i henhold til EN 62841 er lydtryksniveauet for dette værktøj 94,5 dB(A) og lydeffektniveauet 105,5 dB(A) (usikkerhed K = 3 dB), og vibrationen 14,5 m/s² (triax vector sum; usikkerhed K = 1.5 m/s²)
- Vibrationsniveauet er målt i henhold til den standardiserede test som anført i EN 62841. Det kan benyttes til at sammenligne to stykker værktøj og som en foreløbig bedømmelse af udsættelsen for vibrationer, når værktøjet anvendes til de nævnte form
 - anvendes værktøjet til andre formål eller med andet eller dårligt vedligehold tilbehør, kan dette **øge** udsættelsesniveauet betydeligt
 - de tidsrum, hvor værktøjet er slukket, eller hvor det kører uden reelt at udføre noget arbejde, kan **reducere** udsættelsesniveauet betydeligt
- ! beskyt dig selv imod virkningerne af vibrationer ved at vedligeholde værktøjet og dets tilbehør, ved at holde dine hænder varme og ved at organisere dine arbejdsmønstre

N

Batteridrevet slagskrutrekker

3210

INTRODUKSJON

- Dette værktøjet er tiltenkt for å skru inn og løsne skruser og bolter
- Dette værktøjet er ikke beregnet på profesjonell bruk
- Les og ta vare på denne brukerveiledningen ③

TEKNISKE DATA ①

Maks. dreiemoment for hard skruing jf. ISO 5393 : 140Nm

VERKTØYELEMENTER ②

A Bryter til av/på og turtallsregulering

- B Bryter til endring av dreieretning
- C Låsehylse
- D Indikator for valgt dreieretning
- E Ventilasjonsåpninger
- F LED-Lampe
- G Belteklemme
- H Batterivåindikator

SIKKERHET

GENERELLE ADVARSLER FOR ELEKTROVERKTØY

⚠ ADVARSEL Les alle sikkerhetsadvarslar, instruksjoner, illustrasjoner og spesifikasjoner som følger med dette elektroverktøyet. Hvis du unnlater å følge noen av instruksjonene som er listet opp ovenfor, kan det føre til elektrisk støt, brann og/eller alvorlige personskader.

Ta godt vare på alle advarslene og informasjonene.

Det nedenstående anvendte uttrykket "elektroverktøy" gjelder for strømdrevne (med ledning) og batteridrevne elektroverktøy (uten ledning).

1) SIKKERHET PÅ ARBEIDSPLASSEN

- a) **Hold arbeidsområdet rent og ryddig.** Rotete arbeidsområder eller arbeidsområder uten lys kan føre til ulykker.
- b) **Ikke arbeid med elektroverktøyet i eksplosjonsfarlige atmosfærer – der det befinner seg brennbare væsker, gass eller støv.** Elektroverktøy lager gnister som kan antenne støv eller damper.
- c) **Hold barn og andre personer unna når elektroverktøyet brukes.** Hvis du blir forstyrret under arbeidet, kan du miste kontrollen over elektroverktøyet.

2) ELEKTRISK SIKKERHET

- a) **Støpselet til elektroverktøyet må passe inn i stikkkontakten. Støpselet må ikke forandres på noen som helst måte. Ikke bruk adapterstøpsler sammen med jodede maskiner.** Bruk av støpsler som ikke er forandret på og passende stikkontakter reduserer risikoen for elektriske støt.
- b) **Unngå kroppskontakt med jodede overflater slik som rør, ovner, komfyrer og kjøleskap.** Det er større fare ved elektriske støt hvis kroppen din er jordet.
- c) **Hold elektroverktøyet unna regn eller fuktighet.** Dersom det kommer vann i et elektroverktøy, øker risikoen for elektriske støt.
- d) **Ikke bruk ledningen til andre formål, f.eks. til å bære elektroverktøyet, henge den opp eller trekke den ut av stikkkontakten. Hold ledningen unna varme, olje, skarpe kanter eller maskindeler som beveger seg.** Med skadede eller opphopede ledninger øker risikoen for elektriske støt.
- e) **Når du arbeider utendørs med et elektroverktøy, må du kun bruke en skjøteledning som er godkjent til utendørs bruk.** Når du bruker en skjøteledning som er egnet for utendørs bruk, reduseres risikoen for elektriske støt.
- f) **Hvis det ikke kan unngås å bruke elektroverktøyet i fuktige omgivelser, må du bruke en jordfeilbryter.** Bruk av en jordfeilbryter reduserer risikoen for elektriske støt.

3) PERSONSIKKERHET

- a) **Vær oppmerksom, pass på hva du gjør, gå fornuftig frem når du arbeider med et elektroverktøy. Ikke bruk elektroverktøyet når du er trett eller er påvirket av narkotika, alkohol eller medikamenter.** Et øyeblikks uoppmerksomhet ved bruk av elektroverktøyet kan føre til alvorlige skader.
 - b) **Bruk personlig verneutstyr og husk alltid å bruke vernebriller.** Bruk av personlig sikkerhetsutstyr som støvmaske, sklifaste arbeidssko, hjelm eller hørselvern – avhengig av type og bruk av elektroverktøyet – reduserer risikoen for skader.
 - c) **Unngå å starte verktøyet ved en feiltagelse. Forviss deg om at elektroverktøyet er slått av før du kobler det til strømmen og/eller batteriet, løfter det opp eller bærer det.** Hvis du holder fingeren på bryteren når du bærer elektroverktøyet eller kobler elektroverktøyet til strømmen i innkoblet tilstand, kan dette føre til uhell.
 - d) **Fjern innstillingsverktøy eller skrunøkler før du slår på elektroverktøyet.** Et verktøy eller en nøkkel som befinner seg i en roterende maskindel, kan føre til skader.
 - e) **Ikke overvurder deg selv. Sørg for å stå stødig og i balanse.** Dermed kan du kontrollere elektroverktøyet bedre i uventede situasjoner.
 - f) **Bruk alltid egnede klær. Ikke bruk vide klær eller smykker. Hold hår og klær unna deler som beveger seg.** Løstsittende tøy, smykker eller langt hår kan komme inn i deler som beveger seg.
 - g) **Hvis det kan monteres støvavsug- og oppsamlingsinnretninger, må du forviss deg om at disse er tilkoblet og brukes på korrekt måte.** Bruk av et støvavsug reduserer faren på grunn av støv.
 - h) **Selv når du er blitt vant til verktøyet, må du ikke bli sløv og ignorere sikkerhetsreglene for verktøyet.** En uforsiktig handling kan forårsake alvorlig personskade i løpet av et brøkdels sekund.
- #### 4) AKTSOM HÅNDTERING OG BRUK AV ELEKTROVERKTØY
- a) **Ikke overbelast elektroverktøyet. Bruk et elektroverktøy som er beregnet til den type arbeid du vil utføre.** Med et passende elektroverktøy arbeider du bedre og sikrere i det angitte effektområdet.
 - b) **Ikke bruk elektroverktøy med defekt på-/avbryter.** Et elektroverktøy som ikke lenger kan slås av eller på, er farlig og må repareres.
 - c) **Trekk støpselet ut av stikkkontakten og/eller fjern batteriet (hvis demonterbart) før du utfører innstilling på elektroverktøyet, skifter tilbehørsdeler eller legger elektroverktøyet bort.** Disse tiltakene forhindrer en utilsiktet startung av elektroverktøyet.
 - d) **Elektroverktøy som ikke er i bruk må oppbevares utilgjengelig for barn. Ikke la elektroverktøyet brukes av personer som ikke er fortlroelig med dette eller ikke har lest disse anvisningene.** Elektroverktøy er farlige når de brukes av uerfarne personer.
 - e) **Vær nøye med vedlikeholdet av elektroverktøyet og tilbehøret. Kontroller om bevegelige maskindeler fungerer feilfritt og ikke klemmes fast, og om deler er brukket eller skadet, slik at dette innvirker på elektroverktøyet funksjon. La skadede deler repareres før elektroverktøyet brukes.** Dårlig vedlikeholdte elektroverktøy er årsaken til mange uhell.

- f) **Hold skjæreverktøyene skarpe og rene.** Godt stelte skjæreverktøy med skarpe skjær setter seg ikke så ofte fast og er lettere å føre.
- g) **Bruk elektroverktøy, tilbehør, verktøy osv. i henhold til disse anvisningene. Ta hensyn til arbeidsforholdene og arbeidet som skal utføres.** Bruk av elektroverktøy til andre formål enn det som er angitt kan føre til farlige situasjoner.
- h) **Hold håndtak og gripeflater tørre, rene og uten olje eller fett.** Glatte håndtak og gripeflater hindrer sikker håndtering og styring av verktøyet i uventede situasjoner.
- 5) AKTSOM HÅNTERING OG BRUK AV BATTERIDREVNENE VERKTØY**
- a) **Lad batteriet kun opp i ladere som er anbefalt av produsenten.** Det oppstår brannfare hvis en lader som er egnet til en bestemt type batterier, brukes med andre batterier.
- b) **Bruk derfor kun riktig type batterier for elektroverktøyene.** Bruk av andre batterier kan medføre skader og brannfare.
- c) **Hold batteriet som ikke er i bruk unna binders, mynter, nøkler, spikre, skruer eller andre mindre metallgjenstander, som kan lage en forbindelse mellom kontaktene.** En kortslutning mellom batterikontaktene kan føre til forbrenninger eller brann.
- d) **Ved gal bruk kan det løkke væske ut av batteriet. Unngå kontakt med denne væsken. Ved tilfeldig kontakt må det skylles med vann. Hvis det kommer væske i øynene, må du i tillegg oppsøke en lege.** Batterivæske som renner ut kan føre til iritasjoner på huden eller forurenninger.
- e) **Ikke bruk batteriet eller verktøyet hvis det er skadet eller modifisert.** Ødelagte eller modifiserte batterier kan oppføre seg uforutsigbart, noe som kan føre til brann, eksplosjon eller fare for personskaade.
- f) **Ikke utsett batteriet eller verktøyet for åpen ild eller for høye temperaturer.** Eksponering for ild eller temperaturer over 130 °C kan forårsake eksplosjon.
- g) **Følg alle ladeinstrukser, og ikke lad batteriet eller verktøyet utenfor temperaturområdet som er spesifisert i bruksanvisningen.** Feil lading eller lading ved temperaturer utenfor det spesifiserte temperaturområdet, kan skade batteriet og øke brannfaren.
- 6) SERVICE**
- a) **Maskinen din skal alltid kun repareres av kvalifisert fagpersonale og kun med originale reservedeler.** Slik opprettholdes elektroverktøyet sikkerhet.
- b) **Ikke utfør service på ødelagte batterier.** Service på batterier skal alltid utføres av produsenten eller godkjente forhandlere.

SIKERHETSINSTRUKSJONER FOR BATTERIDREVET SLAGSKRUTREKKERE

- **Ta kun tak i elektroverktøyet på de isolerte gripeflatene når de utfører jobber hvor festet kan komme i kontakt med skjulte ledninger** (hvis en strømførende ledning kuttes, kan metalldele på elektroverktøyet bli strømførende og brukeren kan få elektrisk støt)

GENERELL

- Støv fra materialer som blyholdig maling, visse tresorter, mineraler og metall kan være skadelig (kontakt med eller inhalering av støv kan gi allergiske reaksjoner og/eller sykdommer i åndedretsorganene for brukeren eller personer i nærheten); **bruk støvmaske og arbeid med støvfjerningsutstyr når det er mulig**
- Visse typer støv er klassifisert som kreftfremkallende (som f.eks. støv fra eik og bok), spesielt sammen med tilsetningsstoffer for trebehandling; **bruk støvmaske og arbeid med støvfjerningsutstyr når det er mulig**
- Følg de nasjonale krav, når det gjelder støv for de materialer du ønsker å arbeide med
- **Ikke bearbeid asbestholdig material** (asbest kan fremkalle kreft)
- Sørg for at bryter B ② er i midtre (låst) posisjon før du utfører innstillinger på verktøyet eller skifter tilbehørsdeler eller bærer eller legger verktøyet bort

TILBEHØR

- SKIL kan kun garantere et feilfritt verktøy dersom originaltilbehør brukes
- Bruk kun tilbehør med et godkjent turtall som er minst like høyt som verktøyet høyeste tomgangsturtall

FØR BRUK

- Unngå skade pga. skruer, spiker eller andre elementer i arbeidsstykket; fjernes før man starter jobben
- **Sett fast arbeidsstykket** (et arbeidsstykke som er sikret med klemmer, sitter sikrere enn om det holdes fast for hånd)
- **Bruk egnede detektorer til å finne skjulte strøm-/gass-/vannledninger, eller spør hos det lokale el-/gass-/vannverket** (kontakt med elektriske ledninger kan medføre brann og elektrisk støt; skader på en gassledning kan føre til eksplosjon; inntrengning i en vannledning forårsaker materielle skader og kan medføre elektriske støt)

BATTERIENE

- **Batteriet leveres delvis ladet** (for å få batteriets fulle kapasitet, lad batteriet helt opp ved bruk av batteriladeren før verktøyet tas i bruk for første gang)
- **Bare bruk følgende batterier og ladere med dette verktøyet**
 - SKIL-batteri: BR1*31****
 - SKIL-lader: CR1*31****
- Bruk ikke batteriet når de er skadet; de må byttes ut umiddelbart
- Ikke demonter batteriet
- Ikke utsett verktøyet/batteriet for regn
- Tillatt omgivelsestemperatur (verktøy/lader/batteri):
 - ved lading 4...40 °C
 - ved drift -20...+50 °C
 - ved lagring -20...+50 °C

FORKLARING AV SYMBOLER PÅ VERKTØY/BATTERI

- ③ Les instruksjonsboken for bruk
- ④ Batterier vil eksplodere hvis de blir brent, derfor må man aldri brenne batteriene
- ⑤ Oppbevar verktøy/lader/batteriet på et sted der temperaturen ikke overstiger 50 °C
- ⑥ Kast aldri elektroverktøy og batterier i husholdningsavfallet

BRUK

- Kombinert bryter for på/av og hastighetsregulering A ②
 - reguler den trinnløse hastighet fra 0 til maksimum ved å trykke A¹⁴ mere eller mindre på bryteren
- Batteriladning
 - ! **les sikkerhetsadvarslene og instruksene levert med laderen**
- Fjerne/installere batteriet ②
- Feste beltespenne ⑦
 - fest beltespennen G til boret med bruk av den leverte skruen.
- Indikator for batteristatus ⑧
 - trykk inn indikatorknappen for batteriladning H for å se innværende batteriladningen.
- Endring av rotasjonsretning ⑨
 - hvis ikke retningshendelen er riktig satt i venstre/høyre posisjon, sperres bryteren A ②
 - ! **endre bare rotasjonsretning når verktøyet er helt stillestående**
- Bytting av bits ⑩
 - for å fjerne biten, dra låsehylsen C fremover ②
 - dra låsehylsen C fremover, sett inn biten til stoppet inn i bitholderen og slipp låsehylsen C for å låse biten. ⑩a ⑩b ⑩c
 - ! **bruk bare biter med kulelås, andre bits kan brukes med en universal bitholder med kulelås ⑩b**
 - ! **bruk aldri bit med skadet tange**
- Batterivern
 - Slår av verktøyet eller hindrer at verktøyet slås på, når
 - belastningen er for høy
 - batteriets temperatur ikke er innenfor tillatt driftstemperaturområde på -20 til 50 °C
 - lithium-ion batteriet er nesten utladet (til vern mot dype utladninger)
 - ! **ikke fortsett å skru verktøyet av og på etter at det er slått av automatisk; dette kan skade batteriet**
- LED-Lampe F ⑪
 - LED-lys F lys slås automatisk på ved aktivering av bryter A ⑪
- Grep og styring av verktøyet ⑫
 - ! **under arbeid, hold verktøyet alltid i grått (gråe) grepsområde(r)**
 - hold ventilasjonsåpningen E ② utildekket
 - ikke utøv for meget press på verktøyet, la verktøyet gjøre jobben for deg

BRUKER TIPS

- Bruk riktige bits ⑮
- Ved skruing ute ved materialkanten er det en fordel å forfore for a unngå at materialet sprekker
- For at du skal ha full nytte av verktøyet er det nødvendig med et svakt press mot skruen, spesielt ved utskruing
- Som skrutrekker ved anvendelse i hardt tre anbefaler vi å bore et styrehull først
- Se www.skil.com for mer informasjon

VEDLIKEHOLD / SERVICE

- Dette verktøyet er ikke beregnet på profesjonell bruk
- Verktøyet skal alltid holdes rent (gjelder spesielt for ventilasjonsporene E ②)
- ! **ta batteriet ut av verktøyet før rengjøring**

- Hvis elektroverktøyet til tross for omhyggelige produksjons- og kontrollmetoder en gang skulle svikte, må reparasjonen utføres av et autorisert serviceverksted for SKIL-elektroverktøy
 - send verktøyet i **montert** tilstand sammen med kjøpebevis til forhandleren eller nærmeste SKIL servicesenter (adresser liksom service diagram av verktøyet finner du på www.skil.com)
- Vær klar over at skade som skyldes overbelastning eller feilbehandling av verktøyet ikke dekkes av garantien (for SKIL garantibetingelser se www.skil.com eller spør din forhandler)

MILJØ

- **Kast aldri elektroverktøy, batterier, tilbehør og emballasje i husholdningsavfallet** (kun for EU-land)
 - i henhold til EU-direktiv 2012/19/EF om kasserte elektriske og elektroniske produkter og direktivets iverksetting i nasjonal rett, må elektroverktøy som ikke lenger skal brukes, samles separat og returneres til et miljøvennlig gjenvinningsanlegg
 - symbolet ⑥ er påtrykt som en påminnelse når utskifting er nødvendig
 - ! **før batteriene kastes, tape over polene med tykk tape for å unngå kortslutning**

STØY / VIBRASJON

- Målt i samsvar med EN 62841, lydtrykksnivået til dette verktøyet er 94,5 dB(A) og lydeffektnivået er 105,5 dB(A) (usikkerhet K = 3 dB) og vibrasjonen 14,5 m/s² (triaks vektorsum usikkerhet K = 1,5 m/s²)
- Vibrasjonsnivået er målt i samsvar med en standardisert test som er angitt i EN 62841; den kan brukes til å sammenligne et verktøy med et annet, og som et foreløpig overslag over eksponering for vibrasjoner ved bruk av verktøyet til de oppgavene som er nevnt
 - bruk av verktøyet til andre oppgaver, eller med annet eller mangelfullt vedlikeholdt utstyr, kan gi en vesentlig **økning** av eksponeringsnivået
 - tidsrommene når verktøyet er avslått eller når det går men ikke arbeider, kan gi en vesentlig **reduksjon** av eksponeringsnivået
 - ! **beskytt deg selv mot virkningene av vibrasjoner ved å vedlikeholde verktøyet og utstyret, holde hendene varme og organisere arbeidsmåten din**

FIN

Akkuisuruuvinväännin

3210

ESITTELY

- Tämä työkalu on tarkoitettu ruuvien ja pulttien kiristämiseen ja löysäämiseen
- Tätä työkalua ei ole tarkoitettu ammattikäyttöön
- Lue ja säilytä tämä ohjekirja ③

TEKNISET TIEDOT ①

Suurin vääntömomentti kovassa ruuvinväännössä ISO 5393 mukaan : 140Nm

LAITTEEN OSAT ②

- A On/off- ja nopeudensäätökytkin
- B Kytkin pyörintäsuunnan vaihtamiseksi
- C Lukitusholkki
- D Pyörintäsuunnan näyttö
- E Ilmanvaihto-aukot
- F Ledivalo
- G Vyökiinnike
- H Akun lataustilan merkkivalo

TURVALLISUUS

YLEISET SÄHKÖTYÖKALUJEN TURVALLISUUTEEN LIITTYVÄT VAROITUKSET

VAROITUS: Perehdy kaikkiin tämän sähkötyökalun mukana toimitettuihin varoituksiin, ohjeisiin, kuviiin ja teksteihin tietoihin. Jos kaikkia alla olevia ohjeita ei noudateta, seurauksena voi olla sähköisku, tulipalo ja/tai vakava loukkaantuminen.

Säilytä kaikki turvallisuus- ja muut ohjeet tulevaisuutta varten.

Turvallisuusohjeissa käytetty käsite "sähkötyökalu" käsittää verkkokäyttöisiä sähkötyökaluja (verkkojohdolla) ja akkukäyttöisiä sähkötyökaluja (ilman verkkojohtoa).

1) TYÖPAIKAN TURVALLISUUS

- a) **Pidä työskentelyalue puhtaana ja hyvin valaistuna.** Työpaikan epäjärjestyst tai valaisemattomat työalueet voivat johtaa tapaturmiin.
- b) **Älä työskentele sähkötyökalulla räjähdysalttiissa ympäristössä, jossa on palavaa nestettä, kaasua tai pölyä.** Sähkötyökalu muodostaa kipinöitä, jotka saattavat sytyttää pölyn tai höyryt.
- c) **Pidä lapset ja sivulliset loitolla sähkötyökalua käyttäessäsi.** Voit menettää laitteesi hallinnan, huomiosi suuntautuessa muualle.

2) SÄHKÖTURVALLISUUS

- a) **Sähkötyökalun pistotulpan tulee sopia pistorasiaan.** Pistotulppaa ei saa muuttaa millään tavalla. Älä käytä mitään pistorasia-adaptoreita maadoitettujen sähkötyökalujen kanssa. Alkuperäisessä kunnossa olevat pistotulpat ja sopivat pistorasiat vähentävät sähköiskun vaaraa.
- b) **Vältä koskettamasta maadoitettuja pintoja, kuten putkia, pattereita, liesiä tai jääkaappeja.** Sähköiskun vaara kasvaa, jos kehosi on maadoitettu.
- c) **Älä aseta sähkötyökalua alttiiksi sateelle tai kosteudelle.** Veden tunkeutuminen sähkötyökalun sisään kasvattaa sähköiskun riskiä.
- d) **Älä käytä verkkojohtoa väärin. Älä käytä sitä sähkötyökalun kantamiseen, vetämiseen tai pistotulpan irrottamiseen pistorasiasta.** Pidä johto loitolla kuumuudesta, öljystä, terävistä reunoista ja liikkuvista osista. Vahingoittuneet tai sotkeutuneet johdot kasvattavat sähköiskun vaaraa.
- e) **Käyttäessäsi sähkötyökalua ulkona, käytä ainoastaan ulkokäyttöön soveltuvaa jatkojohtoa.** Ulkokäyttöön soveltuvan jatkojohdon käyttö pienentää sähköiskun vaaraa.

- f) **Jos sähkötyökalun käyttö kosteassa ympäristössä ei ole vältettävissä, tulee käyttää maavuotokatkaisijaa.** Maavuotokatkaisijan käyttö vähentää sähköiskun vaaraa.

3) HENKILÖTURVALLISUUS

- a) **Ole valpas, kiinnitä huomiota työskentelyysi ja noudata tervettä järkeä sähkötyökalua käyttäessäsi. Älä käytä sähkötyökalua, jos olet väsynyt tai huumeiden, alkoholin tahi lääkkeiden vaikutuksen alaisena.** Hetken tarkkaamattomuus sähkötyökalua käytettäessä, saattaa johtaa vakavaan loukkaantumiseen.
 - b) **Käytä suojavarusteita. Käytä aina suojalaseja.** Henkilökohtaisen suojavarustuksen käyttö, kuten pölynamarin, luistamatomien turvakengien, suojakypärän tai kuulonsuojaimien, riippuen sähkötyökalun lajista ja käyttötavasta, vähentää loukkaantumisriskiä.
 - c) **Vältä tahatonta käynnistämistä. Varmista, että sähkötyökalu on poiskytkettyä, ennen kuin liität sen sähköverkkoon ja/tai liität akun, otat sen käteen tai kannat sitä.** Jos kannat sähkötyökalua sormi käynnistyskytkimellä tai kytket sähkötyökalun pistotulpan pistorasiaan, käynnistyskytkimen ollessa käyntiasennossa, altistat itsesi onnettomuuksille.
 - d) **Poista kaikki säätötyökalut ja ruuvitalat, ennen kuin käynnistät sähkötyökalun.** Työkalu tai avain, joka sijaitsee laitteen pyörivässä osassa, saattaa johtaa loukkaantumiseen.
 - e) **Älä yliarvioi itseäsi. Huolehdi aina tukevasta seisoma-asennosta ja tasapainosta.** Täten voit paremmin hallita sähkötyökalua odottamattomissa tilanteissa.
 - f) **Käytä tarkoitukseen soveltuvia vaatteita. Älä käytä löysiä työvaatteita tai koruja. Pidä hiukset ja vaatteet poissa liikkuvien osien ulottuvilta.** Välijät vaatteet, korut ja pitkät hiukset voivat tarttua liikkuviin osiin.
 - g) **Jos pölynimu- ja keräilylaitteita voidaan asentaa, tulee sinun tarkistaa, että ne on liitetty ja että ne käytetään oikealla tavalla.** Pölynimulaitteiston käyttö vähentää pölyn aiheuttamia vaaroja.
 - h) **Työskentele keskittyneesti ja noudata aina turvallisuusmääräyksiä.** Hetkellinenkin huolimattomuus voi aiheuttaa vakavia vammoja.
- ### 4) SÄHKÖTYÖKALUJEN KÄYTTÖ JA HOITO
- a) **Älä ylikuormita laitetta. Käytä kyseiseen työhön tarkoitettua sähkötyökalua.** Sopivaa sähkötyökalua käyttäen työskentelet paremmin ja varmemmin tehoalueella, jolle sähkötyökalu on tarkoitettu.
 - b) **Älä käytä sähkötyökalua, jota ei voida käynnistää ja pysäyttää käynnistyskytkimestä.** Sähkötyökalu, jota ei enää voida käynnistää ja pysäyttää käynnistyskytkimellä, on vaarallinen ja se täytyy korjata.
 - c) **Irrota pistotulppa pistorasiasta ja/tai irrota akku (jos irrotettava) sähkötyökalusta, ennen kuin suoritat säätöjä, vaihdat tarvikkeita tai viet sähkötyökalun varastoon.** Nämä turvatoimenpiteet pienentävät sähkötyökalun tahattoman käynnistysriskin.
 - d) **Säilytä sähkötyökalu poissa lasten ulottuvilta, kun niitä ei käytetä. Älä anna sellaisten henkilöiden käyttää sähkötyökalua, jotka eivät tunne sitä tai jotka eivät ole lukeneet tätä käyttöohjetta.** Sähkötyökalut ovat vaarallisia, jos niitä käyttävät

kokemattomat henkilöt.

- e) **Pidä sähkötyökalut ja tarvikkeet hyvässä kunnossa.** Tarkista, että liikkuvat osat toimivat moitteettomasti, eivätkä ole puristuksessa sekä, että siinä ei ole murtuneita tai vahingoittuneita osia, jotka saattaisivat vaikuttaa haitallisesti sähkötyökalun toimintaan. Anna korjauttaa mahdolliset viat ennen käyttöönnottoa. Momen tapaturman syyt löytyvät huonosti huolletuista laitteista.
- f) **Pidä leikkausterät terävinä ja puhtaina.** Huolellisesti hoidetut leikkaustyökalut, joiden leikkausreunat ovat teräviä, eivät tartu helposti kiinni ja niitä on helpompi hallita.
- g) **Käytä sähkötyökaluja, tarvikkeita, vaihtotyökaluja jne. näiden ohjeiden mukaisesti. Ota tällöin huomioon työolosuhteet ja suoritettava toimenpide.** Sähkötyökalun käyttö muuhun kuin sille määrättyyn käyttöön, saattaa johtaa vaarallisiin tilanteisiin.
- h) **Pidä kahvat ja kädensijat kuivina ja puhtaina (öljyttöminä ja rasvattomina).** Jos kahvat ja kädensijat ovat liukkaita, et pysty yllättävissä tilanteissa ohjaamaan ja hallitsemaan työkalua turvallisesti.
- 5) **AKKUKÄYTTÖISTEN SÄHKÖTYÖKALUJEN KÄYTTÖ JA HOITO**
- a) **Lataa akku vain valmistajan määräämässä latauslaitteessa.** Latauslaite, joka soveltuu määrätyn tyyppiselle akulle, saattaa muodostaa tulipalovaaran erilaista akku ladattaessa.
- b) **Käytä sähkötyökalussa ainoastaan kyseiseen sähkötyökaluun tarkoitettua akku.** Jonkun muun akun käyttö saattaa johtaa loukkaantumiseen ja tulipaloon.
- c) **Pidä irrallista akku loitolla metalliesineistä, kuten paperinliittimistä, kolikoista, avaimista, nauloista, ruuveista tai muista pienistä metalliesineistä, jotka voivat oikosulkea akun koskettimet.** Akkukoskettimien välinen oikosulku saattaa aiheuttaa palovammoja tai johtaa tulipaloon.
- d) **Väärästä käytöstä johtuen saattaa akusta vuotaa nestettä, jota ei tule koskettaa. Jos nestettä vahingossa joutuu iholle, huuhtele kosketuskohta vedellä. Jos nestettä pääsee silmiin, tarvitaan tämän lisäksi lääkärin apua.** Akusta vuotava neste saattaa aiheuttaa ärsytystä ja palovammoja.
- e) **Älä käytä akkuja tai työkalua, joka on vioittunut tai johon on tehty muutoksia.** Jos akut ovat vioittuneet tai niihin on tehty muutoksia, ne voivat toimia ennalta arvaamattomasti ja aiheuttaa tulipalon, räjähdyksen tai loukkaantumisvaaran.
- f) **Älä altista akkuja tai työkalua tullelle tai äärimmäisille lämpötiloille.** Tullelle tai yli 130°C asteen lämpötilalle altistaminen saattaa aiheuttaa räjähdyksen.
- g) **Noudata latausohjeita ja lataa akku tai työkalu ohjeenmukaisen lämpötila-alueen rajoissa.** Lataaminen virheellisesti tai ohjeiden vastaisessa lämpötilassa saattaa vaurioittaa akkuja ja lisätä palovaaraa.
- 6) **HUOLTO**
- a) **Anna koulutettujen ammattihenkilöiden korjata sähkötyökalusi ja hyväksy korjauksiin vain alkuperäisiä varaosia.** Täten varmistat, että sähkötyökalu säilyy turvallisena.

- b) **Älä missään tapauksessa yritä itse korjata vaurioituneita akkuja.** Akkuja saa korjata vain valmistaja tai valtuutettu huoltopiste.

AKKUISKURUUVINVÄÄNTIMEN TURVALLISUUSOHJEET

- **Tartu sähkötyökaluun ainoastaan eristetyistä pinoista, tehdessäsi työtä, jossa ruuvi saattaisi osua piilossa olevaan sähköjohtoon** (kosketus jännitteeseen johtoon voi saattaa sähkötyökalun metalliosat jännitteiseksi ja johtaa sähköiskuun)

YLEISTÄ

- **Materiaaleista, kuten lyijypitoinen maali, jotkut puulajit, mineraalit ja metalli, tuleva pöly voi olla vahingollista** (kosketuksiin joutuminen pölyn kanssa tai sen sisään hengittäminen voi aiheuttaa käyttäjälle tai sivustakatsojille allergiareaktioita ja/tai hengitysvaivoja); **käytä pölynaamaria ja työskentele pölynpoistolaitteen kanssa, kun sellainen on liitettävissä**
- **Tietäntyyppiset pölyt on luokiteltu karsinogeenisiksi** (kuten tammi- ja pyökkipöly) erityisesti puun käsittelyyn käytettävien lisäaineiden yhteydessä; **käytä pölynaamaria ja työskentele pölynpoistolaitteen kanssa, kun sellainen on liitettävissä**
- **Noudata maakohtaisia pölyn liittyviä sääntöjä**
- **Älä koskaan työstä asbestipitoista ainetta** (asbestia pidetään karsinogeenisena)
- **Varmista, että kytkin B ② on keskellä** (lukitus)asennossa, ennen kuin suoritat säätöjä, vaihdat tarvikkeita tai siirrat koneen varastoitavaksi

VARUSTEET

- **SKIL pystyy takaamaan työkalun moitteettoman toiminnan vain, kun käytetään alkuperäisiä tarvikkeita**
- **Käytä vain tarvikkeita, joiden sallittu kierrosnuku on vähintään yhtä suuri kuin laitteen suurin tyhjäkäyntikierrosnuku**

ENNEN KÄYTTÖÄ

- **Vältä vaaralliset vahingot, jotka voivat aiheutua nauloista, ruuveista tai muista aineista työstettävässä materiaalissa; poista ne ennen työskentelyn aloittamista**
- **Kiinnitä työstettävä kappale** (kiinnittimeen tai puristimeen kiinnitetty työstettävä kappale pysyy tukevammin paikoillaan kuin käsin pidettäessä)
- **Käytä sopivia etsintälaitteita piilossa olevien syöttöjohtojen paikallistamiseksi, tai käänny paikallisen jakeluhtiön puoleen** (kosketus sähköjohtoon saattaa johtaa tulipaloon ja sähköiskuun; kaasuputken vahingoittaminen saattaa johtaa räjähdyksen; vesijohtoon tunkeutuminen aiheuttaa aineellista vahinkoa tai saattaa johtaa sähköiskuun)

AKKU

- **Mukana tullut akku on osittain ladattu** (varmista akun täysi kapasiteetti lataamalla se täyteen akkularissa, ennen kuin käytät sähkötyökalua ensimmäistä kertaa)
- **Käytä tämän työkalun yhteydessä vain seuraavia akkuja ja latureita**
 - SKIL-akku: BR1*31****
 - SKIL-laturi: CR1*31****
- **Älä käytä vahingoittunutta akku, vaan vaihda se välittömästi**
- **Älä pura akku**
- **Suojele konettasi/akku sateelta**
- **Sallittu ympäristön lämpötila** (työkalu/latauslaite/akku):
 - ladattaessa 4...40°C

- käytössä -20...+50°C
- varastoinnissa -20...+50°C

TYÖKALUN/AKUN SYMBOLIEN SELITYKSET

- ③ Lue käyttöohjeet ennen käyttöä
- ④ Akut räjähtävät, jos ne hävitetään polttamalla, joten älä missään tapauksessa polta niitä
- ⑤ Säilytä konetta/latauslaitetta/akkuja paikoissa, joissa lämpötila ei nouse yli 50°C
- ⑥ Älä hävitä sähkötyökäluä ja paristoja tavallisen kotitalousjätteen mukana

KÄYTTÖ

- Käynnistys ja nopeudensäätö samalla kytkimellä A ②
 - valitse nopeus portaattomasti nollassa maksiminopeuteen painamalla enemmän tai vähemmän kytkintä A⑭
- Akun lataus
 - ! lue laturin mukana toimitetut varoitukset ja ohjeet**
- Akun poistaminen/asentaminen ②
- Vyökiinnikkeen kiinnittäminen ⑦
 - kiinnitä vyökiinnike G porakoneeseen mukana tulleella ruuvilla.
- Akun lataustilan merkkivalo ⑧
 - paina akun lataustilan ilmaisinpainiketta H saadaksesi näkyviin akun tämänhetkisen lataustilan.
- Pyörintäsuunnan vaihto ⑨
 - jos säätöä ei ole oikein asetettu vasen/oikea -asentoon, kytkintä A ② ei voi käynnistää
 - ! muuta pyörintäsuuntaa vain kun työkalu on täysin pysäytetty**
- Kärkien vaihto ⑩
 - irrota terä vetämällä lukitusholkkia C eteenpäin ②
 - vedä lukitusholkkia C eteenpäin, aseta terä rajoittimeen terän pidikkeeseen ja vapauta lukitusholkki C terän lukitsemiseksi. ⑩a ⑩b ⑩c
 - ! käytä ainoastaan teriä, joissa on pallokiinnike, muita teriä voidaan käyttää yleisteränpidikkeen kanssa, jossa on pallokiinnike ⑩b**
 - ! älä käytä kärkiä, joiden varsi on vahingoittunut**
- Akun suojaus
 - Sammu työkalun tai estää työkalun kytkemisen päälle, kun
 - kuormitus on liian suuri
 - akun lämpötila ei ole sallitulla käyttöalueella -20 +50°C
 - litiumioniakku on lähes tyhjä (akun suojaamiseksi syvätyhjenemiseltä)
 - ! älä paina käynnistyskytkintä sen jälkeen, kun työkalu on kytketty pois päältä automaattisesti; akku voi vahingoittua**
- Ledvalo F ⑪
 - LED-valo F syttyy automaattisesti, kun kytkin aktivoidaan A ①
- Koneen pitäminen ja ohjaaminen ⑫
 - ! pidä työkalusta kiinni aina työskentelyn aikana harmaan värisestä kädensija(oi)sta**
 - pidä ilmanvaihto-aukkoja E ② peittämättöminä
 - älä paina työkalua liian voimakkaasti; vaan anna työkalun tehdä työ puolestasi

VINKKEJÄ

- Käytä oikeantyyppisiä kärkiä ⑮
- Kun ruuvi väännetään lähelle puun reunaa, pitää porata esireikä ruuvia varten, jotta estetään puun halkeaminen
- Jotta laitteesta saataisiin mahdollisimman suuri hyöty, ruuvia on painettava tasaisesti, varsinkin ruuvia irrotettaessa
- Väännettäessä ruuveja kovaan puuhun tulisi ensin porata esireikä
- Lisätietoja on tarjolla web-osoitteessa www.skil.com

HOITO / HUOLTO

- Tätä työkalua ei ole tarkoitettu ammattikäyttöön
- Pidä työkalu puhtaana (varmista erityisesti ilma-aukkojen puhtaus E ②)
 - ! poista akku työkalusta ennen puhdistusta**
- Jos sähkötyökäluä, huolellisesta valmistuksesta ja koestusmenettelystä huolimatta esiintyy vikaa, tulee korjaus antaa SKIL sopimushuollon tehtäväksi
 - toimita työkalu sitä osiin **purkamatta** lähimpään SKIL-huoltoon (osoitteet ja työkalun huoltokaava ovat tarjolla web-osoitteessa www.skil.com) ostotodiste mukaan liitettynä
- Ota huomioon, että takuu ei kata työkalun ylikuormituksesta tai vääärstä käsittelystä johtuvia vahinkoja (katso SKILin takuu ehdot osoitteesta www.skil.com tai kysy jälleenmyyjältä)

YMPÄRISTÖNSUOJELU

- **Älä hävitä sähkötyökäluä, paristoja, tarvikkeita tai pakkausta tavallisen kotitalousjätteen mukana** (koskee vain EU-maita)
 - vanhoja sähkö- ja elektroniikkalaitteita koskevan EU-direktiivin 2012/19/ETY ja sen maakohtaisten sovellusten mukaisesti käytetyt sähkötyökäluä on toimitettava ongelmajätteen keräyspisteeseen ja ohjattava ympäristöstävälliseen kierrätykseen
 - symboli ⑥ muistuttaa tästä, kun käytöstä poisto tulee ajankohtaiseksi
 - ! poistaessasi akun käytöstä peitä plus- ja miinusnapa sähköteipillä oikosulun estämiseksi**

MELU / TÄRINÄ

- Tämän työkalun standardin EN 62841 mukaisesti mitattu äänenpainotaso on 94,5 dB(A) ja äänenvoimakkuus 105,5 dB(A) (epävarmuus K = 3 dB), ja värinä 14,5 m/s²* (triax-vektorisumma, epävarmuus K = 1.5 m/s²)
- Tärinäsäteilytaso on mitattu standardin EN 62841 mukaisen standarditestin mukaisesti; sitä voidaan käyttää verrattaessa yhtä laitetta toiseen sekä alustavana värinälle altistumisen arviona käytettäessä laitetta manituissa käyttötarkoituksissa
 - laitteen käyttö eri käyttötarkoituksiin tai erilaisten tai huonosti ylläpidettyjen lisälaitteiden kanssa voi lisätä merkittävästi altistumistasoa
 - laitteen ollessa sammuksissa tai kun se on käynnissä, mutta sillä ei tehdä työtä, altistumistaso voi olla huomattavasti pienempi
 - ! suojaudu värinän vaikutuksilla ylläpitämällä laite ja sen lisävarusteet, pitämällä kädet lämpiminä ja järjestämällä työmenetelmät**

Atornillador de impacto a batería 3210

INTRODUCCIÓN

- Esta herramienta está concebida para atornillar y desatornillar tornillos y pernos
- Esta herramienta no está concebida para uso profesional
- Lea y conserve este manual de instrucciones ③

DATOS TÉCNICOS ①

Par de giro máx. en unión atornillada rígida según ISO 5393 : 140Nm

ELEMENTOS DE LA HERRAMIENTA ②

- A Interruptor para encendido/apagado y control de velocidad
- B Interruptor para invertir la dirección de giro
- C Casquillo de bloqueo
- D Indicador de la dirección seleccionada de giro
- E Ranuras de ventilación
- F Luz LED
- G Enganche de cinturón
- H Indicador del nivel de carga de la batería

SEGURIDAD

ADVERTENCIAS DE PELIGRO GENERALES PARA HERRAMIENTAS ELÉCTRICAS

⚠ ADVERTENCIA Lea todas las advertencias de seguridad, instrucciones, ilustraciones y especificaciones entregadas con esta herramienta eléctrica. El incumplimiento de alguna de las instrucciones que figuran a continuación puede ser causa de descargas eléctricas, incendios o lesiones graves.

Guardar todas las advertencias de peligro e instrucciones para futuras consultas.

El término "herramienta eléctrica" empleado en las siguientes advertencias de peligro se refiere a herramientas eléctricas de conexión a la red (con cable de red) y a herramientas eléctricas accionadas por acumulador (o sea, sin cable de red).

1) SEGURIDAD DEL PUESTO DE TRABAJO

- a) **Mantenga limpia y bien iluminada su área de trabajo.** El desorden o una iluminación deficiente en las áreas de trabajo pueden provocar accidentes.
- b) **No utilice la herramienta eléctrica en un entorno con peligro de explosión, en el que se encuentren combustibles líquidos, gases o material en polvo.** Las herramientas eléctricas producen chispas que pueden llegar a inflamar los materiales en polvo o vapores.
- c) **Mantenga alejados a los niños y otras personas de su área de trabajo al emplear la herramienta eléctrica.** Una distracción le puede hacer perder el control sobre la herramienta.

2) SEGURIDAD ELÉCTRICA

- a) **El enchufe de la herramienta eléctrica debe corresponder a la toma de corriente utilizada. No es admisible modificar el enchufe en forma alguna. No emplear adaptadores en herramientas eléctricas dotadas con una toma de tierra.** Los enchufes sin modificar adecuados a las respectivas tomas de corriente reducen el riesgo de una descarga eléctrica.
- b) **Evite que su cuerpo toque partes conectadas a tierra como tuberías, radiadores, cocinas y refrigeradores.** El riesgo a quedar expuesto a una descarga eléctrica es mayor si su cuerpo tiene contacto con tomas de tierra.
- c) **No exponga las herramientas eléctricas a la lluvia o a condiciones de humedad.** Existe el peligro de recibir una descarga eléctrica si penetran líquidos en la herramienta eléctrica.
- d) **No utilice el cable de red para transportar o colgar la herramienta eléctrica, ni tire de él para sacar el enchufe de la toma de corriente. Mantenga el cable de red alejado del calor, aceite, esquinas cortantes o piezas móviles.** Los cables de red dañados o enredados pueden provocar una descarga eléctrica.
- e) **Al trabajar con la herramienta eléctrica en la intemperie utilice solamente cables de prolongación homologados para su uso en exteriores.** La utilización de un cable de prolongación adecuado para su uso en exteriores reduce el riesgo de una descarga eléctrica.
- f) **Si el funcionamiento de una herramienta eléctrica en un lugar húmedo fuese inevitable, utilice un cortacircuito de fuga a tierra.** El uso de un cortacircuito de fuga a tierra reduce el riesgo de descarga eléctrica.

3) SEGURIDAD DE PERSONAS

- a) **Esté atento y emplee la herramienta eléctrica con prudencia. No utilice la herramienta eléctrica si estuviese cansado, ni bajo los efectos de alcohol, drogas o medicamentos.** El no estar atento durante el uso de una herramienta eléctrica puede provocarle serias lesiones.
- b) **Utilice un equipo de protección personal y en todo caso unas gafas de protección.** El riesgo a lesionarse se reduce considerablemente si, dependiendo del tipo y la aplicación de la herramienta eléctrica empleada, se utiliza un equipo de protección adecuado como una mascarilla antipolvo, zapatos de seguridad con suela antideslizante, casco, o protectores auditivos.
- c) **Evite una puesta en marcha fortuita. Asegurarse de que la herramienta eléctrica esté desconectada antes de conectarla a la toma de corriente y/o al montar el acumulador, al recogerla, y al transportarla.** Si transporta la herramienta eléctrica sujetándola por el interruptor de conexión/desconexión, o si introduce el enchufe en la toma de corriente con la herramienta eléctrica conectada, ello puede dar lugar a un accidente.
- d) **Retire las herramientas de ajuste o llaves fijas antes de conectar la herramienta eléctrica.** Una herramienta o llave colocada en una pieza rotativa puede producir lesiones graves al accionar la herramienta eléctrica.
- e) **Sea precavido. Trabaje sobre una base firme y mantenga el equilibrio en todo momento.** Ello le

permitirá controlar mejor la herramienta eléctrica en caso de presentarse una situación inesperada.

- f) **Lleve puesta una vestimenta de trabajo adecuada. No utilice vestimenta amplia ni joyas. Mantenga su pelo y vestimenta alejados de las piezas móviles.** La vestimenta suelta, las joyas y el pelo largo se pueden enganchar con las piezas en movimiento.
- g) **Siempre que sea posible utilizar equipos de aspiración o captación de polvo, asegúrese que éstos estén montados y que sean utilizados correctamente.** El empleo de estos equipos reduce los riesgos derivados del polvo.
- h) **No permita que la familiaridad ganada por el uso frecuente de la herramienta eléctrica lo deje creerse seguro e ignorar las normas de seguridad.** Una acción negligente puede causar lesiones graves en una fracción de segundo.

4) CUIDADO Y UTILIZACIÓN DE HERRAMIENTAS ELÉCTRICAS

- a) **No sobrecargue la herramienta eléctrica. Use la herramienta eléctrica prevista para el trabajo a realizar.** Con la herramienta eléctrica adecuada podrá trabajar mejor y con mayor seguridad dentro del margen de potencia indicado.
- b) **No utilice herramientas eléctricas con un interruptor defectuoso.** Las herramientas eléctricas que no se puedan conectar o desconectar son peligrosas y deben repararse.
- c) **Saque el enchufe de la red y/o retire el acumulador desmontable de la herramienta eléctrica, antes de realizar un ajuste, cambiar de accesorio o al guardar la herramienta eléctrica.** Esta medida preventiva reduce el riesgo de conectar accidentalmente la herramienta eléctrica.
- d) **Guarde las herramientas eléctricas fuera del alcance de los niños y de las personas que no estén familiarizadas con su uso.** Las herramientas eléctricas utilizadas por personas inexpertas son peligrosas.
- e) **Cuide la herramienta eléctrica y los accesorios con esmero. Controle si funcionan correctamente, sin atascarse, las partes móviles de la herramienta eléctrica, y si existen partes rotas o deterioradas que pudieran afectar al funcionamiento de la herramienta eléctrica. Si la herramienta eléctrica estuviese defectuosa haga repararla antes de volver a utilizarla.** Muchos de los accidentes se deben a herramientas eléctricas con un mantenimiento deficiente.
- f) **Mantenga los útiles limpios y afilados.** Los útiles mantenidos correctamente se dejan guiar y controlar mejor.
- g) **Utilice herramientas eléctricas, accesorios, útiles, etc. de acuerdo con estas instrucciones, teniendo en cuenta las condiciones de trabajo y la tarea a realizar.** El uso de herramientas eléctricas para trabajos diferentes de aquellos para los que han sido concebidas puede resultar peligroso.
- h) **Mantenga las empuñaduras y las superficies de las empuñaduras secas, limpias y libres de aceite y grasa.** Las empuñaduras y las superficies de las empuñaduras resbaladizas no permiten un manejo y control seguro de la herramienta eléctrica en situaciones imprevistas.

5) CUIDADO Y UTILIZACIÓN DE HERRAMIENTAS ACCIONADAS POR ACUMULADOR

- a) **Cargue los acumuladores únicamente con los cargadores recomendados por el fabricante.** Existe riesgo de incendio al intentar cargar acumuladores de un tipo diferente al previsto para el cargador.
- b) **Emplee únicamente los acumuladores previstos para la herramienta eléctrica.** El uso de otro tipo de acumuladores puede provocar daños e incluso un incendio.
- c) **Si no utiliza el acumulador, guárdelo separado de clips, monedas, llaves, clavos, tornillos o demás objetos metálicos que pudieran puentear sus contactos.** El cortocircuito de los contactos del acumulador puede causar quemaduras o un incendio.
- d) **La utilización inadecuada del acumulador puede provocar fugas de líquido. Evite el contacto con él. En caso de un contacto accidental enjuagar el área afectada con abundante agua. En caso de un contacto con los ojos recurra además inmediatamente a un médico.** El líquido del acumulador puede irritar la piel o producir quemaduras.
- e) **No emplee acumuladores o útiles dañados o modificados.** Los acumuladores dañados o modificados pueden comportarse en forma imprevisible y producir un fuego, explosión o peligro de lesión.
- f) **No exponga un acumulador o una herramienta eléctrica al fuego o a una temperatura demasiado alta.** La exposición al fuego o a temperatura sobre 130°C puede causar una explosión.
- g) **Siga todas las instrucciones para la carga y no cargue nunca el acumulador o la herramienta eléctrica a una temperatura fuera del margen correspondiente especificado en las instrucciones.** Una carga inadecuada o a temperaturas fuera del margen especificado puede dañar el acumulador y aumentar el riesgo de incendio.

6) SERVICIO

- a) **Únicamente haga reparar su herramienta eléctrica por un profesional, empleando exclusivamente piezas de repuesto originales.** Solamente así se mantiene la seguridad de la herramienta eléctrica.
- b) **No repare los acumuladores dañados.** El entretenimiento de los acumuladores sólo debe ser realizado por el fabricante o un servicio técnico autorizado.

INSTRUCCIONES DE SEGURIDAD PARA ATORNILLADORES DE IMPACTO A BATERIA

- **Sujete la herramienta eléctrica por las superficies de agarre aisladas al realizar trabajos en los que la fijación pueda tocar conductores eléctricos ocultos** (el contacto de las fijaciones con conductores bajo tensión puede hacer que las partes metálicas de la herramienta eléctrica pasen a estar en tensión y provoquen una descarga eléctrica)

GENERAL

- El polvo del material, como la pintura que contiene plomo, algunas especies de madera, minerales y metal podrían ser dañinos (el contacto o inhalación del polvo podría producir reacciones alérgicas y trastornos respiratorios al operador o a otras personas que se

encontrasen en la zona); **utilice una máscara contra el polvo y trabaje con un dispositivo de extracción de polvo cuando lo conecte**

- Ciertos tipos de polvo están catalogados como cancerígenos (por ejemplo el polvo de roble y de haya) especialmente junto con aditivos para el acondicionamiento de la madera; **utilice una máscara contra el polvo y trabaje con un dispositivo de extracción de polvo cuando lo conecte**
- Siga la normativa nacional en cuanto a extracción de polvo, en función de los materiales que vayan a ser utilizados
- **No trabaje materiales que contengan amianto** (el amianto es cancerígeno)
- Cerciorarse de que el interruptor B ② está en la posición central (posición de bloqueo) antes de realizar ajustes en la herramienta o un cambio de accesorios así como para el transporte o para guardar la herramienta

ACCESORIOS

- SKIL únicamente puede garantizar un funcionamiento correcto de la herramienta al emplear accesorios originales
- Utilice únicamente accesorios cuyo límite de revoluciones permitido sea como mínimo igual a las revoluciones en vacío máximas de la herramienta

ANTES DEL USO

- Evite los daños que puedan causar los tornillos, clavos y otros objetos sobre la pieza de trabajo; retírelos antes de empezar a trabajar
- **Asegure la pieza de trabajo** (una pieza de trabajo fijada con unos dispositivos de sujeción o en un tornillo de banco, se mantiene sujeta de forma mucho más segura que con la mano)
- **Utilice aparatos de detección adecuados para localizar posibles conductores o tuberías ocultas, o consulte a su compañía abastecedora** (el contacto con conductores eléctricos puede provocar una descarga eléctrica e incluso un incendio; al dañar una tubería de gas puede producirse una explosión; la perforación de una tubería de agua pueden causar daños materiales o una descarga eléctrica)

BATERÍAS

- **La batería proporcionada está parcialmente cargada** (para garantizar la capacidad total de la batería cárguela completamente en el cargador antes de utilizar por primera vez la herramienta eléctrica)
- **Utilice únicamente los siguientes cargadores y baterías con esta herramienta**
 - Batería SKIL: BR1*31****
 - Cargador SKIL: CR1*31****
- Nunca utilice la batería estropeada; debe de ser cambiada inmediatamente
- No desarme la batería
- No exponga la herramienta/batería a la lluvia
- Temperatura ambiente permitida (herramienta/cargador/batería):
 - durante la carga 4...40°C
 - durante el servicio -20...+50°C
 - durante el almacenamiento -20...+50°C

EXPLICACIÓN DE SÍMBOLOS DE HERRAMIENTA/BATERÍA

- ③ Lea el manual de instrucciones antes de utilizarla
- ④ Las baterías estallarán si se tiran al fuego, por ningún motivo caliente las baterías
- ⑤ Guarde la herramienta/cargador/batería en un lugar

donde la temperatura no exceda los 50°C

- ⑥ No deseche las herramientas eléctricas y las pilas junto con los residuos domésticos

USO

- Interruptor combinado on/off y control de velocidad A ②
 - controla la velocidad acelerando de 0 hasta la máxima, apretando el gatillo acelerador A ④
- Recargue de la batería
 - ! **lea las instrucciones y la advertencias de seguridad entregadas con el cargador**
- Extracción/instalación de la batería ②
- Acoplamiento del enganche de cinturón ⑦
 - acople el enganche de cinturón G al taladro con el tornillo proporcionado.
- Indicador del nivel de batería ⑧
 - pulse el botón indicador de nivel de la batería H para mostrar el nivel actual de carga.
- Inversión de la dirección de giro ⑨
 - si el inversor de giro no está adecuadamente colocado en la posición izquierda/derecha, el interruptor A ② no podrá ser activado
 - ! **sólo invierta la dirección de giro cuando la herramienta esté completamente parada**
- Cambio de brocas ⑩
 - para extraer una broca, tire del casquillo de bloqueo C hacia adelante ②
 - tire del casquillo de bloqueo C hacia adelante, introduzca la broca en el portabrocas hasta el tope y suelte el casquillo de bloqueo C para que la broca quede bloqueada. ⑩a ⑩b ⑩c
 - ! **utilice exclusivamente brocas con cierre de bola, se pueden utilizar otras brocas con un portabrocas universal con cierre de bola ⑩b**
 - ! **no utilice brocas con un mago deteriorado**
- Protección de la batería
 - Apaga la herramienta o impide que la herramienta se encienda, cuando
 - la carga es demasiado elevada
 - la temperatura de la batería no se encuentra en el rango de temperatura operativa permitido de entre -20 y +50°C
 - la batería de ion-litio se encuentra casi vacía (para su protección frente a una descarga intensa)
 - ! **no continúe pulsando el interruptor de encendido después de que se apague automáticamente la herramienta; se puede dañar la batería**
- Luz LED F ⑪
 - La luz LED F se enciende automáticamente cuando se activa el interruptor A ①
- Sujeción y manejo de la herramienta ⑫
 - ! **durante el trabajo, sujete siempre la herramienta por la(s) zona(s) de empuñadura de color gris**
 - mantenga las ranuras de ventilación E ② descubiertas
 - no ejerza demasiada presión en la herramienta; deje que la herramienta haga su trabajo

CONSEJOS DE APLICACIÓN

- Utilice las brocas adecuadas ⑬
- Taladrar de antemano un agujero para poder atornillar en/cerca o al lado de la madera para prevenir la rotura de ésta

- Para un uso óptimo de su herramienta es necesaria una presión constante sobre el tornillo ante todo en la extracción del mismo
- Cuando atornille en madera dura realice un pequeño agujero previamente
- Si desea más información, visite www.skil.com

MANTENIMIENTO / SERVICIO

- Esta herramienta no está concebida para uso profesional
- Mantenga siempre limpia la herramienta (sobre todo las ranuras de ventilación E ②)
! **extraiga la batería de la herramienta antes de la limpieza**
- Si a pesar de los esmerados procesos de fabricación y control, la herramienta llegase a averiarse, la reparación deberá encargarse a un servicio técnico autorizado para herramientas eléctricas SKIL
 - envíe la herramienta **sin desmontar** junto con una prueba de su compra a su distribuidor o a la estación de servicio más cercana de SKIL (los nombres así como el despiece de piezas de la herramienta figuran en www.skil.com)
- Tenga presente que los daños debido a sobrecargas o al manejo inadecuado de la herramienta serán excluidos de la garantía (consulte las condiciones de garantía de SKIL en www.skil.com o consulte a su distribuidor)

AMBIENTE

- **No deseché las herramientas eléctricas, las pilas, los accesorios y embalajes junto con los residuos domésticos** (sólo para países de la Unión Europea)
 - de conformidad con la Directiva Europea 2012/19/CE sobre residuos de aparatos eléctricos y electrónicos y su aplicación de acuerdo con la legislación nacional, las herramientas eléctricas cuya vida útil haya llegado a su fin se deberán recoger por separado y trasladar a una planta de reciclaje que cumpla con las exigencias ecológicas
 - símbolo ⑥ llamará su atención en caso de necesidad de tirarlas
- ! **es prioritario disponer de terminales protectores de baterías para evitar un corto circuito**

RUIDOS / VIBRACIONES

- Realizando mediciones según EN 62841, el nivel de presión acústica de esta herramienta es 94,5 dB(A) y el nivel de potencia acústica es de 105,5 dB(A) (incertidumbre K = 3 dB), y la vibración 14,5 m/s² suma vectorial triaxial; incertidumbre K = 1,5 m/s²)
- El nivel de emisión de vibraciones ha sido medido según una prueba estándar proporcionada en EN 62841; puede utilizarse para comparar una herramienta con otra y como valoración preliminar de la exposición a las vibraciones al utilizar la herramienta con las aplicaciones mencionadas
 - al utilizarla para distintas aplicaciones o con accesorios diferentes o con un mantenimiento deficiente, podría **augmentar** de forma notable el nivel de exposición
 - en las ocasiones en que se apaga la herramienta o cuando está funcionando pero no está realizando ningún trabajo, se podría **reducir** el nivel de exposición de forma importante

! protéjase contra los efectos de la vibración realizando el mantenimiento de la herramienta y sus accesorios, manteniendo sus manos calientes y organizando sus patrones de trabajo



P

Aparafusadora de impacto sem fio

3210

INTRODUÇÃO

- Esta ferramenta serve para aparafusar e desaparafusar parafusos
- Esta ferramenta não se destina a utilização profissional
- Leia e guarde este manual de instruções ③

DADOS TÉCNICOS ①

Máx. binário de aparafusamento duro conforme ISO 5393 : 140Nm

ELEMENTOS DA FERRAMENTA ②

- A Interruptor para ligar/desligar e regulação da velocidade
- B Comutador para inverter o sentido da rotação
- C Manga de bloqueio
- D Indicador do sentido de rotação seleccionada
- E Aberturas de ventilação
- F Luz LED
- G Clipe do cinto
- H Indicador do nível de carregamento da bateria

SEGURANÇA

INDICAÇÕES GERAIS DE SEGURANÇA PARA FERRAMENTAS ELÉTRICAS

AVISO Leia todos os avisos de segurança, instruções, ilustrações e especificações fornecidas com esta ferramenta eléctrica. O incumprimento de todas as instruções enumeradas abaixo poderá resultar em choque eléctrico, incêndio e/ou lesão grave.

Guarde bem todas as advertências e instruções para futura referência.

O termo "ferramenta eléctrica" utilizado a seguir nas indicações de advertência, refere-se a ferramentas eléctricas operadas com corrente de rede (com cabo de rede) e a ferramentas eléctricas operadas com acumulador (sem cabo de rede).

1) SEGURANÇA DA ÁREA DE TRABALHO

- a) **Mantenha a sua área de trabalho limpa e arrumada.** Desordem ou áreas de trabalho com fraca iluminação podem causar acidentes.
- b) **Não trabalhar com a ferramenta eléctrica em áreas**

com risco de explosão, nas quais se encontrem líquidos, gases ou pós inflamáveis. Ferramentas eléctricas produzem faíscas que podem provocar a ignição de pó e vapores.

- c) **Mantenha crianças e outras pessoas afastadas da ferramenta eléctrica durante o trabalho com a ferramenta.** Distrações podem causar a falta de controlo sobre o aparelho.
- 2) **SEGURANÇA ELÉTRICA**
- a) **As fichas das ferramentas eléctricas devem caber na tomada. A ficha não deve ser modificada de modo algum. Não utilize quaisquer fichas de adaptação junto com ferramentas eléctricas ligadas à terra.** Fichas sem modificações e tomadas adequadas reduzem o risco de choques eléctricos.
- b) **Evite que o corpo entre em contacto com superfícies ligadas à terra, como por exemplo tubos, radiadores, fogões e geladeiras.** Há um risco elevado de choques eléctricos, caso o corpo for ligado à terra.
- c) **A ferramenta eléctrica não deve ser exposta à chuva nem humidade.** A penetração de água na ferramenta eléctrica aumenta o risco de choques eléctricos.
- d) **O cabo do aparelho não deve ser utilizado para o transporte, para pendurar o aparelho, nem para puxar a ficha da tomada. Mantenha o cabo afastado de calor, óleo, cantos afiados ou partes em movimento do aparelho.** Cabos danificados ou torcidos aumentam o risco de choques eléctricos.
- e) **Ao trabalhar com a ferramenta eléctrica ao ar livre, use um cabo de extensão apropriado para áreas externas.** O uso de um cabo apropriado para áreas externas reduz o risco de choques eléctricos.
- f) **Se não for possível evitar o funcionamento da ferramenta eléctrica em áreas húmidas, deverá ser utilizado um disjuntor de corrente de avaria.** A utilização de um disjuntor de corrente de avaria reduz o risco de um choque eléctrico.
- 3) **SEGURANÇA DE PESSOAS**
- a) **Esteja alerta, observe o que está a fazer, e tenha prudência ao trabalhar com a ferramenta eléctrica. Não use a ferramenta eléctrica se estiver fatigado ou sob a influência de drogas, álcool ou medicamentos.** Um momento de falta de atenção durante a operação da ferramenta eléctrica pode causar graves lesões.
- b) **Utilizar equipamento de protecção pessoal e sempre óculos de protecção.** A utilização de equipamento de protecção pessoal, como máscara de protecção contra pó, sapatos de segurança antiderrapantes, capacete de segurança ou protecção auricular, de acordo com o tipo e aplicação da ferramenta eléctrica, reduz o risco de lesões.
- c) **Evitar uma colocação em funcionamento involuntária. Assegure-se de que a ferramenta eléctrica esteja desligada, antes de conectá-la à alimentação de rede e/ou ao acumulador, antes de levantá-la ou de transportá-la.** Se tiver o dedo no interruptor ao transportar a ferramenta eléctrica ou se o aparelho for conectado à alimentação de rede enquanto estiver ligado, poderão ocorrer acidentes.
- d) **Remover chaves de ajustes ou chaves de fenda, antes de ligar a ferramenta eléctrica.** Uma chave de

fenda ou chave de ajuste que se encontre numa parte móvel do aparelho, pode levar a lesões.

- e) **Não se sobrestime. Mantenha uma posição firme e mantenha sempre o equilíbrio.** Desta forma poderá ser mais fácil controlar o aparelho em situações inesperadas.
- f) **Use roupa apropriada. Não use roupa larga ou jóias. Mantenha os cabelos e roupas afastados de partes em movimento.** Roupas largas, jóias ou cabelos longos podem ser agarradas por partes em movimento.
- g) **Se for prevista a montagem de dispositivos de aspiração de pó e de dispositivos de recolha, assegure-se de que estão conectados e que sejam utilizados de forma correcta.** A utilização de uma aspiração de pó pode reduzir o perigo devido ao pó.
- h) **Não deixe que a familiaridade resultante de uma utilização frequente de ferramentas permita que você se torne complacente e ignore os princípios de segurança da ferramenta.** Uma acção descuidada pode causar ferimentos graves numa fração de segundo.
- 4) **USO E TRATAMENTO DE FERRAMENTAS ELÉTRICAS**
- a) **Não sobrecarregue a ferramenta eléctrica. Use para o seu trabalho a ferramenta eléctrica correcta.** A ferramenta correcta realizará o trabalho de forma melhor e mais segura dentro da faixa de potência indicada.
- b) **Não utilize a ferramenta eléctrica se o interruptor não puder ser ligado nem desligado.** Qualquer ferramenta eléctrica que não possa ser controlada através do interruptor de ligar-desligar, é perigosa e deve ser reparada.
- c) **Puxar a ficha da tomada e/ou remover o acumulador, se amovível, antes de executar ajustes na ferramenta, de substituir acessórios ou de guardar a ferramenta.** Esta medida de segurança evita que a ferramenta eléctrica seja ligada acidentalmente.
- d) **Guarde ferramentas eléctricas que não estiverem sendo utilizadas, for a do alcance de crianças. Não permita que o aparelho seja utilizado por pessoas não familiarizadas com o mesmo ou que não tenham lido estas instruções.** Ferramentas eléctricas são perigosas nas mãos de pessoas sem treinamento.
- e) **Trate a ferramenta eléctrica e os acessórios com cuidado. Verifique se as partes móveis do aparelho funcionam perfeitamente e não emperram, se há peças quebradas ou danificadas, que possam influenciar o funcionamento do aparelho. Peças danificadas devem ser reparadas antes da utilização do aparelho.** Muitos acidentes tem como causa uma manutenção insuficiente das ferramentas eléctricas.
- f) **Mantenha as ferramentas de corte sempre afiadas e limpas.** Ferramentas de cortes devidamente tratadas, com cantos afiados travam com menos frequência e podem ser controladas com maior facilidade.
- g) **Use a ferramenta eléctrica, os acessórios os bits da ferramenta etc., de acordo com estas instruções. Considere também as condições de trabalho e o trabalho a ser efectuado.** A utilização da ferramenta eléctrica para outros fins que os previstos, pode resultar em situações perigosas.
- h) **Mantenha os punhos e as superfícies de agarrar secas, limpas e livres de óleo e massa consistente.**

Punhos e superfícies de agarrar escorregadias não permitem o manuseio e controlo seguros da ferramenta em situações inesperadas.

5) USO E TRATAMENTO DE APARELHOS COM ACUMULADOR

- a) **Apenas deverá carregar em carregadores, acumuladores recomendados pelo fabricante.** Um carregador que é apropriado para um tipo de acumulador, pode causar um incêndio se se for utilizado para carregar outros acumuladores.
 - b) **Apenas utilize nas ferramentas eléctricas os acumuladores previstos.** A utilização de outros acumuladores pode levar a lesões e riscos de incêndio.
 - c) **Quando o acumulador não estiver em uso, mantenha-o afastado de outros objectos de metal, como por exemplo agrafas, moedas, chaves, pregos, parafusos, ou outros pequenos objectos metálicos que possam ligar em ponte os contactos.** Um curto circuito entre os contactos do acumulador pode causar queimaduras ou incêndio.
 - d) **Aplicações inadequadas podem provocar fugas do líquido do acumulador. Evite o contacto com este líquido. No caso de um contacto acidental, lave imediatamente com água fresca. Se o líquido entrar em contacto com os olhos, procure um auxílio médico.** O líquido que escapa do acumulador pode levar a irritações ou queimaduras da pele.
 - e) **Não use um acumulador ou uma ferramenta danificada ou modificada.** Os acumuladores danificados ou modificados exibem um comportamento imprevisível podendo causar incêndio, explosão ou risco de lesão.
 - f) **Não exponha o acumulador ou a ferramenta ao fogo ou temperatura excessiva.** Exposição ao fogo ou a uma temperatura acima de 130°C pode causar explosão.
 - g) **Siga todas as instruções de carregamento e não carregue o acumulador ou a ferramenta fora da faixa de temperatura especificada no manual de instruções.** Carregar indevidamente ou em temperaturas fora da faixa especificada pode danificar o acumulador e aumentar o risco de incêndio.
- 6) **SERVIÇO**
- a) **A sua ferramenta eléctrica só deve ser reparada por pessoal qualificado e só devem ser colocadas peças sobressalentes originais.** Desta forma é assegurada a segurança da ferramenta eléctrica.
 - b) **Nunca tente reparar acumuladores danificados.** A reparação de acumuladores deve ser realizada apenas pelo fabricante ou agentes de assistência autorizados.

INSTRUÇÕES DE SEGURANÇA DE APARAFUSADORA DE IMPACTO SEM FIO

- **Segurar a ferramenta eléctrica pelas superfícies de punho isoladas ao executar trabalhos durante os quais a aparafusadora ou o parafuso possam atingir cabos eléctricos escondidos** (o contacto com um cabo sob tensão também pode colocar sob tensão as peças metálicas da ferramenta e levar a um choque eléctrico)

GENERAL

- O pó do material, como tinta com chumbo, algumas espécies de madeira, minerais e metais, pode ser

prejudicial (contacto ou inalação do pó pode provocar reacções alérgicas e/ou doenças respiratórias ao operador ou às pessoas presentes); **use máscara respiratória e trabalhe com um dispositivo de extracção de pó quando ligado a**

- Determinados tipos de pó são classificados como substâncias cancerígenas (como pó de carvalho e faia), em especial, juntamente com aditivos para acondicionamento da madeira; **use máscara respiratória e trabalhe com um dispositivo de extracção de pó quando ligado a**
- Siga o regulamento nacional quanto a extracção de pó, em função dos materiais que vão ser utilizados
- **Não processar material que contenha asbesto** (asbesto é considerado como sendo cancerígeno)
- Assegure-se que o comutador B ② está na posição intermédia (de bloqueado) antes de efectuar ajustes na ferramenta ou substituir acessórios assim como quando transportar ou armazenar a ferramenta

ACESSÓRIOS

- A SKIL só pode garantir um funcionamento perfeito da ferramenta, quando utilizada com os acessórios originais
- Utilize apenas acessórios com um número de rotação admissível no mínimo tão alto como o mais alto número de rotação em vazio da ferramenta

ANTES DA UTILIZAÇÃO

- Evite danificar a ferramenta em superfícies com pregos ou parafusos; remova-os antes de começar a trabalhar
- **Fixe a peça de trabalho** (uma peça de trabalho fixa com dispositivos de fixação ou num torno fica melhor fixa do que manualmente)
- **Utilizar detectores apropriados para detectar tubos e cabos de alimentação escondidos, ou consulte a firma de alimentação local** (o contacto com um cabo eléctrico pode levar a incêndio e choque eléctrico; a danificação de um cano de gás pode levar à explosão; a penetração de uma tubulação de água provoca danos materiais ou pode provocar um choque eléctrico)

BATERIAS

- **A bateria fornecida tem apenas carga parcial** (para assegurar a capacidade total da bateria, carregue completamente a bateria no carregador antes de usar a sua ferramenta eléctrica pela primeira vez)
- **Utilize apenas as seguintes baterias e carregadores com esta ferramenta**
 - Bateria SKIL: BR1*31****
 - Carregador SKIL: CR1*31****
- Não utilize baterias danificadas; devem ser substituídas imediatamente
- Não desmonte a bateria
- Não exponha a ferramenta/bateria à chuva
- Temperatura ambiente permitida (ferramenta/carregador/bateria):
 - durante o carregamento 4...40°C
 - durante o funcionamento -20...+50°C
 - durante o armazenamento -20...+50°C

EXPLICAÇÃO DOS SÍMBOLOS DA FERRAMENTA/ BATERIA

- ③ Leia o manual de instruções antes de utilizar o equipamento
- ④ As baterias explodirão quando colocadas num fogo, por isso, não queime as baterias por nenhum motivo
- ⑤ Guarde a ferramenta/carregador/bateria em locais onde a temperatura não exceda os 50°C
- ⑥ Não deite ferramentas eléctricas e pilhas no lixo doméstico

MANUSEAMENTO

- Interruptor combinado para ligar/desligar e controlo de velocidade A ②
 - o controlo da velocidade é feito do zero até ao máximo possível, pressionando o gatilho A¹⁴, para mais ou para menos velocidade
- Recarga da bateria
 - ! **leia os avisos de segurança e as instruções fornecidos com o carregador**
- Remover/instalar a bateria ②
- Prender o clipe do cinto ⑦
 - prenda o clipe do cinto G à broca com o parafuso fornecido.
- Indicador de nível da bateria ⑧
 - prima o botão do indicador de nível da bateria H para apresentar o nível actual da bateria.
- Inversão do sentido da rotação ⑨
 - quando não forem correctamente reguladas as posições esquerda/direita, o interruptor A ② não será accionado
 - ! **inverte o comutador do sentido de rotação apenas quando a ferramenta desligada**
- Substituição de pontas ⑩
 - para remover uma ponta, empurre o casquilho de bloqueio C para a frente ②
 - empurre o casquilho de bloqueio C para a frente, introduza a ponta até ao batente no suporte da ponta e liberte o casquilho de bloqueio C para prender a ponta. ⑩a ⑩b ⑩c
 - ! **use apenas pontas com tranca de bola, outras pontas podem ser usadas com um suporte de pontas universal com tranca de bola ⑩b**
 - ! **não utilize pontas com encabadoiros danificados**
- Protecção da bateria
 - Desliga a ferramenta ou impede a ferramenta de se ligar, quando
 - a carga é muito elevada
 - a temperatura da bateria não se encontrar dentro do intervalo de temperatura de funcionamento, entre -20 e +50°C
 - a bateria de iões de lítio está quase descarregada (para proteger contra descarga profunda)
 - ! **não continue a premir o interruptor de ligar/desligar após a desactivação automática da ferramenta; pode danificar a bateria**
- Luz LED F ⑪
 - A luz LED F acende automaticamente ao activar o interruptor A ①
- Segurar e guiar a ferramenta ⑫
 - ! **durante o trabalho, segure sempre a ferramenta na(s) área(s) de fixação cinzenta(s)**
 - mantenha as aberturas de ventilação E ② destapadas
 - não exerça demasiada pressão na ferramenta; deixe a ferramenta trabalhar espontaneamente

CONSELHOS DE APLICAÇÃO

- Utilize as pontas apropriadas ⑮
- Quando apertar um parafuso num rebordo de madeira, ou perto dele, deverá primeiro perfurar, a fim de evitar que a madeira estale
- Para uma perfeita utilização da ferramenta é necessário efectuar uma pressão contínua sobre o parafuso, especialmente quando do desaparafusamento

- Quando aparafusar em madeira dura é preciso pré-furar orifício
- Para mais informação, consulte www.skil.com

MANUTENÇÃO / SERVIÇO

- Esta ferramenta não se destina a utilização profissional
- Mantenha a ferramenta sempre limpa (especialmente as ranhuras de respiração E ②)
 - ! **retire a bateria da ferramenta antes de limpar**
- Se a ferramenta falhar apesar de cuidadosos processos de fabricação e de teste, a reparação deverá ser executada por uma oficina de serviço autorizada para ferramentas eléctricas SKIL
 - envie a ferramenta **sem desmontar**, juntamente com a prova de compra, para o seu revendedor ou para o centro de assistência SKIL mais próximo (os endereços assim como a mapa de peças da ferramenta estão mencionados no www.skil.com)
- Não se esqueça de que os danos provocados por sobrecarga ou manuseamento incorrecto da ferramenta estão excluídos da garantia (para mais informações sobre as condições da garantia da SKIL, consulte www.skil.com ou pergunte ao seu revendedor)

AMBIENTE

- **Não deite ferramentas eléctricas, pilhas, acessórios e embalagem no lixo doméstico** (apenas para países da UE)
 - de acordo com a directiva europeia 2012/19/CE sobre ferramentas eléctricas e electrónicas usadas e a transposição para as leis nacionais, as ferramentas eléctricas usadas devem ser recolhidas em separado e encaminhadas a uma instalação de reciclagem dos materiais ecológica
 - símbolo ⑥ lhe avisará em caso de necessidade de arranjar-las
 - ! **proteja os terminais da bateria com fita isoladora antes de a expor de modo a evitar curto-circuitos**

RUÍDO / VIBRAÇÃO

- O nível de pressão sonora desta ferramenta, medido de acordo com a EN 62841, é de 94,5 dB(A) e o nível de potência acústica é de 105,5 dB(A) (incerteza K = 3 dB), e a vibração 14,5 m/s² (soma do vector triax; incerteza K = 1,5 m/s²)
- O nível de emissão de vibrações foi medido de acordo com um teste normalizado fornecido na EN 62841; pode ser utilizado para comparar uma ferramenta com outra e como uma avaliação preliminar de exposição à vibração quando utilizar a ferramenta para as aplicações mencionadas
 - utilizar a ferramenta para diferentes aplicações ou com acessórios diferentes ou mantidos deficientemente, pode **aumentar** significativamente o nível de exposição
 - o número de vezes que a ferramenta é desligada ou quando estiver a trabalhar sem fazer nada, pode **reduzir** significativamente o nível de exposição
 - ! **proteja-se contra os efeitos da vibração, mantendo a ferramenta e os acessórios, mantendo as mãos quentes e organizando os padrões de trabalho**

Avvitatore ad impulsi a batteria 3210

INTRODUZIONE

- Questo utensile serve per avvitare e svitare viti e dadi
- Questo utensile non è inteso per un uso professionale
- Leggete e conservate questo manuale di istruzione ③

DATI TECNICI ①

Mass. momento di coppia avvitamento di giunti rigidi conforme alla norma ISO 5393 : 140Nm

ELEMENTI UTENSILE ②

- A Interruttore di accensione/spegnimento e regolazione della velocità
- B Commutatore per l'inversione del senso di rotazione
- C Bussola di bloccaggio
- D Indicatore del senso di rotazione selezionata
- E Feritoie di ventilazione
- F Spia LED
- G Gancio da cintura
- H Indicatore del livello batteria

SICUREZZA

AVVERTENZE GENERALI DI PERICOLO PER ELETTROUTENSILI

AVVERTENZA Leggere tutte le avvertenze di sicurezza, istruzioni, illustrazioni e specifiche fornite con l'utensile. La mancata osservanza di tutte le istruzioni sottoelencate potrebbe causare delle scariche elettriche, principi d'incendio e/o gravi lesioni.

Conservare tutte le avvertenze di pericolo e le istruzioni operative per ogni esigenza futura.

Il termine "elettroutensile" utilizzato nelle avvertenze di pericolo si riferisce ad elettroutensili alimentati dalla rete (con linea di allacciamento) ed ad elettroutensili alimentati a batteria (senza linea di allacciamento).

1) SICUREZZA DELLA POSTAZIONE DI LAVORO

- a) **Mantenere pulito ed ordinato il posto di lavoro.** Il disordine o le zone di lavoro non illuminate possono essere fonte di incidenti.
- b) **Evitare d'impiegare l'elettroutensile in ambienti soggetti al rischio di esplosioni nei quali si trovino liquidi, gas o polveri infiammabili.** Gli elettroutensili producono scintille che possono far infiammare la polvere o i gas.
- c) **Mantenere lontani i bambini ed altre persone durante l'impiego dell'elettroutensile.** Eventuali distrazioni potranno comportare la perdita del controllo sull'elettroutensile.

2) SICUREZZA ELETTRICA

- a) **La spina per la presa di corrente dovrà essere adatta alla presa. Evitare assolutamente di apportare modifiche alla spina. Non impiegare**

spine adattatrici assieme ad elettroutensili con collegamento a terra. Le spine non modificate e le prese adatte allo scopo riducono il rischio di scosse elettriche.

- b) **Evitare il contatto fisico con superfici collegate a terra, come tubi, riscaldamenti, cucine elettriche e frigoriferi.** Sussiste un maggior rischio di scosse elettriche nel momento in cui il corpo è messo a massa.
 - c) **Custodire l'elettroutensile al riparo dalla pioggia o dall'umidità.** L'eventuale infiltrazione di acqua in un elettroutensile va ad aumentare il rischio d'insorgenza di scosse elettriche.
 - d) **Non usare il cavo per scopi diversi da quelli previsti al fine di trasportare o appendere l'elettroutensile, oppure di togliere la spina dalla presa di corrente. Mantenere l'elettroutensile al riparo da fonti di calore, dall'olio, dagli spigoli o da pezzi in movimento.** I cavi danneggiati o aggrovigliati aumentano il rischio d'insorgenza di scosse elettriche.
 - e) **Qualora si voglia usare l'elettroutensile all'aperto, impiegare solo ed esclusivamente cavi di prolunga omologati per l'impiego all'esterno.** L'uso di un cavo di prolunga omologato per l'impiego all'esterno riduce il rischio d'insorgenza di scosse elettriche.
 - f) **Qualora non fosse possibile evitare di utilizzare l'elettroutensile in ambiente umido, utilizzare un interruttore di messa a terra.** L'uso di un interruttore di messa a terra riduce il rischio di una scossa elettrica.
- ### 3) SICUREZZA DELLE PERSONE
- a) **È importante concentrarsi su ciò che si sta facendo e a maneggiare con giudizio l'elettroutensile durante le operazioni di lavoro. Non utilizzare l'elettroutensile in caso di stanchezza o sotto l'effetto di droghe, bevande alcoliche e medicinali.** Un attimo di distrazione durante l'uso dell'elettroutensile potrà causare lesioni gravi.
 - b) **Indossare sempre equipaggiamento protettivo individuale. Usare sempre protezioni per gli occhi.** Se si avrà cura d'indossare equipaggiamento protettivo individuale come la maschera antipolvere, la calzatura antidistrucchiolevole di sicurezza, il casco protettivo o la protezione dell'udito, a seconda dell'impiego previsto per l'elettroutensile, si potrà ridurre il rischio di ferite.
 - c) **Evitare l'accensione involontaria dell'elettroutensile. Prima di collegarlo alla rete di alimentazione elettrica e/o alla batteria ricaricabile, prima di prenderlo oppure prima di iniziare a trasportarlo, assicurarsi che l'elettroutensile sia spento.** Tenendo il dito sopra l'interruttore mentre si trasporta l'elettroutensile oppure collegandolo all'alimentazione di corrente con l'interruttore inserito, si vengono a creare situazioni pericolose in cui possono verificarsi seri incidenti.
 - d) **Togliere gli attrezzi di regolazione o la chiave inglese prima di accendere l'elettroutensile.** Un elettroutensile o una chiave inglese che si trovino in una parte dell'elettroutensile in rotazione potranno causare lesioni.
 - e) **È importante non sopravvalutarsi. Avere cura di mettersi in posizione sicura e di mantenere l'equilibrio.** In tale maniera sarà possibile controllare meglio l'elettroutensile in situazioni inaspettate.
 - f) **Indossare vestiti adeguati. Evitare di indossare**

vestiti lenti o gioielli. Tenere capelli e vestiti lontani da parti in movimento. Vestiti lenti, gioielli o capelli lunghi potranno impigliarsi in pezzi in movimento.

- g) **Se sussiste la possibilità di montare dispositivi di aspirazione o di captazione della polvere, assicurarsi che gli stessi siano stati installati correttamente e vengano utilizzati senza errori.** L'utilizzo di un'aspirazione polvere può ridurre lo svilupparsi di situazioni pericolose dovute alla polvere.
- h) **Una volta presa confidenza con gli utensili, evitare di trascurare le norme di sicurezza.** Una mancanza di attenzione può causare gravi lesioni in una frazione di secondo.
- 4) MANEGGIO ED IMPIEGO ACCURATO DI ELETTROUTENSILI**
- a) **Non sovraccaricare l'elettrooutensile. Impiegare l'elettrooutensile adatto per sbrigare il lavoro.** Utilizzando l'elettrooutensile adatto si potrà lavorare meglio e con maggior sicurezza nell'ambito della gamma di potenza indicata.
- b) **Non utilizzare elettrooutensili con interruttori difettosi.** Un elettrooutensile che non si può più accendere o spegnere è pericoloso e dovrà essere riparato.
- c) **Prima di procedere ad operazioni di regolazione sull'elettrooutensile, prima di sostituire parti accessorie oppure prima di posare l'elettrooutensile al termine di un lavoro, estrarre sempre la spina dalla presa della corrente e/o estrarre la batteria ricaricabile, se rimovibile.** Tale precauzione eviterà che l'elettrooutensile possa essere messo in funzione inavvertitamente.
- d) **Custodire gli elettrooutensili non utilizzati al di fuori della portata dei bambini. Non fare usare l'elettrooutensile a persone che non sono abituate ad usarlo o che non abbiano letto le presenti istruzioni.** Gli elettrooutensili sono pericolosi se utilizzati da persone inesperte.
- e) **Eseguire la manutenzione degli elettrooutensili e degli accessori. Verificare che le parti mobili dell'elettrooutensile funzionino perfettamente e non s'inceppino, che non ci siano pezzi rotti o danneggiati al punto tale da limitare la funzione dell'elettrooutensile stesso. Far riparare le parti danneggiate prima d'impiegare l'elettrooutensile.** Numerosi incidenti vengono causati da elettrooutensili la cui manutenzione è stata effettuata poco accuratamente.
- f) **Mantenere affilati e puliti gli elettrooutensili da taglio.** Gli elettrooutensili da taglio curati con particolare attenzione e con taglienti affilati s'inceppano meno frequentemente e sono più facili da condurre.
- g) **Utilizzare elettrooutensili, accessori, attrezzi, ecc. in conformità con le presenti istruzioni. Osservare le condizioni di lavoro ed il lavoro da eseguirsi durante l'impiego.** L'impiego di elettrooutensili per usi diversi da quelli consentiti potrà dar luogo a situazioni di pericolo.
- h) **Mantenere impugnature e superfici di presa asciutte, pulite e prive di olio e grasso.** Impugnature e superfici di presa scivolose non consentono di manipolare e controllare l'utensile in caso di situazioni inaspettate.

5) MANEGGIO ED IMPIEGO ACCURATO DI ACCUMULATORI

- a) **Caricare l'accumulatore solo ed esclusivamente nei dispositivi di carica consigliati dal produttore.** Per un dispositivo di carica previsto per un determinato tipo di accumulatore, sussiste pericolo di incendio, se utilizzato con un accumulatore di tipo diverso.
- b) **Utilizzare negli elettrooutensili solo ed esclusivamente gli accumulatori previsti allo scopo.** L'uso di accumulatori di tipo diverso potrà dare insorgenza a lesioni e comportare il rischio d'incendi.
- c) **Tenere l'accumulatore non utilizzato lontano da graffette, monete, chiavi, chiodi, viti o da altri oggetti in metallo di piccole dimensioni che potrebbero causare un ponte tra i contatti.** Un eventuale corto circuito tra i contatti dell'accumulatore potrà dare origine a bruciature o ad incendi.
- d) **In caso di impiego sbagliato, potranno insorgere fuoriuscite di liquido dall'accumulatore. Evitarne il contatto. In caso di contatto casuale, sciacquare con acqua. Qualora il liquido dovesse entrare in contatto con gli occhi, chiedere immediato consiglio al medico.** Il liquido fuoriuscito dall'accumulatore potrà causare irritazioni cutanee o bruciature.
- e) **Non utilizzare una batteria ricaricabile, né un elettrooutensile, qualora siano danneggiati o siano stati modificati.** Batterie danneggiate o modificate possono comportare problemi non prevedibili, causando incendi, esplosioni e possibili lesioni.
- f) **Non esporre una batteria ricaricabile o un elettrooutensile al fuoco o a temperature eccessive.** L'esposizione al fuoco o a temperature superiori a 130°C può causare esplosioni.
- g) **Rispettare tutte le istruzioni di carica e non caricare la batteria ricaricabile o l'elettrooutensile fuori dal campo di temperatura indicato nelle istruzioni stesse.** Una carica non corretta, o fuori dal campo di temperatura indicato, può comportare danni alla batteria ed aumentare il pericolo di incendio.
- 6) ASSISTENZA**
- a) **Fare riparare l'elettrooutensile solo ed esclusivamente da personale specializzato e solo impiegando pezzi di ricambio originali.** In tale maniera potrà essere salvaguardata la sicurezza dell'elettrooutensile.
- b) **Non sottoporre in alcun caso a manutenzione batterie ricaricabili danneggiate.** La manutenzione di batterie ricaricabili andrà effettuata esclusivamente dal produttore o da fornitori di servizi appositamente autorizzati.

ISTRUZIONI DI SICUREZZA PER AVVITATORI AD IMPULSI A BATTERIA

- **Tenere l'elettrooutensile per le superfici isolate dell'impugnatura qualora venissero effettuati lavori durante i quali l'avvitatore potrebbe venire a contatto con cavi elettrici nascosti (il contatto tra un avvitatore e un cavo sotto tensione può mettere sotto tensione anche parti metalliche dell'elettrooutensile, causando una scossa elettrica)**

NOTE GENERALI

- Le polveri di materiali come vernici contenenti piombo, alcune specie di legno, minerali e metallo possono essere nocive (il contatto con queste polveri o la loro inalazione possono causare reazioni allergiche e/o disturbi respiratori all'operatore o ad altre persone presenti sul posto); **indossare una maschera protettiva per la polvere e utilizzare un dispositivo per l'estrazione della polvere se è presente una presa di collegamento**
- Alcuni tipi di polvere sono classificati come cancerogeni (quali le polveri di quercia e faggio) specialmente se associate ad additivi per il trattamento del legno; **indossare una maschera protettiva per la polvere e utilizzare un dispositivo per l'estrazione della polvere se è presente una presa di collegamento**
- Rispettare le istruzioni nazionali riguardanti l'estrazione della polvere per i materiali in lavorazione
- Non lavorare mai materiali contenenti amianto** (l'amianto è ritenuto materiale cancerogeno)
- Assicurarsi che il commutatore B ② sia in posizione centrale (blocco) prima di regolare l'utensile o sostituire accessori, come pure durante il trasporto o quando si ripone l'utensile

ACCESSORI

- La SKIL garantisce un perfetto funzionamento dell'utensile soltanto se vengono utilizzati accessori originali
- Utilizzate solo accessori il cui numero massimo di giri corrisponda almeno al massimo dei numeri di giri dell'utensile

PRIMA DELL'USO

- Evitate possibili danneggiamenti da viti e chiodi sporgenti; rimuoverli prima di iniziare la lavorazione
- Fissare il pezzo da lavorare** (un pezzo in lavorazione rimane bloccato in posizione con maggiore sicurezza se fissato con appositi dispositivi di serraggio o con una morsa e non tenendolo con la mano)
- Al fine di rilevare possibili linee di alimentazione nascoste, utilizzare adeguate apparecchiature di ricerca oppure rivolgersi alla locale società erogatrice** (un contatto con linee elettriche può provocare lo sviluppo di incendi e di scosse elettriche; danneggiando linee del gas si può creare il pericolo di esplosioni; penetrando una tubazione dell'acqua si provocano seri danni materiali oppure vi è il pericolo di provocare una scossa elettrica)

BATTERIE

- La batteria fornita è parzialmente caricata** (per garantire la piena capacità della batteria, caricarla completamente con il caricabatteria prima del primo uso dell'elettro utensile)
- Usare solamente le batterie fornite con questo utensile**
 - Batteria SKIL: BR1*31****
 - Caricabatteria SKIL: CR1*31****
- Non usate la batteria quando è danneggiata; deve essere sostituita immediatamente
- Non smontare la batteria
- Non esporre utensile/batteria alla pioggia
- Temperatura ambientale consentita (utensile/caricabatteria/batteria):
 - in fase di ricarica 4...40°C
 - in fase d'esercizio -20...+50°C
 - in fase di stoccaggio -20...+50°C

SPIEGAZIONE DEI SIMBOLI PRESENTI SULL'UTENSILE/ BATTERIA

- Leggere il manuale di istruzioni prima dell'uso
- Le batterie esplodono se gettate nel fuoco, pertanto non bruciare le batterie per alcun motivo
- Riponete utensile/caricabatteria/batteria in luoghi ove non si superino i 50°C
- Non gettare l'elettro utensile e le batterie con i rifiuti domestici

USO

- Interruttore combinato di acceso/spento e controllo della velocità A ②
 - il controllo della velocità da zero giri al massimo è dato dalla pressione più o meno forte sull'interruttore A¹⁴
- Ricarica batteria
 - ! leggere le avvertenze di sicurezza e le istruzioni fornite con il caricabatteria**
- Rimozione/installazione della batteria ②
- Applicazione del gancio da cintura ⑦
 - applicare il gancio da cintura G al trapano con la vite fornita.
- Indicatore del livello batteria ⑧
 - premere il pulsante dell'indicatore del livello batteria H per visualizzare il livello attuale.
- Inversione del senso di rotazione ⑨
 - quando la posizione sinistra/destra non è inserita propriamente l'interruttore A ② non può essere attivato
 - ! invertire il senso di rotazione solo quando l'utensile si è arrestato completamente**
- Cambio delle punte ⑩
 - per togliere una punta, tirare la bussola di bloccaggio C in avanti ②
 - tirare la bussola di bloccaggio C in avanti, inserire la punta fino al fermo del supporto per punte e rilasciare la bussola di bloccaggio C per bloccare la punta. ⑩a ⑩b ⑩c
 - ! usare solo punte con chiusura a sfera, altre punte possono essere usate con un supporto per punte universale con chiusura a sfera ⑩b**
 - ! non utilizzare punte con il gambo danneggiato**
- Protezione per la batteria
 - Spegne l'utensile o evita che l'utensile venga acceso, quando
 - il carico è troppo alto
 - la temperatura della batteria non rientra nel campo dei valori di impiego massimi di -20 e +50°C
 - la batteria agli ioni di litio è quasi scarica (per proteggere contro la scarica profonda)
 - ! non continuare a premere l'interruttore on/off dopo che l'utensile si è spento automaticamente: ciò potrebbe danneggiare la batteria**
- Spia LED F ⑪
 - La spia LED F si accende automaticamente quando si attiva l'interruttore A ①
- Tenuta e guida dell'utensile ⑫
 - ! durante la lavorazione, impugnare l'utensile sempre in corrispondenza della(e) area(e) grigia(e)**
 - tenere scoperte le feritoie di ventilazione E ②
 - non applicate una pressione eccessiva all'utensile; lasciate che sia l'utensile a lavorare per voi

CONSIGLIO PRATICO

- Usare le punte appropriate ⑤
- Quando avvitate una vite in vicinanza dei bordi dell'asse, è preferibile fare un foro precedentemente per evitare le spaccature di legno
- Per un uso ottimale dell'utensile si raccomanda di esercitare una pressione costante sulla vite, soprattutto svitando
- Quando avvitate una vite su legno duro, è preferibile forare un foro precedentemente
- Per ulteriori informazioni consultare il sito www.skil.com

MANUTENZIONE / ASSISTENZA

- Questo utensile non è inteso per un uso professionale
- Tenere sempre pulito l'utensile (soprattutto le feritoie di ventilazione E ②)
! rimuovere la batteria dall'utensile prima della pulizia
- Se nonostante gli accurati procedimenti di produzione e di controllo l'utensile dovesse guastarsi, la riparazione va fatta effettuare da un punto di assistenza autorizzato per gli elettroutensili SKIL
 - inviare l'utensile **non smontato** assieme alle prove di acquisto al rivenditore oppure al più vicino centro assistenza SKIL (l'indirizzo ed il disegno delle parti di ricambio dell'utensile sono riportati su www.skil.com)
- Tenere presente che danni causati da sovraccarico o utilizzo improprio sono esclusi dalla garanzia (per la condizioni di garanzia SKIL, visitare il sito www.skil.com o contattare il proprio rivenditore)

TUTELA DELL'AMBIENTE

- **Non gettare l'elettroutensile, le batterie, gli accessori e l'imballaggio con i rifiuti domestici** (solo per Paesi UE)
 - secondo la Direttiva Europea 2012/19/CE sui rifiuti di utensili elettrici ed elettronici e la sua attuazione in conformità alle norme nazionali, gli elettroutensili esausti devono essere raccolti separatamente, al fine di essere reimpiagati in modo eco-compatibile
 - il simbolo ⑥ vi ricorderà questo fatto in fase di smaltimento**! prima dello smaltimento proteggere i terminali delle batterie con nastro pesante per prevenire cortocircuiti**

RUMOROSITÀ / VIBRAZIONE

- Misurato secondo EN 62841, il livello di pressione sonora garantito di questo utensile è di 94,5 dB(A), il livello di rumorosità è di 105,5 dB(A) (incertezza K = 3 dB) e il livello delle vibrazioni di 14,5 m/s² (somma vettoriale di tre direzioni; incertezza K = 1.5 m/s²)
- Il livello di emissione delle vibrazioni è stato misurato in conformità a un test standardizzato stabilito dalla norma EN 62841; questo valore può essere utilizzato per mettere a confronto un l'utensile con un altro o come valutazione preliminare di esposizione alla vibrazione quando si impiega l'utensile per le applicazioni menzionate
 - se si utilizza l'utensile per applicazioni diverse, oppure con accessori differenti o in scarse condizioni, il livello di esposizione potrebbe **aumentare** notevolmente

- i momenti in cui l'utensile è spento oppure è in funzione ma non viene effettivamente utilizzato per il lavoro, possono contribuire a **ridurre** il livello di esposizione
- ! proteggere dagli effetti della vibrazione effettuando la manutenzione dell'utensile e dei relativi accessori, mantenendo le mani calde e organizzando i metodi di lavoro**

H

Akkus ütvecsavarozó

3210

BEVEZETÉS

- Ezt a szerszámot csavarok és anyák becsavarásához és meglazításához tervezték
- A szerszám nem professzionális használatra készült
- Olvassa el figyelmesen és őrizze meg a használati utasítást ③

MŰSZAKI ADATOK ①

Maximális forgatónyomaték kemény csavarozásnál az ISO 5393 szerint : 140Nm

SZERSZÁMGÉP ELEMEI ②

- A Be/Ki kapcsoló és sebességszabályozó
- B A forgásirány változtatására szolgáló kapcsoló
- C Reteszelő hüvelyt
- D A kiválasztott forgásirány jelzése
- E Szellőzőnyílások
- F LED-fény
- G Övkapocs
- H Akkumulátor töltöttségi-szint jelző

BIZTONSÁG

ÁLTALÁNOS BIZTONSÁGI ELŐÍRÁSOK AZ ELEKTROMOS KÉZISZERSZÁMOKHOZ

⚠ FIGYELMEZTETÉS Olvassa el a szerszámgéphez tartozó biztonsági figyelmeztetéseket, utasításokat, ábrákat és specifikációkat. Az alábbi utasítások figyelmen kívül hagyása elektromos áramütéshez, tűzhöz és/vagy súlyos balesethez vezethet.

Őrizze meg a jövőbeli használatra is valamennyi biztonsági előírást és utasítást.

Az alább alkalmazott "elektromos kéziszerszám" fogalom a hálózati elektromos kéziszerszámokat (hálózati csatlakozó kábel) és az akkumulátoros elektromos kéziszerszámokat (hálózati csatlakozó kábel nélkül) foglalja magában.

1) MUNKAHELYI BIZTONSÁG

- Tartsa tisztán és tartsa rendben a munkahelyét.** Rendetlen munkahelyek vagy megvilágítatlan munkaterületek balesetekhez vezethetnek.
- Ne dolgozzon az elektromos kéziszerszámmal olyan robbanásveszélyes környezetben, ahol éghető folyadékok, gázok vagy porok vannak.** Az elektromos kéziszerszámok szikrákat bocsáthatnak ki, amelyek meggyújthatják a port vagy a gőzöket.
- Tartsa távol a gyerekeket és az idegen személyeket**

- a munkahelytől, ha az elektromos kéziszerszámot használja. Ha elvonják a figyelmét a munkától, könnyen elvesztheti az uralmát a berendezés felett.
- 2) **ELEKTROMOS BIZTONSÁGI ELŐÍRÁSOK**
- a) **A készülék csatlakozó dugójának bele kell illeszkednie a dugaszolóaljzatba. A csatlakozó dugót semmilyen módon nem szabad megváltoztatni. Védőföldeléssel ellátott készülékekkel kapcsolatban ne használjon csatlakozó adaptert.** A változtatás nélküli csatlakozó dugók és a megfelelő dugaszoló aljzatok csökkentik az áramütés kockázatát.
- b) **Ne érjen hozzá földelt felületekhez, mint csövekhez, fűtőtestekhez, kályhákhoz és hűtőszekrényekhez.** Az áramütési veszély megnövekszik, ha a teste le van földelve.
- c) **Tartsa távol az elektromos kéziszerszámot az esőtől és a nedvesség hatásaitól.** Ha víz hatol be egy elektromos kéziszerszámba, ez megnöveli az áramütés veszélyét.
- d) **Ne használja a kábelt a rendeltetésétől eltérő célokra, vagyis a szerszámot soha ne hordozza vagy akassza fel a kábelnél fogva, és soha ne húzza ki a hálózati csatlakozó dugót a kábelnél fogva. Tartsa távol a kábelt hőforrásoktól, olajtól, éles élektől, sarkaktól és mozgó gépkalkuszektól.** Egy megrongálódott vagy csomókkal teli kábel megnöveli az áramütés veszélyét.
- e) **Ha egy elektromos kéziszerszámmal a szabad ég alatt dolgozik, csak a szabadban való használatra engedélyezett hosszabbítót használjon.** A szabadban való használatra engedélyezett hosszabbító használata csökkenti az áramütés veszélyét.
- f) **Ha nem lehet elkerülni az elektromos kéziszerszám nedves környezetben való használatát, alkalmazzon egy földzárlat megszakítót.** Egy földzárlat megszakító alkalmazása csökkenti az áramütés kockázatát.
- 3) **SZEMÉLYI BIZTONSÁGI ELŐÍRÁSOK**
- a) **Munka közben mindig figyeljen, ügyeljen arra, amit csinál, és meggondoltan dolgozzon az elektromos kéziszerszámmal.** Ha fáradt, ha kábítószerek vagy alkohol hatása alatt áll, vagy orvszágokat vett be, ne használja a berendezést. A berendezéssel végzett munka közben már egy pillanatnyi figyelmetlenség is komoly sérülésekhez vezethet.
- b) **Viseljen személyi védőfelszerelést és mindig viseljen védőszemüveget.** A személyi védőfelszerelések, mint porvédő álarc, csúszásbiztos védőcipő, védősapka és fülvédő használata az elektromos kéziszerszám használata jellegének megfelelően csökkenti a személyes sérülések kockázatát.
- c) **Kerülje el a készülék akaratlan üzembe helyezését.** Győződjön meg arról, hogy az elektromos kéziszerszám ki van kapcsolva, mielőtt bedugná a csatlakozó dugót a dugaszolóaljzatba, csatlakoztatná az akkumulátor-csomagot, és mielőtt felvenné és vinni kezdené az elektromos kéziszerszámot. Ha az elektromos kéziszerszám felmérése közben az újját a kapcsolón tartja, vagy ha a készüléket bekapcsolt állapotban csatlakoztatja az áramforráshoz, ez balesetekhez vezethet.
- d) **Az elektromos kéziszerszám bekapcsolása előtt okvetlenül távolítsa el a beállító szerszámokat vagy csavarkulcsokat.** Az elektromos kéziszerszám forgó részeiben felejtett beállító szerszám vagy csavarkulcs sérüléseket okozhat.
- e) **Ne becsülje túl önmagát. Kerülje el a normálistól eltérő testtartást, ügyeljen arra, hogy mindig biztosan álljon és az egyensúlyát megtartsa.** Így az elektromos kéziszerszám felett váratlan helyzetekben is jobban tud uralkodni.
- f) **Viseljen megfelelő ruhát. Ne viseljen bő ruhát vagy ékszereket. Tartsa távol a haját és a ruháját a mozgó részekről.** A bő ruhát, az ékszereket és a hosszú haját a mozgó alkatrészek magukkal ránthatják.
- g) **Ha az elektromos kéziszerszámra fel lehet szerelni a por elszívásához és összegyűjtéséhez szükséges berendezéseket, ellenőrizze, hogy azok megfelelő módon hozzá vannak kapcsolva a készülékhez és rendeltetésüknek megfelelően működnek.** A porgyűjtő berendezések használata csökkenti a munka során keletkező por veszélyes hatását.
- h) **Ne hagyja, hogy az elektromos kéziszerszám gyakori használata során szerzett tapasztalatok olyan önelégültté tegyék, hogy figyelmen kívül hagyja az idevonatkozó biztonsági alapelveket.** Egy gondatlan művelet egy másodperc törtrésze alatt súlyos sérüléseket okozhat.
- 4) **AZ ELEKTROMOS KÉZISZERSZÁMOK GONDOS KEZELÉSE ÉS HASZNÁLATA**
- a) **Ne terhelje túl az elektromos kéziszerszámot. A munkájához csak az arra szolgáló elektromos kéziszerszámot használja.** Egy alkalmas elektromos kéziszerszámmal a megadott teljesítménytartományon belül jobban és biztonságosabban lehet dolgozni.
- b) **Ne használjon olyan elektromos kéziszerszámot, amelynek a kapcsolója elromlott.** Egy olyan elektromos kéziszerszám, amelyet nem lehet sem be-, sem kikapcsolni, veszélyes és meg kell javíttatni.
- c) **Húzza ki a csatlakozó dugót a dugaszolóaljzatból és/vagy távolítsa el az akkumulátor-csomagot (ha az leválasztható) az elektromos kéziszerszámtól, mielőtt az elektromos kéziszerszámon beállítási munkákat végez, tartozékokat cserél vagy a szerszámot tárolásra elteszi.** Ez az elővigyázatossági intézkedés megátalja a szerszám akaratlan üzembe helyezését.
- d) **A használaton kívüli elektromos kéziszerszámokat olyan helyen tárolja, ahol azokhoz gyerekek ne férhessenek hozzá. Ne hagyja, hogy olyan személyek használják az elektromos kéziszerszámot, akik nem ismerik a szerszámot, vagy nem olvasták el ezt az útmutatót.** Az elektromos kéziszerszámok veszélyesek, ha azokat gyakorlatlan személyek használják.
- e) **Az elektromos kéziszerszámot és tartozékait gondosan tartsa karban.** Ellenőrizze, hogy a mozgó alkatrészek kifogástalanul működnek-e, nincsenek-e beszorulva, és nincsenek-e eltörve vagy megrongálódva olyan alkatrészek, amelyek hatással lehetnek az elektromos kéziszerszám működésére. A megrongálódott részeket a készülék használata előtt javíttassa meg. Sok olyan baleset történik, amelyet az elektromos kéziszerszám nem kielégítő karbantartására lehet visszavezetni.
- f) **Tartsa tisztán és éles állapotban a vágószerszámokat.** Az éles vágóélekkel rendelkező és

gondosan ápolat vágószerszámok ritkábban ékelődnek be és azokat könnyebben lehet vezetni és irányítani.

- g) **Az elektromos kéziszerszámokat, tartozékokat, betétszerszámokat stb. csak ezen előírásoknak használja. Vegye figyelembe a munkafeltételeket és a kivitelezendő munka sajátosságait.** Az elektromos kéziszerszám eredeti rendeltetésétől eltérő célokra való alkalmazása veszélyes helyzetekhez vezethet.
- h) **Tartsa szárazon, tisztán és olaj- és zsírimmentes állapotban a fogantyúkat és markoló felületeket.** A csúszós fogantyúk és markoló felületek váratlan helyzetekben lehetetlenné teszik az elektromos kéziszerszám biztonságos kezelését és irányítását.
- 5) **AZ AKKUMULÁTOROS KÉZISZERSZÁMOK GONDOS KEZELÉSE ÉS HASZNÁLATA**
- a) **Az akkumulátorok csak a gyártó által ajánlott töltőkészülékekben töltsse fel.** Ha egy bizonyos akkumulátortípus feltöltésére szolgáló töltőkészülékben egy másik akkumulátort próbál feltölteni, tűz keletkezhet.
- b) **Az elektromos kéziszerszámban csak az ahhoz tartozó akkumulátort használja.** Más akkumulátorok használata személyi sérüléseket és tüzet okozhat.
- c) **Tartsa távol a használaton kívüli akkumulátorok irodái kapcsolótól, pénzérméktől, kulcsoktól, szögektől, csavaroktól és más kisméretű fémtárgyaktól, amelyek áthidalhatják az érintkezőket.** Az akkumulátor érintkezői közötti rövidzárlat égési sérüléseket vagy tüzet okozhat.
- d) **Hibás alkalmazás esetén az akkumulátorból folyadék léphet ki. Kerülje el az érintkezést a folyadékkal. Ha véletlenül mégis érintkezésbe jutott az akkumulátorfolyadékkal, azonnal öblítse le vízzel az érintett felületet. Ha a folyadék a szemébe jutott, keressen fel ezen kívül egy orvost.** A kilépő akkumulátorfolyadék irritációkat vagy égéses bőrsérüléseket okozhat.
- e) **Sohase használjon egy akkumulátor csomagot, ha az megrongálódott, vagy ha változtatásokat hajtottak végre rajta.** A megrongálódott vagy megváltoztatott akkumulátorok előreláthatatlan módon viselkedhetnek, amely tűzhöz, robbanáshoz vagy sérülésveszélyhez vezet.
- f) **Ne tegye ki az akkumulátor csomagokat tűz, vagy extrém hőmérsékletek hatásának.** Ha az akkumulátort tűznek, vagy 130°C-ot meghaladó hőmérsékletnek teszi ki, ez robbanást okozhat.
- g) **Tartsa be valamennyi töltési előírást és ne töltsse fel az akkumulátort, ha annak a hőmérséklete az utasításokban megadott hőmérséklet tartományon kívül van.** Az akkumulátor nem megfelelő módon, vagy a megdott hőmérséklet tartományon kívüli feltöltése megrongálhatja az akkumulátort és megnövelheti a tűzveszélyt.
- 6) **SZERIVZ**
- a) **Az elektromos kéziszerszámot csak szakképzett személyzet és csak eredeti pótalkatrészek felhasználásával javíthatja.** Ez biztosítja, hogy az elektromos kéziszerszám biztonságos szerszám maradjon.
- b) **Sohase szervizeljen megrongálódott akkumulátor csomagokat.** Az akkumulátor csomagokat csak a gyártónak, vagy az erre feljogosított szolgáltatóknak szabad szervizelniük.

BIZTONSÁGI ELŐÍRÁSOK AKKUS ÜTVECSAVARÓZOKHOZ

- **Az elektromos kéziszerszámot csak a szigetelt fogantyúfelületeknél fogva tartsa, ha olyan munkát végez, amelynek során a csavar feszültség alatt álló, kívülről nem látható vezetékhez érhet** (ha a csavarok feszültség alatt álló vezetékhez érnek az elektromos kéziszerszám fémrészei szintén feszültség alá kerülhetnek és áramütéshez vezethetnek)

ÁLTALÁNOS TUDNIVALÓK

- Az anyagból származó por, mint például az ólomot, néhány fafajtát, ásványi anyagokat és fémeket tartalmazó festékek, káros lehet (a por érintése vagy belégzése allergiás reakciókat és/vagy légzőszervi betegségeket okozhat a kezelő, illetve a közelben állók esetében); **viseljen pormaszkot és amennyiben csatlakoztatható, dolgozzon poreszívó berendezéssel**
- Bizonyos porfajták rákkeltő besorolással rendelkeznek (ilyen például a tölgy- és a bükkfa pora), különösen a fa kondicionálására szolgáló adalékokkal együtt; **viseljen pormaszkot és amennyiben csatlakoztatható, dolgozzon poreszívó berendezéssel**
- Kövesse a por kezelésével kapcsolatos helyi előírásokat azon termékekkel kapcsolatban, amellyel dolgozni kíván
- **Ne munkáljon meg a berendezéssel azbeszttel tartalmazó anyagokat** (az azbeszttel rákkeltő hatása van)
- Győződjön meg róla, hogy a B ② irányváltó-kapcsoló a középső (rögzített) állásban van, mielőtt beállításokat végez vagy tartozékokat cserél, illetve amikor a gépet szállítja vagy tárolja

TARTOZÉKOK

- SKIL cég kizárólag eredeti alkatrészek és kiegészítők alkalmazása esetén tudja garantálni a gép problémamentes működését
- Csak olyan tartozékokat használjon, amelyek legmagasabb megengedett fordulatszáma legalább akkora, mint a berendezés legmagasabb üresjáratú fordulatszáma

HASZNÁLAT ELŐTT

- Ügyeljen arra, hogy a munkadarabban lévő csavar, szög vagy hasonló sérüléseket ne okozhasson; a munka megkezdése előtt eltávolítandó
- **Rögzítse a munkadarabot** (befogókészülékkel vagy satuval befogott munkadarabot sokkal biztonságosabban lehet rögzíteni mint a kézzel tartottat)
- **A rejtett vezetékek felkutatásához használjon alkalmas fémkereső készüléket, vagy kérje ki a helyi energiaellátó vállalat tanácsát** (ha egy elektromos vezetékkel a berendezéssel megérint, ez tűzhöz és áramütéshez vezethet; egy gázvezeték megrongálása robbanást eredményezhet; egy vízvezetékbe való behatolás anyagi károkhoz és áramütéshez vezethet)

AKKUMULÁTOR

- **A biztosított akkumulátor részlegesen töltött** (az akkumulátor teljes kapacitásának biztosításához teljes töltöttségi állapotig töltsse azt a kéziszerszám első használatát megelőzően)
- **Csak a következő akkumulátorokkal és töltőkkel használja a szerszámot**
 - SKIL akkumulátor: BR1*31****
 - SKIL töltő: CR1*31****
- A hibás akkumulátor haladéktalanul cserélje ki
- Ne szerelje szét az akkumulátort

- A gépet/akkumulátort óvja az esőtől
- Megengedett környezeti hőmérséklet (szerszám/töltő készülék/akkumulátor):
 - a töltés során 4...40°C
 - az üzemeltetés során -20...+50°C
 - a tárolás során -20...+50°C

A KÉSZÜLÉKEN/AKKUMULÁTORON TALÁLHATÓ SZIMBÓLUMOK MAGYARÁZATA

- 3 Használat előtt olvassa el a használati utasítást
- 4 Ha az akkumulátorok tűzbe kerülnek, akkor felrobbanhatnak, ezért semmilyen okból ne égesse el az akkumulátorokat
- 5 A gépet/töltőkészüléket/akkumulátort ne tárolja 50°C feletti helyiségben
- 6 Ne dobja az elektromos kéziszerszámokat és elemek a háztartási szemétkébe

KEZELÉS

- Kombinált kapcsoló a ki/be kapcsolásra valamint a sebességszabályozásra A ②
 - kapcsolóra A ④ gyakorolt nyomás megváltoztatásával a sebesség fokozatmentesen nulláról max. fordulatszámig szabályozható
- Az akkumulátor töltése
 - ! olvassa el a töltővel kapott biztonsági figyelmeztetéseket és utasításokat
- Akkumulátorok eltávolítása/telepítése ②
- Övcsipesz felcsatolása ⑦
 - csatolja az övcsipeszt G a fúróhoz a biztosított csavar segítségével.
- Akkumulátor töltöttségi-szint jelző ⑧
 - nyomja meg az akkumulátor töltöttségi szintjét jelző gombot H az aktuális akkumulátorszint kijelzéséhez.
- Forgásirány változtatás ⑨
 - amennyiben az A ② be/ki kapcsoló nem kattann tökéletesen a helyére ne kapcsolja be gépét
 - ! a forgásirány kizárólag a gép teljes leállása után változtatható
- A szerszámhegyek cseréje ⑩
 - a fúrófej eltávolításához húzza meg a rögzítőkart C forward ②
 - húzza a rögzítőkart előre C, illeszse be a fúrófejet a zárba és engedje fel a rögzítőkart C a fúrófej rögzítéséhez. ⑩a ⑩b ⑩c
 - ! csak golyósretesz fúrófejeket használjon, más fúrófejeket univerzális golyósretesz fejfogóval lehet használni ⑩b
 - ! soha ne használjon sérült befogóvégű szerszámhegyet
- Az akkumulátor védelme
 - Kikapcsolja a szerszámot vagy ha megakadályozza a szerszám bekapcsolását, amikor
 - túl nagy a terhelés
 - az akkumulátor hőmérséklete túllépte a -20 és +50°C közötti megengedett üzemi értéket
 - a lítium-ion akkumulátor szinte teljesen lemerült (mélykisülés elleni védelem)
 - ! ha a készülék automatikusan kikapcsolt, ne próbálja nyomogatni a be-/kikapcsoló gombot, mert az akkumulátor megsérülhet

- LED-fény F ⑪
 - A LED-fény F a kapcsoló aktiválásakor automatikusan kigyullad A ①
- A gép vezetése és tartása ⑫
 - ! munka közben mindvégig tartsa gépet a szürke színű markolati terület(ek)en
 - a szellőzőnyílásokat E ② mindig tartsa szabadon
 - ne gyakoroljon túl nagy nyomást a gépre; hagyja, hogy a gép dolgozzon ön helyett

HASZNÁLAT

- Mindig a megfelelő szerszámhegyet használja ⑬
- Csavarok faanyag végébe vagy szálirányába történő behajtása előtt készítsen előfuratot
- Az eszköz optimális használatához a csavarra állandó nyomást kell gyakorolni, különösen ha kicsavarjuk
- Ha keményfába csavarozunk, szükséges előfuratot készíteni
- A további információért lásd a www.skil.com oldalt

KARBANTARTÁS / SZERVIZ

- A szerszám nem professzionális használatra készült
- Mindig tartsa tisztán a gépet (különös tekintettel a szellőzőnyílásokra E ②)
 - ! távolítsa el az akkumulátort a tisztítás előtt
- Ha a gép a gondos gyártási és ellenőrzési eljárás ellenére egyszer mégis meghibásodna, akkor a javítással csak SKIL elektromos kéziszerszám-műhely ügyfélszolgálatát szabad megbízni
 - küldje az összeszerelt gépet a vásárlást bizonyító számlával együtt a kereskedő vagy a legközelebbi SKIL szervizállomás címére (a címlista és a gép szervizdiagramja a www.skil.com címen található)
- Vegye figyelembe, hogy a garancia nem fedi le a túlerhelés és a gép helytelen használata miatt okozott károkat (a SKIL garanciális feltételeit elolvashatja a www.skil.com oldalon, vagy kérdezze meg kereskedőjét)

KÖRNYEZET

- Az elektromos kéziszerszámokat, elemek, tartozékokat és csomagolást ne dobja a háztartási szemétkébe (csak EU-országok számára)
 - a használt villamos és elektronikai készülékekről szóló 2012/19/EK irányelv és annak a nemzeti jogba való átültetése szerint az elhasznált elektromos kéziszerszámokat külön kell gyűjteni, és környezetbarát módon újra kell hasznosítani
 - erre emlékeztet a ⑥ jelzés, amennyiben felmerül az intézkedésre való igény
- ! az akkumulátor hatástalanítása előtt az akkumulátor végelt erős szalaggal biztosítsuk, hogy a kúszóáramokat kiküszöbölhessük

ZAJ / REZGÉS

- Az EN 62841-es szabványnak megfelelően végzett mérés szerint a szerszám hangnyomása 94,5 dB(A), hangerőszintje 105,5 dB(A) (bizonytalanság K = 3 dB), a vibráció pedig 14,5 m/s² (háromtengelyű vektor összege; bizonytalanság K = 1,5 m/s²)

- A rezgés-kibocsátási szint mérése az EN 62841 szabványban meghatározott szabványosított teszttel összhangban történt; ez egy eszköznék egy másik eszközzel történő összehasonlítására, illetve a rezgésnek való kitettség előzetes felmérésére használható fel az eszköznék az említett alkalmazásokra történő felhasználása során
 - az eszköznék eltérő alkalmazásokra, vagy eltérő, illetve rosszul karbantartott tartozékokkal történő felhasználása jelentősen **emelheti** a kitettség szintjét
 - az idő, amikor az eszköz ki van kapcsolva, vagy amikor ugyan működik, de ténylegesen nem végez munkát, jelentősen **csökkentheti** a kitettség szintjét
- ! **az eszköz és tartozékai karbantartásával, kezének melegen tartásával, és munkavégzésének megszerzésével védje meg magát a rezgések hatásaitól**

CZ

Akumulátorový rázový šroubovák 3210

ÚVOD

- Tento nástroj je určen pro utahování a uvolňování šroubů
- Tento nástroj není určen k profesionálnímu použití
- Tento návod s pokyny si pečlivě přečtete a uschovejte ③

TECHNICKÁ DATA ①

Max. krouticí moment tvrdý šroubový spoj podle ISO 5393 : 140Nm

SOUČÁSTI NÁSTROJE ②

- A Vypínač zapnout/vypnout a regulace rychlosti
- B Spínač na změnu směru otáček
- C Zajišťovací objímka
- D Indikátor zvoleného směru otáčení
- E Větrací šterbiny
- F LED-kontrolka
- G Přezka na opasek
- H Indikátor akumulátoru

BEZPEČNOST

OBECNÉ BEZPEČNOSTNÍ POKYNY PRO ELEKTRONÁŘADÍ

VAROVÁNÍ Přečtete si **veškerá bezpečnostní upozornění, pokyny, obrázky a technické údaje, které jsou s tímto elektrickým nástrojem dodávány.** Nedodržení všech níže uvedených pokynů může vést k úrazu elektrickým proudem, požáru a/nebo vážnému zranění.

Všechny pokyny a výstrahy uchovejte pro budoucí potřebu.

Ve varovných upozorněních použitý pojem "elektronářadí" se vztahuje na elektronářadí provozované na el. síti (se síťovým kabelem) a na elektronářadí provozované na akumulátoru (bez síťového kabelu).

1) BEZPEČNOST PRACOVNÍHO MÍSTA

- a) **Udržujte Vaše pracovní místo čisté a uklizené.** Nepořádek nebo neosvětlené pracovní oblasti mohou vést k úrazům.
- b) **Se strojem nepracujte v prostředích ohrožených explozí, kde se nacházejí hořlavé kapaliny, plyny nebo prach.** Elektronářadí vytváří jiskry, které mohou prach nebo páry zapálit.
- c) **Děti a jiné osoby udržujte při použití elektronářadí daleko od Vašeho pracovního místa.** Při rozptýlení můžete ztratit kontrolu nad strojem.

2) ELEKTRICKÁ BEZPEČNOST

- a) **Připojovací zástrčka stroje musí lícovat se zásuvkou. Zástrčka nesmí být žádným způsobem upravena. Společně se stroj s ochranným uzemněním nepoužívejte žádné adaptérové zástrčky.** Neupravené zástrčky a vhodné zásuvky snižují riziko elektrického úderu.
 - b) **Zabraňte kontaktu těla s uzemněnými povrchy, jako např. potrubí, topení, sporáky a chladničky.** Je-li Vaše tělo uzemněno, existuje zvýšené riziko elektrického úderu.
 - c) **Chraňte stroj před deštěm a vlhkem.** Vniknutí vody do elektrického stroje zvyšuje nebezpečí elektrického úderu.
 - d) **Dbejte na účel kabelu, nepoužívejte jej k nošení či zavěšení stroje nebo vytažení zástrčky ze zásuvky. Udržujte kabel daleko od tepla, oleje, ostrých hran nebo pohyblivých dílů stroje.** Poškozené nebo spletené kabely zvyšují riziko elektrického úderu.
 - e) **Pokud pracujete s elektronářadím venku, použijte pouze takové prodlužovací kabely, které jsou schváleny i pro venkovní použití.** Použití prodlužovacího kabelu, jež je vhodný pro použití venku, snižuje riziko elektrického úderu.
 - f) **Pokud se nelze vyhnout provozu elektronářadí ve vlhkém prostředí, použijte ochranný jistič.** Nasazení ochranného jističe snižuje riziko úderu elektrickým proudem.
- ### 3) BEZPEČNOST OSOB
- a) **Buďte pozorní, dávejte pozor na to, co děláte a přistupujte k práci s elektronářadím rozumně. Stroj nepoužívejte pokud jste unaveni nebo pod vlivem drog, alkoholu nebo léků.** Moment nepozornosti při použití elektronářadí může vést k vážným poraněním.
 - b) **Noste osobní ochranné pomůcky a vždy ochranné brýle.** Nošení osobních ochranných pomůcek jako maska proti prachu, bezpečnostní obuv s protiskluzovou podrážkou, ochranná přilba nebo sluchátka, podle druhu nasazení elektronářadí, snižují riziko poranění.
 - c) **Zabraňte neúmyslnému uvedení do provozu. Přesvědčte se, že je elektronářadí vypnuté dříve než jej uchopíte, poneseťe či připojíte na zdroj proudu a/ nebo akumulátor.** Máte-li při nošení elektronářadí prst na spínači nebo pokud stroj připojíte ke zdroji proudu zapnutý, pak to může vést k úrazům.
 - d) **Než stroj zapnete, odstraňte seřizovací nástroje nebo šroubovák.** Nástroj nebo klíč, který se nachází v otáčivém dílu stroje, může vést k poranění.
 - e) **Nepřeceňujte se. Zjistěte si bezpečný postoj a vždy udržujte rovnováhu.** Tím můžete stroj v neočekávaných situacích lépe kontrolovat.
 - f) **Noste vhodný oděv. Nenoste žádný volný oděv nebo šperky. Vlasy a oděv udržujte daleko od**

pohybujících se dílů. Volný oděv, šperky nebo dlouhé vlasy mohou být zachyceny pohybujícími se díly.

- g) **Lze-li namontovat odsávací či zachycující přípravky, přesvědčte se, že jsou připojeny a správně použity.** Použití odsávání prachu může snížit ohrožení prachem.
- h) **Dbejte na to, abyste při častém používání nářadí nebyli méně ostražití a nezapomínali na bezpečnostní zásady.** Nedbalé ovládání může způsobit těžké poranění za zlomek sekundy.
- 4) **SVĚDOMITĚ ZACHÁZENÍ A POUŽÍVÁNÍ ELEKTRONÁŘADÍ**
- a) **Stroj nepřetěžujte. Pro svou práci použijte k tomu určený stroj.** S vhodným elektronářadím budete pracovat v dané oblasti výkonu lépe a bezpečněji.
- b) **Nepoužívejte žádné elektronářadí, jehož spínač je vadný.** Elektronářadí, které nelze zapnout či vypnout je nebezpečné a musí se opravit.
- c) **Než provedete seřízení stroje, výměnu dílů příslušenství nebo stroj odložíte, vytáhnete zástrčku ze zásuvky a/nebo odstraníte odpojitelny akumulátor.** Toto preventivní opatření zabrání neúmyslnému zapnutí stroje.
- d) **Uchovávejte nepoužívané elektronářadí mimo dosah dětí. Nenechte stroj používat osobám, které se strojem nejsou seznámeny nebo nečetly tyto pokyny.** Elektronářadí je nebezpečné, je-li používáno nezkušenými osobami.
- e) **Pečujte o elektronářadí a příslušenství svědomitě. Zkontrolujte, zda pohyblivé díly stroje bezvadně fungují a nevzpříčují se, zda díly nejsou zlomené nebo poškozené tak, že je omezena funkce stroje. Poškozené díly nechte před nasazením stroje opravit.** Mnoho úrazů má příčinu ve špatně udržovaném elektronářadí.
- f) **Rezné nástroje udržujte ostré a čisté.** Pečlivě ošetřované rezné nástroje s ostrými reznými hranami se méně vzpříčují a dají se lehčeji vést.
- g) **Používejte elektronářadí, příslušenství, nasazovací nástroje apod. podle těchto pokynů. Respektujte přítom pracovní podmínky a prováděnou činnost.** Použití elektronářadí pro jiné než určující použití může vést k nebezpečným situacím.
- h) **Udržujte rukojeti a úchytné plochy suché, čisté a bez oleje a maziva.** Kluzké rukojeti a úchytné plochy neumožňují bezpečnou manipulaci a ovládání nářadí v neočekávaných situacích.
- 5) **SVĚDOMITĚ ZACHÁZENÍ A POUŽÍVÁNÍ AKUMULÁTOROVÉHO NÁŘADÍ**
- a) **Akumulátory nabíjejte pouze v nabíječce, která je doporučena výrobcem.** Pro nabíječku, která je vhodná pro určitý druh akumulátorů, existuje nebezpečí požáru, je-li používána s jinými akumulátory.
- b) **Do elektronářadí používejte pouze k tomu určené akumulátory.** Použití jiných akumulátorů může vést k poraněním a požárům.
- c) **Nepoužívaný akumulátor uchovávejte mimo kancelářské spionky, mince, klíče, hřebíky, šrouby nebo jiné drobné kovové předměty, které mohou způsobit přemostění kontaktů.** Zkrat mezi kontakty akumulátoru může mít za následek opálení nebo požár.
- d) **Při špatném použití může z akumulátoru vytéci kapalina. Zabraňte kontaktu s ní. Při náhodném kontaktu opláchněte místo vodou. Pokud kapalina**

vnikne do očí, navštivte navíc i lékaře. Vytékající akumulátorová kapalina může způsobit podráždění pokožky nebo popálení.

- e) **Nepoužívejte akumulátor nebo nářadí, které jsou poškozené nebo upravené.** Poškozené nebo upravené akumulátory se mohou chovat nepředvídaně a způsobit požár, výbuch nebo poranění.
- f) **Nevystavujte akumulátor nebo nářadí ohni nebo nadměrné teplotě.** Vystavení ohni nebo teplotě nad 130°C může způsobit výbuch.
- g) **Dodržujte všechny pokyny pro nabíjení a nenabíjejte akumulátor nebo nářadí mimo teplotní rozsah uvedený v pokynech.** Nesprávné nabíjení nebo nabíjení při teplotách mimo uvedený rozsah může poškodit akumulátor a zvýšit riziko požáru.
- 6) **SERVIS**
- a) **Nechte Váš stroj opravit pouze s kvalifikovaným odborným personálem a pouze s originálními náhradními díly.** Tím bude zajištěno, že bezpečnost stroje zůstane zachována.
- b) **Nikdy neprovádějte servis poškozených akumulátorů.** Servis akumulátorů by měl provádět pouze výrobce nebo autorizovaná oprava.

BEZPEČNOSTNÍ POKYNY PRO AKUMULÁTOROVÝ RÁZOVÝ ŠROUBOVÁK

- **Pokud provádíte práce, při kterých může šroub zasáhnout skrytá elektrická vedení, pak držte elektronářadí na izolovaných plochách rukojeti** (kontakt s vedením pod napětím může přivést napětí i na kovové díly elektronářadí a vést k úderu elektrickým proudem)

OBECNĚ

- Prach z látek, jako jsou barvy obsahující olovo, některé druhy dřeva, minerály a kovy, může být škodlivý (kontakt s prachem nebo jeho vdechnutí může způsobit alergickou reakci a/nebo vyvolat respirační choroby u obsluhy nebo přihlížejících); **nošte protiprachovou masku a pracujte se zařízením na odsávání prachu, pokud je možné jej připojit**
- Některé druhy prachu jsou klasifikovány jako karcinogenní (například dubový a bukový prach) zejména ve spojení s přísadami pro úpravu dřeva; **nošte protiprachovou masku a pracujte se zařízením na odsávání prachu, pokud je možné jej připojit**
- Dodržujte stanovená nařízení pro práci v prašném prostředí
- **Nepracováváte žádný materiál obsahující azbest** (azbest je karcinogenní)
- Zabezpečte, aby spínač B ② byl vždy v pozici uprostřed (zablokované) než provedete seřízení stroje nebo výměnu příslušenství, při přenášení nebo odložení stroje

PŘÍSLUŠENSTVÍ

- SKIL zajistí bezvadnou funkci nářadí pouze tehdy, používáte-li původní značkové
- Používejte pouze příslušenství, jejichž dovolené otáčky jsou alespoň tak vysoké jako nejvyšší otáčky stroje naprázdno

PŘED POUŽITÍM

- Vrtáčku nepoužívejte je-li navlhla a nepracuje v blízkosti snadno zápalných nebo výbušných materiálů; před zahájením práce je odstraňte

- **Zajistěte obráběný díl** (obráběný díl uchycený pomocí upínacích zařízení nebo ve svěráku je mnohem bezpečnější než v ruce)
- **Použijte vhodné hledací přístroje k vyhledání skrytých přírodních vedení nebo přivězte místní dodavatelskou společnost** (kontakt s el. vedením může vést k požáru a elektrickému úderu; poškození plynového vedení může vést k explozi; proniknutí do vodovodního potrubí může způsobit věcné škody nebo elektrický úder)

AKUMULÁTOR

- **Dodávaný akumulátor je částečně nabitý** (v zájmu zajištění maximální kapacity akumulátoru jej před prvním použitím vašeho elektronástroje úplně dobijte v nabíječce)
- **Používejte pouze následující akumulátory a nabíječky dodávané s tímto nástrojem**
 - Akumulátor SKIL: BR1*31****
 - Nabíječka SKIL: CR1*31****
- Poškozený akumulátor nepoužívejte, nahraďte jej novým
- Akumulátor nerozebírejte
- Nevystavujte nástroj/akumulátor dešti
- Povolená teplota prostředí (nářadí/nabíječka/akumulátor):
 - při nabíjení 4...40°C
 - při provozu -20...+50°C
 - při skladování -20...+50°C

VYSVĚTLENÍ SYMBOLŮ NA NÁSTROJI/BATERII

- ③ Před použitím si přečtete návod k použití
- ④ Baterie při vhození do ohně explodují, proto je nikdy nevhazujte do otevřeného plamene
- ⑤ Nářadí/nabíječka/akumulátor ukládejte na vhodné, suché a zajištěné místo, v prostorách s teplotou maximálně 50°C
- ⑥ Nevyhazujte elektrické nářadí a baterie do komunálního odpadu

OBSLUHA

- Kombinovaný vypínač "zapnuto/vypnuto" a kontrola rychlosti A ②
 - při větším či menším tlaku na spínač A ②, lze měnit plynule otáčky
- Nabíjení akumulátorů
 - ! **přečtete si bezpečnostní upozornění a pokyny, které byly dodány spolu s nabíječkou**
- Vyjmutí/instalace akumulátoru ②
- Připevnění přezky na opasek ⑦
 - Připevněte přezku na opasek G k vrtáče pomocí dodaného šroubu.
- Indikátor akumulátoru ⑧
 - stiskněte tlačítko indikátoru akumulátoru H, aby ukazovalo aktuální úroveň nabití.
- Změna směru otáček ⑨
 - jestliže poloha doleva/doprava správně nezapadne, není možno zapnout vypínač A ②
 - ! **směr otáček se smí změnit pouze je-li nástroj zcela zastaven**
- Výměna hrotů ⑩
 - pro vyjmutí hrotu vytáhněte zajišťovací objímku C dopředu ②
 - zajišťovací objímku C zatáhněte dopředu, vložte hrot až k zarážce v držáku hrotu a uvolněte zajišťovací objímku C, aby hrot zajistila. ⑩a ⑩b ⑩c
 - ! **používejte jen vrtáky s kulovým uzávěrem, ostatní vrtáky lze použít v kombinaci univerzálního držáku vrtáků a kulového uzávěru ⑩b**

! nepoužívejte hroty s poškozeným dřikem

- Ochrana baterie
 - Vypne nářadí nebo zabraňuje zapnutí nářadí, když
 - je zatěž příliš vysoká
 - teplota baterie není v rozsahu přípustných provozních teplot -20 až +50°C
 - lithium-iontová baterie je téměř vybitá (ochrana před přílišným vybitím)
 - ! **po automatickém vypnutí nástroje netiskněte vypínač; mohlo by dojít k poškození akumulátoru**
- LED-kontrolka F ①
 - LED-kontrolka F se automaticky rozsvítí při aktivaci spínače A ①
- Držení a vedení nástroje ⑫
 - ! **při práci vždy držte nástroj v šedě zabarvené oblasti rukojeti**
 - udržujte větrací štěrbiny E ② nezakryté
 - na přístroj příliš netlačte; nechte jej, aby pracoval za vás

NÁVOD K POUŽITÍ

- Používejte správné vrtáky ⑮
- Při zašroubování šroubu na konci nebo na začátku nějakého dřeva by měla být předvrtána díra, aby se zamezilo rozštípnutí dřeva
- Pro optimální využití přístroje je nutno zvolit odpovídající tlak na šroub, zvláště při vyšroubování
- Při šroubování do tvrdého dřeva, je nutno díru předvrtat
- Další informace najdete na www.skil.com

ÚDRŽBA / SERVIS

- Tento nástroj není určen k profesionálnímu použití
- Nástroj udržujte vždy čistý (zejména větrací štěrbiny E ②)
 - ! **před montáží vyjměte akumulátor z nástroje**
- Pokud dojde i přes pečlivou výrobu a náročnou kontroly k poruše nástroje, světe provedení opravy autorizovanému servisnímu středisku pro elektronářadí firmy SKIL
 - zašlete nástroj **nerozebraný** spolu s potvrzením o nákupu své prodejce nebo nejbližšímu servisu značky SKIL (adresy a servisní schéma nástroje najdete na www.skil.com)
- Uvědomte si, že na poškození způsobené přetížením nebo nesprávným zacházením se nevztahuje záruka (záruční podmínky společnosti SKIL najdete na adrese www.skil.com nebo se obraťte na prodejce)

ŽIVOTNÍ PROSTŘEDÍ

- **Elektrické nářadí, baterie, doplňky a balení nevyhazujte do komunálního odpadu** (jen pro státy EU)
 - podle evropské směrnice 2012/19/EG o nakládání s použitými elektrickými a elektronickými zařízeními a odpovídajících ustanovení právních předpisů jednotlivých zemí se použitá elektrická nářadí, musí sbírat odděleně od ostatního odpadu a podrobit ekologicky šetrnému recyklování
 - symbol ⑥ na to upozorňuje
 - ! **u vyřazených akumulátorů zakryjte kontakty izolační páskou, zabráníte tím plazivým proudům**

HLUČNOSTI / VIBRACÍ

- Při měření v souladu s normou EN 62841 je hladina akustického tlaku tohoto nástroje 94,5 dB(A), hladina hlučnosti 105,5 dB(A) (nepřesnost K = 3 dB) a vibrace 14,5 m/s² (kolkové hodnoty vibrací; nepřesnost K = 1,5 m/s²)
 - Úroveň vibrací byla měřena v souladu se standardizovaným testem podle EN 62841; je možné ji použít ke srovnání jednoho přístroje s druhým a jako předběžné posouzení vystavování se vibracím při používání přístroje k uvedeným aplikacím
 - používání přístroje k jiným aplikacím nebo s jiným či špatně udržovaným příslušenstvím může zásadně **zvýšit** úroveň vystavení se vibracím
 - doba, kdy je přístroj vypnutý nebo kdy běží, ale ve skutečnosti není využíván, může zásadně **snížit** úroveň vystavení se vibracím
- ! chraňte se před následky vibrací tak, že budete dbát na údržbu přístroje a příslušenství, budete si udržovat teplé ruce a uspořádáte si své pracovní postupy**

TR

Akülü darbeli vidalama makinesi 3210

GİRİŞ

- Bu alet vidaları ve civataları vidalamak ve açmak için tasarlanmıştır
- Bu alet profesyonel kullanıma yönelik değildir
- Bu kullanma kılavuzunu okuyun ve saklayın ③

TEKNİK VERİLER ①

ISO 5393'e göre sert vidalamada maksimum tork : 140Nm

ALET BİLEŞENLERİ ②

- A Açma/kapama ve hız kontrol anahtarı
- B Dönüş yönü değiştirme düğmesi
- C Kilitleme manşonu
- D Seçilen dönüş yönü göstergesi
- E Havalandırma yuvaları
- F LED-ışığı
- G Kemer klipsi
- H Batarya şarj süre göstergesi

GÜVENLİK

GENEL ELEKTRİKLİ EL ALETİ GÜVENLİK UYARILARI

⚠ UYARI Bu elektrikli alet ile birlikte verilen tüm uyarıları, talimatları, resimleri ve özellikleri okuyun. Aşağıda listelenen talimatların tamamına uyulmaması durumunda elektrik çarpması, yangın ve/veya ciddi yaralanmalar meydana gelebilir.

Tüm uyarı ve talimatları ileride kullanmak üzere saklayın.

Uyarı ve talimat hükümlerinde kullanılan "elektrikli el aleti" kavramı, akım şebekesine bağlı (şebeke bağlantı kablosu ile) aletlerle akü ile çalışan aletleri (akım şebekesine bağlantısı olmayan aletler) kapsamaktadır.

1) ÇALIŞMA YERİ GÜVENLİĞİ

- a) **Çalıştığınız yeri temiz ve düzenli tutun.** Düzensizlik veya yetersiz aydınlatma kazalara neden olabilir.
- b) **Yanıcı sıvıların, gazların veya tozların bulunduğu patlama tehlikesi olan yer ve mekânlarda aletle çalışmayın.** Elektrikli el aletleri, toz veya buharların tutuşmasına veya yanmasına neden olan kıvılcıklar çıkarırlar.
- c) **Elektrikli el aletiyle çalışırken çocukları ve başkalarını çalışma alanınızın uzağında tutun.** Yakınızdaki bulunan kişiler dikkatinizi dağıtabilir ve bu da alet üzerindeki kontrolünüzü kaybetmenize neden olabilir.

2) ELEKTRİKSEL GÜVENLİK

- a) **Aletin bağlantı fişi prize uymalıdır. Fişi hiçbir şekilde değiştirmeyin. Koruyucu topraklamalı aletlerle adaptörlü fiş kullanmayın.** Değiştirilmemiş, orijinal fiş ve uygun prizler elektrik çarpmaya tehlikesini azaltır.
 - b) **Borular, kalorifer tesisatı, ısıtıcılar ve buzdolapları gibi topraklanmış yüzeylerle bedensel temasa geçmekten kaçının.** Eğer bedeniniz topraklanacak olursa yüksek bir elektrik çarpmaya tehlikesi ortaya çıkar.
 - c) **Aleti yağmur ve nemden koruyun.** Elektrikli el aletinin içine suyun sızması elektrik çarpmaya tehlikesini yükseltir.
 - d) **Kabloyu kendi amacı dışında kullanmayın; örneğin aleti kablodan tutarak taşımayın, aleti kablo ile asmayın veya kablodan çekerek fişi prizden çıkarmayın.** Kabloyu aşırı sıcaktan, yağlardan, keskin kenarlı cisimlerden veya aletin hareketli parçalarından uzak tutun. Hasarlı veya dolaşmış kablo elektrik çarpmaya tehlikesini yükseltir.
 - e) **Elektrikli el aletiyle açık havada çalışırken mutlaka açık havada kullanılmaya uygun uzatma kablosu kullanın.** Açık havada kullanılmaya uygun uzatma kablosunun kullanılması elektrik çarpmaya tehlikesini azaltır.
 - f) **Elektrikli el aletinin nemli ortamlarda çalıştırılması şartsa, mutlaka kaçak akım cihazı (RCD) kullanın.** RCD kullanımı elektrik çarpmaya tehlikesini azaltır.
- #### 3) KİŞİLERİN GÜVENLİĞİ
- a) **Dikkatli olun, ne yaptığınıza dikkat edin ve elektrikli el aletiyle çalışırken makul hareket edin. Yorgunsanız, ilaç kullanıyorsanız veya uyuşturucu madde ya da alkol etkisi altındaysanız aleti kullanmayın.** Aleti kullanırken bir anlık dikkatsizliğiniz ciddi yaralanmalara yol açabilir.
 - b) **Daima kişisel korunma donanımları ve bir koruyucu gözlük kullanın.** Elektrikli el aletinin türü ve kullanımına uygun olarak kullanacağınız toz maskesi, kaymayan sağlam iş ayakkabıları, koruyucu kask veya koruyucu kulaklık gibi kişisel korunma donanımlarını kullanmanız yaralanma tehlikesini büyük ölçüde azaltır.
 - c) **Aleti yanlışlıkla çalıştırmaktan kaçının. Akım ikmal şebekesine ve/veya aküye bağlamadan, elinizi alıp taşımadan önce elektrikli el aletinin kapalı durumda olduğundan emin olun.** Elektrikli el aletini parmağınız şalter üzerinde dururken taşırsanız ve alet açıkken fişi prize sokarsanız kazalara neden olabilirsiniz.
 - d) **Aleti çalıştırmadan önce ayar aletlerini veya tornavidaları aletten uzaklaştırın.** Dönen alet parçasına temas halinde bulunan bir uç veya anahtar yaralanmalara neden olabilir.
 - e) **Kendinize çok fazla güvenmeyin. Duruşunuz güvenli olmasına dikkat edin ve daima dengeyi koruyun.** Bu sayede aleti beklenmedik durumlarda daha iyi kontrol edersiniz.

- f) **Uygun iş elbiseleri giyin. Geniş giysiler giymeyin ve takı takmayın. Saçlarınızı ve giysilerinizi aletin hareketli parçalarından uzak tutun.** Bol giysiler, takılar veya uzun saçlar aletin hareketli parçaları tarafından tutulabilir.
- g) **Aletinize toz emme donanımı ve toz tutma donanımı takılabiliyorsa, bunların bağlı olup olmadığını ve doğru işlev görüp görmediklerini kontrol edin.** Toz emme donanımının kullanımı tozdan kaynaklanabilecek tehlikeleri azaltır.
- h) **Aletleri sık kullanmanız sebebiyle kazandığınız alışkanlıklar, güvenlik prensiplerine uymazı önlememelidir.** Dikkatsiz bir hareket, bir anda ciddi yaralanmalara yol açabilir.

4) ELEKTRİKLİ EL ALETLERİYLE DİKKATLİ ÇALIŞMAK VE ALETİ DOĞRU KULLANMAK

- a) **Aleti aşırı ölçüde zorlamayın. İşinize uygun elektrikli el aletini kullanın.** Uygun elektrikli el aleti ile belirtilen performans alanında daha iyi ve daha güvenli çalışırsınız.
- b) **Açma/kapama şalteri arızalı olan elektrikli el aletini kullanmayın.** Açılıp kapanmayan bir elektrikli el aleti tehlikelidir ve onarılması gerekir.
- c) **Alette bir ayarlama işlemine başlamadan, herhangi bir aksesuarı değiştirirken veya aleti elinizden bırakırken fişi prizden çekin veya aküyü çıkarın.** Bu önlem, elektrikli el aletinin yanlışlıkla çalışmasını önler.
- d) **Kullanım dışında iken elektrikli el aletinizi çocukların ulaşamayacağı bir yerde saklayın. Aleti kullanmayı bilmeyen veya bu güvenlik talimatını okumayan kişilerin aleti kullanmasına izin vermeyin.** Deneyimsiz kişiler tarafından kullanıldıkları takdirde elektrikli el aletleri tehlikeli olabilirler.
- e) **Elektrikli el aletinin ve aksesuarların bakımını özenle yapın.** Aletin hareketli parçalarının kusursuz işlev görüp görmediklerini ve sıkışmadıklarını, parçaların kırık veya hasarlı olup olmadıklarını kontrol edin, aksi takdirde alet işlevini tam olarak yerine getiremez. **Aleti kullanmadan önce hasarlı parçaları onartın.** Birçok iş kazası aletlerin kötü ve yetersiz bakımından kaynaklanır.
- f) **Kesici uçları keskin ve temiz tutun.** İyi bakım görmüş kesici uçlar daha ender sıkışırlar ve daha iyi yönlendirilirler.
- g) **Elektrikli el aletlerini, aksesuarı, uçları ve benzerlerini bu güvenlik talimatına uygun olarak kullanın. Aleti kullanırken çalışma koşullarını ve yaptığınız işi daima dikkate alın.** Elektrikli el aletlerini kendileri için öngörülen işlerin dışında kullanmak tehlikeli durumların ortaya çıkmasına neden olabilir.
- h) **Tutamak ve kavrama yüzeylerini kuru, yağsız ve temiz tutun.** Kaygan tutamak ve kavrama yüzeyleri, aletin beklenmeyen durumlarda güvenli şekilde tutulmasını ve kontrol edilmesini engeller.
- 5) **AKÜLÜ ALETLERLE DİKKATLİ ÇALIŞMAK VE ALETLERİ DOĞRU KULLANMAK**
- a) **Aküleride sadece üretici tarafından tavsiye edilen şarj cihazlarında şarj edin.** Belirli bir tür akü için geliştirilmiş bir şarj cihazının değişik bir akü için kullanılması yangın tehlikesine yol açar.
- b) **Elektrikli el aletlerinde sadece o alet için öngörülen aküleri kullanın.** Başka akülerin kullanılması yaralanmalara ve yangın tehlikesinin ortaya çıkmasına neden olabilir.

- c) **Kullanım dışında bulunan aküleri, kontaklar arasında köprüleme yapma olasılığı bulunan büro ataçları, madeni paralar, anahtarlar, çiviler, vidalar veya diğer küçük metal eşya ve cisimlerden uzak tutun.** Akü kontakları arasındaki bir kısa devre yanmalara veya yangın çıkmasına neden olabilir.
- d) **Yanlış kullanım durumunda akünün dışına sıvılar sızabilir. Bu sıvılara temas etmeyin. Yanlışlıkla aküden sızan sıvılara temas ederseniz, temas yerini hemen su ile yıkayın. Eğer söz konusu sıvı gözünüzde kaçacak olursa hemen bir hekime başvurun.** Aküden dışarı sızan sıvılar cildinizde tahrişlere veya yanmalara neden olabilir.
- e) **Hasarlı veya değiştirilmiş akü veya el aleti kullanmayın.** Hasarlı veya değiştirilmiş aküler beklenmedik davranışlara yol açarak yangın, patlama ve yaralanmalara neden olabilir.
- f) **Akü veya aleti ateşe veya yüksek sıcaklıklara maruz bırakmayın.** Ateşe veya 130°C üstündeki sıcaklıklara maruz kalma patlamalara yol açabilir.
- g) **Tüm şarj talimatlarını uygulayın ve akü ya da aleti talimatlarda belirtilen sıcaklık aralığının dışında şarj etmeyin.** Hatalı şarj veya belirtilen aralık dışındaki sıcaklıklarda şarj aküye zarar vererek yangın riskini yükseltebilir.
- 6) **SERVİS**
- a) **Aleti sadece uzman bir elemana ve orijinal yedek parçalar kullanılarak onartın.** Böylelikle aletin güvenliğini korumuş olursunuz.
- b) **Hasarlı akülerde onarım işlemi yapmayın.** Akülerin onarımı sadece üretici veya yetkili servisler tarafından yapılmalıdır.

AKÜLÜ DARBELİ VİDALAMA MAKİNESİ İÇİN GÜVENLİK TALİMATLARI

- **Kilidin gizli kablo tesisatına temas edebileceği bir işlem yaparken elektrikli aleti izolasyonlu tutamaklardan tutun** ("akım taşıyan" bir tele temas eden kilit, aletin metal parçalarında da "akım dolaşmasına" ve operatörü elektrik çarpmasına neden olabilir)

GENEL

- Kurşun içeren boya, bazı ahşap türleri, mineral ve metal gibi malzemelerden çıkan toz zararlı olabilir (tozla temasta bulunulması veya solunması operatörde veya yakında bulunan kişilerde alerjik reaksiyonlara ve/veya solunum yolu hastalıklarına neden olabilir); **toz maskesi takın ve toz ekstraksiyon cihazıyla çalışın (bağlanabiliyorsa)**
- Bazı toz tipleri (örneğin meşe ve kayın ağacı tozu), bilhassa ahşap yenileme katkı maddeleriyle birlikte, karsinojenik olarak sınıflandırılır; **toz maskesi takın ve toz ekstraksiyon cihazı ile çalışın (bağlanabiliyorsa)**
- Çalışmak istediğiniz malzemelerin, toz ile ilgili ulusal taleplerini takip edin
- **Bu aletle asbest içeren malzemeleri işlemeyin** (asbest kanserojen bir madde kabul edilir)
- Herhangi bir aksesuar değişikliği ya da ayarlama yapmadan veya cihaz hareket halindeyken ve/veya boşta bekler vaziyette iken, B ② düğmesinin orta pozisyonunda (kilit pozisyonu) olduğuna emin olun

AKSESUARLAR

- SKIL sadece orijinal aksesuarlar kullanıldığında aletin

düzgün çalışmasını garanti eder

- Bu aletle kullanacağınız aksesuar edilen devir sayısı en azından aletin boştaki en yüksek devir sayısı kadar olmalıdır

KULLANMADAN ÖNCE

- İş parçasının vida, çivi ve benzeri malzeme tarafından hasar görmemesi için dikkatli olun; çalışmaya başlamadan önce bunları çıkartın
- **Çalıştığınız parçayı sabitleyin** (kıskaçlarla ya da menegenyle sabitlenmiş bir iş parçası elle tutulan işten daha güvenilirdir)
- **Görünmeyen elektrik kablolarını belirlemek için uygun bir tarama cihazı kullanın veya yerel akım ikmal şirketlerinden yardım isteyin** (elektrik kablolarıyla temas, yangın çıkmasına veya elektrik çarpmalarına neden olabilir; bir gaz borusu hasar görürse patlama tehlikesi ortaya çıkar; bir su borusunun delinmesi halinde maddi hasarlar meydana gelebilir veya elektrik çarpması tehlikesi ortaya çıkabilir)

BATARYALAR

- **Temin edilen batarya bir miktar şarj edilmiştir** (bataryanın tam kapasiteyle çalışmasını sağlamak için, elektrikli aletinizi ilk kez kullanmadan önce bataryayı batarya şarj cihazında tamamen şarj edin)
- **Bu aletle sadece aşağıdaki bataryaları ve şarj cihazlarını kullanın**
 - SKIL bataryası: BR1*31****
 - SKIL şarj cihazı: CR1*31****
- Hasarlı bataryaları kullanmayın, hemen yenileyin
- Bataryayı sökmeyin
- Aleti/bataryayı yağmur altında bırakmayın
- İzin verilen ortam sıcaklığı (aleti/şarj cihazını/bataryayı):
 - şarjda 4...40°C
 - işletmede -20...+50°C
 - depolamada -20...+50°C

ALET/BATARYA ÜZERİNDE BULUNAN İŞARETLERİN AÇIKLAMASI

- ③ Kullanmadan önce kılavuzu okuyun
- ④ Piller ateşe maruz kaldığında patlar, bu yüzden herhangi bir nedenle pili yakmayın
- ⑤ Aleti, şarj cihazını ve bataryayı daima 0°- 50° arasındaki oda sıcaklığında saklayın
- ⑥ Elektrikli aletlerini ve pilleri evdeki çöp kutusuna atmayın

KULLANIM

- Açma/kapama ve hız kontrolü işlevini gören birleşik şalteri A ②
 - şaltere az veya çok basmak suretiyle hız sıfırdan maksimuma kadar kademesiz olarak ayarlanabilir A⑭
- Bataryanın şarjı
 - ! **şarj cihazı ile birlikte verilen güvenlik uyarıları ve talimatlarını okuyun**
- Bataryanın çıkarılması/takılması ②
- Kemer klipsinin takılması ⑦
 - kemer klipsini G verilen vida ile matkaba takın.
- Batarya şarj süre göstergesi ⑧
 - mevcut batarya seviyesini göstermek için batarya seviyesi gösterge düğmesine H basın.
- Dönüş yönünü değiştirme ④
 - sol/sağ pozisyonları doğru olarak kilitleme yapmadığı takdirde, açma/kapama şalteri A ② çalışmaz

! dönüş yönünü sadece alet tamamen dururken değiştirin

- Uçları değiştirme ⑩
 - bir ucu çıkarmak için kilitleme manşonunu C ileri çekin ②
 - kilitleme manşonunu C ileri çekin, ucu, uç tutucu içindeki tespit parçasına takın ve ucu kilitlemek için kilitleme manşonunu C serbest bırakın. ⑩a ⑩b ⑩c
- **! sadece biyeli mandalı olan uçları kullanın, diğer uçlar, biyeli mandalı olan bir üniversal uç tutucu ile kullanılabilir ⑩b**
- **! hasarlı uçları kullanmayın**
- Pili koruma
 - Şu durumlarda aleti olarak kapatır veya aletin çalıştırılmasını önler, iken
 - yük çok yüksek olduğunda
 - batarya sıcaklığı uygun çalışma sıcaklık aralığı olan -20 ila +50°C içinde değil
 - lityum-iyon pil bitmeye yakinken (aşırı boşalmaya karşı koruma sağlamak için)
- **! alet otomatik olarak kapandıktan sonra açma/kapama düğmesine basmayın; pil hasar görebilir**
- LED-ışığı F ⑪
 - Anahtar A ⑪ etkinleştirilirken LED ışık F otomatik olarak yanar
- Aletin tutulması ve kullanılması ⑫
 - **! çalışma esnasında, aleti daima gri renkli bölge(ler) den tutun**
 - havalandırma yuvalarını E ② açık tutun
 - alete çok fazla baskı uygulamayın; bırakın alet sizin için çalışsın


UYGULAMA ÖNERİLERİ

- Uygun uçları kullanın ⑮
- Bir tahtanın baş kısmına veya sonuna bir vida vidalanırken, tahtanın yarılmaması için bir ön kılavuz delik açın
- Aletin optimal kullanımı için vidanın üzerine sürekli baskı uygulanmalıdır
- Sert tahtaya vidalama yapmadan önce, bir ön kılavuz delik açılmalıdır
- Daha fazla bilgi için www.skil.com adresine bakın

BAKIM / SERVİS

- Bu alet profesyonel kullanıma yönelik değildir
- Aleti daima temiz tutun (özellikle havalandırma yuvalarını E ②)
- **! temizlemeden önce aletten bataryayı çıkarın**
 - Dikkatli biçimde yürütülen üretim ve test yöntemlerine rağmen alet arıza yapacak olursa, onarım SKIL elektrikli aletleri için yetkili bir serviste yapılmalıdır
 - aleti **ambalajıyla** birlikte satın alma belgenizi de ekleyerek satıcınıza veya en yakın SKIL servisine ulaştırın (adresler ve aletin servis şemaları www.skil.com adresinde listelenmiştir)
 - Aşırı yüklenme ve yanlış kullanımın aleti garanti kapsamından çıkaracağını unutmayın (SKIL garanti koşulları için www.skil.com adresine bakın veya satıcınıza başvurun)

ÇEVRE

- **Elektrikli aletlerini, piller, aksesuarları ve ambalajları evdeki çöp kutusuna atmayın** (sadece AB ülkeleri için)
 - kullanılmış elektrikli aletleri, elektrik ve elektronik eski cihazlar hakkındaki 2012/19/EC Avrupa yönergelerine göre ve bu yönergeler ulusal hukuk kurallarına göre uyarlanarak, ayrı olarak toplanmalı ve çevre şartlarına uygun bir şekilde tekrar değerlendirmeye gönderilmelidir
 - sembol  size bunu anımsatmalıdır
- ! **bataryayı tasfiye etmeden önce, kaçak akımları önlemek üzere batarya uçlarını ağır bir bantla sarın**

GÜRÜLTÜ / TİTREŞİM


- EN 62841 uyarınca ölçülen bu aletin ses basıncı seviyesi 94,5 dB(A) ve ses gücü seviyesi 105,5 dB(A) (tolerans K = 3 dB), titreşimi ise 14,5 m/s² (triaksi vektör toplamı; tolerans K = 1,5 m/s²)
- Titreşim emisyon seviyesi EN 62841'de sunulan standart teste göre ölçülmüştür; bu seviye, bir aleti bir başkasıyla karşılaştırmak amacıyla ve aletin söz konusu uygulamalarda kullanılması sırasında titreşime maruz kalma derecesinin ön değerlendirmesi olarak kullanılabilir
 - aletin farklı uygulamalar için veya farklı ya da bakımı yetersiz yapılmış aksesuarlarla kullanılması, maruz kalma seviyesini belirgin biçimde **artırabilir**
 - aletin kapalı olduğu veya çalıştığı ancak gerçek anlamda iş yapmadığı zamanlarda, maruz kalma seviyesi belirgin biçimde **azalabilir**
- ! **aletin ve aksesuarlarının bakımını yaparak, ellerinizi sıcak tutarak ve iş modellerinizi düzenleyerek kendinizi titreşimin etkilerinden koruyun**

PL

Akumulatorowa zakrętaraka udarowa

3210

WSTĘP

- To narzędzie jest przeznaczone do wkręcania i wykręcania wkrętów i śrub
- Narzędzie nie jest przeznaczone do zastosowań profesjonalnych
- Przeczytać i zachować niniejszą instrukcję obsługi 

DANE TECHNICZNE


Maks. moment obrotowy twardego wkręcania wg ISO 5393 : 140Nm

ELEMENTY NARZĘDZIA

- A Przycisk włącznik/wyłącznik i regulator prędkości
- B Przełącznik zmiany kierunku rotacji
- C Tuleja blokująca
- D Wskaźnik wyboru kierunku rotacji
- E Szczeliny wentylacyjne
- F Lampka LED
- G Mocowanie do paska
- H Wskaźnik poziomu naładowania akumulatora

BEZPIECZEŃSTWO

OGÓLNE OSTRZEŻENIA DOTYCZĄCE BEZPIECZEŃSTWA UŻYTKOWANIA ELEKTRONARZĘDZIA

 **OSTRZEŻENIE** Należy przeczytać wszystkie ostrzeżenia dotyczące bezpieczeństwa, instrukcje, ilustracje i dane techniczne dostarczone z tym elektronarzędziem. Nieprzestrzeganie wszystkich poniższych instrukcji może skutkować porażeniem prądem, pożarem i/lub poważnym obrażeniem ciała.

Wszystkie ostrzeżenia i wskazówki należy zachować do dalszego zastosowania.

Użyte w poniższym tekście pojęcie "elektronarzędzie" odnosi się do elektronarzędzi zasilanych energią elektryczną z sieci (z przewodem zasilającym) i do elektronarzędzi zasilanych akumulatorami (bez przewodu zasilającego).

1) BEZPIECZEŃSTWO MIEJSCA PRACY

- a) **Miejsce pracy należy utrzymywać w czystości i dobrze oświetlone.** Nieporządek lub nie oświetlone miejsce pracy mogą doprowadzić do wypadków.
- b) **Nie należy pracować tym narzędziem w otoczeniu zagrożonym wybuchem, w którym znajdują się np. łatwopalne ciecze, gazy lub pyły.** Elektronarzędzia wytwarzają iskry, które mogą podpalić ten pył lub pary.
- c) **Elektronarzędzie trzymać podczas pracy z daleka od dzieci i innych osób.** Przy nieuwadze można stracić kontrolę nad narzędziem.

2) BEZPIECZEŃSTWO ELEKTRYCZNE

- a) **Wtyczka urządzenia musi pasować do gniazda. Nie wolno modyfikować wtyczki w jakikolwiek sposób. Nie należy używać wtyczek adapterowych razem z uziemnionymi narzędziami.** Niezmienione wtyczki i pasujące gniazda zmniejszają ryzyko porażenia prądem.
- b) **Należy unikać kontaktu z uziemnionymi powierzchniami jak rury, grzejniki, piece i lodówki.** Istnieje zwiększone ryzyko porażenia prądem, gdy Państwa ciało jest uziemnione.
- c) **Urządzenie należy przechowywać zabezpieczone przed deszczem i wilgocią.** Wniknięcie wody do elektronarzędzia podwyższa ryzyko porażenia prądem.
- d) **Nigdy nie należy używać kabla do innych czynności. Nigdy nie używać kabla do noszenia urządzenia za kabel, zawieszania lub do wyciągania wtyczki z gniazda. Kabel należy trzymać z daleka od wysokich temperatur, oleju, ostrych krawędzi lub ruchomych części urządzenia.** Uszkodzone lub poplątane kable zwiększają ryzyko porażenia prądem.
- e) **W przypadku, kiedy elektronarzędziem pracuje się na świeżym powietrzu należy używać kabla przedłużającego, który dopuszczony jest do używania na zewnątrz.** Użycie dopuszczonego do używania na zewnątrz kabla przedłużającego zmniejsza ryzyko porażenia prądem.
- f) **Jeżeli nie da się uniknąć zastosowania elektronarzędzia w wilgotnym otoczeniu, należy użyć wyłącznika ochronnego różnicowo-prądowego.** Zastosowanie wyłącznika ochronnego różnicowo-prądowego zmniejsza ryzyko porażenia prądem.

3) BEZPIECZEŃSTWO OSÓB

- a) **Należy być uważnym, uważać na to co się robi i pracę elektronarzędziem rozpoczynać z rozsądkiem. Nie należy używać urządzenia gdy jest się zmęczonym lub pod wpływem narkotyków, alkoholu lub lekarstw.** Moment nieuwagi przy użyciu urządzenia może doprowadzić do poważnych urażeń ciała.
 - b) **Należy nosić osobiste wyposażenie ochronne i zawsze okulary ochronne.** Noszenie osobistego wyposażenia ochronnego jak maska przeciwpyłowa, nie ślizgające się buty robocze, hełm ochronny lub ochrona słuchu, w zależności od rodzaju i zastosowania elektronarzędzia zmniejsza ryzyko obrażeń ciała.
 - c) **Należy unikać niezamierzonego uruchomienia narzędzia. Przed włożeniem wtyczki do gniazdka i/ lub podłączeniem do akumulatora, a także przed podniesieniem lub przeniesieniem elektronarzędzia, należy upewnić się, że elektronarzędzie jest wyłączone.** Trzymanie palca na wyłączniku podczas przenoszenia elektronarzędzia lub podłączenie do prądu włączanego narzędzia, może stać się przyczyną wypadków.
 - d) **Zanim urządzenie zostanie włączone należy usunąć narzędzia nastawcze lub klucze.** Narzędzie lub klucz, które znajdujące się w ruchomych częściach urządzenia mogą doprowadzić do obrażeń ciała.
 - e) **Nie należy przeceniać swoich możliwości. Należy dbać o bezpieczną pozycję pracy i zawsze utrzymywać równowagę.** Przez to możliwa jest lepsza kontrola urządzenia w nieprzewidywanych sytuacjach.
 - f) **Należy nosić odpowiednie ubranie. Nie należy nosić luźnego ubrania lub biżuterii. Włosy i ubranie należy trzymać z daleka od ruchomych elementów.** Luźne ubranie, biżuteria lub długie włosy mogą zostać pociągnięte przez poruszające się części.
 - g) **W przypadku, kiedy możliwe jest zamontowanie urządzeń odsysających lub podchwytyjących należy upewnić się, czy są one właściwie podłączone i prawidłowo użyte.** Użycie urządzenia odsysającego pył może zmniejszyć zagrożenie pyłami.
 - h) **Nie wolno pozwolić, aby rutyna nabyta w wyniku wielokrotnego użycia elektronarzędzia, zastąpiła ściśle przestrzeganie zasad bezpieczeństwa.** Niedbale obsługiwane elektronarzędzie może w ułamku sekundy wyrządzić istotne szkody lub spowodować ciężkie obrażenia.
- ### 4) UWAŻNE OBCOWANIE ORAZ UŻYCIE ELEKTRONARZĘDZIA
- a) **Nie należy przeciążać urządzenia. Do pracy używać należy elektronarzędzia, które jest do tego przewidziane.** Odpowiednim narzędziem pracuje się lepiej i bezpieczniej w podanym zakresie sprawności.
 - b) **Nie należy używać elektronarzędzia, którego włącznik/wyłącznik jest uszkodzony.** Elektronarzędzie, którego nie można włączyć lub wyłączyć jest niebezpieczne i musi zostać naprawione.
 - c) **Przed rozpoczęciem jakichkolwiek prac nastawczych, przed wymianą osprzętu lub przed odłożeniem elektronarzędzia należy wyjąć wtyczkę z gniazda sieciowego i/lub usunąć akumulator.** Ten środek ostrożności zapobiega niezamierzonemu włączeniu się urządzenia.
 - d) **Nie używane elektronarzędzia należy przechowywać**

poza zasięgiem dzieci. Nie należy udostępniać narzędzia osobom, które jego nie umieją lub nie przeczytały tych przepisów. Używane przez niedoświadczone osoby elektronarzędzia są niebezpieczne.

- e) **Elektronarzędzia i osprzęt należy utrzymywać w nienagannym stanie technicznym. Należy kontrolować, czy ruchome części urządzenia funkcjonują bez zarzutu i nie są zablokowane, czy części nie są pęknięte lub uszkodzone, co mogłoby mieć wpływ na prawidłowe funkcjonowanie urządzenia. Uszkodzone narzędzie należy przed użyciem urządzenia oddać do naprawy.** Wiele wypadków spowodowanych jest przez niewłaściwą konserwację elektronarzędzi.
 - f) **Osprzęt tnący należy utrzymywać ostry i czysty.** Starannie pielęgnowany osprzęt tnący z ostrymi krawędziami tnącymi blokuje się rzadziej i łatwiej się używa.
 - g) **Elektronarzędzia, osprzęt, narzędzia itd. należy używać odpowiednio do tych przepisów. Uwzględnić należy przy tym warunki pracy i czynność do wykonania.** Użycie elektronarzędzi do innych niż przewidziane prace może doprowadzić do niebezpiecznych sytuacji.
 - h) **Uchwyty i powierzchnie chwytowe powinny być zawsze suche, czyste, niezabrudzone olejem ani smarem.** Śliskie uchwyty i powierzchnie chwytowe nie pozwalają na bezpieczne trzymanie narzędzia i kontrolę nad nim w nieoczekiwanych sytuacjach.
- ### 5) UWAŻNE OBCOWANIE I UŻYWANIE NARZĘDZI ZASILANYCH AKUMULATORAMI
- a) **Akumulatory należy ładować tylko w ładowarkach, które polecił producent.** W ładowarce, która nadaje się do ładowania określonych akumulatorów istnieje niebezpieczeństwo pożaru, gdy użyte zostaną inne akumulatory.
 - b) **Do elektronarzędzi należy używać jedynie przewidzianych do tego akumulatorów.** Użycie innych akumulatorów może doprowadzić do obrażeń ciała i niebezpieczeństwa pożaru.
 - c) **Nie używamy akumulator należy trzymać z daleka od spinaczy, monet, kluczy, gwoździ, śrub lub innych małych przedmiotów metalowych, które mogłyby spowodować zwarcie kontaktów.** Zwarcie pomiędzy kontaktami akumulatora może spowodować oparzenia lub pożar.
 - d) **Przy niewłaściwym użyciu możliwe jest wydostanie się cieczy z akumulatora. Należy unikać kontaktu z nią. W przypadku, że ciecz dostała się do oczu należy dodatkowo skonsultować się z lekarzem.** Ciecz akumulatorowa może doprowadzić do podrażnienia skóry lub oparzeń.
 - e) **Nie wolno użytkować uszkodzonych ani modyfikowanych akumulatorów i elektronarzędzi.** Uszkodzone w przerabiane akumulatory mogą się nieprzewidzianie zachować, powodując niebezpieczne dla zdrowia skutki (zapłon, eksplozja, obrażenia ciała).
 - f) **Akumulator należy trzymać z dala od ognia oraz chronić przed ekstremalnymi temperaturami.** Wskutek działania ognia lub temperatury przekraczającej 130°C akumulator może eksplodować.

- g) **Należy stosować się do wszystkich wskazówek dotyczących ładowania. Nie wolno ładować akumulatora lub elektronarzędzia w temperaturze znajdującej się poza zakresem sprecyzowanym w niniejszej instrukcji.** Niezgodne z instrukcją ładowanie lub ładowanie w temperaturze nie mieszczącej się w zalecanym zakresie może spowodować uszkodzenie akumulatora oraz zwiększa ryzyko pożaru.

6) SERWIS

- a) **Naprawę urządzenia należy zlecić jedynie kwalifikowanemu fachowcowi i przy użyciu oryginalnych części zamiennych.** To gwarantuje, że bezpieczeństwo użytkowania zostanie zachowane.
- b) **Nie wolno w żadnym wypadku naprawiać uszkodzonego akumulatora.** Naprawy akumulatora można dokonywać wyłącznie u producenta lub w autoryzowanym punkcie serwisowym.

INSTRUKCJE BEZPIECZEŃSTWA DLA AKUMULATOROWEJ ZAKRĘTARKI UDAROWEJ

- **Podczas wykonywania prac, przy których śruba mogłaby natrafić na ukryte przewody elektryczne, elektronarzędzie należy trzymać za izolowane powierzchnie rękojeści** (kontakt z przewodem sieci zasilającej może spowodować przekazanie napięcia na części metalowe elektronarzędzia, co mogłoby doprowadzić do porażenia prądem elektrycznym)

OGÓLNE

- Pył pochodzący z takich materiałów, jak farby zawierające ołów, niektóre gatunki drzewa, minerały i metal może być szkodliwy (kontakt z nim lub wdychanie takiego pyłu może powodować reakcje alergiczne i/lub niewydolność oddechową u operatora lub osób towarzyszących); **należy zakładać maskę przeciwpyłową i pracować z urządzeniem odsysającym, jeżeli można je podłączyć**
- Niektóre rodzaje pyłu są zaklasyfikowane jako rakotwórcze (takie, jak pył dębu i buka) szczególnie w połączeniu z dodatkami do kondycjonowania drewna; **należy zakładać maskę przeciwpyłową i pracować z urządzeniem odsysającym pył, jeżeli można je podłączyć**
- Należy stosować się do lokalnych wymogów dotyczących pracy w otoczeniu pyłu powstającego podczas obróbki materiału
- **Nie należy obrabiać materiału zawierającego azbest** (azbest jest rakotwórczy)
- Przed regulacją elektronarzędzia, wymianą osprzętu, w czasie transportu lub podczas przechowywania należy upewnić się czy przełącznik B ② znajduje się w środkowym (blokada) położeniu (zabezpieczony)

AKCESORIA

- SKIL może zagwarantować bezawaryjne działanie narzędzia tylko przy korzystaniu z oryginalnego wyposażenia dodatkowego
- Używać tylko akcesoriów, których dopuszczalna prędkość obrotowa jest co najmniej tak wysoka jak najwyższa prędkość obrotowa urządzenia na biegu bez obciążenia

PRZED UŻYCIEM

- Uwaga na gwoździe, śruby i inne twarde przedmioty; przed przystąpieniem do obróbki powinny być usunięte z obrabianego przedmiotu; usunąć je przed rozpoczęciem pracy

- **Należy zabezpieczyć miejsce przeznaczone do zszycia** (miejsce przeznaczone do zszycia umieszczone w zaciskach lub imadle jest utrzymywane w miejscu bezpieczniejszym niż w ręku)
- **Aby wykręć ukryte przewody zasilające należy używać stosownych detektorów lub porozumieć się z miejscowymi zakładami energetycznymi** (kontakt z przewodami elektrycznymi może doprowadzić do pożaru i porażenia elektrycznego; uszkodzenie przewodu gazowego może doprowadzić do wybuchu; uszkodzenie przewodów instalacji wodociągowej powoduje szkody rzeczowe i może spowodować porażenie elektryczne)

AKUMULATORY

- **Dostarczany akumulator jest częściowo naładowany** (aby zapewnić pełne naładowanie akumulatora, przed użyciem elektronarzędzia po raz pierwszy akumulator należy całkowicie naładować w ładowarce)
- **Do narzędzia należy stosować wyłącznie poniższe akumulatory i ładowarki**
 - Akumulator SKIL: BR1*31****
 - Ładowarka SKIL: CR1*31****
- Uszkodzony akumulator natychmiast wymienić i nie używać do pracy
- Nie rozbierać akumulatora
- Elektronarzędzia/akumulatora nie należy narażać na działanie opadów atmosferycznych
- Dopuszczalna temperatura otoczenia (narzędzie/ładowarka/akumulator):
 - podczas ładowania 4...40°C
 - podczas pracy -20...+50°C
 - podczas przechowywania -20...+50°C

OBJAŚNIENIE SYMBOLI NA NARZĘDZIU/ AKUMULATORZE

- ③ Przed użyciem przeczytaj instrukcję obsługi
- ④ Akumulatory w kontakcie z ogniem mogą eksplodować, więc nie wolno ich pod żadnym pozorem spalać
- ⑤ Narzędzie/ładowarka/akumulator powinny być zawsze przechowywane w pomieszczeniu o temperaturze poniżej 50°C
- ⑥ Nie wyrzucaj elektronarzędzi i baterie wraz z odpadami z gospodarstwa domowego

UŻYTKOWANIE

- Włącznik/wyłącznik ze sterowaniem prędkości obrotowej A ②
 - zmieniając stopień nacisku na przycisk włącznika/wyłącznika A ④ można bezstopniowo sterować prędkością w zakresie od zera do maksymalnej prędkości obrotowej
- Ładowanie akumulatora
 - ! **przeczytać wszystkie ostrzeżenia dotyczące bezpieczeństwa oraz instrukcje dostarczone z ładowarką**
 - Usuwanie/montaż baterii ②
 - Zakładanie mocowania do paska ⑦
 - mocowanie do paska założyć G do wiertarki za pomocą dostarczonej śruby.
 - Wskaźnik akumulatora ⑧
 - nacisnąć przycisk wskaźnika poziomu naładowania akumulatora H w celu wyświetlenia aktualnego poziomu naładowania.
 - Zmiana kierunku obrotów ⑨
 - w przypadku niewłaściwej pozycji przełącznika w lewo/prawo przycisk włącznika/wyłącznika A ② jest zablokowany

! kierunek obrotów zmieniać tylko wtedy, gdy narzędzie jest całkowicie zatrzymane

- Wymiana wiertła ⑩
 - aby wyjąć wiertło, należy pociągnąć tuleję blokującą C do przodu ②

- pociągnąć tuleję blokującą C do przodu, włożyć wiertło do końca w uchwyt wiertel, a następnie zwolnić tuleję blokującą C, aby zablokować wiertło. ⑩a ⑩b ⑩c

! używać tylko wiertel z zatrzaskiem kulkowym; inne wiertła mogą być używane z uniwersalnym uchwytem do wiertel z zatrzaskiem kulkowym ⑩b

! nie używać wiertel ze zniszczonym uchwytem

- System ochrony baterii
 - Wyłączyć narzędzie lub zabezpieczyć narzędzie przed włączeniem, gdy
 - obciążenie jest za wysokie
 - temperatura akumulatora wykracza poza dozwolony zakres temperatury roboczej od -20 do +50°C
 - bateria litowo-jonowa jest bliska stanu całkowitego rozładowania (w celu ochrony przed zbytnim rozładowaniem)

! po automatycznym wyłączeniu narzędzia nie naciskaj przycisku "on/off", ponieważ może to spowodować uszkodzenie akumulatora

- Lampka LED F ⑪
 - Lampka LED F zapala się automatycznie po naciśnięciu przełącznika A ⑪
- Utrzymanie i prowadzenie narzędzia ⑫
 - ! podczas pracy zawsze trzymać narzędzie za uchwyt(y) ograniczone szarym kolorem**
 - szczeliny wentylacyjne E ② powinny być odkryte
 - nie przyciskać narzędzia zbyt silnie; pozwól mu pracować dla ciebie

WSKAZÓWKI UŻYTKOWANIA

- Używać właściwych wiertel ⑮
- W celu uniknięcia rozwarstwiania przedmiotów drewnianych przy wkręcaniu wkrętów na brzegu należy otwor odpowiednio nawiercić
- Przy wkręcaniu, a szczególnie wykręcaniu wymagane jest wywieranie stałego nacisku na łeb wkręta
- Przy wkręcaniu wkrętów w twarde drewno wykonać otwór wstępny
- Więcej informacji można znaleźć pod adresem www.skil.com

KONSERWACJA / SERWIS

- Narzędzie nie jest przeznaczone do zastosowań profesjonalnych
- Zawsze dbać o czystość narzędzia (a szczególnie otworów wentylacyjnych E ②)
 - ! przed rozpoczęciem czyszczenia wyjąć akumulator z narzędzia**
- Jeśli narzędzie, mimo dokładnej i wszechstronnej kontroli produkcyjnej ulegnie kiedykolwiek awarii, naprawę powinien przeprowadzić autoryzowany serwis elektronarzędzi firmy SKIL
 - odesłać **nierozebrany** narzędzie, wraz z dowodem zakupu, do dealera lub do najbliższego punktu usługowego SKIL (adresy oraz diagram serwisowy narzędzia znajdują się na stronach www.skil.com)

- Prosimy pamiętać, że uszkodzenia spowodowane przeciążeniem lub niewłaściwym użytkowaniem narzędzia nie podlegają gwarancji (warunki gwarancji SKIL znajdują się na www.skil.com lub pytać swojego dealera)

ŚRODOWISKO

- **Nie wyrzucaj elektronarzędzi, baterie, akcesoriów i opakowania wraz z odpadami z gospodarstwa domowego** (dotyczy tylko państw UE)
 - zgodnie z Europejską Dyrektywą 2012/19/WE w sprawie zużytego sprzętu elektrotechnicznego i elektronicznego oraz dostosowaniem jej do prawa krajowego, zużyte elektronarzędzia należy posegregować i zutylizować w sposób przyjazny dla środowiska
 - w przypadku potrzeby pozbycia się narzędzia, akcesoriów i opakowania - symbol ⑥ przypomni Ci o tym
- ! przed oddaniem akumulatora do punktu odbioru surowców wtórnych zabezpieczyć taśmą jego styki w celu uniknięcia powstawania prądów pełzających**

HAŁASU / WIBRACJE

- Poziom ciśnienia akustycznego mierzonego zgodnie z normą EN 62841 wynosi 94,5 dB(A), a poziom mocy akustycznej wynosi 105,5 dB(A) (odchylenie K = 3 dB) 14,5 m/s² (trójosiowa suma wektorowa; odchylenie K = 1,5 m/s²)
- Poziom emisji wibracji został zmierzony zgodnie z testem standaryzowanym podanym w EN 62841; może służyć do porównania jednego narzędzia z innym i jako ocena wstępna narażenia na wibracje w trakcie używania narzędzia do wymienionych zadań
 - używanie narzędzia do innych zadań, lub z innymi albo źle utrzymanymi akcesoriami, może znacząco **zwiększyć** poziom narażenia
 - przypadki, kiedy narzędzie jest wyłączone lub jest czynne, ale aktualnie nie wykonuje zadania, mogą znacząco **zmniejszyć** poziom narażenia
- ! należy chronić się przed skutkami wibracji przez konserwację narzędzia i jego akcesoriów, zakładanie rękawic i właściwą organizację pracy**

RU

Аккумуляторный ударный шуруповерт

3210

В состав эксплуатационных документов, предусмотренных изготовителем для продукции, могут входить настоящее руководство по эксплуатации, а также приложения.

Информация о подтверждении соответствия содержится в приложении.

Срок службы изделия

Срок службы изделия составляет 7 лет. Не рекомендуется к эксплуатации по истечении 5 лет хранения с даты изготовления без предварительной проверки (дату изготовления см. на этикетке).

Перечень критических отказов и ошибочные действия персонала или пользователя

- не использовать с поврежденной рукояткой или поврежденным защитным кожухом
- не использовать при появлении дыма непосредственно из корпуса изделия
- не использовать с переломанным или оголенным электрическим кабелем
- не использовать на открытом пространстве во время дождя (в распыляемой воде)
- не включать при попадании воды в корпус
- не использовать при сильном искрении
- не использовать при появлении сильной вибрации

Критерии предельных состояний

- перетёрт или повреждён электрический кабель
- повреждён корпус изделия

Тип и периодичность технического обслуживания

Рекомендуется очистить инструмент от пыли после каждого использования.

Хранение

- необходимо хранить в сухом месте
- необходимо хранить вдали от источников повышенных температур и воздействия солнечных лучей
- при хранении необходимо избегать резкого перепада температур
- хранение без упаковки не допускается
- подробные требования к условиям хранения смотрите в ГОСТ 15150 (Условие 1)

Транспортировка

- категорически не допускается падение и любые механические воздействия на упаковку при транспортировке
- при разгрузке/погрузке не допускается использование любого вида техники, работающей по принципу зажима упаковки
- подробные требования к условиям транспортировки смотрите в ГОСТ 15150 (Условие 5)

ВНИМАНИЕ!

В случае возникновения перебоя в работе электроинструмента вследствие полного или частичного прекращения энергоснабжения или повреждения цепи управления энергоснабжением установите выключатель в положение Выкл., убедившись, что он не заблокирован (при его наличии) и отключите сетевую вилку от розетки или отсоедините съёмный аккумулятор (этот предотвращается неконтролируемый повторный запуск)

ВВЕДЕНИЕ

- Этот инструмент предназначен для завинчивания и отвинчивания шурупов, винтов и болтов
- Данный инструмент не подходит для промышленного использования
- Прочитайте и сохраните с данной инструкцией ③

ТЕХНИЧЕСКИЕ ДАННЫЕ ①

СТРАНА ИЗГОТОВЛЕНИЯ

Сделано в Китае

Макс. крутящий момент завинчивания при соединении жестких конструкционных материалов по ИСО 5393 : 140Nm

ДЕТАЛИ ИНСТРУМЕНТА ②

- A** Курок-выключатель вкл/выкл и регулятор скорости
- B** Выключатель для изменения направления вращения
- C** Фиксаторная втулка
- D** Индикатор выбранного направления вращения
- E** Вентиляционные отверстия
- F** Световой индикатор
- G** Крепление для ношения на ремне
- H** Индикатор уровня заряда

БЕЗОПАСНОСТЬ

ОБЩИЕ УКАЗАНИЯ ПО ТЕХНИКЕ БЕЗОПАСНОСТИ ОБ- РАЩЕНИЯ С ЭЛЕКТРОИНСТРУМЕНТАМИ

⚠ ВНИМАНИЕ! Следует ознакомиться со всеми правилами техники безопасности, инструкциями, иллюстрациями и техническими данными, содержащимися в прилагаемых к этому электроинструменту материалах. Несоблюдение нижеперечисленных инструкций в полном объеме может повлечь поражение электрическим током, пожар и/или серьезную травму.

Сохраняйте эти инструкции и указания для будущего использования.

Использованное в настоящих инструкциях и указаниях понятие “электроинструмент” распространяется на электроинструмент с питанием от сети (с кабелем питания от электросети) и на аккумуляторный электроинструмент (без кабеля питания от электросети).

1) БЕЗОПАСНОСТЬ РАБОЧЕГО МЕСТА

- a) **Соблюдайте чистоту и поддерживайте надлежащую освещенность на рабочем месте.** Беспорядок на рабочем месте или его плохое освещение могут привести к несчастным случаям.
- b) **Не используйте с электроинструментом во взрывоопасной среде, т.е. в непосредственной близости от легковоспламеняющихся жидкостей, газов или пыли.** В процессе работы электроинструмент искрит и искры могут воспламенить газы или пыль.
- c) **При работе с электроинструментом не допускайте детей или посторонних на Ваше рабочее место.** Отвлечение Вашего внимания может привести к потере контроля над работой электроинструмента.

2) ЭЛЕКТРИЧЕСКАЯ БЕЗОПАСНОСТЬ

- a) **Штепсельная вилка кабеля питания электроинструмента должна соответствовать розетке электросети. Не вносите никаких**

- изменений в конструкцию вилки. Не используйте адапторы для электроинструмента с защитным заземлением. Заводские штепсельные вилки и соответствующие им сетевые розетки существенно снижают вероятность электрошока.
- b) **Избегайте механических контактов с такими заземленными поверхностями, как трубопроводы, системы отопления, плиты и холодильники.** При соприкосновении человека с заземленными предметами во время работы инструментом вероятность электрошока существенно возрастает.
- c) **Оберегайте электроинструмент от воздействия дождя и влаги.** Попадание воды в электроинструмент повышает вероятность электрического удара.
- d) **Используйте кабель строго по назначению. Не допускается тянуть и передвигать электроинструмент за кабель или использовать кабель для вытягивания вилки из розетки. Оберегайте кабель инструмента от воздействия высоких температур, масла, острых кромок или движущихся частей электроинструмента.** Поврежденный или спутанный кабель повышает возможность электрического удара.
- e) **При работе на улице используйте удлинитель, предназначенный для работы вне помещения.** Использование такого удлинителя снижает вероятность электрического удара.
- f) **Если невозможно избежать применения электроинструмента в сыром помещении, то устанавливайте устройство защиты от утечки в землю.** Использование устройства защиты от утечки в землю снижает риск электрического поражения.
- 3) ЛИЧНАЯ БЕЗОПАСНОСТЬ**
- a) **Будьте внимательны, следите за тем, что Вы делаете и выполняйте работу обдуманно. Не пользуйтесь электроинструментом, если Вы устали или находитесь под воздействием транквилизаторов, алкоголя или медицинских препаратов.** Секундная потеря концентрации в работе с электроинструментом может привести к серьезным травмам.
- b) **Используйте средства индивидуальной защиты. Защитные очки обязательны.** Средства индивидуальной защиты, такие как противопылевой респиратор, нескользящая защитная обувь, шлем-каска, средства защиты органов слуха применяются в соответствующих условиях работы обстоятельствах и минимизируют возможность получения травм.
- c) **Предотвращайте непреднамеренное включение электроинструмента. Перед подключением электроинструмента к электропитанию и/или к аккумулятору убедитесь в выключенном состоянии электроинструмента.** Если Вы при транспортировке электроинструмента держите палец на выключателе или включенный электроинструмент подключаете к сети питания, то это может привести к несчастному случаю.
- d) **Во избежание травм перед включением электроинструмента удалите регулировочный или гаечный ключ из вращающейся части электроинструмента.**
- e) **Не переоценивайте свои возможности. Твердо стойте на ногах и удерживайте равномерно.** В таком положении вы сможете лучше контролировать электроинструмент в неожиданных ситуациях.
- f) **Используйте подходящую рабочую одежду. Не надевайте свободную одежду и украшения. Держите волосы и одежду вдали от движущихся частей.** Свободная одежда, украшения или длинные волосы легко могут попасть в движущиеся части электроинструмента.
- g) **При наличии пылеотсасывающих и пылесборных приспособлений убедитесь в том, что они подсоединены и используются надлежащим образом.** Применение пылесоса может снизить опасности, создаваемые пылью.
- h) **Хорошее знание электроинструментов, полученное в результате частого их использования, не должно приводить к самоуверенности и игнорированию техники безопасности обращения с электроинструментами.** Одно небрежное действие за долю секунды может привести к серьезным травмам.
- 4) ЭКСПЛУАТАЦИЯ И УХОД ЗА ЭЛЕКТРОИНСТРУМЕНТОМ**
- a) **Не перегружайте электроинструмент. Используйте тот электроинструмент, который предназначен для данной работы.** С подходящим электроинструментом Вы выполните работу лучше и надежней, используя весь диапазон его возможностей.
- b) **Не используйте электроинструмент с неисправным выключателем.** Инструмент с неисправным выключателем опасен и подлежит ремонту.
- c) **До начала наладки электроинструмента, замены принадлежностей или прекращения работы отключайте штепсельную вилку от розетки сети и/или выньте, если это возможно, аккумулятор.** Данная мера предосторожности предотвращает случайное включение электроинструмента.
- d) **Храните неиспользуемый электроинструмент в недоступном для детей месте и не позволяйте использовать его лицам, не умеющим с ним обращаться или не ознакомленным с инструкцией по эксплуатации.** Электроинструменты представляют собой опасность в руках неопытных пользователей.
- e) **Тщательно ухаживайте за электроинструментом и принадлежностями. Проверяйте безупречность функции подвижных частей, лёгкость их хода, целостность всех частей и отсутствие повреждений, которые могут негативно сказаться на работе инструмента.** При обнаружении повреждений сдайте инструмент в ремонт. Большое число несчастных случаев связано с неудовлетворительным уходом за электроинструментом.
- f) **Режущие части инструмента необходимо поддерживать в заточенном и чистом состоянии.** При надлежащем уходе за режущими принадлежностями с острыми кромками они режут

заклиниваются и инструмент лучше поддаётся контролю.

- g) **Используйте электроинструмент, принадлежности, биты и т.д. в соответствии с данными инструкциями, исходя из особенностей условий и характера выполняемой работы.** Использование электроинструмента не по назначению может привести к опасным последствиям.
- h) **Держите ручки и поверхности захвата сухими и чистыми, следите чтобы на них чтобы на них не было жидкой или консистентной смазки.** Скользкие ручки и поверхности захвата препятствуют безопасному обращению с инструментом и не дают надёжно контролировать его в непредвиденных ситуациях.
- 5) **Эксплуатация и уход за аккумуляторным электроинструментом**
- a) **Зарядка аккумуляторной батареи производится только на тех зарядных устройствах, которые рекомендованы изготовителем.** Использование нерегламентированных зарядных устройств для зарядки аккумуляторной батареи может привести к возгоранию.
- b) **В электроинструменте надлежит использовать только те аккумуляторные батареи, которые предусмотрены для данного инструмента.** Использование других аккумуляторных батарей может привести к травмам и возникновению пожарной опасности.
- c) **Не оставляйте аккумуляторную батарею рядом с металлическими предметами – канцелярскими скрепками, монетами, ключами, гвоздями, винтами и другими металлическими предметами, которые могут замкнуть контакты.** Короткое замыкание контактов аккумуляторной батареи может привести к ожогам или пожару.
- d) **В случаях ненадлежащего обращения с аккумуляторной батареей из нее может вытечь жидкость. Избегайте контакта с ней. При случайном попадании жидкости на кожу – промойте водой. При попадании жидкости в глаза, обратитесь также за помощью к врачу.** Вытекшая аккумуляторная жидкость может привести к раздражению кожи или ожогам.
- e) **Не используйте поврежденные или измененные аккумуляторы или инструменты.** Поврежденные или измененные аккумуляторы могут повести себя непредсказуемо, что может привести к возгоранию, взрыву или риску получения травмы.
- f) **Не кладите аккумулятор или инструмент в огонь и не подвергайте их воздействию высоких температур.** Огонь или температура выше 130°C могут привести к взрыву.
- g) **Выполняйте все инструкции по зарядке и не заряжайте аккумулятор или инструмент при температуре, выходящей за указанный в инструкции диапазон.** Неправильная зарядка или зарядка при температурах, выходящих за указанный диапазон, могут повредить батарею и повысить риск возгорания.
- 6) **СЕРВИСНОЕ ОБСЛУЖИВАНИЕ**
- a) **Передавайте электроинструмент на сервисное**

обслуживание только квалифицированному персоналу, использующему только подлинные запасные части. Это обеспечит сохранение безопасности электроинструмента.

- b) **Никогда не обслуживайте поврежденные аккумуляторы.** Обслуживать аккумуляторы разрешается только производителю или авторизованной сервисной организации.

ПРАВИЛА ТЕХНИКИ БЕЗОПАСНОСТИ ПРИ РАБОТЕ С АККУМУЛЯТОРНЫМ УДАРНЫМ ШУРУПОВЕРТОМ

- **Если при пользовании инструментом крепеж может задеть скрытую проводку, инструмент следует держать за изолированные поверхности** (контакт крепежа с находящейся под напряжением проводкой может привести к подаче напряжения на металлические части инструмента и поражению оператора электротоком)

ОБЩЕЕ

- Пыль от таких материалов, как свинцовосодержащая краска, некоторые породы дерева, минералы и металл, может быть вредна (контакт с такой пылью или ее вдыхание может стать причиной возникновения у оператора или находящихся рядом лиц аллергических реакций и/или респираторных заболеваний); **надевайте респиратор и работайте с пылеудаляющим устройством при включении инструмента**
- Некоторые виды пыли классифицируются как канцерогенные (например, дубовая или буковая пыль), особенно в сочетании с добавками для кондиционирования древесины; **надевайте респиратор и работайте с пылеудаляющим устройством при включении инструмента**
- Следуйте принятым в вашей стране требованиям/нормативам относительно пыли для тех материалов, с которыми вы собираетесь работать
- **Не обрабатывайте материалы с содержанием асбеста** (асбест считается канцерогеном)
- Убедитесь в том, что выключатель В ② находится в центральном положении (выключен) перед тем, как Вы начнете выполнять настройку инструмента или смену принадлежностей, а также при переноске и хранении инструмента

ПРИНАДЛЕЖНОСТИ

- SKIL обеспечивает надёжную работу инструмента только при использовании соответствующих приспособлений
- Использовать только принадлежности, предельно допустимая скорость вращения которых не меньше, чем максимальная скорость вращения прибора на холостом ходу

ПЕРЕД ИСПОЛЬЗОВАНИЕМ

- Избегайте повреждений, которые могут быть вызваны винтами, гвоздями и прочими элементами, находящимися в обрабатываемом предмете; перед началом работы их нужно удалить
- **Закрепите обрабатываемую деталь** (обрабатываемая деталь, зафиксированная посредством зажимных устройств или тисков, закрепляется лучше, нежели при помощи рук)
- **Используйте подходящие металлодетекторы для нахождения скрытых проводов снабжения или наведите справки в местных предприятиях**

коммунального хозяйства (контакт с электропроводкой может привести к пожару и электрическому удару; повреждение газопровода может привести к взрыву; повреждение водопровода может привести к повреждению имущества или вызвать электрический удар)

АНКУМУЛЯТОРЫ

- **Прилагаемый аккумулятор частично заряжен** (чтобы воспользоваться полной емкостью аккумулятора, полностью зарядите аккумулятор в зарядном устройстве перед первым использованием электроинструмента)
- **При эксплуатации инструмента следует пользоваться только следующими аккумуляторами и зарядными устройствами**
 - Аккумулятор SKIL: BR1*31****
 - Зарядное устройство SKIL: CR1*31****
- Запрещается использовать поврежденный аккумулятор; немедленно замените его
- Запрещается разбирать аккумулятор
- Не оставляйте инструмент / аккумулятор под дождем
- Допустимая температура окружающей среды (инструмент/зарядное устройство/аккумулятор):
 - при зарядке 4...40°C
 - при эксплуатации -20...+50°C
 - при хранении -20...+50°C

ПОЯСНЕНИЯ К УСЛОВНЫМ ОБОЗНАЧЕНИЯМ НА ИНСТРУМЕНТЕ/АНКУМУЛЯТОРНОЙ БАТАРЕЕ

- ③ Перед использованием ознакомьтесь с руководством по эксплуатации
- ④ При попадании в огонь батареи взрываются, поэтому ни в коем случае не сжигайте батареи
- ⑤ В зоне хранения инструмента, зарядного устройства и аккумулятора температура не должна подниматься выше 50°C
- ⑥ Не выкидывайте электроинструмент и батареи вместе с бытовым мусором

ИСПОЛЬЗОВАНИЕ

- Комбинированный выключатель предназначен для включения/выключения инструмента и регулирования частоты вращения А ②
 - скорость регулируется плавно в диапазоне от нуля до максимального значения путем изменения нажатия на курок выключателя А ④
 - Зарядка аккумулятора
 - ! **ознакомьтесь с прилагаемыми к зарядному устройству правилами техники безопасности**
 - Извлечение / установка аккумулятора ②
 - присоединение крепления для ремня ⑦
 - присоединение крепления для ремня G к дрели прилагаемым винтом.
 - Индикатор уровня заряда ⑧
 - чтобы узнать текущий уровень заряда аккумулятора, нажмите на кнопку индикатор уровня заряда H.
 - Изменение направления вращения ⑨
 - выключатель вкл/выкл А ② не работает, если не установлен в положение лево/право
- ! изменить направление вращения следует только в момент полной остановки инструмента**

- Сменные биты ⑩
 - чтобы вынуть вставку, потяните фиксирующую втулку С вперед ②
 - потяните фиксирующую втулку С вперед, вставьте вставку в держатель и отпустите фиксирующую втулку С для фиксации вставки. ⑩a ⑩b ⑩c
 - ! **пользуйтесь только вставками с шариковым фиксатором; для других вставок можно воспользоваться универсальным держателем с шариковым фиксатором ⑩b**
 - ! **не используйте биты с поврежденным стволем**
- Защита аккумулятора
 - Выключает инструмент или предохраняет инструмент от включения, если
 - нагрузка слишком велика
 - температура батареи вне пределов допустимой рабочей температуры от -20°C до +50°C
 - литиево-ионный аккумулятор практически разряжен (для предотвращения глубокой разрядки)
 - ! **в случае автоматического выключения инструмента не пытайтесь включить его снова, поскольку при этом может быть повреждена батарея**
- Световой индикатор F ⑪
 - Светодиодный индикатор F включается автоматически при включении выключателя А ⑪
- Удерживание и направление инструмента ⑫
 - ! **во время работы, всегда держите инструмент за места правильного хвата, которые обозначены серым цветом**
 - содержите вентиляционные отверстия Е ② не закрытыми
 - не прилагайте чрезмерных усилий к инструменту; дайте инструменту поработать за Вас

СОВЕТЫ ПО ИСПОЛЬЗОВАНИЮ

- Используйте только надлежащие биты ⑬
- При завинчивании шурупа в месте поперечного среза или рядом с ним, а также на кромке деревянной детали рекомендуем во избежание образования трещин сначала просверлить отверстие
- Для обеспечения оптимального режима работы инструмента нажимайте на винт с постоянным усилием при заворачивании и, особенно, при отворачивании
- При заворачивании в твердое дерево предвзвешивайте просверлить отверстие для винта
- Подробнее на сайте www.skil.com

ТЕХОБСЛУЖИВАНИЕ / СЕРВИС

- Данный инструмент не подходит для промышленного использования
- Инструмент следует содержать в чистоте (особенно вентиляционные отверстия Е ②)
 - ! **перед чистой следует извлечь из инструмента аккумулятор**
- Если инструмент, несмотря на тщательные методы изготовления и испытания, выйдет из строя, то ремонт следует производить силами авторизованной сервисной мастерской для электроинструментов

фирмы SKIL

- отправьте **неразобранный** инструмент со свидетельством покупки Вашему дилеру или в ближайшую станцию обслуживания фирмы SKIL (адреса и схема обслуживания инструмента приведены в вебсайте www.skil.com)
- Примите к сведению, что повреждения вследствие перегрузки или ненадлежащего обращения с инструментом не будут включены в гарантии (условия гарантии SKIL см. на сайте www.skil.com или узнайте у дилера в Вашем регионе)

ОХРАНА ОКРУЖАЮЩЕЙ СРЕДЫ

- **Не выкидывайте электроинструмент, батареи, принадлежности и упаковку вместе с бытовым мусором** (только для стран ЕС)
 - во исполнение европейской директивы 2012/19/ЕС об утилизации отслужившего свой срок электрического и электронного оборудования и в соответствии с действующим законодательством, утилизация электроинструментов производится отдельно от других отходов на предприятиях, соответствующих условиям экологической безопасности
 - значок  напомним Вам об этом, когда появится необходимость сдать электроинструмент на утилизацию
- ! **перед тем как выбросить аккумуляторы или направить их на утилизацию, изолируйте клеммы аккумуляторов прочной изоляционной лентой для исключения короткого замыкания**

ШУМ / ВИБРАЦИЯ


- Согласно измерениям в соответствии с EN 62841 уровень звукового давления этого инструмента составляет 94,5 дБ(A), уровень звуковой мощности — 105,5 дБ(A) (погрешность K = 3 дБ), а вибрация 14,5 м/с² (векторная сумма по трем осям; погрешность K = 1,5 м/с²)
- Уровень вибрации был измерен в соответствии со стандартизированным испытанием, содержащимся в EN 62841; данная характеристика может использоваться для сравнения одного инструмента с другим, а также для предварительной оценки воздействия вибрации при использовании данного инструмента для указанных целей
 - при использовании инструмента в других целях или с другими/неисправными вспомогательными приспособлениями уровень воздействия вибрации может значительно **повышаться**
 - в периоды, когда инструмент отключен или функционирует без фактического выполнения работы, уровень воздействия вибрации может значительно **снижаться**
- ! **защищайте себя от воздействия вибрации, поддерживая инструмент и его вспомогательные приспособления в исправном состоянии, поддерживая руки в тепле, а также правильно организуя свой рабочий процесс**

UA

Акумуляторний ударний шурупверт

3210

ВСТУП

- Цей інструмент, що має праве/ліве обертання, призначений для вкручування та викручування гвинтів і болтів
- Цей інструмент не придатний для промислового використання
- Прочитайте і збережіть цю Інструкцію з експлуатації 

ТЕХНІЧНІ ДАНІ


Макс. обертальний момент при закручуванні в жорсткі матеріали відп. до ISO 5393 : 140Nm

ЕЛЕМЕНТИ ІНСТРУМЕНТА

- A** Вимикач для вкл/викл та регулювання швидкості
- B** Вимикач для зміни напрямку обертання
- C** Фіксаторна втулка
- D** Індикатор обраного напрямку обертання
- E** Вентиляційні отвори
- F** Світлодіодний індикатор
- G** Кліпса на ремінь
- H** Індикатор рівня заряду батареї

БЕЗПЕКА

ЗАГАЛЬНІ ВКАЗІВКИ З ТЕХНІКИ БЕЗПЕКИ ПОВОДЖЕННЯ З ЕЛЕКТРОІНСТРУМЕНТАМИ

 **ПОПЕРЕДЖЕННЯ** Уважно вивчіть запобіжні заходи та ілюстрації, а також прочитайте вказівки та технічні умови, що входять в комплект поставки цього електроінструменту. Недотримання нижчеперелічених вказівок у повному обсязі може спричинити ураження електричним струмом, пожежу та / або серйозну травму.

Добре зберігайте на майбутнє ці попередження і вказівки.

Під поняттям "електроприлад" в цих попередженнях мається на увазі електроприлад, що працює від мережі (з електрокабелем) або від акумуляторної батареї (без електрокабелю).

1) БЕЗПЕКА НА РОБОЧОМУ МІСЦІ

- Примайте своє робоче місце в чистоті та прибирайте його.** Безлад або погане освітлення на робочому місці можуть призводити до нещасних випадків.
- Не працюйте з приладом у середовищі, де існує небезпека вибуху внаслідок присутності горючих рідин, газів або пилу.** Електроприлади можуть породжувати іскри, від яких може займатися пил або пара.

- c) Під час працювання з приладом не підпускайте до робочого місця дітей та інших людей. Ви можете втратити контроль над приладом, якщо Ваша увага буде відвернута.
- 2) ЕЛЕКТРИЧНА БЕЗПЕКА**
- a) Штепсель приладу повинен пасувати до розетки. Не дозволяється що-небудь міняти в штепселі. Для роботи з приладами, що мають захисне заземлення, не використовуйте адаптери. Використання оригінального штепселя та належної розетки зменшує ризик удару електричним струмом.
- b) Уникайте контакту частей тіла із заземленими поверхнями, як напр., трубами, батареями опалення, печами та холодильниками. Коли Ваше тіло заземлене, існує збільшена небезпека удару електричним струмом.
- c) Захищайте прилад від дощу та вологи. Попадання води в електроінструмент збільшує ризик удару електричним струмом.
- d) Не використовуйте кабель для перенесення приладу, підвішування або витягування штепселя з розетки. Захищайте кабель від жару, олії, гострих країв та деталей приладу, що рухаються. Пошкоджений або закручений кабель збільшує ризик удару електричним струмом.
- e) Для зовнішніх робіт обов'язково використовуйте лише такий подовжувач, що допущений для зовнішніх робіт. Використання подовжувача, що розрахований на зовнішні роботи, зменшує ризик удару електричним струмом.
- f) Якщо не можна запобігти використанню електроприладу у вологому середовищі, використовуйте пристрій захисту від витоків в землю. Використання зристою захисту від витоків в землю зменшує ризик удару електричним струмом.
- 3) БЕЗПЕКА ЛЮДЕЙ**
- a) Будьте уважними, слідкуйте за тим, що Ви робите, та розсудливо поводьтеся під час роботи з електроприладом. Не користуйтеся приладом, якщо Ви стомлені або знаходитесь під дією наркотинів, спиртних напоїв або лік. Мить неувважності при користуванні приладом може призводити до серйозних травм.
- b) Вдягайте особисте захисне спорядження та обов'язково вдягайте захисні окуляри. Вдягання особистого захисного спорядження, як напр., - в залежності від виду робіт - захисної маски, спецвзуття, що не ковзає, каски або навушників, зменшує ризик травм.
- c) Уникайте ненавмисного вмикання. Перш ніж вмикати електроприлад в електромережу або вставляти акумуляторну батарею, брати його в руки або переносити, впевніться в тому, що електроприлад вимкнений. Тримання пальця на вимикачі під час перенесення електроприладу або втручання в розетку увімкненого приладу може призводити до травм.
- d) Перед тим, як вмикати прилад, приберіть налагоджувальні інструменти та гайковий ключ. Знаходження налагоджувального інструмента або ключа в деталі, що обертається, може призводити до травм.
- e) Не переоцінюйте себе. Зберігайте стійке положення та завжди зберігайте рівновагу. Це дозволить Вам краще зберігати контроль над приладом у несподіваних ситуаціях.
- f) Вдягайте придатний одяг. Не вдягайте просторий одяг та прикраси. Не підставляйте волосся й одяг до деталей, що рухаються. Просторий одяга, прикраси та довге волосся можуть попадати в деталі, що рухаються.
- g) Якщо існує можливість монтувати пиловідсмоктувальні або пилоуловлювальні пристрої, переконайтеся, щоб вони були добре під'єднані та правильно використовувалися. Використання пиловідсмоктувального пристрою може зменшити небезпеки, зумовлені пилом.
- h) Добре знання електроінструментів, отримане в результаті частого їх використання, не повинно призводити до самовпевненості й ігнорування принципів техніки безпеки. Необережна дія може в одну мить призвести до важкої травми.
- 4) ПРАВИЛЬНЕ ПОВОДЖЕННЯ ТА КОРИСТУВАННЯ ЕЛЕКТРОПРИЛАДАМИ**
- a) Не перевантажуйте прилад. Використовуйте такий прилад, що спеціально призначений для певної роботи. З придатним приладом Ви з меншим ризиком отримаєте кращі результати роботи, якщо будете працювати в зазначеному діапазоні потужності.
- b) Не користуйтеся приладом з пошкодженням вимикачем. Прилад, який не можна увімкнути або вимкнути, є небезпечним і його треба відремонтувати.
- c) Перед тим, як регулювати що-небудь на приладі, міняйте приладдя або ховати прилад, витягніть штепсель із розетки та/або витягніть акумуляторну батарею, якщо вона знімається. Ці попереджувальні заходи з техніки безпеки зменшують ризик ненавмисного запуску приладу.
- d) Зберігайте електроприлади, якими Ви саме не користуетесь, далеко від дітей. Не дозволяйте користуватися електроприладом особам, що не знайомі з його роботою або не читали ці вказівки. У разі застосування недосвідченими особами прилади несуть в собі небезпеку.
- e) Старанно доглядайте за електроінструментами і приладдям. Перевірте, щоб рухомі деталі приладу бездоганно працювали та не заїдали, не були поламаними або настільки пошкодженими, щоб це могло вплинути на функціонування приладу. Пошкоджені деталі треба відремонтувати в авторизованій майстерні, перш ніж ними можна знову користуватися. Велика кількість нещасних випадків спричиняється поганим доглядом за електроприладами.
- f) Тримайте різальні інструменти добре нагостреними та в чистоті. Старанно доглянути різальні інструменти з гострим різальним краєм менше застряють та їх легше вести.
- g) Використовуйте електроприлади, приладдя до них, робочі інструменти т.і. відповідно до цих вказівок. Беріть до уваги при цьому умови роботи та специфіку виконуваної роботи. Використання електроприладів для робіт, для

яких вони не передбачені, може призводити до небезпечних ситуацій.

- h) **Тримайте рукоятки і поверхні захвату сухими і чистими, слідуйте, щоб на них не було оливи або густо мастила.** Слизькі рукоятки і поверхні захвату унеможливають безпечно поводження з електроінструментом та його контролювання в неочікуваних ситуаціях.
- 5) **ПРАВИЛЬНЕ ПОВОДЖЕННЯ ТА КОРИСТУВАННЯ ЕЛЕКТРОПРИЛАДАМИ, ЩО ПРАЦЮЮТЬ НА АКУМУЛЯТОРНИХ БАТАРЕЯХ**
 - a) **Заряджуйте акумуляторні батареї лише в заряджувальних пристроях, рекомендованих виготовлювачем.** Використання заряджувального пристрою для акумуляторних батарей, для яких він не передбачений, може призводити до пожежі.
 - b) **Використовуйте в електроприладах лише рекомендовані акумуляторні батареї.** Використання інших акумуляторних батарей може призводити до травм та пожежі.
 - c) **Не зберігайте акумуляторну батарею, якою Ви саме не користуєтесь, поряд із канцелярськими скріпками, ключами, гвіздками, гвинтами та іншими невеликими металевими предметами, які можуть спричинити перемикання контактів.** Коротке замикання між контактами акумуляторної батареї може спричинити опіки або пожежу.
 - d) **При неправильному використанні з акумуляторної батареї може потекти рідина. Уникайте контакту з нею. При випадковому контакті промийте відповідне місце водою. Якщо рідина потрапила в очі, додатково зверніться до лікаря.** Акумуляторна рідина може спричинити подразнення шкіри або опік.
 - e) **Не використовуйте пошкоджені або модифіковані акумулятори або електроінструменти.** Пошкоджені або модифіковані акумулятори повестися неочікувано, що може призвести до пожежі, вибуху або ризику травми.
 - f) **Не піддавайте акумулятор або електроінструмент дії вогню або високих температур.** Вогонь або температури вищі за 130°C можуть призвести до вибуху.
 - g) **Виконуйте всі вказівки із заряджання і не заряджайте акумулятор або електроінструмент за температур, що виходять за вказані в інструкції межі.** Неправильне заряджання або заряджання за температур, що виходять за вказані межі, може пошкодити батарею і підвищити ризик займання.
 - 6) **СЕРВІС**
 - a) **Віддавайте свій прилад на ремонт лише кваліфікованим фахівцям та лише з використанням оригінальних запчастин.** Це забезпечить безпечність приладу на довгий час.
 - b) **Ніколи не обслуговуйте пошкоджені акумулятори.** Обслуговувати акумулятори дозволяється лише виробнику або авторизованим сервісним організаціям.

ІНСТРУКЦІ З ТЕХНІКИ БЕЗПЕКИ ДЛЯ АКУМУЛЯТОРНОГО УДАРНОГО ШУРУПОВЕРТА

- **Під час работ, коли гвинт може зачепити захищену електропроводку, тримайте електроінструмент за ізольовані рукоятки** (зачеплення проводки, що знаходиться під напругою, може заряджувати також і металеві частини електроінструмента та призводити до удару електричним струмом)

ЗАГАЛЬНЕ

- Пил від таких матеріалів, як свинцовоутримуюча фарба, деякі породи дерева, мінерали й метал, може бути шкідливим (контакт із таким пилом або його вдихання може стати причиною виникнення в оператора або осіб, що перебувають поруч, алергічних реакцій і/або респіраторних захворювань); **надягайте респіратор і працюйте з пиловидальючим пристроєм під час увімкнення інструмента**
- Деякі види пилу класифікуються як канцерогенні (наприклад, дубовий або буковий пил), особливо в сполученні з добавками для кондиціонування деревини; **надягайте респіратор і працюйте з пиловидальючим пристроєм під час увімкнення інструмента**
- Слідуйте інструкціям по роботі з матеріалами, продукуючими пил
- **Не обробляйте матеріали, що містять асбест** (асбест вважається канцерогенним)
- Преконайтеся що бігунець вимикач В ² в середньому положенні (блокування) перед будь-якими налагодками чи замінами приладдя, тоді коли він тримає або покляли інструмент

АНКСЕСУАРИ

- SKIL гарантує надійну роботу інструмента тільки при використанні відповідного приладдя
- Використовуйте лише приладдя, припустима швидкість обертання якого як мінімум відповідає найвищій швидкості інструмента без навантаження

ПЕРЕД ВИКОРИСТАННЯМ

- Не допускайте пошкоджень, які можуть нанести шурупи, цвяхи і інші елементи вашому виробу; видаліть їх перед початком роботи
- **Зафіксуйте оброблювану деталь** (оброблювана деталь, зафіксована за допомогою затискних пристроїв або лещат, закріплюється краще, ніж вручну)
- **Використовуйте придатні пошукові прилади для знаходження захищених в будівлі труб та кабелів або зверніться за допомогою в місцеве підприємство електро-, газо- та водопостачання** (зачеплення електропроводки може призводити до пожежі та удару електричним струмом; зачеплення газової труби може призводити до вибуху; зачеплення водопровідної труби може завдати шкоду матеріальним цінностям або призводити до удару електричним струмом)

АКУМУЛЯТОР

- **Акумулятор, який постачається в комплекті, є частково зарядженим** (повністю зарядіть акумулятор в зарядному пристрої перед першим використанням свого електроінструменту, щоб забезпечити повну потужність акумулятора)
- **Використовуйте з інструментом тільки такі**

акумулятори і зарядні пристрої

- Акумулятор SKIL: BR1*31****
- Зарядний пристрій SKIL: CR1*31****
- Не використовуйте пошкоджений акумулятор; негайно від'єднайте його від інструмента
- Не розбирайте акумулятор
- Виключіть можливість потрапляння дощу на інструмент або акумулятор
- Дозволена температура довкілля (інструмент/зарядний пристрій/акумулятор):
 - під час зарядження 4...40°C
 - під час роботи -20...+50°C
 - під час зберігання -20...+50°C

ПОЯСНЕННЯ ДО УМОВНИХ ПОЗНАЧЕНЬ НА ІНСТРУМЕНТІ/АКУМУЛЯТОРІ

- ③ Перед використанням прочитайте інструкцію із застосування
- ④ При влученні у вогонь батареї вибухають, тому в жодному разі не спалюйте батареї
- ⑤ Зберігайте інструмент/зарядний пристрій/акумулятор при температурі не більшій 50°C
- ⑥ Не викидайте електроінструмент та батареї разом зі звичайним сміттям

ВИКОРИСТАННЯ

- Комбінований перемикач для вмикання/вимикання та керування обертами А ②
 - плавно керує обертами від нуля до максимальних в залежності від сили натискання на перемикач А ④
- Зарядження акумулятора
 - ! ознайомтеся з попередженнями і вказівками з техніки безпеки, які надаються з зарядним пристроєм

- Видалення/встановлення батареї ②
- Закріплення кліпси на ремінь ⑦
 - закріпіть кліпсу на ремінь G дрилі за допомогою гвинта, який надається в наборі.
- Індикатор рівня заряду батареї ⑧
 - натисніть кнопку індикатора рівня заряду акумулятора H, щоб побачити поточний рівень заряду.

- Зміна напрямку обертання ⑨
 - при неповній установці положення лів/прав пусковий вимикач А ② не працює
- ! **мініайте напрям обертання тільки при повній зупинці інструмента**

- Заміна насадок ⑩
 - щоб видалити біт, потягніть фіксаторну втулку C вперед ②
 - потягніть фіксаторну втулку C вперед, вставте біт до упору в насадку і ослабте фіксаторну втулку C, щоб зафіксувати біт. ⑩a ⑩b ⑩c

! **використовуйте біти тільки з кульовою клямкою; інші біти можна використовувати тільки з універсальною насадкою з кульовою клямкою ⑩b**

! **не використовуйте насадки з пошкодженням стовбуром**

- Захист акумулятора
 - Вимикає інструмент або захищає інструмент від вмикання, якщо
 - навантаження занадто велике

- температура батареї знаходиться поза межами діапазону робочих температур від -20 до +50°C
- літєво-юний акумулятор практично розряджений (для попередження глибокого розрядження)
 - ! **не продовжуйте роботу та не натискайте вмикач після автоматичного вимкнення інструмента; такими діями можна пошкодити батарею**

- Світлодіодний індикатор F ⑪
 - Світлодіодний індикатор F загорається автоматично при включенні перемикача А ⑪
- Утримування і робота інструментом ⑫
 - ! **під час роботи, завжди тримайте інструмент за частини захвату сірого кольору**
 - тримайте вентиляційні отвори E ② незакритими
 - не тисніть на інструмент; дайте інструменту можливість працювати за вас

ПОРАДИ ПО ВИКОРИСТАННЮ

- Використовуйте відповідні насадки ⑬
- При вгвинчуванні шурупів у поперечний зріз дерева або біля нього або в кромку дерева необхідно спочатку просвердлити отвір, щоб запобігти розколу деревини
- Для оптимального вгвинчування необхідно створювати постійний тиск на інструмент, коли вигвинчуєте тиснути треба сильніше
- Коли працюєте з особливо твердими породами дерев необхідно зробити попереднє просвердлювання
- Дивіться додаткову інформацію на сайті www.skil.com

ДОГЛЯД/ОБСЛУГОВУВАННЯ

- Цей інструмент не придатний для промислового використання
- Завжди тримайте інструмент в чистоті (особливо вентиляційні отвори E ②)
 - ! **виймайте акумулятор з інструмента перед очищенням**
- Якщо незважаючи на ретельну технологію виготовлення і перевірки інструмент все-таки вийде з ладу, його ремонт дозволяється виконувати лише в авторизованій сервісній майстерні для електроприладів SKIL
 - надішліть нерозібраний інструмент разом з доказом купівлі до Вашого дилера або до найближчого центру обслуговування SKIL (адреси, а також діаграма обслуговування пристрою, подаються на сайті www.skil.com)
- Візьміть до відома, що ушкодження внаслідок перевантаження або неналежного поводження з інструментом не будуть включені в гарантію (умови гарантії SKIL див. на сайті www.skil.com або довідайтеся в дилера у Вашому регіоні)

ОХОРОНА НАВКОЛИШНЬОЇ СЕРЕДИ

- **Не викидайте електроінструмент, батареї, приналежності та упакунок разом зі звичайним сміттям** (тільки для країн ЄС)
 - відповідно до європейської директиви 2012/19/ЄС щодо утилізації старих електричних та електронних приладів, в залежності з місцевим законодавством,

електроінструмент, який перебував в експлуатації повинен бути утилізований окремо, безпечним для навколишнього середовища шляхом

- малюнок 6 нагадає вам про це

! перед тим, як позбутися акумулятора: заклейте грубою клейкою стрічкою клемми, щоб запобігти короткому замиканню

ШУМ / ВІБРАЦІЯ

- За вимірами відповідно до EN 62841 рівень звукового тиску цього інструменту становлює 94,5 дБ(A) та рівень потужності звуку дорівнює 105,5 дБ(A) (коефіцієнт недостовірності K = 3 дБ), а вібрація 14,5 м/с² (трисекційна векторна сума; коефіцієнт недостовірності K = 1,5 м/с²)
 - Рівень вібрації було виміряно у відповідності зі стандартизованим випробуванням, що міститься в EN 62841; дана характеристика може використовуватися для порівняння одного інструмента з іншим, а також для попередньої оцінки впливу вібрації під час застосування даного інструмента для вказаних цілей
 - при використанні інструмента в інших цілях або з іншими/несправними допоміжними пристосуваннями рівень впливу вібрації може значно **підвищуватися**
 - у періоди, коли інструмент вимкнений або функціонує без фактичного виконання роботи, рівень впливу вібрації може значно **знижуватися**
- ! захищайте себе від впливу вібрації, підтримуючи інструмент і його допоміжні пристосування в справному стані, підтримуючи руки в теплі, а також правильно організовуючи свій робочий процес**

GR

Палміко катсаβίδι μπαταρίας

3210

ΕΙΣΑΓΩΓΗ

- Αυτό το εργαλείο προορίζεται για το βίδωμα και το ξεβίδωμα βιδών και κοχλιών
- Αυτό το εργαλείο δεν προορίζεται για επαγγελματική χρήση
- Διαβάστε και φυλάξτε αυτές τις οδηγίες χρήσεως ③

ΤΕΧΝΙΚΑ ΧΑΡΑΚΤΗΡΙΣΤΙΚΑ ①

Μέγιστη ροπή στρέψης σκληρή περίπτωση βιδώματος σύμφωνα με ISO 5393 : 140Nm

ΜΕΡΗ ΤΟΥ ΕΡΓΑΛΕΙΟΥ ②

- A Διακόπτης εκκίνησης/στάσης και ελέγχου ταχύτητας
- B Διακόπτης αλλαγής της κατεύθυνσης περιστροφής
- C Κέλυφος μανδάλωσης
- D Ένδειξη επιλεγμένης κατεύθυνσης περιστροφής
- E Σχισμές αερισμού
- F Λαμπάκι LED
- G Κλιπ ζώνης
- H Ένδειξη κατάστασης μπαταρίας

ΑΣΦΑΛΕΙΑ

ΓΕΝΙΚΕΣ ΥΠΟΔΕΙΞΕΙΣ ΑΣΦΑΛΕΙΑΣ ΓΙΑ ΗΛΕΚΤΡΙΚΑ ΕΡΓΑΛΕΙΑ

⚠ ΠΡΟΕΙΔΟΠΟΙΗΣΗ Διαβάστε όλες τις προειδοποιήσεις ασφαλείας καθώς και τις οδηγίες, εικόνες και προδιαγραφές που παρέχονται με αυτό το ηλεκτρικό εργαλείο. Αμέλεια τήρησης όλων των οδηγιών που παρατίθενται παρακάτω μπορεί να προκαλέσει ηλεκτροπληξία, πυρκαγιά ή/και σοβαρό τραυματισμό.

Φυλάξτε όλες τις υποδείξεις ασφαλείας και τις οδηγίες για το μέλλον.

Ο ορισμός “ηλεκτρικό εργαλείο” που χρησιμοποιείται στις προειδοποιητικές υποδείξεις αναφέρεται σε ηλεκτρικά εργαλεία που τροφοδοτούνται από το ηλεκτρικό δίκτυο (με ηλεκτρικό καλώδιο) καθώς και σε ηλεκτρικά εργαλεία που τροφοδοτούνται από μπαταρία (χωρίς ηλεκτρικό καλώδιο).

1) ΑΣΦΑΛΕΙΑ ΣΤΟ ΧΩΡΟ ΕΡΓΑΣΙΑΣ

- a) **Διατηρείτε το χώρο που εργάζεσθε καθαρό και καλά φωτισμένο.** Αταξία στο χώρο που εργάζεσθε ή μη φωτισμένες περιοχές εργασίας μπορεί να οδηγήσουν σε ατυχήματα.
- b) **Μην εργάζεσθε με το ηλεκτρικό εργαλείο σε περιβάλλον που υπάρχει κίνδυνος έκρηξης, στο οποίο υπάρχουν εύφλεκτα υγρά, αέρια ή σκόνη.** Τα ηλεκτρικά εργαλεία μπορεί να δημιουργήσουν σπινθηρισμό ο οποίος μπορεί να αναφλέξει τη σκόνη ή τις αναθυμιάσεις.
- c) **Όταν χρησιμοποιείτε το ηλεκτρικό εργαλείο κρατάτε τα παιδιά κι άλλα τυχόν πρόσωπα μακριά από το χώρο που εργάζεσθε.** Σε περίπτωση που άλλα άτομα αποσπάσουν την προσοχή σας μπορεί να χάσετε τον έλεγχο του μηχανήματος.

2) ΗΛΕΚΤΡΙΚΗ ΑΣΦΑΛΕΙΑ

- a) **Το φως του καλωδίου του ηλεκτρικού εργαλείου πρέπει να ταιριάζει στην αντίστοιχη πρίζα. Δεν επιτρέπεται με κανένα τρόπο η μετασκευή του φως. Μη χρησιμοποιείτε προσωποσμηκτικά φως σε συνδυασμό με ηλεκτρικά εργαλεία συνδεδεμένα με τη γη (γειωμένα).** Αθικτα φως και κατάλληλες πρίζες μειώνουν τον κίνδυνο ηλεκτροπληξίας.
- b) **Αποφεύγετε την επαφή του σώματός σας με γειωμένες επιφάνειες όπως σωλήνες, θερμαντικά σώματα (καλοριφέρ), κουζίνες και ψυγεία.** Όταν το σώμα σας είναι γειωμένο αυξάνεται ο κίνδυνος ηλεκτροπληξίας.
- c) **Μην εκθέτετε το ηλεκτρικό εργαλείο στη βροχή ή την υγρασία.** Η διείσδυση νερού στο ηλεκτρικό εργαλείο αυξάνει τον κίνδυνο ηλεκτροπληξίας.
- d) **Μη χρησιμοποιείτε το καλώδιο για να μεταφέρετε ή ν' αναρτήσετε το ηλεκτρικό εργαλείο ή για να βγάλετε το φως από την πρίζα. Κρατάτε το καλώδιο μακριά από υψηλές θερμοκρασίες, λάδια, κοφτερές ακμές ή κινούμενα εξαρτήματα.** Τυχόν χαλασμένα ή μπερδεμένα καλώδια αυξάνουν τον κίνδυνο ηλεκτροπληξίας.
- e) **Όταν εργάζεσθε με το ηλεκτρικό εργαλείο στο ύπαιθρο χρησιμοποιείτε πάντοτε καλώδια**

επιμήκυνσης (μπαλαντάζες) που έχουν εγκριθεί για χρήση σε εξωτερικούς χώρους. Η χρήση καλωδίων επιμήκυνσης εγκριμένων για εργασία σε εξωτερικούς χώρους μειώνει τον κίνδυνο ηλεκτροπληξίας.

- f) Όταν η χρήση του ηλεκτρικού εργαλείου σε υγρό περιβάλλον είναι αναπόφευκτη, τότε χρησιμοποιήστε έναν προστατευτικό διακόπτη διαρροής. Η χρήση ενός προστατευτικού διακόπτη διαρροής ελαττώνει τον κίνδυνο ηλεκτροπληξίας.
- 3) **ΑΣΦΑΛΕΙΑ ΠΡΟΣΩΠΩΝ**
- a) Να είστε πάντοτε προσεκτικός/προσεκτική, να δίνετε προσοχή στην εργασία που κάνετε και να χειρίζεστε το ηλεκτρικό εργαλείο με περίσκεψη. Μην κάνετε χρήση του ηλεκτρικού εργαλείου όταν είστε κουρασμένος/κουρασμένη ή όταν βρίσκεσθε υπό την επιρροή ναρκωτικών, οινόπνευματος ή φαρμάκων. Μια στιγμήα απροσεξία κατά το χειρισμό του ηλεκτρικού εργαλείου μπορεί να οδηγήσει σε σοβαρούς τραυματισμούς.
- b) **Φοράτε προστατευτικά ενδύματα και πάντοτε προστατευτικά γυαλιά.** Όταν φοράτε ενδύματα ασφαλείας, ανάλογα με το υπό χρήση ηλεκτρικό εργαλείο, όπως προσωπίδα προστασίας από σκόνη, αντιολισθητικά παπούτσια ασφαλείας, κράνη ή ωτασπίδες, μειώνεται ο κίνδυνος τραυματισμών.
- c) **Αποφύγετε την αβέλητη εκκίνηση. Βεβαιωθείτε ότι το ηλεκτρικό εργαλείο έχει απογευχτεί πριν το συνδέσετε με το ηλεκτρικό δίκτυο ή/και με την μπαταρία καθώς και πριν το παραλάβετε ή το μεταφέρετε.** Όταν μεταφέρετε το ηλεκτρικό εργαλείο έχοντας το δάχτυλό σας στο διακόπτη ή όταν συνδέσετε το μηχάνημα με την πηγή ρεύματος όταν αυτό είναι ακόμη συζευγμένο, τότε δημιουργείται κίνδυνος τραυματισμών.
- d) **Αφαιρείτε από τα ηλεκτρικά εργαλεία πριν τα θέσετε σε λειτουργία τυχόν συναρμολογημένα χρησιμοποιήσιμα εργαλεία ή κλειδιά.** Ενα εργαλείο ή κλειδί συναρμολογημένο στο περιστρεφόμενο εξάρτημα ενός ηλεκτρικού εργαλείου μπορεί να οδηγήσει σε τραυματισμούς.
- e) **Μην υπερκτιμάτε τον εαυτό σας. Φροντίζετε για την ασφαλή στήριξη του σώματος σας και διατηρείτε πάντοτε την ισορροπία σας.** Αυτό σας επιτρέπει τον καλύτερο έλεγχο το ηλεκτρικού εργαλείου σε περιπτώσεις απροσδόκητων καταστάσεων.
- f) **Φοράτε κατάλληλη ενδυμασία εργασίας. Μη φοράτε φαρδιά ρούχα ή κοσμήματα. Κρατάτε τα μαλλιά και τα ρούχα σας μακριά από κινούμενα εξαρτήματα.** Χαλαρή ενδυμασία, κοσμήματα και μακριά μαλλιά μπορεί να εμπλακούν στα κινούμενα εξαρτήματα.
- g) **Αν υπάρχει η δυνατότητα συναρμολόγησης διατάξεων αναρρόφησης ή συλλογής σκόνης, βεβαιωθείτε αν οι διατάξεις αυτές είναι συνδεδεμένες καθώς κι αν χρησιμοποιούνται σωστά.** Η χρήση μιας αναρρόφησης σκόνης μπορεί να ελαττώσει τον κίνδυνο που προκαλείται από τη σκόνη.
- h) **Μην εφησυχάζετε σε μια λάθος ασφάλεια και μην αφήφατε τους κανόνες ασφαλείας για τα ηλεκτρικά εργαλεία, ακόμα και όταν μετά από συχνή χρήση είστε εξοικειωμένοι με το εργαλείο.**

Ένας απρόσεκτος χειρισμός μπορεί μέσα σε κλάσματα του δευτερολέπτου να οδηγήσει σε σοβαρούς τραυματισμούς.

4) **ΧΡΗΣΗ ΚΙ ΕΠΙΜΕΛΗΣ ΧΕΙΡΙΣΜΟΣ ΤΩΝ ΗΛΕΚΤΡΙΚΩΝ ΕΡΓΑΛΕΙΩΝ**

- a) **Μην υπερφορτώνετε το ηλεκτρικό εργαλείο. Χρησιμοποιείτε για την εκάστοτε εργασία σας το ηλεκτρικό εργαλείο που προορίζεται γι' αυτήν.** Με το κατάλληλο ηλεκτρικό εργαλείο εργάζεσθε καλύτερα και ασφαλέστερα στην αναφερόμενη περιοχή ισχύος.
- b) **Μη χρησιμοποιήσετε ποτέ ένα ηλεκτρικό εργαλείο του οποίου ο διακόπτης ON/OFF είναι χαλασμένος.** Ενα ηλεκτρικό εργαλείο το οποίο δεν μπορεί να τεθεί πλέον σε ή εκτός λειτουργίας είναι επικίνδυνο και πρέπει να επισκευαστεί.
- c) **Τραβήξτε το φις από την πρίζα και/ή απομακρύνετε μια αποσπώμενη μπαταρία, προτού εκτελέσετε ρυθμίσεις στο ηλεκτρικό εργαλείο, προτού αλλάξετε εξαρτήματα ή φυλάξετε το ηλεκτρικό εργαλείο.** Αυτά τα προληπτικά μέτρα ασφαλείας μειώνουν τον κίνδυνο από τυχόν αβέλητη εκκίνηση του ηλεκτρικού εργαλείου.
- d) **Διαφυλάγετε τα ηλεκτρικά εργαλεία που δε χρησιμοποιείτε μακριά από παιδιά. Μην αφήνετε άτομα που δεν είναι εξοικειωμένα με το ηλεκτρικό εργαλείο ή δεν έχουν διαβάσει αυτές τις οδηγίες χρήσης να το χρησιμοποιήσουν.** Τα ηλεκτρικά εργαλεία είναι επικίνδυνα όταν χρησιμοποιούνται από άπειρα πρόσωπα.
- e) **Φροντίζετε τα ηλεκτρικά εργαλεία και τα εξάρτημα με επιμέλεια. Ελέγχετε, αν τα κινούμενα εξαρτήματα λειτουργούν άμοφα, χωρίς να μπλοκάρουν, ή μήπως έχουν σπάσει ή φθαρεί τυχόν εξαρτήματα τα οποία επηρεάζουν τον τρόπο λειτουργίας του ηλεκτρικού εργαλείου. Δώστε αυτά τα χαλασμένα εξαρτήματα για επισκευή πριν τα ξαναχρησιμοποιήσετε.** Η κακή συντήρηση των ηλεκτρικών εργαλείων αποτελεί αιτία πολλών ατυχημάτων.
- f) **Διατηρείτε τα κοπτικά εργαλεία κοφτερά και καθαρά.** Τα κοπτικά εργαλεία που συντηρούνται με προσοχή μπορούν να οδηγηθούν εύκολα και να ελεγχθούν καλύτερα.
- g) **Χρησιμοποιείτε τα ηλεκτρικά εργαλεία, τα εξαρτήματα, τα χρησιμοποιήσιμα εργαλεία κτλ. σύμφωνα με τις παρούσες οδηγίες καθώς. Λαμβάνετε ταυτόχρονα υπόψη σας τις συνθήκες εργασίας και την υπό εκτέλεση εργασία.** Η χρήση του ηλεκτρικού εργαλείου για άλλες εκτός από τις προβλεπόμενες εργασίες μπορεί να δημιουργήσει επικίνδυνες καταστάσεις.
- h) **Διατηρείτε τις λαβές και επιφάνειες λαβής στεγνές, καθαρές και ελεύθερες από λάδι και γράσο.** Οι ολισθηρές λαβές και επιφάνειες λαβής δεν επιτρέπουν κανέναν ασφαλή χειρισμό και έλεγχο του ηλεκτρικού εργαλείου σε τυχόν απρόβλεπτες καταστάσεις.
- 5) **ΧΡΗΣΗ ΚΙ ΕΠΙΜΕΛΗΣ ΧΕΙΡΙΣΜΟΣ ΕΡΓΑΛΕΙΩΝ ΜΠΑΤΑΡΙΑΣ**
- a) **Φορτίζετε μόνο με φορτιστής που προβλπει ο κατασκευαστής.** Η φόρτιση με φορτιστή που δεν προορίζονται για τον υπό φόρτιση τύπο του μπλοκ μπαταρίας δημιουργεί κίνδυνο πυρκαγιάς.

- b) **Χρησιμοποιείτε τα ηλεκτρικά εργαλεία πάντοτε με τα προβλεπόμενα για αυτά μπλοκ μπαταρίας.** Η χρήση διαφορετικών μπλοκ μπαταρίας μπορεί να οδηγήσει σε τραυματισμούς ή πυρκαγιά.
- c) **Διαφυλάγετε τις μπαταρίες που δε χρησιμοποιείτε μακριά από μεταλλικά αντικείμενα, π.χ. από συνδετήρες χαρτιών, νομίματα, κλειδιά, καρφιά, βίδες κι άλλα παρόμοια μικροαντικείμενα, τα οποία θα μπορούσαν να επιγεφυρώσουν τις διάφορες μεμονωμένες επαφές.** Μια επιγεφύρωση από μεταλλικά αντικείμενα μπορεί να προκαλέσει βραχυκύκλωμα, σπινθηρισμό ή πυρκαγιά.
- d) **Υπό δυσμενείς συνθήκες λειτουργίας μπορεί να διαρρέουν υγρά από την μπαταρία. Αποφεύγετε κάθε επαφή με μια μη στεγανή μπαταρία. Σε περίπτωση ακούσιας επαφής με τα υγρά, ξεπλύντε άπωψα με νερό την αντίστοιχη θψη επαφής. Εκτός από αυτό, αν τα υγρά διεισδύουν στα μάτια σας, επισκεφτείτε χωρίς καθυστέρηση πνα γιατρό.** Τα διαρρποντα υγρά των μπαταριών μπορεί να προκαλποουν ερεθισμούς ή και εγκαύματα.
- e) **Μη χρησιμοποιείτε καμία χαλασμένη ή τροποποιημένη μπαταρία ή ηλεκτρικό εργαλείο.** Οι χαλασμένες ή τροποποιημένες μπαταρίες μπορεί να παρουσιάσουν μια απρόβλεπτη συμπεριφορά και να οδηγήσουν σε φωτιά, έκρηξη ή σε κίνδυνο τραυματισμού.
- f) **Μην εκθέτετε μια μπαταρία ή ένα ηλεκτρικό εργαλείο σε φωτιά ή σε πολύ υψηλές θερμοκρασίες.** Η φωτιά ή οι θερμοκρασίες πάνω από 130°C μπορεί να προκαλέσουν μια έκρηξη.
- g) **Τηρείτε όλες τις υποδείξεις για τη φόρτιση και μη φορτίζετε την μπαταρία ή το εργαλείο μπαταρίας ποτέ εκτός της περιοχής θερμοκρασίας που αναφέρεται στις οδηγίες λειτουργίας.** Η λάθος φόρτιση ή η φόρτιση εκτός της επιτρεπτής περιοχής θερμοκρασίας μπορεί να καταστρέψει την μπαταρία και να αυξήσει τον κίνδυνο πυρκαγιάς.
- 6) **ΣΕΡΒΙΣ**
- a) **Δίνετε το ηλεκτρικό σας εργαλείο για επισκευή από άριστα ειδικευμένο προσωπικό, μόνο με γνήσια ανταλλακτικά.** Ετσι εξασφαλίζεται η διατήρηση της ασφάλειας του ηλεκτρικού εργαλείου.
- b) **Μη συντηρείτε ποτέ χαλασμένες μπαταρίες.** Κάθε συντήρηση των μπαταριών πρέπει να πραγματοποιείται μόνο από τον κατασκευαστή ή από εξουσιοδοτημένα συνεργεία σέρβις πελατών.

ΟΔΗΓΙΕΣ ΑΣΦΑΛΕΙΑΣ ΓΙΑ ΠΑΛΜΙΚΟ ΚΑΤΣΑΒΙΔΙ ΜΠΑΤΑΡΙΑΣ

- **Κρατήστε το ηλεκτρικό εργαλείο από τις μονωμένες επιφάνειες συγκράτησης, κατά την εκτέλεση εργασίας όπου το εξάρτημα στερέωσης μπορεί να έρθει σε επαφή με κρυμμένα καλώδια** (το κόψιμο ενός ηλεκτροφόρου καλωδίου ενδέχεται να κάνει ηλεκτροφόρα τα προσβάσιμα μεταλλικά μέρη και να προκληθεί ηλεκτροπληξία στον χειριστή)

ΓΕΝΙΚΑ

- Η σκόνη από υλικά όπως μολύβι που περιέχουν μόλυβδο, ορισμένα είδη ξύλου, ανόργανα στοιχεία και μέταλλα μπορεί να είναι επιβλαβής (η επαφή ή η εισπνοή της σκόνης μπορεί να προκαλέσει αλλεργικές

αντιδράσεις ή/και αναπνευστικές ασθένειες στον χειριστή ή σε άτομα που παρίστανται) - **να φοράτε προσωπίδα προστασίας από τη σκόνη και να εργάζεστε με συσκευή αφαίρεσης σκόνης όταν είναι δυνατό**

- Ορισμένα είδη σκόνης ταξινομούνται ως καρκινογόνα (όπως η σκόνη από τη δρυ ή την οξιά) ιδιαίτερα σε συνδυασμό με πρόσθετα συντήρησης ξύλου - **να φοράτε προσωπίδα προστασίας από τη σκόνη και να εργάζεστε με συσκευή αφαίρεσης σκόνης όταν είναι δυνατό**
- Ακολουθήστε τις σχετικές με σκόνη εθνικές διατάξεις για τα υλικά που θέλετε να εργαστείτε
- **Μην κατεργάζεστε υλικά που περιέχουν αμιάντο** (το αμιάντο θεωρείται σαν καρκινογόνο υλικό)
- Βεβαιωθείτε ότι ο διακόπτης B ② βρίσκεται στη μεσαία θέση (κλειδώμα), πριν διεξαγάτε κάποια εργασία ρύθμισης στο εργαλείο ή αλλάξετε εξάρτημα όπως και όταν μεταφέρετε ή αποθηκεύσετε το εργαλείο

ΕΞΑΡΤΗΜΑΤΑ

- Η SKIL εγγυάται την τέλεια λειτουργία του εργαλείου μόνο όταν χρησιμοποιούνται αυθεντικά εξαρτήματα
- Χρησιμοποιείτε μόνο εξαρτήματα των οποίων ο ύψιστος επιτρεπτός αριθμός στροφών είναι τουλάχιστον τόσο υψηλός, όσο ο ύψιστος αριθμός στροφών χωρίς φορτίο του εργαλείου

ΠΡΙΝ ΑΠΟ ΤΗ ΧΡΗΣΗ

- Προφυλάξτε το εργαλείο από τυχόν φθορές από ξένα σώματα (βίδες, καρφιά ή άλλα) που ίσως είναι μέσα στο κομμάτι που θα δουλέψετε - αφαιρέστε τα πριν αρχίσετε την εργασία
- **Στερώστε το κομμάτι εργασίας** (το κομμάτι εργασίας συγκρατείται καλύτερα με σφιγκτήρες ή σε μέγγνηπα παρά με το χέρι)
- **Χρησιμοποιήστε κατάλληλες ανιχνευτικές συσκευές για να εντοπίσετε τυχόν αφανείς τροφοδοτικές γραμμές ή συμβουλευτείτε σχετικά τις επιχειρήσεις παροχής ενέργειας** (επαφή με ηλεκτρικές γραμμές μπορεί να οδηγήσει σε πυρκαϊά ή σε ηλεκτροπληξία - βλάβες σε αγωγούς φωταερίου (γκαζιά) μπορεί να οδηγήσουν σε έκρηξη - η διείσδυση σ' ένα σωλήνα νερού προκαλεί υλικές ζημιές ή μπορεί να προκαλέσει ηλεκτροπληξία)

ΜΠΑΤΑΡΙΑΣ

- **Η παρεχόμενη μπαταρία είναι μερικώς φορτισμένη** (για να εξασφαλιστεί ότι η μπαταρία αποκτά τη μέγιστη χαμηλότερη, να φορτίζετε τελείως τη μπαταρία με τον φορτιστή της πριν από τη χρήση του ηλεκτρικού εργαλείου σας για πρώτη φορά)
- **Να χρησιμοποιείτε μόνο τις μπαταρίες και τους φορτιστές που παραδίδονται με το εργαλείο**
 - Μπαταρία SKIL: BR1*31****
 - Φορτιστής SKIL: CR1*31****
- Μη χρησιμοποιείτε την μπαταρία όταν έχει βλάβη - πρέπει να τη αλλάξετε αμέσως
- Μη συναρμολογείτε τη μπαταρία
- Μη εκθέτετε το εργαλείο/την μπαταρία στη βροχή
- Επιτρεπτή θερμοκρασία περιβάλλοντος (εργαλείο/φορτιστή/μπαταρία):
 - κατά τη φόρτιση 4...+40°C
 - κατά τη λειτουργία -20...+50°C
 - κατά τη αποθήκευση -20...+50°C

ΕΠΕΞΗΓΗΣΗ ΤΩΝ ΣΥΜΒΟΛΩΝ ΕΝΤΟΣ ΕΡΓΑΛΕΙΟ/ΜΠΑΤΑΡΙΑ

- ③ Διαβάστε το εγχειρίδιο οδηγιών πριν από τη χρήση

- ④ Οι μπαταρίες θα εκραγούν εάν γίνει απόρριψή τους σε φωτιά, γι' αυτό μην καίτε τις μπαταρίες για οποιοδήποτε λόγο
- ⑤ Να αποθηκευτεί το εργαλείο/τον φορτιστή/την μπαταρία σε μέρη όπου η θερμοκρασία δεν θα ξεπεράσει τους 50°C
- ⑥ Μην πετάτε τα ηλεκτρικά εργαλεία και μπαταρίες στον κάδο οικιακών απορριμμάτων

ΧΡΗΣΗ

- Συνδιασμένος διακόπτης για ξεκίνηση/ σταμάτημα και έλεγχο ταχύτητας A ②
 - ρυθμίστε την ταχύτητα από τον μηδέν στο μέγιστο, πιέζοντας περισσότερο ή λιγότερο τη σκανδάλη A⑭
- Φόρτιση της μπαταρίας
 - ! **διαβάστε τις προειδοποιήσεις ασφαλείας και τις οδηγίες που παρέχονται με το φορτιστή**
- Αφαίρεση/εγκατάσταση της μπαταρίας ②
- Προσάρτηση του κλιπ ζώνης ⑦
 - προσαρτήστε το κλιπ ζώνης G στο δράπανο με την παρεχόμενη βίδα.
- Ένδειξη κατάστασης μπαταρίας ⑧
 - πιέστε το κουμπί του ενδεικτικού κατάστασης μπαταρίας H για να εμφανίσετε την τρέχουσα κατάσταση της μπαταρίας.
- Αλλαγή της κατεύθυνσης περιστροφής ⑨
 - αν η διακόπτης A ② δεν είναι σωστά τοποθετημένη στη μία ή άλλη θέση δεν μπορεί να ενεργοποιηθεί
 - ! **αλλάξτε την κατεύθυνση περιστροφής μόνο όταν το εργαλείο είναι τελείως σταματημένο**
- Αλλαγή μύτων ⑩
 - για να αφαιρέσετε ένα τρυπάνι, τραβήξτε το κέλυφος μανδάλωσης C προς τα εμπρός ②
 - τραβήξτε το κέλυφος μανδάλωσης C προς τα εμπρός, εισαγάγετε το τρυπάνι μέχρι το στοπ στην υποδοχή τρυπανιού και απελευθερώστε το κέλυφος μανδάλωσης C για να ασφαλίσει το τρυπάνι. ⑩a ⑩b ⑩c
 - ! **να χρησιμοποιείτε μόνο μύτες με μπίλια στερέωσης, οι άλλες μύτες μπορούν να χρησιμοποιούνται με υποδοχή μύτης γενικού τύπου με μπίλια στερέωσης ⑩b**
 - ! **μη χρησιμοποιείτε μύτη με φθαρμένο στέλεχος**
- Προστασία της μπαταρίας
 - Απενεργοποιεί το εργαλείο ή εμποδίζει την ενεργοποίηση του εργαλείου, όταν
 - το φορτίο του μοτέρ είναι υπερβολικά υψηλό
 - η θερμοκρασία της μπαταρίας δεν βρίσκεται εντός του επιτρεπόμενου εύρους θερμοκρασίας λειτουργίας (-20 έως +50°C)
 - η μπαταρία λιθίου έχει σχεδόν αδειάσει (για την προστασία της έναντι βλάβης εκφόρτισης)
 - ! **μην συνεχίσετε να πατάτε το διακόπτη ενεργοποίησης/απενεργοποίησης μετά την αυτόματη απενεργοποίηση του εργαλείου - μπορεί να προκληθεί βλάβη στη μπαταρία**
- Λαμπάκι LED F ⑪
 - Η λυχνία LED F ανάβει αυτόματα κατά την ενεργοποίηση του διακόπτη A ①
- Πώς να κρατάτε και να οδηγείτε το εργαλείο ⑫
 - ! **ανώ εργάζεστε, να κρατάτε πάντα το εργαλείο ενώ τη/τις λαβή/ές με γκρι χρώμα**
 - κρατάτε τις σχισμές αερισμού E ② ακάλυπτες

- μην ασκείτε υπέρμετρη πίεση στο εργαλείο - αφήστε το εργαλείο να δουλέψει για σας

ΟΔΗΓΙΕΣ ΕΦΑΡΜΟΓΗΣ

- Χρησιμοποιείτε τη κατάλληλη μύτη ⑬
- Όταν έχετε να βιδώσετε μία βίδα στη γωνία ή σε άκρα ξύλου θα πρέπει πρώτα να τρυπήσετε με τρυπάνι για να αποφύγετε το "σκάσιμο" του ξύλου
- Για άριστη χρήση του εργαλείου σας απαιτείται σταθερή πίεση επάνω στη βίδα, ειδικά όταν αφαιρείτε βίδες
- Όταν βιδώνετε σε σκληρό ξύλο πρέπει πρώτα να έχετε κάνει μία ανάλογη τρύπα
- Για περισσότερες πληροφορίες επισκεφθείτε τη σελίδα www.skil.com

ΣΥΝΤΗΡΗΣΗ / ΣΕΡΒΙΣ

- Αυτό το εργαλείο δεν προορίζεται για επαγγελματική χρήση
- Πάντα να διατηρείτε το εργαλείο καθαρό (ειδικά τις σπές εξαερισμού E ②)
 - ! **αφαιρέστε την μπαταρία από το εργαλείο πριν από τον καθαρισμό**
- Αν παρ' όλες τις επιμελημένες μεθόδους κατασκευής κι ελέγχου το εργαλείο σταματήσει κάποτε να λειτουργεί, τότε η επισκευή του πρέπει να ανατεθεί σ' ένα εξουσιοδοτημένο συνεργείο για ηλεκτρικά εργαλεία της SKIL
 - στείλτε το εργαλείο **χωρίς να το αποσυναρμολογήσετε** μαζί με την απόδειξη αγοράς στο κατάστημα από το οποίο το αγοράσατε ή στον πλησιέστερο σταθμό τεχνικής εξυπηρέτησης της SKIL (θα βρείτε τις διευθύνσεις και το διάγραμμα συντήρησης του εργαλείου στην ιστοσελίδα www.skil.com)
- Να γνωρίζετε ότι βλάβες που προκαλούνται λόγω υπερφόρτωσης ή ακατάλληλου χειρισμού του εργαλείου, δεν καλύπτονται από την εγγύηση (για τους όρους της εγγύησης της SKIL επισκεφθείτε τη διεύθυνση www.skil.com ή απευθυνθείτε στον πλησιέστερο αντιπρόσωπο)

ΠΕΡΙΒΑΛΛΟΝ

- **Μην πετάτε τα ηλεκτρικά εργαλεία, μπαταρίες, εξαρτήματα και συσκευασία στον κάδο οικιακών απορριμμάτων** (μόνο για τις χώρες της ΕΕ)
 - σύμφωνα με την ευρωπαϊκή οδηγία 2012/19/EK περί ηλεκτρικών και ηλεκτρονικών συσκευών και την ενσωμάτωσή της στο εθνικό δίκαιο, τα ηλεκτρικά εργαλεία πρέπει να συλλέγονται ξεχωριστά και να επιστρέφονται για ανακύκλωση με τρόπο φιλικό προς το περιβάλλον
 - το σύμβολο ⑥ θα σας το θυμίσει αυτό όταν έλθει η ώρα να πετάξετε τις
 - ! **προτού πετάξετε τις μπαταρίες καλύψτε τις επαφές τους με μονωτική ταινία για να αποφύγετε τυχόν βραχυκυκλώματα**

ΘΟΡΥΒΟΣ / ΚΡΑΔΑΣΜΟΣ

- Βάσει της μέτρησης σύμφωνα με το πρότυπο EN 62841, η στάθμη ηχοπίεσης αυτού του εργαλείου είναι 94,5 dB(A) και η στάθμη ηχοπίεσης του 105,5 dB(A) (αβεβαιότητα K = 3 dB), και ο κραδασμός 14,5 m/s²

(τριαξονικό διανυσματικό άθροισμα, αβεβαιότητα $K = 1,5 \text{ m/s}^2$)

- Το επίπεδο παραγωγής κραδασμών έχει μετρηθεί σύμφωνα με μια τυποποιημένη δοκιμή που αναφέρεται στο πρότυπο EN 62841 - μπορεί να χρησιμοποιηθεί για τη σύγκριση ενός εργαλείου με ένα άλλο, καθώς και ως προκαταρκτική αξιολόγηση της έκθεσης στους κραδασμούς όταν το εργαλείο χρησιμοποιείται για τις εφαρμογές που αναφέρονται
 - η χρήση του εργαλείου για διαφορετικές εφαρμογές ή με διαφορετικά ή κακοσυντηρημένα εξαρτήματα μπορεί να **αυξήσει** σημαντικά το επίπεδο έκθεσης
 - όταν το εργαλείο είναι απενεργοποιημένο ή δουλεύει αλλά δεν εκτελεί την εργασία, το επίπεδο έκθεσης μπορεί να **μειωθεί** σημαντικά
- ! προστατευτείτε από τις επιδράσεις των κραδασμών συντηρώντας σωστά το εργαλείο και τα εξαρτήματά του, διατηρώντας τα χέρια σας ζεστά και οργανώνοντας τον τρόπο εργασίας σας**

RO

Șurubelniță cu impact cu acumulatori 3210

INTRODUCERE

- Acest instrument este destinat înșurubării și deșurubării șuruburilor și bolțurilor
- Această sculă nu este destinată utilizării profesionale
- Citiți și păstrați acest manual de instrucțiuni ③

DATE TEHNICE ①

Moment de torsiune maxim, înșurubare dură conform ISO 5393 : 140Nm

ELEMENTELE SCULEI ②

- A Întrerupător deschis/închis și controlul vitezei
- B Comutator pentru schimbarea direcției de rotație
- C Manșon de blocare
- D Indicator al direcției de rotație selectate
- E Fantele de ventilație
- F Lampă LED
- G Clemă pentru centură
- H Indicator nivel încărcare acumulator

SIGURANȚA

INSTRUCȚIUNI GENERALE DE SIGURANȚĂ PENTRU SCULE ELECTRICE

⚠ AVERTISMENT Citiți toate avertismentele, instrucțiunile, ilustrațiile și specificațiile furnizate împreună cu această sculă electrică. Neconformarea la instrucțiunile de mai jos poate produce șoc electric, incendiu și/sau răniri grave.

Păstrați toate avertizările și instrucțiunile în vederea consultării ulterioare.

Termenul de “sculă electrică” folosit în indicațiile de avertizare se referă la sculele electrice alimentate de la rețea

(cu cablu de alimentare) și la sculele electrice cu acumulator (fără cablu de alimentare).

1) SIGURANȚA LA LOCUL DE MUNCĂ

- Păstrați-vă locul de muncă curat și bine iluminat.** Dezordinea la locul de muncă sau existența unor sectoare de lucru neiluminate poate duce la accidente.
- Nu folosiți mașina în medii cu pericol de explozie, acolo unde există lichide, gaze sau pulberi inflamabile.** Sculele electrice pot produce scântei care să aprindă pulberile sau vaporii.
- Nu permiteți accesul copiilor și al altor persoane în timpul lucrului cu mașina.** Dacă vi se distrage atenția puteți pierde controlul asupra mașinii.

2) SECURITATE ELECTRICĂ

- Ștecherul de racordare a mașinii trebuie să se potrivească cu prize de alimentare. Nu este permisă în nici-un caz modificarea ștecherului. Nu folosiți adaptoare pentru ștechere la mașinile legate la pământ.** Ștecherele nemodificate și prizele de curent adecvate acestora reduc riscul de electrocutare.
 - Evitați contactul corporal cu suprafețe legate la pământ ca țevi, radiatoare, plite electrice și frigider.** Există un risc crescut de electrocutare atunci când corpul dv. este și el legat la pământ.
 - Nu lăsați mașina afară în ploaie sau în mediu umed.** Riscul de electrocutare crește atunci când într-o sculă electrică pătrunde apă.
 - Nu trageți niciodată mașina de cordonul de alimentare pentru a o transporta, a o atârna sau a scoate ștecherul din priza de curent. Feriți cordonul de alimentare de căldură, ulei, muchi și ascuțite sau de subansamble aflate în mișcare.** Un cordon de alimentare deteriorat sau înfășurat mărește riscul de electrocutare.
 - Atunci când lucrați cu scula electrică în aer liber, folosiți numai cordoane prelungitoare autorizate pentru exterior.** Întrebuințarea unui cordon prelungitor adecvat utilizării în aer liber reduce riscul de electrocutare.
 - Atunci când nu poate fi evitată utilizarea sculei electrice în mediu umed, folosiți un întrerupător de circuit cu împământare.** Folosirea unei întrerupător de circuit cu împământare reduce riscul de electrocutare.
- #### 3) SECURITATEA PERSOANELOR
- Fiți vigilenți, fiți atenți la ceea ce faceți și procedați rațional atunci când lucrați cu scula electrică. Nu folosiți mașina dacă sunteți oboșiți sau vă aflați sub influența drogurilor, alcoolului sau a medicamentelor.** Un moment de neatenție în timpul lucrului cu mașina poate duce la răniri grave.
 - Purtați echipament de protecție personală și întotdeauna ochelari de protecție.** Folosirea echipamentelor de protecție a persoanei ca mască de protecție împotriva prafului, încălțăminte antiderapantă, cască de protecție sau aparat de protecție auditivă, în funcție de tipul și domeniul de folosire al sculei electrice, reduce riscul răniilor.
 - Evitați o punere în funcțiune involuntară. Înainte de a introduce ștecherul în priză și/sau de a introduce acumulatorul în scula electrică, de a o ridica sau de a o transporta, asigurați vă că aceasta este oprită. Dacă atunci când transportați scula electrică țineți**

- degetul pe întrerupător sau dacă porniți scula electrică înainte de a o racorda la rețeaua de curent, puteți provoca accidente.
- d) **Înainte de a pune mașina în funcțiune scoateți afară cheile reglabile și fixe.** O cheie reglabilă sau fixă, aflată într-o componentă de mașină care se rotește, poate provoca răniri.
- e) **Nu vă supraapreciați. Asigurați-vă o poziție stabilă și păstrați-vă întotdeauna echilibrul.** Astfel veți putea controla mai bine mașina în situații neașteptate.
- f) **Purtați îmbrăcăminte de lucru adecvată. Nu purtați haine largi sau podoabe. Feriți părul și îmbrăcămintea de piesele aflate în mișcare.** Îmbrăcămintea largă, podoabele și părul lung pot fi prinse de piesele aflate în mișcare.
- g) **Dacă există posibilitatea montării de echipamente și instalații de aspirare și colectare a prafului, asigurați-vă că acestea sunt conectate și folosite corect.** Folosirea unei instalații de aspirare a prafului poate duce la reducerea poluării cu praf.
- h) **Nu vă lăsați amăgiți de ușurința în operare dobândită în urma folosirii frecvente a sculelor electrice și nu ignorați principiile de siguranță ale acestora.** Neglijența poate provoca, într-o fracțiune de secundă, vătămări corporale grave
- 4) **MANEVRAȚI ȘI FOLOȘIȚI CU GRIJĂ SCULELE ELECTRICE**
- a) **Nu suprasolicitați mașina. Folosiți scula electrică destinată executării lucrării dumneavoastră.** Cu scula electrică potrivită lucrați mai bine și mai sigur în domeniul de putere specificat.
- b) **Nu folosiți scula electrică dacă are întrerupătorul defect.** O sculă electrică, care nu mai poate fi pornită sau oprită este periculoasă și trebuie reparată.
- c) **Scoateți ștecherul afară din priză și/sau îndepărtați acumulatoru dacă este detașabil, înainte de a executa reglaje, a schimba accesoriul sau a depozita scula electrică.** Această măsură preventivă reduce riscul unei porniri involuntare a mașinii.
- d) **În caz de nefolosire păstrați mașinile la loc inaccesibil copiilor. Nu permiteți persoanelor care nu sunt familiarizate cu mașina sau care n-au citit prezentele instrucțiuni, să folosească mașina.** Sculele electrice sunt periculoase atunci când sunt folosite de persoane fără experiență.
- e) **Întrețineți sculele electrice și accesoriile acestora. Controlați dacă componentele mobile funcționează corect și dacă nu se blochează, dacă nu există piese defecte sau deteriorate, care să afecteze funcționarea mașinii. Înainte de a repune în funcțiune mașina, duceți-o la un atelier de asistență service pentru repararea sau înlocuirea pieselor deteriorate.** Multe accidente s-au datorat întreținerii defectuoase a sculelor electrice.
- f) **Păstrați accesoriile bine ascuțite și curate.** Accesoriile atent întreținute, cu muchii tăietoare bine ascuțite se blochează mai greu și pot fi conduse mai ușor.
- g) **Folosiți sculele electrice, accesoriile, dispozitivele de lucru etc. conform prezentelor instrucțiuni. Țineți seama de condițiile de lucru și de lucrarea care trebuie executată.** Întreținerea unor scule electrice destinate altor utilizări decât cele preconizate, poate

duce la situații periculoase.

- h) **Mentineți mânerul și zonele de prindere uscate, curate și ferii-le de ulei și uoarsă.** Mânerul și zonele de prindere alunecoase nu permit manevrarea și controlul sigur al sculei electrice în situații neașteptate.
- 5) **MANEVRAȚI ȘI FOLOȘIȚI CU GRIJĂ SCULELE ELECTRICE CU ACUMULATOR**
- a) **Folosiți pentru încărcarea acumulatorilor numai încărcătoarele recomandate de producător.** Dacă un încărcător destinat unui anumit tip de acumulator este folosit la încărcarea altor acumulatori există pericol de incendiu.
- b) **Folosiți la sculele electrice numai acumulatorii prevăzuți în acest scop.** Întreținutarea altor acumulatori decât cei specificați poate duce la răniri și pericol de incendii.
- c) **Feriți acumulatorii nefoliți de contactul cu agrafe de birou, monede, chei, cuie, șuruburi sau alte obiecte metalice mici, care pot produce o punte metalică între contactele acumulatorului.** Un scurtcircuit între polii de contact ai acumulatorului poate avea drept consecință arsuri sau incendii.
- d) **Ca urmare a folosirii necorespunzătoare, din acumulator se poate scurge lichid. Evitați contactul cu acesta. În caz de contact accidental, clătiți cu apă. Dacă lichidul vă intră în ochi, pe lângă măsurile aminite consultați și un medic.** Lichidul care se scurge din acumulator poate provoca iritarea pielii sau arsuri.
- e) **Nu folosiți un acumulator sau o sculă electrică cu acumulator deteriorat sau modificat.** Acumulatorii deteriorați sau modificați pot avea un comportament imprevizibil care să ducă la incendiu, explozie sau să genereze risc de vătămări corporale.
- f) **Nu expuneți acumulatorul sau scula electrică la foc sau temperaturi excesive.** Expunerea la foc sau temperaturi de peste 130°C poate duce la explozii.
- g) **Respectați toate instrucțiunile de încărcare și nu reîncărcați acumulatorul sau scula electrică cu acumulator la temperaturi situate în afara domeniului de temperaturi specificat în instrucțiuni.** Încărcarea incorectă sau la temperaturi situate în afara domeniului de temperaturi specificat ar putea cauza deteriorarea acumulatorului și mări riscul de incendiu.
- 6) **SERVICIU**
- a) **Permiteți repararea mașinii dumneavoastră numai de către un specialist calificat și numai cu piese de schimb originale.** În acest mod este garantată menținerea siguranței de exploatare a mașinii.
- b) **Nu întrețineți niciodată acumulatorii deteriorați.** Întreținerea acumulatorilor ar trebui efectuată numai de către producător sau de către furnizorii de service autorizați de acesta.

INSTRUCȚIUNI DE SIGURANȚĂ PENTRU ȘURUBELNIȚELE CU IMPACT CU ACUMULATORI

- **Țineți scula electrică de mânerul izolat atunci când executați operații în cursul cărora dispozitivul de fixare poate atinge fire electrice ascunse** (contactul cu un cablu aflat sub tensiune poate electrica componentele metalice ale sculei electrice, existând riscul unui șoc electric pentru operator)

GENERALITĂȚI

- Praful rezultat din materiale precum vopseala care conține plumb, unele specii de lemn, minerale și metale poate fi periculos (contactul cu praful sau inhalarea acestuia poate provoca reacții alergice și/sau afecțiuni respiratorii operatorului sau persoanelor care stau în apropiere); **purtați o mască de praf și lucrați cu un dispozitiv de extragere a prafului când poate fi conectat**
- Anumite tipuri de praf sunt clasificate ca fiind cancerigene (cum ar fi praful de stejar și fag) în special în combinație cu aditivi pentru tratarea lemnului; **purtați o mască de praf și lucrați cu un dispozitiv de extragere a prafului când poate fi conectat**
- Respectați reglementările naționale referitoare la aspirația prafului în funcție de materialele de lucru folosite
- **Nu prelucrați materiale care conțin azbest** (azbestul este considerat a fi cancerigen)
- Asigurați-vă că comutator B ② este în poziția din mijloc (poziția de blocaj) înainte de a executa reglaje ale sculei electrice sau de a înlocui accesoriile precum și în cazul de transport sau depozitare a sculei electrice

ACCESORII

- SKIL garantează funcționarea perfectă a aparatului numai dacă sunt folosite accesoriile originale
- Folosiți numai accesoriile a căror turație admisă este cel puțin egală cu turația maximă la mers în gol a aparatului

ÎNAINTEA UTILIZĂRII

- Evitați daunele provocate de șuruburi, țiște și alte elemente din timpul lucrului; înlăturați aceste elemente înainte de a trece la acțiune
- **Securizați piesa de lucru** (o piesă de lucru fixată cu clame sau într-o menhină este ținută mult mai în siguranță decât manual)
- **Folosiți detectoare adecvate pentru depistarea conductelor și conductorilor de alimentare sau apelați în acest scop la întreprinderea locală de furnizare a utilităților** (contactul cu conductorii electrici poate provoca incendii sau electrocutare; deteriorarea unei conducte de gaz poate duce la explozii; spargerea unei conducte de apă provoacă pagube materiale sau poate provoca electrocutare)

BATERIILOR

- **Bateria furnizată este parțial încărcată** (pentru a asigura o capacitate maximă a bateriei, încărcați-o complet utilizând încărcătorul acesteia înainte de a utiliza scula electrică pentru prima dată)
- **Utilizați numai următoarele baterii și încărcătoare cu această sculă**
 - Baterie SKIL: BR1*31****
 - Încărcător SKIL: CR1*31****
- Nu folosiți bateria dacă aceasta este avariată; ea trebuie înlocuită imediat
- Nu dezambalati bateria
- Nu expuneți scula/bateria la ploaie
- Temperatură ambientă admisă (instrument/încărcător/acumulator):
 - în timpul încărcării 4...40°C
 - în timpul funcționării -20...+50°C
 - în timpul depozitării -20...+50°C

EXPLICAȚIA SIMBOLURILOR DE PE INSTRUMENT/ BATERIE

③ Citiți manual de instrucțiuni înainte de utilizare

④ Bateriile vor exploda când sunt aruncate în foc, deci nu

ardeți bateriile sub niciun motiv

- ⑤ Păstrați instrumentul/încărcătorul/bateria la temperaturi cuprinse între 50°C și 0°C
- ⑥ Nu aruncați sculele electrice și bateriile direct la pubelele de gunoi

UTILIZAREA

- Întrerupător combinat pentru conectare/deconectare și dirijarea vitezei A ②
 - dirijați viteza de la 0 la maximum prin apăsare mai puternică sau mai slabă a butonului de pornire A④
- Încărcarea bateriei
 - ! **citiți avertismentele de siguranță și instrucțiunile care au fost furnizate împreună cu încărcătorul**
- Scoaterea/instalarea bateriilor ②
- Atașarea clemei pentru centură ⑦
 - atașați clema pentru centură G la burghiu utilizând șurubul furnizat.
- Indicator nivel încărcare acumulator ⑧
 - apăsați butonul care indică nivelul de încărcare a acumulatorului H pentru a afișa nivelul de încărcare actual al bateriei.
- Schimbarea direcției de rotație ⑨
 - dacă pârghia nu se așază în poziția corectă stânga/dreapta, Întrerupător A ② nu va putea fi acționat
 - ! **schimbați direcția de rotație abia atunci când aparatul este complet oprit**
- Înlouirea biți ⑩
 - pentru a scoate un burghiu, trageți manșonul de blocare C în față ②
 - trageți manșonul de blocare C în față, introduceți burghiu în suportul său până la opritor și eliberați manșonul de blocare C pentru a bloca burghiu. ⑩a ⑩b ⑩c
 - ! **utilizați doar burghie pentru prindere cu bile, alte burghie putând fi utilizate cu un suport universal pentru burghie pentru prindere cu bile ⑩b**
 - ! **nu folosiți biți cu coadă deteriorată**
- Protecția bateriei
 - Oprește instrumentul sau previne pornirea a instrumentul, atunci când
 - sarcina este prea mare
 - temperatura bateriei nu se încadrează în intervalul de temperaturi de operare admisibile, cuprins între -20 și +50°C
 - bateria cu ioni de litiu este aproape descărcată (pentru protecție împotriva descărcării complete)
 - ! **nu continuați să apăsați comutatorul pornit/oprit după oprirea automată a mașinii; în caz contrar, bateria poate fi deteriorată**
- Lampă LED F ⑪
 - Lampa LED F se aprinde automat la activarea comutatorului A ①
- Mănuirea și dirijarea sculei ⑫
 - ! **în timp ce lucrați, țineți întotdeauna scula de zonă (zonele) de prindere colorate gri**
 - mențineți fantele de ventilație E ② neacoperite
 - nu exercitați prea multă presiune asupra sculei; lăsați scula să funcționeze

СФАТУРЕН ПЕНТРУ УТИЛИЗАРЕ

- Фолосиџи биџи **juste** (15)
- Атунци кџнд дорџи сџ са сучиџи ун шуруб ла марџинеа, колџул, капџтул лемнулџи, се рекомандџ са фачеџи о гaurџу ку инструментул де гџурџит пентру а evita срџпarea лемнулџи
- Пентру о утилизаре оптималџа а инструментулџи есте несарџа ехерцитarea унеџи преџиуни константе асупра шурубулџи, џн специал ла schimbare
- Ён cazul џншурубџрии џнтр-ун лемн tare се рекомандџ ефетуарea џн преалабил а унеџи гџури
- Пентру май multe информатџии, consultaџи www.skil.com

ЁНТРЕЎИРЕ / SERVICE

- Aceastџа sculџа џн este destinatџа утилизџрии професионале
- Пџстраџи џнтодеауна апаратул курат (май ales fantele де ventilatџие E (2))
! scoateџи батерия дин scula електрицџа џnainte де курџџारे
- Дacџа џн ciuda procedeeelor де fabricaџие џи control riguroase scula are totuџи о панџа, repararea acesteia се ва face numai ла аn atelier де асистенџа service autorizat пентру scule електриче SKIL
- trimeteџи scula **џн totalitatea lui** cu bonul де cumpџrare ла дистрибуиторул sau ла centrul де service SKIL cel mai apropiat (adrese џи diagrame де service се гџсеасц ла www.skil.com)
- Trebuie сџа fiџи conџtienџи де faptul cџа deteriorarea datoratџа suprasarcinii sau утилизџрии џncorecte а sculei vor fi excluse дин гаранџие (пентру condiџiile де гаранџие SKIL consultaџи www.skil.com sau џнтребаџи дистрибуиторул)

MEDIUL

- **Nu aruncaџи sculele електриче, батерияле, accesoriile sau ambalajele direct ла пубелеле де gunoi** (numai пентру џџările дин Comunitatea Europeanџа)
- Directiva Europeanџа 2012/19/EC face referire ла modul де aruncare а echipamentelor електриче џи electronice џи modul де aplicare а normelor џн conformitate cu legislaџia наџionalџа; sculele електриче џн momentul џн care au atins un grad avansat де uzurџа џи trebuie сцс aruncate, ele trebuie сцс colectate separat џи reciclate џнтр-ун mod ce respectџа normele де protecџие а mediului џnconjurџtor
- simbolul (6) vџа ва reaminti acest lucru
! џnainte арuncare protejaџи terminalele батерии де scula пентру а preџintџmpina scurtcircuitul

ZGOMOT / VIBRAџII

- Mџsurate џн conformitate cu EN 62841, nivelul де presiune sonorџа а acestui instrument este 94,5 dB(A) џи nivelul де zgomot 105,5 dB(A) (incertitudinea K = 3 dB) џи vibraџia 14,5 m/s² (suma vectorialџа triaxialџа; incertitudinea K = 1,5 m/s²)
- Nivelul emisiilor де vibraџии а fost mџsurat џн conformitate cu un test standardizat precizat џн EN 62841; poate fi folosit пентру а compara о sculџа cu alta џи ca evaluare preliminarџа а expunerii ла vibraџии атунци кџнд фолосиџи scula пентру aplicaџииле менџionate
- utilizarea sculei пентру aplicaџии diferite sau cu accesorii diferite џи prost џнтреџинуте poate **creџte** semnificativ nivelul де expunere

- momentele џн care scula este opritџа sau кџнд funcџioneazџа dar nu executџа nicio lucrare, pot **reduce** semnificativ nivelul де expunere
! protejaџи-vџа џмпotriva efectelor vibraџииilor prin џнтреџинerea sculei џи а accesoriilor sale, pџstrџnd mџinile calde џи organizџnd procesele де lucru

BG

Акумулаторен ударен гайковерт

3210

УВОД

- Този инструмент е предназначен за завинтване и разхлабване на винтове и болтове
- Този инструмент не е предназначен за професионална употреба
- Прочетете и пазете това ръководство за работа (3)

ТЕХНИЧЕСКИ ДАНИ (1)

Макс. въртящ момент при твърди винтови съединения по ISO 5393 : 140Nm

ЕЛЕМЕНТИ НА ИНСТРУМЕНТА (2)

- A** Спусък за включване/изключване и регулиране на скоростта
- B** Превключвател за обръщане на посоката на въртене
- C** Затягаща втулка
- D** Индикатор за избраната посока на въртене
- E** Вентилационните отвори
- F** Светодиодна светлина
- G** Щипка за колан
- H** Индикатор за капацитета на батерията

БЕЗОПАСНОСТ

ОБЩИ УКАЗАНИЯ ЗА БЕЗОПАСНА РАБОТА С ЕЛЕКТРОИНСТРУМЕНТИ

⚠ ПРЕДУПРЕЖДЕНИЕ Прочете всички предупреждения за безопасност, инструкции, илюстрации и спецификации, доставени с този електроинструмент. Неспазването на всички описани по-долу инструкции може да доведе до токов удар, пожар и/или тежко нараняване.

Запазете всички предупреждения и указания за ползване в бъдеще.

Използваният по-долу термин "електроинструмент" се отнася до захранвани от електрическата мрежа електроинструменти (със захранващ кабел) и до захранвани от акумулаторна батерия електроинструменти (без захранващ кабел).

1) БЕЗОПАСНОСТ НА РАБОТНОТО МЯСТО

- a) **Поддържайте работното си място чисто и подредено.** Безпорядъкът или недостатъчното осветление могат да спомогнат за възникването на трудова злополука.

- b) **Не работете с електроинструмента в среда с повишена опасност от възникване на експлозия, в близост до леснозапалими течности, газове или прахообразни материали.** По време на работа в електроинструментите се отделят искри, които могат да възпламят прахообразни материали или пари.
- c) **Дръжте деца и странични лица на безопасно разстояние, докато работите с електроинструмента.** Ако вниманието Ви бъде отклонено, може да загубите контрола над електроинструмента.
- 2) БЕЗОПАСНОСТ ПРИ РАБОТА С ЕЛЕКТРИЧЕСКИ ТОН**
- a) **Щепселът на електроинструмента трябва да е подходящ за ползвания контакт. В никакъв случай не се допуска изменение на конструкцията на щепсела. Когато работите със занулени електроуреди, не използвайте адаптери за щепсела.** Ползването на оригинални щепсели и контакти намалява риска от възникване на токов удар.
- b) **Избягвайте допира на тялото Ви до заземени тела, напр. тръби, отоплителни уреди, пещи и хладилници.** Когато тялото Ви е заземено, рискът от възникване на токов удар е по-голям.
- c) **Предпазвайте електроинструмента си от дъжд и влага.** Проникването на вода в електроинструмента повишава опасността от токов удар.
- d) **Не използвайте захранващ кабел за цели, за които той не е предвиден, напр. за да носите електроинструмента за кабела или да извадите щепсела от контакта. Предпазвайте кабела от нагриване, омасляване, допир до остри ръбове или до подвижни звена на машини.** Повредени или усукани кабели увеличават риска от възникване на токов удар.
- e) **Когато работите с електроинструмент навън, използвайте само удължителни кабели, предназначени за работа на открито.** Използването на удължител, предназначен за работа на открито, намалява риска от възникване на токов удар.
- f) **Ако се налага използването на електроинструмента във влажна среда, използвайте предпазен прекъсвач за утечни токове.** Използването на предпазен прекъсвач за утечни токове намалява опасността от възникване на токов удар.
- 3) БЕЗОПАСЕН НАЧИН НА РАБОТА**
- a) **Бъдете концентрирани, следете внимателно действията си и постъпвайте предпазливо и разумно. Не използвайте електроинструмента, когато сте уморени или под влиянието на наркотични вещества, алкохол или упойващи лекарства.** Един миг разсеяност при работа с електроинструмент може да има за последствие изключително тежки наранявания.
- b) **Работете с предпазващо работно облекло и винаги с предпазни очила.** Носенето на подходящи за ползвания електроинструмент и извършваната дейност лични предпазни средства, като дихателна маска, здрави плътнотазворени обувки със стабилен
- грайфер, защитна каска или шумозаглушители (антифони), намалява риска от възникване на трудова злополука.
- c) **Избягвайте опасността от включване на електроинструмента по невнимание. Преди да включите щепсела в захранващата мрежа или да поставите акумулаторната батерия, се уверявайте, че пусковият прекъсвач е в положение изключено.** Ако, когато носите електроинструмента, държите пръста си върху пусковия прекъсвач, или ако подавате захранващо напрежение на електроинструмента, когато е включен, съществува опасност от възникване на трудова злополука.
- d) **Преди да включите електроинструмента, се уверявайте, че сте отстранили от него всички помощни инструменти и гаечни ключове.** Мощен инструмент, забравен на въртящо се звено, може да причини травми.
- e) **Не надценявайте възможностите си. Работете в стабилно положение на тялото и във всеки момент поддържайте равновесие.** Така ще можете да контролирате електроинструмента по-добре и по-безопасно, ако възникне неочаквана ситуация.
- f) **Работете с подходящо облекло. Не работете с широки дрехи или украшения. Дръжте косата и дрехите си на безопасно разстояние от движещи се звена.** Широките дрехи, украшенията, дългите коси могат да бъдат захванати и увлечени от въртящи се звена.
- g) **Ако е възможно използването на външна аспирационна система, се уверявайте, че тя е включена и функционира изправно.** Използването на аспирационна система намалява рисковете, дължащи се на отделящата се при работа прах.
- h) **Доброто познаване на електроинструмента вследствие на честа работа с него не е повод за намаляване на вниманието и пренебрегване на мерките за безопасност.** Едно невнимателно действие може да предизвика тежки наранявания само за части от секундата.
- 4) ВНИМАТЕЛНО ОТНОШЕНИЕ НЪМ ЕЛЕКТРОИНСТРУМЕНТИ**
- a) **Не претоварвайте електроинструмента. Използвайте електроинструментите само съобразно тяхното предназначение.** Ще работите по-добре и по-безопасно, когато използвате подходящия електроинструмент в зададения от производителя диапазон на натоварване.
- b) **Не използвайте електроинструмент, чиито пусков прекъсвач е повреден.** Електроинструмент, който не може да бъде изключван и включван по предвидения от производителя начин, е опасен и трябва да бъде ремонтиран.
- c) **Преди да извършвате навкито и да е дейности по електроинструмента, напр. настройване, смяна на работен инструмент, канто и когато го прибирате, изключвайте щепсела от контакта, респ. изваждайте батерията, ако е възможно.** Тази мярка премахва опасността от задействане на електроинструмента по невниматие.
- d) **Съхранявайте електроинструментите на места,**

ндето не могат да бъдат достигнати от деца. Не допускайте те да бъдат използвани от лица, които не са запознати с начина на работа с тях и не са прочели тези инструкции. Когато са в ръцете на неопитни потребители, електроинструментите могат да бъдат изключително опасни.

- e) **Поддържайте добре електроинструментите си и аксесоарите им.** Провервайте дали подвижните звена функционират безукорно, дали не заклинват, дали има счупени или повредени детайли, които нарушават или изменят функциите на електроинструмента. Преди да използвате електроинструмента, се погрижете повредените детайли да бъдат ремонтирани. Много от трудовете злополуки се дължат на недобре поддържани електроинструменти и уреди.
- f) **Поддържайте режещите инструменти винаги добре заточени и чисти.** Добре поддържаните режещи инструменти с остри ръбове оказват по-малко съпротивление и се водят по-леко.
- g) **Използвайте електроинструментите, допълнителните приспособления, работните инструменти и т.н., съобразно инструкциите на производителя. С дейности и процедури, евентуално предписани от различни нормативни документи.** Използването на електроинструменти за различни от предвидените от производителя приложения повишава опасността от възникване на трудови злополуки.
- h) **Поддържайте дръжките и ръкохватките сухи, чисти и неомаслени.** Хлъзгавите дръжки и ръкохватки не позволяват безопасната работа и доброто контролиране на електроинструмента при възникване на неочаквана ситуация.
- 5) **ВНИМАТЕЛНО ОТНОШЕНИЕ КЪМ АКУМУЛАТОРНИ ЕЛЕКТРОИНСТРУМЕНТИ**
- a) **За зареждането на акумулаторните батерии използвайте само зарядните устройства, препоръчвани от производителя.** Когато използвате зарядни устройства за зареждане на неподходящи акумулаторни батерии, съществува опасност от възникване на пожар.
- b) **За хранване на електроинструментите използвайте само предвидените за съответния модел акумулаторни батерии.** Използването на различни акумулаторни батерии може да предизвика трудово злополука и/или пожар.
- c) **Предпазвайте неизползваните акумулаторни батерии от контакт с големи или малки метални предмети, напр. кламери, монети, ключове, пирони, винтове и др.п., тъй като те могат да предизвикат късо съединение.** Последствията от късото съединение могат да бъдат изгаряния или пожар.
- d) **При неправилно използване на акумулаторна батерия от нея може да изтече електролит. Избягвайте контакта с него. Ако въпреки това на кожата Ви попадне електролит, изпланнете мястото обилно с вода. Ако електролит попадне в очите Ви, незабавно се обърнете за помощ към очен лекар.** Електролитът може да предизвика изгаряния на кожата.
- e) **Не използвайте акумулаторна батерия или**

електроинструмент, които са повредени или с изменена конструкция. Повредени или изменени акумулаторни батерии могат да се възпламенят, експлодират или да предизвикат наранявания.

- f) **Не излагайте акумулаторната батерия на високи температури или огън.** Излагането на огън или температури над 130°C могат да предизвикат експлозии.
- g) **Спазвайте всички указания за зареждане на акумулаторната батерия; не я зареждайте, ако температурата ѝ е извън диапазона, посочен в инструкциите.** Неправилното зареждане или зареждането при температури извън допустимия диапазон могат да увредят батерията и увеличават опасността от пожар.
- 6) **ПОДДЪРЖАНЕ**
- a) **Допускайте ремонтът на електроинструментите Ви да се извършва само от квалифицирани специалисти и само с използването на оригинални резервни части.** По този начин се гарантира съхраняване на безопасността на електроинструмента.
- b) **Никога не ремонтирайте повредени акумулаторни батерии.** Ремонтът на акумулаторни батерии трябва да се извършва само от производителя или от оторизиран сервиз.

ИНСТРУКЦИИ ЗА БЕЗОПАСНОСТ ЗА АКУМУЛАТОРНИ УДАРНИ ГАЙКОВЕРТИ

- **Дръжте електроинструмента за изолирани захващащи повърхности при изпълняване на операция, при която скрепителният елемент може да влезе в контакт със скрито онабеляване** (скрепителни елементи в контакт с „жив“ електрически проводник могат да направят изложените метални части на електроинструмента „живи“ и да причинят електрически шок у оператора)

ОБЩИ

- Прахът от някои материали, като например съдържача олово боя, някои видове дървесина, минерали и метали може да бъде вреден (контакт или вдихване на такъв прах могат да причинят алергични реакции и/или респираторни заболявания на оператора или стоящите наблизо лица); **използвайте противпрахова масна и работете с аспириращо прахта устройство, когато такова може да бъде свързано**
- Определени видове прах са класифицирани като карциногенни (като прах от дъб и бук) особено когато са комбинирани с добавки за подобряване на състоянието на дървесината; **използвайте противпрахова масна и работете с аспириращо прахта устройство, когато такова може да бъде свързано**
- Следвайте дефинираните по БДС изисквания относно запрашеността за материалите, които желаете да обработвате
- **Не обработвайте азбестосъдържащ материал** (азбестът е канцерогенен)
- Убедете се че ключа В ② е в средно (блокирано) положение, преди да направите каквито и да реглажи или смени на консумативите или когато транспортирате или прибирате инструмента

АНЕСОАРИ

- SKIL може да осигури безаварийна работа на електроинструмента само ако се използват оригинални допълнителни приспособления
- Използвайте само принадлежности, чиято допустима скорост на въртене е по-голяма или равна на максималната скорост на въртене на празен ход на електроинструмента

ПРЕДИ УПОТРЕБА

- Избягвайте повреди, които могат да бъдат причинени от винтове, гвоздеи и други метални елементи в обработвания детайл; отстранете ги преди да започнете работата
- **Обезопасете работния материал** (материал, затегнат в затягащ инструмент или в менгема е по-устойчив, отколкото ако се държи в ръка)
- **За да откриете скрити под повърхността електро-, водо- и газопроводи, използвайте подходящи уреди или се обърнете към местното снабдително дружество** (прекъсването на електропроводници под напрежение може да предизвика пожар и/или токов удар; увреждането на газопровод може да предизвика експлозия; засягането на водопровод може да предизвика значителни материални щети и/или токов удар)

БАТЕРИИ

- **Идващата в комплекта батерия е частично заредена** (за да осигурите пълен капацитет на батерията, заредете напълно батерията в зарядно устройство за батерия, преди да използвате вашия електроинструмент за първи път)
- **Използвайте само следните батерии и зарядни устройства с този инструмент**
 - SKIL батерия: BR1*31****
 - SKIL зарядно устройство: CR1*31****
- Не използвайте неизправна батерия; незабавно я заменете
- Не разглобявайте батерията
- Не излагайте на дъжд инструмента/батерията
- Допустима околна температура (инструмент/зарядното устройство/батерия):
 - при зареждане 4...40°C
 - по време на работа -20...+50°C
 - при съхраняване -20...+50°C

ОБЯСНЕНИЕ НА СИМВОЛИТЕ ПО ИНСТРУМЕНТА/ АКУМУЛАТОРНАТА БАТЕРИЯ

- ③ Преди употреба прочетете ръководството с указания
- ④ Хвърлен в огън, акумулаторът ще експлодира, така че не изгаряйте акумулатора по каквато и да е причина
- ⑤ Съхранявайте инструмента/зарядното устройство/батерията в помещения при температури, не по-високи от 50°C
- ⑥ Не изхвърляйте електроуредите и батерии заедно с битови отпадъци

УПОТРЕБА

- Комбиниран бутон за вклрчване/изклрчване и управление на скоростта A ②
 - управлението на скоростта от нула до максималната стойност се извършва като натискате прекъсвача A14 по-силно или по-слабо
- Зареждане на акумулатора
 - ! прочетете предупрежденията и инструкциите

за безопасност, доставени със зарядното устройство

- Изваждане/поставяне на батерията ②
- Закрепване на щипка за колан ⑦
 - закрепете щипката за колан G към свредлото с индвация в комплекта винт.
- Индикатор за капацитета на батерията ⑧
 - натиснете бутона за индикатор на нивото на заряд на батерията H за показване на текущото ниво на заряд на батерията.
- Обръщане на посоката на въртене ⑨
 - ако лостът не е точно в положение включване/изключване, спусъкът A ② не може да бъде активиран
- ! **обръщайте посоката на въртене само когато електроинструментът е напълно спрял**
- Смяна на бит ⑩
 - за да свалите бургия, дръпнете фиксиращата втулка C напред ②
 - дръпнете фиксиращата втулка C напред, поставете бургията до края в държача за бургии и освободете фиксиращата втулка C, за да заключите бургията. ⑩a ⑩b ⑩c

! **използвайте само бургии със запънка със сачма и пружина, други бургии могат да бъдат използвани с универсален държач за бургии със запънка със сачма и пружина ⑩b**

! **не използвайте бит с повредена опашка**

- Защита на батерията
 - Изключва инструмента или не позволява включване на инструмента, когато
 - натоварването е прекалено голямо
 - температурата на батерията е извън допустимия работен температурен диапазон от -20 до +50°C
 - литиево-йонната батерия е почти изтощена (за защита срещу дълбок разряд)
- ! **след автоматичното изключване на инструмента не продължавайте да натискате спусъка, понеже може да се повреди акумулаторът**
- Светодиодна светлина F ⑪
 - Светодиодната лампа F автоматично светва, когато се активира превключвателят A ⑪
- Държане и насочване на инструмента ⑫
 - ! **по време на работа, винаги дръжте уреда за оцветената(ите) в сиво зона(и) за хващане**
 - оставяйте вентилационните отвори E ② непокрити
 - не прилагайте твърде голям натиск върху инструмента; нека той да свърши работата вместо вас

УКАЗАНИЯ ЗА РАБОТА

- Използвайте подходящи бит ⑬
- При завиване на винт в близост до ръба на дървен детайл първо пробийте отвор, за да избегнете откъртване на дървото
- За оптимална работа на електроинструмента е необходим достатъчен натиск върху винта, включително при развиване
- При завиване на винтове в твърдо дърво първо пробийте отвор
- За повече информация вижте www.skil.com

ПОДДРЪЖКА / СЕРВИЗ

- Този инструмент не е предназначен за професионална употреба
- Винаги поддържайте инструмента чист (особено вентилационните отвори E ②)
! извадете батерията от инструмента преди почистване
- Ако въпреки прецизното производство и внимателно изпитване възникне повреда, инструмента да се занесе за ремонт в оторизиран сервиз за електроинструменти на SKIL
- занесете инструмента в **неразглобен вид** заедно с доказателство за покупката му в търговския обект, откъдето сте го закупили, или в най-близкия сервиз на SKIL (адресите, както и схемата за сервизно обслужване на електроинструмента, можете да намерите на адрес www.skil.com)
- Имайте предвид, че повреда поради претоварване или неправилно манипулиране с инструмента ще бъдат изключени от гаранцията (за условията на гаранцията от SKIL виж на интернет адрес: www.skil.com или попитайте вашия дилър)

ОПАЗВАНЕ НА ОКОЛНАТА СРЕДА

- **Не изхвърляйте електроуредите, батерии, приспособленията и опаковките заедно с битови отпадъци** (само за страни от ЕС)
- съобразно Директивата на ЕС 2012/19/EG относно износени електрически и електронни уреди и отразяването ѝ в националното законодателство износените електроуреди следва да се събират отделно и да се предават за рециклиране според изискванията за опазване на околната среда
- за това указва символът ⑥ тогава когато трябва да бъдат унищожени
- ! преди да изхвърлите батерията, защитете изводите ѝ с дебела лепенка, за да няма опасност от възникване на късо съединение**

ШУМ / ВИБРАЦИИ

- Измерено в съответствие с EN 62841, нивото на звуковото налягане на този инструмент е 94,5 dB(A), а нивото на звуковата мощност 105,5 dB(A) (неопределеност K = 3 dB), и вибрацията 14,5 m/s² (триаксиална векторна сума; неопределеност K = 1,5 m/s²)
- Нивото на предадените вибрации е измерено в съответствие със стандартизиран тест, определен в EN 62841; то може да се използва за сравнение на един инструмент с друг и като предварителна оценка на подлагането на вибрации при използването на инструмента за посочените приложения
- използването на инструмента за различни от тези приложения или с други, или лошо поддържани аксесоари може значително **да повиши** нивото на което сте подложени
- периодите от време, когато инструмента е изключен или съответно включен, но с него не се работи в момента могат значително **да намалят** нивото на което сте подложени
- ! предпазвайте се от ефектите от вибрациите, като поддържате инструмента и аксесоарите му, пазите ръцете си топли и организирате вашите модели на работа**

SK

Аккумуляторový rázový skrutkovač

3210

ÚVOD

- Tento nástroj je určený na uťahovanie a uvoľňovanie skrutiek
- Tento nástroj nie je vhodný pre profesionálne použitie
- Prečítajte a uschovajte tento návod na použitie ③

TECHNICKÉ ÚDAJE ①

Max. krútiaci moment tvrdé ukončenie skrutkovania podľa ISO 5393 : 140Nm

ČASTI NÁSTROJA ②

- A Prepínač zapnúť/vypnúť a regulácia rýchlosti
- B Prepínač na zmenu smeru otáčania
- C Zamykacia objímka
- D Indikátor zvoleného smeru otáčania
- E Vetracie štrbiny
- F LED-Kontrolka
- G Spona na opasok
- H Indikátor nabitia akumulátora

BEZPEČNOSŤ

VŠEOBECNÉ BEZPEČNOSTNÉ UPOZORNENIA TYKAJÚCE SA ELEKTRICKÉHO NÁRADIA

⚠ VÝSTRAHA Prečítajte si všetky bezpečnostné výstrahy, pokyny, ilustrácie a technické údaje, ktoré sú dodané s týmto elektrickým nástrojom. Nedodržanie všetkých nižšie uvedených pokynov môže viesť k poraneniu elektrickým prúdom, požiaru a/alebo vážnemu poraneniu.

Všetky upozornenia a pokyny si odložte na ďalšie použitie.

Pojem „elektrické náradie“ používaný v nasledujúcom texte sa vzťahuje na ručné elektrické náradie napájané zo siete (s prírodnou šnúrou) a na ručné elektrické náradie napájané akumulátorovou batériou (bez prírodnej šnúry).

1) BEZPEČNOSŤ NA PRACOVISKU

- Udržujte svoje pracovisko čisté a upratané.** Neporiadok na pracovisku alebo neosvetlené časti pracoviska môžu viesť k úrazom.
 - Nepracujte elektrickým náradím v prostredí ohrozenom výbuchom, v ktorom sa nachádzajú horľavé kvapaliny, plyny alebo prach.** Elektrické náradie produkuje iskry, ktoré môžu prach alebo pary zapáliť.
 - Deťi a iné osoby udržiavajte počas práce od ručného elektrického náradia v dostatočnej vzdialenosti.** V prípade odpútania Vašej pozornosti by ste mohli stratiť kontrolu nad náradím.
- #### 2) ELEKTRICKÁ BEZPEČNOSŤ
- Zástrčka prírodnej šnúry sa musí hodiť do napájacej zásuvky. Zástrčka sa v žiadnom prípade nesmie meniť. Pri uzemnených spotrebičoch**

nepoužívajte spolu s nimi žiadne adaptéry.

Nezmenená zástrčka a vhodná zásuvka znižujú riziko zásahu elektrickým prúdom.

- b) **Vyhýbajte sa telesnému kontaktu s povrchovými plochami uzemnených spotrebičov, ako sú elektrické rúry, vyhrievacie telesá, sporáky a chladničky.** Keď je Vaše telo uzemnené, riziko zásahu elektrickým prúdom je vyššie.
 - c) **Chráňte ručné elektrické náradie pred dažďom a vlhkom.** Vniknutie vody do ručného elektrického náradia zvyšuje riziko zásahu elektrickým prúdom.
 - d) **Nepoužívajte prírodnú šnúru na prenášanie náradia, na jeho vešanie, ani za ňu nevyťahujte zástrčku zo zásuvky.** Prírodnú šnúru chráňte pred horúcou, olejom, ostrými hranami alebo pohybujúcimi sa časťami náradia. Poškodené alebo zauzlené šnúry zvyšujú riziko zásahu elektrickým prúdom.
 - e) **Ak pracujete s ručným elektrickým náradím vonku, používajte len také predlžovacie šnúry, ktoré sú schválené pre používanie vo vonkajších priestoroch.** Použitie predlžovacej šnúry určenej do vonkajšieho prostredia znižuje riziko zásahu elektrickým prúdom.
 - f) **Ak sa nedá vyhnúť použitiu ručného elektrického náradia vo vlhkom prostredí, použite prerušovač uzemňovacieho obvodu.** Používanie prerušovača uzemňovacieho obvodu znižuje riziko zásahu elektrickým prúdom.
- ### 3) BEZPEČNOSŤ OSÔB
- a) **Buďte pozorní, dávajte pozor na to, čo robíte a k práci s elektrickým náradím pristupujte rozumne.** Nepoužívajte elektrické náradie, keď ste unavení alebo keď ste pod vplyvom drog, alkoholu alebo liekov. Chvíľa nepozornosti pri používaní náradia môže viesť k vážnym poraneniam.
 - b) **Noste osobné ochranné pomôcky, ochranný odev a vždy majte nasadené ochranné okuliare.** Nosenie pracovného odevu a používanie ochranných pomôcok ako ochrannej dýchacej masky, bezpečnostných protišmykových topánok, prilby alebo chrániča sluchu, podľa druhu elektrického náradia, znižuje riziko poranenia.
 - c) **Vyhýbajte sa neúmyselnému uvedeniu ručného elektrického náradia do činnosti.** Pred zasunutím zástrčky do zásuvky a/alebo pred pripojením akumulátora, pred chytením alebo prenášaním ručného elektrického náradia sa vždy presvedčte sa, či je ručné elektrické náradie vypnuté. Ak budete mať pri prenášaní ručného elektrického náradia prst na vypínači, alebo ak ručné elektrické náradie pripojíte na elektrickú sieť zapnuté, môže to mať za následok nehodu.
 - d) **Skôr ako ručné elektrické náradie zapnete, odstráňte nastavovacie a montážne nástroje.** Nástroj alebo kľúč, ktorý sa nachádza v pohyblivej časti náradia, môže spôsobiť poranenie.
 - e) **Neprečenujte sa. Zabezpečte si pevný postoj a neprestajne udržiavajte rovnováhu.** Takto budete môcť ručné elektrické náradie v neočakávaných situáciách lepšie kontrolovať.
 - f) **Pri práci noste vhodný pracovný odev. Nenoste široké odevy a nemajte na sebe šperky.** Vyvarujte sa toho, aby sa vaše vlasy a odev dostali do blízkosti

pohyblivých častí. Voľný odev, dlhé vlasy alebo šperky môžu byť zachytené rotujúcimi časťami ručného elektrického náradia.

- g) **Ak možno namontovať zariadenie na odsávanie alebo zachytávanie prachu, presvedčte sa, či je pripojené a správne používané.** Používanie odsávacieho zariadenia a zariadenia na zachytávanie prachu znižuje riziko ohrozenia zdravia prachom.
 - h) **Nepodliehajte falošnému pocitu istoty získanej z častého používania náradia a nekonajte v rozpore s princípmi bezpečného používania náradia.** Nepozorná práca môže v priebehu zlomkov sekundy viesť k ťažkému poraneniu.
- ### 4) STAROSTLIVÉ ZAOBCHÁDZANIE S ELEKTRICKÝM NÁRADÍM A JEHO POUŽÍVANIE
- a) **Náradie nepreťažujte. Pre svoju prácu používajte určené elektrické náradie.** Pomocou vhodného ručného elektrického náradia budete môcť v uvedenom rozsahu výkonu pracovať lepšie a bezpečnejšie.
 - b) **Nepoužívajte žiadne ručné elektrické náradie, ktoré má pokazený vypínač.** Ručné elektrické náradie, ktoré sa už nedá zapínať alebo vypínať, je nebezpečné a treba ho dať opraviť.
 - c) **Skôr ako začnete náradie nastavovať alebo prestavovať, vymieňať príslušenstvo alebo ako odložíte náradie, vždy vytiahnite koncovku sieťovej šnúry zo zásuvky a/alebo vyberte akumulátor, ak sa dá vybrať.** Toto preventívne opatrenie zabraňuje neúmyselnému spusteniu ručného elektrického náradia.
 - d) **Nepoužívané ručné elektrické náradie uschovávajte mimo dosahu detí.** Nedopusťte, aby ručné elektrické náradie používali osoby, ktoré s ním nie sú dôkladne oboznámené, alebo ktoré si neprečítali tento Návod na používanie. Ak ručné elektrické náradie používajú neskúsené osoby, stáva sa nebezpečným nástrojom.
 - e) **Ručné elektrické náradie a príslušenstvo starostlivo ošetrte.** Skontrolujte, či pohyblivé súčiastky náradia bezchybne fungujú a neblokujú a či nie sú zlomené alebo poškodené niektoré súčiastky, ktoré by mohli negatívne ovplyvniť fungovanie ručného elektrického náradia. Pred použitím ručného elektrického náradia dajte poškodené súčiastky opraviť. Nejednen úraz bol spôsobený zle udržiavaným náradím.
 - f) **Používané nástroje udržiavajte ostré a čisté.** Starostlivo ošetrované nástroje s ostrými reznými hranami sa menej často zablokujú a ich vedenie je podstatne ľahšie.
 - g) **Používajte ručné elektrické náradie, príslušenstvo, pracovné nástroje a pod. podľa týchto pokynov. Zohľadnite pritom konkrétne pracovné podmienky a činnosť, ktorú máte vykonať.** Používanie ručného elektrického náradia na iné ako určené účely môže viesť k nebezpečným situáciám.
 - h) **Rukoväti a úchopové povrchy udržiavajte suché, čisté a bez oleja alebo mazacieho tuku.** Šmykľavé rukoväti a úchopové povrchy neumožňujú bezpečnú manipuláciu u ovládanie náradia v neočakávaných situáciách.
- ### 5) STAROSTLIVÉ ZAOBCHÁDZANIE S ELEKTRICKÝM NÁRADÍM NAPÁJANÝM AKUMULÁTOROM A JEHO POUŽÍVANIE
- a) **Akumulátory nabíjajte len v takých nabíjačkách, ktoré odporúča výrobca.** Ak nabíjate nabíjačkou

určenou pre určitý druh akumulátorov iné akumulátory, hrozí nebezpečenstvo požiaru.

- b) **Do ručného elektrického náradia používajte len určené akumulátory.** Použitie iných akumulátorov môže mať za následok poranenie, alebo môže spôsobiť vznik požiaru.
 - c) **Keď akumulátor nepoužívate, zabezpečte, aby sa nemohol dostať do styku s kancelárskymi sponami, mincami, kľúčmi, klincami, skrutkami alebo inými drobnými predmetmi, ktoré by mohli spôsobiť premostenie kontaktov.** Skrat medzi kontaktmi akumulátora môže spôsobiť popálenie alebo požiar.
 - d) **Ak sa akumulátor používa nevhodne, môže z neho unikáť kvapalina. Vyhnajte sa kontaktu s ňou. V prípade náhodného kontaktu umyte postihnuté miesto vodou. Ak sa dostane akumulátorová kvapalina do očí, vyhľadajte okrem toho aj lekársku pomoc.** Vytiekajúca kvapalina môže spôsobiť podráždenie pokožky alebo popálenie.
 - e) **Nepoužívajte poškodený alebo upravovaný akumulátor alebo náradie.** Poškodené alebo upravované akumulátory môžu neočakávane reagovať a spôsobiť požiar, výbuch alebo zranenie.
 - f) **Akumulátory alebo náradie nevhadzujte do ohňa alebo nevystavujte nadmerným teplotám.** Vystavenie pôsobeniu ohňa alebo teploty nad 130°C môže spôsobiť výbuch.
 - g) **Dodržujte pokyny na nabíjanie a akumulátory alebo náradie nenabíjajte mimo teplotného rozsahu uvedeného v pokynoch.** Nesprávne nabíjanie alebo teploty mimo špecifikovaného rozsahu môžu poškodiť akumulátor a zvýšiť riziko požiaru.
- 6) SERVIS**
- a) **Ručné elektrické náradie zverte do opravy len kvalifikovanému personálu a používajte len originálne náhradné súčiastky.** Tým sa zabezpečí zachovanie bezpečnosti ručného elektrického náradia.
 - b) **Nikdy neopravujte poškodené akumulátory.** Akumulátory môže opravovať len výrobca alebo autorizovaný servis.

BEZPEČNOSTNÉ POKYNY PRE AKUMULÁTOROVÝ RÁZOVÝ SKRUTKOVÁČ

- **Elektrické náradie držte za izolované plochy rúk pri vykonávaní takej práce, pri ktorej by mohol nástroj natrafiť na skryté elektrické vedenia** (kontakt ťažovača s vedením, ktoré je pod napätím, môže spôsobiť, že aj kovové súčiastky náradia sa dostanú pod napätie, čo môže spôsobiť zásah operátora elektrickým prúdom)

VŠEOBECNE

- Prach z materiálu, akým je náter obsahujúci olovo, niektoré druhy dreva, minerály a kovy môže byť škodlivý (styk alebo nadýchanie prachu môže spôsobiť alergické reakcie a/alebo respiračné ochorenia obsluhy a okolostojacich osôb); **používajte ochrannú masku tváre a pracujte so zariadením na odsávanie prachu, ak je takéto zariadenie možné pripojiť**
- Určité druhy prachu sú klasifikované ako karcinogénne (akým dubový a bukový prach), a to hlavne v spojení s prísadami pre úpravu dreva; **používajte ochrannú masku tváre a pracujte so zariadením na odsávanie prachu, ak je takéto zariadenie možné pripojiť**

- Dodržujte stanovené nariadenia pre prácu v prašnom prostredí
- **Neobrábajte materiál, ktorý obsahuje azbest** (azbest sa považuje za rakovinotvorný materiál)
- Zabezpečte, aby prepínač B ② bol v strednej (uzamknutej) polohe skôr ako budete nástroje nastavovať alebo meniť príslušenstvo ako aj pred nesením alebo každým odložením nástroja

PRÍSLUŠENSTVO

- SKIL zabezpečí hladký chod nástroja len ak sa používa pôvodné príslušenstvo
- Používajte iba príslušenstvo, u ktorého hodnota príпустných obrátok zodpovedá minimálne najvyšším obrátkam náradia

PRED POUŽITÍM

- Zabráňte poškodeniu náradia skrutkami, klincami a inými kovovými predmetmi v obrobku; zoberte ich dole prv než začnete pracovať
- **Zaistite obrábaný diel** (obrábaný diel uchytýny pomocou upínacích zariadení alebo vo zveráku je oveľa bezpečnejší kým v ruke)
- **Na vyhľadanie skrytých elektrických vedení, plynových a vodovodných potrubí použite vhodné hľadacie prístroje, alebo sa spojte s príslušným dodávateľom** (kontakt s elektrickým vedením môže mať za následok vznik požiaru alebo spôsobiť zásah elektrickým prúdom; poškodenie plynového potrubia môže spôsobiť výbuch; prevrtanie vodovodného potrubia spôsobí vecné škody, alebo môže spôsobiť zásah elektrickým prúdom)

BATÉRIÍ

- **Dodaná akumulátorová batéria je čiastočne nabitá** (na zaručenie úplnej kapacity batérie ju pred prvým používaním nástroja úplne nabite v nabíjačke)
- **S týmto nástrojom používajte len nasledujúce batérie a nabíjačky**
 - Batéria SKIL: BR1*31****
 - Nabíjačka SKIL: CR1*31****
- Nepoužívajte batériu, keď je poškodená; mala by sa okamžite vymeniť
- Batériu nerozoberajte
- Nástroj ani batériu nevystavujte dažďu
- Povolená teplota okolia (nástroj/nabíjačka/akumulátor):
 - pri nabíjaní 4...40°C
 - pri prevádzke -20...+50°C
 - pri skladovaní -20...+50°C

VYSVETLENIE SYMBOLOV UMIESTNENÝCH NA NÁSTROJI/AKUMULÁTORE

- ③ Pred použitím si prečítajte návod na obsluhu
- ④ Batérie po vhodení do ohňa vybuchnú a preto batériu zo žiadneho dôvodu do ohňa nevhadzujte
- ⑤ Nástroj, nabíjačku a batériu skladujte na miestach, kde teplota neprekročí 50°C
- ⑥ Nevhadzujte elektrické náradie a batérie do komunálneho odpadu

POUŽITIE

- Kombinovaný prepínač pre zapínanie/vypínanie a reguláciu rýchlosti A ②
 - rýchlosť regulujte neprerušene od 0 do maxima tým, že vyvíjate menší alebo väčší tlak na spínač A ④
- Nabíjanie batérie
- ! **prečítajte si bezpečnostné výstrahy a pokyny dodané s nabíjačkou**

- Vybratie/vloženie batérie ②
- Pripevnenie spony na opasok ⑦
 - pripevnite sponu na opasok G k vrtačke dodávanou skrútkou.
- Indikátor nabitia akumulátora ⑧
 - stlačením tlačidla indikátora úrovne nabitia batérie H zobrazíte aktuálnu úroveň nabitia batérie.
- Zmena smeru otáčania ⑨
 - ak nie je správne nastavená v polohe vľavo/vpravo, spínač A ② sa nedá aktivovať
- ! **zmeňte smer otáčania len keď je nástroj úplne nečinný**
- Ako vymeniť hrot ⑩
 - ak chcete vymeniť hrot, potiahnite zamykáciu objímku C dopredu ②
 - potiahnite zamykáciu objímku C dopredu, vložte hrot na doraz do držiaka hrotu a uvoľnením zamykacej objímky C hrot zaistíte. ⑩a ⑩b ⑩c
- ! **používajte len hroty s okrúhlym zakončením, ostatné hroty je možné používať s univerzálnym držiakom hrotov s okrúhlym zakončením ⑩b**
- ! **nepoužívajte hroty s poškodenou stopkou**
- Ochrana batérie
 - Nástroj vypne alebo zabraňuje zapnutiu nástroja, ak
 - je príliš vysoké zaťaženie
 - teplota batérie nie je v prípustnom rozsahu prevádzkovej teploty od -20 do +50°C
 - lítium-iónová batéria je takmer úplne vybitá (na ochranu pred prílišným vybitím)
- ! **potom ako sa nástroj automaticky vypne, nestláčajte tlačidlo zapnúť/vypnúť, môže sa poškodiť batéria**
- LED-Kontrolka F ⑪
 - LED-kontrolka F sa zapne automaticky po stlačení vypínača A ①
- Držanie a vedenie nástroja ⑫
 - ! **počas práce vždy držte nástroj v oblasti sivého držadla(iel)**
 - vetracie štrbiny E ② udržiajte nezakryté
 - na nástroje príliš netlačte; nechajte nástroje robiť prácu za Vás

RADA NA POUŽITIE

- Používajte vhodné hroty ⑮
- Pri zaťahovaní skrútky v blízkosti rezu alebo na hrane dreva by sa mala predvrtáť diera, aby sa zabránilo prasknutiu dreva
- Pre optimálne použitie nástroja sa vyžaduje rovnomerný tlak na skrútku, hlavne pri vyberaní
- Pri zaskrutkovaní do tvrdého dreva by sa mala predvrtáť diera
- Ďalšie informácie nájdete na adrese www.skil.com

ÚDRŽBA / SERVIS

- Tento nástroj nie je vhodný pre profesionálne použitie
- Nástroj neustále udržiajte čistý (najmä vetracie štrbiny E ②)
- ! **pred čistením vyberte akumulátor z nástroja**
- Ak by nástroj napriek starostlivej výrobe a kontrole predsa len prestal niekedy fungovať, treba dať opravu vykonať autorizovanej servisnej opravovni elektrického náradia SKIL
 - pošlite nástroj **bez rozmontovania** spolu s dôkazom

o kúpe; vášmu dilerovi alebo do najbližšieho servisného strediska SKIL (zoznam adries servisných stredísk a servisný diagram nástroja sú uvedené na www.skil.com)

- Uvedomte si, že poškodenie spôsobené preťažením alebo nesprávnym zaobchádzaním bude zo záruky vylúčené (záručné podmienky spoločnosti SKIL nájdete na stránke www.skil.com alebo si ich vyžiadajte u svojho predajcu)

ŽIVOTNÉ PROSTREDIE

- **Elektrické náradie, batérie, príslušenstvo a balenia nevyhadzujte do komunálneho odpadu** (len pre štáty EÚ)
 - podľa európskej smernice 2012/19/EG o nakladaní s použitými elektrickými a elektronickými zariadeniami a zodpovedajúcich ustanovení právnych predpisov jednotlivých krajín sa použité elektrické náradie musí zbierať oddelene od ostatného odpadu a podrobiť ekologicky šetrnej recyklácii
 - pripomenie vám to symbol ⑥, keď ju bude treba likvidovať
- ! **pred likvidáciou ochráňte vývody batérie hrubou páskou, aby ste zabránili skratu**

HLUK / VIBRÁCIE

- Hladina akustického tlaku nameraná v súlade s normou EN 62841 je 94,5 dB(A) a hladina akustického výkonu je 105,5 dB(A) (neistota K = 3 dB) a vibrácie 14,5 m/s² (triaxový vektorový súčet; neistota K = 1,5 m/s²)
- Hladina emisií od vibrácií bola nameraná v súlade s normalizovaným testom uvedeným v norme EN 62841; môže sa používať na vzájomné porovnávanie náradí a na predbežné posúdenie vystavenia účinkom vibrácií pri používaní náradia pre uvedené aplikácie
 - používanie náradia na rôzne aplikácie, alebo v spojení s rôznymi alebo nedostatočne udržiavanými doplnkami môže značne **zvýšiť** úroveň vystavenia
 - časové doby počas ktorých je je náradie vypnuté alebo počas ktorých náradie beží ale v skutočnosti nevykonáva prácu môžu značne **znižovať** úroveň vystavenia
- ! **chráňte sa pred účinkami vibrácií tak, že budete náradie a jeho príslušenstvo správne udržiavať, tak že nebudete pracovať so studenými rukami a tak že si svoje pracovné postupy správne zorganizujete**

HR

Akumulátorskí udarní odvíjač

3210

UVOD

- Ovaj alat namijenjen je zavrtanju i otpuštanju vijaka i svornjaka
- Ovaj uređaj nije namijenjen profesionalnoj upotrebi
- Pažljivo pročitajte i sačuvajte ove upute za rukovanje ③

TEHNIČKI PODACI ①

Max. zakretni moment za mekši slučaj uvijanja prema ISO 5393 : 140Nm

DIJELOVI ALATA ②

- A Prekidač za uključivanje/isključivanje i za kontrolu brzine
- B Prekidač za promjenu smjera rotacije
- C Sigurnosni prsten
- D Pokazivač odabranog smjera rotacije
- E Otvori za strujanje zraka
- F LED lampica
- G Kopča za remen
- H Indikator stanja napunjenosti akumulatora

SIGURNOST

OPĆA SIGURNOSNA UPOZORENJA ZA ELEKTRIČNE ALATE

UPOZORENJE Pročitajte sva sigurnosna upozorenja, upute, ilustracije i specifikacije isporučene s ovim električnim alatom. Zbog nepridržavanja svih uputa koje su navedene u nastavku može doći do nastanka strujnog udara, požara i/ili teške ozljede.

Sva upozorenja i upute sačuvajte kao referencu za buduće upotrebe.

U daljnjem tekstu korišten pojam "električni alat" odnosi se na električne alate s priključkom na električnu mrežu (s mrežnim kablom) i na električne alate s napajanjem iz aku baterije (bez mrežnog kabela).

1) SIGURNOST NA RADNOM MJESTU

- a) **Vaše radno područje održavajte čisto i uredno.** Nered ili neovijetljeno radno područje mogu doći do nezgoda.
- b) **S uređajem ne radite u okolini ugroženoj eksplozijom, u kojoj se nalaze zapaljive tekućine, plinovi ili prašina.** Električni alati proizvode iskre koje mogu zapaliti prašinu ili pare.
- c) **Djecu i ostale osobe držite dalje tijekom korištenja električnog alata.** Ako bi skrenuli pozornost sa posla mogli bi izgubiti kontrolu nad uređajem.

2) ELEKTRIČNA SIGURNOST

- a) **Priključni utikač uređaja treba odgovarati utičnici.** Na utikaču se ni u kojem slučaju ne smiju izvoditi izmjene. Ne koristite adapterske utikače zajedno sa uređajima koji su zaštićeni uzemljenjem. Originalni utikač i odgovarajuće utičnice smanjuju opasnost od električnog udara.
- b) **Izbjegavajte dodir tijela s uzemljenim površinama kao što su cijevi, centralno grijanje, štednjaci i hladnjaci.** Postoji povećana opasnost od električnog udara ako je vaše tijelo uzemljeno.
- c) **Držite uređaj dalje od kiše ili vlage.** Prodiranje vode u električni uređaj povećava opasnost od električnog udara.
- d) **Priključni kabel ne koristite za nošenje, vješanje ili za izvlačenje utikača iz utičnice.** Držite kabel dalje od izvora topline, ulja, oštirih rubova ili pomičnih dijelova uređaja. Oštećen ili usukan kabel povećava opasnost od električnog udara.
- e) **Ako s električnim uređajem radite na otvorenom, koristite samo produžni kabel odobren za uporabu na otvorenom.** Primjena produžnog kabela prikladnog za uporabu na otvorenom smanjuje opasnost od električnog udara.

- f) **Ako se ne može izbjeći uporaba električnog alata u vlažnoj okolini, upotrijebite sigurnosna sklopka za propuštanje u zemlju.** Upotrebom sigurnosne sklopke za propuštanje u zemlju smanjuje se opasnost od električnog udara.

3) SIGURNOST LJUDI

- a) **Budite oprezni, pazite što činite i postupajte razumno kod rada s električnim alatom. Ne koristite uređaj ako ste umorni ili pod utjecajem opojnih sredstava, alkohola ili lijekova.** Trenutak nepažnje kod uporabe uređaja može doći do ozbiljnih ozljeda.
- b) **Nosite sredstva osobne zaštite i uvijek zaštitne naočale.** Nošenje sredstava osobne zaštite, kao što je zaštitna maska, sigurnosne cipele koje ne klize, zaštitne kacige ili štitnika za sluh, ovisno od vrste i primjene električnog alata, smanjuje opasnost od nezgoda.
- c) **Izbjegavajte nehotično puštanje u rad. Prije nego što ćete utaknuti utikač u utičnicu i/ili staviti akubateriju, provjerite je li električni alat isključen.** Ako kod nošenja električnog alata imate prst na prekidaču ili se uključeni uređaj priključi na električno napajanje, to može dovesti do nezgoda.
- d) **Prije nego što uređaj uključite, uklonite alate za podešavanje ili vijčane ključeve.** Alat ili ključ koji se nalazi u rotirajućem dijelu uređaja može doći do nezgoda.
- e) **Ne precjenjujte svoje sposobnosti. Zauzmite siguran i stabilan položaj tijela i držite u svakom trenutku ravnotežu.** Na taj način možete uređaj bolje kontrolirati u neočekivanim situacijama.
- f) **Nosite prikladnu odjeću. Ne nosite široku odjeću ili nakit. Kosu i odjeću držite dalje od pomičnih dijelova.** Široku odjeću, dugu kosu ili nakit mogu zahvatiti pomični dijelovi.
- g) **Ako se mogu montirati naprave za usisavanje i hvatanje prašine, provjerite da li su iste priključene i da li se pravilno koriste.** Primjena naprave za usisavanje može smanjiti ugroženost od prašine.
- h) **Nemojte postati previše bezbrižni i zanemariti sigurnosne upute zato što alat često upotrebljavate i smatrate da ste ga dobro poznali.** Samo jedan trenutak nepažnje dovoljan je za nastanak ozbiljnih ozljeda.
- 4) **BRIŽLJIVA UPORABA ELEKTRIČNIH ALATA**
 - a) **Ne preopterećujte uređaj. Koristite za vaše radove za to predviđen električni alat.** S odgovarajućim električnim alatom radit ćete bolje i sigurnije, u navedenom području učinka.
 - b) **Ne koristite električni alat čiji je prekidač neispravan.** Električni alat koji se više ne može uključiti ili isključiti, opasan je i treba se popraviti.
 - c) **Alat prije podešavanja, izmjene pribora i odlaganja isključite iz izvora napajanja i/ili izvadite komplet baterije, ako se vadi iz uređaja.** Ovim mjerama opreza izbjeći će se nehotično uključivanje električnog alata.
 - d) **Nekorištene električne alate spremite izvan doseg djece.** Ne dopustite da uređaj koriste osobe koje s njim nisu upoznate ili koje nisu pročitale upute za uporabu. Električni alati su opasni ako ih koriste neiskusne osobe.
 - e) **Redovno održavajte električne alate i pribor.** Kontrolirajte da li pomični dijelovi uređaja besprijekorno rade i da nisu zaglavljivi, te da li su dijelovi polomljeni ili tako oštećeni da negativno

djeluju na funkciju uređaja. **Popravite oštećene dijelove prije uporabe uređaja.** Mnoge nezgode imaju svoj uzrok u loše održanim uređajima.

- f) **Rezne alate održavajte oštrim i čistim.** Pažljivo održavani rezni alati s oštrim oštricama neće se zaglaviti i lakši su za vođenje.
- g) **Koristite električne alate, pribor, radne alate, itd., prema navedenim uputama. Pri tome uzmite u obzir radne uvjete i radove koje se izvode.** Uporaba električnih alata za neke druge primjene različite od predviđenih, može doći do opasnih situacija.
- h) **Ručke i zahvatne površine održavajte suhima, čistima i pazite da na njih ne dospiju ulje ili mast.** Skliske ručke i zahvatne površine onemogućuju sigurno rukovanje i alat se teško kontrolira u neočekivanim situacijama.
- 5) **BRIŽLJIVA UPORABA AKUMULATORSKIH UREĐAJA**
 - a) **Aku-baterije punite samo s punjačima koje preporučuje proizvođač.** Punjač koji je prikladan za jednu određenu vrstu aku-baterije, postoji opasnost od požara ako bi se koristio s nekom drugom aku-baterijom.
 - b) **Koristite isključivo samo aku-baterije koje su za određene električne alate predviđene.** Uporaba neke druge aku-baterije može doći do ozljeda i opasnosti od požara.
 - c) **Nekorištenu aku-bateriju držite dalje od uredskih spajalica, kovanica, ključeva, čavala, vijaka ili drugih sitnih metalnih predmeta koji bi mogli prouzročiti premošćenje, kontakata.** Kratki spoj između kontakata aku-baterije može doći do opekina ili do požara.
 - d) **Kod pogrešne primjene aku-baterije tekućina može iz nje isticati. Izbjegavajte dodir s ovom tekućinom. Kod slučajnog dodira s tekućinom, odmah s vodom isprati. Ako bi tekućina dospjela u oči, odmah zatražite liječničku pomoć.** Istekla tekućina može doći do nadražaja kože ili opekina.
 - e) **Ne upotrebljavajte oštećene ili izmijenjene kompletne baterija ni alate.** Oštećene ili izmijenjene baterije podložne su nepredvidivom ponašanju i mogu uzrokovati požar, eksploziju ili ozljede.
 - f) **Držite alat i komplet baterija dalje od vatre i visokih temperatura.** Izlaganje vatri ili temperaturi višoj od 130°C može uzrokovati eksploziju.
 - g) **Poštujte sve upute za punjenje i komplet baterija i alat ne punite pri temperaturama izvan vrijednosti koje su propisane i navedene u uputama.** Nepravilno punjenje ili punjenje pri temperaturama višim od propisanih može oštetiti bateriju i povećati opasnost od požara.
- 6) **SERVISIRANJE**
 - a) **Popravak uređaja prepustite samo kvalificiranom stručnom osoblju i samo s originalnim rezervnim dijelovima.** Na taj će se način postići održanje stalne sigurnosti uređaja.
 - b) **Nikada ne servisirajte oštećene kompletne baterija.** Servisiranje kompleta baterija smiju obavljati isključivo proizvođači i ovlašteni serviseri.

SIGURNOSNE UPUTE ZA AKUMULATORNI UDARNI ODVIJAČ

- Kada izvodite neku radnju gdje pričvršćivač može dotaknuti skriveno ožičenje, pridržavajte električni alat

po izoliranim zahvatnim površinama (pričvršćivači u kontaktu sa žicom pod naponom mogu izložene metalne dijelove električnog alata također staviti pod napon, zbog čega rukovatelj može doživjeti strujni udar)

OPĆENITO

- Prašina od materijala kao što su boje koje sadrže olovo, neke vrste drveća, minerali i metal mogu biti opasne (dodir s prašinom ili njeno udisanje mogu prouzročiti alergične reakcije i/ili respiratorna oboljenja rukovatelja ili posmatrača); **nosite masku za zaštitu od prašine i radite s uređajem za ekstrakciju prašine ukoliko ga možete priključiti**
- Određene vrste prašine klasificiraju se kao karcinogenske (kao što su prašina hrastovine i bukovine), osobito u sudejstvu s aditivima za kondicioniranje drveta; **nosite masku za zaštitu od prašine i radite s uređajem za ekstrakciju prašine ukoliko ga možete priključiti**
- Nacionalni uvjeti za materijale s kojima želite raditi
- **Ne obrađujte materijal koji sadrži azbest** (azbest se smatra kancerogenim)
- Prilikom promjene pribora, prenošenja ili spremanja alata obavezno prekidač B ② postaviti u srednju poziciju (zaključano)

PRIBOR

- SKIL može osigurati besprijekoran rad uređaja samo ako se koristi originalni pribor
- Upotrebljavajte pribor čija dopuštena brzina odgovara najvećoj brzini alata u praznom hodu

PRIJE UPORABE

- Izbjegavajte oštećenja od vijaka, čavala i sličnih predmeta na vašem izratku; prije početka rada ih izvadite
- **Osigurajte izradak** (izradak je sigurnije pričvršćen pomoću stezaljke ili škripa nego da ga držite rukom)
- **Koristite prikladne uređaje za traženje napona kako bi se pronašli skriveni napojni vodovi ili se savjetuje s lokalnim distributerom** (kontakt s električnim vodovima mogao bi doći do požara i električnog udara; oštećenje plinske cijevi moglo bi dovesti do eksplozije; probijanje vodovodne cijevi uzrokuje materijalne štete ili može uzrokovati električni udar)

AKU-BATERIJE

- **Isporučena je baterija djelomično napunjena** (da biste zajamčili potpuni kapacitet baterije, bateriju u potpunosti napunite punjačem prije prve uporabe električnog alata)
- **S ovim alatom rabite samo sljedeće baterije i punjače**
 - Baterija marke SKIL: BR1*31****
 - Punjač marke SKIL: CR1*31****
- Oštećenu bateriju ne koristiti dalje nego je odmah zamijeniti
- Ne rastavlajte bateriju
- Ne izlažite kiši alat/bateriju
- Dopuštena okolišna temperatura (uređaj/punjač/baterija):
 - kod punjenja 4...40°C
 - tijekom rada -20...+50°C
 - kod skladištenja -20...+50°C

POJAŠNJENJE SIMBOLA NA UREĐAJU/BATERIJI

- ③ Prije upotrebe pročitajte korisnički priručnik
- ④ U dodiru s vatrom baterije će eksplodirati, stoga ne spaljujte bateriju iz bilo kojih razloga
- ⑤ Uređaj/punjač/bateriju spremajte uvijek kod temperatura prostorije nižih od 50°C
- ⑥ Ne bacajte električne alate i baterij u kućni otpad

POSLUŽIVANJE

- Kombinirani prekidač za uključivanje/isključivanje i kontrolu brzine A ②
 - većim ili manjim pritiskom na prekidač A ⑭, brzina se može postupno regulirati od nule do maksimalnog broja okretaja
- Punjenje aku-baterije
 - ! **pročitajte sigurnosna upozorenja i upute isporučene s punjačem**
- Uklanjanje/ugradnja baterije ②
- Pričvršćivanje kopče za remen ⑦
 - pričvrstite kopču za remen G na bušilicu priloženim vijkom.
- Indikator stanja napunjenosti akumulatora ⑧
 - pritisnite gumb pokazivača razine napunjenosti baterije H radi prikaza aktualne razine napunjenosti baterije.
- Promjena smjera rotacije ⑨
 - ako položaj lijevo/desno nije ispravno preskočio, prekidač A ② se ne može aktivirati
 - ! **smjer rotacije mijenjati samo dok alat miruje**
- Zamjena nastavaka ⑩
 - da biste uklonili svrdlo, povucite rukavac za zaključavanje C prema naprijed ②
 - povucite rukavac za zaključavanje C prema naprijed, umetnite svrdlo u graničnik u držač svrdla i otpustite rukavac za zaključavanje C da biste zaključali svrdlo. ⑩a ⑩b ⑩c
 - ! **rabite samo svrdla s kugličnim zaporom, druga se svrdla mogu rabiti s univerzalnim držačem svrdla s kugličnim zaporom ⑩b**
 - ! **ne koristite nastavke s oštećenom drškom**
- Zaštita baterije
 - Isključuje alat ili sprječava uključivanje alat, kad
 - je punjenje previsoko
 - temperatura baterije nije u okvirima dopuštenog radnog raspona temperature od -20 do +50°C
 - litij-ionska baterija je gotovo prazna (kako bi se zaštitila od potpunog pražnjenja)
 - ! **nemojte dalje pritiskati prekidač za uključivanje/isključivanje nakon što se alat automatski isključi; time možete oštetiti bateriju**
- LED lampica F ⑪
 - Lampica LED F automatski zasvijetli kada se pokrene prekidač A ⑪
- Držanje i vođenje uređaja ⑫
 - ! **alat kod primjene, držati samo na sivo označenim područjima**
 - otvore za strujanje zraka E ② držite nepokriveno
 - ne djelujte prevelikom pritiskom na alat; ostavite alat da radi za vas

SAVJETI ZA PRIMJENU

- Treba koristiti odgovarajuće bitove ⑮
- Kod uvijanja vijka na prednjem ili stražnjem dijelu nekog izratka od drvta, treba se prethodno izbušiti rupa, kako bi se izbjeglo kalanje drvta
- Za optimalnu uporabu alata potreban je stalni pritisak na vijak, posebno tijekom odvijanja
- Kod uvijanja vijka u tvrdo drvo treba se prethodno izbušiti rupa
- Više informacija navedeno je na mrežnom mjestu www.skil.com

ODRŽAVANJE / SERVISIRANJE

- Ovaj uređaj nije namijenjen profesionalnoj upotrebi
- Uvijek držite alat čistim (osobito otvore za provjetravanje E ②)
 - ! **bateriju uklonite iz alata prije čišćenja**
- Ako bi uređaj unatoč brižljivih postupaka izrade i ispitivanja ipak prestao raditi, popravak treba prepustiti ovlaštenom servisu za SKIL električne alate
 - uređaj treba **nerastavljeno** predati, zajedno s računom o kupnji u najbližu SKIL ugovornu servisnu radionicu (popise servisa, kao i oznake rezervnih dijelova uređaja možete naći na adresi www.skil.com)
- Imajte na umu kako jamstvo ne obuhvaća štete nastale zbog preopterećenja ili nepravilnog rukovanja alatom (za uvjete iz SKIL jamstva, posjetite www.skil.com ili upitajte svog prodavača)

ZAŠTITA OKOLIŠA

- **Električne alate, baterij, pribor i ambalažu ne bacajte u kućni otpad** (samo za EU-države)
 - prema Europskoj direktivi 2012/19/EG o staroj električnoj i elektroničkoj opremi i njenoj primjeni u skladu sa nacionalnim zakonom, istrošeni električni alati moraju se sakupljati odvojeno i odvesti u posebne pogone za reciklažu
 - na to podsjeća simbol ⑥ kada se javi potreba za odlaganjem
 - ! **prije nego što aku-bateriju zbrinete u otpad, zaštitite njene polove**

BUKA / VIBRACIJA

- Mjerene u skladu s normom EN 62841, razina zvučnog tlaka ovoga alata je 94,5 dB(A), razina zvučne snage 105,5 dB(A) (nesigurnost K = 3 dB), a vibracija 14,5 m/s² (trokssijalna vektorska suma; nesigurnost K = 1,5 m/s²)
- Razina emitiranja vibracija izmjerena je sukladno normiranom testu danom u EN 62841; ona se može koristiti za usporedbu jedne alatke s drugom, te preliminarnu procjenu izloženosti vibracijama pri uporabi alatke za navedene namjene
 - uporaba ove alatke za druge namjene ili s drugim ili slabo održavanim nastavcima, može u značajnoj mjeri **uvećati** razinu izloženosti
 - vrijeme tokom kojega je alatka isključena, ili je uključena ali se njome ne radi, može značajno **umanjiti** razinu izloženosti
- ! **zaštitite se od posljedica vibracija održavanjem alatke i njezinih nastavaka, održavanjem Vaših ruku toplima, te organiziranjem Vaših obrazaca rada**

SRB

Akumulatorski udarni odvijáč

3210

UPUTSTVO

- Ovaj alat je namenjen za pritezanje i otpuštanje zavrtnjeva i šrafova
- Ovaj alat nije namenjen za profesionalnu upotrebu
- Pažljivo pročitajte i sačuvajte ova uputstva za rukovanje ③

TEHNIČKI PODACI ①

Max. obrtni momenat tvrdji slučaj zavrtnanja prema ISO 5393 : 140Nm

ELEMENTI ALATA ②

- A Prekidač za uključivanje/isključivanje i kontrolu brzine
- B Prekidač za promenu smeru rotacije
- C Stezna glava
- D Indikator izabranog smeru rotacije
- E Prorezi za hlađenje
- F LED-svetlo
- G Štipaljka za kaiš
- H Indikator kapaciteta baterije

SIGURNOST

OPŠTA SIGURNOSNA UPOZORENJA ZA ELEKTRIČNI ALAT

⚠ UPOZORENJE Pročitajte sva bezbednosna upozorenja, uputstva, ilustracije i specifikacije priložene uz ovaj električni alat. Ukoliko se ne slede sva uputstva navedena u nastavku može doći do strujnog udara, požara i/ili ozbiljne povrede.

Sačuvajte sva upozorenja i uputstva za buduću upotrebu.

Pojam upotrebljen u upozorenjima "električni alat" odnosi se na električne alate sa radom na mreži (sa mrežnim kablom) i na električne alate sa radom na akumulator (bez mrežnog kabla).

1) SIGURNOST NA RADNOM MESTU

- a) **Držite Vaše područje rada čisto i pospremljeno.** Nered ili neosvetljena radna područja mogu voditi nesrećama.
- b) **Ne koristite električni alat tamo gde postoji opasnost od eksplozije kao npr. u prisustvu zapaljivih tečnosti, gasova ili prašine.** Električni alati proizvode varnice, koje mogu zapaliti prašinu ili isparenja.
- c) **Za vreme korišćenja električnog alata držite podalje decu i druge osobe.** Kod skretanja možete izgubiti kontrolu nad alatom.

2) ELEKTRIČNA SIGURNOST

- a) **Utikač električnog alata mora odgovarati utičnici.** Nikada nemojte modifikovati utikač. Ne upotrebljavajte adaptere utikača sa uzemljenim električnim alatom. Nemodifikovani utikači i odgovarajuće utičnice smanjuju rizik od električnog udara.
- b) **Izbegavajte telesni kontakt sa uzemljenim gornjim površinama, kao što su cevi, grejanja, šporeti i rashladni ormani.** Postoji povećani rizik od električnog udara, ako je Vaše telo uzemljeno.
- c) **Ne izlazite električni alat kiši ili vlažnim uslovima.** Prodor vode u električni alat povećava rizik od električnog udara.
- d) **Ne zloupotrebljavajte kabl.** Nikada nemojte koristiti kabl za nošenje i vučenje električnog alata ili za izvlačenje iz utičnice. Držite kabl dalje od vreline, ulja, oštih ivica ili pokretnih delova. Oštećeni ili

umršeni kablovi povećavaju rizik električnog udara.

- e) **Ako sa nekim električnim alatom radite u prirodi, upotrebljavajte samo produžne kablove koji su dozvoljeni za spoljno područje.** Upotreba produžnog kabla pogodnog za spoljno područje smanjuje rizik od električnog udara.
 - f) **Ako rad električnog alata ne može da se izbegne u vlažnoj okolini, koristite prekidač strujne zaštite pri kvaru.** Upotreba prekidača strujne zaštite pri kvaru smanjuje rizik od električnog udara.
- #### 3) SIGURNOST OSOBA
- a) **Budite oprezni, pazite na to šta radite i razumno rukujte Vašim električnim alatom. Ne koristite električni alat dok ste umorni ili pod uticajem narkotika, alkohola ili lekova.** Momenat nepažnje kod upotrebe električnog alata može rezultirati ozbiljnim povredama.
 - b) **Nosite ličnu zaštitnu opremu i uvek zaštitne naočare.** Nošenje lične zaštitne opreme, kao maske za prašinu, sigurnosne cipele koje ne klizaju, zaštitni šlem ili zaštitu za sluh, zavisno od vrste i upotrebe električnog alata, smanjujete rizik od povreda.
 - c) **Sprečite nenamerno puštanje u rad. Pre priključivanja na struju i/ili na akumulatorsku bateriju, podizanja ili nošenja alata uverite se da je prekidač isključen.** Nošenje električnog alata sa prstom na prekidaču ili priključivanje na struju uključenog električnog alata vodi do nesreće.
 - d) **Uklonite bilo kakve ključeve za podešavanje ili ključeve za zavrtnjeve, pre nego što uključite električni alat.** Ostavljanje ključa za zavrtnjeve ili ključa prikačene na rotirajući deo električnog alata može rezultirati ličnom povredom.
 - e) **Ne zauzimajte neadekvatan položaj. Sve vreme držite ravnotežu i pravilan položaj nogu.** Ovo omogućava bolje upravljanje električnim alatom u neочеkivanim situacijama.
 - f) **Nosite pogodno odelo. Ne nosite široko odelo ili nakit.** Držite kosu i odelu dalje od pokretnih delova. Opušteno odelo, nakit ili duža kosa mogu biti zahvaćeni od rotirajućih delova.
 - g) **Ako se mogu montirati uredjaji za usisavanje prašine i uredjaji za hvatanje prašine, uverite se da li su priključeni i ispravno koriste.** Upotreba usisavanja prašine može smanjiti opasnosti od prašine.
 - h) **Ne dozvolite da pouzdanje koje ste stekli čestom upotrebom alata utiče na to da postanete neoprezni i da zanemarite sigurnosne principe za upotrebu alata.** Neoprezno delovanje može prouzrokovati teške povrede u deliću sekunde.
- #### 4) BRIŽLJIVO OPHODNENJE I KORIŠĆENJE ELEKTRIČNIH ALATA
- a) **Ne preopterećujte električni alat. Koristite električni alat koji odgovara Vašoj primeni.** Sa odgovarajućim električnim alatom radite bolje i sigurnije tempom za koji je projektovan.
 - b) **Ne upotrebljavajte električni alat, čiji je prekidač u kvaru.** Električni alat koji više ne može da se uključi ili isključi je opasan i mora da se popravi.
 - c) **Izvučite utikač iz utičnice i/ili izvadite akumulatorsku bateriju, ukoliko je to moguće, iz električnog alata pre nego što izvršite bilo kakva podešavanja, promenu pribora ili pre nego što uskladištite**

električni alat. Takve preventivne sigurnosne mere smanjuju rizik od slučajnog pokretanja električnog alata.

- d) Čuvajte električne alate koje ne koristite izvan domašaja dece i ne dozvoljavajte osobama, koje nisu upoznate sa ovim električnim alatom ili sa ovim uputstvima, da rukuju električnim alatom. U rukama neobučenih korisnika električni alati postaju opasni.
- e) Održavajte električni alat i pribore. Proverite da li su pokretni delovi u ravni i da li negde zapinju, da nije došlo do lomljenja delova i svako drugo stanje koje može uticati na rad električnog alata. Ukoliko je oštećen, odnesite električni alat na popravku pre korišćenja. Mnoge nesreće su prouzrokovane lošim održavanjem električnih alata.
- f) Držite alate za sečenja oštre i čiste. Brijljivo negovani alati za sečenje sa oštrim sečivima manje slepljuju i lakše se vode.
- g) Upotrebljavajte električne alate, pribor, alate koji se umeću itd. prema ovim uputstvima. Obratite pažnju pritom na uputstva za rad i posao koji treba izvesti. Upotreba električnih alata za druge od propisanih namena može voditi opasnim situacijama.
- h) Održavajte drške i prihvatne površine suvim, čistim i bez ostataka ulja ili masnoće. Klizave drške ili prihvatne površine ne omogućavaju bezbedno rukovanje i upravljanje alatom u neočekivanim situacijama.

5) BRIŽLJIVO OPHODJENJE I KORIŠĆENJE APARATA SA AKUMULATOROM

- a) Punite akumulator samo u aparatima za punjenje koje propisuje proizvođač. Za aparat za punjenje koji je pogodan za određenu vrstu akumulatora, postoji opasnost od požara, ako se upotrebljava sa drugim akumulatorom.
- b) Upotrebljavajte samo za to predviđene akumulatore u električnim alatima. Upotreba drugih akumulatora može voditi povredama i opasnosti od požara.
- c) Držite ne korišćen akumulator podalje od kancelarijskih spajalica, novčića, ključeva, ekspera, zavrtnja ili drugih malih metalnih predmeta koji mogu prouzrokovati premošćavanje kontakata. Kratak spoj između kontakata akumulatora može imati za posledicu zagorevanje ili vatru.
- d) Kod pogrešne primene može izaći tečnost iz akumulatora; izbegavajte kontakt sa njom. Kod slučajnog kontakta isperite sa vodom. Ako tečnost dodje u dodir sa očima, potražite i lekarsku pomoć dodatno. Tečnost akumulatora koja može izaći napolje može voditi nadražajima kože ili opekotinama.
- e) Ne koristite akumulatorsku bateriju ili alat koji je oštećen ili modifikovan. Oštećeni ili modifikovani akumulatori se mogu ponašati nepredviđeno što može rezultirati požarom, eksplozijom ili povredom.
- f) Ne izlažite akumulatorsku bateriju ili alat vatri ili visokim temperaturama. Izlaganje vatri ili temperaturama iznad 130°C može prouzrokovati eksploziju.
- g) Pridržavajte se svih uputstava u vezi sa punjenjem i ne punite akumulatorsku bateriju ili alat izvan temperaturnog opsega naznačenog u uputstvima. Neproprisan punjenje ili punjenje na temperaturama izvan naznačenog opsega može oštetiti akumulator i povećati rizik od požara.

6) SERVISIRANJE

- a) Vaš električni alat dajte na servisiranje samo kvalifikovanom licu za popravku, koristeći pritom samo identične rezervne delove. Ovo će osigurati očuvanje bezbednosti električnog alata.
- b) Nikada ne servisirajte oštećene akumulatorske baterije. Servisiranje akumulatorskih baterija treba da vrši isključivo proizvođač ili ovlašćeni serviseri.

BEZBEDNOSNA UPUTSTVA ZA UDARNI ODVIJAC

- Hvatajte električni alat za izolovane hvataljke, ako izvodite radove, kod kojih sredstva za pričvršćivanje može da dodirne skrivene vodove struje (sredstva za pričvršćivanje koja dođu u kontakt sa vodom koji provodi napon stavlja i metalne delove električnog alata pod napon, usled čega rukovalac može doživeti električni udar)

OPŠTA

- Prašina od materijala, kao što su boja koja sadrži olovo, neke vrste drveta, minerali i metal, može biti opasna (dodir ili udisanje prašine može prouzrokovati alergijske reakcije i/ili respiratorna oboljenja rukovaoca i lica u blizini); nosite masku protiv prašine i radite uz uključeni uređaj za ekstrakciju prašine kada radite na mestima gde je moguće priključiti
- Određene vrste prašine su klasifikovane kao kancerogene (kao što su prašina hrastovine i bukovine), posebno u sadejstvu sa aditivima za pripremu drveta; nosite masku protiv prašine i radite uz uključeni uređaj za ekstrakciju prašine kada radite na mestima gde je moguće priključiti
- Prati nacionalne propise vezane za prašinu koja se proizvodi prilikom rada na obrađivanim materijalima
- Ne obradjujte nikakav materijal koji sadrži azbest (azbest važi kao izazivač raka)
- Uverite se da je prekidač B ② u srednjoj poziciji (blokada) pre nego što počnete da podešavate alat , menjate pribor ili nosite alat

PRIBOR

- SKIL može priznati garanciju samo ukoliko je korišćen originalni pribor
- Koristite samo pribor čija je dozvoljena brzina u najmanju ruku jednaka najvećoj brzini pri praznom hodu električnog alata

PRE UPOTREBE

- Izbegavajte oštećenja od šrafova, ekspera i drugih predmeta na vašem području rada; uklonite ih pre nego što započnete rad
- Obezbedite radni predmet (radni predmet stegnut pomoću stega ili nečeg sličnog je mnogo stabilniji nego kada se drži rukom)
- Koristite odgovarajuće aparate za proveru dali se u zidu koji bušimo nalaze skrivene instalacije, ili za taj posao nađite odgovarajuće preduzeće (kontakt sa električnim vodovima može izazvati požar ili električni udar; oštećenje gasovoda može izazvati eksploziju; probijanje cevi sa vodom uzrokuje štete ili može izazvati električni udar)

BATERIJA

- Baterija se isporučuje delimično napunjena (da biste obezbedili pun kapacitet baterije, bateriju napunite do kraja u punjaču baterije pre prvog korišćenja električnog alata)

- **Koristite samo sledeće baterije i punjače sa ovim alatom**
 - SKIL baterija: BR1*31****
 - SKIL punjač: CR1*31****
- Nemojte koristiti oštećenu bateriju; odmah je treba zameniti
- Nemojte da rastavljate bateriju
- Nemojte izlagati alat/bateriju kiši
- Dozvoljena ambijentalna temperatura (alat/punjač/bateriju):
 - prilikom punjenja 4...40°C
 - prilikom režima rada -20...+50°C
 - prilikom skladištenja -20...+50°C

OBJAŠNJENJE SIMBOLA NA ALATU/BATERIJA

- ③ Pročitajte uputstvo za korišćenje pre prve upotrebe
- ④ Baterije će eksplozivirati ako se izlože vatri, zato nikada ne palite baterije
- ⑤ Odlažite alat/punjač/bateriju na msetima gde temperatura neće preći 50°C
- ⑥ Ne odlažite električne alate i baterije u kućne otpatke

UPUTSTVO ZA KORIŠĆENJE

- Kombinovani prekidač za uključivanje/isključivanje i kontrolu brzine A ②
 - možete kontrolisati brzinu od najmanje do najveće menjanjem pritiska na obaraču A⑭
- Punjenje baterije
 - ! **pročitajte bezbednosna upozorenja i uputstva priložena uz punjač**
- Uklanjanje/postavljanje baterije ②
- Pričvršćivanje štipaljke za kaiš ⑦
 - pričvrstite štipaljku za kaiš G na burgiju sa isporučeni zavrtanjem.
- Indikator kapaciteta baterije ⑧
 - pritisnite dugme indikatora kapaciteta baterije H da bi se prikazao trenutni nivo baterije.
- Izmena smer rotacije ⑨
 - ako leva/desna pozicija ne ulegnu kako treba, prekidač A ② neće moći biti strtovan
 - ! **smer rotacije menjati samo kada alat potpuno miruje**
- Izmena bitseva ⑩
 - da biste uklonili bitseve, povucite steznu glavu C napred ②
 - povucite steznu glavu C napred, ubacite bit do kraja u država bitseva i otpustite steznu glavu C da biste zaključali bit. ⑩a ⑩b ⑩c
 - ! **koristiti samo bitseve sa loptastim osloncem ⑩b**
 - ! **ne koristite bitseve sa oštećenim prihvatom**
- Zaštita baterije
 - Isključuje alat ili sprečava uključivanje alata, kada
 - je opterećenje preveliko
 - temperatura baterije nije u okviru dozvoljenog opsega radne temperature od -20 do +50°C
 - je litijumsko-jonska baterija gotovo ispražnjena (radi zaštite od dubinskog pražnjenja)
 - ! **prestanite da pritisćate prekidač za uključivanje/isključivanje nakon automatskog isključivanja alata jer možete oštetiti bateriju**
- LED-svetlo F ⑪
 - LED-svetlo F se automatski uključuje kada se aktivira prekidač A ⑪
- Držanje i upravljanje alata ⑫
 - ! **dok radite, uvek držite alat za mesto(a) koje(a) su označena sivom bojom**

- prerezi za hlađenje E ② moraju da budu otvoreni
- ne pritisćati alat previše; pustite da alat sam radi

SAVETI ZA PRIMENU

- Koristiti odgovarajuće bitseve ⑮
- Pri uvrtanju šrafova na krajevima drveta prvo treba izbušiti malu rupu da bi se izbeglo listanje drveta
- Za optimalno korišćenje alata potreban je stalan pritisak na šraf, posebno pri odstranjivanju istih
- Ako uvrćete šraf u tvrdo drvo potrebno je prethodno izbušite rupu
- Za više informacija pogledajte www.skil.com

ODRŽAVANJE / SERVIS

- Ovaj alat nije namenjen za profesionalnu upotrebu
- Alat uvek održavajte čistim (posebno otvore za hlađenje E ②)
 - ! **pre čišćenja uklonite bateriju iz alata**
- Ako bi alat i pored brižljivog postupka izrade i kontrole nekada otkazao, popravku mora vršiti neki autorizovani servis za SKIL-električne alate
 - pošaljite **nerastavljeni** alat zajedno sa potvrdom o kupovini vašem nabavljaču ili najbližem SKIL servisu (adrese i oznake rezervnih delova možete naći na www.skil.com)
- Imajte na umu da za oštećenja nastala usled preopterećivanja ili nepravilnog rukovanja neće važiti garancija (za uslove SKIL garancije posetite www.skil.com ili pitajte svog prodavca)

ZAŠTITA OKOLINE

- **Električne alate, baterije, pribora i ambalaže ne odlažite u kućne otpatke** (samo za EU-države)
 - prema Europskoj direktivi 2012/19/EG o staroj električnoj i elektronskoj opremi i njenoj upotrebi u skladu sa nacionalnim pravom, električni alati koji su istrošeni moraju biti sakupljeni odvojeno i dostavljeni pogonu za reciklažu
 - simbol ⑥ će vas podsetiti na to
 - ! **da bi se izbegli kratki spojevi je baterija zaštićena debljom trakom**

BUKA / VIBRACIJE

- Izmeren u skladu sa standardom EN 62841 nivo pritiska zvuka ovog alata je 94,5 dB(A) a nivo jačine zvuka 105,5 dB(A) (neizvesnost K = 3 dB), i vibracija 14,5 m/s² (troosni vektorski zbir; neizvesnost K = 1,5 m/s²)
- Nivo emisije vibracija izmeren je u skladu sa standardizovanim testom datim u EN 62841; on se može koristiti za upoređenje jedne alatke sa drugom, kao i za preliminarnu procenu izloženosti vibracijama pri korišćenju ove alatke za pomenute namene
 - korišćenje alatke u drugačije svrhe ili sa drugačijim ili slabo održavanim nastavcima može značajno **povećati** nivo izloženosti
 - vreme kada je alatka isključena ili kada je uključena, ali se njome ne radi, može značajno **smanjiti** nivo izloženosti
 - ! **zaštitite se od posledica vibracija održavanjem alatke i njenih nastavaka, održavajući Vaše ruke toplim i organizovanjem Vaših radnih obrazaca**

Akumulatorski udarni vijačnik

3210

UVOD

- To orodje je namenjeno privijanju in odvijanju vijakov ter sornikov
- Orodje ni namenjeno profesionalni uporabi
- Preberite in shranite navodila za uporabo ③

TEHNIČNI PODATKI ①

Maks. zatezni moment pri trdem vijačenju po ISO 5393 : 140Nm

DELI ORODJA ②

- A Vklonno/izklonno stikalo in za nadzor hitrosti
- B Stikalo za preklon smeri vrtenja
- C Zatisna puša
- D Indikator izbrane smeri vrtenja
- E Ventilacijske reže
- F Dioda LED
- G Sponka za pas
- H Indikator stanja akumulatorja

VARNOST

SPLOŠNA VARNOSTNA OPOZORILA ZA ELEKTRIČNA ORODJA

⚠ OPOZORILO Preberite vsa varnostna opozorila, navodila in tehnične podatke ter si oglejte slike, ki so priloženi temu električnemu orodju. Neupoštevanje spodaj navedenih navodil se lahko odrazi v električnem udaru, požaru in/ali hudih poškodbah.

Vsa opozorila in navodila shranite, saj jih boste v prihodnosti morda potrebovali.

Pojem "električno orodje", ki se pojavlja v nadaljnjem besedilu, se nanaša na električna orodja z električnim pogonom (z električnim kablom) in na akumulatorska električna orodja (brez električnega kabla).

1) VARNOST NA DELOVNEM MESTU

- a) **Poskrbite, da bo Vaše delovno mesto vedno čisto in urejeno.** Nered ali neosvetljena delovna področja lahko povzročijo nezgode.
- b) **Prosimo, da orodja ne uporabljate v okolju, kjer je nevarnost za eksplozije in v katerem se nahajajo gorljive tekočine, plini in prah.** Električna orodja povzročajo iskre, zato se gorljivi prah ali pare lahko vnamejo.
- c) **Ne dovolite otrokom in drugim osebam, da bi se medtem ko delate, približali električnemu orodju.** Druge osebe lahko odvrnejo Vašo pozornost drugim in izgubili boš nadzor nad orodje.

2) ELEKTRIČNA VARNOST

- a) **Vtič mora ustrezati električni vtičnici in ga pod nobenim pogojem ne smete spreminjati.** Uporaba adapterskih vtičev v kombinaciji z ozemljena orodja

ni dovoljena. Originalni oziroma nespremenjeni vtiči in ustrezne vtičnice zmanjšujejo tveganje električnega udara.

- b) **Izogibajte se telesnemu stiku z ozemljenimi površinami, na primer s cevmi, grelci, štedilniki in hladilniki.** Če je ozemljeno tudi vaše telo, obstaja povečano tveganje električnega udara.
- c) **Zavarujte orodje pred dežjem ali vlago.** Vdor vode v električno orodje povečuje tveganje električnega udara.
- d) **Električnega kabla ne uporabljajte za prenašanje ali obežanje orodja in ne vlecite vtiča iz vtičnice tako, da vlečete za kabel.** Zavarujte kabel pred vročino, oljem, ostrimi robovi in premikajočimi se deli orodja. Poškodovani ali prepleteni kabli povečujejo tveganje električnega udara.
- e) **Če z električnim orodjem delate na prostem, uporabljajte izključno kabelski podaljšek, ki je atestiran za delo na prostem.** Uporaba kabelskega podaljška, primerne za delo na prostem, zmanjšuje tveganje električnega udara.
- f) **Če je uporaba električnega orodja v vlažnem okolju neizogibna, uporabljajte prekinjevalec električnega tokokroga.** Prekinjevalca električnega tokokroga zmanjšuje tveganje električnega udara.

3) OSEBNA VARNOST

- a) **Bodite zbrani in pazite, kaj delate.** Dela z električnim orodjem se lotite razumno. Nikoli ne uporabljajte orodja, če ste utrujeni in če ste pod vplivom mamil, alkohola ali zdravil. En sam trenutek nepazljivosti pri uporabi orodja ima lahko za posledico resne telesne poškodbe.
- b) **Uporabljajte osebna zaščitna sredstva in vedno nosite zaščitna očala.** Uporaba osebnih zaščitnih sredstev, na primer maske proti prahu, nedrsečih zaščitnih čevljev, zaščitne čelade in glušnikov, odvisno od vrste in uporabe električnega orodja, zmanjšuje tveganje telesnih poškodb.
- c) **Izogibajte se nenamernemu zagonu. Pred priključitvijo električnega orodja na električno omrežje in/ali na akumulator in pred dviganjem ali nošenjem se prepričajte, če je električno orodje izklopljeno.** Prenašanje naprave s prstom na stikalo ali priključitev vklopljenega električnega orodja na električno omrežje je lahko vzrok za nezgodo.
- d) **Pred vklopom orodja odstranite z nje nastavitvena orodja ali vijačni ključ.** Orodje ali ključ, ki se nahajata na vrtečem se delu električnega orodja, lahko povzročita nezgodo.
- e) **Ne precenjujte se in poskrbite za varno stojišče in stalno ravnotežje.** Tako boste lahko v nepričakovani situaciji bolje obvladali orodje.
- f) **Oblecite se primerno. Ne nosite ohlapnih oblačil ali nakita. Las in oblačil ne približujte premikajočim se delom.** Ohlapna oblačila, nakit ali dolgi lasje se lahko ujamejo v premikajoče se dele.
- g) **Če je možno na orodje namestiti priprave za odsesavanje in prestrezanje prahu, prepričajte se, ali so le-te priključene in, če jih pravilno uporabljate.** Uporaba priprave za odsesavanje prahu zmanjšuje zdravstveno ogroženost zaradi prahu.
- h) **Naj seznanjenost z orodjem, ki jo pridobite s pogosto uporabo, ne bo razlog za to, da postanete lahkomišeln in ignorirate varnostna načela.** V deličku

sekunde lahko nepozorno dejanje pripelje do hude poškodbe.

- 4) **RAVNANJE IN NEGA ROČNEGA ORODJA**
- a) **Ne preobremenjujte orodja. Za določeno delo uporabljajte električno orodje, ki je predvideno za opravljanje tega dela.** Z ustreznim električnim orodjem boste delo opravili bolje in varneje, ker je bilo v ta namen tudi konstruirano.
- b) **Električno orodje, ki ima pokvarjeno stikalo, ne uporabljajte.** Električno orodje, ki ga ni možno vklopiti ali izklopiti, je nevarno in ga je potrebno popraviti.
- c) **Izvlomite vtič iz vtičnice in/ali odstranite akumulatorsko baterijo, če jo je mogoče izvzeti, še preden orodje popravljate, menjujete pribor ali ga shranite.** Ti preventivni varnostni ukrepi zmanjšajo tveganje za nenamenski zagon orodja.
- d) **Kadar orodja ne uporabljate ga shranjujte izven dosega otrok.** Osebam, ki orodja ne poznajo ali niso prebrale teh navodil, orodja ne dovolite uporabljati. Električna orodja so nevarna, če jih uporabljajo neizkušene osebe.
- e) **Vzdržujte električna orodja in pribor. Preverite, če premikajoči se deli orodja delujejo brezhibno in če se ne zatikajo, oziroma, če kakšen del orodja ni zlomljen ali poškodovan do te mere, da bi oviral njegovo delovanje. Pred nadaljnjo uporabo je potrebno poškodovani del popraviti.** Vzrok za številne nezgode so ravno slabo vzdrževana električna orodja.
- f) **Rezalna orodja naj bodo ostra in čista.** Skrbno negovana rezalna orodja z ostrimi rezili se manj zatikajo in so boljje vodljiva.
- g) **Električna orodja, pribor, nastavke in podobno uporabljajte v skladu s temi navodili. Pri tem upoštevajte delovne pogoje in vrsto dela, ki ga nameravate opraviti.** Zaradi uporabe električnega orodja v druge, nepredvidene namene, lahko nastanejo nevarne situacije.
- h) **Ročaji in površine za prijemanje naj bodo suhe, čiste in brez olja ali maščobe.** Gladki ročaji in površine za prijemanje ne omogočajo varne uporabe in nadzora orodja v nepričakovanih situacijah.
- 5) **SKRIBNO RAVNANJE Z AKUMULATORSKIMI NAPRAVAMI IN NJIHOVA UPORABA**
- a) **Prosimo, da akumulatorske baterije polnite samo v polnilnikih, ki jih priporoča proizvajalec.** Na polnilniku, predvidenem za polnjenje določene vrste akumulatorskih baterij, lahko pride do požara, če ga uporabljate za polnjenje drugih vrst akumulatorskih baterij.
- b) **Za pogon akumulatorskih orodij uporabljajte samo zanje predvidene akumulatorske baterije.** Uporaba drugačnih akumulatorskih baterij lahko povzroči telesne poškodbe ali požar.
- c) **Kadar akumulatorska baterija ni v orodju, pazite, da ne pride v stik s kovinskimi predmeti kot so pisarniške sponke, kovanci, ključji, žebliji, vijaki ali ostalimi kovinskimi predmeti, ki bi lahko povzročili stik med obema poloma akumulatorja.** Kratek stik med kontakti akumulatorske baterije lahko povzroči opeklino ali požar.
- d) **Pri napačni uporabi lahko iz akumulatorske baterije priteče tekočina. Izogibajte se stiku z njo. V primeru naključnega stika prizadeto mesto spirajte z vodo.**

Če pride akumulatorska tekočina v oči, po spiranju poiščite tudi zdravniško pomoč. Iztekanje tekočine iz akumulatorja lahko povzroči draženje kože ali opeklino.

- e) **Ne uporabljajte poškodovanih ali prilagojenih akumulatorskih baterij oz. orodij.** Poškodovane ali prilagojene akumulatorske baterije se lahko nepredvidljivo obnašajo, kar lahko povzroči požar, eksplozijo ali tveganje za poškodbe.
- f) **Akumulatorske baterije ali orodja ne izpostavljajte ognju ali previsoki temperaturi.** Izpostavljenost ognju ali vročini nad 130°C lahko povzroči eksplozijo.
- g) **Upoštevajte navodila za polnjenje in ne polnite akumulatorske baterije ali orodja pri temperaturi, ki je izven območja, navedenega v navodilih.** Če orodje polnite na nepravilen način ali pri temperaturah, ki so izven določenega območja, lahko pride do poškodb akumulatorske baterije, kar poveča tveganje za požar.
- 6) **SERVISIRANJE**
- a) **Popravilo orodja lahko opravi samo usposobljena strokovna oseba in to izključno z originalnimi nadomestnimi deli.** Le tako bo ohranjena nadaljnja varnost orodja.
- b) **Nikdar ne popravljajte poškodovanih akumulatorskih baterij.** Akumulatorske baterije naj popravlja le proizvajalec ali pooblaščen servisier.

VARNOSTNA NAVODILA ZA AKUMULATORSKI UDARNI VIJAČNIK

- **Če izvajate dela, pri katerih bi se lahko s pritrdilnim elementom dotaknili skrite mrežne napeljave, držite električno orodje samo za izolirane ročaje** (stik pritrdilnih elementov z napeljavo, ki je pod napetostjo, lahko povzroči, da so tudi kovinski deli orodja pod napetostjo, kar lahko povzroči električni udar za upravljavca)

SPLOŠNO

- Prah materialov, kot so barve, ki vsebujejo svinec, nekatere vrste lesa, mineralov ali kovin so lahko škodljivi (ob stiku ali vdihavanju lahko prah pri delavcu ali pri drugih prisotnih povzroči alergijsko reakcijo in/ali boleznii dihal); **nosite masko za prah in pri delu uporabljajte napravo za odsesavanje prahu, kjer je le-to možno priključiti**
- Nekaterе vrste prahu so klasificirane kot kancerogene (kot npr. prah hrasta in bukke) še posebno ob sočasni uporabi z dodatki za obdelavo lesa; **nosite masko za prah in pri delu uporabljajte napravo za odsesavanje prahu, kjer je le-to možno priključiti**
- Upoštevajte nacionalne zahteve glede prahu za materiale katere želite obdelovati
- **Ne obdelujte materiala, ki vsebuje azbest** (azbest povzroča rakasta obolenja)
- Pred nastavitvijo ali menjavo pribora in pri prenašanju ali shranjevanju orodja zagotovite, da je stikalo B ② v vmesni poziciji (zaklenjeno)

PRIBOR

- SKIL zagotavlja brezhibno delovanje orodja le z uporabo originalnega dodatnega pribora
- Uporabljajte lahko dodatni pribor, katerega dovoljena hitrost je najmanj enaka največji hitrosti orodja

PRED UPORABO

- Izogibajte se poškodb zaradi vijakov, žebeljev ali drugih elementov v obdelovancu; odstranite jih pred začetkom

dela

- **Zavarujte obdelovanec** (obdelovanec stisnjen v prižemi ali primežu je bolj varen kot v roki)
- **Za iskanje skritih električnih, plinskih in vodovodnih cevi uporabite primerne iskalne naprave (detektorje) ali se posvetujte z lokalnimi podjetji** (stik z električnimi vodniki lahko povzroči požar ali električni udar; poškodbe plinovoda lahko povzročijo eksplozijo, vdor v vodovodno omrežje pa materialno škodo ali električni udar)

AKUMULATORJI

- **Priloženi akumulator je delno napolnjen** (če želite zagotoviti polno zmogljivost akumulatorja, ga pred prvo uporabo popolnoma napolnite s polnilnikom za akumulator)
- **S tem orodjem lahko uporabljate samo te akumulatorje in polnilnike**
 - Akumulator SKIL: BR1*31****
 - Polnilnik SKIL: CR1*31****
- Ne uporabljajte poškodovanega akumulatorja; takoj ga je potrebno zamenjati
- Akumulatorja ne razstavlajte
- Orodja/akumulatorja ne izpostavljajte dežju
- Dovoljena temperatura okolice (orodje/polnilec/akumulator):
 - pri polnjenju 4...40°C
 - pri delu -20...+50°C
 - pri skladiščenju -20...+50°C

POJASNILNO OZNAK NA ORODJU/BATERIJI

- 3 Pred uporabo preberite navodila za uporabo
- 4 Baterije lahko pri izpostavljanju odprtemu ognju eksplodirajo, zato jih nikoli ne sežigajte
- 5 Shranjujte orodje, polnilec in akumulator v prostoru, kjer temperatura ne bo preseгла 50°C
- 6 Ne odstranjujte električnega orodja in baterije s hišnimi odpadki

UPORABA

- Kombinirano stikalo za vklop/izklop in nastavev hitrosti A ②
 - hitrost se brezstopenjsko nastavlja od 0 do maksimalne z večjim ali manjšim pritiskom na stikalo A ⑭
- Polnjenje akumulatorja
 - ! **Preberite varnostna opozorila in navodila, priložena polnilniku**
- Odstranitev/namestitev akumulatorja ②
- Namestitev sponke za pas ⑦
 - Sponko za pas G namestite na vrtnalik s priloženim vijakom.
- Indikator stanja akumulatorja ⑧
 - Pritisnite gumb indikatorja stanja akumulatorja H, da prikažete trenutno stanje akumulatorja.
- Menjava smeri vrtenja ⑨
 - v primeru, da preklonik smeri vrtenja ni v pravilnem položaju ni možno vklopiti stikala A ②
 - ! **preklop smeri vrtenja izvesti le pri popolnoma mirujočemu orodju**
- Menjava nastavkov ⑩
 - za odstranitev svedra povlecite zatisno pušo C naprej ②
 - Zatisno pušo C povlecite naprej, vstavite sveder do zaustavitve v nosilec za nastavke in izpustite zatisno pušo C, da blokirate sveder. ⑩a ⑩b ⑩c
 - ! **uporabljajte samo svedre s krogličnim zapiralom;**

druge svedre lahko uporabite z univerzalnim nosilec za nastavke s krogličnim zapiralom ⑩b ! ne uporabljajte nastavke s poškodovanim stebлом

- **Zaščita akumulatorja**
 - Izklopi orodje ali štiti orodje pred izklopom, kadar
 - je obremenitev previsoka
 - temperatura baterije ni v dovoljenem temperaturnem območju od -20 do 50°C
 - litijev ionski akumulator je skoraj prazen (preprečite popolno izpraznitev)
 - ! **po samodejnem izklopu ne pritiskajte stikala za vklop/izklop; baterija se lahko poškoduje**
- Dioda LED F ⑪
 - Dioda LED F se samodejno vklopi, ko vklopite stikalo A ①
- Držanje in vodenje orodja ⑫
 - ! **med delom vedno držite orodje za sivo obarvano mesto oprjema**
 - ventilacijske reže E ② morajo biti nepokrite
 - ne pritiskajte na orodje premočno; pustite da orodje sam opravi delo

UPORABNI NASVETI

- Uporabljajte ustrezne nastavke ⑮
- Pri vijačenju vijaka v les v bližini robu je potrebno predvrtati luknjo, s čimer boste preprečili pokanje lesa
- Za optimalno delo je potreben enakomeren pritisk na orodje, posebno pri odvijanju vijaka
- Pri privijanju vijaka v trd les priporočamo, da najprej izvrtate luknjo
- Za več informacij obiščite spletno stran www.skil.com

VZDRŽEVANJE/SERVISIRANJE

- Orodje ni namenjeno profesionalni uporabi
- Orodje naj bo vedno čisto (še posebej prezračevalne odprtine E ②)
 - ! **pred čiščenjem odstranite akumulator iz orodja**
- Če bi kljub skrbnim postopkom izdelave in preizkušanja prišlo do izpada delovanja orodja, naj popravilo opravi servisna delavnica, pooblaščen za popravila SKILovih električnih orodij
 - pošljite **nerazstavljeno** orodje skupaj s potrdilom o nakupu pri vašemu prodajalcu v najbližjo SKIL servisno delavnico (naslovi, kot tudi spisek rezervnih delov se nahaja na www.skil.com)
- Zavedajte se, da garancija ne vključuje poškodb zaradi preobremenitve orodja ali nepravilne rabe (glede SKILovih garancijskih pogojev obiščite www.skil.com ali povprašajte prodajalca)

OKOLJE

- **Električnega orodja, baterije, pribora in embalaže ne odstranjujte s hišnimi odpadki** (samo za države EU)
 - v skladu z Evropsko direktivo 2012/19/EG o odpadni električni in elektronski opremi in z njenim izvajanjem v nacionalni zakonodaji je treba električna orodja ob koncu njihove življenjske dobe ločeno zbirati in jih predati v postopek okolju prijaznega recikliranja
 - ko je potrebno odstranjevanje, naj vas o načinu spomni simbol ⑥
 - ! **preden akumulator zavrzete, prilepite kontakte z debelejšim izolirnim trakom, da preprečite kratek stik**

HRUP / VIBRACIJA

- Raven zvočnega tlaka tega orodja, ki je bila izmerjena v skladu s standardom EN 62841, je 94,5 dB(A), raven zvočne moči je 105,5 dB(A) (odstopanje K = 3 dB), skupne vrednosti vibracij 14,5 (triosna vektorska vsota; odstopanje K = 1,5 m/s²)
 - Raven oddajanja vibracij je bila izmerjena v skladu s standardiziranimi testi, navedenimi v EN 62841; uporabi jo je mogoče za primerjavo različnih orodij med seboj in za predhodno primerjavo izpostavljenosti vibracijam pri uporabi orodja za namene, ki so omenjeni
 - uporaba orodja za drugačne namene ali uporaba skupaj z drugimi, slabo vzdrževanimi nastavki lahko znatno **poveča** raven izpostavljenosti
 - čas, ko je orodje izklopljeno ali ko teče, vendar z njim ne delamo, lahko znatno **zmanjša** raven izpostavljenosti
- ! pred posledicami vibracij se zaščitite z vzdrževanjem orodja in pripadajočih nastavkov, ter tako, da so vaše roke tople, vaši delovni vzorci pa organizirani**

EST

Akulöökkruvikeeraja

3210

SISSEJUHATUS

- See tööriist on mõeldud kruvide ja poltide kinni- ja lahtikeeramiseks
- Tööriist pole mõeldud professionaalseks kasutamiseks
- Palun lugege käesolev kasutusjuhend hoolikalt läbi ja hoidke alles ③

TEHNILISED ANDMED ①

Max pöördemoment tugeval kruvikeeramisrežiimil ISO 5393 kohaselt : 140Nm

SEADME OSAD ②

- A Lüliti tööriista sisse-/väljalülitamiseks ja kiiruse kontrollimiseks
- B Lüliti pööremissuuna muutmiseks
- C Fikseerimisrõngas
- D Pöörlemisuuna näidik
- E Ohutusavad
- F LED-märgutuli
- G Vööklamber
- H Aku laetuse astme indikaator

OHUTUS

ÜLDISED OHUTUSNÕUDED ELEKTRILISTE TÖÖRIISTADE KASUTAMISEL

⚠ HOIATUS Lugege kõiki hoiatusi, juhiseid, kirjeldusi ja spetsifikatsioone, mis käivad tööriistaga kaasas. Kui kõiki allpool loetletud juhiseid ei õnnestu järgida, võite saada elektrilöögi, võib tekkida tulekahju ja/või saada raskelt vigastada.

Hoidke kõik ohutusnõuded ja juhised edaspidiseks alles.

Allpool kasutatud mõiste "elektriline tööriist" käib võrgutoitega (toitejuhtmega) elektriliste tööriistade ja akutoitega (ilma toitejuhtmeta) elektriliste tööriistade kohta.

1) OHUTUSNÕUDED TÖÖPIIRKONNAS

- a) **Hoidke töökoht puhas ja korras.** Segadus või välgustamata tööpiirkonnad võivad põhjustada õnnetusi.
- b) **Ärge kasutage seadet plahvatusohtlikus keskkonnas, kus leidub tuleohtlikke vedelikke, gaase või tolmu.** Elektrilistest tööriistadest lööb sädemeid, mis võivad tolmu või auru süüdata.
- c) **Kui kasutate elektrilist tööriista, hoidke lapsed ja teised isikud töökohast eemal.** Kui Teie tähelepanu kõrvale juhitakse, võib seade Teie kontrolli alt väljuda.

2) ELEKTRIOHUTUS

- a) **Seadme pistik peab pistikupesaga sobima.** Pistiku kallal ei tohi teha mingeid muudatusi. **Ärge kasutage kaitsemaandusega seadmete puhul adapterpistikuid.** Muutmata pistikud ja sobivad pistikupesad vähendavad elektrilöögi saamise riski.
 - b) **Vältige kehakontakti maandatud pindadega, nagu torud, radiaatorid, pliidid ja külmikud.** Kui Teie keha on maandatud, on elektrilöögi risk suurem.
 - c) **Hoidke seadet vihma ja niiskuse eest.** Kui elektriseadmesse on sattunud vett, on elektrilöögi saamise risk suurem.
 - d) **Ärge kasutage toitejuhet selleks mitte ettenähtud otstarbel seadme kandmiseks, ülesriputamiseks ega pistiku pistikupesast väljatõmbamiseks.** Hoidke toitejuhet kuumuse, õli, teravate servade ja seadme liikuva osade eest. Kahjustatud või keerduläinud toitejuhtmed suurendavad elektrilöögi saamise riski.
 - e) **Kui töötate elektrilise tööriistaga vabas õhus, kasutage ainult selliseid pikendusjuhtmeid, mida on lubatud kasutada ka välistingimustes.** Välistingimustes kasutamiseks sobiva pikendusjuhtme kasutamine vähendab elektrilöögi saamise riski.
 - f) **Kui elektrilise tööriista kasutamine niiskes keskkonnas on vältimatu, kasutage maandusega lekkevoolukaitset.** Maandusega lekkevoolukaitse kasutamine vähendab elektrilöögi ohtu.
- #### 3) INIMESTE TURVALISUS
- a) **Olge tähelepanelik, jälgige, mida Te teete, ning toimige elektrilise tööriistaga töötades mõistlikult.** Ärge kasutage seadet, kui olete väsinud või uimastite, alkoholi või ravimite mõju all. Hetkeline tähelepanematus seadme kasutamisel võib põhjustada tõsiseid vigastusi.
 - b) **Kandke isikukaitsevahendeid ja alati kaitseprille.** Isikukaitsevahendite, nagu tolmu mask, libisemiskindlad turvajalatsid, kaitsekiiver või kuulmiskaitsevahendid, kandmine – sõltuvalt elektrilise tööriista tüübist ja kasutusalaalt – vähendab vigastuste riski.
 - c) **Vältige seadme tahtmatut käivitamist.** Enne pistiku ühendamist pistikupesaga, aku ühendamist seadme külge, seadme ülestõstmist ja kandmist veenduge, et elektriline tööriist on välja lülitatud. Kui hoiate elektrilise tööriista kandmisel sõrme lülilil või ühendate vooluvõrku sisselülitatud seadme, võivad tagajärjeks olla õnnetused.
 - d) **Enne seadme sisselülitamist eemaldage selle küljest reguleerimis- ja mutrivõtmed.** Seadme pöörleva osa küljes olev reguleerimis- või mutrivõti võib põhjustada vigastusi.

- e) **Ärge hinnake end üle. Võtke stabiilne tööasend ja hoidke kogu aeg tasakaalu.** Nii saate seadet ootamatutes olukordades paremini kontrollida.
- f) **Kandke sobivat rõivastust. Ärge kandke laiu riideid ega ehteid. Hoidke juuksed ja rõivad seadme liikuvatest osadest eemal.** Lotendavad riided, ehted või pikad juuksed võivad sattuda seadme liikuvate osade vahele.
- g) **Kui on võimalik paigaldada tolmueemaldus- ja tolmu kogumisseadiseid/seadmeid, veenduge, et need oleksid seadmega ühendatud ja et neid kasutatakse õigesti.** Tolmueemaldusseadise kasutamine vähendab tolmust põhjustatud ohte.
- h) **Ärge muutuge tööriista sagedasest kasutamisest hooletuks ja ärge eirake ohutusnõudeid.** Hooletus võib sekundi murdosa jooksul kaasa tuua raskeid vigastusi.
- 4) ELEKTRILISTE TÖÖRIISTADE HOOLIKAS KÄSITSEMINE JA KASUTAMINE**
- a) **Ärge koormake seadet üle. Kasutage töö tegemiseks selleks ettenähtud elektrilist tööriista.** Sobiva elektrilise tööriistaga töötate paremini ja turvalisemalt ettenähtud võimsusvahemikus.
- b) **Ärge kasutage elektrilist tööriista, mille lüliti on rikkis.** Elektriline tööriist, mida ei ole enam võimalik sisse ja välja lülitada, on ohtlik ning seda tuleb remontida.
- c) **Tõmmake pistik pistikupesast välja ja/või eemaldage seadmest aku, kui on eemaldatav, enne seadme reguleerimist, tarvikute vahetamist ja seadme ärapanekut.** See ettevaatusabinõu väldib seadme tahtmatut käivitamist.
- d) **Kasutusvähel ajal hoidke elektrilisi tööriistu lastele kättesaamatult. Ärge laske seadet kasutada isikutel, kes seda ei tunne või pole siintoodud juhiseid lugenud.** Kogenematute kasutajate käes kujutavad elektrilised tööriistad ohtu.
- e) **Hoolitsege elektriliste tööriistade ja tarvikute eest korralikult. Kontrollige, kas seadme liikuvad osad funktsioneerivad korralikult ja ei kiildu kinni, ning ega mõned osad ei ole katki või sel määral kahjustatud, et võiksid mõjutada seadme töökindlust. Laske kahjustatud osad enne seadme kasutamist parandada.** Paljude õnnetuste põhjuseks on halvasti hooldatud elektrilised tööriistad.
- f) **Hoidke lõiketarvikud teravad ja puhtad.** Hoolikalt hoitud, teravate lõikeservadega lõiketarvikud kiilduvad harvemini kinni ja neid on lihtsam juhtida.
- g) **Kasutage elektrilist tööriista, lisavarustust, tarvikuid jne vastavalt siintoodud juhistele. Arvestage seejuures töötingimuste ja teostatava töö iseloomuga.** Elektriliste tööriistade kasutamine mitte ettenähtud otstarbel võib põhjustada ohtlikke olukordi.
- h) **Hoidke käepidemed ja haardepinnad kuiva ja puhtana ning vabana õlist ja määrdeainetest.** Libedad käepidemed ja haardepinnad ei luba tööriista ohutult käsitseda ja ootamatutes olukordades kontrolli all hoida.
- 5) AKUTÖÖRIISTADE HOOLIKAS KÄSITSEMINE JA KASUTAMINE**
- a) **Laadige akusid ainult tootja poolt soovitatud akulaadijaga.** Akulaadija, mis sobib teatud tüüpi akudele, muutub tuleohtlikuks, kui seda kasutatakse teiste akudega.
- b) **Kasutage elektrilistes tööriistades ainult selleks ettenähtud akusid.** Teiste akude kasutamine võib põhjustada vigastusi ja tulekahjuohtu.
- c) **Hoidke kasutusel mitteolevad akud eemal kirjajlambritest, müntidest, võtmetest, naeltest, kruvidest või teistest väikestest metallsemetest, mis võivad kontaktid omavahel ühendada.** Akukontaktide vahel tekkiva lühise tagajärjeks võivad olla põletused või tulekahju.
- d) **Väärkasutuse korral võib akuedelik välja voolata. Vältige sellega kokkupuudet. Juhusliku kokkupuute korral loputage kahjustatud kohta veega. Kui vedelik satub silma, pöörduge lisaks arsti poole.** Väljavoolav akuedelik võib põhjustada nahaärritusi või põletusi.
- e) **Ärge kasutage akut ega tööriista, mis on kahjustatud saanud või mida on modifitseeritud.** Kahjustada saanud või modifitseeritud akud võivad põhjustada tulekahju, plahvatuse, kehavigastusi ja varalist kahju.
- f) **Kaitske akut ja elektrilist tööriista leekide ja väga kõrgete temperatuuride eest.** Kokkupuude leekidega või üle 130°C temperatuuriga võib põhjustada plahvatuse.
- g) **Järgige kõiki laadimisjuhiseid ja ärge laadige akut väljaspool juhistes määratletud temperatuurivahemikku.** Nõuetele mittevastav laadimine või laadimine väljaspool ettenähtud temperatuurivahemikku võib akut kahjustada ja suurendada tulekahju ohtu.
- 6) TEENINDUS**
- a) **Laske seadet parandada ainult kvalifitseeritud spetsialistidel ja ainult originaalvaruosadega.** Nii tagate seadme püsimise turvalisena.
- b) **Ärge kunagi käideldge kahjustatud saanud akusid.** Akusid võivad käidelda vaid tootja esindajad või volitatud hooldekeskuse töötajad.

OHUTUSJUHISED AKULÖÖKKRUVIKEERAJA KOHTA

- **Hoidke elektritööriista kinni isoleeritud haardepinnast, kuna lint võib puutuda kokku tööriista enda juhtmega** (voolu all oleva juhtme lõikamisel võivad elektritööriista metallosal pingestuda ja anda operaatorile elektrilöögi)

ÜLDIST

- Värviga kaetud juhtmed, mõned puiduliigid, mineraalid ja metall eraldavad tolmu, mis võib olla kahjulik (kokkupuude tolmuuga või selle sissehingamine võib seadme kasutajal või läheduses viibivatel inimestel põhjustada allergilisi reaktsioone ja/või hingamisteede haigusi); **kandke tolmumaski ja vajaduse korral töötage külgeühendatava tolmueemaldusseadmega**
- Teatud tüüpi tolm on klassifitseeritud kantserogeenina (nt tammest ja kasest eralduv tolm), eriti koos puidu niiskuse reguleerimiseks kasutatavate lisanditega; **kandke tolmumaski ja vajaduse korral töötage külgeühendatava tolmueemaldusseadmega**
- Erinevate materjalide töötlemisel tekkiva tolmu käitlemisel tuleb järgida kehtivaid nõudeid
- **Asbestisisaldava materjali töötlemine on keelatud** (asbest võib tekitada vähki)
- Enne seadistustööde tegemist seadme kallal ning tarvikute vahetust, samuti enne seadme transportimist ja hoiustamist veenduge, et lüliti B ② oleks keskasendis (lukustatud asendis)

TARVIKUD

- SKIL tagab seadme häireteta töö üksnes originaaltarvikute kasutamisel
- Kasutage vaid neid tarvikuid, mille lubatud pöörete arv on vähemalt sama suur nagu maksimaalsed tühikäigupöörded

ENNE KASUTAMIST

- Vältige töödeldavas esemes olevatest kruvidest, naeltest vms põhjustatud kahjustusi; eemaldage need enne töö alustamist
- **Fikseerige toorik** (fiksaatoriga kinnitatud või kruustangide vahele pandud toorik püsib kindlamini paigal kui lihtsalt käega hoides)
- **Varjatult paiknevate elektrijuhtmete, gaasi- või veetorude avastamiseks kasutage sobivaid otsimisseadmeid või pöörduge kohaliku elektri-, gaasi- või vee-ettevõtte poole** (kokkupuutel elektrijuhtmetega tulekahju- ja elektrilöögioht; gaasitorustiku vigastamisel plahvatusoht; veetorustiku vigastamisel materiaalne kahju või elektrilöögioht)

AKUD

- **Kaasasolev aku on osaliselt laetud** (aku täisjõudluse tagamiseks laadige aku enne elektrilise tööriista esimest kasutamist akulaadijas korralikult täis)
- **Kasutage selle tööriistaga ainult järgmised akusid ja laadijaid**
 - SKILi aku: BR1*31****
 - SKILi laadija: CR1*31****
- Ärge kasutage kahjustatud akusid, vaid vahetage need kohe välja
- Ärge võtke akut lahti
- Ärge jätke tööriista/akut vihma kätte
- Ümbritseva keskkonna lubatud temperatuur (tööriista/laadijat/akut):
 - laadimisel 4...40°C
 - töötamisel -20...+50°C
 - säilitamisel -20...+50°C

TÖÖRIIST/AKUL OLEVATE SÜMBOLITE SELGITUS

- ③ Enne kasutamist tutvuge kasutusjuhendiga
- ④ Tulle visatud akud plahvatavad, seepärast ei tohi akut mingil põhjusel põletada
- ⑤ Hoidke tööriista/laadijat/akut toatemperatuuril vahemikus 0° kuni 50°C
- ⑥ Ärge visake kasutuskoõlbmatuks muutunud elektrilisi tööriistu ja patareisid ära koos olmejäätmetega

KASUTAMINE

- Kombinatsioonlülitit sisse-/väljalülitamiseks ning kiiruse kontrolliks A ②
- avaldades lülile A¹⁴ suuremat või väiksemat survet, saab kiirust sujuvalt reguleerida nullist kuni maksimaalsete pööreteni
- Aku laadimine
! lugege laadijaga kaasasolevaid ohutushoiatusi ja juhiseid
- Aku eemaldamine/paigaldamine ②
- Rihma klambri paigaldamine ⑦
 - kinnitage rihma klamber G puuri külge kaasasoleva kruviga.
- Aku laetuse astme näidik ⑧
 - vajutage aku täitetaseme nuppu H, et näha aku täitetaset antud hetkel.

- Pöörlemissuuna ümberlülitamine ⑨
 - kui lüliti ei ole korralikult fikseerunud vasakus/paremas asendis, ei ole võimalik tööülilile A ② vajutada
! pöörlemissuunda tohib muuta üksnes siis, kui seade on täielikult seiskunud
- Otsakute vahetamine ⑩
 - otsaku eemaldamiseks tõmmake fikseerimisrõngast C ette ②
 - tõmmake fikseerimisrõngast C ette, sisestage otsak otsaku hoidikus olevale stopperile ja vabastage otsaku lukustamiseks fikseerimisrõngas C. ⑩a ⑩b ⑩c
! kasutage ainult kuulfiksaatoritega otsakuid, teisi otsakuid võib kasutada kuulfiksaatoriga ⑩b universaalse otsaku hoidikuga
 - ! ärge kasutage kahjustatud varrega otsakuid**
- Aku kaitse
 - Lülitab tööriista välja või takistab tööriista käivitamist, kui - koormus on liiga kõrge
 - aku temperatuur ei ole lubatud töötemperatuuri vahemiku -20 kuni +50°C piires
 - liitium-ioonaku on peaaegu tühi (et kaitsta ülemäärase tühjenemise eest)
 - ! ärge vajutage enam lülilite (sisse/välja), kui tööriist on end automaatselt välja lüütanud, sest see võib akut kahjustada**
- LED-märgutuli F ⑪
 - LED-märgutuli F lülitub lüliti A ⑪ aktiveerimisel automaatselt sisse
- Tööriista hoidmine ja juhtimine ⑫
 - ! töötamise ajal hoidke tööriista kinni korpuse ja käepideme halli värvi osadest**
 - hoidke õhutusavad E ② kinnikatmata
 - ärge suruge tööriistale liigselt; laske sellel enda heaks töötada

TÖÖJUHISED

- Kasutage sobivaid otsakuid ⑮
- Kruvi keeramisel puidu otsapiirkonda on soovitatav akte puurida, et vältida puidu lõhenemist
- Tööriista optimaalseks kasutamiseks on vajalik pidev surve kruvile, eriti kruvi väljakeeramisel
- Kruvi keeramisel kõvasse puitu on soovitatav auk ette puurida
- Lisateavet lugege aadressilt www.skil.com

HOOLDUS/TEENINDUS

- Tööriist pole mõeldud professionaalseks kasutamiseks
- Hoidke tööriist alati puhtana (eriti ventilatsiooniväde E ②)
! enne puhastamist eemaldage tööriistast aku
- Tööriist on hoolikalt valmistatud ja testitud; kui tööriist sellest hoolimata rikki läheb, tuleb see lasta parandada SKILi elektriliste käsitööriistade volitatud remonditöökojas
 - toimetage **lahtimonteerimata** seade koos ostukviitungiga tarnijale või lähimasse SKILi lepingulisse töökotta (aadressid ja tööriista varuosade joonise leiata aadressil www.skil.com)
- Arvestage sellega, et garantii ei hõlma seadme ülekoormamisest või ebaõigest käsitsemisest tulenevaid kahjustusi (teavet SKILi garantiitingimuste kohta vaadake veebilehelt www.skil.com või küsige kohalikul müügiesindajalt)

KESKKOND

- **Ärge visake kasutuskõlmatuks muutunud elektrilisi tööriistu, patareisid, lisatarvikuid ja pakendeid ära koos olmejäätmetega** (Üksnes EL liikmesriikidele)
 - vastavalt Euroopa Parlamendi ja nõukogu direktiivile 2012/19/EÜ elektri- ja elektroonikaseadmete jäätmete kohta ning direktiivi nõuete kohaldamisele liikmesriikides tuleb kasutuskõlmatuks muutunud elektrilised tööriistad koguda eraldi ja keskkonnasäästlikult korduvkasutada või ringlusse võtta
 - seda meenutab Teile sümbol ⑥
- ! **enne aku kahjutustamist katke selle otsad kaitseks tugeva teibiga, et vältida lühisahela teket**

MÜRA / VIBRATSIOON

- Standardiga EN 62841 kooskõlas mõõdetud tööriista helirõhu tase on 94,5 dB(A) ja helivõimsuse tase 105,5 dB(A) (määramatus K = 3 dB), ja vibratsioon 14,5 m/s² (ruumiliste vektorite summa; mõõtemääramatus K = 1,5 m/s²)
- Tekkiva vibratsiooni tase on mõõdetud vastavalt standardis EN 62841 kirjeldatud standarditud testile; seda võib kasutada tööriistade võrdlemiseks ja tööriista kasutamisel ettenähtud töödeks esineva vibratsiooni esialgseks hindamiseks
 - tööriista kasutamisel muudeks rakendusteks või teiste/halvasti hooldatud tarvikute kasutamisel võib vibratsioon märkimisväärselt **suurendada**
 - ajal, kui tööriist on väljalülitatud või on küll sisselülitatud, kuid tegelikult seda ei kasutata, võib vibratsioon märkimisväärselt **vähendada**
- ! **enda kaitsmiseks vibratsiooni eest hooldage tööriista ja selle tarvikuid korralikult, hoidke oma käed soojad ja tagage sujuv töökorraldus**

LV

Akumulatora triecienskrüvgriezis

3210

IEVADS

- Šis instruments paredzēts skrūvju un bultskrūvju ieskrūvēšanai un izskrūvēšanai
- Šis darbarīks nav paredzēts profesionālai lietošanai
- Izlasiet un saglabājiet šo pamācību ③

TEHNISKIE PARAMETRI ①

Maks. griezes moments cietam skrūvēšanas režīmam atbilstoši standartam ISO 5393 : 140Nm

INSTRUMENTA ELEMENTI ②

- A Ieslēdzējs un griešanās ātruma regulators
- B Griešanās virziena pārslēdzējs
- C Fiksējošā uzmava
- D Indikators, kas norāda izvēlēto rotācijas virzienā
- E Ventilācijas atveres
- F Gaismas indikators
- G Jostas klipsis
- H Akumulatora uzlādes pakāpes indikators

DROŠĪBA

VISPĀRĒJIE NOTEIKUMI ELEKTROINSTRUMENTU DROŠAI LIETOŠANAI

⚠ BRĪDINĀJUMS Iepazīstieties ar visiem šī elektroinstrumenta drošas lietošanas noteikumiem, norādījumiem, attēliem un specifiskajām. Visu turpmāk sniegto norādījumu neizpildes rezultātā lietotājs var ciest no elektrošoka, var izvērsties ugunsnelaime un/vai rasties smagi ievainojumi.

Saglabājiet visus noteikumus un norādījumus turpmākai atsaucēi.

Noteikumos minētais termins "elektroinstruments" nozīmē ar strāvu darbināmu (ar vadu aprīkotu) vai ar akumulatoru darbināmu (bezvadu) elektroinstrumentu.

1) DROŠĪBA DARBA VIETĀ

- a) **Sekojet, lai darba vieta būtu tīra un sakārtota.** Nekārtīgā darba vietā vai sliktā apgaismojumā var viegli notikt nelaimes gadījums.
- b) **Nelietojiet elektroinstrumentu eksplozivā vai ugunsnedrošu vielu tuvumā un vietās ar paaugstinātu gāzes vai putekļu saturu gaisā.** Darba laikā instruments nedaudz dzirksteļo, un tas var izsaukt viegli degošu putekļu vai tvaiku aizdegšanos.
- c) **Lietojot elektroinstrumentu, nelaujiet nepiederošām personām un jo īpaši bērniem tuvoties darba vietai.** Citu personu klātbūtnē var novērst uzmanību, un tā rezultātā jūs varat zaudēt kontroli pār instrumentu.

2) ELEKTRODROŠĪBA

- a) **Elektroinstrumenta kontaktdakšai jābūt piemērotai elektrotīkla kontaktligzdai. Kontaktdakšas konstrukciju nedrīkst nekādā veidā mainīt. Nelietojiet kontaktdakšas salāgotājus, ja elektroinstruments caur kabeli tiek savienots ar aizsargzemējuma ķēdi.** Neizmainītas konstrukcijas kontaktdakša, kas piemērota kontaktligzdai, ļauj samazināt elektriskā trieciena saņemšanas risku.
- b) **Darba laikā nepieskarieties saņemtiem priekšmetiem, piemēram, caurulēm, radiatoriem, plītim vai ledusskapjiem.** Pieskaroties saņemtiem virsmām, pieaug risks saņemt elektrisko triecienu.
- c) **Nelietojiet elektroinstrumentu lietus laikā, neturiet to mitrumā.** Mitrumam iekļūstot instrumentā, pieaug risks saņemt elektrisko triecienu.
- d) **Nenesiet un nepiekariet elektroinstrumentu aiz elektrokabeļa. Neraujiet aiz kabeļa, ja vēlaties atvienot instrumentu no elektrotīkla kontaktligzdas. Sargājiet elektrokabeļi no karstuma, eļļas, asām šķautnēm un instrumenta kustīgajām daļām.** Bojāts vai samezģlojies elektrokabeļis var būt par cēloni elektriskajam triecienam.
- e) **Darbinot elektroinstrumentu ārpus telpām, izmantojiet tā pievienošanai vienīgi tādus pagarinātājkabeļus, kuru lietošana ārpus telpām ir atļauta.** Lietojot elektrokabeļi, kas piemēroti darbam ārpus telpām, samazinās risks saņemt elektrisko triecienu.
- f) **Ja elektroinstrumentu tomēr nepieciešams lietot vietās ar paaugstinātu mitrumu, izmantojiet tā**

pievienošanai noplūdes strāvas aizsargreleju.

Lietojot noplūdes strāvas aizsargreleju, samazinās risks saņemt elektrisko triecienu.

3) PERSONISKĀ DROŠĪBA

- a) **Darba laikā saglabājiet paškontroli un rīkojieties saskaņā ar veselo saprātu. Pārtrauciet darbu, ja jūtaties noguris vai atrodaties alkohola, narkotiku vai medikamentu izraisītā reibumā.** Strādājot ar elektroinstrumentu, pat viens neuzmanības mirklis var būt par cēloni nopietnam savainojumam.
- b) **Izmantojiet individuālos darba aizsardzības līdzekļus un darba laikā vienmēr nēsājiet aizsargbrilles.** Individuālo darba aizsardzības līdzekļu (putekļu maskas, neslidošu apavu un aizsargķiveres vai ausu aizsargu) pielietošana atbilstoši elektroinstrumenta tipam un veicamā darba raksturam ļauj izvairīties no savainojumiem.
- c) **Nepieļaujiet elektroinstrumenta patvaļīgu ieslēgšanos. Pirms elektroinstrumenta pievienošanas elektrotīklam, akumulatora ievietošanas vai izņemšanas, kā arī pirms elektroinstrumenta pārņemšanas pārliecinieties, ka tas ir izslēgts.** Pārņemot elektroinstrumentu, ja pirksts atrodas uz ieslēdzēja, kā arī pievienojot to elektrobarošanas avotam laikā, kad elektroinstrumenta ir ieslēgts, var viegli notikt nelaimes gadījums.
- d) **Pirms instrumenta ieslēgšanas neaizmirstiet izņemt no tā regulējošos instrumentus vai skrūvjatslēgas.** Patronatslēga vai skrūvjatslēga, kas instrumenta ieslēgšanas brīdī nav izņemta no tā, var radīt savainojumu.
- e) **Strādājot ar elektroinstrumentu, ieturiet stingru stāju. Darba laikā vienmēr saglabājiet līdzsvaru un centieties nepaslidēt.** Tas atvieglos instrumenta vadību neparedzētās situācijās.
- f) **Izvēlieties darbam piemērotu apģērbu. Darba laikā nenēsājiet brīvi plandošas drēbes un rotaslietas. Netuviniet garus matus un drēbes elektroinstrumenta kustīgajām daļām.** Vaļīgas drēbes, rotaslietas un gari mati var iekļerties instrumenta kustīgajās daļās.
- g) **Ja elektroinstrumenta konstrukcija ļauj tam pievienot ārējo putekļu uzsūkšanas vai savākšanas/uzkrāšanas ierīci, sekojiet, lai tā tiktu pievienota elektroinstrumentam un pareizi darbotos.** Pielietojot putekļu uzsūkšanu vai savākšanu/uzkrāšanu, samazinās to kaitīgā ietekme uz strādājošās personas veselību.
- h) **Nepaļaujieties uz iemaņām, kas tiek iegūtas, bieži lietojot instrumentus, neiesligstiet pašapmierinātībā un neignorējiet instrumenta drošas lietošanas principus.** Neuzmanīgas rīcības dēļ dažās sekundes daļās var gūt nopietnu savainojumu.
- 4) **ELEKTROINSTRUMENTU LIETOŠANA UN APKOPE**
 - a) **Nepārslogojiet elektroinstrumentu. Katram darbam izvēlieties piemērotu instrumentu.** Elektroinstrumentus darbosies labāk un drošāk pie nominālās slodzes.
 - b) **Nelietojiet elektroinstrumentu, ja ir bojāts tā ieslēdzējs.** Elektroinstrumenta, ko nevar ieslēgt un izslēgt, ir bīstams lietošanai un to nepieciešams remontēt.
 - c) **Pirms elektroinstrumenta apkopes, regulēšanas vai darbinstrumenta nomainas atvienojiet tā kontaktdakšu no barojošā elektrotīkla vai izņemiet**

no tā akumulatoru, ja tas ir izņemams. Šādi iespējams samazināt elektroinstrumenta nejausās ieslēgšanās risku.

- d) **Elektroinstrumentu, kas netiek darbināts, uzglabājiet piemērotā vietā, kur tas nav sasniedzams bērniem un personām, kuras neprot rīkoties ar instrumentu.** Ja elektroinstrumentu lieto nekompetentas personas, tas var apdraudēt cilvēku veselību.
- e) **Savlaicīgi apkalpojiet elektroinstrumentus un to piederumus. Pārbaudiet, vai kustīgās daļas darbojas bez traucējumiem un nav iespīlētas, vai kāda no daļām nav salauzta vai bojāta, vai katra no tām pareizi funkcionē un pilda tai paredzēto uzdevumu. Nodrošiniet, lai bojātas daļas tiktu savlaicīgi nomainītas vai remontētas pilnvarotā remonta darbnīcā.** Daudzi nelaimes gadījumi notiek tāpēc, ka elektroinstrumentus pirms lietošanas nav pienācīgi apkalpoti.
- f) **Savlaicīgi notīriet un uzasiniet griezošos darbinstrumentus.** Rūpīgi kopti instrumenti, kas apgādāti ar asiem griezējinstrumentiem, ļauj strādāt daudz ražīgāk un ir vieglāk vadāmi.
- g) **Lietojiet vienīgi tādu elektroinstrumentus, papildiederumus, darbinstrumentus utt., kas paredzēti attiecīgajam pielietojuma veidam. Bez tam jāņem vērā arī konkrētie darba apstākļi un pielietojuma īpatnības.** Elektroinstrumentu lietošana citiem mērķiem, nekā to ir paredzējis ražotājs, ir bīstama un var novest pie neparedzamām sekām.
- h) **Uzturiet elektroinstrumenta rokturus un noturvirsmas sausas un tīras, sargājiet tās no eļļas un smērvielām.** Slideni rokturi un noturvirsmas traucē efektīvi rīkoties ar elektroinstrumentu un to droši vadīt neparedzētās situācijās.
- 5) **AKUMULATORA ELEKTROINSTRUMENTU LIETOŠANA**
 - a) **Akumulatoru uzlādei lietojiet tikai tādu uzlādes ierīci, ko ir ieteikusi elektroinstrumenta ražotājs.** Katra uzlādes ierīce ir paredzēta tikai noteikta tipa akumulatoram, un mēģinājums to lietot cita tipa akumulatoru uzlādei var novest pie uzlādes ierīces un/ vai akumulatora aizdegšanās.
 - b) **Pievienojiet elektroinstrumentam tikai tādu akumulatoru, ko ir ieteikusi instrumenta ražotājs.** Cita tipa akumulatoru lietošana var novest pie elektroinstrumenta un/vai akumulatora aizdegšanās.
 - c) **Laikā, kad akumulators ir atvienots no elektroinstrumenta, nepieļaujiet, lai tā kontakti saskartos ar saspraudēt, monētām, atslēgām, naglām, skrūvēm vai citiem nelieliem metāla priekšmetiem, kas varētu izraisīt īsslēgumu.** Īsslēgums starp akumulatora kontaktiem var izsaukt tā aizdegšanos un būt par cēloni ugunsgrēkam.
 - d) **Nepareizi lietojot akumulatoru, no tā var izplūst šķidrās elektrolīts. Nepieļaujiet, ka elektrolīts nonāktu saskarē ar ādu. Ja tas tomēr nejausi ir ierīcē, noskalojiet elektrolītu ar ūdeni. Ja elektrolīts nonāk acīs, nekavējoties griezieties pie ārsta.** No akumulatora izplūdušais elektrolīts var izsaukt ādas iekaisumu vai pat apdegumu.
 - e) **Nelietojiet akumulatoru vai elektroinstrumentu, ja tas ir bojāts vai modificēts. Bojāti vai modificēti**

akumulatori var radīt neparedzētas situācijas, kuru rezultātā var notikt aizdegšanās vai sprādziens, kā arī var rasties savainojuma risks.

- f) **Neturiet elektroinstrumentu vai akumulatoru uguns tuvumā vai vietā ar augstu temperatūru.** Elektroinstrumenta vai akumulatora atrašanās uguns tuvumā vai vietā, kur temperatūra pārsniedz 130°C, var izraisīt sprādzienu.
- g) **Levējot visas uzlādes instrukcijas un neuzlādējiet akumulatoru vai elektroinstrumentu pie temperatūras, kas atrodas ārpus instrukcijā norādīto pieļaujamo temperatūras vērtību diapazona robežām.** Uzlādējot akumulatoru neatbilstošā veidā vai pie temperatūras, kas atrodas ārpus pieļaujamo temperatūras vērtību diapazona robežām, tas var tikt bojāts, kā arī var pieaugt aizdegšanās risks.
- 6) **APKALPOŠANA**
- a) **Nodrošiniet, lai Instrumenta remontu veiktu kvalificēts personāls, nomaīnai izmantojot oriģinālās rezerves daļas un piederumus.** Tikai tā iespējams panākt instrumenta ilgstošu un nevainojamu darbību bez atteikumiem.
- b) **Nekādā gadījumā neveiciet bojātu akumulatoru apkalpošanu.** Akumulatoru apkalpošanu drīkst veikt tikai ražotājfirma vai pilnvarots servisa speciālists.

DROŠĪBAS NORĀDĪJUMI BEZVADU AKUMULATORA TRIECIENSKRŪVGRĪEŽIEM

- **Veicot darbu, kura laikā stiprinājums var skart slēptus elektriskos vadus, turiet instrumentu tikai aiz izolētajām virsmām** (stiprinājumiem skarot spriegumnesošos vadus, spriegums nonāk arī uz instrumenta metāla daļām un var izraisīt elektrisku triecienu)

VISPĀRĒJA INFORMĀCIJA

- **Materiāla, piemēram svīnu saturošas krāsas, dažu koka šķirņu, minerālu un metāla, putekļi var būt kaitīgi** (saskare ar putekļiem vai to ieelpošana var izraisīt alerģiskas reakcijas un/vai elpošanas ceļu saslimšanas operatoram vai klātesošajiem); **izmantojiet putekļu masku un putekļsūcēju, ja to iespējams pievienot**
- Dažu veidu putekļi ir klasificēti kā kancerogēni (piemēram, ozola vai dižskābarža putekļi), jo īpaši apvienojumā ar koksnes kondicionēšanas piedevām; **izmantojiet putekļu masku un putekļsūcēju, ja to iespējams pievienot**
- Ievērojiet ar putekļu savākšanu saistītos nacionālos noteikumus, kas attiecas uz apstrādājamajiem materiāliem
- **Neapstrādājiet materiālus, kas satur azbestu** (azbestam piemīt kancerogēnas īpašības)
- Pirms regulēšanas vai piederumu nomaiņas, kā arī, pārnesot vai uzglabājot instrumentu, pārliecinieties, ka tā pārslēdzējs B ② atrodas vidējā (neitrālā) stāvoklī

PIEDERUMI

- Firma SKIL garantē instrumenta nevainojamu darbību tikai tad, ja tiek lietoti oriģinālie papildiederumi
- Lietojiet tikai tādus darbinstrumentus, kuru pieļaujamais darbības ātrums ir vismaz tikpat liels, kā instrumenta maksimālais brīvgaitas ātrums

PIRMS DARBA UZSĀKŠANAS

- Izvairieties no instrumenta bojājumiem, ko var radīt apstrādājamajā priekšmetā esošās skrūves, naglas vai citi līdzīgi objekti; pirms darba uzsākšanas atbrīvojiet apstrādājamo materiālu no šādiem priekšmetiem
- **Nostipriniet apstrādājamo detaļu** (to ir drošāk nostiprināt ar spailēm vai skrūvspīlēm, nevis turēt rokā)
- **Ar piemērota metālmeklētāja palīdzību pārbaidiet, vai apstrādes vietu nešķērso slēptas elektropārvades līnijas, kā arī gāzes vai ūdens caurules; šaubu gadījumā griezieties vietējā komunālās saimniecības iestādē** (darbinstrumentam skarot elektrotīkla fāzes līniju, var izcelties ugunsgrēks un strādājošais var saņemt elektrisko triecienu; gāzes vada bojājums var izraisīt sprādzienu; darbinstrumentam skarot ūdensvada cauruli, var tikt bojātas materiālās vērtības un strādājošais var saņemt elektrisko triecienu)

AKUMULATORI

- **Komplektā iekļautais akumulators ir daļēji uzlādēts** (lai nodrošinātu pilnu akumulatora jaudu, pirms elektroinstrumenta pirmās izmantošanas reizes uzlādējiet to pilnībā, izmantojot uzlādes ierīci)
- **Izmantojiet tikai instrumenta piegādes komplektā ietilpstošos akumulatorus un uzlādes ierīces**
 - SKIL akumulators: BR1*31****
 - SKIL uzlādes ierīce: CR1*31****
- Nelietojiet bojātu akumulatoru; tas nekavējoties jānomaina
- Neizjauciet akumulatoru
- Neatstājiet instrumentu/akumulatoru lietū
- Pieļaujamā apkārtējā gaisa temperatūra (instruments/lādētājs/akumulators):
 - uzlādes laikā 4...40°C
 - darba laikā -20...+50°C
 - uzglabāšanas laikā -20...+50°C

UZ INSTRUMENTA/AKUMULATORA ATTĒLOTO SIMBOLU SKAIDROJUMS

- ③ Pirms izstrādājuma lietošanas izlasiet tā lietošanas pamācību
- ④ Nekādā gadījumā neievietojiet akumulatoru ugunī, jo tas var izraisīt sprādzienu
- ⑤ Uzglabājiet instrumentu, uzlādes ierīci un akumulatoru vietā, kur temperatūra nepārsniedz 50°C
- ⑥ Neizmetiet elektroiekārtas un baterijas ar sadzīves materiālus atkritumu

DARBS

- Kombinētais ieslēdzējs un darbvārpstas griešanās ātruma regulēšana A ②
 - izmainot spiedienu uz ieslēdzēju A④, plūstoši regulējiet darbvārpstas griešanās ātrumu no nulles vērtības līdz maksimālajai
- Akumulatora uzlādēšana
- ! **izlasiet uzlādes ierīces komplektā iekļautos drošas lietošanas noteikumus un norādījumus**
- Akumulatora izņemšana/ievietošana ②
- Jostas klipša piestiprināšana ⑦
 - piestipriniet jostas klipsi G urbim, izmantojot komplektā iekļauto skrūvi.
- Akumulatora uzlādes pakāpes indikators ⑧
 - lai uzzinātu akumulatora uzlādes līmeni, nospiediet akumulatora līmeņa rādītāja pogu H.
- Griešanās virziena pārslēgšana ⑨

- ja darbvārpstas griešanās virziena pārslēdzējs nav precīzi iestādīts galējā labējā/kreisajā stāvoklī, ieslēdzēju A ② nav iespējams nospiest
- ! **pārslēdziet darbvārpstas griešanās virzienu tikai tad, kad instruments ir pilnībā apstājies**
- Darbinstrumentu nomaīņa ⑩
- lai izņemtu uzgali, pavelciet fiksējošo uznavu C uz priekšu ②
- pavelciet fiksējošo uznavu C uz priekšu, ievietojiet uzgali līdz atdurei uzgaļa turētājā un atbrīvojiet fiksējošo uznavu C, lai nofiksētu uzgali. ⑩a ⑩b ⑩c
- ! **izmantojiet tikai uzgaļus ar sfērisko sprūdu, citus uzgaļus var izmantot, ja lieto universālo uzgaļu turētāju ar sfērisko sprūdu ⑩b**
- ! **neizmantojiet darbinstrumentus ar bojātu kātu**
- Akumulatora aizsardzība
- Izslēdz instrumentu vai novērs darbarīka ieslēgšanos, kad
 - slodze ir pārāk liela
 - akumulatora temperatūra ir ārpus pieļaujamās darba temperatūras diapazona no -20 līdz +50°C
 - litija jonu akumulators ir gandrīz tukšs (lai aizsargātu pret dziļo izlādi)
- ! **pēc instrumenta automātiskas izslēgšanās nedrīkst spiest tā ieslēdzēju, jo tā var sabojāt akumulatoru**
- Gaismas indikatora F ⑪
- LED gaisma F automātiski ieslēdzas, kad tiek aktivizēts slēdzis A ①
- Instrumenta turēšana un vadīšana ⑫
- ! **darba laikā vienmēr turiet instrumentu aiz pelēkās krāsas noturvirsmas(ām)**
- nenosprostojiet instrumenta ventilācijas atveres E ②
- darba laikā pārlietu nespiediet instrumentu; ļaujiet tam darboties nominālā režīmā

APKALPOŠANA / APKOPE

- Lietojiet tikai tādus darbinstrumentus, kuru tips atbilst apstrādājamajam materiālam ⑩
- Veicot skrūves ieskrūvēšanu tuvu koka priekšmeta vai konstrukcijas malai, vispirms ieteicams ieurbt atvērumu, lai novērstu koksnes plaisāšanu
- Lai instrumentu tiktu izmantots optimālā režīmā, ieturiet pastāvīgu spiedienu uz skrūves galvu, īpaši tad, ja skrūve tiek ieskrūvēta
- Veicot skrūves ieskrūvēšanu cietā koksnē, vispirms ieurbiet atvērumu
- Papildu informāciju skatīt tīmekļa vietnē www.skil.com

APKALPOŠANA / APKOPE

- Šis darbarīks nav paredzēts profesionālai lietošanai
- Vienmēr uzturiet instrumentu tīru (īpaši ventilācijas atveres E ②)
- ! **pirms tīrīšanas izņemiet no instrumenta akumulatoru**
- Ja, neraugoties uz augsto izgatavošanas kvalitāti un rūpīgo pērceražošanas pārbaudi, instruments tomēr sabojājas, tas jānogādā remontam firmas SKIL pilnvarotā elektroinstrumentu remonta darbnīcā
 - nogādājiet instrumentu **neizjauktā veidā** kopā ar iegādes dokumentiem tuvākajā tirdzniecības vietā

vai firmas SKIL pilnvarotā pēciegādes apkalpošanas un remonta iestādē (adreses un instrumenta apkalpošanas shēma ir sniegta interneta vietnē www.skil.com)

- Ievērojiet, ka garantijā neietilpst pārslodzes vai nepareizas instrumenta ekspluatācijas izraisītie bojājumi (SKIL garantijas noteikumus skatiet www.skil.com vai vērsieties pie izplatītāja)

APKĀRTĒJĀS VIDES AIZSARDZĪBA

- **Neizmetiet elektroiekārtas, baterijas, piederumus un iesaiņojuma materiālus sadzīves atkritumos** (tikai ES valstīm)
 - saskaņā ar Eiropas Savienības direktīvu 2012/19/ES par nolietotajām elektriskajām un elektroniskajām iekārtām un tās atspoguļojumiem nacionālajā likumdošanā, nolietotās elektroiekārtas ir jāsavāc, jāizjauc un jānogādā atsevišķai pārstrādei apkārtējai videi nekaitīgā veidā
 - īpašs simbols ⑥ atgādina par nepieciešamību izstrādājumus izmantot videi nekaitīgā veidā
 - ! **pirms akumulatora utilizācijas tā kontakti jāaplīmē ar izolācijas lenti, lai nepieļautu īssavienojuma rašanos starp tiem**

TROKSNIS / VIBRĀCIJA

- Veicot mērījumus atbilstoši EN 62841, šī instrumenta akustiskā spiediena līmenis ir 94,5 dB(A), akustiskās jaudas līmenis ir 105,5 dB(A) (nenoteiktība K = 3 dB), bet vibrācija 14,5 m/s² (triaksiālā vektora summa; nenoteiktība K = 1.5 m/s²)
- Vibrācijas līmenis ir noteikts, izmantojot standartā EN 62841 paredzēto procedūru; to var izmantot, lai salīdzinātu instrumentus un provizoriski izvērtētu vibrācijas iedarbību, lietojot instrumentu minētajiem mērķiem
 - instrumenta izmantošana citiem mērķiem vai ar citiem vai nepietiekami koptiem piederumiem var ievērojami palielināt kopējo vibrācijas iedarbības pakāpi
 - laika periodi, kad instruments ir izslēgts vai arī ir ieslēgts, taču darbs ar to nenotiek, var ievērojami samazināt kopējo vibrācijas iedarbības pakāpi
 - ! **pasargājiet sevi no vibrācijas iedarbības, veicot instrumenta un tā piederumu tehnisko apkopi, novēršot roku atdzišanu un pareizi organizējot darbu**

LT

Akumulatorinis smūginis suktuvas

3210

ĪVADAS

- Šis frankis skirtas īgriezti ir atlaisvinti varžtams
- Šis frankis neskirts profesionāliam naudojimui
- Perskaitykite ir išsaugokite šią naudojimo instrukciją ③

TECHNINIAI DUOMENYS ①

Maks. sukimo momentas kietosios jungties atveju pagal ISO 5393 : 140Nm

PRIETAISO ELEMENTAI ②

- A Jungiklis įjungimui/išjungimui ir greičiui valdyti
- B Sukimosi krypties perjungiklis
- C Užraktinis žiedas
- D Indikatorius, nurodantis pasirinktą sukimosi kryptį
- E Ventilacinės angos
- F Šviesos diodas
- G Diržo spaustukas
- H Akumuliatoriaus įkrovos indikatorius

SAUGA

BENDRIEJI ELEKTRINIŲ ĮRANKIŲ SAUGOS ĮSPĖJIMAI

⚠ ĮSPĖJIMAS Perskaitykite visus su šiuo elektriniu prietaisu pateiktus saugos perspėjimus, instrukcijas, paveikslėlius ir specifikacijas. Nepaisant toliau pateiktų instrukcijų galite patirti elektros smūgi, įvykti gaisras ir / ar patirti rimtų sužalojimų.

Išsaugokite visus įspėjimus ir instrukcijas ateičiai.

Terminas „elektros įrankis“ įspėjimuose reiškia jūsų iš elektros tinklo (laidais) maitinamus įrankius arba elektros įrankius, veikiančius nuo baterijų (beleidžius).

1) DARBO VIETOS SAUGUMAS

- a) Darbo vieta turi būti švari ir tvarkinga. Netvarka ar blogai apšviesta darbo vieta gali tapti nelaimingų atsitikimų priežastimi.
- b) Nedirbkite tokioje aplinkoje, kur yra degių skysčių, dujų ar dulkių. Elektriniai įrankiai gali kibirkščiuoti, o nuo kibirkščių dulkės arba susikaupę garai gali užsidegti.
- c) Dirbdami su elektriniu įrankiu neleiskite šalia būti žiūrovams, vaikams ir lankytojams. Nukreipę dėmesį į kitus asmenis galite nebesuvaldyti prietaiso.

2) ELEKTROSAUGA

- a) Maitinimo laido kištukas turi atitikti tinklo rozetės tipą. Kištuko jokių būdų negalima modifikuoti. Nenaudokite jokių kištuko adapterių su žemintais prietaisais. Originalūs kištukai, tiksliai tinkantys elektros tinklo rozetei, sumažina elektros smūgio pavojų.
- b) Venkite kūno kontakto su žemintais paviršiais, tokiais kaip vamzdžiai, šildytuvai, viryklės ar šaldytuvai. Egzistuoja padidinta elektros smūgio rizika, jei Jūsų kūnas bus žemintais.
- c) Saugokite prietaisą nuo lietaus ir drėgmės. Jei vanduo patenka į elektrinį prietaisą, padidėja elektros smūgio rizika.
- d) Nenaudokite maitinimo laido ne pagal paskirtį, t. y. neneškite prietaiso paėmę už laido, nekabinkite prietaiso už laido, netraukite už jo, norėdami išjungti kištuką iš rozetės. Laidą klokite taip, kad jo neveiktų karštis, jis neišsitemptų alyva ir jo nepažeistų aštrios detalės ar judančios prietaiso dalys. Pažeisti arba susipynę laidai gali tapti elektros smūgio priežastimi.
- e) Jei su elektriniu įrankiu dirbate lauke, naudokite tik tokius ilginimo kabelius, kurie tinka lauko darbams. Naudojant lauko darbams pritaikytus ilginimo kabelius, sumažinamas elektros smūgio pavojus.
- f) Jei su elektriniu įrankiu neišvengiamai reikia dirbti drėgnoje aplinkoje, naudokite žeminimo grandinės pertraukiklį. Naudojant žeminimo grandinės

pertraukiklį, sumažėja elektros smūgio pavojus.

3) ŽMONIŲ SAUGA

- a) Būkite atidūs, sutelkite dėmesį į tai, ką Jūs darote ir, dirbdami su elektriniu įrankiu, vadovaukitės sveiku protu. Nedirbkite su prietaisu, jei esate pavargę arba vartojote narkotikus, alkoholį ar medikamentus. Akimirksnio neatidumas naudojant prietaisą gali tapti rimtų sužalojimų priežastimi.
 - b) Naudokite asmenines apsaugos priemones ir visuomet užsidėkite apsauginius akinius. Naudojant asmenines apsaugos priemones, pvz., respiratorių ar apsauginę kaukę, neslystančius batus, apsauginį šalną, klausos apsaugos priemones ir kt., rekomenduojamas dirbant su tam tikros rūšies įrankiais, sumažėja rizika susižeisti.
 - c) Saugokitės, kad neįjungtumėtė prietaiso atsitiktinai. Prieš prijungdami elektrinį įrankį prie elektros tinklo ir/arba akumuliatoriaus, prieš pakeldami ar nešdami įsitinkite, kad jis yra išjungtas. Jeigu nešdami elektrinį įrankį pirštą laikysite ant jungiklio arba prietaisą įjungsite į elektros tinklą, kai jungiklis yra įjungtas, gali įvykti nelaimingas atsitikimas.
 - d) Prieš įjungdami prietaisą pašalinkite reguliavimo įrankius arba veržlių raktus. Prietaiso besisukančioje dalyje esantis įrankis ar raktas gali tapti sužalojimų priežastimi.
 - e) Nepervertinkite savo galimybių. Dirbdami atstokite patikimai ir visada išlaikykite pusiausvyrą. Patikima stovėseną ir tinkamą kūno laikyseną leis geriau kontroliuoti prietaisą netikėtose situacijose.
 - f) Dėvėkite tinkamą aprangą. Nedėvėkite plačių drabužių ir papuošalų. Saugokite plaukus ir drabužius nuo besisukančių elektrinio įrankio dalių. Laisvus drabužius, papuošalus bei ilgus plaukus gali įtraukti besisukančios dalys.
 - g) Jei yra numatyta galimybė prijungti dulkių nusiurbimo ar surinkimo įrenginius, visada įsitinkite, ar jie yra prijungti ir ar teisingai naudojami. Naudojant dulkių nusiurbimo įrenginius sumažėja kenksmingas dulkių poveikis.
 - h) Dažnai naudodami įrankį ir gerai su juo susipažinę pernelyg neatsipalaiduokite ir nepradėkite nepaisyti įrankio saugos principų. Neatidus veiksmas gali sukelti sunkią traumą per sekundės dalį.
- #### 4) RŪPĖSTINGA ELEKTRINIŲ ĮRANKIŲ PRIEŽIŪRA IR NAUDOJIMAS
- a) Neperkraukite prietaiso. Naudokite Jūsų darbui tinkamą elektrinį įrankį. Su tinkamu elektriniu įrankiu Jūs dirbsite geriau ir saugiau, jei neviršysite nurodyto galimumo.
 - b) Nenaudokite elektrinio įrankio su sugedusiu jungikliu. Elektrinis įrankis, kurio nebegalima įjungti ar išjungti, yra pavojingas ir jį reikia remontuoti.
 - c) Prieš reguliuodami prietaisą, keisdami darbo įrankius ar prieš valydami prietaisą, iš elektros tinklo lizdo ištraukite kištuką ir/arba išimkite akumuliatorių, jeigu jis išimamas. Ši saugumo priemonė apsaugos jus nuo netikėto prietaiso išjungimo.
 - d) Nenaudojama prietaisą sandėliuokite vaikams ir nemokantiems juo naudotis asmenims neprieinamoje vietoje. Elektriniai įrankiai yra pavojingi, kai juos naudoja nepatyrę asmenys.
 - e) Prižiūrėkite elektrinį įrankį ir priedus. Tikrinkite, ar

besisukančios prietaiso dalys tinkamai veikia ir niekur neklūva, ar nėra sulūžusių ar šiaip pažeistų dalių, kurios įtakotų prietaiso veikimą. Prieš vėl naudojant prietaisą pažeistos prietaiso dalys turi būti suremontuotos. Daugelio nelaimingų atsitikimų priežastis yra blogai prižiūrimi elektriniai įrankiai.

- f) **Pjovimo įrankiai turi būti aštrūs ir švarūs.** Rūpestingai prižiūrėti pjovimo įrankiai su aštriomis pjaunamosiomis briaunomis mažiau stringa ir juos yra lengviau valdyti.
- g) **Elektrinį įrankį, papildomą įrangą, darbo įrankius ir t. t. naudokite taip, kaip nurodyta šioje instrukcijoje. Taip pat atsižvelkite į darbo sąlygas bei atliekamo darbo pobūdį.** Naudojant elektrinius įrankius ne pagal jų paskirtį galima sukelti pavojingas situacijas.
- h) **Rankenos ir suėmimo paviršiai turi būti sausi, švarūs, ant jų neturi būti alyvos ir tepalų.** Dėl slidžių rankenų ir suėmimo paviršių negalėsite saugiai išlaikyti ir suvaldyti įrankio netikėtose situacijose.
- 5) **RŪPESTINGA AKUMULIATORINIŲ ĮRANKIŲ PRIEŽIŪRA IR NAUDOJIMAS**
- a) **Akumuliatoriaus krovimui naudoti tik tuos įkroviklius, kuriuos rekomenduoja gamintojas.** Naudojant kitokio tipo akumuliatoriams skirtą įkroviklį, kyla gaisro pavojus.
- b) **Su prietaisu galima naudoti tik jam skirtą akumuliatorių.** Naudojant kitokius akumuliatorius atsiranda pavojus susižeisti bei sukelti gaisrą.
- c) **Nelaikykite sąvaržėlių, monetų, raktų, vinių, varžtų ar kitokių metalinių daiktų arti ištraukto iš instrumento akumuliatoriaus kontaktų.** Užtrumpinus akumuliatoriaus kontaktus galima nusideginti ar sukelti gaisrą.
- d) **Netinkamai naudojant akumuliatorių, iš jo gali ištekėti skystis. Venkite kontakto su šiuo skystčiu. Jei skystis pateko ant odos, nuplaukite jį vandeniu, jei pateko į akis - nedelsiant kreipkitės į gydytoją.** Akumuliatoriaus skystis gali sukelti odos sudirginimą ar nudegimus.
- e) **Nenaudokite pažeisto arba perdaryto akumuliatoriaus arba įrankio.** Sugadinti arba perdaryti akumuliatoriai gali veikti nenuspėjamai – sukelti gaisrą, sprogingą arba traumų pavojų.
- f) **Saugokite akumuliatorių arba įrankį nuo ugnies ir aukštos temperatūros.** Patekęs į ugnį arba aukštesnę nei 130°C temperatūrą, jis gali sprogti.
- g) **Vykdykite visas įkrovimo instrukcijas ir nekraukite akumuliatoriaus arba įrankio temperatūroje, neatitinkančioje instrukcijoje nurodyto temperatūros diapazono ribų.** Netinkamai kraunant arba jeigu temperatūra neatitinka nurodyto diapazono ribų, gali sugesti akumuliatorius ir kilti gaisras.
- 6) **APTARNAVIMAS**
- a) **Prietaisą turi remontuoti tik kvalifikuotas specialistas ir naudoti tik originalias atsargines dalis.** Taip galima garantuoti, jog prietaisas išliks saugus.
- b) **Niekada neatikite pažeisto akumuliatoriaus techninės priežiūros.** Akumuliatorių techninė priežiūra turi atlikti tik gamintojas arba įgaliotasis techninės priežiūros atstovas.

AKUMULIATORINIO SMŪGINIO SUKTUVO SAUGOS INSTRUKCIJOS

- **Jei atliekate darbus, kurių metu darbo įrankis gali kliudyti paslėptus elektros laidus, tuomet elektrinį įrankį laikykite už izoliuotų rankenų paviršių** (palietus virtinimo detales, kuriomis teka elektros srovė, metalinėse elektrinio įrankio dalyse gali atsirasti įtampa ir išstikti elektros smūgis)

BENDROJI DALIS

- Kai kurių medžiagų, kaip antai dažų, kurių sudėtyje yra švino, kai kurių medžių rūšių medienos, mineralų ir metalo dulksės gali būti kenksmingos (kontaktas su šiomis dulksėmis arba įkvėptos dulksės gali sukelti operatoriumi arba šalia esantiems žmonėms alergines reakcijas ir/arba kvėpavimo sistemos susirgimus); **mūvėkite priešdulkinę puskaukę arba dirbdami naudokite dulkių ištraukimo įrenginį, jei jį galima prijungti**
- Kai kurių rūšių dulksės priskiriamos kanцерogeninėms (pvz., ažuolo arba buko medienos dulksės), ypač susimaišiusios su medienos taurinimui naudojamais priedais; **mūvėkite priešdulkinę puskaukę arba dirbdami naudokite dulkių ištraukimo įrenginį, jei jį galima prijungti**
- Vadovaukitės Jūsų šalyje taikomų direktyvų reikalavimais, skirtais medžiagoms, su kuriomis norite dirbti
- **Draudžiama apdirbti medžiagas, kurių sudėtyje yra asbesto** (asbestos pasižymi vėžį sukeliančiu poveikiu)
- Prieš atliekant arba buko prietaiso aptarnavimo darbus ar keičiant priedus, jį transportuojant ir sandėliuojant, būtina nustatyti sukimosi krypties perjungiklį B (2) į vidurinę padėtį (įjungimo blokavimas)

PIEDIAI

- SKIL gali garantuoti nepriekaištingą prietaiso veikimą tik tuo atveju, jei naudojama originali papildoma įranga ir priedai
- Leidžiama naudoti tik tokius įrankius, kurių maksimalus leistinas apsisukimų skaičius yra ne mažesnis, nei maksimalus Jūsų prietaiso sukčių skaičius

PIEŠ EKSPLOATACIJĄ

- Saugokite, kad nepažeistumėte prietaiso į ruošinyje esančius varžtus, vinius ir pan; prieš pradėdami darbą juos pašalinkite
- **Saugiai laikykite tvirtinamą dirbinį** (dirbinį, kuris segamas ar kalamas kabų kalimo įrankiais, saugiau laikyti spaustuvu nei ranka)
- **Naudodami tam skirtus paieškos prietaisus, patikrinkite, ar gręžimo vietoje nėra paslėptų komunalinių tinklų vamzdžių, arba pasikvieskite į pagalbą vietinius komunalinių paslaugų tiekėjus** (kontaktas su elektros laidais gali sukelti gaisro bei elektros smūgio pavojų; pažeidus dujotiekio vamzdį, gali įvykti sprogingas; pažeidus vandentiekio vamzdį, galima pridaryti daugybę nuostolių bei sukelti elektros smūgio pavojų)

AKUMULIATORIAI

- **Pridedama baterija yra iš dalies įkrauta** (norint užtikrinti baterijos galingumą, visiškai įkraukite bateriją įkroviklyje prieš pirmą kartą naudodami elektrinį įrankį)
- **Naudokite tik tokias kartu su šiuo prietaisu tiekiamas baterijas**
 - „SKIL“ baterija: BR1*31****
 - „SKIL“ įkroviklis: CR1*31****
- Nenaudokite pažeistų akumuliatorių baterijų, jas būtina tuoj pat pakeisti

- Negalima išmontuoti baterijos
- Jokių būdų nepalikite prietaiso / baterijų, kai lyja
- Leidžiamoji aplinkos temperatūra (prietaiso/kroviklio/akumuliatorių):
 - įkraunant 4...40°C
 - įrankiui veikiant -20...+50°C
 - sandėliuojant -20...+50°C

ANT PRIETAISO/BATERIJOS ESANČIŲ SIMBOLIŲ REIKSMĖS

- ③ Prieš naudodami įrankį perskaitykite instrukcijų vadovą
- ④ Įmesti į ugnį akumuliatoriai sprogs, jų nedeginkite jokiais sumetimais
- ⑤ Patalpos, kurioje laikomas prietaisas, akumuliatorių kroviklis ar akumuliatorius, temperatūra neturi viršyti 50°C
- ⑥ Nemeskite elektrinių įrankių ir baterijos į buitinių atliekų konteinerius

NAUDOJIMAS

- Jungiklis yra skirtas įjungti ir išjungti prietaisą bei reguliuoti greitį A ②
- stipriau ar silpniau spaudžiant jungiklį A⑭, apsisukimų skaičių galima sklandžiai reguliuoti nuo 0 iki maksimalaus
- Akumuliatoriaus įkrovimas
 - ! **Skaitykite saugos įspėjimus ir instrukcijas, pateiktas kartu su įkrovikliu**
- Baterijų išėmimas ir įdėjimas ②
- Diržo spaustuko tvirtinimas ⑦
 - pritvirtinkite diržo spaustuką G prie grąžto su pridėdamu varžtu.
- Akumuliatoriaus įkrovos indikatorius ⑧
 - paspauskite baterijos lygio indikatorius mygtuką H, kad būtų rodomas dabartinis baterijos įkrovos lygis.
- Sukimosi krypties perjungiklis ⑨
 - kol šis perjungiklis neužsifiksavo kairėje arba dešinėje padėtyje, negalėsite nuspausti jungiklio A ②
 - ! **sukimosi kryptį perjungti tik prietaisui visiškai sustojus**
- Antgalių pakeitimas ⑩
 - norėdami nuimti grąžtą C, patraukite fiksavimo rankeną į priekį ②
 - traukite užraktinį žiedą į C priekį, įkiškite grąžtą iki galo į grąžtų laikiklį ir atleiskite užraktinį žiedą, kad C užfiksuotumėte grąžtą. ⑩a ⑩b ⑩c
 - ! **Naudokite tik grąžtus su rutuline tvirtinimo detale. Kitus grąžtus galima naudoti su universalio grąžtų laikikliu su rutuline tvirtinimo detale ⑩b**
 - ! **nenaudokite antgalių su pažeistu kotu**
- Akumuliatoriaus apsauga
 - Įrankį išjungia arba neleidžia įjungti prietaiso, jeigu
 - apkrova yra per didelė
 - akumuliatoriaus temperatūra nėra leistiname darbinės temperatūros diapazone (nuo -20 iki +50°C)
 - beveik išsekus ličio-jonų akumuliatoriui (saugant nuo neleistino iškrovimo)
 - ! **jei instrumentas išsijungė automatiškai, nelaikykite nuspaudę jo jungiklio, nes taip galima sugadinti akumuliatorių**
- Šviesos diodas F ⑪
 - LED lemputė F automatiškai užsidega, kai įjungiamas jungiklis A ①
- Prietaiso laikymas ir valdymas ⑫
 - ! **dirbdami laikykite prietaisą už pilkos spalvos suėmimo vietos(-ų)**

- ventiliacines angas E ② laikykite neuždengtas
- nespauskite įrankį pernelyg stipriai; tegul įrankį dirba už Jus

NAUDOJIMO PATARIMAI

- Naudokite tinkamus darbo antgalius ⑬
- Prieš sukanant varžtą medinio ruošinio pakraštyje, visų pirma reikia išgręžti skylutę, kad medis nesuskiltų
- Norėdami pasiekti optimalius rezultatus, sukdami varžtą (ypač jį išsukdami) pastoviai laikykite prietaisą prispaustą
- Sukant varžtą į kietmedį, prieš tai reikėtų išgręžti skylutę
- Daugiau informacijos rasite internete www.skil.com

PRIEŽIŪRA / SERVISAS

- Šis įrankis neskirtas profesionaliam naudojimui
- Periodiškai valykite prietaisą (ypač ventiliacines angas E ②)
- ! **prieš valant, išimkite bateriją iš įrankio**
- Jeigu prietaisas, nepaisant gamykloje atliekamo kruopštaus gamybos ir kontrolės proceso, vis dėlto sugestų, jo remontas turi būti atliekamas įgaliotose SKIL elektrinių įrankių remonto dirbtuvėse
 - **neišardytą** prietaisą kartu su pirkimo čekiu siųskite tiekėjui arba į artimiausią SKIL firmos įgaliotą elektros prietaisų techninio aptarnavimo tarnybą (adresus bei atsarginių dalių brėžinius rasite www.skil.com)
- Turėkite omeny, kad garantija netaikoma, jei gedimas atsiranda dėl perkrovos ar netinkamo naudojimo (dėl SKIL garantijos sąlygų žr. www.skil.com arba kreipkitės į jus aptarnaujantį prekybos atstovą)

APLINKOSAUGA

- **Nemeskite elektrinių įrankių, baterijos, papildomos įrangos ir pakuotės į buitinių atliekų konteinerius** (galioja tik ES valstybėms)
 - pagal ES Direktyvą 2012/19/EG dėl naudotų elektrinių ir elektroninių prietaisų atliekų utilizavimo ir pagal vietinius valstybės įstatymus atitarnavę elektriniai įrankiai turi būti surenkami atskirai ir gabunami į antrinių žaliavų tvarkymo vietas, kur jie turi būti sunaikinami ar perdirbami aplinkai nekenksmingu būdu
 - apie tai primins simbolis ⑥, kai reikės išmesti atitarnavusį prietaisą
 - ! **prieš išmesdami bateriją apvyniokite jos galus, kad netyčia nekiltų paviršinio nuotėkio srovė**

TRIUKŠMINGUMAS / VIBRACIJA

- Išmatuotas pagal EN 62841, šio instrumento garso slėgio lygis yra 94,5 dB(A), garso galios lygis 105,5 dB(A) (neapibrėžtis K = 3 dB), vibracija 14,5 m/s² (trishaio vektoriaus suma; neapibrėžtis K = 1,5 m/s²)
- Vibracijos sklaidos lygis išmatuotas pagal standarte EN 62841 išdėstytus standartizuoto bandymo reikalavimus; ši vertė gali būti naudojama vienam įrankiui palyginti su kitu bei išankstiniam vibracijos poveikiui įvertinti, kai įrankis naudojamas paminėtais būdais
 - naudojant įrankį kitokiais būdais arba su kitokiais bei netinkamai prižiūrimais priedais, gali žymiai **padidėti** poveikio lygis
 - laikotarpiams, kai įrankis išjungtas arba yra įjungtas, tačiau juo nedirbama, gali žymiai **sumažėti** poveikio lygis

! **apsisaugokite nuo vibracijos poveikio prižiūrėdami įrankį ir jo priedus, laikydami rankas šiltai ir derindami darbo ciklus su pertraukėlėmis**

МК

Ударен завртувач

3210

УПАТСТВО

- Овој алат е наменет за затегање и разлабавување на шrafoви и завртки
- Овој алат не е наменет за професионална употреба
- Внимателно прочитајте го и зачувајте го ова упатство за ракување ③

ТЕХНИЧКИ ПОДАТОЦИ ①

Максимален обрт за примена како шрафцигер според ISO 5393 : 140Nm

ЕЛЕМЕНТИ НА АЛАТОТ ②

- A** Прекинувач за вклучување/исклучување и контрола на брзината
- B** Прекинувач за менување на насоката на вртење
- C** Глава за стегање
- D** Индикатор за избраната насока на ротацијата
- E** Отвори за вентилација
- F** ЛЕД-светилки
- G** Шнола за ременот
- H** Индикатор за нивото на батеријата

БЕЗБЕДНОСТ

ОПШТИ ПРЕДУПРЕДУВАЊА ЗА БЕЗБЕДНОСТ НА ЕЛЕКТРИЧНИТЕ АЛАТИ

⚠ ПРЕДУПРЕДУВАЊЕ Прочитајте ги сите безбедносни предупредувања, упатства, слики и спецификации што се обезбедуваат со овој алат. Непочитувањето на сите упатства подолу може да доведе до електричен удар, пожар и/или сериозна повреда..

Чувајте ги сите предупредувања и упатства за понатамошно упатување.

Поимот “електричен алат”, кој се користи во понатамошниот текст, се однесува на вашиот електричен алат (со приклучен кабел) и на електрични алати со погон на батерии (без приклучен кабел).

1) БЕЗБЕДНОСТ НА РАБОТНОТО МЕСТО

- Одржувајте го вашето работно место чисто и уредно.** Неуреден или темен работен простор може да предизвикаат незгоди.
- Немојте да работите со уредот во средина во која има опасност од експлозија, во која има запалливи течности, гасови и прашина.** Електричните алати произведуваат искри кои можат да запалат прашина или параа.
- За време на употребата на електричниот алат, децата и останатите лица држете ги подалеку од местото нае работите.** Одвраќање, би можеле да изгубите контрола врз уредот.

2) ЕЛЕКТРИЧНА СИГУРНОСТ

- Утинач мора да одговара на приклучокот. Никане не смее да се прават измени на штекерот. Не користете адаптерски штекер заедно со уредот кој е заштитно заземјен.** Не променети штекери и соодветни приклучоци го намалуваат ризикот од електричен удар.
 - Избегнувајте допир на телото со заземјени површини, како што се цевки, радијатори, рерни и фрижидери.** Постои зголемена опасност од струен удар, доколку Вашето тело е заземјено.
 - Чувајте го уредот подалеку од дожд и влага.** Продирањето на вода во електричниот уред ја зголемува опасноста од струен удар.
 - Не злоупотребувајте го приклучниот кабел за носење, бесење на уредот или за извлекување на штекерот од мрежниот приклучок. Чувајте го кабелот подалеку од топлина, масло, остри рабови или деловите на апаратот кои се движат.** Оштетени или заплеткани кабли ја зголемуваат опасноста од струен удар.
 - Кога го употребувате полначот надвор, користете продолжен кабел кој е соодветен за употреба на отворен простор.** Примената на продолжен кабел соодветен за работа на отворен простор ја намалува опасноста од струен удар.
 - Доколку не може да се избегне работа со електричниот алат во влажна средина, користете прекинувач за струјна заштита при технички проблеми.** Употребата на прекинувачот за струјна заштита при технички проблеми го намалува ризикот од електричен удар.
- #### 3) ЛИЧНА ЗАШТИТА
- Бидете внимателни, внимавајте што правите и постапувајте внимателно додека работите со електричниот алат. Не работете со уредот доколку сте уморни или под дејство на дрога, алкохол или лекови.** Еден момент на невнимание при употребата може да доведе до сеизозни повреди.
 - Носете ја личната заштитна опрема и секогаш носете заштитни очила.** Носењето на личната заштитна опрема, како што е маската за прашина, безбедносната облека која не се лизга, заштитен шлем или штитник за слух, зависно од видот и примената на електричниот алат, ја намалува опасноста од повреда.
 - Избегнувајте невнимателно вклучување за време на работата. Осигурајте се прекинувачот да биде во “OFF” позиција пред да го ставите штекерот во приклучокот.** Доколку го носите електричниот алат со прстот на прекинувачот или го приклучувате апаратот кој е приклучен со напојување на струја, може да предизвикате незгоди.
 - Пред вклучување на уредот, тргнете ги алатите за подесување или клучот за навртување.** Алатот или клучот кој се наоѓа во вртливост дел на уредот, може да предизвика незгода.
 - Не ги преценувајте своите способности. Завземете сигурен и стабилен став и во секој момент одржувајте рамнотежа.** На тој начин можете подобро да го контролирате уредот во неочекувани ситуации.
 - Носете соодветна облека. Не носете широка**

- облека или накит. Носата и алиштата треба да бидат подалеку од подвижните делови. Широка облека, накитот или долгата коса може да се закачат за подвижните делови.
- g) Доколку може да се монтираат направи за вшмукување и фаѓање прашина, проверете дали се вклучени и дали можат исправно да се користат. Примената на овие направи ја намалува опасноста од прашината.
- h) Не дозволувајте искуството стенкато со честа употреба на алатите да ве направи спонојни и да ги игнорирате безбедносните принципи при неговото користење. Невнимателно движење може да предизвика сериозни повреди во дел од секунда.
- 4) ВНИМАТЕЛНА УПОТРЕБА И РАКУВАЊЕ СО ЕЛЕКТРИЧНИТЕ АЛАТИ**
- a) Не го преоптеретувајте уредот. При вашата работа користете го предвидениот електричен алат за таа употреба. Со соодветниот електричен алат ќе работите подобро и посигурно во наведената функционална област.
- b) Не користете електричен алат чиј прекинувач е неисправен. Електричниот алат кој повеќе не може да се вклучува и исклучува е опасен и мора да се поправи.
- c) Исклучете го електричниот алат од струја и/или извадете го комплетот со батерии, ако се одделува, пред да правите некакви прилагодувања, менувате дополнителна опрема или да го складирате електричниот алат. Со овие мерки на внимателност ќе се избегне невнимателното вклучување на уредот.
- d) Тргнете го електричниот алат кој не го користите од допирот на децата. Не допуштајте работа со уредот на лица кои не се запознаени со него или кои го немаат прочитано ова упатство. Електричните алати се опасни доколку со нив работат неискусни лица.
- e) Одржувајте го електричниот алат и дополнителната опрема. Имајте контрола околу тоа дали движечните делови на уредот работат беспрекорно и дали не се заглавени, дали деловите се скршени или оштетени до таа мерка што не може да се обезбеди функционирање на уредот. Пред примената, овие оштетени делови треба да се поправат. Причина за многу незгоди е лошо одржуваниот електричен алат.
- f) Алатите за сечење одржувајте ги остри и чисти. Внимателно одржувани алати за сечење со остри очтрици помалку ќе се заглавуваат и со нив работата ќе биде полесна.
- g) Електричниот алат, прибор, работни алати итн., треба да ги користите според овие упатства, и на начин кој е опишан за соодветниот тип на уред. При тоа, земете ги предвид работните услови и работата која се извршува. Употребата на електричните алати за други цели кои не се предвидени, може да предизвика опасни ситуации.
- h) Рачките и површините за држење одржувајте ги суви, чисти и неизмастени. Рачките и површините за држење што се лизгаат не овозможуваат безбедно ракување и контрола на алатот во неочекувани ситуации.
- 5) ВНИМАТЕЛНО РАКУВАЊЕ И КОРИСТЕЊЕ НА АПАРАТ СО АКУМУЛАТОР**
- a) Полнете го акумулаторот само во апаратите за полнење кои се пропишани од страна на производителот. За апаратот за полнење кој е соодветен за определен вид на акумулатори, постои опасност од пожар, доколку се употребува со други акумулатори.
- b) Користете ги електричните алати само со специфично назначени пакувања на батерии. Користењето на друг вид на батерии може да доведе до ризик од повреда или пожар.
- c) Кога батериите не се користат, држете ги настрана од метални предмети како штрафчиња, парички, клучеви, клинцци, навртки или други, мали предмети кои може да направат краток спој. Краткиот спој кај батериите може да предизвика изгореници или пожар.
- d) При погрешна примена може да излезе течност од акумулаторот; избегнувајте контакт со неа. При случаен контакт, измијте се со вода. Ако течноста дојде во допир со очите, побарајте и лекарска помош дополнително. Течноста која може да излезе од акумулаторот може да доведе до надразнување на кожата и изгореници.
- e) Не употребувајте комплет со батерии или алат кој е оштетен или изменет. Оштетени или изменети батерии може да реагираат непредвидливо и да предизвикаат пожар, експлозија или опасност од повреда.
- f) Не го изложувајте комплетот со батерии или алатот на оган или висока температура. Изложувањето на оган или температура над 130°C може да предизвика експлозија.
- g) Следете ги сите инструкции за полнење и не го полнете комплетот со батерии или алатот надвор од температурниот опсег наведен во инструкциите. Неправилното полнење или на температура надвор од наведениот опсег може да ја оштети батеријата и да ја зголеми опасноста од пожар.
- 6) СЕРВИСАРАЊЕ**
- a) Електричниот алат сервисирајте го кај квалификувано лице кое користи само идентични резервни делови. Со ова се обезбедува безбедно одржување на електричниот алат.
- b) Никогаш не поправајте оштетени комплекти со батерии. Поправката на комплекти со батерии треба да ја врши само производителот или овластен сервис.

БЕЗБЕДНОСНИ УПАТСТВА ЗА БЕЗЖИЧНИ УДАРНИ ЗАВРТУВАЧИ

- Држете го алатот за изолираните површини на држење кога работите на место каде затегнувачот може да допре до покриени жици (ако се допре жица под напон, металните делови на алатот ќе се електрифицираат и може да предизвикаат електричен шок за работникот)
- ОПШТИ**
- Прашината од материјали како боја која содржи олово, некои видови дрво, минерали и метали, може

да биде штетна за здравјето (контактот со прашина или нејзиното вдишување може да шредизвика алергии и/или болести на дишните органи за оној кој работи со алатот или луѓето во близина); **носете маска за прашина и работете со правосмукални доколку можете да ги поврзете**

- Некои видови на прашина се канцерогени (како на пример прашина од даб или бука), особено заедно со адитиви за одржување на дрвото; **носете маска за прашина и работете со правосмукални доколку можете да ги поврзете**
- Следете ги процедурите на вашата земја за прашина која се јавува како резултат од материјалите со кои работите
- **Не обработувајте нинаков материјал кој содржи азбест** (азбестот важи за предизвикувач на рак)
- При промена на приборот, пренесување или прибирање на алатот, задолжително поставете го прекинувачот В ② во средна позиција (заклучено)

ПРИБОР

- SKIL може да признае гаранција само доколку е користен оригинален прибор
- Користете само прибор чија дозволена брзина е во најмала рака еднаква на најголемата брзина при празен од на електричниот алат

ПРЕД УПОТРЕБА

- Избегнувајте оштетувања од штрафови, шајки и други предмети во местото каде работите; тргнете ги пред да почнете со работа
- **Зацврстете го материјалот кој го обработувате** (обработка која е зацврстена со стеги или во менгеме е побезбедна отколку да ја држите со раце)
- **Користете соодветни детектори за наоѓање на скриени инсталации или повинајте соодветна компанија за помош** (контактот со електричните линии може да доведе до струен удар; оштетувањата во гасоводна цевка може да резултира со експлозија; пенетрирање во водоводна инсталација може да доведе до оштета на предмети или електричен удар)

АНУМАТОРСКА БАТЕРИЈА

- **Испорачаната батерија е делумно наполнета** (за да се обезбеди целосен капацитет на батеријата, целосно наполнете ја батеријата во полначот на батеријата пред да го употребите вашиот електричен алат за првпат)
- **Користете ги исклучиво следниве батерии и полначи со овој алат**
 - Батерија SKIL: BR1*31****
 - Полнач SKIL: CR1*31****
- Оштетената батерија не треба понатаму да се користи туку веднаш да се замени
- Не ја расклопувајте батеријата
- Никогаш не ги изложувајте на дожд алатот/ батеријата
- Дозволена температура на околината (алатка/ полнач/батерија):
 - при полнење 4...+40°C
 - при работа -20...+50°C
 - при складирање -20...+50°C

ОБЈАСНУВАЊЕ НА СИМБОЛИТЕ ЗА АЛАТОТ/ БАТЕРИЈАТА

- ③ Пред употреба прочитајте го прирачникот за употреба
- ④ Во допир со оган батериите ќе експлодираат, затоа не ги палете батериите од која било причина

- ⑤ Секогаш чувајте ги апаратот/полначот/батеријата во просторија на температура пониска од 50°C
- ⑥ Не се ослободувајте од електрични алати и батерии во домашниот отпад

УПОТРЕБА

- Комбиниран прекинувач за вклучување/исклучување и за контрола на брзината А ②
 - брзината се контролира на стелени од нула до максимум со применување помалку или повеќе сила врз активаторот А ④
- Полнење на акумулаторска батерија
 - ! **прочитајте ги безбедносните предупредувања и упатстваа дадени со полначот**
 - Вадење/инсталирање на батеријата ②
 - Прицврстување на клипот за ремен ⑦
 - прицврстете го клипот за ремен G на дупчалката со испорачаната завртка.
- Индикатор за нивото на батеријата ⑧
 - притиснете го копчето за индикаторот за нивото на батеријата H за да се прикаже нивото на батеријата.
- Промена на насоката на ротација ⑨
 - ако левата/десната позиција не легнат како што треба, прекинувачот А ② нема да може да стартува
 - ! **менувајте ја насоката на ротацијата само кога алатот се наоѓа во целосно мирување**
- Промена на бургиите ⑩
 - за да се отстрани бургија, повлечете го затворачкиот дел C напред ②
 - Повлечете го затворачкиот дел C напред, вметнете ја бургијата до граничникот во држачот на бургијата и ослободете го затворачкиот дел C за да ја заклучите бургијата. ⑩a ⑩b ⑩c
 - ! **користете само бургии со топчести делови, други бургии може да се користат со универзален држач за бургии со топчести делови ⑩b**
 - ! **не употребувајте бургии со оштетена дршка**
- Заштита на батеријата
 - Исклучува машината или спречува машината да се вклучи, кога
 - оптоварувањето е преголемо висока
 - температурата на батеријата не е во дозволеният опсег за температура од -20 до +50°C
 - литиум-јонската батерија е скоро празна (за да ја заштити од целосно празнење)
 - ! **не продолжувајте да притискате на прекинувачот за вклучување/исклучување откако алатот ќе се исклучи автоматски; батеријата ќе се оштети**
- ЛЕД-светилки F ⑪
 - Сијаличката LED F автоматски светнува кога ќе се активира прекинувачот А ①
- Држење и насочување на алатот ⑫
 - ! **додена работите, сеногаш држете го алатот за местото (местата) кое (кои) се означени со сива боја**
 - отворите за ладење Е ② држете ги отворени
 - не притискајте премногу со алатот; дозволете го сам да работи

СОВЕТИ ЗА ПРИМЕНА

- Користете соодветни бургии ⑮
- При навртување на штрафовите на краевите на дрвото, прво треба да се издупчи мала дупка за да се избегне разлитување на дрвото
- За оптимална употреба на апаратот потребен е постојан притисок на завртката, особено во текот на одвртувањето
- При завртување на завртката во тврдо дрво претходно треба да се издупчи дупка
- За повеќе информации видете на www.skil.com

ОДРЖУВАЊЕ/СЕРВИСИРАЊЕ

- Овој алат не е наменет за професионална употреба
- Алатот секогаш да се одржува чист (особено отворите за ладење E ②)
! отстранете ја батеријата од алатот пред чистење
- Доколку алатот и покрај внимателното работење и контрола некогаш откаже, поправката мора да ја изврши некој овластен SKIL сервис за електрични алати
 - во случај на примедба, испратете го алатот **нерасклопен**, заедно со сметкопотврдата, до вашиот продавач или најблискиот SKIL сервис (адресите се наведени на www.skil.com)
- Имајте предвид дека оштетувањето настанато заради преоптоварување или неправилно ракување со алатот ја отфрла гаранцијата (видете на www.skil.com или прашајте го продавачот за условите на гаранцијата на SKIL)

ЗАШТИТА НА ЖИВОТНАТА СРЕДИНА

- **Не се ослободувајте од електрични алати, батерии, уреди или амбалажа преку нивно фрлање во домашното губре** (само за земјите на ЕУ)
 - според Европската Директива 2012/19/ЕС за ослободување од електрична и електронска опрема и нејзина имплементација во согласност со националните закони, електричните алати кои го достигнале крајот на својот животен век мора да бидат собрани посебно и да бидат вратени во соодветен објект за рециклирање
 - симболот ⑥ ќе ве потсетува на ова кога ќе дојде време алатот да го фрлите**! пред да се фрли акумулаторската батерија во отпад, заштитете ги нејзините полови**

БУЧАВА / ВИБРАЦИИ

- Измерено во согласност со EN 62841, нивото на звучен притисок на оваа алатка е 94,5 dB(A) и нивото на звучна моќност 105,5 dB(A) (несигурност K = 3 dB), и вибрацијата 14,5 m/s² (триакс векторна сума; несигурност K = 1.5 m/s²)
- Нивото на емитување на вибрации кое е наведено на задниот дел на ова уплатство е измерено во согласност со стандардизираниот тест даден во EN 62841; може да се користи за да се спореди еден алат со друг, и како првична оценка за изложеноста на вибрации кога се користи алатот за споменатите примени

- користењето на алатот за разни примени, или со различни или неправилно чувани делови, може да доведе до значајно **зголемување** на нивото на изложеност
- кога алатот е исклучен или кога алатот е вклучен но не врши некаква работа, може да дојде до значително **намалување** на нивото а изложеност
! заштитете се од ефектите на вибрациите преку одржување на алатот и неговите делови, одржување на топлината во вашите раце, и организирање на вашата работа

AL

Vidator me çekiç me bateri

3210

HYRJE

- Ky mjet është bërë për të futur dhe liruar vida dhe bulona
- Kjo vegël nuk është e projektuar për përdorim profesional
- Lexoni dhe ruani këtë manual të përdorimit ③

TË DHËNAT TEKNIKE ①

Forca maksimale e rrotullimit për veprime vidhosjeje të forta sipas ISO 5393 : 140Nm

ELEMENTET E VEGËL ②

- A Çelësi për ndezje/fikje dhe kontrolli i shpejtësisë
- B Çelësi për ndryshimim e drejtimit ose të rrotullimit
- C Këmisha bllokuese
- D Treguesi i drejtimit të zgjedhur të rrotullimit
- E Të çarat e ajrosjes
- F Drita LED
- G Kapësja e rripit
- H Treguesi i nivelit të baterisë

SIGURIA

PARALAJMËRIME TË PËRGJITHSHME TË SIGURISË PËR PAJISJET ELEKTRIKE

⚠ PARALAJMËRIM: Lexoni të gjitha paralajmërimet, udhëzimet, ilustrimet dhe specifikimet e dhëna me këtë mjet pune. Mosrespektoni i të gjitha udhëzimeve të renditura më poshtë mund të rezultojë në goditje elektrike, zjarr dhe/ose dëmtime të rënda.

Ruani të gjitha paralajmërimet dhe udhëzimet për referencë në të ardhmen.

Termi “pajisje elektrike” në paralajmërimet i referohet pajisjes elektrike që përdoret nga priza (me kablo) ose pajisjes elektrike me bateri (pa kablo).

1) SIGURIA E ZONËS SË PUNËS

- a) **Mbajeni zonën e punës të pastër dhe të ndriçuar mirë.** Zonat e çrregullta ose të errëta janë një ftesë për aksidente.
- b) **Mos i përdorni pajisjet elektrike në situata me mundësi shpërthimi, si në prani të lëngjeve, gazeve ose pluhurave të djegshëm.** Pajisjet elektrike

- shkaktojnë shkëndija që mund të ndezin pluhurat ose avujt.
- c) **Mbajini fëmijët dhe personat e tjerë larg gjatë përdorimit të veglës së punës.** Tërheqja e vëmendjes mund të shkaktojë humbjen e kontrollit.
- 2) SIGURIA ELEKTRIKE**
- a) **Spinat e veglës së punës duhet të përputhen me prizën. Mos modifikoni kurrë spinën në asnjë mënyrë. Mos përdorni asnjë spinë përshtatëse me veglat e punës me tokëzim.** Spinat e pamodifikuara dhe prizat përshtatëse do të zvogëlojnë rrezikun e goditjes elektrike.
- b) **Shmangini kontaktin trupor me sipërfaqe të tokëzuara si tuba, radiatorë, soba dhe frigoriferë.** Ka një rrezik më të madh të goditjeve elektrike nëse trupi është i tokëzuar.
- c) **Mos ekspozoni veglat e punës në shi ose në kushte me lagështi.** Uji që hyn në veglën e punës do të rritë rrezikun e goditjes elektrike.
- d) **Mos abuzoni me kordonin. Mos e përdorni kurrë kordonin për transportin, tërheqjen ose heqjen e spinës së veglës së punës. Mbajeni kordonin larg nga nxehtësia, vaji, anët e mprehta ose pjesët që lëvizin.** Kordonët e dëmtuar ose e bllokuar rrisin rrezikun e goditjes elektrike.
- e) **Kur përdorni një vegël pune në mjedise të jashtme, përdorni një kordon zgjatues të përshtatshëm për përdorim në mjedise të jashtme.** Përdorimi i një kordoni të përshtatshëm për përdorime në mjedise të jashtme zvogëlon rrezikun e goditjes elektrike.
- f) **Nëse përdorimi i veglës së punës në një vend me lagështi është i pashmangshëm, përdorni një automat qarku me shkarkesë me tokëzim.** Përdorimi i një automati me shkarkesë me tokëzim zvogëlon rrezikun e goditjes elektrike.
- 3) SIGURIA PERSONALE**
- a) **Qëndroni në gatishmëri, shikoni se çfarë po bëni dhe përdorni gjykimin kur përdorni një vegël pune. Mos e përdorni një vegël pune kur jeni i lodhur ose nën ndikimin e ilaçeve, alkoolit ose mjekimit.** Një moment humbje e vëmendjes gjatë përdorimit të veglave të punës mund të shkaktojë dëmtime të rënda personale.
- b) **Përdorni pajisje personale mbrojtëse. Mbani gjithmonë pajisje për mbrojtjen e syve.** Pajisjet mbrojtëse si maska kundër pluhurit, këpuçet që nuk rrëshqasin, kaskat ose pajisjet për mbrojtjen e veshëve për kushtet përkatëse do të zvogëlojnë dëmtimet personale.
- c) **Parandaloni ndezjen e rastësishme. Sigurohuni që çelësi është në pozicionin fikur para se të lidhni burimin e energjisë dhe/ose baterinë, para se të merrni ose të transportoni pajisjen.** Transportimi i veglave të punës me gishtin në çelës ose aktivizimi i veglave të punës që kanë çelësin të ndezur është një ftesë për aksidente.
- d) **Hiqni çdo çelës ose çelës përshtatës para ndezjes së veglës së punës.** Një çelës i lënë i lidhur me një pjesë rrotulluese të veglës së punës mund të shkaktojë dëmtime personale.
- e) **Mos u zgjasni. Mbani një vendosje të mirë të këmbëve dhe një ekuilibër të mirë në çdo moment.** Kjo gjë bën të mundur një kontroll më të mirë të veglës së punës në situata të papritura.
- f) **Vishuni në mënyrën e duhur. Mos vishni veshje të gjera ose bizhuteri. Mbani flokët, veshjet dhe dorashkat larg nga pjesët lëvizëse.** Veshjet e gjera, bizhuteritë ose flokët e gjatë mund të kapen nga pjesët në lëvizje.
- g) **Nëse janë ofruar pajisje për lidhjen e pajisjeve të mbledhjes dhe nxjerrjes së pluhurave, sigurohuni që ato të jenë të lidhura dhe të përdoren si duhet.** Përdorimi i mbledhjes së pluhurave mund të zvogëlojë rreziqet në lidhje me pluhurat.
- h) **Mos lejoni që familjarizimi i fituar nga përdorimi i shpeshtë i veglave t'ju lejojë të tregoheni të vetëkënaqur dhe të shpërfillni parimet e sigurisë për pajisjet.** Një veprim i pakujdesshëm mund të shkaktojë dëmtime të rënda në më pak se një sekondë.
- 4) PËRDORIMI DHE KUJDESI PËR VEGLËN E PUNËS**
- a) **Mos ushtroni forcë mbi veglën e punës. Përdorni veglën e punës të duhur për përdorimin tuaj.** Vegla e punës e duhur do të realizojë një punë më të mirë dhe më të sigurt dhe me shpejtësinë që ajo është e projektuar.
- b) **Mos përdorni veglën e punës nëse çelësi nuk e ndez apo e fik.** Çdo vegël pune që nuk mund të kontrollohet me anë të çelësit është e rrezikshme dhe duhet të riparohet.
- c) **Shkëputni spinën nga burimi i energjisë dhe/ose baterinë nga vegla e punës para se të bëni rregullime të tjera, të ndryshoni aksesorët ose të ruani veglat e punës.** Këto masa parandaluese të sigurisë ulin rrezikun e ndezjes aksidentale të veglës së punës.
- d) **Mbani veglat e punës larg fëmijëve dhe mos lejoni personat e pamësuar me veglën e punës ose këto udhëzime për përdorimin e pajisjes.** Veglat e punës janë të rrezikshme në duart e përdoruesve të patrajnuar.
- e) **Mirëmbani veglat e punës. Kontrolloni për mospërshtatje ose bllokim të pjesëve lëvizëse, thyerje të pjesëve dhe gjendje të tjera që mund të ndikojnë në funksionimin e veglës së punës.** Nëse dëmtohet, riparoheni veglën e punës para përdorimit. Shumë aksidente shkaktohen nga veglat e punës jo të mirëmbajtura si duhet.
- f) **Mbajini pajisjet prerëse të pastra dhe të mprehta.** Pajisjet e prerjes të mirëmbajtura dhe me anë të mprehta kanë më pak mundësi për t'u bllokuar dhe janë më të lehta për t'u kontrolluar.
- g) **Përdorni veglat e punës, aksesorët dhe puntot, etj. në përputhje me këto udhëzime, duke marrë parasysh kushtet e punës dhe punën që do të kryhet.** Përdorimi i veglave për përdorime të ndryshme nga ato të përcaktuara mund të shkaktojë rreziqe.
- h) **Mbajini dorezat dhe sipërfaqet ku mbaheni të thata, të pastra dhe pa vajra ose graso.** Dorezat dhe sipërfaqet ku mbaheni, kur janë të rrëshqitshme, nuk ju lejojnë të menaxhoni dhe ta kontrolloni në mënyrë të sigurt pajisjen në situata të papritura.
- 5) PËRDORIMI DHE KUJDESI PËR VEGLËN ME BATERI**
- a) **Karikojeni vetëm me karikuesin e përcaktuar nga prodhuesi.** Një karikues që është i përshtatshëm për një lloj baterie mund të krijojë rrezik për zjarr kur përdoret me një bateri tjetër.
- b) **Përdorni veglat e punës vetëm me bateritë e përcaktuara respektivisht.** Përdorimi i çdo baterie tjetër

mund të krijojë rrezik për dëmtime dhe zjarr.

- c) **Kur bateria nuk është në përdorim, mbajeni larg nga objektet e tjera metalike si kapëset e letrës, monedhat, çelësat, gozhdët, vidat ose objektet e tjera të vogla metalike që mund të bëjnë lidhjen e një terminali me terminalin tjetër.** Lidhja e shkurtër e terminaleve të baterisë mund të shkaktojë djegie ose zjarr.
- d) **Në kushte abuzimi, nga bateria mund të rrjedhin lëngje; shmangni kontaktin me to. Në rast se ndodh aksidentalisht kontakti, shpëljajeni me ujë. Në rast se lëngu bie në kontakt me sytë, kërkoni edhe ndihmë mjekësore.** Lëngu i rrjedhur nga bateria mund të shkaktojë acarime ose djegie.
- e) **Mos e përdorni një pako baterish ose një vegël që është e dëmtuar apo e modifikuar.** Bateritë e dëmtuara ose të modifikuara mund të shfaqin sjellje të paparashikuara, duke shkaktuar zjarr, shpërthim ose rrezik për lëndimin tuaj.
- f) **Mos e ekspozoni një pako baterish ose një vegël ndaj zjarrit ose temperaturës shumë të lartë.** Ekspozimi ndaj zjarrit ose një temperature mbi 130°C mund të shkaktojë shpërthim.
- g) **Ndiqni të gjitha udhëzimet për karikimin dhe mos e karikoni pakon e baterive ose veglën jashtë gamës së temperaturës që specifikohet tek udhëzimet.** Karikimi i papërshtatshëm ose në temperatura jashtë gamën së specifikuar mund të dëmtojë baterinë dhe të rritë rrezikun për zjarr.
- 6) **SHËRBIMI**
 - a) **Shërbimi i veglës së punës duhet të kryhet nga një person i kualifikuar për riparimet duke përdorur vetëm pjesë ndërrimi identike.** Kjo gjë do të sigurojë ruajtjen e sigurisë së veglave të punës.
 - b) **Mos kryeni asnjëherë shërbimin për pakot e baterive.** Shërbimi për pakot e baterive duhet të kryhet vetëm nga prodhuesi ose ofruesit e autorizuar të shërbimit.

UDHËZIME SIGURIE PËR VIDATORËT ME ÇEKIÇ ME BATERI

- **Mbajeni mjetin e punës duke kapur sipërfaqet e izoluar të prekjes kur bëni një punë aty ku kapësja mund të bjerë në kontakt me tela të fshehur (kapëset që bien në kontakt me një tel me korrent mund të ekspozojnë pjesët metalike të mjetit të punës në korrent dhe mund t'i japin përdoruesit një goditje elektrike)**

TË PËRGJITHSHME

- Pluhurat nga materialet si boja me plumb, disa lloje drurësh, mineralesh dhe metalesh mund të jenë të dëmshme (kontakti ose thithja e pluhurave mund të shkaktojë reagime alergjike dhe/ose sëmundje respiratore për përdoruesin ose personat përreth); **mbani një maskë për pluhurat dhe punoni me një pajisje për heqjen e pluhurave kur mund të lidhet**
- Disa lloje pluhurash skanë klasifikuar si kancerogjene (si pluhuri i lisit dhe i ahut) veçanërisht në ndërthurje me lëndët shtesë për kondicionimin e drurit; **mbani një maskë për pluhurat dhe punoni me një pajisje për heqjen e pluhurave kur mund të lidhet**
- Respektoni kërkesat kombëtare në lidhje me pluhurat për materialet me të cilat dëshironi të punoni
- **Mos punoni me materiale që përmbajnë asbest**

(asbesti konsiderohet kancerogjen)

- Sigurohuni që çelësi B ② të jetë në pozicionin e mesit (bllokues) para se të bëni ndonjë rregullim ose të ndërroni aksesorët, si dhe kur transportoni ose magazinoni veglën

AKSESORËT

- SKIL mund të garantojë funksionimin pa probleme të veglës vetëm kur përdoren aksesorët origjinalë
- Përdorni vetëm aksesorë me një shpejtësi të lejuar që përshatet të paktën me shpejtësinë më të lartë pa ngarkesë të pajisjes

PARA PËRDORIMIT

- Shmangni dëmtimet që mund të shkaktohen nga vidat, gozhdët dhe elementet e tjera në materialin e punës; hiqni ato para se të filloni punën
- **Siguroini materialin e punës** (një material i shtrënguar me një pajisje shtrëngimi ose morsë mbahet në mënyrë më të sigurt se sa me dorë)
- **Përdorni detektorë përkatës për të gjetur linjat e fshehura të shërbimit ose telefononi kompaninë lokale të shërbimeve për ndihmë** (kontakti me linjat elektrike mund të shkaktojë zjarr ose goditje elektrike; dëmtimi i një linje gazi mund të shkaktojë një shpërthim; shpimi i një tubi uji do të shkaktojë dëmtim të pronës ose një goditje elektrike)

BATERIVE

- **Bateria e dhënë është pjesërisht e karikuar** (për të siguruar kapacitet të plotë të baterisë, karikojeni baterinë plotësisht në karikuesin e baterisë para se ta përdorni mjetin për herë të parë)
- **Përdorni vetëm bateritë dhe karikuesit e mëposhtëm me këtë mjet**
 - Bateri SKIL: BR1*31****
 - Karikues SKIL: CR1*31****
- Mos e përdorni baterinë nëse është e dëmtuar; ajo duhet të zëvendësohet menjëherë
- Mos e çmontoni baterinë
- Mos e ekspozoni mjetin/baterinë në shi
- Lejohet temperatura e ambientit (vegël/karikuesin/bateri):
 - kur karikoni 4...40°C
 - gjatë punës -20...+50°C
 - gjatë magazinimit -20...+50°C

SHPJEGIMI I SIMBOLEVE NË VEGËL/BATERI

- ③ Lexoni manualin e udhëzimeve para përdorimit
- ④ Bateritë mund të shpërthejnë kur hidhen në zjarr, prandaj mos i digjini bateritë për asnjë arsye
- ⑤ Ruajeni veglën/karikuesin/baterinë në vende ku temperatura nuk do të kalojë 50°C
- ⑥ Mos i hidhni veglat elektrike dhe bateritë së bashku me materialet e mbeturinave familjare

PËRDORIMI

- Çelësi i kombinuar për ndezje/fikje dhe kontrolli i shpejtësisë A ②
 - kontrolloni shpejtësinë në shkallë nga zero në maksimum duke ushtruar më pak ose në shumë trysni mbi çelës A⑭
- Karikimi i baterisë
- **! lexoni parajmërimet dhe udhëzimet e sigurisë të dhëna me karikuesin**
- Heqja/instalimi i baterisë ②
- Vendosja e kapëses së rripit ⑦
 - vendosni kapësen e rripit G në trapan me vidën e dhënë.

- Treguesi i nivelit të baterisë [ⓑ]
 - shtypni butonin tregues të nivelit të baterisë H për të shfaqur nivelin aktual të baterisë.
- Ndryshimi i drejtimit të rrotullimit [ⓐ]
 - kur është vendosur si duhet në pozicionin majtas/djathtas, çelësi A [ⓐ] nuk mund të aktivizohet
- ! **ndryshoni drejtimin e rrotullimit vetëm kur pajisja të jetë plotësisht e ndaluar**
- Ndërrimi i puntove [ⓐ]
 - për ta hequr një punto, tërhiqni manikotën e bllokimit C përpara [ⓐ]
 - tërhiqni manikotën e bllokimit C përpara, futni puntun për ta ndaluar në mbajtësen e puntos dhe lëshojeni manikotën e bllokimit C për ta bllokuar puntun. [ⓐ]a [ⓐ]b [ⓐ]c
- ! **përdorni vetëm punto me kapëse top, puntot e tjera mund të përdoren me mbajtëse univernale puntosh me kapëse top [ⓐ]b**
- ! **mos i përdorni puntot me një bosht rrotullues të dëmtuar**
- Mbrojtja e baterisë
 - Fiket veglën ose parandalon ndezjen të veglës, kur
 - ngarkesa është shumë e lartë
 - temperatura e baterisë nuk është brenda diapazonit të lejuar të temperaturës së përdorimit -20 deri në +50°C
 - bateria me jone litiumi është gati bosh (për të mbrojtur nga shkarkimi i thellë)
- ! **mos vazhdoni të shtypni çelësin e ndezjes/fikjes pasi pajisja të fiket automatikisht; bateria mund të dëmtohet**
- Drita LED F [ⓐ]
 - Drita LED F ndizet automatikisht kur aktivizoni çelësin A [ⓐ]
- Mbatja dhe drejtimi i veglës [ⓐ]
 - ! **gjatë punës, mbajeni gjithmonë veglën në zonën(at) e dorezës me ngjyrë gri**
 - mbajini të çarat e ajrimit E [ⓐ] të pambuluara
 - mos ushtroni shumë trysni mbi pajisje; lëreni pajisjen që të punojë për ju

KËSHILLË PËR PËRDORIMIN

- Përdorni puntot e duhura [ⓐ]
- Kur vidhosni një vidë/pranë skajit të prerjes kryq ose një skaj të drurit, shpuni paraprakisht një vrimë për të shmangur krisjen e drurit
- Për një përdorim optimal të veglës kërkohet një presion i qëndrueshëm mbi vidë, veçanërisht kur ta hiqni
- Kur vidhosni në dru të fortë, duhet të shpuni paraprakisht një vrimë
- Për më shumë informacion, shikoni www.skil.com

MIRËMBAJTJA / SHËRBIMI

- Kjo vegël nuk është e projektuar për përdorim profesional
- Gjithmonë mbajeni mjetin të pastër (sidomos vrimat e ajrimit E [ⓐ])
 - ! **hiqeni baterinë nga mjeti para se ta pastroni**
- Nëse pajisja ka defekt pavarësisht kujdesit në prodhim dhe procedurat e provave, riparimi duhet të kryhet nga një qendër e shërbimit pas shijtes për veglat e punës të SKIL
 - dërgoni veglën **të çmontuar** së bashku me vërtetimin e blerjes të shitësi ose te qendra më e afërt e shërbimit e SKIL (adresat si dhe diagrami i shërbimit i veglës janë

të paraqitura në www.skil.com)

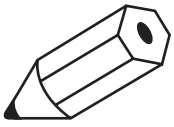
- Kini parasysh se dëmtimet për shkak të mbingarkesës ose manovrimit të papërshtatshëm të veglës janë të përjashtuara nga garancia (për kushtet e garancisë së SKIL vizitoni www.skil.com ose pyetni shitësin tuaj)

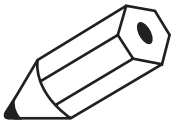
MJEDISI

- **Mos i hidhni veglat elektrike, bateritë, aksesoret dhe paketimin së bashku me materialet e mbeturinave familjare** (vetëm për vendet e BE-së)
 - në respektim të Direktivës evropiane 2012/19/EC për pajisjet elektrike dhe elektronike si mbetje dhe zbatimin e saj në përputhje me ligjet kombëtare, pajisjet elektrike që kanë arritur në fund të jetëgjatësisë së tyre duhet të mblihdhen të ndara dhe të kthehen në një objekt riciklimi në përputhje me mjedisin.
 - simboli [ⓐ] do t'ju kujtojë për këtë gjë kur të jetë nevoja për t'i hedhur
- ! **para hedhjes mbroni termialet e baterisë me ngjytës të fortë për të parandaluar qarkun e shkurtër**

ZHURMA / VIBRIMI

- I matur sipas EN 62841, niveli i presionit të zhurmës së këtij mjeti është 94,5 dB(A) dhe niveli i fuqisë së zhurmës 105,5 dB(A) (pasiguria K = 3 dB), dhe dridhja 14,5 m/s² (shuma e vektorit triax; pasiguria K = 1.5 m/s²)
- Niveli i emetimit të vibrimit është matur në përputhje me një provë të standardizuar të dhënë në EN 62841; ajo mund të përdoret për të krahasuar një vegël me një tjetër dhe si një vlerësim paraprak i ekspozimit ndaj vibrimit kur përdorni pajisjen për proceset e përmendura
 - përdorimi i pajisjes për procese të ndryshme, ose me aksesore të ndryshëm dhe të mirëmbajtur keq, mund të **rritë** ndjeshëm nivelin e ekspozimit
 - kohët kur pajisja është e fikur dhe kur është e ndezur por jo në punë, mund të **zvogëlojnë** ndjeshëm nivelin e ekspozimit
- ! **mbroni veten nga efektet e vibrimit duke mirëmbajtur pajisjen dhe aksesoret e saj, duke i mbajtur duart e ngrohta dhe duke organizuar mënyrën tuaj të punës**





1 ابزارهای برقی. باتری ها، آنها را نباید همراه با زباله های عادی خانگی دور انداخت

استفاده

- کلید ترکیبی برای روشن/خاموش کردن و کنترل دور A در 1
- با کم یا زیاد کردن فشار دست روی استارت می توانید دور را بدون پله از صفر تا حداکثر تنظیم کنید A2
- شارژ کردن باتری
- ! هشدارها و دستورالعمل های ارائه شده همراه شارژر را مطالعه کنید
- برداشتن/قرار دادن باتری 1
- وصل کردن گیره کمربند V
- گیره کمربند G را با استفاده از پیچ ارائه شده به مته وصل کنید
- نشانگر شارژ باتری A
- برای نمایش سطح کونوی باتری، دکمه نشانگر شارژ باتری H را فشار دهید.
- تغییر جهت چرخش 4
- کلید A در صورتی که درست در وضعیت چپ/راست تنظیم نشده باشد.
- فعال نخواهد شد
- ! فقط زمانی جهت چرخش ابزار را عوض کنید که ابزار در حالت توقف کامل باشد

- عوض کردن سرتمه 1
- برای برداشتن یک سرتمه، ماسوره فقلی C را جلو بکشید 1
- ماسوره فقلی C را جلو بکشید. سرتمه را در توقف نگهدارنده سرتمه گذاشته و ماسوره فقلی C را رها کنید تا سرتمه قفل شود. 1b 1c 1a
- ! فقط از سرتمه های دارای گیرنده تویی استفاده کنید. سرتمه های دیگر را می توان با یک نگهدارنده یونیورسال یا گیرنده تویی 1b بکار برد
- ! اگر ساقه سرتمه آسیب دیده است نباید از آن استفاده کنید
- محافظت باتری

در موارد زیر ابزار را خاموش کرده و یا از روشن شدن ابزار جلوگیری می نماید

- بار خیلی زیاد است
- دمای باتری در محدوده دمایی مجاز 20- تا 50+ درجه سانتیگراد نیست
- باتری یون لیتیوم تقریباً تخلیه شده است (برای محافظت در برابر تخلیه کلی)

! بعد از خاموش شدن خودکار ابزار کلید روشن/خاموش را مرتب فشار ندهید: امکان دارد باتری آسیب ببیند

- چراغ LED F 1
- چراغ LED F در صورت فعال شدن کلید A 1 بطور خودکار روشن می شود
- نگهداشتن و هدایت ابزار 1
- ! هنگام کار باید همیشه ابزار را از جا(های) دست خاکستری رنگ بگیرید
- شیارهای تهویه E 1 را مسدود نکنید
- فشار بیش از حد به ابزار وارد نکنید؛ بگذارید ابزار به جای شما کار کند

توصیه های کاربردی

- از سرتمه های مناسب استفاده کنید 1b
- هنگام سفت کردن یک پیچ در/کنار لبه یا مقطع برش یک تکه چوب. ابتدا یک سوراخ ایجاد کنید تا چوب ترک نخورد
- برای عملکرد بهینه ابزار باید فشار یکسواخت روی پیچ وارد شود. بخصوص موقعی که پیچ را خارج می کنید
- اگر می خواهید چوب های سفت را پیچ کنید باید ابتدا یک سوراخ ایجاد کنید
- برای اطلاعات بیشتر به www.skil.com مراجعه کنید

نگهداری / سرویس- خدمات

- این ابزار برای مصارف حرفه ای مناسب نیست
- همیشه ابزار را تمیز نگه دارید (بخصوص شیارهای تهویه E 1)
- ! پیش از تمیز کردن باید باتری را از ابزار جدا کنید
- اگر ابزار علیرغم تمام دقت و مراقبتی که در فرایندهای تولید و تست بکار برده شده از کار افتاد، تعمیرات باید فقط در مراکز خدمات پس از فروش ابزارهای برقی SKIL انجام شود
- ابزار را بصورت بازنشده همراه با رسید خرید به فروشنده یا نزدیک ترین مرکز خدمات رسانی SKIL بفراستید (آدرسها به همراه نمودار نقشه های سرویس ابزار در www.skil.com موجود است)
- توجه داشته باشید که خرابی و خسارت ناشی از اضافه بار یا کار کردن نادرست یا ابزار مشمول ضمانت نخواهند بود (برای آگاهی از شرایط ضمانت SKIL به نشانی www.skil.com مراجعه کرده یا از فروشنده خود سوال کنید)

محیط زیست

- ابزارهای برقی. باتری ها، لوازم و بسته بندی آنها را نباید همراه با زباله های عادی خانگی دور انداخت (فقط مخصوص کشورهای عضو اتحادیه اروپا)
- با توجه به مصوبه اروپایی 2012/19/EC اروپا درباره لوازم برقی و الکترونیکی مستعمل و اجرای این مصوبه مطابق با قوانین کشوری، ابزارهای برقی که به پایان عمر مفید خود رسیده اند باید جداگانه جمع آوری شده و به یک مرکز بازیافت مناسب و سازگار با محیط زیست انتقال یابند
- ناماعلامت 1 یادآور این مسئله در هنگام دور انداختن است
- ! قبل از دور انداختن باتری حتماً باید روی پایانه های باتری را با نوار چسب سنگین بپوشانید تا اتصال کوتاه نکند

صدا / ارتعاشات

- بر طبق اندازه گیری های انجام شده بر اساس استاندارد EN 12841، میزان فشار صوتی این ابزار 94,5 دسی بل و میزان توان صوتی آن 104,5 دسی بل (عدم قطعیت $K = 3$ دسی بل)، و میزان ارتعاشات آن 14,5 متر/مخزور ثانیه (جمع بردارهای سه جهت: عدم قطعیت $K = 1,5$ متر/مخزور ثانیه) می باشد
- میزان انتشار ارتعاشات بر اساس تست استاندارد شده ای که در EN 12841 معرفی شده است اندازه گیری گردید؛ از این ارقام می توان برای مقایسه یک ابزار با دیگری و بعنوان ارزیابی اولیه بر معرض فرارگیری ارتعاشات هنگام کار با ابزار در کاربری های فوق استفاده کرد
- استفاده کردن از ابزار برای کاربردهای متفاوت، یا با لوازم و متعلقات متفاوت/تفرقه ای با لوازم و متعلقاتی که بد نگهداری شده اند، می تواند میزان در معرض فرارگیری را بطور قابل ملاحظه ای افزایش دهد
- مواقعی که ابزار خاموش است یا روشن است ولی کاری با آن انجام نمی شود، میزان در معرض فرارگیری بطور قابل توجهی کاهش می یابد
- ! با نگهداری مناسب از ابزار و لوازم و متعلقات آن، گرم نگهداشتن دست های خود، و سازمان دهی طرح های کاری می توانید خود را در برابر اثرات ارتعاش محافظت کنید

نگهدارید. لباس های فراموشی بلند و زینت آلات ممکن است در قسمت های دچرخش دستگاه گیر کنند.

(خ) در صورتیکه می توانید وسایل مکش گرد و غبار و یا وسیله جذب زائده را به دستگاه نصب کنید، باید مطمئن شوید که این وسایل نصب و درست استفاده می شوند. استفاده از وسایل مکش گرد و غبار ممنوعیت شما را در برابر گرد و غبار زیاد تر می کند.

(د) اجازه ندهید آشنایی و تسلط حاصل از استفاده مکرر از ابزارها باعث شود احساس نیاز به رعایت قواعد نکرده و به قوانین ایمنی ابزار بی توجهی کنید یک عمل از روی بی فکری می تواند در کسری از ثانیه موجب جراحت شدید شود استفاده صحیح از ابزار الکتریکی و مراقبت از آن

(ا) از وارد کردن فشار زیاد روی دستگاه خود داری کنید. برای هر کاری، از ابزار الکتریکی مناسب با آن استفاده کنید. بکار گرفتن ابزار الکتریکی مناسب باعث می شود که بتوانید از توان دستگاه بهتر و با اطمینان بیشتر استفاده کنید.

(ب) در صورت برزی از کلید قطع و وصل ابزار برقی، از دستگاه استفاده نکنید. ابزار الکتریکی که نمی توان آنها را قطع و وصل کرد، خطرناک بوده و باید تعمیر شوند.

(ت) قبل از تنظیم ابزار الکتریکی، تعویض متعلقات و یا کنار گذاشتن آن، دوشاخه را از برق کشیده و یا باطری آنرا خارج کنید، رعایت این اقدامات پیشگیری ایمنی از راه افتادن ناخواسته ابزار الکتریکی جلوگیری می کند.

(ث) ابزار الکتریکی را در صورت عدم استفاده، از دسترس کودکان دور نگهدارید. اجازه ندهید که افراد نا وارد و یا اشخاصی که این دفترچه راهنما را نخوانده اند، با این دستگاه کار کنند. قرار گرفتن ابزار الکتریکی در دست افراد ناوارد و بی چربیه خطرناک است.

(ج) از ابزار الکتریکی خوب مراقبت کنید. مواظب باشید که قسمت های متحرک دستگاه خوب کار کرده و گیر نکنند. همچنین دقت کنید که قطعات ابزار الکتریکی شکسته و یا آسیب دیده نباشند. قطعات آسیب دیده را قبل از شروع به کار تعمیر کنید. علت بسیاری از سوانح کاری، عدم مراقبت کامل از ابزارهای الکتریکی می باشد.

(ح) ابزار برش را نیز و تمیز نگهدارید. ابزار برشی که خوب مراقبت شده و از لبه های تیز برخوردارند، کمتر در قطعه کار گیر کرده و بهتر قابل هدایت می باشند.

(خ) ابزارهای الکتریکی، متعلقات، ابزارکی که روی دستگاه نصب می شوند و غیره را مطابق دستورات این جزوه راهنما طوری به کار گیرید که با مدل این دستگاه تناسب داشته باشند. همچنین به شرایط کاری و نوع کار توجه کنید. کاربرد ابزار برقی برای مواد کاری که برای آن در نظر گرفته نشده است، میتواند شرایط خطرناکی را منجر شود.

(د) دسته ها و سطوح دستگیره ها را خشک، تمیز و عاری از روغن و گریس نگه دارید و با دسته ها و سطوح دستگیره های لیز نمی توان در شرایط غیرمطمئن بطور ایمن با ابزار کار کرد و کنترل آنرا داشت

(ه) مراقبت و نظرت استفاده از ابزارهای شارژی
(ا) باطری ها را منحصراً در دستگاهایی شارژ کنید که توسط سازنده توصیه شده باشند. در صورتیکه برای شارژ باطری، آنرا در شارژری قرار دهید که برای آن باطری ساخته نشده است. خطر آنتن‌سوزی وجود دارد.

(ب) در ابزار آلات الکتریکی، فقط از باطری هایی استفاده کنید که برای آن در نظر گرفته شده اند. استفاده از باطری های متفرقه می تواند منجر به جراحات و حریق گردد.

(ت) در صورت عدم استفاده از باطری یا باطری آنرا از گیره های فلزی، سکه، کلید، میخ، پیچ و دیگر وسایل کوچک فلزی دور نگه دارید. زیرا این وسایل ممکن است باعث ایجاد اتصالی شوند. ایجاد اتصالی بین دو قطب باطری (ترمیمالهای باطری) میتواند باعث سوختگی و ایجاد حریق شود.

(ث) استفاده ی رویه از باطری می‌تواند باعث خروج مایعات از آن شود. از دست زدن به آن خود داری کنید. در صورت تماس اتفاقی با آن، دست خود را با آب بشوئید. در صورت آلوده شدن چشم با این مایع، باید به پزشک مراجعه کنید. مایع خارج شده از باطری میتواند باعث التهاب پوست و سوختگی شود.

(ج) اگر یک بسته باطری یا ابزار آسیب دیده یا دستکاری شده اند، نباید از آنها استفاده کنید. باطری های آسیب دیده یا دستکاری شده ممکن است کارگرد غیرقابل پیش بینی داشته و منجر به آتش سوزی یا انفجار شده و یا خطر جراحات ایجاد کنند.

(ح) یک بسته باطری یا ابزار را در معرض آتش یا دماهای خیلی زیاد قرار ندهید. قرار دادن در معرض آتش یا دمای بالاتر از ۳۱- درجه سانتیگراد می تواند باعث انفجار گردد.

(خ) تمام دستوراتالعمل های شارژ را رعایت کرده و بسته باطری یا ابزار را در خارج از محدوده دمای ذکر شده در راهنما شارژ نکنید. شارژ نادرست با شارژ کردن در دماهایی خارج از محدوده ذکر شده می تواند به باطری آسیب رساننده و خطر آتش

سوزی را بالا ببرد.

(۱) سرویس

(ا) برای تعمیر ابزار الکتریکی فقط به متخصصین حرفه ای رجوع کرده و از وسایل یکدی اصل استفاده کنید. این باعث خواهد شد که ایمنی دستگاه شما تضمین گردد.

(ب) هرگز بسته های باتری آسیب دیده را سرویس نکنید. عملیات سرویس بسته های باتری باید فقط توسط سازنده یا مراکز خدماتی مجاز انجام شود.

هشدارهای ایمنی برای پیچ گوشتی ضربه ای شارژی

- اگر از ابزار در موارد استفاده می کنید که امکان دارد بستهای آن با سیم های پنهان شده تماس پیدا کنند، باید ابزار را از جایی دست های مخصوص عایق آن بگیرید (تماس بستهای ابزار با سیم های "برق دار" می تواند در بخش های فلزی دستگاه نیز جریان "برق" تولید کرده و موجب برق گرفتگی استفاده کننده شود)

عمومی

- گرد و خاک که از موادی مانند رنگ های حاوی سرب، برخی گونه های چوب، مواد معدنی و فلزات بلند می شود می تواند خطرناک باشد (تماس با این گرد و خاکها و یا تنفس آنها می تواند در کاربران ابزار یا افراد نزدیک به محل کار واکنش های حساسیتی ویا بیماری های تنفسی ایجاد کند)، یک ماسک مخصوص گرد و

- خاک بزنید و در صورت امکان از یک وسیله مکش گرد و خاک استفاده کنید
- برخی از گرد و خاکها (مانند گرد و خاکی که از چوب بلوط یا راش بلند می شود) علی الخصوص در مجاورت افزودنی های مخصوص چوب، سرطان زا هستند؛ یک ماسک مخصوص گرد و خاک بزنید و در صورت امکان از یک وسیله مکش گرد

- و خاک استفاده کنید
- از مقررات ملی مربوط به گرد و خاک موادی که می خواهید با آنها کار کنید پیروی نماید

- با موادی حاوی آزبست کار نکنید (آزبست سرطان زااست)
- قبل از هرگونه تنظیم یا عوض کردن متعلقات و یا حمل و قرار دادن ابزار در محل نگهداری آن مطمئن شوید که کلید B (۱) در وضعیت میانی (قفل) قرار داشته

- باشد
- متعلقات**
- SKIL در صورتی که در متعلقات اصلی استفاده کنید عملکرد بدون مشکل ابزار را

- تضمین می نماید
- متعلقات باید فقط با سرعت های چرخش مجاز که معادل بالاترین سرعت بدون بار ابزار هستند به کار برده شوند

پیش از استفاده

- پیچ ها، میخ ها و سایر اجزا دیگر می توانند به قطعه کاری شما آسیب برزند؛ بنابراین پیش از شروع کار آنها را بردارید

- قطعه کاری را محکم کنید (اگر قطعه کاری را با گیره های جاری یا گیره های رومیزی ثابت کنید بسیار مطمئن تر از گرفتن آن با دست خواهد بود)

- برای پیدا کردن سیم و لوله های پنهان از دستگاه های دستخور مناسب استفاده کرده یا با شرکت های آب و برق و گاز محلی تماس گرفته و از آنها کمک

- خواهید (تماس با سیم های برق موجب آتش سوزی و برق گرفتگی می شود؛ آسیب رساندن به لوله های گاز سبب انفجار می شود؛ سوراخ کردن لوله های آب به ساختمان آسیب رساننده و موجب خطر برق گرفتگی می شود)

باطری ها

- شارژر باتری ارائه شده کامل نیست (برای تضمین کامل بودن ظرفیت باتری باید باتری را پیش از نخستین بار استفاده از ابزار الکتریکی بطور کامل در شارژر باتری شارژ کنید)

- تنها از باطری ها و شارژرهای زیر با این ابزار استفاده کنید

- باطری (BR) SKIL: ۳۱۰۰۰۰۰۰۰
- شارژر (CR) SKIL: ۳۱۰۰۰۰۰۰۰۰۰

- اگر باتری آسیب دیده است از آن استفاده نکنید؛ باید فوراً آنرا عوض کنید

- باطری را از هم باز نکنید
- ابزارباتری نباید در معرض باران قرار داده شود

- دمای محیطی مجاز (ابزارشارژر/باطری):
- هنگام شارژ ۴۰۰ ... ۰ درجه سانتیگراد
- هنگام کار ۲۰۰ ... ۰ درجه سانتیگراد

- قرار دادن در محل نگهداری ۰ ... ۲۰ - ۵۰ درجه سانتیگراد

شرح علائم و نمادهای ابزارباتری

- پیش از کار حتماً دفترچه راهنما را مطالعه کنید
- (۱) اگر باتری در آتش اشتعال یافته شود امکان انفجار آن وجود دارد، بنابراین هرگز و به هیچ دلیلی باطری را نسوزانید

- (۲) ابزارشارژر را در مکانی نگهدارید که دمای آن از ۵۰ درجه سانتیگراد تجاوز نمی

محطة خدمة SKIL (العناوين بالإضافة إلى مخطط الخدمة متاحان على www.skil.com)

- كن على علم بأن التلف الناتج عن زيادة التحميل أو التعامل مع الآداة بطريقة خاطئة سيتم استثناءه من الضمان (لعرفة شروط ضمان SKIL انظر www.skil.com أو قم بسؤال بائع المعدات)

البيئة المحيطة

- لا تتخلص من الأدوات الكهربائية والبطاريات والملحقات ومواد التغليف مع النفايات المنزلية (الدول الاتحاد الأوروبي فقط):
 - وفقاً للتوجيه الأوروبي 12/19/EC حول نفايات المعدات الكهربائية والإلكترونية وتطبيقه بالتوافق مع القانون المحلي. يجب جميع الأدوات الكهربائية منتهية الصلاحية بشكل منفصل وإرسالها إلى أحد منشآت إعادة التصنيع الموافقة مع البيئة
 - سيدكرك الرمز 1 يهذأ عند الحاجة إلى التخلص من أية أداة:
- ! قبل التخلص من البطارية، قم بحماية الأطراف بشرط قوي لمنع حدوث دارة قصيرة

الضوضاء / الاهتزاز

- عند القياس بالتوافق مع EN 12841 يكون مستوى ضغط صوت هذه الآداة هو 94,5 ديسيبل(أ) ومستوى صوت الطاقة 10,5 ديسيبل(أ) (الاحتمالية $K = 3$ ديسيبل). والاهتزاز 14,5 م/ث² (مجموعة الكميات الموجهة: الاحتمالية $K = 1,5$ م/ث²)
- تم قياس مستوى الاهتزازات بالتوافق مع الاختبار المعياري المحدد في EN 12841. يمكن استخدامه لمقارنة أداة بأداة أخرى وكتقييم تمهيدى للتعرض للاهتزاز عند استخدام الآداة في التطبيقات الموضحة:
 - قد يؤدي استخدام الآداة في تطبيقات مختلفة أو مع ملحقات مختلفة أو ذات صيانة رديئة إلى زيادة مستوى التعرض بصورة كبيرة:
 - إن الفترة الزمنية التي يتم خلالها إيقاف تشغيل الآداة أو عندما تكون قيد التشغيل لكنها لا تؤدي أية مهام، تؤدي إلى تقليل مستوى التعرض بصورة كبيرة:
- ! قم بحماية نفسك من تأثيرات الاهتزاز من خلال صيانة الآداة وملحقاتها. والحفاظ على يدك دافنتين وتنظيم أعطاك العمل لديك:

FA

إيرازش يا هبرض يت شوك جى پ

مقدمه

- اين ابزار برای بستن و شل کردن پيج ها می باشد
- اين ابزار برای مصارف حرفه ای مناسب نیست
- لطفاً این دفترچه راهنما را مطالعه کرده و نگهدارید ①

اطلاعات فنی ①

حداکثر گشتاور برای استفاده بعنوان پیچ گوشتی بر اساس ISO 5293: 140 نیوتن متر

اجزای ابزار ②

- A کلید روشن/خاموش و کنترل دور
- B کلید تغییر جهت چرخش
- C ماسوره قفلی
- D نشانگر جهت چرخش انتخاب شده
- E شیارهای تهویه
- F چراغ DEL
- G گیره کمربند
- H نشانگر شارژ باتری

ایمنی

راهنمایی های ایمنی عمومی برای ابزارهای الکتریکی

FA هشدار تمامی هشدارهای ایمنی، دستورالعمل ها، تصاویر و مشخصات فنی ارائه شده همراه با این ابزار الکتریکی را مطالعه کنید در صورت عدم رعایت

هشدارهای زیر خطر برق گرفتگی، آتش سوزی و/یا بروز جراحات های شدید وجود خواهد داشت.

همه هشدارها و راهنمایی ها را برای استفاده آتی نگهداری کنید.

در این هشدارها عبارت "ابزار الکتریکی" به معنی ابزارهای الکتریکی فاقد باتری (با سیم برق) و یا ابزارهای الکتریکی باتری دار (شارژی) است

- 1) ایمنی محل کار
 - أ) محل کار خود را تمیز، مرتب و مجهز به نور کافی نگهدارید. محیط کار نامرتب و کم نور میتواند باعث سوانح کاری شود.
 - ب) با ابزار الکتریکی در محیط هایی که در آن خطر انفجار وجود داشته و حاوی مایعات، گازها و غبارهای محترقه باشد، کار نکنید. ابزارهای الکتریکی جرقه های ایجاد می کنند که می توانند باعث آتش گرفتن گرد و بخار های موجود در هوا شوند.
 - ت) هنگام کار با ابزار الکتریکی، کودکان و سایر افراد را از دستگاه دور نگهدارید. در صورتیکه حواس شما پرت شود، ممکن است کنترل دستگاه از دست شما خارج شود.

ایمنی الکتریکی

- 2) دوشاخه ابزار الکتریکی باید با پریز برق تناسب داشته باشد هیچگونه تغییری در دوشاخه ندهید. مبدل دوشاخه نباید همراه با ابزار الکتریکی دارای اتصال به زمین (ارت شده) استفاده شود. مبدل دوشاخه نباید همراه با ابزار الکتریکی دارای اتصال به زمین (ارت شده) استفاده شود.
 - ب) از تماس بدنی با قطعات دارای سیم اتصال به زمین (ارت شده) مانند لوله، سوزن، اجاق برقی و یخچال خود داری کنید. در صورتیکه بدن شما با سیم دارای اتصال به زمین (ارت شده) تماس پیدا کند، خطر برق گرفتگی بیشتر خواهد شد.
 - ت) دستگاه را از باران و رطوبت دور نگهدارید. نفوذ آب به ابزار الکتریکی، خطر شوک الکتریکی را افزایش می دهد.
 - ث) از سیم به درستی استفاده کنید. از سیم دستگاه برای کارهایی چون حمل ابزار الکتریکی، آویزان کردن آن و یا خارج کردن دوشاخه از بوق استفاده نکنید. دستگاه را در مقابل حرارت، روغن، لبه های تیز و بخش های متحرک دستگاه دور نگهدارید. کابل های آسیب دیده و یا گره خورده خطر شوک الکتریکی را افزایش می دهند.

ج) در صورتیکه با ابزار الکتریکی در محیط باز کار می کنید، تنها از کابل را بطی استفاده کنید که برای محیط باز نیز مناسب باشد. کابل های رابط مناسب برای محیط باز خطر برق گرفتگی را کم می کنند.

ح) در صورت لزوم کار با ابزار الکتریکی در محیط و اماکن مرطوب. در اینصورت باید از یک کلید حفاظتی جرقه خفا و نشستی زمین (کلید قطع کننده اتصال با زمین) استفاده کنید. استفاده از کلید حفاظتی جریان خفا و نشستی زمین خطر برق گرفتگی را کمتر می کند.

3) رعایت ایمنی اشخاص

- أ) حواس خود را خوب جمع کنید، به کار خود دقت کنید و با فکر و هوش کامل با ابزار الکتریکی کار کنید. در صورت خستگی و یا در صورتیکه مواد مخدر، الکل و دارو استفاده کرده اید، با ابزار الکتریکی کار نکنید. یک خطه بی توجهی هنگام کار با ابزار الکتریکی، میتواند جراحات های شدیدی به همراه داشته باشد.
- ب) همواره از تجهیزات ایمنی شخصی استفاده کنید. همواره از عینک ایمنی استفاده کنید. استفاده از تجهیزات ایمنی مانند ماسک ایمنی، کفش های ایمنی ضد لغزش، کلاه ایمنی و گوشی ایمنی متناسب با نوع کار با ابزار الکتریکی، خطر مجروح شدن را تقلیل می دهد.
- ت) مواظب باشید که ابزار الکتریکی بطور ناخواسته بکار نیفتد. قبل از وارد کردن دوشاخه دستگاه در پریز برق، اتصال آن به باتری، برداشتن آن و یا حمل دستگاه، باید دقت کنید که ابزار الکتریکی خاموش باشد. در صورتیکه هنگام حمل دستگاه آنگشت شما روی کلمه قطع و وصل باشد و یا دستگاه را در حالت روشن به برق بزنید، ممکن است سوانح کاری پیش آید.
- ث) قبل از روشن کردن ابزار الکتریکی، باید همه ابزار های تنظیم کننده و آچار ها را از روی دستگاه بردارید. ابزار آچارهایی که روی بخش های چرخنده دستگاه قرار دارند، می توانند باعث ایجاد جراحات شوند.

ج) پیش از حد به آنها نزدیک نشوید. برای کار جای مطمئن برای خود انتخاب کرده و تعادل خود را همواره حفظ کنید. به این ترتیب می توانید ابزار الکتریکی را در وضعیت های غیر منظره بهتر خت کنترل داشته باشید.

ح) لباس مناسب بپوشید. از پوشیدن لباس های فراخ و حمل زیفت آلات خود داری کنید. موها، لباس و دستکش ها را از بخش های درحال چرخش دستگاه دور

ث) قد يتسرب السائل من المركب عند سوء الإستعمال. تجنب ملامسته. اشطفه بماء في حال ملامسته صدمة. إن وصل السائل إلى العينين، فراجع الطبيب إضافة إلى ذلك قد يؤدي سائل المركب المنسرب إلى تهيج البشرة أو إلى الإحراق.

ج) لا تستخدم حزمة بطاريات أو أداة تالفة أو معدلة. قد تظهر البطاريات التالفة أو المعدلة سلوكيات غير متوقعة بنجم عنها حدوث حريق أو انفجار أو خطر التعرض للإصابة.

ح) تجنب تعرض حزمة البطاريات أو الأداة للهب أو درجة الحرارة الزائدة التعرض للهب أو لدرجة حرارة أعلى من ٠٣١ درجة مئوية قد يتسبب في حدوث انفجار.

خ) اتبع كل تعليمات الشحن ولا تمم بشحن حزمة البطاريات أو الأداة خارج نطاق درجة الحرارة المحدد في التعليمات. إن الشحن على نحو غير صحيح أو عند درجات حرارة تتجاوز النطاق المحدد قد يتسبب في تلف البطارية وزيادة خطر حدوث حريق.

١٦) اسمح بتصليح عدتك الكهربائية فقط من قبل المتخصصين فقط باستخدام قطع الغيار الأصلية. يؤمن ذلك المحافظة على أمان الجهاز.

ب) تجنب تمامًا حزمة بطاريات تالفة. ينبغي إجراء أعمال الخدمة على حزم البطاريات بمعرفة الشركة المصنعة أو مزودي الخدمة المعتمدين فقط.

تعليمات السلامة لمفكات البراغي اللاسلكية

• امسك بالأداة الكهربائية بواسطة أسطح إمساك معزولة وذلك عند القيام بأعمال قد يتعرض الإبرم من خلالها إلى التلامس مع أسلاك غير ظاهرة تلامس الإبرم مع سلك "متصل بالكهرباء" سيؤدي إلى "وصول التيار الكهربائي" إلى الأجزاء المعدنية المكشوفة في الأداة الكهربائية وقد يعرض المشغل لصدمة كهربائية

معلومات عامة

• الغيار الناتج من المواد كالبلاستيك الذي يحتوي على رصاص وبعض أنواع الأخشاب والمعادن والمكونات المعدنية قد يكون ضارًا (ملاصقة أو استنشاق الغبار قد تتسبب في إصابة المشغل أو من يجاوره بأمراض الحساسية وأو أمراض الجهاز التنفسي).
• قم بارتداء قناع للغبار مع العمل باستخدام جهاز شفط للغبار. طالما أمكن توصيله
• ثمة أنواع معينة من الغيار تصنف على أنها مواد مسيئة للسرطان (مثل غبار خشب البوبوت والزان) خاصة عند استخدامها مع مواد مضافة لمعالجة الخشب: قم بارتداء قناع للغبار مع العمل باستخدام جهاز شفط للغبار. طالما أمكن توصيله
• اذم بالمنظليات الوطنية الخاصة للغبار عند العمل باستخدام المواد المطلوبة
• لا تعمل باستخدام مواد تشتمل على الأسيستوس (يعتبر الأسيستوس مادة مسرطنة)؛
• تأكد من أن المفك B ١ في الوضع المركزي (الفصل) قبل إجراء أية تعديلات أو تغيير الملحقات وكذلك عند حمل أو تخزين الأداة

الملحقات

• تضمن SKIL التشغيل السليم للأداة فقط عند استخدام الملحقات الأصلية؛
• استخدم فقط الملحقات بالسرعة المسموح بها. والتي توافق على الأقل أعلى سرعة للأداة بدون حمل.

قبل الاستخدام

• تجنب التلف الذي قد تتسبب فيه البراغي والمسامير والعناصر الأخرى الموجودة في القطعة التي تعمل بها. قم بشكهم قبل بدء العمل؛
• ثبت قطعة العمل (الإمساك بقطعة عمل مثبتة بأجهزة تثبيت أو في ملزمة أكثر أمانًا من مسكها باليد).
• استخدم كاشفات ملائمة للعثور على خط المرافق أو اطلب شركة المرافق المحلية للحصول على مساعدة التلامس مع خطوط إمداد الكهرباء قد يؤدي إلى حدوث حريق أو صدمة كهربائية؛ وتلف خط الغاز قد يؤدي إلى حدوث انفجار؛
• واختراق أنابيب المياه سيتسبب في حدوث ضرر في الممتلكات أو صدمة كهربائية؛

البطاريات

• البطارية الزهودة مشحونة جزئيًا (الضمان السعة الكاملة للبطارية). قم بشحن البطارية بالكامل في شاحن البطارية قبل استخدام الأداة الكهربائية لأول مرة)
• استخدم البطاريات والشواحن التي ترد مع هذه الأداة فقط
- بطارية SKIL: BR ٣١٠٠٠٣
- شاحن SKIL: CR ٣١٠٠٠٣
• لا تستخدم البطارية إذا تعرضت للتلف؛ يجب استبدالها على الفور
• لا تقم بتفكيك البطارية
• لا تعرض الأداة/البطارية للأحطار
• درجة الحرارة المحيطة المسموح بها (الأداة/الشاحن/البطارية):
- عند الشحن ٤.٠...٥.٠ مئوية
- أثناء التشغيل ١٠.٠...٥٠.٠ مئوية
- أثناء التخزين ٢٠.٠...٥٠.٠ مئوية

شرح الرموز الموجودة على الأداة/البطارية

- ٢) قم بقراءة دليل الإرشادات قبل الاستخدام
٤) قد تنفجر البطاريات عندما يتم التخلص منها بإشعال النار بها. لذا لا تقم بإحراقها لأي سبب من الأسباب
٥) قم بتخزين الأداة/الشاحن/البطارية في أماكن لا تتجاوز درجة الحرارة فيها ٥٠ درجة مئوية؛
١) لا تتخلص من الأدوات الكهربائية والبطاريات مع النفايات المنزلية

الاستخدام

- مفتاح متعدد الوظائف للتشغيل/إيقاف التشغيل والتحكم في السرعة A ١
- يتحكم في السرعة من الصفر وحتى السرعة القصوى على نحو غير متدرج بالضغط أكثر أو أقل على الزناد A ١٤
- شحن البطارية
- اقرأ إختيرات السلامة والتعليمات المرفقة بالشاحن
- فك/تركيب البطارية ١
- مشبك سير التثبيت ٧
- تثبيت مشبك السير G باللفاف من خلال براغي مرفقة
- مبن مستوى البطارية A ٨
- اضغط على زر مؤشر مستوى البطارية H لعرض مستوى البطارية الحالي.
- تغيير اتجاه الدوران ٩
- في حالة عدم الضغط في الوضع الآمن/الأيسر بشكل صحيح A ١ يتعذر تنسيق المفك

! لا يتم تغيير اتجاه الدوران إلا عند توقف حركة الأداة تمامًا:

تغيير السنون ١٥

- إزالة اللقم: اسحب جلبة القفل C إلى الأمام ١
- اسحب جلبة القفل C إلى الأمام. ثم قم بإدراج اللقم حتى المدد في مقبض اللقم وخبر جلبة القفل C لتلق اللقم C ١٥ a 1 b 1 c
- استخدم اللقم فقط من خلال ماسك كروي. ويمكن استخدام اللقم الأخرى مع مقبض لقم عام من خلال ماسك كروي b ١٥
- يحظر استخدام السنون مع ساق تدوير تالف
- حماية البطارية
- إيقاف تشغيل الأداة أو منع تشغيل الأداة عندما يكون الحمل زائدًا
- لا تكون درجة الحرارة ضمن النطاق المسموح به وهو من ٢٠٠ إلى ٥٠٠ درجة مئوية؛
- تصعب بطارية أيون الليثيوم شبه فارغة (إحمايتها ضد التفرغ التام للشحنة)
! لا تستمر في الضغط على مفتاح تشغيل/إيقاف تشغيل بعد إيقاف تشغيل الأداة تلقائيًا، فرما تتسبب في إتلاف البطارية
- مصباح LED F ١١
- مصباح LED F يضيء تلقائيًا عند تشغيل المفتاح A ١١
- إمساك الأداة وتوجيهها ١٢
- أثناء العمل، امسك الأداة دائمًا من منطقة (مناطق) المقبض رمادية اللون
- احرص على أن تكون فتحات التهوية E ٢ غير مغطاة؛
- لا تضغط بشدة على الأداة. بل ارتكها تقوم بالعمل من أجلك:

توصيات الاستخدام

- استخدام السنون الملائمة ١٥
- عند ربط برغي في بالقرب من طرف مقطع عرضي أو حافة قطع خشبية يجب عمل ثقب خضيري لفتحته. تفاديا حدوث تشقق بالخشب؛
• للاستخدام الأمثل للأداة، يتطلب الأمر الضغط بثبات على البرغي. وبالأخص عند إزالته
• عند تركيب البراغي داخل الخشب الصلب، يجب الثقب مسبقًا لعمل فتحة؛
• لتريد من المعلومات ز موقعنا www.skil.com

الصيانة / الخدمة

- لم يتم تصميم هذه الأداة للاستخدام الاحترافي؛
• احرص دائمًا على نظافة الأداة (وخصوصًا فتحات التهوية E ٢)
- ! أول البطارية من الأداة قبل التنظيف
- إذا نزلت تشغيل الأداة على الرغم من الحذر الشديد في إجراءات التصنيع والاختبار، فيجب القيام بالإصلاحات بواسطة مركز خدمة ما بعد البيع لأدوات الطاقة التابع لشركة SKIL.
- قم بإرسال الأداة هون تفيكيها بالإضافة إلى إثبات الشراء إلى البائع أو أقرب

يكس ال ي غ ارب ك فم

٣٢١٠

مقدمة

- تستخدم هذه الأداة لسر وفك البراغي والمسامير
- لم يتم تصميم هذه الأداة للاستخدام الاحترافي:
- اقرأ دليل التعليمات هذا واحتفظ به (٣)

البيانات الفنية ١

أقصى عزم مستخدم لكف البراغي وفقاً لمعايير الأيزو ٥٣٩٣: ٤٠٠ نيوتن متر

مكونات الأداة ٢

- | | |
|---|-----------------------------------------|
| A | مفتاح للتشغيل/الإيقاف والتحكم في السرعة |
| B | مفتاح لتغيير اتجاه الدوران |
| C | جلبة القفل |
| D | مين اتجاه الدوران المحدد |
| E | فتحات النهوية |
| F | مصباح DEL |
| G | مشبك السبر |
| H | مين مستوى البطارية |

أمان

تحذيرات السلامة العامة للأداة الكهربائية

⚠ تحذير اقرأ كل تحذيرات السلامة والتعليمات والأشكال الإيضاحية والمواصفات المرفقة مع هذه الأداة الكهربائية فقد يؤدي الإخفاق في الالتزام بكل التعليمات المبينة فيما يلي إلى التعرض لصدمة كهربائية وأو حرق وأو إصابة خطيرة:

احتفظ بكل التحذيرات للرجوع إليها في المستقبل

التحذيرات إلى الأداة الكهربائية الخاصة بك التي « الأداة الكهربائية » يشير المصطلح تعمل بطاقة المآخذ الرئيسي) باستخدام سلك(أو بطاقة البطارية (بدون سلك):

١) الأمان بمكان الشغل

أ) حافظ على نظافة وحسن إضاءة مكان شغلك. الفوضى في مكان الشغل ومجالات العمل الغير مضادة قد تؤدي إلى حدوث الحوادث.

ب) لا تشغل العمل الكهربائي في محيط معرض لخطر الانفجار والذي تتوفر فيه الوسائل أو الغازات أو الأغبرة القابلة للإشتعال. العدد الكهربائي تشكل الشرر الذي قد يتطاير. فيشعل الأغبرة والأخرى.

ت) حافظ على بقاء الأطفال وغيرهم من الأشخاص على بعد عندما تستعمل الأداة الكهربائية. قد تفقد السيطرة على الجهاز عند التلهي.

٢) الأمان الكهربائي

أ) يجب أن يتلاءم قفايس وصل الأداة الكهربائية مع القفايس. لا يجوز تغيير القفايس بأي حال من الأحوال. لا تستعمل القوايس المهيمنة مع العدد الكهربائية المؤرضة تأريض وقتاني. عند تغييرها والقفايس الملائمة من خطر الصدمات الكهربائية.

ب) تجنب ملامسة السطوح المؤرضة كالألوانيب وراياتورات التدفئة والمدافئ أو البرادات بواسطة جسمك. يزداد خطر الصدمات الكهربائية عندما يكون جسمك مؤرض.

ت) أبعد الأداة الكهربائية عن الأمطار أو الرطوبة. يزداد خطر الصدمات الكهربائية إن تسرب الماء إلى داخل الأداة الكهربائية.

ث) يجب عدم إساءة استخدام الكابيل. لا تنس استعمال الكابيل حمل الأداة الكهربائية أو لتعليقها أو لسحب القفايس من القفايس. حافظ على إبعاد الكابيل عن الحرارة والزيت والحواف الحادة أو عن أجزاء الجهاز المتحركة. تزيد الكابلات التالفة أو المشابكة من خطر الصدمات الكهربائية.

ج) استخدم فقط كابلات التصيد الصالحة للإستعمال الخارجي أيضا عندما تشغل بالعدة الكهربائية في الهواء. يخفف استعمال كابل تمديد مخصص للإستعمال الخارجي من خطر الصدمات الكهربائية.

ح) إن لم يكن بالإمكان عدم تشغيل الأداة الكهربائية في الأجواء الرطبة. فاستخدم مفتاح للوقاية من التيار المتردد إن استخدم مفتاح للوقاية من التيار

المتردد يقلل خطر الصدمات الكهربائية.

٣) أمان الأشخاص

أ) كن يقظا وأنتبه إلى ما تفعله وقم بالعمل بواسطة الأداة الكهربائية بتعقل.. لا تستخدم عدة كهربائية عندما تكون متعب أو عندما تكون تحت تأثير المخدرات أو الكحول أو الأدوية. عدم الإبتها للحظة واحدة عند إستخدام الأداة الكهربائية قد يؤدي إلى إصابة خطيرة.

ب) ارتد عناء الوقاية الخاص. وارتد دائما نظارات واقية. يجب ارتداء عناء الوقاية الخاص كقناع الوقاية من الغبار وأحذية الأمان الواقية من الإنزلاق والحوذ واقية الأذنين.

ت) تجنب التشغيل بشكل غير مقصود. تأكد من كون الأداة الكهربائية مطفأة قبل وصلها بإمداد التيار الكهربائي و/ أو بالمركم، وقبل رفعها أو حملها. إن كنت تضع إصبعك على المفتاح أثناء حمل الأداة الكهربائية أو إن وصلت الجهاز بالشبكة

ث) ارتد عناء الضبط أو مفتاح الربط قبل تشغيل الأداة الكهربائية. قد تؤدي الأداة أو المفاتيح المتواجدة في جزء دوار من الجهاز إلى الإصابة بجروح.

ج) تجنب أوضاع الجسم غير الطبيعية. قف بأمان وحافظ على توازنك دائما. سيسمح لك ذلك من السيطرة على الجهاز بشكل أفضل في المواقف غير المتوقعة.

ح) ارتد ملابس مناسبة. لا ترتدي الثياب الفضفاضة أو الخلي. حافظ على إبقاء الشعر والثياب والقفازات على بعد عن أجزاء الجهاز المتحركة. قد تتشابك الثياب الفضفاضة والخلي والشعر الطويل بالأجزاء المتحركة.

خ) إن جاز تركيب جهاز شفط وجميع القفاير. فتأكد من أنها موصولة وبأنه يتم استخدامها بشكل سليم. قد يقلل استخدام تجهيزات لشفط الأغبرة من المخاطر الناتجة عن الأغبرة.

د) لا تدع أعيادك على الاستخدام المتكرر للأدوات يسمح لك بتجاهل مبادئ سلامة الأداة؛ قد يتسبب الاستخدام بدون أكثرات في حدوث إصابة بالغة في غضون ثواني.

هـ) حسن معاملة واستخدام العدد الكهربائي

أ) لا تقرفط في خميل الجهاز. إستخدم تنفيذا أشغالك الأداة الكهربائية المخصصة لذلك. إنك تعمل بشكل أفضل وأكثر أمانا بواسطة الأداة الكهربائية الملائمة في مجال الأداء المذكور.

ب) لا تستخدم الأداة الكهربائية إن كان مفتاح تشغيلها تالف. الأداة الكهربائية التي لم تعد تسمح بتشغيلها أو بإطافئها خطيرة ويجب أن يتم تصليحها.

ت) اسحب القفايس من القفايس و/ أو انزع المركم قبل ضبط الجهاز وقبل إستبدال التوابع أو قبل وضع الجهاز جانبا. تمنع إجراءات الاحتياط هذه تشغيل الأداة الكهربائية بشكل غير مقصود.

ث) احتفظ بالعدد الكهربائي التي لا يتم إستخدامها بعيدا عن متال الأطفال. لا تسمح باستخدام الأداة الكهربائية لمن لا خبرة له بها أو لمن لم يقرأ تلك التعليمات.

ج) اعمل بالعدة الكهربائية بشكل جيد. تخصص عما إذا كانت أجزاء الجهاز المتحركة تعمل بشكل سليم وبأنها غير مستعصبة عن الحركة أو إن كانت هناك أجزاء مكسورة أو تالفة لدرجة تؤثر فيها على حسن أداء الأداة

الكهربائية. ينبغي تصليح هذه الأجزاء التالفة قبل إعادة تشغيل الجهاز. الكثير الحوادث مصدرها العدد الكهربائي التي تم صيانتها بشكل ردي.

ح) حافظ على إبقاء عدد القطع نظيفة وحادة. إن عدد القطع ذات حواف القطع الحادة التي تم صيانتها بعناية تشكيل بشكل أقل ويمكن توجيهها بشكل أسير.

خ) استخدم العدد الكهربائي والتوابع وعدد الشغل والرخ حسب هذه التعليمات. تراعى أثناء تلك شروط الشغل والعمل المراد تنفيذها استخدام العدد الكهربائي لغير الأشغال المخصصة لأجلها قد يؤدي إلى حدوث الحلات الخطيرة.

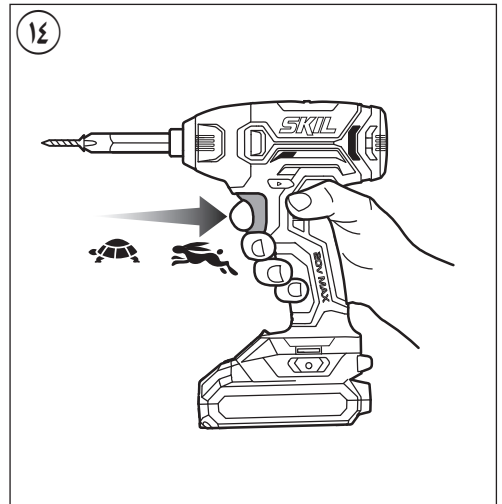
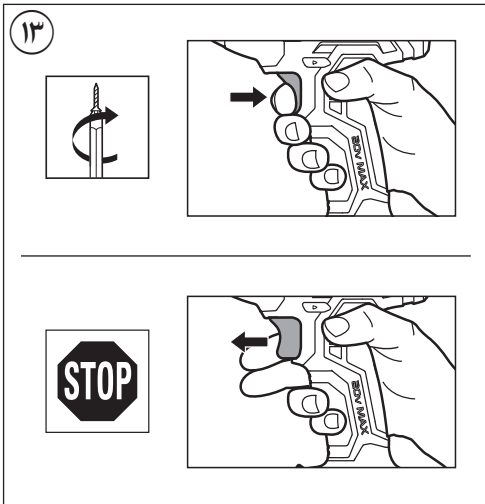
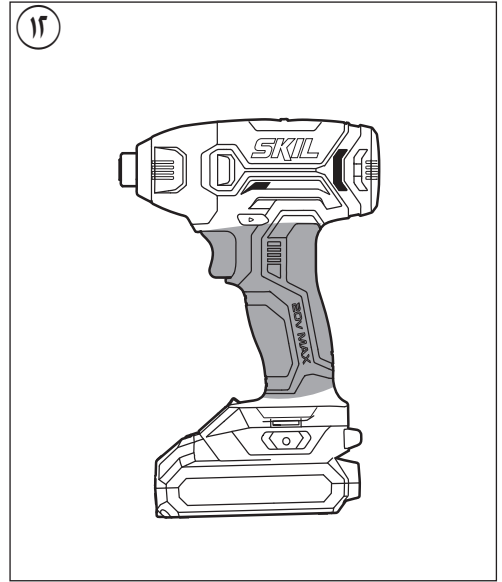
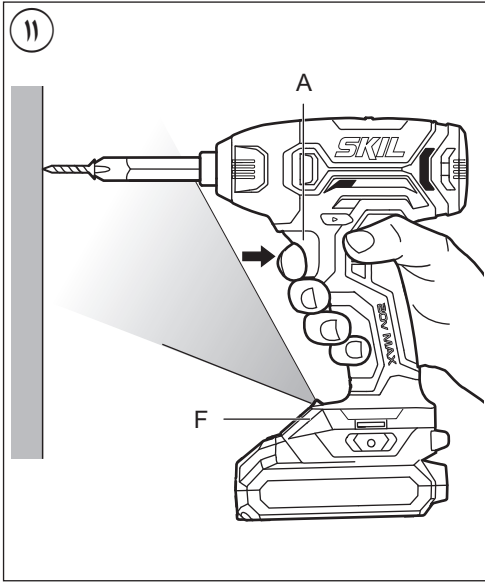
د) احرص على جفاف المقابض وأسطح الإمساك ونظافتها وخلوها من الزيت والشحوم. لا تسمح للمقابض وأسطح الإمساك الرلقة بالاستخدام والتحكم الأمن في الأداة في الحالات غير المتوقعة.

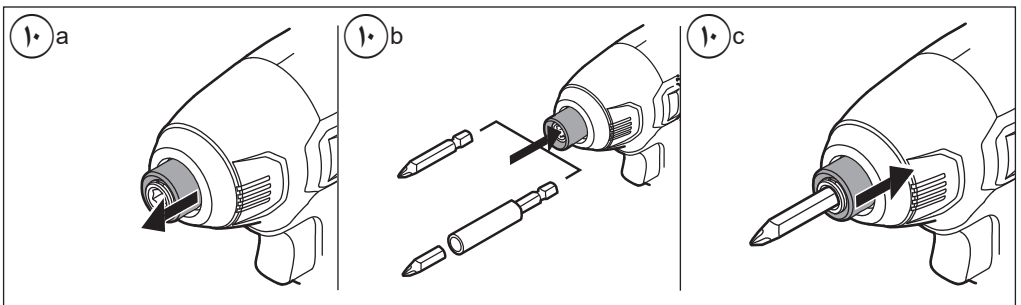
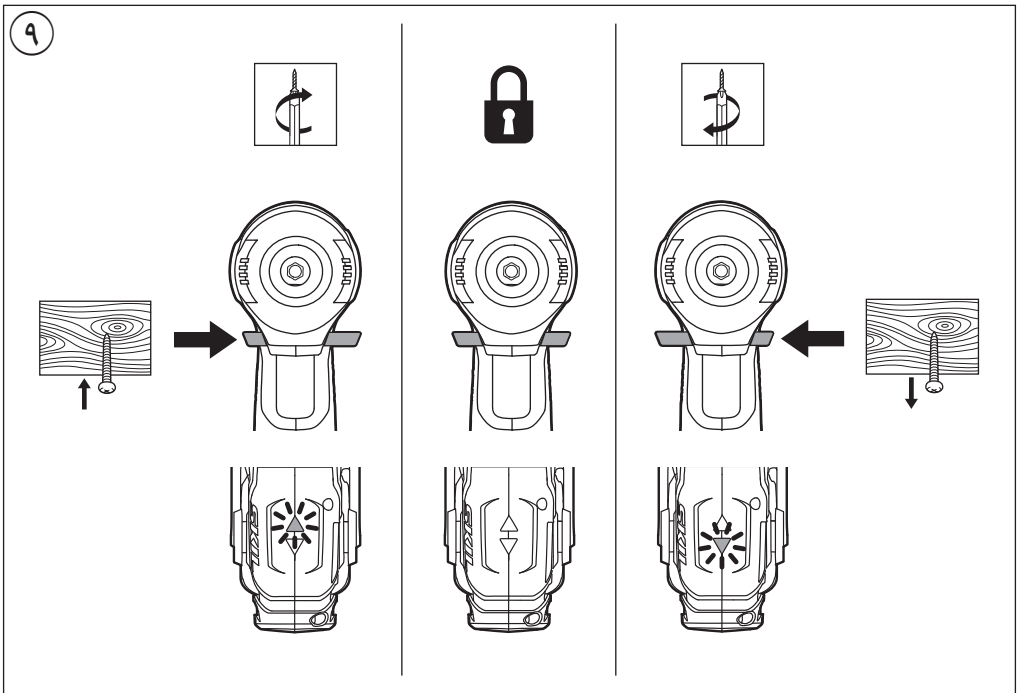
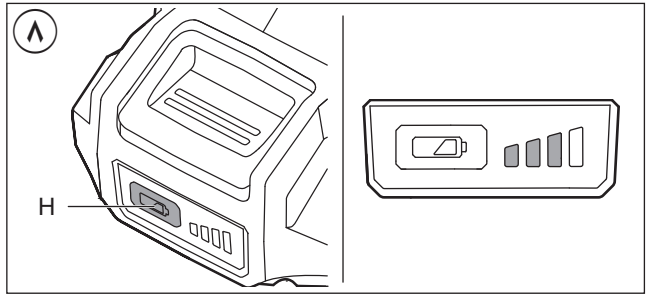
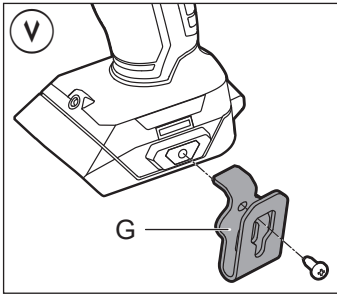
هـ) حسن معاملة واستخدام العدد المبردة بمركم

أ) أشحن المراكم فقط في أجهزة الشحن التي ينصح باستخدامها من طرف المنتج. يعم خطر نشوب الحرائق بأجهزة الشحن المخصصة لنوع معين من المراكم إن تم إستخدامها مع نوع آخر من المراكم.

ب) استخدم بالعدد الكهربائي فقط المراكم المخصصة لذلك قد يؤدي استخدام المراكم الأخرى إلى الإصابات إلى خطر نشوب الحرائق.

ت) حافظ على إبعاد المراكم الذي لا يتم إستعماله عن مشابك الورق وقطع النقود المعدنية والمفاتيح والمسامير واللواالب أو غيرها من الأغراض المعدنية الصغيرة التي قد تقوم بتوصيل الملامسين ببعضهما البعض. قد يؤدي تقصير الدارة الكهربائية بين ملامسى المركم على الإحترق أو إلى إنذاع النار.





1

3210


20V Max
18
Volt

2,0 Ah
2,5 Ah

1,3 kg

4,0 Ah
5,0 Ah

1,6 kg

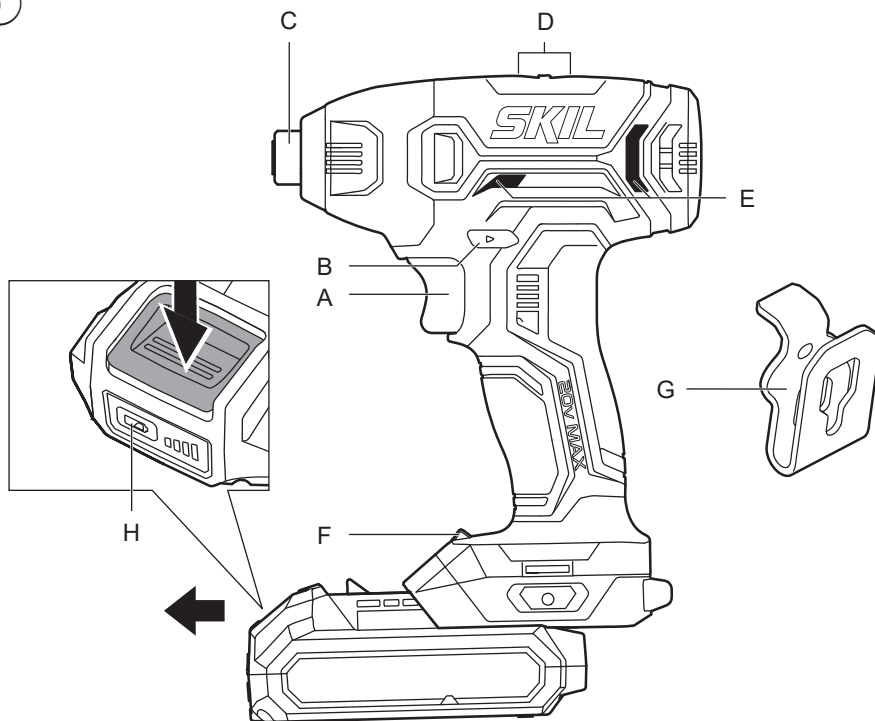

 n_0
0-2500
/min


0-3200
p/min


1/4" hex


10mm

2



3



4



5



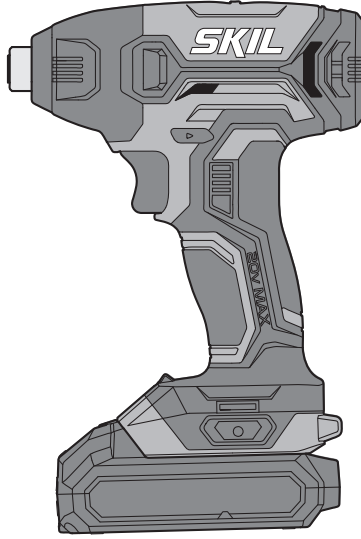
6



مفك صدمي بدون سلك

3210

SKIL®



دليل الاستعمال
راهنمای اصلي

AR

FA

