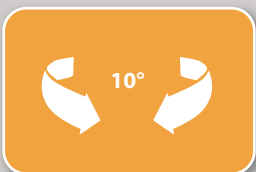
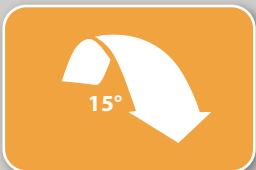
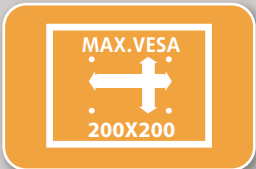




TECHNICAL DATA SHEET: LE2ST200-RO TILT & TURN TV WALL MOUNT

23"-50" 
58-127CM



The Essentials Series is a range of **simple**, no-fuss **TV mounts** that offer **fully-featured**, easy to use **functionality** at price points that represent **excellent value for money**.

The range is carefully tailored to cover all **LCD, LED and Plasma TV mounting requirements**.

Our designs offer **reduced package size for improved shipping fills**, reducing your carbon footprint. The product packaging also offers easy **merchandising** with simple to shop communicative icons.

Features:

- Swivel and tilt for flexible viewing options
- Easy slide on installation
- Tool free adjustment of tilt action



Technical Specifications:

Max Load	Distance from wall (Folded)	Distance from wall (Extended)	Swivel Range	Tilt Range	No of Articulation Points	Mounting Pattern	VESA Compatible
25Kg/ 55lbs	55mm/ 2.2"	n/a n/a	+/-10°	+15/-5°	2	Single Stud & Solid Wall	75x75 to 200x200



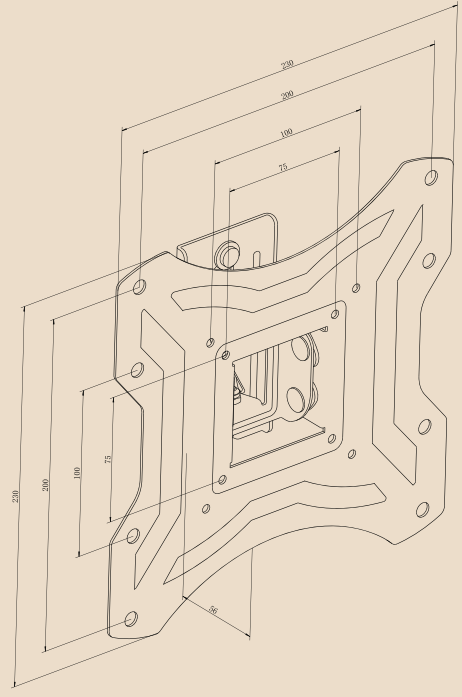


DIMENSIONS & SPECIFICATIONS SHEET: LE2ST200-RO TILT & TURN TV WALL MOUNT

Packed image



Line drawing



All dimensions are in mm

Packaging Information:

Product Number	Description	Product Packaging		Outer Packaging		
		Type	Barcode	Type	Qty in Box	Barcode
LE2ST200-RO	Turn & Tilt TV Wall Mount	Colour Gift Box	5015056 538259	Brown Outer with Label	10	05015056 540436

Weight & Dimensions:

Product			Product Box			Outer Box		
Extended	Folded	Net Weight	Dimensions	Gross Weight	Cubic	Dimensions	Gross Weight	Cubic
23 x 23 x 5.5 cm	n/a	0.84kg	24 x 23 x 5.5 cm	0.16kg	0.0030m ³	48.5 x 30.5 x 27.5 cm	10.91kg	0.0407m ³
9.06" x 9.06" x 2.17"	n/a	1.848lbs	9.45" x 9.06" x 2.17"	0.34lbs	0.1072ft ³	19.09" x 12.01" x 10.83"	24.002lbs	1.4366ft ³