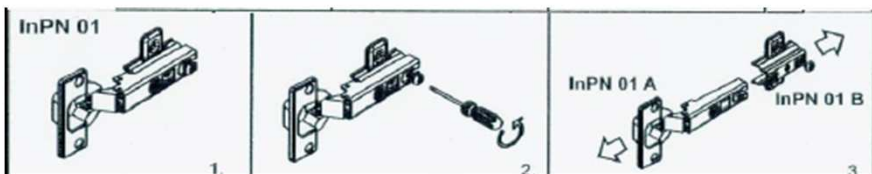
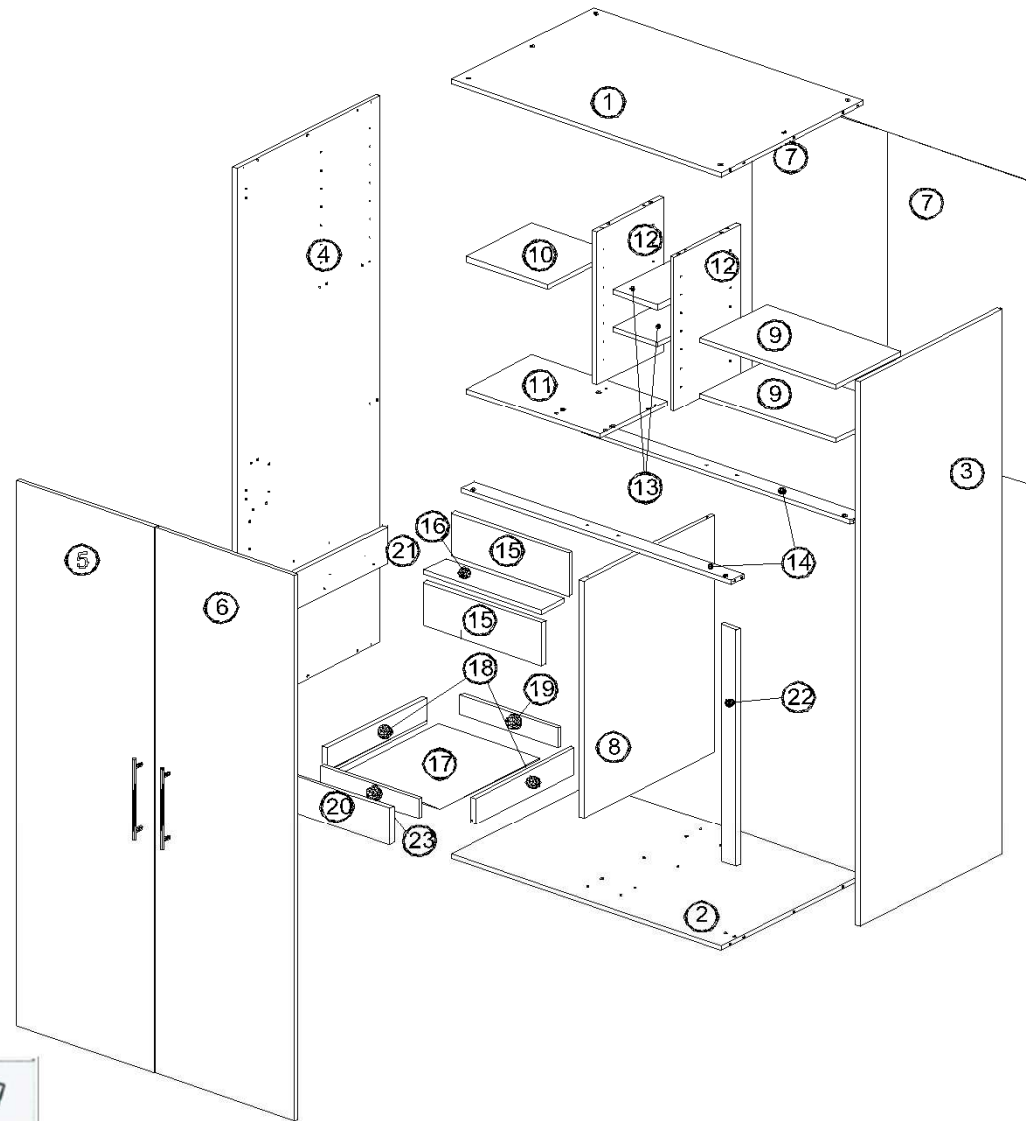
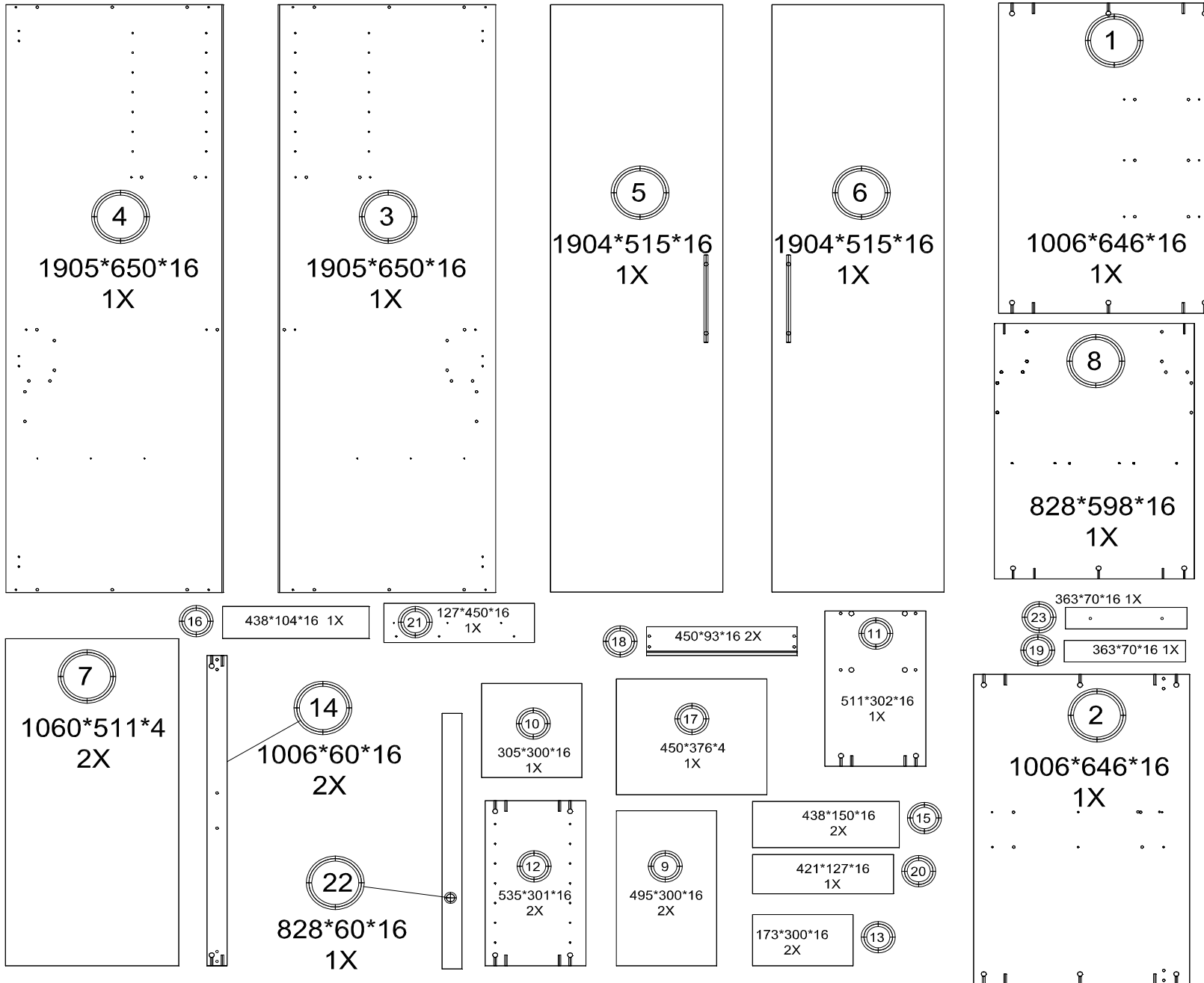


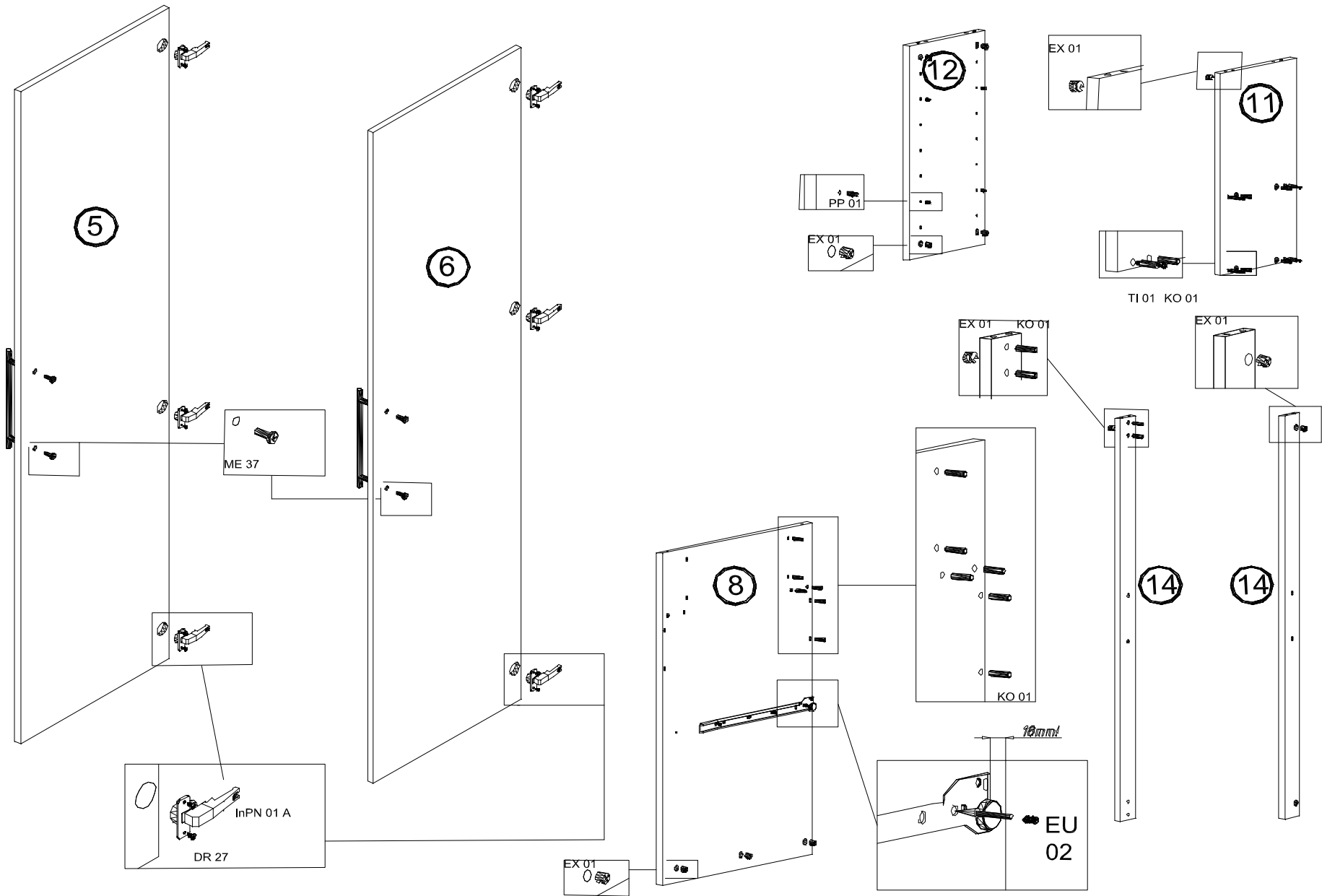


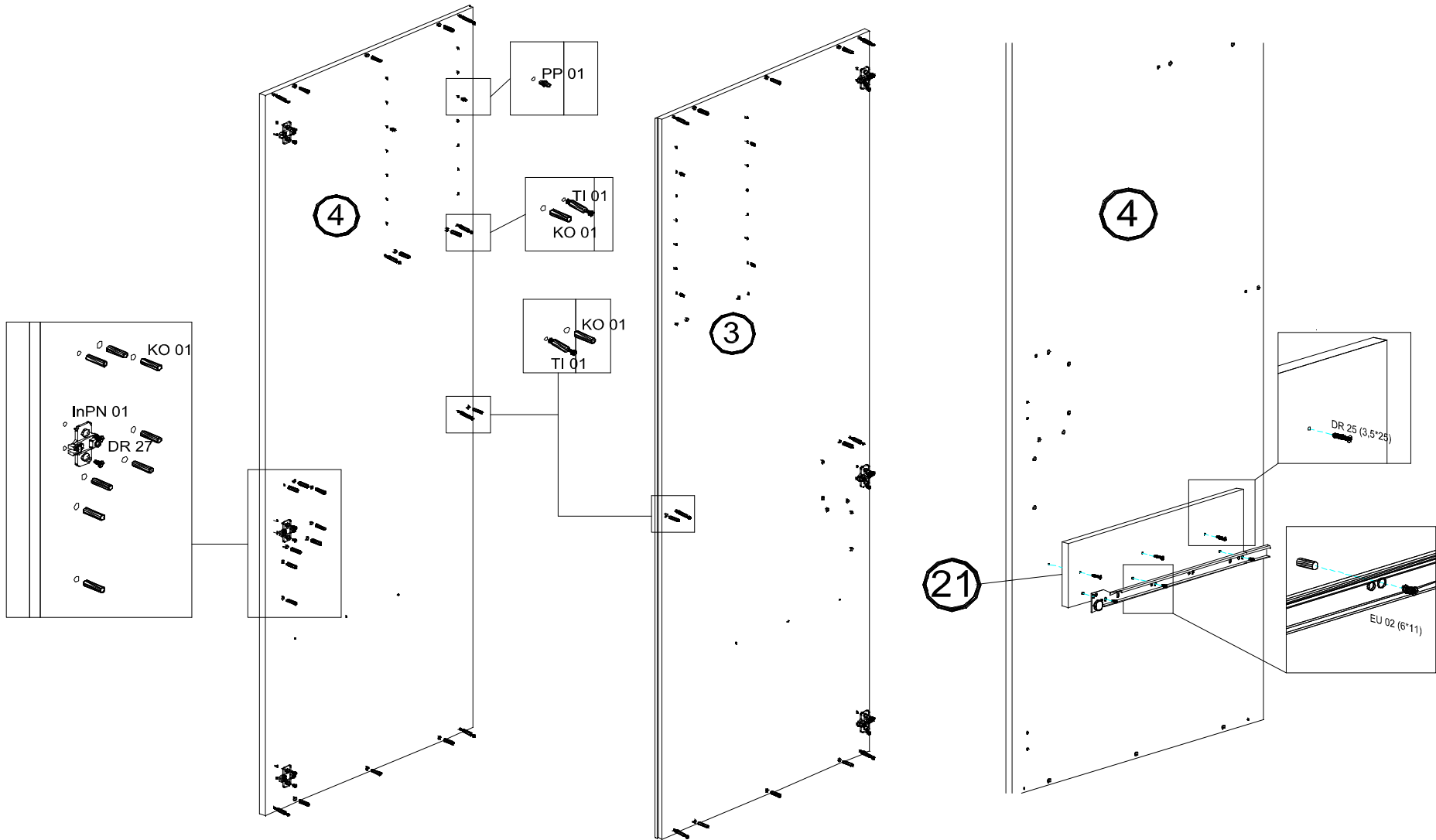
40min

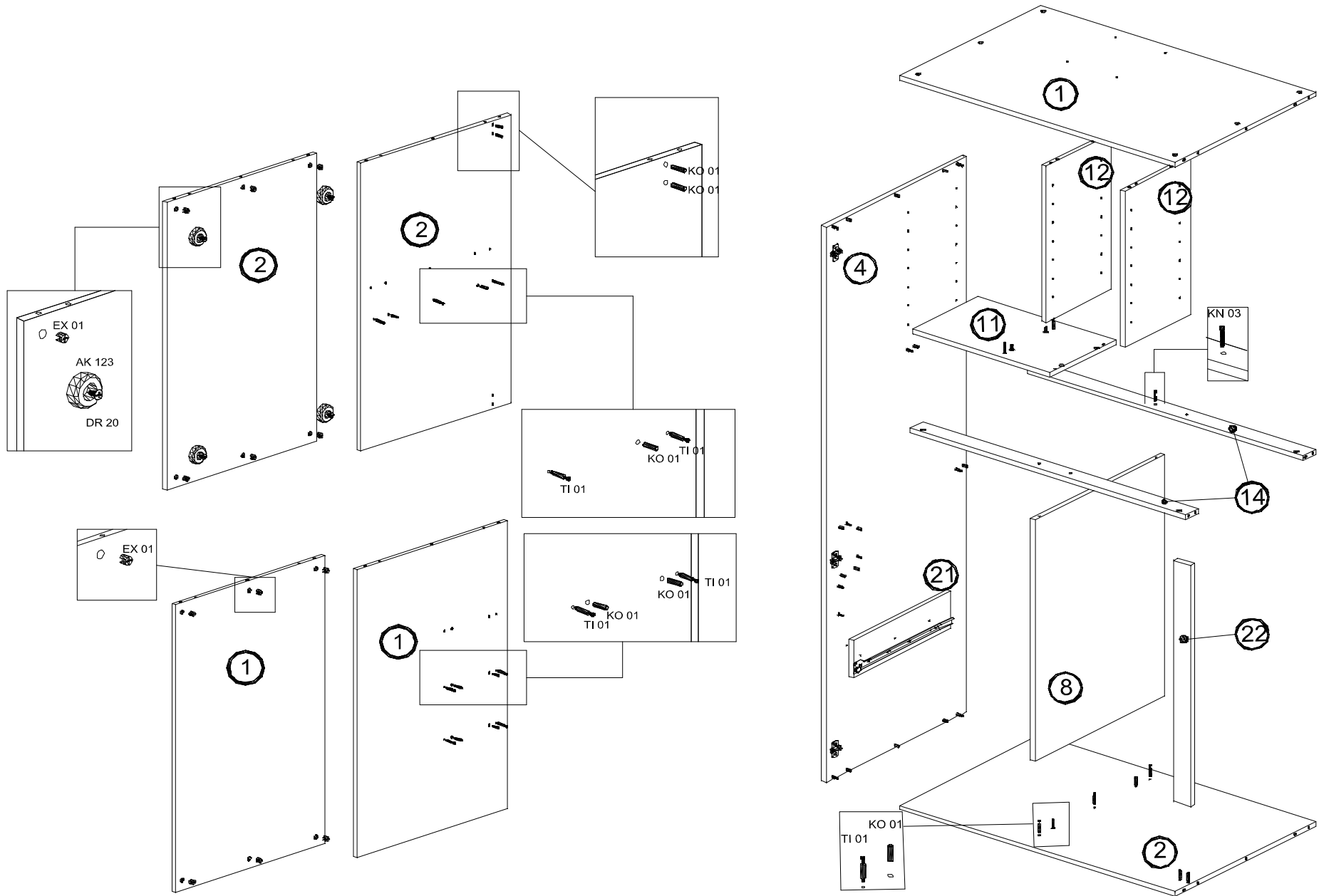
TYP	MASS	ST	BILD
KO 01	8*30	44	
KN 03	7*50	6	
TI 01	DU 232 Twister	29	
EX 01	15/16	29	
PP 01	5/5	20	
VG 02	450	1	
InPN 01	Nal 110°	6	
DR 27	3,5*16	30	
EU 02	6*11	6	
DR 20	4*20	4	
DR 25	4*25	5	
KV 01	1.5*20	30	
UC 54	224	2	
ME 37	M4*22	4	
AK 123	KLZ HE	4	
KL 01	4mm	1	

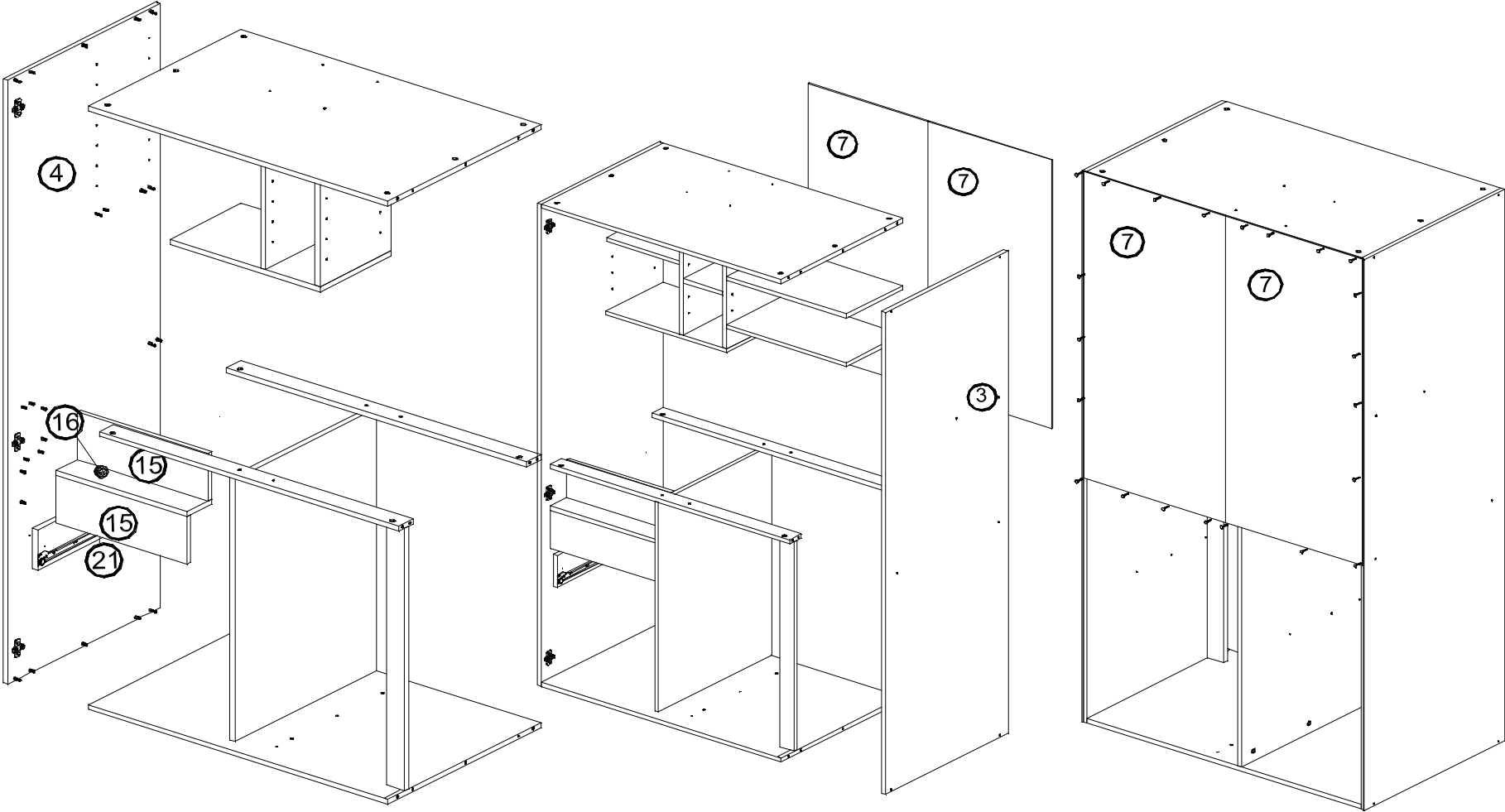


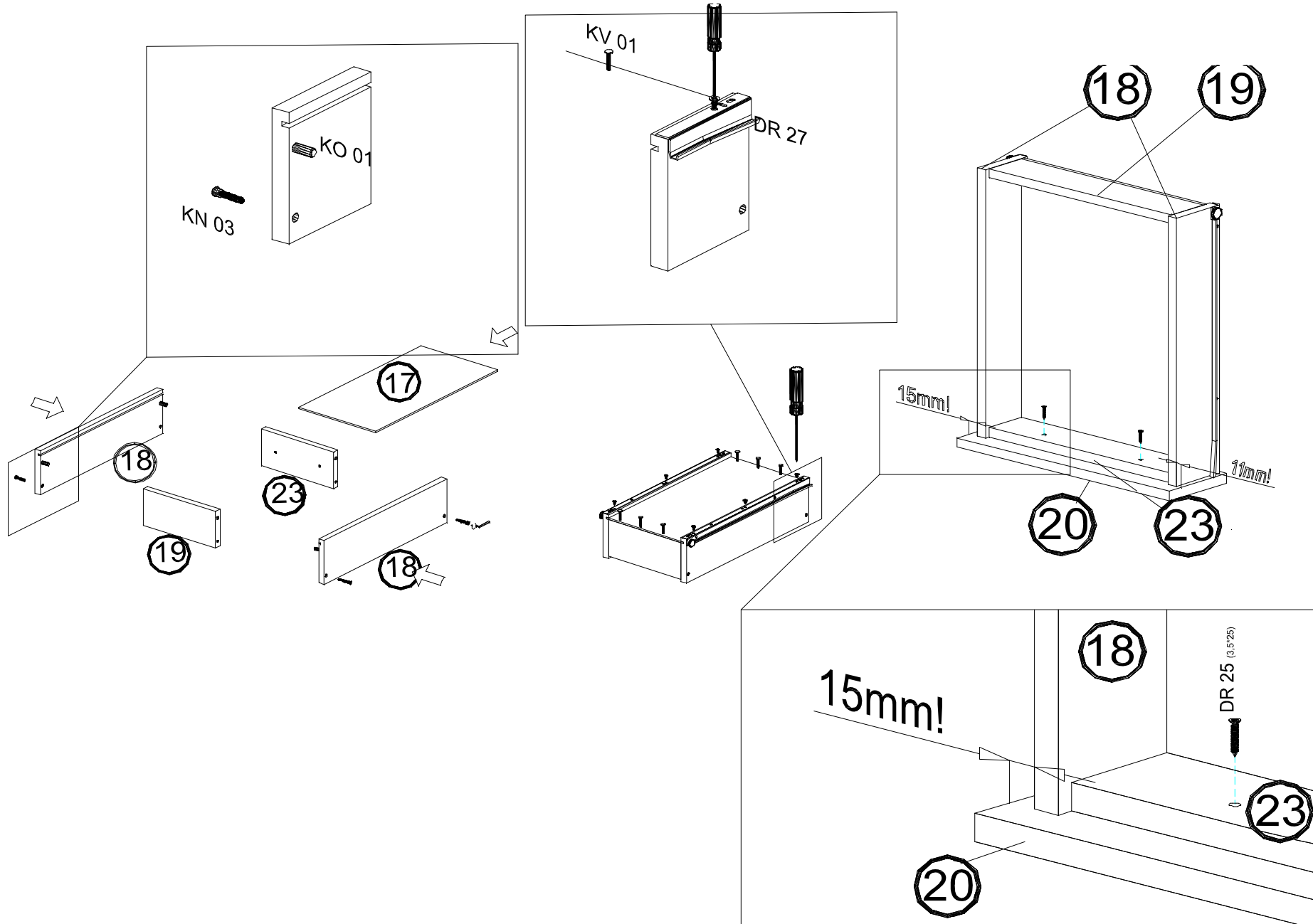


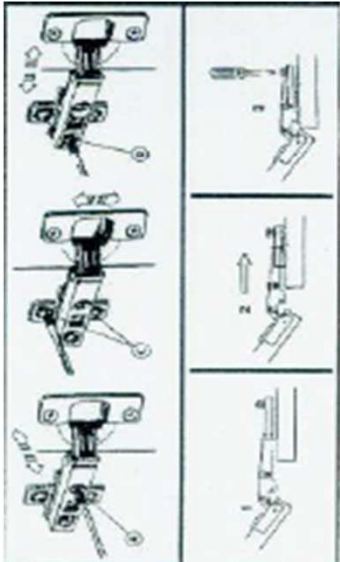
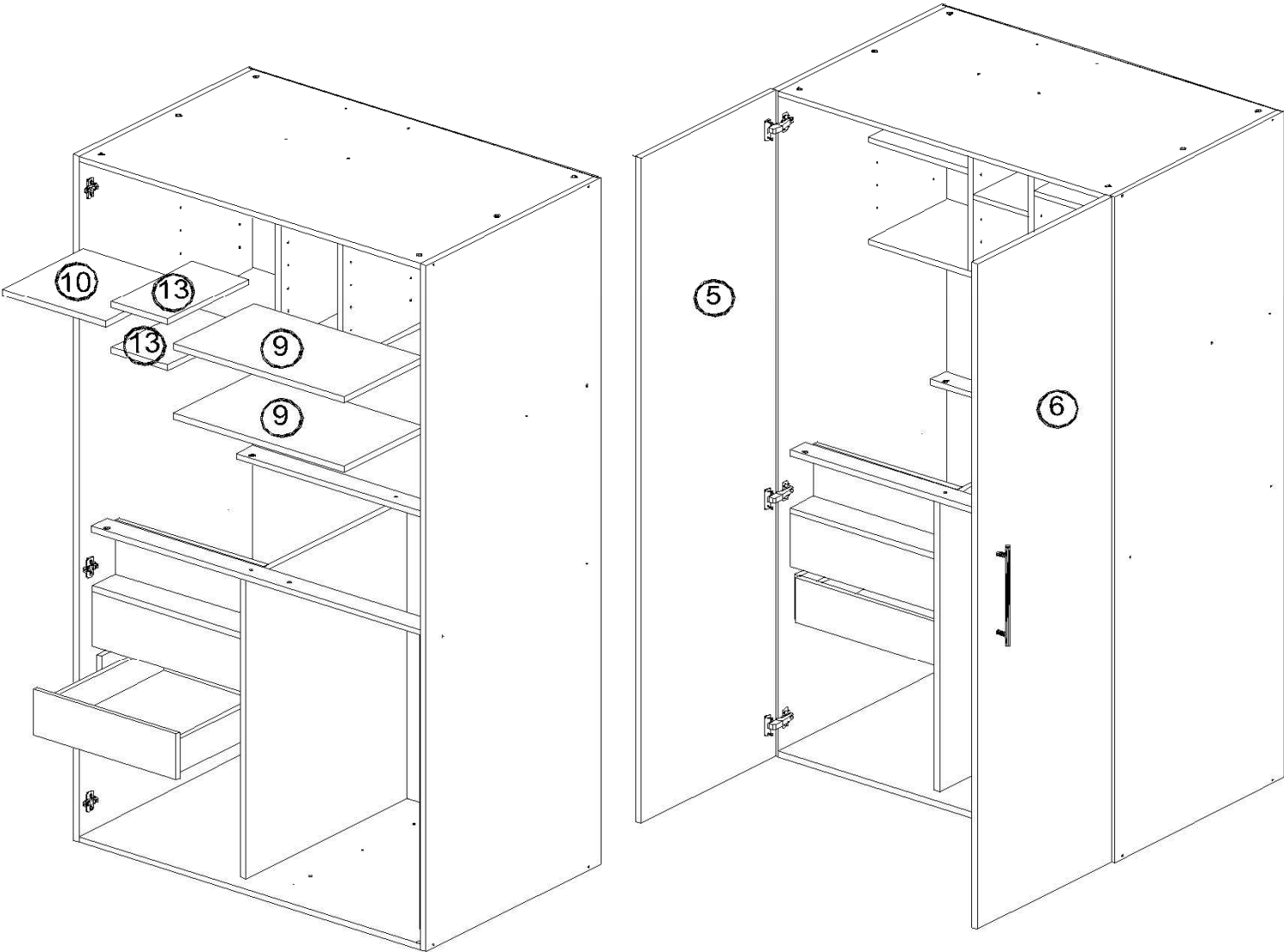














40min

TYP	MASS	ST	BILD
KO 01	8*30	44	
KN 03	7*50	6	
TI 01	DU 232 Twister	29	
EX 01	15/16	29	
PP 01	5/5	20	
VG 02	450	1	
InPN 01	Nal 110°	6	
DR 27	3,5*16	30	
EU 02	6*11	6	
DR 20	4*20	4	
DR 25	4*25	5	
KV 01	1.5*20	30	
UC 54	224	2	
ME 37	M4*22	4	
AK 123	KLZ HE	4	
KL 01	4mm	1	

