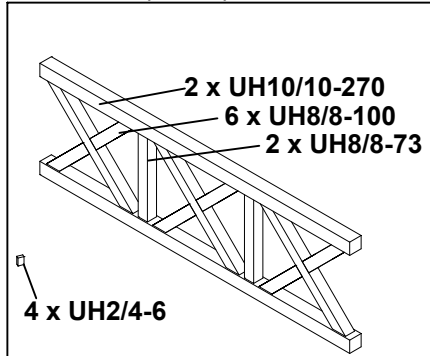



# Brüstung aus Andreaskreuzen für 4-Eck Pavillon

Parapet with St Andrew's cross design for pavillion

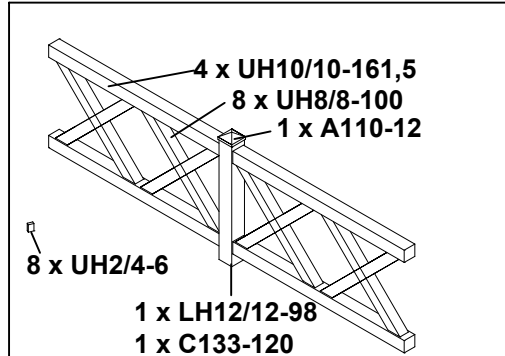



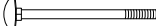


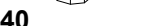


20938 5 (Gr. 1)

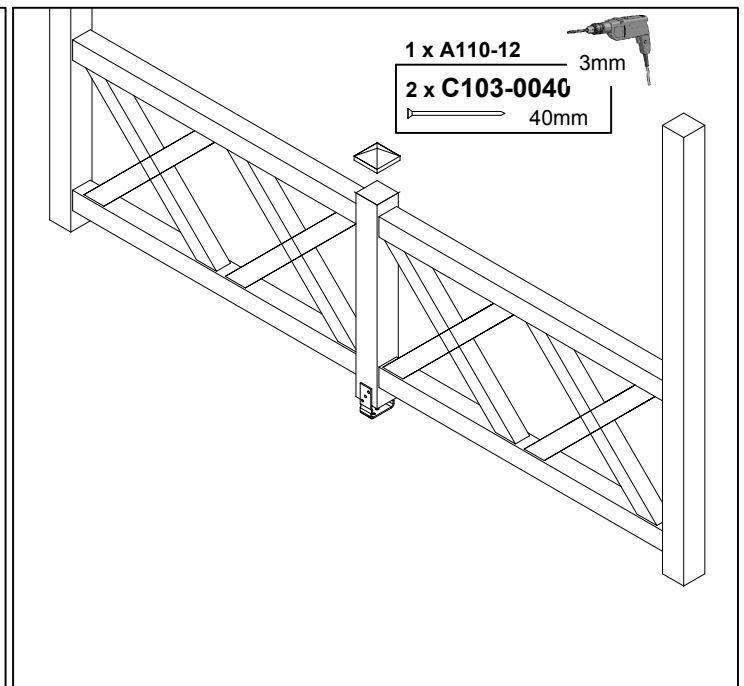
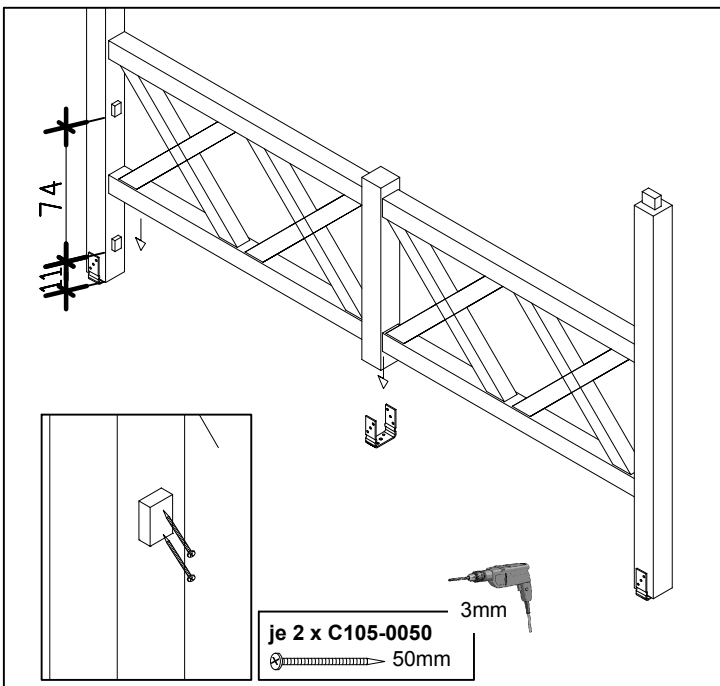
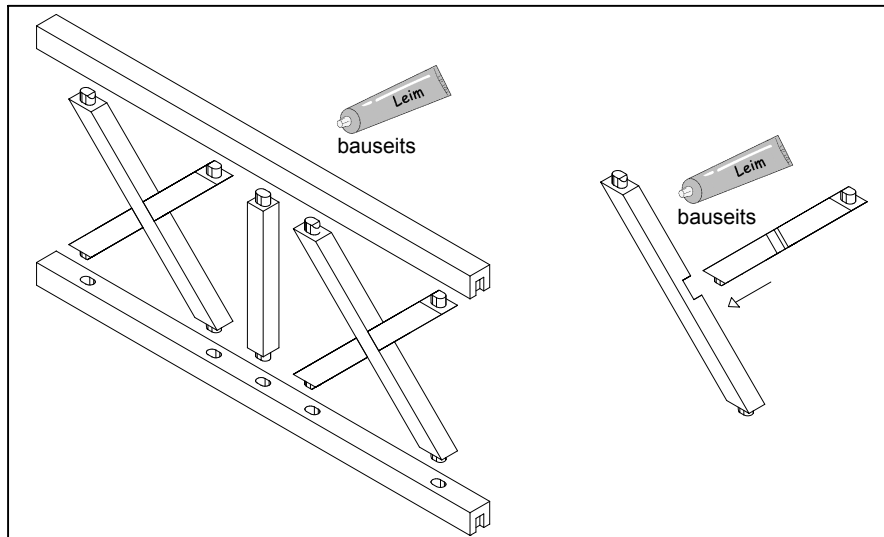


14 x C105-0050 

21005 3 (Gr. 2)



22 x C105-0050   
1 x C110-014   
5 x A108-16   
1 x C110-M8   
2 x C103-0040   
2 x C111-3   
4 x L208-070 

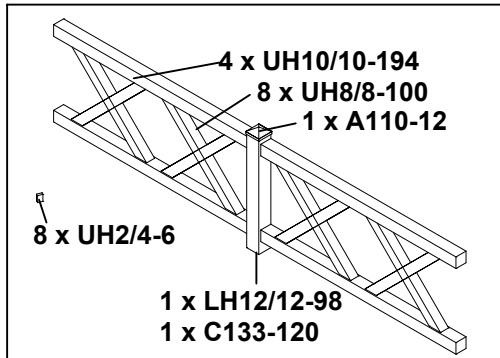


# Brüstung aus Andreaskreuzen für 4-Eck Pavillon

Parapet with St Andrew's cross design for pavillion

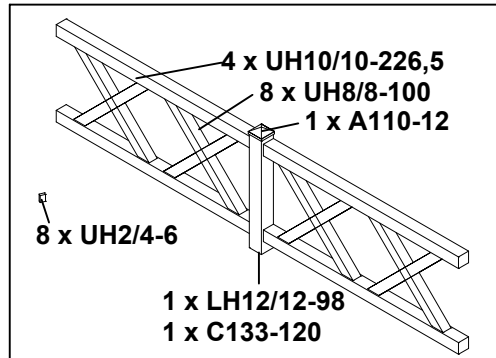


## 210060 (Gr. 3)

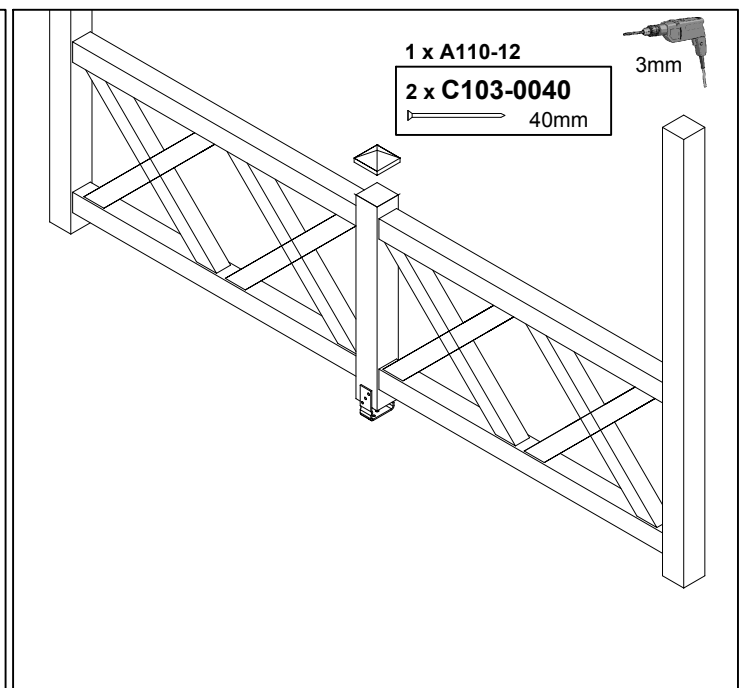
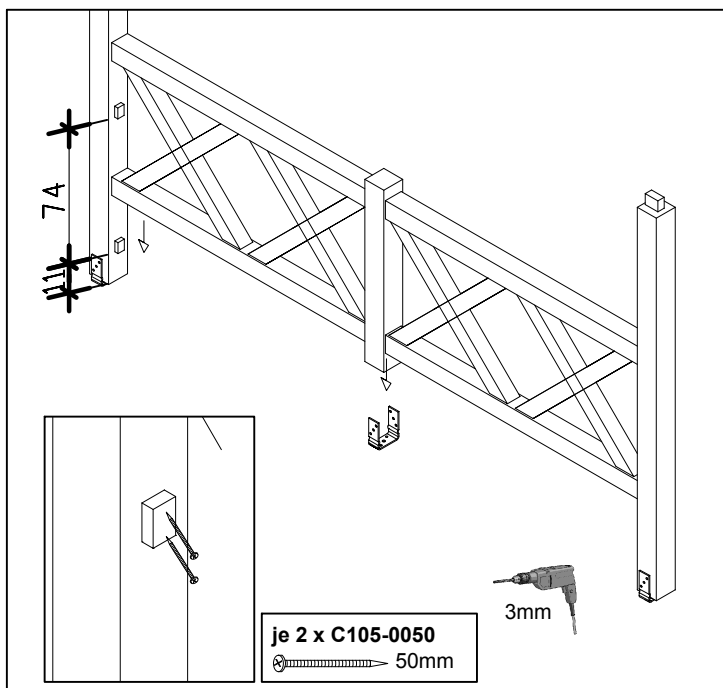
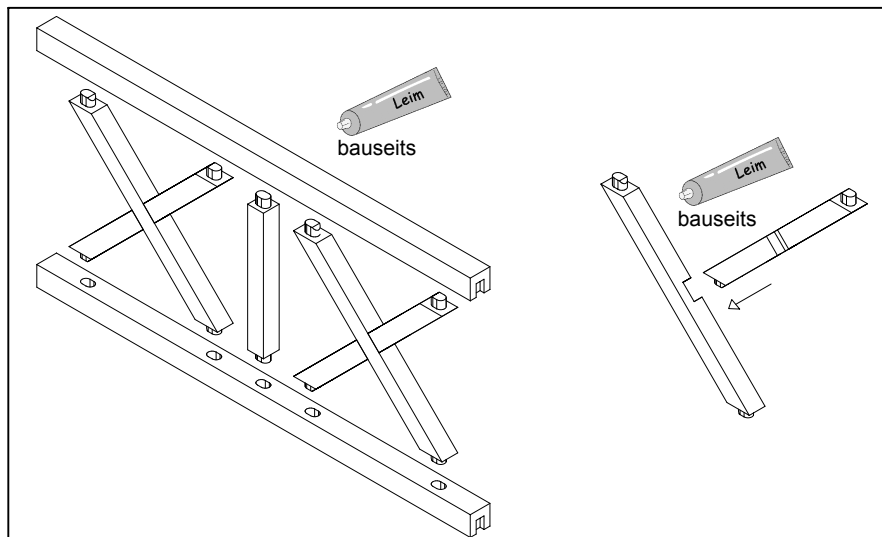


- 22 x C105-0050
- 1 x C110-014
- 5 x A108-16
- 1 x C110-M8
- 2 x C103-0040
- 2 x C111-3
- 4 x L208-070

## 210077 (Gr. 4)



- 22 x C105-0050
- 1 x C110-014
- 5 x A108-16
- 1 x C110-M8
- 2 x C103-0040
- 2 x C111-3
- 4 x L208-070



# Brüstung aus Andreaskreuzen für 4-Eck Pavillon

Parapet with St Andrew's cross design for pavillion



210008

	<p>14 x C105-0050  50mm</p> <p>2 x C103-0040  40mm</p>	<p>2 x C111-3 </p>
	<p><b>Pfostenplan / Postsplan</b></p>	<p>6mm</p>

je 2 x C105-0050 50mm 3mm

3mm

1 x A110-12

2 x C103-0040

40mm