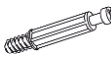






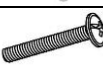




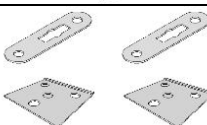
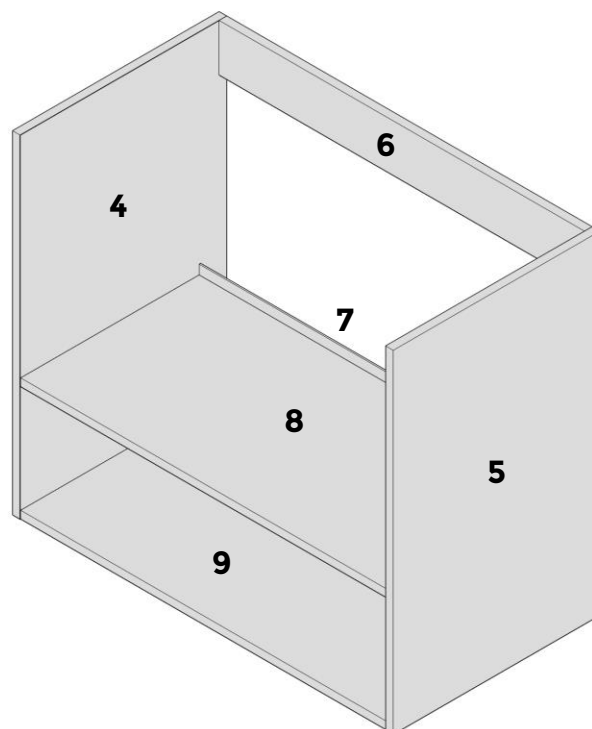
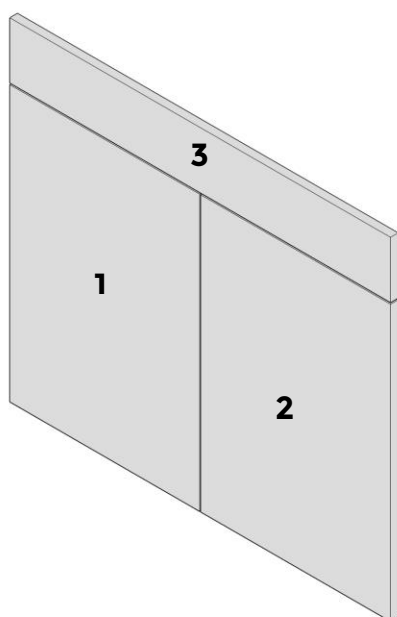


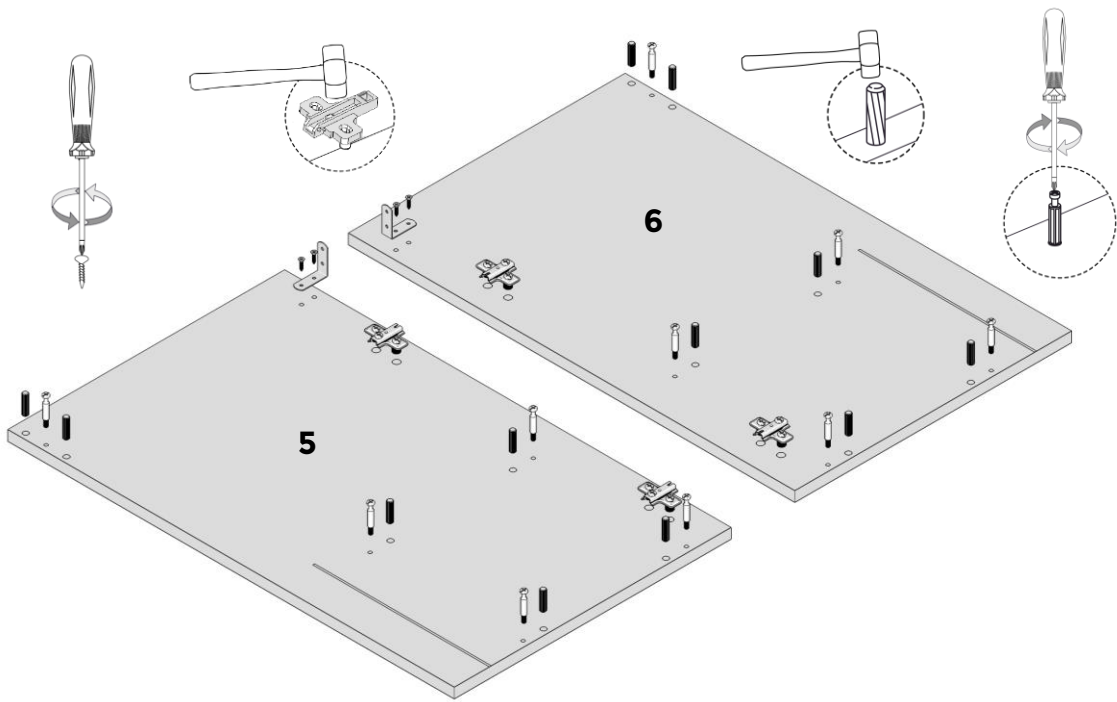
FRESH



A		x 10
B		X 12
C		X 2
D		X 28
E		X 4
F		X 12
G		X 4
H		X 4
I		X 2
J		X 2
K		X 6
L		X 4
M		X 1

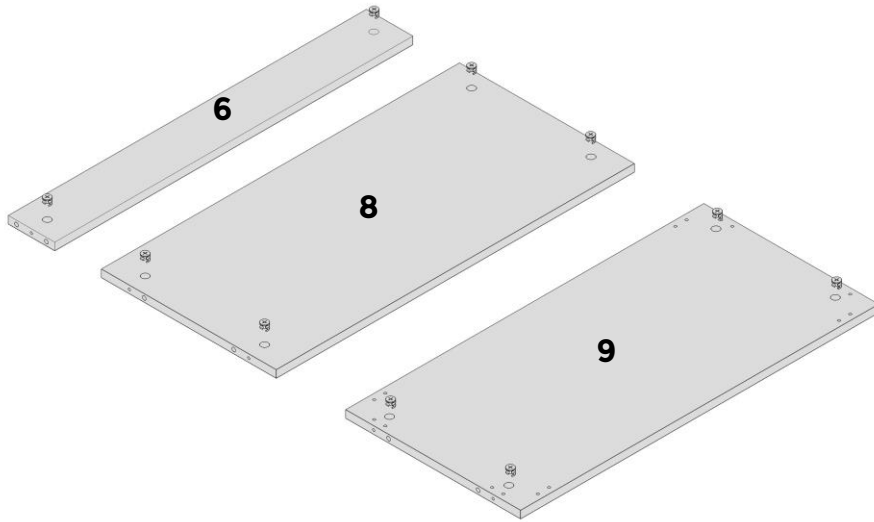


1



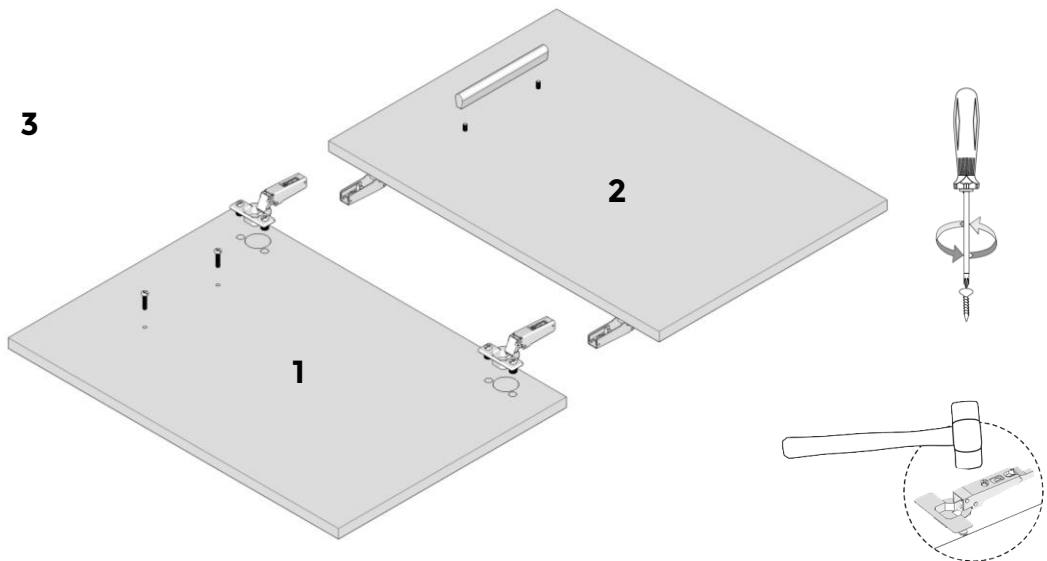
**Ax10
Bx12
Cx2
Dx4
Ex4**

2



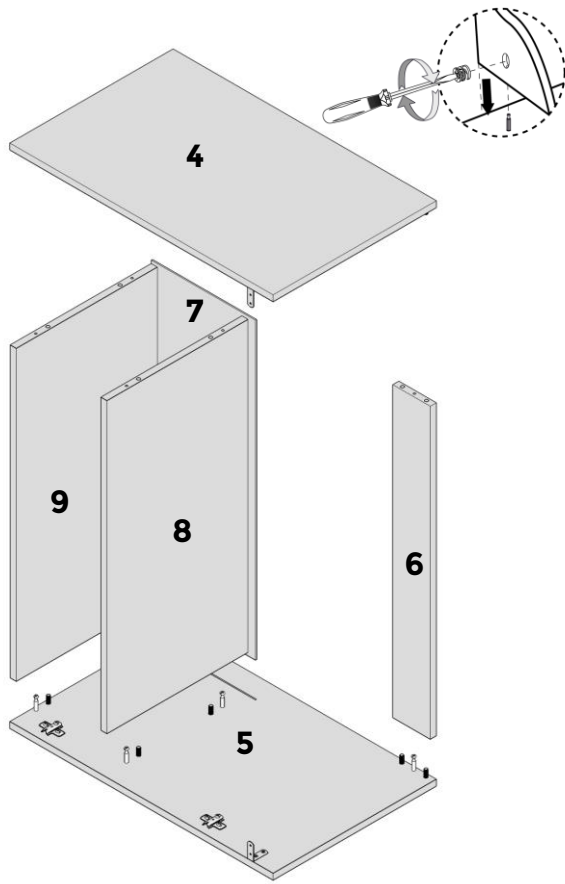
Fx12

3

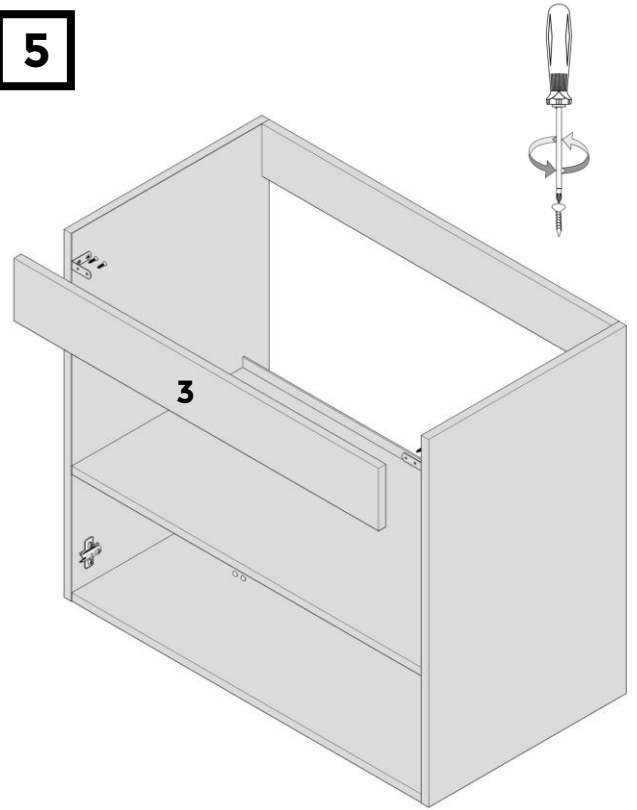


**Gx4
Hx4
Ix2**

4

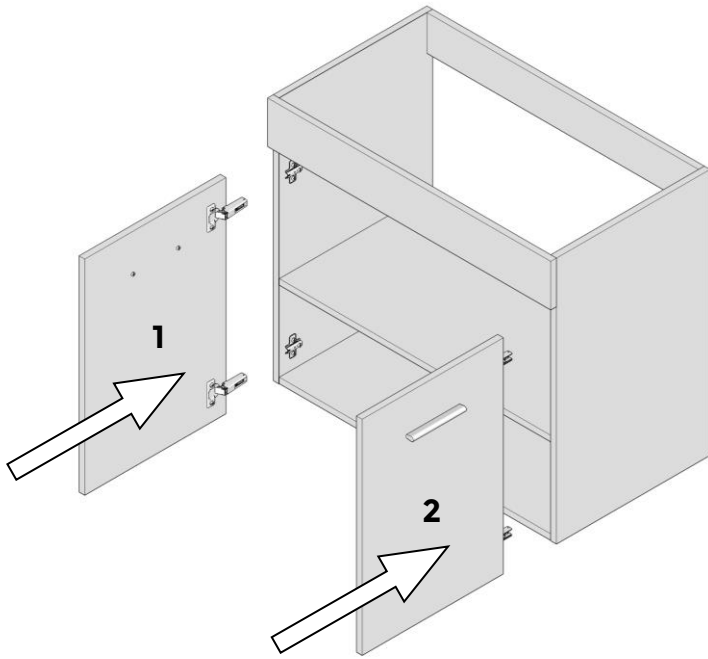


5

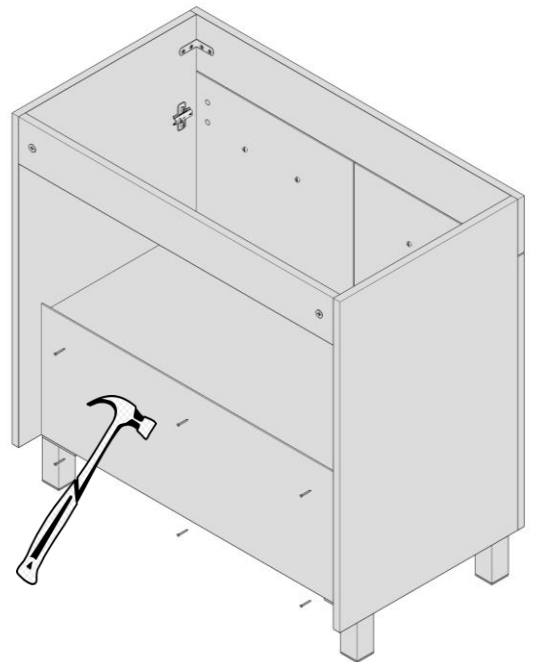


**Dx4
Jx2**

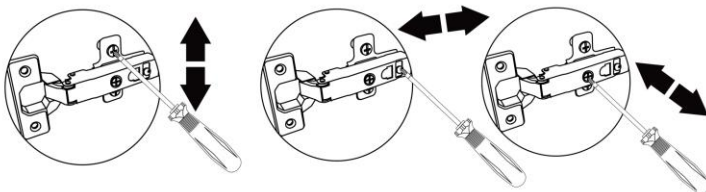
6



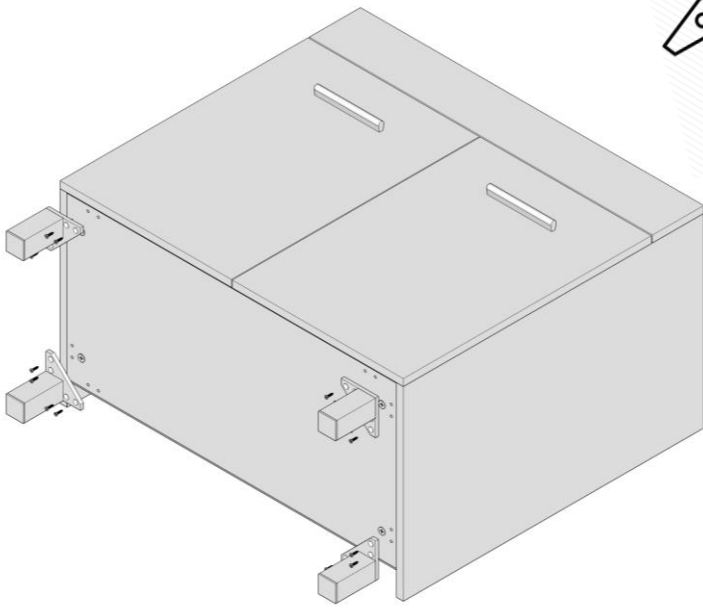
7



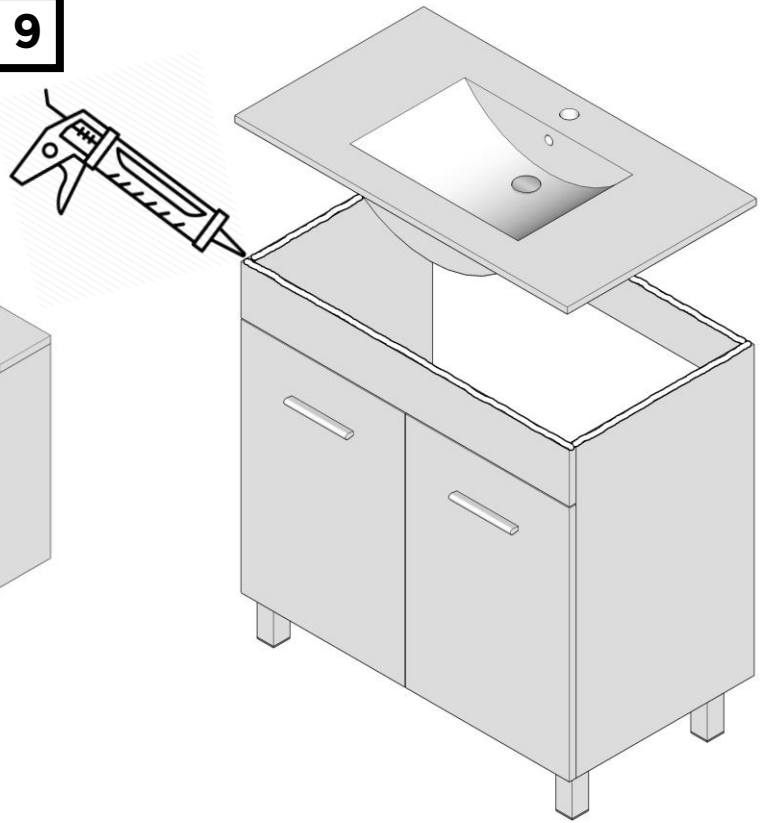
Kx6



8

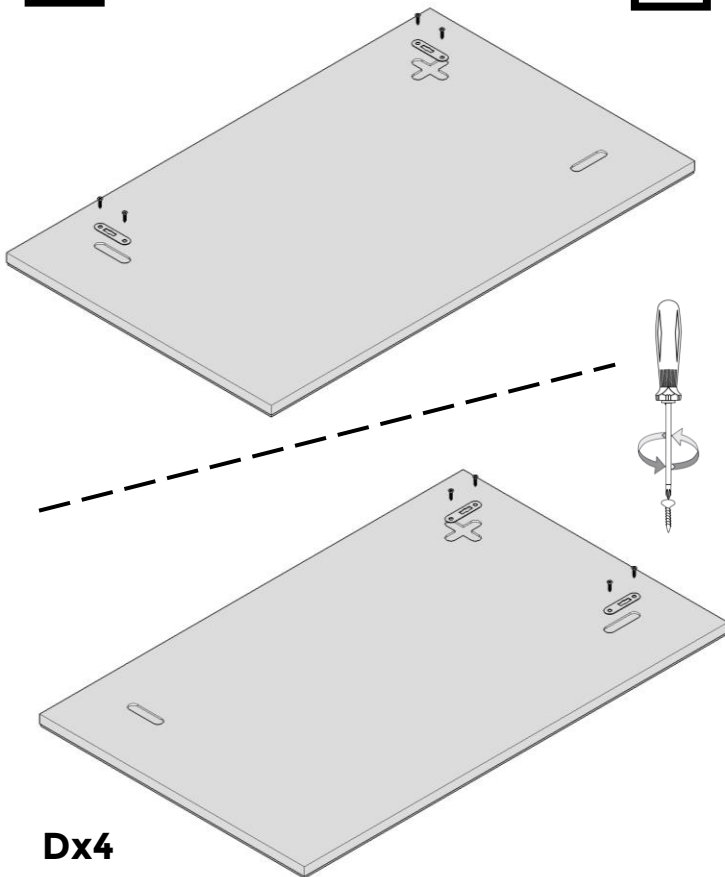


9

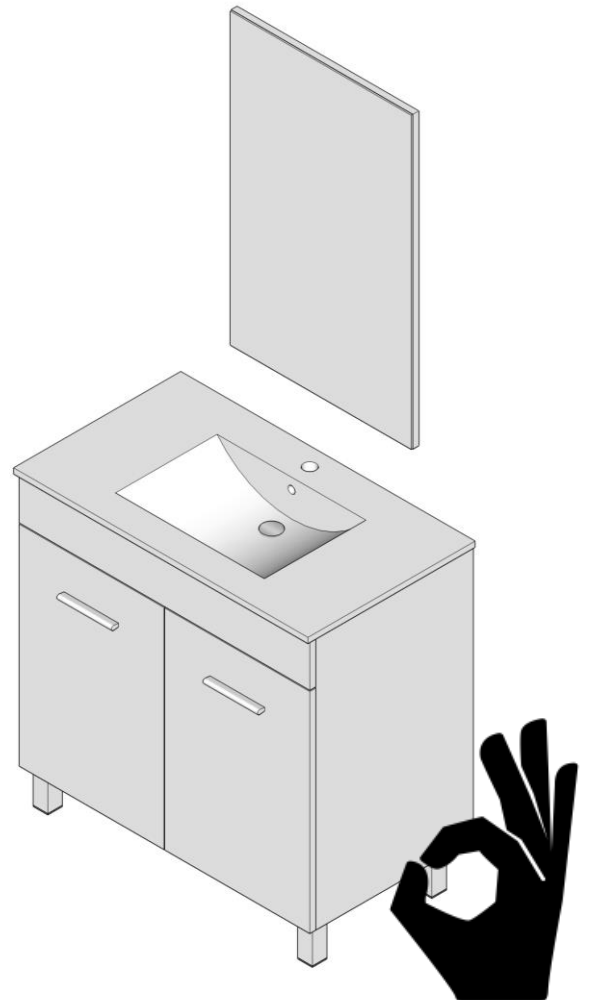


**Dx16
Lx4**

10



11



**Dx4
Mx2**