

EMS2203MM
KMSE203MM



EN	Microwave Oven	User Manual	2
ES	Manual De Usuario	El Horno Microondas	19
PT	Forno Microondas	Manual do utilizado	37



Electrolux

CONTENTS

1. SAFETY INFORMATION.....	3
2. INSTALLATION	7
3. PRODUCT DESCRIPTION	11
4. OPERATION	12
5. HINTS AND TIPS	15
6. TROUBLESHOOTING.....	17
7. TECHNICAL INFORMATION.....	18
8. ENVIRONMENT CONCERNS.....	18

WE'RE THINKING OF YOU

Thank you for purchasing an Electrolux appliance. You've chosen a product that brings with it decades of professional experience and innovation. Ingenious and stylish, it has been designed with you in mind. So whenever you use it, you can be safe in the knowledge that you'll get great results every time. Welcome to Electrolux.

Visit our website for:



Get usage advice, brochures, trouble shooter, service information:
www.electrolux.com



Register your product for better service:
www.electrolux.com/productregistration



Buy Accessories, Consumables and Original spare parts for your appliance:
www.electrolux.com/shop

CUSTOMER CARE AND SERVICE

We recommend the use of original spare parts.

When contacting Service, ensure that you have the following data available.

The information can be found on the rating plate. Model, PNC, Serial Number.



Warning/Caution-Safety information



General information and tips



Environmental information

Subject to change without notice.

1. SAFETY INFORMATION

This appliance can be used by children aged from 8 years and above and persons with reduced physical, sensory or mental capabilities or lack of experience and knowledge if they have been given supervision or instruction concerning use of the appliance in a safe way and understand the hazards involved. Children should be supervised to ensure that they do not play with the appliance. Cleaning and user maintenance shall not be made by children unless they are aged from 8 years and above and supervised.

This appliance is not intended for use at altitudes above 2000m.



IMPORTANT! IMPORTANT SAFETY INSTRUCTIONS: READ CAREFULLY AND KEEP FOR FUTURE REFERENCE.



WARNING!

If the door or door seals are damaged, the oven must not be operated until it has been repaired by a competent person.



WARNING!

It is hazardous for anyone other than a competent person to carry out any service or repair operation that involves the removal of a cover which gives protection against exposure to microwave energy.



WARNING!

Liquids and other foods must not be heated in sealed containers since they are liable to explode.

This appliance is intended to be used in household and similar applications such as: staff kitchen areas in shops, offices and other working environments; farm houses; by clients in hotels, motels and other residential environments; bed and breakfast type environments.

Only use microwave-safe containers and utensils.

Metallic containers for food and beverages are not allowed during microwave cooking.

Do not leave the oven unattended when using disposable plastic, paper or other combustible food containers.

The microwave oven is intended for heating food and beverages. Drying of food or clothing and heating of warming pads, slippers, sponges, damp cloth and similar may lead to risk of injury, ignition or fire.

If food being heated begins to smoke, **DO NOT OPEN THE DOOR**. Turn off and unplug the oven and wait until the food has stopped smoking. Opening the door while food is smoking may cause a fire.

Microwave heating of beverages can result in delayed eruptive boiling, therefore care has to be taken when handling the container.

The contents of feeding bottles and baby food jars shall be stirred or shaken and the temperature checked before consumption, in order to avoid burns.

Do not cook eggs in their shells and whole hard boiled eggs should not be heated in microwave ovens since they may explode even after microwave cooking has ended.

1.1 Care and cleaning

Door:

To remove all trace of dirt, regularly clean both sides of the door, the door seals and sealing surfaces with a soft, damp cloth. Do not use harsh abrasive cleaners or sharp metal scrapers to clean the oven door glass since they can scratch the surface, which may result in shattering of the glass.

Oven interior:

For cleaning, wipe any splatters or spills with a soft damp cloth or sponge after each use while the oven is still warm. For heavier spills, use a mild soap and wipe several times with a damp cloth until all residues are removed. Do not remove the waveguide cover. Make sure that mild soap or water does not penetrate the small vents in the walls which may cause damage to the oven. Do not use spray type cleaners on the oven interior. Clean the waveguide cover, the oven cavity, the turntable and turntable support after use. These must be dry and free from grease. Built-up grease may overheat and begin to smoke or catch fire.

Oven exterior:

The outside of your oven can be cleaned easily with mild soap and water. Make sure the soap is wiped off with a moist cloth, and dry the exterior with a soft towel.

Control panel:

Open the door before cleaning to de-activate the control panel. Care should be taken when cleaning the control panel. Using a cloth dampened with water only, gently wipe the panel until it becomes clean. Avoid using excessive amounts of water. Do not use any sort of chemical or abrasive cleaner.

Turntable and turntable support:

Remove the turntable and turntable support from the oven. Wash the turntable and turntable support in mild soapy water. Dry with a soft cloth. Both the turntable and the turntable support are dishwasher safe.



IMPORTANT!

Clean the oven at regular intervals and remove any food deposits. Failure to maintain the oven in a clean condition could lead to a deterioration of the

surface that could adversely affect the life of the appliance and possibly result in a hazardous situation.

Care should be taken not to displace the turntable when removing containers from the appliance.



IMPORTANT!

A steam cleaner should not be used.

The microwave oven is intended to be used built-in.

The appliance and its accessible parts become hot during use.



WARNING!

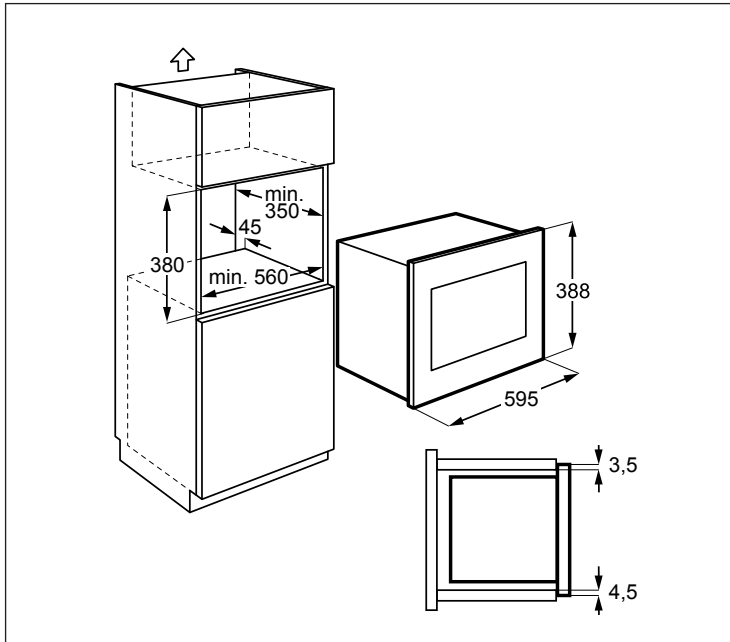
Children should be kept away to prevent them burning themselves.



IMPORTANT!

Do not use commercial oven cleaners, steam cleaners, abrasive, harsh cleaners, any that contain sodium hydroxide or scouring pads on any part of your microwave oven.

2. INSTALLATION



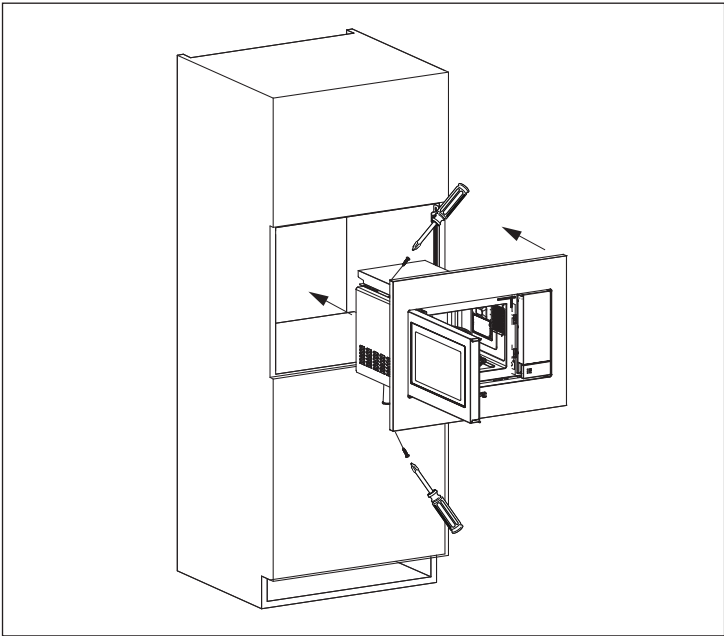
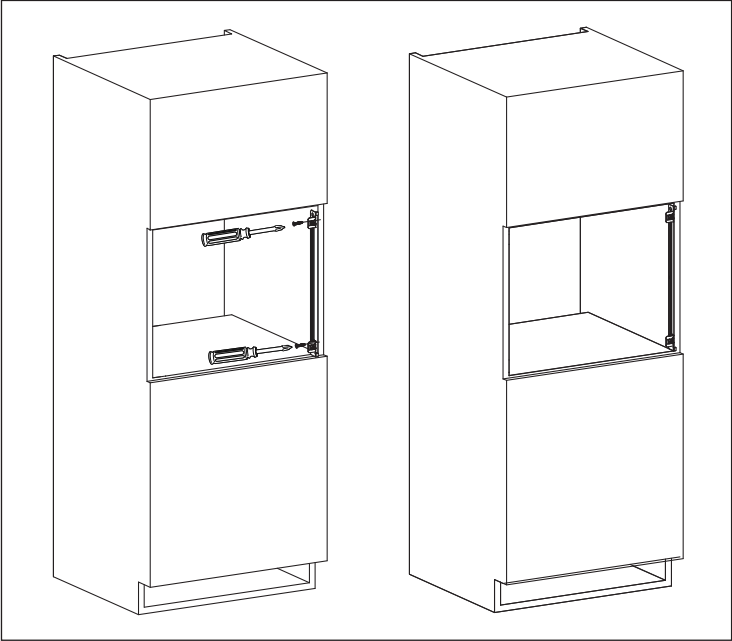
2.1 Installing the appliance

1. Remove all packaging and check carefully for any signs of damage.
2. Fit the fixing bracket to the right hand side of the kitchen cupboard using the installation sheet and two screws supplied.
3. Fit the appliance into the kitchen cupboard slowly and without force until it clips into the brackets. Ensure the appliance is stable and centralised.
4. Fix the oven on the left hand side using the two screws supplied.
5. The front frame of the appliance should seal against the front opening of the cupboard.

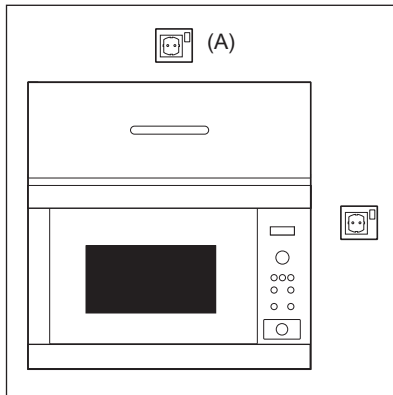


IMPORTANT!

Do not install this appliance in kitchen cupboards without the specified 45mm rear chimney. Inadequate ventilation could adversely affect the performance and life of the appliance.



2.2 Connecting the appliance to the power supply



- The electrical outlet should be readily accessible so that the unit can be unplugged easily in an emergency. Or it should be possible to isolate the oven from the supply by incorporating a switch in the fixed wiring in accordance with the wiring rules.
- The power supply cord may only be replaced by an electrician.
- If the supply cord is damaged it must be replaced by the manufacturer, its service agent or similarly qualified persons in order to avoid a hazard.
- The socket should not be positioned behind the cupboard.
- The best position is above the cupboard, see (A).
- Connect the appliance to a single phase 230 V/50 Hz alternating current via a correctly installed earth socket. The socket must be fused with a 10 A fuse.
- Before installing, tie a piece of string to the power supply cord to facilitate connection to point (A) when the appliance is being installed.
- When inserting the appliance into the high-sided cupboard, DO NOT crush the power supply cord.
- Do not immerse the power supply cord or plug in water or any other liquid.
- Do not allow the power supply cord to run over any hot or sharp surfaces, such as the hot air vent area at the top rear of the oven.

2.3 Additional advice

Do not use the microwave oven to heat oil for deep frying. The temperature cannot be controlled and the oil may catch fire. To make popcorn, only use special microwave popcorn makers.

Individuals with PACEMAKERS should check with their doctor or the manufacturer of the pacemaker for precautions regarding microwave ovens.

Never spill or insert any objects into the door lock openings or ventilation openings. In the event of a spill, turn off and unplug the oven immediately and call an authorised ELECTROLUX service agent.

Never modify the oven in any way.

Only use the turntable and the turntable support designed for this oven. Do not operate the oven without the turntable.

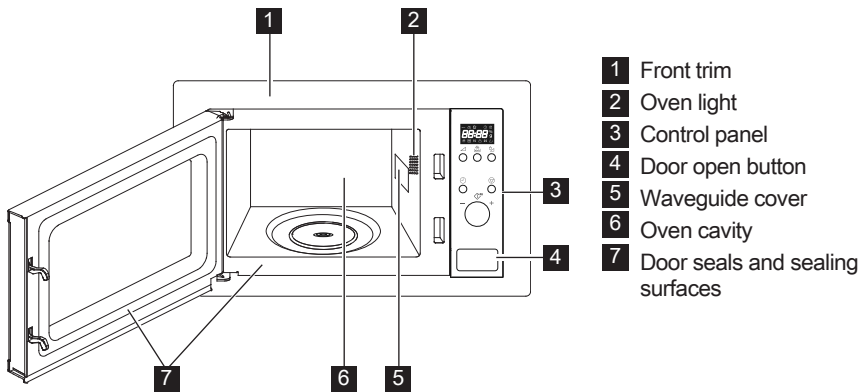
To prevent the turntable from breaking:

- Before cleaning the turntable with water, leave the turntable to cool.
- Do not put hot foods or hot utensils on a cold turntable.
- Do not put cold foods or cold utensils on a hot turntable.

Neither the manufacturer nor the dealer can accept any liability for damage to the oven or personal injury resulting from failure to observe the correct electrical connection procedure. Water vapour or drops may occasionally form on the oven walls or around the door seals and sealing surfaces. This is a normal occurrence and is not an indication of microwave leakage or a malfunction.

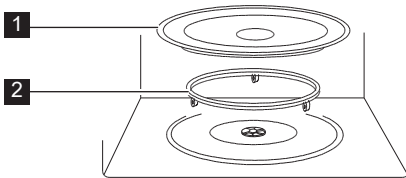
3. PRODUCT DESCRIPTION

3.1 Microwave oven



- 1** Front trim
- 2** Oven light
- 3** Control panel
- 4** Door open button
- 5** Waveguide cover
- 6** Oven cavity
- 7** Door seals and sealing surfaces

3.2 Accessories



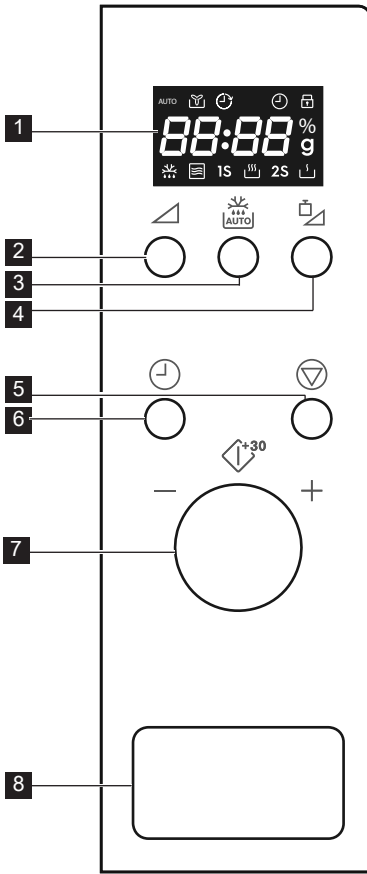
Check to make sure the following accessories are provided:

- 1** Turntable
- 2** Turntable support

- Place the turntable support on the floor of the cavity.
- Then place the turntable on the turntable support.
- To avoid turntable damage, ensure dishes or containers are lifted clear of the turntable rim when removing them from the oven.

i When you order accessories, please mention two items: part name and model name to your dealer or an authorised ELECTROLUX service agent.

3.3 Control panel



- 1** Digital display indicators:
 - 2** Power level button
 - 3** Auto defrost button
 - 4** Weight adjust button
 - 5** Pause/cancel button
 - 6** Clock button
 - 7** Knob
 - 8** Door open button
- AUTO Auto
 - Fan Fan
 - Clock Clock
 - Child safety lock Child safety lock
 - 8888 Display segments
 - % Microwave power level
 - g Weight
 - Defrost Defrost
 - Microwave Microwave
 - High High
 - Low Low

4. OPERATION

4.1 Plug in

When the oven is plugged in for the first time you have the option of setting the clock. The oven has a 24hr clock.

Example: To set the clock.

1. In standby mode, press the **CLOCK** button once to set the clock.
2. Rotate the knob to adjust the hour.

3. Press the **CLOCK** button to confirm.
4. Rotate the knob to adjust the minutes.
5. Press the **CLOCK** button to confirm the setting.

i During cooking, you can press the **CLOCK** button to check the time of day.

4.2 Microwave cooking

Microwave cooking allows you to customize the cooking power and time. Maximum cooking time is 95 minutes.

Example: To cook for 5 minutes at 60 % power level.

1. Open the oven door and place the food inside. Close the door.
2. Press the **POWER LEVEL** button 3 times.
3. Rotate the knob to enter the cooking time.
4. Press the knob to start cooking.

i To check the microwave power level during cooking press the **POWER LEVEL** button. The power level default is 100 %.

At the end of cooking, the system will beep and End is displayed.

Before starting another cooking session, press any button to clear the display and reset the system. Power levels that are too high or cooking times that are too long may overheat foods resulting in a fire.

Power Level Button	Power Level
x 1	100 %
x 2	80 %
x 3	60 %
x 4	40 %
x 5	20 %
x 6	0 %

4.3 Reduced power level

Cooking Mode	Standard Time	Reduced Power Level
Microwave	100 % 30'00	Microwave 80 %

4.4 Quick start

You can directly start cooking on 100 % for 30 seconds by pressing the knob. Each time you press the knob the cooking time will increase by 30 seconds.

i To add more time press the knob.

4.5 Auto cook

Auto cook automatically works out the correct cooking mode and cooking time. You can choose from 8 menus.

Auto Cook Food	Weight
A - 01 Milk/Coffee	1-3 cups
A - 02 Rice	150-600 g
A - 03 Spaghetti	100-300 g
A - 04 Potato	1-3 pcs
A - 05 Auto Reheat	200-800 g
A - 06 Fish	200-600 g
A - 07 Pizza	150-450 g
A - 08 Popcorn	99 g

1. Open the oven door and place the food inside. Close the door.
2. Rotate the knob anti clockwise to select the food.
3. Press the **WEIGHT ADJUST** button to select amount or weight.
4. Press the knob to start cooking.

i When the oven beeps, turn the food over, close the oven door and press the knob to resume cooking.

4.6 Auto defrost

Auto defrost automatically works out the correct cooking mode and cooking time. You can defrost between 100g and 1800g of food.

Example: To defrost 500g of food.

1. Open the oven door and place the food inside. Close the door.
2. Press the **AUTO DEFROST** button once.
3. Press the **WEIGHT ADJUST** button to select the weight.
4. Press the knob to start defrosting.

i When the oven beeps, turn the food over, close the oven door and press the knob to resume cooking.

4.7 Child safety lock


The child proof lock prevents unsupervised operation by children. The child safety lock is automatically enabled after 1 minute of no operation by the user. To cancel open the door.

4.8 Pause

To pause whilst the microwave is running.

1. Press the **PAUSE/CANCEL** button once to enter pause mode during cooking.
2. Press the knob to continue cooking.

Press the **PAUSE/CANCEL** button twice to cancel cooking.


 The oven will stop operating when the door is opened.


5. HINTS AND TIPS

5.1 Microwave safe cookware

Cookware	Microwave safe	Comments
Aluminium foil/containers	✓ / ✗	Small pieces of aluminium foil can be used to shield food from overheating. Keep foil at least 2 cm from the oven walls, as arcing may occur. Foil containers are not recommended unless specified by the manufacturer. Follow instructions carefully.
China and ceramics	✓ / ✗	Porcelain, pottery, glazed earthenware and bone china are usually suitable, except for those with metallic decoration.
Glassware e.g. Pyrex®	✓	Care should be taken if using fine glassware as it can break or crack if heated suddenly.
Metal	✗	It is not recommended to use metal cookware when using microwave power as it will arc, which can lead to fire.
Plastic/polystyrene e.g. fast food containers	✓	Care must be taken as some containers warp, melt or discolour at high temperatures.
Freezer/roasting bags	✓	Must be pierced to let steam escape. Ensure bags are suitable for microwave use. Do not use plastic or metal ties, as they may melt or catch fire due to the metal arcing.
Paper-plates, cups and kitchen paper	✓	Only use for warming or to absorb moisture. Care must be taken as overheating may cause fire.
Straw and wooden containers	✓	Always attend the oven when using these materials as overheating may cause fire.
Recycled paper and newspaper	✗	May contain extracts of metal which will cause arcing and may lead to fire.

5.2 Microwave cooking advice

Microwave cooking advice	
Composition	Foods high in fat or sugar (e.g. Christmas pudding, mince pies) require less heating time. Care should be taken as overheating can lead to fire.
Size	For even cooking make all the pieces the same size.
Temperature of food	The initial temperature of food affects the amount of cooking time needed. Cut into foods with fillings (e.g. jam doughnuts) to release heat or steam.
Arrange	Place the thickest parts of food towards the outside of the dish (e.g. chicken drumsticks).
Cover	Use vented microwave cling film or a suitable lid.
Pierce	Foods with a shell, skin or membrane must be pierced in several places before cooking or reheating as steam will build up and may cause food to explode (e.g. potatoes, fish, chicken, sausages).  IMPORTANT! Eggs should not be heated using microwave power as they may explode, even after cooking has ended (e.g. poached, hard boiled).
Stir, turn and rearrange	For even cooking it is essential to stir, turn and rearrange food during cooking. Always stir and rearrange from the outside towards the centre.
Stand	Standing time is necessary after cooking to enable the heat to disperse equally throughout the food.
Shield	Warm areas can be shielded with small pieces of foil, which reflect microwaves (e.g. legs and wings on a chicken).

-  Use pot holders or oven gloves when removing food from the oven to prevent burns. Always open containers, popcorn makers, oven cooking bags, etc., away from the face and hands to avoid steam burns. Always stand back from the oven door when opening to avoid burns from escaping steam and heat. Slice stuffed baked foods after heating to release steam and avoid burns.

6. TROUBLESHOOTING

Problem	Check if . . .
The microwave appliance is not working properly?	<ul style="list-style-type: none"> • The fuses in the fuse box are working. • There has not been a power outage. • If the fuses continue to blow, please contact a qualified electrician.
The microwave mode is not working?	<ul style="list-style-type: none"> • The door is properly closed. • The door seals and their surfaces are clean. • The START key has been pressed.
The turntable is not turning?	<ul style="list-style-type: none"> • The turntable support is correctly connected to the drive. • The ovenware does not extend beyond the turntable. • Food does not extend beyond the edge of the turntable preventing it from rotating. • There is nothing in the well beneath the turntable.
The microwave will not switch off?	<ul style="list-style-type: none"> • Isolate the appliance from the fuse box. • Call an authorised ELECTROLUX service agent.
The interior light is not working?	<ul style="list-style-type: none"> • Call your authorised ELECTROLUX service agent. The interior light can be exchanged only by a trained authorised ELECTROLUX service agent.
The food is taking longer to heat through and cook than before?	<ul style="list-style-type: none"> • Set a longer cooking time (double quantity = nearly double time) or • If the food is colder than usual, rotate or turn from time to time or • Set a higher power setting.




If the oven operates in any mode for 3 minutes or longer, the fan will stay on for 2 minutes after the cooking ends.

7. TECHNICAL INFORMATION


AC Line Voltage	230 V, 50 Hz, single phase	
Distribution line fuse/circuit breaker	Minimum 10 A	
AC Power required:	Microwave	1.2 kW
Output power:	Microwave	700 W (IEC 60705)
Microwave Frequency	2450 MHz ¹⁾ (Group 2/Class B)	
Outside Dimensions:	EMS2203MM	595 mm (W) x 388 mm (H) x 347 mm (D)
	KMSE203MM	595 mm (W) x 388 mm (H) x 347 mm (D)
Cavity Dimensions	315 mm (W) x 210 mm (H) x 329 mm (D) ²⁾	
Oven Capacity	20 litres ²⁾	
Turntable	ø 245 mm, glass	
Weight	approx. 12.8 kg	

- 1) This Product fulfils the requirement of the European standard EN55011. In conformity with this standard, this product is classified as group 2 class B equipment. Group 2 means that the equipment intentionally generates radio-frequency energy in the form of electromagnetic radiation for the heat treatment of food. Class B equipment means that the equipment is suitable to be used in domestic establishments.
- 2) Internal capacity is calculated by measuring maximum width, depth and height. Actual capacity for holding food is less.

8. ENVIRONMENT CONCERNS

Recycle materials with the symbol . Put the packaging in applicable containers to recycle it.

Help protect the environment and human health and recycle waste electrical and electronic appliances.

Do not dispose of appliances marked with the symbol  with household waste. Return the product to your local recycling facility or contact your municipal office.

INDICE

1. MEDIDAS IMPORTANTES DE SEGURIDAD.....	20
2. INSTALACIÓN.....	25
3. DESCRIPCIÓN DEL PRODUCTO.....	29
4. FUNCIONAMIENTO.....	30
5. CONSEJOS Y RECOMENDACIONES	33
6. ¿QUÉ HACER SI.....	35
7. ESPECIFICACIONES	36
8. INFORMACIÓN MEDIOAMBIENTAL	36

PENSAMOS EN USTED

Gracias por adquirir un aparato Electrolux. Ha escogido un producto que contiene décadas de experiencia e innovación profesionales. Ingenioso y elegante, se ha diseñado pensando en usted. Así pues, siempre que lo utilice, puede tener la seguridad de que conseguirá excelentes resultados. Bienvenido a Electrolux.

Visite nuestro sitio web para:



Obtener consejos, folletos, soluciones a problemas e información de servicio:
www.electrolux.com



Registrar su producto para recibir un mejor servicio:
www.electrolux.com/productregistration



Adquirir accesorios, artículos de consumo y recambios originales para su aparato:
www.electrolux.com/shop

ATENCIÓN Y SERVICIO AL CLIENTE


Le recomendamos que utilice recambios originales.

Al contactar con el Servicio, cerciórese de tener la siguiente información a mano.

La información se puede encontrar en la placa de características. Modelo, PNC, Número de serie.

 Advertencia - Precaución-Información sobre seguridad

 Información general y consejos

 Información medioambiental

Sujeto a cambios sin previo aviso.

1. ⚠️ MEDIDAS IMPORTANTES DE SEGURIDAD

Este aparato puede ser usado por niños de 8 años o mayores y personas con las capacidades físicas, sensoriales o mentales reducidas, o falta de experiencia y conocimientos, si han recibido supervisión o instrucciones referentes al uso del aparato de forma segura y si comprenden los riesgos que conlleva. Los niños pueden utilizar los hornos de microondas sólo cuando estén bajo supervisión de las personas mayores. La limpieza y el mantenimiento de usuario no deberían ser realizados por niños menores de 8 años y sin supervisión.

Este aparato no está diseñado para uso en altitudes superiores a 2.000 metros.



¡IMPORTANTE! INSTRUCCIONES DE SEGURIDAD IMPORTANTES: LÉALAS ATENTAMENTE Y CONSÉRVELAS PARA CONSULTAS FUTURAS.



¡ADVERTENCIA!

Si los sellos de la puerta o la puerta están dañados, no utilice el horno hasta que haya sido reparado por una persona cualificada.



¡ADVERTENCIA!

Es peligroso para cualquier persona que no esté especializada llevar a cabo operaciones de mantenimiento o reparación que conlleven la retirada de una cubierta que ofrece protección contra la exposición a la energía de microondas.



¡ADVERTENCIA!

No caliente líquidos ni otros alimentos en recipientes cerrados ya que podrían explotar.

Este dispositivo ha sido diseñado para ser utilizado en el hogar o ámbitos similares, tales como: áreas de cocina

para el personal en tiendas, oficinas y otros entornos laborales; casas de campo; para clientes en hoteles, moteles y otros entornos residenciales; entornos de posadas y hostales.

Utilice sólo recipientes, envases y utensilios adecuados para cocinar con microondas.

No se permite el uso de contenedores metálicos para comidas y bebidas al cocinar en el microondas.

No deje el horno funcionando sin que haya alguien controlando su cocción cuando emplee envases desechables de plástico, papel u otros materiales combustibles para calentar o cocinar la comida.

El horno microondas ha sido diseñado para calentar alimentos y bebidas. Secar alimentos o prendas de vestir y calentar almohadillas térmicas, zapatillas de baño, esponjas, trapos húmedos o artículos similares puede generar riesgo de lesiones, ignición o incendio.

Si ve que sale humo de la comida que se está calentando en el horno, **NO ABRA LA PUERTA**. Apague y desenchufe el horno y espere hasta que deje de salir humo. Si abre la puerta mientras sale humo de la comida podría causar un incendio.

El calentamiento de bebidas en el microondas puede dar lugar a un retraso en la ebullición, por lo tanto el cuidado tiene que ser tomado al manejar el envase.

Se debe remover y agitar el contenido de los biberones y los envases de comida para bebés, y revisar la temperatura antes de su consumo con el fin de evitar quemaduras.

No cocine huevos con la cáscara ni caliente huevos cocidos duros enteros en hornos microondas ya que podrían explotar incluso después de haber terminado de calentarlos el microondas.

1.1 Limpieza & mantenimiento

Puerta:

Para retirar cualquier suciedad, limpiar a menudo con un paño húmedo la puerta por ambos lados, la junta de la puerta, y las superficies de contacto. No utilice productos de limpieza agresivos ni abrasivos o rascadores metálicos para limpiar la puerta de cristal del horno, ya que puede rayar la superficie y esto puede provocar la rotura del cristal.

Interior del horno:

Para limpiar el horno, quite las partes de comida derramada y las salpicaduras con un paño humedecido o con una esponja, después de usarlo y mientras está todavía caliente. Para limpiar las salpicaduras o manchas más grandes, utilice jabón suave y quítelas frotando varias veces con un paño humedecido hasta que desaparezcan por completo. No desmontar la tapa del conducto guía ondas. Tenga cuidado de que el jabón o el agua no se introduzca por los pequeños orificios de las paredes porque el horno podría sufrir daños. No utilice productos pulverizadores de limpieza en el interior del horno. Limpie la tapa de la guía de ondas, la cavidad del horno, el plato giratorio y el soporte del rodillo después de utilizarlos. Quíteles siempre la grasa dado que ésta podría sobrecalentarse la próxima vez que use el horno y empezar a echar humo o prenderse fuego.

Exterior del horno:

El exterior de su horno puede limpiarse fácilmente con jabón suave y agua. No se olvide de eliminar el jabón con un paño y de secar el exterior del horno con una toalla suave.

Panel de control:

Antes de limpiar el panel, abra la puerta para desactivar las teclas del panel de control. Tenga cuidado al limpiar el panel de control. Utilizando un paño humedecido solamente en agua, páselo suavemente por el panel hasta que éste quede limpio. No utilice mucha agua. No emplee ningún producto de limpieza químico o abrasivo.

Plato giratorio y soporte del rodillo:

Retire primero el plato giratorio y el soporte del rodillo del horno. Lave después tanto el plato giratorio como el soporte del rodillo en agua jabonosa y séquelos con un paño seco. Tanto el plato giratorio como el soporte del rodillo pueden lavarse también en un lavaplatos.



¡IMPORTANTE!

Limpie el horno en los intervalos regulares y quite cualquier depósito del alimento. Si el horno no se mantiene limpio podría deteriorarse su superficie, lo que podría perjudicar a la vida útil del aparato así como provocar una situación peligrosa.

Se debe tener cuidado de no desplazar el plato giratorio al retirar los contenedores del electrodoméstico.



¡IMPORTANTE!

No deben utilizarse aparatos de limpieza a vapor.

El horno microondas está previsto para uso empotrado.

El aparato y sus piezas accesibles se calientan durante el uso.



¡ADVERTENCIA!

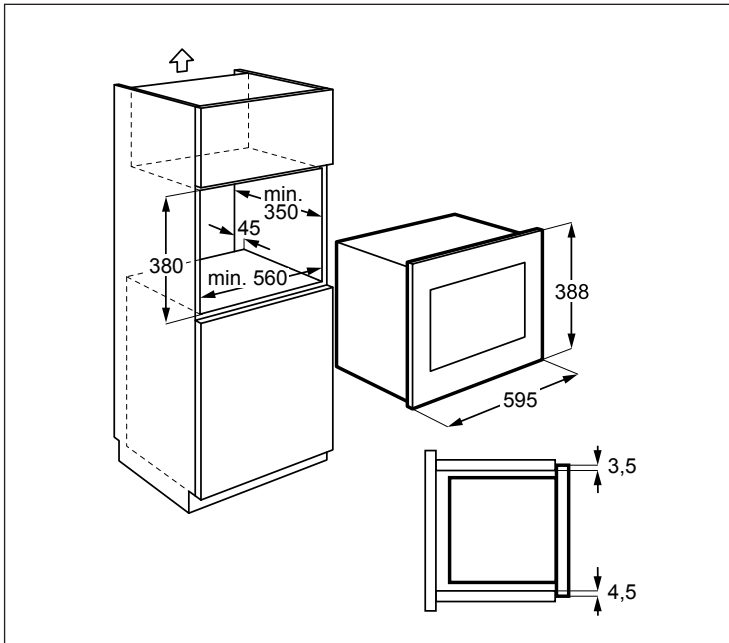
Los niños deben mantenerse alejados para evitar que sufran quemaduras.



¡IMPORTANTE!

No utilice productos comerciales para la limpieza de hornos, aparatos de limpieza a vapor, productos abrasivos, productos fuertes, ningún producto que contenga hidróxido de sodio ni estropajos para limpiar ninguna parte del horno.

2. INSTALACIÓN



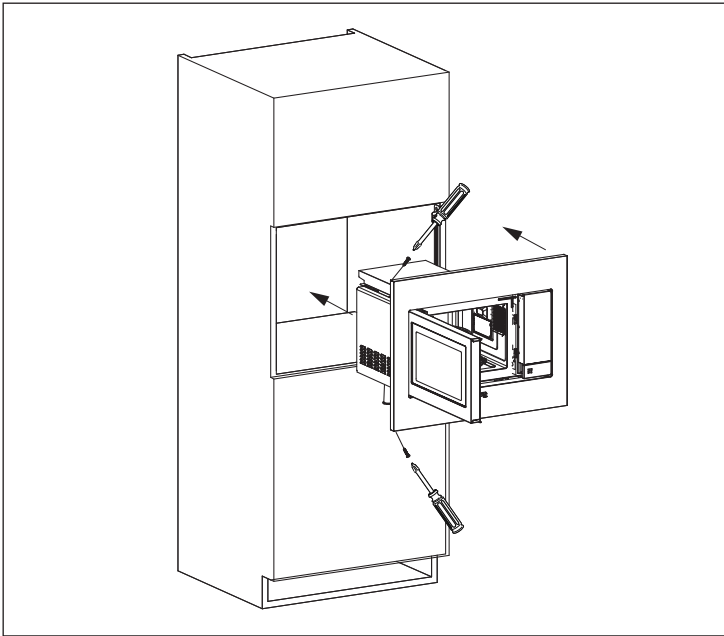
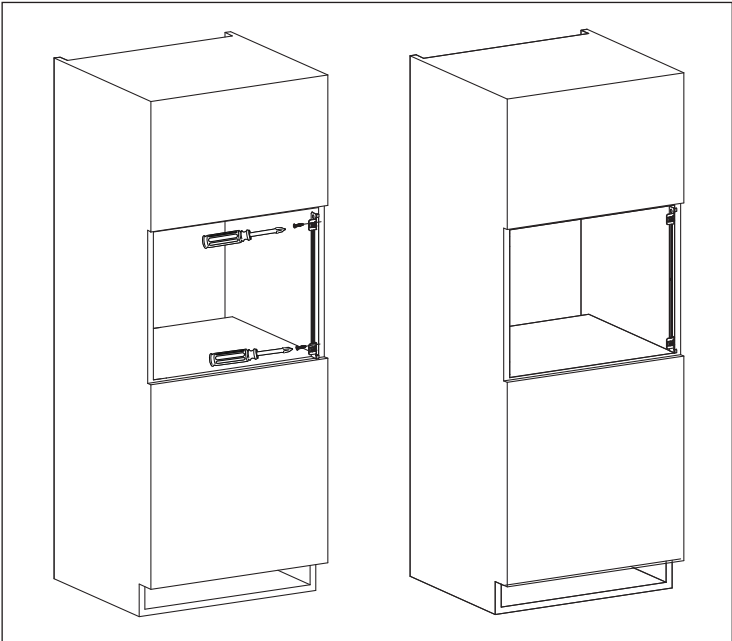
2.1 Instalación del aparato

1. Retire todo el embalaje y compruebe con cuidado si hay alguna señal de desperfectos.
2. Monte el soporte de fijación en la parte derecha del armario de cocina siguiendo la hoja de instalación y los dos tornillos suministrados.
3. Monte el electrodoméstico en el armario de cocina sin forzarlo hasta que encaje en los soportes. Asegúrese de que el electrodoméstico está estable y centrado.
4. Fije el horno en la parte izquierda con ayuda de los dos tornillos suministrados.
5. El marco frontal del horno debe sellar contra la abertura frontal del armario.

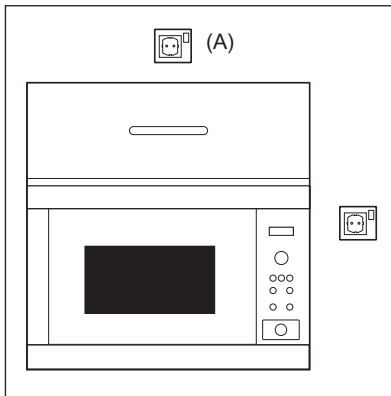


¡IMPORTANTE!

No instale este electrodoméstico en armarios de cocina sin la salida de aire posterior de 45 mm especificada. Una ventilación inadecuada puede afectar negativamente al rendimiento y la vida del electrodoméstico.



2.2 Conexión del aparato a la alimentación eléctrica



- La salida eléctrica debería ser fácilmente accesible de forma que la unidad pueda desenchufarse fácilmente en caso de emergencia. O bien, debe ser posible aislar el horno de la alimentación eléctrica incorporando un interruptor en el cableado fijo, con arreglo a las normas de cableado.
- El cable de suministro de energía sólo puede ser reemplazado por un electricista homologado.
- Si el cable de alimentación presenta algún daño, deberá ser sustituido por el fabricante, el servicio técnico o personas con una cualificación similar con el fin de evitar que se produzcan situaciones de peligro.
- La toma no debería estar situada detrás del armario.
- La mejor posición es encima del armario, véase (A).
- Conecte el aparato a una corriente alterna de 230 V/50 Hz. de fase única mediante una toma de tierra correctamente instalada. La toma debe estar provista de un fusible de 10 A.
- Antes de la instalación, ate un trozo de cuerda en el cable de suministro de energía para facilitar la conexión en el punto (A) cuando se esté instalando el aparato.
- Al insertar el aparato en un armario de lados altos, NO aplaste el cable de suministro de energía.
- No sumerja el cable de suministro de energía en agua ni en ningún otro líquido.
- No deje que el cable de alimentación cuelgue del borde de la mesa o de la superficie en la que esté situado el horno. No permita que el cable de corriente entre en contacto con superficies calientes o afiladas, como por ejemplo el aire caliente de la parte superior trasera del microondas.

2.3 Consejo adicional

No utilice el horno de microondas para freír con aceite o para calentar aceite con el que va a freír después. No se puede controlar la temperatura y podría prenderse fuego. Para hacer palomitas de maíz (popcorn) utilice sólo un horno de microondas especial para ello.

Las personas que llevan un MARCAPASOS deben comprobar con su médico o el fabricante del marcapasos las precauciones que deben tomar con respecto a los hornos de microondas.

No derrame nada ni introduzca ningún objeto en los orificios de los cierres de la puerta o en los orificios de ventilación. En caso de se produzca un vertido, apague y desenchufe el horno de inmediato y llame a un técnico autorizado de ELECTROLUX.

No intente nunca hacer ninguna modificación en el horno.

Utilice sólo el plato giratorio y el soporte del rodillo diseñados para este horno. No hacer funcionar el horno sin el plato giratorio.

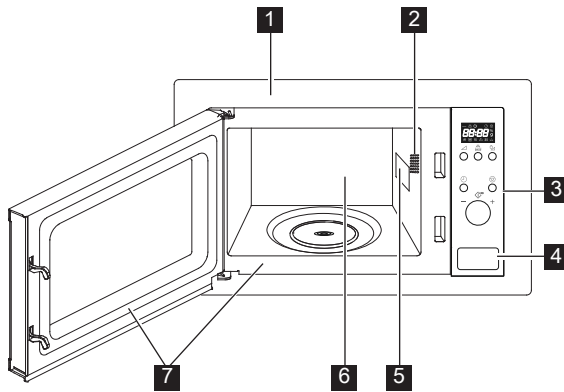
Para evitar que se rompa el plato giratorio:

- Antes de limpiar el plato giratorio con agua, déjelo enfriar.
- No ponga comidas ni utensilios calientes sobre un plato giratorio frío.
- No ponga comidas ni utensilios fríos sobre un plato giratorio caliente.

Ni el fabricante ni el proveedor aceptan responsabilidad alguna por cualquier avería del horno o heridas personales sufridas por dejar de observar el procedimiento correcto de conexión eléctrica. Puede que se forme vapor o gotas de agua algunas veces en las paredes del horno o cerca del perímetro de la puerta y de las superficies del marco. Esto es bastante normal y no indica que haya ninguna fuga de microondas ni ninguna avería.

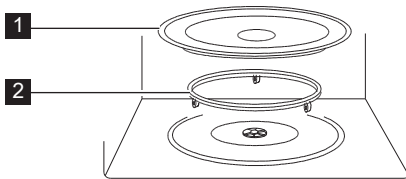
3. DESCRIPCIÓN DEL PRODUCTO

3.1 El horno microondas



- 1** Marco frontal
- 2** Luz del horno
- 3** Panel de mandos
- 4** Tecla apertura de puerta
- 5** Tapa de la guía de ondas
- 6** Cavity del horno
- 7** Cierre de la puerta y marco de cierre

3.2 Accesorios



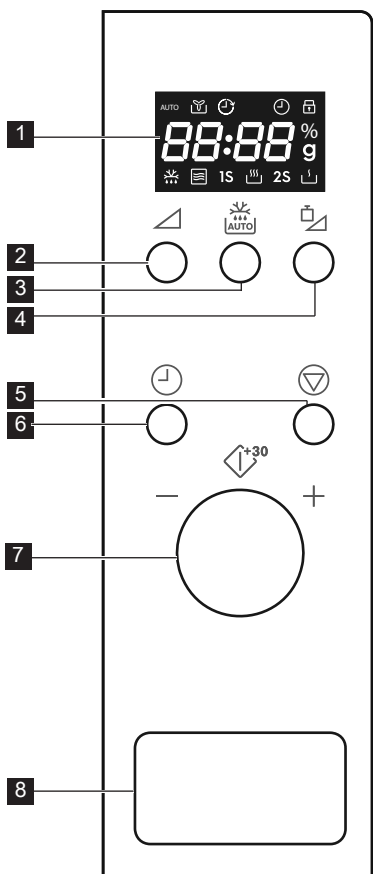
Compruebe que están presentes los siguientes accesorios:

- 1** El plato giratorio
- 2** El soporte de rodillos

- Coloque el soporte del rodillo en la parte inferior de la cavidad.
- Ponga seguidamente el plato giratorio en el soporte de rodillos.
- Para evitar daños al plato giratorio, al sacar del horno platos o recipientes conviene levantarlos apartándolos del borde del plato giratorio.

i Cuando pida accesorios, sírvase indicar dos elementos a su distribuidor o al técnico autorizado de ELECTROLUX: el nombre de la pieza y el nombre del modelo.

3.3 Panel de mandos



- | | | | |
|----------|-----------------------------------|----------|---------------------------------|
| 1 | Visualizador digital indicadores: | 2 | Tecla de nivel de potencia |
| | Automático | 3 | Tecla descongelación automática |
| | Ventilador | 4 | Botón de ajustar peso |
| | Reloj | 5 | Botón pausa/cancelar |
| | Bloqueo de seguridad infantil | 6 | Botón del reloj |
| | Segmentos del visualizador | 7 | Perilla |
| | Nivel de potencia del microondas | 8 | Tecla apertura de puerta |
| | Peso | | |
| | Descongelar | | |
| | Microondas | | |
| | Alto | | |
| | Bajo | | |

4. FUNCIONAMIENTO

4.1 Enchufar

Cuando el horno se enchufa por primera vez, dispone de la opción de ajustar el reloj. El horno tiene un reloj de 24 horas.

Ejemplo: Para ajustar el reloj.

1. En el modo en espera, pulse el botón del **RELOJ** una vez establecido el reloj.
2. Gire el botón para ajustar las horas.

3. Pulse el botón del **RELOJ** para confirmar.
4. Gire el botón para ajustar los minutos.
5. Pulse el botón del **RELOJ** para confirmar el ajuste.



Durante el proceso de cocción, puede pulsar el botón del **RELOJ** para comprobar la hora del día.

4.2 Cocción microondas

La función de cocción del microondas le permite personalizar la potencia y la hora de cocción. El tiempo máximo de cocción es de 95 minutos.

Ejemplo: Para cocinar durante 5 minutos a un nivel de potencia del 60 %.

1. Abra la puerta del horno y coloque los alimentos en su interior. Cierre la puerta.
2. Pulse el botón de **NIVEL DE POTENCIA** tres veces.
3. Gire la perilla para introducir el tiempo de cocción.
4. Pulse la perilla para empezar la cocción.

i Para comprobar el nivel de potencia durante la cocción, pulse el botón de **NIVEL DE POTENCIA**. El nivel de potencia predeterminado es 100 %. Al final del proceso de cocción, el sistema pitará y se mostrará End en la pantalla. Antes de iniciar otra sesión de cocción, pulse cualquier botón para borrar la pantalla y restablecer el sistema. Los niveles de potencial demasiado altos o los tiempos de cocción demasiado largos pueden sobrecalentar los alimentos y dar lugar a un incendio.

Tecla de nivel de potencia	Niveles de potencia
x 1	100 %
x 2	80 %
x 3	60 %
x 4	40 %
x 5	20 %
x 6	0 %

4.3 Nivel de potencia reducida

Modo de cocción	Tiempo normal	Potencia reducida
100 % de microondas	30'00	80 % de microondas

4.4 Inicio rápido

Puede empezar a cocer directamente al 100 % durante 30 segundos pulsando la perilla. El tiempo de cocción aumenta 30 segundos cada vez que pulsa la perilla.

i Para agregar más tiempo pulse la perilla.

4.5 Cocción automática

La función de cocción automática selecciona automáticamente el modo y el tiempo de cocción correctos. Puede elegir entre 8 menús.

Cocción automática	Alimentos	Peso
A - 01	Leche/café	1-3 tazas
A - 02	Arroz	150-600 g
A - 03	Espaguetis	100-300 g
A - 04	Patatas	1-3 unidades
A - 05	Recalentamiento automático	200-800 g
A - 06	Pescado	200-600 g
A - 07	Pizza	150-450 g
A - 08	Palomitas	99 g

1. Abra la puerta del horno y coloque los alimentos en su interior. Cierre la puerta.
2. Gire la perilla hacia la izquierda para seleccionar el alimento.
3. Pulse el botón de **AJUSTAR PESO** para seleccionar la cantidad o el peso.
4. Pulse la perilla para empezar la cocción.

i Cuando el horno emita un pitido, dé la vuelta al alimento, cierre la puerta del horno y pulse la perilla para reanudar la cocción.


4.6 Descongelación automática

La función de descongelado automático selecciona automáticamente el modo y el tiempo de cocción correctos. Puede descongelar entre 100 g y 1800 g de alimentos.

Ejemplo: Para descongelar 500 g de alimentos.

1. Abra la puerta del horno y coloque los alimentos en su interior. Cierre la puerta.

2. Pulse el botón de **DESCONGELAR AUTOMÁTICAMENTE**.
3. Pulse el botón de **AJUSTAR PESO** para seleccionar el peso.
4. Pulse la perilla para empezar a descongelar.

 Cuando el horno emita un pitido, dé la vuelta al alimento, cierre la puerta del horno y pulse la perilla para reanudar la cocción.

4.7 Bloqueo de seguridad infantil


El bloqueo de seguridad para niños impide el uso sin supervisar del aparato por parte de niños. El bloqueo de seguridad para niños se activa automáticamente tras un minuto sin operación por parte del usuario. Para cancelar, abra la puerta.

4.8 Pausa

Para hacer una pausa mientras el microondas está en marcha.

1. Pulse el botón de **PAUSA/CANCELAR** una vez para activar el modo de pausa durante la cocción.
2. Pulse la perilla para continuar la cocción.

Pulse el botón de **PAUSA/CANCELAR** dos veces para cancelar la cocción.


 El horno dejará de funcionar cuando la puerta se abra.

5. CONSEJOS Y RECOMENDACIONES

5.1 Utensilios de cocina aptos para microondas

Recipientes	Adecuados para microondas	Comentarios
Papel de aluminio y recipientes de papel de aluminio	✓ / ✗	Pueden utilizarse trozos pequeños de papel de aluminio para proteger los alimentos y evitar que se sobrecalienten. Mantenga el papel de aluminio a al menos 2 cm de las paredes del horno, ya que pueden formarse arcos eléctricos. No se recomiendan los recipientes de papel de aluminio a menos que lo especifique el fabricante, siga las instrucciones atentamente.
Loza y cerámica	✓ / ✗	La porcelana, la cerámica, la cerámica vitrificada y la porcelana, suelen ser adecuados excepto cuando tienen adornos metálicos.
Cristalería (p. ej. Pyrex®)	✓	Debería tenerse cuidado al utilizar cristalería delicada, ya que puede romperse o rajarse si se calienta repentinamente.
Metal	✗	No se recomienda utilizar recipientes metálicos con energía microondas, ya que formará arcos eléctricos que pueden causar un incendio.
Plásticos y poliestireno (p. ej.: recipientes de comida rápida)	✓	Debe tenerse cuidado, ya que algunos recipientes se deforman, funden o decoloran a temperaturas altas.
Bolsas para congelar y asar	✓	Deben perforarse para dejar escapar el vapor. Asegúrese de que las bolsas son adecuadas para su uso en microondas. No utilice cierres de plástico o metal, ya que pueden fundirse o prenderse debido a la formación de arcos eléctricos del metal.
Papel: platos, vasos y papel de cocina	✓	Utilícelos sólo para calentar o para absorber la humedad. Debe tenerse cuidado, ya que el sobrecalentamiento puede causar un incendio.
Recipientes de paja y madera	✓	Esté siempre atento al horno cuando utilice estos materiales, ya que el sobrecalentamiento puede causar un incendio.
Papel reciclado y de periódico	✗	Puede contener extractos de metal que formarán arcos eléctricos y pueden causar un incendio.

5.2 Cocción técnicas microondas

Cocción técnicas microondas	
Composición	Los alimentos con mayor contenido en grasa o azúcar (p. ej.: pudding de Navidad o pastel de frutas) necesitan menos tiempo para calentarse. Debería tenerse cuidado, ya que el sobrecalentamiento puede causar un incendio.
Tamaño	Para una cocción uniforme, haga trozos del mismo tamaño.
Temperatura	La temperatura inicial de los alimentos afecta al tiempo de cocción necesario. Haga un corte a los alimentos con relleno, (por ejemplo bollos rellenos de mermelada), para liberar el calor o el vapor.
Colocar	Ponga las partes más gruesas de los alimentos hacia el exterior del plato. (P. ej.: muslos de pollo.)
Tapar	Utilice film transparente para microondas dejando una abertura o bien una tapa adecuada.
Perforar	Los alimentos con cáscara, piel o membrana deben perforarse en varios sitios antes de cocinarlos o calentarlos, ya que se acumulará el vapor y puede hacer que exploten los alimentos. (P. ej.: patatas, pescado, pollo, salchichas.)  ¡IMPORTANTE! Los huevos no deberían calentarse con energía microondas, ya que pueden explotar, incluso después de haber terminado su cocción. (P. ej.: escalfados, fritos, cocidos).
Remover, dar la vuelta y volver colocar	Para conseguir una cocción uniforme, es imprescindible remover, dar la vuelta y volver a colocar los alimentos durante la cocción. Remueva y vuelva a colocar los alimentos siempre desde fuera hacia dentro.
Reposar	Es necesario dejar reposar los alimentos después de la cocción para que el calor pueda distribuirse por ellos por igual.
Proteger	Las zonas calientes pueden protegerse con pequeños trozos de papel de aluminio, que reflejan las microondas. (P. ej.: muslos y alitas de un pollo.)



Utilice agarradores o manoplas especiales para horno al sacar la comida para evitar quemarse. Abra siempre los recipientes, paquetes de palomitas de maíz, bolsas para cocinar en horno, etc., lejos de la cara y manos para evitar quemarse con el vapor. Conviene siempre apartarse de la puerta del horno al abrirlo para evitar quemarse al salir el vapor y el calor. Los alimentos rellenos cocidos al horno deben cortarse en rodajas después de calentarlos para que salga el vapor y evitar quemaduras.

6. ¿QUÉ HACER SI

Síntoma	Comprobaciones/consejos . . .
El aparato microondas no funciona correctamente?	<ul style="list-style-type: none"> • Funcionen los fusibles de la caja de fusibles. • No haya habido algún corte de energía. • Si se siguen fundiendo los fusibles, póngase en contacto con un electricista homologado.
El modo microondas no funciona?	<ul style="list-style-type: none"> • La puerta esté bien cerrada. • El cierre hermético de la puerta y sus superficies estén limpios. • Se ha pulsado la tecla START.
El plato giratorio no gira?	<ul style="list-style-type: none"> • El soporte del plato giratorio esté correctamente enganchado al mecanismo impulsor. • El recipiente colocado en el interior no sobresalga del plato giratorio. • Los alimentos no sobresalgan del borde del plato giratorio impidiendo que gire. • No haya ningún objeto en el hueco bajo el plato giratorio.
El microondas no se apaga?	<ul style="list-style-type: none"> • Aíse el aparato de la caja de fusibles. • Llame a un técnico autorizado de ELECTROLUX.
La iluminación interior no funciona?	<ul style="list-style-type: none"> • Llame a su técnico autorizado de ELECTROLUX. La luz interior solo puede ser cambiada por un técnico autorizado y cualificado de ELECTROLUX.
Los alimentos tardan más de lo normal en calentarse por completo y cocinarse?	<ul style="list-style-type: none"> • Aumente el tiempo de cocción (a cantidad doble, casi el doble de tiempo) o • Si los alimentos están más fríos que de costumbre, gírelos o deles la vuelta de vez en cuando o • Aumente el nivel de potencia.




Si el horno funciona en cualquiera modo durante tres minutos o más, el ventilador se mantendrá activado durante dos minutos una vez finalizada la operación de cocción.

7. ESPECIFICACIONES


Tensión de CA	230 V, 50 Hz, monofásico	
Fusible/disyuntor de fase	10 A como mínimo	
Requisitos potencia de CA:	Microondas	1.2 kW
Potencia de salida:	Microondas	700 W (IEC 60705)
Frecuencia microondas	2450 MHz ¹⁾ (Grupo 2/Clase B)	
Dimensiones exteriores:	EMS2203MM	595 mm (An.) x 388 mm (Al.) x 347 mm (P)
	KMSE203MM	595 mm (An.) x 388 mm (Al.) x 347 mm (P)
Dimensiones interiores	315 mm (An.) x 210 mm (Al.) x 329 mm (P) ²⁾	
Capacidad del horno	20 litros ²⁾	
Plato giratorio	Ø 245 mm, vidrio	
Peso	un. 12.8 kg	

- ¹⁾ Este Producto cumple el requisito de la norma europea EN55011. De acuerdo con dicha norma, este producto está clasificado como equipamiento del grupo 2, clase B. El grupo 2 significa que el equipamiento genera intencionadamente energía por radiofrecuencia en forma de radiación electromagnética para el tratamiento por calentamiento de alimentos. La clase B significa que el equipamiento resulta adecuado para su uso en establecimientos domésticos.
- ²⁾ La capacidad interna calculada mejorando el largo, la profundidad y la altura máxima. La capacidad efectiva de los recipientes para los alimentos es menor.

8. INFORMACIÓN MEDIOAMBIENTAL

Recicle los materiales con el símbolo . Coloque el material de embalaje en los contenedores adecuados para su reciclaje.

Ayude a proteger el medio ambiente y la salud pública, así como a reciclar residuos de aparatos eléctricos y electrónicos.

No deseche los aparatos marcados con el símbolo  junto con los residuos domésticos. Lleve el producto a su centro de reciclaje local o póngase en contacto con su oficina municipal.

ÍNDICE

1. INSTRUÇÕES DE SEGURANÇA	38
2. INSTALAÇÃO	43
3. DESCRIÇÃO GERAL DO APARELHO	47
4. FUNÇÃO	48
5. DICAS E SUGESTÕES	51
6. O QUE FAZER SE	53
7. ESPECIFICAÇÕES	54
8. INFORMAÇÕES AMBIENTAIS	54

ESTAMOS A PENSAR EM SI

Obrigado por ter adquirido um aparelho Electrolux. Escolheu um produto que traz com ele décadas de experiência profissional e inovação. Engenhoso e elegante, foi concebido a pensar em si. Assim, quando o utilizar, terá a tranquilidade de saber que terá sempre ótimos resultados. Bem-vindo(a) à Electrolux.

Visite o nosso website para:



Resolver problemas e obter conselhos de utilização, catálogos e informações sobre serviços:
www.electrolux.com



Registar o seu produto para beneficiar de um serviço melhor:
www.electrolux.com/productregistration



Adquirir acessórios, consumíveis e peças de substituição originais para o seu aparelho:
www.electrolux.com/shop

APOIO AO CLIENTE E ASSISTÊNCIA

Recomendamos a utilização de peças de substituição originais. Quando contactar a Assistência, certifique-se de que tem os seguintes dados disponíveis. A informação encontra-se na placa de características. Modelo, PNC, Número de Série.

 Aviso / Cuidado - Informações de segurança

 Informações gerais e sugestões

 Informações ambientais

Sujeito a alterações sem aviso prévio.

1. ⚠️ INSTRUÇÕES DE SEGURANÇA

Este equipamento pode ser utilizado por crianças com idades a partir dos 8 anos e por pessoas com capacidades físicas, sensoriais e mentais reduzidas ou com falta de experiência e conhecimentos caso sejam supervisionadas ou tenham recebido informações relativamente à utilização segura do equipamento e compreendam os perigos envolvidos. As crianças devem ser supervisionadas para garantir que não brincam com o aparelho. A limpeza e a manutenção por parte do utilizador não devem ser realizadas por crianças a menos que tenham mais de 8 anos e que estejam sob vigilância. Este aparelho não deve ser utilizado em alturas superiores a 2000 m.



IMPORTANTE! INSTRUÇÕES DE SEGURANÇA:
LEIA ATENTAMENTE E GUARDE PARA
FUTURAS CONSULTAS.



AVISO!

Se a porta ou as vedações da porta estiverem danificadas, o forno microondas não deve ser posto em funcionamento até ter sido reparado por uma pessoa competente.



AVISO!

É perigoso para qualquer pessoa que não uma pessoa competente realizar qualquer serviço ou operação de reparação que envolva a remoção de uma tampa que forneça proteção contra a exposição à energia do microondas.



AVISO!

Os líquidos e outros alimentos não devem ser aquecidos em recipientes fechados uma vez que há possibilidade de explodirem.

Este aparelho destina-se a utilização em ambiente doméstico e aplicações semelhantes, tais como: cozinhas do pessoal em lojas, escritórios e outros ambientes profissionais; explorações agrícolas; pelos clientes de hotéis, motéis e outros ambientes residenciais; estabelecimentos do tipo “bed and breakfast” (cama e pequeno-almoço).

Utilize apenas recipientes e utensílios próprios para microondas.

Não é permitida a colocação de recipientes metálicos para alimentos ou bebidas durante a cozedura no microondas.

Não se afaste do forno caso esteja a usar embalagens descartáveis em plástico, papel ou outros materiais inflamáveis.

O forno de micro-ondas destina-se ao aquecimento de alimentos e bebidas. A secagem de alimentos ou peças de vestuário e o aquecimento de almofadas de aquecimento, chinelos, esponjas, panos húmidos e objectos semelhantes podem provocar o risco de lesões, ignição ou incêndio.

Se os alimentos que estiver a aquecer começarem a fumar, NÃO ABRA A PORTA. Desligue o microondas e a respectiva ficha de alimentação e aguarde uns instantes até os alimentos deixarem de fumar. Se abrir a porta durante esta situação, poderá provocar um incêndio.

Tenha cuidado no manuseamento do recipiente ao aquecer bebidas, uma vez que isto pode fazer com que os líquidos entrem em ebulição.

O conteúdo dos biberões e dos biberões de comida de bebé deve ser mexido ou agitado, devendo verificar a sua temperatura antes de o consumir, para evitar queimaduras.

Não cozinhe ovos com casca no microondas, assim como também não deve aquecer ovos cozidos uma vez que

podem explodir mesmo depois de terminado o tempo de cozedura.

1.1 Cuidados e limpeza

Porta:

Para eliminar todos os vestígios de sujidade, limpe regularmente os dois lados da porta, as juntas e as superfícies isolantes com um pano húmido macio. Não usar produtos de limpeza abrasivos ou raspadores de limpeza metálicos afiados para limpar o vidro da porta do forno, visto que poderão riscar a superfície e resultar no estilhaçamento do vidro.

Interior do forno:

Limpe o forno depois de cada utilização, com o forno ainda quente, removendo todos os salpicos e resíduos de alimentos com um pano, ou esponja, húmido e macio. Para salpicos mais persistentes, utilize um detergente suave e limpe várias vezes com um pano húmido até remover todos os vestígios. Não retire a protecção de guia de onda. Tenha cuidado para evitar a entrada de água ou detergente nos orifícios de ventilação existentes nas paredes do forno, uma vez que isso poderia danificar o forno. Não utilize produtos de limpeza com pulverizador no interior do forno. Limpe a protecção da guia de onda, a cavidade do forno, o prato giratório e o suporte giratório depois de cada utilização. Deve mantê-los secos e livres de gordura. A gordura acumulada pode sobreaquecer e começar a fumegar ou incendiar-se.

Exterior do forno:

A parte exterior do seu forno pode ser limpa com água e detergente. Tenha o cuidado de retirar o detergente com um pano húmido e depois secar com um pano macio.

Painel de comandos:

Abra a porta antes de limpar para desactivar o painel de comandos. Deve ter-se uma especial atenção ao limpar o painel de comandos. Utilizando um pano ligeiramente húmido, limpe o painel de comandos com cuidado até estar completamente limpo. Evite usar grandes quantidades de água. Não utilize nenhum produto químico ou abrasivo.

Prato giratório e suporte giratório:

Retire o prato e o suporte giratório do forno. Lave o prato e o suporte giratório em água com detergente. Seque com um pano macio. Tanto o prato como o suporte giratório podem ser lavados na máquina de lavar loiça.



IMPORTANTE!

Limpe o forno regularmente e remova quaisquer restos de comida. Não manter o forno limpo poderá levar à deterioração da superfície o que afectará a vida útil do aparelho podendo resultar numa situação perigosa.

Deve-se ter cuidado para não mover o prato giratório ao remover os recipientes do eletrodoméstico.



IMPORTANTE!

Não deve utilizar qualquer produto de limpeza à base de vapor.

O microondas destina-se a ser utilizado como aparelho embutido.

O equipamento e os respectivos componentes acessíveis aquecem durante o funcionamento.



AVISO!

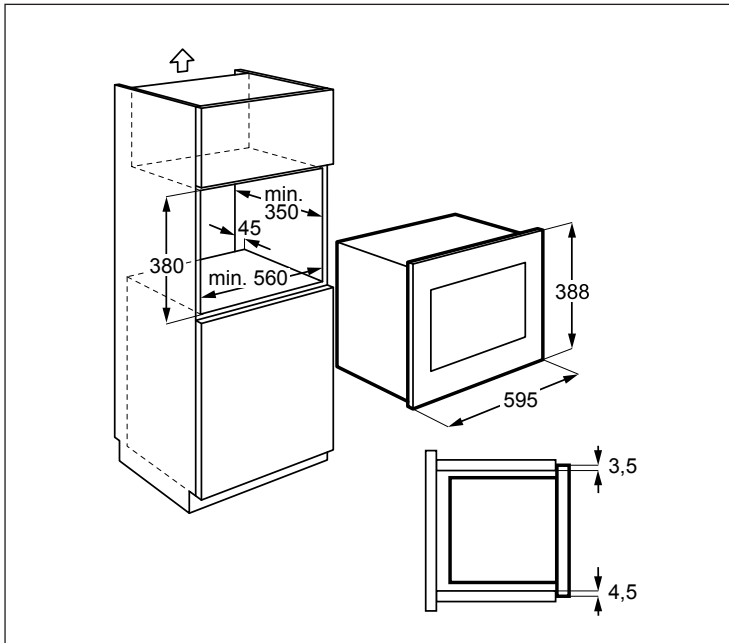
Deve manter as crianças afastadas do forno de modo a evitar eventuais queimaduras.



IMPORTANTE!

Não utilize produtos de limpeza para fornos, produtos de limpeza à base de vapor, produtos de limpeza abrasivos ou agressivos ou que contenham hidróxido de sódio ou esfregões para limpar o seu forno microondas.

2. INSTALAÇÃO



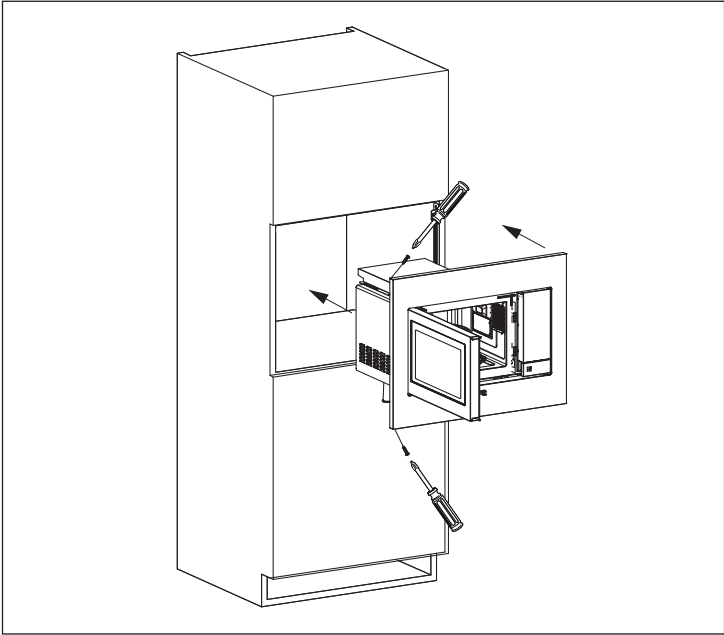
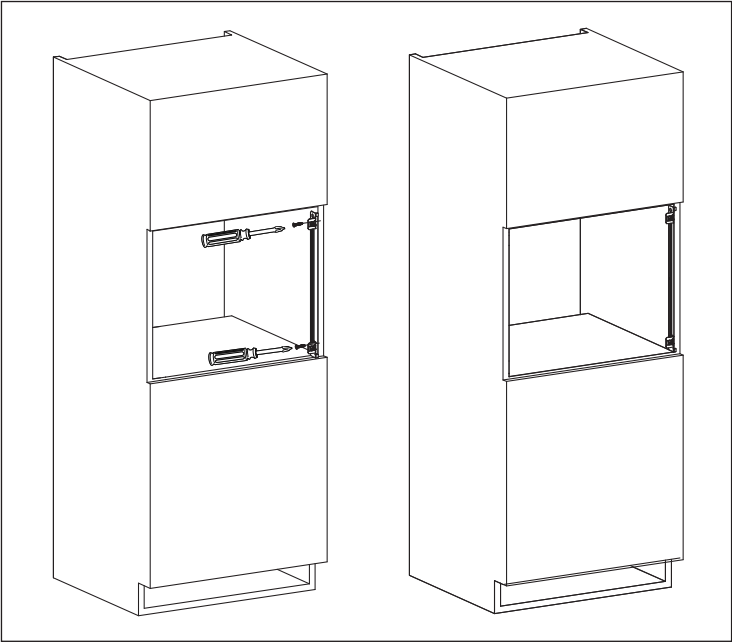
2.1 Instalação do aparelho

1. Retire todas as embalagens e verifique cuidadosamente a existência de sinais de danos.
2. Encaixe a braçadeira de fixação ao lado direito do armário de cozinha usando a folha de instalação e os dois parafusos fornecidos.
3. Encaixe o eletrodoméstico lentamente e sem força no armário de cozinha até ficar preso nas braçadeiras. Certifique-se de que o eletrodoméstico está estável e centrado.
4. Prenda o forno ao lado esquerdo usando os dois parafusos fornecidos.
5. O caixilho dianteiro do forno deve ficar encostado de forma estanque à abertura dianteira do armário.

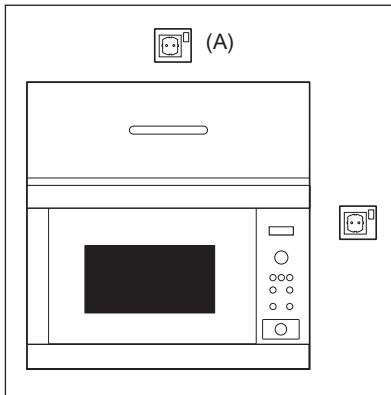


IMPORTANTE!

Não instale este eletrodoméstico em armários de cozinha sem a chaminé traseira de 45 mm especificada. Uma ventilação inadequada pode afetar adversamente o desempenho e a vida útil do eletrodoméstico.



2.2 Ligação do aparelho à alimentação



- A tomada deve estar situada num local acessível para que a unidade possa ser desligada facilmente numa situação de emergência. Em alternativa, poderá isolar-se o forno da corrente através da montagem de um interruptor na instalação fixa em conformidade com os regulamentos de instalações eléctricas.
- O cabo de alimentação só pode ser substituído por um electricista.
- Se o cabo de alimentação estiver danificado, deve ser substituído pelo fabricante, fornecedor de serviços ou pessoa com qualificações semelhantes, de forma a evitar perigo.
- A tomada não deve estar localizada por trás do armário.
- A posição ideal é por cima do armário, ver (A).
- Ligue o aparelho a uma tomada com ligação à terra, instalada correctamente, e com corrente alterna de 230 V/50 Hz monofásica. A tomada deve incluir um fusível de 10 A.
- Antes da instalação, prenda um fio ao cabo de alimentação para facilitar a ligação ao ponto (A), quando estiver a instalar o aparelho.
- Ao instalar o aparelho num armário alto lateral, NÃO comprima o cabo de alimentação.
- Não coloque o cabo de alimentação ou a ficha dentro de água ou de qualquer outro líquido.
- Mantenha o cabo de alimentação afastado de superfícies quentes ou com arestas, tais como a área de ventilação na parte posterior do forno.

2.3 Conselho adicional

Não utilize o forno microondas para aquecer óleo para fritar. É impossível controlar a temperatura do óleo, sendo que este pode incendiar-se. Para fazer pipocas, utilize apenas recipientes próprios.

Os utilizadores de PACEMAKERS devem consultar o médico ou o fabricante do aparelho para mais informações sobre os fornos microondas.

Não derrame ou introduza objectos nas aberturas de fecho da porta ou nos orifícios de ventilação. No caso de haver um derramamento, desligue e retire imediatamente a ficha da tomada e contacte a assistência técnica autorizada da ELECTROLUX.

Não tente modificar o forno em circunstância alguma.

Utilize apenas o prato giratório e o suporte concebidos para este forno. Não utilize o forno sem o prato giratório.

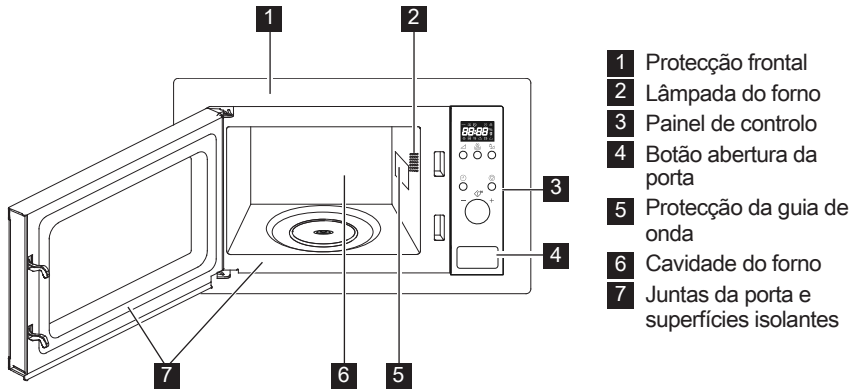
Para evitar que o prato giratório parta:

- Deixe arrefecer o prato giratório antes de o limpar com água.
- Não coloque alimentos quentes ou outros utensílios quentes por cima do prato giratório frio.
- Não coloque alimentos frios ou outros utensílios frios por cima do prato giratório quente.

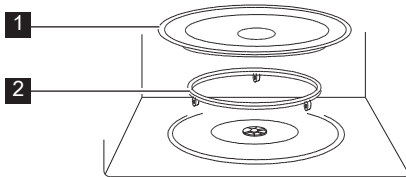
O fabricante e o revendedor negam quaisquer responsabilidades por danos materiais ou danos pessoais resultantes da não observância do procedimento de ligação eléctrica correcto. Por vezes, pode(s) formar-se vapor de água ou gotículas nas paredes do forno ou à volta das juntas da porta e superfícies isolantes. Esta é uma situação normal, não sendo uma indicação de fuga ou mau funcionamento.

3. DESCRIÇÃO GERAL DO APARELHO

3.1 Forno microondas



3.2 Acessórios

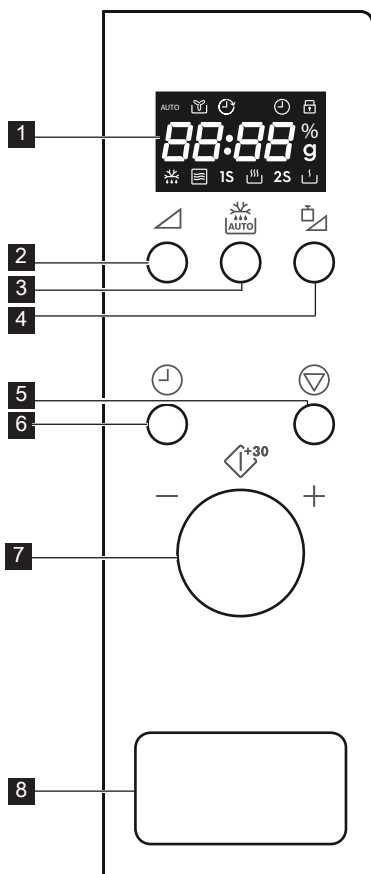


Certifique-se que os acessórios a seguir mencionados são fornecidos:






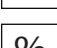
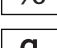
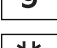



- 1** Prato giratório
- 2** Suporte do prato giratório
- Coloque o suporte do prato giratório na parte de baixo da cavidade.
- Coloque depois o prato giratório no suporte.
- Certifique-se que, ao retirá-los do forno, os pratos ou recipientes são levantados correctamente do centro do prato giratório a fim de evitar danos no mesmo.

i Quando encomendar acessórios, refira duas coisas: o nome da peça e o nome do modelo ao seu revendedor ou à assistência técnica da ELECTROLUX.

3.3 Painel de controlo



1 Visor digital indicadores:

-  Auto
-  Ventoinha
-  Relógio
-  Bloqueio de crianças
-  Segmentos do mostrador
-  Nível de potência do micro-ondas
-  Peso
-  Descongelar
-  Microondas
-  Alto
-  Baixo

- 2** Botão nível de potência
- 3** Botão descongelação
- 4** Botão de ajuste do peso
- 5** Botão de pausa/cancelar
- 6** Botão do relógio
- 7** Manípulo
- 8** Botão abertura da porta

4. FUNÇÃO

4.1 Ligar a tomada

Quando o forno for ligado pela primeira vez, terá a opção de acertar o relógio. O forno tem um relógio de 24h.

Exemplo: Para acertar a hora.

1. No modo de espera (standby), carregue uma vez no botão **RELÓGIO** para acertar a hora.
2. Gire o manípulo para acertar a hora.

3. Carregue no botão **RELÓGIO** para confirmar.
4. Gire o manípulo para acertar os minutos.
5. Carregue no botão **RELÓGIO** para confirmar a definição.

 Durante a cozedura, pode carregar no botão **RELÓGIO** para verificar a hora.

4.2 Cozinhar microondas

A cozedura com micro-ondas permite-lhe personalizar a potência e a duração da cozedura. O tempo máximo de cozedura é de 95 minutos.

Exemplo: Para cozinhar durante 5 minutos com um nível de potência de 60 %.

1. Abra a porta do forno e coloque os alimentos no interior. Feche a porta.
2. Carregue 3 vezes no botão do **NÍVEL DE POTÊNCIA**.
3. Gire o manípulo para introduzir o tempo de cozedura.
4. Carregue no manípulo para começar a cozinhar.

i Para verificar o nível de potência do micro-ondas durante a cozedura, carregue no botão do **NÍVEL DE POTÊNCIA**. O nível de potência padrão é 100 %.

No fim da cozedura, o sistema apitará e aparecerá a indicação "End". Antes de começar outra sessão de cozedura, carregue em qualquer botão para limpar o mostrador e repor o sistema. Níveis de potência muito elevados ou tempos de cozedura muito prolongados podem deixar os alimentos sobreaquecidos e provocar um incêndio.

Botão nível de potência	Níveis de potência
x 1	100 %
x 2	80 %
x 3	60 %
x 4	40 %
x 5	20 %
x 6	0 %

4.3 Nível de potência reduzida

Modo de Cozedura	Tempo Normal	Potência Reduzida
Microondas 100 %	30'00	Microondas 80 %

4.4 Início rápido

Pode começar a cozinhar diretamente a 100 % durante 30 segundos carregando no manípulo. De cada vez que carregar no manípulo, o tempo de cozedura aumentará 30 segundos.

i Para adicionar mais tempo, carregue no manípulo.

4.5 Cozedura automática

A cozedura automática calcula o modo e o tempo de cozedura corretos. Pode escolher um de 8 menus.

Cozedura automática	Alimentos	Peso
A - 01	Leite/Café	1-3 chávenas
A - 02	Arroz	150-600 g
A - 03	Esparguete	100-300 g
A - 04	Batatas	1-3 unid
A - 05	Reaquecer automático	200-800 g
A - 06	Peixe	200-600 g
A - 07	Pizza	150-450 g
A - 08	Pipocas	99 g

1. Abra a porta do forno e coloque os alimentos no interior. Feche a porta.
2. Gire o manípulo no sentido contrário aos ponteiros do relógio para selcionar os alimentos.
3. Carregue no botão do **AJUSTE DE PESO** para selecionar a quantidade ou o peso.
4. Carregue no manípulo para começar a cozinhar.

i Quando o forno apitar, vire os alimentos ao contrário, feche a porta do forno e carregue no manípulo para retomar a cozedura.


4.6 Descongelação auto

O descongelar automático calcula o modo e o tempo de cozedura corretos. Pode descongelar entre 100g e 1800g de alimentos.

Exemplo: Para descongelar 500g de alimentos.

1. Abra a porta do forno e coloque os alimentos no interior. Feche a porta.

2. Carregue uma vez no botão de **DESCONGELAR AUTOMÁTICO**.
3. Carregue no botão do **AJUSTE DE PESO** para selecionar o peso.
4. Carregue no manípulo para começar a descongelar.

 Quando o forno apitar, vire os alimentos ao contrário, feche a porta do forno e carregue no manípulo para retomar a cozedura.

4.7 Bloqueio de crianças


O bloqueio de segurança de crianças evita a utilização sem supervisão por parte de crianças. O bloqueio de segurança de crianças é automaticamente ativado ao fim de 1 minuto sem utilização por parte do utilizador. Para cancelar, abra a porta.

4.8 Pausa

Para fazer uma pausa enquanto o microondas estiver a funcionar.

1. Carregue uma vez no botão **PAUSA/CANCELAR** para entrar no modo de pausa durante a cozedura.
2. Carregue no manípulo para começar a cozinhar.

Carregue duas vezes no botão **PAUSA/CANCELAR** para cancelar a cozedura.


 O forno parará de funcionar quando a porta for aberta.


5. DICAS E SUGESTÕES

5.1 Utensílios de cozinha adequados para o microondas

Utensílios	Segurança Microondas	Comentários
Folha de alumínio/ Recipientes em folha de alumínio	✓ / ✗	É possível utilizar pequenos pedaços de folha de alumínio podem ser usadas para proteger a comida do sobreaquecimento. Mantenha a folha a pelo menos 2 cm de distância das paredes do forno, já que pode ocorrer a formação de arco eléctrico. Os recipientes em folha de alumínio não estão recomendados a menos que especificado pelo fabricante, siga atentamente as instruções.
Porcelana e cerâmica	✓ / ✗	Geralmente, a porcelana, cerâmica, louça de barro vidrada e são adequadas, exceptuando as que têm decoração em metal.
Vidro, (p. ex. Pyrex®)	✓	Deve ter muito cuidado ao utilizar vidro fino pois pode partir ou rachar se sujeito a bruscas mudanças de temperatura.
Metal	✗	Não se recomenda a utilização de utensílios metálicos em fornos microondas pois ocorre a formação de arco, que pode provocar incêndio.
Plástico/ poliestireno, (p. ex., recipientes de “fast-food”)	✓	É preciso ter cuidado pois alguns recipientes podem deformar, derreter ou descolorar a altas temperaturas.
Sacos	✓	Devem ser perfurados para deixar sair o vapor. Certifique-se de que os sacos são adequados para utilização em microondas. Não utilize cordões de apertar em plástico ou metal pois podem derreter ou incendiar devido a formação de arco.
Papel – pratos, copos e papel de cozinha	✓	Utilize apenas para aquecer ou para absorver humidade. Deve ter cuidado pois o sobreaquecimento pode provocar incêndio.
Recipientes de palha e madeira	✓	Quando utilizar estes materiais, mantenha-se atento ao forno pois o sobreaquecimento pode provocar incêndio.
Papel reciclado	✗	Podem conter extractos de metal que provocará a formação de arco e pode provocar incêndio.

5.2 Cozinhar - conselhos de utilização do microondas

Cozinhar - conselhos de utilização do microondas	
Composição	Os alimentos com elevados teores de gordura ou açúcar (p. ex., pudim de Natal, empadão de carne) necessitam de menos tempo de aquecimento. É preciso ter cuidado porque o sobreaquecimento pode provocar incêndio.
Tamanho	Para um cozinhado uniforme, todos os pedaços devem ter o mesmo tamanho.
Temperatura	A temperatura dos alimentos tem influência sobre o tempo necessário para os cozinhar. Faça cortes nos alimentos com recheio, (por exemplo donuts com compota), para libertar o calor ou o vapor.
Disposição	Coloque as partes mais grossas dos alimentos voltadas para o exterior do prato. (P. ex. coxas de galinha.)
Tapar	Utilize película aderente perfurada para microondas ou uma tampa adequada.
Furar	Os alimentos que têm casca, pele ou membrana devem ser furados em vários locais antes de levar a cozinhar ou aquecer, já que haverá lugar à acumulação do vapor podendo fazer o alimento explodir. (P. ex., batatas, peixe, frango, enchidos.)  IMPORTANTE! Os ovos não devem ser aquecidos utilizando microondas pois podem explodir, mesmo depois de cozinhados. (P. ex., escalfados, estrelados, cozidos.)
Mexer, rodar, mudar de posição	Para se obter um cozinhado uniforme, é necessário mexer, rodar e mudar os alimentos de posição durante o processo. Mexa sempre e mude de posição de fora para dentro.
Estabilização	Após o aquecimento, é necessário um período de estabilização, que permitirá o calor dispersar uniformemente por todos os alimentos.
Protecção	Algumas zonas dos alimentos descongelados podem ficar quentes (por exemplo, as pernas e as asas de frango).

-  Utilize pegas ou luvas de cozinha para retirar os alimentos do forno a fim de evitar queimaduras. Ao abrir as embalagens, recipientes próprios para pipocas, saquetas para cozinhar no forno, etc., mantenha-os afastados do rosto e das mãos a fim de evitar queimaduras.
- Ao abrir a porta do forno, mantenha-se afastado desta a fim de evitar queimaduras resultantes do vapor ou calor libertado. Corte os alimentos recheados depois de os cozinhar para libertar o vapor e evitar queimaduras.

6. O QUE FAZER SE

Problema	Verificar/recomendações. . .
O microondas não estiver a funcionar correctamente?	<ul style="list-style-type: none"> Os fusíveis incluídos na caixa de fusíveis estão a funcionar. Não houve nenhum corte de energia. Se os fusíveis continuarem a rebentar, contacte um electricista qualificado.
O modo de microondas não estiver a funcionar?	<ul style="list-style-type: none"> A porta está devidamente fechada. As juntas da porta e as superfícies estão limpas. Tem de se carregar no botão START.
O prato giratório não girar?	<ul style="list-style-type: none"> O suporte do prato giratório está bem posicionado. O recipiente utilizado no forno não é maior que o prato giratório. Os alimentos não são maiores que o prato giratório, impedindo-o de rodar. Não existe nada na cavidade por baixo do prato giratório.
O microondas não se desligar?	<ul style="list-style-type: none"> Isole o aparelho da caixa de fusíveis. Contacte a assistência técnica autorizada ELECTROLUX.
A luz interior do microondas não estiver a funcionar?	<ul style="list-style-type: none"> Contacte a sua assistência técnica autorizada ELECTROLUX. A luz interior só pode ser mudada por um trabalhador capacitado da assistência técnica autorizada ELECTROLUX.
Os alimentos estiverem a demorar mais tempo a aquecer e cozinhar do que anteriormente?	<ul style="list-style-type: none"> Defina um tempo de cozedura maior (dobro da quantidade = praticamente o dobro do tempo) ou, Se os alimentos estiverem mais frios do que habitual, volte ou mexa-os de tempos a tempos ou, Defina uma potência mais elevada.




Se o forno funcionar em qualquer modo durante 3 ou mais minutos, a ventoinha ficará ligada durante 2 minutos após o fim da cozedura.

7. ESPECIFICAÇÕES


Tensão CA	230 V, 50 Hz, monofásica	
Disjuntor/fusível da linha de distribuição	Mínimo 10 A	
Potência CA necessária:	Microondas	1.2 kW
Potência de saída:	Microondas	700 W (IEC 60705)
Frequência de Microondas	2450 MHz ¹⁾ (Grupo 2/Classe B)	
Dimensões Externas:	EMS2203MM	595 mm (L) x 388 mm (A) x 347 mm (P)
	KMSE203MM	595 mm (L) x 388 mm (A) x 347 mm (P)
Dimensões da Cavidade	315 mm (L) x 210 mm (A) x 329 mm (P) ²⁾	
Capacidade do Forno	20 litros ²⁾	
Prato giratório	ø 245 mm, vidro	
Peso	cerca de 12.8 kg	

- ¹⁾ Este produto cumpre os requisitos da norma europeia EN55011. De acordo com esta norma, este produto está classificado como equipamento do grupo 2, classe B.
O grupo 2 significa que o equipamento gera energia de radiofrequência sob a forma de radiação electromagnética para tratamento térmico de alimentos.
A classe B significa que o equipamento é adequado à utilização doméstica.
- ²⁾ A capacidade interna é calculada medindo a largura, profundidade e altura máximas. A capacidade real para os alimentos é inferior.

8. INFORMAÇÕES AMBIENTAIS

Recicle os materiais que apresentem o símbolo . Coloque a embalagem nos contentores indicados para reciclagem.

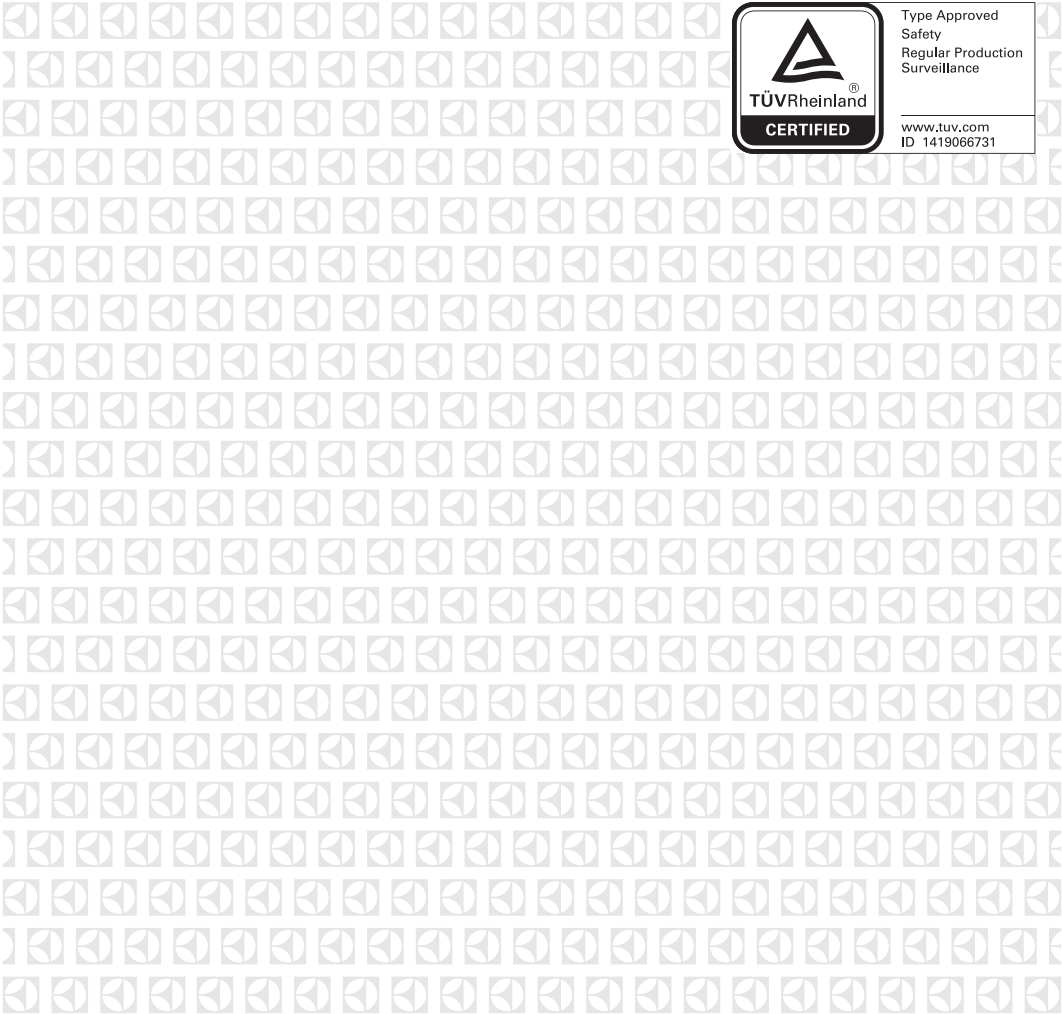
Ajude a proteger o ambiente e a saúde pública através da reciclagem de aparelhos eléctricos e electrónicos.

Não elimine os aparelhos que tenham o símbolo  juntamente com os resíduos domésticos. Coloque o produto num ponto de recolha para reciclagem local ou contacte as suas autoridades municipais.

electrolux.com/shop



TINS-B394URRO



	Type Approved Safety Regular Production Surveillance
	www.tuv.com ID 1419066731