

**LOYD Aplique**



**Descripción**

Aplique para iluminar hacia abajo.

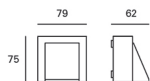
Material estructura: Aluminio. Acabado estructura: Gris. Acabados palas: NA. Material difusor: Cristal.  
Acabado difusor: Transparente. Garantía: 5 Años.

**Acabado**

Gris  
Transparente  
NA

**Material**

Aluminio  
Cristal



**CARACTERÍSTICAS TÉCNICAS**

**Fuente de luz**

Fuente de luz: LED CREE  
Potencia (W): 2.1W  
Consumo total (W): 3.4 W  
Temperatura de color: Blanco cálido - 3000K  
CRI: 80  
Riesgo fotobiológico: RG2  
Lumens reales: 96  
Nº Leds: 1  
Lm/W reales: 28  
Vida útil: 36.000h L70B30  
Bin / Grup: 7C1 o 7B4  
UGR: 10

**EQUIPO**

Marca: SINOBASE  
Equipo incluido: Si, electrónico  
Voltaje / Frecuencia: 100-240 VAC  
Factor de potencia: 0.34  
Flickering: 8.6%

**Luminaria**

Garantía: 5 Años

**Logística**

Eficiencia energética: LED A++  
EAN: 8435381493882  
Peso neto (Kg): 0.305  
Peso en Kg (embalado): 0.364  
Box: 85 x 70 x 85  
Masterbox: 20

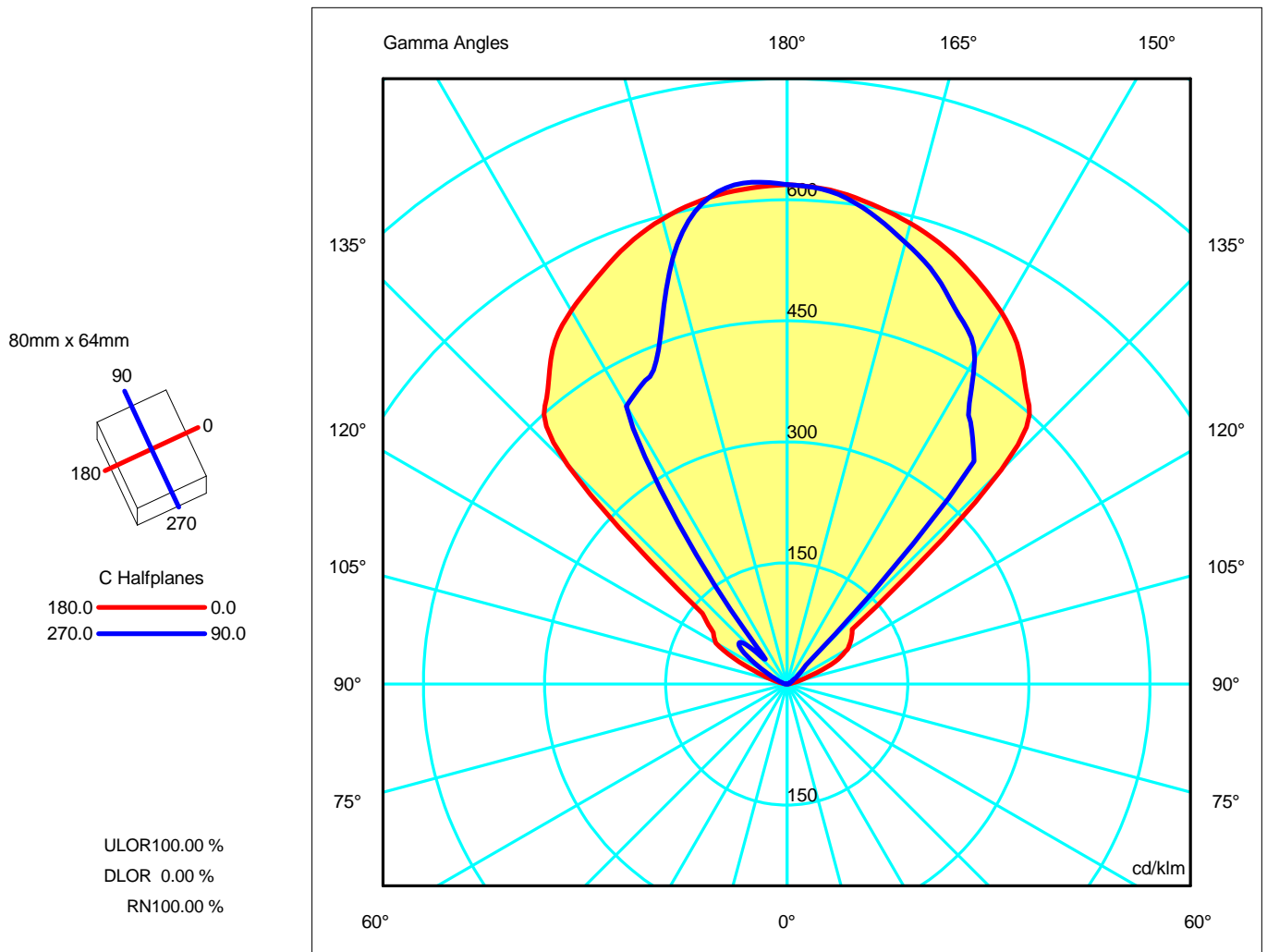
El acabado de la fotografía puede no coincidir con el de la referencia. Para identificar el real ver descripción del acabado.

**Luminaire**

Code PX-0395-GRI  
 Name Aplique led  
**Measur.**  
 Code PX-0395-GRI  
 Name Aplique led

Luminaire Flux	96.36 lm	Luminaire Power	0.00 W	Efficacy	---	Efficiency	100.00%
Lamps Flux	96.36 lm	Maximum value	623.06 cd/klm	Position	C=270.00 G=175.00	CG	Asymmetrical
Rectangular Luminaire		Length	80 mm	Width	64 mm	Height	76 mm
Rectangular Luminous Area		Length	28 mm	Width	38 mm	Height	0 mm
Horizontal Luminous Area		0.001064 m2		Emitting area on Plane 180°		0.000000 m2	
Emitting area on Plane 0°		0.000000 m2		Emitting area on Plane 270°		0.000000 m2	
Emitting area on Plane 90°		0.000000 m2		Glare area at 76°		0.000257 m2	
Coordinate system		CG		Symmetry Type		Asymmetrical	
Date		07-09-2017		Maximum Gamma Angle		180	
Measurement Distance		0.00		Measurement Flux		96.36 lm	
Operator		LEDS		Source Voltage [V]			
Temperature		25.00 °C		Source current [A]			
Humidity		60.00 %		Photocell			
Notes							

Line	Code	Luminaire Lamps Name	Flux [lm]	Pow. [W]	Q.ty
	PX-0395-GRI	PX-0395-GRI	96.36	0.00	1
C.I.E.	0 0 0 0 100	D DIN 5040	--		
F UTE	1.00 T	B NBN	BZ 10		



**Luminaire**  
 Code PX-0395-GRI  
 Name Applique led  
**Measuram.**  
 Code PX-0395-GRI  
 Name Applique led

Luminaire Flux	96.36 lm	Luminaire Power	0.00 W	Efficacy	---	Efficiency	100.00%
Lamps Flux	96.36 lm	Maximum value	623.06 cd/klm	Position	C=270.00 G=175.00	CG Asymmetrical	

**Luminous Intensity Table cd/klm Table 1/1**

	C 0.00	C 15.00	C 30.00	C 45.00	C 60.00	C 75.00	C 90.00	C 105.00	C 120.00	C 135.00	C 150.00	C 165.00
G 0.0	0.00	0.00	0.00	0.00	0.00	0.00	0.00	0.00	0.00	0.00	0.00	0.00
G 5.0	0.00	0.00	0.00	0.00	0.00	0.00	0.00	0.00	0.00	0.00	0.00	0.00
G 10.0	0.00	0.00	0.00	0.00	0.00	0.00	0.00	0.00	0.00	0.00	0.00	0.00
G 15.0	0.00	0.00	0.00	0.00	0.00	0.00	0.00	0.00	0.00	0.00	0.00	0.00
G 20.0	0.00	0.00	0.00	0.00	0.00	0.00	0.00	0.00	0.00	0.00	0.00	0.00
G 25.0	0.00	0.00	0.00	0.00	0.00	0.00	0.00	0.00	0.00	0.00	0.00	0.00
G 30.0	0.00	0.00	0.00	0.00	0.00	0.00	0.00	0.00	0.00	0.00	0.00	0.00
G 35.0	0.00	0.00	0.00	0.00	0.00	0.00	0.00	0.00	0.00	0.00	0.00	0.00
G 40.0	0.00	0.00	0.00	0.00	0.00	0.00	0.00	0.00	0.00	0.00	0.00	0.00
G 45.0	0.00	0.00	0.00	0.00	0.00	0.00	0.00	0.00	0.00	0.00	0.00	0.00
G 50.0	0.00	0.00	0.00	0.00	0.00	0.00	0.00	0.00	0.00	0.00	0.00	0.00
G 55.0	0.00	0.00	0.00	0.00	0.00	0.00	0.00	0.00	0.00	0.00	0.00	0.00
G 60.0	0.00	0.00	0.00	0.00	0.00	0.00	0.00	0.00	0.00	0.00	0.00	0.00
G 65.0	0.00	0.00	0.00	0.00	0.00	0.00	0.00	0.00	0.00	0.00	0.00	0.00
G 70.0	0.00	0.00	0.00	0.00	0.00	0.00	0.00	0.00	0.00	0.00	0.00	0.00
G 75.0	0.00	0.00	0.00	0.00	0.00	0.00	0.00	0.00	0.00	0.00	0.00	0.00
G 80.0	0.00	0.00	0.00	0.00	0.00	0.00	0.00	0.00	0.00	0.00	0.00	0.00
G 85.0	0.00	0.00	0.00	0.00	0.00	0.00	0.00	0.00	0.00	0.00	0.00	0.00
G 90.0	0.02	0.02	0.02	0.02	0.01	0.02	0.02	0.02	0.01	0.01	0.01	0.02
G 95.0	0.81	0.54	0.38	0.26	0.21	0.19	0.21	0.22	0.23	0.26	0.40	0.45
G100.0	5.03	3.92	2.13	1.49	1.24	1.27	1.27	1.36	1.39	1.54	2.08	3.50
G105.0	15.10	13.41	5.28	3.07	2.48	2.35	2.27	2.41	2.62	3.20	4.94	12.21
G110.0	33.24	32.34	12.44	5.42	3.81	3.43	3.31	3.49	4.03	5.71	10.85	31.31
G115.0	66.08	63.46	32.72	8.74	5.89	5.28	4.98	5.35	6.16	9.37	26.02	66.47
G120.0	86.80	89.99	59.52	14.23	8.87	7.93	8.02	8.11	9.44	15.46	57.51	94.88
G125.0	97.49	88.46	63.13	35.74	15.06	12.74	13.63	12.71	15.08	29.52	72.18	97.16
G130.0	105.61	143.86	311.12	295.95	25.34	20.21	20.66	20.38	25.22	273.00	314.36	213.04
G135.0	375.35	382.19	386.51	352.38	325.91	99.91	32.77	74.05	294.14	287.99	390.49	380.65
G140.0	463.31	457.84	438.79	417.17	372.75	363.95	360.45	363.64	369.94	418.13	443.67	457.34
G145.0	502.32	497.73	482.07	461.32	440.25	411.03	396.74	410.39	439.02	462.17	479.52	499.82
G150.0	531.65	526.60	515.07	500.15	485.89	475.70	465.21	473.36	481.98	501.18	516.69	531.25
G155.0	554.13	551.67	542.90	532.39	519.82	510.82	504.33	509.33	520.58	535.63	544.83	554.62
G160.0	574.90	572.53	567.83	559.72	550.82	544.54	539.05	542.88	549.42	559.12	570.58	578.82
G165.0	591.03	589.86	585.60	580.19	575.61	571.36	566.60	567.45	572.54	581.21	590.00	595.59
G170.0	603.92	603.69	600.85	599.13	597.34	594.25	593.05	593.05	596.29	599.97	603.95	606.96
G175.0	614.57	612.01	612.01	611.63	612.22	612.10	612.86	611.04	611.78	612.98	615.05	615.40
G180.0	618.85	618.85	618.85	618.85	618.85	618.85	618.85	618.85	618.85	618.85	618.85	618.85

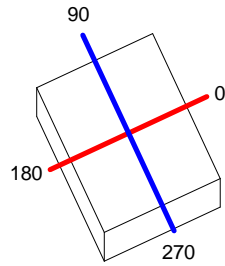
  

	C 180.00	C 195.00	C 210.00	C 225.00	C 240.00	C 255.00	C 270.00	C 285.00	C 300.00	C 315.00	C 330.00	C 345.00
G 0.0	0.00	0.00	0.00	0.00	0.00	0.00	0.00	0.00	0.00	0.00	0.00	0.00
G 5.0	0.00	0.00	0.00	0.00	0.00	0.00	0.00	0.00	0.00	0.00	0.00	0.00
G 10.0	0.00	0.00	0.00	0.00	0.00	0.00	0.00	0.00	0.00	0.00	0.00	0.00
G 15.0	0.00	0.00	0.00	0.00	0.00	0.00	0.00	0.00	0.00	0.00	0.00	0.00
G 20.0	0.00	0.00	0.00	0.00	0.00	0.00	0.00	0.00	0.00	0.00	0.00	0.00
G 25.0	0.00	0.00	0.00	0.00	0.00	0.00	0.00	0.00	0.00	0.00	0.00	0.00
G 30.0	0.00	0.00	0.00	0.00	0.00	0.00	0.00	0.00	0.00	0.00	0.00	0.00
G 35.0	0.00	0.00	0.00	0.00	0.00	0.00	0.00	0.00	0.00	0.00	0.00	0.00
G 40.0	0.00	0.00	0.00	0.00	0.00	0.00	0.00	0.00	0.00	0.00	0.00	0.00
G 45.0	0.00	0.00	0.00	0.00	0.00	0.00	0.00	0.00	0.00	0.00	0.00	0.00
G 50.0	0.00	0.00	0.00	0.00	0.00	0.00	0.00	0.00	0.00	0.00	0.00	0.00
G 55.0	0.00	0.00	0.00	0.00	0.00	0.00	0.00	0.00	0.00	0.00	0.00	0.00
G 60.0	0.00	0.00	0.00	0.00	0.00	0.00	0.00	0.00	0.00	0.00	0.00	0.00
G 65.0	0.00	0.00	0.00	0.00	0.00	0.00	0.00	0.00	0.00	0.00	0.00	0.00
G 70.0	0.00	0.00	0.00	0.00	0.00	0.00	0.00	0.00	0.00	0.00	0.00	0.00
G 75.0	0.00	0.00	0.00	0.00	0.00	0.00	0.00	0.00	0.00	0.00	0.00	0.00
G 80.0	0.00	0.00	0.00	0.00	0.00	0.00	0.00	0.00	0.00	0.00	0.00	0.00
G 85.0	0.00	0.00	0.00	0.00	0.00	0.00	0.00	0.00	0.00	0.00	0.00	0.00
G 90.0	0.02	0.02	0.02	0.03	0.07	0.04	0.05	0.05	0.08	0.05	0.04	0.03
G 95.0	0.80	0.73	0.69	0.68	0.67	0.67	0.58	0.53	0.43	0.53	0.57	0.84
G100.0	4.75	3.99	3.30	3.02	2.77	2.77	2.72	2.81	2.60	2.89	3.21	3.88
G105.0	15.05	11.40	7.39	6.37	5.67	5.91	5.73	5.83	5.53	6.03	7.20	10.12
G110.0	32.43	26.36	13.82	11.23	10.24	10.32	10.02	10.33	10.44	10.05	12.67	25.46
G115.0	65.30	57.91	22.00	18.68	20.00	17.68	17.28	18.10	20.23	16.47	19.61	55.63
G120.0	101.94	95.86	34.91	31.05	39.51	34.43	31.79	36.00	42.46	32.56	26.87	80.52
G125.0	111.45	102.79	52.75	38.32	61.44	62.50	60.03	65.22	64.24	38.62	38.46	79.85
G130.0	136.71	224.06	299.32	34.48	53.83	73.95	77.82	74.78	56.45	32.60	285.62	227.00
G135.0	383.88	400.68	333.49	196.28	42.85	58.05	63.89	58.29	45.26	116.42	324.42	385.40
G140.0	463.10	465.70	373.68	348.93	139.28	45.13	46.80	44.24	92.85	343.73	360.71	449.66
G145.0	505.91	507.78	418.77	379.03	374.12	306.15	195.20	284.94	373.74	375.28	403.61	498.55
G150.0	534.19	534.55	484.43	409.68	396.51	396.51	397.70	397.59	398.84	406.91	468.10	533.03
G155.0	556.17	561.61	542.52	463.40	429.96	419.68	415.21	420.61	430.11	456.20	534.46	563.45
G160.0	578.76	586.71	578.00	545.01	487.50	464.45	458.51	460.94	482.18	536.71	575.78	584.66
G165.0	596.56	602.52	602.25	591.47	571.28	554.61	546.50	553.89	569.23	591.00	601.36	599.04
G170.0	608.83	611.65	615.69	615.40	611.72	608.59	604.77	605.99	609.38	614.15	615.14	609.57
G175.0	615.61	616.05	619.17	621.16	622.37	622.62	623.06	622.42	622.59	620.79	618.68	616.34
G180.0	618.85	618.85	618.85	618.85	618.85	618.85	618.85	618.85	618.85	618.85	618.85	618.85

**Luminaire**  
 Code PX-0395-GRI  
 Name Aplique led  
**Measur.**  
 Code PX-0395-GRI  
 Name Aplique led

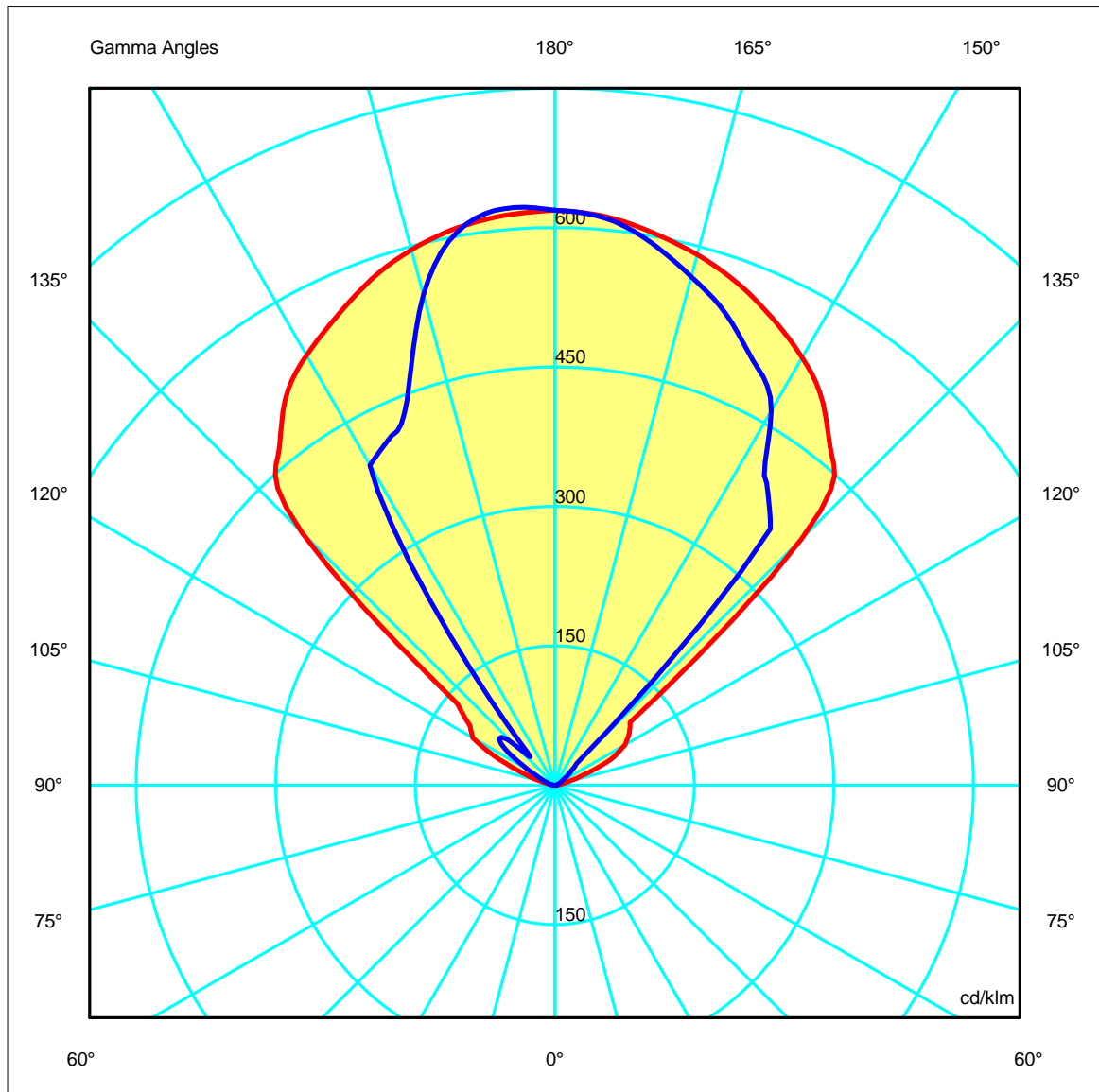
Luminaire Flux	96.36 lm	Luminaire Power	0.00 W	Efficacy	---	Efficiency	100.00%
Lamps Flux	96.36 lm	Maximum value	623.06 cd/klm	Position	C=270.00 G=175.00	CG	Asymmetrical

80mm x 64mm



C Halfplanes

180.0 ——— 0.0  
 270.0 ——— 90.0



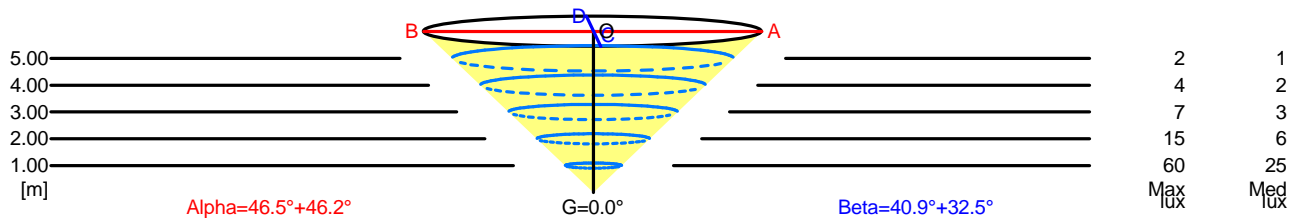
**Luminaire**  
 Code PX-0395-GRI  
 Name Aplique led  
**Measurement**  
 Code PX-0395-GRI  
 Name Aplique led

Luminaire Flux	96.36 lm	Luminaire Power	0.00 W	Efficacy	---	Efficiency	100.00%
Lamps Flux	96.36 lm	Maximum value	623.06 cd/klm	Position	C=270.00 G=175.00	CG	Asymmetrical

Width at 50.00 % of Max Intensity

H[m]	1.00	2.00	3.00	4.00	5.00	H[m]	1.00	2.00	3.00	4.00	5.00
OA	1.04	2.09	3.13	4.18	5.22	OC	0.87	1.73	2.60	3.47	4.33
OB	1.05	2.11	3.16	4.22	5.27	OD	0.64	1.27	1.91	2.55	3.19

	Luminous Intensities [ cd/klm]									
	0	5	15	25	35	45	55	65	75	85
OA	59.63	59.22	56.95	53.40	48.40	36.17	9.39	6.37	1.45	0.08
OB	59.63	59.32	57.48	53.59	48.75	36.99	10.74	6.29	1.45	0.08
OC	59.63	59.06	54.60	48.60	38.23	3.16	1.31	0.48	0.22	0.02
OD	59.63	60.04	52.66	40.01	18.81	6.16	5.78	1.67	0.55	0.06



5.00	10.50	2	1	
4.00	8.40	4	2	
3.00	6.30	7	3	
2.00	4.20	15	6	
1.00	2.10	60	25	
H[m]	D[m]	Max lux	Med lux	Alpha=46.5°+46.2°      G=0.0

5.00	7.52	2	1	
4.00	6.02	4	2	
3.00	4.51	7	3	
2.00	3.01	15	6	
1.00	1.50	60	25	
H[m]	D[m]	Max lux	Med lux	Beta=32.5°+40.9°      G=0.0

**Luminaire**  
 Code PX-0395-GRI  
 Name Aplique led  
**Measurement**  
 Code PX-0395-GRI  
 Name Aplique led

Luminaire Flux	96.36 lm	Luminaire Power	0.00 W	Efficacy	---	Efficiency	100.00%
Lamps Flux	96.36 lm	Maximum value	623.06 cd/klm	Position	C=270.00 G=175.00	CG	Asymmetrical

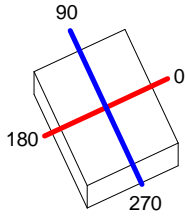
**UGR**  
 S = 0.250

Reflectancies										
Ceiling/Cavity	0.7	0.7	0.5	0.5	0.3	0.7	0.7	0.5	0.5	0.3
Walls	0.5	0.3	0.5	0.3	0.3	0.5	0.3	0.5	0.3	0.3
WorkingPlane	0.2	0.2	0.2	0.2	0.2	0.2	0.2	0.2	0.2	0.2
RoomDimensions	ViewedCrosswise					ViewedEndwise				
x=2H y=2H	< 0	< 0	< 0	< 0	< 0	< 0	< 0	< 0	< 0	< 0
x=2H y=3H	< 0	< 0	< 0	< 0	< 0	< 0	< 0	< 0	< 0	< 0
x=2H y=4H	< 0	< 0	< 0	< 0	< 0	< 0	< 0	< 0	< 0	< 0
x=2H y=6H	< 0	< 0	< 0	< 0	< 0	< 0	< 0	< 0	< 0	< 0
x=2H y=8H	< 0	< 0	< 0	< 0	< 0	< 0	< 0	< 0	< 0	< 0
x=2H y=12H	< 0	< 0	< 0	< 0	< 0	< 0	< 0	< 0	< 0	< 0
x=4H y=2H	< 0	< 0	< 0	< 0	< 0	< 0	< 0	< 0	< 0	< 0
x=4H y=3H	< 0	< 0	< 0	< 0	< 0	< 0	< 0	< 0	< 0	< 0
x=4H y=4H	< 0	< 0	< 0	< 0	< 0	< 0	< 0	< 0	< 0	< 0
x=4H y=6H	< 0	< 0	< 0	< 0	< 0	< 0	< 0	< 0	< 0	< 0
x=4H y=8H	< 0	< 0	< 0	< 0	< 0	< 0	< 0	< 0	< 0	< 0
x=4H y=12H	< 0	< 0	< 0	< 0	< 0	< 0	< 0	< 0	< 0	< 0
x=8H y=4H	< 0	< 0	< 0	< 0	< 0	< 0	< 0	< 0	< 0	< 0
x=8H y=6H	< 0	< 0	< 0	< 0	< 0	< 0	< 0	< 0	< 0	< 0
x=8H y=8H	< 0	< 0	< 0	< 0	< 0	< 0	< 0	< 0	< 0	< 0
x=8H y=12H	< 0	< 0	< 0	< 0	< 0	< 0	< 0	< 0	< 0	< 0
x=12H y=4H	< 0	< 0	< 0	< 0	< 0	< 0	< 0	< 0	< 0	< 0
x=12H y=6H	< 0	< 0	< 0	< 0	< 0	< 0	< 0	< 0	< 0	< 0
x=12H y=8H	< 0	< 0	< 0	< 0	< 0	< 0	< 0	< 0	< 0	< 0

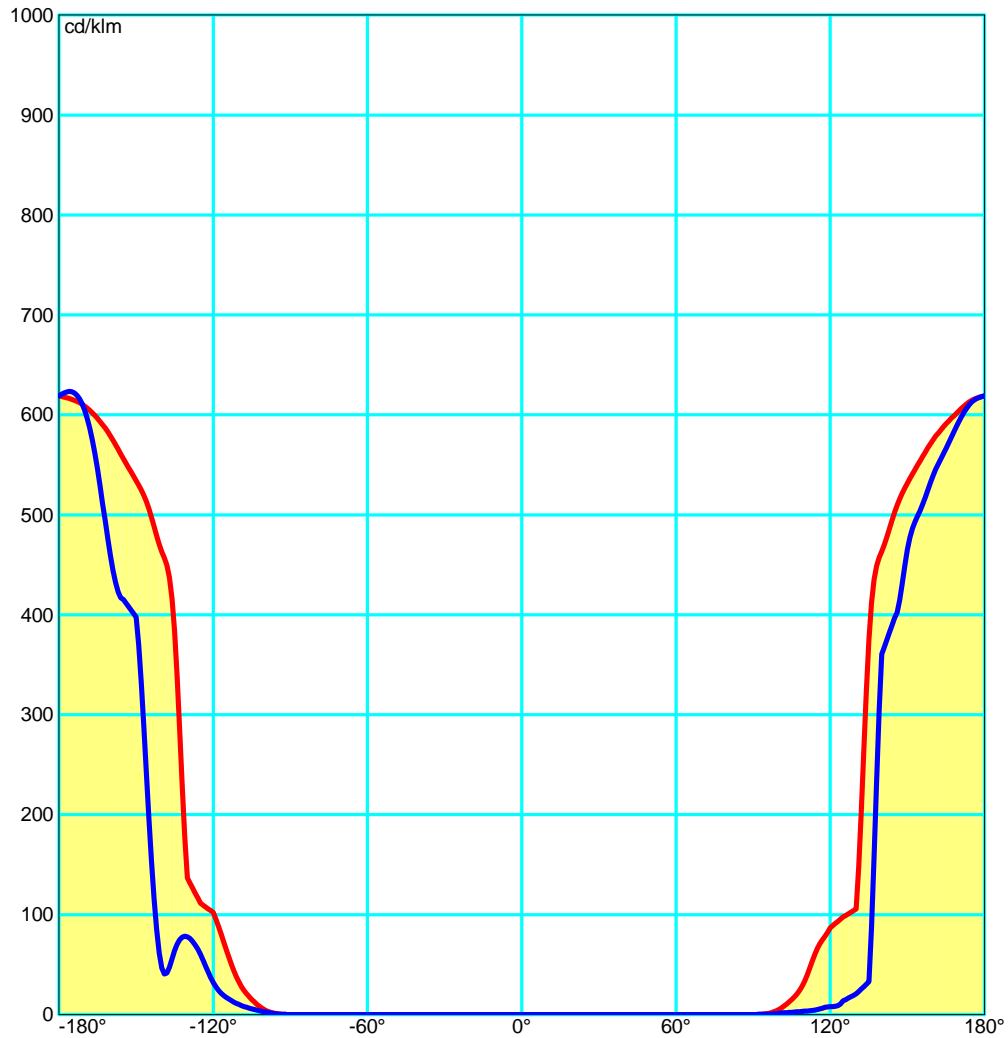
**Luminaire**  
 Code PX-0395-GRI  
 Name Aplique led  
**Measur.**  
 Code PX-0395-GRI  
 Name Aplique led

Luminaire Flux	96.36 lm	Luminaire Power	0.00 W	Efficacy	---	Efficiency	100.00%
Lamps Flux	96.36 lm	Maximum value	623.06 cd/klm	Position	C=270.00 G=175.00	CG	Asymmetrical

80mm x 64mm



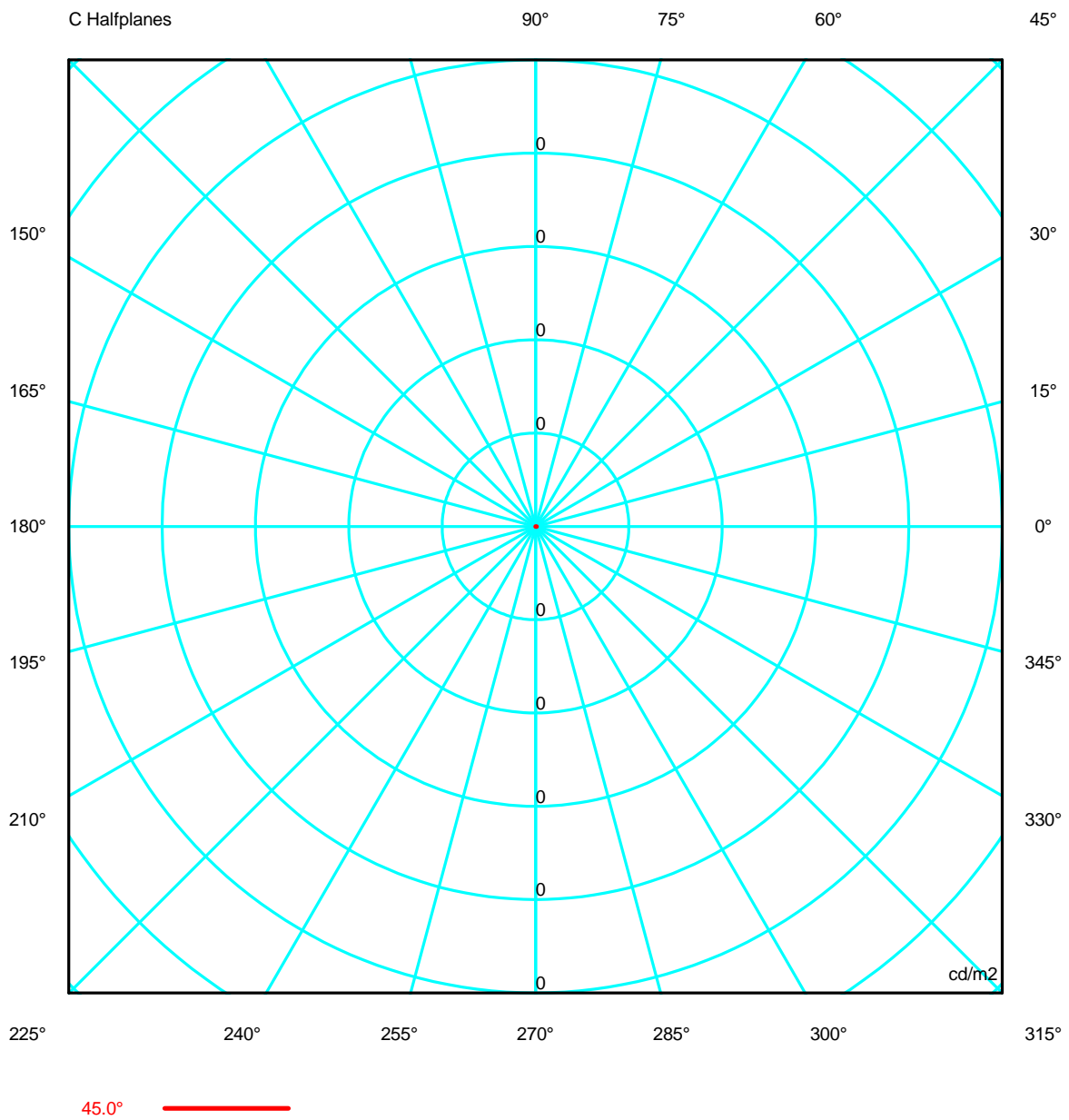
C Halfplanes  
 180.0 ——— 0.0  
 270.0 ——— 90.0



**Luminaire**  
 Code PX-0395-GRI  
 Name Aplique led  
**Measur.**  
 Code PX-0395-GRI  
 Name Aplique led

Luminaire Flux	96.36 lm	Luminaire Power	0.00 W	Efficacy	---	Efficiency	100.00%
Lamps Flux	96.36 lm	Maximum value	623.06 cd/klm	Position	C=270.00 G=175.00	CG	Asymmetrical

Luminance







**Luminaire**  
 Code PX-0395-GRI  
 Name Applique led  
**Measur.**  
 Code PX-0395-GRI  
 Name Applique led

Luminaire Flux	96.36 lm	Luminaire Power	0.00 W	Efficacy	---	Efficiency	100.00%
Lamps Flux	96.36 lm	Maximum value	623.06 cd/klm	Position	C=270.00 G=175.00	CG	Asymmetrical

**Luminance cd/m2 Table 1/3**

	C 0.00	C 10.00	C 20.00	C 30.00	C 40.00	C 50.00	C 60.00	C 70.00	C 80.00	C 90.00	C 100.00	C 110.00	C 120.00
G 0.0	0.00	0.00	0.00	0.00	0.00	0.00	0.00	0.00	0.00	0.00	0.00	0.00	0.00
G 5.0	0.00	0.00	0.00	0.00	0.00	0.00	0.00	0.00	0.00	0.00	0.00	0.00	0.00
G 10.0	0.00	0.00	0.00	0.00	0.00	0.00	0.00	0.00	0.00	0.00	0.00	0.00	0.00
G 15.0	0.00	0.00	0.00	0.00	0.00	0.00	0.00	0.00	0.00	0.00	0.00	0.00	0.00
G 20.0	0.00	0.00	0.00	0.00	0.00	0.00	0.00	0.00	0.00	0.00	0.00	0.00	0.00
G 25.0	0.00	0.00	0.00	0.00	0.00	0.00	0.00	0.00	0.00	0.00	0.00	0.00	0.00
G 30.0	0.00	0.00	0.00	0.00	0.00	0.00	0.00	0.00	0.00	0.00	0.00	0.00	0.00
G 35.0	0.00	0.00	0.00	0.00	0.00	0.00	0.00	0.00	0.00	0.00	0.00	0.00	0.00
G 40.0	0.00	0.00	0.00	0.00	0.00	0.00	0.00	0.00	0.00	0.00	0.00	0.00	0.00
G 45.0	0.00	0.00	0.00	0.00	0.00	0.00	0.00	0.00	0.00	0.00	0.00	0.00	0.00
G 50.0	0.00	0.00	0.00	0.00	0.00	0.00	0.00	0.00	0.00	0.00	0.00	0.00	0.00
G 55.0	0.00	0.00	0.00	0.00	0.00	0.00	0.00	0.00	0.00	0.00	0.00	0.00	0.00
G 60.0	0.00	0.00	0.00	0.00	0.00	0.00	0.00	0.00	0.00	0.00	0.00	0.00	0.00
G 65.0	0.00	0.00	0.00	0.00	0.00	0.00	0.00	0.00	0.00	0.00	0.00	0.00	0.00
G 70.0	0.00	0.00	0.00	0.00	0.00	0.00	0.00	0.00	0.00	0.00	0.00	0.00	0.00
G 75.0	0.00	0.00	0.00	0.00	0.00	0.00	0.00	0.00	0.00	0.00	0.00	0.00	0.00
G 80.0	0.00	0.00	0.00	0.00	0.00	0.00	0.00	0.00	0.00	0.00	0.00	0.00	0.00
G 85.0	0.00	0.00	0.00	0.00	0.00	0.00	0.00	0.00	0.00	0.00	0.00	0.00	0.00
G 90.0	0.00	0.00	0.00	0.00	0.00	0.00	0.00	0.00	0.00	0.00	0.00	0.00	0.00



**Luminaire**  
 Code PX-0395-GRI  
 Name Applique led  
**Measur.**  
 Code PX-0395-GRI  
 Name Applique led

Luminaire Flux	96.36 lm	Luminaire Power	0.00 W	Efficacy	---	Efficiency	100.00%
Lamps Flux	96.36 lm	Maximum value	623.06 cd/klm	Position	C=270.00 G=175.00	CG	Asymmetrical

**Luminance cd/m2 Table 2/3**

	C 130.00	C 140.00	C 150.00	C 160.00	C 170.00	C 180.00	C 190.00	C 200.00	C 210.00	C 220.00	C 230.00	C 240.00	C 250.00
G 0.0	0.00	0.00	0.00	0.00	0.00	0.00	0.00	0.00	0.00	0.00	0.00	0.00	0.00
G 5.0	0.00	0.00	0.00	0.00	0.00	0.00	0.00	0.00	0.00	0.00	0.00	0.00	0.00
G 10.0	0.00	0.00	0.00	0.00	0.00	0.00	0.00	0.00	0.00	0.00	0.00	0.00	0.00
G 15.0	0.00	0.00	0.00	0.00	0.00	0.00	0.00	0.00	0.00	0.00	0.00	0.00	0.00
G 20.0	0.00	0.00	0.00	0.00	0.00	0.00	0.00	0.00	0.00	0.00	0.00	0.00	0.00
G 25.0	0.00	0.00	0.00	0.00	0.00	0.00	0.00	0.00	0.00	0.00	0.00	0.00	0.00
G 30.0	0.00	0.00	0.00	0.00	0.00	0.00	0.00	0.00	0.00	0.00	0.00	0.00	0.00
G 35.0	0.00	0.00	0.00	0.00	0.00	0.00	0.00	0.00	0.00	0.00	0.00	0.00	0.00
G 40.0	0.00	0.00	0.00	0.00	0.00	0.00	0.00	0.00	0.00	0.00	0.00	0.00	0.00
G 45.0	0.00	0.00	0.00	0.00	0.00	0.00	0.00	0.00	0.00	0.00	0.00	0.00	0.00
G 50.0	0.00	0.00	0.00	0.00	0.00	0.00	0.00	0.00	0.00	0.00	0.00	0.00	0.00
G 55.0	0.00	0.00	0.00	0.00	0.00	0.00	0.00	0.00	0.00	0.00	0.00	0.00	0.00
G 60.0	0.00	0.00	0.00	0.00	0.00	0.00	0.00	0.00	0.00	0.00	0.00	0.00	0.00
G 65.0	0.00	0.00	0.00	0.00	0.00	0.00	0.00	0.00	0.00	0.00	0.00	0.00	0.00
G 70.0	0.00	0.00	0.00	0.00	0.00	0.00	0.00	0.00	0.00	0.00	0.00	0.00	0.00
G 75.0	0.00	0.00	0.00	0.00	0.00	0.00	0.00	0.00	0.00	0.00	0.00	0.00	0.00
G 80.0	0.00	0.00	0.00	0.00	0.00	0.00	0.00	0.00	0.00	0.00	0.00	0.00	0.00
G 85.0	0.00	0.00	0.00	0.00	0.00	0.00	0.00	0.00	0.00	0.00	0.00	0.00	0.00
G 90.0	0.00	0.00	0.00	0.00	0.00	0.00	0.00	0.00	0.00	0.00	0.00	0.00	0.00



**Luminaire**

Code PX-0395-GRI  
Name Aplique led

**Measur.**

Code PX-0395-GRI  
Name Aplique led

Luminaire Flux	96.36 lm	Luminaire Power	0.00 W	Efficacy	---	Efficiency	100.00%
Lamps Flux	96.36 lm	Maximum value	623.06 cd/klm	Position	C=270.00 G=175.00	CG	Asymmetrical

**Luminance cd/m2 Table 3/3**

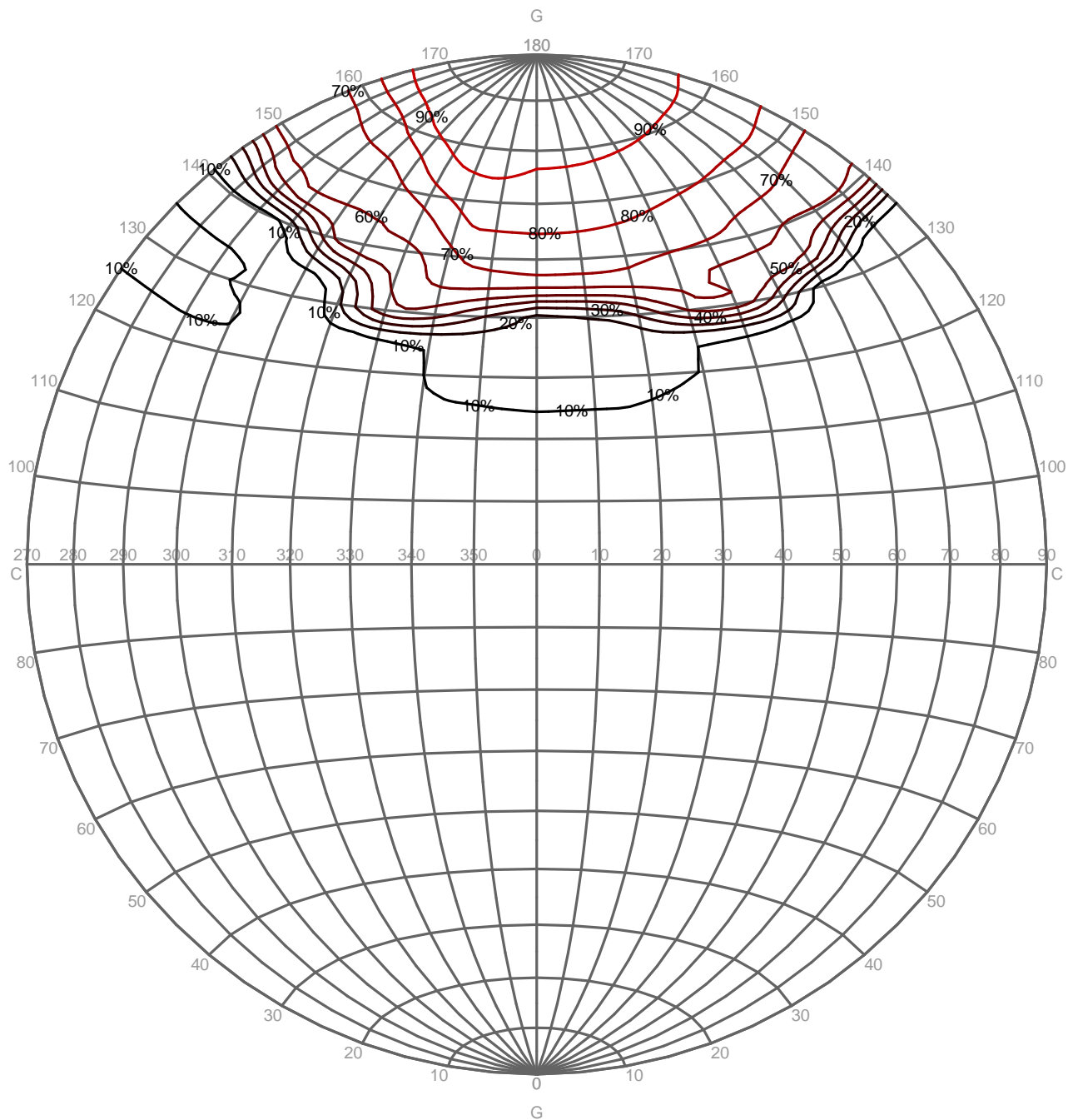
	C 260.00	C 270.00	C 280.00	C 290.00	C 300.00	C 310.00	C 320.00	C 330.00	C 340.00	C 350.00
G 0.0	0.00	0.00	0.00	0.00	0.00	0.00	0.00	0.00	0.00	0.00
G 5.0	0.00	0.00	0.00	0.00	0.00	0.00	0.00	0.00	0.00	0.00
G 10.0	0.00	0.00	0.00	0.00	0.00	0.00	0.00	0.00	0.00	0.00
G 15.0	0.00	0.00	0.00	0.00	0.00	0.00	0.00	0.00	0.00	0.00
G 20.0	0.00	0.00	0.00	0.00	0.00	0.00	0.00	0.00	0.00	0.00
G 25.0	0.00	0.00	0.00	0.00	0.00	0.00	0.00	0.00	0.00	0.00
G 30.0	0.00	0.00	0.00	0.00	0.00	0.00	0.00	0.00	0.00	0.00
G 35.0	0.00	0.00	0.00	0.00	0.00	0.00	0.00	0.00	0.00	0.00
G 40.0	0.00	0.00	0.00	0.00	0.00	0.00	0.00	0.00	0.00	0.00
G 45.0	0.00	0.00	0.00	0.00	0.00	0.00	0.00	0.00	0.00	0.00
G 50.0	0.00	0.00	0.00	0.00	0.00	0.00	0.00	0.00	0.00	0.00
G 55.0	0.00	0.00	0.00	0.00	0.00	0.00	0.00	0.00	0.00	0.00
G 60.0	0.00	0.00	0.00	0.00	0.00	0.00	0.00	0.00	0.00	0.00
G 65.0	0.00	0.00	0.00	0.00	0.00	0.00	0.00	0.00	0.00	0.00
G 70.0	0.00	0.00	0.00	0.00	0.00	0.00	0.00	0.00	0.00	0.00
G 75.0	0.00	0.00	0.00	0.00	0.00	0.00	0.00	0.00	0.00	0.00
G 80.0	0.00	0.00	0.00	0.00	0.00	0.00	0.00	0.00	0.00	0.00
G 85.0	0.00	0.00	0.00	0.00	0.00	0.00	0.00	0.00	0.00	0.00
G 90.0	0.00	0.00	0.00	0.00	0.00	0.00	0.00	0.00	0.00	0.00

**Luminaire**  
 Code PX-0395-GRI  
 Name Aplique led  
**Measur.**  
 Code PX-0395-GRI  
 Name Aplique led

Luminaire Flux	96.36 lm	Luminaire Power	0.00 W	Efficacy	---	Efficiency	100.00%
Lamps Flux	96.36 lm	Maximum value	623.06 cd/klm	Position	C=270.00 G=175.00	CG	Asymmetrical

**PERCENTAGE ISOCANDLES**

Projection: Equal Area Tilting Angle:0°

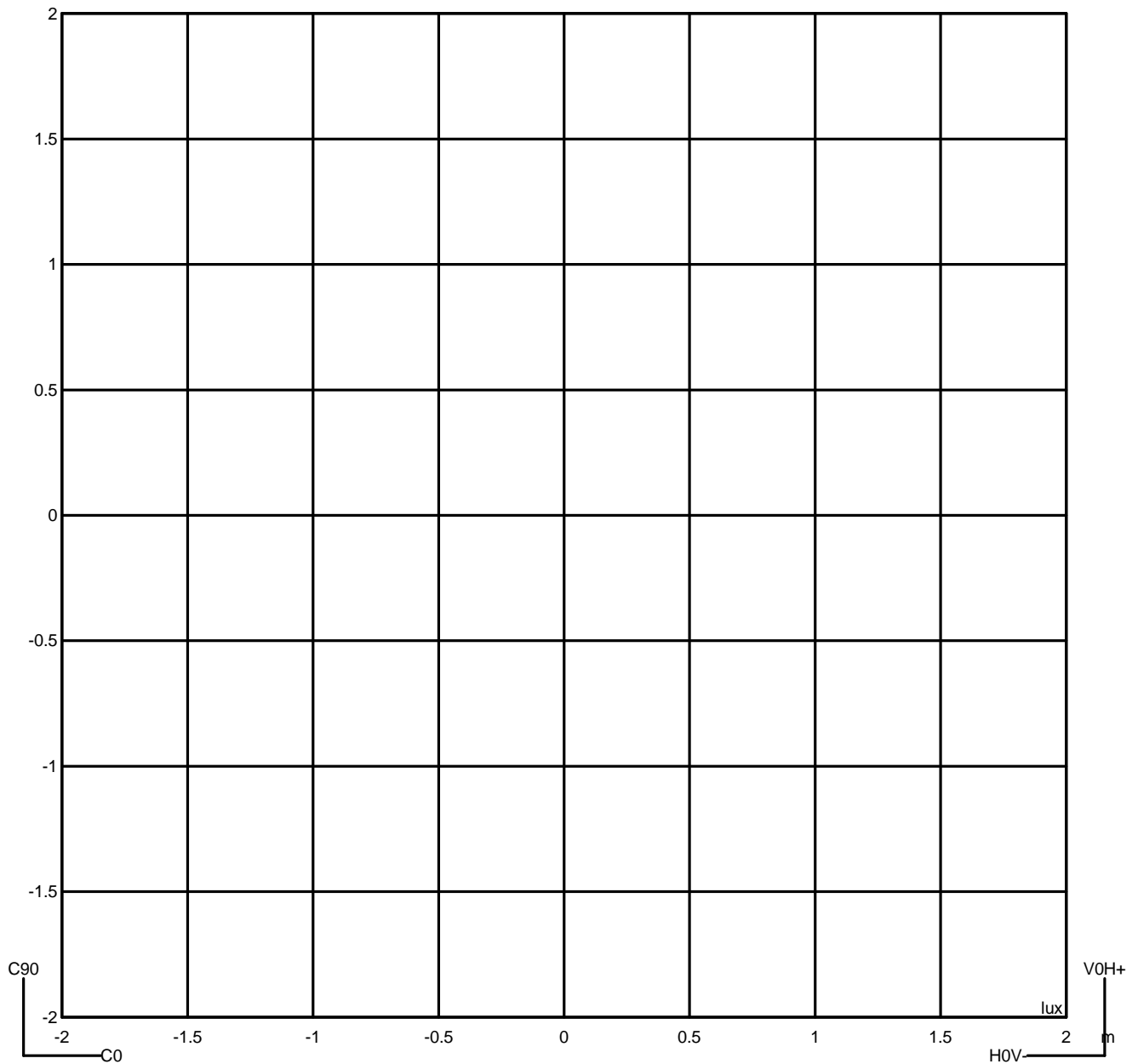


**Luminaire**  
 Code PX-0395-GRI  
 Name Aplique led  
**Measur.**  
 Code PX-0395-GRI  
 Name Aplique led

Luminaire Flux	96.36 lm	Luminaire Power	0.00 W	Efficacy	---	Efficiency	100.00%
Lamps Flux	96.36 lm	Maximum value	623.06 cd/klm	Position	C=270.00 G=175.00	CG	Asymmetrical

Isolux (Floor)

Luminaire position X=0.00m Y=0.00m Z=2.50m



**Luminaire**  
 Code PX-0395-GRI  
 Name Aplique led  
**Measur.**  
 Code PX-0395-GRI  
 Name Aplique led

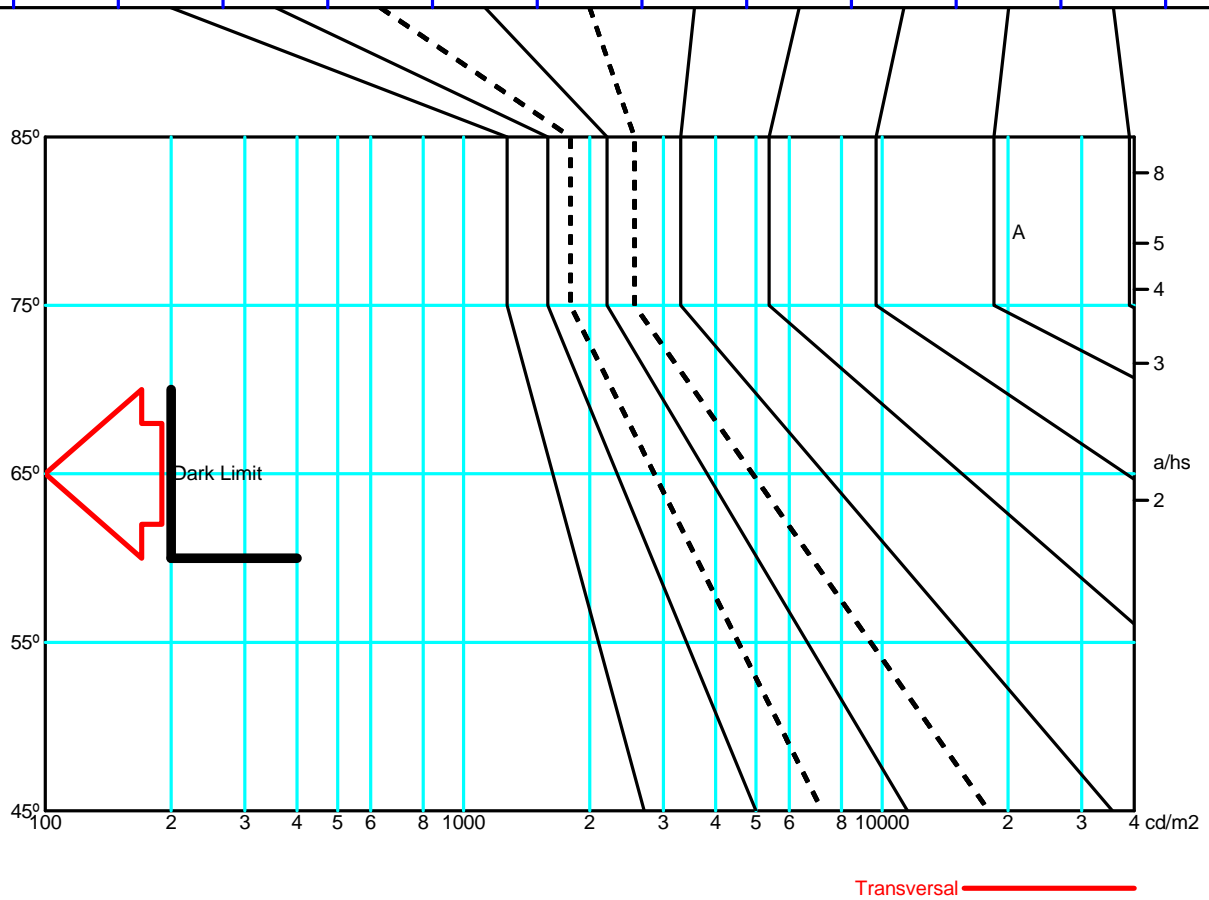
Luminaire Flux	96.36 lm	Luminaire Power	0.00 W	Efficacy	---	Efficiency	100.00%
Lamps Flux	96.36 lm	Maximum value	623.06 cd/klm	Position	C=270.00 G=175.00	CG	Asymmetrical

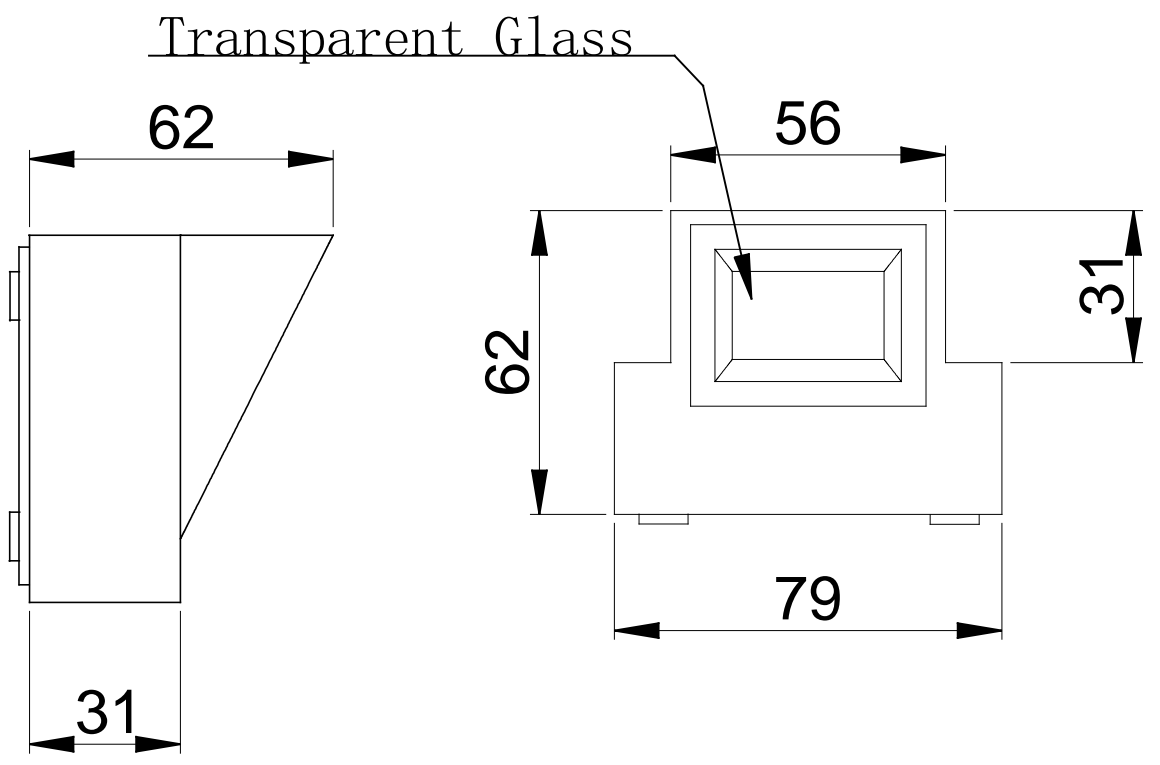
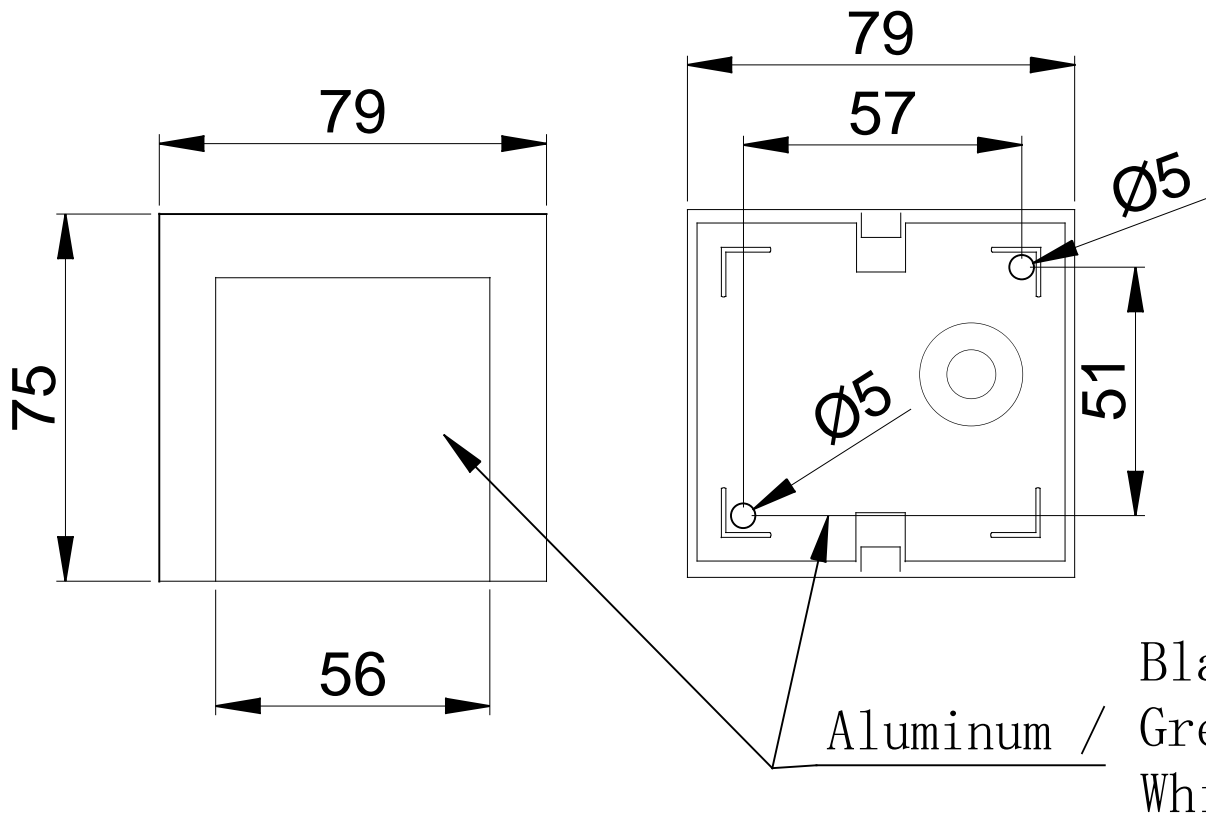
Average Luminance [cd/m<sup>2</sup>]

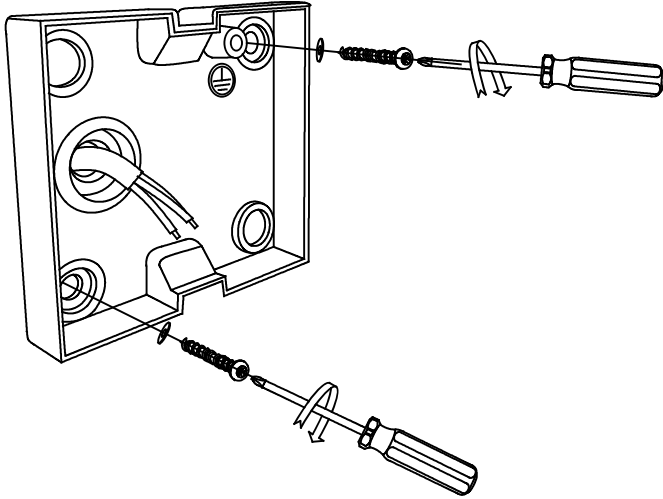
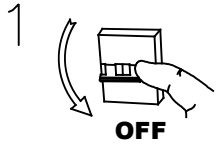
0.0°    45°    50°    55°    60°    65°    70°    75°    80°    85°    ---

0        0        0        0        0        0        0        0        0        ---

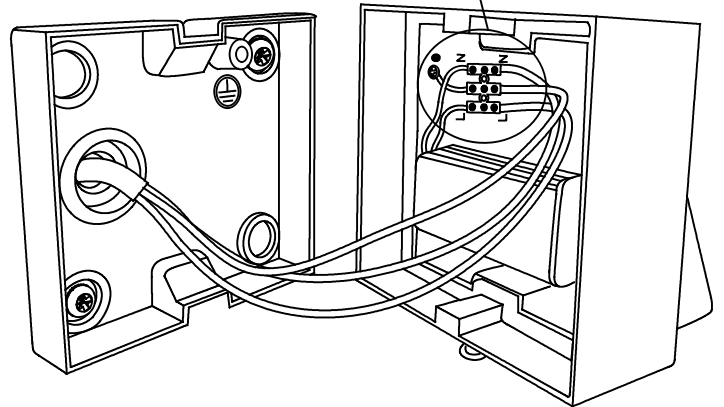
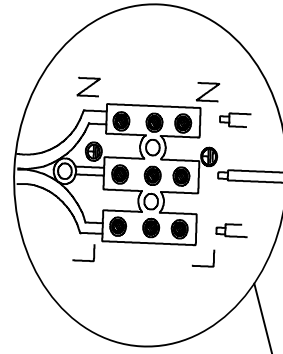
Flush mounted or longitudinal view												
		Illumination(lx)										
A	A	2000	1000	750	500		<300					1.15
B	1		2000	1500	1000	750	500	<300				1.5
C					2000		1000	500	<300			1.85
D	2						2000	1000	500	<300		2.2
E	3							2000	1000	500	<300	2.55



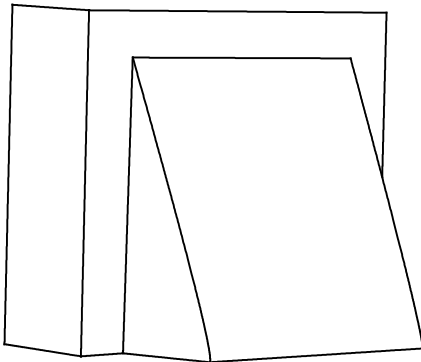
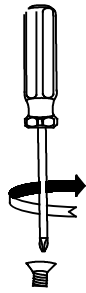




2



3



4

