

ROOF WINDOW

FR Fenêtre de toit • **DE** Dachfenster • **DK** Ovenlysvindue
NL Dakvenster • **IT** Finestra per tetti • **HU** Tetőtéri ablak
SK Strešné okná • **PL** Okno dachowe • **RO** Ferestre de mansarda
CZ Střešní okna • **SI** Strešno okno • **HR** Krovni prozor



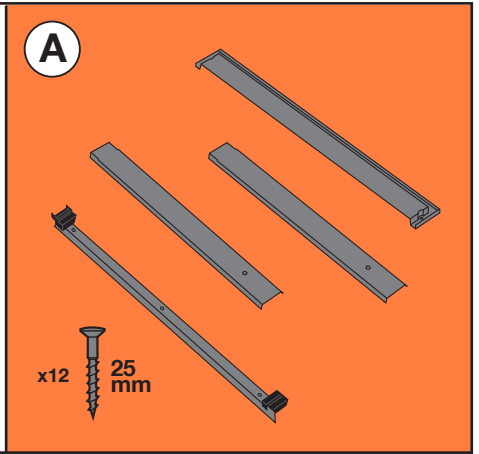
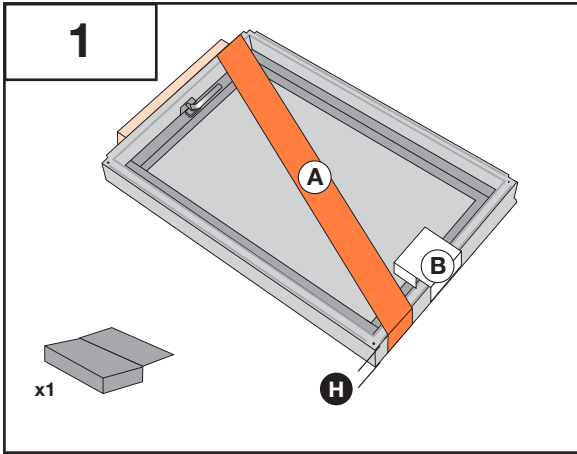
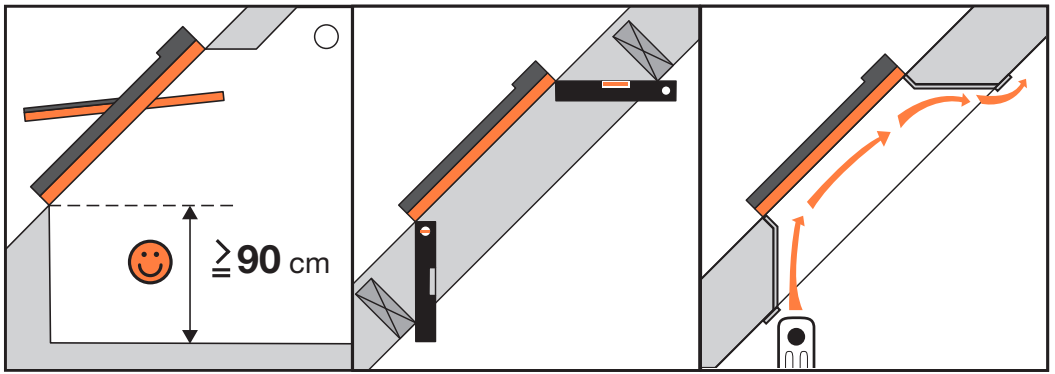
SFX
15-90°





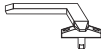



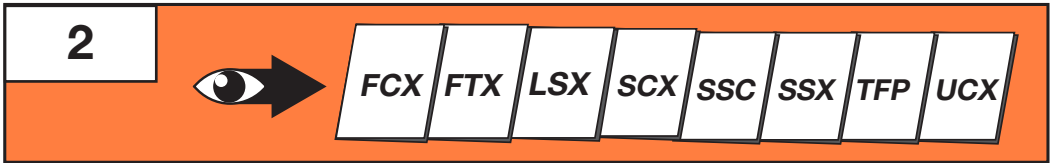
TFX
15-90°



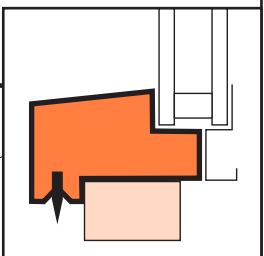
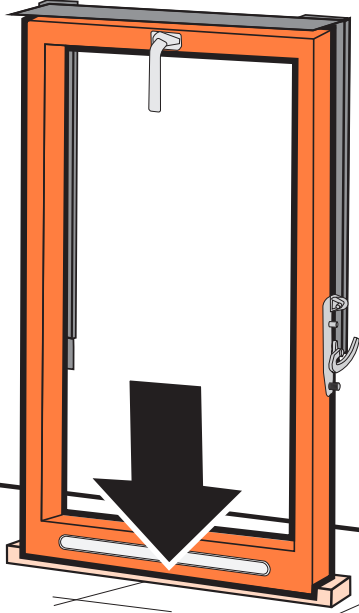
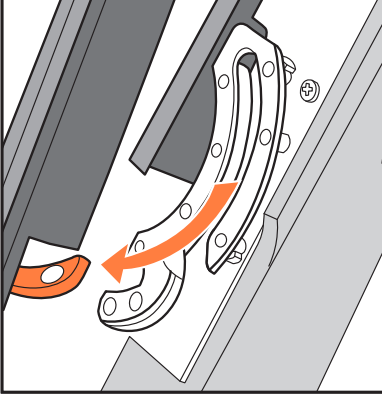
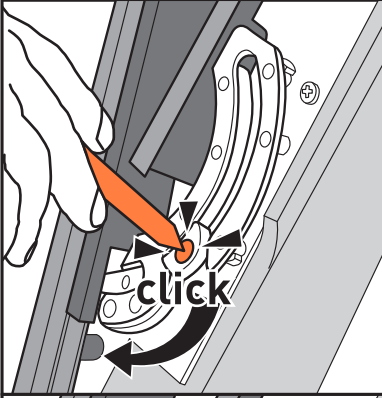
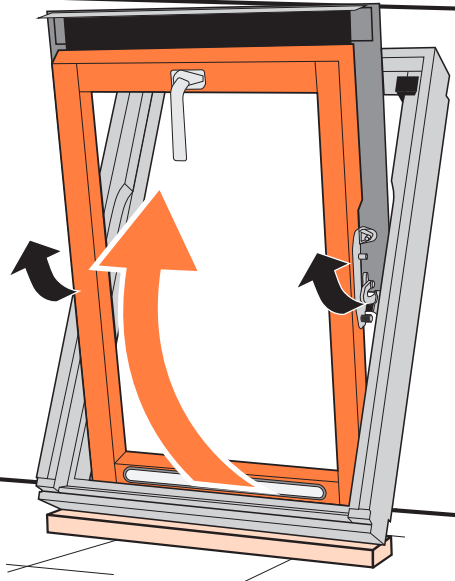
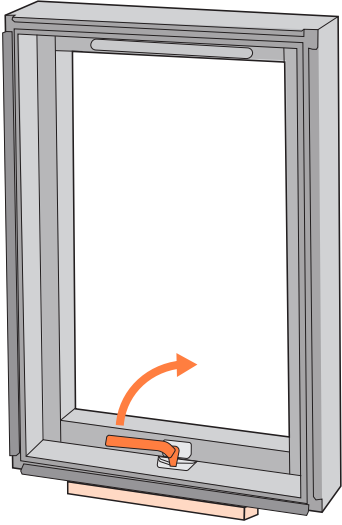
UFX
15-90°



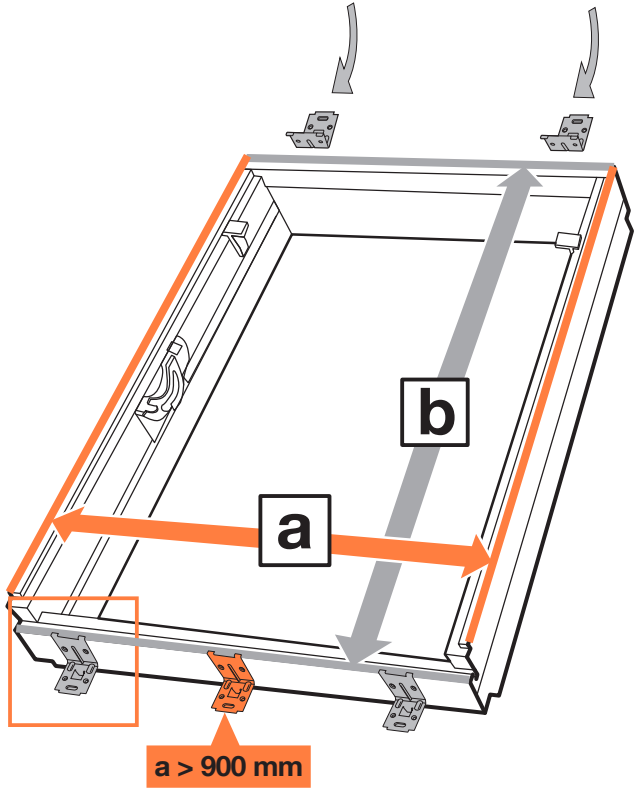
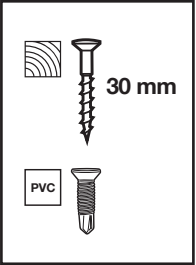
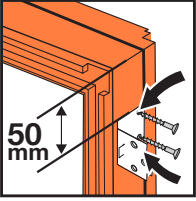
B		 30 mm			
PVC	x4: C2A (55x78), C4A (55x98), F4A (66x98), F6A (66x118), M4A (78x98), M6A (78x118) x5: P6A (92x118), S6A (114x118) x6: M8A (78x140), M10A (78x160) x7: P8A (94x140)	x18	x16	x1	-
	x4: C2A (55x78), C4A (55x98), F4A (66x98), F6A(66x118), M4A (78x98), M6A (78x118) x5: P6A (92x118), S6A (114x118) x6: M8A (78x140), M10A (78x160) x7: P8A (94x140), S8A (114x140)	x18: C2A (55x78), C4A (55x98), F4A (66x98), F6A (66x118), M4A (78x98), M6A (78x118) x27: M8A (78x140), M10A (78x160), P6A (92x118), S6A (114x118) x36: P8A (94x140), S8A (114x140)	-	x1	H = 120 mm - H = 91 mm x1



3



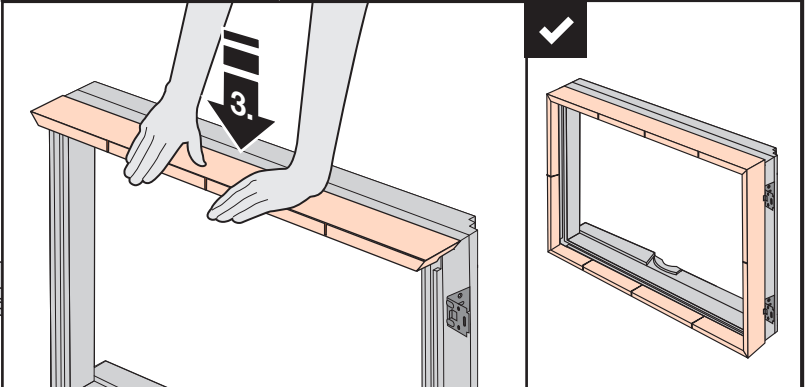
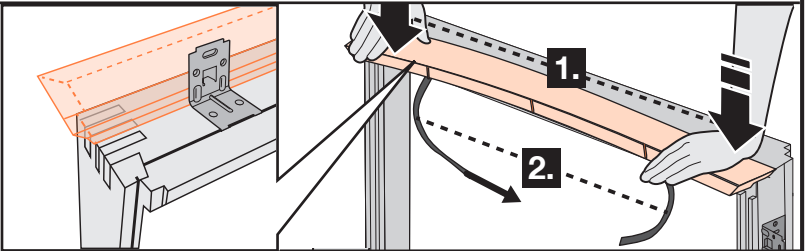
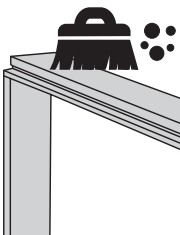
4



5



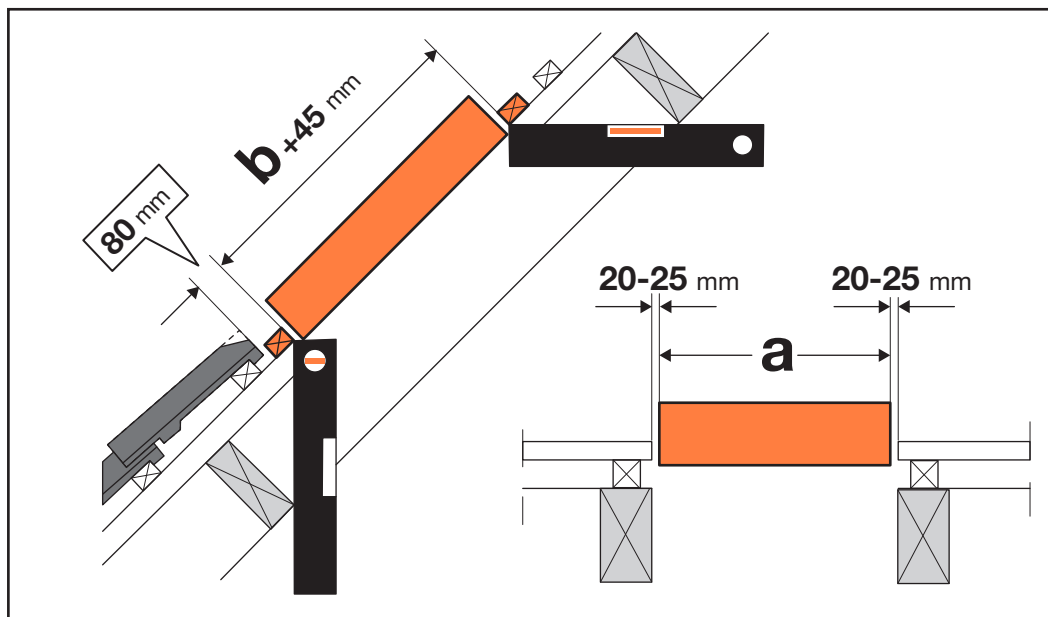
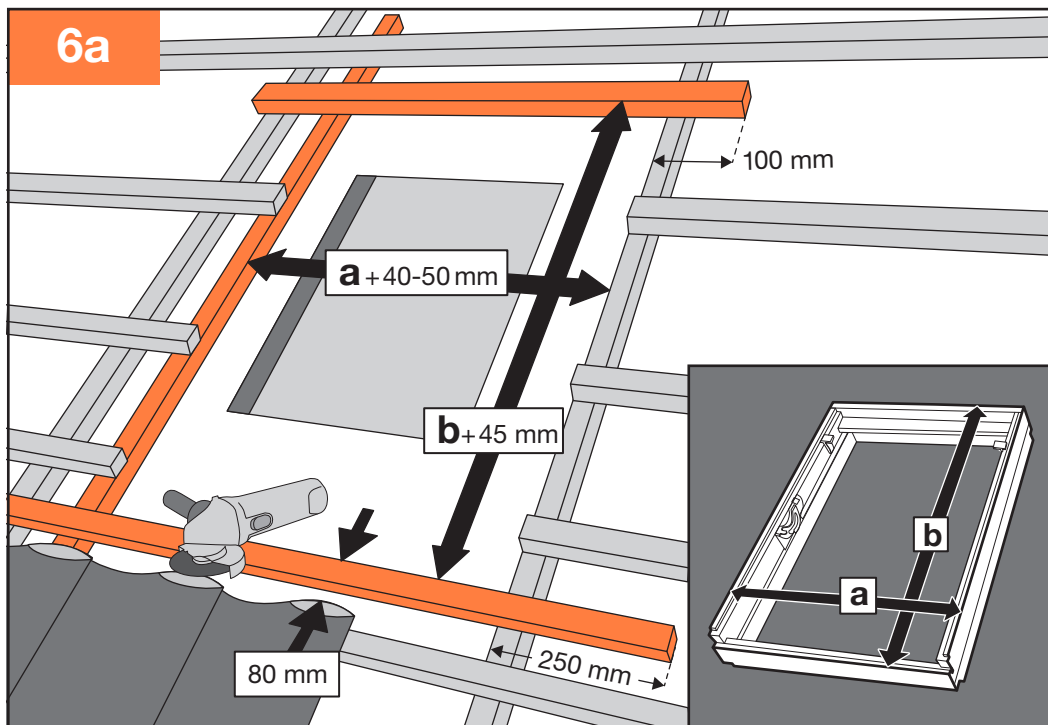
IFC





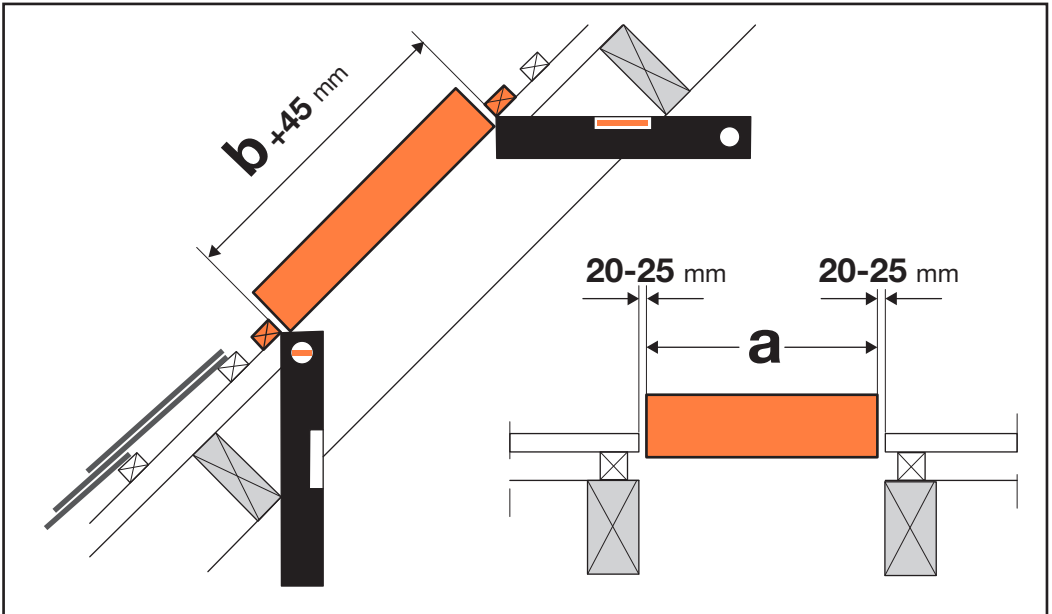
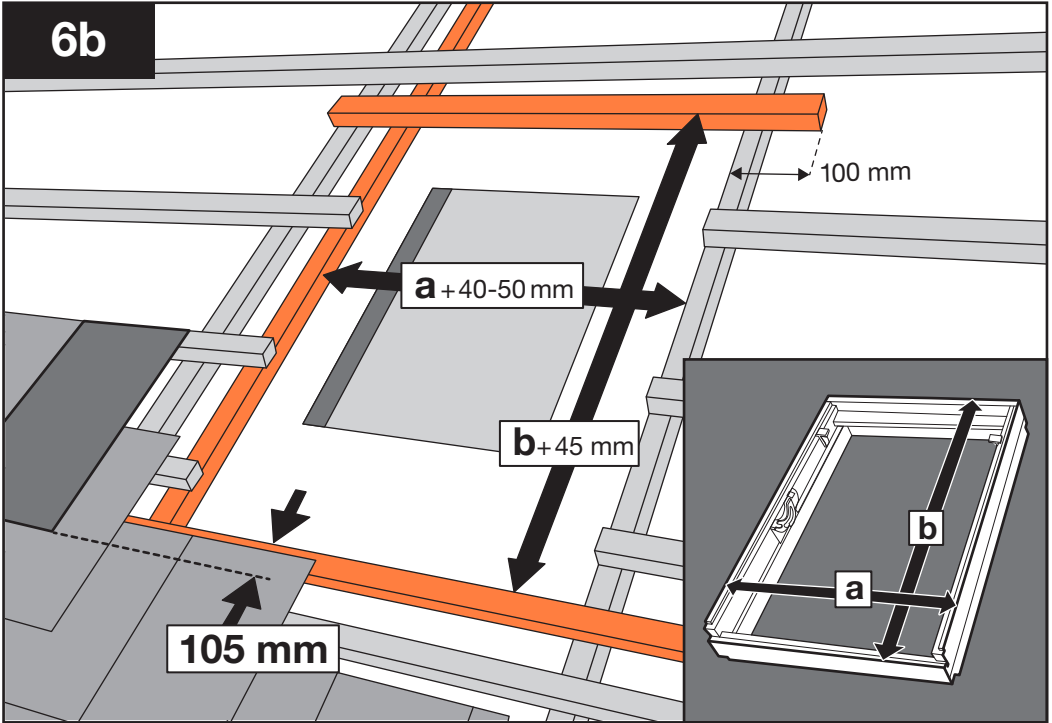
TFX, UFX

6a

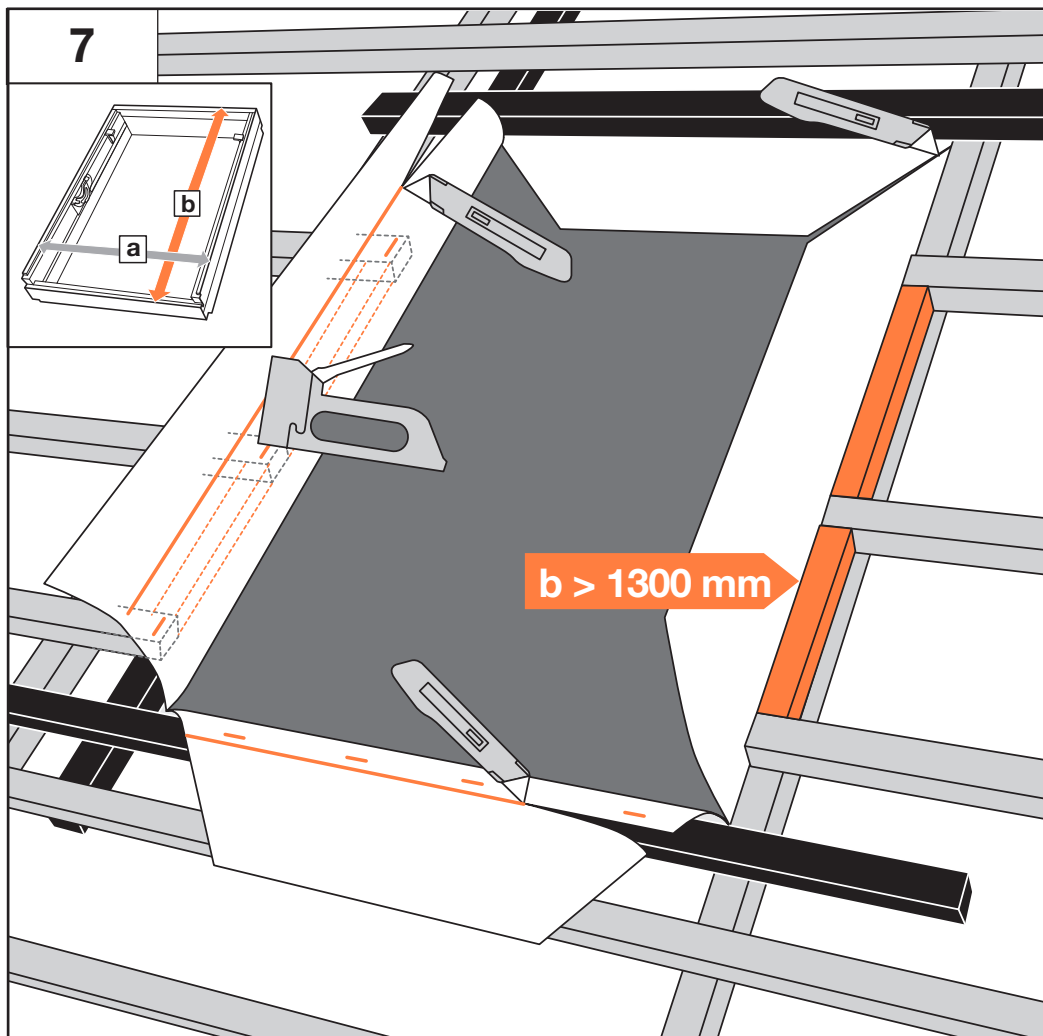




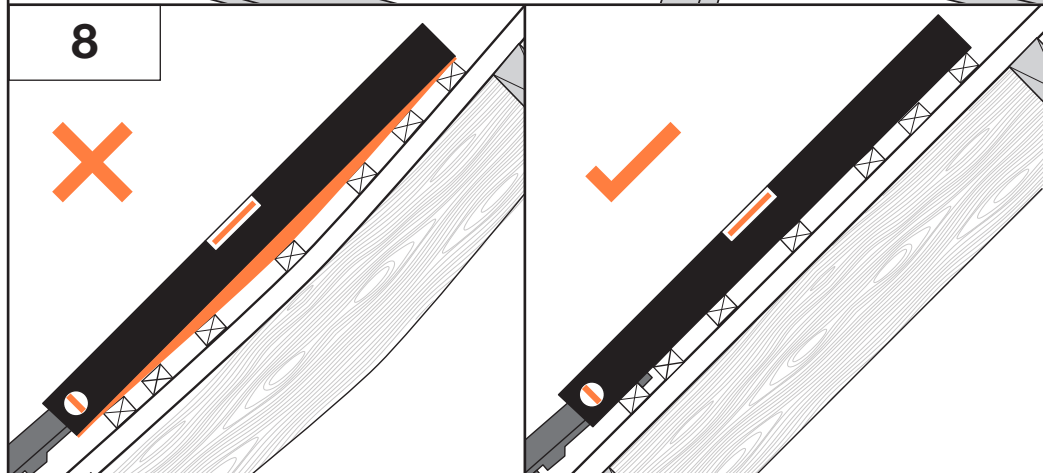
6b



7



8

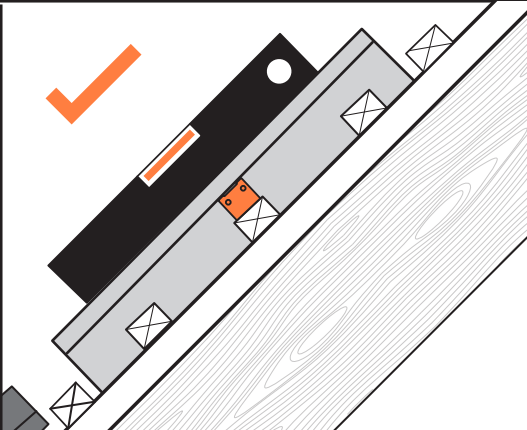
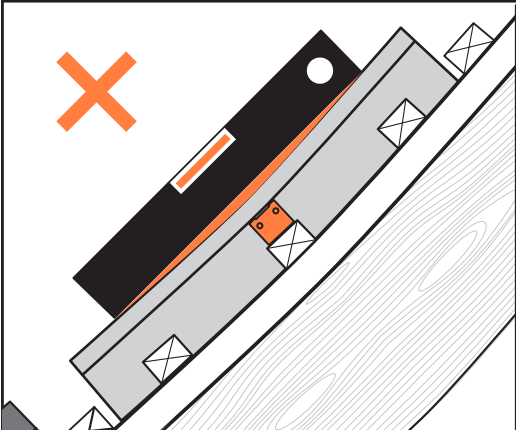
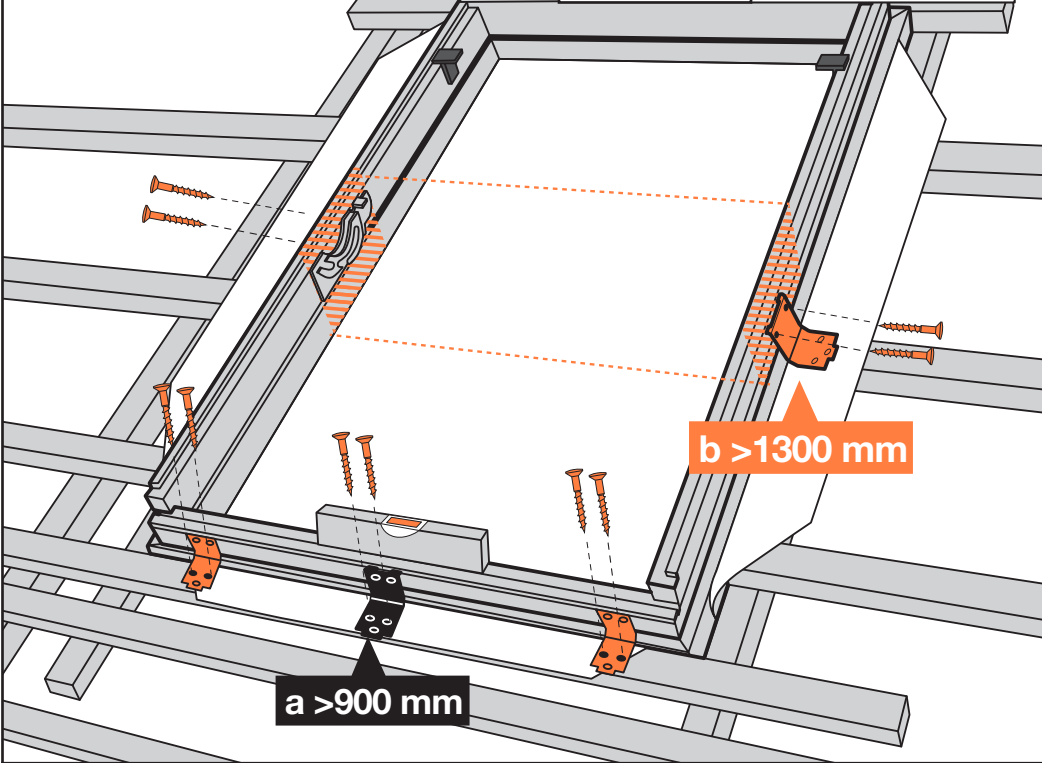


9

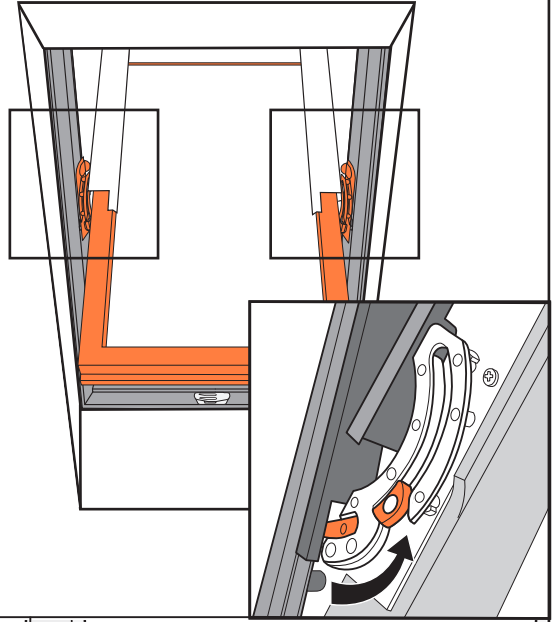
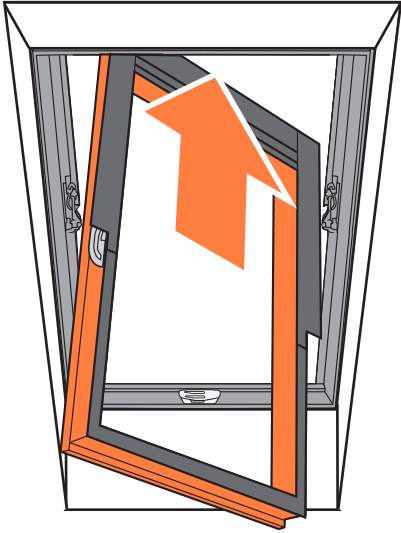
30 mm

PVC

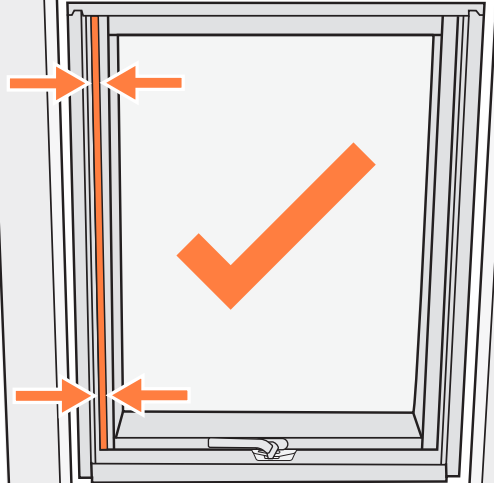
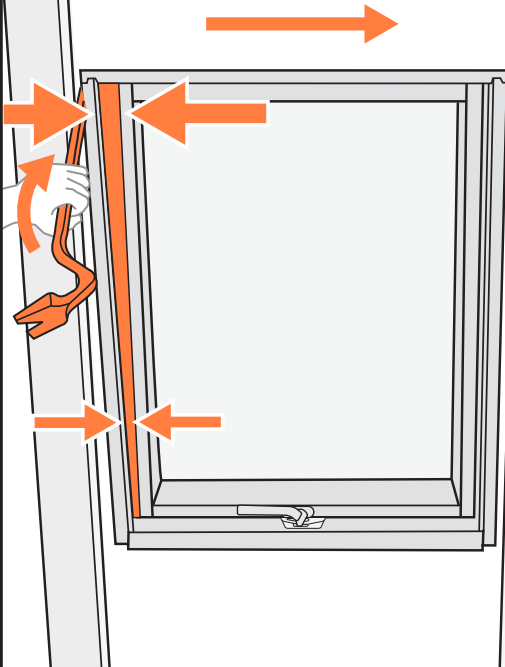
The legend shows a wood grain icon, a 30 mm screw, a PVC icon, and a shorter screw. To the right, a diagram of a window frame shows dimension 'a' as the width and 'b' as the height.



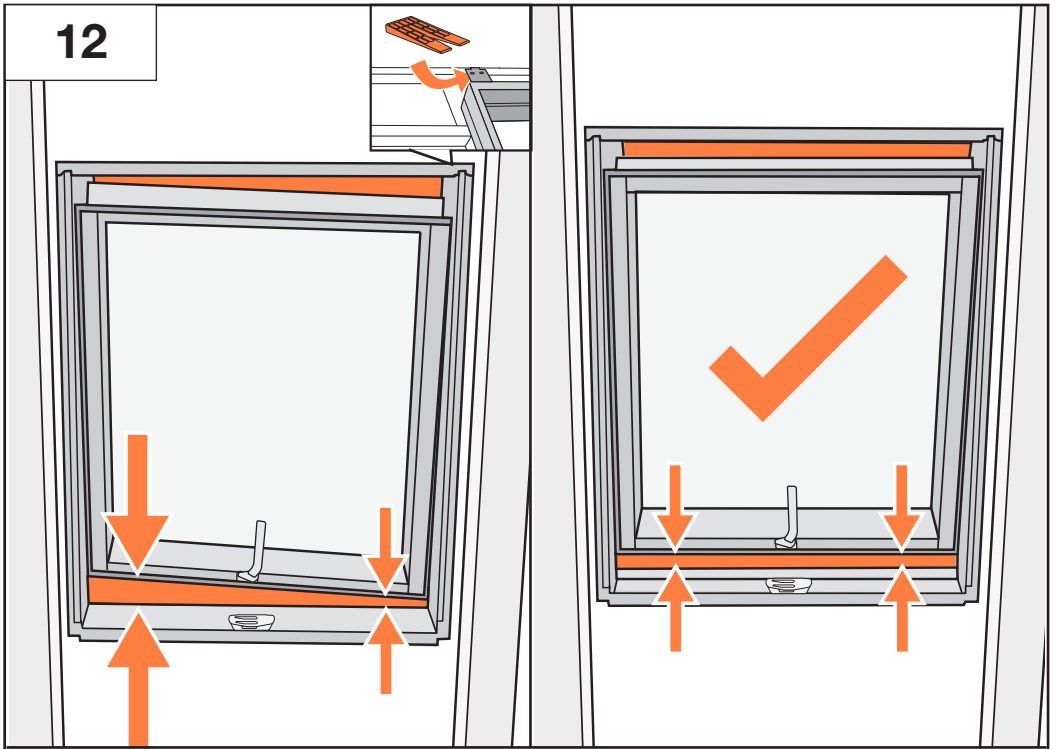
10



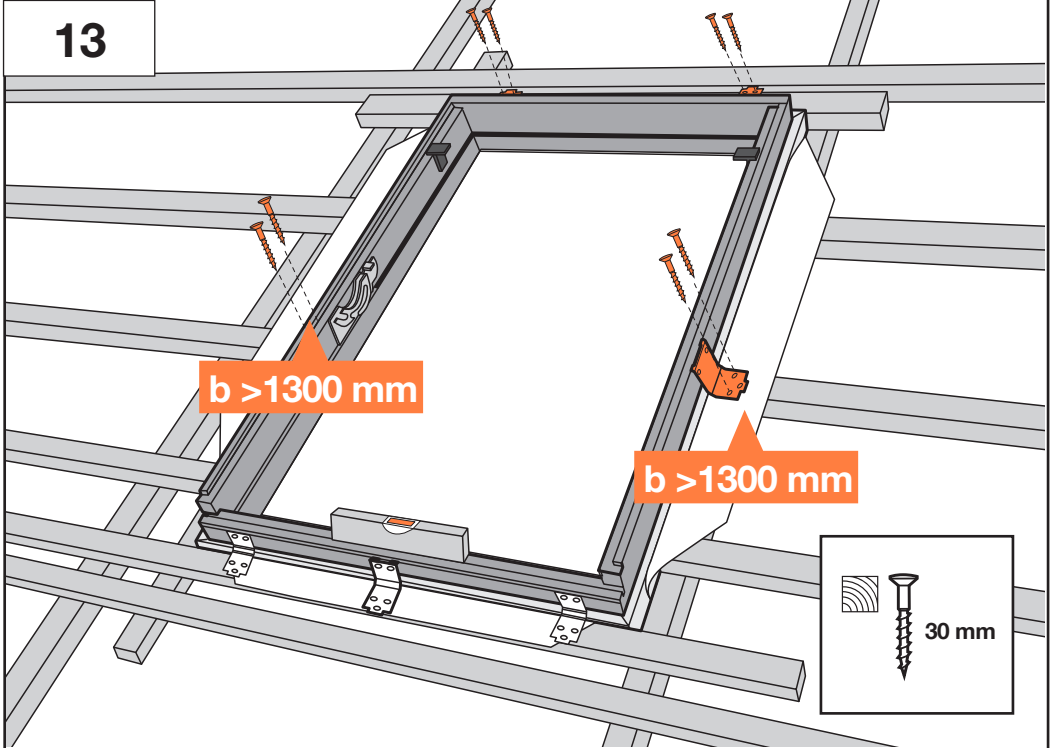
11



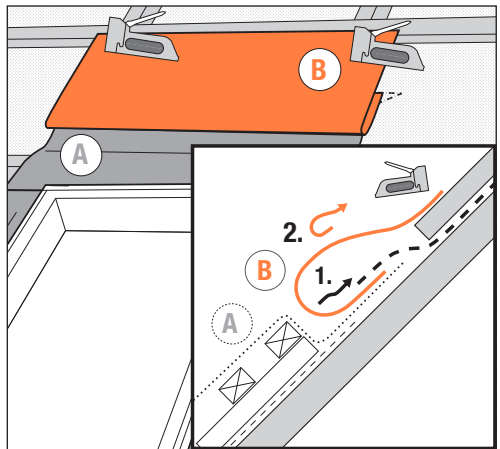
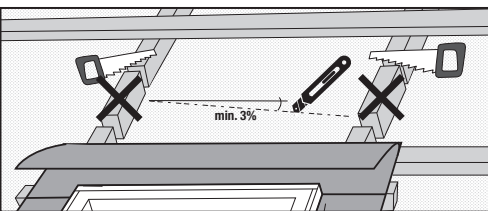
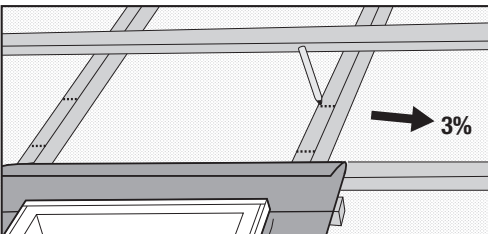
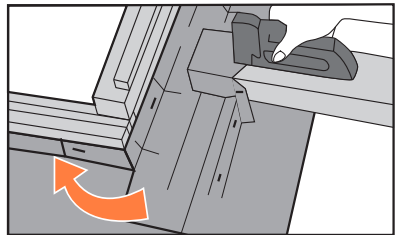
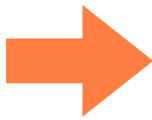
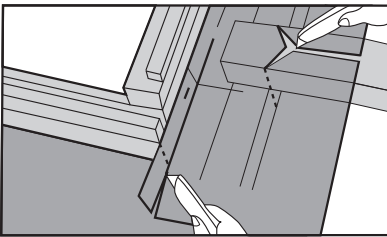
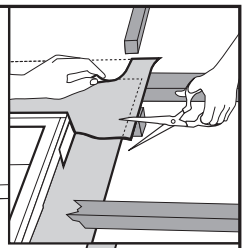
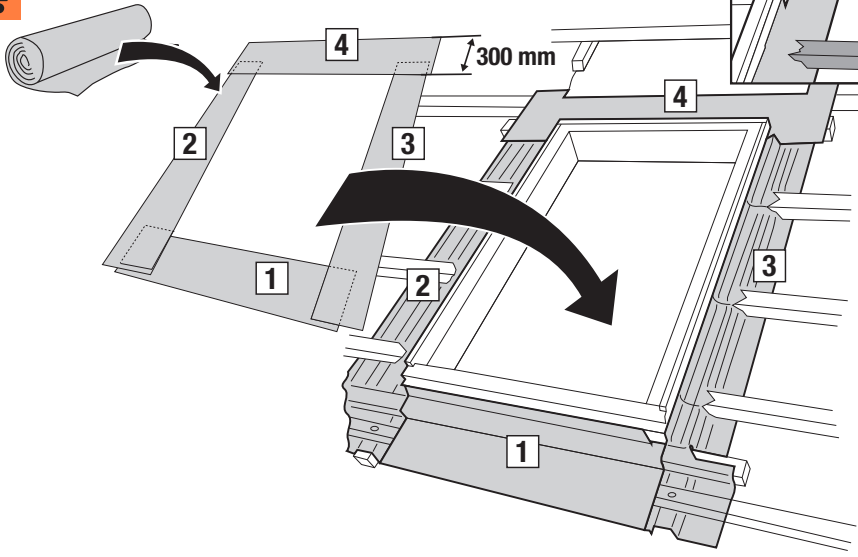
12



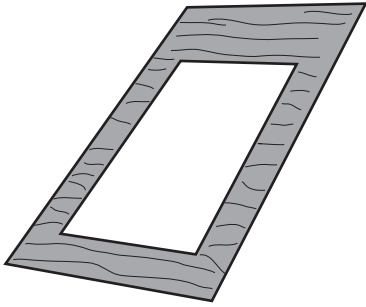
13



14a



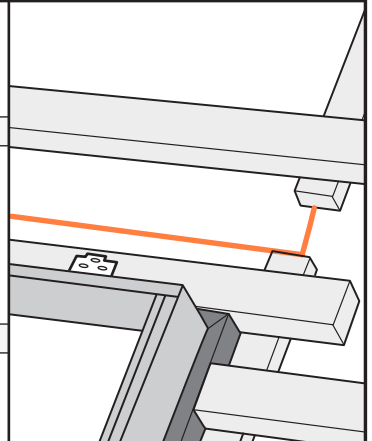
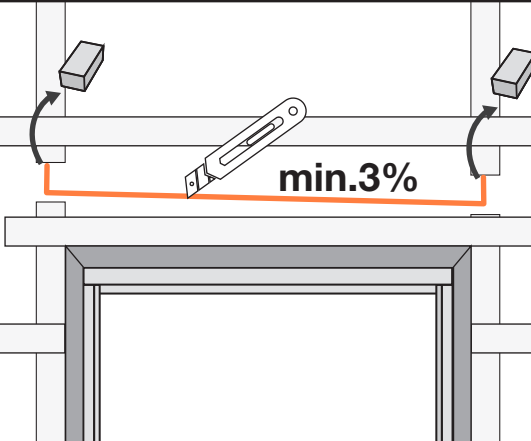
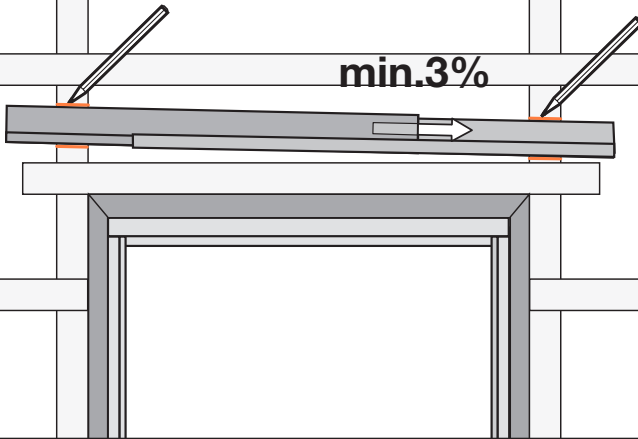
14b

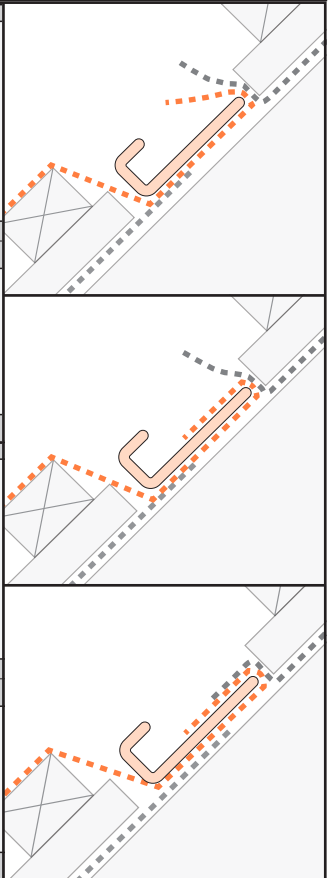
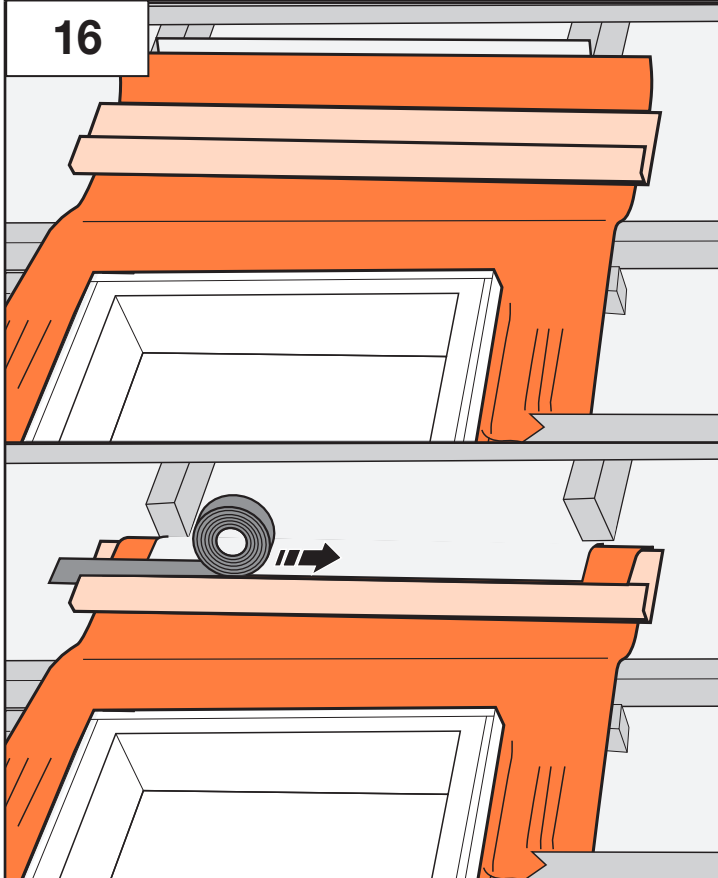
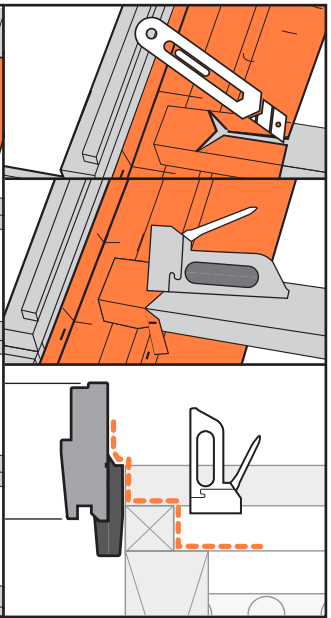
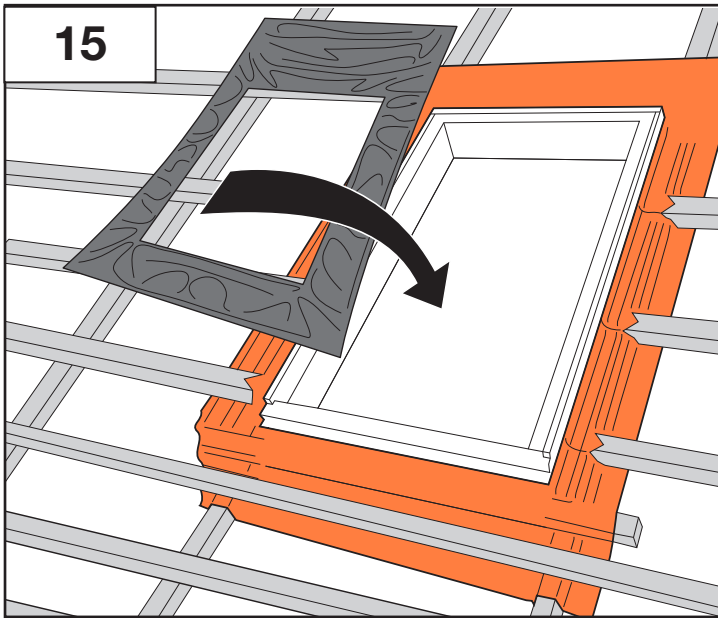


RUC



DG





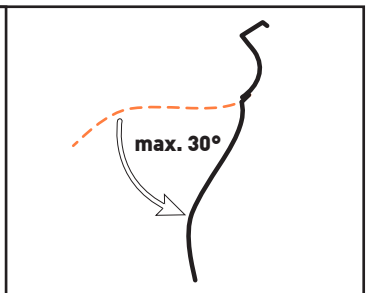
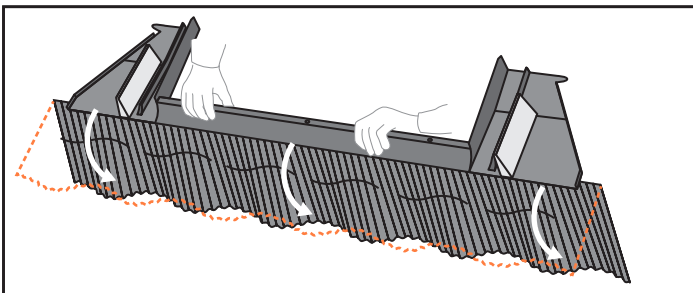
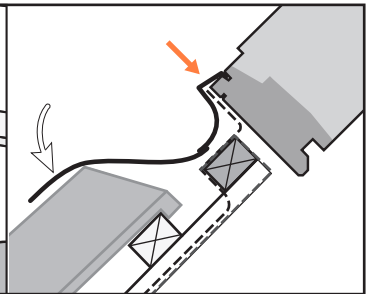
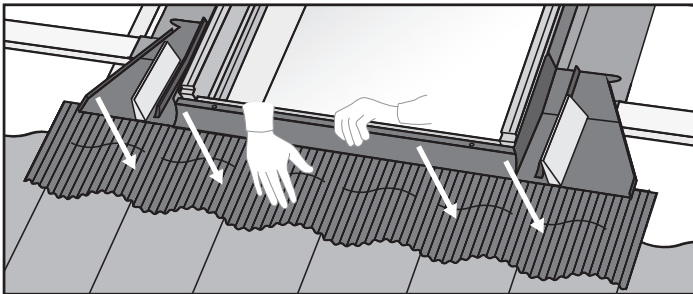
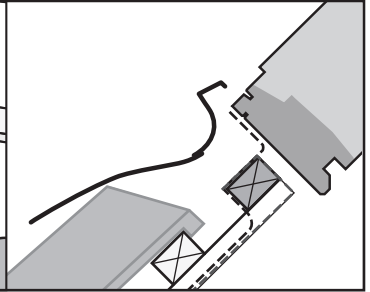
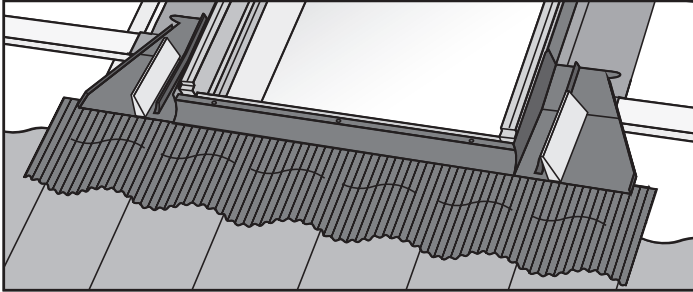
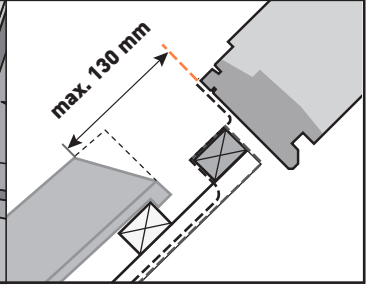
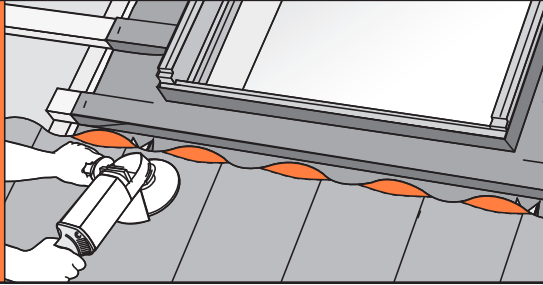


17a

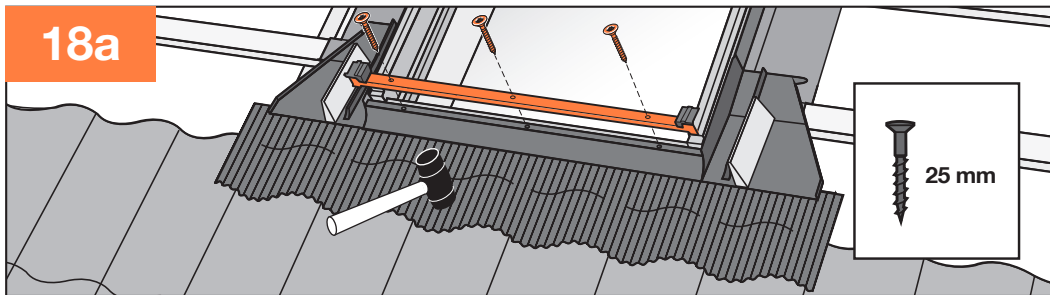


17b

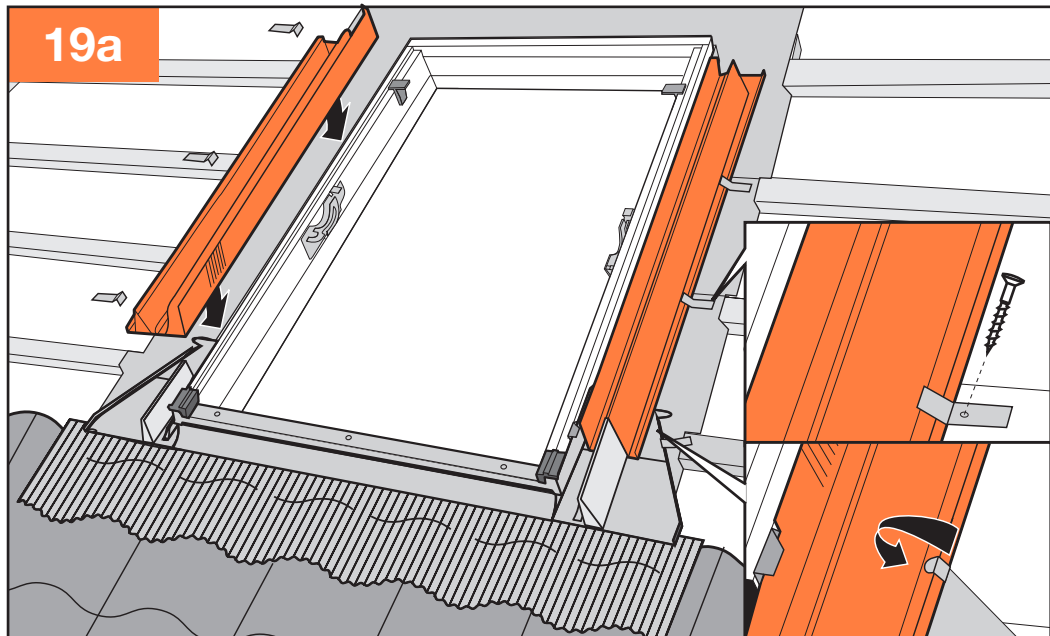
17a



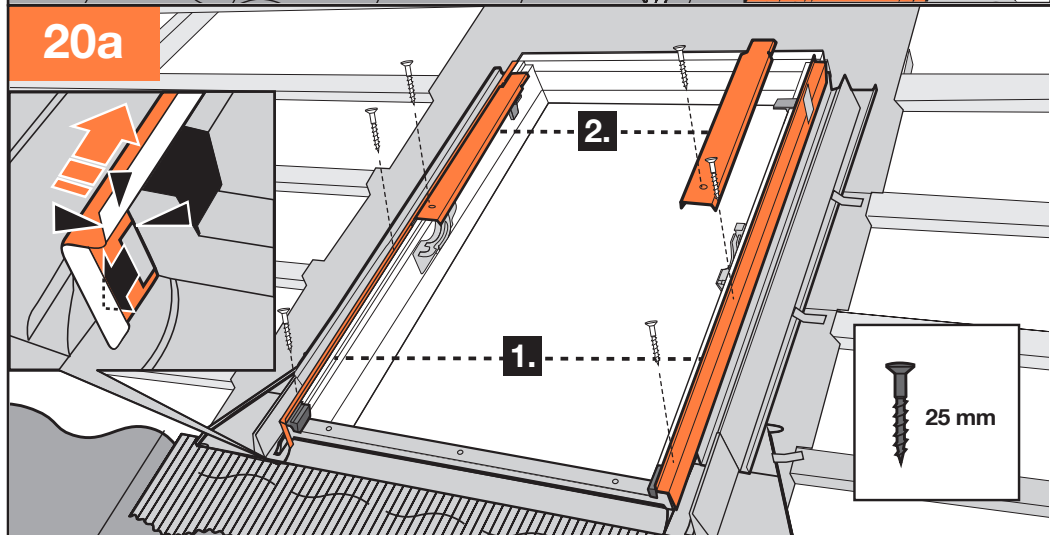
18a



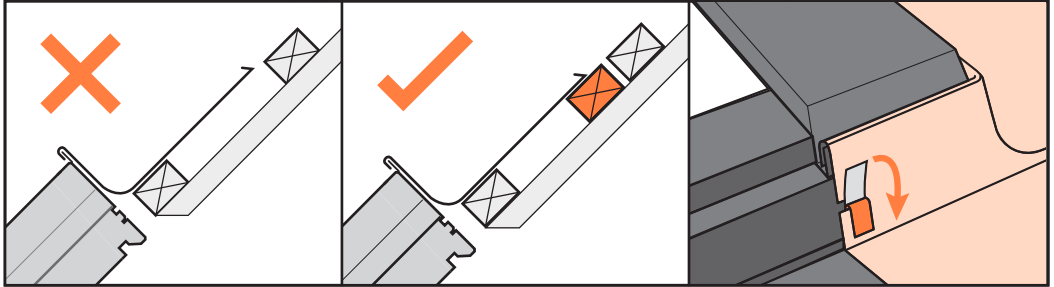
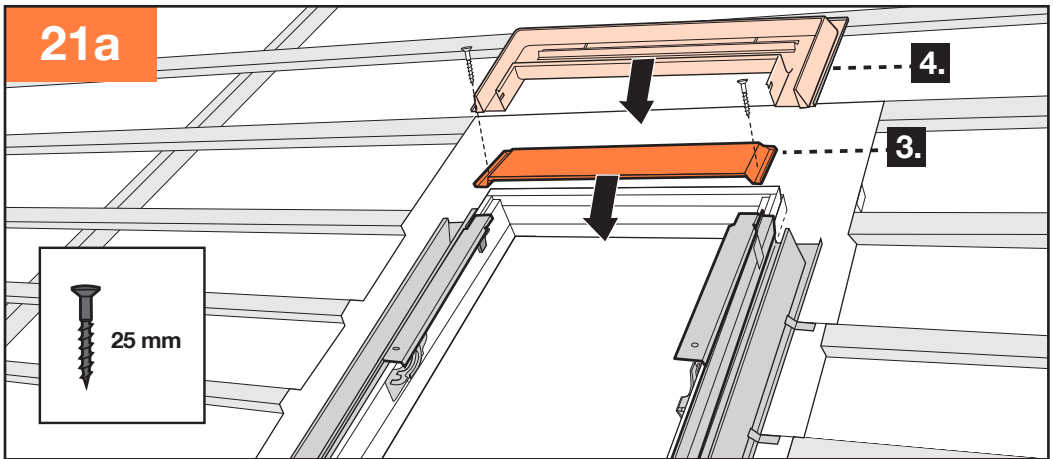
19a



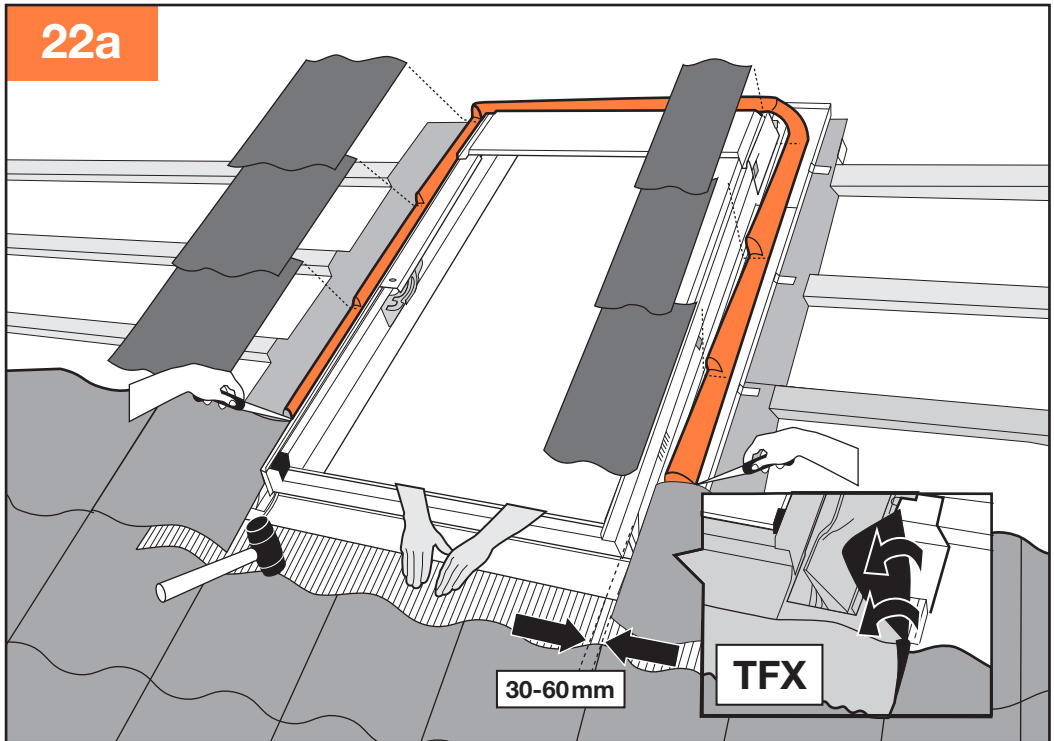
20a



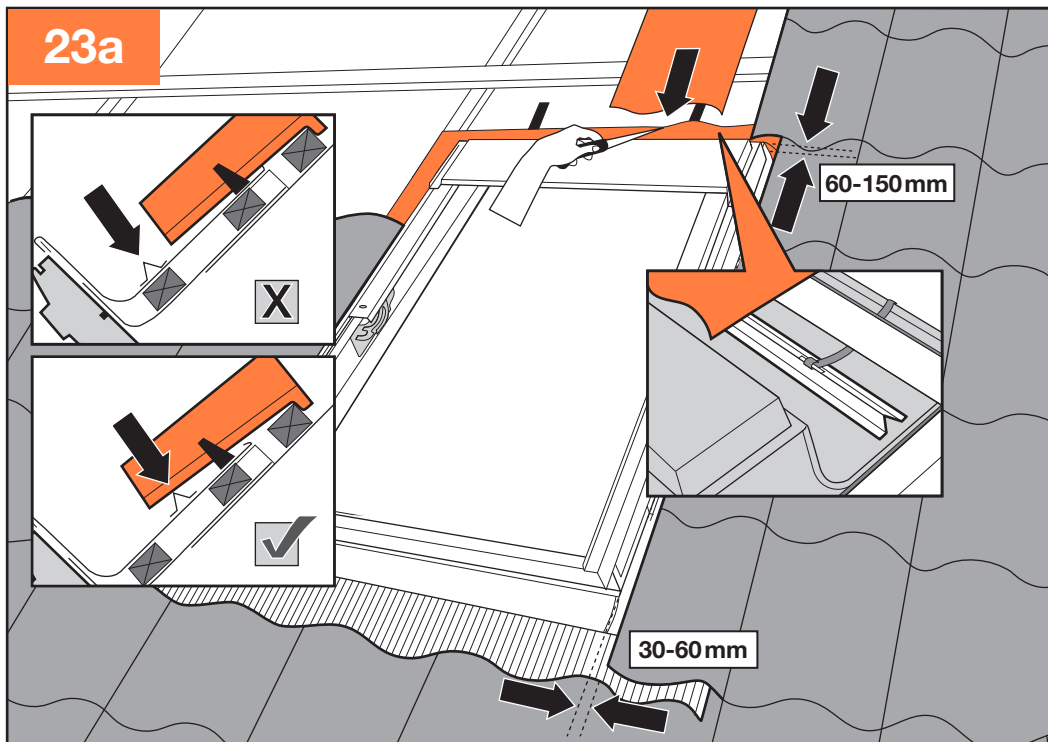
21a



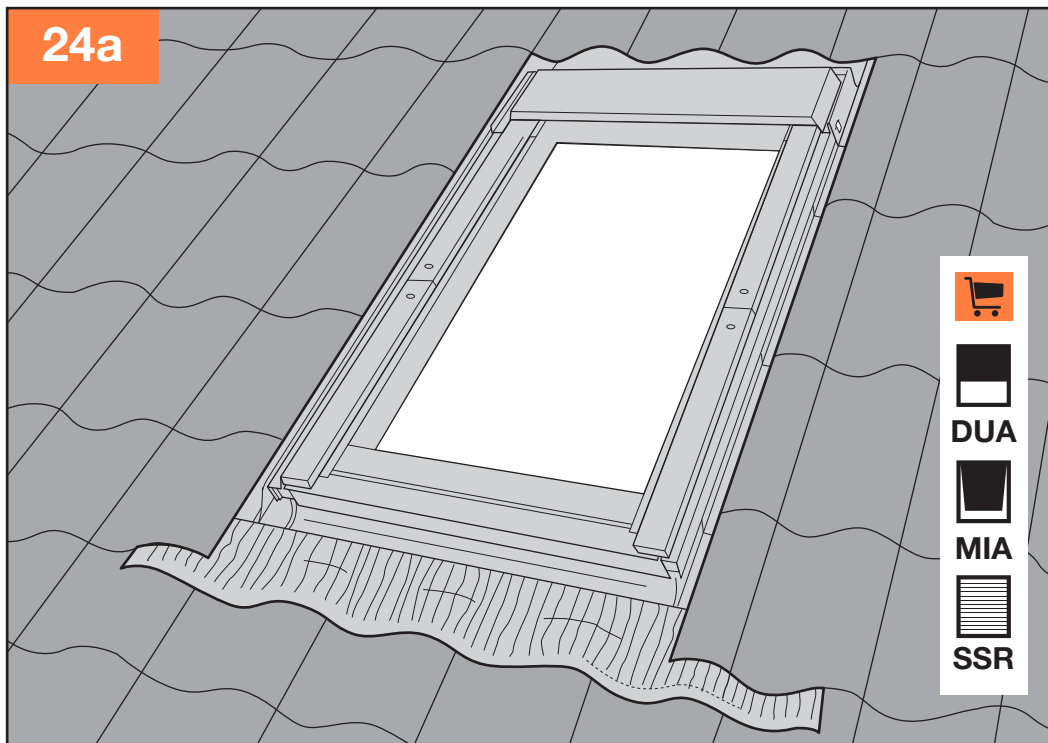
22a



23a



24a



17b



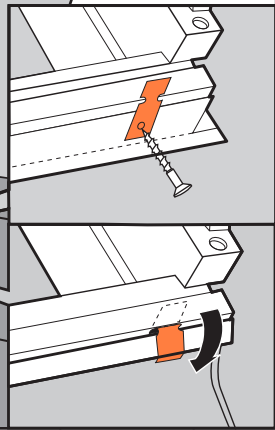
0-16 mm



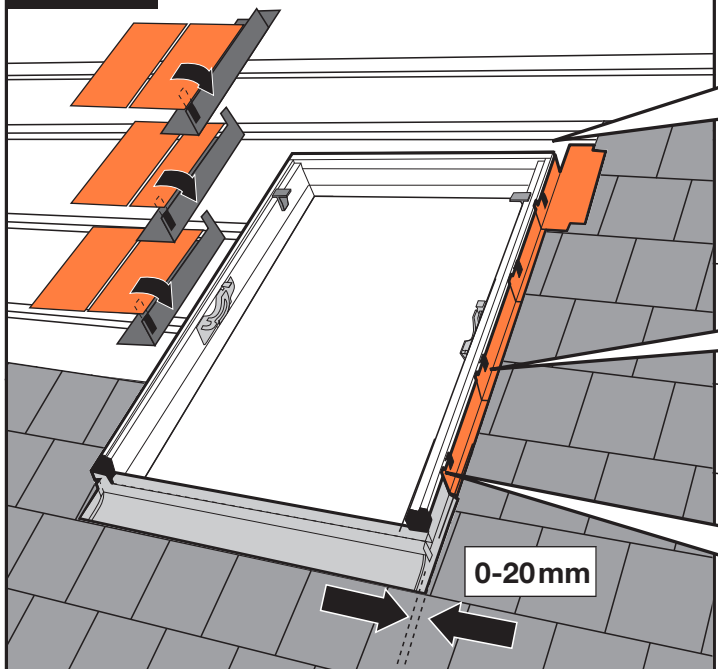
25 mm

2.

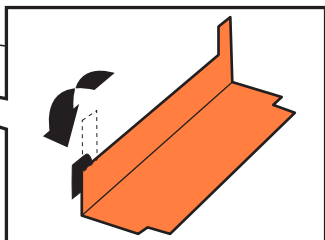
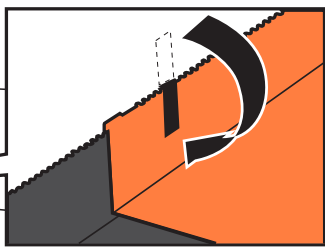
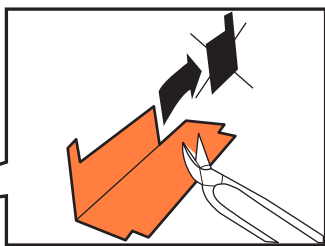
1.



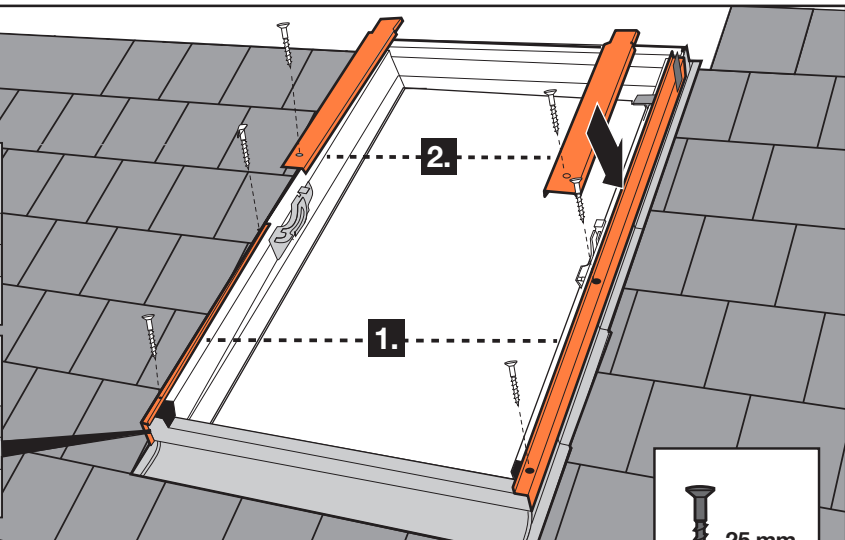
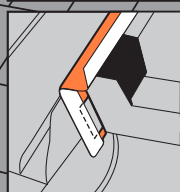
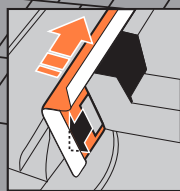
18b



0-20 mm



19b



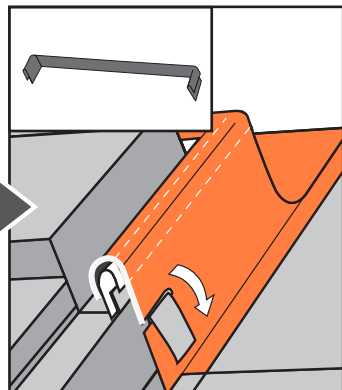
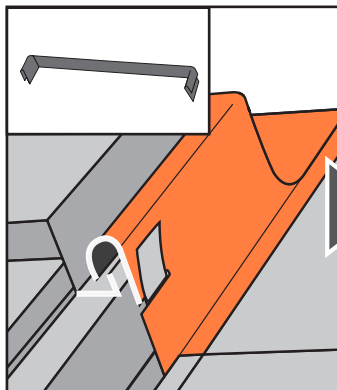
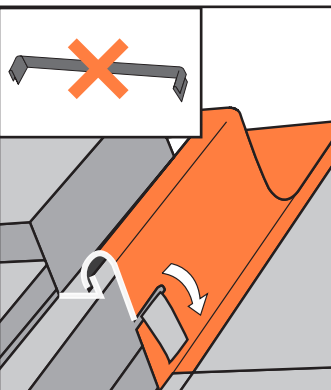
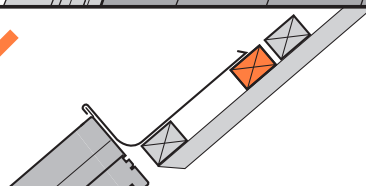
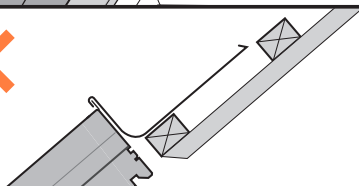
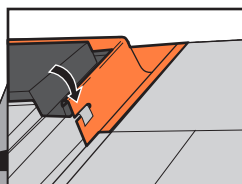
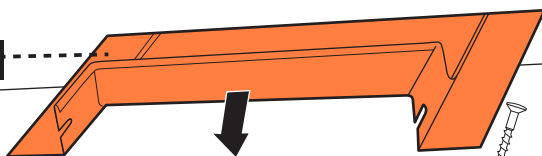
25 mm

20b

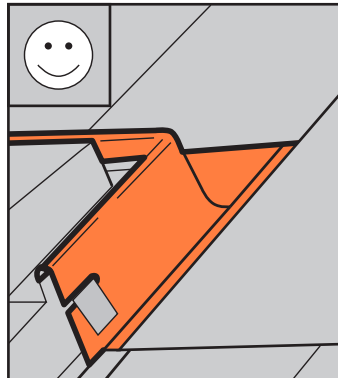
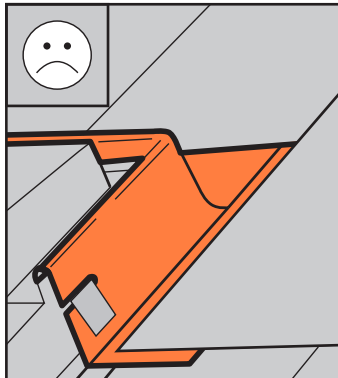
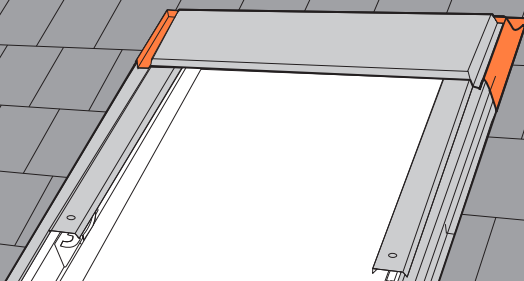
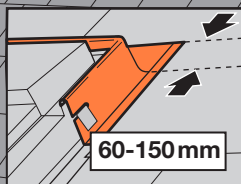
3.

2.

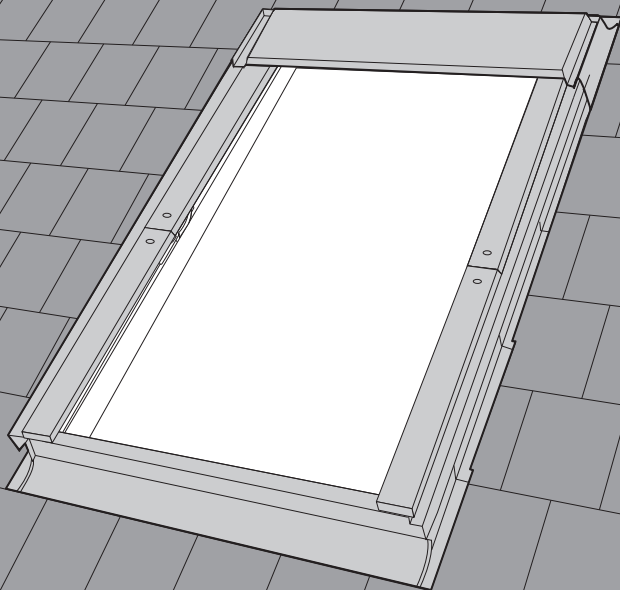
1.



21b



22b



DUA



MIA



SSR

