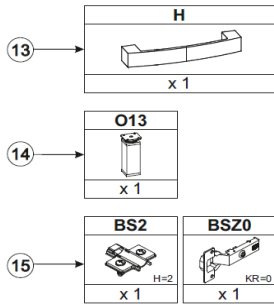
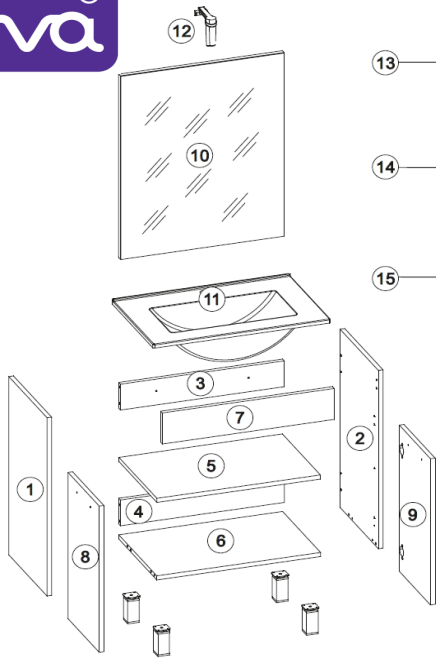


# SET SQUARE 60

(Art. Nr. 25376096)



16 →	<b>K1</b> M4x22 x 4	<b>N5</b> US3.5x16 x 16	
	<b>E1</b> x 8	<b>F1</b> x 8	<b>E0</b> x 8
	<b>N4</b> US3.5x13 x 4	<b>W8</b> x 2	
	<b>A1</b> 8x30 x 8	<b>D1</b> x 4	
	<b>R1</b> x 4	<b>R8</b> x 2	

