

Instrucciones de montaje

Assembly instructions



Te aconsejamos / We advise you

Ordena y cuenta las piezas y herrajes

Habilita una zona para el montaje

Utiliza la caja de embalaje desplegada como superficie de apoyo

No fuerces los tornillos y los elementos de montaje

Sigue paso a paso las instrucciones de montaje

Order and count the parts and fittings

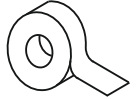
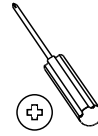
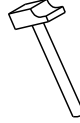
Enable an area for assembling.

Use the unfolded packaging box as a support surface

Do not force the screws or assembly parts

Follow the assembly instructions step by step

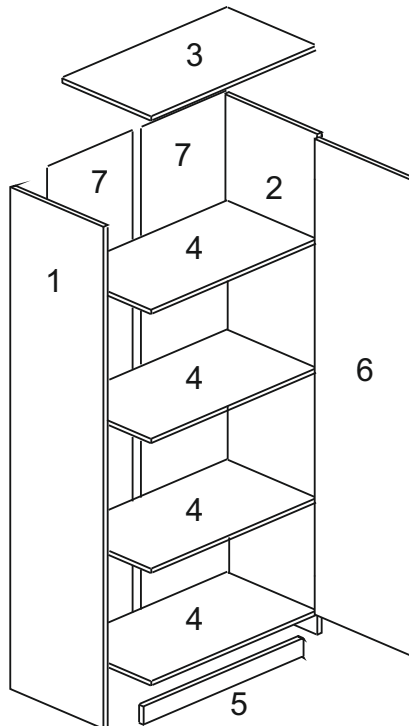
Herramientas necesarias Tools required



Cinta americana
Scotch tape

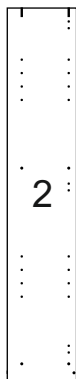
Herrajes incluidos / Fittings included

| | | | | | |
|---------------------------------|----------------------------------|---------------------------------|--------------------------------|---------------------------------|---------------------------------|
| <p>Bsr x 6</p> <p>Nº723020</p> | <p>Tac x 4</p> <p>Nº721045</p> | <p>Pem x 8</p> <p>Nº721036</p> | <p>Lz x 1</p> <p>Nº721034</p> | <p>Pun x 30</p> <p>Nº720006</p> | <p>Aut x 14</p> <p>Nº721002</p> |
| <p>Ticp x 2</p> <p>Nº722013</p> | <p>Tapb x 14</p> <p>Nº721038</p> | <p>Rei x 12</p> <p>Nº721020</p> | <p>Tir x 4</p> <p>Nº721007</p> | | |

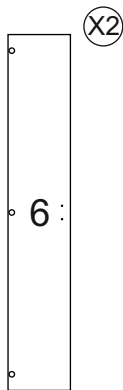




1774x330 mm
102115



1774x330 mm
102114



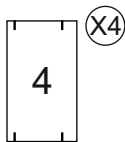
1700x298 mm
102240



1718x298 mm
9102275



602x350 mm
102231



568x329 mm
102220



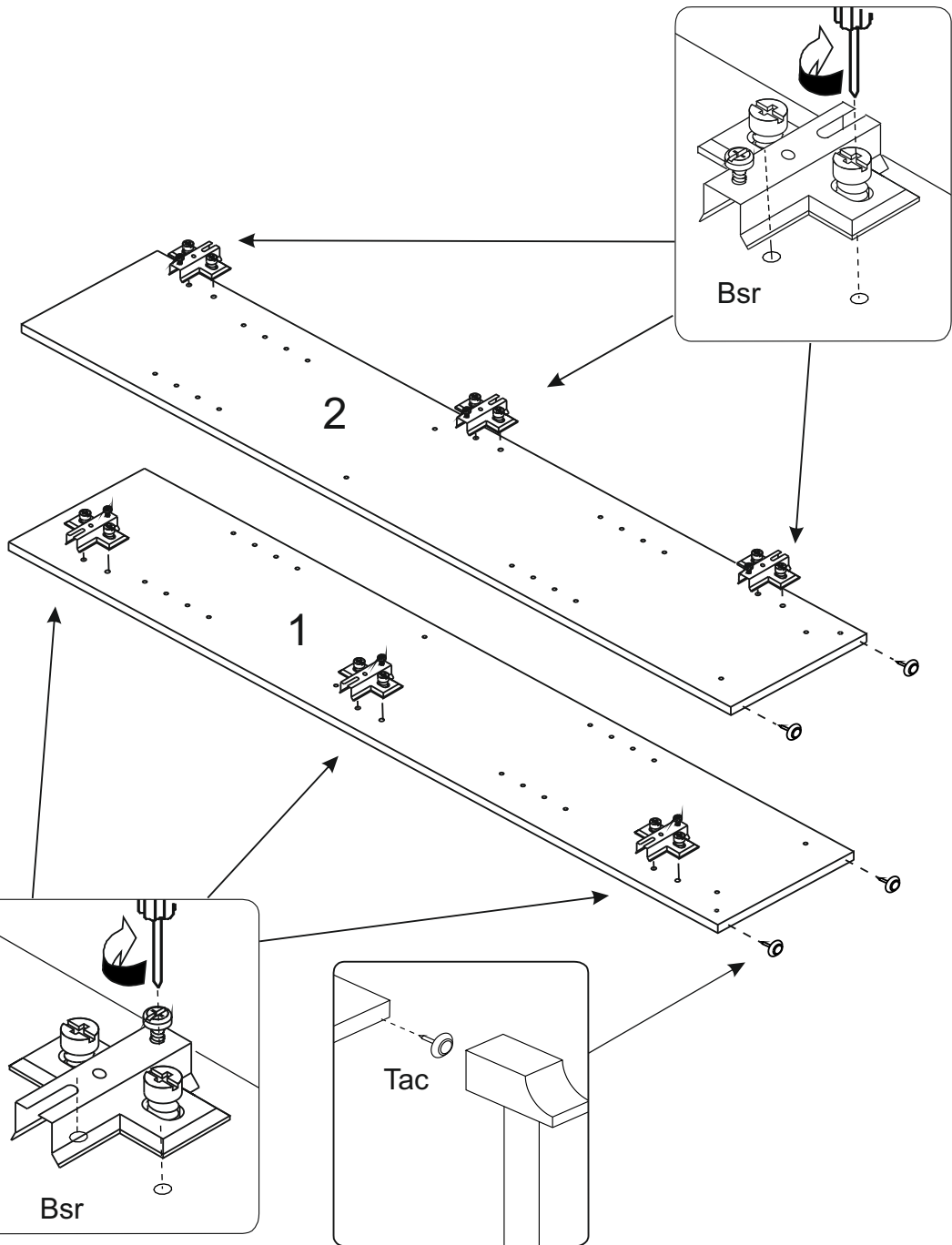
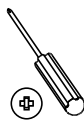
568x70 mm
102270

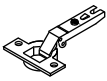
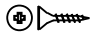
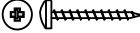
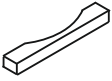
1

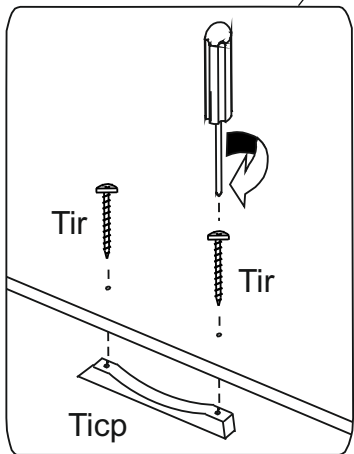
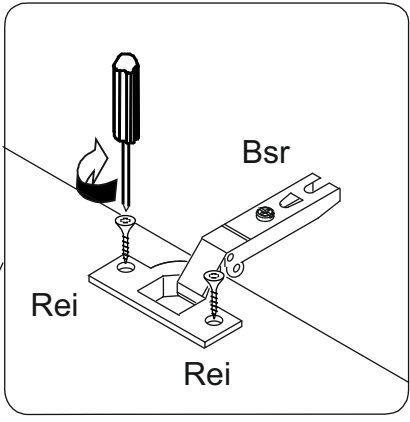
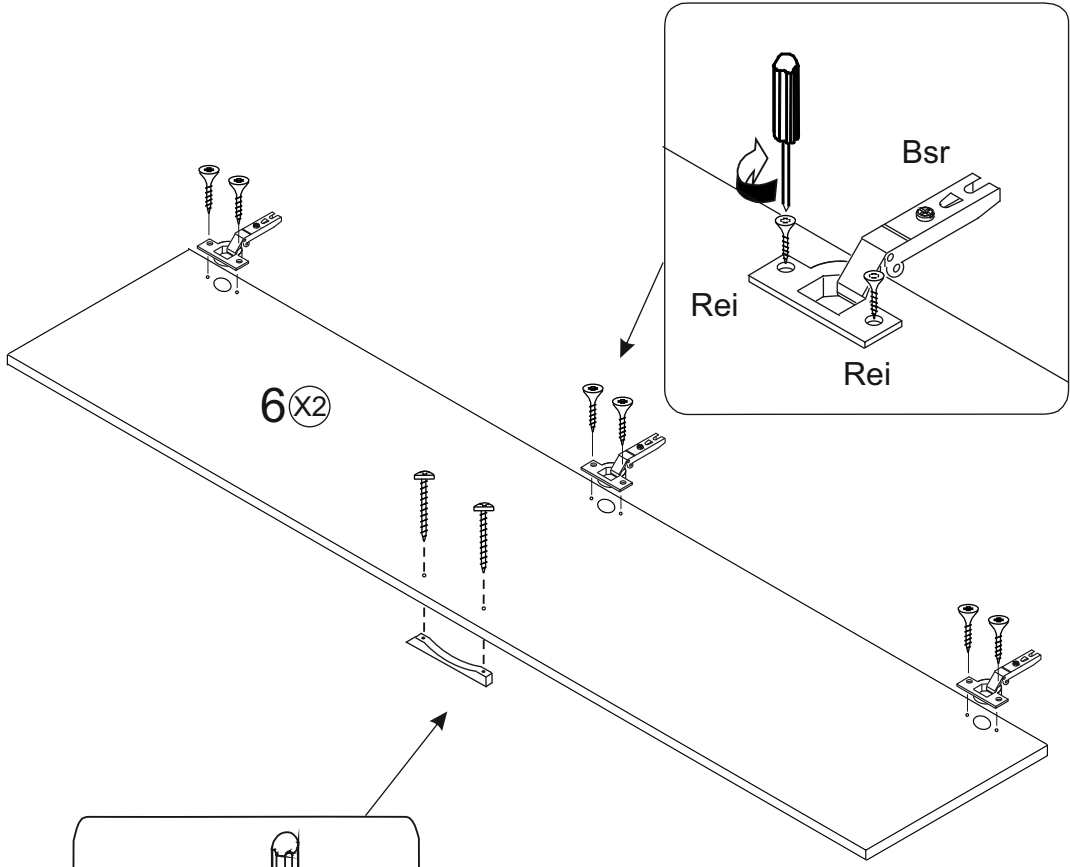
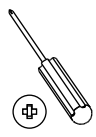
Bsr x 6



Tac x 4



| | | | |
|------------------------------------------------------------------------------------------------|--------------------------------------------------------------------------------------------------|-------------------------------------------------------------------------------------------------|--------------------------------------------------------------------------------------------------|
| <p>Bsr x 6</p>  | <p>Rei x 12</p>  | <p>Tir x 4</p>  | <p>Ticp x 2</p>  |
|------------------------------------------------------------------------------------------------|--------------------------------------------------------------------------------------------------|-------------------------------------------------------------------------------------------------|--------------------------------------------------------------------------------------------------|



2

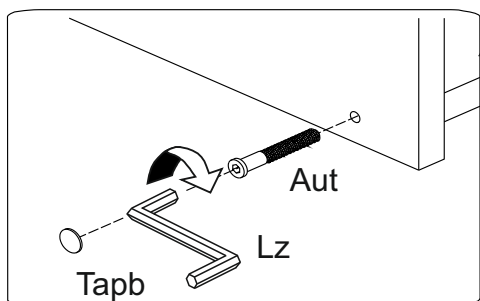
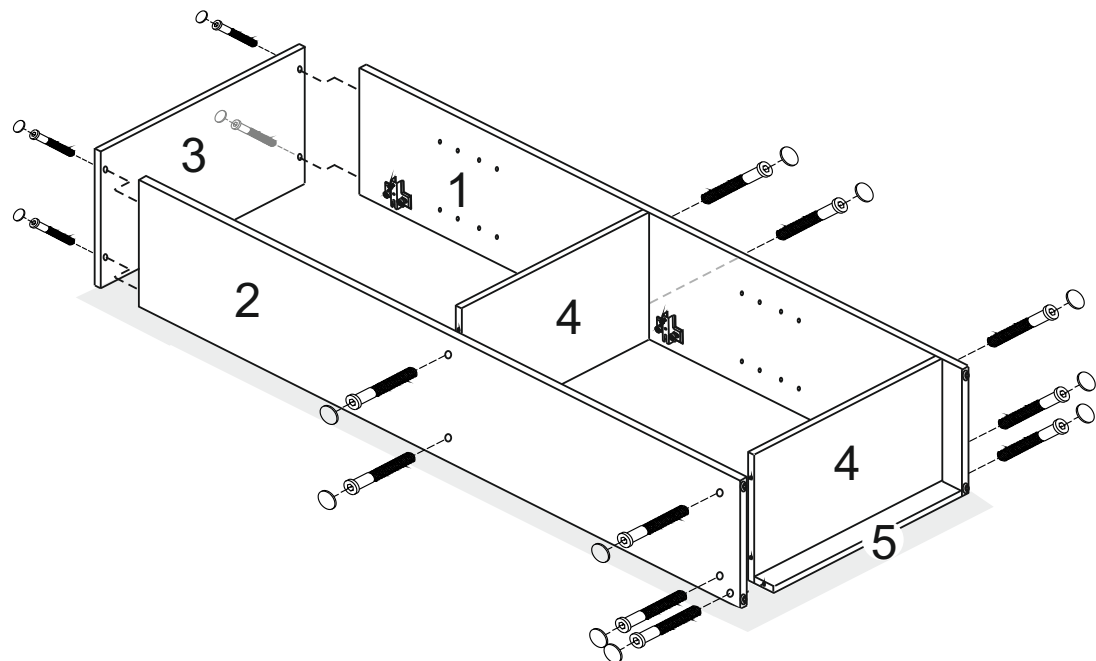
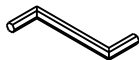
Aut x 14



Tapb x 14

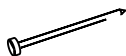


Lz x 1

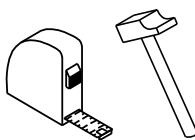


3

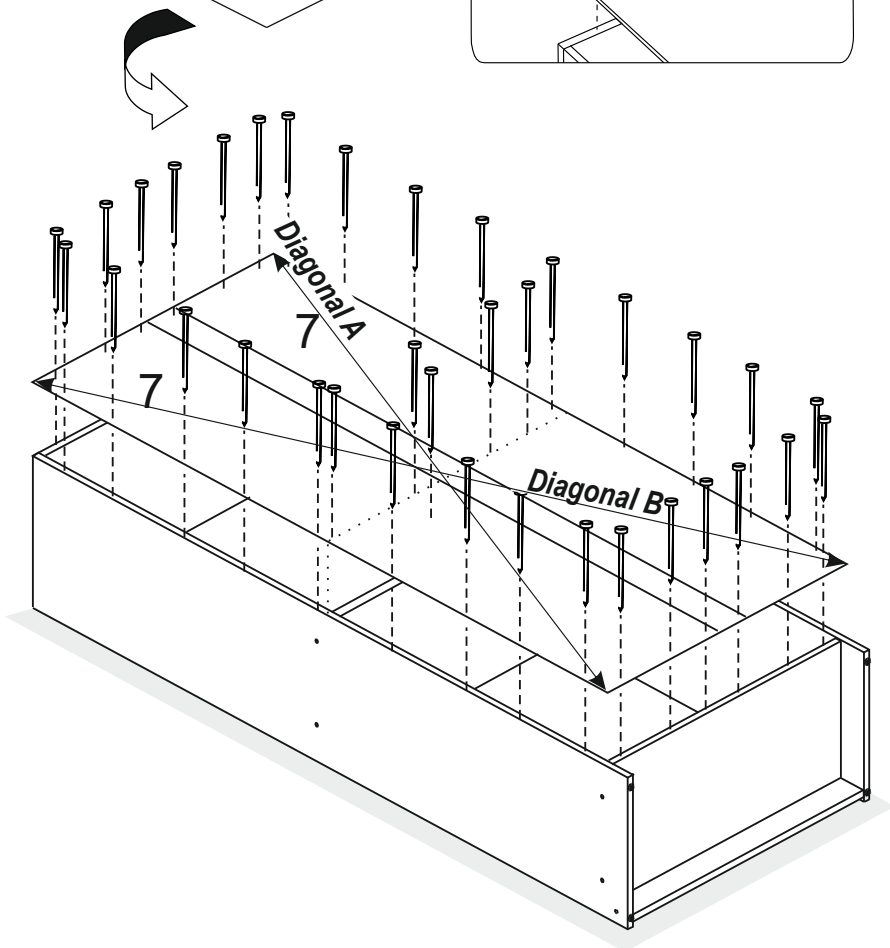
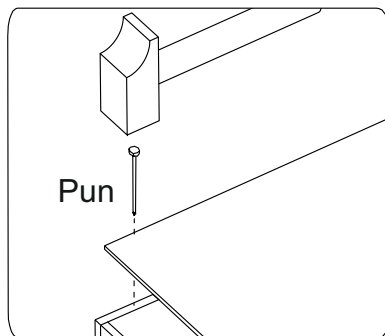
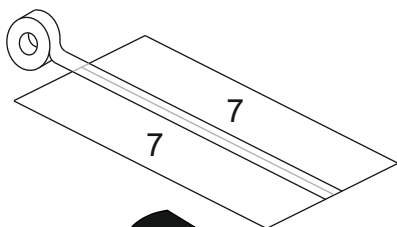
Pun x 30



Cinta americana
Scotch tape

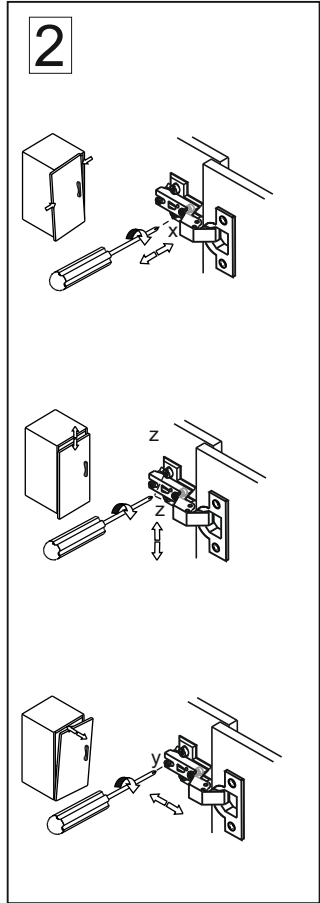
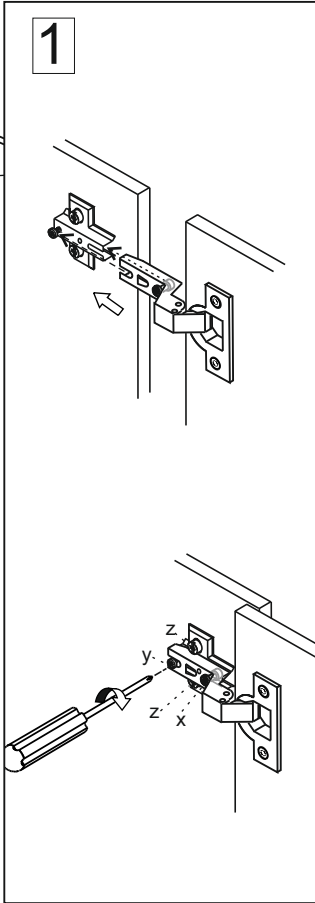
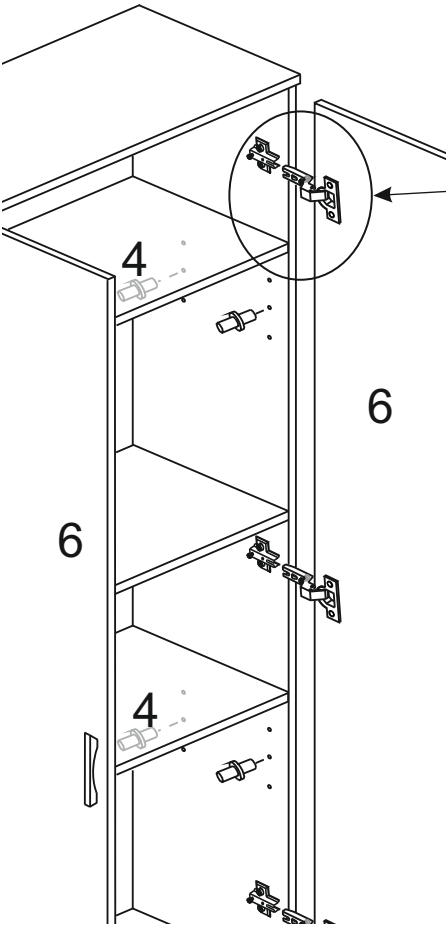
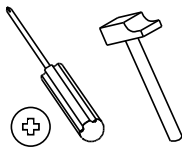
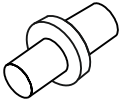


Diagonal A = Diagonal B



4

Pern x 8



CONDICIONES DE USO Y MANTENIMIENTO

Producto de uso doméstico.
Evitar colocar el mueble cerca de fuentes de calor, de humedad o de una fuerte luz solar.
No lo limpie con productos abrasivos, ni disolventes.
Quitar el polvo antes de limpiarlo.
Utilizar un paño húmedo, limpio y sin pelos.

CONDITIONS OF USE AND MAINTENANCE OF FURNITURE

Product for domestic use only.
Avoid placing the furniture near sources of heat, damp, or strong sunlight.
Do not clean with abrasive products or cleaning products with solvents.
Use a dust remover before any cleaning process.
It is recommended to use a damp, lint-free clean cloth.

ATENCIÓN AL CLIENTE
CUSTOMER SUPPORT

(+34)964 321 111

8am-1pm 3pm-5:30pm lunes a viernes
Monday to Friday

Web: www.mueblespitarch.com
e-mail: comercial@mueblespitarch.com

LOTE/BATCH NUMBER 5091