


Technische Daten

Produktbezeichnung		Gasgrill				 DE/AT/CH 2575
Modellnummer		Cliff 350 (K103BEA1)				
Gaskategorie		I3+(28-30/37)		I3B/P(30)	I3B/P(37)	I3B/P(50)
Gas-Typ / Gas-Druck		Butan (G30)	Propan (G31)	Butan/Propan		
		28-30 mbar	37 mbar	30 mbar	37 mbar	50 mbar
Bestimmungsland		I3+(28-30/37): BE, CH, CY, CZ, ES, FR, GB, GR, IE, IT, LT, LU, LV, PT, SK, SI I3B/P(30): CY, DK, EE, FI, HU, LT, NL, NO, SE, SI, SK, RO, HR, TR, BG, LU, MT I3B/P(50): AT, CH, DE, SK I3B/P(37): PL				
Größe der Einspritzdüse Hauptbrenner		Ø 0.9 mm	Ø 0.9 mm	Ø 0.9 mm	Ø 0.86 mm	Ø 0.81 mm
Größe der Einspritzdüse Seitenbrenner		Ø 0.88 mm	Ø 0.88 mm	Ø 0.88 mm	Ø 0.79 mm	Ø 0.75 mm
Gesamtleistung:		13,5 kW / 974 (g/h)				
Stromversorgung (V / DC)		4 x 1.5 V LED Lampe				
Seriennummer		Zu finden auf der rechten Seite des Feuerkastens				
Nur im Freien verwenden						
Lesen Sie vor Gebrauch die Bedienungsanleitung						
Warnung: Teile des Grills können sehr heiß werden. Halten Sie Kinder von dem Gerät fern. Hergestellt in China.						

Wir empfehlen die Verwendung einer 5 kg Gasflasche.

Bei Maximaler Leistung ist eine Betriebsdauer von etwa 5 Stunden zu erwarten.

11 kg Flaschen sind während des Betriebs außerhalb des Grillschranks aufrecht und gegen Umfallen gesichert auf ebenem Grund aufzustellen.

Es darf kein starker Wind durch die Öffnungen an der Rückseite des Grillgerätes eindringen!

No.	Appellation	Qty	No.	Appellation	Qty
1	Lid	1	22	Rear side low panel	1
2	Lid handle	1	23	Bottom panel assembly	1
3	Thermometer	1	24	Swivel caster	4
4	Warming rack	1	25	Cart door assembly	2
5	Interchangeable cast iron grid (450 x 395 mm)	1	26	Side burner nozzle base	1
6	Heat distribution panel	7	27	Side burner cover	1
7	Firebox assembly	1	28	Side burner cooking grid	1
8	Main burner tube assembly	3	29	Side burner assembly	1
9	Right side table	1	30	Side burner insert tray	1
10	Side burner layer	1	31	Cart attachment bracket	4
11	Reinforce bar	4	32	Gas-jar bracket	2
12	Control panel assembly	1	33	Bottle opener bracing sheet	1
13	Battery box	1	34	Bottle opener	1
14	Control knob	4	35	Pizza stone (Ø 305 mm)	1
15	Grease tray	1	36	Support rack	1
16	Grease cup assembly	1	37	Interchangeable round grid (Ø 305 mm)	1
17	Cart front beam	1	38	Cast iron grid (450 x 195 mm)	1
18	Door magnet	1	39	Gas line to the main distribution pipe	1
19	Leg-B	2	40	Gas connector fixing bracket	1
20	Leg-A	2	41	Grease cup rack	1
21	Side low panel	2			

Make sure your grill is assembled properly. Detailed assembly instructions are packed with each grill giving specific assembly procedures for each model. Follow these instructions carefully to ensure the correct and safe assembly of the grill.

Caution: Although we take every effort to ensure that the assembly process is as easy as possible, it is inherent with fabricated steel parts that corners and edged can cause cuts if improperly handled during assembly procedures. Be careful while handling any parts during assembly. It is strongly recommended that you protect hands with a pair of work gloves.



Technical data

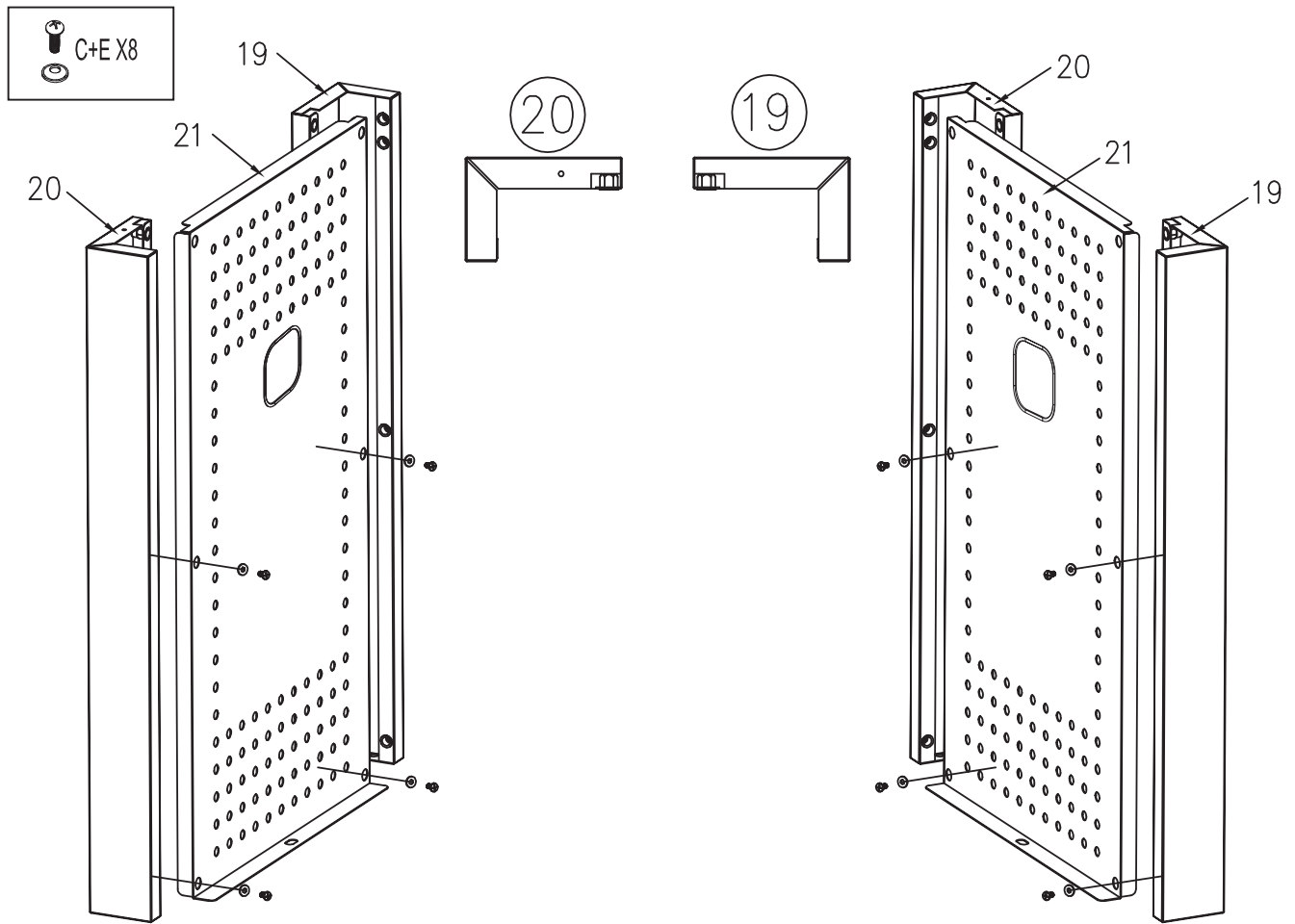
		CE 2575 ^{EN}			
Product name	Outdoor gas grill				
Model number	Cliff 350 (K103BEA1)				
Gas category	I3+(28-30/37)	I3B/P(30)	I3B/P(37)	I3B/P(50)	
Gas and supply pressure	Butane (G30)	Propane (G31)	Butane/Propane		
	28-30 mbar	37 mbar	30 mbar	37 mbar	50 mbar
Country of destination	I3+(28-30/37): BE, CH, CY, CZ, ES, FR, GB, GR, IE, IT, LT, LU, LV, PT, SK, SI I3B/P(30): CY, DK, EE, FI, HU, LT, NL, NO, SE, SI, SK, RO, HR, TR, BG, LU, MT I3B/P(50): AT, CH, DE, SK I3B/P(37): PL				
Main burner injector size	Ø 0.9 mm	Ø 0.9 mm	Ø 0.9 mm	Ø 0.86 mm	Ø 0.81 mm
Side burner injector size	Ø 0.88 mm	Ø 0.88 mm	Ø 0.88 mm	Ø 0.79 mm	Ø 0.75 mm
Total output:	13,5 kW / 974 (g/h)				
Electric energy (V / DC)	4 x 1.5 V LED lamp				
Serial number	Can be found on the right side of the fire box				
Use outdoors only					
Read the instructions before using the appliance.					
Warning : Accessible parts may be very hot. Keep young children away. Made in China					

The gas cylinder is recommend to 5 kg LPG gas bottle, it is sufficient for a heating period of approx. 5 hours with full power.

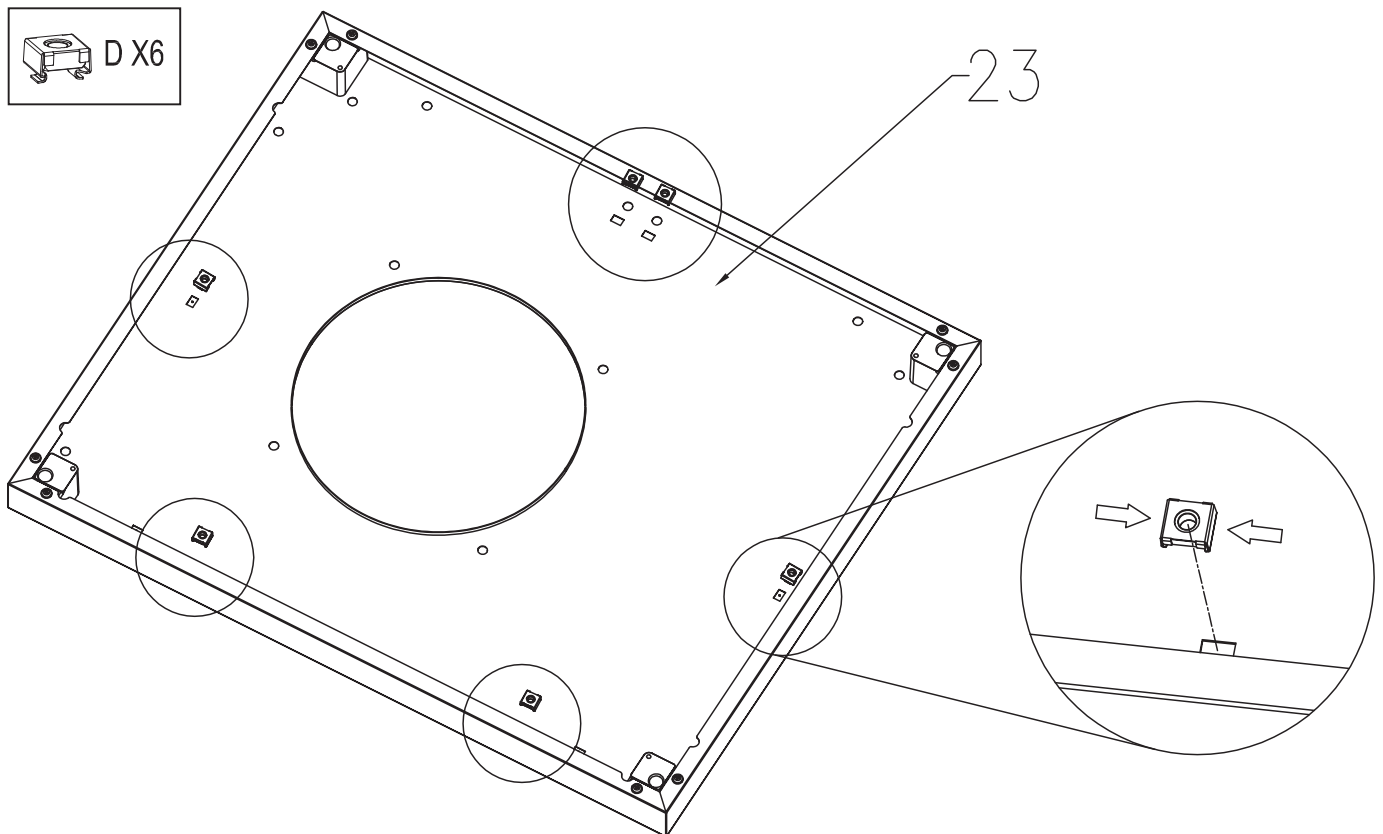
Only to be used with a gas cylinder that does not exceed 500 mm in height and >240 mm <310 mm in diameter. Whilst operating the gas grill with a 11 kg gas cylinder, it's required to store the gas cylinder outside of the gas grill cabinet. The gas cylinder must always be kept in upright position on a flat surface and must be protected of tipping over.

Strong wind is not allowed to blow through the back of the gas grill.

1.

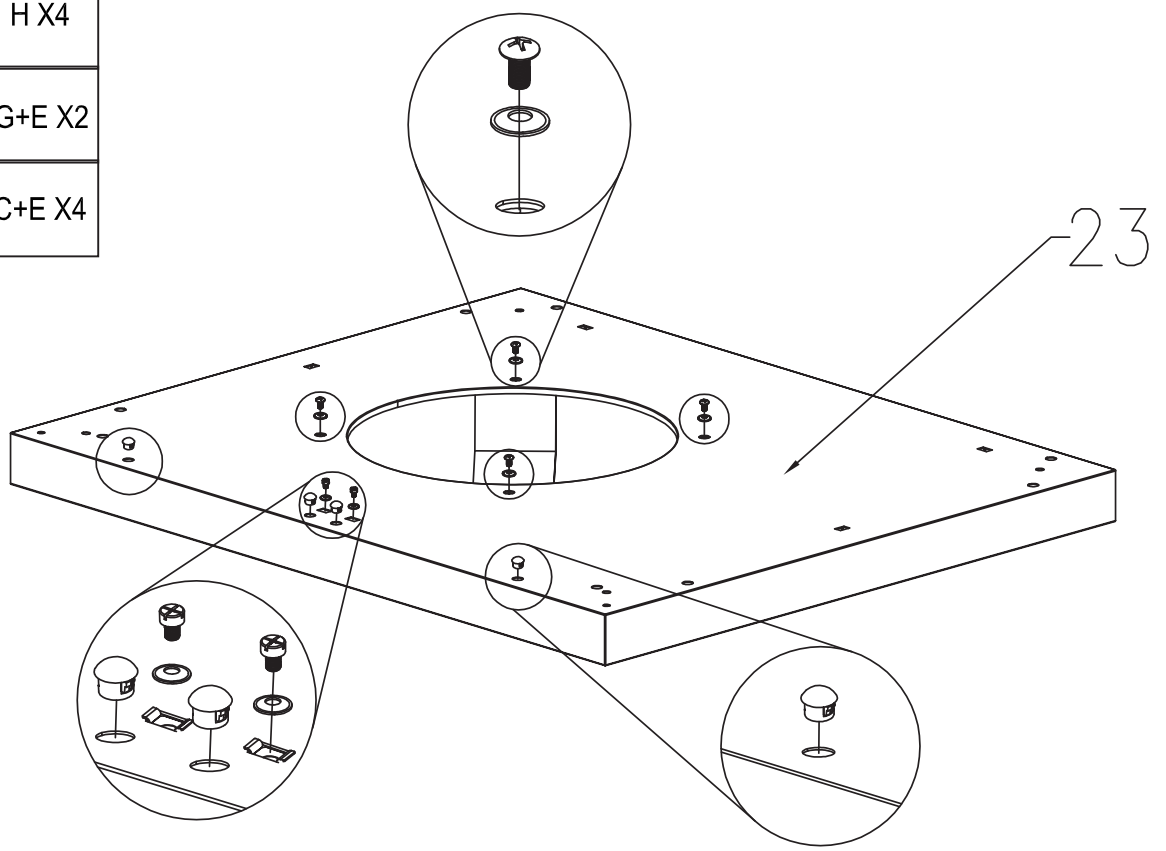


2.



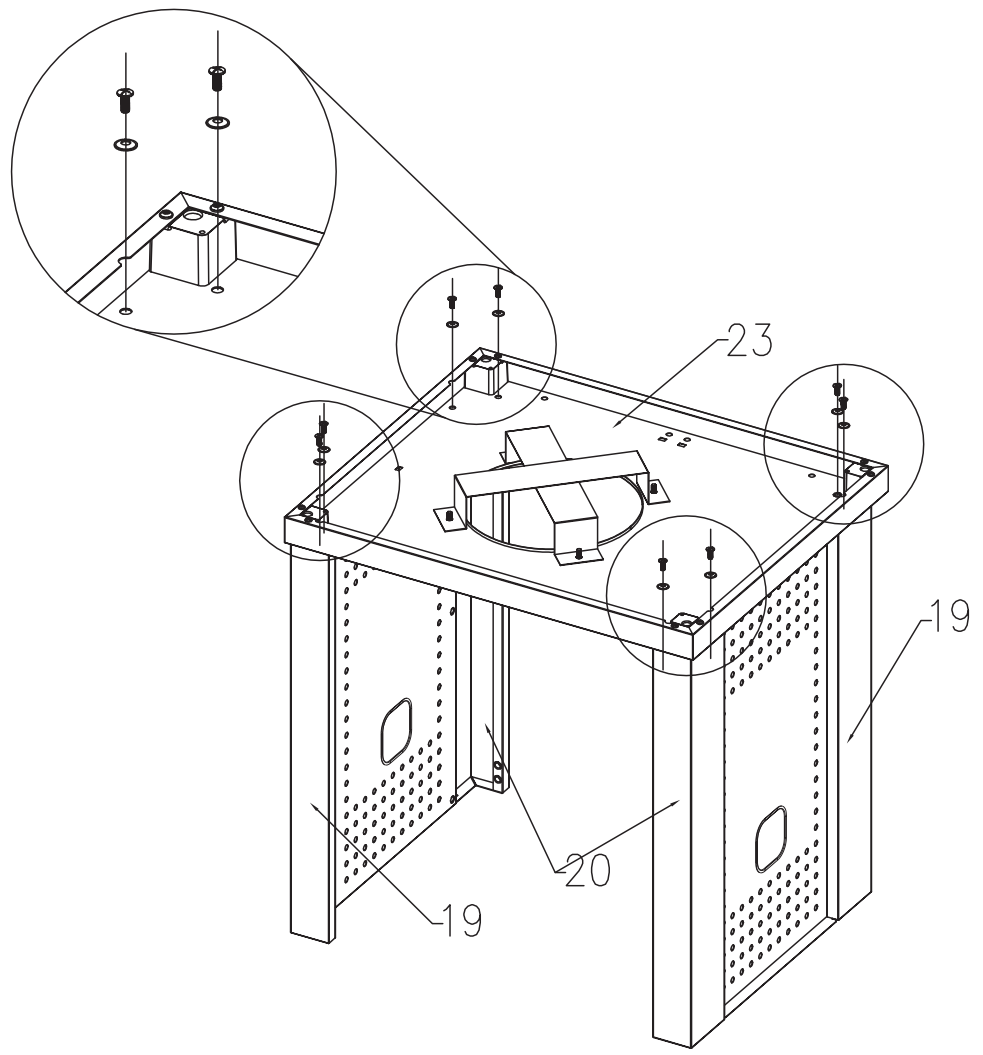
3.

- H X4
- G+E X2
- C+E X4

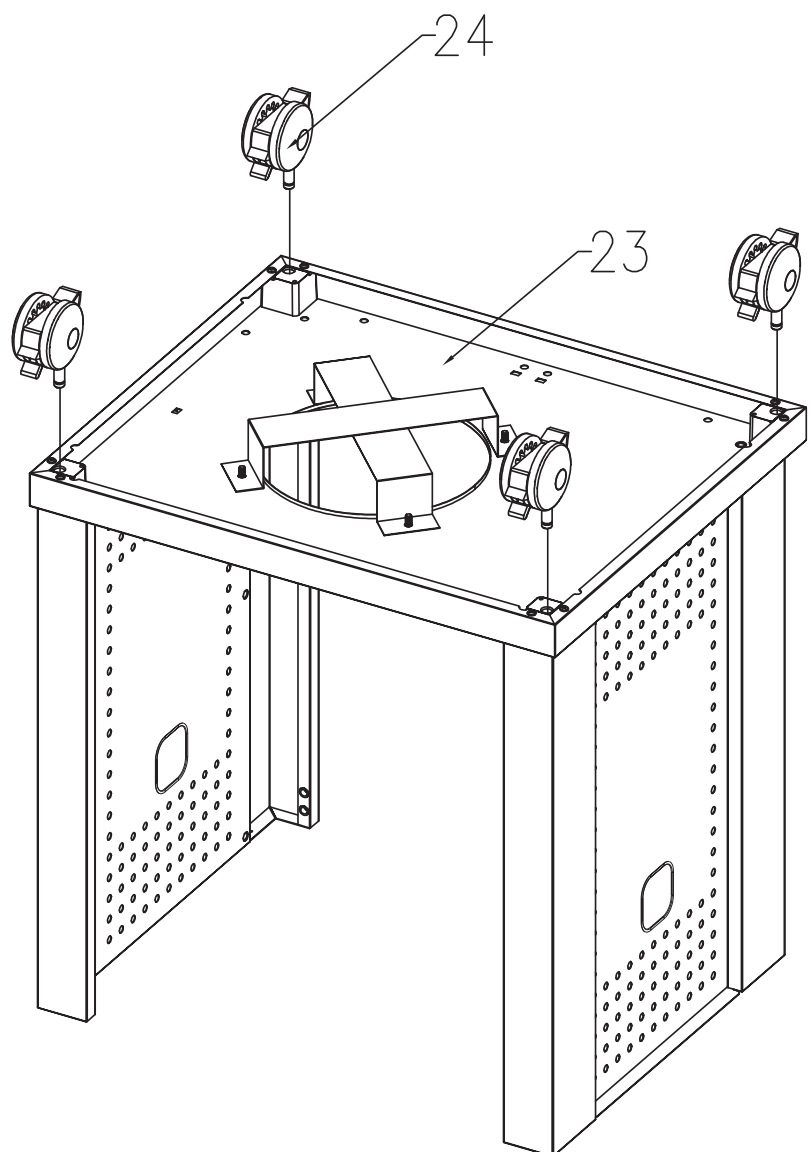


4.

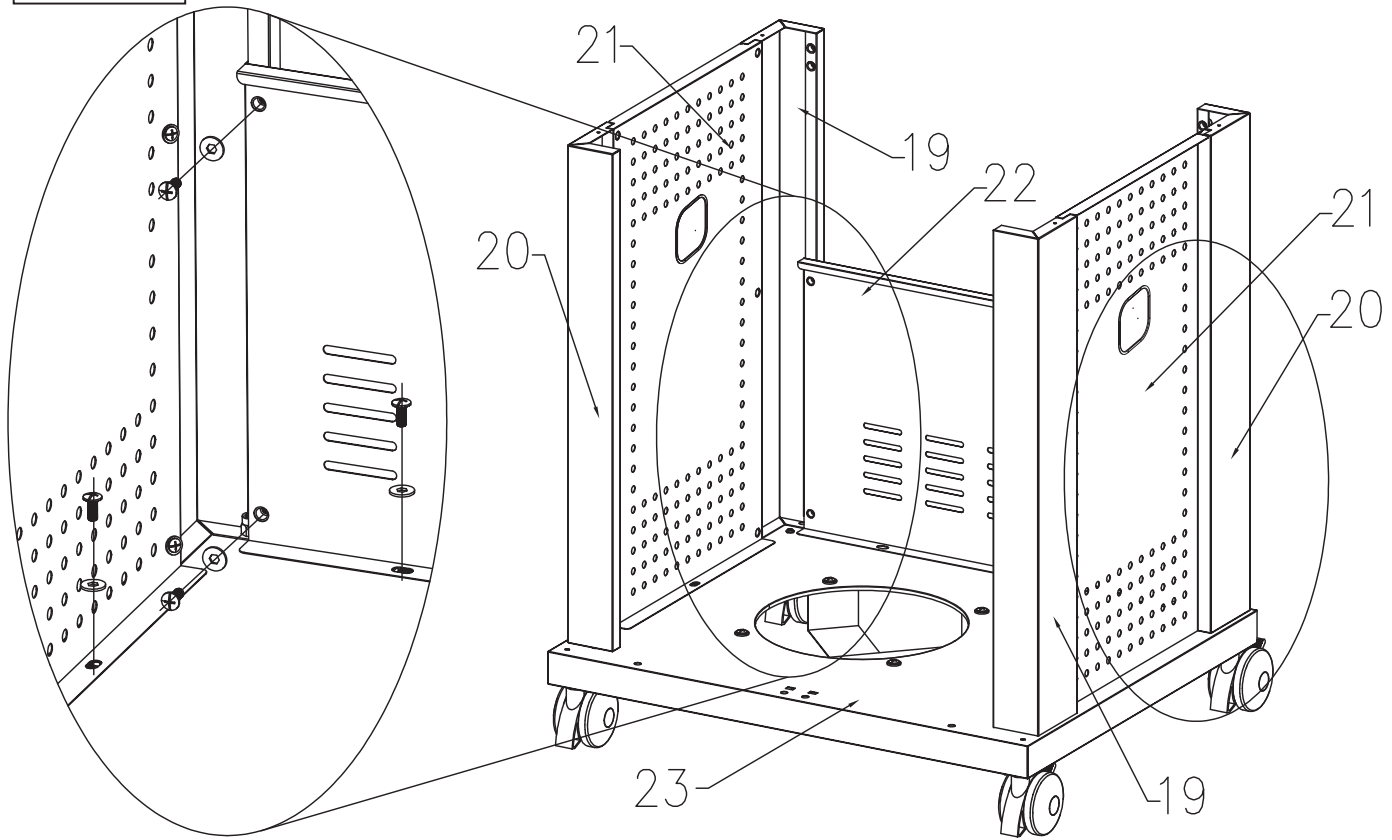
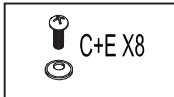
- C+E X8



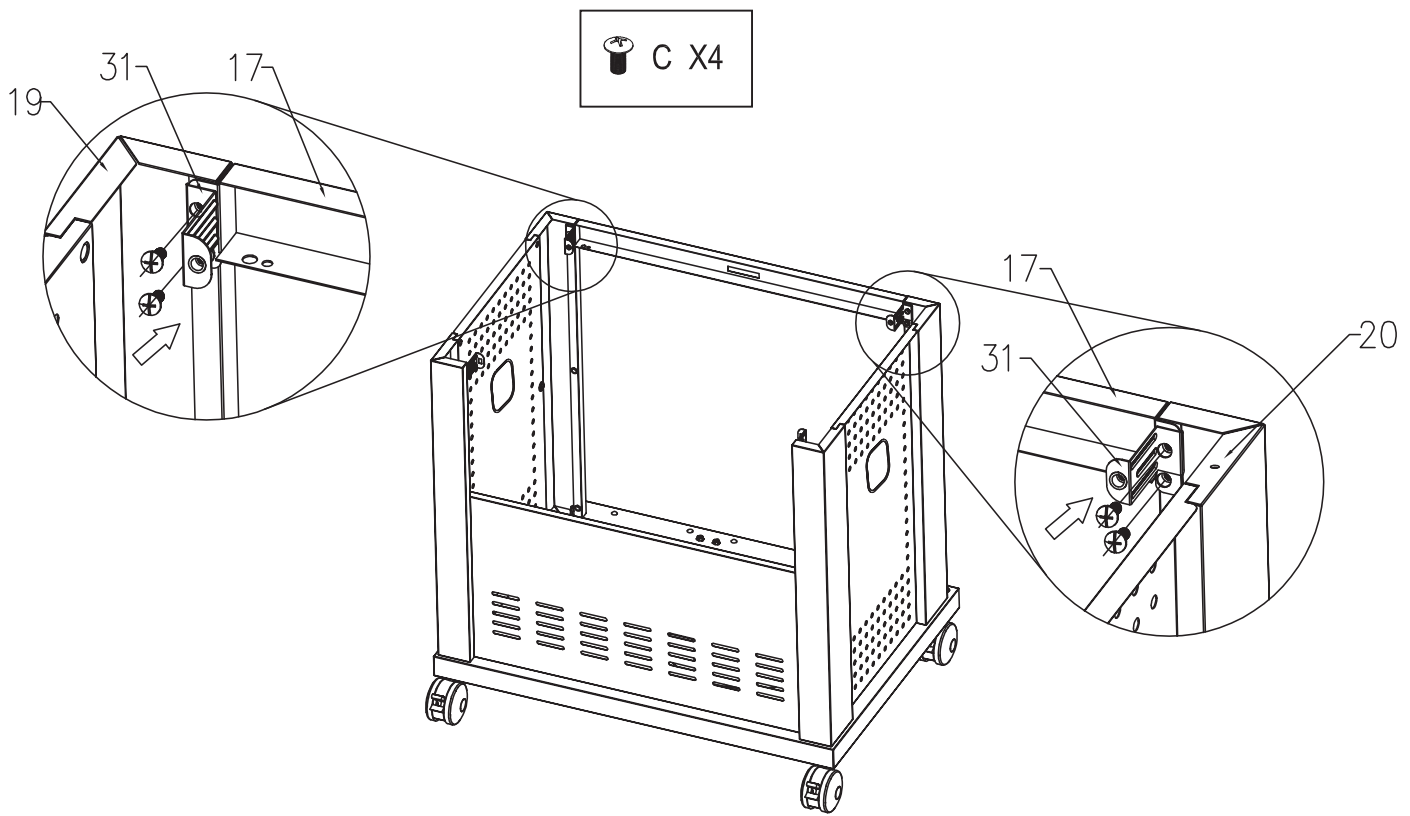
5.



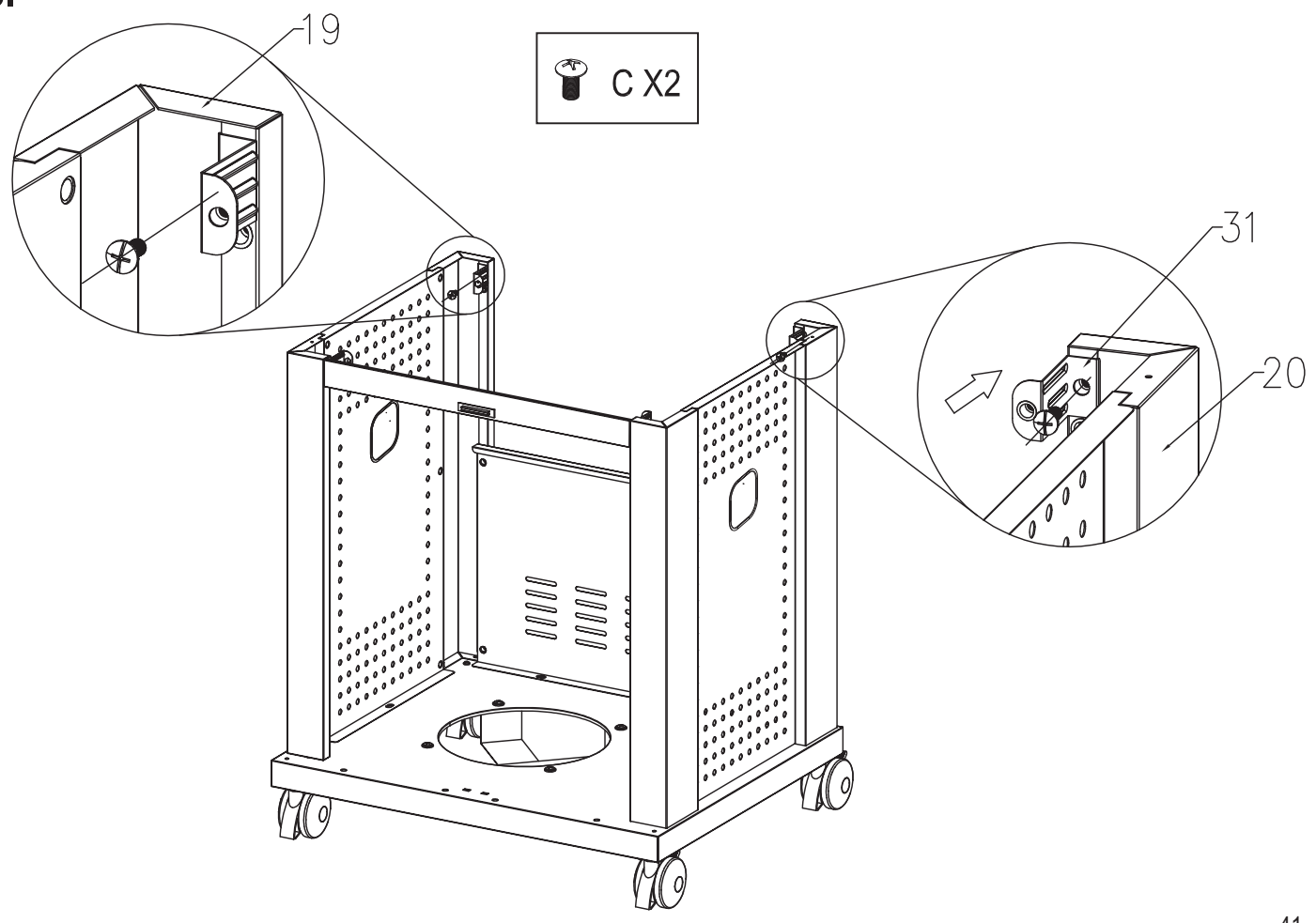
6.



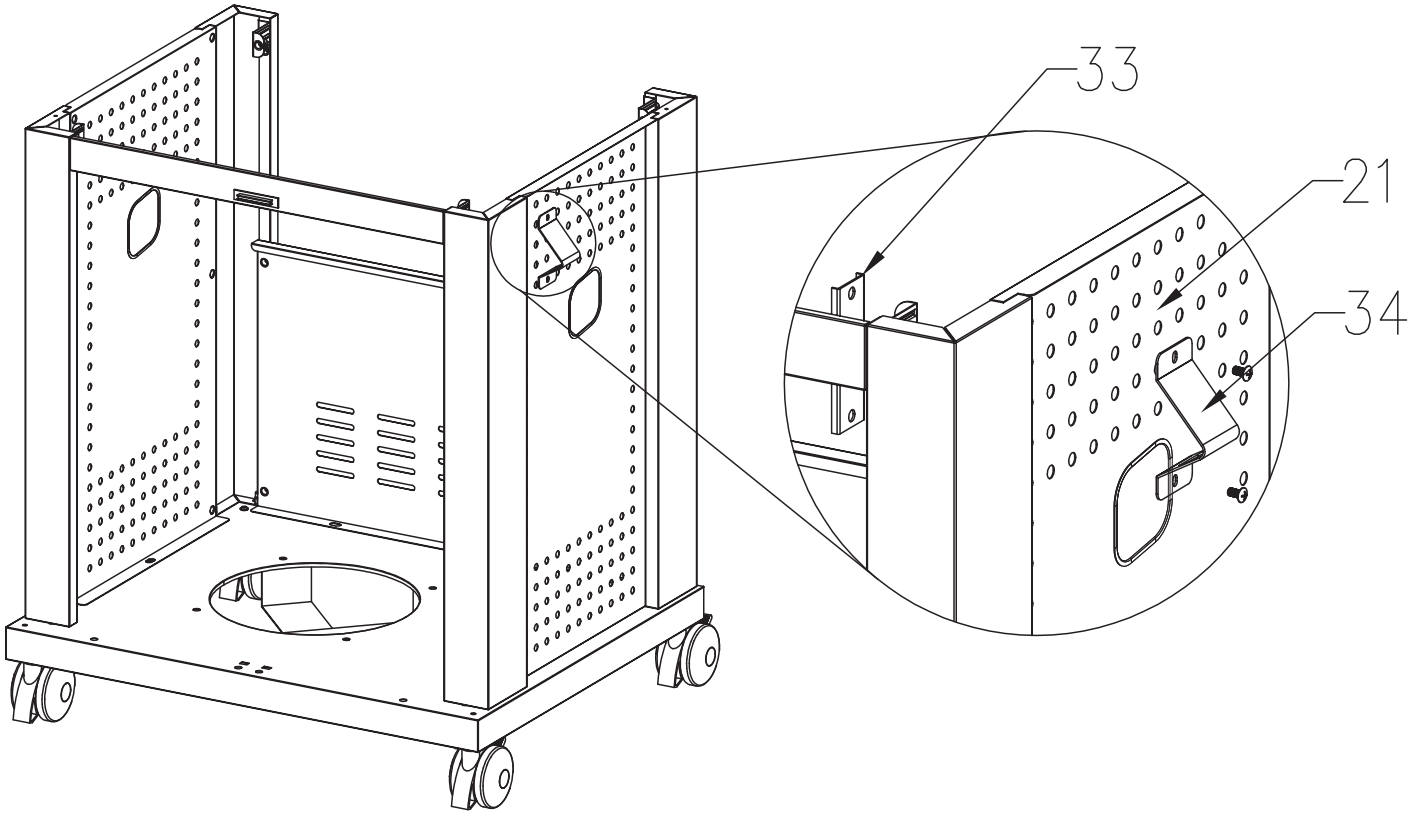
7.



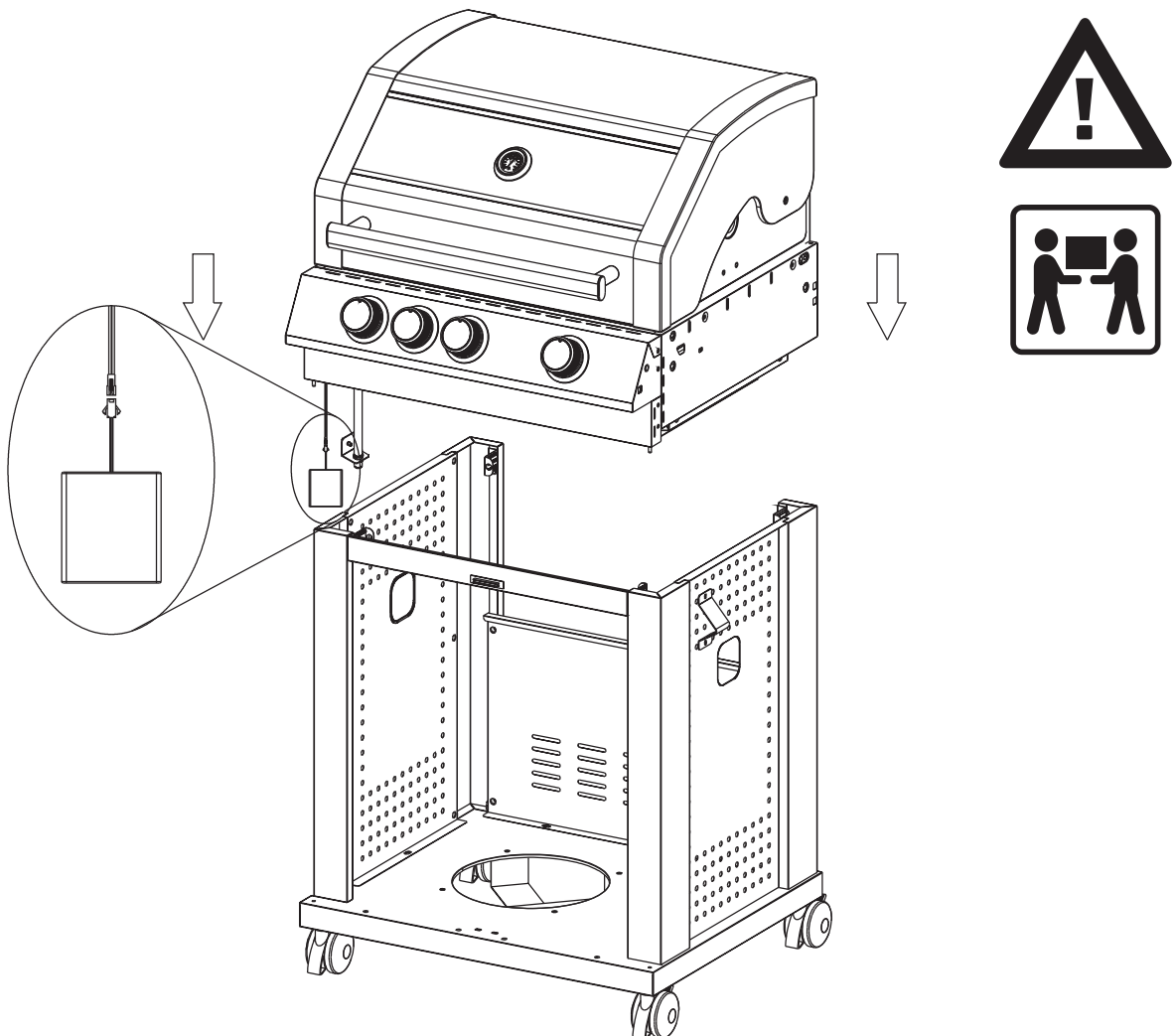
8.



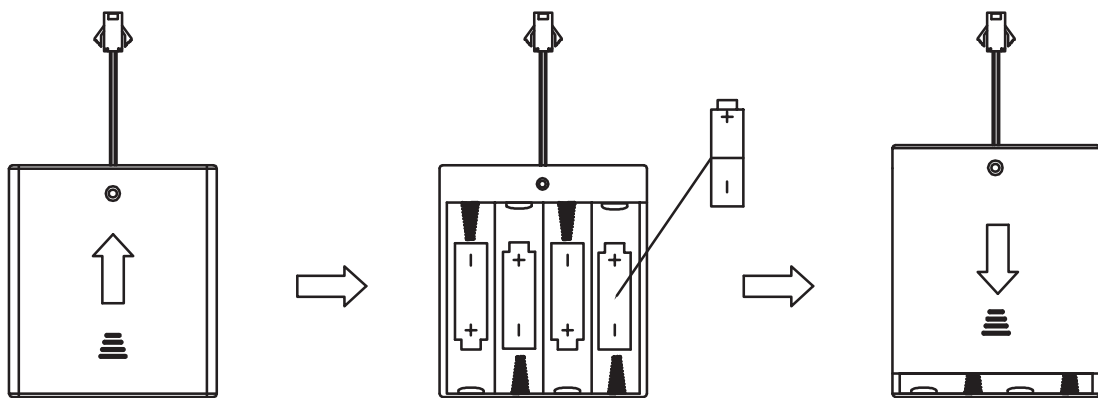
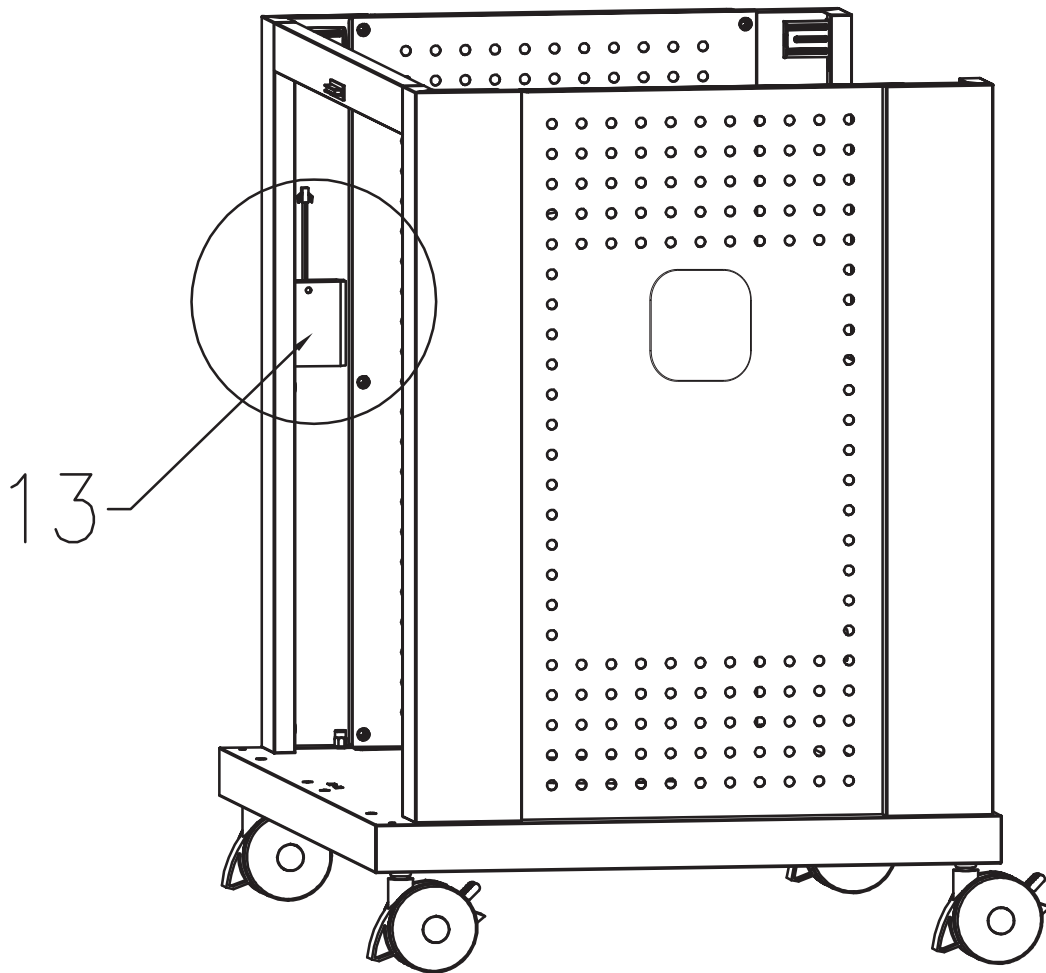
9.



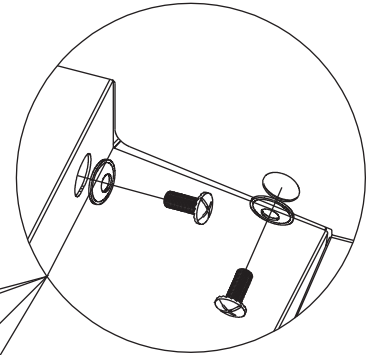
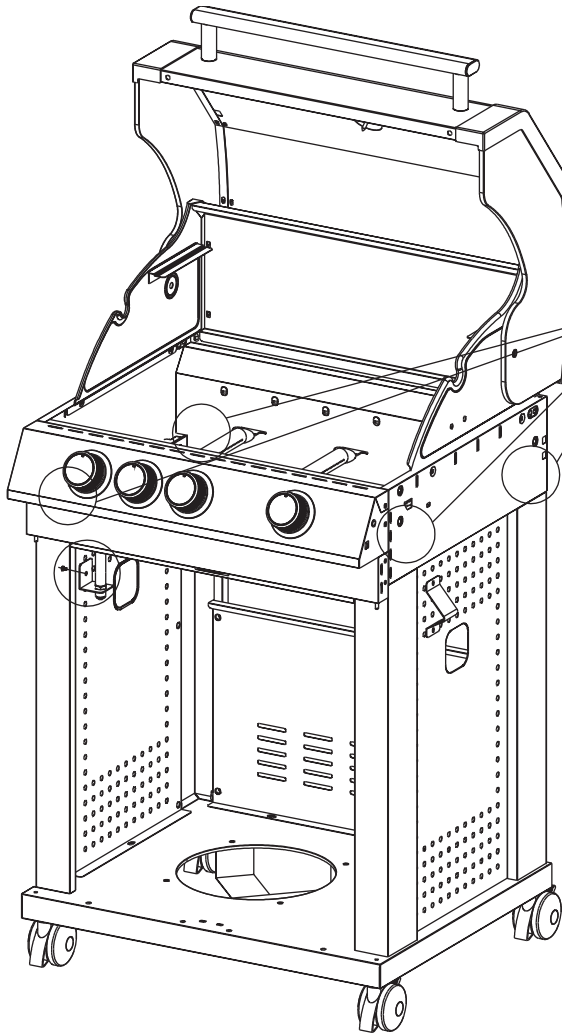
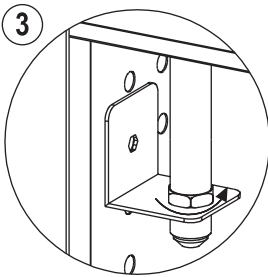
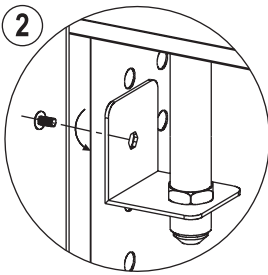
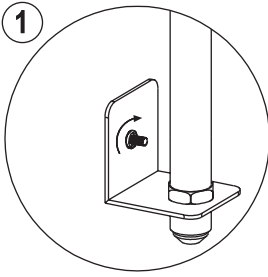
10.



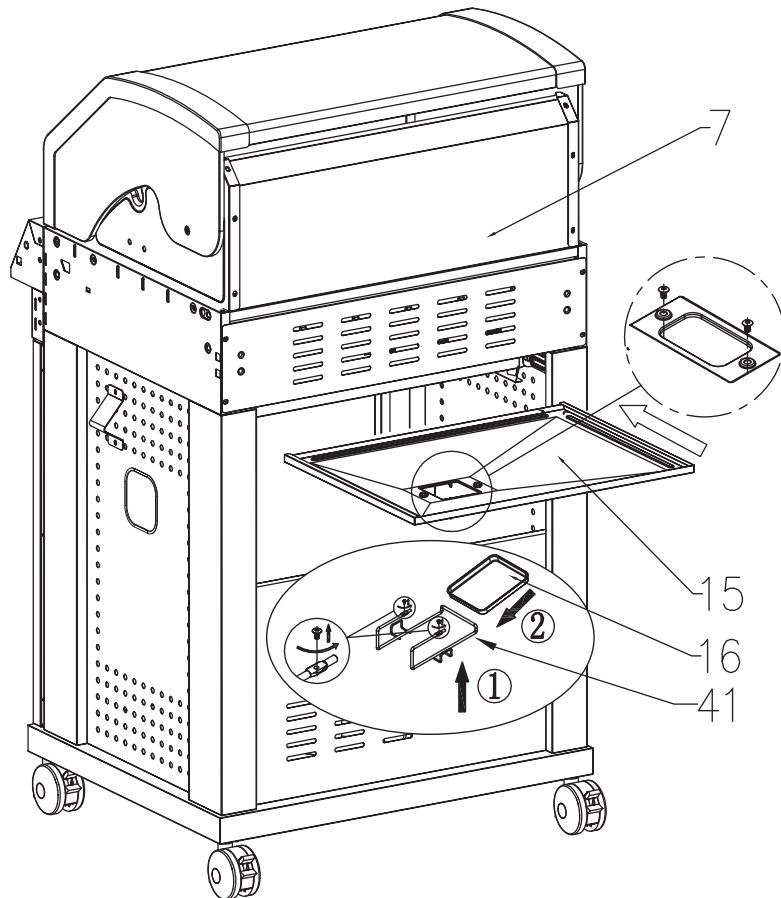
11.



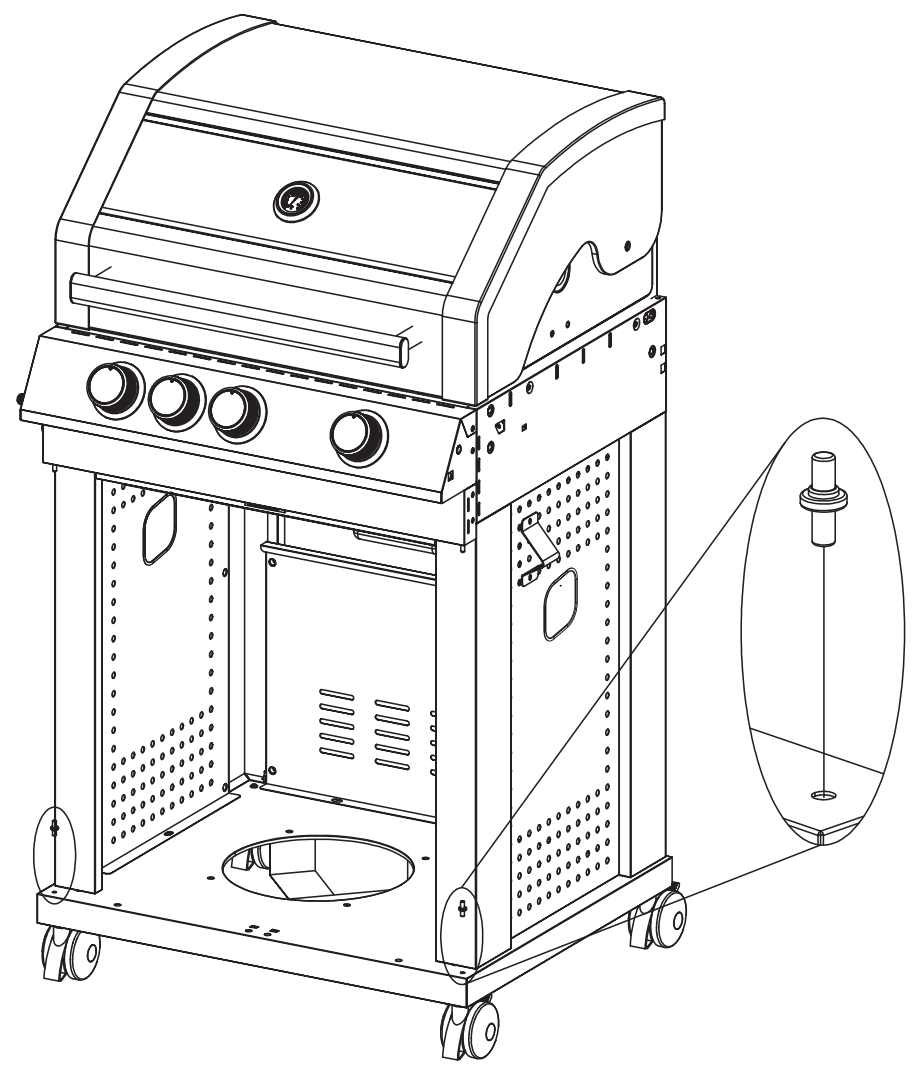
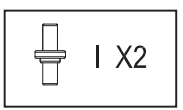
12.



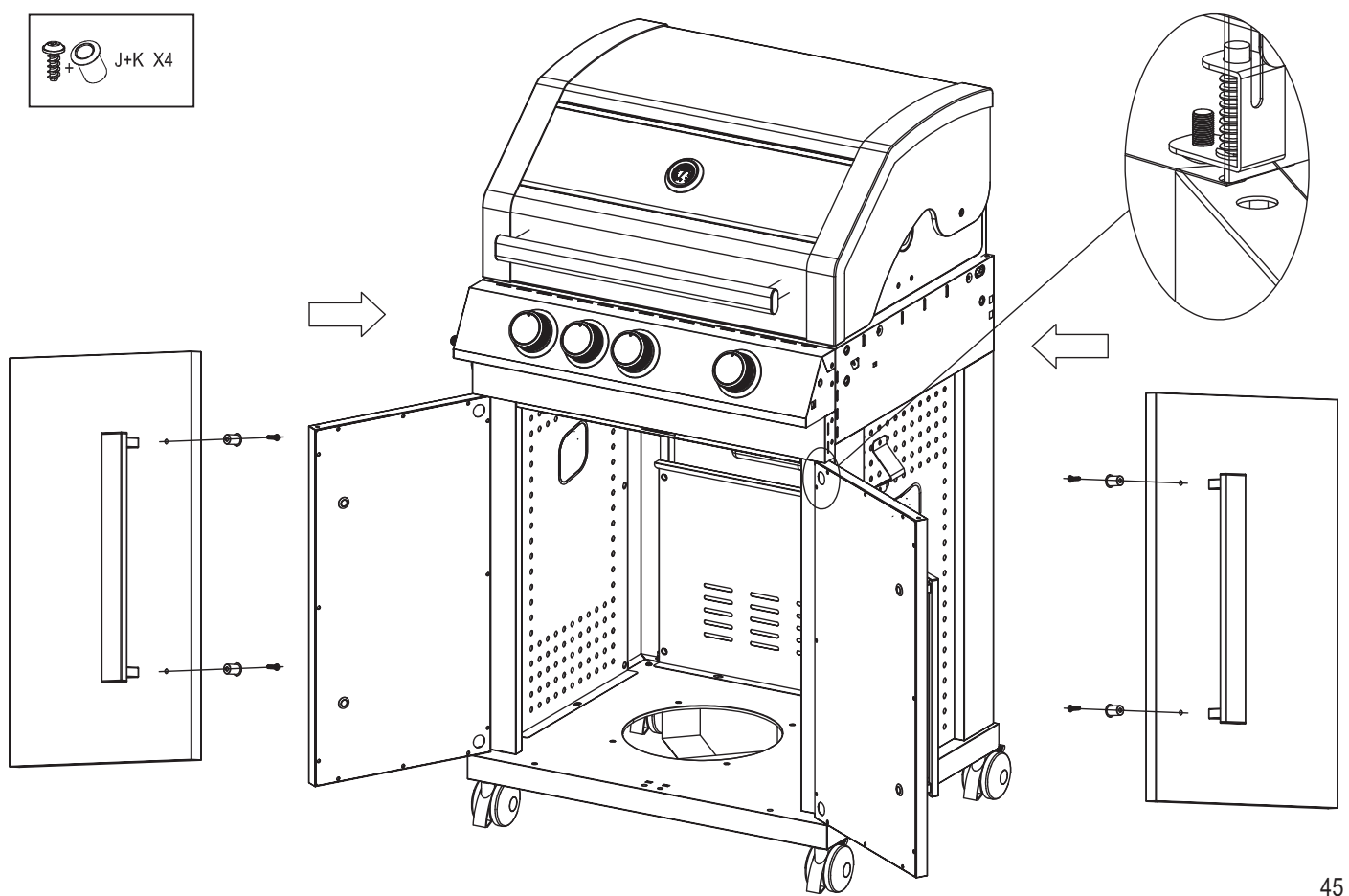
13.



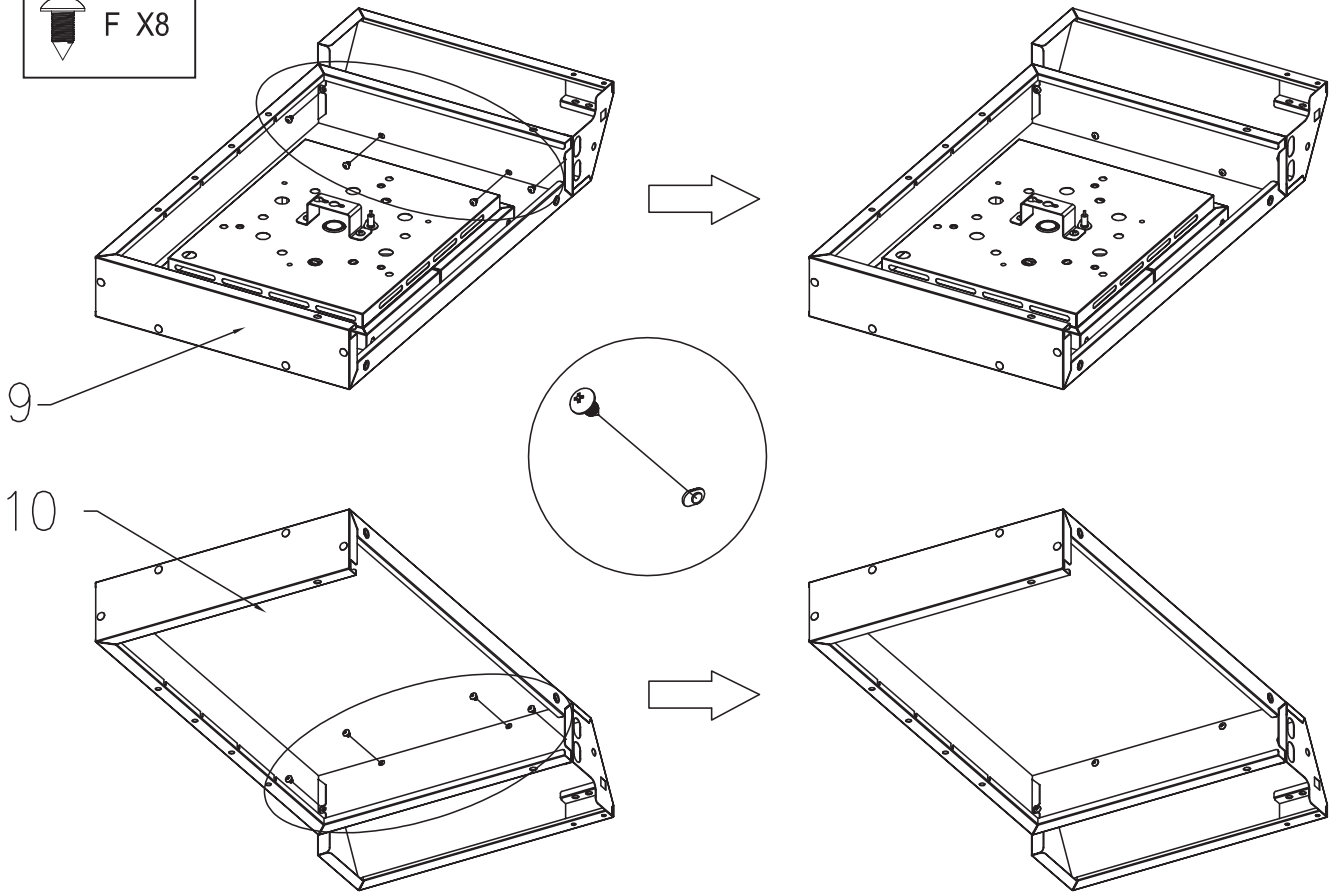
14.



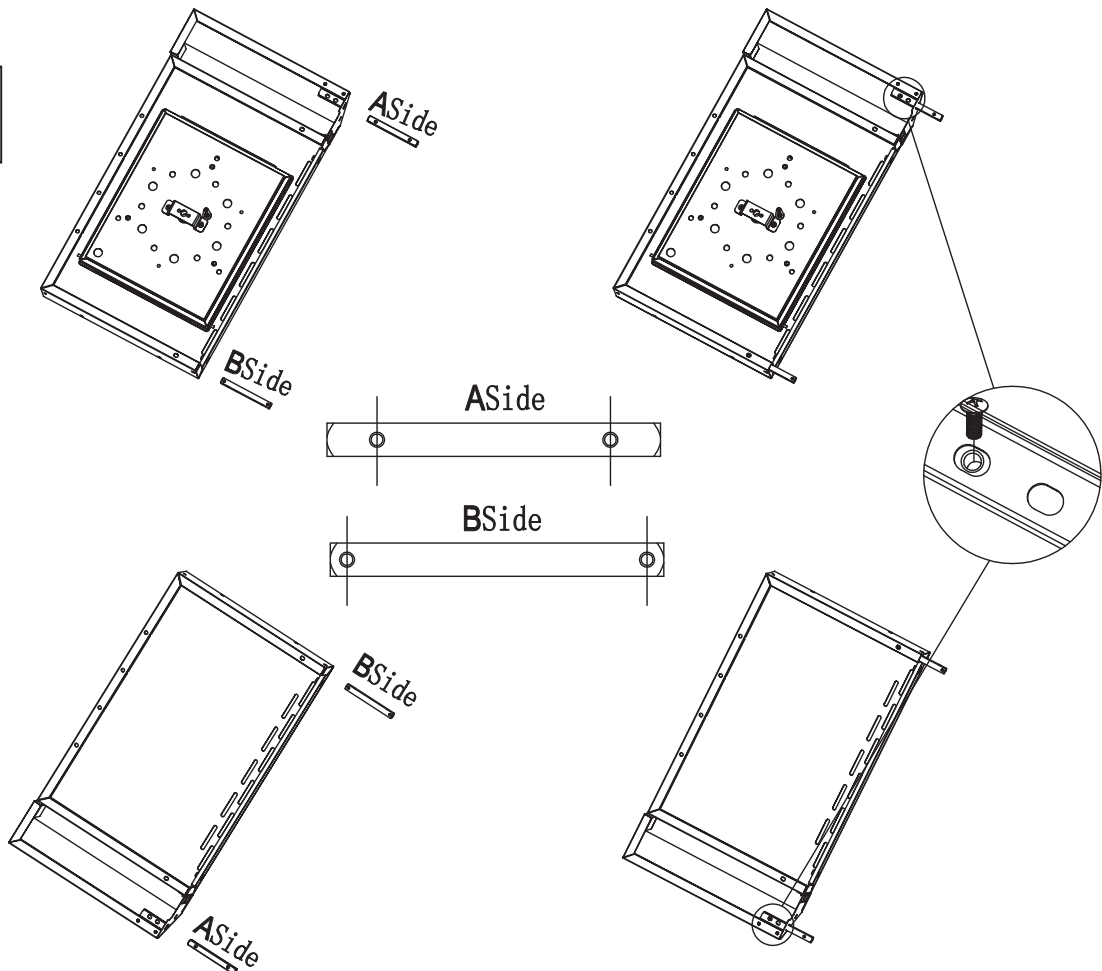
15.



16.

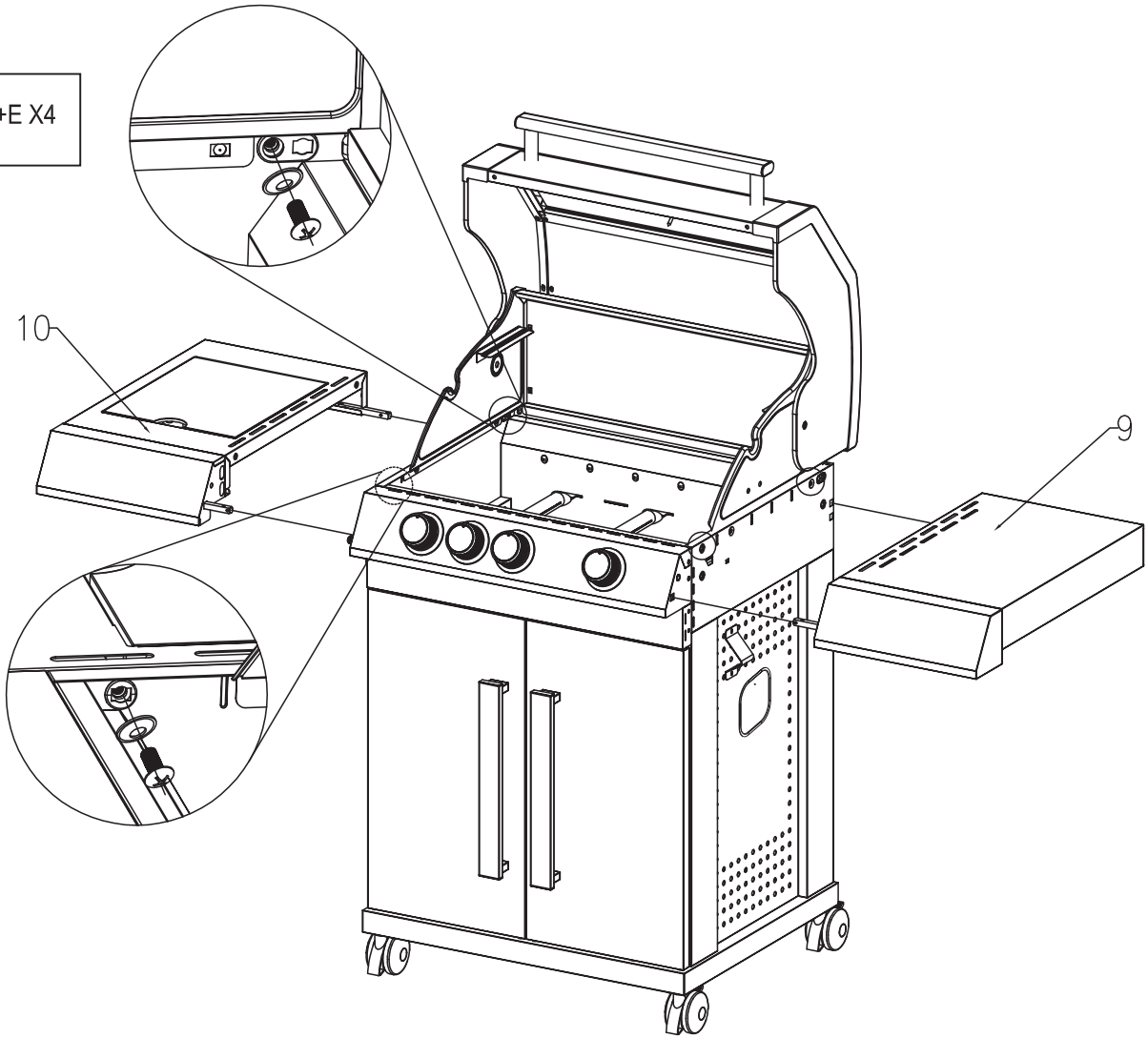


17.



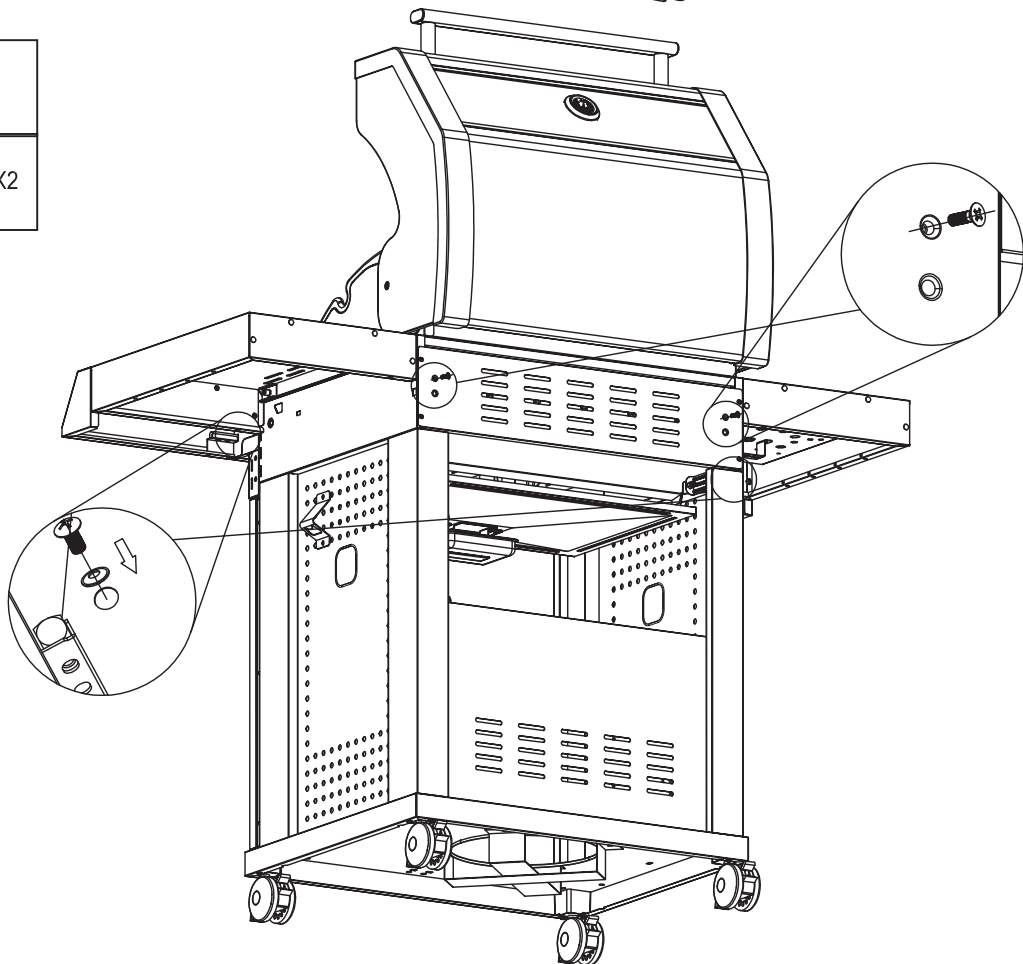
18.

C+E X4



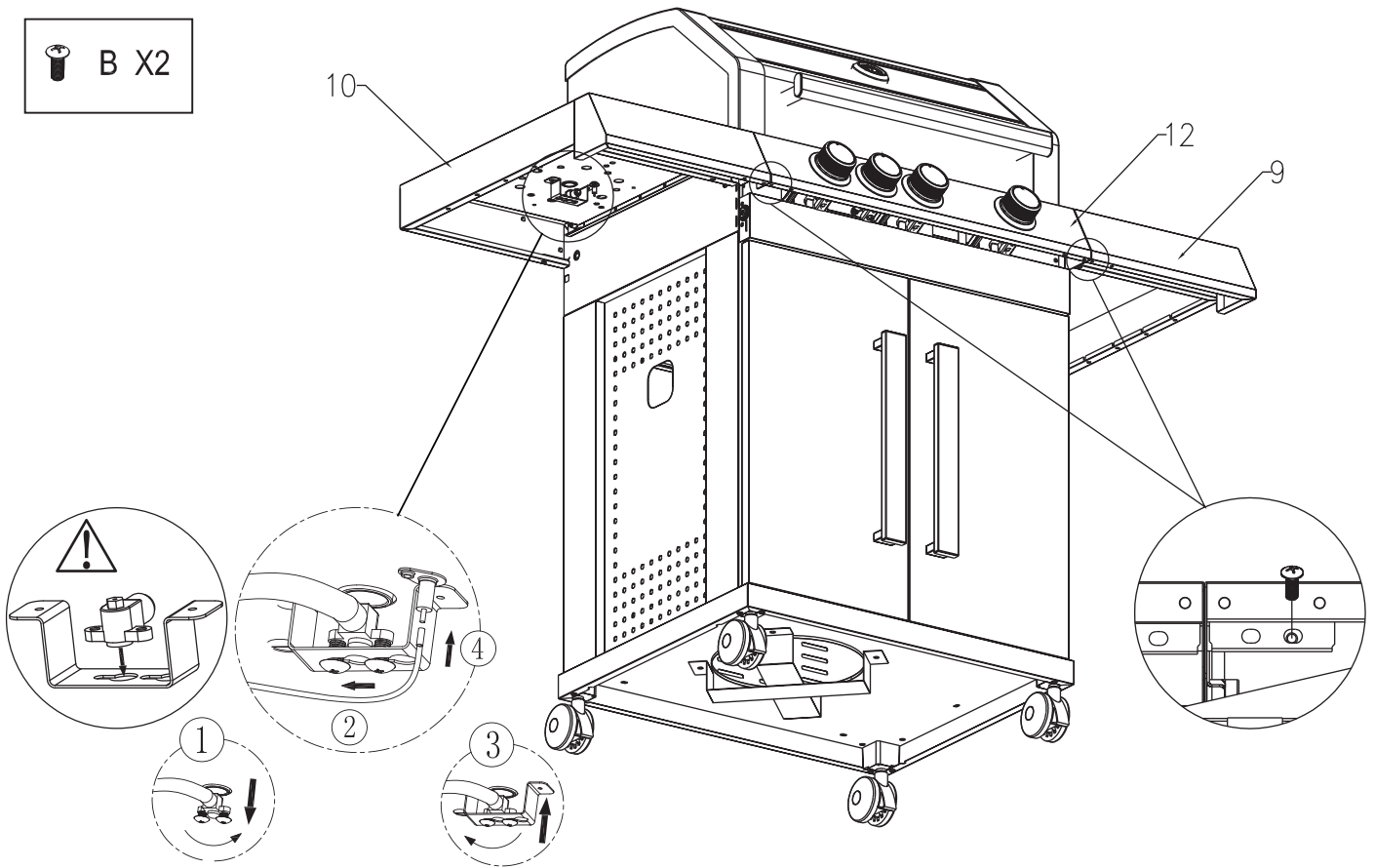
19.

A X2
C+E X2

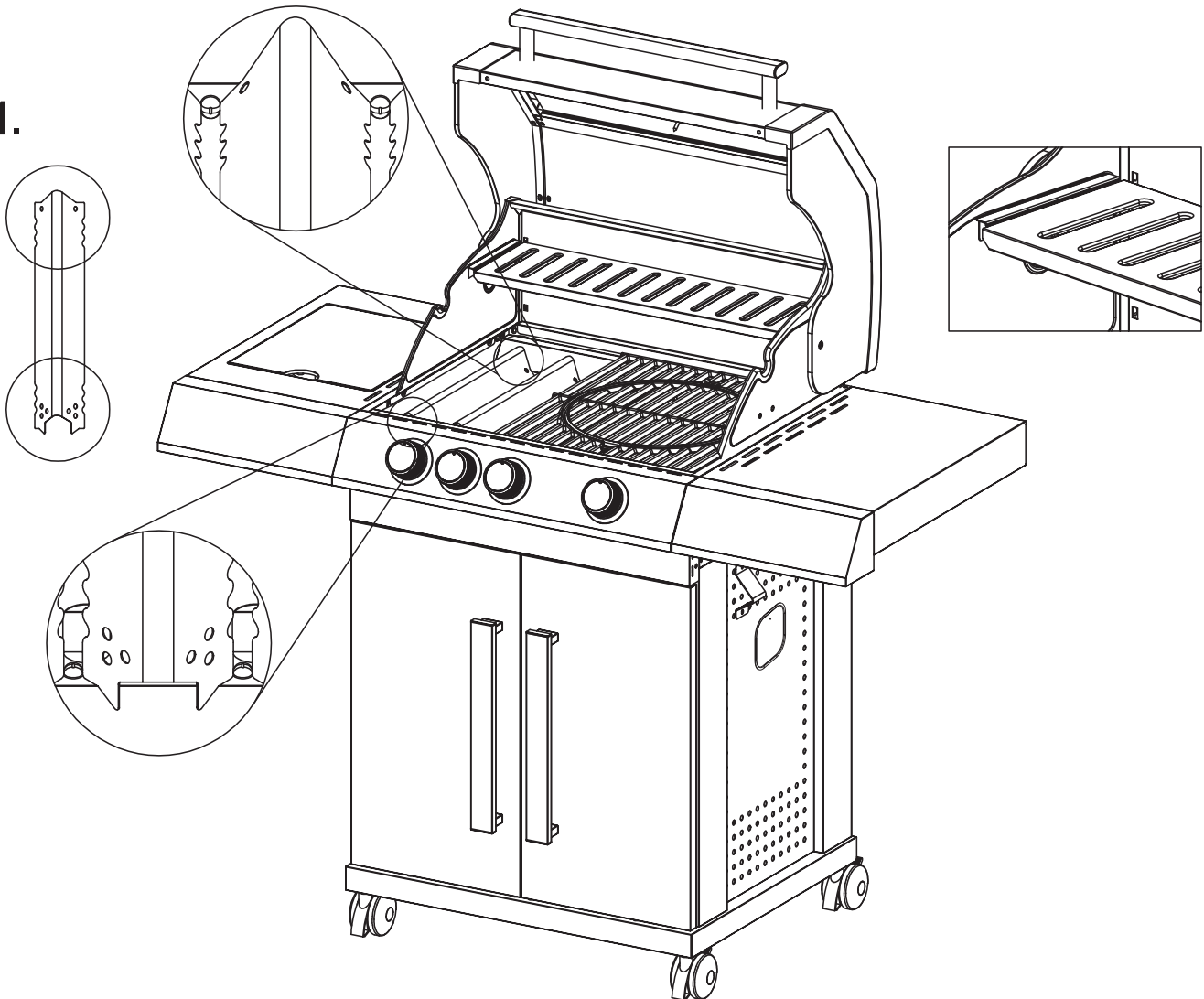


20.

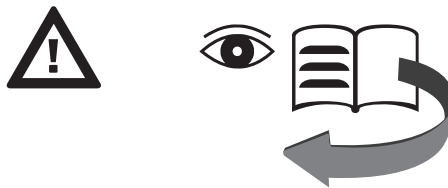
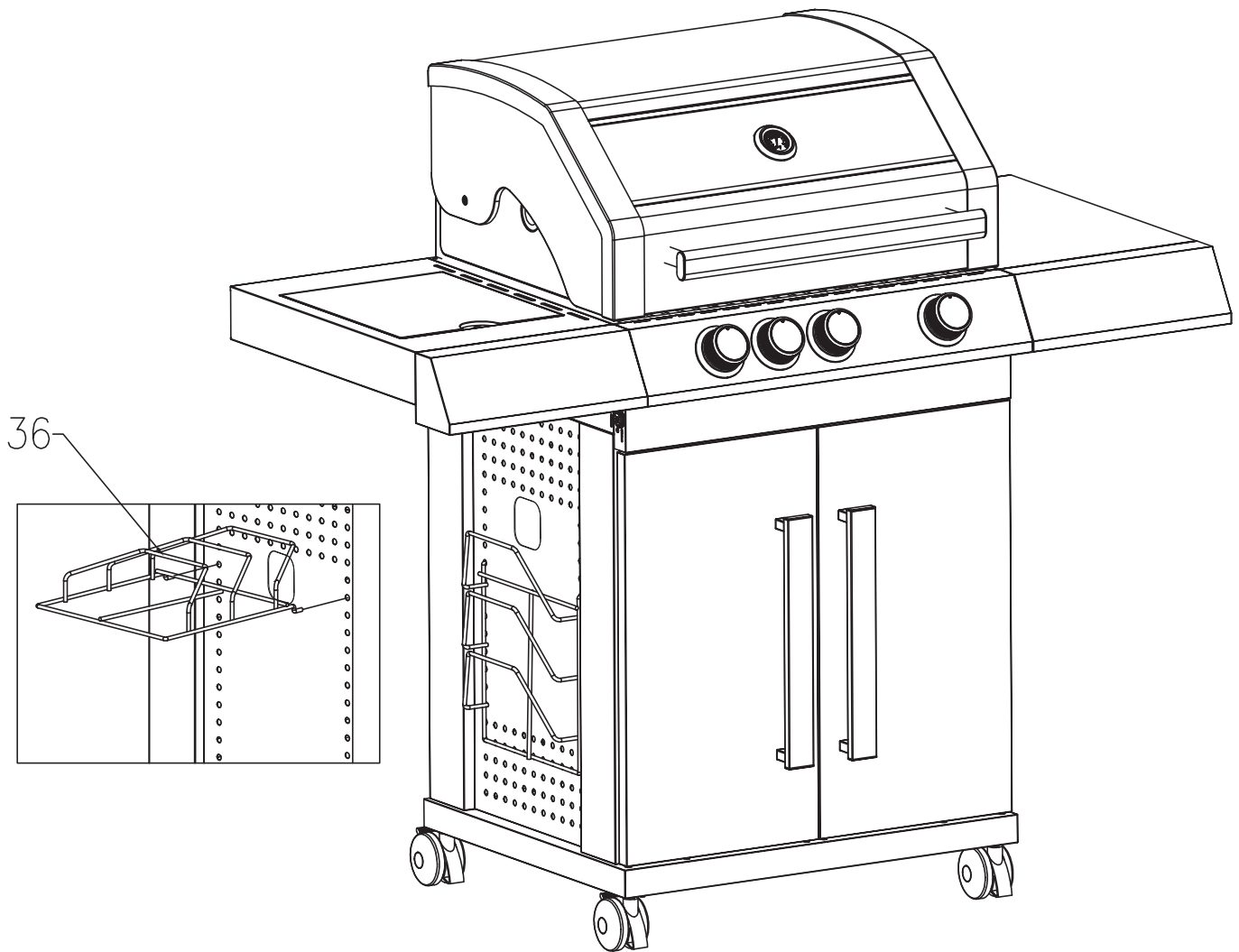
 B X2

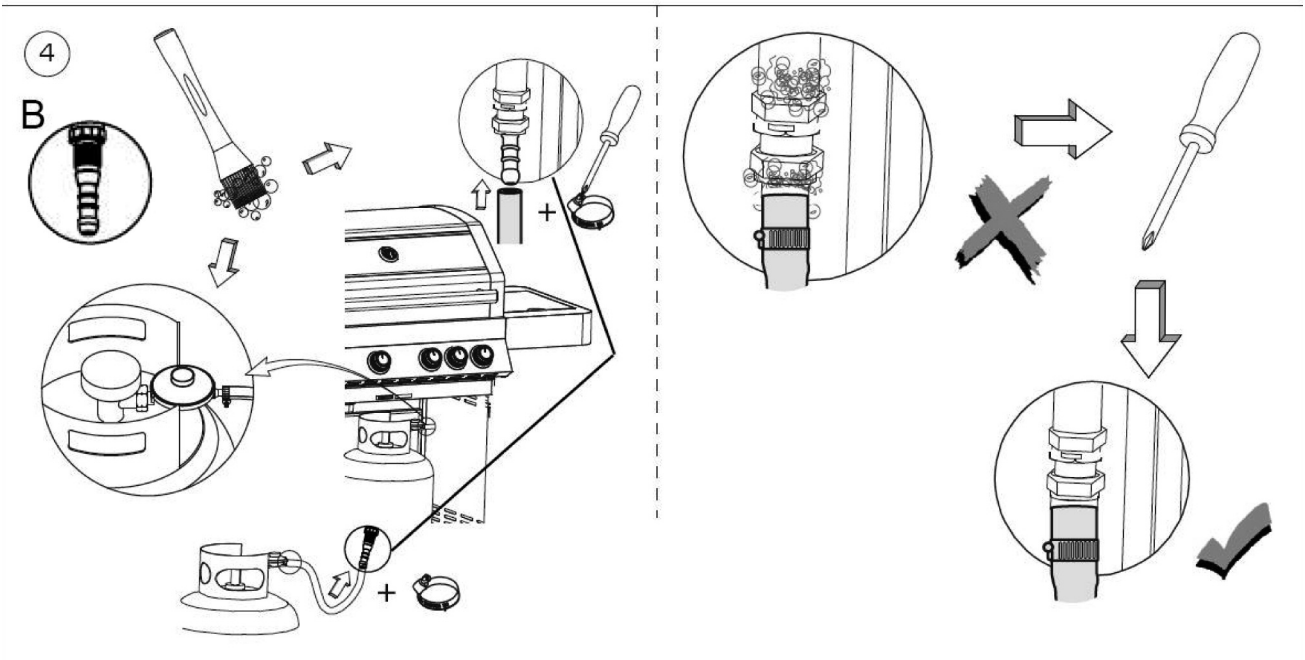
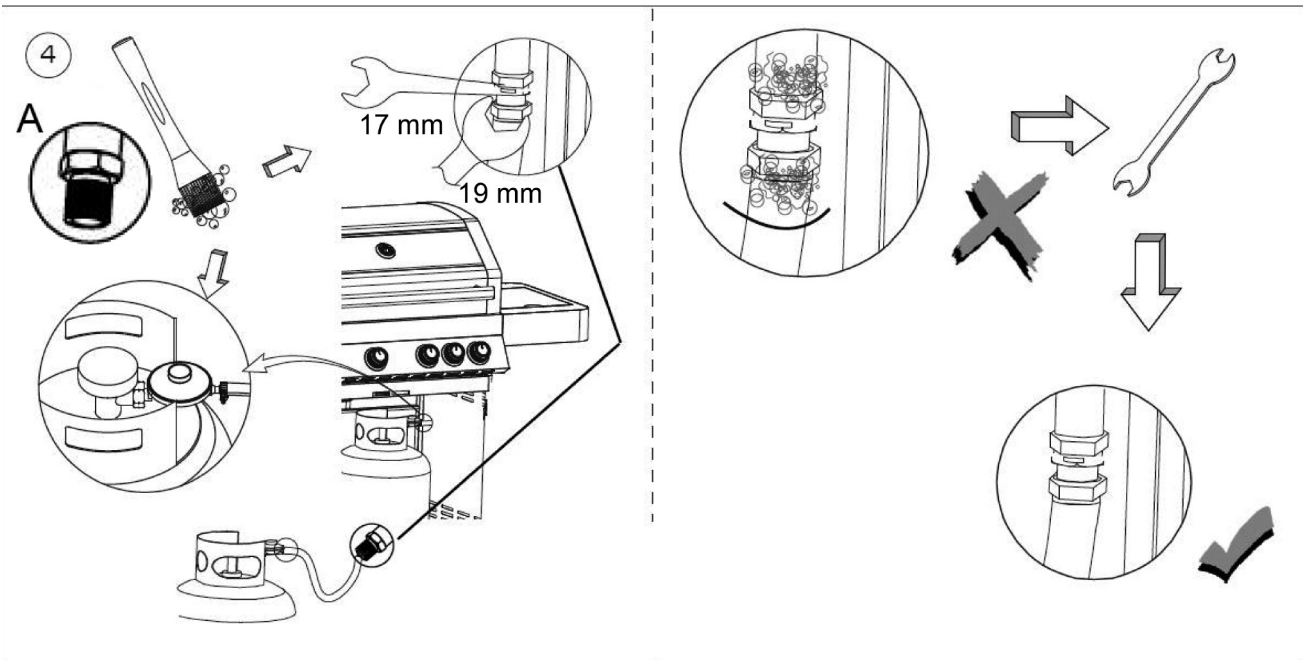
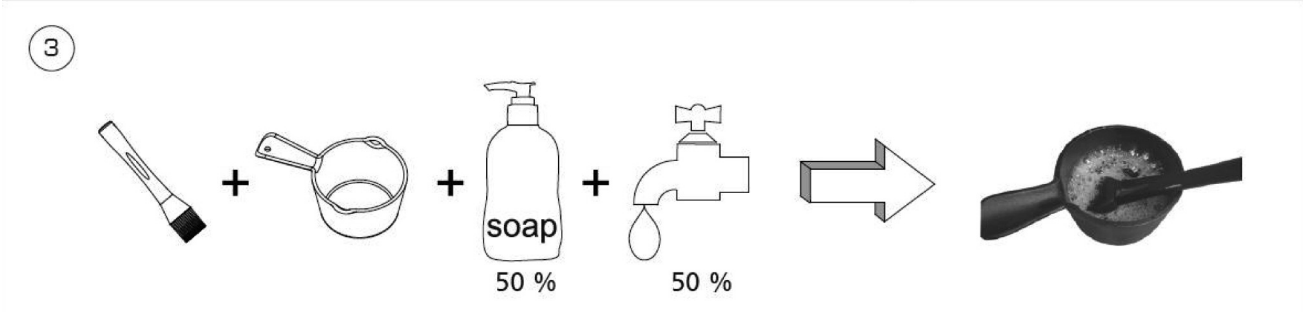
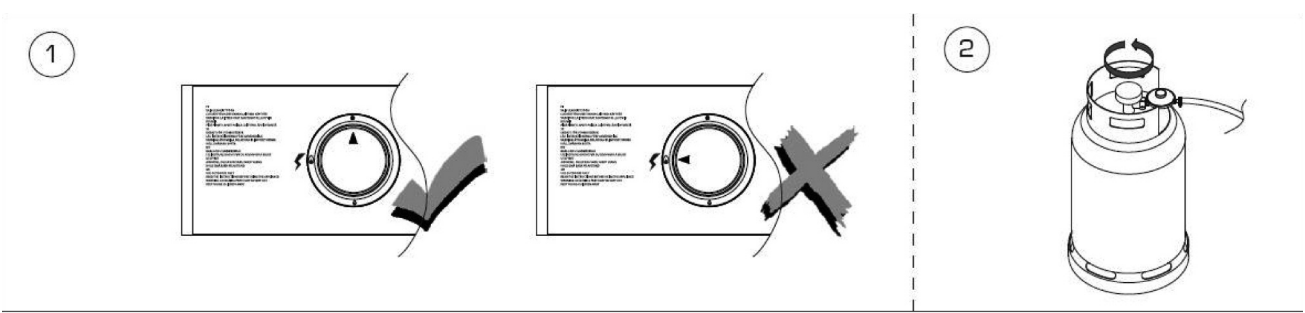


21.



22.









Spare parts

No.	Appellation	Art.-No.	No.	Appellation	Art.-No.
1	Lid	9222001	22	Rear side low panel	9222023
2	Lid handle	9202002	23	Bottom panel assembly	9222025
3	Thermometer	9000002	24	Swivel caster	9200044
4	Warming rack	9202033	25	Cart door assembly	9222024
5	Interchangeable cast iron grid (450 x 395 mm)	9200007	26	Side burner nozzle base	9200015
6	Heat distribution panel	9200008	27	Side burner cover	9220010
7	Firebox assembly	9202009	28	Side burner cooking grid	9220011
8	Main burner tube assembly	9200026	29	Side burner	9200012
9	Right side table	9220037	30	Side burner insert tray	9200013
10	Side burner layer	9220013	31	Cart attachment bracket	9200019
11	Reinforce bar	9200028	32	Gas-jar bracket	9220030
12	Control panel assembly	9222016	33	Bottle opener bracing sheet	9200042
13	Battery box	9000043	34	Bottle opener	9200041
14	Control knob	9200029	35	Pizza stone (Ø 305 mm)	9200006
15	Grease tray	9202118	36	Support rack	9200040
16	Grease cup assembly	9000032	37	Interchangeable round grid (Ø 305 mm)	9200005
17	Cart front beam	9222022	38	Cast iron grid (450 x 195 mm)	9200035
18	Door magnet	9200031	39	Gas line to the main distribution pipe	9200045
19	Leg-B	9220020	40	Gas connector fixing bracket	9200046
20	Leg-A	9220021	41	Grease cup rack	9000041
21	Side low panel	9220014			

Fixing elements, No., Art.-No.

A	9200061	B	9200062	C	9200063	D	9200064	E	9200065	F	9200066	G	9200067
H	9200068	I	9200069	J	9200071	K	9200070						