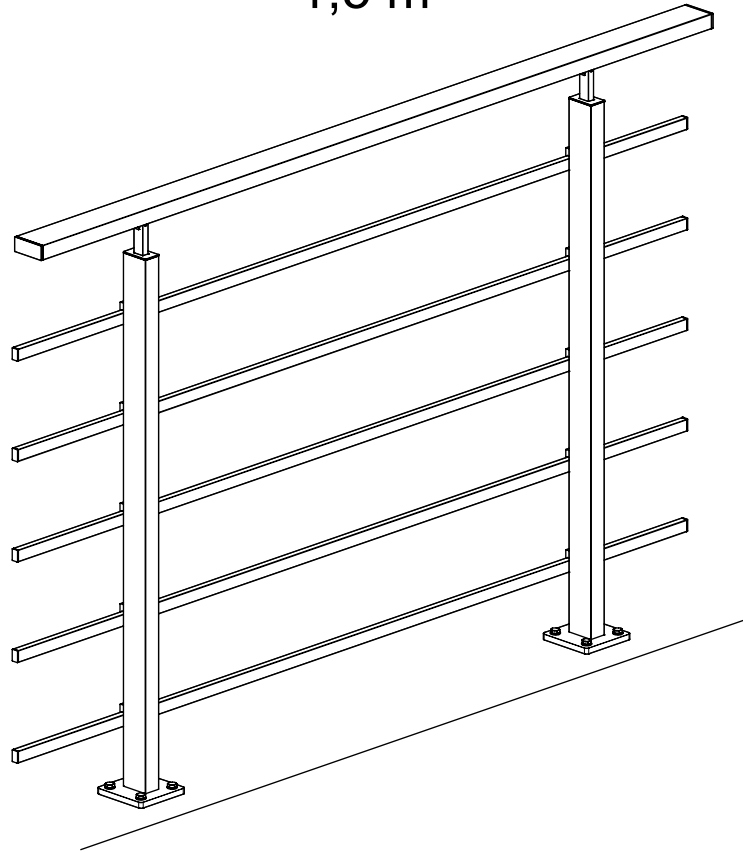
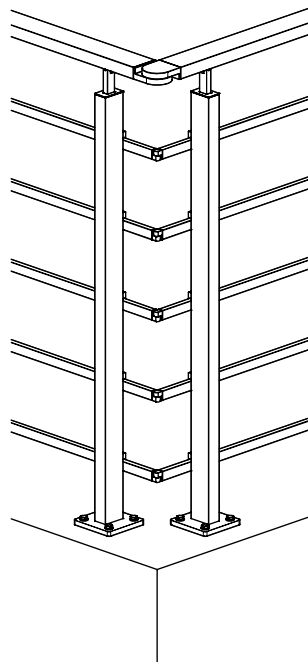


# PS 300

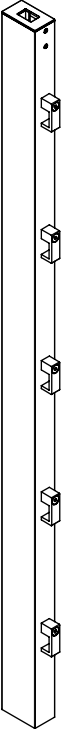
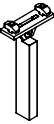
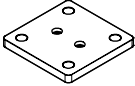

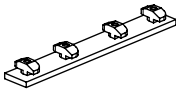
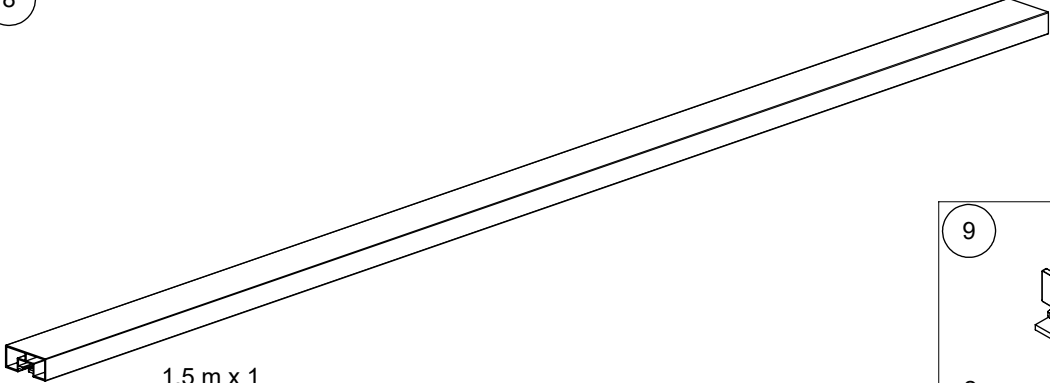
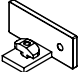
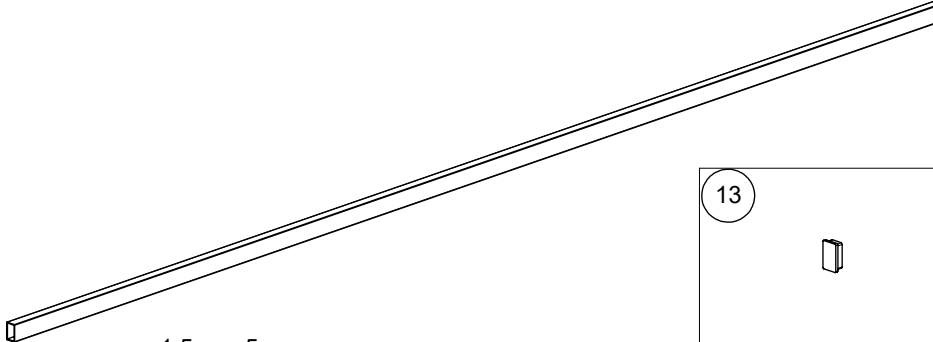
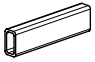


1,5 m



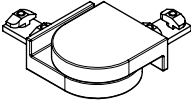
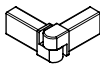



OPTION

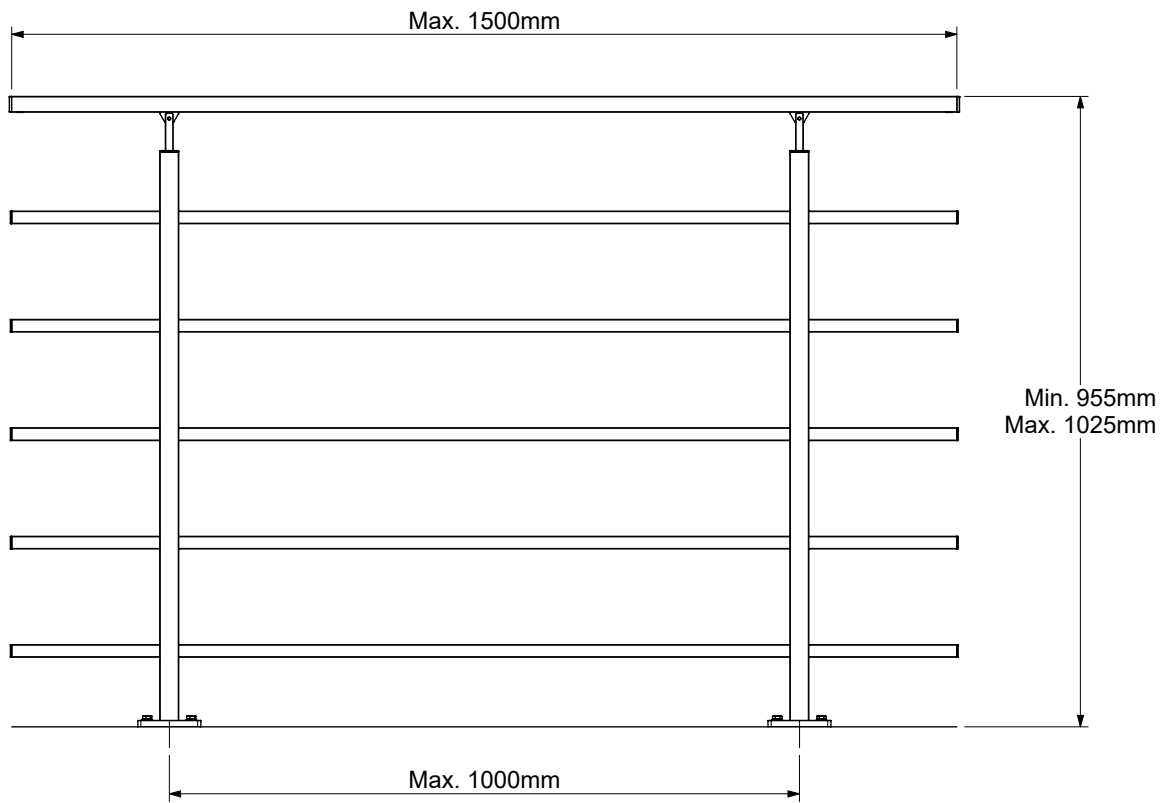


**EA15F**

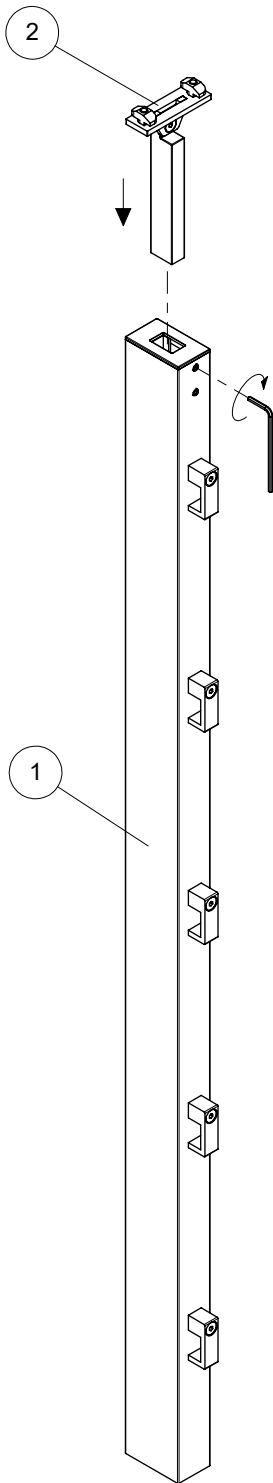
<p>1</p> 	<p>2</p>  <p>x 2 K2-1086518</p>	<p>3</p>  <p>x 2 K1-1086511</p>	<p>4</p>  <p>x 4 K3-02155 M10 x 100</p>	<p>7</p>  <p>x 1 K2-1085040</p>	
<p>x 2 K2-1086501</p>		<p>8</p>  <p>1,5 m x 1 K1-1086541</p>			<p>9</p>  <p>x 2 K2-1086548</p>
<p>x 2 K2-1086501</p>		<p>11</p>  <p>1,5 m x 5 K1-1086551</p>			<p>12</p>  <p>x 5 K1-1086559</p>
<p>x 2 K2-1086501</p>		<p>13</p>  <p>x 10 K1-1086558</p>	<p>14</p>  <p>x 1 K3-90001</p>		

**OPTION**

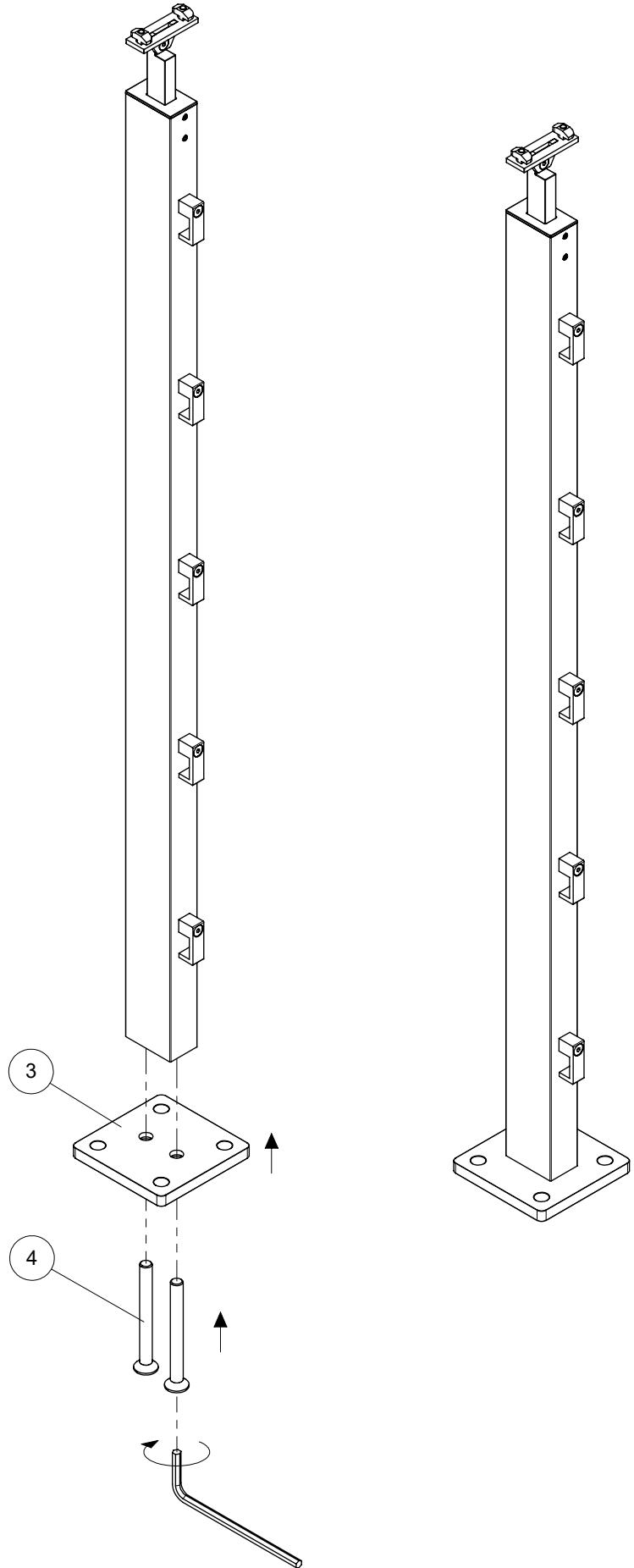
<p>20</p>  <p>x 1 K2-1086560</p>	<p>21</p>  <p>x 5 K2-1086562</p>	
<p>30</p>  <p>x 4 K1-1086598</p>	<p>31</p>  <p>∅ 6,2mm</p> <p>x 8 K1-36047</p>	<p>32</p>  <p>x 4 K3-02176 M6 x 16</p>

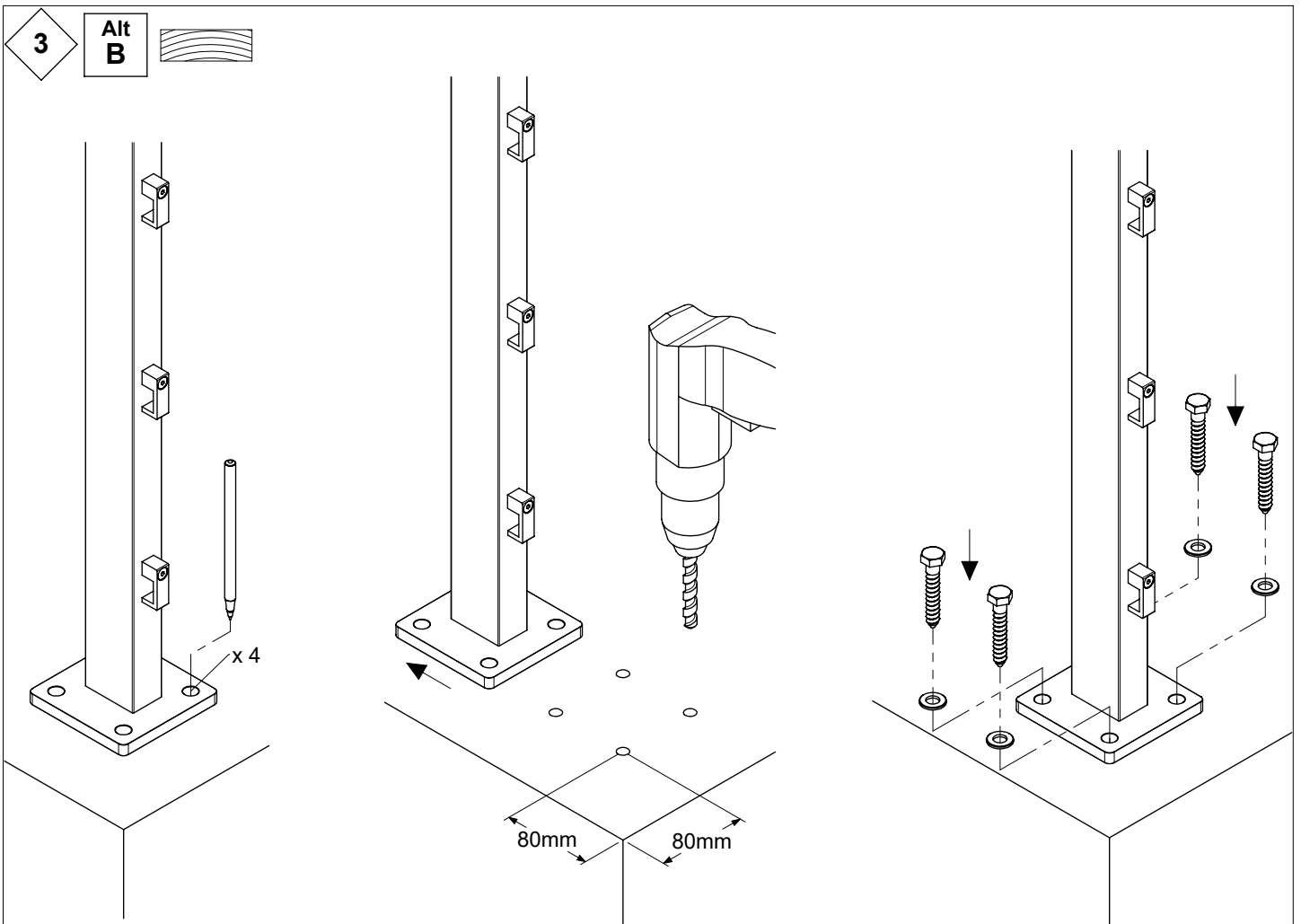
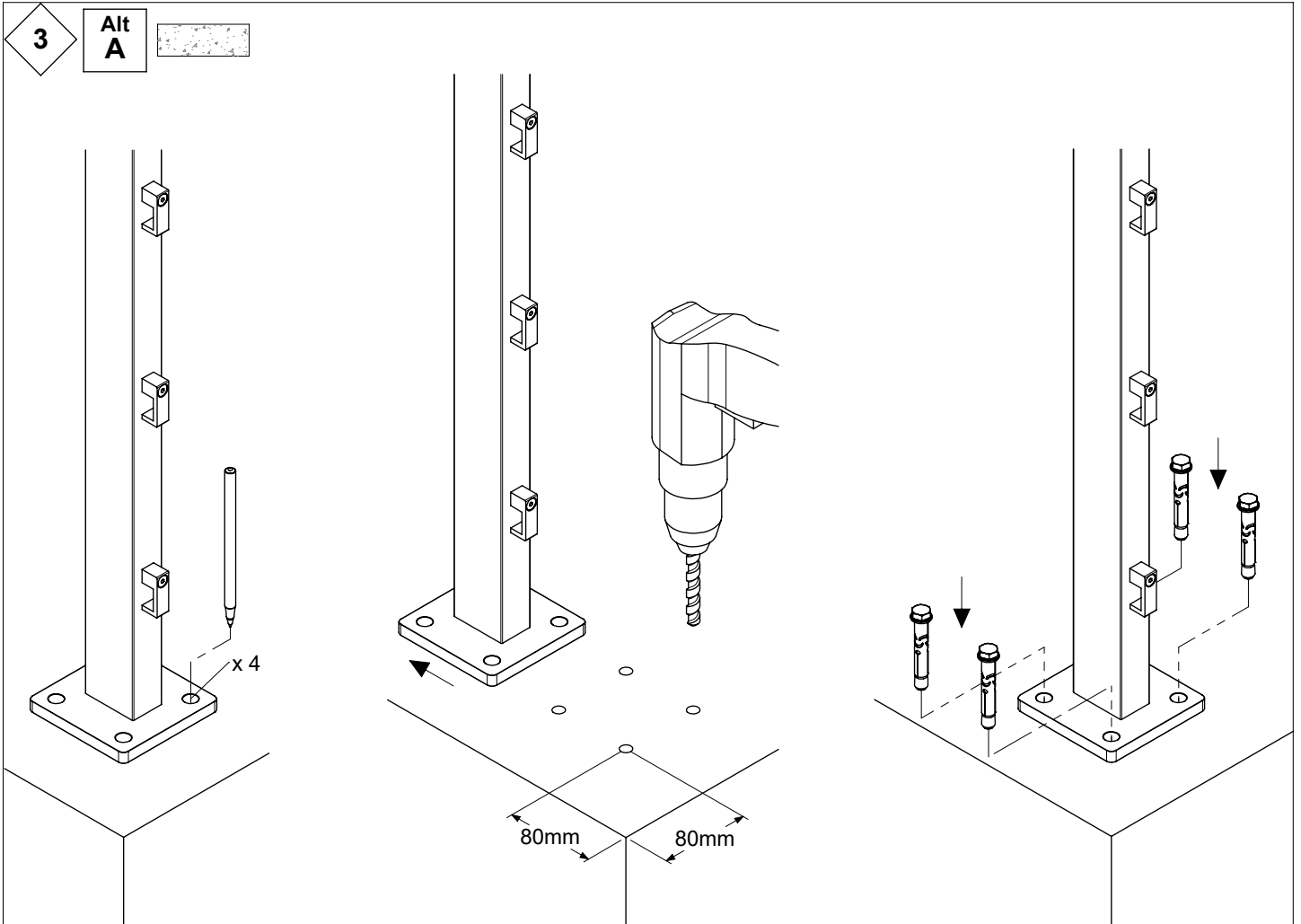


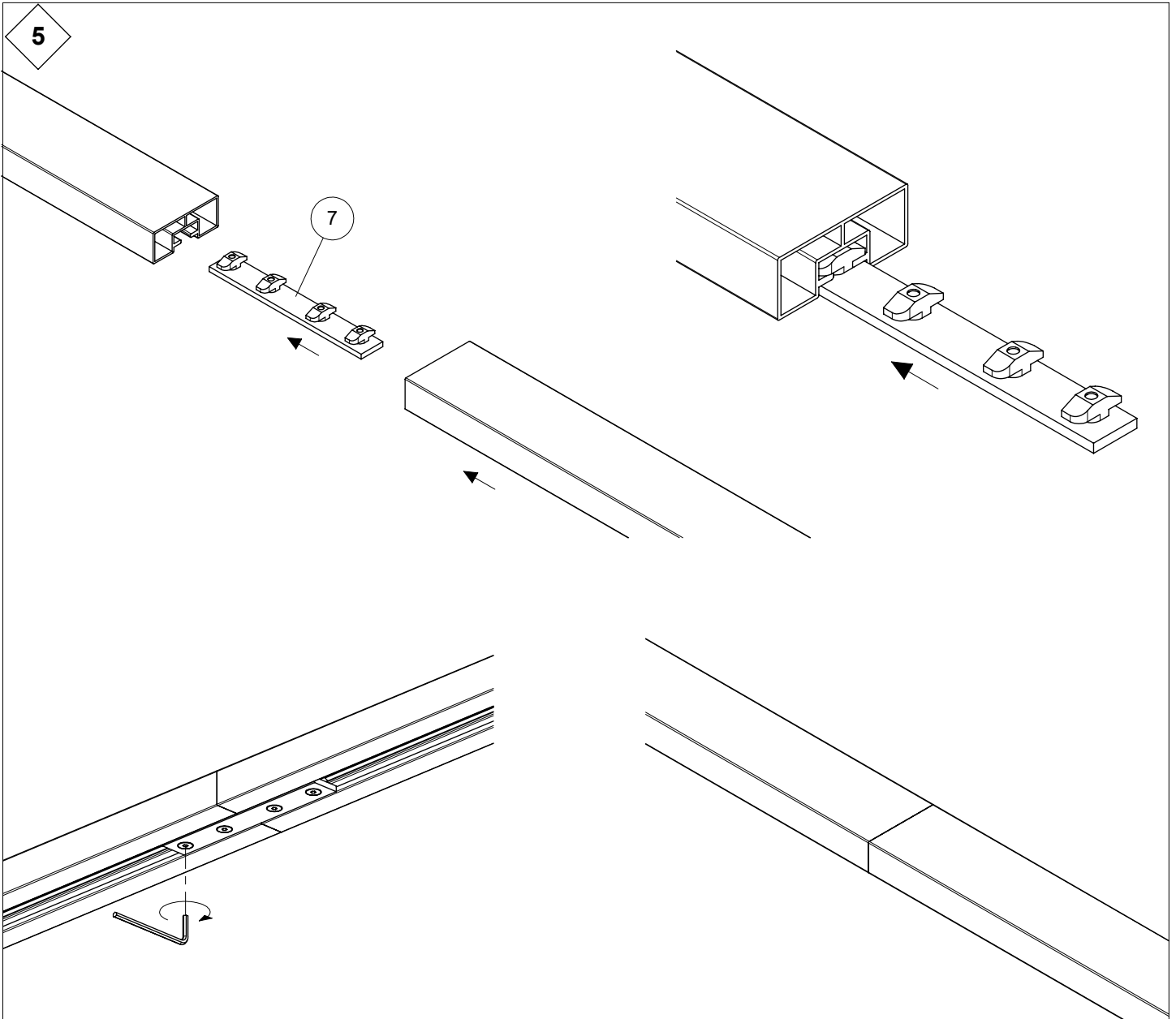
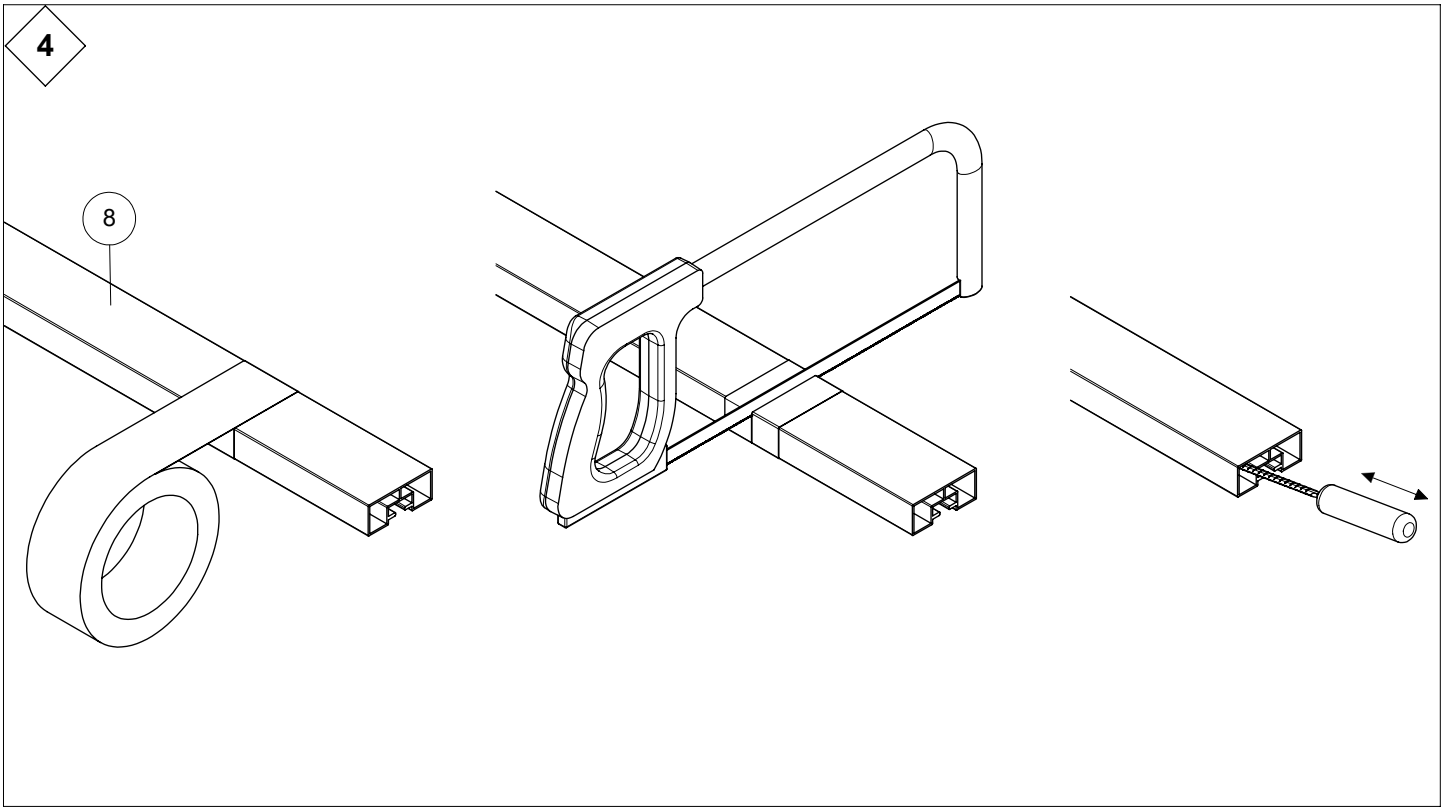
1

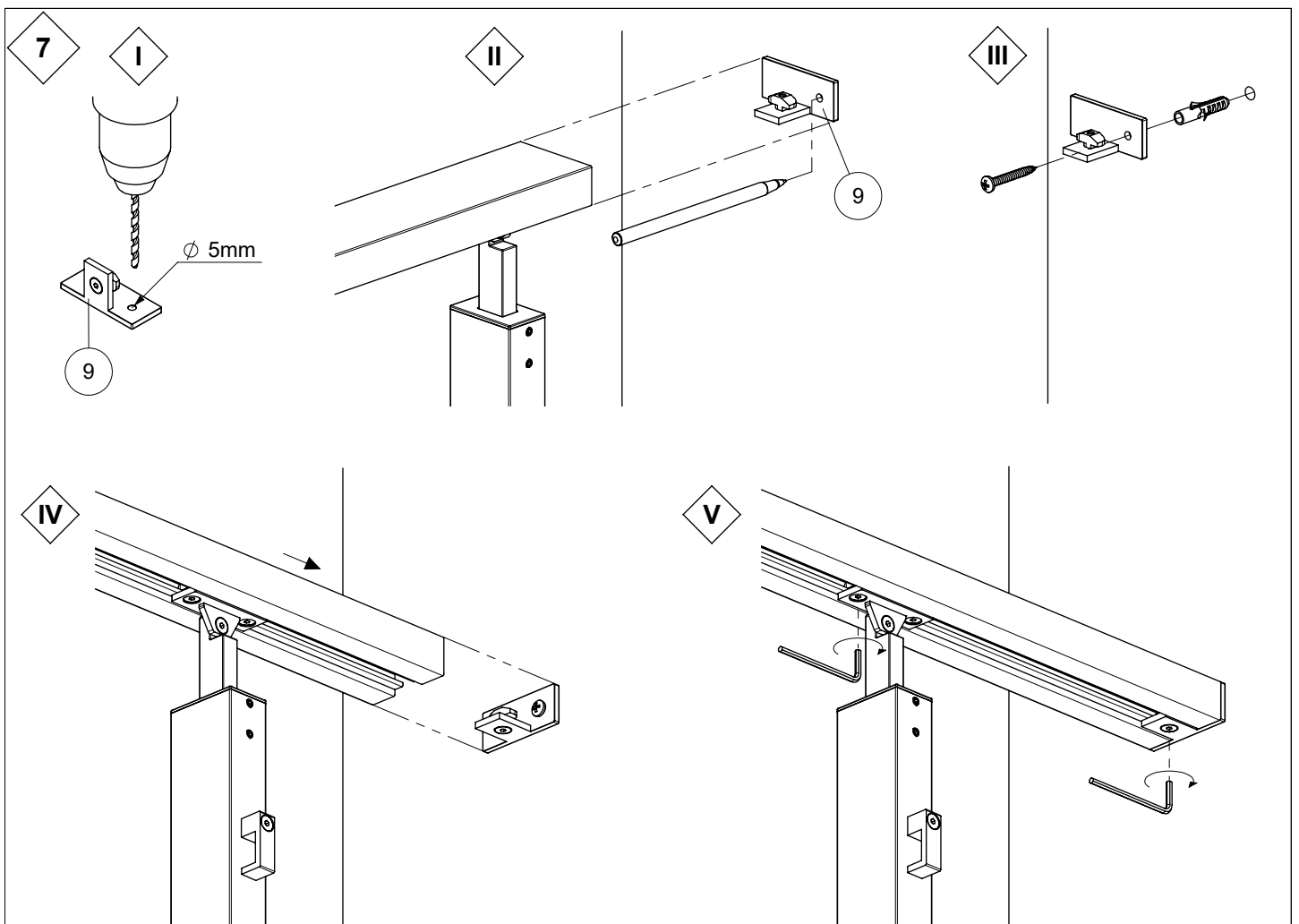
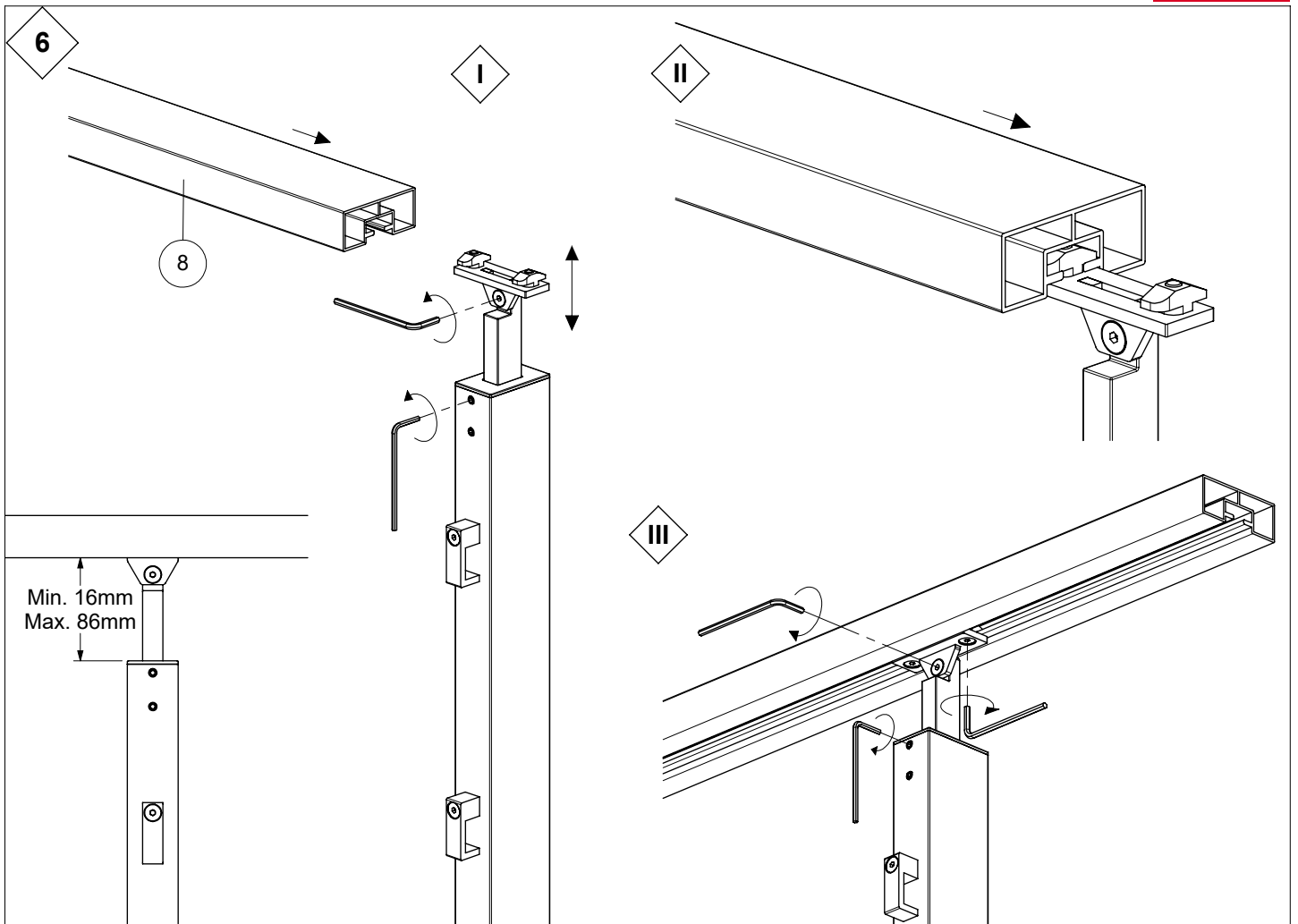


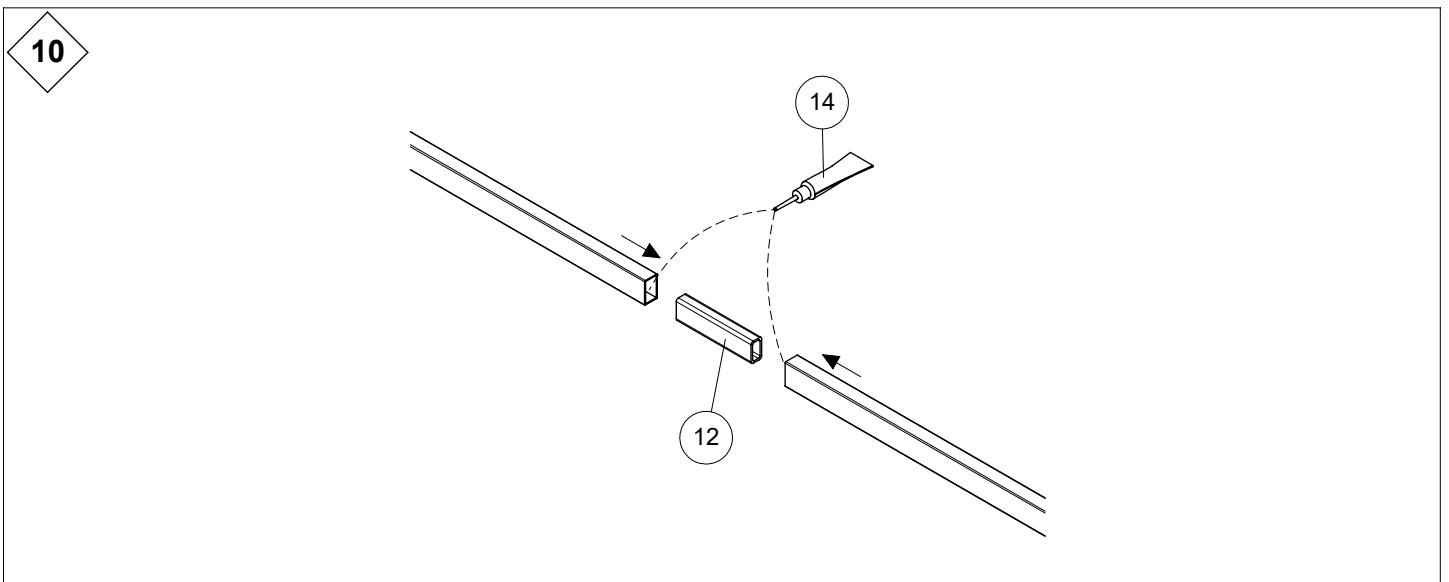
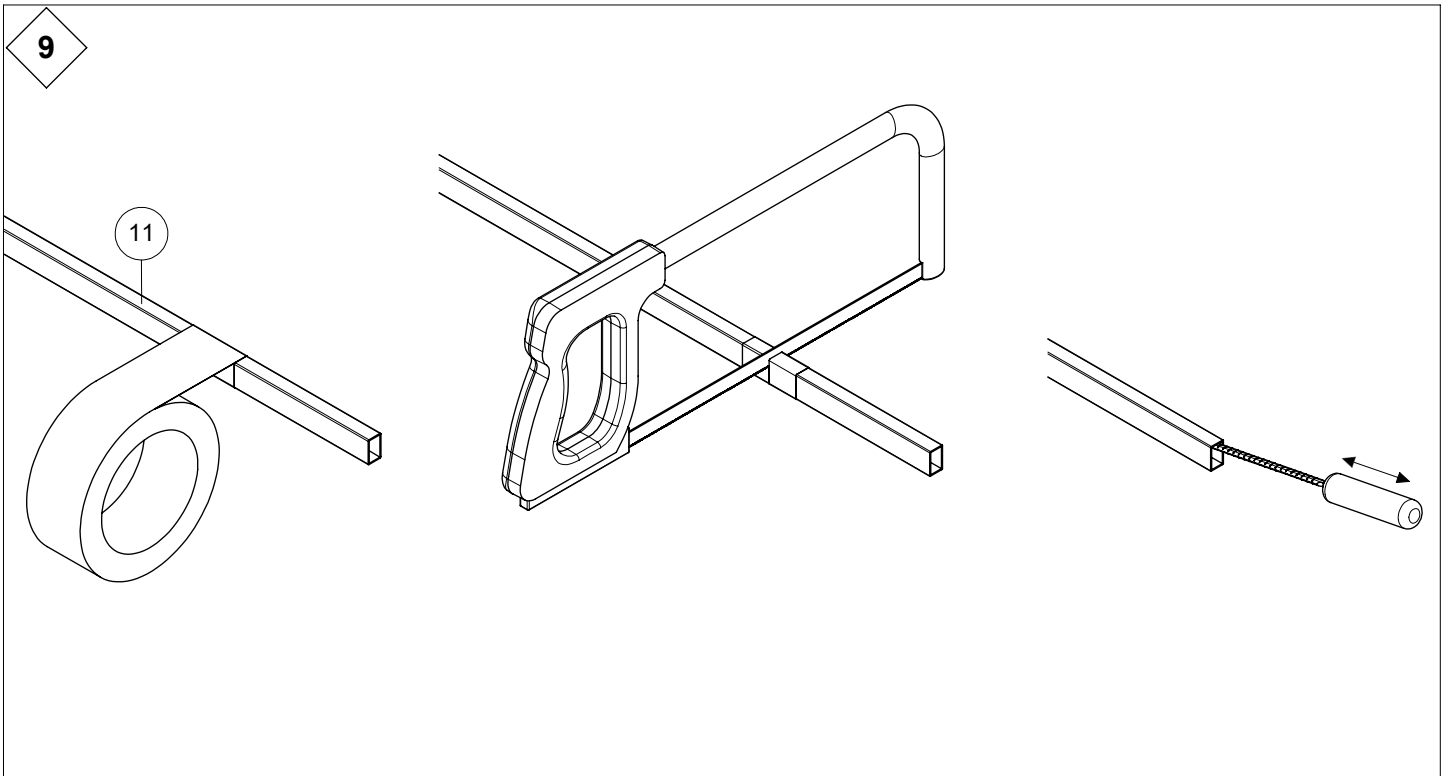
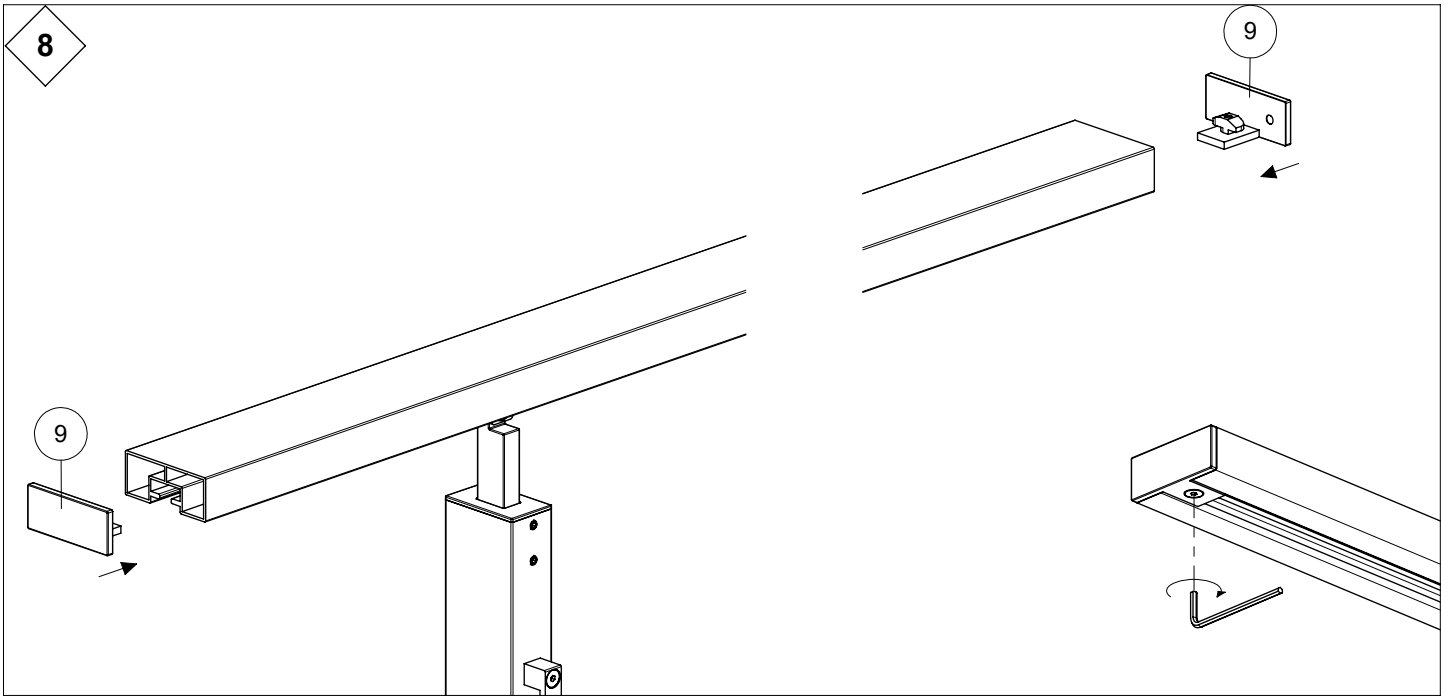
2



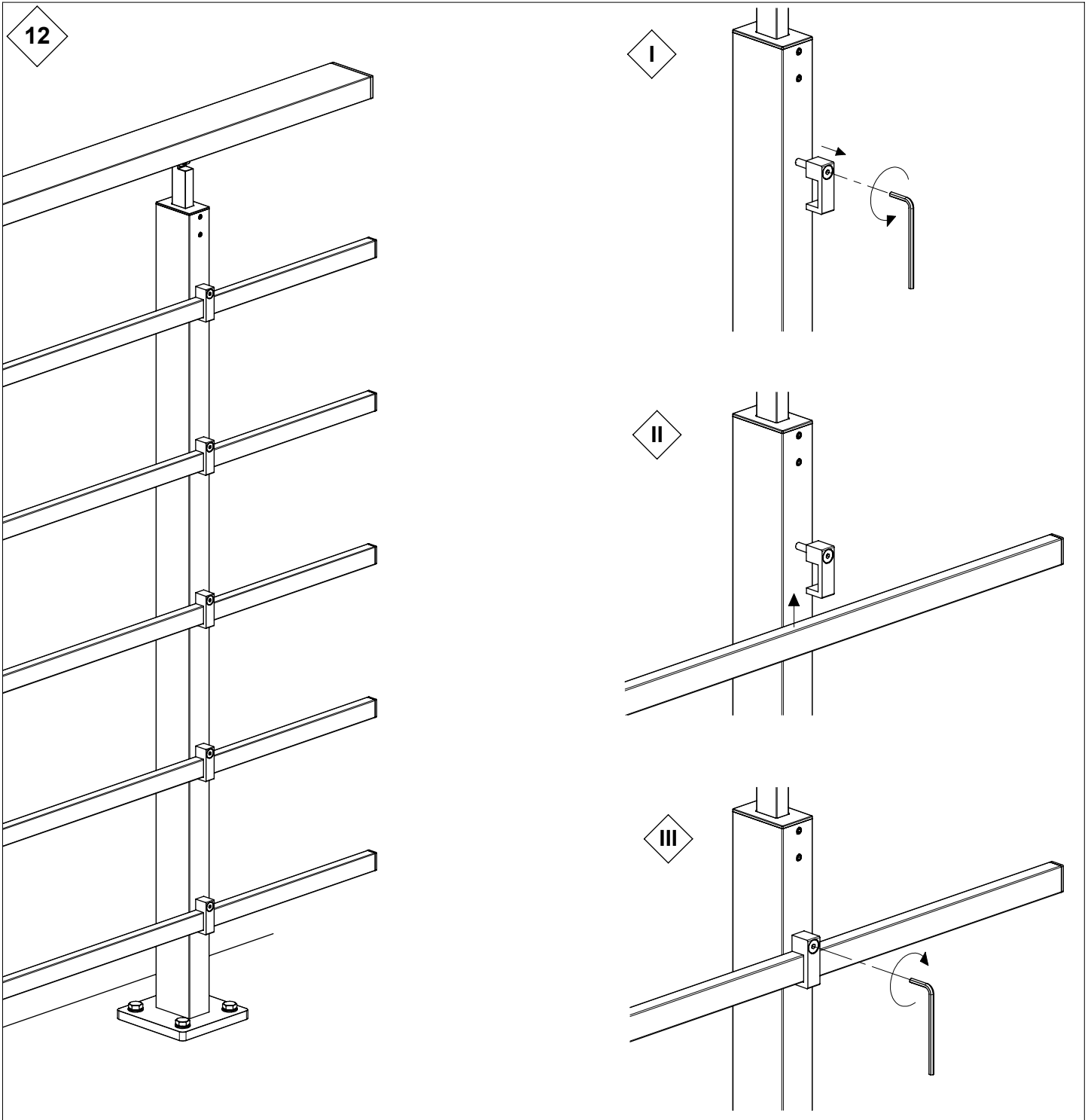
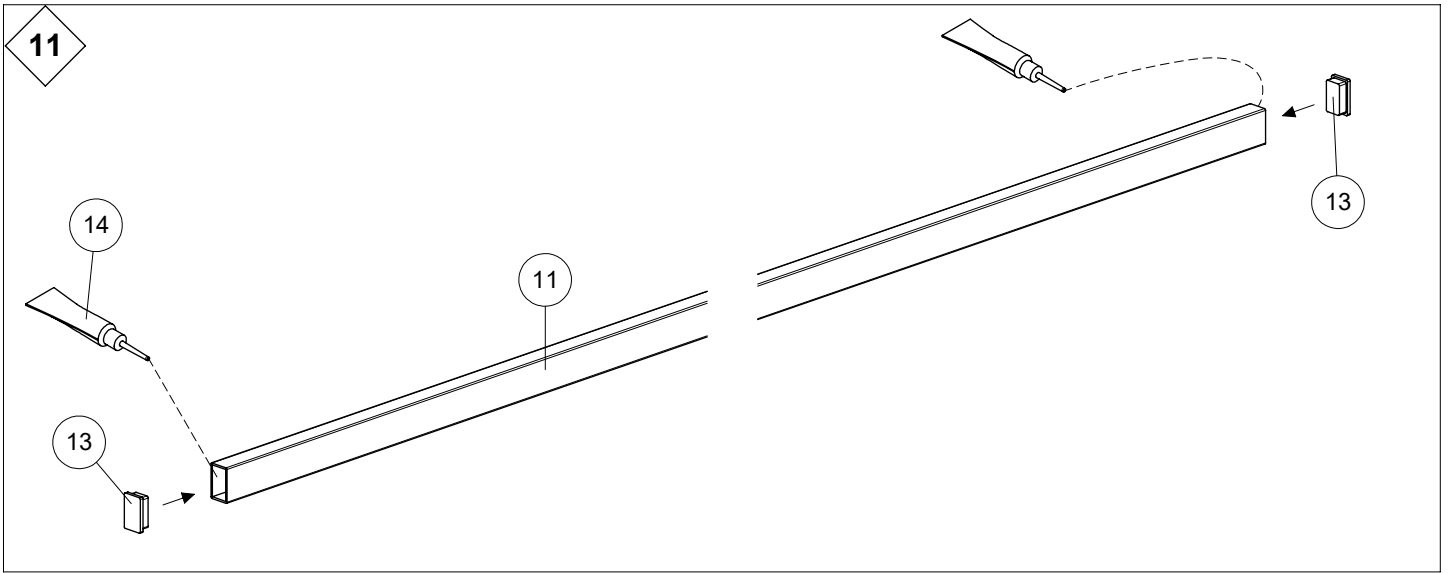




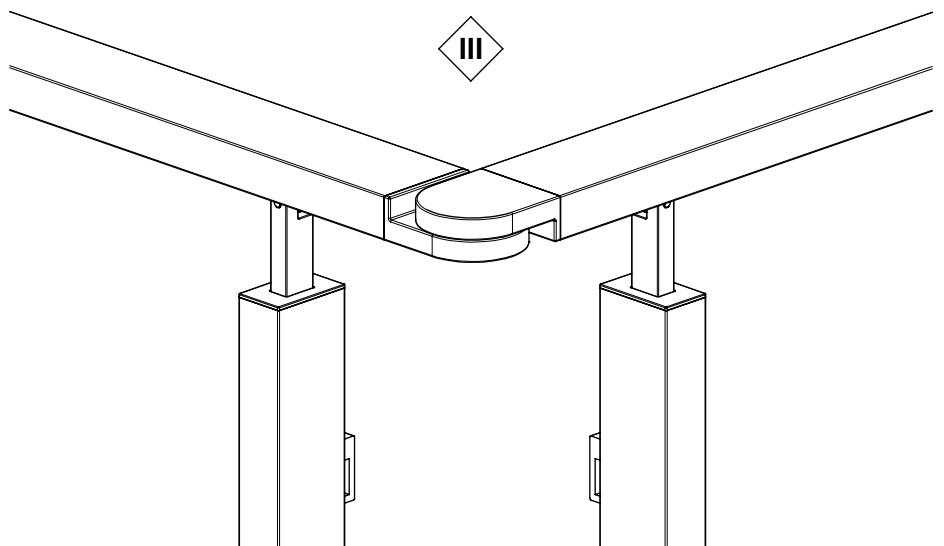
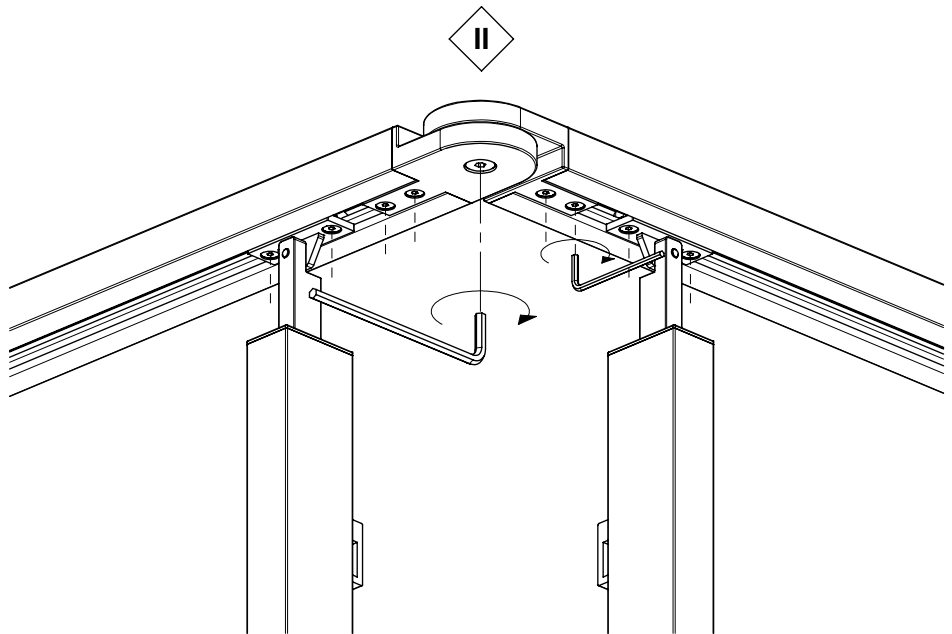
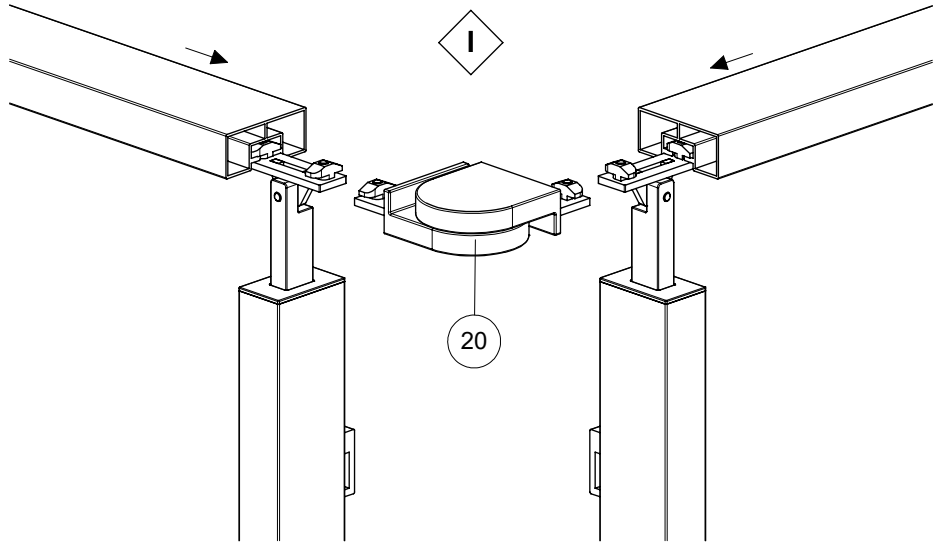
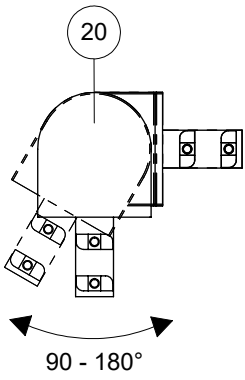




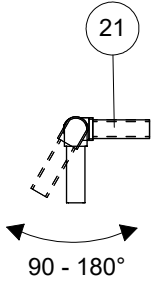




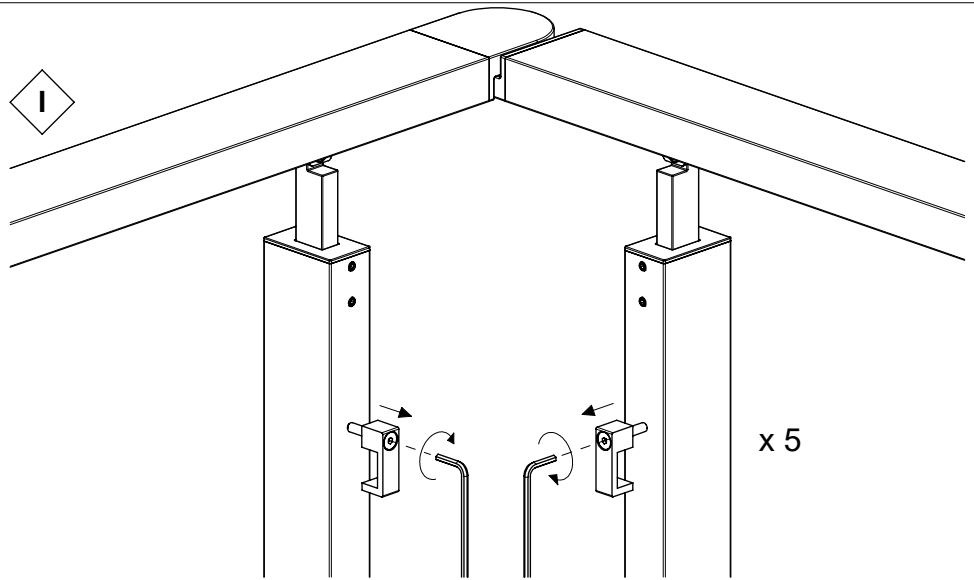
13 OPTION



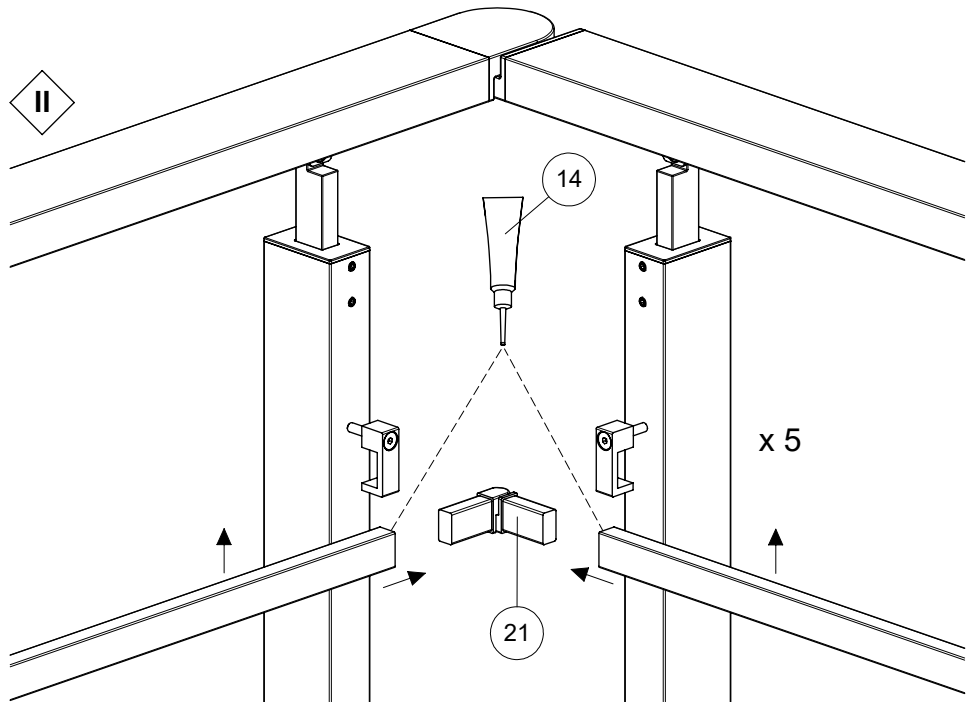
14 OPTION



I



II



III

