







Safety Instructions  

0, 1, 6, 8, 11, 15, 17, 22, 23, 28 


Info Hotline 

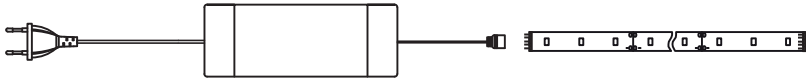

+49 (0) 5041 998 389
 Mon. - Do. 7⁰⁰ - 20⁰⁰
 Fr. 7⁰⁰ - 17⁰⁰

Paulmann Licht GmbH
 Quezinger Feld 2
 31832 Springe
 Germany
 www.paulmann.com


Art.-Nr.: 705.85/86/88/89/77/78/79/80/68/69/71/72/81/82/83/84/706.04/05

(+MA 173) PPN05/15



 1X  1X


705.85/86/88/89/77/78/79/80/706.04/05

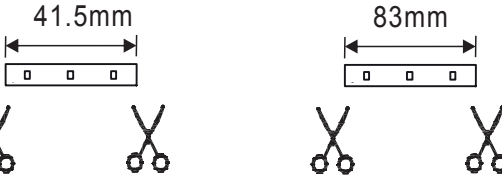
 1X

705.68/69/71/72/81/82/83/84



A

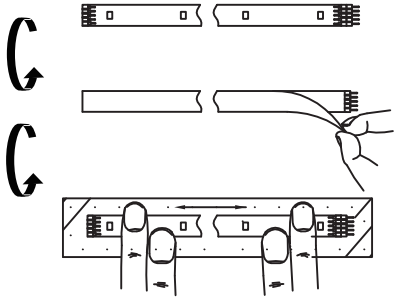


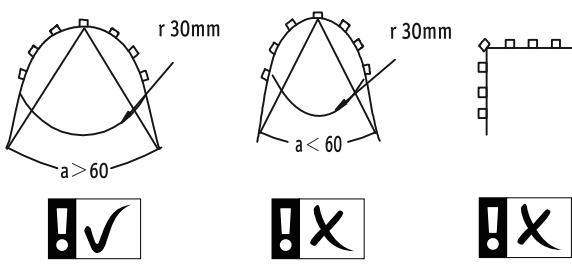


41.5mm 83mm

705.85/86/88/89/68/69/71/72 705.77/78/79/80/81/82/83/84/706.04/05




B






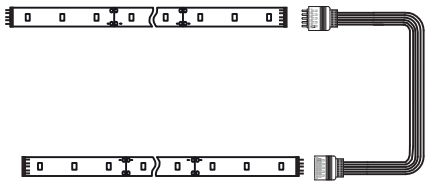
r 30mm r 30mm

a > 60 a < 60

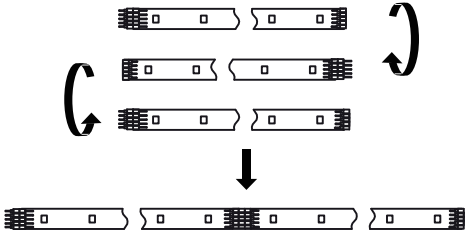
  

C1 C2

 Art.No.705.74/705.75/705.76



C1 C2



D

