







**Safety Instructions**  

0, 1, 6, 8, 11, 15, 17, 22, 23, 28 


**Info Hotline** 

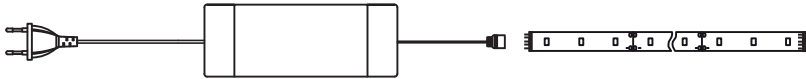

**+49 (0) 5041 998 389**  
 Mon. - Do. 7<sup>00</sup> - 20<sup>00</sup>  
 Fr. 7<sup>00</sup> - 17<sup>00</sup>

Paulmann Licht GmbH  
 Quezinger Feld 2  
 31832 Springe  
 Germany  
 www.paulmann.com


Art.-Nr.: 705.85/86/88/89/77/78/79/80/68/69/71/72/81/82/83/84/706.04/05

(+MA 173) PPN05/15



 1X  1X


705.85/86/88/89/77/78/79/80/706.04/05

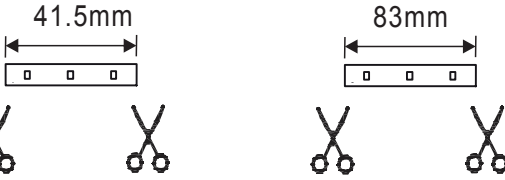
 1X


705.68/69/71/72/81/82/83/84



**A**

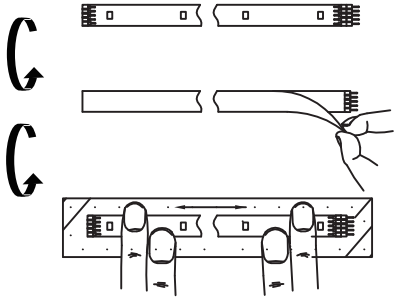


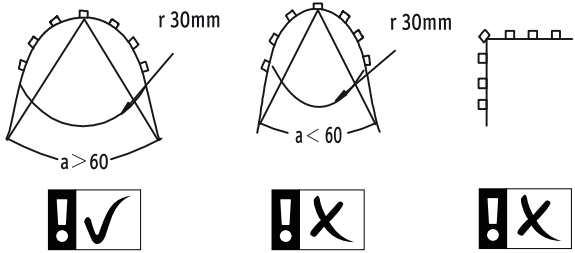
 41.5mm 83mm




705.85/86/88/89/68/69/71/72 705.77/78/79/80/81/82/83/84/706.04/05


**B**

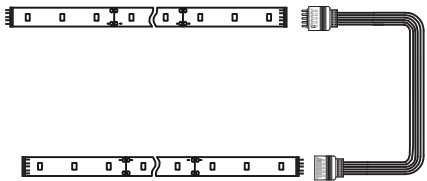


 r 30mm r 30mm a > 60 a < 60

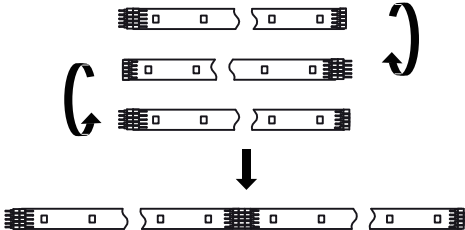


**C1 C2**

 Art.No.705.74/705.75/705.76



**C1 C2**



**D**

