



### Safety Instructions



0,1,2,3,4,6,7,8,9,11,15,  
20,22,26,27



Info Hotline

+49 (0) 5041 998 389

Mon. - Do. 7<sup>00</sup> - 20<sup>00</sup>

Fr. 7<sup>00</sup> - 17<sup>00</sup>



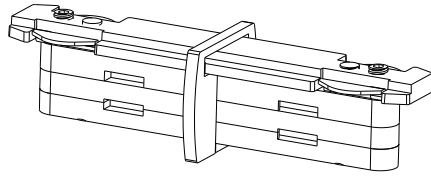
Paulmann Licht GmbH  
Quezinger Feld 2  
31832 Springe/Germany  
www.paulmann.com

Art.-Nr.:

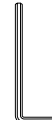
951.40

(+MA 173)

PH 10/13 

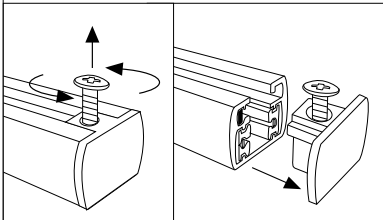
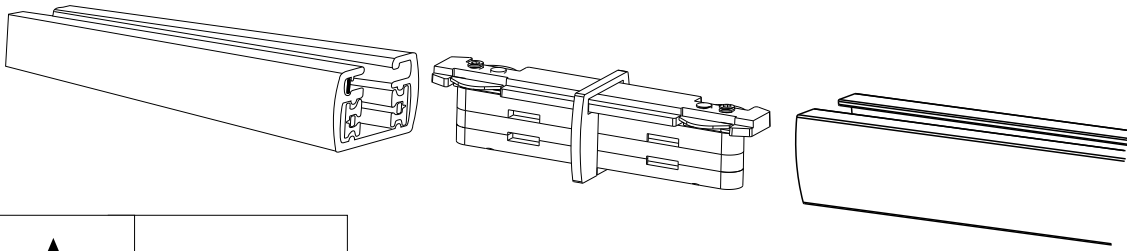


1x



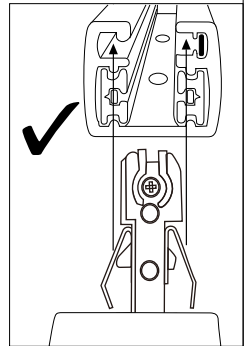
1x

**A**

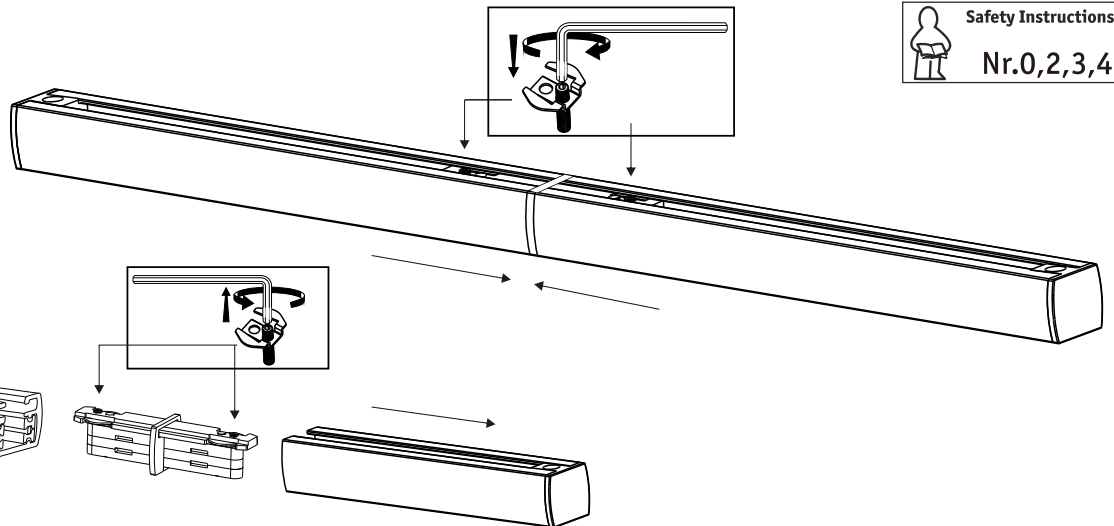


Safety Instructions

Nr.0,2,3,4



**B**



Safety Instructions

Nr.0,2,3,4

