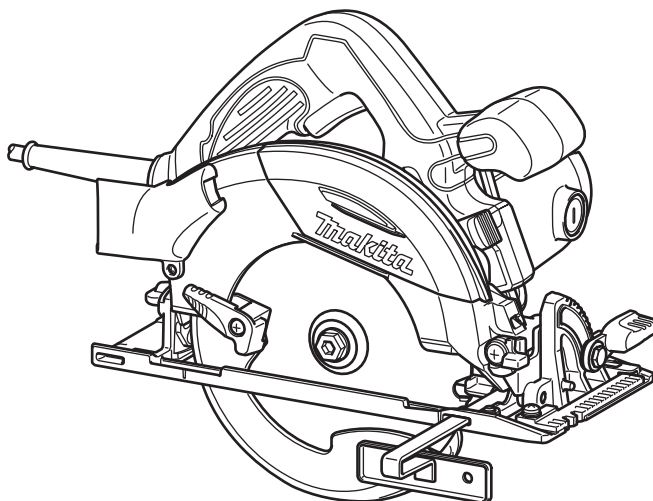
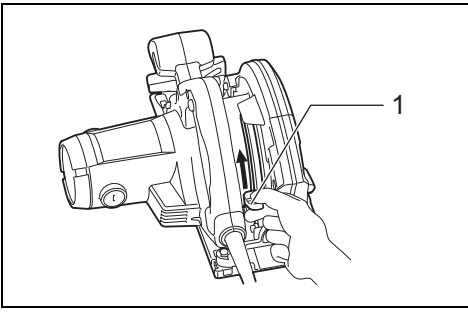




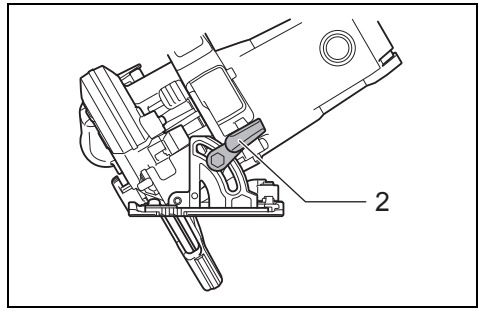
<b>GB</b>	<b>Circular Saw</b>	<b>Instruction Manual</b>
<b>F</b>	<b>Scie Circulaire</b>	<b>Manuel d'instructions</b>
<b>D</b>	<b>Handkreissäge</b>	<b>Betriebsanleitung</b>
<b>I</b>	<b>Sega circolare</b>	<b>Istruzioni per l'uso</b>
<b>NL</b>	<b>Cirkelzaagmachine</b>	<b>Gebruiksaanwijzing</b>
<b>E</b>	<b>Sierra Circular</b>	<b>Manual de instrucciones</b>
<b>P</b>	<b>Serra Circular</b>	<b>Manual de instruções</b>
<b>DK</b>	<b>Rundsav</b>	<b>Brugsanvisning</b>
<b>GR</b>	<b>Δισκοπρίονο</b>	<b>Οδηγίες χρήσεως</b>
<b>TR</b>	<b>Daire testere</b>	<b>Kullanma kılavuzu</b>

**HS6100**  
**HS6101**  
**HS7100**  
**HS7101**

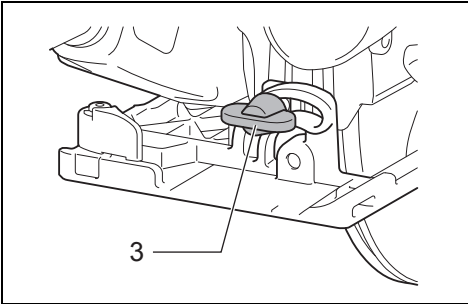




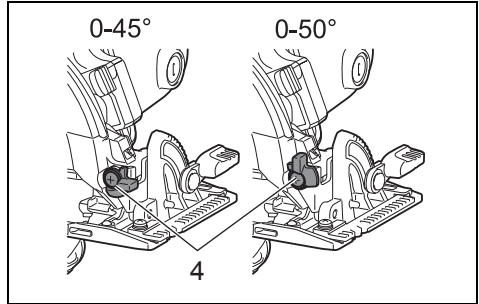
**1** 012459



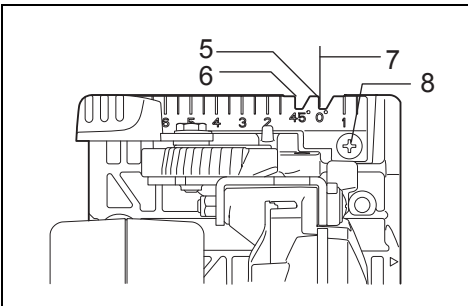
**2** 012472



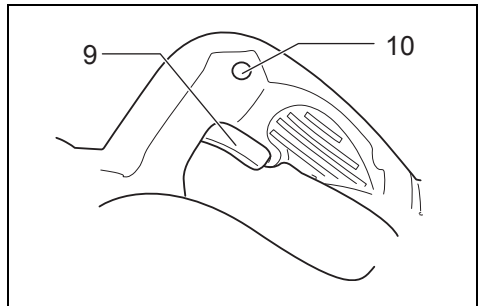
**3** 012476



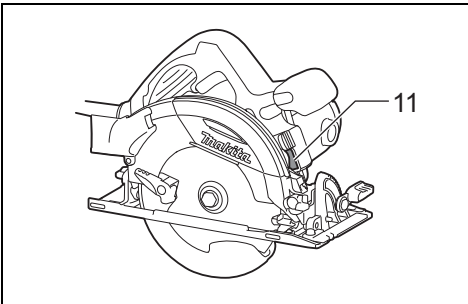
**4** 012473



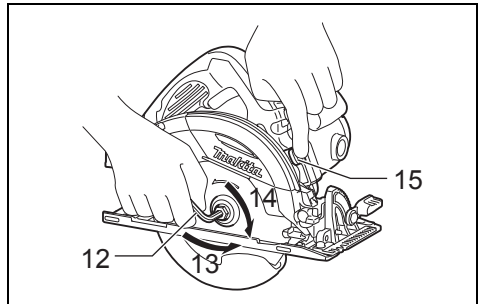
**5** 012460



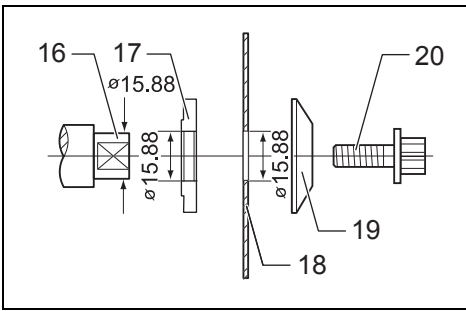
**6** 012461



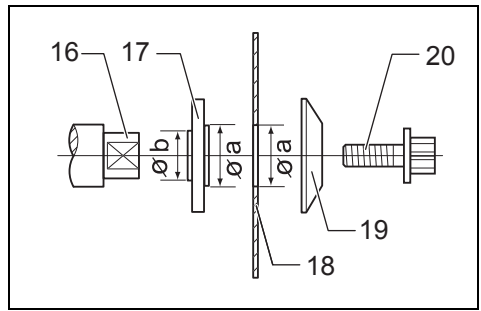
**7** 012471



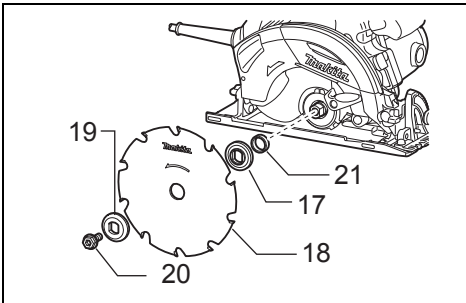
**8** 012463



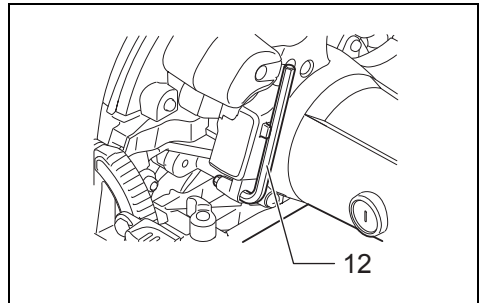
**9** 011231



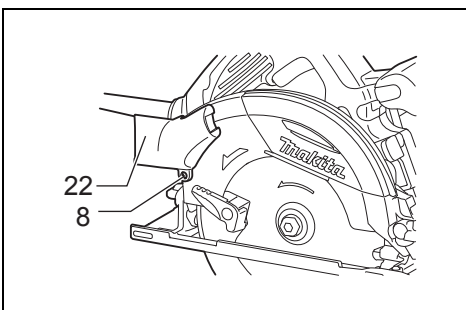
**10** 011230



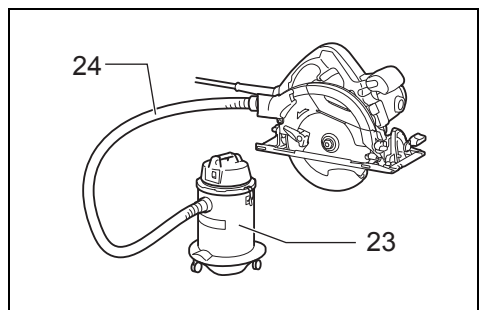
**11** 012464



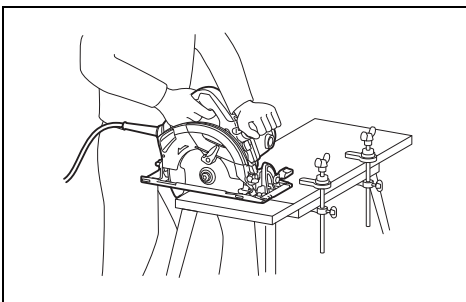
**12** 012462



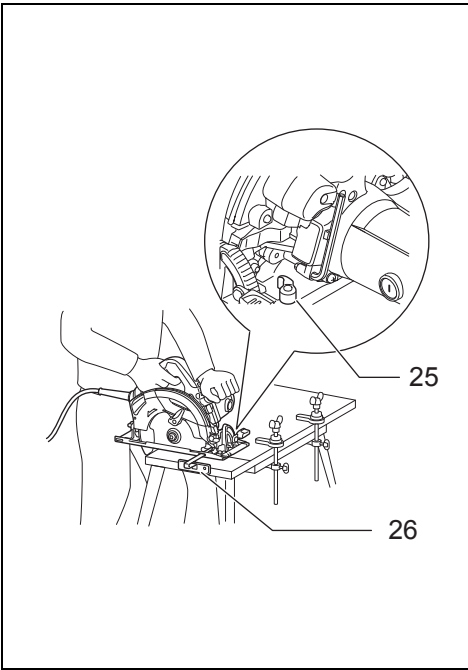
**13** 012469



**14** 012470

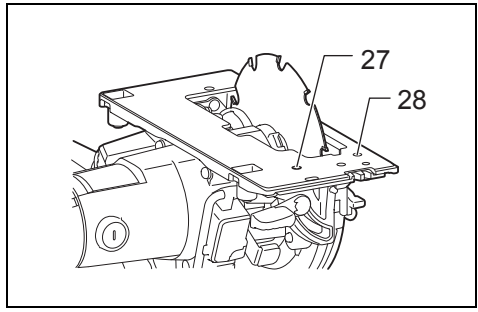


**15** 012465



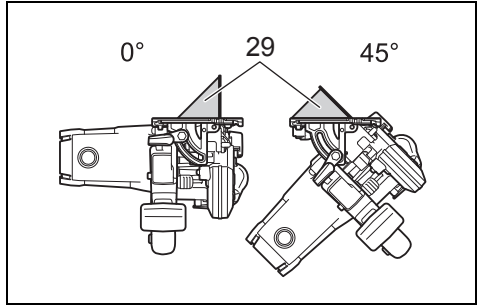
**16**

012466



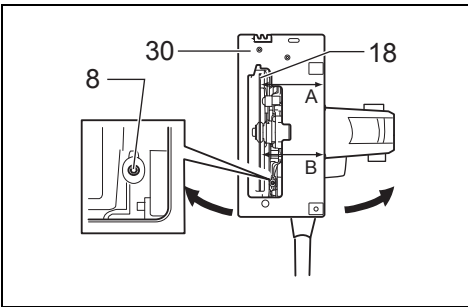
**17**

012467



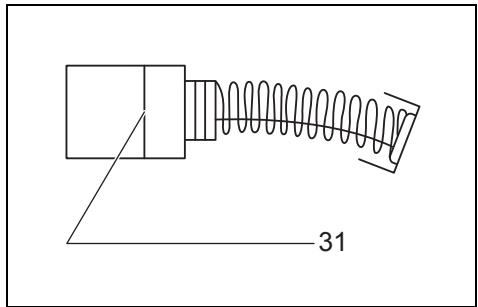
**18**

012474



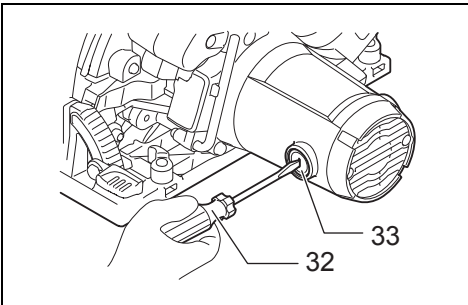
**19**

012475



**20**

001145



**21**

012468

Explanation of general view

- |                    |                   |                            |
|--------------------|-------------------|----------------------------|
| 1 Lever            | 12 Hex wrench     | 23 Vacuum cleaner          |
| 2 Front lever      | 13 Loosen         | 24 Hose                    |
| 3 Rear wing nut    | 14 Tighten        | 25 Clamp lever             |
| 4 Stopper          | 15 Shaft lock     | 26 Rip fence (Guide rule)  |
| 5 0° position      | 16 Mounting shaft | 27 Adjusting screw for 0°  |
| 6 45° position     | 17 Inner flange   | 28 Adjusting screw for 45° |
| 7 Cutting line     | 18 Saw blade      | 29 Triangular rule         |
| 8 Screw            | 19 Outer flange   | 30 Base                    |
| 9 Switch trigger   | 20 Hex bolt       | 31 Limit mark              |
| 10 Lock-off button | 21 Ring           | 32 Screwdriver             |
| 11 Light           | 22 Dust nozzle    | 33 Brush holder cap        |

**SPECIFICATIONS**

Model	HS6100	HS6101	HS7100	HS7101
Blade diameter	165 mm		190 mm	
Max. cutting depth	at 0°		67 mm	
	at 45°		48.5 mm	
	at 50°		43.5 mm	
No load speed (min <sup>-1</sup> )	5,500			
Overall length	297 mm		310 mm	
Net weight	3.7 kg	3.7 kg	4.0 kg	4.0 kg
Safety class	□ /II			

- Due to our continuing program of research and development, the specifications herein are subject to change without notice.
- Specifications may differ from country to country.
- Weight according to EPTA-Procedure 01/2003

GEB013-6

ENE078-1

**Intended use**

The tool is intended for performing lengthways and crossways straight cuts and mitre cuts with angles in wood while in firm contact with the workpiece. With appropriate saw blades, aluminum can also be sawed.

ENF100-1

**For public low-voltage distribution systems of between 220 V and 250 V**

Switching operations of electric apparatus cause voltage fluctuations. The operation of this device under unfavorable mains conditions can have adverse effects to the operation of other equipment. With a mains impedance equal or less than 0.32 Ohms it can be presumed that there will be no negative effects.

The mains socket used for this device must be protected with a fuse or protective circuit breaker having slow tripping characteristics.

GEA010-1

**General Power Tool Safety Warnings**

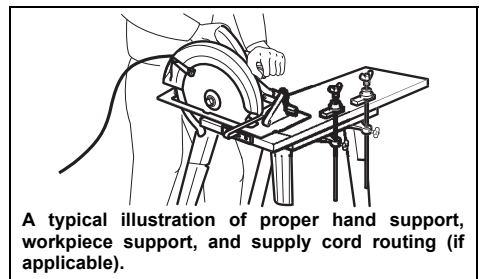
**⚠ WARNING** Read all safety warnings and all instructions. Failure to follow the warnings and instructions may result in electric shock, fire and/or serious injury.

**Save all warnings and instructions for future reference.**

**CIRCULAR SAW SAFETY WARNINGS**

**Cutting procedures**

1. **⚠ DANGER: Keep hands away from cutting area and the blade. Keep your second hand on auxiliary handle, or motor housing.** If both hands are holding the saw, they cannot be cut by the blade.
2. **Do not reach underneath the workpiece.** The guard cannot protect you from the blade below the workpiece.
3. **Adjust the cutting depth to the thickness of the workpiece.** Less than a full tooth of the blade teeth should be visible below the workpiece.
4. **Never hold piece being cut in your hands or across your leg. Secure the workpiece to a stable platform.** It is important to support the work properly to minimize body exposure, blade binding, or loss of control.



000157

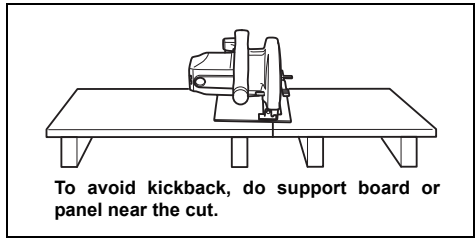
5. **Hold the power tool by insulated gripping surfaces only, when performing an operation where the cutting tool may contact hidden wiring or its own cord.** Contact with a "live" wire will also make exposed metal parts of the power tool "live" and could give the operator an electric shock.
6. **When ripping, always use a rip fence or straight edge guide.** This improves the accuracy of cut and reduces the chance of blade binding.
7. **Always use blades with correct size and shape (diamond versus round) of arbour holes.** Blades that do not match the mounting hardware of the saw will run eccentrically, causing loss of control.
8. **Never use damaged or incorrect blade washers or bolt.** The blade washers and bolt were specially designed for your saw, for optimum performance and safety of operation.

**Kickback causes and related warnings**

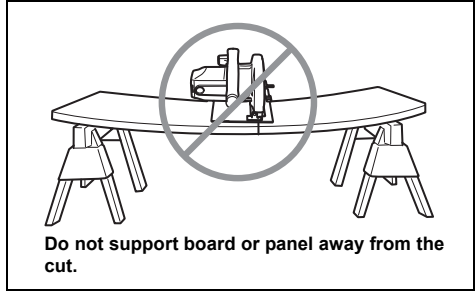
- kickback is a sudden reaction to a pinched, bound or misaligned saw blade, causing an uncontrolled saw to lift up and out of the workpiece toward the operator;
- when the blade is pinched or bound tightly by the kerf closing down, the blade stalls and the motor reaction drives the unit rapidly back toward the operator;
- if the blade becomes twisted or misaligned in the cut, the teeth at the back edge of the blade can dig into the top surface of the wood causing the blade to climb out of the kerf and jump back toward the operator.

Kickback is the result of saw misuse and/or incorrect operating procedures or conditions and can be avoided by taking proper precautions as given below.

9. **Maintain a firm grip with both hands on the saw and position your arms to resist kickback forces. Position your body to either side of the blade, but not in line with the blade.** Kickback could cause the saw to jump backwards, but kickback forces can be controlled by the operator, if proper precautions are taken.
10. **When blade is binding, or when interrupting a cut for any reason, release the trigger and hold the saw motionless in the material until the blade comes to a complete stop. Never attempt to remove the saw from the work or pull the saw backward while the blade is in motion or kickback may occur.** Investigate and take corrective actions to eliminate the cause of blade binding.
11. **When restarting a saw in the workpiece, centre the saw blade in the kerf and check that saw teeth are not engaged into the material.** If saw blade is binding, it may walk up or kickback from the workpiece as the saw is restarted.
12. **Support large panels to minimise the risk of blade pinching and kickback.** Large panels tend to sag under their own weight. Supports must be placed under the panel on both sides, near the line of cut and near the edge of the panel.

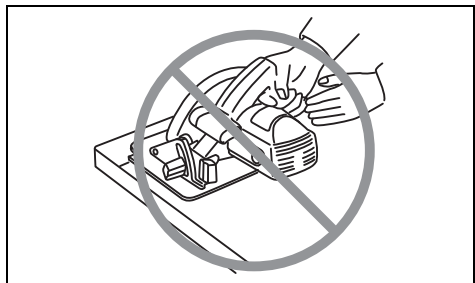


000154



000156

13. **Do not use dull or damaged blades.** Unsharpened or improperly set blades produce narrow kerf causing excessive friction, blade binding and kickback.
14. **Blade depth and bevel adjusting locking levers must be tight and secure before making cut.** If blade adjustment shifts while cutting, it may cause binding and kickback.
15. **Use extra caution when sawing into existing walls or other blind areas.** The protruding blade may cut objects that can cause kickback.
16. **ALWAYS hold the tool firmly with both hands. NEVER place your hand or fingers behind the saw.** If kickback occurs, the saw could easily jump backwards over your hand, leading to serious personal injury.



000194

17. **Never force the saw. Push the saw forward at a speed so that the blade cuts without slowing.** Forcing the saw can cause uneven cuts, loss of accuracy, and possible kickback.

### Lower guard function

18. **Check lower guard for proper closing before each use. Do not operate the saw if lower guard does not move freely and close instantly. Never clamp or tie the lower guard into the open position.** If saw is accidentally dropped, lower guard may be bent. Raise the lower guard with the retracting handle and make sure it moves freely and does not touch the blade or any other part, in all angles and depths of cut.
19. **Check the operation of the lower guard spring. If the guard and the spring are not operating properly, they must be serviced before use.** Lower guard may operate sluggishly due to damaged parts, gummy deposits, or a build-up of debris.
20. **Lower guard may be retracted manually only for special cuts such as “plunge cuts” and “compound cuts.” Raise lower guard by retracting handle and as soon as blade enters the material, the lower guard must be released.** For all other sawing, the lower guard should operate automatically.
21. **Always observe that the lower guard is covering the blade before placing saw down on bench or floor.** An unprotected, coasting blade will cause the saw to walk backwards, cutting whatever is in its path. Be aware of the time it takes for the blade to stop after switch is released.
22. **To check lower guard, open lower guard by hand, then release and watch guard closure.** Also check to see that retracting handle does not touch tool housing. Leaving blade exposed is VERY DANGEROUS and can lead to serious personal injury.

### Additional safety warnings

23. **Use extra caution when cutting damp wood, pressure treated lumber, or wood containing knots.** Maintain smooth advancement of tool without decrease in blade speed to avoid overheating the blade tips.
24. **Do not attempt to remove cut material when blade is moving. Wait until blade stops before grasping cut material.** Blades coast after turn off.
25. **Avoid cutting nails. Inspect for and remove all nails from lumber before cutting.**
26. **Place the wider portion of the saw base on that part of the workpiece which is solidly supported, not on the section that will fall off when the cut is made. As examples, Fig. A illustrates the RIGHT way to cut off the end of a board, and Fig. B the WRONG way. If the workpiece is short or small, clamp it down. DO NOT TRY TO HOLD SHORT PIECES BY HAND!**

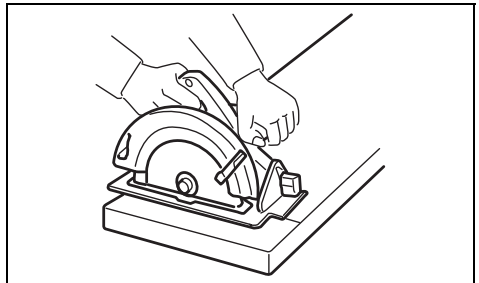


Fig. A

000147

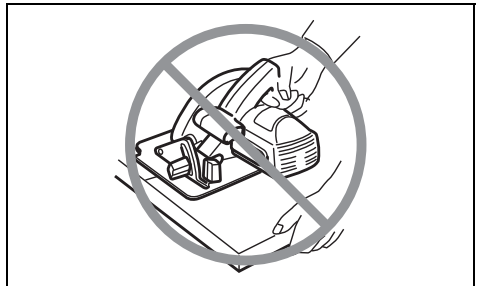
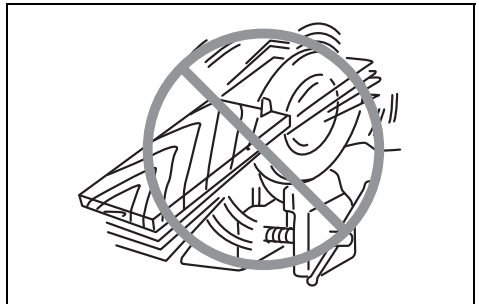


Fig. B

000150

27. **Before setting the tool down after completing a cut, be sure that the lower guard has closed and the blade has come to a complete stop.**
28. **Never attempt to saw with the circular saw held upside down in a vise. This is extremely dangerous and can lead to serious accidents.**



000029

29. **Some material contains chemicals which may be toxic. Take caution to prevent dust inhalation and skin contact. Follow material supplier safety data.**
30. **Do not stop the blades by lateral pressure on the saw blade.**
31. **Always use blades recommended in this manual. Do not use any abrasive wheels.**
32. **Keep blade sharp and clean.** Gum and wood pitch hardened on blades slows saw and increases potential for kickback. Keep blade clean by first removing it from tool, then cleaning it with gum and pitch remover, hot water or kerosene. Never use gasoline.

**33. Wear a dust mask and hearing protection when use the tool.**

**SAVE THESE INSTRUCTIONS.**

**⚠ WARNING:**

**DO NOT let comfort or familiarity with product (gained from repeated use) replace strict adherence to safety rules for the subject product. MISUSE or failure to follow the safety rules stated in this instruction manual may cause serious personal injury.**

**FUNCTIONAL DESCRIPTION**

**⚠ CAUTION:**

- Always be sure that the tool is switched off and unplugged before adjusting or checking function on the tool.

**Adjusting depth of cut (Fig. 1)**

**⚠ CAUTION:**

- After adjusting the depth of cut, always tighten the lever securely.

Loosen the lever on the depth guide and move the base up or down. At the desired depth of cut, secure the base by tightening the lever.

For cleaner, safer cuts, set cut depth so that no more than one blade tooth projects below workpiece. Using proper cut depth helps to reduce potential for dangerous KICKBACKS which can cause personal injury.

**Bevel cutting (Fig. 2, 3 & 4)**

Loosen the front lever and rear wing nut. Set for the desired angle (0° – 50°) by tilting accordingly, then tighten the lever and wing nut securely.

Use the 45° stopper when you do precise 45° angle cutting. Turn the stopper clockwise fully for bevel cut (0° – 45°) and turn it counterclockwise for 0° – 50° bevel cuts.

**Sighting (Fig. 5)**

For straight cuts, align the 0° position on the front of the base with your cutting line. For 45° bevel cuts, align the 45° position with it. The position of the top guide is adjustable.

**Switch action (Fig. 6)**

**⚠ CAUTION:**

- Before plugging in the tool, always check to see that the switch trigger actuates properly and returns to the “OFF” position when released.

To prevent the switch trigger from being accidentally pulled, a lock-off button is provided. To start the tool, push in the lock-off button and pull the switch trigger.

Release the switch trigger to stop.

Do not pull the switch lever hard without pulling the lock-off lever. This can cause switch breakage.

**For Model HS6101, HS7101**

**Lighting the lamp (Fig. 7)**

**⚠ CAUTION:**

- Do not look in the light or see the source of light directly.

The lamp lights up when the tool is plugged. The lamp keeps on lighting until the tool is unplugged.

**NOTE:**

- Use a dry cloth to wipe the dirt off the lens of lamp. Be careful not to scratch the lens of lamp, or it may lower the illumination.
- Do not use gasoline, thinner or the like to clean the lens of lamp. Using such substances will damage the lens.

**ASSEMBLY**

**⚠ CAUTION:**

- Always be sure that the tool is switched off and unplugged before carrying out any work on the tool.

**Removing or installing saw blade (Fig. 8)**

**⚠ CAUTION:**

- Be sure the blade is installed with teeth pointing up at the front of the tool.
- Use only the Makita wrench to install or remove the blade.

To remove the blade, press the shaft lock so that the blade cannot revolve and use the hex wrench to loosen the hex bolt counterclockwise. Then remove the hex bolt, outer flange and blade.

**For tool with the inner flange for a 15.88 mm hole-diameter saw blade (Fig. 9)**

Mount the inner flange with its recessed side facing outward onto the mounting shaft and then place saw blade, outer flange and hex bolt.

**BE SURE TO TIGHTEN THE HEX BOLT CLOCKWISE SECURELY.**

**For tool with the inner flange for other than 15.88 mm hole-diameter saw blade (Fig. 10)**

The inner flange has a certain diameter protrusion on one side of it and a different diameter protrusion on the other side. Choose a correct side on which protrusion fits into the saw blade hole perfectly.

Next, mount the inner flange onto the mounting shaft so that the correct side of protrusion on the inner flange faces outward and then place saw blade and outer flange.

**BE SURE TO TIGHTEN THE HEX BOLT CLOCKWISE SECURELY.**

**⚠ CAUTION:**

- **Make sure that the protrusion “a” on the inner flange that is positioned outside fits into the saw blade hole “a” perfectly.** Mounting the blade on the wrong side can result in the dangerous vibration.

When changing blade, make sure to also clean upper and lower blade guards of accumulated sawdust. Such efforts do not, however, replace the need to check lower guard operation before each use. (Fig. 11)

**Hex wrench storage (Fig. 12)**

When not in use, store the hex wrench as shown in the figure to keep it from being lost.

**Connecting a vacuum cleaner (Fig. 13 & 14)**

When you wish to perform clean cutting operation, connect a Makita vacuum cleaner to your tool. Install the dust nozzle on the tool using the screw. Then connect a hose of the vacuum cleaner to the dust nozzle as shown in the figure.



## OPERATION (Fig. 15)

### CAUTION:

- Be sure to move the tool forward in a straight line gently. Forcing or twisting the tool will result in overheating the motor and dangerous kickback, possibly causing severe injury.
- Always use a front grip and rear handle and firmly hold the tool by both the front grip and rear handle during operations.

Hold the tool firmly. The tool is provided with both a front grip and rear handle. Use both to best grasp the tool. If both hands are holding saw, they cannot be cut by the blade. Set the base on the workpiece to be cut without the blade making any contact. Then turn the tool on and wait until the blade attains full speed. Now simply move the tool forward over the workpiece surface, keeping it flat and advancing smoothly until the sawing is completed.

To get clean cuts, keep your sawing line straight and your speed of advance uniform. If the cut fails to properly follow your intended cut line, do not attempt to turn or force the tool back to the cut line. Doing so may bind the blade and lead to dangerous kickback and possible serious injury. Release switch, wait for blade to stop and then withdraw tool. Realign tool on a new cut line, and start cut again. Attempt to avoid positioning which exposes operator to chips and wood dust being ejected from saw. Use eye protection to help avoid injury.

### Rip fence (guide rule) (Fig. 16)

The handy rip fence allows you to do extra-accurate straight cuts. Simply slide the rip fence up snugly against the side of the workpiece and secure it in position with the screw on the front of the base. It also makes repeated cuts of uniform width possible.

## MAINTENANCE

### CAUTION:

- Always be sure that the tool is switched off and unplugged before attempting to perform inspection or maintenance.
- Never use gasoline, benzine, thinner, alcohol or the like. Discoloration, deformation or cracks may result.

### Adjusting for accuracy of 0° and 45° cut (vertical and 45° cut) (Fig. 17 & 18)

This adjustment has been made at the factory. But if it is off, adjust the adjusting screws with a hex wrench while inspecting 0° or 45° the blade with the base using a triangular rule or square rule, etc.

### Adjusting for parallelism (Fig. 19)

The parallelism between the blade and the base has been factory adjusted. But if it is off, you can adjust it as the following procedure.

Make sure all levers and screws are tightened. Slightly loosen the screw as illustrated. While opening the lower guard, move the rear of base so that the distance A and B are equal. After adjusting, tighten the screw. Make a test cut to get a correct parallelism.

## Replacing carbon brushes (Fig. 20 & 21)

Remove and check the carbon brushes regularly. Replace when they wear down to the limit mark. Keep the carbon brushes clean and free to slip in the holders. Both carbon brushes should be replaced at the same time. Use only identical carbon brushes.

Use a screwdriver to remove the brush holder caps. Take out the worn carbon brushes, insert the new ones and secure the brush holder caps.

After replacing brushes, plug in the tool and break in brushes by running tool with no load for about 10 minutes. Then check the tool while running and electric brake operation when releasing the switch trigger. If the electric brake is not working correctly, have the tool repaired by a Makita service center.

To maintain product SAFETY and RELIABILITY, repairs, any other maintenance or adjustment should be performed by Makita Authorized Service Centers, always using Makita replacement parts.

## OPTIONAL ACCESSORIES

### CAUTION:

- These accessories or attachments are recommended for use with your Makita tool specified in this manual. The use of any other accessories or attachments might present a risk of injury to persons. Only use accessory or attachment for its stated purpose.

If you need any assistance for more details regarding these accessories, ask your local Makita Service Center.

- Saw blades
- Rip fence (Guide rule)
- Guide rail
- Guide rail adaptor
- Hex wrench
- Joint

### NOTE:

- Some items in the list may be included in the tool package as standard accessories. They may differ from country to country.

**Noise**

The typical A-weighted noise level determined according to EN60745:

**Model HS6100, HS6101**

Sound pressure level ( $L_{pA}$ ): 89 dB (A)

Sound power level ( $L_{WA}$ ): 100 dB (A)

Uncertainty (K): 3 dB (A)

**Model HS7100, HS7101**

Sound pressure level ( $L_{pA}$ ): 90 dB (A)

Sound power level ( $L_{WA}$ ): 101 dB (A)

Uncertainty (K): 3 dB (A)

**Wear ear protection**

ENG900-1

**Vibration**

The vibration total value (tri-axial vector sum) determined according to EN60745:

**Model HS6100, HS6101**

Work mode: cutting wood

Vibration emission ( $a_{h, W}$ ): 2.5 m/s<sup>2</sup> or less

Uncertainty (K): 1.5 m/s<sup>2</sup>

Work mode: cutting metal

Vibration emission ( $a_{h, M}$ ): 2.5 m/s<sup>2</sup>

Uncertainty (K): 1.5 m/s<sup>2</sup>

**Model HS7100, HS7101**

Work mode: cutting wood

Vibration emission ( $a_{h, W}$ ): 2.5 m/s<sup>2</sup> or less

Uncertainty (K): 1.5 m/s<sup>2</sup>

Work mode: cutting metal

Vibration emission ( $a_{h, M}$ ): 2.5 m/s<sup>2</sup>

Uncertainty (K): 1.5 m/s<sup>2</sup>

ENG901-1

- The declared vibration emission value has been measured in accordance with the standard test method and may be used for comparing one tool with another.
- The declared vibration emission value may also be used in a preliminary assessment of exposure.

**⚠ WARNING:**

- The vibration emission during actual use of the power tool can differ from the declared emission value depending on the ways in which the tool is used.
- Be sure to identify safety measures to protect the operator that are based on an estimation of exposure in the actual conditions of use (taking account of all parts of the operating cycle such as the times when the tool is switched off and when it is running idle in addition to the trigger time).

**For European countries only****EC Declaration of Conformity****Makita declares that the following Machine(s):**

Designation of Machine:

Circular Saw

Model No./ Type: HS6100, HS6101, HS7100, HS7101

**Conforms to the following European Directives:**

2006/42/EC

They are manufactured in accordance with the following Standard or standardized documents:

EN60745

The Technical file in accordance with 2006/42/EC is available from:

Makita, Jan-Baptist Vinkstraat 2, 3070, Belgium

31.12.2013



Yasushi Fukaya  
Director

Makita, Jan-Baptist Vinkstraat 2, 3070, Belgium

**Descriptif**

1 Levier	13 Desserrier	25 Levier de serrage
2 Levier avant	14 Serrer	26 Garde parallèle (règle de guidage)
3 Écrou à oreilles arrière	15 Verrouillage de l'arbre	27 Vis de réglage 0°
4 Butée	16 Arbre de montage	28 Vis de réglage 45°
5 Position 0°	17 Flasque intérieur	29 Règle triangulaire
6 Position 45°	18 Lame	30 Base
7 Ligne de coupe	19 Flasque extérieur	31 Trait de limite d'usure
8 Vis	20 Boulon hexagonal	32 Tournevis
9 Gâchette	21 Bague	33 Bouchon de porte-charbon
10 Bouton de déverrouillage	22 Raccord à poussières	
11 Lumière	23 Aspirateur	
12 Clé hexagonale	24 Tuyau	

**SPÉCIFICATIONS**

Modèle		HS6100	HS6101	HS7100	HS7101
Diamètre de la lame		165 mm		190 mm	
Profondeur max. de coupe	à 0°	54,5 mm		67 mm	
	à 45°	39,5 mm		48,5 mm	
	à 50°	35,5 mm		43,5 mm	
Vitesse à vide (min <sup>-1</sup> )		5 500			
Longueur totale		297 mm		310 mm	
Poids net		3,7 kg	3,7 kg	4,0 kg	4,0 kg
Classe de sûreté		□/II			

- Étant donné l'évolution constante de notre programme de recherche et de développement, les spécifications contenues dans ce manuel sont sujettes à modification sans préavis.
- Les spécifications peuvent varier suivant les pays.
- Poids selon la procédure EPTA 01/2003

ENE078-1

**Utilisations**

L'outil est conçu pour effectuer des coupes rectilignes en longueur ou en biais, ainsi que pour des coupes d'onglet avec angle dans le bois tout en restant fermement en contact avec la pièce à travailler. Avec des lames appropriées, il est aussi possible de scier l'aluminium.

ENF100-1

**Pour les systèmes de distribution publics à basse tension, entre 220 V et 250 V**

La mise sous tension et hors tension des appareils électriques entraîne des fluctuations de tension. L'utilisation de cet appareil dans des conditions d'alimentation électrique inadéquates peut avoir des effets néfastes sur le fonctionnement des autres équipements. Il ne devrait toutefois pas y avoir d'effets négatifs si l'impédance de l'alimentation est égale ou inférieure à 0,32 Ohms. La prise de courant utilisée pour cet appareil doit être protégée par un fusible ou un disjoncteur de protection à déclenchement lent.

GEA010-1

**Consignes de sécurité générales pour outils électriques**

**⚠ MISE EN GARDE** Veuillez lire toutes les mises en garde et toutes les instructions. Il y a risque de choc électrique, d'incendie et/ou de blessure grave si les mises en garde et les instructions ne sont pas respectées.

**Conservez toutes les mises en garde et instructions pour référence ultérieure.**

GEB013-6

**CONSIGNES DE SÉCURITÉ POUR SCIE CIRCULAIRE**

**Procédures de coupe**

1. **⚠ DANGER** : Gardez vos mains à l'écart de la zone de coupe et de la lame. Laissez votre deuxième main sur la poignée auxiliaire ou le carter du moteur. Vous ne risquerez pas de vous couper les mains si vous les utilisez toutes les deux pour tenir la scie.
2. **Ne placez aucune partie de votre corps sous la pièce à travailler.** Le protecteur ne peut pas vous protéger contre la lame sous la pièce à travailler.
3. **Réglez la profondeur de coupe suivant l'épaisseur de la pièce à travailler.** La partie de la lame visible sous la pièce à travailler doit être moindre qu'une dent de lame complète.

4. **Ne tenez jamais la pièce avec les mains ou contre la jambe. Immobilisez la pièce contre une surface stable.** Il est important que la pièce soit soutenue correctement pour minimiser l'exposition du corps, les pincements de lame et les pertes de maîtrise.

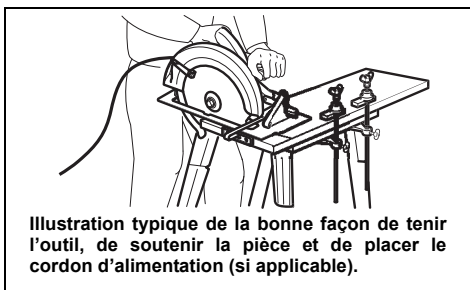


Illustration typique de la bonne façon de tenir l'outil, de soutenir la pièce et de placer le cordon d'alimentation (si applicable).

000157

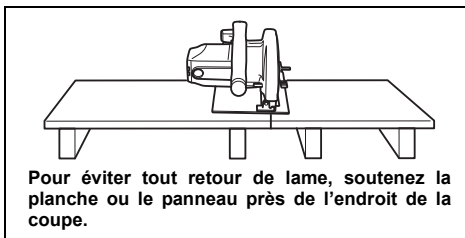
5. **Saisissez l'outil électrique uniquement par ses surfaces de poigne isolées lorsque vous effectuez des travaux au cours desquels l'outil tranchant peut entrer en contact avec des fils cachés ou avec le cordon d'alimentation de l'outil.** Le contact avec un fil sous tension mettra également sous tension les parties métalliques exposées de l'outil électrique, pouvant ainsi causer un choc électrique chez l'utilisateur.
6. **Lors du sciage en long utilisez toujours un garde parallèle ou un guide de coupe rectiligne.** La coupe sera plus précise et cela réduira les risques de pincement de la lame.
7. **Utilisez toujours des lames dont l'orifice central est de taille et de forme (diamantée ou circulaire) appropriée.** Si la lame utilisée n'est pas conçue pour la scie, elle tournera de manière excentrique et vous perdrez la maîtrise de l'outil.
8. **N'utilisez jamais de rondelles ou boulons endommagés ou inadéquats.** Les rondelles et le boulon de la lame ont été conçus exclusivement pour votre scie, afin d'assurer une performance optimale et une utilisation sûre.

#### Causes des chocs en retour et avertissements concernant ces derniers

- le choc en retour est une réaction soudaine de l'outil lorsque la lame est coincée, pincée ou désalignée, et la scie, hors de contrôle, se soulève alors et quitte la pièce en se dirigeant vers l'utilisateur ;
- lorsque la lame se coince ou est pincée par le trait de scie qui se referme sur elle, la lame se bloque et la réaction du moteur entraîne la projection de l'outil à grande vitesse vers l'utilisateur ;
- si la lame se tord ou se désaligne par rapport à la ligne de coupe, les dents arrière risquent de s'enfoncer dans la surface du bois et la lame de quitter le trait de scie en reculant brusquement vers l'utilisateur.

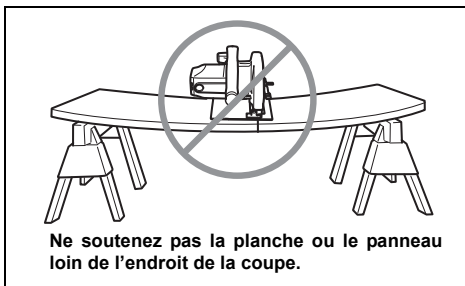
Le choc en retour est le résultat d'une utilisation inadéquate de la scie et/ou de procédures ou conditions d'utilisation incorrectes ; on peut l'éviter en prenant des précautions adéquates, indiquées ci-dessous.

9. **Maintenez une poigne ferme à deux mains sur la scie, et placez vos bras de sorte qu'ils puissent résister à la force du choc en retour. Placez-vous d'un côté ou de l'autre de la lame, jamais dans sa ligne de coupe.** Le choc en retour peut faire bondir la scie vers l'arrière, mais l'utilisateur pourra alors maîtriser la force du choc en retour s'il prend les précautions nécessaires.
10. **Si la lame se pince ou si vous interrompez la coupe pour une raison quelconque, libérez la gâchette et maintenez la scie immobile dans le matériau jusqu'à l'arrêt complet de la lame. N'essayez jamais de retirer la scie de la pièce ou de la faire reculer alors que la lame tourne encore, autrement il y a risque de choc en retour.** Identifiez la cause du pincement de la lame et prenez les mesures correctives pour éliminer ladite cause.
11. **Avant de redémarrer la scie dans la pièce, centrez la lame dans le trait de scie et assurez-vous que les dents ne pénètrent pas dans le matériau.** Si la lame se pince au moment du redémarrage de l'outil, elle risque de remonter jusqu'à l'utilisateur ou de causer un choc en retour.
12. **Placez un dispositif de soutien sous les grands panneaux pour réduire les risques de pincement et de choc en retour.** Les panneaux de grande dimension ont tendance à s'affaisser sous leur propre poids. Des dispositifs de soutien doivent être installés sous le panneau, de chaque côté, près de la ligne de coupe et près des bords du panneau.



Pour éviter tout retour de lame, soutenez la planche ou le panneau près de l'endroit de la coupe.

000154

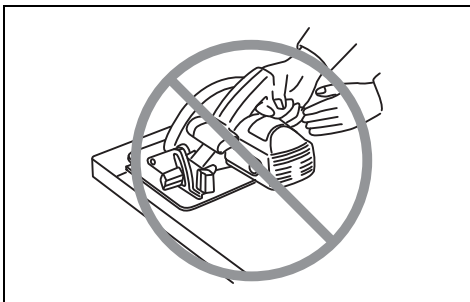


Ne soutenez pas la planche ou le panneau loin de l'endroit de la coupe.

000156

13. **N'utilisez pas des lames émoussées ou endommagées.** Les lames mal affûtées ou mal posées produisent un trait de scie étroit, entraînant une friction excessive, le pincement de la lame et un choc en retour.

14. Les leviers de verrouillage de la profondeur de coupe et du réglage de coupe en biseau doivent être serrés de manière ferme et sûre avant de procéder à la coupe. Il y a risque de pincement et de choc en retour si les réglages de la lame changent pendant la coupe.
15. Soyez tout particulièrement prudent lorsque vous sciez dans un mur ou autre surface opaque. La lame, après avoir traversé la surface, peut entrer en contact avec ces objets et causer un choc en retour.
16. Tenez TOUJOURS l'outil fermement à deux mains. Ne posez JAMAIS une main ou des doigts derrière la lame. En cas de choc en retour, l'outil pourrait facilement bondir vers l'arrière et passer sur votre main, vous infligeant une blessure grave.



000194

17. Ne forcez jamais la scie. Faites avancer la scie à une vitesse permettant à la lame de tourner sans perte de vitesse. Le fait de forcer la scie peut résulter en des coupes inégales, une perte de précision et un choc en retour.

#### Fonctionnement du carter de protection inférieur

18. Avant chaque utilisation, assurez-vous que le carter de protection inférieur est bien fermé. N'utilisez pas la scie si le carter de protection inférieur ne se déplace pas librement et ne se referme pas immédiatement. Évitez d'immobiliser ou fixer le carter de protection inférieur en position ouverte. Le carter de protection inférieur risque de plier si vous échappez la scie par accident. Soulevez le carter de protection inférieur à l'aide de la poignée rétractable et assurez-vous qu'il se déplace librement sans entrer en contact avec la lame ou toute autre partie de la scie, et ce quel que soit l'angle ou la profondeur de coupe.
19. Vérifiez le fonctionnement du ressort du carter de protection inférieur. Le carter de protection et le ressort doivent être réparés avant l'utilisation s'ils ne fonctionnent pas correctement. Le fonctionnement du carter de protection inférieur peut être ralenti par des pièces endommagées, des dépôts gluants ou l'accumulation de débris.
20. Il est possible de rétracter manuellement le carter de protection inférieur uniquement pour les coupes spéciales telles que les "coupes en plongée" et les "coupes combinées". Soulevez le carter de protection inférieur à l'aide de la poignée rétractable et libérez-le dès que la lame entre en contact avec le matériau. Pour tout autre type de coupe, il faut laisser le carter de protection inférieur fonctionner automatiquement.

21. Assurez-vous toujours que le carter de protection inférieur recouvre la lame avant de poser la scie sur l'établi ou le plancher. La scie risque de se déplacer vers l'arrière en coupant tout ce qui se trouve sur sa trajectoire si la lame n'est pas recouverte du protecteur et tourne encore. N'oubliez pas qu'il faut un certain temps avant que la lame ne s'arrête une fois la gâchette libérée.
22. Pour vérifier que le carter de protection inférieur se referme bien, ouvrez-le manuellement et relâchez-le. Assurez-vous également que la poignée rétractable ne touche pas le carter de l'outil. Une lame exposée est TRÈS DANGEREUSE et peut causer de graves blessures.

#### Consignes de sécurité supplémentaires

23. Soyez encore plus prudent pour couper du bois mouillé, du bois traité sous pression ou du bois qui contient des nœuds. Pour éviter que le tranchant de la lame ne surchauffe, faites avancer l'outil à une vitesse régulière sans ralentissement de la vitesse de rotation de la lame.
24. N'essayez pas de retirer le matériau coupé pendant que la lame tourne. Attendez l'arrêt total de la lame avant de saisir le bout de matériau coupé. La lame continue de tourner même une fois le contact coupé.
25. Prenez garde aux clous pendant la coupe. Avant de couper dans le bois de construction, inspectez-le et retirez-en tous les clous.
26. Placez la partie la plus grande du socle de la scie sur la partie de la pièce qui est solidement soutenue, non sur celle qui tombera une fois la coupe terminée. À titre d'exemples, la Fig. A illustre la BONNE façon de couper l'extrémité d'une planche, tandis que la Fig. B illustre la MAUVAISE façon. Si la pièce est courte ou petite, placez-la dans un dispositif de serrage. N'ESSAYEZ PAS DE TENIR LES COURTES PIÈCES UNIQUEMENT AVEC LA MAIN !

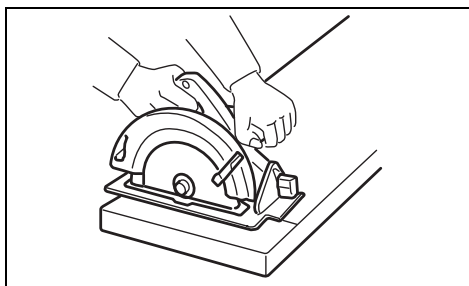


Fig. A

000147

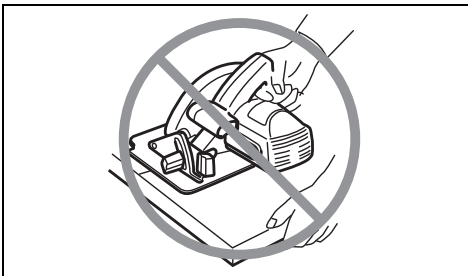
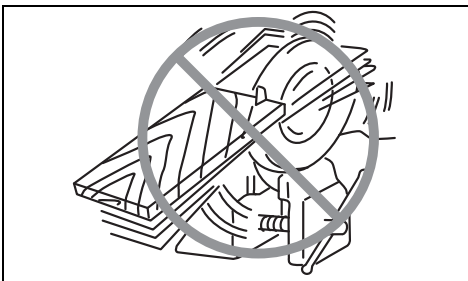


Fig. B

000150

27. Avant de déposer l'outil une fois la coupe terminée, assurez-vous que le carter de protection inférieur est fermé et que la lame est parfaitement immobile.
28. N'essayez jamais de scier en plaçant la scie circulaire à l'envers dans un étau. Cela est très dangereux et peut entraîner un accident grave.



000029

29. Certains matériaux contiennent des substances chimiques qui peuvent être toxiques. Prenez les précautions nécessaires pour ne pas inhaler les poussières qu'ils dégagent et pour éviter tout contact avec la peau. Conformez-vous aux consignes de sécurité du fabricant du matériau.
30. N'appliquez jamais de pression latérale sur la lame pour l'arrêter.
31. Utilisez toujours les lames recommandées dans ce manuel. N'utilisez pas de disques abrasifs.
32. Maintenez la lame bien affûtée et propre. Les dépôts de colle et les copeaux de bois qui durcissent contre la lame ralentissent la scie et entraînent une augmentation des risques de choc en retour. Pour nettoyer la lame, retirez-la d'abord de l'outil, puis nettoyez-la avec un décapant, de l'eau chaude ou du kérosène. N'utilisez jamais d'essence.
33. Portez un masque antipoussières et des protections d'oreilles lorsque vous utilisez l'outil.

## CONSERVEZ CES INSTRUCTIONS.

### ⚠ AVERTISSEMENT :

NE vous laissez PAS tromper (au fil d'une utilisation répétée) par un sentiment d'aisance et de familiarité avec le produit, en négligeant le respect rigoureux des consignes de sécurité qui accompagnent le produit en question. La MAUVAISE UTILISATION de l'outil ou l'ignorance des consignes de sécurité indiquées dans ce manuel d'instructions peut entraîner une blessure grave.

## DESCRIPTION DU FONCTIONNEMENT

### ⚠ ATTENTION :

- Assurez-vous toujours que l'outil est hors tension et débranché avant de l'ajuster ou de vérifier son fonctionnement.

### Réglage de la profondeur de coupe (Fig. 1)

### ⚠ ATTENTION :

- Après avoir ajusté la profondeur de coupe, serrez toujours fermement le levier.

Desserrez le levier du guide de profondeur et déplacez la base vers le haut ou le bas. À la profondeur de coupe désirée, fixez la base en serrant le levier.

Pour obtenir des coupes plus propres et plus sûres, réglez la profondeur de coupe de sorte que pas plus d'une dent de lame ne dépasse sous la pièce. L'utilisation d'une profondeur de coupe adéquate aide à réduire les risques de dangereux CHOCS EN RETOUR et de blessure.

### Coupe en biseau (Fig. 2, 3 et 4)

Desserrez le levier avant et l'écrou à oreilles arrière. Inclinez jusqu'à l'angle désiré (0° – 50°), puis serrez fermement le levier et l'écrou à oreilles.

Utilisez la butée 45° pour appliquer avec précision un angle de coupe de 45°. Tournez la butée complètement dans le sens des aiguilles d'une montre pour une coupe en biseau (0° à 45°), ou dans le sens contraire pour une coupe en biseau de 0° à 50°.

### Visée (Fig. 5)

Pour les coupes rectilignes, alignez sur votre ligne de coupe la position 0° à l'avant de la base. Pour les coupes en biseau de 45°, alignez la position 45° sur votre ligne de coupe. La position du guide supérieur est réglable.

### Interrupteur (Fig. 6)

### ⚠ ATTENTION :

- Avant de brancher l'outil, assurez-vous toujours que la gâchette fonctionne correctement et revient en position d'arrêt une fois relâchée.

Un bouton de déverrouillage est fourni pour prévenir l'activation accidentelle de la gâchette. Pour faire démarrer l'outil, enfoncez le bouton de déverrouillage et appuyez sur la gâchette. Pour arrêter l'outil, relâchez la gâchette.

Ne tirez pas avec force sur le levier d'interrupteur sans tirer aussi sur le levier de déverrouillage. Autrement vous risqueriez de casser l'interrupteur.

### Pour le modèle HS6101, HS7101

### Allumer la lampe (Fig. 7)

### ⚠ ATTENTION :

- Ne regardez pas directement la lumière ou sa source.

La lampe s'allume lorsque l'outil est branché. Elle demeure allumée jusqu'à ce que l'outil soit débranché.

### NOTE :

- Utilisez un chiffon sec pour enlever les saletés sur la lentille de la lampe. Évitez soigneusement de rayer la lentille de la lampe, car cela peut réduire la luminosité.
- N'utilisez pas d'essence, de diluant ou autre produit similaire pour nettoyer la lentille de la lampe. Cela endommagerait la lentille.

## ASSEMBLAGE

### ⚠ ATTENTION :

- Avant d'effectuer toute intervention sur l'outil, assurez-vous toujours qu'il est hors tension et débranché.

### Retrait ou pose de la lame (Fig. 8)

#### ⚠ ATTENTION :

- Assurez-vous que la lame est installée avec les dents orientées vers le haut à l'avant de l'outil.
- Utilisez exclusivement la clé Makita pour poser ou retirer la lame.

Pour retirer la lame, appuyez sur le verrouillage de l'arbre de sorte que la lame ne puisse pas tourner, et utilisez la clé hexagonale pour desserrer le boulon hexagonal en tournant dans le sens contraire des aiguilles d'une montre. Retirez ensuite le boulon hexagonal, le flasque extérieur et la lame.

### Pour outil avec flasque intérieur pour lame à orifice d'un diamètre de 15,88 mm (Fig. 9)

Montez, sur l'arbre de montage, le flasque intérieur avec son côté renforcé orienté vers l'extérieur, puis posez la lame, le flasque extérieur et le boulon hexagonal.

**VOUS DEVEZ SERRER FERMEMENT LE BLOUON HEXAGONAL, EN TOURNANT DANS LE SENS DES AIGUILLES D'UNE MONTRE.**

### Pour outil avec flasque intérieur pour lame à orifice d'un diamètre autre que 15,88 mm (Fig. 10)

Le diamètre de la partie saillante du flasque intérieur n'est pas le même des deux côtés. Choisissez le côté dont la partie saillante s'adapte parfaitement à l'orifice de la lame.

Montez ensuite le flasque intérieur sur l'arbre de montage de sorte que le bon côté de la partie saillante du flasque intérieur soit orienté vers l'extérieur, puis posez la lame et le flasque extérieur.

**VOUS DEVEZ SERRER FERMEMENT LE BLOUON HEXAGONAL, EN TOURNANT DANS LE SENS DES AIGUILLES D'UNE MONTRE.**

#### ⚠ ATTENTION :

- Assurez-vous que la partie saillante "a" du flasque intérieur, placée vers l'extérieur, s'adapte parfaitement à l'orifice "a" de la lame. Il y a risque de vibrations dangereuses si la lame est montée du mauvais côté.

Lorsque vous remplacez la lame, pensez à enlever la sciure accumulée sur les carters de protection supérieur et inférieur. Pensez aussi à vérifier le fonctionnement du carter de protection inférieur avant chaque utilisation. (Fig. 11)

### Rangement de la clé hexagonale (Fig. 12)

Après l'utilisation de la clé hexagonale, rangez-la tel qu'indiqué sur l'illustration pour éviter de la perdre.

### Raccordement d'un aspirateur (Fig. 13 et 14)

Pour effectuer un travail de coupe propre, raccordez un aspirateur Makita à l'outil. Posez le raccord à poussières sur l'outil à l'aide de la vis. Raccordez ensuite le tuyau de l'aspirateur au raccord à poussières, tel qu'illustré sur la figure.

## UTILISATION (Fig. 15)

### ⚠ ATTENTION :

- Assurez-vous de déplacer l'outil doucement vers l'avant, en ligne droite. Le fait de forcer ou de tordre l'outil entraînera une surchauffe du moteur et un dangereux choc en retour, risquant de provoquer une blessure grave.
- Pendant l'utilisation, tenez toujours l'outil fermement par ses poignées avant et arrière.

Tenez l'outil fermement. L'outil est équipé d'une poignée avant et d'une poignée arrière. Utilisez les deux pour une prise en main optimale de l'outil. De plus, lorsque la scie est saisie à deux mains, celles-ci ne risquent pas d'être coupées par la lame. Placez la base de l'outil sur la pièce à couper de sorte que la lame n'entre pas en contact avec quoi que ce soit. Mettez ensuite l'outil sous tension et attendez que la lame atteigne sa pleine vitesse. Déplacez ensuite simplement l'outil vers l'avant sur la surface de la pièce, en le maintenant à plat et en le faisant avancer doucement jusqu'à ce que la coupe soit terminée.

Pour obtenir des coupes propres, maintenez la ligne de coupe bien droite et la vitesse de progression constante. Si la lame dévie de la ligne de coupe prévue, ne tentez pas de modifier la course de l'outil pour le forcer à revenir sur la ligne de coupe. Vous risqueriez de plier la lame et de provoquer un dangereux choc en retour pouvant causer une blessure grave. Relâchez la gâchette, attendez jusqu'à l'arrêt complet de la lame, puis retirez l'outil. Réalignez l'outil sur une nouvelle ligne de coupe, puis poursuivez la coupe. Évitez toute position vous exposant aux copeaux et sciures de bois éjectés par la scie. Portez un protecteur pour la vue afin d'éviter les blessures.

### Garde parallèle (règle de guidage) (Fig. 16)

Un garde parallèle pratique vous permet d'effectuer des coupes rectilignes d'une extrême précision. Faites simplement glisser le garde parallèle le long du côté de la pièce en le maintenant en position à l'aide de la vis de serrage située à l'avant de la base. Cela permet également d'effectuer plusieurs coupes d'une largeur uniforme.

## ENTRETIEN

### ⚠ ATTENTION :

- Assurez-vous toujours que l'outil est hors tension et débranché avant d'y effectuer tout travail d'inspection ou d'entretien.
- N'utilisez jamais d'essence, benzine, diluant, alcool ou autre produit similaire. Cela risquerait de provoquer la décoloration, la déformation ou la fissuration de l'outil.

### Réglage de précision pour les coupes de 0° et 45° (coupes verticales et de 45°) (Fig. 17 et 18)

Ce réglage a été effectué en usine. En cas de désalignement, ajustez les vis de réglage avec une clé hexagonale de façon à placer la lame sur un angle de 0° ou 45° par rapport à la base, à l'aide d'une règle triangulaire, d'une règle quadrangulaire, etc.

## Réglage du parallélisme (Fig. 19)

Le parallélisme de la lame et de la base a été ajusté en usine. En cas de désalignement, procédez comme suit pour rétablir le parallélisme.

Assurez-vous que tous les leviers et toutes les vis sont serrés. Desserrez légèrement la vis tel qu'illustré. Tout en ouvrant le carter de protection inférieur, déplacez l'arrière de la base jusqu'à ce que les distances A et B soient égales. Une fois le réglage terminé, serrez la vis. Effectuez un essai de coupe pour vous assurer que la lame et la base sont bien parallèles.

## Remplacement des charbons (Fig. 20 et 21)

Retirez et vérifiez régulièrement les charbons. Remplacez-les lorsqu'ils sont usés jusqu'au trait de limite d'usure. Maintenez les charbons propres et en état de glisser aisément dans les porte-charbon. Les deux charbons doivent être remplacés en même temps. N'utilisez que des charbons identiques.

Retirez les bouchons de porte-charbon à l'aide d'un tournevis. Enlevez les charbons usés, insérez-en de nouveaux et revissez solidement les bouchons de porte-charbon.

Après avoir remplacé les charbons, branchez l'outil et rodez les charbons en faisant tourner l'outil à vide pendant 10 minutes environ. Vérifiez ensuite le bon fonctionnement de l'outil, et assurez-vous que le frein électrique fonctionne bien lorsque vous libérez la gâchette. Si le frein électrique ne fonctionne pas bien, faites réparer l'outil dans un centre de service après-vente Makita.

Pour maintenir la SÉCURITÉ et la FIABILITÉ du produit, les réparations, travaux d'entretien et autres réglages doivent être effectués dans un centre de service après-vente Makita agréé, exclusivement avec des pièces de rechange Makita.

## ACCESSOIRES EN OPTION

### ⚠ ATTENTION :

- Ces accessoires ou pièces complémentaires sont recommandés pour l'utilisation avec l'outil Makita spécifié dans ce mode d'emploi. L'utilisation de tout autre accessoire ou pièce peut comporter un risque de blessure. N'utilisez les accessoires ou pièces qu'aux fins mentionnées dans le présent mode d'emploi.

Si vous désirez obtenir plus de détails concernant ces accessoires, veuillez contacter le centre de service après-vente Makita le plus près.

- Lames
- Garde parallèle (règle de guidage)
- Rail de guidage
- Adaptateur de rail de guidage
- Clé hexagonale
- Joint

### NOTE :

- Il se peut que certains éléments de la liste soient compris dans l'emballage de l'outil en tant qu'accessoires standard. Ils peuvent varier d'un pays à l'autre.

## Bruit

Niveau de bruit pondéré A typique, déterminé selon EN60745 :

### Modèle HS6100, HS6101

Niveau de pression sonore ( $L_{pA}$ ) : 89 dB (A)  
Niveau de puissance sonore ( $L_{WA}$ ) : 100 dB (A)  
Incertitude (K) : 3 dB (A)

### Modèle HS7100, HS7101

Niveau de pression sonore ( $L_{pA}$ ) : 90 dB (A)  
Niveau de puissance sonore ( $L_{WA}$ ) : 101 dB (A)  
Incertitude (K) : 3 dB (A)

### Porter des protecteurs anti-bruit

ENG900-1

## Vibrations

Valeur totale de vibrations (somme de vecteur triaxial) déterminée selon EN60745 :

### Modèle HS6100, HS6101

Mode de travail : coupe du bois  
Émission de vibrations ( $a_{h, W}$ ) : 2,5 m/s<sup>2</sup> ou moins  
Incertitude (K) : 1,5 m/s<sup>2</sup>

Mode de travail : coupe du métal  
Émission de vibrations ( $a_{h, M}$ ) : 2,5 m/s<sup>2</sup>  
Incertitude (K) : 1,5 m/s<sup>2</sup>

### Modèle HS7100, HS7101

Mode de travail : coupe du bois  
Émission de vibrations ( $a_{h, W}$ ) : 2,5 m/s<sup>2</sup> ou moins  
Incertitude (K) : 1,5 m/s<sup>2</sup>

Mode de travail : coupe du métal  
Émission de vibrations ( $a_{h, M}$ ) : 2,5 m/s<sup>2</sup>  
Incertitude (K) : 1,5 m/s<sup>2</sup>

ENG901-1

- La valeur d'émission de vibrations déclarée a été mesurée conformément à la méthode de test standard et peut être utilisée pour comparer les outils entre eux.
- La valeur d'émission de vibrations déclarée peut aussi être utilisée pour l'évaluation préliminaire de l'exposition.

### ⚠ AVERTISSEMENT :

- L'émission de vibrations lors de l'usage réel de l'outil électrique peut être différente de la valeur d'émission déclarée, suivant la façon dont l'outil est utilisé.
- Les mesures de sécurité à prendre pour protéger l'utilisateur doivent être basées sur une estimation de l'exposition dans des conditions réelles d'utilisation (en tenant compte de toutes les composantes du cycle d'utilisation, comme par exemple le moment de sa mise hors tension, lorsqu'il tourne à vide et le moment de son déclenchement).



**Pour les pays d'Europe uniquement**

**Déclaration de conformité CE**

**Makita déclare que la (les) machine(s) suivante(s) :**

Désignation de la machine :

Scie Circulaire

N° de modèle / Type : HS6100, HS6101, HS7100,  
HS7101

**sont conformes aux directives européennes suivantes :**

2006/42/CE

et sont fabriquées conformément aux normes ou aux documents normalisés suivants :

EN60745

La documentation technique conforme à la norme 2006/42/CE est disponible auprès de :

Makita, Jan-Baptist Vinkstraat 2, 3070, Belgique

31.12.2013



Yasushi Fukaya  
Directeur

Makita, Jan-Baptist Vinkstraat 2, 3070, Belgique

## Übersicht

1 Hebel	12 Inbusschlüssel	23 Staubsauger
2 Vorderer Hebel	13 Lösen	24 Schlauch
3 Hintere Flügelmutter	14 Anziehen	25 Spannhebel
4 Anschlag	15 Spindelarretierung	26 Parallelanschlag (Richtlineal)
5 0°-Position	16 Montageachse	27 Einstellschraube für 0°
6 45°-Position	17 Innenflansch	28 Einstellschraube für 45°
7 Schnittlinie	18 Sägeblatt	29 Einstelldreieck
8 Schraube	19 Außenflansch	30 Grundplatte
9 Ein-Aus-Schalter	20 Sechskantschraube	31 Verschleißgrenze
10 Einschaltsperrknopf	21 Ring	32 Schraubendreher
11 Leuchte	22 Absaugstutzen	33 Kohlebürstenkappe

## TECHNISCHE DATEN

Modell	HS6100	HS6101	HS7100	HS7101
Sägeblattdurchmesser	165 mm		190 mm	
Max. Schnitttiefe	bei 0°	54,5 mm	67 mm	
	bei 45°	39,5 mm	48,5 mm	
	bei 50°	35,5 mm	43,5 mm	
Leerlaufdrehzahl (min <sup>-1</sup> )	5 500			
Gesamtlänge	297 mm		310 mm	
Gewicht	3,7 kg	3,7 kg	4,0 kg	4,0 kg
Sicherheitsklasse	II/III			

- Wir behalten uns vor, Änderungen im Zuge der Entwicklung und des technischen Fortschritts ohne vorherige Ankündigung vorzunehmen.
- Die technischen Daten können von Land zu Land abweichen.
- Gewicht nach EPTA-Verfahren 01/2003

ENE078-1

### Vorgesehene Verwendung

Die Maschine ist für Geradschnitte in Längs- und Querrichtung sowie für schräge Gehrungsschnitte in Holz vorgesehen, wobei sie in festem Kontakt mit dem Werkstück bleibt. Mit geeigneten Sägeblättern kann auch Aluminium gesägt werden.

ENF100-1

### Für öffentliche Niederspannungs-Verteilungssysteme mit einer Spannung zwischen 220 und 250 V

Schaltvorgänge von Elektrogeräten verursachen Spannungsschwankungen. Der Betrieb dieses Gerätes unter ungünstigen Netzstrombedingungen kann sich nachteilig auf den Betrieb anderer Geräte auswirken. Bei einer Netzstromimpedanz von 0,32 Ohm oder weniger ist anzunehmen, dass keine negativen Effekte auftreten. Die für dieses Gerät verwendete Netzsteckdose muss durch eine Sicherung oder einen Schutzschalter mit trägen Auslösungseigenschaften geschützt sein.

### Allgemeine Sicherheitswarnungen für Elektrowerkzeuge

**⚠️ WARNUNG Lesen Sie alle Sicherheitswarnungen und Anweisungen durch.** Eine Missachtung der unten aufgeführten Warnungen und Anweisungen kann zu einem elektrischen Schlag, Brand und/oder schweren Verletzungen führen.

**Bewahren Sie alle Warnungen und Anweisungen für spätere Bezugnahme auf.**

GEA010-1

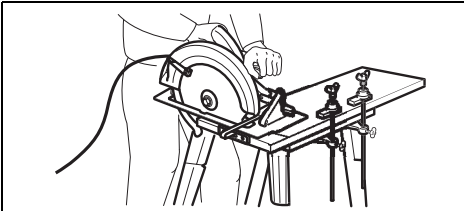
GEB013-6

### SICHERHEITSWARNUNGEN FÜR HANDKREISSÄGE

#### Schneidverfahren

- ⚠️ GEFAHR:** Halten Sie Ihre Hände vom Schnittbereich und dem Sägeblatt fern. Halten Sie mit der zweiten Hand den Zusatzgriff oder das Motorgehäuse. Wenn beide Hände die Säge halten, können sie nicht durch das Sägeblatt verletzt werden.
- Fassen Sie nicht unter das Werkstück.** Die Schutzhaube bietet keinen Schutz auf der Unterseite des Werkstücks.
- Stellen Sie die Schnitttiefe auf die Dicke des Werkstücks ein.** Das Sägeblatt darf nicht mehr als eine Zahnlänge auf der Unterseite überstehen.

4. **Halten Sie das zu schneidende Werkstück niemals in Ihren Händen oder auf den Beinen. Sichern Sie das Werkstück auf einer stabilen Plattform.** Es ist wichtig, das Werkstück sachgemäß abzustützen, um Körperaussetzung, Klemmen des Sägeblatts oder Verlust der Kontrolle auf ein Minimum zu reduzieren.



Typische Abbildung der korrekten Handhaltung, Werkstück-Abstützung und Netzkabel-Zuführung (falls zutreffend).

000157

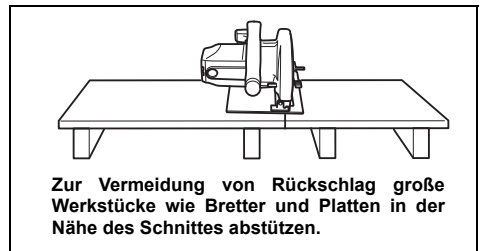
5. **Halten Sie das Elektrowerkzeug nur an den isolierten Griffflächen, wenn Sie Arbeiten ausführen, bei denen die Gefahr besteht, dass verborgene Kabel oder das eigene Kabel kontaktiert werden.** Bei Kontakt mit einem Strom führenden Kabel können die freiliegenden Metallteile des Elektrowerkzeugs ebenfalls Strom führend werden, so dass der Benutzer einen elektrischen Schlag erleiden kann.
6. **Verwenden Sie beim Längssägen stets einen Parallelanschlag oder ein Richtlineal.** Dadurch wird die Schnittgenauigkeit verbessert und die Gefahr von Sägeblatt-Klemmen reduziert.
7. **Verwenden Sie stets Sägeblätter, deren Spindelbohrung die korrekte Größe und Form (rautenförmig oder rund) hat.** Sägeblätter, die nicht genau auf den Montageflansch der Säge passen, rotieren exzentrisch und verursachen den Verlust der Kontrolle.
8. **Verwenden Sie niemals beschädigte oder falsche Sägeblattscheiben oder -schrauben.** Die Sägeblattscheiben und -schrauben sind speziell für Ihre Säge vorgesehen, um optimale Leistung und Betriebssicherheit zu gewährleisten.

#### Rückschlagursachen und damit zusammenhängende Warnungen

- Ein Rückschlag ist eine plötzliche Reaktion auf ein eingeklemmtes, schleifendes oder falsch ausgerichtetes Sägeblatt, der ein unkontrolliertes Anheben und Herausspringen der Säge aus dem Werkstück in Richtung der Bedienungsperson verursacht.
- Wenn das Sägeblatt durch den sich schließenden Sägeschlitz eingeklemmt oder festgehalten wird, bleibt das Sägeblatt stehen, und die Motorreaktion drückt die Säge plötzlich in Richtung der Bedienungsperson zurück.
- Falls das Sägeblatt im Schnitt verdreht oder versetzt wird, können sich die Zähne an der Hinterkante des Sägeblatts in die Oberfläche des Holzstücks bohren, so dass sich das Sägeblatt aus dem Sägeschlitz heraushebt und in Richtung der Bedienungsperson zurückspringt.

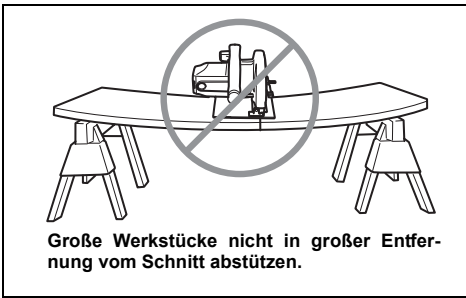
Rückschlag ist das Resultat falscher Handhabung der Säge und/oder falscher Arbeitsverfahren oder Bedingungen und kann durch Anwendung der nachstehenden Vorsichtsmaßnahmen vermieden werden.

9. **Halten Sie die Säge mit beiden Händen fest, und positionieren Sie Ihre Arme so, dass sie die Rückschlagkräfte auffangen. Stellen Sie sich so, dass sich Ihr Körper seitlich vom Sägeblatt befindet, nicht auf gleicher Linie mit dem Sägeblatt.** Rückschlag kann Zurückspringen der Säge verursachen; doch wenn geeignete Vorsichtsmaßnahmen getroffen werden, können die Rückschlagkräfte von der Bedienungsperson unter Kontrolle gehalten werden.
10. **Falls das Sägeblatt klemmt oder der Schnitt aus irgendeinem Grund unterbrochen wird, lassen Sie den Ein-Aus-Schalter los, und halten Sie die Säge bewegungslos im Werkstück, bis das Sägeblatt zum völligen Stillstand kommt. Versuchen Sie niemals, die Säge bei noch rotierendem Sägeblatt vom Werkstück abzunehmen oder zurückzuziehen, weil es sonst zu einem Rückschlag kommen kann.** Nehmen Sie eine Überprüfung vor, und treffen Sie Abhilfemaßnahmen, um die Ursache von Sägeblatt-Klemmen zu beseitigen.
11. **Wenn Sie die Säge bei im Werkstück befindlichem Sägeblatt wieder einschalten, zentrieren Sie das Sägeblatt im Sägeschlitz, und vergewissern Sie sich, dass die Sägezähne nicht mit dem Werkstück im Eingriff sind.** Falls das Sägeblatt klemmt, kann es beim Wiedereinschalten der Säge aus dem Werkstück herauschnellen oder zurückspringen.
12. **Stützen Sie große Platten ab, um die Gefahr von Klemmen und Rückschlägen des Sägeblatts auf ein Minimum zu reduzieren.** Große Platten neigen dazu, unter ihrem Eigengewicht durchzuhängen. Die Stützen müssen beidseitig und in der Nähe der Schnittlinie und in der Nähe der Plattenkante unter der Platte platziert werden.



Zur Vermeidung von Rückschlag große Werkstücke wie Bretter und Platten in der Nähe des Schnittes abstützen.

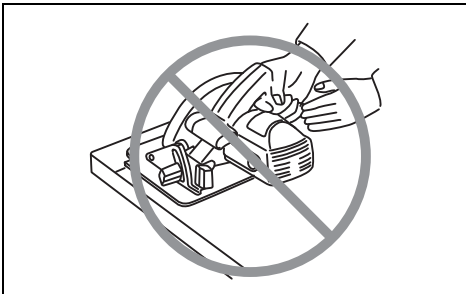
000154



**Große Werkstücke nicht in großer Entfernung vom Schnitt abstützen.**

000156

13. **Verwenden Sie keine stumpfen oder beschädigten Sägeblätter.** Unscharfe oder falsch angebrachte Sägeblätter erzeugen einen schmalen Sägeschlitz, der übermäßige Reibung, Sägeblatt-Klemmen und Rückschlag verursacht. Halten Sie das Sägeblatt scharf und sauber.
14. **Die Sägeblattiepen- und Neigungseinstellungs-Arretierhebel müssen fest angezogen und gesichert sein, bevor der Schnitt ausgeführt wird.** Falls sich die Sägeblatteinstellung während des Sägens verstellt, kann es zu Klemmen und Rückschlag kommen.
15. **Lassen Sie beim Sägen in vorhandene Wände oder andere tote Winkel besondere Vorsicht walten.** Das vorstehende Sägeblatt kann Objekte durchschneiden, die Rückschlag verursachen können.
16. **Halten Sie die Maschine IMMER mit beiden Händen fest. Fassen Sie mit Ihrer Hand oder Ihren Fingern NIEMALS hinter die Säge.** Falls Rückschlag auftritt, besteht die Gefahr, dass die Säge über Ihre Hand zurückspringt und schwere Verletzungen verursacht.



000194

17. **Wenden Sie keine Gewalt auf die Säge an. Schieben Sie die Säge mit einer Geschwindigkeit vor, dass das Sägeblatt nicht abgebremst wird.** Gewaltanwendung kann ungleichmäßige Schnitte, Verlust der Genauigkeit und möglichen Rückschlag verursachen.

#### Funktion der Schutzhaube

18. **Überprüfen Sie die Schutzhaube vor jeder Benutzung auf einwandfreies Schließen. Betreiben Sie die Säge nicht, falls sich die Schutzhaube nicht ungehindert bewegt und sofort schließt. Die Schutzhaube darf auf keinen Fall in der geöffneten Stellung festgeklemmt oder festgebunden werden.** Wird die Säge versehentlich fallen gelassen, kann die Schutzhaube verbogen werden. Heben Sie die Schutzhaube mit dem Rückzugriff an, und vergewissern Sie sich, dass sie sich ungehindert bewegt und bei allen Winkel- und Schnitttiefe-Einstellungen nicht mit dem Sägeblatt oder irgendeinem anderen Teil in Berührung kommt.
19. **Überprüfen Sie die Funktion der Schutzhaubenfeder.** Falls Schutzhaube und Feder nicht einwandfrei funktionieren, müssen die Teile vor der Benutzung gewartet werden. Falls beschädigte Teile, klebrige Ablagerungen oder Schutzansammlung vorhanden sind, kann die Schutzhaube schwergängig werden.
20. **Die Schutzhaube sollte nur für spezielle Schnitte, wie "Tauschnitte" und "Compound-schnitte", manuell zurückgezogen werden. Heben Sie die Schutzhaube mit dem Rückzugriff an, und sobald das Sägeblatt in das Werkstück eindringt, muss die Schutzhaube losgelassen werden.** Für alle anderen Sägearbeiten sollte die Schutzhaube automatisch betätigt werden.
21. **Vergewissern Sie sich stets, dass die Schutzhaube das Sägeblatt verdeckt, bevor Sie die Säge auf der Werkbank oder dem Boden ablegen.** Ein ungeschützt auslaufendes Sägeblatt bewirkt Rückwärtskriechen der Säge und schneidet alles, was sich in seinem Weg befindet. Berücksichtigen Sie die Auslaufzeit des Sägeblatts bis zum Stillstand nach dem Loslassen des Ein-Aus-Schalters.
22. **Öffnen Sie die Schutzhaube probeweise von Hand, und achten Sie beim Loslassen darauf, dass sie sich einwandfrei schließt. Vergewissern Sie sich auch, dass der Rückzugriff nicht mit dem Werkzeughäuse in Berührung kommt.** Die Bloßstellung des Sägeblatts ist SEHR GEFÄHRLICH und kann zu schweren Verletzungen führen.

#### Zusätzliche Sicherheitswarnungen

23. **Lassen Sie beim Schneiden von feuchtem Holz, druckbehandeltem Bauholz oder Astholz besondere Vorsicht walten.** Behalten Sie einen gleichmäßigen Vorschub der Maschine bei, ohne dass sich die Sägeblatt Drehzahl verringert, um Überhitzen der Sägeblattzähne zu vermeiden.
24. **Versuchen Sie nicht, abgeschnittenes Material bei rotierendem Sägeblatt zu entfernen. Warten Sie, bis das Sägeblatt zum Stillstand kommt, bevor Sie abgeschnittenes Material wegnehmen.** Das Sägeblatt läuft nach dem Ausschalten noch nach.
25. **Vermeiden Sie das Schneiden von Nägeln. Überprüfen Sie Bauholz vor dem Schneiden auf Nägel, und entfernen Sie etwaige Nägel.**

26. Setzen Sie den breiteren Teil der Grundplatte auf den fest abgestützten Teil des Werkstücks, nicht auf den Teil, der nach dem Schnitt herunterfällt. Als Beispiel stellt Abb. A dar, wie man das Ende eines Bretts RICHTIG abschneidet, und Abb. B, wie man es FALSCH macht. Kurze oder kleine Werkstücke müssen eingespannt werden. **VERSUCHEN SIE NICHT, KURZE WERKSTÜCKE MIT DER HAND ZU HALTEN!**

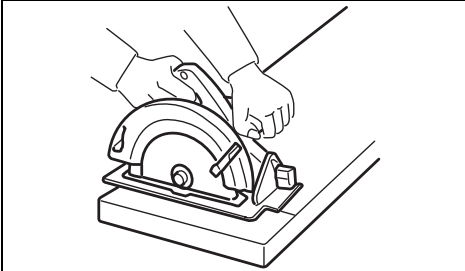


Abb. A

000147

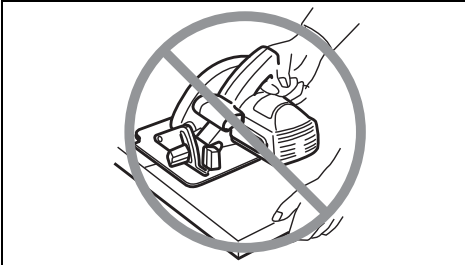
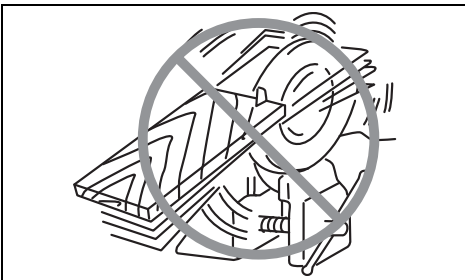


Abb. B

000150

27. Setzen Sie die Maschine nach dem Schneiden erst ab, nachdem sich die Schutzhaube geschlossen hat und das Sägeblatt völlig zum Stillstand gekommen ist.
28. Versuchen Sie niemals, die Handkreissäge zum Sägen verkehrt herum in einen Schraubstock einzuspannen. Dies ist sehr gefährlich und kann zu schweren Unfällen führen.



000029

29. Manche Materialien können giftige Chemikalien enthalten. Treffen Sie Vorsichtsmaßnahmen, um das Einatmen von Arbeitsstaub und Hautkontakt zu verhüten. Befolgen Sie die Sicherheitsdaten des Materialherstellers.
30. Bremsen Sie die Säge nicht durch seitlichen Druck auf das Sägeblatt ab.

31. Verwenden Sie immer die in dieser Anleitung empfohlenen Sägeblätter. Verwenden Sie keine Schleifscheiben.
32. An den Sägeblättern haftendes und verhärtetes Gummi und Harz verlangsamen die Säge und erhöhen die Rückschlaggefahr. Halten Sie das Sägeblatt sauber, indem Sie es von der Maschine abmontieren, und dann mit Gummi- und Harzentferner, heißem Wasser oder Petroleum reinigen. Verwenden Sie niemals Benzin.
33. Tragen Sie bei der Benutzung der Maschine eine Staubmaske und einen Gehörschutz.

## BEWAHREN SIE DIESE HINWEISE SORGFÄLTIG AUF.

### ⚠️ WARNUNG:

Lassen Sie sich **NICHT** durch Bequemlichkeit oder Vertrautheit mit dem Produkt (durch wiederholten Gebrauch erworben) von der strikten Einhaltung der Sicherheitsregeln für das vorliegende Produkt abhalten. **MISSBRAUCH** oder Missachtung der Sicherheitsvorschriften in dieser Anleitung können schwere Verletzungen verursachen.

## FUNKTIONSBESCHREIBUNG

### ⚠️ VORSICHT:

- Vergewissern Sie sich vor jeder Einstellung oder Funktionsprüfung der Maschine stets, dass sie ausgeschaltet und vom Stromnetz getrennt ist.

### Einstellen der Schnitttiefe (Abb. 1)

### ⚠️ VORSICHT:

- Ziehen Sie den Hebel nach der Einstellung der Schnitttiefe stets fest an.

Lösen Sie den Hebel an der Tiefenführung, und ziehen Sie die Grundplatte nach oben oder unten. Arretieren Sie die Grundplatte an der gewünschten Schnitttiefe durch Festziehen des Hebels.

Um sauberere, sicherere Schnitte auszuführen, stellen Sie die Schnitttiefe so ein, dass nicht mehr als ein Sägeblattzahn unter das Werkstück übersteht. Die Einstellung der korrekten Schnitttiefe trägt zu einer Reduzierung gefährlicher RÜCKSCHLÄGE bei, die Körperverletzungen verursachen können.

### Gehrungsschnitt (Abb. 2, 3 u. 4)

Den vorderen Hebel und die hintere Flügelmutter lösen. Den gewünschten Winkel (0° – 50°) durch entsprechendes Neigen einstellen, dann den Hebel und die Flügelmutter sicher festziehen.

Benutzen Sie den 45°-Anschlag, um präzise 45°-Schnitte durchzuführen. Drehen Sie den Anschlag für Gehrungsschnitte (0° – 45°) vollständig im Uhrzeigersinn, und für 0° – 50°-Gehrungsschnitte entgegen dem Uhrzeigersinn.

### Schnittmarkierung (Abb. 5)

Richten Sie für Geradschnitte die 0°-Position auf der Vorderseite der Grundplatte auf die Schnittlinie aus. Richten Sie für 45°-Gehrungsschnitte die 45°-Position auf die Linie aus. Die Position der Oberführung ist einstellbar.

## Schalterfunktion (Abb. 6)

### ⚠ VORSICHT:

- Vergewissern Sie sich vor dem Anschließen der Maschine an das Stromnetz stets, dass der Ein-Aus-Schalter ordnungsgemäß funktioniert und beim Loslassen in die AUS-Stellung zurückkehrt.

Um versehentliche Betätigung des Ein-Aus-Schalters zu verhüten, ist die Maschine mit einem Einschaltsperrknopf ausgestattet. Zum Starten der Maschine den Ein-Aus-Schalter bei gedrücktem Einschaltsperrknopf betätigen. Zum Ausschalten den Ein-Aus-Schalter loslassen.

Betätigen Sie den Schalthebel nicht gewaltsam, ohne den Einschaltsperrknopf hineinzudrücken. Dies kann zu Beschädigung des Schalters führen.

## Für Modell HS6101, HS7101

### Einschalten der Lampe (Abb. 7)

#### ⚠ VORSICHT:

- Blicken Sie nicht direkt in die Lampe oder die Lichtquelle.

Die Lampe leuchtet auf, wenn die Maschine angeschlossen wird. Die Lampe leuchtet so lange, bis die Maschine vom Stromnetz getrennt wird.

#### HINWEIS:

- Wischen Sie Schmutz auf der Lampenlinse mit einem trockenen Tuch ab. Achten Sie sorgfältig darauf, dass Sie die Lampenlinse nicht verkratzen, weil sich sonst die Lichtstärke verringert.
- Verwenden Sie kein Benzin, Verdünnern oder dergleichen, um die Lampenlinse zu reinigen. Die Verwendung solcher Substanzen führt zu einer Beschädigung der Linse.

## MONTAGE

### ⚠ VORSICHT:

- Vergewissern Sie sich vor der Ausführung von Arbeiten an der Maschine stets, dass sie ausgeschaltet und vom Stromnetz getrennt ist.

### Demontieren oder Montieren des Sägeblatts (Abb. 8)

#### ⚠ VORSICHT:

- Vergewissern Sie sich, dass das Sägeblatt so montiert ist, dass die Zähne auf der Vorderseite der Maschine nach oben zeigen.
- Verwenden Sie nur den mitgelieferten Makita-Schlüssel zum Montieren und Demontieren von Sägeblättern.

Zum Demontieren des Sägeblatts die Spindelarrätierung drücken, um das Sägeblatt am Drehen zu hindern, und dann die Sechskantschraube mit dem Inbusschlüssel durch Linksdrehen lösen. Dann Sechskantschraube, Außenflansch und Sägeblatt abnehmen.

### Maschine mit Innenflansch für Sägeblatt-Bohrungsdurchmesser von 15,88 mm (Abb. 9)

Den Innenflansch mit der Vertiefung nach außen auf die Montageachse montieren, und dann Sägeblatt, Außenflansch und Sechskantschraube anbringen.

DIE SECHSKANTSCHRAUBE IM UHRZEIGERSINN FESTZIEHEN.

### Maschine mit Innenflansch für anderen Sägeblatt-Bohrungsdurchmesser als 15,88 mm (Abb. 10)

Der Innenflansch besitzt auf jeder Seite einen Vorsprung mit unterschiedlichen Durchmessern. Wählen Sie die Seite, deren Vorsprung genau in die Sägeblattbohrung passt.

Anschließend den Innenflansch an der Montageachse montieren, so dass die Seite mit dem korrekten Vorsprung des Innenflansches außen liegt, dann Sägeblatt und Außenflansch anbringen.

DIE SECHSKANTSCHRAUBE IM UHRZEIGERSINN FESTZIEHEN.

### ⚠ VORSICHT:

- **Sicherstellen, dass der außen liegende Vorsprung "a" des Innenflansches genau in die Sägeblattbohrung "a" passt.** Die Montage des Sägeblatts auf der falschen Seite kann zu gefährlichen Vibrationen führen.

Säubern Sie bei einem Sägeblattwechsel unbedingt auch die obere und untere Schutzhaube von angesammeltem Sägemehl. Diese Arbeit erübrigt jedoch nicht die Notwendigkeit, die Funktion der unteren Schutzhaube vor jedem Gebrauch zu überprüfen. (Abb. 11)

### Inbusschlüssel-Aufbewahrung (Abb. 12)

Der Inbusschlüssel kann an der in der Abbildung gezeigten Stelle aufbewahrt werden, damit er nicht verloren geht.

### Anschließen eines Staubsaugers (Abb. 13 u. 14)

Um saubere Schneidarbeiten durchzuführen, schließen Sie einen Makita-Staubsauger an Ihre Maschine an. Befestigen Sie den Absaugstutzen mit der Schraube an der Maschine. Schließen Sie dann den Schlauch eines Staubsaugers an den Absaugstutzen an, wie in der Abbildung gezeigt.

## BETRIEB (Abb. 15)

### ⚠ VORSICHT:

- Schieben Sie die Maschine in einer geraden Linie sachte vor. Zu starkes Drücken oder Verdrehen der Maschine führt zu Überhitzen des Motors und gefährlichem Rückschlag, der möglicherweise schwere Verletzungen verursachen kann.
- Benutzen Sie stets Frontgriff und hinteren Griff, und halten Sie die Maschine während der Arbeit sicher an Frontgriff und hinteren Griff.

Halten Sie die Maschine mit festem Griff. Die Maschine ist mit einem Frontgriff und hinteren Griff ausgestattet. Benutzen Sie beide Griffe, um die Maschine optimal zu halten. Wenn beide Hände die Säge halten, können sie nicht durch das Sägeblatt verletzt werden. Setzen Sie die Grundplatte auf das zu schneidende Werkstück auf, ohne dass das Sägeblatt mit dem Werkstück in Berührung kommt. Schalten Sie dann die Maschine ein und warten Sie, bis das Sägeblatt die volle Drehzahl erreicht hat. Schieben Sie die Maschine nun flach und gleichmäßig über die Werkstückoberfläche vorwärts, bis der Schnitt vollendet ist.

Um saubere Schnitte zu erzielen, halten Sie eine gerade Schnittlinie und eine gleichmäßige Vorschubgeschwindigkeit ein. Falls der Schnitt sich nicht genau mit Ihrer beabsichtigten Schnittlinie deckt, versuchen Sie nicht, die Maschine zu drehen oder zur Schnittlinie zurückzudrücken. Dies könnte zu Klemmen des Sägeblatts und gefährlichem Rückschlag führen, was schwere Verletzungen verursachen kann. Lassen Sie den Schalter los, und warten Sie, bis das Sägeblatt zum Stillstand kommt, bevor Sie die Maschine zurückziehen. Richten Sie die Maschine auf eine neue Schnittlinie aus, und beginnen Sie einen neuen Schnitt. Vermeiden Sie eine Positionierung, bei der Sie den von der Säge herausgeschleuderten Spänen und dem Holzstaub ausgesetzt sind. Tragen Sie eine Schutzbrille, um Augenverletzungen zu verhindern.

### **Parallelanschlag (Richtlineal) (Abb. 16)**

Der praktische Parallelanschlag ermöglicht die Ausführung besonders genauer Geradschnitte. Schieben Sie einfach den Parallelanschlag gegen die Seite des Werkstücks, und sichern Sie ihn mit der Schraube an der Vorderseite der Grundplatte. Außerdem ermöglicht er wiederholte Schnitte von gleichförmiger Breite.

## **WARTUNG**

### **⚠ VORSICHT:**

- Denken Sie vor der Durchführung von Überprüfungen oder Wartungsarbeiten stets daran, die Maschine auszuschnallen und vom Stromnetz zu trennen.
- Verwenden Sie auf keinen Fall Benzin, Benzol, Verdünner, Alkohol oder dergleichen. Solche Mittel können Verfärbung, Verformung oder Rissbildung verursachen.

### **Einstellen der Genauigkeit von 0°- und 45°-Schnitten (Vertikalschnitt und 45°-Schnitt) (Abb. 17 u. 18)**

Diese Einstellung ist werksseitig durchgeführt worden. Falls sie jedoch verstellt ist, drehen Sie die Einstellschrauben mit einem Inbusschlüssel, während Sie die 0°- bzw. 45°-Position des Sägeblatts mithilfe eines Einstelldreiecks, Anschlagwinkels usw. ausrichten.

### **Einstellen der Parallelität (Abb. 19)**

Die Parallelität zwischen Sägeblatt und Grundplatte ist werksseitig eingestellt worden. Falls sie jedoch verstellt ist, können Sie sie nach dem folgenden Verfahren einstellen.

Sicherstellen, dass alle Hebel und Schrauben fest angezogen sind. Die Schraube etwas lösen, wie in der Abbildung gezeigt. Während die untere Schutzhaube geöffnet wird, die Hinterkante der Grundplatte verschieben, so dass die Abstände A und B gleich groß sind. Nach der Einstellung die Schraube wieder festziehen. Machen Sie einen Probeschnitt, um die korrekte Parallelität zu erhalten.

### **Wechseln der Kohlebürsten (Abb. 20 u. 21)**

Die Kohlebürsten müssen regelmäßig entfernt und überprüft werden. Wenn sie bis zur Verschleißgrenze abgenutzt sind, müssen sie erneuert werden. Halten Sie die Kohlebürsten stets sauber, damit sie ungehindert in den Haltern gleiten können. Beide Kohlebürsten sollten gleichzeitig erneuert werden. Verwenden Sie nur identische Kohlebürsten.

Drehen Sie die Bürstenhalterkappen mit einem Schraubendreher heraus. Die abgenutzten Kohlebürsten herausnehmen, die neuen einsetzen, und dann die Bürstenhalterkappen wieder eindrehen.

Schalten Sie die Maschine nach dem Auswechsellern der Bürsten ein, um die Bürsten bei im Leerlauf laufender Maschine etwa 10 Minuten lang einzuschleifen. Überprüfen Sie dann die Maschine im Betrieb und die Funktion der elektrischen Bremse, wenn Sie den Ein-Aus-Schalter loslassen. Falls die elektrische Bremse nicht einwandfrei funktioniert, lassen Sie die Maschine von einer Makita-Kundendienststelle reparieren.

Um die SICHERHEIT und ZUVERLÄSSIGKEIT dieses Produkts zu gewährleisten, sollten Reparaturen und andere Wartungs- oder Einstellarbeiten nur von Makita-Kundendienstzentren unter ausschließlicher Verwendung von Makita-Originalersatzteilen ausgeführt werden.

## **SONDERZUBEHÖR**

### **⚠ VORSICHT:**

- Die folgenden Zubehörteile oder Vorrichtungen werden für den Einsatz mit der in dieser Anleitung beschriebenen Makita-Maschine empfohlen. Die Verwendung anderer Zubehörteile oder Vorrichtungen kann eine Verletzungsgefahr darstellen. Verwenden Sie Zubehörteile oder Vorrichtungen nur für ihren vorgesehenen Zweck.

Wenn Sie weitere Einzelheiten bezüglich dieser Zubehörteile benötigen, wenden Sie sich bitte an Ihre Makita-Kundendienststelle.

- Sägeblätter
- Parallelanschlag (Richtlineal)
- Führungsschiene
- Führungsschiennenadapter
- Inbusschlüssel
- Verbindung

### **HINWEIS:**

- Manche Teile in der Liste können als Standardzubehör im Werkzeugsatz enthalten sein. Sie können von Land zu Land unterschiedlich sein.

**Geräusch**

Typischer A-bewerteter Geräuschpegel ermittelt gemäß EN60745:

**Modell HS6100, HS6101**

Schalldruckpegel ( $L_{pA}$ ): 89 dB (A)  
Schalleistungspegel ( $L_{WA}$ ): 100 dB (A)  
Ungewissheit (K): 3 dB (A)

**Modell HS7100, HS7101**

Schalldruckpegel ( $L_{pA}$ ): 90 dB (A)  
Schalleistungspegel ( $L_{WA}$ ): 101 dB (A)  
Ungewissheit (K): 3 dB (A)

**Gehörschutz tragen**

ENG900-1

**Vibration**

Vibrationsgesamtwert (Drei-Achsen-Vektorsumme) ermittelt gemäß EN60745:

**Modell HS6100, HS6101**

Arbeitsmodus: Schneiden von Holz  
Vibrationsemission ( $a_{h, W}$ ): 2,5 m/s<sup>2</sup> oder weniger  
Ungewissheit (K): 1,5 m/s<sup>2</sup>

Arbeitsmodus: Schneiden von Metall  
Vibrationsemission ( $a_{h, M}$ ): 2,5 m/s<sup>2</sup>  
Ungewissheit (K): 1,5 m/s<sup>2</sup>

**Modell HS7100, HS7101**

Arbeitsmodus: Schneiden von Holz  
Vibrationsemission ( $a_{h, W}$ ): 2,5 m/s<sup>2</sup> oder weniger  
Ungewissheit (K): 1,5 m/s<sup>2</sup>

Arbeitsmodus: Schneiden von Metall  
Vibrationsemission ( $a_{h, M}$ ): 2,5 m/s<sup>2</sup>  
Ungewissheit (K): 1,5 m/s<sup>2</sup>

- Der angegebene Vibrationsemissionswert wurde im Einklang mit der Standardprüfmethode gemessen und kann für den Vergleich zwischen Maschinen herangezogen werden.
- Der angegebene Vibrationsemissionswert kann auch für eine Vorbewertung des Gefährdungsgrads verwendet werden.

**⚠️ WARNUNG:**

- Die Vibrationsemission während der tatsächlichen Benutzung der Elektromaschine kann je nach der Benutzungsweise der Maschine vom angegebenen Emissionswert abweichen.
- Identifizieren Sie Sicherheitsmaßnahmen zum Schutz des Benutzers anhand einer Schätzung des Gefährdungsgrads unter den tatsächlichen Benutzungsbedingungen (unter Berücksichtigung aller Phasen des Arbeitszyklus, wie z. B. Ausschalt- und Leerlaufzeiten der Maschine zusätzlich zur Betriebszeit).

ENH101-17

**Nur für europäische Länder****EG-Übereinstimmungserklärung****Makita erklärt, dass die folgende(n) Maschine(n):**

Bezeichnung der Maschine:

Handkreissäge

Modell-Nr./ Typ: HS6100, HS6101, HS7100, HS7101

**den folgenden europäischen Richtlinien entsprechen:**

2006/42/EG

gemäß den folgenden Standards oder standardisierten Dokumenten hergestellt werden:

EN60745

Die technische Akte in Übereinstimmung mit 2006/42/EG ist erhältlich von:

Makita, Jan-Baptist Vinkstraat 2, 3070, Belgien

31.12.2013



Yasushi Fukaya  
Direktor

Makita, Jan-Baptist Vinkstraat 2, 3070, Belgien



**Nome delle parti**

1	Leva	12	Chiave esagonale	24	Tubo
2	Leva anteriore	13	Per allentare	25	Leva di bloccaggio
3	Dado con testa ad alette posteriore	14	Per stringere	26	Guida pezzo (righello guida)
4	Fermo	15	Blocco albero	27	Vite di regolazione per 0°
5	Posizione di 0°	16	Albero di montaggio	28	Vite di regolazione per 45°
6	Posizione di 45°	17	Flangia interna	29	Righello triangolare
7	Linea di taglio	18	Lama sega	30	Base
8	Vite	19	Flangia esterna	31	Segno di limite
9	Interruttore	20	Bullone esagonale	32	Cacciavite
10	Bottone di sblocco	21	Anello	33	Tappo portaspaZZole
11	Luce	22	Bocchetta		
		23	Aspiratore		

**DATI TECNICI**

Modello		HS6100	HS6101	HS7100	HS7101
Diametro lama		165 mm		190 mm	
Massima profondità di taglio	A 0°	54,5 mm		67 mm	
	A 45°	39,5 mm		48,5 mm	
	A 50°	35,5 mm		43,5 mm	
Velocità a vuoto (min <sup>-1</sup> )		5.500			
Lunghezza totale		297 mm		310 mm	
Peso netto		3,7 kg	3,7 kg	4,0 kg	4,0 kg
Classe di sicurezza		□/II			

- Per il nostro programma di ricerca e sviluppo continui, i dati tecnici sono soggetti a modifiche senza preavviso.
- I dati tecnici potrebbero differire a seconda del paese di destinazione del modello.
- Peso in base alla procedura EPTA 01/2003

ENE078-1

**Utilizzo previsto**

Questo utensile è progettato per i tagli diritti in lunghezza e incrociati, e per i tagli obliqui con angoli nel legno durante il saldo contatto con il pezzo. Con le lame appropriate si può anche segare l'alluminio.

ENF100-1

**Per i sistemi della rete pubblica di distribuzione a bassa tensione da 220 V a 250 V**

Le operazioni di accensione e spegnimento degli apparecchi elettrici causano fluttuazioni di tensione. L'utilizzo di questo dispositivo in condizioni inadatte di corrente potrebbe avere effetti negativi sul funzionamento di altri apparecchi. Con una impedenza delle rete uguale o inferiore a 0,32 ohm, si può presumere che non ci siano effetti negativi. La presa di corrente usata per questo dispositivo deve essere protetta da un fusibile o da un interruttore di circuito con basse caratteristiche di scatto.

**Avvertimenti generali per la sicurezza dell'utensile elettrico**

GEA010-1

**⚠️ AVVERTIMENTO** Leggere tutti gli avvertimenti per la sicurezza e le istruzioni. La mancata osservanza degli avvertimenti e delle istruzioni può causare scosse elettriche, incendio e/o gravi incidenti.

**Conservare tutti gli avvertimenti e le istruzioni per riferimenti futuri.**

GEA013-6

**AVVERTIMENTI PER LA SICUREZZA PER LA SEGA CIRCOLARE**

**Procedure di taglio**

1. **⚠️ PERICOLO:** Tenere via le mani dall'area di taglio e dalla lama. Tenere l'altra mano sul manico secondario o alloggiamento del motore. Se si tiene la sega con entrambe le mani, esse non possono essere tagliate dalla lama.
2. **Non mettere le mani sotto il pezzo.** La protezione non protegge dalla lama sotto il pezzo.
3. **Regolare la profondità di taglio secondo lo spessore del pezzo.** Sotto il pezzo dovrebbe essere visibile meno di un intero dente della lama.

4. **Mai tenere in mano o con una gamba il pezzo che viene tagliato. Fissarlo a una piattaforma stabile.** È importante supportare il pezzo correttamente, per minimizzare l'esposizione del corpo, l'incastarsi della lama o la perdita di controllo.

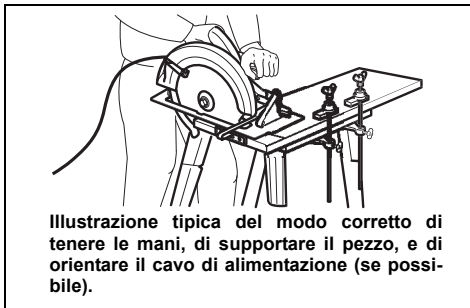


Illustrazione tipica del modo corretto di tenere le mani, di supportare il pezzo, e di orientare il cavo di alimentazione (se possibile).

000157

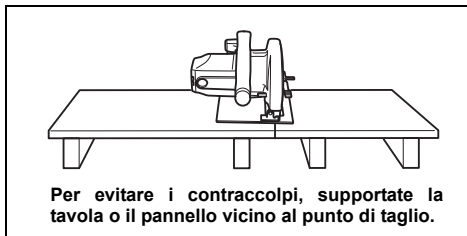
5. **Tenere l'utensile soltanto per le superfici di presa isolate quando si esegue una operazione dove potrebbe fare contatto con fili elettrici nascosti o con il suo stesso cordone elettrico.** Il contatto con un filo elettrico "sotto tensione" mette "sotto tensione" anche le parti metalliche esposte dell'utensile e può dare una scossa elettrica all'operatore.
6. **Per fendere, usare sempre una guida pezzo o una guida per bordi dritti.** Ciò migliora la precisione di taglio e riduce il rischio che la lama rimanga incastrata.
7. **Usare sempre lame (diamantate o rotonde) con le dimensioni e la forma del foro dell'albero corrette.** Le lame con l'hardware di montaggio della sega diverso girano eccentricamente, causando la perdita di controllo.
8. **Mai usare rondelle o bulloni delle lame danneggiati o inadatti.** Le rondelle e i bulloni delle lame sono stati progettati appositamente per le prestazioni ottimali e per la sicurezza d'utilizzo di questo utensile.

#### Cause dei contraccolpi e relativi avvertimenti

- il contraccolpo è la reazione improvvisa di una lama incastrata, bloccata o disallineata, che causa un sollevamento incontrollato della sega fuori dal pezzo e verso l'operatore.
- quando la lama è incastrata o bloccata strettamente dal taglio che si chiude, essa si ferma e la reazione del motore spinge rapidamente indietro l'utensile verso l'operatore.
- se la lama diventa storta o disallineata nel taglio, i denti sul bordo posteriore della lama possono entrare nella superficie superiore del legno facendola uscire dal taglio e rimbalzare indietro verso l'operatore.

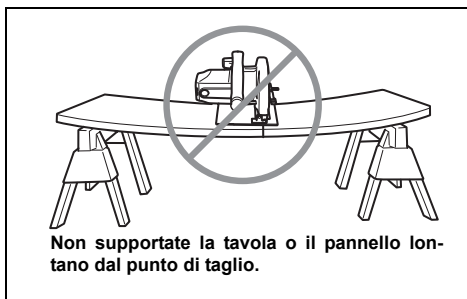
Il contraccolpo è il risultato dell'uso sbagliato e/o scorretto delle procedure o condizioni d'utilizzo, e può essere evitato usando le precauzioni indicate sotto.

9. **Mantenere una presa solida con entrambe le mani sulla sega, e posizionare le braccia in modo da resistere alla forza del contraccolpo. Posizionare il corpo a fianco della lama, e non allineato con essa.** Il contraccolpo potrebbe far saltare indietro la sega, ma la sua forza può essere controllata dall'operatore se vengono prese le precauzioni appropriate.
10. **Se la lama rimane incastrata, oppure se per un qualsiasi motivo si interrompe il taglio, rilasciare l'interruttore e mantenere ferma la sega finché non si arresta completamente. Mai cercare di rimuovere la lama dal pezzo o tirarla indietro mentre si muove, perché altrimenti si potrebbe verificare un contraccolpo.** Controllare e rimediare per eliminare la causa dell'incastamento della lama.
11. **Per riavviare la sega nel pezzo, allineare la lama nel taglio e controllare che i denti della sega non siano dentro il pezzo.** Se la lama è incastrata, potrebbe rialzarsi o rinculare quando la sega viene riavviata.
12. **Supportare i grandi pannelli per minimizzare il rischio che la lama rimanga incastrata e i contraccolpi.** I grandi pannelli tendono ad affossarsi sotto il loro stesso peso. Bisogna mettere dei supporti sotto entrambi i lati del pannello, vicino alla linea di taglio e ai bordi del pannello.



Per evitare i contraccolpi, supportate la tavola o il pannello vicino al punto di taglio.

000154

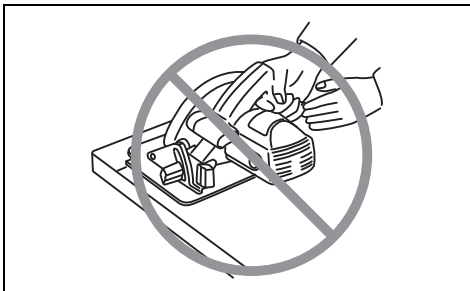


Non supportate la tavola o il pannello lontano dal punto di taglio.

000156

13. **Non usare lame ottuse o danneggiate.** Le lame non affilate o non montate correttamente producono un taglio stretto causando una frizione eccessiva, l'incastamento della lama e contraccolpi.
14. **Le leve di blocco e di regolazione della profondità della lama e dell'angolo di taglio a sbieco devono essere fissate prima del taglio.** Se la regolazione della lama si sposta durante il taglio, potrebbe causare il suo incastrarsi o un contraccolpo.

15. Usare una particolare attenzione quando si segano pareti o altre aree cieche. La lama che sporge potrebbe tagliare oggetti che potrebbero causare un contraccolpo.
16. Tenere **SEMPRE saldamente l'utensile con entrambe le mani. MAI mettere le mani o le dita dietro la sega.** Se si verifica un contraccolpo, la sega potrebbe facilmente rimbalzare indietro sulle mani, causando lesioni personali serie.



000194

17. Mai forzare la sega. Spingere avanti la sega a una velocità tale che la lama tagli senza rallentare. Se si forza la sega, si possono causare tagli irregolari, perdita di precisione e possibili contraccolpi.

#### Funzione della protezione inferiore

18. Controllare sempre che la protezione inferiore si chiuda correttamente prima dell'uso. Non far funzionare la sega se la protezione inferiore non si sposta liberamente e non si chiude istantaneamente. Non si deve mai bloccare o legare la protezione inferiore aperta. Se la sega dovesse cadere, la protezione inferiore potrebbe storcersi. Sollevare la protezione inferiore con il manico retrattile e accertarsi che si muova liberamente e che non tocchi la lama o alcuna altra parte, a tutti gli angoli e profondità di taglio.
19. Controllare il funzionamento della molla della protezione inferiore. Se la protezione e la molla non funzionano correttamente, devono essere riparate prima dell'uso. La protezione inferiore potrebbe funzionare lentamente a causa di parti danneggiate, depositi gommosi o accumulazione di scorie.
20. La protezione inferiore deve essere retratta a mano soltanto per i tagli speciali, come i "tagli con perforazione" o i "tagli misti". Sollevare la protezione inferiore mediante il manico retrattile, e rilasciarla non appena la lama entra nel materiale. Per tutti gli altri tagli, la protezione inferiore dovrebbe funzionare automaticamente.
21. Accertarsi sempre che la protezione inferiore copra la lama prima di posare la sega sul banco di lavoro o sul pavimento. La lama non protetta che gira fa rimbalzare indietro la sega, tagliando tutto ciò che si trova sul suo percorso. Notare il tempo necessario alla lama per fermarsi dopo che si è rilasciato l'interruttore.

22. Per controllare la protezione inferiore, aprirla a mano e rilasciarla poi guardando come si chiude. Controllare anche che il manico retrattile non tocchi l'alloggiamento dell'utensile. È MOLTO PERICOLOSO lasciare la lama esposta, con serio rischio di lesioni personali.

#### Norme aggiuntive per la sicurezza

23. Fare particolarmente attenzione quando si taglia il legno bagnato, il legno compensato o il legno contenente nodi. Mantenere l'avanzamento uniforme dell'utensile senza ridurre la velocità della lama, per evitare il surriscaldamento dei denti della lama.
24. Non cercare di rimuovere il materiale tagliato mentre la lama è in movimento. Aspettare che la lama si sia fermata prima di prendere il materiale tagliato. La lama continua a girare dopo lo spegnimento.
25. Evitare di tagliare i chiodi. Ispezionare il legno e rimuovere tutti i chiodi prima del taglio.
26. Mettere la parte più ampia della base della sega sulla parte del pezzo supportata solidamente, e non sulla sezione che cade quando si è eseguito il taglio. Come esempi, la Fig. A mostra il modo CORRETTO di tagliare l'estremità di una tavola, e la Fig. B il modo SBAGLIATO. Se il pezzo è corto o piccolo, bloccarlo. **NON CERCARE DI TENERE IN MANO I PEZZI PICCOLI!**

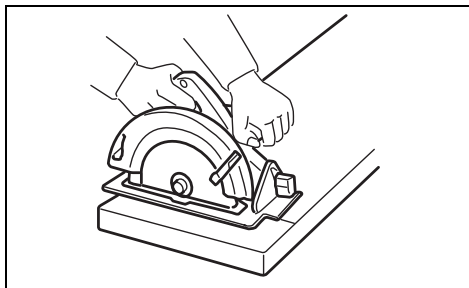


Fig. A

000147

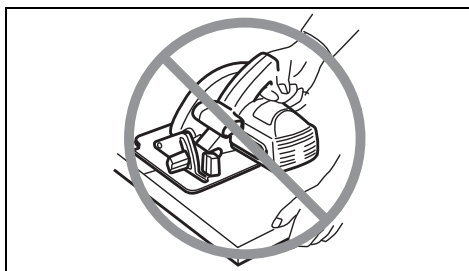
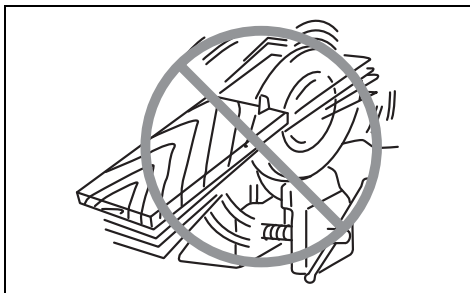


Fig. B

000150

27. Prima di mettere giù l'utensile al completamento di un taglio, accertarsi che la protezione inferiore si sia chiusa e che la lama si sia fermata completamente.

28. Non si deve mai cercare di segare con la sega circolare tenuta capovolta in una morsa. Ciò è estremamente pericoloso e può causare seri incidenti.



000029

29. Alcuni materiali contengono sostanze chimiche che possono essere tossiche. Fare attenzione per evitare l'inalazione della polvere e il contatto con la pelle. Osservare i dati sulla sicurezza del fornitore del materiale.
30. Non fermare la lama esercitando una pressione laterale su di essa.
31. Usare sempre le lame consigliate in questo manuale. Non usare nessun tipo di lama abrasiva.
32. Mantenere la lama affilata e pulita. La colla e la pece di legno indurite sulla lama rallentano la lama e aumentano la possibilità dei contraccolpi. Mantenere pulita la lama togliendola prima dall'utensile, e pulirla poi con un agente di rimozione della colla e pece di legno, acqua calda o cherosene. Mai usare benzina.
33. Usando l'utensile, indossare una mascherina antipolvere e protezioni per l'udito.

## CONSERVATE QUESTE ISTRUZIONI.

### ⚠ AVVERTIMENTO:

NON lasciare che comodità o la familiarità d'utilizzo con il prodotto (acquisita con l'uso ripetuto) sostituisca la stretta osservanza delle norme di sicurezza. L'utilizzo SBAGLIATO o la mancata osservanza delle norme di sicurezza di questo manuale di istruzioni potrebbero causare lesioni serie.

## DESCRIZIONE DEL FUNZIONAMENTO

### ⚠ ATTENZIONE:

- Accertarsi sempre che l'utensile sia spento e staccato dalla presa di corrente prima di regolare o controllare le sue funzioni.

### Regolazione della profondità di taglio (Fig. 1)

#### ⚠ ATTENZIONE:

- Dopo aver regolato la profondità di taglio, stringere sempre saldamente la leva.

Allentare la leva sulla guida di profondità e spostare la base su o giù. Stringere saldamente la leva alla profondità di taglio desiderata.

Per dei tagli più puliti e sicuri, regolare la profondità di taglio in modo che da sotto il pezzo non sporga più di un dente della lama. L'utilizzo della profondità di taglio corretta riduce il rischio di potenziali CONTRACCOLPI pericolosi che possono causare lesioni all'operatore.

### Taglio a sbieco (Fig. 2, 3 e 4)

Allentare la leva anteriore e il dado con testa ad alette posteriore. Regolare l'angolo desiderato ( $0^\circ - 50^\circ$ ) inclinando in modo appropriato, e stringere poi saldamente la leva e il dado con testa ad alette.

Usare il fermo di  $45^\circ$  per eseguire un preciso taglio angolare di  $45^\circ$ . Girare completamente il fermo in senso orario per un taglio a sbieco ( $0^\circ - 45^\circ$ ), e girarlo in senso antiorario per i tagli a sbieco di  $0^\circ - 50^\circ$ .

### Regolazione (Fig. 5)

Per i tagli dritti, allineare sulla linea di taglio la posizione di  $0^\circ$  sul davanti della base. Per i tagli a sbieco di  $45^\circ$ , allineare su di essa la posizione di  $45^\circ$ . La posizione della guida superiore è regolabile.

### Funzionamento dell'interruttore (Fig. 6)

#### ⚠ ATTENZIONE:

- Prima di collegare l'utensile alla presa di corrente, controllare sempre che l'interruttore funzioni correttamente e che torni sulla posizione "OFF" quando viene rilasciato.

L'utensile è provvisto del bottone di sblocco per evitare che l'interruttore venga schiacciato accidentalmente. Per avviare l'utensile, spingere dentro il bottone di sblocco e schiacciare l'interruttore. Rilasciare l'interruttore per fermarlo.

Non tirare con forza la leva interruttore senza aver prima tirato la leva di sblocco. Ciò potrebbe causare la rottura dell'interruttore.

### Per il modello HS6101, HS7101

### Accensione della lampadina (Fig. 7)

#### ⚠ ATTENZIONE:

- Non guardare la luce o guardare direttamente la sorgente della luce.

La lampadina si accende quando si collega l'utensile alla presa di corrente. La lampadina rimane accesa finché non si scollega l'utensile dalla presa di corrente.

#### NOTA:

- Usare un panno asciutto per togliere lo sporco dalla lente della lampadina. Fare attenzione a non graffiare la lente della lampadina, perché ciò potrebbe ridurre l'illuminazione.
- Per pulire la lente della lampadina non si devono usare benzina, solventi o sostanze simili. Tali sostanze danneggiano la lente.

## MONTAGGIO

### ⚠ ATTENZIONE:

- Accertarsi sempre che l'utensile sia spento e staccato dalla presa di corrente prima di qualsiasi intervento su di esso.

### Rimozione o installazione della lama della sega (Fig. 8)

#### ⚠ ATTENZIONE:

- Accertarsi di installare la lama con i denti rivolti in alto sulla parte anteriore dell'utensile.
- Per l'installazione o la rimozione della lama si deve usare soltanto la chiave Makita.

Per rimuovere la lama, premere il blocco albero in modo che la lama non possa girare e usare la chiave esagonale per allentare in senso antiorario il bullone esagonale. Rimuovere poi il bullone esagonale, la flangia esterna e la lama.

#### **Utensile con flangia interna per lama sega con foro di 15,88 mm di diametro (Fig. 9)**

Montare sull'albero di montaggio la flangia interna con il lato incavato rivolto all'esterno, e sistemare poi la lama sega, la flangia esterna e il bullone esagonale. **ACCERTARSI DI STRINGERE SALDAMENTE IL BULLONE ESAGONALE IN SENSO ORARIO.**

#### **Utensile con flangia interna per lama sega con un diametro foro diverso da 15,88 mm (Fig. 10)**

La flangia interna ha una sporgenza di un certo diametro su un lato di essa, e una sporgenza di un diametro diverso sull'altro lato. Selezionare il lato corretto in cui la sporgenza entri perfettamente nel foro della lama sega. Montare poi la flangia interna sull'albero di montaggio in modo che il lato corretto della sporgenza sulla flangia interna sia rivolto all'esterno, e sistemare poi la lama sega e la flangia esterna. **ACCERTARSI DI STRINGERE SALDAMENTE IL BULLONE ESAGONALE IN SENSO ORARIO.**

#### **⚠ATTENZIONE:**

• **Accertarsi che la sporgenza "a" sulla flangia interna che è posizionata all'esterno entri perfettamente nel foro "a" della lama sega.** Il montaggio della lama sul lato sbagliato può causare una vibrazione pericolosa.

Quando si cambia la lama, togliere sempre la segatura accumulata sulle protezioni superiore e inferiore della lama. Ciò non significa però che non è necessario controllare il funzionamento della protezione inferiore prima di ogni utilizzo. (Fig. 11)

#### **Conservazione della chiave esagonale (Fig. 12)**

Quando non viene usata, riporre la chiave esagonale come mostrato nella illustrazione per evitare di perderla.

#### **Collegamento di un aspiratore (Fig. 13 e 14)**

Se si desidera eseguire delle operazioni di taglio pulite, collegare all'utensile un aspiratore Makita. Installare la bocchetta sull'utensile usando la vite. Collegare poi il tubo dell'aspiratore alla bocchetta, come mostrato nella illustrazione.

## **FUNZIONAMENTO (Fig. 15)**

#### **⚠ATTENZIONE:**

- Accertarsi di spostare delicatamente l'utensile in avanti in linea retta. Sforzando o storcendo l'utensile, si possono causare il surriscaldamento del motore e pericolosi contraccolpi, con conseguente possibilità di seri incidenti.
- Usare sempre una impugnatura anteriore e un manico posteriore, e tenere saldamente l'utensile per entrambi l'impugnatura anteriore e il manico posteriore durante il lavoro.

Tenere saldamente l'utensile. Esso è provvisto sia di una impugnatura anteriore che di un manico posteriore. Usare entrambe le mani per tenere meglio l'utensile. Se si tiene l'utensile con entrambe le mani, esse non possono essere tagliate dalla lama. Mettere la base sul pezzo da tagliare senza che la lama faccia alcun contatto. Avviare poi l'utensile e aspettare che la lama abbia raggiunto la velocità massima. Spostare poi semplicemente l'utensile in avanti sopra la superficie del pezzo, mantenendolo piatto e facendolo avanzare scorrevolmente fino al completamento del taglio.

Per ottenere dei tagli puliti, mantenere dritta la linea di taglio e uniforme la velocità di avanzamento. Se l'utensile non riesce a mantenersi correttamente sulla linea di taglio desiderata, non si deve cercare di riportarlo forzatamente sulla linea di taglio. Ciò potrebbe far incastrare la lama e causare pericolosi contraccolpi con possibilità di seri incidenti. Rilasciare l'interruttore, aspettare che la lama si fermi e ritirare poi l'utensile. Riallineare l'utensile sulla nuova linea di taglio e cominciare di nuovo il taglio. Cercare di evitare una posizione che esponga l'operatore ai trucioli e alla segatura espulsi dalla sega. Come aiuto per evitare lesioni, indossare occhiali di protezione.

#### **Guida pezzo (righello guida) (Fig. 16)**

La comoda guida pezzo permette di fare dei tagli dritti con extra precisione. Spingere semplicemente la guida pezzo contro il fianco del pezzo e fissarla in posizione con la vite sul davanti della base. Essa permette anche di fare ripetutamente tagli di larghezza uniforme.

## **MANUTENZIONE**

#### **⚠ATTENZIONE:**

- Accertarsi sempre che l'utensile sia spento e staccato dalla presa di corrente prima di qualsiasi intervento di ispezione o di manutenzione.
- Mai usare benzina, benzene, solventi, alcol e altre sostanze simili. Potrebbero causare scolorimenti, deformazioni o crepe.

#### **Regolazione per la precisione del taglio di 0° e di 45° (taglio verticale e di 45°) (Fig. 17 e 18)**

Questa regolazione è stata operata in fabbrica. Ma se non è corretta, regolare le viti di regolazione con una chiave esagonale ispezionando gli 0° o 45° della lama con la base usando un righello triangolare o righello quadrato, ecc.

### Regolazione del parallelismo (Fig. 19)

Il parallelismo tra la lama e la base è stato regolato in fabbrica. Ma se non è corretto, può essere regolato con il procedimento seguente.

Accertarsi che tutte le leve e le viti siano strette saldamente. Allentare leggermente la vite come illustrato. Aprendo la protezione inferiore, spostare il retro della base in modo che le distanze A e B siano uguali. Dopo la regolazione, stringere la vite. Fare un taglio di prova per verificare che il parallelismo sia corretto.

### Sostituzione delle spazzole di carbone

#### (Fig. 20 e 21)

Rimuovere e controllare regolarmente le spazzole di carbone. Sostituirle se sono usurate fino al segno di limite. Mantenere sempre le spazzole di carbone pulite e facili da inserire nei portaspazzole. Le spazzole di carbone devono essere sostituite entrambe allo stesso tempo. Usare soltanto spazzole di carbone identiche.

Usare un cacciavite per rimuovere i tappi dei portaspazzole. Estrarre le spazzole di carbone usurate, inserire quelle nuove e fissare i tappi dei portaspazzole.

Dopo la sostituzione delle spazzole, collegare l'utensile alla presa di corrente e rodare le spazzole facendo funzionare l'utensile senza carico per circa 10 minuti. Controllare poi l'utensile mentre funziona e il funzionamento del freno elettrico quando si rilascia l'interruttore. Se il freno elettrico non funziona correttamente, far riparare l'utensile da un centro di assistenza Makita.

Per mantenere la SICUREZZA e l'AFFIDABILITÀ del prodotto, le riparazioni, la manutenzione o le regolazioni dovrebbero essere eseguite da un centro di assistenza Makita autorizzato, sempre con i pezzi di ricambio di Makita.

### ACCESSORI OPZIONALI

#### ⚠ ATTENZIONE:

- Per l'utensile specificato in questo manuale, si consigliano questi accessori o ricambi. L'utilizzo di altri accessori o ricambi può costituire un pericolo. Usare soltanto gli accessori o ricambi specificati per il loro utilizzo.

Per maggiori dettagli e l'assistenza, rivolgersi al Centro Assistenza Makita locale.

- Lama sega
- Guida pezzo (righello guida)
- Rotaia guida
- Adattatore rotaia guida
- Chiave esagonale
- Giunto

#### NOTA:

- Alcuni articoli nella lista potrebbero essere inclusi nell'imballo dell'utensile come accessori standard. Essi potrebbero differire da Paese a Paese.

### Rumore

Il tipico livello di rumore pesato A determinato secondo EN60745:

#### Modello HS6100, HS6101

Livello pressione sonora ( $L_{pA}$ ): 89 dB (A)

Livello potenza sonora ( $L_{WA}$ ): 100 dB (A)

Incertezza (K): 3 dB (A)

#### Modello HS7100, HS7101

Livello pressione sonora ( $L_{pA}$ ): 90 dB (A)

Livello potenza sonora ( $L_{WA}$ ): 101 dB (A)

Incertezza (K): 3 dB (A)

#### Indossare i paraorecchi

ENG900-1

### Vibrazione

Il valore totale di vibrazione (somma vettore triassiale) determinato secondo EN60745:

#### Modello HS6100, HS6101

Modalità di lavoro: taglio del legno

Emissione di vibrazione ( $a_{h, w}$ ): 2,5 m/s<sup>2</sup> o meno

Incertezza (K): 1,5 m/s<sup>2</sup>

Modalità di lavoro: taglio del metallo

Emissione di vibrazione ( $a_{h, M}$ ): 2,5 m/s<sup>2</sup>

Incertezza (K): 1,5 m/s<sup>2</sup>

#### Modello HS7100, HS7101

Modalità di lavoro: taglio del legno

Emissione di vibrazione ( $a_{h, w}$ ): 2,5 m/s<sup>2</sup> o meno

Incertezza (K): 1,5 m/s<sup>2</sup>

Modalità di lavoro: taglio del metallo

Emissione di vibrazione ( $a_{h, M}$ ): 2,5 m/s<sup>2</sup>

Incertezza (K): 1,5 m/s<sup>2</sup>

ENG901-1

- Il valore di emissione delle vibrazioni dichiarato è stato misurato conformemente al metodo di test standard, e può essere usato per paragonare un utensile con un altro.
- Il valore di emissione delle vibrazioni dichiarato può anche essere usato per una valutazione preliminare dell'esposizione.

#### ⚠ AVVERTIMENTO:

- L'emissione delle vibrazioni durante l'uso reale dell'utensile elettrico può differire dal valore di emissione dichiarato a seconda dei modi in cui viene usato l'utensile.
- Identificare le misure di sicurezza per la protezione dell'operatore basate sulla stima dell'esposizione nelle condizioni reali d'utilizzo (tenendo presente tutte le parti del ciclo operativo, come le volte in cui l'utensile viene spento e quando gira a vuoto, oltre al tempo di funzionamento).

**Modello per l'Europa soltanto**

**Dichiarazione CE di conformità**

**Makita dichiara che la macchina seguente:**

Designazione della macchina:

Sega circolare

Modello No./Tipo: HS6100, HS6101, HS7100, HS7101

**Conforme alle Direttive Europee:**

2006/42/CE

È stata fabbricata in conformità allo standard e ai documenti standardizzati seguenti:

EN60745

La documentazione tecnica conforme 2006/42/CE è disponibile da:

Makita, Jan-Baptist Vinkstraat 2, 3070, Belgio

31.12.2013



Yasushi Fukaya  
Amministratore

Makita, Jan-Baptist Vinkstraat 2, 3070, Belgio

**Verklaring van algemene gegevens**

1 Hendel	12 Inbusleutel	23 Stofzuiger
2 Voorste hendel	13 Losmaken	24 Slang
3 Achterste vleugelmoer	14 Vastzetten	25 Klemhendel
4 Verstekhoekknop	15 Asvergrendeling	26 Breedtegeleider (Liniaal)
5 0°-markering	16 As	27 Instelschroef voor 0°
6 45°-markering	17 Binnenflens	28 Instelschroef voor 45°
7 Zaagsnedelijn	18 Zaagblad	29 Tekendriehoek
8 Schroef	19 Buitenflens	30 Zoolplaat
9 Aan/uit-schakelaar	20 Zeskantbout	31 Limietmarkering
10 Uit-vergrendelknop	21 Ring	32 Schroevendraaier
11 Lampje	22 Stofzuigmondstuk	33 Borstelhouderkap

**TECHNISCHE GEGEVENS**

Model		HS6100	HS6101	HS7100	HS7101
Bladdiameter		165 mm		190 mm	
Max. zaagdiepte	Bij 0°	54,5 mm		67 mm	
	Bij 45°	39,5 mm		48,5 mm	
	Bij 50°	35,5 mm		43,5 mm	
Nullasttoerental (min <sup>-1</sup> )		5 500			
Totale lengte		297 mm		310 mm	
Netto gewicht		3,7 kg	3,7 kg	4,0 kg	4,0 kg
Veiligheidsklasse		□/II			

- In verband met ononderbroken research en ontwikkeling behouden wij ons het recht voor bovenstaande technische gegevens te wijzigen zonder voorafgaande kennisgeving.
- De technische gegevens kunnen van land tot land verschillen.
- Gewicht volgens de EPTA-procedure 01/2003

ENE078-1

**Doeleinden van gebruik**

Het gereedschap is bedoeld voor het rechtzagen in lengterichting en in dwarsrichting en voor het verstekzagen van hoeken in hout terwijl het gereedschap stevig tegen het werkstuk wordt gehouden. Met een geschikt zaagblad is ook zagen in aluminium mogelijk.

ENF100-1

**Voor openbare laagspanningsverdeelssystemen van tussen 220 V en 250 V**

Schakelbedieningen van elektrische toestellen veroorzaken spanningschommelingen. De bediening van dit gereedschap onder ongunstige lichtnetomstandigheden kan een nadelige invloed hebben op de bediening van andere apparatuur. Het kan worden aangenomen dat er geen negatieve effecten zullen zijn wanneer de netimpedantie gelijk is aan of minder is dan 0,32 Ohm.

Het stopcontact dat voor dit gereedschap wordt gebruikt, moet beveiligd zijn door een zekering of een stroomonderbreker met trage afschakelkarakteristieken.

GEA010-1

**Algemene veiligheidswaarschuwingen voor elektrisch gereedschap**

**⚠ WAARSCHUWING! Lees alle veiligheidswaarschuwingen en alle instructies.** Het niet volgen van de waarschuwingen en instructies kan leiden tot elektrische schokken, brand en/of ernstig letsel.

**Bewaar alle waarschuwingen en instructies om in de toekomst te kunnen raadplegen.**

GEB013-6

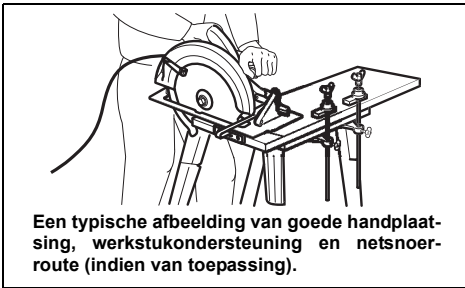
**VEILIGHEIDSWAARSCHUWINGEN SPECIFIEK VOOR EEN CIRKELZAAGMACHINE**

**Werkwijze bij het zagen**

1. **⚠ GEVAAR: Houd uw handen uit de buurt van het zaaggebied en het zaagblad. Houd met uw andere hand de voorhandgreep of de behuizing van het gereedschap vast.** Als u de cirkelzaag met beide handen vasthoudt, kunt u nooit in uw handen zagen.
2. **Reik nooit met uw handen onder het werkstuk.** De beschermkap kan u niet beschermen onder het werkstuk tegen het zaagblad.
3. **Stel de zaagdiepte in overeenkomstig de dikte van het werkstuk.** Minder dan een volledige tandhoogte dient onder het werkstuk uit te komen.



4. Houd het werkstuk waarin wordt gezaagd nooit vast met uw handen of benen. Zorg dat het werkstuk stabiel is ten opzichte van de ondergrond. Het is belangrijk het werkstuk goed te ondersteunen om de kans te minimaliseren dat uw lichaam eraan blootgesteld wordt, het zaagblad vastloopt of u de controle over het gereedschap verliest.



Een typische afbeelding van goede handplaatsing, werkstukondersteuning en netsnoer-route (indien van toepassing).

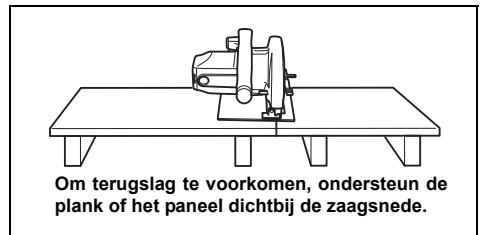
5. Houd het elektrisch gereedschap alleen vast aan het geïsoleerde oppervlak van de handgrepen, wanneer u werkt op plaatsen waar het zaaggereedschap met verborgen bedrading of met zijn eigen snoer in aanraking kan komen. Bij contact met onder spanning staande draden zullen ook de niet-geïsoleerde metalen delen van het elektrisch gereedschap onder spanning komen te staan, zodat de gebruiker een elektrische schok kan krijgen.
6. Gebruik bij het schulpen altijd de breedtegeleider of de langseleider. Hierdoor wordt de nauwkeurigheid van het zagen vergroot en de kans op vastlopen van het zaagblad verkleint.
7. Gebruik altijd zaagbladen met doorgaten van de juiste afmetingen en vorm (diamant of rond). Zaagbladen die niet goed passen op de bevestigingsmiddelen van de cirkelzaag, zullen excentrisch draaien waardoor u de controle over het gereedschap verliest.
8. Gebruik nooit een beschadigde of verkeerde bouten en ringen om het zaagblad mee te bevestigen. De bouten en ringen voor de bevestiging van het zaagblad zijn speciaal ontworpen voor gebruik met uw cirkelzaag voor optimale prestaties en veilig gebruik.

#### Oorzaken van terugslag en waarschuwingen daarvoor

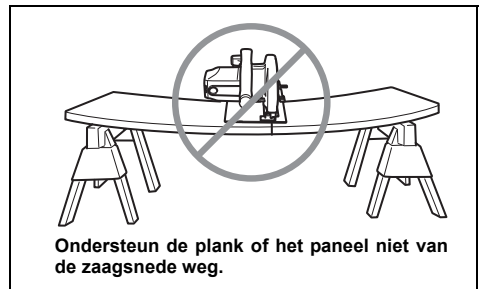
- Terugslag is een plotselinge reactie op een bekneld, vastgelopen of niet-uitgelijnd zaagblad, waardoor de oncontroleerbare cirkelzaag omhoog, uit het werkstuk en in de richting van de gebruiker gaat.
- Wanneer het zaagblad bekneld raakt of vastloopt doordat de zaagsnede naar beneden toe smaller wordt, vertraagt het zaagblad en komt als reactie de motor snel omhoog in de richting van de gebruiker.
- Als het zaagblad gebogen of niet-uitgelijnd raakt in de zaagsnede, kunnen de tanden aan de achterrand van het zaagblad zich in het bovenoppervlak van het hout vreten, waardoor het zaagblad uit de zaagsnede klimt en omhoog springt in de richting van de gebruiker.

Terugslag is het gevolg van misgebruik van de cirkelzaag en/of onjuiste gebruiksprocedures of -omstandigheden, en kan worden voorkomen door goede voorzorgsmaatregelen te treffen, zoals hieronder vermeld:

9. Houd de cirkelzaag stevig vast met beide handen en houd uw armen zodanig dat een terugslag wordt opgevangen. Plaats uw lichaam zijwaarts versprongen van het zaagblad en niet in een rechte lijn erachter. Door terugslag kan de cirkelzaag achterwaarts springen, maar de kracht van de terugslag kan met de juiste voorzorgsmaatregelen door de gebruiker worden opgevangen.
10. Wanneer het zaagblad vastloopt, of wanneer u om een of andere reden het zagen onderbreekt, laat u de aan/uit-schakelaar los en houdt u de cirkelzaag stil in het materiaal totdat het zaagblad volledig tot stilstand is gekomen. Probeer nooit het zaagblad uit het werkstuk te halen of de cirkelzaag naar achteren te trekken, terwijl het zaagblad nog draait omdat hierdoor een terugslag kan optreden. Onderzoek waarom het zaagblad is vastgelopen en tref afdoende maatregelen om de oorzaak ervan op te heffen.
11. Wanneer u de cirkelzaag weer inschakelt terwijl het zaagblad in het werkstuk zit, plaatst u het zaagblad in het midden van de zaagsnede en controleert u dat de tanden niet in het materiaal grijpen. Als het zaagblad is vastgelopen, kan wanneer de cirkelzaag wordt ingeschakeld het zaagblad uit het werkstuk lopen of terugslaan.
12. Ondersteun grote platen om de kans te minimaliseren dat het zaagblad bekneld raakt of terugslaat. Grote platen neigen door te zakken onder hun eigen gewicht. U moet de plaat ondersteunen aan beide zijranden, vlakbij de zaaglijn en vlakbij het uiteinde.

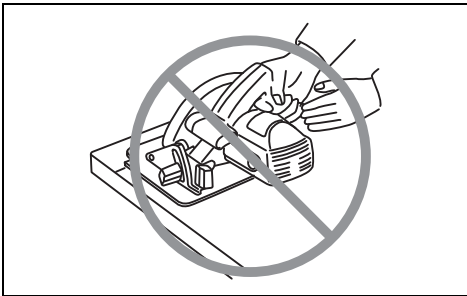


Om terugslag te voorkomen, ondersteun de plank of het paneel dichtbij de zaagsnede.



Ondersteun de plank of het paneel niet van de zaagsnede weg.

13. **Gebruik een bot of beschadigd zaagblad niet meer.** Niet-geslepen of verkeerd gezette tanden maken een smalle zaagsnede wat leidt tot grote wrijving, vastlopen en terugslag.
14. **De vergrendelhendels voor het instellen van de zaagbladdiepte en verstelhoek moeten vastzitten alvorens te beginnen met zagen.** Als de instellingen van het zaagblad zich tijdens het zagen wijzigen, kan dit leiden tot vastlopen of terugslag.
15. **Wees extra voorzichtig wanneer u een zaagsnede maakt in een bestaande wand of een andere plaats waar u de achterkant van het zaagoppervlak niet kunt zien.** Wanneer het zaagblad door het materiaal heen breekt, kan het een voorwerp raken waardoor een terugslag optreedt.
16. **Houd het gereedschap ALTIJD met beide handen stevig vast. Plaats NOOIT uw hand of vingers achter het zaagblad.** Als een terugslag optreedt, kan het zaagblad gemakkelijk achteruit en over uw hand springen waardoor ernstig persoonlijk letsel ontstaat.



000194

17. **Dwing de cirkelzaag nooit. Duw de cirkelzaag vooruit met een snelheid waarbij het zaagblad niet vertraagt.** Als u het zaagblad dwingt, kan dat leiden tot een ongelijkmatige zaagsnede, verminderde nauwkeurigheid en mogelijke terugslag.

#### **Functie van de onderste beschermkap**

18. **Controleer voor ieder gebruik of de onderste beschermkap goed sluit. Gebruik de cirkelzaag niet als de onderste beschermkap niet vrij kan bewegen en onmiddellijk sluit. Zet de onderste beschermkap nooit vast in de geopende stand.** Als u de cirkelzaag per ongeluk laat vallen, kan de onderste beschermkap worden verbogen. Til de onderste beschermkap op aan de terugtrekhandel en controleer dat deze vrij kan bewegen en niet het zaagblad of enig ander onderdeel raakt, onder alle verstekhoeken en op alle zaagdiepten.
19. **Controleer de werking van de veer van de onderste beschermkap. Als de beschermkap en de veer niet goed werken, dienen deze te worden gerepareerd voordat de cirkelzaag wordt gebruikt.** De onderste beschermkap kan traag werken als gevolg van beschadigde onderdelen, gom- of hardafzetting, of opeenhoping van vuil.

20. **De onderste beschermkap mag alleen met de hand worden geopend voor het maken van speciale zaagsneden, zoals een "blinde" zaagsnede en "samengestelde" zaagsnede. Til de onderste beschermkap op aan de terugtrekhandel en laat deze los zodra het zaagblad in het materiaal zaagt.** Bij alle andere typen zaagsneden, dient de onderste beschermkap automatisch te werken.
21. **Let er altijd op dat de onderste beschermkap het zaagblad bedekt voordat u de cirkelzaag op het werkbak of vloer neerlegt.** Een onbeschermd zaagblad dat nog nadraait, zal de cirkelzaag achteruit doen lopen waarbij alles op zijn weg wordt gezaagd. Denk aan de tijd die het duurt nadat de cirkelzaag is uitgeschakeld voordat het zaagblad stilstaat.
22. **U kunt de onderste beschermkap controleren, door deze met de hand te openen, los te laten en te kijken hoe hij sluit. Controleer tevens of de terugtrekhandel de behuizing van het gereedschap niet raakt.** Het zaagblad onbeschermd laten is UITERST GEVAARLIJK en kan leiden tot ernstig persoonlijk letsel.

#### **Aanvullende veiligheidsvoorschriften**

23. **Wees extra voorzichtig bij het zagen in nat hout, druk-behandeld timmerhout en hout met knoesten.** Zorg dat de cirkelzaag soepel vooruit blijft gaan zonder dat de snelheid van het zaagblad lager wordt, om oververhitting van de zaagtanden te voorkomen.
24. **Probeer niet afgezaagd materiaal te verwijderen terwijl het zaagblad nog draait. Wacht totdat het zaagblad volledig tot stilstand is gekomen voordat u het afgezaagde materiaal vastpakt.** Het zaagblad draait nog na nadat het gereedschap is uitgeschakeld.
25. **Voorkom dat u in spijkers zaagt. Inspecteer het hout op spijkers en verwijder deze zonnodig voordat u begint te zagen.**
26. **Plaats het bredere deel van de zool van de cirkelzaag op het deel van het werkstuk dat goed is ondersteund, en niet op het deel dat omlaag valt nadat de zaagsnede gemaakt is. Als voorbeeld laat Fig. A zien hoe u het uiteinde van een plank GOED afzaagt, en Fig. B hoe u dit VERKEERD doet. Als het werkstuk kort of smal is, klemt u het vast. PROBEER NOOIT EEN KORT WERKSTUK IN UW HANDEN VAST TE HOUDEN!**

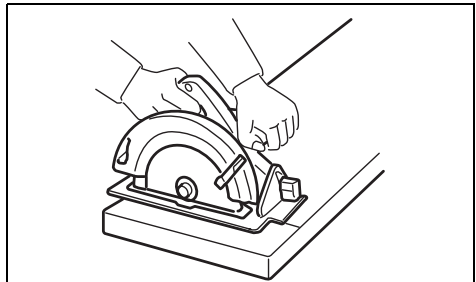


Fig. A

000147

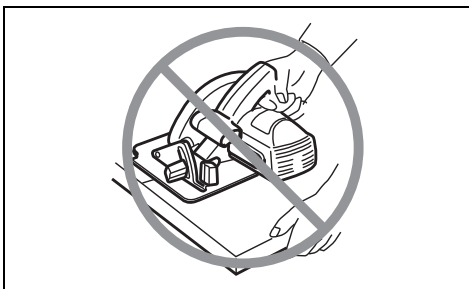
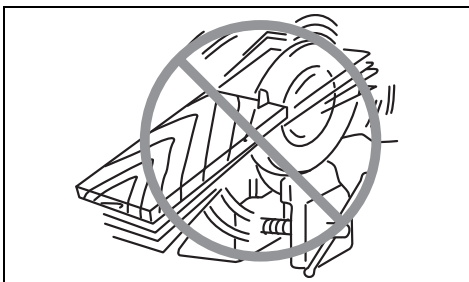


Fig. B 000150

27. Voordat u het gereedschap neerlegt na het voltooiën van een zaagsnede, controleert u dat de onderste beschermkap gesloten is en het zaagblad volledig tot stilstand is gekomen.
28. Probeer nooit te zagen waarbij de cirkelzaagmachine ondersteboven in een bankschroef is geklemd. Dit is uiterst gevaarlijk en kan leiden tot ernstig persoonlijk letsel.



000029

29. Sommige materialen bevatten chemische stoffen die giftig kunnen zijn. Neem voorzorgsmaatregelen tegen het inademen van stof en contact met de huid. Volg de veiligheidsinstructies van de leverancier van het materiaal op.
30. Breng het zaagblad niet tot stilstand door zijdelings op het zaagblad te drukken.
31. Gebruik altijd zaagbladen die in deze gebruiksaanwijzing aanbevolen worden. Gebruik geen slijpschijven.
32. Houd het zaagblad scherp en schoon. Gom of hars dat op het zaagblad is opgedroogd vertraagt het zaagblad en verhoogt de kans op terugslag. Houd het zaagblad schoon door dit eerst van het gereedschap te demonteren en het vervolgens schoon te maken met een reinigingsmiddel voor gom en hars, heet water of kerosine. Gebruik nooit benzine.
33. Draag een stofmasker en gehoorbescherming tijdens gebruik van het gereedschap.

## BEWAAR DEZE VOORSCHRIFTEN.

### ⚠ WAARSCHUWING:

Laat u NIET misleiden door een vals gevoel van comfort en bekendheid met het gereedschap (na veelvuldig gebruik) en neem alle veiligheidsvoorschriften van het betreffende gereedschap altijd strikt in acht. VERKEERD GEBRUIK of het niet naleven van de veiligheidsvoorschriften in deze gebruiksaanwijzing kan leiden tot ernstige verwondingen.

## BESCHRIJVING VAN DE FUNCTIES

### ⚠ LET OP:

- Controleer altijd of het gereedschap is uitgeschakeld en zijn stekker uit het stopcontact is verwijderd alvorens de functies op het gereedschap te controleren of af te stellen.

### De zaagdiepte instellen (Fig. 1)

#### ⚠ LET OP:

- Nadat u de zaagdiepte hebt ingesteld, zet u de hendel altijd stevig vast.

Draai de hendel van de dieptegeleider los en beweeg de zool omhoog of omlaag. Zet de zool vast op de gewenste zaagdiepte door de hendel vast te zetten.

Voor een schonere, veiligere zaagsnede, stelt u de zaagdiepte zodanig in dat niet meer dan een tandhoogte door het werkstuk heen steekt. Door de zaagdiepte goed in te stellen, verkleint u de kans op een potentieel gevaarlijke TERUGSLAG, en daarmee op persoonlijk letsel.

### Verticaal verstekzagen (Fig. 2, 3 en 4)

Zet de voorste hendel en de achterste vleugelmoer los. Stel in op de gewenste zaaghoek ( $0^\circ - 50^\circ$ ) door de zaag in die stand te kantelen en zet dan de voorste hendel en de vleugelmoer weer stevig vast.

Gebruik de  $45^\circ$  verstekhoekknop als u in een precieze verstekhoek van  $45^\circ$  wilt zagen. Draai de knop volledig naar rechts voor verstek zagen ( $0^\circ - 45^\circ$ ) of draai de knop naar links voor een andere zaaghoek van  $0^\circ - 50^\circ$ .

### Zichtlijn (Fig. 5)

Voor recht zagen lijnt u de  $0^\circ$ -markering vooraan de zoolplaat precies uit met uw zaagsnedelijnt. Voor  $45^\circ$  verstekzagen gebruikt u de  $45^\circ$ -markering. De stand van de bovenste geleider is instelbaar.

### Werking van de aan/uit-schakelaar (Fig. 6)

#### ⚠ LET OP:

- Controleer altijd, voordat u de stekker in het stopcontact steekt, of de aan/uit-schakelaar op de juiste manier schakelt en weer terugkeert naar de uit-stand nadat deze is losgelaten.

Om te voorkomen dat de aan/uit-schakelaar per ongeluk wordt bediend, is een uit-vergrendelknop aangebracht. Om het gereedschap te starten, drukt u de uit-vergrendelknop in en knijpt u de aan/uit-schakelaar in. Laat de aan/uit-schakelaar los om het gereedschap te stoppen. Trek niet hard aan de trekkerschakelaar zonder ook de uit-vergrendelknop in te drukken. De schakelaar zou daardoor kunnen breken.

## Voor model HS6101, HS7101

### Het lampje laten branden (Fig. 7)

#### LET OP:

- Kijk niet recht in het lamplicht of de lichtbron.

Het lampje gaat branden wanneer u het gereedschap op de stroom aansluit. Het lampje blijft branden totdat u de stroom afsluit.

#### OPMERKING:

- Gebruik een zachte doek om vuil van het lensglas van het lampje te verwijderen. Let op dat u geen krassen maakt op het lensglas van het lampje, want dat kan het licht belemmeren.
- Gebruik geen benzine, thinner e.d. om het lensglas van het lampje schoon te maken. Dergelijke stoffen kunnen het lensglas beschadigen.

## INEENZETTEN

#### LET OP:

- Zorg altijd dat het gereedschap is uitgeschakeld en dat zijn stekker uit het stopcontact is verwijderd alvorens enig werk aan het gereedschap uit te voeren.

### Het zaagblad aanbrengen en verwijderen (Fig. 8)

#### LET OP:

- Verzeker u ervan dat het zaagblad zodanig wordt aangebracht dat de tanden aan de voorkant van het gereedschap omhoog wijzen.
- Gebruik uitsluitend de Makita-sleutel voor het aanbrengen en verwijderen van het zaagblad.

Als u het zaagblad wilt verwijderen, drukt u eerst de asvergrendeling in zodat het zaagblad niet meer kan draaien, en gebruikt u vervolgens de inbussleutel om de zeskantbout linksom los te draaien. Verwijder tenslotte de zeskantbout, de buitenflens en het zaagblad.

### Voor gereedschap met een binnenflens voor een zaagblad met een middengatdiameter van 15,88 mm (Fig. 9)

Plaats de binnenflens met de verzonken kant naar buiten gericht op de as en breng daarna het zaagblad, de buitenflens en de zeskantbout aan.

ZORG ERVOOR DAT U DE ZESKANTBOUT RECHTSOM STEVIG VASTDRAAIT.

### Voor gereedschap met een binnenflens voor een zaagblad met een andere middengatdiameter dan 15,88 mm (Fig. 10)

De binnenflens heeft een uitstulping met een zekere diameter aan één zijde en een uitstulping met een andere diameter aan de andere zijde. Kies de juiste zijde waarvan de uitstulping perfect in het middengat van het zaagblad past.

Plaats vervolgens de binnenflens zodanig op de as dat de zijde met de juiste uitstulping naar buiten wijst, en breng daarna het zaagblad, de buitenflens aan.

ZORG ERVOOR DAT U DE ZESKANTBOUT RECHTSOM STEVIG VASTDRAAIT.

#### LET OP:

- Zorg ervoor dat de uitstulping "a" van de binnenflens die naar buiten wijst, perfect past in het middengat "a" van het zaagblad. Als u het zaagblad op de verkeerde kant van de binnenflens aanbrengt, kunnen gevaarlijke trillingen het gevolg zijn.

Bij het verwisselen van het zaagblad dient u vooral ook het opgehoopt zaagsel van de bovenste en onderste beschermkappen te verwijderen. Dit verlost u echter niet van de plicht om vóór elk gebruik de werking van de onderste beschermkap nog eens te controleren. (Fig. 11)

### Opbergplaats voor de inbussleutel (Fig. 12)

Wanneer u de inbussleutel niet gebruikt, bergt u deze op de plaats aangegeven in de afbeelding op, om te voorkomen dat deze wordt verloren.

### Aansluiten van een stofzuiger (Fig. 13 en 14)

Wanneer u bij het zagen de omgeving schoon wilt houden, sluit u een Makita stofzuiger aan op uw gereedschap. Zet het stofzuigmondstuk op het gereedschap vast met de schroef. Sluit vervolgens de stofzuigerslang aan op het mondstuk, zoals in de afbeelding getoond.

## BEDIENING (Fig. 15)

#### LET OP:

- Duw het gereedschap voorzichtig in een rechte lijn naar voren. Als u het gereedschap dwingt of verdraait, zal de motor oververhit raken en het gereedschap gevaarlijk terugslaan waardoor ernstig letsel kan worden veroorzaakt.
- Gebruik altijd de voorhandgreep en achterhandgreep, en houd het gereedschap tijdens gebruik stevig vast aan zowel de voorhandgreep als de achterhandgreep.

Houd het gereedschap stevig vast. Het gereedschap is voorzien van zowel een voorhandgreep als een achterhandgreep. Gebruik beide handgrepen om het gereedschap optimaal vast te houden. Als u de cirkelzaag met beide handen vasthoudt, kunt u nooit in uw handen zagen. Plaats eerst de zool op het werkstuk dat u wilt zagen, zonder dat het zaagblad het werkstuk raakt. Schakel vervolgens het gereedschap in en wacht totdat het zaagblad op volle snelheid draait. Duw het gereedschap nu gewoon naar voren over het oppervlak van het werkstuk, houd het daarbij vlak, en duw gelijkmatig totdat het zagen klaar is.

Zorg voor een schone zaagsnede door een rechte zaaglijn en een constante voortgaande snelheid. Als de zaagsnede niet verloopt volgens de voorgenomen zaaglijn, mag u niet proberen het gereedschap iets te draaien of te dwingen terug te keren naar de zaaglijn. Als u dit doet, kan het zaagblad vastlopen en een gevaarlijke terugslag optreden met mogelijk ernstig persoonlijk letsel tot gevolg. Laat de aan/uit-schakelaar los, wacht tot het zaagblad tot stilstand is gekomen en trek vervolgens het gereedschap terug. Lijn het gereedschap opnieuw uit met een nieuwe zaaglijn en begin weer te zagen. Probeer te vermijden dat door de positie van het gereedschap de gebruiker wordt blootgesteld aan zaagsel en spaanders die door het gereedschap worden uitgeworpen. Gebruik oogbescherming om verwonding te voorkomen.

### Breedtegeleider (liniaal) (Fig. 16)

Met de handige breedtegeleider kunt u extra nauwkeurig recht zagen. Schuif gewoon de breedtegeleider strak tegen de zijkant van het werkstuk en zet deze op zijn plaats vast met behulp van de schroef op de voorkant van de zool van het gereedschap. Op deze manier is het tevens mogelijk een zaagbeweging te herhalen met identieke breedte.

## ONDERHOUD

### ⚠ LET OP:

- Zorg altijd dat het gereedschap is uitgeschakeld en zijn stekker uit het stopcontact is verwijderd alvorens te beginnen met inspectie of onderhoud.
- Gebruik nooit benzine, wasbenzine, thinner, alcohol en dergelijke. Hierdoor kunnen verkleuring, vervormingen en barsten worden veroorzaakt.

### Nauwkeurig de zaaghoek van 0° en 45° instellen (verticaal en 45° verstekzagen) (Fig. 17 en 18)

Deze instelling is in de fabriek gemaakt. Maar als de instelling niet meer juist is, draait u met een inbussleutel de instelschroeven bij terwijl u de precieze hoek van 0° of 45° controleert met een tekendriehoek of een gradenboog, enz.

### Nauwkeurig parallel instellen (Fig. 19)

De parallelstand van het zaagblad en de zoolplaat is in de fabriek ingesteld. Maar als die instelling niet meer juist is, kunt u deze als volgt corrigeren.

Zorg dat alle hendels en schroeven stevig vast zijn gezet. Draai dan zoals in de afbeelding de schroef ietwat los. Open nu de onderste beschermkap en verstel de achterkant van de zoolplaat zo dat de afstanden A en B precies gelijk zijn. Wanneer dit in orde is, draait u de schroef weer vast. Maak een proefzaagsnede om te zien of er precies parallel gezaagd wordt.

### Vervangen van koolborstels (Fig. 20 en 21)

Verwijder en controleer regelmatig de koolborstels. Vervang de koolborstels wanneer ze tot aan de limietmarkering versleten zijn. Houd de koolborstels schoon, zodat ze gemakkelijk in de houders glijden. Beide koolborstels dienen gelijktijdig te worden vervangen. Gebruik uitsluitend gelijksoortige koolborstels.

Gebruik een schroevendraaier om de kappen van de koolborstelhouders te verwijderen. Haal de versleten koolborstels eruit, schuif de nieuwe erin, en zet daarna de kappen weer goed vast.

Na het vervangen van de koolborstels sluit u de stroom van het gereedschap aan, om dan de koolborstels in te werken door het gereedschap onbelast zo'n 10 minuten lang te laten draaien. Controleer dan terwijl het gereedschap draait de werking van de elektrische rem wanneer u de trekkerschakelaar loslaat. Als de elektrische rem niet goed werkt, laat u het gereedschap dan repareren door een Makita servicecentrum.

Om de VEILIGHEID en BETROUWBAARHEID van het product te handhaven, dienen alle reparaties en alle andere onderhoudswerkzaamheden of afstellingen te worden uitgevoerd door een erkend Makita Servicecentrum, en dat uitsluitend met gebruik van Makita vervangingsonderdelen.

## OPTIONELE ACCESSOIRES

### ⚠ LET OP:

- Deze accessoires of hulpstukken worden aanbevolen voor gebruik met het Makita gereedschap dat in deze gebruiksaanwijzing wordt beschreven. Het gebruik van andere accessoires of hulpstukken kan gevaar voor persoonlijke verwonding opleveren. Gebruik de accessoires of hulpstukken uitsluitend voor het gespecificeerde doel.

Wenst u meer informatie over deze accessoires, neem dan contact op met het dichtstbijzijnde Makita servicecentrum.

- Zaagbladen
- Breedtegeleider (Liniaal)
- Geleiderail
- Geleiderailadapter
- Inbussleutel
- Aansluitstuk

### OPMERKING:

- Sommige van de onderdelen in deze lijst kunnen bijgeleverd zijn als standaard-accessoires. Deze accessoires kunnen per land verschillend zijn.

ENG905-1

## Geluidsniveau

De typisch, A-gewogen geluidsniveaus vastgesteld volgens EN60745:

### Model HS6100, HS6101

Geluidsdruk niveau ( $L_{pA}$ ): 89 dB (A)  
Geluidsvermogen niveau ( $L_{WA}$ ): 100 dB (A)  
Onnauwkeurigheid (K): 3 dB (A)

### Model HS7100, HS7101

Geluidsdruk niveau ( $L_{pA}$ ): 90 dB (A)  
Geluidsvermogen niveau ( $L_{WA}$ ): 101 dB (A)  
Onnauwkeurigheid (K): 3 dB (A)

### Draag oorbeschermers

ENG900-1

## Trilling

De totaalwaarde van de trillingen (triaxiale vectorsom) vastgesteld volgens EN60745:

### Model HS6100, HS6101

Gebruikstoepassing: zagen in hout  
Trillingsemissie ( $a_{h,w}$ ): 2,5 m/s<sup>2</sup> of lager  
Onnauwkeurigheid (K): 1,5 m/s<sup>2</sup>

Gebruikstoepassing: zagen in metaal  
Trillingsemissie ( $a_{h,w}$ ): 2,5 m/s<sup>2</sup>  
Onnauwkeurigheid (K): 1,5 m/s<sup>2</sup>

### Model HS7100, HS7101

Gebruikstoepassing: zagen in hout  
Trillingsemissie ( $a_{h,w}$ ): 2,5 m/s<sup>2</sup> of lager  
Onnauwkeurigheid (K): 1,5 m/s<sup>2</sup>

Gebruikstoepassing: zagen in metaal  
Trillingsemissie ( $a_{h,w}$ ): 2,5 m/s<sup>2</sup>  
Onnauwkeurigheid (K): 1,5 m/s<sup>2</sup>

- De opgegeven trillingsemissiewaarde is gemeten volgens de standaardtestmethode en kan worden gebruikt om dit gereedschap te vergelijken met andere gereedschappen.
- De opgegeven trillingsemissiewaarde kan ook worden gebruikt voor een beoordeling vooraf van de blootstelling.

**⚠ WAARSCHUWING:**

- De trillingsemissie tijdens het gebruik van het elektrisch gereedschap in de praktijk kan verschillen van de opgegeven trillingsemissiewaarde afhankelijk van de manier waarop het gereedschap wordt gebruikt.
- Zorg ervoor dat veiligheidsmaatregelen worden getroffen ter bescherming van de operator die zijn gebaseerd op een schatting van de blootstelling onder praktijkomstandigheden (rekening houdend met alle fasen van de bedrijfscyclus, zoals de tijdsduur gedurende welke het gereedschap is uitgeschakeld en stationair draait, naast de ingeschakelde tijdsduur).

ENH101-17

**Alleen voor Europese landen**

**EU-Verklaring van Conformiteit**

**Makita verklaart hierbij dat de volgende machine(s):**

Aanduiding van de machine:

Cirkelzaagmachine

Modelnr./Type: HS6100, HS6101, HS7100, HS7101

**Voldoet aan de volgende Europese Richtlijnen:**

2006/42/EU

Ze zijn gefabriceerd in overeenstemming met de volgende norm of genormaliseerde documenten:

EN60745

Het technisch documentatiebestand volgens 2006/42/EU is verkrijgbaar in:

Makita, Jan-Baptist Vinkstraat 2, 3070, België

31.12.2013



Yasushi Fukaya

Directeur

Makita, Jan-Baptist Vinkstraat 2, 3070, België

**Explicación de los dibujos**

1 Palanca	12 Llave hexagonal	23 Aspirador
2 Palanca frontal	13 Aflojar	24 Manguera
3 Tuerca de orejetas trasera	14 Apretar	25 Palanca de sujeción
4 Retenedor	15 Bloqueo del eje	26 Guía lateral (Regla guía)
5 Posición 0°	16 Eje de montaje	27 Tornillo de ajuste para 0°
6 Posición 45°	17 Brida interior	28 Tornillo de ajuste para 45°
7 Línea de corte	18 Disco de sierra	29 Escuadra
8 Tornillo	19 Brida exterior	30 Base
9 Gatillo interruptor	20 Perno hexagonal	31 Marca de límite
10 Botón de desbloqueo	21 Anillo	32 Destornillador
11 Luz	22 Boquilla de polvo	33 Tapa del portaescobillas

**ESPECIFICACIONES**

Modelo		HS6100	HS6101	HS7100	HS7101
Diámetro del disco		165 mm		190 mm	
Profundidad de corte máxima	a 0°	54,5 mm		67 mm	
	a 45°	39,5 mm		48,5 mm	
	a 50°	35,5 mm		43,5 mm	
Velocidad en vacío (min <sup>-1</sup> )		5.500			
Longitud total		297 mm		310 mm	
Peso neto		3,7 kg	3,7 kg	4,0 kg	4,0 kg
Clase de seguridad		□/II			

- Debido a un programa continuo de investigación y desarrollo, las especificaciones aquí dadas están sujetas a cambios sin previo aviso.
- Las especificaciones pueden ser diferentes de país a país.
- Peso de acuerdo con el procedimiento EPTA 01/2003

ENE078-1

**Uso previsto**

La herramienta ha sido prevista para realizar cortes rectos longitudinales y transversales y cortes en inglete con diferentes ángulos en madera mientras es mantenida en firme contacto con la pieza de trabajo. Con los discos de sierra apropiados, también podrá serrar aluminio.

ENF100-1

**Para sistemas de distribución de baja tensión de entre 220 y 250 v públicos**

Los cambios de operación de aparatos eléctricos ocasionan fluctuaciones de tensión. La operación de este dispositivo en condiciones desfavorables de corriente puede afectar adversamente a la operación de otros equipos. Con una impedancia eléctrica igual o inferior a 0,32 ohmios, se puede asumir que no surgirán efectos negativos.

La toma de corriente utilizada para este dispositivo deberá estar protegida con un fusible o disyuntor que tenga unas características de desconexión lenta.

**Advertencias de seguridad generales para herramientas eléctricas**

GEA010-1

**⚠ ¡ADVERTENCIA! Lea todas las advertencias de seguridad y todas las instrucciones.** Si no sigue todas las advertencias e instrucciones podrá ocasionar una descarga eléctrica, un incendio y/o heridas graves.

**Guarde todas las advertencias e instrucciones para futuras referencias.**

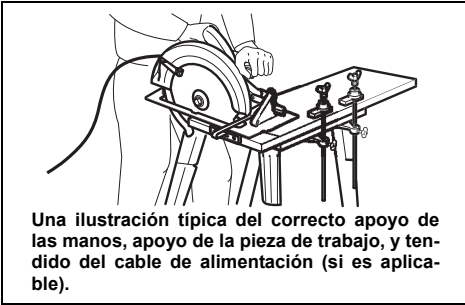
GEB013-6

**ADVERTENCIAS DE SEGURIDAD PARA SIERRA CIRCULAR**

**Procedimientos de corte**

1. **⚠ PELIGRO: Mantenga las manos alejadas del área de corte y del disco. Mantenga su segunda mano sobre el mango auxiliar o sobre el alojamiento del motor.** Si ambas manos están sujetando la sierra, no habrá peligro de que el disco las corte.
2. **No se ponga debajo de pieza de trabajo durante la tarea.** El protector de disco no podrá protegerle del disco por debajo de la pieza de trabajo.
3. **Ajuste la profundidad de corte al grosor de la pieza de trabajo.** Por debajo de la pieza de trabajo deberá sobresalir menos de un diente completo del disco.

4. **No sujete nunca con las manos ni entre las piernas la pieza que esté cortando. Sujete la pieza de trabajo en una plataforma estable.** Es muy importante que apoye la pieza de trabajo debidamente para minimizar la exposición del cuerpo, el estancamiento del disco, o la pérdida de control.



000157

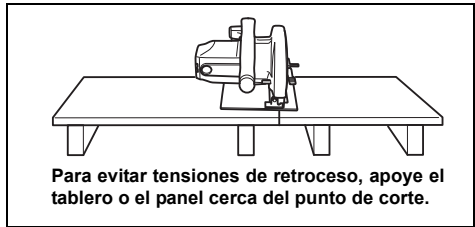
5. **Cuando realice una operación en la que la herramienta de corte pueda entrar en contacto con cableado oculto o con su propio cable, sujete la herramienta eléctrica por las superficies de aislamiento aisladas solamente.** El contacto con un cable con corriente también hará que la corriente circule por las partes metálicas expuestas de la herramienta eléctrica y podrá dar al operario una descarga eléctrica.
6. **Cuando haga cortes al hilo, utilice siempre una guía lateral o un listón recto.** Esto mejora la precisión del corte y reduce la posibilidad de que el disco se estanque.
7. **Utilice siempre discos con agujero central de tamaño y forma correctos (diamante y redondo).** Los discos cuyo agujero central no coincida con el dispositivo de montaje de la sierra girarán excéntricamente y ocasionarán la pérdida del control.
8. **No utilice nunca arandelas o pernos de disco dañados o incorrectos.** Las arandelas y el perno de disco han sido diseñados especialmente para su sierra, y con ellos se logran un rendimiento y seguridad de operación óptimos.

#### Causas de los retrocesos bruscos y advertencias relacionadas

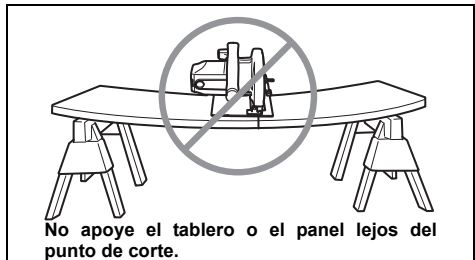
- El retroceso brusco es una reacción repentina debida a un aprisionamiento, estancamiento o desalineación del disco, que hace que la sierra se levante y salga incontrolada de la pieza de trabajo hacia el operario;
- cuando el disco queda aprisionado o estancado firmemente debido al cierre de la hendidura, el disco se inmoviliza y la reacción del motor empuja la sierra bruscamente hacia atrás contra el operario;
- si el disco se retuerce o desalinea en el corte, los dientes del borde trasero del disco pueden morder la superficie de la madera haciendo que el disco se salga de la hendidura y salte hacia atrás contra el operario.

Los retrocesos bruscos se deben a un mal uso de la sierra y/o a procedimientos o condiciones de trabajo incorrectos y pueden evitarse tomando las precauciones indicadas a continuación.

9. **Sujete la sierra firmemente con ambas manos y posicione los brazos de forma que pueda resistir las fuerzas de un retroceso brusco.** Posicione su cuerpo a uno de los costados del disco, pero no en línea con el disco. Los retrocesos bruscos pueden hacer que la sierra salte hacia atrás, pero las fuerzas de los retrocesos bruscos las puede controlar el operario tomando las debidas precauciones.
10. **Cuando note que el disco se estanca, o cuando quiera interrumpir un corte por cualquier razón, suelte el gatillo y mantenga la sierra inmóvil en el material hasta que el disco se pare completamente.** No intente nunca extraer el disco de la pieza de trabajo ni tirar de la sierra hacia atrás mientras el disco esté moviéndose porque podrá ocasionar un retroceso brusco. Investigue y tome medidas correctivas para eliminar la causa del estancamiento del disco.
11. **Cuando vaya a poner otra vez en marcha la sierra en la pieza de trabajo, centre el disco en la hendidura y compruebe que los dientes del mismo no estén enganchados en el material.** Si el disco está atascado, podrá salirse de la pieza de trabajo o retroceder bruscamente al poner de nuevo en marcha la sierra.
12. **Apoye los paneles grandes para minimizar el riesgo de que el disco se estanque y retroceda bruscamente.** Los paneles grandes tienden a compararse con su propio peso. Deberá poner apoyos debajo del panel a ambos lados, cerca de la línea de corte y cerca de los bordes del panel.



000154

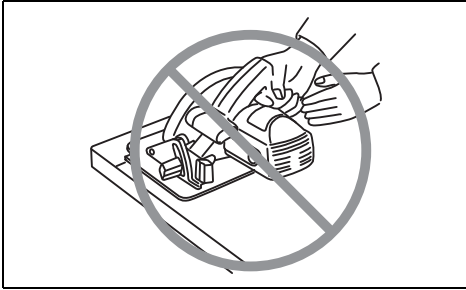


000156

13. **No utilice discos mellados o dañados.** Los discos desafilados o mal ajustados producen una hendidura estrecha que ocasiona excesiva fricción, estancamiento del disco y retrocesos bruscos.
14. **Las palancas de fijación de los ajustes de profundidad y de bisel del disco deben ser apretadas y sujetadas antes de realizar el corte.** Si el ajuste del disco cambia durante el corte, podrá ocasionar un estancamiento y retroceso brusco.



15. **Extreme las precauciones cuando sierre en paredes existentes u otras áreas ciegas.** La parte sobresaliente del disco podrá cortar objetos que pueden ocasionar un retroceso brusco.
16. **Sujete SIEMPRE la herramienta firmemente con ambas manos. No ponga NUNCA la mano ni los dedos detrás de la sierra.** Si se produce un retroceso brusco, la sierra podrá saltar fácilmente hacia atrás sobre su mano, causándole graves heridas personales.



000194

17. **No fuerce nunca la sierra.** Empuje la sierra hacia delante a una velocidad a la que el disco corte sin frenarse. Si fuerza la sierra podrá ocasionar cortes irregulares, pérdida de precisión, y posibles retrocesos bruscos.

#### Función del protector inferior

18. **Compruebe el protector inferior para confirmar que se cierra debidamente antes de cada uso. No utilice la sierra si el protector inferior no se mueve libremente y se cierra instantáneamente. No sujete ni ate nunca el protector inferior en la posición abierta.** Si deja caer accidentalmente la sierra, el protector inferior podrá doblarse. Levante el protector inferior con la palanca retráctil y asegúrese de que se mueve libremente y que no toca el disco ni ninguna otra parte, en todos los ángulos y profundidades de corte.
19. **Compruebe el funcionamiento del resorte del protector inferior.** Si el protector y el resorte no funcionan debidamente, deberá arreglarlos antes de utilizar la herramienta. El protector inferior podrá funcionar lentamente debido a partes dañadas y a acumulaciones pegajosas o de residuos.
20. **El protector inferior puede retraerse manualmente sólo para cortes especiales, tales como "cortes por hundimiento" y "cortes compuestos".** Levante el protector inferior con la palanca retráctil, y tan pronto como el disco entre en el material, deberá liberar el protector inferior. Para todos los demás cortes, el protector inferior deberá funcionar automáticamente.
21. **Antes de dejar la sierra en el banco o en el suelo, observe siempre que el protector inferior esté cubriendo el disco.** Un disco desprotegido, girando por inercia, hará que la sierra se desplace hacia atrás, cortando todo lo que encuentre a su paso. Tenga presente el tiempo que el disco tarda en pararse después de soltar el interruptor.

22. **Para comprobar el protector inferior, ábralo con la mano, después suéltelo y observe que se cierra. Compruebe también para asegurarse de que la manivela retráctil no toca la carcasa de la herramienta.** El dejar el disco expuesto es MUY PELIGROSO y puede acarrear heridas personales graves.

#### Advertencias de seguridad adicionales

23. **Preste atención especial cuando corte madera húmeda, madera tratada a presión, o madera que tenga nudos.** Mantenga uniforme el avance de la herramienta sin que disminuya la velocidad del disco para evitar recalentar los dientes del disco.
24. **No intente retirar material cortado cuando el disco esté moviéndose.** Espere hasta que el disco se pare antes de agarrar el material cortado. Los discos siguen girando por inercia después de apagar la herramienta.
25. **Evite cortar clavos.** Inspeccione la madera y quite todos los clavos antes de realizar el corte.
26. **Ponga la porción más ancha de la base de la sierra en la parte de la pieza de trabajo que esté solidamente apoyada, no en la sección que caerá cuando se haga el corte.** Como ejemplos, la Fig. A muestra la forma CORRECTA de cortar el extremo de un tablero, y la Fig. B la forma INCORRECTA. Si la pieza de trabajo es corta o pequeña, amórdacela. **¡NO INTENTE SUJETAR PIEZAS PEQUEÑAS CON LA MANO!**

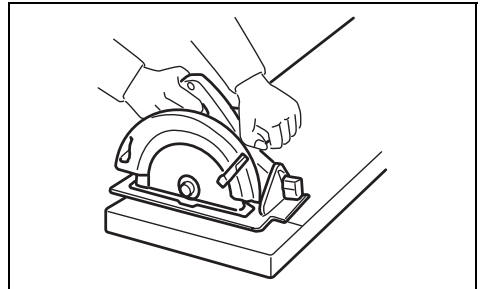


Fig. A

000147

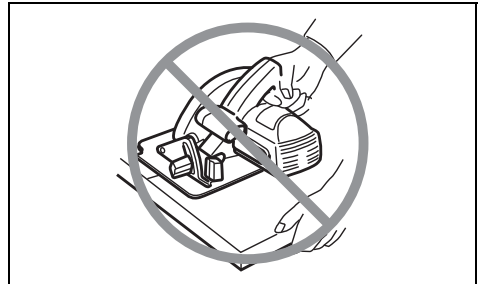
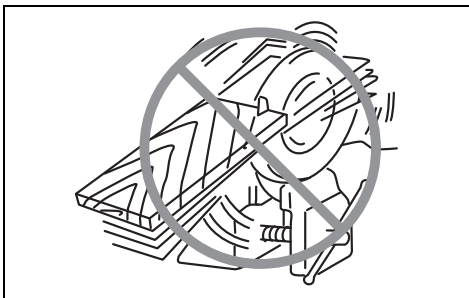


Fig. B

000150

27. **Antes de dejar la herramienta después de completar un corte, asegúrese de que el protector inferior se ha cerrado y que el disco se ha parado completamente.**

28. No intente nunca serrar con la sierra circular sujeta al revés en un tornillo de banco. Es sumamente peligroso y puede ocasionar graves accidentes.



000029

29. Algunos materiales contienen sustancias químicas que podrán ser tóxicas. Tenga precaución para evitar la inhalación de polvo y el contacto con la piel. Siga los datos de seguridad del abastecedor del material.
30. No pare el disco haciendo presión lateral en el disco.
31. Utilice siempre los discos recomendados en este manual. No utilice ningún disco abrasivo.
32. Mantenga el disco afilado y limpio. La cola y la resina de madera endurecidas en el disco frenan la sierra y aumentan las posibilidades de que se produzcan retrocesos bruscos. Mantenga el disco limpio desmontándolo primero de la herramienta, y limpiándolo después con un producto para quitar colas y resina; agua caliente o queroseno. No utilice nunca gasolina.
33. Póngase máscara y protección para los oídos cuando utilice la herramienta.

## GUARDE ESTAS INSTRUCCIONES.

### ⚠ ADVERTENCIA:

NO deje que la comodidad o familiaridad con el producto (a base de utilizarlo repetidamente) sustituya la estricta observancia de las normas de seguridad para el producto en cuestión. El MAL USO o el no seguir las normas de seguridad establecidas en este manual de instrucciones podrá ocasionar graves heridas personales.

## DESCRIPCIÓN DEL FUNCIONAMIENTO

### ⚠ PRECAUCIÓN:

- Asegúrese siempre de que la herramienta esté apagada y desenchufada antes de intentar realizar cualquier tipo de ajuste o comprobación en la ella.

### Ajuste de la profundidad de corte (Fig. 1)

#### ⚠ PRECAUCIÓN:

- Después de ajustar la profundidad de corte, apriete siempre la palanca firmemente.

Afloje la palanca de la guía de profundidad y mueva la base hacia arriba o hacia abajo. En la profundidad de corte deseada, fije la base apretando la palanca.

Para obtener cortes más limpios y seguros, ajuste la profundidad de corte de forma que no sobresalga más de un diente del disco de sierra por debajo de la pieza de trabajo. La utilización de una profundidad de corte apropiada ayuda a reducir la posibilidad de que se produzcan peligrosos RETROCESOS BRUSCOS que pueden ocasionar heridas personales.

### Corte en bisel (Fig. 2, 3 y 4)

Afloje la palanca frontal y la tuerca de orejetas trasera. Ajuste el ángulo deseado ( $0^\circ - 50^\circ$ ) inclinando según corresponda, después apriete la palanca y la tuerca de orejetas firmemente.

Utilice el retenedor de  $45^\circ$  cuando haga cortes de  $45^\circ$  precisos. Gire el retenedor hacia la derecha completamente para corte en bisel ( $0^\circ - 45^\circ$ ) y gírelo hacia la izquierda para cortes en bisel de  $0^\circ - 50^\circ$ .

### Guía visual (Fig. 5)

Para cortes rectos, alinee la posición  $0^\circ$  de la parte delantera de la base con la línea de corte. Para cortes en bisel a  $45^\circ$ , alinee la posición  $45^\circ$  con la misma. La posición de la guía superior es ajustable.

### Accionamiento del interruptor (Fig. 6)

#### ⚠ PRECAUCIÓN:

- Antes de enchufar la herramienta, compruebe siempre para cerciorarse de que el gatillo interruptor se acciona debidamente y que vuelve a la posición "OFF" cuando lo suelta.

Para evitar que el gatillo interruptor pueda accionarse accidentalmente, se ha provisto un botón de desbloqueo. Para poner en marcha la herramienta, presione hacia dentro el botón de desbloqueo y apriete el gatillo interruptor.

Suelte el gatillo interruptor para parar.

No apriete el interruptor de palanca con fuerza sin apretar la palanca de desbloqueo. Esto podrá ocasionar la rotura del interruptor.

Para el modelo HS6101, HS7101

### Encendido de la lámpara (Fig. 7)

#### ⚠ PRECAUCIÓN:

- No mire a la luz ni vea la fuente de luz directamente.

La lámpara se enciende cuando la herramienta está enchufada. La lámpara se mantendrá encendida hasta que la herramienta sea desenchufada.

#### NOTA:

- Utilice un paño seco para quitar la suciedad de la lente de la lámpara. Tenga cuidado de no rayar la lente de la lámpara, porque podrá disminuir la iluminación.
- No utilice gasolina, disolvente o similares para limpiar la lente de la lámpara. Si utiliza tales sustancias se dañará la lente.

## MONTAJE

### PRECAUCIÓN:

- Asegúrese siempre de que la herramienta esté apagada y desenchufada antes de realizar cualquier trabajo en la herramienta.

### Desmontaje o instalación del disco de sierra (Fig. 8)

#### PRECAUCIÓN:

- Asegúrese de que el disco esté instalado con los dientes orientados hacia arriba en la parte frontal de la herramienta.
- Utilice solamente la llave Makita para instalar o desmontar el disco.

Para quitar el disco, presione el bloqueo del eje de forma que el disco no pueda girar y afloje el perno hexagonal girándolo en sentido contrario a las agujas del reloj con la llave hexagonal. Después quite el perno hexagonal, la brida exterior y el disco.

### Para herramienta con la brida interior para un disco de sierra con agujero de 15,88 mm de diámetro (Fig. 9)

Monte la brida interior con su cara rebajada orientada hacia fuera en el eje de montaje y después ponga el disco de sierra, la brida exterior y el perno hexagonal. **ASEGÚRESE DE APRETAR EL PERNO HEXAGONAL EN EL SENTIDO DE LAS AGUJAS DEL RELOJ FIRMEMENTE.**

### Para herramienta con la brida interior para un disco de sierra con agujero diferente de 15,88 mm de diámetro (Fig. 10)

La brida interior tiene una protuberancia de cierto diámetro en una cara de ella y una protuberancia de diámetro diferente en la otra cara. Elija la cara correcta en cuya protuberancia encaje en el agujero del disco de sierra perfectamente.

A continuación, monte la brida interior en el eje de montaje de forma que la cara correcta de la protuberancia de la brida interior quede orientada hacia fuera y después ponga el disco de sierra y la brida exterior.

**ASEGÚRESE DE APRETAR EL PERNO HEXAGONAL EN EL SENTIDO DE LAS AGUJAS DEL RELOJ FIRMEMENTE.**

#### PRECAUCIÓN:

- **Asegúrese de que la protuberancia “a” de la brida interior que está posicionada afuera encaje en el agujero “a” del disco de sierra perfectamente.** Si monta el disco en la cara incorrecta podrá producirse una peligrosa vibración.

Cuando cambie el disco, asegúrese también de limpiar el serrín acumulado en los protectores de disco superior e inferior. Sin embargo, esta tarea no exime de la necesidad de comprobar la operación del protector inferior antes de cada uso. (Fig. 11)

### Para guardar la llave hexagonal (Fig. 12)

Cuando no la esté utilizando, coloque la llave hexagonal como se muestra en la figura para evitar perderla.

### Conexión de un aspirador (Fig. 13 y 14)

Cuando quiera realizar una operación de corte limpia, conecte un aspirador Makita a su herramienta. Instale la boquilla de polvo en la herramienta utilizando el tornillo. Después conecte la manguera del aspirador a la boquilla de polvo como se muestra en la figura.

## OPERACIÓN (Fig. 15)

### PRECAUCIÓN:

- Asegúrese de mover la herramienta hacia delante en línea recta y suavemente. El forzar o torcer la herramienta producirá un recalentamiento del motor y un peligroso retroceso brusco, causando posiblemente graves heridas.
- Utilice siempre una empuñadura delantera y mango trasero y sujete firmemente la herramienta por la empuñadura delantera y el mango trasero durante las operaciones.

Sujete la herramienta firmemente. La herramienta está provista de empuñadura delantera y mango trasero. Utilice ambos para sujetar de forma óptima la herramienta. Si ambas manos están sujetando la herramienta, no habrá peligro de que las corte el disco. Coloque la base sobre la pieza de trabajo a cortar sin el disco haciendo contacto alguno. Después encienda la herramienta y espere hasta que adquiera plena velocidad. Ahora simplemente mueva la herramienta hacia delante sobre la superficie de la pieza de trabajo, manteniéndola plana y avanzando suavemente hasta completar el corte.

Para obtener cortes limpios, mantenga la línea de corte recta y la velocidad de avance uniforme. Si se desvía de la línea de corte prevista, no intente girar ni forzar la herramienta para hacerla volver a la línea de corte. Esta acción podría inmovilizar el disco y ocasionar un peligroso retroceso brusco y posibles heridas graves. Suelte el interruptor, espere hasta que el disco se pare y después retire la herramienta. Realinee la herramienta en una nueva línea de corte, y comience el corte de nuevo. Hay que evitar posturas en las que el operario quede expuesto a las virutas y el serrín que expulsa la sierra. Utilice protección para los ojos para ayudar a evitar heridas.

### Guía lateral (Regla guía) (Fig. 16)

La útil guía lateral le permite hacer cortes rectos muy precisos. Simplemente saque la guía lateral deslizándola hasta ajustarla bien contra el costado de la pieza de trabajo y sujétela en posición con el tornillo de la parte delantera de la base. Con ella también se pueden hacer cortes repetidos de anchura uniforme.

## MANTENIMIENTO

### PRECAUCIÓN:

- Asegúrese siempre de que la herramienta esté apagada y desenchufada antes de intentar realizar la inspección o el mantenimiento.
- No utilice nunca gasolina, bencina, disolvente, alcohol o similares. Podría producir descoloración, deformación o grietas.

### Ajuste para corte preciso de 0° y 45° (corte vertical y de 45°) (Fig. 17 y 18)

Este ajuste se ha hecho en fábrica. Pero si se pierde, ajuste los tornillos de ajuste con una llave hexagonal a la vez que inspecciona los 0° ó 45° del disco con la base usando una escuadra, cartabón, etc.

### Ajuste para paralelismo (Fig. 19)

El paralelismo entre el disco y la base ha sido ajustado en fábrica. Pero si se pierde, puede ajustarlo siguiendo el procedimiento siguiente.

Asegúrese de que todas las palancas y tornillos están apretados. Afloje ligeramente el tornillo como se muestra en la ilustración. Mientras abre el protector inferior, mueva la parte trasera de la base de forma que las distancias A y B sean iguales. Después de ajustar, apriete el tornillo. Haga un corte de prueba para obtener un paralelismo correcto.

### Substitución de las escobillas de carbón (Fig. 20 y 21)

Extraiga e inspeccione regularmente las escobillas de carbón. Sustitúyalas cuando se hayan gastado hasta la marca límite. Mantenga las escobillas de carbón limpias de forma que entren libremente en los portaescobillas. Ambas escobillas de carbón deberán ser sustituidas al mismo tiempo. Utilice únicamente escobillas de carbón idénticas.

Utilice un destornillador para quitar las tapas del portaescobillas. Extraiga las escobillas desgastadas, inserte las nuevas y fije las tapas del portaescobillas.

Después de reemplazar las escobillas, enchufe la herramienta y hágale el rodaje a las escobillas haciendo funcionar la herramienta sin carga durante unos 10 minutos. Después compruebe la herramienta mientras está en marcha y la operación del freno eléctrico cuando suelte el gatillo interruptor. Si el freno eléctrico no funciona correctamente, lleve la herramienta a un centro de servicio Makita a que se la reparen.

Para mantener la SEGURIDAD y la FIABILIDAD del producto, las reparaciones y cualquier otro mantenimiento o ajuste deberán ser realizados por los centros de servicio autorizado de Makita, siempre con piezas de repuesto de Makita.

### ACCESORIOS OPCIONALES

#### PRECAUCIÓN:

• Estos accesorios o acoplamientos están recomendados para utilizar con la herramienta Makita especificada en este manual. El empleo de otros accesorios o acoplamientos conllevará un riesgo de sufrir heridas personales. Utilice los accesorios o acoplamientos solamente para su fin establecido.

Si necesita cualquier ayuda para más detalles en relación con estos accesorios, pregunte al centro de servicio Makita local.

- Discos de sierra
- Guía lateral (Regla guía)
- Carril guía
- Adaptador de carril guía
- Llave hexagonal
- Acoplamiento

#### NOTA:

• Algunos elementos de la lista podrán estar incluidos en el paquete de la herramienta como accesorios estándar. Pueden variar de un país a otro.

### Ruido

El nivel de ruido A-ponderado típico determinado de acuerdo con la norma EN60745:

#### Modelo HS6100, HS6101

Nivel de presión sonora ( $L_{pA}$ ): 89 dB (A)  
Nivel de potencia sonora ( $L_{WA}$ ): 100 dB (A)  
Incerteza (K): 3 dB (A)

#### Modelo HS7100, HS7101

Nivel de presión sonora ( $L_{pA}$ ): 90 dB (A)  
Nivel de potencia sonora ( $L_{WA}$ ): 101 dB (A)  
Incerteza (K): 3 dB (A)

#### Póngase protectores en los oídos

ENG900-1

### Vibración

El valor total de la vibración (suma de vectores triaxiales) determinado de acuerdo con la norma EN60745:

#### Modelo HS6100, HS6101

Modo de trabajo: corte de madera  
Emisión de vibración ( $a_{h, W}$ ): 2,5 m/s<sup>2</sup> o menos  
Incerteza (K): 1,5 m/s<sup>2</sup>

Modo de trabajo: corte de metal  
Emisión de vibración ( $a_{h, M}$ ): 2,5 m/s<sup>2</sup>  
Incerteza (K): 1,5 m/s<sup>2</sup>

#### Modelo HS7100, HS7101

Modo de trabajo: corte de madera  
Emisión de vibración ( $a_{h, W}$ ): 2,5 m/s<sup>2</sup> o menos  
Incerteza (K): 1,5 m/s<sup>2</sup>

Modo de trabajo: corte de metal  
Emisión de vibración ( $a_{h, M}$ ): 2,5 m/s<sup>2</sup>  
Incerteza (K): 1,5 m/s<sup>2</sup>

ENG901-1

- El valor de emisión de vibración declarado ha sido medido de acuerdo con el método de prueba estándar y se puede utilizar para comparar una herramienta con otra.
- El valor de emisión de vibración declarado también se puede utilizar en una valoración preliminar de exposición.

#### ADVERTENCIA:

- La emisión de vibración durante la utilización real de la herramienta eléctrica puede variar del valor de emisión declarado dependiendo de las formas en las que la herramienta sea utilizada.
- Asegúrese de identificar medidas de seguridad para proteger al operario que estén basadas en una estimación de la exposición en las condiciones reales de utilización (teniendo en cuenta todas las partes del ciclo operativo tal como las veces cuando la herramienta está apagada y cuando está funcionando en vacío además del tiempo de gatillo).

**Para países europeos solamente**

**Declaración de conformidad CE**

**Makita declara que la(s) máquina(s) siguiente(s):**

Designación de máquina:

Sierra Circular

Modelo N°/Tipo: HS6100, HS6101, HS7100, HS7101

**Cumplen con las directivas europeas siguientes:**

2006/42/CE

Están fabricadas de acuerdo con las normas o documentos normalizados siguientes:

EN60745

El archivo técnico de acuerdo con la norma 2006/42/CE está disponible en:

Makita, Jan-Baptist Vinkstraat 2, 3070, Bélgica

31.12.2013



Yasushi Fukaya  
Director

Makita, Jan-Baptist Vinkstraat 2, 3070, Bélgica

**Explicação geral**

1 Alavanca	12 Chave hexagonal	23 Aspirador de pó
2 Alavanca frontal	13 Desapertar	24 Tubo
3 Porca de orelhas traseira	14 Apertar	25 Alavanca de fixação
4 Limitador de ângulo	15 Travão do eixo	26 Guia paralela (régua guia)
5 Posição 0°	16 Eixo de montagem	27 Parafuso de regulação para 0°
6 Posição 45°	17 Falange interior	28 Parafuso de regulação para 45°
7 Linha de corte	18 Lâmina da serra	29 Esquadro
8 Parafuso	19 Falange exterior	30 Base
9 Gatilho de interruptor	20 Perno hexagonal	31 Marca limite
10 Botão de segurança	21 Anel	32 Chave de parafusos
11 Luz	22 Bocal	33 Tampa do porta-escovas

**ESPECIFICAÇÕES**

Modelo		HS6100	HS6101	HS7100	HS7101
Diâmetro da lâmina		165 mm		190 mm	
Profundidade máxima de corte	A 0°	54,5 mm		67 mm	
	A 45°	39,5 mm		48,5 mm	
	A 50°	35,5 mm		43,5 mm	
Velocidade em vazio (min <sup>-1</sup> )		5.500			
Comprimento total		297 mm		310 mm	
Peso líquido		3,7 kg	3,7 kg	4,0 kg	4,0 kg
Classe de segurança		I/II			

- Devido a um programa contínuo de pesquisa e desenvolvimento, estas especificações podem ser alteradas sem aviso prévio.
- As especificações podem variar de país para país.
- Peso de acordo com o Procedimento 01/2003 da EPTA (European Power Tool Association)

ENF078-1

**Utilização a que se destina**

A ferramenta foi concebida para executar cortes direitos e cruzados e cortes de esquadria com ângulos em madeira enquanto se mantém em firme contacto com a peça de trabalho. Pode cortar também alumínio com as lâminas da serra apropriadas.

ENF100-1

**Para sistemas públicos de distribuição de baixa voltagem entre 220 V e 250 V**

Alternar a operação de aparelhos eléctricos pode causar flutuações de voltagem. A operação deste aparelho sob condições de alimentação não favoráveis pode ter efeitos adversos na operação de outro equipamento. Com uma impedância de alimentação igual ou inferior a 0,32 ohms pode-se presumir que não haverá efeitos negativos.

A tomada de alimentação utilizada para este aparelho deve ser protegida com um fusível ou um disjuntor protector de circuito que tenha características de disparo lentas.

GEA010-1

**Avisos gerais de segurança para ferramentas eléctricas**

**⚠ AVISO! Leia todas as avisos de segurança e todas as instruções.** O não cumprimento de todos os avisos e instruções pode originar choque eléctrico, incêndio e/ou ferimentos graves.

**Guarde todos os avisos e instruções para futuras referências.**

GEB013-6

**ADVERTÊNCIAS DE SEGURANÇA DA SERRA CIRCULAR**

**Procedimentos de corte**

1. **⚠ PERIGO: Mantenha as mãos afastadas da área de corte e da lâmina. Mantenha a outra mão na pega auxiliar ou na caixa do motor.** Se as duas mãos estiverem a pegar na serra, não podem ser cortadas pela lâmina.
2. **Não toque na superfície inferior da peça de trabalho.** O resguardo não o protege da lâmina debaixo da peça de trabalho.
3. **Regule a profundidade do corte com a espessura da peça de trabalho.** Menos do que um dente da lâmina deve ser visível sob a peça de trabalho.

4. Nunca agarre na peça a ser cortada com as suas mãos ou em cima das pernas. Prenda a peça de trabalho a uma superfície estável. É importante suportar a peça correctamente para minimizar a exposição do corpo, a lâmina encravar ou perda de controlo.



Uma ilustração típica do suporte manual, do suporte da peça e da colocação dos fios (se necessário).

000157

5. Agarre na ferramenta eléctrica somente pelas partes isoladas quando executa uma operação em que a ferramenta de corte pode entrar em contacto com um fio escondido ou com o seu próprio cabo. O contacto com um fio "vivo" também fará com as partes metálicas expostas da ferramenta fiquem "vivas" e podem causar choque eléctrico no operador.
6. Em escarificação use sempre uma guia paralela ou uma guia recta. Melhora a precisão do corte e reduz a possibilidade da lâmina encravar.
7. Use sempre lâminas com o tamanho e forma correcta (de diamante ou arredondados) dos orifícios de suporte. Lâminas que não correspondam às especificações de montagem da serra trabalharão mal causando perda de controlo.
8. Nunca use arruelas ou pernos de lâmina estragados ou incorrectos. As arruelas e pernos da lâmina foram concebidos para a sua serra, para maior rendimento e segurança na operação.

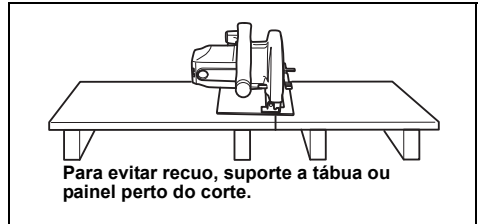
#### Causas de recuos e avisos relacionados

- recuo é uma reacção súbita a uma lâmina da serra presa, entortada ou mal alinhada, que causa com que a serra descontrolada se eleve para fora da peça de trabalho em direcção ao operador.
- quando a lâmina fica presa ou torta pelo fecho do corte, a lâmina atola e a reacção do motor atira a ferramenta para trás, para o operador.
- se a lâmina ficar torta ou mal alinhada no corte, os dentes na extremidade traseira da lâmina podem perfurar a superfície superior da madeira causando com que a lâmina salte do corte em direcção ao operador.

O recuo é o resultado de má utilização e/ou procedimentos ou condições de operação incorrectas e pode ser evitado tomando as precauções adequadas como indicado abaixo.

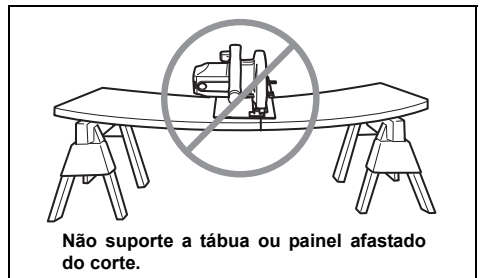
9. Mantenha a serra bem agarrada com as duas mãos e posicione os braços para resistir às forças de recuo. Posicione o seu corpo num dos lados da lâmina, mas não alinhado com a lâmina. O recuo pode fazer com que a serra salte para trás, mas as forças de recuo podem ser controladas pelo operador, se tomar as precauções apropriadas.

10. Quando a lâmina está presa ou quando por qualquer razão interrompe um corte, solte o gatilho e agarre na serra sem se mexer no material até que a lâmina pare completamente. Nunca tente retirar a serra do trabalho ou puxar a serra para trás enquanto a lâmina está em movimento, pois pode ocorrer recuo. Investigue e execute as acções correctivas para eliminar as causas da lâmina encravar.
11. Quando volta a ligar a serra numa peça de trabalho, centre a lâmina da serra no corte e confirme que os dentes da serra não estão presos no material. Se a lâmina da serra estiver encravada, pode saltar ou recuar da peça de trabalho quando liga a serra.
12. Suporte painéis longos para minimizar o risco da lâmina prender e recuar. Painéis longos tendem a ceder sob o próprio peso. Os suportes devem ser colocados sob o painel, nos dois lados, perto da linha de corte e perto da extremidade.



Para evitar recuo, suporte a tábua ou painel perto do corte.

000154

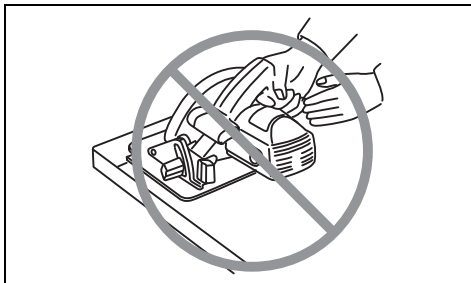


Não suporte a tábua ou painel afastado do corte.

000156

13. Não utilize lâminas rumbas ou estragadas. Lâminas não afiadas ou mal colocadas podem produzir um corte estreito causando excessiva fricção, encravamento da lâmina e recuo.
14. As alavancas de ajuste de profundidade e ângulo de corte devem estar apertadas e presas antes de fazer o corte. Se o ajuste altera durante o corte, pode causar encravamento e recuo.
15. Tenha cuidado especialmente ao serrar em paredes existentes ou outras áreas desconhecidas. A lâmina saliente pode cortar objectos que podem originar recuo.

16. **Agarre SEMPRE na ferramenta firmemente com as duas mãos. NUNCA coloque a sua mão ou dedos atrás da serra.** Se ocorrer recuo, a serra pode facilmente saltar para trás sobre a sua mão, ocasionando danos sérios.



000194

17. **Nunca force a serra. Empurre a serra para a frente a uma velocidade em que a lâmina corte sem enfraquecer.** Forçar a serra pode causar cortes desiguais, perda de precisão e possível recuo.

#### Função do resguardo inferior

18. **Verifique se o resguardo inferior fecha bem antes de cada utilização. Não funcione com a ferramenta se o resguardo inferior não se movimentar livremente e fechar instantaneamente. Nunca prenda o resguardo inferior na posição de aberto.** Se deixar cair a serra, o resguardo inferior pode ficar torto. Levante o resguardo inferior com a pega retratora e certifique-se de que se movimenta livremente e não toca na lâmina ou em qualquer outra parte, em todos os ângulos e profundidades de corte.

19. **Verifique o funcionamento da mola do resguardo inferior. Se o resguardo e a mola não estiverem a funcionar correctamente, devem ser reparados antes da utilização.** O resguardo inferior pode funcionar mal devido a partes estragadas, depósitos pastosos ou acumulação de fragmentos.

20. **O resguardo inferior pode ser retraído manualmente só para cortes especiais, como “cortes penetrantes” e “cortes compostos”.** Levante o resguardo inferior com as pegas retradoras e assim que a lâmina entrar no material o resguardo inferior deve ser libertado. Para outro tipo de operações a guarda inferior deve funcionar automaticamente.

21. **Certifique-se sempre de que o resguardo inferior está a cobrir a lâmina antes de colocar a serra na bancada ou no chão.** Uma lâmina sem protecção, a rodar por inércia, fará com que a serra recue cortando tudo no seu caminho. Preste atenção ao tempo que a lâmina leva a parar depois de soltar o gatilho.

22. **Para inspeccionar o resguardo inferior abra com a mão e veja como é que o resguardo fecha. Certifique-se também de que a pega retratora não toca na caixa da ferramenta.** Deixar a lâmina exposta é MUITO PERIGOSO e pode originar danos pessoais sérios.

#### Avisos adicionais de segurança

23. **Tenha precaução extra quando corta madeira húmida, tratada com pressão ou que tenha nós.** Mantenha o avanço suave da ferramenta sem diminuir a velocidade da lâmina para evitar o superaquecimento das pontas da serra.
24. **Não tente retirar material cortado quando a lâmina está em movimento. Espere até que a lâmina esteja completamente parada antes de pegar no material cortado.** A lâmina continua a rodar depois de desligar a ferramenta.
25. **Evite cortar pregos. Inspeccione e retire todos os pregos da madeira antes de cortar.**
26. **Coloque a porção mais larga da base da serra na parte da peça de trabalho que está firmemente suportada, não na secção que cairá quando faz o corte.** Como exemplos, a Fig. A o modo CORRECTO de cortar a extremidade de uma placa e a Fig. B o modo INCORRECTO. Se a peça de trabalho for curta ou pequena, prenda-a. **NÃO TENHA AGARRAR PEÇAS PEQUENAS COM A MÃO!**

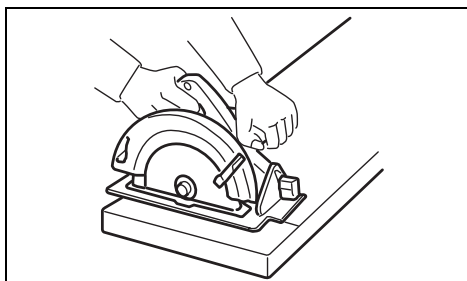


Fig. A

000147

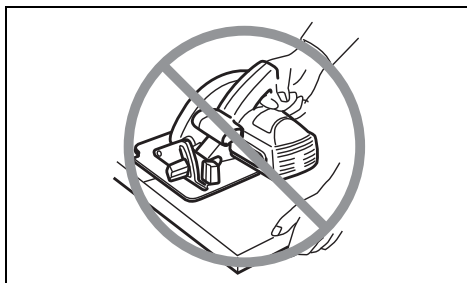


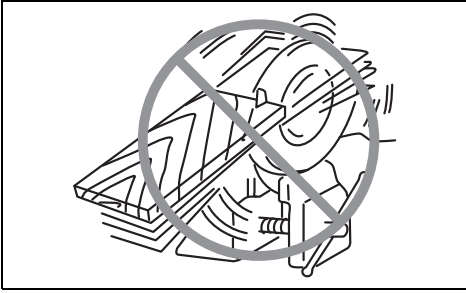
Fig. B

000150

27. **Antes de colocar a ferramenta de lado depois de terminar um corte, certifique-se de que o resguardo inferior fechou e que a lâmina está completamente parada.**



28. Nunca tente serrar com a serra circular presa ao contrário num torno. É extremamente perigoso e pode originar acidentes graves.



000029

29. Alguns materiais contêm químicos que podem ser tóxicos. Tenha cuidado para não inalar pó e contactar a pele. Siga as instruções de segurança do fornecedor.
30. Não pare as lâminas com pressão lateral na lâmina da serra.
31. Utilize sempre lâminas recomendadas neste material. Não utilize discos abrasivos.
32. Mantenha a lâmina afiada e limpa. Resíduos acumulados e pastosos tornam a serra mais lenta e aumentam a possibilidade de recuo. Mantenha a lâmina limpa retirando-a primeiro da serra e limpando-a com detergente, água quente ou querosene. Nunca use gasolina.
33. Use uma máscara contra o pó e protecção para os ouvidos quando utiliza a ferramenta.

## GUARDE ESTAS INSTRUÇÕES.

### ⚠️ AVISO:

NÃO permita que conforto ou familiaridade com o produto (adquirido com o uso repetido) substitua a aderência estrita às regras de segurança da ferramenta. MÁ INTERPRETAÇÃO ou não seguimento das regras de segurança estabelecidas neste manual de instruções pode causar danos pessoais sérios.

## DESCRIÇÃO DO FUNCIONAMENTO

### ⚠️ PRECAUÇÃO:

- Certifique-se sempre de que a ferramenta está desligada e com a ficha retirada da tomada, antes de proceder a afinações ou de verificar o funcionamento respectivo.

### Regulação da profundidade do corte (Fig. 1)

#### ⚠️ PRECAUÇÃO:

- Depois de regular a profundidade de corte, aperte sempre seguramente a alavanca.

Liberte a alavanca na guia de profundidade e desloque a base para cima e para baixo. Na profundidade de corte desejada, prenda a base apertando a alavanca.

Para cortes limpos e seguros, regule a profundidade de corte de forma que apenas um dente da serra fique saliente embaixo da peça de trabalho. Utilizar a profundidade de corte correcta ajuda a reduzir o risco de RECUIOS perigosos que podem causar ferimentos pessoais.

### Corte de bisel (Fig. 2, 3 e 4)

Liberte a alavanca frontal e a porca de orelhas traseira. Regule no ângulo desejado (0° a 50°) inclinando de acordo e, então, aperte a alavanca e a porca de orelhas com firmeza.

Utilize o limitador para ângulo de 45° para efectuar cortes precisos de 45°. Rode o limitador completamente para a direita para cortes de bisel (com ângulos de 0° a 45°) e para a esquerda para cortes de bisel com ângulos de 0° a 50°.

### Mira (Fig. 5)

Para cortes direitos, alinhe a posição 0° na frente da base com a linha de corte. Para cortes de bisel em ângulo de 45°, alinhe na posição 45°. A posição da guia superior é regulável.

### Acção do interruptor (Fig. 6)

#### ⚠️ PRECAUÇÃO:

- Antes de ligar a ferramenta à corrente, verifique sempre se o gatilho funciona correctamente e volta para a posição "OFF" quando libertado.

Para evitar que o gatilho seja acidentalmente accionado, existe um botão de segurança. Para iniciar a ferramenta, empurre o botão de segurança e carregue no gatilho. Liberte o gatilho para parar.

Não aperte demais a alavanca do interruptor sem puxar o botão de segurança. Isto pode danificar o interruptor.

### Para o modelo HS6101, HS7101

### Acender a luz (Fig. 7)

#### ⚠️ PRECAUÇÃO:

- Não olhe directamente na luz nem na fonte luminosa.

A lâmpada acende-se quando a ferramenta é ligada na tomada e continua acesa até que a ferramenta seja desligada da tomada.

#### NOTA:

- Utilize um pano seco para limpar a sujidade da lente da lâmpada. Tenha cuidado para não riscar a lente, pois isso poderá diminuir a iluminação.
- Não utilize gasolina, solvente nem produtos semelhantes para limpar a lente da lâmpada. A utilização dessas substâncias danificará a lente.

## ASSEMBLAGEM

### ⚠️ PRECAUÇÃO:

- Certifique-se sempre de que a ferramenta está desligada e com a ficha retirada da tomada antes de executar qualquer manutenção na ferramenta.

### Retirar ou instalar a lâmina da serra (Fig. 8)

#### ⚠️ PRECAUÇÃO:

- Certifique-se de que a lâmina está instalada com os dentes apontados para a frente da ferramenta.
- Utilize só a chave da Makita para instalar ou retirar a lâmina.

Para retirar a lâmina, pressione o travão do eixo de modo a que a lâmina não se mova e utilize a chave para desapertar o perno hexagonal para a esquerda. Em seguida, retire o perno hexagonal, falange exterior e a lâmina.

### Para ferramenta com falange interior da lâmina de serra com orifício de 15,88 mm de diâmetro (Fig. 9)

Instale no eixo a falange interior com o lado rebaixado virado para fora e coloque a lâmina, falange exterior e perno hexagonal.

CERTIFIQUE-SE DE QUE APERTA FIRMEMENTE O PERNO HEXAGONAL PARA A DIREITA.

### Para ferramenta com falange interior da lâmina de serra com orifício diferente de 15,88 mm de diâmetro (Fig. 10)

A falange interior tem uma saliência com um determinado diâmetro de um lado e outra saliência com um diâmetro diferente do outro lado. Escolha o lado correcto que a saliência encaixe perfeitamente na lâmina da serra.

Em seguida, instale a falange interior no eixo de modo a que a saliência do lado correcto da falange fique virada para fora e coloque a lâmina e a falange exterior.

CERTIFIQUE-SE DE QUE APERTA FIRMEMENTE O PERNO HEXAGONAL PARA A DIREITA.

### ⚠️ PRECAUÇÃO:

- **Certifique-se de que a saliência “a” da falange interior posicionada do lado de fora encaixe perfeitamente no orifício “a” da lâmina da serra.** Instalar a lâmina no lado errado pode resultar em vibração perigosa.

Quando trocando a lâmina, certifique-se também de que limpa o pó de serra acumulado nos resguardos superior e inferior. No entanto, essas providências não substituem a necessidade de verificar o funcionamento do resguardo inferior antes de cada utilização. (Fig. 11)

### Armazenamento da chave hexagonal (Fig. 12)

Quando não a estiver a utilizar, armazene a chave hexagonal como indicado na figura para não a perder.

### Ligar um aspirador de pó (Fig. 13 e 14)

Para realizar uma operação de corte mais limpa, ligue um aspirador de pó Makita à ferramenta. Instale o bocal na ferramenta utilizando o parafuso. A seguir, ligue o tubo do aspirador ao bocal, como ilustrado.

### OPERAÇÃO (Fig. 15)

#### ⚠️ PRECAUÇÃO:

- Certifique-se de que desloca a ferramenta para a frente, suavemente numa linha direita. Forçar ou torcer a ferramenta originará sobreaquecimento do motor e recuo perigoso, podendo causar danos graves.
- Utilize sempre o punho frontal e a pega traseira e agarre na ferramenta firmemente pelo punho frontal e pela pega traseira durante a operação.

Agarre na ferramenta com firmeza. A ferramenta é fornecida com um punho frontal e uma pega traseira. Utilize os dois para melhor agarrar na ferramenta. Se as duas mãos estiverem a agarrar na serra não poderão ser cortadas pela lâmina. Coloque a base na peça de trabalho a ser cortada sem que a lâmina faça qualquer contacto. Em seguida ligue a ferramenta e espere até que a lâmina atinja a velocidade máxima. Depois desloque a ferramenta para a frente sobre a superfície da peça de trabalho, mantendo-a plana e avançando suavemente até que o corte esteja terminado.

Para obter cortes limpos, mantenha a linha de corte direita e a velocidade de avanço uniforme. Se o corte falhar de seguir correctamente a linha de corte pretendida, não tente forçar a ferramenta para voltar atrás na linha de corte. Pode dobrar a lâmina e originar recuo perigoso e possíveis danos graves. Liberte o gatilho, espere que a lâmina pare e em seguida retire a ferramenta. Volte a alinhar a ferramenta numa nova linha de corte, e inicie o corte outra vez. Tente evitar posicionar de modo a que o operador fique exposto a aparas e pó da madeira ejectados pela serra. Use protectores para os olhos para evitar danos.

### Guia paralela (Régua guia) (Fig. 16)

A guia paralela permite-lhe executar cortes direitos extra-precisos. Deslize simplesmente a guia paralela para cima contra o lado da peça de trabalho e prenda-a na posição com o parafuso na frente da base. Também torna possível cortes repetidos com espessura uniforme.

### MANUTENÇÃO

#### ⚠️ PRECAUÇÃO:

- Certifique-se sempre de que a ferramenta está desligada e com a ficha retirada da tomada antes de tentar proceder à inspecção, ou à manutenção da ferramenta.
- Nunca utilize gasolina, benzina, diluente, álcool ou produtos semelhantes. Pode ocorrer a descoloração, deformação ou rachaduras.

### Regulação para precisão de cortes de 0° e 45° (corte vertical e 45°) (Fig. 17 e 18)

Esta regulação foi feita na fábrica. Mas se estiver desregulado, ajuste os parafusos de regulação com uma chave hexagonal enquanto alinha a lâmina com a base num ângulo de 0° ou 45° utilizando um esquadro, régua, etc.

### Regulação do paralelismo (Fig. 19)

O paralelismo entre a lâmina e a base foi regulado na fábrica. No entanto, se estiver desregulado, pode ajustar com o seguinte procedimento.

Certifique-se de que todas as alavancas e parafusos estejam apertados. Desaperte ligeiramente os parafusos, como ilustrado. Enquanto abre o resguardo inferior, mova a parte traseira da base de modo a que as distâncias A e B sejam idênticas. Aperte bem o parafuso após a regulação. Realize um corte de teste para obter o paralelismo correcto.

### Substituição das escovas de carvão (Fig. 20 e 21)

Retire e verifique regularmente as escovas de carvão. Substitua-as quando estiverem gastas até à marca limite. Mantenha as escovas de carvão limpas e a deslizarem nos suportes. As duas escovas de carvão devem ser substituídas ao mesmo tempo. Só utilize escovas de carvão idênticas.

Utilize uma chave de parafusos para retirar as tampas do porta-escovas. Retire as escovas de carvão usadas, coloque as novas e prenda as tampas do porta-escovas.

Depois de trocar as escovas, ligue a ferramenta na tomada e funcione-a em vazio por cerca de 10 minutos para amaciar as escovas. Verifique a ferramenta em funcionamento e o desempenho do freio eléctrico ao soltar o gatilho do interruptor. Se o freio eléctrico não funcionar correctamente, leve a ferramenta ao centro de assistência da Makita para consertar.

Para manter a SEGURANÇA e FIABILIDADE, as reparações e outras acções de manutenção ou ajustes devem ser executados pelos Centros de assistência autorizados da Makita, utilizando sempre peças de substituição Makita.

- O valor da emissão de vibração indicado foi medido de acordo com o método de teste padrão e pode ser utilizado para comparar duas ferramentas.
- O valor da emissão de vibração indicado pode também ser utilizado na avaliação preliminar da exposição.

## ACESSÓRIOS OPCIONAIS

### ⚠ PRECAUÇÃO:

- Estes acessórios ou acoplamentos são os recomendados para uso na ferramenta Makita especificada neste manual. A utilização de quaisquer outros acessórios ou acoplamento poderá ser perigosa para o operador. Os acessórios ou acoplamentos devem ser utilizados de maneira adequada e apenas para os fins a que se destinam.

No caso de necessitar ajuda para mais detalhes sobre estes acessórios, consulte ao departamento de assistência local da Makita.

- Lâminas da serra
- Guia paralela (régua guia)
- Trilho guia
- Adaptador do trilho guia
- Chave hexagonal
- Junta

### NOTA:

- Alguns itens da lista podem estar incluídos na embalagem da ferramenta como acessórios padrão. Eles podem variar de país para país.

ENG905-1

## Ruído

A característica do nível de ruído A determinado de acordo com EN60745:

### Modelo HS6100, HS6101

Nível de pressão de som ( $L_{pA}$ ): 89 dB (A)

Nível do som ( $L_{WA}$ ): 100 dB (A)

Variabilidade (K): 3 dB (A)

### Modelo HS7100, HS7101

Nível de pressão de som ( $L_{pA}$ ): 90 dB (A)

Nível do som ( $L_{WA}$ ): 101 dB (A)

Variabilidade (K): 3 dB (A)

**Utilize protectores para os ouvidos**

ENG900-1

## Vibração

O valor total da vibração (soma vectorial tri-axial) determinado de acordo com EN60745:

### Modelo HS6100, HS6101

Modo de trabalho: cortar madeira

Emissão de vibração ( $a_{h,v}$ ): 2,5 m/s<sup>2</sup> ou inferior

Variabilidade (K): 1,5 m/s<sup>2</sup>

Modo de trabalho: cortar metal

Emissão de vibração ( $a_{h,M}$ ): 2,5 m/s<sup>2</sup>

Variabilidade (K): 1,5 m/s<sup>2</sup>

### Modelo HS7100, HS7101

Modo de trabalho: cortar madeira

Emissão de vibração ( $a_{h,v}$ ): 2,5 m/s<sup>2</sup> ou inferior

Variabilidade (K): 1,5 m/s<sup>2</sup>

Modo de trabalho: cortar metal

Emissão de vibração ( $a_{h,M}$ ): 2,5 m/s<sup>2</sup>

Variabilidade (K): 1,5 m/s<sup>2</sup>

### ⚠ AVISO:

- A emissão de vibração durante a utilização real da ferramenta eléctrica pode diferir do valor de emissão indicado, dependendo das formas como a ferramenta é utilizada.
- Certifique-se de identificar as medidas de segurança para protecção do operador que sejam baseadas em uma estimativa de exposição em condições reais de utilização (considerando todas as partes do ciclo de operação, tal como quando a ferramenta está desligada e quando está a funcionar em marcha lenta além do tempo de accionamento).

ENH101-17

## Só para países Europeus

### Declaração de conformidade CE

#### A Makita declara que a(s) seguinte(s) máquina(s):

Designação da ferramenta:

Serra Circular

Modelos n°/Tipo: HS6100, HS6101, HS7100, HS7101

#### Em conformidade com as seguintes directivas europeias:

2006/42/CE

São fabricadas de acordo com as seguintes normas ou documentos normalizados:

EN60745

O ficheiro técnico de acordo com a 2006/42/CE está disponível em:

Makita, Jan-Baptist Vinkstraat 2, 3070, Bélgica

31.12.2013



Yasushi Fukaya

Director

Makita, Jan-Baptist Vinkstraat 2, 3070, Bélgica

**Illustrationsoversigt**

1 Håndtag	12 Sekskantnøgle	23 Støvsuger
2 Forreste arm	13 Løsn	24 Slange
3 Bageste vingemøtrik	14 Stram	25 Fastspændingsarm
4 Stopper	15 Aksellås	26 Parallellanslag (anslagslineal)
5 0° position	16 Monteringssskaft	27 Justeringssskrue for 0°
6 45° position	17 Indre flange	28 Justeringssskrue for 45°
7 Snitlinje	18 Savblad	29 Trekantet lineal
8 Skrue	19 Ydre flange	30 Grundplade
9 Afbryderknap	20 Sekskantbolt	31 Slidgrænse
10 Aflåseknap	21 Ring	32 Skruetrækker
11 Lys	22 Støvmundstykke	33 Kuldæksel

**SPECIFIKATIONER**

Model		HS6100	HS6101	HS7100	HS7101
Savbladsdiameter		165 mm		190 mm	
Maksimal skæredybde	ved 0°	54,5 mm		67 mm	
	ved 45°	39,5 mm		48,5 mm	
	ved 50°	35,5 mm		43,5 mm	
Omdrejning (min <sup>-1</sup> )		5 500			
Længde		297 mm		310 mm	
Vægt		3,7 kg	3,7 kg	4,0 kg	4,0 kg
Sikkerhedsklasse		II/III			

- På grund af vores kontinuerlige forskningsprogrammer og udvikling, kan hosstående specifikationer blive ændret uden varsel.
- Specifikationer kan variere fra land til land.
- Vægt i henhold til EPTA-Procedure 01/2003

GEB013-6

ENE078-1

**Tilsigtet anvendelse**

Denne maskine er beregnet til at lave lige skæringer i længden og bredden og geringskæringer med vinkler i træ med maskinen i tæt berøring med arbejdsstykket. Ved hjælp af passende savblade kan der også skæres i aluminium.

ENF100-1

**For offentlige lavspændingsnet på mellem 220 V og 250 V**

Tænd og sluk af elektriske apparater medfører spændingssvingninger. Anvendelse af denne maskine under uheldige lysnetforsyningsforhold kan have negativ indflydelse på driften af andet udstyr. Ved en netimpedans svarende til eller mindre end 0,32 ohm, kan det antages, at der ikke vil være negative påvirkninger.

Stikkontakten, der anvendes til denne maskine, skal være beskyttet med en sikring eller en beskyttelsesafbryder med træg udløsning.

GEA010-1

**Almindelige sikkerhedsregler for el-værktøj**

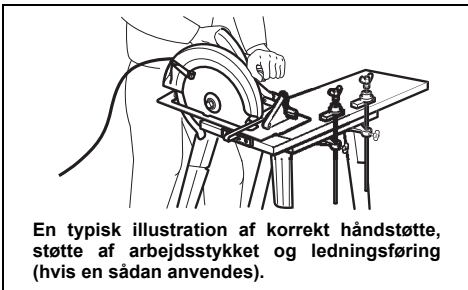
**⚠ ADVARSEL! Læs alle sikkerhedsadvarsler og alle sikkerhedsinstruktioner.** Hvis nedenstående advarsler og instruktioner ikke overholdes, kan resultatet blive elektrisk stød, brand og/eller alvorlig personskade.

**Gem alle advarsler og instruktioner til fremtidig reference.**

**SIKKERHEDSADVARSLER FOR RUNDSAV**

**Fremgangsmåde for skæring**

1. **⚠ FARE: Hold hænderne på god afstand af savestedet og klingens. Hold den anden hånd på hjælpehåndtaget eller motorhuset.** Hvis De holder saven med begge hænder, kan klingens ikke komme til at skære i dem.
2. **Ræk ikke ned under arbejdsstykket.** Beskyttelses-skærmen kan ikke beskytte Dem mod klingens nederen under arbejdsstykket.
3. **Juster skæredybden til tykkelsen af arbejdsstykket.** Mindre end en hel tand i klingetænderne bør være synlig under arbejdsstykket.
4. **Hold aldrig det arbejdsstykke, som skæres, i hænderne eller over benet. Fastgør arbejdsstykket til en stabil overflade.** Det er vigtigt at understøtte arbejdsstykket ordentligt for at minimere faren for kropskontakt, klingebinding og tab af herredømet over maskinen.



En typisk illustration af korrekt håndstøtte, støtte af arbejdsstykket og ledningsføring (hvis en sådan anvendes).

000157

5. Hold kun maskinen i dens isolerede grebflader, når De udfører et stykke arbejde, hvor maskinen kan komme i berøring med skjulte ledninger eller dens egen ledning. Kontakt med en strømførende ledning vil bevirke, at synlige metaldele på maskinen bliver strømførende, hvorved operatøren kan få stød.
6. Ved kløvning skal der altid anvendes et parallelslag eller et lige kantanslag. Dette vil forbedre nøjagtigheden og nedsætte risikoen for at klingens binder.
7. Anvend altid klinger af korrekt størrelse og form (diamant eller rund) i dornhuller. Klinge, som ikke passer til savens monteringsdele vil køre excentrisk, hvilken vil medføre tab af herredømmet over maskinen.
8. Anvend aldrig beskadigede eller forkerte spændeskiver og bolte. Klingens spændeskiver og bolte er specielt fremstillede til Deres sav og til optimal ydelse og sikker anvendelse.

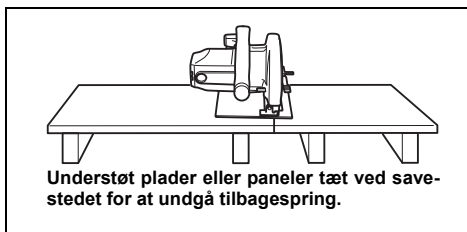
#### Årsager til tilbageslag og relaterede advarsler

- tilbageslag er en pludselig reaktion på en fastklemt, bundet eller fejlrettet savklinge, som bevirker, at en ukontrolleret sav løftes op og ud af arbejdsstykket i retning mod operatøren,
- når klingens er fastklemt eller bundet stramt ved at savsnittet lukkes, vil klingens gå i stå og motorreaktionen vil drive enheden hurtigt tilbage i retning mod operatøren,
- hvis klingens bøjes eller fejlrettes i skæresnittet, kan tænderne på bagkanten af klingens grave sig ind i træets overflade, hvorved klingens kan smutte ud af savsnittet og springe tilbage i retning mod operatøren.

Tilbageslag er et resultat af forkert anvendelse af savens/eller forkert fremgangsmåde for anvendelse eller tilstande og kan undgås ved at man tager de rigtige forholdsregler som vist herunder.

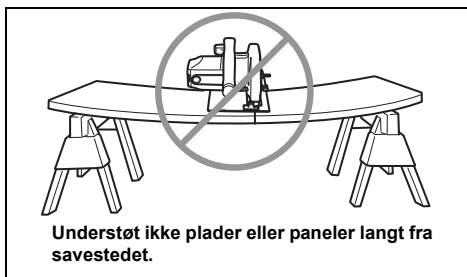
9. Oprethold et fast greb med begge hænder på savens og hold armene således, at tilbageslagskraften modvirkes. Stil Dem på begge sider af klingens, men ikke på linje med den. Tilbageslag kan bevirke, at savens springer bagud, men tilbageslagskraften kan kontrolleres af operatøren, hvis de rigtige forholdsregler foretages.

10. Hvis bladet binder eller hvis skæringen af en eller anden årsag afbrydes, skal afbryderkontakten slippes og savens skal holdes stationær i materialet, indtil klingens er helt standset. Forsøg aldrig at fjerne savens fra arbejdsstykket eller trække savens bagud, mens klingens er i bevægelse, da dette kan medføre tilbageslag. Undersøg situationen og træf afhjælpningsforanstaltninger til at eliminere årsagen til at klingens binder.
11. Når savens genstartes i arbejdsstykket, skal den centreres midt i savsnittet og det skal kontrolleres, at savtænderne ikke er i kontakt med materialet. Hvis savklingens binder, er der risiko for, at den bevæger sig opad eller slår tilbage fra arbejdsstykket, når savens startes igen.
12. Anvend store støtteplader til at minimere risikoen for fastklemning af klingens og tilbageslag. Store plader har tendens til at synke under deres egen vægt. Støtter skal bringes under pladerne på begge sider, i nærheden af skærelinjen og kanten af pladen.



Understøt plader eller paneler tæt ved savstedet for at undgå tilbagespring.

000154

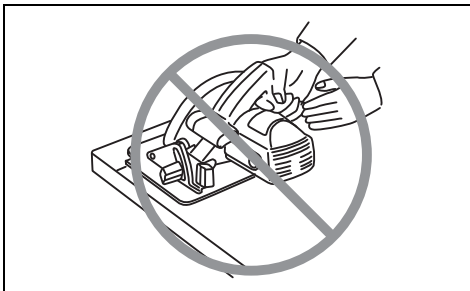


Understøt ikke plader eller paneler langt fra savstedet.

000156

13. Anvend ikke sløve og beskadigede klinger. Uskærpede eller forkert monterede klinger frembringer et snævert savsnit, som medfører at klingens binder og der opstår tilbageslag.
14. Låsegrebene til klingedybde og skråsnitindstilling skal være stramme og sikre, inden skæringen påbegyndes. Hvis klingeindstillingen ændrer sig under skæringen, kan der opstå binding og tilbageslag.
15. Vær særlig påpasselig ved savning i eksisterende vægge eller andre blinde områder. Bladet, som stikker frem, kan skære i genstande, som kan medføre tilbageslag.

16. Hold **ALTID** fast i maskinen med begge hænder. Anbring **ALDRIG** Deres hånd eller fingre bag saven. Hvis der opstår tilbageslag, kan saven nemt springe bagud over Deres hånd, hvorved der kan ske alvorlig personskade.



000194

17. Pres aldrig saven. Tryk saven fremad med en hastighed, så klingens skæring uden at hastigheden sænkes. Hvis De gør det, kan der opstå uensartede skæringer, tab af præcision, og muligt tilbageslag.

#### Funktion af nederste beskyttelsesskærm

18. Kontroller, at den nederste beskyttelsesskærm lukker korrekt inden hver brug. Anvend ikke saven, hvis den nederste beskyttelsesskærm ikke bevæger sig frit og lukker med det samme. Den nederste beskyttelsesskærm må aldrig fastspændes eller fastbindes i den åbne stilling. Hvis saven ved et uheld tapes, kan den nederste beskyttelsesskærm blive bøjet. Hæv den nederste beskyttelsesskærm med tilbagetrækningshåndtaget og kontroller, at den bevæger sig frit og ikke kommer i berøring med klingens eller andre dele i alle vinkler og skæredybder.
19. Kontroller den nederste skærnfjeders funktion. Hvis skærmen og fjederen ikke fungerer korrekt, skal de serviceres inden brugen. Den nederste beskyttelsesskærm kan fungere trægt på grund af beskadigede dele, gummi aflejringer eller ansamling af affaldsstoffer.
20. Den nederste beskyttelsesskærm kan trækkes tilbage manuelt for specielle skæringer, som f.eks. "stikskæringer" og "miterskæringer". Hæv den nederste beskyttelsesskærm ved at trække håndtaget tilbage, og så snart klingens går ind i materialet, bør den nederste beskyttelsesskærm slippes. Ved alle andre former for savning skal den nedre beskyttelseskæppe have lov at bevæge sig automatisk.
21. Sørg altid for, at den nederste beskyttelsesskærm dækker klingens, inden saven anbringes på bænken eller gulvet. En ubeskyttet, roterende klinge vil bevirke, at saven bevæger sig bagud og skærer i alt, hvad der er i dens bane. Vær opmærksom på den tid, det tager for klingens at stoppe, efter at afbryderkontakten er sluppet.
22. For at kontrollere den nederste beskyttelsesskærm, skal man åbne den med hånden og derefter slippe den og bekræfte lukningen af skærmen. Kontroller ligeledes, at tilbagetrækningshåndtaget ikke kommer i berøring med maskinhuset. At efterlade klingen synlig kan være **MEGET FARLIGT** og føre til alvorlig personskade.

#### Supplerende sikkerhedsforskrifter

23. Vær ekstra forsigtig, hvis De skærer i fugtigt træ, trykbehandlet tømmer eller træ, som har knaster. Foretag en jævn fremføring af maskinen uden at mindske klingehastigheden, således at overophedning af klingespidsene undgås.
24. Forsøg ikke at fjerne afskåret materiale, mens klingens roterer. Vent indtil klingens er standset, inden De fjerner afskåret materiale. Klingens fortsætter med at rotere, efter at der er slukket for maskinen.
25. Undgå søm, når De skærer. Se efter om der er søm i tømmeret og fjern i bekræftende fald alle søm, inden skæringen påbegyndes.
26. Anbring den bredeste del af savbasen på den del af arbejdsstykket, som er solidt understøttet, ikke på den del, som vil falde af, når skæringen er fuldført. Eksempelvis viser Fig. A den RIGTIGE måde at skære enden af et bræt af på, og Fig. B viser den **FORKORTE** måde. Hvis arbejdsstykket er kort eller lille, skal det spændes fast. **FORSØG IKKE AT HOLDE KORTE ARBEJDSSTYKKER FAST MED HÅNDEN!**

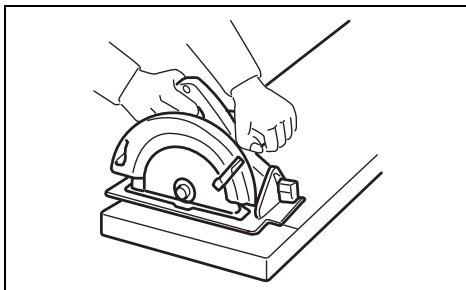


Fig. A

000147

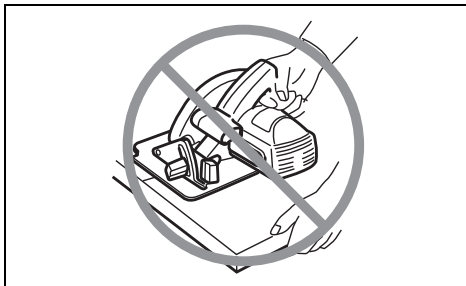
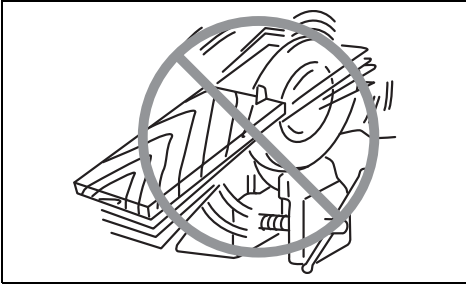


Fig. B

000150

27. Inden De lægger maskinen fra Dem efter at have fuldført en skæring, skal De være sikker på, at den nederste beskyttelsesskærm er lukket og at klingens er standset fuldstændigt.

28. Forsøg aldrig at save med rundsaven holdt på hovedet i en skruetvinge. Dette er yderst farligt og kan føre til alvorlige ulykker.



000029

29. Noget materiale indeholder visse kemikalier, som kan være giftige. Vær påpasselig med ikke at indånde støv, og undgå hudkontakt. Følg fabrikantens sikkerhedsdata.
30. Stop ikke klingerne ved hjælp af lateralt tryk på savklingen.
31. Anvend altid de i denne brugsvejledning anbefalede klinger. Anvend ikke slibeskiver.
32. Hold altid klingens skarp og ren. Gummi og træbeg, som er størket på klingens, gør saven langsommere og øger risikoen for tilbageslag. Hold altid klingens ren ved først at tage den af maskinen og derefter rengøre den med en gummi- og begfjerner, varmt vand eller petroleum. Benzin må aldrig anvendes.
33. Bær altid støvmaske og høreværn, når De anvender maskinen.

## GEM DISSE FORSKRIFTER.

### ⚠ ADVARSEL:

LAD IKKE bekvemmelighed eller kendskab til produktet (opnået gennem gentagen brug) forhindre, at sikkerhedsforskrifterne for produktet nøje overholdes. MISBRUG eller forsømmelse af at følge de i denne brugsvejledning givne sikkerhedsforskrifter kan føre til, at De kommer alvorligt til skade.

## FUNKTIONSBESKRIVELSE

### ⚠ FORSIGTIG:

- Kontroller altid, at maskinen er slået fra, og at netstikket er trukket ud, før der udføres justeringer eller funktioner kontrolleres på denne maskine.

### Justering af skæredybde (Fig. 1)

#### ⚠ FORSIGTIG:

- Spænd altid håndtaget forsvarligt til efter justering af skæredybden.

Løs håndtaget på dybdeguiden og bevæg grundpladen op eller ned. Ved den ønskede skæredybde gøres grundpladen fast ved at spænde håndtaget til.

Renere og sikrere skæringer kan opnås, hvis man indstiller skæredybden således, at ikke flere end en enkelt savtand stikker ud under arbejdsstykket. Anvendelse af en rigtig skæredybde bidrager til at reducere risikoen for farlige TILBAGESLAG, som kan medføre kvæstelser.

## Geringssnit (Fig. 2, 3 og 4)

Løsn den forreste arm og den bageste vingemøtrik. Indstil til den ønskede vinkel (0° – 50°) ved at flytte i overensstemmelse hermed, og stram derefter armen og vingemøtrikken godt til.

Anvend 45° stopperen, hvis en præcis 45° graders skæring ønskes. Drej stopperen hele vejen med uret for geringsskæring (0° – 45°) og drej den mod uret for 0° – 50° geringsskæringer.

## Snitlinjer (Fig. 5)

Ved lige snit rettes 0° positionen på forkanten af grundpladen ind efter snitlinjen. Ved 45° geringssnit rettes 45° positionen ind efter den. Det øverste anlags position er justerbart.

## Afbryderkontakt (Fig. 6)

### ⚠ FORSIGTIG:

- Før maskinen sættes til stikkontakten, bør De altid kontrollere, at afbryderknappen fungerer korrekt og returnerer til "OFF"-positionen, når den slippes.

Til forhindring af utilsigtet indtrykning af afbryderknappen, er maskinen udstyret med aflåseknop. For at starte maskinen, skal man trykke aflåseknappen ind og trykke på afbryderknappen. Slip afbryderknappen for at stoppe. Undlad at trække kraftigt i afbryderarmen uden at trække i aflåsearmen. Dette kan medføre brud på afbryderarmen.

## For Model HS6101, HS7101

## Tænding af lampen (Fig. 7)

### ⚠ FORSIGTIG:

- Se ikke direkte ind i lyset eller ind i lyskilden.

Lampen tændes, når maskinen sættes i forbindelse. Lampen fortsætter med at lyse, indtil maskinen tages ud af forbindelse.

### BEMÆRK:

- Brug en tør klud til at tørre snavs af lampens linse. Vær påpasselig med ikke at komme til at ride lensen, da dette kan forringe belysningen.
- Brug ikke benzin, fortynder eller lignende til at rengøre lampens linse. Brug af sådanne substanser vil beskadige lensen.

## SAMLING

### ⚠ FORSIGTIG:

- Sørg altid for, at maskinen er afbrudt og taget ud af forbindelse, inden der udføres noget arbejde på maskinen.

## Afmontering og montering af savblad (Fig. 8)

### ⚠ FORSIGTIG:

- Sørg for at montere savbladet med dets tænder vendende opad på den forreste del af maskinen.
- Anvend kun Makita-nøglen til montering og afmontering af savbladet.

For at afmontere savbladet, skal man trykke på spindel-låsen, således at savbladet ikke kan dreje, og anvende sekskantnøglen til at løsne sekskantbolten i retningen mod uret. Fjern derefter sekskantbolten, den ydre flange og savbladet.

### For en maskine med den indre flange for savblad med 15,88 mm hul-diameter (Fig. 9)

Monér den indre flange med siden med fordybningen vendende udad på monteringskaffet, og anbring derefter savbladet, den ydre flange og sekskantbolten på plads.

SØRG FOR AT STRAMME SEKSKANTBOLTEN GODT TIL I RETNINGEN MED URET.

### For maskine med den indre flange for savblad med en anden hul diameter end 15,88 mm (Fig. 10)

Den indre flange har et vist diameter-fremspring på den ene side af den og et andet diameter-fremspring på den anden side. Vælg den rigtige side på hvilken fremspringet passer perfekt ind i savbladet.

Monér derefter den indre flange på monteringskaffet således, at den rigtige side af fremspringet på den indre flange vender udad, og anbring derefter savbladet og den ydre flange på plads.

SØRG FOR AT STRAMME SEKSKANTBOLTEN GODT TIL I RETNINGEN MED URET.

#### ⚠ FORSIGTIG:

- Sørg for, at fremspringet "a" på den indre flange, som er placeret udvendigt, passer ind i savbladets hul "a" på perfekt vis. Hvis savbladet monteres på den forkerte side, kan resultatet blive farlig vibration.

Når der skiftes savblad, skal man sørge for også at rengøre den øverste og nederste beskyttelsesskærm for savsmuld, der har samlet sig. Det vil dog stadig være nødvendigt at kontrollere funktionen af den nederste beskyttelsesskærm inden hver brug. (Fig. 11)

### Opbevaring af sekskantnøglen (Fig. 12)

Når sekskantnøglen ikke anvendes, skal den opbevares som vist på illustrationen, så den ikke bortkommer.

### Tilslutning af en støvsuger (Fig. 13 og 14)

Hvis man ønsker at udføre rene snit, skal man slutte en Makita støvsuger til maskinen. Monter støvmundstykket på maskinen ved hjælp af skruen. Slut derefter støvsugerens slange til støvmundstykket som vist på illustrationen.

### ANVENDELSE (Fig. 15)

#### ⚠ FORSIGTIG:

- Sørg for at føre maskinen forsigtigt frem i en lige linje. Hvis maskinen tvinges eller drejes, vil resultatet blive overophedning af motoren og farligt tilbageslag med risiko for personskade.
- Anvend altid det forreste greb og det bageste håndtag og fasthold maskinen godt med både det forreste greb og det bageste håndtag under savningen.

Hold godt fast i maskinen. Maskinen er udstyret med både et fronthåndtag og et baghåndtag. Brug begge hænder, så et fast greb i maskinen opnås. Hvis De holder i maskinen med begge hænder, kan De ikke skære dem på savbladet. Indstil grundpladen på arbejdsemnet til skæring uden at savbladet kommer i kontakt. Tænd derefter for maskinen og vent indtil savbladet er kommet op på fuld hastighed. Bevæg nu ganske enkelt maskinen fremad og henover arbejdsemnets overflade, idet De holder den fladt og fremfører den jævnt, indtil savningen er fuldført.

For at opnå rene snit, skal De holde savelinjen lige og fremføringshastigheden jævn. Hvis snittet ikke følger Deres planlagte snitlinje på korrekt vis, må De ikke forsøge at dreje eller tvinge maskinen tilbage til snitlinjen. Dette kan lase bladet og føre til farlige tilbageslag og eventuel personskade. Slip afbryderen og vent til savbladet er stoppet og træk derefter maskinen tilbage. Sæt maskinen ud for en ny snitlinje og begynd at save igen. Prøv at undgå en placering, som udsætter operatøren for spåner og savsmuld, som frembringes af saven. Anvend øjenbeskyttelse, så tilskadekomst undgås.

### Parallellanslag (anslagslineal) (Fig. 16)

Det praktiske parallellanslag gør det muligt at udføre særligt nøjagtige lige snit. De behøver blot at trykke parallellanslaget helt op mod siden af arbejdsemnet og fastgøre det i stilling med skruen foran på grundpladen. Det muliggør også gentagen savning med ens bredde.

### VEDLIGEHOLDELSE

#### ⚠ FORSIGTIG:

- Kontrollér altid, at maskinen er slået fra, og at netstikket er trukket ud, før der udføres eftersyn eller vedligeholdelse.
- Anvend aldrig benzin, rensebenzin, fortynder, alkohol og lignende. Resultatet kan blive misfarvning, deformation eller revner.

### Justering for præcise 0° og 45° snit (lodrette og 45° snit) (Fig. 17 og 18)

Denne justering er udført på fabrikken. Men hvis den er ukorrekt, skal justeringsskrue indstilles ved hjælp af en sekskantnøgle, mens man inspicerer 0° eller 45° savbladet med grundpladen med brug af en trekantet lineal eller en firkantet lineal etc.

### Paralleljustering (Fig. 19)

Parallellismen mellem savbladet og grundpladen er indstillet på fabrikken. Men hvis den er ukorrekt, kan den justeres med følgende fremgangsmåde. Sørg for, at alle arme og skrue er strammet. Løsn skrueerne en smule som illustreret. Abn den nederste beskyttelsesskærm og flyt bagkanten af grundpladen, så afstanden A og B er ens. Efter justering, strammes skruen. Udfør en test for at opnå en korrekt parallelisme.

### Udskiftning af kul (Fig. 20 og 21)

Udtag og efterse kullene med regelmæssige mellemrum. Udskift kullene, når de er slidt ned til slidmarkeringen. Hold kullene rene og i stand til frit at glide ind i holderne. Begge kul skal udskiftes parvist samtidigt. Anvend kun identiske kulbørster. Benyt en skruetrækker til at afmontere kulholderdækslerne. Tag de slidte kul ud, isæt de nye og fastgør derefter kulholderdækslerne.

Efter at børsterne er skiftet ud, sættes maskinen i forbindelse, og børsterne indkøres ved at man lader maskinen køre uden belastning i omkring 10 minutter. Kontrollér derefter maskinen, mens den kører, samt den elektriske bremsefunktion, når afbryderknappen slippes. Hvis den elektriske bremse ikke fungerer korrekt, skal maskinen indleveres til reparation på et Makita servicecenter.

For at opretholde produktets SIKKERHED og PÅLIDELIGHED bør reparation, vedligeholdelse og justering kun udføres af et Makita Service Center med anvendelse af originale Makita udskiftningsdele.



**⚠ FORSIGTIG:**

- Det i denne manual specificerede tilbehør og anordninger anbefales til brug sammen med Deres Makita maskine. Brug af andet tilbehør og andre anordninger kan udgøre en risiko for personskaade. Anvend kun tilbehør og anordninger til de beskrevne formål.

Hvis De behøver assistance eller yderligere detaljer om dette tilbehør, bedes De kontakte Deres lokale Makita servicecenter.

- Savblade
- Parallelslag (anslagslineal)
- Anslagsstyr
- Anslagsstyr-adapter
- Sekskantnøgle
- Led

**BEMÆRK:**

- Nogle ting på denne liste kan være inkluderet i værktøjspakken som standardtilbehør. Det kan være forskellige fra land til land.

ENG905-1

**Lyd**

Det typiske A-vægtede støjniveau bestemt i overensstemmelse med EN60745:

**Model HS6100, HS6101**

Lydtrykkniveau ( $L_{pA}$ ): 89 dB (A)  
 Lydeffektniveau ( $L_{WA}$ ): 100 dB (A)  
 Usikkerhed (K): 3 dB (A)

**Model HS7100, HS7101**

Lydtrykkniveau ( $L_{pA}$ ): 90 dB (A)  
 Lydeffektniveau ( $L_{WA}$ ): 101 dB (A)  
 Usikkerhed (K): 3 dB (A)

**Bær hørevern**

ENG900-1

**Vibration**

Vibrations totalværdi (tre-aksial vektorsum) bestemt i overensstemmelse med EN60745:

**Model HS6100, HS6101**

Arbejdsformål: skæring i træ  
 Vibrationsafgivelse ( $a_{h, w}$ ): 2,5 m/s<sup>2</sup> eller mindre  
 Usikkerhed (K): 1,5 m/s<sup>2</sup>

Arbejdsformål: skæring i metal  
 Vibrationsafgivelse ( $a_{h, m}$ ): 2,5 m/s<sup>2</sup>  
 Usikkerhed (K): 1,5 m/s<sup>2</sup>

**Model HS7100, HS7101**

Arbejdsformål: skæring i træ  
 Vibrationsafgivelse ( $a_{h, w}$ ): 2,5 m/s<sup>2</sup> eller mindre  
 Usikkerhed (K): 1,5 m/s<sup>2</sup>

Arbejdsformål: skæring i metal  
 Vibrationsafgivelse ( $a_{h, m}$ ): 2,5 m/s<sup>2</sup>  
 Usikkerhed (K): 1,5 m/s<sup>2</sup>

- Den angivne vibrationsemissionsværdi er blevet målt i overensstemmelse med standardtestmetoden og kan anvendes til at sammenligne en maskine med en anden.
- Den angivne vibrationsemissionsværdi kan også anvendes i en preliminær eksponeringsvurdering.

**⚠ ADVARSEL:**

- Vibrationsemissionen under den faktiske anvendelse af maskinen kan være forskellig fra den erklærede emissionsværdi, afhængigt af den måde, hvorpå maskinen anvendes.
- Sørg for at identificere de sikkerhedsforskrifter til beskyttelse af operatøren, som er baseret på en vurdering af eksponering under de faktiske brugsforhold (med hensyntagen til alle dele i brugscyklen, som f.eks. de gange, hvor maskinen er slukket og når den kører i tomgang i tilgift til afbrydertiden).

ENH101-17

**Kun for lande i Europa**

**EU-konformitetserklæring**

**Makita erklærer, at den følgende maskine (maskiner):**

Maskinens betegnelse:  
 Rundsav  
 Model nr./Type: HS6100, HS6101, HS7100, HS7101  
**Er i overensstemmelse med de europæiske direktiver:**

2006/42/EU

De er fremstillet i overensstemmelse med den følgende standard eller standardiserede dokumenter:  
 EN60745

Den tekniske fil, som er i overensstemmelse med 2006/42/EU, er tilgængelig fra:  
 Makita, Jan-Baptist Vinkstraat 2, 3070, Belgien

31.12.2013



Yasushi Fukaya  
 Direktør

Makita, Jan-Baptist Vinkstraat 2, 3070, Belgien

**Περιγραφή γενικής άποψης**

1 Μοχλός	13 Ξεσφίζετε	25 Μοχλός σφικκτήρα
2 Μπροστινός μοχλός	14 Σφίζετε	26 Φράκτης σχισίματος (Οδηγός χάρακας)
3 Πίσω παξιμάδι με ππερύγια	15 Κλειδωμα άξονα	27 Βίδα ρύθμισης για 0°
4 Στοπ	16 Άξονας στερέωσης	28 Βίδα ρύθμισης για 45°
5 θέση 0°	17 Εσωτερική φλάντζα	29 Τριγωνικός χάρακας
6 θέση 45°	18 Λάμα πριονιού	30 Βάση
7 Γραμμή κοπής	19 Εξωτερική φλάντζα	31 Σήμανση ορίων
8 Βίδα	20 Εξαγωγικός κοχλίας	32 Κατσαβίδι
9 Σκανδάλη διακόπτης	21 Δακτύλιος	33 Κατάκι θήκης ψήκτρας
10 Κουμπί ξεκλειδώματος	22 Ακροφύσιο σκόνης	
11 Φως	23 Ηλεκτρική σκούπα	
12 Εξαγωγικό κλειδί	24 Εύκαμπτος σωλήνας	

**ΤΕΧΝΙΚΑ ΧΑΡΑΚΤΗΡΙΣΤΙΚΑ**

Μοντέλο		HS6100	HS6101	HS7100	HS7101
Διάμετρος λάμας		165 χιλ.		190 χιλ.	
Μεγ. βάθος κοπής	Σε 0°	54,5 χιλ.		67 χιλ.	
	Σε 45°	39,5 χιλ.		48,5 χιλ.	
	Σε 50°	35,5 χιλ.		43,5 χιλ.	
Ταχύτητα χωρίς φορτίο (λεπ <sup>-1</sup> )		5.500			
Ολικό μήκος		297 χιλ.		310 χιλ.	
Καθαρό βάρος		3,7 Χγρ.	3,7 Χγρ.	4,0 Χγρ.	4,0 Χγρ.
Κατηγορία ασφάλειας		☐/II			

- Λόγω του ότι καταβάλλουμε συνεχείς προσπάθειες μέσω της έρευνας για περαιτέρω εξελίξεις για τα προϊόντα μας, επιφυλασσόμεθα σχετικά με τροποποιήσεις στα τεχνικά χαρακτηριστικά που αναφέρονται εδώ.
- Τα τεχνικά χαρακτηριστικά δύνανται να διαφέρουν από χώρα σε χώρα.
- Βάρος σύμφωνα με διαδικασία ΕΡΤΑ 01/2003

GEA010-1

**Γενικές προειδοποιήσεις ασφαλείας για το ηλεκτρικό εργαλείο**

**⚠ ΠΡΟΕΙΔΟΠΟΙΗΣΗ** Διαβάστε όλες τις προειδοποιήσεις ασφαλείας και όλες τις οδηγίες. Η μη τήρηση των προειδοποιήσεων και οδηγιών ενδέχεται να καταλήξει σε ηλεκτροπληξία, πυρκαγιά ή/και σοβαρό τραυματισμό.

**Φυλάξτε όλες τις προειδοποιήσεις και τις οδηγίες για μελλοντική παραπομπή.**

GEB013-6

**Προοριζόμενη χρήση**

Το εργαλείο προορίζεται για εκτέλεση, κατά μήκος και εγκάρσιως, ίσιας και λοξής κοπής με γωνίες σε ξύλο ενώ βρίσκεται σε σταθερή επαφή με το τεμάχιο εργασίας. Με τις κατάλληλες λάμες πριονιού, μπορείτε να πριονίσετε και αλουμίνιο.

ENE078-1

ENF100-1

**Για δημόσια συστήματα διανομής ηλεκτρικού ρεύματος χαμηλής τάσεως μεταξύ 220 V και 250 V**

Η αλλαγή λειτουργιών ηλεκτρικής συσκευής προκαλεί διακυμάνσεις τάσεως. Η λειτουργία αυτής της συσκευής κάτω από άσχημες συνθήκες παροχής ηλεκτρικού ρεύματος μπορεί να έχει ενάντια αποτελέσματα στη λειτουργία άλλου εξοπλισμού. Με μία σύνθετη αντίσταση ίση ή μικρότερη από 0,32 Ωμ μπορεί να θεωρηθεί πιθανό ότι δεν θα προκύψουν αρνητικά αποτελέσματα.

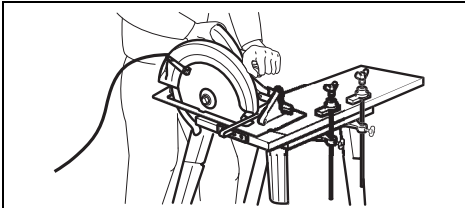
Η υποδοχή παροχής ρεύματος για την συσκευή αυτή πρέπει να προστατεύεται από μία ασφάλεια ή ένα προστατευτικό κύκλωμα διακόπτη που να έχει αργά χαρακτηριστικά αποσύνδεσης.

**ΠΡΟΕΙΔΟΠΟΙΗΣΕΙΣ ΑΣΦΑΛΕΙΑΣ ΔΙΣΚΟΠΡΙΟΝΟΥ**

**Διαδικασίες κοπής**

1. **⚠ ΚΙΝΔΥΝΟΣ:** Κρατάτε τα χέρια σας μακριά από την περιοχή κοπής και την λάμα. Κρατάτε το άλλο σας χέρι πάνω στην βοηθητική λαβή, ή στο περίβλημα του κινητήρα. Εάν και τα δύο χέρια κρατάνε το πριόνι, δεν μπορεί να κοπούν από την λάμα.
2. **Μη βάζετε τα χέρια σας κάτω από το τεμάχιο εργασίας.** Ο προφυλακτήρας δεν μπορεί να σας προστατεύσει από την λεπίδα κάτω από το τεμάχιο εργασίας.
3. **Ρυθμίστε το βάθος κοπής σύμφωνα με το πάχος του τεμαχίου εργασίας.** Λιγότερο από ένα ολόκληρο δόντι από τα δόντια της λάμας πρέπει να φαίνεται κάτω από το τεμάχιο εργασίας.

4. Ποτέ μη κρατάτε ένα κομμάτι που κόβετε στα χέρια σας ή πάνω στο πόδι σας. Ασφαλίστε το τεμάχιο εργασίας σε σταθερή επιφάνεια. Είναι σημαντικό να στηρίζετε το τεμάχιο εργασίας κατάλληλα για να ελαχιστοποιήσετε την έκθεση του σώματος, εμπλοκή λάμας, ή απώλεια ελέγχου.



Τυπική απεικόνιση της κατάλληλης στήριξης χεριών, στήριξης αντικειμένου εργασίας και διαδρομής ηλεκτρικού καλωδίου (αν υπάρχει).

000157

5. Κρατάτε το ηλεκτρικό εργαλείο μόνο από τις μονωμένες επιφάνειες χειρολαβής όταν εκτελείτε μια λειτουργία όπου το κοπτικό εργαλείο μπορεί να έρθει σε επαφή με κρυμμένα καλώδια ή και το δικό του καλώδιο. Επαφή με ηλεκτροφόρα καλώδια θα κάνει επίσης τα εκτεθειμένα μεταλλικά μέρη ηλεκτροφόρα και μπορεί να προκαλέσει ηλεκτροπληξία στον χειριστή.
6. Όταν σχίζετε πάντοτε χρησιμοποιείτε ένα φράχτη σχισίματος ή οδηγό ίσιας άκρης. Αυτό βελτιώνει την ακρίβεια της κοπής και μειώνει την πιθανότητα εμπλοκής λάμας.
7. Πάντοτε χρησιμοποιείτε λάμες με σωστό μέγεθος και σχήμα (ρόμβου έναντι σφαιρικού) όπως εγκατάστασης. Οι λάμες που δεν ταιριάζουν με τον εξοπλισμό εγκατάστασης του πριονιού θα λειτουργήσουν παράκεντρα, προκαλώντας απώλεια ελέγχου.
8. Ποτέ μη χρησιμοποιήσετε ελαττωματικές ροδέλες λάμας ή μπουλόνια. Οι ροδέλες και μπουλόνια λάμας έχουν σχεδιαστεί ειδικά για το πριόνι σας, για βέλπστη απόδοση και ασφάλεια λειτουργίας.

#### Αιτίες οπισθολακτίσματος και σχετικές προειδοποιήσεις

- το οπισθολάκτισμα είναι μία ξαφνική αντίδραση σε μίατσιμπημένη, πιασμένη ή κακώς ευθυγραμμισμένη λάμα πριονιού, που προκαλεί ένα ανεξέλεγκτο σήκωμα του πριονιού και έξοδο από το τεμάχιο εργασίας προς την μεριά του χειριστή.
- όταν η λάμα είναιτσιμπημένη ή πιασμένη σφιχτά από την τομή που κλείνει, η λάμα ακινητοποιείται και η αντίδραση του κινητήρα οδηγεί την μονάδα ταχέως πίσω προς τον χειριστή.
- εάν η λάμα στρεβλωθεί ή χάσει την ευθυγράμμιση της στην κοπή, τα δόντια στο πίσω μέρος της άκρης της λάμας μπορεί να σκάσουν στην άνω επιφάνεια του ξύλου κάνοντας την λάμα να αναρριχηθεί έξω από την τομή και να πηδήξει πίσω προς τον χειριστή.

Το οπισθολάκτισμα είναι το αποτέλεσμα κακής χρήσης του πριονιού και/ή εσφαλμένων διαδικασιών ή συνθηκών λειτουργίας και μπορεί να αποφευχθεί λαμβάνοντας κατάλληλες προφυλάξεις όπως δίνονται παρακάτω.

9. Κρατήστε καλά το πριόνι και με τα δυο σας χέρια και τοποθετήστε τους βραχίονές σας έτσι ώστε να αντιστέκονται στις δυνάμεις οπισθολακτίσματος. Τοποθετήστε το σώμα σας από οποιαδήποτε πλευρά της λάμας αλλά όχι σε ευθεία με την λάμα. Το οπισθολάκτισμα θα μπορούσε να κάνει το πριόνι να πηδήξει προς τα πίσω, αλλά οι δυνάμεις οπισθολακτίσματος μπορεί να ελεγχθούν από τον χειριστή, εάν παρθούν οι κατάλληλες προφυλάξεις.
10. Όταν η λάμα πιάνει, ή όταν διακόπεται μία κοπή για οποιοδήποτε λόγο, ελευθερώστε την σκανδάλη και κρατήστε το πριόνι ακίνητο στο υλικό μέχρι που η λεπίδα φθάσει σε μία πλήρη στάση. Ποτέ μην επιχειρήσετε να αφαιρέσετε το πριόνι από το τεμάχιο εργασίας ή να τραβήξετε το πριόνι προς τα πίσω ενώ η λάμα βρίσκεται σε κίνηση αλλιώς οπισθολάκτισμα μπορεί να συμβεί. Ελέγξτε και πάρτε διορθωτικά μέτρα για να εξαλείψετε την αιτία πιασίματος λάμας.
11. Όταν επανεκκινείτε ένα πριόνι στο τεμάχιο εργασίας, βάλτε την λάμα πριονιού στο κέντρο της τομής και ελέγξτε ότι τα δόντια πριονιού δεν έχουν εμπλακεί μέσα στο υλικό. Εάν η λάμα πριονιού πιάνει, μπορεί να πάει επάνω ή οπισθολακτίσει από το τεμάχιο εργασίας όπως το πριόνι επανεκκινεί.
12. Στηρίζετε τα μεγάλα τεμάχια για να ελαχιστοποιήσετε τον κίνδυνο τοιμήματος της λάμας και οπισθολακτίσματος. Τα μεγάλα τεμάχια τείνουν να λυγίζουν κάτω από το βάρος τους. Υποστηρίγματα πρέπει να τοποθετούνται κάτω από το τεμάχιο και στις δύο πλευρές, κοντά στην γραμμή κοπής και κοντά στην άκρη του τεμαχίου.



Για να αποφύγετε κλίση προς τα πίσω, στηρίζετε τη σανίδα ή τη πλάκα κοντά στο σημείο κοπής.

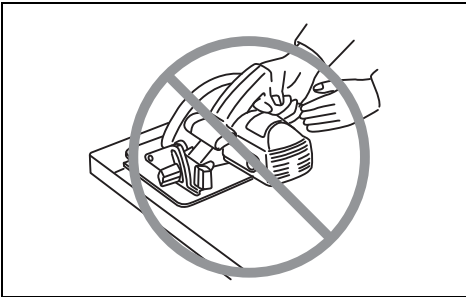
000154



Μη στηρίζετε τη σανίδα ή την πλάκα μακριά από το σημείο κοπής.

000156

13. Μην χρησιμοποιείτε λάμες στοιωμένες ή με ζημιές. Ατρόχιστες λάμες ή ακατάλληλα τοποθετημένες λάμες δημιουργούν στενή τομή προκαλώντας υπερβολική τριβή, πιάσιμο λάμας και οπισθολάκτισμα.
14. Οι κλειδαίωτοι μοχλοί ρύθμισης βάρους λάμας και κωνικότοπος πρέπει να είναι σφιχτοί και ασφαλείς πριν από την κοπή. Εάν η ρύθμιση λάμας μετακινείται κατά την κοπή, μπορεί να προκληθεί πιάσιμο και οπισθολάκτισμα.
15. Δώστε μεγάλη προσοχή όταν πριονίζετε σε υπάρχοντες τοίχους ή άλλες τυφλές περιοχές. Η προεξέχουσα λάμα μπορεί να κόψει αντικείμενα που μπορούν να προκαλέσουν οπισθολάκτισμα.
16. ΠΑΝΤΟΤΕ κρατάτε το εργαλείο σταθερά με τα δύο χέρια. ΠΟΤΕ μη βάζετε το χέρι σας ή τα δάκτυλά σας πίσω από το πριόνι. Εάν συμβεί οπισθολάκτισμα, το πριόνι μπορεί εύκολα να πηδήξει προς τα πίσω πάνω από το χέρι σας, προκαλώντας σοβαρό προσωπικό τραυματισμό.



000194

17. Ποτέ μην ασκήσετε μεγάλη πίεση στο πριόνι. Σπρώχτε το πριόνι προς τα εμπρός με ταχύτητα έτσι ώστε η λάμα κόβει χωρίς να επιβραδύνεται. Η μεγάλη πίεση στο πριόνι μπορεί να προκαλέσει ανώμαles κοπές, απώλεια ακρίβειας, και πιθανό οπισθολάκτισμα.

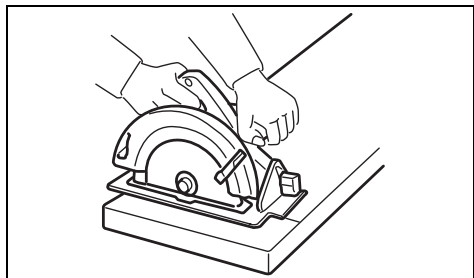
#### Λειτουργία κάτω προφυλακτήρα

18. Ελέγξτε τον κάτω προφυλακτήρα για κατάλληλο κλείσιμο πριν από κάθε χρήση. Μην λειτουργείτε το πριόνι εάν ο κάτω προφυλακτήρας δεν κινείται ελεύθερα και κλείνει αμέσως. Ποτέ μη σφίξτε ή δέσετε τον κάτω προφυλακτήρα στην ανοικτή θέση. Εάν το πριόνι πέσει τυχαίως, ο κάτω προφυλακτήρας μπορεί να λυγίσει. Σηκώστε τον κάτω προφυλακτήρα με την λαβή απόσυρσης και βεβαιωθείτε ότι κινείται ελεύθερα και δεν αγγίζει την λάμα ή οποιοδήποτε άλλο μέρος, σε όλες τις γωνίες και βάθη κοπών.
19. Ελέγξτε την λειτουργία του ελατηρίου του κάτω προφυλακτήρα. Εάν ο προφυλακτήρας και το ελατήριο δεν λειτουργούν κατάλληλα, πρέπει να συντηρηθούν πριν την χρήση. Ο κάτω προφυλακτήρας μπορεί να λειτουργεί αργά λόγω τμημάτων με ζημιές, αποθέματα κόλλας, ή συσσώρευσης απορριμμάτων.

20. Ο κάτω προφυλακτήρας μπορεί να αποσυρθεί χειροκίνητα μόνο για ειδικές κοπές όπως “κοπές βύθισης” και “σύνθετες κοπές”. Σηκώστε τον κάτω προφυλακτήρα αποσύροντας την λαβή και μόλις η λάμα εισέλθει στο υλικό, ο κάτω προφυλακτήρας πρέπει να ελευθερωθεί. Για όλα τα άλλα πριονίσματα, ο κάτω προφυλακτήρας πρέπει να λειτουργεί αυτόματα.
21. Πάντοτε να σιγουρεύεστε ότι ο κάτω προφυλακτήρας καλύπτει την λάμα πριν τοποθετήσετε το πριόνι πάνω στον πάγκο ή στο πάτωμα. Μία απροσάτευτη, περιστρεφόμενη λάμα θα κάνει το πριόνι να κινηθεί προς τα πίσω, κόβοντας ότι βρίσκεται στην τροχιά του. Να είστε ενήμεροι για τον χρόνο που χρειάζεται για την λάμα να σταματήσει αφού ο διακόπτης έχει απελευθερωθεί.
22. Για να ελέγξετε τον κάτω προφυλακτήρα, ανοίχτε τον κάτω προφυλακτήρα με το χέρι, κατόπιν ελευθερώστε και παρακολουθείστε το κλείσιμο του προφυλακτήρα. Επίσης ελέγξτε να δείτε ότι η λαβή απόσυρσης δεν αγγίζει το περίβλημα του εργαλείου. Είναι ΠΟΛΥ ΕΠΙΚΙΝΔΥΝΟ να αφήνετε την λάμα εκτεθειμένη και μπορεί να οδηγήσει σε σοβαρό προσωπικό τραυματισμό.

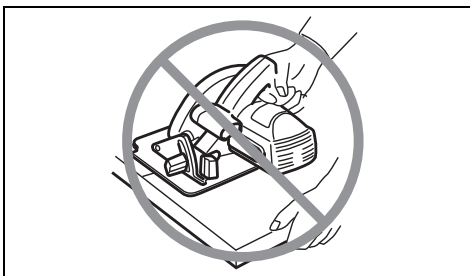
#### Πρόσθετες προειδοποιήσεις ασφάλειας

23. Χρησιμοποιείτε μεγάλη προσοχή όταν κόβετε υγρό ξύλο, ξυλεία επεξεργασμένη με πίεση, ή ξύλο που περιέχει ρόζους. Διατηρήστε ομαλή προώθηση του εργαλείου χωρίς να μειώνετε την ταχύτητα της λάμας, προκειμένου να αποφύγετε την υπερθέρμανση των άκρων της λάμας.
24. Μην επιχειρήσετε να αφαιρέσετε κομμένο υλικό όταν η λάμα κινείται. Περιμένετε μέχρι να σταματήσει η λάμα πριν πιάσετε κομμένο υλικό. Οι λάμες περιστρέφονται και μετά το σβήσιμο.
25. Αποφεύγετε την κοπή καρφιών. Ελέγξτε και αφαιρέστε όλα τα καρφιά από την ξυλεία πριν από την κοπή.
26. Τοποθετήστε το πλατύτερο τμήμα της βάσης του πριονιού σε εκείνο το τμήμα του τεμαχίου εργασίας που είναι στερεά υποστηριζόμενο, όχι στο τμήμα που θα πέσει όταν γίνει η κοπή. Ως παραδείγματα, Εικ. Α δείχνει τον ΣΩΣΤΟ τρόπο να αποκόψετε την άκρη μιας σανίδας, και η Εικ. Β τον ΛΑΘΟΣ τρόπο. Εάν το τεμάχιο εργασίας είναι κοντό και μικρό, αφήστε το να πέσει κάτω. ΜΗ ΠΡΟΣΠΑΘΕΙΤΕ ΝΑ ΚΡΑΤΑΤΕ ΜΙΚΡΑ ΤΕΜΑΧΙΑ ΜΕ ΤΟ ΧΕΡΙ.



Εικ. Α

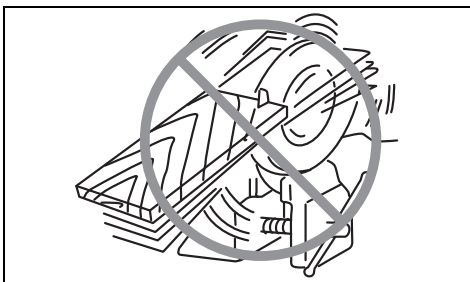
000147



Εικ. Β

000150

27. Πριν αφήσετε κάτω το εργαλείο αφού συμπληρώσετε μία κοπή, βεβαιώνετε ότι ο κάτω προφυλακτήρας έχει κλείσει και η λάμα έχει σταματήσει τελείως.
28. Ποτέ μη προσπαθείτε να πριονίσετε με το δισκοπρίονο κρατημένο ανάποδα σε μία μέγνηνη. Αυτό είναι εξαιρετικά επικίνδυνο και μπορεί να οδηγήσει σε σοβαρά ατυχήματα.



000029

29. Μερικά υλικά περιέχουν χημικά τα οποία μπορεί να είναι τοξικά. Προσέχετε να αποφεύγετε την εισπνοή σκόνης και δερματική επαφή. Ακολουθείτε τα δεδομένα ασφαλείας του προμηθευτή υλικού.
30. Μη σταματάτε τις λάμες με πλευρική πίεση στην λάμα πριονιού.
31. Πάντοτε χρησιμοποιείτε λάμες συνιστώμενες στο εγχειρίδιο αυτό. Μη χρησιμοποιείτε αποξεστικούς τροχούς.
32. Κρατάτε την λάμα αιχμηρή και καθαρή. Σκληροποιημένη κόλλα και σκόνη ξύλου στις λάμες επιβραδύνει το πριόνι και αυξάνει την πιθανότητα λακτισμάτων. Κρατάτε την λάμα καθαρή αφαιρώντας την πρώτα από το εργαλείο, μετά καθαρίζοντας την με διαλυτή κόλλας και ξυλόσκονης, ζεστό νερό ή κηροζίνη. Ποτέ μη χρησιμοποιείτε βενζίνη.
33. Φοράτε μάσκα σκόνης και ωτοασπίδες όταν χρησιμοποιείτε το εργαλείο.

## ΦΥΛΑΞΕΤΕ ΑΥΤΕΣ ΤΙΣ ΟΔΗΓΙΕΣ.

### ⚠️ ΠΡΟΕΙΔΟΠΟΙΗΣΗ:

ΜΗΝ επιτρέψετε το βαθμό άνεσης ή εξοικείωσης με το προϊόν (λόγω επανειλημμένης χρήσης) να αντικαταστήσει την αυστηρή τήρηση των κανόνων ασφαλείας του παρόντος εργαλείου. ΚΑΚΗ ΧΡΗΣΗ ή αμέλεια να ακολουθήσετε τους κανόνες ασφαλείας που διατυπώνονται σ' αυτό το εγχειρίδιο οδηγίων μπορεί να προκαλέσει σοβαρό προσωπικό τραυματισμό.

## ΠΕΡΙΓΡΑΦΗ ΛΕΙΤΟΥΡΓΙΑΣ

### ⚠️ ΠΡΟΣΟΧΗ:

- Πάντοτε να είστε σίγουροι ότι το εργαλείο είναι σβηστό και αποσυνδεδεμένο από το ρεύμα πριν ρυθμίσετε ή ελέγξετε κάποια λειτουργία στο εργαλείο.

### Ρύθμιση βάθους κοπής (Εικ. 1)

### ⚠️ ΠΡΟΣΟΧΗ:

- Αφού ρυθμίσετε το βάθος κοπής, πάντοτε σφίγγετε το μοχλό με ασφάλεια.

Χαλαρώστε τον μοχλό στον οδηγό βάθους και μετακινήστε την βάση επάνω ή κάτω. Στο επιθυμητό βάθος κοπής, ασφαλίστε την βάση σφίγγοντας τον μοχλό.

Για πιο καθαρές, ασφαλείς τομές, καθορίστε το βάθος της τομής ώστε να μην προεξέχουν περισσότερα από ένα δόντια της λεπίδας, κάτω από το τεμάχιο εργασίας. Η χρήση κατάλληλου βάθους τομής βοηθά στη μείωση της πιθανότητας για επικίνδυνες ΑΝΑΚΡΟΥΣΕΙΣ (οπισθολακτίσματα) που μπορούν να προκαλέσουν προσωπικό τραυματισμό.

### Λοξή κοπή (Εικ. 2, 3 και 4)

Χαλαρώστε το μπροστινό μοχλό και το πίσω παξιμάδι με πτερύγια. Ρυθμίστε την επιθυμητή γωνία (0° έως 50°) δίνοντας την κατάλληλη κλίση και μετά σφίξτε καλά το μοχλό και το παξιμάδι με πτερύγια.

Χρησιμοποιήστε το στοπ 45° όταν θέλετε να κάνετε μια κοπή ακριβώς 45°. Γυρίστε το στοπ πλήρως δεξιόστροφα για λοξές κοπές (0° έως 45°) και γυρίστε το αριστερόστροφα για λοξές κοπές 0° έως 50°.

### Κάτοψη (Εικ. 5)

Για ευθείες κοπές, ευθυγραμμίστε τη θέση 0° στο μπροστινό μέρος της βάσης με τη γραμμή κοπής. Για λοξές τομές 45°, ευθυγραμμίστε τη θέση 45° με αυτή. Η θέση του πάνω οδηγού είναι ρυθμιζόμενη.

### Λειτουργία διακόπτη (Εικ. 6)

### ⚠️ ΠΡΟΣΟΧΗ:

- Πριν συνδέσετε το εργαλείο στο ηλεκτρικό, πάντοτε ελέγχετε να δείτε ότι η σκανδάλη διακόπτης ενεργοποιείται κανονικά και επιστρέφει στην θέση "OFF" όταν ελευθερώνεται.

Για να εμποδίσει η σκανδάλη διακόπτης να τραβηχθεί τυχαία, παρέχεται ένα κουμπί κλειδώματος στην θέση off. Για να ξεκινήσετε το εργαλείο, σπρώχτε μέσα το κουμπί κλειδώματος off και τραβήχτε την σκανδάλη διακόπτη. Ελευθερώστε την σκανδάλη διακόπτη για να σταματήσει. Μην τραβάτε το μοχλό-διακόπτη με δύναμη χωρίς να τραβάτε το μοχλό ασφαλίσης. Θα σπάσει ο διακόπτης.

### Για μοντέλα HS6101, HS7101

### Αναμμα της λάμπας (Εικ. 7)

### ⚠️ ΠΡΟΣΟΧΗ:

- Μην κοιτάτε κατευθείαν μέσα στο φως ή στην πηγή φωτός.

Όταν το εργαλείο είναι συνδεδεμένο, ανάβει η λάμπα. Η λάμπα παραμένει αναμμένη έως ότου αποσυνδέσετε το εργαλείο.

## ΠΑΡΑΤΗΡΗΣΗ:

- Χρησιμοποιήστε ένα στεγνό πανί για να σκουπίσετε τη σκόνη από το φακό της λάμπας. Προσέχετε να μη γρατσουνίσετε το φακό της λάμπας, επειδή μπορεί να μειωθεί η ένταση του φωτισμού.
- Μη χρησιμοποιείτε βενζίνη, νέφτι ή παρόμοια υλικά για να καθαρίσετε το φακό της λάμπας. Αν χρησιμοποιήσετε τέτοιες ουσίες, θα καταστρέψετε το φακό.

## ΣΥΝΑΡΜΟΛΟΓΗΣΗ

### ⚠️ ΠΡΟΣΟΧΗ:

- Πάντοτε να σιγουρεύεστε ότι το εργαλείο είναι σβηστό και αποσυνδεδεμένο πριν εκτελέσετε οποιαδήποτε εργασία στο εργαλείο.

### Αφαίρεση ή τοποθέτηση λάμψας πριονιού (Εικ. 8)

#### ⚠️ ΠΡΟΣΟΧΗ:

- Βεβαιωθείτε ότι η λάμα έχει τοποθετηθεί με τα δόντια κατευθυνόμενα προς τα πάνω στο εμπρόσθιο μέρος του εργαλείου.
- Χρησιμοποιείτε μόνο το κλειδί Makita για τοποθέτηση ή αφαίρεση της λάμψας.

Για να αφαιρέσετε το δίσκο, πιέστε την ασφαλιστική διάταξη του άξονα ώστε ο δίσκος να μην μπορεί να περιστραφεί και χρησιμοποιήστε το εξαγωνικό κλειδί για να ξεσφίξετε τον εξαγωνικό κοχλία γυρίζοντας αριστερόστροφα. Στη συνέχεια αφαιρέστε τον εξαγωνικό κοχλία, την εξωτερική φλάντζα και το δίσκο.

### Για εργαλείο με την εσωτερική φλάντζα για δίσκο με διάμετρο σπής 15,88 χιλ. (Εικ. 9)

Τοποθετήστε την εσωτερική φλάντζα στον άξονα στερέωσης ώστε η πλευρά με το κοίλωμα να είναι στραμμένη προς τα έξω και στη συνέχεια τοποθετήστε το δίσκο, την εξωτερική φλάντζα και τον εξαγωνικό κοχλία. **ΦΡΟΝΤΙΣΤΕ ΝΑ ΣΦΙΞΕΤΕ ΣΤΑΘΕΡΑ ΤΟΝ ΕΞΑΓΩΝΙΚΟ ΚΟΧΛΙΑ ΓΥΡΙΖΟΝΤΑΣ ΔΕΞΙΟΣΤΡΟΦΑ.**

### Για εργαλείο με την εσωτερική φλάντζα για δίσκο με διάμετρο σπής διαφορετική από 15,88 χιλ. (Εικ. 10)

Η εσωτερική φλάντζα διαθέτει προεξοχή συγκεκριμένης διαμέτρου στη μία πλευρά και προεξοχή διαφορετικής διαμέτρου στην άλλη πλευρά. Φροντίστε να χρησιμοποιήσετε την πλευρά η προεξοχή της οποίας ταιριάζει απόλυτα στην οπή του δίσκου.

Στη συνέχεια, τοποθετήστε την εσωτερική φλάντζα στον άξονα στερέωσης ώστε η σωστή πλευρά της προεξοχής στην εσωτερική φλάντζα να είναι στραμμένη προς τα έξω και μετά τοποθετήστε το δίσκο και την εξωτερική φλάντζα. **ΦΡΟΝΤΙΣΤΕ ΝΑ ΣΦΙΞΕΤΕ ΣΤΑΘΕΡΑ ΤΟΝ ΕΞΑΓΩΝΙΚΟ ΚΟΧΛΙΑ ΓΥΡΙΖΟΝΤΑΣ ΔΕΞΙΟΣΤΡΟΦΑ.**

### ⚠️ ΠΡΟΣΟΧΗ:

- Βεβαιωθείτε ότι η προεξοχή “a” στην εσωτερική φλάντζα που έχει τοποθετηθεί από την έξω πλευρά ταιριάζει απόλυτα στην οπή “a” του δίσκου. Η τοποθέτηση του δίσκου σε εσφαλμένη πλευρά ενδέχεται να καταλήξει σε επικίνδυνους κραδασμούς.

Όταν αλλάζετε λάμα, βεβαιωθείτε να καθαρίσετε επίσης το πάνω και κάτω προστατευτικό λάμας από συσσωρευμένο πριονίδι. Ωστόσο, οι ενέργειες αυτές δεν αντικαθιστούν την ανάγκη να ελέγχετε τη λειτουργία του κάτω προστατευτικού πριν από κάθε χρήση. (Εικ. 11)

### Αποθήκευση εξαγωγικού κλειδιού (Εικ. 12)

Όταν δεν χρησιμοποιείτε το εξαγωγικό κλειδί, αποθηκεύστε το, όπως απεικονίζεται, για να μην το χάσετε.

### Σύνδεση ηλεκτρικής σκούπας (Εικ. 13 και 14)

Όταν θέλετε να εκτελέσετε κοπές καθαρά, συνδέστε την ηλεκτρική σκούπα της Makita στο εργαλείο που διαθέτετε. Τοποθετήστε το ακροφύσιο σκόνης στο εργαλείο με τη βοήθεια της βίδας. Κατόπιν συνδέστε τον εύκαμπτο σωλήνα της ηλεκτρικής σκούπας στο ακροφύσιο σκόνης, όπως απεικονίζεται.

## ΛΕΙΤΟΥΡΓΙΑ (Εικ. 15)

### ⚠️ ΠΡΟΣΟΧΗ:

- Βεβαιωθείτε ότι μετακινείτε το εργαλείο απαλά προς τα εμπρός σε μία ευθεία γραμμή. Εξαναγκασμός ή στρίψιμο του εργαλείου θα προκαλέσει υπερθέρμανση του κινητήρα και επικίνδυνο οπισθοακτίσισμα με πιθανότητα πρόκλησης σοβαρού τραυματισμού.
- Κατά την εκτέλεση των εργασιών, να κρατάτε πάντα σταθερά το εργαλείο με τα δύο χέρια χρησιμοποιώντας τη μπροστινή λαβή και την πίσω λαβή.

Κρατήστε το εργαλείο σταθερά. Το εργαλείο παρέχεται με εμπρόσθια λαβή και με πίσω χειρολαβή. Να χρησιμοποιείτε και τις δύο λαβές για να έχετε καλύτερο κράτημα του εργαλείου. Εάν και τα δύο χέρια κρατάνε το εργαλείο, δεν μπορεί να τραυματιστούν από την λάμα. Τοποθετήστε την βάση στο τεμάχιο εργασίας που πρόκειται να κοπεί χωρίς η λάμα να κάνει καμία επαφή. Μετά ξεκινήστε το εργαλείο και περιμένετε μέχρι η λάμα να αποκτήσει πλήρη ταχύτητα. Τώρα απλώς κινείστε το εργαλείο προς τα εμπρός πάνω στην επιφάνεια του τεμαχίου εργασίας, κρατώντας το επίπεδο και προωθώντας το απαλά μέχρι να συμπληρωθεί η κοπή. Για να έχετε καθαρές κοπές, κρατάτε την γραμμή κοπής ευθεία και την ταχύτητα προώθησης σταθερή. Εάν η κοπή παρεκκλίνει από την επιθυμητή γραμμή κοπής, μην επιχειρήσετε να στρίψετε ή εξαναγκάσετε το εργαλείο πίσω στην γραμμή κοπής. Κάνοντας το μπορεί να σφηνώσει η λάμα και να οδηγήσει σε επικίνδυνο οπισθοακτίσισμα ή πιθανό σοβαρό τραυματισμό. Ελευθερώστε τον διακόπτη, περιμένετε να σταματήσει η λάμα και μετά τραβήχτε το εργαλείο. Ευθυγραμμίστε πάλι το εργαλείο σε μία νέα γραμμή κοπής, και ξαναρχίστε την κοπή. Προσταθείστε να αποφύγετε θέσεις που εκθέτουν τον χειριστή στα πριονίδια και ξυλόσκονη που εκτινάσσονται από το πριόνι. Χρησιμοποιείστε προστατευτικά οφθαλμών για να αποφύγετε τραυματισμό.

### Φράκτης σχισίματος (οδηγός χάρακας) (Εικ. 16)

Ο βολικός φράκτης σχισίματος σας επιτρέπει να κάνετε εξαιρετικά ακριβείς ίσιες κοπές. Απλώς σύρτε τον φράκτη σχισίματος επάνω εφαρμοστά στην πλευρά του τεμαχίου εργασίας και ασφαλίστε το στη θέση του με την βίδα στο εμπρόσθιο μέρος της βάσης. Επίσης καθιστά δυνατό να εκτελεστούν επαναληπτικές κοπές με μοιόμορφο πλάτος.

## ΣΥΝΤΗΡΗΣΗ

### ⚠️ ΠΡΟΣΟΧΗ:

- Πάντοτε να σιγουρεύεστε ότι το εργαλείο είναι σβηστό και αποσυνδεδεμένο από το ρεύμα πριν επιχειρήσετε να κάνετε επιθεώρηση ή συντήρηση.
- Μην χρησιμοποιείτε ποτέ βενζίνη, πετρελαϊκό αιθέρα, διαλυτικό, αλκοόλη ή παρόμοιες ουσίες. Ενδέχεται να προκληθεί αποχρωματισμός παραμόρφωση ή ρωγμές.

### Ρύθμιση για ακρίβεια κοπής 0° και 45° (κάθετη κοπή και κοπή 45°) (Εικ. 17 και 18)

Αυτή η ρύθμιση έχει γίνει στο εργοστάσιο. Εάν όμως απορρυθμιστεί, μετακινήστε τις βίδες ρύθμισης με τη βοήθεια εξαγωνικού κλειδιού ενώ ελέγχετε ότι η κλίση μεταξύ της βάσης και της λάμας είναι 0° ή 45° με τη χρήση τριγωνικού χάρακα, τετραγωνικού χάρακα, κτλ.

### Ρύθμιση για παραλληλία (Εικ. 19)

Η παραλληλία μεταξύ της λάμας και της βάσης έχει ρυθμιστεί από το εργοστάσιο. Αλλά εάν δεν είναι ρυθμισμένη, μπορείτε να τη ρυθμίσετε με την ακόλουθη διαδικασία.

Βεβαιωθείτε ότι όλοι οι μοχλοί και οι βίδες είναι σφιγμένοι. Χαλαρώστε λίγο τη βίδα, όπως απεικονίζεται. Ενώ ανοίγετε το κάτω προστατευτικό, μετακινήστε το πίσω μέρος της βάσης ώστε οι αποστάσεις Α και Β να είναι ίσες. Μετά τη ρύθμιση, σφίξτε τη βίδα. Πραγματοποιήστε μια δοκιμαστική κοπή για να αποκτήσετε καλή παραλληλία.

### Αντικατάσταση στα καρβουνάκια (Εικ. 20 και 21)

Αφαιρείτε και ελέγχετε τις ψήκτρες άνθρακος τακτικά. Αντικαταστήστε όταν φθαρούν μέχρι το σημάδι ορίου. Κρατάτε τις ψήκτρες καθαρές και ελεύθερες να γλιστρούν στις θήκες. Και οι δύο ψήκτρες άνθρακα πρέπει να αντικαθίστανται ταυτόχρονα. Χρησιμοποιείτε μόνο όμοιες ψήκτρες.

Χρησιμοποιήστε ένα κατσαβίδι για να αφαιρέσετε τα καπάκια της θήκης ψήκτρας. Αφαιρέστε τις φαρμαμένες ψήκτρες, βάλτε τις καινούργιες και ασφαλίστε τα καπάκια της θήκης ψήκτρας.

Μετά την αντικατάσταση των ψηκτρών, βάλτε το ηλεκτρικό καλώδιο του εργαλείου στην πρίζα και στρώστε τις ψήκτρες αφήνοντας το εργαλείο σε λειτουργία χωρίς φορτίο για περίπου 10 λεπτά. Στη συνέχεια, ελέγξτε το εργαλείο ενώ λειτουργεί και ελέγξτε τη λειτουργία του ηλεκτρικού φρένου όταν αφήνετε τη σκανδάλη διακόπτη. Αν το ηλεκτρικό φρένο δεν λειτουργεί σωστά, φροντίστε να επισκευαστεί το εργαλείο σε κέντρο εξυπηρέτησης της Makita.

Για την διατήρηση της ΑΣΦΑΛΕΙΑΣ και ΑΞΙΟΠΙΣΤΙΑΣ του προϊόντος, επισκευές, οποιαδήποτε άλλη συντήρηση ή ρύθμιση πρέπει να εκτελούνται από τα Εξουσιοδοτημένα Κέντρα Εξυπηρέτησης της Makita, με χρήση πάντοτε ανταλλακτικών Makita.

## ΠΡΟΑΙΡΕΤΙΚΑ ΕΞΑΡΤΗΜΑΤΑ

### ⚠️ ΠΡΟΣΟΧΗ:

- Αυτά τα εξαρτήματα ή προσαρτήματα συνιστώνται για χρήση με το εργαλείο σας της Makita που καθορίζεται στο εγχειρίδιο αυτό. Η χρήση οποιονδήποτε άλλων εξαρτημάτων ή προσαρτημάτων μπορεί να δημιουργήσει κίνδυνο τραυματισμού ατόμων. Χρησιμοποιείτε μόνο εξαρτήματα ή προσαρτήματα μόνο για το σκοπό που προορίζονται.

Εάν χρειάζεστε κάποια βοήθεια για περισσότερες πληροφορίες που αφορούν στα εξαρτήματα αυτά, απευθυνθείτε στο τοπικό σας κέντρο εξυπηρέτησης Makita.

- Λάμες πριονιού
- Φράκτης σχισίματος (Οδηγός χάρακας)
- Οδηγός ράγα
- Προσαρμογέας οδηγού ράγας
- Εξαγωνικό κλειδί
- Ένωση

### ΠΑΡΑΤΗΡΗΣΗ:

- Μερικά στοιχεία στη λίστα μπορεί να συμπεριλαμβάνονται στη συσκευασία εργαλείου ως στάνταρ εξαρτήματα. Μπορεί να διαφέρουν ανάλογα με τη χώρα.

ENG905-1

### Θόρυβος

Το τυπικό Α επίπεδο μετρημένου θορύβου καθορίζεται σύμφωνα με το EN60745:

#### Μοντέλο HS6100, HS6101

Στάθμη πίεσης ήχου ( $L_{pA}$ ): 89 dB (A)  
Στάθμη δύναμης ήχου ( $L_{WA}$ ): 100 dB (A)  
Αβεβαιότητα (K): 3 dB (A)

#### Μοντέλο HS7100, HS7101

Στάθμη πίεσης ήχου ( $L_{pA}$ ): 90 dB (A)  
Στάθμη δύναμης ήχου ( $L_{WA}$ ): 101 dB (A)  
Αβεβαιότητα (K): 3 dB (A)

#### Φοράτε ωτοασπίδες

ENG900-1

### Κραδασμός

Η ολική τιμή δόνησης (άθροισμα τρι-αξονικού διανύσματος) καθορίζεται σύμφωνα με το EN60745:

#### Μοντέλο HS6100, HS6101

Είδος εργασίας: κοπή ξύλου  
Εκπομπή δόνησης ( $a_{h, w}$ ): 2,5 m/s<sup>2</sup> ή λιγότερο  
Αβεβαιότητα (K): 1,5 m/s<sup>2</sup>

Είδος εργασίας: κοπή μετάλλου  
Εκπομπή δόνησης ( $a_{h, w}$ ): 2,5 m/s<sup>2</sup>  
Αβεβαιότητα (K): 1,5 m/s<sup>2</sup>

#### Μοντέλο HS7100, HS7101

Είδος εργασίας: κοπή ξύλου  
Εκπομπή δόνησης ( $a_{h, w}$ ): 2,5 m/s<sup>2</sup> ή λιγότερο  
Αβεβαιότητα (K): 1,5 m/s<sup>2</sup>

Είδος εργασίας: κοπή μετάλλου  
Εκπομπή δόνησης ( $a_{h, m}$ ): 2,5 m/s<sup>2</sup>  
Αβεβαιότητα (K): 1,5 m/s<sup>2</sup>

- Η δηλωμένη τιμή εκπομπής κραδασμών έχει μετρηθεί σύμφωνα με την πρότυπη μέθοδο δοκιμής και μπορεί να χρησιμοποιηθεί για τη σύγκριση ενός εργαλείου με άλλο.
- Η δηλωμένη τιμή εκπομπής κραδασμών μπορεί να χρησιμοποιηθεί και στην προκαταρκτική αξιολόγηση έκθεσης.

#### **⚠️ ΠΡΟΕΙΔΟΠΟΙΗΣΗ:**

- Η εκπομπή κραδασμών κατά τη χρήση του ηλεκτρικού εργαλείου σε πραγματικές συνθήκες μπορεί να διαφέρει από τη δηλωμένη τιμή εκπομπής ανάλογα με τον τρόπο χρήσης του εργαλείου.
- Φροντίστε να λάβετε τα κατάλληλα μέτρα προστασίας του χειριστή βάσει υπολογισμού της έκθεσης σε πραγματικές συνθήκες χρήσης (λαμβάνοντας υπόψη όλες τις συνιστώσες του κύκλου λειτουργίας όπως τους χρόνους που το εργαλείο είναι εκτός λειτουργίας και όταν βρίσκεται σε αδρανή λειτουργία πέραν του χρόνου ενεργοποίησης).

ENH101-17

### **Μόνο για χώρες της Ευρώπης**

#### **Δήλωση Συμμόρφωσης ΕΚ**

##### **Η Makita δηλώνει ότι τα ακόλουθα μηχανήματα:**

Χαρακτηρισμός μηχανήματος:

Δισκοπρίονο

Αρ. μοντέλου/ Τύπος: HS6100, HS6101, HS7100, HS7101

##### **Συμμορφώνονται με τις ακόλουθες Ευρωπαϊκές Οδηγίες:**

2006/42/ΕΚ

Κατασκευάζονται σύμφωνα με τα ακόλουθα πρότυπα ή έγγραφα τυποποίησης:

EN60745

Το αρχείο τεχνικών στοιχείων, σύμφωνα με την Οδηγία 2006/42/ΕΚ, διατίθεται από:

Makita, Jan-Baptist Vinkstraat 2, 3070, Βέλγιο

31.12.2013



Yasushi Fukaya

Διευθυντής

Makita, Jan-Baptist Vinkstraat 2, 3070, Βέλγιο



**Genel görünüşün açıklanması**

1 Kol	13 Gevşetin	25 Kısaç kolu
2 Ön kol	14 Sıkılayın	26 Destek perdesi (Kılavuz çubuğu)
3 Arka kelebek somunu	15 Mil kilidi	27 0° için ayar vidası
4 Stoper	16 Montaj mili	28 45° için ayar vidası
5 0° konumu	17 İç flanş	29 Üçgen cetvel
6 45° konumu	18 Testere bıçağı	30 Kaide
7 Kesim çizgisi	19 Dış flanş	31 Limit işareti
8 Vida	20 Altigen cıvata	32 Tornavida
9 Anahtar tetik	21 Bilezik	33 Fırça tutucu kapağı
10 Kilit açma düğmesi	22 Toz oluğu	
11 Lamba	23 Elektrikli süpürge	
12 Altigen anahtar	24 Hortum	

**TEKNİK ÖZELLİKLER**

Model	HS6100	HS6101	HS7100	HS7101
Bıçak çapı	165 mm		190 mm	
Maks. kesim derinliği	0°'de	54,5 mm	67 mm	
	45°'de	39,5 mm	48,5 mm	
	50°'de	35,5 mm	43,5 mm	
Yüksüz hız (dak <sup>-1</sup> )	5.500			
Toplam uzunluk	297 mm		310 mm	
Net ağırlık	3,7 kg	3,7 kg	4,0 kg	4,0 kg
Emniyet sınıfı	□/II			

- Sürekli yapılan araştırma ve geliştirmelerden dolayı, burada belirtilen özellikler önceden bildirilmeksizin değiştirilebilir.
- Özellikler ülkeden ülkeye değişebilir.
- EPTA-Prosedürü 01/2003 uyarınca ağırlık

ENE078-1

**Kullanım amacı**

Bu alet, iş parçasına sıkı bir şekilde temas ederek tahta üzerinde boylamasına veya çaprazlamasına düz kesimler ve açılı kesimler yapmak için tasarlanmıştır. Uygun testere bıçakları ile alüminyum da kesilebilir.

ENF100-1

**220 – 250V arası düşük-voltaj dağıtım sistemleri içindir**

Elektrikli aletlerin açma-kapama işlemleri voltaj dalgalanmalarına sebep olur. Ana hatların uygun olmadığı durumlarda, bu makinanın çalıştırılması diğer makineler üzerinde ters etki yapabilir. Ana hatların impedansının 0,32 Ohm veya daha küçük olması durumunda, ters etkilerin olmayacağı sayılabilir.

Bu makinanın bağlı olduğu ana priz, yavaş tetikleme özellikleri olan sigorta veya devre kesici ile korunmalıdır.

**Genel Elektrikli Alet Güvenliği**

GEA010-1

**⚠ UYARI!** Tüm güvenlik uyarılarını ve tüm talimatları okuyun. Uyarılara ve talimatlara uyulmaması elektrik şoku, yangın ve/veya ciddi yaralanmalar ile sonuçlanabilir.

Tüm uyarıları ve talimatları ileride başvurmak için saklayın.

GEB013-6

**DAİRE TESTERE İLE İLGİLİ GÜVENLİK UYARILARI****Kesim prosedürleri**

- ⚠ TEHLİKE:** Ellerinizi kesim alanından ve bıçaktan uzak tutun. Elinizin birini yardımcı tutamak ya da motor yuvasının üzerinde tutun. İki elinizde testere üzerinde olursa bıçak tarafından kesilme riski olmaz.
- İş parçasının altından tutmayın.** Koruma, iş parçasının altında sizi koruyamaz.
- Kesim derinliğini iş parçasının kalınlığına göre ayarlayın.** Bıçak dişlerinden bir dişten az bir kısım iş parçasının altından görünebilmelidir.

4. Kesilmekte olan parçayı asla elinizle ya da bacaklarınızla tutmayın. İş parçasını sabit platforma oturtun. Bedensel zarar gelmesini, bıçağın iş parçasına saplanıp kalmasını ya da kontrolün kaybedilmesini önlemek için yapılan işi uygun şekilde desteklemek oldukça önemlidir.



000157

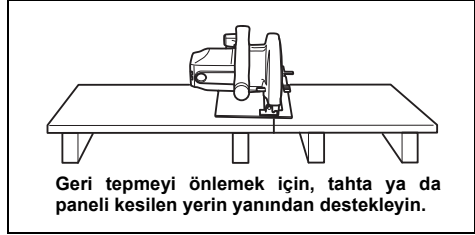
5. Kesici aletin görünmeyen kabloları ya da kendi kablosuna temas etme olasılığı bulunan yerlerde çalışırken elektrikli aleti yalıtımlı kavrama yüzeylerinden tutun. "Akımlı" bir tele temas edilmesi elektrikli aletin yalıtımsız metal kısımlarını "akımlı" hale getirebilir ve kullanıcıyı elektrik şokuna maruz bırakabilir.
6. Yarma sırasında daima bir destek perdesi ya da düz kenar kılavuzu kullanın. Bu daha doğru bir kesim yapılmasını sağlar ve bıçağın iş parçasına saplanıp kalma riskini azaltır.
7. Her zaman doğru delik şekline (elmas ya da yuvarlak) ve boyutuna sahip bıçaklar kullanın. Testerenin donanımına uymayan bıçaklar eksen dışı çalışır ve kontrolün kaybedilmesine neden olur.
8. Asla hasarlı ya da yanlış bıçak pulları veya civataları kullanmayın. Bıçak pulları ve civataları, en iyi performans ve kullanım güvenliğinin sağlanması amacıyla testereniz için özel olarak tasarlanmıştır.

#### Geri tepmenin nedenleri ve ilgili uyarılar

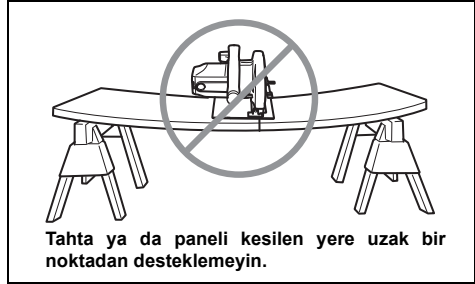
- geri tepme, sıkışan, takılan ya da yanlış hizalanan testere bıçağına karşı gösterilen ani bir tepkidir ve kontrol edilemeyen testerenin iş parçasından çıkıp operatöre doğru yukarı kalkmasına neden olur;
- kesik kapanarak bıçağın sıkışmasına ya da takılmasına neden olduğunda bıçak durur ve motorun tepkisi sonucu ünite hızlı bir şekilde kullanıcıya doğru geri teper;
- kesim sırasında bıçak bükülür ya da yanlış hizalanırsa, bıçağın arka kenarındaki dişler tahtanın üst yüzeyine geçebilir ve bıçağın kesikten dışarı çıkarak operatöre doğru geri tepmesine neden olabilir.

Geri tepmenin nedeni, testerenin yanlış kullanılması ve/veya hatalı kullanım prosedürleri veya koşullarının izlenmesidir ve aşağıda belirtilen önlemler alınarak bundan kaçınılabilir.

9. Testereyi iki elinizle sıkıca tutun ve kollarınızı geri tepme gücüne karşı koyabilecek şekilde yerleştirin. Vücudunuzu bıçakla aynı hizaya değil bıçağın sağına ya da soluna doğru konumlandırın. Geri tepme, testerenin geriye doğru sıçrama yapmasına neden olabilir fakat uygun önlemler alınırsa geri tepme gücü operatör tarafından kontrol edilebilir.
10. Bıçak takılırsa veya herhangi bir nedenle kesime ara vermeniz gerektiğinde, tetiği serbest bırakın ve bıçak tamamen durana kadar testereyi malzeme üzerinde hareketsiz bir şekilde tutun. Bıçak hareket halindeyken testereyi asla iş parçasından çıkarmaya çalışmayın, aksi takdirde geri tepme yaşanabilir. Bıçağın takılmasının nedenini araştırıp, önlemek için gerekli düzeltici eylemleri yerine getirin.
11. Testereyi iş parçasının içinde yeniden başlatırken, testere bıçağını kesici ortalamayın ve testere dişlerinin malzemenin içine girmiş olduğundan emin olun. Testere bıçağı takılırsa, testere yeniden başlatıldığında yukarı kalkabilir ya da geri tepebilir.
12. Bıçağın sıkışması ve geri tepme riskini en aza indirmek için geniş paneller üzerinde çalışırken destek kullanın. Geniş paneller kendi ağırlıkları yüzünden eğilebilir. Panelin altına her iki tarafa, kesim çizgisinin yanına ve panel kenarının yanına destek yerleştirilmelidir.



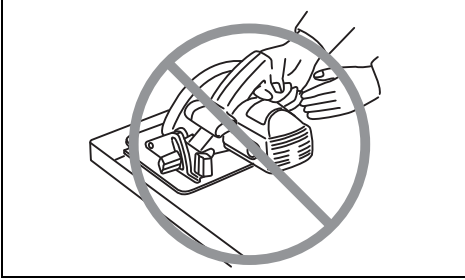
000154



000156

13. Kör ya da hasarlı bıçaklar kullanmayın. Keskinleştirilmemiş ya da yanlış ayarlanmış bıçaklar dar bir kesik yapılmasına ve sonuç olarak aşırı sürtünmeye, bıçağın saplanmasına ve geri tepmeye neden olabilir.
14. Kesim yapmadan önce, bıçak derinliği ve eğimi ayarlamaya yarayan kilitleme kolları sıkı ve sağlam olmalıdır. Bıçağın ayarı kesim sırasında değişirse bıçağın sağlanmasına ya da geri tepmeye neden olabilir.

15. Mevcut duvarlarda ya da başka kör alanlarda kesim yaparken daha fazla dikkat sarf edin. Dışarı çıkan bıçak başka nesnelere kesilmesine, bu da geri tepmeye neden olabilir.
16. Aleti DAİMA iki elinizle sıkıca tutun. Elinizi ya da parmaklarınızı ASLA testerenin arkasına yerleştirmeyin. Geri tepme meydana gelirse, testere kolayca geri fırlayarak elinize gelebilir ve ciddi yaralanmalara yol açabilir.



000194

17. Testereyi asla zorlamayın. Testereyi belli bir hızda ileri doğru itin, böylece bıçak yavaşlamadan kesmeye devam eder. Testereyi zorlamak dengesiz kesimlere, hassasiyet kaybına ve geri tepmeye neden olabilir.

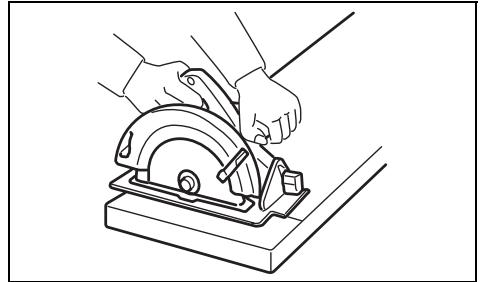
#### Alt koruma parçasının işleyişi

18. Her kullanımdan önce alt koruma parçasının doğru bir şekilde kapatılıp kapatılmadığını kontrol edin. Alt koruma parçası serbest bir şekilde hareket etmiyor ve anında kapanmıyorsa testereyi kullanmayın. Alt koruma parçasını asla açık konumda kalacak şekilde sıkıştırmayın ve bağlamayın. Testere kazayla düşerse alt koruma parçası bükülebilir. Alt koruma parçasını geri çekme kolu ile kaldırın ve tüm açılarda ve tüm kesme derinliklerinde serbest bir şekilde hareket ettirdiğinden, bıçağa ya da diğer parçalara temas etmediğinden emin olun.
19. Alt koruma parçasına ait yay işleyişini kontrol edin. Koruma parçası ya da yay düzgün işlemiyorsa, kullanmadan önce tamir edilmelidir. Hasarlı parçalar, yapışkan nitelikli artıklar ya da talaş birikmesi alt koruma parçasının yavaş çalışmasına neden olabilir.
20. Alt koruma parçası, sadece “dalmalı tip kesme” ve “birleşik kesme” gibi özel kesimler için elle geri çekilebilir. Bıçak malzemeye girer girmez alt koruma parçasını geri çekme kolu ile kaldırın, bunu yaptığımızda alt koruma parçası serbest kalmalıdır. Diğer tüm testere işlemlerinde alt koruma parçası otomatik olarak çalışmalıdır.
21. Testereyi tezgahın ya da zeminin üstüne yerleştirmeden önce alt koruma parçasının bıçağı örttüğünden emin olun. Korumasız, boşta kalan bir bıçak testerenin geri hareket ederek ötünde ne varsa kesmesine neden olur. Düşmeye basıldıktan sonra bıçağın durması için gereken zamana dikkat edin.

22. Alt siperi kontrol etmek için, alt siperi elle açın, sonra serbest bırakıp, kapanmasını izleyin. Ayrıca geri çekme kolunun alet gövdesine değmediğini de kontrol edin. Bıçağı açıkta bırakmak ÇOK TEHLİKELİDİR ve ciddi yaralanmalara yol açabilir.

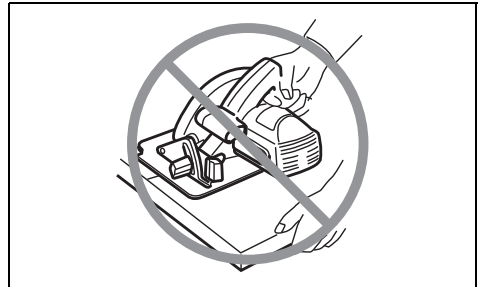
#### Ek güvenlik uyarıları

23. Nemli tahtaları, basınçla işlem görmüş keresteleri ya da budaklı tahta parçalarını keserken daha dikkatli olun. Bıçak uçlarının aşırı ısınmasını önlemek için bıçağın hızında azalma olmadan aletin yumuşak bir şekilde ilerlemesini sağlayın.
24. Bıçak hareket halindeyken kesilen malzemeyi çıkarmaya çalışmayın. Kesilen materyale ellemeden önce bıçağın durmasını bekleyin. Kapatıldıktan sonra bıçaklar bir müddet boşta hareket edebilir.
25. Çivileri Kesmeyin. Kesim işleminden önce kerestenin üzerinde çivi olup olmadığını kontrol edin ve varsa hepsinin çıkarın.
26. Testere kaidesinin geniş kısmını, iş parçasının kesim yapıldığında düşecek olan bölümüne değil, sağlam bir şekilde desteklenen bölümünün üzerine yerleştirin. Örneğin, Şek. A, bir tahtanın son kısmını kesmenin DOĞRU yolunu, Şek. B ise YANLIŞ yolunu göstermektedir. İş parçası kısa ya da küçükse sabitleyin. KÜÇÜK PARÇALARI ELLE TUTARAK KESMEYE ÇALIŞMAYIN!



Şek. A

000147

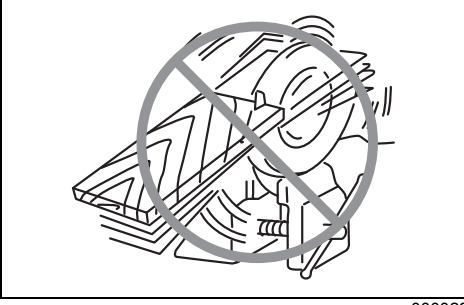


Şek. B

000150

27. Bir kesimi gerçekleştirdikten sonra aleti bırakırken, alt koruma parçasının kapalı olduğundan ve bıçağın tam olarak durduğundan emin olun.

28. Daire testere ile mengene içinde baş aşağı tutarak kesim yapmaya asla çalışmayın. Bu çok tehlikelidir ve ciddi kazalara yol açabilir.



000029

29. Bazı malzemeler zehirli olabilen kimyasallar içerirler. Toz yutmayı ve cilt temasını önlemek için tedbir alın. Malzeme sağlayıcısının güvenlik bilgilerine uyun.
30. Testere bıçağına yatay basınç uygulayarak bıçakları durdurmayın.
31. Daima bu kılavuzda tavsiye edilen bıçakları kullanın. Zımpara taşı kullanmayın.
32. Bıçağı keskin ve temiz tutun. Bıçakların üzerinde sertleşen sakız veya zamk, testereyi yavaşlatır ve geri tepme riskini artırır. Bıçağı önce aletten çıkarıp ardından sakız ve zamk çözücü bir madde, sıcak su veya gaz yağı ile temizleyin. Asla benzin kullanmayın.
33. Aleti kullanırken toz maskesi ve koruyucu kulaklık takın.

## BU TALİMATLARI MUHAFAZA EDİNİZ.

### ⚠ UYARI!

Ürünü kullanırken (defalarca kullanınca kazanılan) rahatlık ve tanıdıklık duygusunun ilgili ürünün güvenlik kurallarına sıkı sıkıya bağlı kalmanın yerine geçmesine İZİN VERMEYİN. YANLIŞ KULLANIM veya bu kullanma kılavuzunda belirtilen emniyet kurallarına uymama ciddi yaralanmaya neden olabilir.

## İŞLEVSEL NİTELİKLER

### ⚠ DİKKAT:

- Alet üzerinde ayarlama ya da işleyiş kontrolü yapmadan önce aletin kapalı ve fişinin çekili olduğundan daima emin olun.

### Kesim derinliğinin ayarlanması (Şek. 1)

### ⚠ DİKKAT:

- Kesim derinliğini ayarladıktan sonra kolu daima iyice sıkılayın.

Derinlik kılavuzunun üzerindeki kolu gevşetin ve kaideyi yukarı veya aşağıya doğru hareket ettirin. İstenilen kesim derinliğinde kolu sıkılayarak kaideyi sabitleyin. Daha temiz ve güvenli kesimler için, kesim derinliğini bıçağın bir dişinden fazlası iş parçasının altından çıkarmayacak şekilde ayarlayın. Doğru kesim derinliğinin kullanılması ciddi yaralanmalara neden olabilecek olası GERİ TEPMELERİN önlenmesini sağlar.

### Eğimli kesim (Şek. 2, 3 ve 4)

Ön kolu ve arka kelebek somununu gevşetin. Gereken şekilde eğerek istenen açığı (0° – 50°) ayarlayın ve ardından kolu ve kelebek somununu iyice sıkılayın.

Tam 45° açı ile kesim yaparken 45° stoperini kullanın. Eğimli kesim için (0° – 45°) stoperi saat yönünde tam olarak döndürün. 0° – 50° eğimli kesimler için ise saatın aksi yönde döndürün.

### Yön verme (Şek. 5)

Düz kesimler için, kaide nin önündeki 0° konumunu kesim çizginizle hizalayın. 45° eğimli kesimler için ise, 45° konumunu bu çizgi ile hizalayın. Üst kılavuzun konumu ayarlanabilir.

### Açma/Kapama işlemi (Şek. 6)

### ⚠ DİKKAT:

- Makinayı fişe takmadan önce, anahtar tetiğinin düzgün çalıştığından ve bırakıldığında "OFF" (KAPALI) pozisyona döndüğünden emin olun.

Anahtar tetiğinin kaza sonucu çekilmesini önlemek için, bir güvenlik kilidi düğmesi sunulmuştur. Aleti başlatmak için güvenlik kilidi düğmesine bastırın ve anahtar tetiği çekin. Durdurmak için anahtar tetiği bırakın.

Kilitleme kolunu çekmeden anahtar kolunu sıkıca çekmeyin. Bu, anahtarın kırılmasına neden olabilir.

### Model HS6101, HS7101 için

### Lambanın yakılması (Şek. 7)

### ⚠ DİKKAT:

- Lambaya ya da ışığın kaynağına doğrudan bakmayın.

Aletin fişi takıldığında lamba yanar. Alet fişten çekilene kadar lamba yanmaya devam eder.

### NOT:

- Lamba lensindeki kirleri temizlemek için kuru bir bez kullanın. Lambanın lensini çizmemeye dikkat edin, aksi takdirde aydınlatma gücü azalabilir.
- Lambanın lensini temizlemek için asla mazot, tiner gibi temizleyiciler kullanmayın. Bu tür maddelerin kullanılması lenslere zarar verir.

## MONTAJ

### ⚠ DİKKAT:

- Alet üzerinde herhangi bir iş yapmadan önce aletin kapalı ve fişinin çekili olduğundan daima emin olun.

### Testere bıçağının takılması ve çıkarılması (Şek. 8)

### ⚠ DİKKAT:

- Bıçağın, aletin ön kısmında dişler yukarı bakacak şekilde takıldığından emin olun.
- Bıçağı takmak ve çıkarmak için sadece Makita marka anahtar kullanın.

Bıçağı çıkarmak için, şaft kilidine basarak bıçağın dönmelerini engelleyin ve altıgen anahtarı kullanarak altıgen civataları saatin aksi yönde çevirerek gevşetin. Ardından altıgen civatayı, dış flanşı ve bıçağı çıkarın.

### 15,88 mm delik çaplı bir testere bıçağı için iç flanşlı aletler (Şek. 9)

İç flanşı girintili tarafı montaj mili doğru bakacak şekilde monte edin ve ardından testere bıçağını, dış flanşı ve altıgen civatayı takın.

ALTIGEN CIVATAYI SAAT YÖNÜNDE DÖNDÜREREK SIKILADIĞINDAN EMİN OLUN.

### 15,88 mm delik çaplı dışındaki testere bıçakları için iç flanşlı aletler (Şek. 10)

İç flanşın bir tarafında belli bir çapta çıkıntı, diğer tarafında farklı bir çapta çıkıntı mevcuttur. Testere bıçağı deliğine tam oturacak doğru çıkıntıyı seçin.

Daha sonra, iç flanş üzerindeki çıkıntının doğru tarafı dışarı gelecek şekilde iç flanşın montaj miline bağlayın ve ardından testere bıçağını ve dış flanşı yerleştirin.

ALTİGEN CİVATAYI SAAT YÖNÜNDE DÖNDÜREREK SIKILADIĞINDAN EMİN OLUN.

#### ⚠ DİKKAT:

- İç flanş üzerindeki dışarı bakan "a" çıkıntısının testere bıçağın "a" deliğine tam olarak uyduğundan emin olun. Bıçağın yanlış tarafa takılması tehlikeli titreşimlere neden olabilir.

Bıçağı değiştirirken, üst ve alt bıçak koruma parçalarında biriken testere tozunu temizlediğinizden emin olun. Fakat bunu yapmak, her kullanımdan önce alt koruma parçasının işleyişini kontrol etme gereğini ortadan kaldırmaz. (Şek. 11)

### Altıgen anahtarın saklanması (Şek. 12)

Kullanılmadığı zamanlarda, altıgen anahtarın kaybolmasını önlemek için anahtarı şekilde gösterildiği gibi saklayın.

### Elektrikli süpürge'nin bağlanması (Şek. 13 ve 14)

Temiz bir kesim işlemi gerçekleştirmek istiyorsanız, aletinize Makita marka bir elektrikli süpürge bağlayın. Alet üzerindeki toz oluşunu vida kullanarak monte edin. Ardından, elektrik süpürge hortumunu şekilde gösterildiği gibi toz oluşuna bağlayın.

### İŞLEM (Şek. 15)

#### ⚠ DİKKAT:

- Aleti düz bir çizgi boyunca hafifçe ilerlettiğinizden emin olun. Aleti zorlamak veya bükmek motorun aşırı ısınmasına ve tehlikeli geri tepmelere neden olarak ciddi yaralanmalara yol açabilir.
- Her zaman ön kavrama kolunu ve arka tutamağı kullanın ve işlem sırasında aleti hem ön kavrama kolu hem de arka tutamak ile sıkıca tutun.

Aleti sıkıca tutun. Alet üzerinde hem önde bir kavrama kolu hem de arkada bir tutamak mevcuttur. Aleti en iyi şekilde kavramak için iki elinizi birlikte kullanın. İki elinizde testere üzerinde olursa bıçak tarafından kesilme riski olmaz. Kaideyi kesilecek iş parçasının üzerine yerleştirirken bıçağın temas etmediğinden emin olun. Aleti çalıştırın ve bıçak tam hızla ulaşana kadar bekleyin. Şimdi aleti iş parçasının yüzeyi üzerinde ileri doğru ittirip kesim işlemi tamamlanan kadar düz tutarak yumuşak bir şekilde ilerletin.

Temiz bir kesim için, kesim çizginizi düz, hızınızı sabit tutmaya özen gösterin. Kesim, istediğiniz kesim çizgisini düzgün bir şekilde takip etmezse geri dönmeye ya da aleti kesim çizgisine zorlamaya çalışmayın. Aksi takdirde bıçak takılabilir, tehlikeli geri tepmelere ve olası ciddi yaralanmalara neden olabilir. Anahtar tetiği bırakın, bıçağın durmasını bekleyin ve aleti çekin. Aleti yeni bir kesim çizgisine hizalayın ve kesimi yeniden başlatın. Kullanıcıyı testereden çıkan kıymık ve çapaklara maruz bırakacak konumlardan kaçının. Yaralanmayı önlemeye yardımcı olması için koruyucu gözlük kullanın.

### Destek perdesi (kılavuz çubuğu) (Şek. 16)

Kullanışlı bir aksesuar olan destek perdesi çok daha hassas düz kesimler yapmanızı sağlar. Destek perdesini iş parçasının kenarına yavaşça kaydırın ve kaidenin ön kısmındaki vida ile yerine sabitleyin. Aynı genişlikte ardıl kesimler yapmayı da kolaylaştırır.

### BAKIM

#### ⚠ DİKKAT:

- Muayene ya da bakım yapmadan önce aletin kapalı ve fişinin çekili olduğundan daima emin olun.
- Benzin, tiner, alkol ve benzeri maddeleri kesinlikle kullanmayın. Renk değişimi, deformasyon veya çatlaklar oluşabilir.

### 0° ve 45° açılı kesimler (dikey ve 45° açılı kesimler) için hassasiyetin ayarlanması (Şek. 17 ve 18)

Bu ayar fabrikada yapılmıştır. Fakat bozulmuşsa, üçgen cetvel ya da kare cetvel vb. aletler kullanarak bıçağın kaideyle 0° veya 45° açı yaptığı konumu tespit ederek, bir altıgen anahtar ile ayar vidalarını ayarlayın.

### Paralellüğün ayarlanması (Şek. 19)

Bıçak ile kaide arasındaki paralellik fabrikada ayarlanmıştır. Fakat bozulmuşsa, aşağıdaki prosedürü kullanarak ayarı düzeltebilirsiniz.

Tüm kolların ve vidaların sıkıştırıldığından emin olun. Vidayı şekilde gösterildiği gibi hafifçe gevşetin. Alt koruma parçasını açarken, kaidenin arka kısmını A ve B arasındaki mesafe eşit olacak şekilde hareket ettirin. Doğru bir paralellik elde etmek için bir deneme kesimi gerçekleştirin.

### Karbon fırçaların değiştirilmesi (Şek. 20 ve 21)

Karbon fırçaları düzenli olarak çıkarıp kontrol edin. Aşınma limit işaretine ulaşınca yenisiyle değiştirin. Karbon fırçaları temiz olmalı ve tutucular içinde rahatça hareket edebilmelidir. Her iki karbon fırça da aynı zamanda değiştirilmelidir. Sadece birbirinin aynısı olan karbon fırçalar kullanın.

Fırça tutucu kapaklarını çıkarmak için bir tornavida kullanın. Aşınan karbon fırçaları çıkarın, yenilerini takın ve fırça tutucu kapakları sabitleyin.

Fırçaları değiştirdikten sonra, aleti fişe takın ve aleti yük-süz olarak yaklaşık 10 dakika çalıştırın fırçaların alışmasını sağlayın. Daha sonra çalışma sırasında aletin işleyişini ve anahtar tetik bırakıldığında elektrikli fren sisteminin işleyişini kontrol edin. Elektrikli fren sistemi doğru bir şekilde çalışmıyorsa, aleti bir Makita servis merkezinde tamir ettirin.

Aleti EMNİYETLİ ve ÇALIŞMAYA HAZIR durumda tutmak için onarımlar, başka her türlü bakım ve ayarlamalar daima Makita yedek parçaları kullanılarak Makita yetkili servis merkezleri tarafından yapılmalıdır.

## İSTEĞE BAĞLI AKSESUARLAR

ENG901-1

### ⚠ DİKKAT:

- Bu aksesuarlar ve ek parçalar bu el kitabında belirtilen Makita makinanız ile kullanılmak için tavsiye edilmektedir. Herhangi başka bir aksesuar ya da ek parça kullanılması yaralanma riski doğurabilir. Aksesuarları ya da ek parçaları yalnızca belirtilmiş olan kullanım amaçlarına uygun olarak kullanın.

Bu aksesuarlarla ilgili daha fazla bilgiye ihtiyaç duyarsanız bulunduğunuz yerdeki yetkili Makita servisine başvurun.

- Testere bıçakları
- Destek perdesi (Kılavuz çubuğu)
- Kılavuz ray
- Kılavuz ray adaptörü
- Altıgen anahtar
- Menteşe

### NOT:

- Listedeki bazı parçalar standart aksesuar olarak ürün paketinin içine dahil edilmiş olabilir. Aksesuarlar ülkeden ülkeye farklılık gösterebilir.

ENG905-1

### Gürültü

EN60745 standardına göre belirlenen tipik A-ağırlıklı gürültü düzeyi:

#### Model HS6100, HS6101

Ses basıncı düzeyi ( $L_{pA}$ ): 89 dB (A)  
Ses gücü düzeyi ( $L_{WA}$ ): 100 dB (A)  
Belirsizlik (K): 3 dB (A)

#### Model HS7100, HS7101

Ses basıncı düzeyi ( $L_{pA}$ ): 90 dB (A)  
Ses gücü düzeyi ( $L_{WA}$ ): 101 dB (A)  
Belirsizlik (K): 3 dB (A)

#### Kulak koruyucuları takın

ENG900-1

### Titreşim

EN60745 standardına göre hesaplanan titreşim toplam değeri (üç eksenli vektör toplamı):

#### Model HS6100, HS6101

Çalışma modu: tahta kesme  
Titreşim emisyonu ( $a_{h, W}$ ): 2,5 m/s<sup>2</sup> den az  
Belirsizlik (K): 1,5 m/s<sup>2</sup>

#### Çalışma modu: metal kesme

Titreşim emisyonu ( $a_{h, M}$ ): 2,5 m/s<sup>2</sup>  
Belirsizlik (K): 1,5 m/s<sup>2</sup>

#### Model HS7100, HS7101

Çalışma modu: tahta kesme  
Titreşim emisyonu ( $a_{h, W}$ ): 2,5 m/s<sup>2</sup> den az  
Belirsizlik (K): 1,5 m/s<sup>2</sup>

#### Çalışma modu: metal kesme

Titreşim emisyonu ( $a_{h, M}$ ): 2,5 m/s<sup>2</sup>  
Belirsizlik (K): 1,5 m/s<sup>2</sup>

- Beyan edilen titreşim emisyon değeri standart test yöntemine uygun şekilde ölçülmüştür ve bir aleti bir başkasıyla karşılaştırmak için kullanılabilir.
- Beyan edilen titreşim emisyon değeri bir ön maruz kalma değerlendirilmesi olarak da kullanılabilir.

### ⚠ UYARI

- Bu elektrikli aletin gerçek kullanımı sırasındaki titreşim emisyonu aletin kullanım biçimlerine bağlı olarak beyan edilen emisyon değerinden farklı olabilir.
- Gerçek kullanım koşullarındaki maruz kalmanın bir tahmini hesaplaması temelinde operatörü koruyacak güvenlik önlemlerini mutlaka belirleyin (çalışma döngüsü içerisinde aletin kapalı olduğu ve aktif durumda olmasının yanı sıra boşta çalıştığı zamanlar gibi, bütün zaman dilimleri göz önünde bulundurularak değerlendirilmelidir).

ENH101-17

### Sadece Avrupa ülkeleri için

### EC Uygunluk Beyanı

**Biz Makita Corporation beyan ederiz ki aşağıdaki makine(ler):**

Makine Adı:

Daire testere

Model No./ Tipi: HS6100, HS6101, HS7100, HS7101

**Aşağıdaki Avrupa Direktiflerine uygundur:**

2006/42/EC

Aşağıdaki standartlara veya standartlaştırılmış belgelere uygun olarak imal edilmişlerdir:

EN60745

2006/42/EC uyumluluğuna ilişkin teknik dosyaya şuradan ulaşılabilir:

Makita, Jan-Baptist Vinkstraat 2, 3070, Belçika

31.12.2013



Yasushi Fukaya  
Müdür

Makita, Jan-Baptist Vinkstraat 2, 3070, Belçika



**Makita** Jan-Baptist Vinkstraat 2, 3070, Belgium  
**Makita Corporation** Anjo, Aichi, Japan