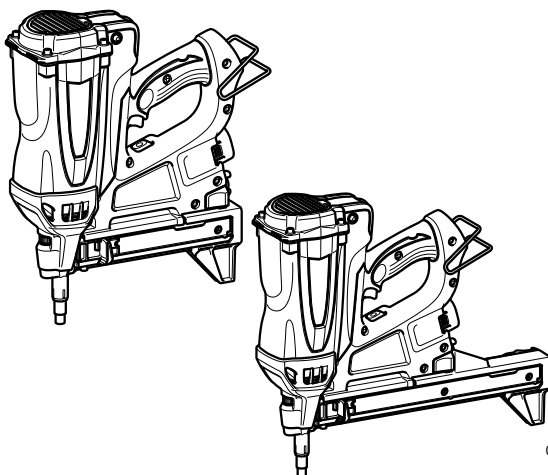




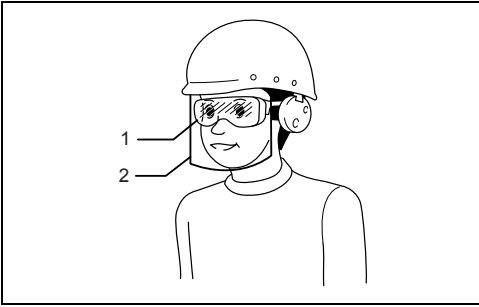
GB	Cordless Concrete Nailer	Instruction manual
F	Cloueur à gaz pour béton	Manuel d'instructions
D	Gasdruck-Betonnagler	Betriebsanleitung
I	Chiodatrice a batteria per cemento	Istruzioni per l'uso
NL	Accubetonnagelpistool	Gebruiksaanwijzing
E	Clavadora a gas-batería para concreto	Manual de instrucciones
P	Pinador para concreto a bateria	Manual de instruções
DK	Ledningsfri betonsømpistol	Brugsanvisning
GR	Καρφωτικό τσιμέντου μπαταρίας	Οδηγίες χρήσης
TR	Akülü Beton Çivi Çakma Tabancası	Kullanım kılavuzu

GN420C



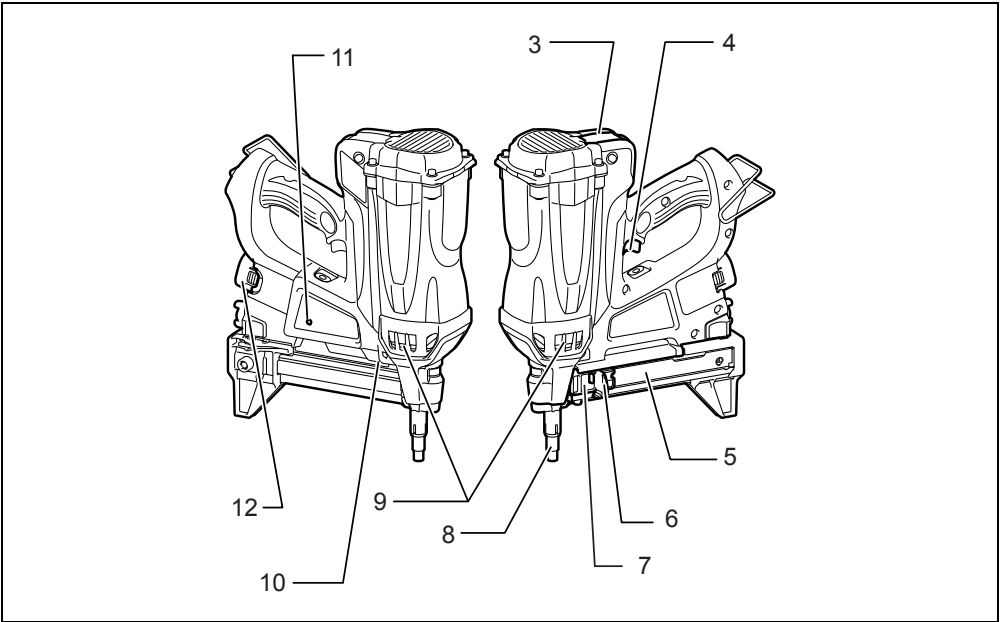
013225





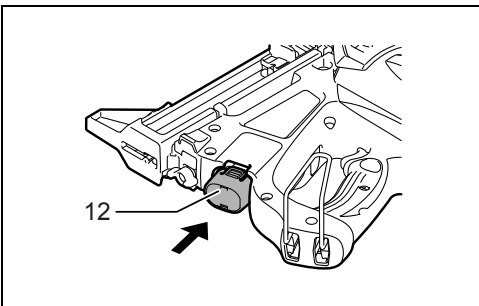
1

000114



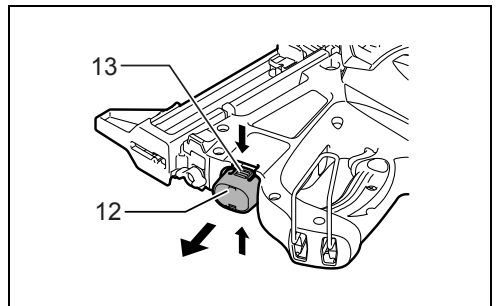
2

013150



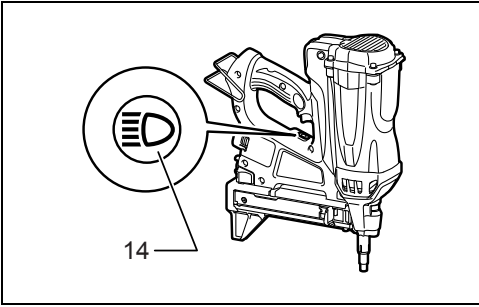
3

013181



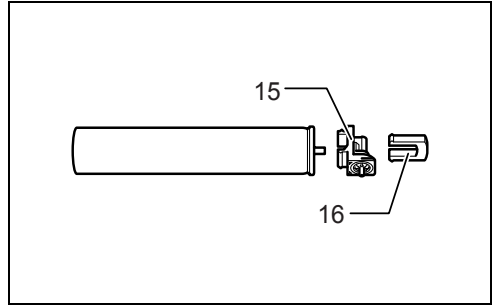
4

013151



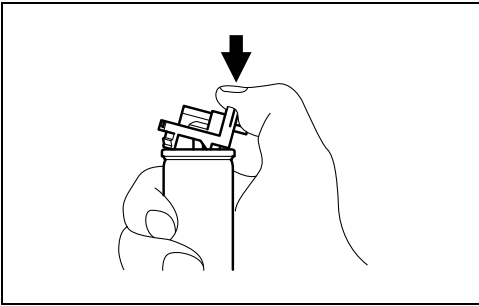
5

013167



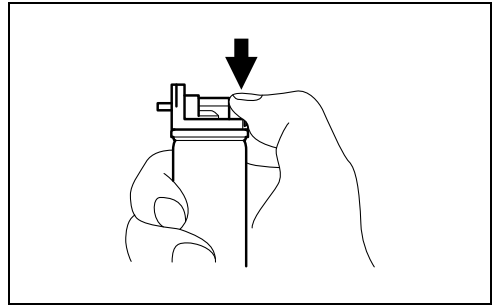
6

009445



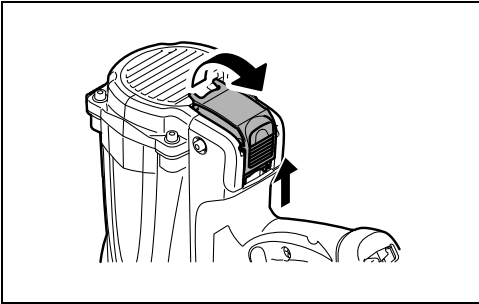
7

009446



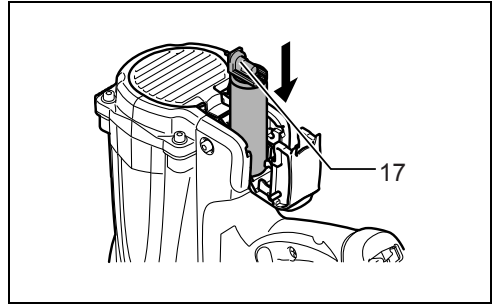
8

009447



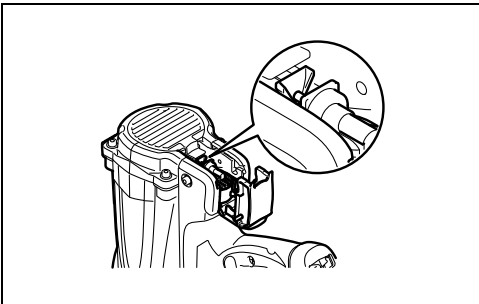
9

013152



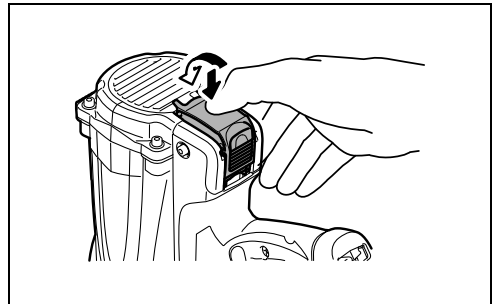
10

013153



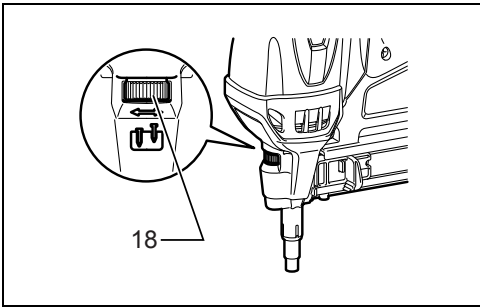
11

013154



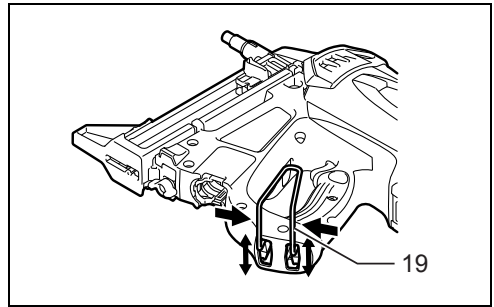
12

013155



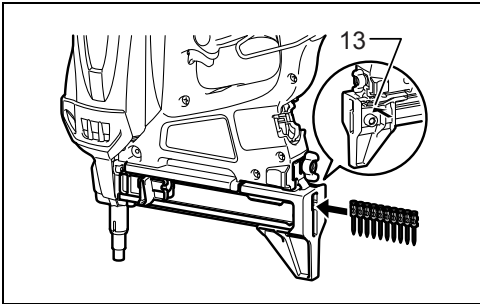
13

013168



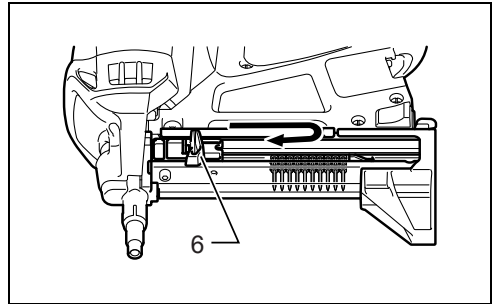
14

013156



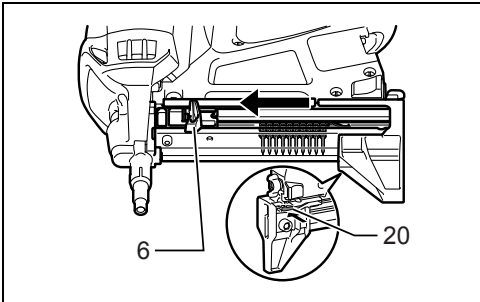
15

013157



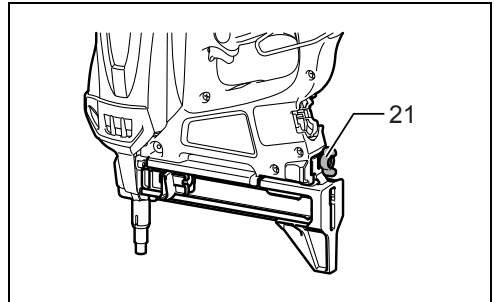
16

013158



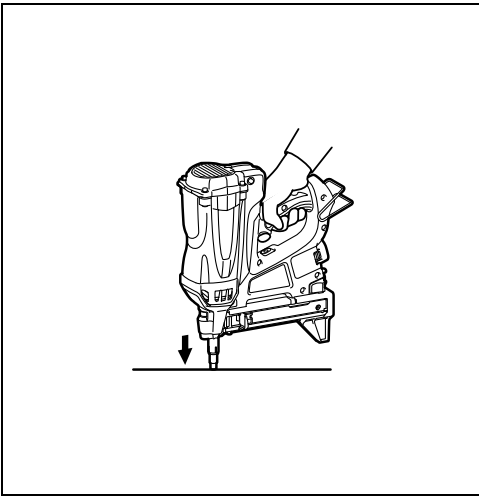
17

013159



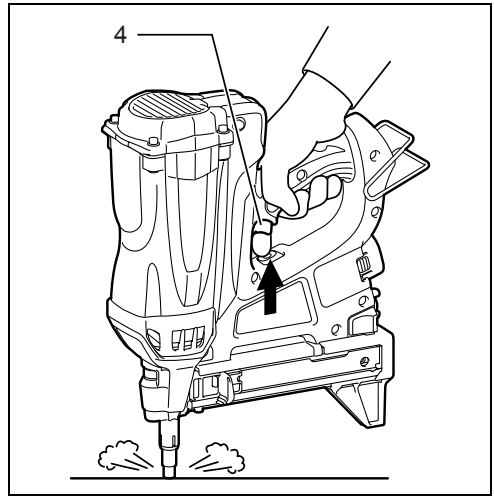
18

013165



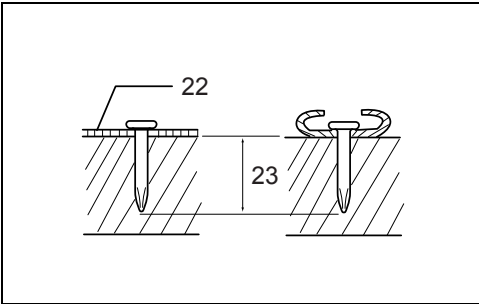
19

013160



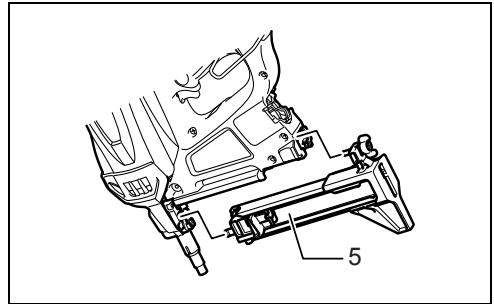
20

013161



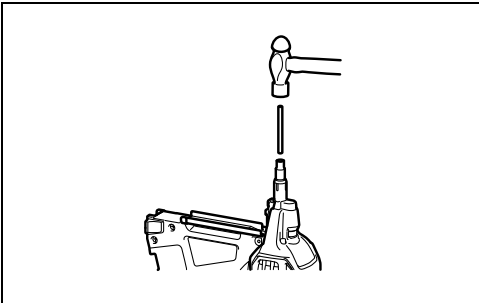
21

010319



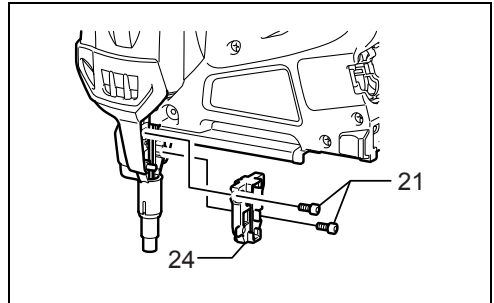
22

013166



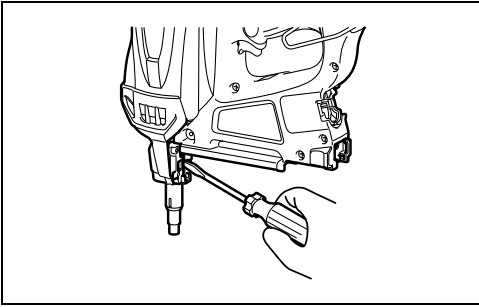
23

013163



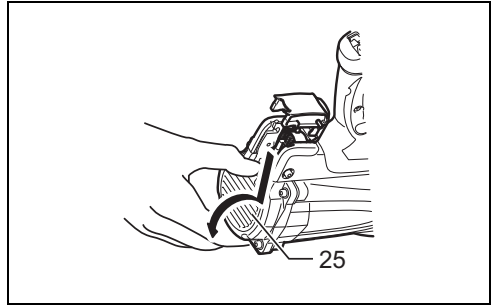
24

013227



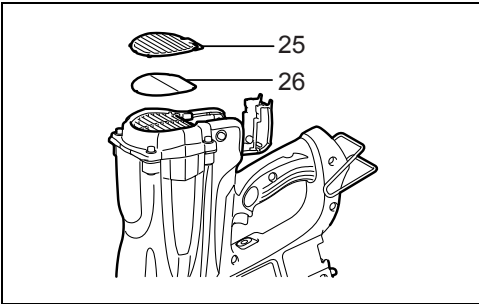
25

013164



26

013226



27

013162

ENGLISH (Original instructions)

Explanation of general view

- | | | |
|--------------------|-----------------------|--------------------------------------|
| 1. Safety glasses | 10. Lamp | 19. Hook |
| 2. Face shield | 11. Indicating lamp | 20. Nail stopper |
| 3. Fuel cover | 12. Battery cartridge | 21. Bolt |
| 4. Trigger | 13. Button | 22. Thin steel plate |
| 5. Magazine | 14. Lamp button | 23. Penetration amount into concrete |
| 6. Pusher lever | 15. Metering valve | 24. Under driver guide |
| 7. Pusher button | 16. Cap | 25. Filter cover |
| 8. Contact element | 17. Jet nozzle | 26. Filter |
| 9. Exhaust vent | 18. Adjuster | |

SPECIFICATIONS


Model	GN420C	
Nail capacity	20 nails (2 strips)	40 nails (4 strips)
Dimensions (L X W X H)	315 mm X 108 mm X 390 mm	430 mm X 108 mm X 390 mm
Net weight	3.6 kg	3.8 kg
Nail length X Shank diameter	Nail L: 15 mm - 40 mm, d: 2.6 mm - 3.1 mm	
Rated voltage	D.C. 7.2 V	


- Due to our continuing program of research and development, the specifications herein are subject to change without notice.
- Specifications and battery cartridge may differ from country to country.
- Weight, with battery cartridge, according to EPTA-Procedure 01/2003


Symbols


END107-7


The following show the symbols used for the equipment. Be sure that you understand their meaning before use.


 ... Read instruction manual.


 Container under pressure, keep away from temperatures over 50°C (for ex. sun radiation). Keep container in a well ventilated place.


 Use only outside or well ventilated rooms. Do not breathe gas.


 Do not use near flames or sprays on heated surfaces. In use, may form flammable/explosive vapour-air mixture.

 Do not damage, puncture or burn even after use.

 Wear safety glasses.

 Keep fingers away from trigger when not driving fasteners to avoid accidental firing.

 Use only in ventilated area to avoid nausea and unconsciousness. Never use tool in combustible atmospheres. The tool exhaust may ignite flammable materials.

 Do not use on scaffoldings, ladders.



..... Warning: hot surface!
Do not touch around this symbol.
Touching the surface may cause burns or injuries.



..... Only for EU countries
Do not dispose of electric equipment or battery pack together with household waste material!
In observance of the European Directives, on Waste Electric and Electronic Equipment and Batteries and Accumulators and Waste Batteries and Accumulators and their implementation in accordance with national laws, electric equipment and batteries and battery pack(s) that have reached the end of their life must be collected separately and returned to an environmentally compatible recycling facility.

Intended use

ENE072-1

The tool is intended for securing a thin steel plate to the concrete.

General Power Tool Safety Warnings

GEA010-1




WARNING Read all safety warnings and all instructions. Failure to follow the warnings and instructions may result in electric shock, fire and/or serious injury.

Save all warnings and instructions for future reference.

Cordless nailer/stapler safety warnings

ENB111-4

 **WARNING** Read all safety warnings and all instructions. Failure to follow the warnings and instructions may result in serious injury, electric shock and/or fire.


Save all warnings and instructions for future reference.

For personal safety and proper operation and maintenance of the tool, read this instruction manual before using the tool.

General safety

- Do not permit those uninstructed to use the tool.
- No horseplay. Respect the tool as a working implement.
- Do not operate when under the influence of alcohol, drugs or the like.
- Never alter the tool.

Personal protective equipments

- Always wear safety glasses to protect your eyes from dust or fastener injury.
 **WARNING:** It is an employer's responsibility to enforce the use of safety eye protection equipment by the tool operators and by other persons in the immediate working area.
For Australia and New Zealand only
Always wear safety glasses and face shield to protect your eyes from dust or fastener injury. The safety glasses and the face shield should conform with the requirements of AS/NZS 1336. (Fig. 1)
- Wear hearing protection to protect your ears against exhaust noise and head protection. Also wear light but not loose clothing. Sleeves should be buttoned or rolled up. No necktie should be worn.

Work area safety

- Never use the tool in enclosed or poorly ventilated spaces. Otherwise carbon monoxide may cause dizziness, nausea or unconsciousness.
- Keep work area clean and well lit. Cluttered or dark areas invite accidents.
- Do not operate the tool in explosive atmospheres, such as in the presence of flammable liquids, gases or dust. Operating the tool can create sparks which may ignite the dust or fumes.
- Keep children and bystanders away while operating the tool. Distractions can cause you to lose control.
- Illuminate the work area sufficiently.
- There may be local regulations concerning noise which must be complied with by keeping noise levels within prescribed limits. In certain cases, shutters should be used to contain noise.

Safety devices

- Make sure all safety systems are in working order before operation. The tool must not operate if only the trigger is pulled or if only the contact arm is pressed against the wood. It must work only when both actions

are performed. Test for possible faulty operation with fasteners unloaded and the pusher in fully pulled position.

- Do not play with the contact element: it prevents accidental discharge, so it must be kept on and not removed. Securing the trigger in the ON position is also very dangerous. Never attempt to fasten the trigger. Do not operate a tool if any portion of the tool operating controls is inoperable, disconnected, altered, or not working properly.
- Do not attempt to keep the contact element depressed with tape or wire. Death or serious injury may occur.
- Always check contact element as instructed in this manual. fasteners may be driven accidentally if the safety mechanism is not working correctly.

Loading fasteners

- Do not load the tool with fasteners when any one of the operating controls is activated.
- Use only fasteners specified in this manual. The use of any other fasteners may cause malfunction of the tool.

Power source

- Use the tool only with the Makita genuine fuel cell.
- Do not touch liquid gas sprayed out of the fuel cell. Contact with it may cause injury.
- Risk of fire and explosion. When handling the fuel cell for the purpose of storage, transportation, inserting into and taking out of the tool and disposal:
 - do not expose to sunlight and to temperatures exceeding 50°C (122°F);
 - do not smoke;
 - avoid sparks and open flame.
- Always remove the battery cartridge and remove all of the fasteners:
 - when unattended;
 - before performing any maintenance or repair;
 - before cleaning a jam;
 - before moving the tool to a new location.

Operational safety

- Always check the tool for its overall condition and loose screws before operation. Tighten as required.
- Handle the tool carefully, as there is high pressure inside the tool that can be dangerous if a crack is caused by rough handling (dropping or striking). Do not attempt to carve or engrave on the tool.
- Stop the operation immediately if you notice something wrong or out of the ordinary with the tool. An improperly functioning tool must not be used.
- Do not point the ejection port at anyone in the vicinity. Keep hands and feet away from the ejection port area.
- Always assume that the tool contains fasteners.
- Never point the tool toward yourself or anyone whether it contains fasteners or not.
- Do not rush the job or force the tool. Handle the tool carefully.
- Do not activate the tool unless the tool is placed firmly against the workpiece.
- Never hold or carry the tool with a finger on the trigger or hand it to someone in this condition. Accidental firing can cause serious injury.
- Never use fastener driving tools marked with the symbol "Do not use on scaffoldings, ladders" for specific application for example:

- when changing one driving location to another involves the use of scaffoldings, stairs, ladders, or ladder alike constructions, e.g. roof laths;
- closing boxes or crates;
- fitting transportation safety systems e.g. on vehicles and wagons.
- Check walls, ceilings, floors, roofing and the like carefully to avoid possible electrical shock, gas leakage, explosions, etc. caused by striking live wires, conduits or gas pipes.
- Do not use the tool for fastening electrical cables. It is not designed for electric cable installation and may damage the insulation of electric cables thereby causing electric shock or fire hazards.
- Watch your footing and maintain your balance with the tool. Make sure there is no one below when working in high locations to prevent danger if there is sudden jerking or catching.
- On rooftops and other high locations, drive fasteners as you move forward. It is easy to lose your footing if you drive fasteners while inching backward. When driving fasteners against perpendicular surface, work from the top to the bottom. You can perform driving operations with less fatigue by doing so.
- A fastener will be bent or the tool can become jammed if you mistakenly drive fastener on top of another fastener or strike a knot in the wood. The fastener may be thrown and hit someone, or the tool itself can react dangerously. Place the fasteners with care.
- Never attempt to drive fasteners from both the inside and outside at the same time. Fasteners may rip through and/or fly off, presenting a grave danger.

Service

- Perform cleaning and maintenance right after finishing the job. Keep the tool in tip-top condition. Lubricate moving parts to prevent rusting and minimize friction-related wear. Wipe off all dust from the parts.
- Ask Makita authorized service center for periodical inspection of the tool.
- To maintain product SAFETY and RELIABILITY, maintenance and repairs should be performed by Makita Authorized Service Centers, always using Makita replacement parts.

SAVE THESE INSTRUCTIONS.

WARNING:

DO NOT let comfort or familiarity with product (gained from repeated use) replace strict adherence to safety rules for the subject product. MISUSE or failure to follow the safety rules stated in this instruction manual may cause serious personal injury.

IMPORTANT SAFETY INSTRUCTIONS

ENC009-1

FOR BATTERY CARTRIDGE

1. **Before using battery cartridge, read all instructions and cautionary markings on (1) battery charger, (2) battery, and (3) product using battery.**
2. **Do not disassemble battery cartridge.**

3. **If operating time has become excessively shorter, stop operating immediately. It may result in a risk of overheating, possible burns and even an explosion.**
4. **If electrolyte gets into your eyes, rinse them out with clean water and seek medical attention right away. It may result in loss of your eyesight.**
5. **Do not short the battery cartridge:**
 - (1) **Do not touch the terminals with any conductive material.**
 - (2) **Avoid storing battery cartridge in a container with other metal objects such as nails, coins, etc.**
 - (3) **Do not expose battery cartridge to water or rain.**

A battery short can cause a large current flow, overheating, possible burns and even a breakdown.
6. **Do not store the tool and battery cartridge in locations where the temperature may reach or exceed 50°C (122°F).**
7. **Do not incinerate the battery cartridge even if it is severely damaged or is completely worn out. The battery cartridge can explode in a fire.**
8. **Be careful not to drop or strike battery.**
9. **Do not use a damaged battery.**

SAVE THESE INSTRUCTIONS.

Tips for maintaining maximum battery life

1. **Charge the battery cartridge before completely discharged.**
Always stop tool operation and charge the battery cartridge when you notice less tool power.
2. **Never recharge a fully charged battery cartridge. Overcharging shortens the battery service life.**
3. **Charge the battery cartridge with room temperature at 10°C - 40°C (50°F - 104°F). Let a hot battery cartridge cool down before charging it.**

Overview of the nailer (Fig. 2)

FUNCTIONAL DESCRIPTION

CAUTION:

- Always be sure to remove the fuel cell, the battery cartridge and nails before adjusting or checking function on the tool.

Installing or removing battery cartridge

CAUTION:

- Always switch off the tool before installing or removing of the battery cartridge.
- **Hold the tool and the battery cartridge firmly when installing or removing battery cartridge.** Failure to hold the tool and the battery cartridge firmly may cause them to slip off your hands and result in damage to the tool and battery cartridge and a personal injury. (Fig. 3)

To install the battery cartridge, hold it so that the battery cartridge front shape fits to that of the battery installment opening and slip it into place. Insert it all the way until it locks in place with a little click. (Fig. 4)

To remove the battery cartridge, withdraw it from the tool while pressing the both sides of the cartridge.

⚠ CAUTION:

- Always insert the battery cartridge all the way until it locks in place. If not, it may accidentally fall out of the tool, causing injury to you or someone around you.
- Do not install the battery cartridge forcibly. If the cartridge does not slide in easily, it is not being inserted correctly.

Lighting up the lamp

⚠ CAUTION:

- Do not look in the light or see the source of light directly. (Fig. 5)
- To switch on the Lamp, press the lamp button. To switch off the lamp, press the lamp button again.

Fuel cell

Attaching the metering valve to the fuel cell (Fig. 6)

Detach the cap (in case the metering valve is provided with the cap). (Fig. 7)

Push in the front edge. (Fig. 8)

Push in the rear edge until it seats.

Inserting the fuel cell (Fig. 9)

Push up and pull the fuel cover to open. (Fig. 10)

Insert the fuel cell directing the jet nozzle of the metering valve toward the adaptor. (Fig. 11)

Insert the jet nozzle into the small hole of the adapter properly. (Fig. 12)

Put the fuel cover over the metering valve and push it down to latch.

Adjusting the nailing depth

⚠ CAUTION:

- Remove the fuel cell, the battery cartridge and nails before adjusting the depth of nailing. (Fig. 13)

To get shallower depth, turn the adjuster to right direction as shown in the figure. To get deeper depth, turn the adjuster to left direction.

Do not turn the adjuster too much, or the adjuster may get stuck.

Indication lamp

Color of the indication lamp means the followings.

Blinking green: Normal status

Blinking red: Need to recharge the battery cartridge

Lighting-up-red: Recharge the battery cartridge. Nailing cannot be performed due to no remaining battery capacity.

Blinking orange: Thoroughly cleaning is recommended. Refer to the section "MAINTENANCE" to clean inside of the tool thoroughly. To reset the orange blinking of the indicator lamp, push the contact element for five seconds, and then push the contact element five times.

Blinking orange after blinking green and red

alternately: Fault detection is running. Remove and reinsert the battery cartridge to reset. If fault detection is running again, it is malfunction condition. Ask your local Makita service center to repair it.

Hook

⚠ CAUTION:

Always remove the battery when hanging the tool. Do not hang the tool to your belt. (Fig. 14)

The hook is convenient for hanging the tool temporarily. The hook can be set in two positions according to where the tool will be hung.

To change the hook position, push its feet in from both sides and shift to another position.

ASSEMBLY

⚠ CAUTION:

- Always remove the fuel cell and the battery cartridge before carrying out any work on the tool.

Loading the nailer (Fig. 15)

Insert a strip of nails into the slit in the rear of the magazine. The nails stop at the entrance of the magazine because of the nail stopper. Unlock the magazine by pressing the button of the nail stopper to insert the nails. (Fig. 16)

Pull the pusher lever with pressing the pusher button all the way to the rear of the magazine. Then release the pusher button, and return the pusher lever to the end of the strip gently.

Removing nails (Fig. 17)

Pull the pusher lever and push the pusher button to release the nail supporter, and then return the pusher lever to the top with pushing the pusher button.

Slide the nails toward the rear of the magazine. The nails stop at the entrance of the magazine because of the nail stopper. Unlock the magazine by pressing the button of the nail stopper to remove the nails.

Changing the magazine (optional accessory) (Fig. 18)

A magazine with different length is available as optional accessory.

To change the magazine, loosen the bolt and remove the magazine. Then install the new magazine. And fasten the bolt on the magazine.

OPERATION

⚠ WARNING:

- **Do not touch around the exhaust vent.** The surface will be very hot during or after an operation. Touching around the exhaust vent may cause burns or injuries.

⚠ CAUTION:

- Make sure all safety systems are in working order before operation. (Fig. 19)

1. To drive a nail, place the contact element against the workpiece.

The fan motor is activated, fuel gas is injected into combustion chamber and mixed with air by the fan. (Fig. 20)

2. Hold the contact element pressing firmly and pull the trigger.

Fuel gas is combusted and the nail is driven.

- Further driving can be initiated only after both the contact element and the trigger are released.

Nail-driving of concrete

WARNING:

- Use hardened nails only for concrete. Using other purposed nails may cause serious injuries. Do not nail directly on the concrete. Failure to do so may cause concrete fragments to fly off or nails to strike back, causing serious injuries.
- When driving nails, hold the tool so that it stands upright to the driving surface. Slanted nail-driving may cause concrete fragments to fly off or nails to strike back, causing serious injuries.
- Do not use the tool on the surface that objects hang from, such as area where hangers for sewer pipe, dust pipe etc. are set up.

Choose and use appropriate nails so that the penetration amount into concrete ranges 15 mm - 20 mm. (Fig. 21)

CAUTION:

- Use this tool only for soft concrete built up not so long before. Using on the hard concrete may cause nail bending or nail-driving to insufficient depth.
- When the penetration amount into concrete is required more than 20 mm, driving nails to the sufficient length may not be obtained. Nails may be driven too shallow causing unstable workpiece, resulting in personal injury and damage to property.

Anti dry fire mechanism

This mechanism prevents the tool from firing without nail. Dry fire prevention automatically functions when the rest of nails get to the last 2-3 pieces.

Jammed nailer

WARNING:

- Always be sure to remove the fuel cell and the battery cartridge before clearing a jam.

CAUTION:

- Do not use deformed nails or nail strip. Failure to do so causes poor nail feeding.

Follow the removing nail procedure and remove the jammed nails. (Fig. 22)

Remove the fuel cell, the battery cartridge and nails. Loosen the bolt on the magazine. Remove the magazine and remove the jammed nails. (Fig. 23)

If the nails cannot be removed after performing above method, do as follows.

Insert a small rod or the like into the ejection port and tap it with a hammer to drive out the jammed nails from the ejection port. (Fig. 24 & 25)

If the nails still remain in the ejection port, do as follows. Loosen the bolts on the ejecting port by using a hex wrench. Remove the under driver guide. And remove the jammed nails.

Return the under driver guide and tighten the bolts after the jammed nails are removed.

Return the magazine and tighten the bolt.

MAINTENANCE

CAUTION:

- Always remove the fuel cell, the battery cartridge and nails before attempting to perform inspection or maintenance.
- Never use gasoline, benzine, thinner, alcohol or the like. Discoloration, deformation or cracks may result.

Maintenance after daily work

At the end of daily work, conduct an end-of-workday routine.

These simple steps are based on maintaining the safety and performance of the tool.

Before leaving the work site:

- Remove the battery cartridge and store in a tool-carrying case. Always use the tool-carrying case for transporting and storing the tool.
- Dispose of all empty cells where they will not be found by children, crushed, punctured or burned.

When you get home:

- Place the battery cartridge in its charger if it needs charging as indicated by the red indication lamp.
- Wipe the tool with a clean, soft cloth.
- Check the filter and clean if it is dusty.

Cleaning the air filter (Fig. 26 & 27)

Press slightly up the filter cover and remove it. And then simply lift out the filter.

Tap the filter lightly to remove any dust. Soap and water restores the filter to an almost new condition. To maintain product SAFETY and RELIABILITY, repairs, any other maintenance or adjustment should be performed by Makita Authorized Service Centers, always using Makita replacement parts.

Thoroughly cleaning

If dry fires occur frequently, which means the tool is needed to be cleansed thoroughly.

See the accompanying cleaning guide for detail, and perform the cleaning.

If you have any questions regarding to cleaning, please ask your local Makita Service Center.

OPTIONAL ACCESSORIES

CAUTION:

- These accessories or attachments are recommended for use with your Makita tool specified in this manual. The use of any other accessories or attachments might present a risk of injury to persons. Only use accessory or attachment for its stated purpose.

If you need any assistance for more details regarding these accessories, ask your local Makita Service Center.

- Nails
- Magazine
- Safety goggles
- Fuel cell
- Cleaning kit
- Makita genuine battery and charger

NOTE:

- Some items in the list may be included in the tool package as standard accessories. They may differ from country to country.

Noise ENG905-1

The typical A-weighted noise level determined according to EN792:

Sound pressure level (L_{pA}) : 89 dB (A)

Sound power level (L_{WA}) : 102 dB (A)

Uncertainty (K) : 3 dB (A)

Wear ear protection

Vibration ENG904-2

The vibration total value determined according to EN792:

Vibration emission (a_h) : 3.5 m/s²

Uncertainty (K) : 1.5 m/s²

ENG901-1

- The declared vibration emission value has been measured in accordance with the standard test method and may be used for comparing one tool with another.
- The declared vibration emission value may also be used in a preliminary assessment of exposure.

⚠ WARNING:

- The vibration emission during actual use of the power tool can differ from the declared emission value depending on the ways in which the tool is used.
- Be sure to identify safety measures to protect the operator that are based on an estimation of exposure in the actual conditions of use (taking account of all parts of the operating cycle such as the times when the tool is switched off and when it is running idle in addition to the trigger time).

For European countries only ENH003-14

EC Declaration of Conformity

We Makita Corporation as the responsible manufacturer declare that the following Makita machine(s):

Designation of Machine:

Cordless Concrete Nailer

Model No./ Type: GN420C

are of series production and

Conforms to the following European Directives:

2006/42/EC

And are manufactured in accordance with the following standards or standardised documents:

EN792, EN60745

The technical documentation is kept by:

Makita International Europe Ltd.

Technical Department,

Michigan Drive, Tongwell,

Milton Keynes, Bucks MK15 8JD, England

29. 03. 2012



Tomoyasu Kato

Director

Makita Corporation

3-11-8, Sumiyoshi-cho,

Anjo, Aichi, 446-8502, JAPAN

FRANÇAIS (Instructions d'origine)

Descriptif

1. Lunettes de sécurité	9. Sortie d'air	18. Bague de réglage
2. Visière	10. Lampe	19. Crochet
3. Capuchon du réservoir de carburant	11. Voyant lumineux	20. Butée des clous
4. Gâchette	12. Batterie	21. Boulon
5. Magasin	13. Bouton	22. Plaque en acier mince
6. Levier poussoir	14. Bouton de lampe	23. Degré de pénétration dans le béton
7. Bouton-poussoir	15. Soupape de dosage	24. Guide d'entraînement inférieur
8. Dispositif de contact	16. Coiffe	25. Couverture du filtre
	17. Tuyère d'éjection	26. Filtre

SPÉCIFICATIONS

Modèle	GN420C	
Capacité de clouage	20 clous (2 bandes)	40 clous (4 bandes)
Dimensions (L x P x H)	315 mm x 108 mm x 390 mm	430 mm x 108 mm x 390 mm
Poids net	3,6 kg	3,8 kg
Longueur des clous x diamètre de la tige	Longueur des clous : 15 mm à 40 mm, diamètre de la tige : 2,6 mm à 3,1 mm	
Tension nominale	7,2 V C.C.	

- Étant donné l'évolution constante de notre programme de recherche et de développement, les spécifications contenues dans ce manuel sont sujettes à des modifications sans préavis.
- Les spécifications et la batterie peuvent varier d'un pays à l'autre.
- Poids, batterie incluse, selon la procédure EPTA 01/2003

Symboles

END107-7

Les symboles utilisés pour l'appareil sont indiqués ci-dessous. Assurez-vous d'avoir bien compris leur signification avant d'utiliser l'appareil.



... Reportez-vous au manuel d'instructions.



..... Récipient sous pression, éloignez-le des températures supérieures à 50°C (par ex., les rayons du soleil). Conservez le récipient dans un lieu bien ventilé.



..... Utilisez ce produit uniquement en extérieur ou dans des pièces bien ventilées. Ne respirez pas les gaz.



..... N'utilisez pas le produit près de flammes ou d'aérosols sur des surfaces chaudes, au risque de provoquer un mélange d'air et de vapeurs inflammable/explosif.



..... N'endommagez pas, ne percez pas et ne brûlez pas le produit, même après usage.



..... Portez des lunettes de sécurité.



..... Pour éviter tout déclenchement accidentel, éloignez les doigts de la gâchette lorsque vous n'insérez pas de clous.



..... Utilisez l'outil uniquement dans des zones ventilées pour éviter tout risque de nausées et de perte de connaissance. N'utilisez jamais l'outil dans des

atmosphères combustibles.

L'échappement de l'outil peut entraîner la combustion de matériaux inflammables.



..... N'utilisez pas l'outil sur un échafaudage ou une échelle.



..... Avertissement : surface chaude ! Ne touchez pas les surfaces sur lesquelles figure ce symbole. Vous risqueriez de vous brûler ou de vous blesser.



..... Pour les pays européens uniquement Ne pas jeter les appareils électriques et les bloc-batteries dans les ordures ménagères ! Conformément aux directives européennes relatives aux déchets d'équipements électriques ou électroniques (DEEE) ainsi qu'aux batteries, aux accumulateurs et aux batteries et accumulateurs usagés et à leur transposition dans la législation nationale, les appareils électriques, les batteries et les bloc-batteries doivent être collectés à part et être soumis à un recyclage respectueux de l'environnement.

Utilisations

ENE072-1

Cet outil permet de fixer une plaque en acier mince dans le béton.

Consignes de sécurité générales des outils électriques

GEA010-1

⚠ AVERTISSEMENT Veuillez lire toutes les consignes de sécurité et les instructions. Il y a un risque de choc électrique, d'incendie et/ou de blessure grave si les consignes et les instructions ne sont pas toutes respectées.

Conservez toutes les consignes et instructions pour référence ultérieure.

Consignes de sécurité concernant le cloueur/l'agrafeuse sans fil

ENB111-4

⚠ AVERTISSEMENT Veuillez lire toutes les consignes de sécurité et les instructions. Il y a un risque de blessure grave, de choc électrique et/ou d'incendie si les consignes et les instructions ne sont pas toutes respectées.

Conservez toutes les consignes et instructions pour référence ultérieure.

Pour votre propre sécurité et pour assurer le bon fonctionnement et la maintenance de l'outil, veuillez lire ce manuel d'instructions avant d'utiliser l'outil.

Sécurité générale

- Seules les personnes ayant pris connaissance du fonctionnement de l'outil doivent être autorisées à l'utiliser.
- Évitez tout chahut. Respectez votre outil en tant qu'instrument de travail.
- N'utilisez pas l'outil si vous avez consommé de l'alcool, de la drogue ou des médicaments, etc.
- Ne modifiez jamais l'outil.

Équipements de protection individuelle

- Portez toujours des lunettes de sécurité pour protéger vos yeux du contact de la poussière ou d'un clou.

⚠ AVERTISSEMENT : L'employeur a la responsabilité d'imposer le port d'un dispositif de protection des yeux aux utilisateurs de l'outil et à toute personne présente dans la zone de travail immédiate. **Pour l'Australie et la Nouvelle-Zélande uniquement** Portez toujours des lunettes de sécurité et une visière pour protéger vos yeux du contact de la poussière ou d'un clou. Les lunettes de sécurité et la visière doivent être conformes aux exigences de la norme AS/NZS 1336. (Fig. 1)

- Portez une protection auditive pour protéger vos oreilles du bruit de l'échappement et portez un casque de sécurité. Portez également des vêtements légers mais non amples. Veuillez boutonner ou rouler vos manches. Ne portez pas de cravate.

Sécurité de l'aire de travail

- N'utilisez jamais l'outil dans des espaces confinés ou mal ventilés. Le monoxyde de carbone pourrait entraîner des vertiges, des nausées ou une perte de connaissance.

- Gardez le lieu de travail propre et bien éclairé. Des zones sombres ou encombrées peuvent entraîner des accidents.
- N'utilisez pas l'outil dans les atmosphères explosives, par exemple en présence de liquides, gaz ou poussières inflammables. Le fonctionnement de l'outil peut produire des étincelles au contact desquelles la poussière ou les vapeurs peuvent s'enflammer.
- Assurez-vous qu'aucun enfant ou passant ne s'approche pendant que vous utilisez l'outil. Il y a un risque de perte de contrôle de l'outil si votre attention est détournée.
- Éclairiez suffisamment la zone de travail.
- Il se peut que des réglementations locales s'appliquent concernant les niveaux de bruit autorisés. Veuillez les respecter. Dans certains cas, des volets doivent être installés pour réduire le bruit.

Dispositifs de sécurité

- Assurez-vous que tous les dispositifs de sécurité sont en état de fonctionner avant d'utiliser l'outil. L'outil ne doit pas être activé si vous appuyez uniquement sur la gâchette ou si vous appuyez simplement le dispositif de contact contre le bois. Il ne doit s'activer que lorsque ces deux actions sont exécutées. Recherchez un éventuel dysfonctionnement en effectuant un test avec des clous non chargés et le poussoir en position entièrement tiré.
- Ne jouez pas avec le dispositif de contact : il empêche les décharges accidentelles, donc il doit être gardé activé et ne pas être désactivé. Il est également très dangereux de fixer la gâchette en position de marche. Ne tentez jamais d'immobiliser la gâchette. N'utilisez jamais un outil dont l'une des commandes est inutilisable, déconnectée, modifiée ou ne fonctionne pas correctement.
- N'essayez pas de garder le dispositif de contact enfoncé à l'aide de ruban ou de fil. Il y a un risque de décès ou de blessure grave.
- Vérifiez toujours le dispositif de contact comme indiqué dans le présent manuel. Vous risquez de procéder accidentellement au clouage si le mécanisme de sécurité ne fonctionne pas correctement.

Chargement de clous

- Ne mettez jamais de clous dans l'outil alors que l'une de ses commandes est activée.
- N'utilisez que les clous spécifiés dans ce manuel. L'outil risque de mal fonctionner si vous utilisez tout autre type de clou.

Source d'alimentation

- Utilisez l'outil uniquement avec la pile combustible Makita d'origine.
- Ne touchez pas le gaz liquide pulvérisé par la pile combustible. Le contact avec ce gaz pourrait entraîner des blessures.
- Risque d'incendie et d'explosion. Lors de la manipulation de la pile combustible à des fins de stockage, de transport, d'insertion dans l'outil et de retrait de l'outil :
 - n'exposez pas l'outil aux rayons du soleil et aux températures supérieures à 50°C (122°F) ;
 - ne fumez pas ;
 - évitez les étincelles et les flammes nues.

- Retirez toujours la batterie et tous les clous :
 - lorsque l'outil est laissé sans surveillance ;
 - avant d'effectuer tout travail de maintenance ou de réparation sur l'outil ;
 - avant de remédier à un blocage ;
 - avant de déplacer l'outil dans un autre lieu.

Sécurité lors du fonctionnement

- Avant d'utiliser l'outil, assurez-vous qu'il est en bon état et qu'aucune de ses vis n'est desserrée. Le cas échéant, serrez les vis.
- Manipulez l'outil prudemment, car la pression élevée à l'intérieur de celui-ci représente un danger si une fissure est provoquée par une manipulation brusque (si vous échappez ou heurtez l'outil). Ne tentez jamais de tailler ou graver une inscription sur l'outil.
- Cessez immédiatement de vous en servir si vous notez une anomalie ou un fonctionnement inhabituel de l'outil. Tout outil défectueux ne doit pas être utilisé.
- Ne pointez jamais la sortie d'éjection vers une personne située à proximité. Gardez les mains et les pieds à l'écart de la zone de la sortie d'éjection.
- Gardez toujours à l'esprit que l'outil contient des clous.
- L'outil ne doit jamais être pointé vers vous-même ou vers une autre personne, qu'il contienne ou non des clous.
- Ne faites pas fonctionner l'outil à une vitesse excessive et ne le forcez pas. Manipulez l'outil avec précaution.
- Ne mettez pas l'outil en marche avant qu'il ne soit fermement placé sur la pièce à travailler.
- Ne portez et ne transportez pas l'outil et ne le donnez pas à quelqu'un en laissant le doigt sur la gâchette. Un déclenchement accidentel peut provoquer des blessures graves.
- N'utilisez jamais les cloueurs qui portent le symbole « Ne pas utiliser sur des échafaudages ou échelles » pour des travaux spécifiques, comme par exemple :
 - lorsque la modification de la position de clouage implique l'utilisation d'un échafaudage, d'un escalier, d'une échelle, etc., pour clouer des lattes de toit, par exemple ;
 - fermer des boîtes ou des caisses ;
 - installer des dispositifs de sécurité pour le transport, par exemple sur des véhicules ou des wagons.
- Pour éviter tout risque de choc électrique, de fuite de gaz, d'explosion, etc., provoqué(e) par le contact avec des fils dénudés, des conduites ou des tuyaux de gaz, vérifiez les murs, les plafonds, le plancher, le toit, etc.
- N'utilisez pas l'outil pour fixer des câbles électriques. Il n'est pas conçu pour l'installation de câbles électriques et risque d'endommager leur isolation, et par conséquent, d'augmenter les risques de choc électrique ou d'incendie.
- Regardez où vous posez les pieds et assurez-vous d'un bon équilibre pendant l'utilisation de l'outil. Assurez-vous que personne ne se trouve au-dessous de vous lorsque vous travaillez dans un endroit élevé afin d'éviter tout risque en cas de secousse ou de coincement.
- Sur les toits et autres endroits élevés, clouez en vous déplaçant vers l'avant. Vous pouvez facilement perdre pied si vous clouez en vous déplaçant à reculons. Lorsque vous insérez des clous sur une surface

verticale, faites-le du haut vers le bas. De cette façon le travail de clouage sera moins exigeant physiquement.

- Le clou risque de se plier ou l'outil de se bloquer si vous insérez un clou par inadvertance sur un autre clou ou heurtez un nœud du bois. Le clou risque alors d'être projeté et de frapper quelqu'un, ou bien l'outil lui-même risque de réagir de manière dangereuse. Choisissez l'emplacement des clous avec soin.
- N'essayez jamais d'insérer des clous simultanément à l'intérieur et à l'extérieur d'une pièce. Cela est très dangereux, car les clous risquent alors de défoncer la pièce et/ou d'être projetés.

Entretien

- Procédez au nettoyage et à la maintenance de l'outil une fois le travail terminé. Maintenez l'outil en excellente condition. Lubrifiez les pièces mobiles pour éviter qu'elles ne rouillent et pour limiter l'usure liée à la friction. Retirez toute poussière déposée sur les pièces.
- Confiez régulièrement l'outil à un centre de service après-vente agréé Makita pour le faire inspecter.
- Pour maintenir la SÉCURITÉ et la FIABILITÉ de l'outil, sa maintenance et ses réparations doivent être effectuées dans un centre de service après-vente agréé Makita, exclusivement avec des pièces de rechange Makita.

CONSERVEZ CES INSTRUCTIONS.



AVERTISSEMENT :

NE vous laissez PAS tromper (au fil d'une utilisation répétée) par un sentiment d'aisance et de familiarité avec le produit, en négligeant le respect rigoureux des consignes de sécurité qui accompagnent l'outil. Une UTILISATION INCORRECTE de l'outil ou un non-respect des consignes de sécurité indiquées dans ce manuel d'instructions peuvent causer des blessures graves.

CONSIGNES DE SÉCURITÉ IMPORTANTES

ENC009-1

POUR LA BATTERIE

1. Avant d'utiliser la batterie, veuillez lire toutes les instructions et tous les avertissements inscrits sur (1) le chargeur, (2) la batterie et (3) l'appareil alimenté par la batterie.
2. Ne démontez pas la batterie.
3. Cessez immédiatement d'utiliser l'outil si le temps de fonctionnement devient excessivement court. Il y a un risque de surchauffe, de brûlures, voire d'explosion.
4. Si l'électrolyte pénètre dans vos yeux, rincez-les à l'eau claire et consultez immédiatement un médecin. Il y a un risque de perte de la vue.
5. Ne court-circuitez pas la batterie :
 - (1) Ne touchez les bornes avec aucun matériau conducteur.
 - (2) Évitez de ranger la batterie dans un contenant où se trouvent d'autres objets métalliques tels que des clous, pièces de monnaie, etc.

(3) **N'exposez pas la batterie à l'eau ou à la pluie. Un court-circuit de la batterie risque de provoquer un fort courant, une surchauffe, parfois des brûlures et même une panne.**

6. **Ne rangez pas l'outil ou la batterie dans des endroits où la température risque d'atteindre ou de dépasser 50°C (122°F).**
7. **Ne jetez pas la batterie au feu même si elle est sérieusement endommagée ou complètement épuisée. La batterie peut exploser au contact du feu.**
8. **Veillez à ne pas laisser tomber ou heurter la batterie.**
9. **N'utilisez pas de batterie endommagée.**

CONSERVEZ CES INSTRUCTIONS.

Conseils pour garantir une durée de vie optimale de la batterie

1. **Rechargez la batterie avant qu'elle ne soit complètement épuisée. Arrêtez toujours l'outil et rechargez la batterie lorsque vous constatez que la puissance de l'outil diminue.**
2. **Ne rechargez jamais une batterie complètement chargée. La surcharge réduit la durée de service de la batterie.**
3. **Chargez la batterie lorsque la température de la pièce est comprise entre 10°C et 40°C (50°F et 104°F). Si une batterie est chaude, laissez-la refroidir avant de la charger.**

Vue d'ensemble du cloueur (Fig. 2)

DESCRIPTION DU FONCTIONNEMENT

⚠ ATTENTION :

- Veillez toujours à retirer la pile combustible, la batterie et les clous avant d'utiliser la fonction de réglage ou de contrôle de l'outil.

Installation ou retrait de la batterie

⚠ ATTENTION :

- Éteignez toujours l'outil avant d'installer ou de déposer la batterie.
- **Tenez fermement l'outil et la batterie lors de l'installation ou du retrait de la batterie.** Si vous ne tenez pas fermement l'outil et la batterie, ils risquent de glisser et de s'abîmer ou de vous blesser. (Fig. 3)

Pour installer la batterie, tenez-la de sorte que la forme de la partie avant de la batterie s'ajuste à celle de l'ouverture aménagée de la batterie et faites-la glisser en position. Insérez-la bien à fond, jusqu'à ce qu'elle se verrouille en émettant un léger clic. (Fig. 4)

Pour déposer la batterie, retirez-la de l'outil en appuyant sur les deux côtés de la batterie.

⚠ ATTENTION :

- Insérez toujours la batterie bien à fond, jusqu'à ce qu'elle se verrouille en place. Sinon, elle risque de tomber accidentellement de l'outil, en vous blessant ou en blessant une personne située près de vous.
- Ne forcez pas pour installer la batterie. Si la batterie ne glisse pas aisément, c'est qu'elle n'est pas insérée correctement.

Allumage de la lampe

⚠ ATTENTION :

- Ne regardez pas directement la lumière ou la source lumineuse. (Fig. 5)
- Pour allumer la lampe, appuyez sur le bouton de celle-ci. Pour éteindre la lampe, appuyez à nouveau sur le bouton de celle-ci.

Pile combustible

Fixation de la soupape de dosage à la pile combustible (Fig. 6)

Détachez la coiffe (si la soupape de dosage est fournie avec une coiffe). (Fig. 7)

Appuyez sur le bord avant. (Fig. 8)

Appuyez sur le bord arrière jusqu'à ce qu'il se mette en place.

Insertion de la pile combustible (Fig. 9)

Soulevez et tirez sur le capuchon du réservoir de carburant pour l'ouvrir. (Fig. 10)

Insérez la pile combustible en orientant la tuyère d'éjection de la soupape de dosage vers l'adaptateur. (Fig. 11)

Insérez correctement la tuyère d'éjection dans le petit orifice de l'adaptateur. (Fig. 12)

Placez le capuchon du réservoir de carburant sur la soupape de dosage et enfoncez-le complètement pour qu'il s'enclenche.

Réglage de la profondeur de clouage

⚠ ATTENTION :

- Retirez la pile combustible, la batterie et les clous avant de régler la profondeur du clouage. (Fig. 13) Pour réduire la profondeur, tournez la bague de réglage vers la droite, comme indiqué sur la figure. Pour augmenter la profondeur, tournez la bague de réglage vers la gauche. Ne tournez pas trop la bague de réglage, au risque qu'elle se bloque.

Voyant lumineux

Signification de la couleur du voyant lumineux :

Vert clignotant : état normal

Rouge clignotant : la batterie doit être rechargée

Rouge : rechargez la batterie. Il n'est pas possible de procéder au clouage car la batterie est déchargée.

Orange clignotant : un nettoyage en profondeur est recommandé. Reportez-vous à la section « ENTRETIEN » pour nettoyer l'intérieur de l'outil en profondeur. Pour que le voyant lumineux orange cesse de clignoter, appuyez sur le dispositif de contact pendant cinq secondes, puis appuyez cinq fois sur le dispositif de contact.

Orange clignotant après vert et rouge clignotant en alternance : la détection des pannes est activée. Retirez et réinsérez la batterie pour réinitialiser l'outil. Si la détection des pannes se déclenche à nouveau, il s'agit d'un dysfonctionnement. Demandez à votre centre de service Makita le plus proche de le corriger.

Crochet

ATTENTION :

Retirez toujours la batterie lorsque vous suspendez l'outil. Ne suspendez pas l'outil à votre ceinture. (Fig. 14)
Le crochet est pratique pour suspendre l'outil temporairement.

Le crochet peut être réglé selon deux positions en fonction de l'endroit où l'outil sera suspendu. Pour modifier la position du crochet, repliez ses pieds en appuyant dessus depuis les deux côtés et changez sa position.

ASSEMBLAGE

ATTENTION :

- Retirez toujours la pile combustible et la batterie avant d'intervenir sur l'outil.

Chargement du cloueur (Fig. 15)

Insérez une bande de clous dans la fente à l'arrière du magasin. En raison de la butée des clous, les clous s'arrêtent à l'entrée du magasin. Pour déverrouiller le magasin afin d'insérer les clous, appuyez sur le bouton de la butée des clous. (Fig. 16)

Tirez sur le levier poussoir tout en appuyant à fond sur le bouton-poussoir à l'arrière du magasin. Relâchez ensuite le bouton-poussoir et remplacez avec précaution le levier poussoir à l'extrémité de la bande.

Retrait des clous (Fig. 17)

Tirez sur le levier poussoir et appuyez sur le bouton-poussoir pour libérer le support du cloueur, puis laissez le levier poussoir revenir dans la partie supérieure en appuyant sur le bouton-poussoir.

Faites glisser les clous vers l'arrière du magasin. En raison de la butée des clous, les clous s'arrêtent à l'entrée du magasin. Pour déverrouiller le magasin afin de retirer les clous, appuyez sur le bouton de la butée des clous.

Remplacement du magasin (accessoire en option) (Fig. 18)

Un magasin de différentes longueurs est disponible comme accessoire en option. Pour remplacer le magasin, dévissez le boulon et retirez le magasin. Ensuite, installez le nouveau magasin. Puis serrez le boulon sur le magasin.

FONCTIONNEMENT

AVERTISSEMENT :

Ne touchez pas la surface située autour de la sortie d'air. Elle est très chaude pendant et après l'utilisation de l'appareil.

Si vous touchez la surface située autour de la sortie d'air, vous risquez de vous brûler ou de vous blesser.

ATTENTION :

- Assurez-vous que tous les dispositifs de sécurité sont en état de fonctionner avant d'utiliser l'outil. (Fig. 19)
- Pour insérer un clou, placez le dispositif de contact contre la pièce à travailler.

Le moteur du ventilateur est activé, le gaz de chauffe est injecté dans la chambre de combustion et mélangé à l'air par le ventilateur. (Fig. 20)

- Appuyez fermement sur le dispositif de contact et tirez sur la gâchette.

Le gaz de chauffe est brûlé et le clou est enfoncé.

- Vous pouvez y enfoncer davantage uniquement après avoir relâché le dispositif de contact et la gâchette.

Clouage dans du béton

AVERTISSEMENT :

- Utilisez des clous durcis uniquement pour le béton. L'utilisation d'autres clous risque de provoquer des blessures graves. Ne clouez pas directement sur le béton. Des fragments de béton risqueraient alors de voler en éclat ou les clous de rebondir, entraînant des blessures graves.
- Lors du clouage, tenez l'outil de sorte qu'il soit positionné à la verticale sur la surface de clouage. En cas d'inclinaison de l'outil lors du clouage, des fragments de béton risquent de voler en éclat ou les clous de rebondir, entraînant des blessures graves.
- N'utilisez pas l'outil sur des surfaces auxquelles sont suspendus des objets, par exemple des supports pour tuyaux d'évacuation, des conduites à poussière, etc. Choisissez et utilisez des clous pouvant être enfoncés de 15 mm à 20 mm dans le béton. (Fig. 21)

ATTENTION :

- Utilisez cet outil uniquement pour le béton souple récemment réalisé. L'utilisation dans du béton dur risque de faire plier les clous ou de ne pas permettre un enfoncement suffisant.
- Si le degré de pénétration requis dans le béton est supérieur à 20 mm, vous risquez de ne pas pouvoir enfoncer suffisamment les clous. Les clous risquent d'être enfoncés trop peu profondément, entraînant l'instabilité de la pièce à travailler et provoquant des blessures corporelles et des dommages matériels.

Mécanisme de déclenchement antiscicatif

Ce mécanisme empêche le déclenchement de l'outil lorsqu'il ne contient pas de clou.

La prévention antiscicative fonctionne lorsqu'il reste entre 2 et 3 clous.

Cloueur bloqué

AVERTISSEMENT :

- Veillez toujours à retirer la pile combustible et la batterie avant de débloquer un cloueur.

ATTENTION :

- N'utilisez pas les clous ou bandes de clous déformés. L'alimentation en clous risquerait d'être médiocre. Suivez la procédure de retrait des clous et retirez les clous coincés. (Fig. 22)
Retirez la pile combustible, la batterie et les clous. Desserrez le boulon sur le magasin. Retirez le magasin ainsi que les clous coincés. (Fig. 23)

Si vous ne parvenez pas à retirer les clous après avoir exécuté la méthode précédente, procédez comme suit. Insérez une petite tige ou autre similaire dans le port d'éjection et tapez-la avec un marteau pour sortir les clous bloqués du port d'éjection. (Fig. 24 et 25)

Si les clous restent dans le port d'éjection, procédez comme suit.

Desserrez les boulons sur le port d'éjection à l'aide d'une clé hexagonale. Retirez le guide d'entraînement inférieur. Retirez également les clous coincés.

Retournez le guide d'entraîneur inférieur et serrez les boulons après avoir retiré les clous coincés.

Retournez le magasin et serrez le boulon.

ENTRETIEN

ATTENTION :

- Retirez toujours la pile combustible, la batterie et les clous avant de tenter de procéder au contrôle ou à la maintenance de l'outil.
- N'utilisez jamais d'essence, de benzine, de diluant, d'alcool ou de produit similaire. Ces produits risquent de provoquer des décolorations, des déformations ou des fissures.

Maintenance suite au travail effectué

Une fois le travail terminé, procédez aux tâches habituelles.

L'objectif de ces étapes simples est de garantir la sécurité et les performances de l'outil.

Avant de quitter le lieu dans lequel vous travaillez :

- Retirez la batterie et rangez-la dans la valise de transport de l'outil. Utilisez toujours la valise de transport de l'outil pour transporter et ranger l'outil.
- Débarrassez-vous de toutes les piles usagées, de sorte qu'elles ne soient pas découvertes par des enfants, écrasées, perforées ou brûlées.

Lorsque vous rentrez chez vous :

- Si la batterie doit être rechargée, comme indiqué par le témoin rouge, placez-la dans son chargeur.
- Essuyez l'outil avec un chiffon propre et doux.
- Vérifiez le filtre et nettoyez-le s'il est poussiéreux.

Nettoyage du filtre à air (Fig. 26 et 27)

Appuyez légèrement sur le couvercle du filtre et retirez-le. Soulevez ensuite simplement le filtre.

Tapez légèrement sur le filtre pour en retirer la poussière. Utilisez du savon et de l'eau pour redonner son éclat au filtre.

Pour garantir la SÉCURITÉ et la FIABILITÉ du produit, les réparations ainsi que tout autre travail d'entretien ou de réglage doivent être effectués dans un centre d'entretien Makita agréé, exclusivement avec des pièces de rechange Makita.

Nettoyage en profondeur

En cas de tirs à vide fréquents, l'outil doit être nettoyé en profondeur.

Pour plus de détails, consultez le guide de nettoyage qui accompagne l'outil et procédez au nettoyage.

Pour toute question relative au nettoyage, contactez votre centre de service Makita le plus proche.

ACCESSOIRES FOURNIS EN OPTION

ATTENTION :

- Ces accessoires ou pièces complémentaires sont recommandés pour être utilisés avec l'outil Makita spécifié dans ce mode d'emploi. L'utilisation de tout autre accessoire ou pièce complémentaire peut comporter un risque de blessure. N'utilisez les accessoires ou pièces qu'aux fins auxquelles ils ont été conçus.

Pour obtenir plus de détails sur ces accessoires, contactez votre Centre de service local Makita.

- Clous
- Magasin
- Lunettes de sécurité
- Pile combustible
- Kit de nettoyage
- Batterie et chargeur Makita authentiques

REMARQUE :

- Certains éléments de la liste peuvent être inclus en tant qu'accessoires standard dans le coffret de l'outil envoyé. Ils peuvent varier suivant les pays.

Bruit

ENG905-1

Le niveau de bruit pondéré A typique a été mesuré selon la norme EN792 :

Niveau de pression sonore (L_{pA}) : 89 dB (A)

Niveau de puissance sonore (L_{WA}) : 102 dB (A)

Incertitude (K) : 3 dB (A)

Portez des protections auditives

Vibrations

ENG904-2

La valeur totale des vibrations a été mesurée selon la norme EN792 :

Émission des vibrations (a_{h1}) : 3,5 m/s²

Incertitude (K) : 1,5 m/s²

ENG901-1

- La valeur de l'émission des vibrations déclarée a été mesurée conformément à la méthode de test standard et peut être utilisée afin de comparer des outils entre eux.
- La valeur de l'émission des vibrations déclarée peut également être utilisée lors d'une évaluation préliminaire de l'exposition.

AVERTISSEMENT :

- Selon la manière dont l'outil est utilisé, il est possible que l'émission des vibrations pendant l'utilisation réelle de l'outil électrique diffère de la valeur de l'émission déclarée.
- Veillez à identifier les mesures de sécurité destinées à protéger l'opérateur et établies en fonction de l'estimation de l'exposition dans les conditions réelles d'utilisation (en prenant en compte toutes les étapes du cycle de fonctionnement, telles que les périodes de mise hors tension de l'outil, les périodes de fonctionnement au ralenti et les périodes de mise en route).

Pour les pays d'Europe uniquement ENH003-14

Déclaration de conformité CE

Nous, Makita Corporation, en tant que fabricant responsable, déclarons que la ou les machines

Makita suivantes :

Nom de la machine :

Cloueur à gaz pour béton

N° de modèle/Type : GN420C

sont fabriquées en série et

sont conformes aux directives européennes

suivantes :

2006/42/CE

et sont produites conformément aux normes ou documents de normalisation suivants :

EN792, EN60745

La documentation technique est disponible auprès de :

Makita International Europe Ltd.

Technical Department,

Michigan Drive, Tongwell,

Milton Keynes, Bucks MK15 8JD, Angleterre

29. 03. 2012



Tomoyasu Kato

Directeur

Makita Corporation

3-11-8, Sumiyoshi-cho,

Anjo, Aichi, 446-8502, JAPAN

DEUTSCH (Originalanweisungen)

Erklärung der Gesamtdarstellung

- | | | |
|------------------------|------------------|--------------------------------|
| 1. Schutzbrille | 10. Lampe | 19. Haken |
| 2. Gesichtsschutz | 11. Anzeigelampe | 20. Nagelstopper |
| 3. Kraftstoffabdeckung | 12. Akkublock | 21. Schraube |
| 4. Auslöser | 13. Taste | 22. dünnes Blech |
| 5. Magazin | 14. Lampentaste | 23. Eindringtiefe in den Beton |
| 6. Druckhebel | 15. Dosierventil | 24. Untere Führungsplatte |
| 7. Drucktaste | 16. Kappe | 25. Filterkappe |
| 8. Kontaktfuß | 17. Strahldüse | 26. Filter |
| 9. Lüftungsschlitze | 18. Einsteller | |

TECHNISCHE DATEN


Modell	GN420C	
Max. Anzahl Nägel	20 Nägel (2 Streifen)	40 Nägel (4 Streifen)
Abmessungen (L x B x H)	315 mm x 108 mm x 390 mm	430 mm x 108 mm x 390 mm
Nettogewicht	3,6 kg	3,8 kg
Nagellänge X Schaftdurchmesser	Nagel L: 15 mm bis 40 mm, D: 2,6 mm bis 3,1 mm	
Nennspannung	7,2 V Gleichspannung	


- Aufgrund unserer beständigen Forschungen und Weiterentwicklungen sind Änderungen an den hier angegebenen Technischen Daten ohne Vorankündigung vorbehalten.
- Die Technischen Daten und der Akkublock können in den einzelnen Ländern Abweichungen aufweisen.
- Gewicht, mit Akkublock, ermittelt gemäß EPTA-Verfahren 01/2003


Symbole


END107-7


Im Folgenden sind die im Zusammenhang mit diesem Werkzeug verwendeten Symbole dargestellt. Machen Sie sich vor der Benutzung des Werkzeugs unbedingt mit diesen Symbolen vertraut!


 ... Lesen Sie die Betriebsanleitung!


 Behälter steht unter Druck. Setzen Sie den Behälter keinen Temperaturen über 50 °C (z. B. direkte Sonneneinstrahlung) aus. Lagern Sie den Behälter an einem gut belüfteten Ort.


 Verwenden Sie das Werkzeug nur im Freien oder in gut belüfteten Räumen. Atmen Sie das Gas nicht ein.

 Verwenden Sie in der Nähe weder Flammen noch Sprays auf erhitzten Flächen. Bei Nichtbeachtung kann sich ein brennbares bzw. explosives Dampf-Luft-Gemisch bilden.

 Auch nach Gebrauch nicht beschädigen, gewaltsam öffnen oder verbrennen.


 Tragen Sie eine Schutzbrille.


 Nehmen Sie Ihre Finger vom Auslöser, wenn Sie keine Nägel eintreiben, um ein versehentliches Auslösen zu vermeiden.

 Verwenden Sie das Werkzeug nur in belüfteten Bereichen, um Übelkeit und Bewusstlosigkeit zu vermeiden.

Verwenden Sie das Werkzeug niemals in Umgebungen mit brennbaren Materialien. Die Werkzeugabgase können die brennbaren Materialien entzünden.

 Nicht auf Gerüsten, Leitern verwenden!

 Warnung: Heiße Fläche! Bereich um dieses Symbol nicht berühren! Bei Berührung dieser Fläche kann es zu Verbrennungen oder Verletzungen kommen.

 ^{Cd}_{Ni-MH}
_{Li-ion} Nur für EU-Länder Entsorgen Sie Elektrowerkzeuge, Batterien und Akkus nicht über den Hausmüll! Gemäß der Europäischen Richtlinie über Elektro- und Elektronik- Altgeräte und über Batterien und Akkumulatoren sowie Altbatterien und Altakkumulatoren und ihrer Umsetzung in nationales Recht müssen verbrauchte Elektrowerkzeuge sowie Altbatterien und Altakkumulatoren getrennt gesammelt und einer umweltgerechten Wiederverwertung zugeführt werden.

Verwendungszweck

ENE072-1

Das Werkzeug wurde für das Sichern eines dünnen Blechs auf Beton entwickelt.

Allgemeine Sicherheitshinweise für Elektrowerkzeuge

GEA010-1

⚠️ WARNUNG Lesen Sie alle Sicherheitshinweise und Anweisungen sorgfältig durch. Wenn die Hinweise und Anweisungen nicht beachtet werden, besteht die Gefahr eines Stromschlags, Brands und/oder das Risiko von ernsthaften Verletzungen.

Bewahren Sie alle Hinweise und Anweisungen zur späteren Referenz gut auf.

Sicherheitshinweise für Akku-Nagler/-Tacker

ENB111-4

⚠️ WARNUNG Lesen Sie alle Sicherheitswarnungen und -anweisungen sorgfältig durch. Wenn die aufgeführten Warnhinweise und Anweisungen nicht beachtet werden, besteht die Gefahr eines Stromschlags, Brands und/oder die Gefahr schwerer Verletzungen.

Bewahren Sie alle Warnhinweise und Anweisungen zum späteren Nachschlagen gut auf.

Um Ihre persönliche Sicherheit, sachgerechten Betrieb und ordnungsgemäße Wartung des Werkzeugs zu gewährleisten, lesen Sie vor der Benutzung des Werkzeugs diese Bedienungsanleitung vollständig durch.

Allgemeine Sicherheit

- Personen, die nicht entsprechend geschult sind, ist die Benutzung des Werkzeugs ausdrücklich zu untersagen.
- Dieses Werkzeug ist kein Spielzeug! Sehen Sie das Werkzeug als Hilfsmittel für Ihre Arbeit an.
- Benutzen Sie das Werkzeug nicht, wenn Sie unter Einfluss von Alkohol, Drogen oder dergleichen stehen.
- Nehmen Sie auf keinen Fall Änderungen am Werkzeug vor.

Persönliche Schutzausrüstungen

- Tragen Sie zum Schutz Ihrer Augen vor Staub und Verletzungen durch Klammern stets eine Schutzbrille.

⚠️ WARNUNG: Es ist Pflicht des Arbeitgebers, das Tragen von Schutzbrillen beim Bediener und allen anderen Personen im unmittelbaren Arbeitsbereich durchzusetzen.

Nur Australien und Neuseeland

- Tragen Sie zum Schutz Ihrer Augen und des Gesichts vor Staub und Verletzungen durch Klammern stets eine Schutzbrille und einen Gesichtsschutz. Die Schutzbrille und der Gesichtsschutz müssen die Anforderungen der Norm AS/NZS 1336 erfüllen. (**Abb. 1**)
- Tragen Sie einen Gehörschutz, um Ihre Ohren vor den Auspuffgeräuschen zu schützen, und tragen Sie darüber hinaus einen Kopfschutz. Tragen Sie auch leichte, aber keine weite Kleidung. Ärmel müssen zugeknöpft oder hochgerollt sein. Das Tragen einer Krawatte ist unzulässig.

Sicherheit am Arbeitsplatz

- Verwenden Sie das Werkzeug niemals in geschlossenen oder unzureichend belüfteten Räumen.

Andernfalls kann es zu Schwindelgefühlen und Übelkeit bis zur Bewusstlosigkeit aufgrund von Ansammlungen von Kohlenmonoxid kommen.

- Achten Sie auf ein sauberes und gut beleuchtetes Arbeitsumfeld. In unordentlichen oder dunklen Bereichen können schnell Unfälle passieren.
- Betreiben Sie das Werkzeug niemals in explosionsgefährdeten Umgebungen, wie etwa in der Nähe von brennbaren Flüssigkeiten, Gasen oder Staub. Beim Betrieb von Elektrowerkzeugen können Funken entstehen, die Staub und Dämpfe entzünden können.
- Halten Sie Kinder und Zuschauer auf Abstand, wenn Sie das Werkzeug bedienen. Ablenkung kann zu Kontrollverlust führen.
- Beleuchten Sie den Arbeitsbereich ausreichend.
- Befolgen Sie etwaige örtliche Lärmschutzvorschriften, halten Sie insbesondere die vorgeschriebenen Grenzen für Geräuschpegel ein. In bestimmten Fällen sollte der Lärmpegel mit Hilfe von Jalousien gedämpft werden.

Schutzvorrichtungen

- Stellen Sie vor der Benutzung des Werkzeugs sicher, dass alle Sicherheitssysteme in funktionsfähigem Zustand sind. Das Werkzeug darf nicht auslösen, wenn nur der Auslöser betätigt oder nur der Kontaktausleger gegen das Werkstück gedrückt wird. Das Werkzeug darf nur dann auslösen, wenn beide Aktionen zusammen durchgeführt werden. Überprüfen Sie das Werkzeug mit leerem Magazin und voll durchgezogenem Auslöser auf möglichen fehlerhaften Betrieb.
- Gehen Sie mit dem Kontaktfuß sorgfältig um: Dieser Fuß verhindert ein versehentliches Auslösen. Daher muss er stets am Werkzeug verbleiben und darf nicht entfernt werden. Auch das Arretieren des Auslösers in Auslösestellung ist sehr gefährlich. Versuchen Sie niemals, den Auslöser zu arretieren. Benutzen Sie das Werkzeug nicht, wenn eines der Bedienelemente des Werkzeugs funktionsunfähig oder mangelhaft ist oder demontiert oder abgeändert wurde.
- Versuchen Sie niemals, den Kontaktfuß mittels Klebeband, Draht o. ä. dauerhaft in gedrückter Stellung zu fixieren. Dies kann zu schweren oder gar tödlichen Verletzungen führen.
- Überprüfen Sie unbedingt den Kontaktfuß wie in dieser Betriebsanleitung vorgegeben. Wenn der Sicherheitsmechanismus nicht korrekt funktioniert, können versehentlich Stiftnägel ausgesprochen werden.

Bestücken der Stiftnägel

- Laden Sie das Werkzeug nicht mit Nägeln auf, wenn eines der Auslöseelemente aktiviert ist.
- Verwenden Sie ausschließlich die in dieser Anleitung vorgegebenen Stiftnägel. Bei Verwendung anderer Stiftnägel kann es zu einer Fehlfunktion des Werkzeugs kommen.

Stromversorgung

- Verwenden Sie das Werkzeug ausschließlich mit originalen Brennstoffzellen von Makita.
- Vermeiden Sie den Kontakt mit aus der Kraftstoffzelle austretendem Flüssiggas. Bei Kontakt mit dem Flüssiggas kann es zu Verletzungen kommen.

- Brand- und Explosionsgefahr Bei Umgang mit der Kraftstoffzelle zwecks Lagerung, Transport, Ein- und Ausbau in das bzw. aus dem Werkzeug oder Entsorgung:
 - Setzen Sie die Zelle keinem Sonnenlicht und keinen Temperaturen über 50°C aus.
 - Rauchen Sie nicht.
 - Vermeiden Sie Funken und offene Flammen.
- Nehmen Sie immer den Akkublock ab und alle Befestigungsmittel heraus.
 - wenn das Werkzeug unbeaufsichtigt ist,
 - bevor Sie Wartungs- oder Reparaturarbeiten durchführen,
 - bevor Sie einen Nagelstau beseitigen,
 - bevor Sie das Werkzeug an einen anderen Ort transportieren.

Bedienungssicherheit

- Überprüfen Sie das Werkzeug vor der Benutzung stets auf seinen Allgemeinzustand und auf lockere Schrauben. Ziehen Sie ggf. lockere Schrauben fest.
- Gehen Sie mit dem Werkzeug sorgfältig um. Das Werkzeug steht unter hohem Druck, sodass ein durch grobe Behandlung (Fallenlassen oder Anstoßen) verursachter Riss eine hohe Gefahr darstellt. Bringen Sie niemals Einritzungen oder Gravuren in das Werkzeug ein.
- Brechen Sie die Arbeiten sofort ab, wenn Sie einen Defekt oder etwas Ungewöhnliches am Werkzeug feststellen. Ein Werkzeug, das Defekte aufweist, darf nicht verwendet werden.
- Richten Sie die Auswurföffnung nicht auf Personen in der Nähe. Halten Sie Hände und Füße vom Bereich der Auswurföffnung fern.
- Gehen Sie stets davon aus, dass sich Stiftnägel im Werkzeug befinden.
- Richten Sie das Werkzeug niemals auf sich selbst oder andere Personen, auch dann nicht, wenn sich keine Befestigungsmittel im Werkzeug befinden.
- Überstürzen Sie die Arbeit nicht, und üben Sie keine übermäßige Kraft auf das Werkzeug aus. Gehen Sie mit dem Werkzeug sorgsam um.
- Lösen Sie das Werkzeug erst dann aus, nachdem Sie es fest auf das Werkstück aufgesetzt haben.
- Halten oder tragen Sie das Werkzeug nicht mit dem Finger am Auslöser, und übergeben Sie das Werkzeug nicht auf diese Weise an andere Personen. Bei einem versehentlichen Auslösen kann es zu schweren Verletzungen kommen.
- Benutzen Sie Nagler mit der Aufschrift „Nicht auf Gerüsten, Leitern verwenden“ niemals für bestimmte Arbeiten wie z. B.:
 - wenn für einen Arbeitsplatzwechsel Gerüste, Treppen, Leitern oder leiterähnliche Konstruktionen wie z. B. Dachlatten erforderlich sind;
 - zum Verschließen von Kisten oder Verschlüssen;
 - zum Anbringen von Transportsicherheitsystemen z. B. an Fahrzeugen und Wagen.
- Überprüfen Sie Wände, Decken, Fußböden, Dächer und dergleichen sorgfältig auf möglicherweise dort verlegte Elektrokabel, Gasrohre oder sonstige Rohre und Leitungen, um elektrische Schläge, Gaslecks, Explosionen usw. zu vermeiden.

- Verwenden Sie dieses Werkzeug nicht für das Befestigen von Elektrokabeln. Das Werkzeug eignet sich nicht für das Anbringen von Elektrokabeln. Es kann die Isolierung von Elektrokabeln beschädigen und dadurch Stromschläge oder Brandverletzungen verursachen.
- Achten Sie beim Arbeiten mit dem Werkzeug auf sicheren Stand und Gleichgewicht. Stellen Sie sicher, dass sich bei Arbeiten an hochgelegenen Arbeitsplätzen keine Personen unterhalb Ihres Standorts aufhalten, um Gefahren zu vermeiden, wenn der Luftschlauch plötzlich ruckt oder an Hindernissen hängen bleibt.
- Bewegen Sie sich beim Einschlagen von Stiftnägeln auf Dächern und anderen hochgelegenen Orten in Vorwärtsrichtung. Wenn Sie sich rückwärts bewegen, können Sie leicht den Stand verlieren. Bringen Sie bei Arbeiten an senkrechten Flächen die Stiftnägeln von oben nach unten. Das Ausführen von Nagelarbeiten auf diese Weise ist weniger ermüdend.
- Ein Stiftnagel kann sich verbiegen oder im Werkzeug verklemmen, wenn Sie versehentlich auf einen anderen Stiftnagel oder ein Astloch im Holz treffen. Der Stiftnagel kann herausgeschleudert werden und Personen treffen, oder das Werkzeug selbst kann sich gefährlich verhalten. Setzen Sie die Stiftnägeln mit Sorgfalt.
- Versuchen Sie niemals, Stiftnägeln gleichzeitig von innen und von außen einzuschlagen. Stiftnägeln können durchschlagen und/oder herausfliegen und dabei eine große Gefahr darstellen.

Service

- Nehmen Sie unmittelbar nach Abschluss der Arbeiten eine Reinigung und Wartung vor. Halten Sie das Werkzeug stets in einwandfreiem Zustand. Schmier Sie bewegliche Teile, um Rostbildung zu verhindern und Reibungsverschleiß zu minimieren. Säubern Sie alle Teile von Staub.
- Lassen Sie das Werkzeug regelmäßig von autorisierten Makita-Servicecentern überprüfen.
- Für die Gewährleistung der SICHERHEIT und ZUVERLÄSSIGKEIT des Produkts dürfen Reparatur- und Wartungsarbeiten ausschließlich von autorisierten Makita-Servicecentern durchgeführt werden, und es sollten ausschließlich Original-Ersatzteile von Makita verwendet werden.

BEWAHREN SIE DIESE ANLEITUNG SORGFÄLTIG AUF.



⚠️ WARNUNG:

Lassen Sie sich NIE durch Bequemlichkeit oder (aus fortwährendem Gebrauch gewonnener) Vertrautheit mit dem Werkzeug dazu verleiten, die Sicherheitsregeln für das Werkzeug zu missachten. Bei MISSBRÄUHLICHER Verwendung des Werkzeugs oder Missachtung der in diesem Handbuch enthaltenen Sicherheitshinweise kann es zu schweren Verletzungen kommen.

FÜR AKKUBLOCK

1. Lesen Sie vor der Verwendung des Akkublocks alle Anweisungen und Sicherheitshinweise für das Akkuladegerät (1), den Akku (2) und das Produkt (3), für das der Akku verwendet wird, sorgfältig durch.
2. Der Akkublock darf nicht zerlegt werden.
3. Falls die Betriebsdauer erheblich kürzer wird, beenden Sie den Betrieb umgehend. Anderenfalls besteht die Gefahr einer Überhitzung sowie die Gefahr von Verbrennungen und sogar einer Explosion.
4. Wenn Elektrolyt in die Augen geraten ist, waschen Sie die Augen mit klarem Wasser aus und suchen Sie sofort einen Arzt auf. Anderenfalls kann es zum Verlust der Sehfähigkeit kommen.
5. Vermeiden Sie einen Kurzschluss des Akkublocks:
 - (1) Die Kontakte dürfen nicht mit leitenden Materialien in Berührung kommen.
 - (2) Der Akkublock darf nicht in einem Behälter aufbewahrt werden, in dem sich andere metallische Gegenstände wie beispielsweise Nägel, Münzen usw. befinden.
 - (3) Der Akkublock darf keiner Feuchtigkeit und keinem Regen ausgesetzt werden.Ein Kurzschluss des Akkus kann zu hohem Kriechstrom, Überhitzung, Verbrennungen und sogar zu einer Zerstörung des Geräts führen.
6. Gerät und Akkublock dürfen nicht an Orten aufbewahrt werden, an denen Temperaturen von 50°C oder darüber erreicht werden können.
7. Auch schwer beschädigte oder sonst unbrauchbare Akkublöcke dürfen nicht verbrannt werden. Ein Akkublock kann in den Flammen explodieren.
8. Lassen Sie den Akku nicht fallen und vermeiden Sie Schläge gegen den Akku.
9. Verwenden Sie niemals einen beschädigten Akku.

BEWAHREN SIE DIESE ANLEITUNG SORGFÄLTIG AUF.

Tipps für eine maximale Nutzungsdauer von Akkus

1. Laden Sie den Akkublock auf, bevor der Akku vollständig entladen ist. Beenden Sie stets den Betrieb des Geräts und laden Sie den Akkublock auf, sobald Sie eine verringerte Leistung bemerken.
2. Ein voll aufgeladener Akkublock darf niemals erneut geladen werden. Durch Überladung wird die Lebensdauer des Akkus verkürzt.
3. Laden Sie den Akkublock bei einer Zimmertemperatur von 10°C bis 40°C auf. Lassen Sie einen heißen Akkublock vor dem Aufladen abkühlen.

Gesamtdarstellung des Naglers (Abb. 2)

FUNKTIONSBESCHREIBUNG

⚠ ACHTUNG:

- Entfernen Sie stets die Kraftstoffzellen, den Akkublock und die Nägel, bevor Sie Einstellungen oder eine Funktionsprüfung des Werkzeugs vornehmen.

Einbauen und Ausbauen des Akkublocks

⚠ ACHTUNG:

- Schalten Sie das Gerät stets aus, bevor Sie den Akkublock einsetzen oder abnehmen.
- Halten Sie das Gerät und den Akkublock sicher fest, wenn Sie den Akkublock einsetzen oder herausnehmen. Andernfalls könnte Ihnen das Gerät oder der Akkublock aus den Händen fallen, sodass das Gerät und/oder der Akkublock beschädigt werden oder Verletzungen verursachen. (Abb. 3)

Zum Einsetzen des Akkublocks setzen Sie den Akkublock mit der Vorderseite passgerecht auf die Öffnung des Akkufachs auf, und schieben Sie den Akkublock in seine Position. Setzen Sie den Batterieadapter ganz ein, bis er mit einem Klick einrastet. (Abb. 4)

Zum Abnehmen des Akkublocks müssen Sie an beiden Seiten des Akkublocks drücken und gleichzeitig den Akkublock aus dem Werkzeug herausziehen.

⚠ ACHTUNG:

- Schieben Sie den Akkublock stets vollständig ein, bis er einrastet. Andernfalls kann der Batterieadapter versehentlich aus dem Werkzeug fallen und Sie oder umstehende Personen verletzen.
- Wenden Sie beim Einsetzen des Akkublocks keine Gewalt an. Wenn der Akkublock nicht leicht hineingleitet, ist er nicht richtig angesetzt.

Einschalten der Lampe

⚠ ACHTUNG:

- Schauen Sie nicht direkt in das Licht oder in die Lichtquelle. (Abb. 5)
- Zum Einschalten der Lampe drücken Sie die Lampentaste. Zum Ausschalten der Lampe drücken Sie die Lampentaste erneut.

Kraftstoffzelle

Befestigen des Dosierventils an der Kraftstoffzelle (Abb. 6)

Trennen Sie die Kappe ab (falls das Dosierventil mit Kappe geliefert wird). (Abb. 7)
Drücken Sie die vordere Kante ein. (Abb. 8)
Drücken Sie die hintere Kante bis zum Einrasten ein.

Einsetzen der Kraftstoffzelle (Abb. 9)

Ziehen Sie die Kraftstoffabdeckung zum Öffnen nach vorn. (Abb. 10)
Setzen Sie die Kraftstoffzelle in Richtung Strahldüse des Dosierventils Richtung Adapter ein. (Abb. 11)
Setzen Sie die Strahldüse ordnungsgemäß in die kleine Öffnung des Adapters ein. (Abb. 12)
Setzen Sie die Kraftstoffabdeckung auf das Dosierventil und drücken Sie diese zum Einrasten nach unten.

Einstellen der Nageltiefe

ACHTUNG:

- Entfernen Sie die Kraftstoffzelle, den Akkublock sowie alle Nägel, bevor Sie die Tiefe der Nagelung einstellen. (Abb. 13)

Zum Erreichen einer geringeren Tiefe drehen Sie den Einsteller nach rechts, wie in der Abbildung dargestellt. Zum Erreichen einer größeren Tiefe drehen Sie den Einsteller nach links. Drehen Sie den Einsteller nicht zu weit, oder der Einsteller kann stecken bleiben.

Anzeigelampe

Die Farbe der Anzeigelampe hat die folgende Bedeutung. **Grün blinkend:** Normaler Status

Rot blinkend: Akkublock muss geladen werden

Rot leuchtend: Laden Sie den Akkublock auf. Mit der verbleibenden Akkuleistung kann keine Nagelung vorgenommen werden.

Orange blinkend: Eine gründliche Reinigung ist angesagt. Hinweise zu einer gründlichen Reinigung der Innenseite des Werkzeugs entnehmen Sie bitte dem Abschnitt „WARTUNG“. Um eine orange blinkende Anzeigelampe zurückzusetzen, drücken Sie den Kontaktfuß fünf Sekunden lang und dann drücken sie denselben fünfmal.

Orange blinkend, nach abwechselnd grün und rot blinkend: Fehlererkennung wird durchgeführt. Zum Zurücksetzen entnehmen Sie den Akkublock, und setzen ihn wieder ein. Falls die Fehlererkennung erneut ausgeführt wird, liegt eine Fehlfunktion vor. Wenden Sie sich für eine Reparatur an Ihr örtliches, autorisiertes Makita-Servicecenter.

Haken

ACHTUNG:

Ziehen Sie stets den Akkublock vom Werkzeug ab, wenn Sie das Werkzeug aufhängen. Hängen Sie das Werkzeug nicht an Ihren Gürtel. (Abb. 14)

Der Haken ist nützlich, wenn Sie das Werkzeug kurzzeitig aufhängen möchten.

Der Haken kann in zwei Positionen entsprechend der gewünschten Aufhängung befestigt werden.

Zum Ändern der Hakenposition drücken Sie den Haken von beiden Seiten des Fußes zusammen, und ziehen Sie ihn an eine andere Position.

MONTAGE

ACHTUNG:

- Nehmen Sie immer die Kraftstoffzelle und den Akkublock ab, bevor Sie Arbeiten am Werkzeug ausführen.

Laden des Naglers (Abb. 15)

Setzen Sie einen Nagelstreifen in den Schlitz an der Rückseite des Magazins ein. Die Nägel stoppen aufgrund des Nagelstoppers am Eingang des Magazins. Lösen Sie die Sperre des Magazins, indem Sie die Taste am Nagelstopper drücken, und Sie können die Nägel einsetzen. (Abb. 16)

Ziehen Sie den Druckhebel, und drücken Sie gleichzeitig die Drucktaste ganz bis zur Rückseite des Magazins. Lassen Sie dann die Drucktaste los, und bringen Sie den Druckhebel vorsichtig wieder an das Ende des Nagelstreifens.

Entfernen der Nägel (Abb. 17)

Ziehen Sie den Druckhebel, und drücken Sie die Drucktaste, um den Nagelträger freizugeben; bringen Sie den Druckhebel zurück zum Anfang, indem Sie die Drucktaste drücken.

Schieben Sie die Nägel Richtung Rückseite des Magazins. Die Nägel stoppen aufgrund des Nagelstoppers am Eingang des Magazins. Lösen Sie die Sperre des Magazins, indem Sie die Taste am Nagelstopper drücken, und Sie können die Nägel entfernen.

Wechseln des Magazins (Sonderzubehör) (Abb. 18)

Als Sonderzubehör ist ein Magazin mit einer anderen Länge verfügbar.

Zum Wechseln des Magazins lösen Sie die Schraube, und entfernen Sie das Magazin. Setzen Sie anschließend das neue Magazin ein. Ziehen Sie die Schraube am Magazin fest.

BETRIEB

WARNING:

- Bereich um die Lüftungsschlitze nicht berühren.** Dieser Bereich ist bei und kurz nach dem Betrieb sehr heiß. Bei Berührung des Bereichs um die Lüftungsschlitze kann es zu Verbrennungen oder Verletzungen kommen.

ACHTUNG:

- Stellen Sie vor der Benutzung des Werkzeugs sicher, dass alle Sicherheitssysteme in funktionsfähigem Zustand sind. (Abb. 19)
 - Zum Eintreiben eines Nagels setzen Sie den Kontaktfuß auf das Werkstück. Der Ventilatormotor wird ausgelöst, Kraftstoffgas wird in die Verbrennungskammer eingespritzt und mit dem Ventilator mit Luft gemischt. (Abb. 20)
 - Halten Sie den Kontaktfuß durch Drücken sicher fest, und betätigen Sie anschließend den Auslöser. Kraftstoffgas wird verbrannt und der Nagel wird eingetrieben.
 - Ein weiterer Eintreibvorgang kann nur ausgelöst werden, wenn sowohl Kontaktfuß als auch Auslöser freigegeben werden.

Einschlagen von Nägeln in Beton

WARNING:

- Verwenden Sie für Beton ausschließlich gehärtete Nägel. Die Verwendung anderer als der für den Zweck vorgesehenen Nägel kann zu schweren Verletzungen führen. Schlagen Sie den Nagel nicht direkt auf dem Beton ein. Eine Missachtung dieses Punkts kann zum Abspringen von Betonfragmenten, Zurückschlagen von Nägeln und schweren Verletzungen führen.

- Halten Sie beim Einschlagen von Nägeln das Werkzeug so, dass es senkrecht zur Werkstückoberfläche steht.
Beim Einschlagen in Schräglage kann es zum Abspringen von Betonfragmenten, Zurückschlagen von Nägeln und schweren Verletzungen kommen.
 - Benutzen Sie das Werkzeug nicht für Oberflächen, an denen Objekte hängen, wie z. B. in Bereichen mit Aufhängern für Abwasserleitungen, Staubrohren usw.
- Verwenden Sie geeignete Nägel, dass die Eindringtiefe in den Beton zwischen 15 mm und 20 mm liegt. (Abb. 21)

⚠ ACHTUNG:

- Benutzen Sie dieses Werkzeug nur für weichen Beton, der noch nicht allzu lange liegt. Der Gebrauch auf hartem Beton kann dazu führen, dass sich Nägel verbiegen oder nicht tief genug eindringen.
- Wenn eine Eindringtiefe in den Beton von mehr als 20 mm notwendig ist, kann eine ausreichende Tiefe mit diesem Werkzeug möglicherweise nicht erreicht werden. Nägel werden möglicherweise zu flach eingeschlagen, was zu einem instabilen Werkstück und Verletzungen oder Beschädigungen führt.

Auslösemechanismus mit Schutzvorrichtung

Dieser Mechanismus verhindert, dass das Werkzeug ohne Nagel auslöst.

Diese Auslöseschutzvorrichtung wird automatisch aktiviert, wenn nur noch 2 bis 3 Nägel im Magazin sind.

Blockierter Nagler

⚠ WARNUNG:

- Entfernen Sie stets die Kraftstoffzelle und den Akkublock, bevor Sie eine Blockade lösen.

⚠ ACHTUNG:

- Verwenden Sie keine verformten Nägel oder Nagelstreifen. Andernfalls wird die Nagelzufuhr beeinträchtigt.

Nehmen Sie die Nägel anhand des Verfahrens für das Entnehmen von Nägeln und entfernen Sie die verklemmten Nägel. (Abb. 22)

Entfernen Sie die Kraftstoffzelle, den Akkublock und die Nägel.

Lösen Sie die Schraube am Magazin fest. Entfernen Sie das Magazin und entnehmen Sie die verklemmten Nägel. (Abb. 23)

Falls die Nägel nicht anhand der oben beschriebenen Methode entfernt werden können, gehen Sie wie folgt vor. Führen Sie einen dünnen Stab oder dergleichen in die Auswurföffnung ein, und klopfen Sie mit einem Hammer an den Stab, um den verklemmten Nagel aus der Auswurföffnung zu treiben. (Abb. 24 und 25)

Falls die Nägel noch immer in der Auswurföffnung stecken, gehen Sie wie folgt vor.

Lösen Sie die Schrauben an der Auswurföffnung mit einem Sechskantschlüssel. Entfernen Sie die untere Führungsplatte. Entnehmen Sie die verklemmten Nägel. Setzen Sie die untere Führungsplatte wieder ein und ziehen Sie die Schrauben nach dem Entfernen der verklemmten Nägel wieder fest.

Setzen Sie das Magazin wieder ein und ziehen Sie die Schraube fest.

WARTUNG

⚠ ACHTUNG:

- Entfernen Sie stets die Kraftstoffzelle, den Akkublock sowie alle Nägel, bevor Sie Überprüfungen oder Wartungen vornehmen.
- Verwenden Sie zum Reinigen niemals Kraftstoffe, Benzin, Verdünner, Alkohol oder ähnliches. Dies kann zu Verfärbungen, Verformungen oder Rissen führen.

Wartungsarbeiten nach der täglichen Arbeit

Führen Sie am Ende der täglichen Arbeiten eine Reinigungsroutine durch.

Diese einfachen Schritte dienen zum Aufrechterhalten der Sicherheit und der Leistungsfähigkeit des Werkzeugs.

Vor Verlassen des Arbeitsplatzes:

- Entfernen Sie den Akkublock, und lagern Sie ihn im Werkzeugkoffer. Transportieren und lagern Sie das Werkzeug immer im Werkzeugkoffer.
- Entsorgung Sie leere Zellen immer so, dass diese nicht in Kinderhände gelangen oder zerdrückt, durchstoßen oder verbrannt werden können.

Nach Beendigung der Arbeiten:

- Setzen Sie den Akkublock bei Bedarf in das Ladegerät ein; dies wird durch die rote Anzeigelampe angezeigt.
- Wischen Sie das Werkzeug mit einem sauberen, weichen Tuch ab.
- Überprüfen Sie den Filter und reinigen Sie diesen bei Verschmutzung.

Reinigen des Luftfilters (Abb. 26 und 27)

Drücken Sie die Filterkappe leicht nach oben, und nehmen Sie diese ab. Nehmen Sie dann den Filter einfach heraus.

Klopfen Sie den Filter vorsichtig aus. Nach der Behandlung mit Wasser und Seife ist der Filter wieder wie neu.

Zur Gewährleistung von SICHERHEIT und ZUVERLÄSSIGKEIT des Produkts sollten Reparaturen, Wartungsarbeiten und Einstellungen nur durch von Makita autorisierte Servicecenter durchgeführt und ausschließlich Makita-Ersatzteile verwendet werden.

Gründliche Reinigung

Wenn beim Auslösen öfters kein Nagel ausgeschossen wird, muss das Werkzeug gründlich gereinigt werden. Nehmen Sie eine Reinigung vor. Detaillierte Anweisungen finden Sie in der beiliegenden Reinigungsanleitung. Wenn Sie Fragen zur Reinigung haben, wenden Sie sich an Ihr örtliches Makita-Servicecenter.

SONDERZUBEHÖR

⚠ ACHTUNG:

- Für das in diesem Handbuch beschriebene Makita-Gerät werden die folgenden Zubehör- und Zusatzteile empfohlen. Bei Verwendung anderer Zubehör- und Zusatzteile kann es zu Verletzungen kommen. Verwenden Sie Zubehör- und Zusatzteile nur für den vorgesehenen Zweck.

Informationen zu diesem Zubehör erhalten Sie von Ihrem Makita-Servicecenter.

- Nägel
- Magazin
- Schutzbrille
- Kraftstoffzelle
- Reinigungssatz
- Original-Akku und Original-Ladegerät von Makita

Die technische Dokumentation erfolgt durch:
 Makita International Europe Ltd.
 Technical Department,
 Michigan Drive, Tongwell,
 Milton Keynes, Bucks MK15 8JD, England

29. 03. 2012



Tomoyasu Kato
 Direktor

Makita Corporation
 3-11-8, Sumiyoshi-cho,
 Anjo, Aichi, 446-8502, JAPAN

HINWEIS:

- Einige der in der Liste aufgeführten Elemente sind dem Werkzeugpaket als Standardzubehör beigelegt. Diese können in den einzelnen Ländern voneinander abweichen.

Schallpegel ENG905-1

Typischer A-bewerteter Schallpegel nach EN792:

- Schalldruckpegel (L_{pA}): 89 dB (A)
- Schalleistungspegel (L_{WA}): 102 dB (A)
- Abweichung (K): 3 dB (A)

Tragen Sie Gehörschutz!

Schwingung ENG904-2

Die Gesamtschwingungsbelastung wird gemäß EN792 bestimmt:

- Schwingungsbelastung (a_h): 3,5 m/s²
- Abweichung (K): 1,5 m/s²

ENG901-1

- Der hier angegebene Wert für die erzeugten Schwingungen wurde gemäß dem genormten Testverfahren ermittelt und kann als Vergleich zu anderen Werkzeugen herangezogen werden.
- Der angegebene Wert für die erzeugten Schwingungen ist außerdem für eine vorbeugende Bewertung der Belastung zu verwenden.

WARNUNG:

- Die Schwingungsbelastung kann bei tatsächlichem Gebrauch des Elektrowerkzeugs in Abhängigkeit von der Handhabung des Elektrowerkzeugs von dem hier aufgeführten Wert abweichen.
- Stellen Sie sicher, dass Schutzmaßnahmen für den Bediener getroffen werden, die auf den unter den tatsächlichen Arbeitsbedingungen zu erwartenden Belastungen beruhen (beziehen Sie alle Bestandteile des Arbeitsablaufs ein, also zusätzlich zu den Arbeitszeiten auch Zeiten, in denen das Werkzeug ausgeschaltet ist oder ohne Last läuft).

Nur für europäische Länder ENH003-14

EG-Konformitätserklärung

Wir, Makita Corporation als verantwortlicher Hersteller, erklären, dass das/die folgende/n Gerät/ Geräte der Marke Makita:

Bezeichnung des Geräts/der Geräte:

Gasdruck-Betonnagler

Nummer / Typ des Modells: GN420C

in Serienfertigung hergestellt wird/werden und

den folgenden Richtlinien der Europäischen Union genügt/genügen:

2006/42/EG

Außerdem werden die Geräte gemäß den folgenden Standards oder Normen gefertigt:

EN792, EN60745

ITALIANO (Istruzioni originali)

Spiegazione della vista generale

- | | | |
|-----------------------------------|----------------------------|--|
| 1. Occhiali di protezione | 10. Lampada | 19. Gancio |
| 2. Visiera protettiva | 11. Spia luminosa | 20. Fermo del chiodo |
| 3. Copricella | 12. Batteria | 21. Bullone |
| 4. Grilletto | 13. Pulsante | 22. Lastra di acciaio sottile |
| 5. Comparto | 14. Pulsante della lampada | 23. Quantità di penetrazione nel cemento |
| 6. Leva del dispositivo di spinta | 15. Valvola di misurazione | 24. Guida avvitatore inferiore |
| 7. Pulsante a pressione | 16. Coperchio | 25. Coperchio del filtro |
| 8. Elemento di contatto | 17. Ugello | 26. Filtro |
| 9. Apertura di ventilazione | 18. Regolatore | |

SPECIFICHE TECNICHE

Modello	GN420C	
Capacità chiodi	20 chiodi (2 nastri)	40 chiodi (4 nastri)
Dimensioni (L X P X A)	315 mm x 108 mm x 390 mm	430 mm x 108 mm x 390 mm
Peso netto	3,6 kg	3,8 kg
Lunghezza chiodo X Diametro gambo	L. chiodo: 15 mm - 40 mm, d: 2,6 mm - 3,1 mm	
Tensione nominale	7,2 V CC	

- Le caratteristiche tecniche riportate di seguito sono soggette a modifiche senza preavviso in virtù del nostro programma continuo di ricerca e sviluppo.
- Le caratteristiche tecniche e le batterie possono differire da paese a paese.
- Peso, comprensivo di batterie, calcolato in base alla Procedura EPTA 01/2003

Simboli

END107-7

Di seguito sono riportati i simboli utilizzati per l'apparecchio. È importante comprenderne il significato prima dell'uso.



..... Non utilizzare su impalcature o scale a pioli.



..... Avvertenza: superficie calda!
Non toccare l'area intorno a questo simbolo. Il contatto con la superficie può causare ustioni o ferite.



..... Solo per Paesi UE
Non gettare le apparecchiature elettriche o le batterie tra i rifiuti domestici. Secondo le Direttive Europee sui rifiuti di apparecchiature elettriche ed elettroniche, su batterie e accumulatori e sui rifiuti di batterie e di accumulatori, e la sua attuazione in conformità alle norme nazionali, le apparecchiature elettriche e le batterie esauste devono essere raccolte separatamente, al fine di essere riciclate in modo eco-compatibile.

Uso previsto

ENE072-1

L'utensile è progettato per fissare una lastra di acciaio sottile al cemento.

Avvertenze generali di sicurezza per l'uso dell'utensile

GEA010-1

⚠ AVVERTENZA Leggere attentamente tutte le avvertenze di sicurezza e le istruzioni. La mancata osservanza delle istruzioni e delle avvertenze riportate di seguito potrebbe provocare scosse elettriche, incendi e/o lesioni gravi.



..... Leggere il manuale di istruzioni.



..... Contenitore sotto pressione, evitare le temperature superiori ai 50°C (es. radiazione solare) Tenere il contenitore in un luogo ben ventilato.



..... Usare solo all'esterno o in ambienti adeguatamente ventilati. Non inalare il gas.



..... Non usare in prossimità di fiamme né spruzzare su superfici calde. Durante l'uso è possibile che si formi una miscela vapore/aria infiammabile o esplosiva.



..... Non forzare, aprire o bruciare, neanche quando la bomboletta di gas è vuota.



..... Indossare occhiali di protezione.



..... Per evitare l'attivazione accidentale, tenere le dita lontane dal grilletto quando non si utilizza l'utensile.



..... Utilizzare solo in ambienti ventilati, per evitare nausea e perdita di conoscenza. Non utilizzare in ambienti saturi di gas combustibili. Lo scarico dell'utensile può incendiare materiali infiammabili.

Conservare le avvertenze e le istruzioni per riferimenti futuri.

Avvertenze di sicurezza per la chiodatrice/spillatrice a batteria

ENB111-4

⚠ AVVERTENZA Leggere attentamente tutte le avvertenze di sicurezza e le istruzioni. La mancata osservanza delle avvertenze e delle istruzioni può condurre a gravi infortuni, folgorazioni e/o incendi.

Conservare tutte le avvertenze e le istruzioni per farvi riferimento in futuro.

Per la sicurezza personale e per un corretto funzionamento e manutenzione dell'utensile, leggere questo manuale di istruzioni prima dell'uso.

Sicurezza generica

- Non permettere a operatori non addestrati di utilizzare l'utensile.
- Non giocare con l'utensile. L'utensile deve essere considerato come un accessorio funzionante.
- Non utilizzarlo sotto l'influenza di alcol, droghe e sostanze simili.
- Non modificarlo in alcun modo.

Dispositivi di protezione individuale

- Indossare sempre gli occhiali di protezione per proteggere gli occhi da polvere o infortuni.
- **⚠ AVVERTENZA:** È responsabilità del datore di lavoro obbligare l'operatore e le persone nelle immediate vicinanze a indossare occhiali di protezione quando l'utensile è in funzione.

Solo per Australia e Nuova Zelanda

Indossare sempre gli occhiali di protezione e la visiera protettiva per proteggere gli occhi da polvere o infortuni. Gli occhiali di protezione e la visiera protettiva devono essere conformi ai requisiti di AS/NZS 1336.

(Fig. 1)

- Indossare una protezione per la testa e una protezione acustica per proteggere le orecchie dal rumore di scarico. Indossare inoltre abiti leggeri e aderenti. Le maniche devono essere abbottonate o rimboccate. Non indossare cravatte.

Sicurezza dell'area di lavoro

- Non adoperare l'utensile in ambienti chiusi o scarsamente ventilati. In caso contrario il monossido di carbonio potrebbe causare vertigini, nausea o perdita di conoscenza.
- L'area di lavoro deve essere pulita e ben illuminata. Le aree disordinate o buie favoriscono gli incidenti.
- Non azionare l'utensile in atmosfere esplosive, ad esempio in presenza di liquidi, gas o polveri infiammabili. L'azionamento dell'utensile può produrre scintille tali da accendere polveri o fumi.
- Tenere a distanza i bambini e gli astanti durante l'uso dell'utensile. Le distrazioni possono causare una perdita di controllo.
- Illuminare a sufficienza l'area di lavoro.
- Potrebbero esistere delle norme locali in materia di inquinamento acustico che devono essere rispettate mantenendo il livello del rumore entro i limiti prescritti.

In alcuni casi è opportuno utilizzare dei ripari per limitare il rumore.

Dispositivi di sicurezza

- Accertarsi che tutti i sistemi di sicurezza funzionino correttamente prima dell'uso. L'utensile non deve avviarsi se viene tirato soltanto il grilletto o se viene soltanto premuto il braccio di contatto contro il legno. Il funzionamento deve avvenire solo quando vengono eseguite entrambe le operazioni. Verificare un eventuale funzionamento anomalo dopo aver scaricato i dispositivi di fissaggio e dopo aver portato il dispositivo di spinta nella posizione completamente tirata.
- Non giocare con l'elemento di contatto: serve a impedire scariche accidentali e pertanto non deve essere rimosso. Anche il bloccaggio del grilletto in posizione ON è molto pericoloso. Non tentare mai di bloccare il grilletto. Non adoperare l'utensile se una parte qualsiasi dei suoi comandi è inutilizzabile, scollegata, alterata o non funzionante.
- Non tenere premuto l'elemento di contatto con filo o nastro adesivo. Potrebbero verificarsi gravi infortuni o il decesso dell'operatore.
- Controllare sempre l'elemento di contatto seguendo le istruzioni del manuale. I dispositivi di fissaggio potrebbero essere spinti accidentalmente se il meccanismo di sicurezza non funziona correttamente.

Caricamento dei dispositivi di fissaggio

- Non caricare i chiodi nell'utensile quando uno qualsiasi dei comandi è attivato.
- Utilizzare soltanto i chiodi specificati in questo manuale. L'utilizzo di un dispositivo di fissaggio diverso può causare problemi di funzionamento dell'utensile.

Alimentazione

- Usare l'utensile solo con la cella a combustibile originale Makita.
- Non toccare il gas liquido fuoriuscito dalla cella a combustibile. Il contatto potrebbe causare lesioni.
- Rischio di incendio ed esplosione. Quando si maneggia la cella a combustibile a fini di stoccaggio, trasporto, inserimento e rimozione dall'utensile e smaltimento:
 - non esporre al sole e a temperature superiori a 50 °C;
 - non fumare;
 - evitare scintille e fiamme libere.
- Rimuovere sempre la batteria e tutti i dispositivi di fissaggio:
 - Se l'utensile viene lasciato incustodito.
 - Prima di eseguire un intervento di manutenzione o riparazione.
 - Prima di rimuovere un inceppamento.
 - Prima di trasferire l'utensile in un'altra posizione.

Sicurezza operativa

- Prima dell'uso controllare le condizioni dell'utensile e l'eventuale presenza di viti allentate. Se necessario, serrare le viti.
- Maneggiare l'utensile con attenzione: al suo interno è presente un'alta pressione potenzialmente pericolosa in caso di spaccature o crepe dovute a un'errata movimentazione (cadute o impatti accidentali). Non tentare di intagliare o incidere l'utensile.

- Interrompere immediatamente l'uso se si riscontrano problemi o comportamenti anomali dell'utensile. Non utilizzare l'utensile se non funziona correttamente.
- Non puntare il foro di espulsione su persone nelle vicinanze. Tenere mani e piedi lontano dall'apertura di espulsione.
- Dare sempre per scontato che l'utensile contenga i dispositivi di fissaggio.
- Non rivolgere l'utensile verso di sé o verso altre persone, indipendentemente dalla presenza dei dispositivi di fissaggio.
- Non forzare l'utensile e non operare di fretta. Maneggiare l'utensile con cura.
- Non attivare l'utensile se non è appoggiato saldamente contro il pezzo in lavorazione.
- Non trasportare l'utensile tenendo il dito sul grilletto e non porgerlo ad altri in questa condizione. Un avviamento accidentale può causare gravi infortuni.
- Non utilizzare mai chiodatrici recanti il simbolo "Non utilizzare su impalcature e scale a pioli" per applicazioni specifiche, ad esempio:
 - se il cambiamento del posto di chiodatura richiede l'utilizzo di impalcature, scale a pioli, montacarichi o strutture analoghe, per esempio travi di legno;
 - Per chiudere scatole o casse di legno.
 - sistemi di sicurezza per il trasporto, per es., veicoli o vagoni;
- Ispezionare con cura pareti, soffitti, pavimenti e tetti per evitare potenziali scosse elettriche, perdite di gas, esplosioni, ecc., causate dal contatto con fili elettrici in tensione, condotti o tubi del gas.
- Non utilizzare l'utensile per il fissaggio di cavi elettrici. Non essendo progettato per il montaggio di cavi elettrici potrebbe danneggiare l'isolamento, causando folgorazioni o incendi.
- Quando si adopera l'utensile, prestare estrema attenzione alla posizione dei piedi cercando di mantenere sempre l'equilibrio. Durante i lavori in quota, accertarsi che l'area sottostante sia sgombra per evitare eventuali pericoli in caso di movimenti bruschi o se l'utensile rimane impigliato.
- Sui tetti e in altre aree sopraelevate occorre applicare i dispositivi di fissaggio mentre ci si sposta in avanti. È facile perdere l'equilibrio se si applicano i dispositivi di fissaggio procedendo all'indietro. Per applicare i dispositivi di fissaggio su una superficie perpendicolare è preferibile procedere dall'alto verso il basso. In questo modo le operazioni risultano meno faticose.
- Se per errore si applica un dispositivo di fissaggio sopra un altro o se si colpisce un nodo del legno, il dispositivo di fissaggio potrebbe piegarsi oppure l'utensile potrebbe incepparsi. Il dispositivo di fissaggio potrebbe venire scagliato via e colpire qualcuno, oppure l'utensile stesso potrebbe reagire pericolosamente. Posizionare i dispositivi di fissaggio con cura.
- Non tentare di applicare dispositivi di fissaggio su entrambi i lati interno ed esterno nello stesso tempo. I dispositivi di fissaggio potrebbero trapassare e/o essere scagliati con grave pericolo.

Manutenzione

- Eseguire la pulizia e la manutenzione subito dopo la fine del lavoro. Mantenere l'utensile in condizioni ottimali. Lubrificare le parti in movimento per prevenire

la ruggine e ridurre al minimo l'usura da attrito. Togliere tutta la polvere dai componenti.

- Richiedere l'ispezione periodica dell'utensile presso un centro assistenza Makita autorizzato.
- Per mantenere la sicurezza e l'affidabilità del prodotto, la manutenzione e le riparazioni devono essere eseguite da un centro assistenza Makita autorizzato, sempre utilizzando ricambi Makita.

CONSERVARE QUESTE ISTRUZIONI.



AVVERTENZA:

NON PERMETTERE che la familiarità acquisita con il prodotto (dovuta all'uso ripetuto) provochi l'innosservanza delle norme di sicurezza. L'USO IMPROPRIO o la mancata osservanza delle norme di sicurezza indicate in questo manuale di istruzioni possono provocare gravi danni alla persona.

IMPORTANTI ISTRUZIONI PER LA SICUREZZA

ENC009-1

PER LA BATTERIA

1. Prima di utilizzare la batteria, leggere tutte le istruzioni e gli avvisi di sicurezza relativi a (1) caricabatterie, (2) batteria e (3) prodotto alimentato a batteria.
2. Non smontare la batteria.
3. Se il tempo di funzionamento è diventato eccessivamente breve è opportuno interrompere immediatamente l'uso dell'utensile. Potrebbero verificarsi surriscaldamenti, ustioni e persino esplosioni.
4. In caso di contatto dell'elettrolita con gli occhi, sciacquare con acqua fresca e consultare immediatamente un medico. Potrebbero verificarsi danni permanenti alla funzionalità visiva.
5. Non cortocircuitare la batteria:
 - (1) Non toccare i terminali con materiali conduttivi.
 - (2) Evitare di conservare la batteria in un contenitore con altri oggetti in metallo, ad esempio chiodi, monete e così via.
 - (3) Non esporre la batteria all'acqua o alla pioggia. Un cortocircuito potrebbe causare un elevato flusso di corrente, surriscaldamenti, ustioni e persino rotture.
6. Non conservare l'utensile e la batteria in ambienti in cui la temperatura può raggiungere o superare 50 °C.
7. Non smaltire la batteria nel fuoco, nemmeno se è gravemente danneggiata o del tutto esausta. La batteria può esplodere se esposta al fuoco.
8. Evitare di far cadere o di colpire la batteria.
9. Non utilizzare una batteria danneggiata.

CONSERVARE QUESTE ISTRUZIONI.

Suggerimenti per il prolungamento della durata della batteria

1. **Caricare la batteria prima che sia completamente scarica.**
Interrompere il lavoro e caricare la batteria se si nota una diminuzione di potenza dell'utensile.
2. **Non ricaricare una batteria completamente carica.**
Una ricarica eccessiva riduce la vita utile della batteria.
3. **Caricare la batteria a una temperatura ambiente compresa tra 10 °C e 40 °C.** Attendere il raffreddamento della batteria prima di caricarla.

Informazioni generali sulla chiodatrice (Fig. 2)

DESCRIZIONE FUNZIONALE

ATTENZIONE:

- Prima di regolare o controllare il funzionamento dell'utensile, rimuovere la cella a combustibile, la batteria e i chiodi.

Inserimento e rimozione della batteria

ATTENZIONE:

- Prima di inserire o rimuovere la batteria, spegnere sempre l'utensile.
- **Durante l'inserimento o la rimozione della batteria, tenere saldamente l'utensile e la batteria stessa.** In caso contrario potrebbero scivolare dalle mani, causando danni all'utensile e alla batteria o lesioni personali. (Fig. 3)

Per installare la batteria, tenerla in modo tale da adattarne la forma anteriore all'apertura per l'installazione e far scivolare la batteria in posizione. Inserire a fondo la batteria fino a bloccarla in posizione con uno scatto. (Fig. 4)

Per rimuovere la batteria, estrarla dall'utensile premendo su entrambi i lati della batteria.

ATTENZIONE:

- Inserire la batteria completamente fino a bloccarla in posizione con uno scatto. In caso contrario la batteria potrebbe fuoriuscire accidentalmente dall'utensile, provocando danni all'operatore o a eventuali osservatori.
- Non forzare l'inserimento della batteria. Se la batteria non scorre agevolmente, significa che la manovra di inserimento non è corretta.

Accensione della lampada

ATTENZIONE:

- Non osservare direttamente la luce o la sorgente luminosa. (Fig. 5)
- Per accendere la lampada, premere l'apposito pulsante. Per spegnere la lampada, premere di nuovo l'apposito pulsante.

Cella a combustibile

Collegamento della valvola di misurazione alla cella a combustibile (Fig. 6)

Rimuovere il coperchio (se la valvola di misurazione ne è provvista). (Fig. 7)

Spingere dentro l'estremità anteriore. (Fig. 8)

Spingere dentro l'estremità posteriore finché questa non scivola in posizione.

Inserimento della cella a combustibile (Fig. 9)

Per aprire, spingere verso l'alto e tirare il copricella. (Fig. 10)

Inserire la cella a combustibile dirigendo l'ugello della valvola di misurazione verso l'adattatore. (Fig. 11)

Inserire correttamente l'ugello nel piccolo foro dell'adattatore. (Fig. 12)

Disporre il copricella sulla valvola di misurazione e spingerlo in basso per chiuderlo.

Regolazione della profondità di chiodatura

ATTENZIONE:

- Prima di regolare la profondità di chiodatura rimuovere la cella a combustibile, la batteria e i chiodi. (Fig. 13)
Per ottenere una profondità minore, ruotare il regolatore verso destra come mostrato in figura. Ruotare il regolatore verso sinistra per ottenere una profondità maggiore.
Non ruotare eccessivamente il regolatore per evitare di incastrarlo.

Spia luminosa

Il colore della spia luminosa ha il seguente significato.

Verde lampeggiante: stato normale

Rosso lampeggiante: la batteria deve essere ricaricata

Rosso acceso: ricaricare la batteria. Non è possibile eseguire la chiodatura per mancanza di carica della batteria.

Arancione lampeggiante: Si raccomanda una pulizia accurata. Far riferimento alla sezione "MANUTENZIONE" per una pulizia accurata all'interno dell'utensile. Per interrompere l'arancione lampeggiante della spia luminosa, spingere l'elemento di contatto per cinque secondi, poi spingerlo per cinque volte.

Arancione lampeggiante dopo verde e rosso

lampeggianti alternativamente: è in corso la ricerca di guasti. Per ripristinare, estrarre e reinserire la batteria. Se viene di nuovo avviata la ricerca di guasti, si tratta di una condizione di malfunzionamento. Rivolgersi al centro di assistenza Makita di zona per la riparazione.

Gancio

ATTENZIONE:

Rimuovere sempre la batteria quando si appende l'utensile: non appendere l'utensile alla propria cintura. (Fig. 14)

Il gancio è utile per appendere temporaneamente l'utensile.

Il gancio può essere disposto in due posizioni, a seconda di dove l'utensile andrà agganciato.

Per cambiare la posizione del gancio, premere alla base spingendo da entrambi i lati e spostarlo nella nuova posizione.

MONTAGGIO

⚠ ATTENZIONE:

- Rimuovere sempre la cella a combustibile e la batteria prima di eseguire qualsiasi operazione sull'utensile.

Caricamento della chiodatrice (Fig. 15)

Inserire un nastro di chiodi nella fessura posteriore dello scomparto. L'apposito fermo blocca i chiodi all'ingresso dello scomparto. Sbloccare lo scomparto premendo il pulsante del fermo per inserire i chiodi. (Fig. 16)

Tirare la leva del dispositivo di spinta e premere il pulsante a pressione fino a raggiungere l'estremità posteriore dello scomparto, quindi rilasciare il pulsante a pressione e riposizionare delicatamente la leva del dispositivo di spinta alla fine del nastro.

Rimozione dei chiodi (Fig. 17)

Tirare la leva del dispositivo di spinta e premere il pulsante a pressione per rilasciare il supporto dei chiodi, quindi riportare in alto la leva del dispositivo di spinta tenendo premuto il pulsante a pressione.

Far scorrere i chiodi verso la parte posteriore dello scomparto. L'apposito fermo blocca i chiodi all'ingresso dello scomparto. Sbloccare lo scomparto premendo il pulsante del fermo per rimuovere i chiodi.

Cambio dello scomparto (accessorio) (Fig. 18)

È disponibile come accessorio uno scomparto di lunghezza diversa.

Per effettuare la sostituzione allentare il bullone e rimuovere lo scomparto, quindi installare il nuovo scomparto e stringere l'apposito bullone.

USO

⚠ AVVERTENZA:

- **Non toccare l'area dell'apertura di ventilazione.** La superficie diventa molto calda durante o dopo il funzionamento. Toccare l'area intorno all'apertura di ventilazione potrebbe causare ustioni o ferite.

⚠ ATTENZIONE:

- Accertarsi che tutti i sistemi di sicurezza funzionino correttamente prima dell'uso (Fig. 19).
1. Per inserire un chiodo, disporre l'elemento di contatto contro il pezzo.
Il motore della ventola viene attivato, il gas viene iniettato nella camera di combustione e miscelato con l'aria dalla ventola. (Fig. 20)
 2. Premere con forza l'elemento di contatto e premere il grilletto.
Il gas viene bruciato, espellendo il chiodo.
 3. Per attivare un'altra espulsione occorre rilasciare sia l'elemento di contatto che il grilletto.

Chiodatura del cemento

⚠ AVVERTENZA:

- Utilizzare chiodi temprati solo per il cemento. L'utilizzo di chiodi per altri impieghi potrebbe causare lesioni gravi. Non eseguire la chiodatura direttamente sul cemento. In caso contrario, frammenti di cemento potrebbero volare via oppure i chiodi potrebbero rimbalzare causando lesioni gravi.
 - Quando si sparano chiodi, tenere l'utensile in posizione verticale rispetto alla superficie di chiodatura. Se i chiodi vengono sparati in diagonale potrebbero volare via dei frammenti di cemento, oppure i chiodi potrebbero rimbalzare causando lesioni gravi.
 - Non utilizzare l'utensile con superfici di sostegno di altri oggetti, ad esempio aree dove sono situati ganci per tubi di scarico, tubi antistatici e così via.
- Scegliere e utilizzare appositi chiodi per ottenere una penetrazione nel cemento di 15 mm - 20 mm (Fig. 21).

⚠ ATTENZIONE:

- Utilizzare l'utensile soltanto per il cemento morbido posato in tempi recenti. L'utilizzo sul cemento duro potrebbe causare la piegatura dei chiodi o una chiodatura di profondità insufficiente.
- Quando la penetrazione richiesta è superiore a 20 mm, potrebbe essere impossibile eseguire una chiodatura di lunghezza sufficiente. I chiodi potrebbero essere sparati troppo in superficie, causando l'instabilità del pezzo in lavorazione con conseguente rischio di lesioni personali e danni alla proprietà.

Meccanismo contro l'azionamento in bianco

Questo meccanismo evita l'azionamento a vuoto quando l'utensile è privo di chiodi.

La prevenzione contro il funzionamento a vuoto entra automaticamente in funzione quando rimangono 2-3 chiodi.

Inceppamento della chiodatrice

⚠ AVVERTENZA:

- Prima di rimuovere un inceppamento rimuovere sempre la cella a combustibile e la batteria.

⚠ ATTENZIONE:

- Non utilizzare chiodi deformati o nastri di chiodi. In caso contrario si potrebbe verificare un'alimentazione insufficiente dei chiodi.

Seguire la procedura di rimozione dei chiodi e rimuovere i chiodi inceppati. (Fig. 22)

Rimuovere la cella a combustibile, la batteria e i chiodi.

Allentare il bullone dello scomparto. Rimuovere lo scomparto ed estrarre i chiodi inceppati. (Fig. 23)

Se risulta impossibile rimuovere i chiodi mediante questa procedura, attenersi a quanto segue.

Inserire un'asticciola o un oggetto simile nel foro di espulsione e colpire con un martello per fare uscire il chiodo inceppato dal foro di espulsione. (Fig. 24 e 25)

Se il chiodo non fuoriesce dal foro di espulsione, procedere come segue.

Allentare i bulloni del foro di espulsione servendosi di una chiave esagonale. Rimuovere la guida inferiore ed estrarre i chiodi inceppati.

Riposizionare la guida inferiore e stringere i bulloni dopo la rimozione dei chiodi inceppati.

Riposizionare lo scomparto e stringere il bullone.

MANUTENZIONE

ATTENZIONE:

- Prima di ogni controllo o manutenzione rimuovere sempre la cella a combustibile, la batteria e i chiodi.
- Evitare assolutamente di usare benzina, diluenti, solventi, alcol o sostanze simili. In caso contrario, potrebbero verificarsi scoloriture, deformazioni o incrinature.

Manutenzione giornaliera

Alla fine dell'uso giornaliero occorre svolgere le normali operazioni di manutenzione giornaliera.

Questi semplici passi contribuiscono a preservare la sicurezza e il rendimento dell'utensile.

Prima di lasciare il luogo di lavoro:

- Rimuovere la batteria e riporla in una custodia per l'utensile. Utilizzare sempre la custodia per il trasporto e lo stoccaggio dell'utensile.
- Smaltire tutte le celle vuote, rotte, forate o bruciate in punti non accessibili ai bambini.

Arrivati a casa:

- Inserire la batteria nel caricabatteria se la spia rossa indica un basso livello di carica.
- Strofinare l'utensile con un panno morbido e pulito.
- Ispezionare il filtro e pulirlo se presenta residui di polvere.

Pulizia del filtro dell'aria (Fig. 26 e 27)

Premere leggermente verso l'alto il coperchio del filtro e rimuoverlo, quindi estrarre il filtro.

Scuotere leggermente il filtro per rimuovere le impurità. Il filtro viene riportato quasi a nuovo con acqua e sapone.

Per preservare la SICUREZZA e l'AFFIDABILITÀ del prodotto, qualsiasi riparazione o intervento di manutenzione e regolazione deve essere eseguito dai centri assistenza autorizzati Makita utilizzando sempre ricambi Makita.

Pulizia accurata

Se si verificano funzionamenti a vuoto frequenti, l'utensile deve essere pulito con cura.

Per ulteriori dettagli e per eseguire la pulizia, consultare l'apposita guida.

Per ogni dubbio riguardo la pulizia, si prega di rivolgersi al centro di assistenza Makita di zona.

ACCESSORI OPZIONALI

ATTENZIONE:

- Si consiglia l'uso dei seguenti accessori per l'utensile Makita descritto in questo manuale. L'uso di qualsiasi altro accessorio potrebbe provocare lesioni personali. Utilizzare gli accessori esclusivamente per l'uso dichiarato.

Per l'assistenza e per ulteriori informazioni su tali accessori, rivolgersi al centro assistenza Makita di zona.

- Chiodi
- Scomparto

- Occhiali di sicurezza
- Cella a combustibile
- Kit di pulizia
- Batteria e caricabatteria originali Makita

NOTA:

- Alcuni degli accessori elencati potrebbero essere inclusi nella confezione dell'utensile come accessori standard. Gli accessori standard possono differire da paese a paese.

Rumore

ENG905-1

Il tipico livello di rumore ponderato A è determinato in conformità alla norma EN792:

Livello di pressione sonora (L_{pA}): 89 dB (A)

Livello di potenza sonora (L_{WA}): 102 dB (A)

Variatione (K): 3 dB (A)

Indossare una protezione acustica

Vibrazioni

ENG904-2

Il valore totale delle vibrazioni è determinato in conformità alla norma EN792:

Emissione di vibrazioni (a_h): 3,5 m/s²

Variatione (K): 1,5 m/s²

ENG901-1

- Il valore di emissione delle vibrazioni dichiarato è stato misurato in conformità con il metodo di test standard e può essere utilizzato per confrontare tra loro diversi utensili.
- Il valore dell'emissione delle vibrazioni dichiarato può anche essere usato per stime preliminari dell'esposizione.

AVVERTENZA:

- L'emissione delle vibrazioni durante l'uso effettivo dell'utensile elettrico può risultare diversa rispetto al valore dichiarato, in base alla modalità d'uso dell'utensile.
- Assicurarsi di individuare le necessarie misure di sicurezza per proteggere l'operatore in base a una stima dell'esposizione nelle condizioni reali di utilizzo (prendendo in considerazione tutte le fasi del ciclo operativo, come quante volte l'utensile viene spento e i periodi in cui rimane inattivo, oltre al tempo di avviamento).

Solo per i paesi europei

ENH003-14

Dichiarazione di conformità CE

Makita Corporation, in qualità di produttore responsabile, dichiara che gli utensili Makita indicati di seguito:

Denominazione della macchina:

Chiodatrice a batteria per cemento

N. modello/ Tipo: GN420C

appartengono a una produzione in serie e sono conformi alle seguenti direttive europee:

2006/42/EC

Sono inoltre prodotte in conformità con gli standard o i documenti standardizzati riportati di seguito:

EN792, EN60745

La documentazione tecnica viene conservata da:
Makita International Europe Ltd.
Technical Department,
Michigan Drive, Tongwell,
Milton Keynes, Bucks MK15 8JD, Inghilterra

29. 03. 2012



Tomoyasu Kato
Direttore
Makita Corporation
3-11-8, Sumiyoshi-cho,
Anjo, Aichi, 446-8502, JAPAN

NEDERLANDS (Originele instructies)

Verklaring van het onderdelenoverzicht

- | | | |
|--------------------------------|---------------------|--------------------------------|
| 1. Veiligheidsbril | 10. Lampje | 19. Haak |
| 2. Spatscherm | 11. Indicatorlampje | 20. Nagelstopper |
| 3. Deksel van brandstofpatroon | 12. Accu | 21. Bout |
| 4. Trekker | 13. Knop | 22. Dunne staalplaat |
| 5. Magazijn | 14. Lampknop | 23. Doordringdiepte in beton |
| 6. Aandrukkerhendel | 15. Meetklep | 24. Onderste stootgeleider |
| 7. Aandrukkerknop | 16. Dop | 25. Deksel van het luchtfilter |
| 8. Contactschoen | 17. Sputmond | 26. Filter |
| 9. Luchtuitlaatopening | 18. Stelknop | |

TECHNISCHE GEGEVENS

Model	GN420C	
Nagelcapaciteit	20 nagels (2 strip)	40 nagels (4 strip)
Afmetingen (l x b x h)	315 mm X 108 mm X 390 mm	430 mm X 108 mm X 390 mm
Nettogewicht	3,6 kg	3,8 kg
Nagellengte en diameter	Nagellengte: 15 mm - 40 mm, diameter: 2,6 mm - 3,1 mm	
Nominale spanning	7,2 V gelijkstroom	

- Als gevolg van ons doorlopende onderzoeks- en ontwikkelingsprogramma, zijn de technische gegevens van dit gereedschap onderhevig aan veranderingen zonder voorafgaande kennisgeving.
- Specificaties en accu's kunnen van land tot land verschillen.
- Gewicht, inclusief de accu, volgens de EPTA-procedure 01/2003

Symbolen

END107-7

Hieronder staan de symbolen die voor het gereedschap worden gebruikt. Zorg ervoor dat u weet wat ze betekenen alvorens de accu te gebruiken.



... Lees de gebruiksaanwijzing.



..... De houder staat onder druk. Houd deze uit de buurt van temperaturen hoger dan 50° C (bijv. zonnestralen). Bewaar de houder in een goed geventileerde ruimte.



..... Gebruik alleen buiten of in een goed geventileerde ruimte. Adem het gas niet in.



..... Gebruik niet in de buurt van open vuur of spuitvloeistoffen op warme oppervlakken. Tijdens het gebruik kan een brandbaar of explosief damp-luchtmengsel worden gevormd.



..... Ook na gebruik mag u de houder niet beschadigen, doorboren of verbranden.



..... Draag een veiligheidsbril.



..... Houd uw vingers uit de buurt van de trekker wanneer u niet wilt nagelen om het per ongeluk afschieten van nagels te voorkomen.



..... Gebruik uitsluitend op geventileerde plaatsen om misselijkheid en flauwvallen te voorkomen. Gebruik het gereedschap nooit in een omgeving met brandbare

materialen. De uitlaat van het gereedschap kan de brandbare materialen doen ontbranden.



..... Gebruik het gereedschap niet op een steiger of ladder.



..... Waarschuwing: heet oppervlak!
Raak het gereedschap niet aan rond dit symbool. Door het oppervlak aan te raken kunnen brandwonden ontstaan.



..... Alleen voor EU-landen
Geef elektrisch gereedschap en accu's niet met het huisvuil mee!
Volgens de Europese richtlijn inzake oude elektrische en elektronische apparaten, en inzake batterijen en accu's, en de toepassing daarvan binnen de nationale wetgeving, dienen elektrisch gereedschap, accu's en batterijen die het einde van hun levensduur hebben bereikt, gescheiden te worden ingezameld en te worden afgevoerd naar een recyclebedrijf dat voldoet aan de geldende milieueisen.

Gebruiksdoeleinden

ENE072-1

Het gereedschap is bedoeld om een dunne staalplaat op beton te bevestigen.

Algemene veiligheidswaarschuwingen voor elektrisch gereedschap

GEA010-1

⚠ WAARSCHUWING Lees alle veiligheidswaarschuwingen en alle instructies. Het niet volgen van de waarschuwingen en instructies kan leiden tot elektrische schokken, brand en/of ernstig letsel.

Bewaar alle waarschuwingen en instructies om in de toekomst te kunnen raadplegen.

Veiligheidswaarschuwingen specifiek voor een accunagelpistool-/nietpistool

ENB111-4

⚠ WAARSCHUWING Lees alle veiligheidswaarschuwingen en alle instructies. Het niet volgen van de waarschuwingen en instructies kan leiden tot ernstig letsel, elektrische schokken en/of brand.

Bewaar alle waarschuwingen en instructies om in de toekomst te kunnen raadplegen.

Omwillen van uw persoonlijke veiligheid en de juiste werking en onderhoud van het gereedschap, leest u deze gebruiksaanwijzing alvorens het gereedschap te gebruiken.

Algemene veiligheid

- Laat personen zonder onderricht het gereedschap niet gebruiken.
- Speel er niet mee. Respecteer het gereedschap als werkinstrument.
- Bedien het gereedschap niet onder invloed van alcohol, drugs en dergelijke.
- Breng nooit wijzigingen aan in het gereedschap.

Persoonlijke-veiligheidsuitrusting

- Draag altijd een veiligheidsbril om uw ogen te beschermen tegen letsel door stof of bevestigingsmiddelen.
- **⚠ WAARSCHUWING:** Het is de verantwoordelijkheid van de werkgever om ervoor te zorgen dat veiligheidsmiddelen voor oogbescherming gebruikt worden door de gebruikers van het gereedschap en anderen in de onmiddellijke omgeving van de werkplek.
- **Alleen voor Australië en Nieuw-Zeeland**
Draag altijd een veiligheidsbril en spatscherm om uw ogen te beschermen tegen letsel door stof of bevestigingsmiddelen. De veiligheidsbril en het spatscherm dienen te voldoen aan de vereisten van AS/NZS 1336 (zie afb. 1).
- Draag gehoorbescherming om uw oren te beschermen tegen het uitlaatgeluid en draag hoofdbescherming. Draag tevens lichte maar geen losse kleding. Manchetten moeten dichtgeknoopt zijn of de mouwen moeten worden opgerold. Draag geen stropdas.

Veiligheid op de werkplek

- Gebruik het gereedschap nooit in een gesloten of slecht geventileerde ruimte. Anders kan koolmonoxide duizeligheid, misselijkheid of verlies van bewustzijn veroorzaken.
- Houd uw werkplek schoon en zorg voor goede verlichting. Op een rommelige of donkere werkplek gebeuren vaker ongelukken.
- Bedien het gereedschap niet in een omgeving met explosiegevaar, zoals een omgeving met explosieve vloeistoffen, gassen of stof. Door het gereedschap te bedienen, kunnen vonken ontstaan die de dampen of het stof kunnen ontsteken.
- Houd kinderen en omstanders uit de buurt tijdens het gebruik van gereedschap. Door afleiding kunt u de controle over het gereedschap verliezen.
- Zorg voor voldoende verlichting van het werkgebied.
- Er kunnen plaatselijk regels gelden met betrekking tot geluid, waaraan u zich dient te houden door de geluidsproductie onder het voorgeschreven niveau te houden. In bepaalde gevallen moeten geluidsschermen worden gebruikt om het geluidsniveau te beperken.

Veiligheidsvoorzieningen

- Controleer voor gebruik dat alle beveiligingssysteem goed werken. Het gereedschap mag niet werken als alleen de trekker wordt ingeknepen of als alleen de contactschoen op het hout wordt gedrukt. Het gereedschap mag alleen werken als beide handelingen tegelijkertijd worden uitgevoerd. Test op mogelijke defecte werking wanneer geen bevestigingsmiddelen zijn geladen en de aandrukker helemaal uitgetrokken is.
- Speel niet met de contactschoen: het voorkomt per ongeluk afgaan, dus moet het blijven zitten en mag niet worden verwijderd. De trekker in ingeschakelde stand vergrendelen is ook erg gevaarlijk. Probeer nooit de trekker vast te zetten. Bedien het gereedschap niet als enig onderdeel van de bedieningselementen van het gereedschap niet kan worden bediend, is losgekoppeld, gewijzigd of niet goed werkt.
- Probeer niet de contactschoen voortdurend ingedrukt te houden met tape of draad. Dit kan leiden tot de dood of ernstig letsel.
- Controleer altijd de contactschoen volgens de instructies in deze gebruiksaanwijzing. Als het veiligheidsmechanisme niet goed werkt, kunnen bevestigingsmiddelen per ongeluk worden geschoten.

Bevestigingsmiddelen laden

- Laad geen nagels in het gereedschap wanneer een van de bedieningselementen is ingeschakeld.
- Gebruik uitsluitend bevestigingsmiddelen die in deze gebruiksaanwijzing worden aangegeven. Door een ander soort bevestigingsmiddel te gebruiken, kan een storing in het gereedschap worden veroorzaakt.

Voeding

- Gebruik het gereedschap uitsluitend met een origineel Makita-brandstofpatroon.
- Raak het vloeibare gas dat uit de brandstofpatroon spuit niet aan. Aanraking kan leiden tot letsel.
- Risico van brand en explosie Wanneer u de brandstofpatroon hanteert om hem in het gereedschap

- te plaatsen of eruit te verwijderen, te bewaren, te vervoeren of weg te gooien:
 - mag u hem niet blootstellen aan zonlicht en temperaturen hoger dan 50 °C;
 - mag u niet roken, en
 - vermijdt u vonken en open vuur.
- Verwijder altijd de accu en verwijder alle bevestigingsmiddelen:
 - als u het gereedschap onbeheerd achterlaat;
 - alvorens enige onderhouds- of reparatiewerkzaamheden uit te voeren;
 - alvorens vastgelopen bevestigingsmiddelen te verwijderen, en
 - alvorens het gereedschap naar een andere plaats over te brengen.

Bedrijfsveiligheid

- Controleer voor gebruik het gereedschap altijd eerst op algehele conditie en loszittende schroeven. Draai deze zo nodig vast.
- Hanteer het gereedschap voorzichtig, aangezien er binnenin het gereedschap een hoge druk is die gevaar oplevert als een barst ontstaat door grove behandeling (laten vallen of stoten). Probeer niet in het gereedschap te snijden of graven.
- Stop onmiddellijk met bevestigen als u een probleem of iets vreemds opmerkt aan het gereedschap. Als het gereedschap niet juist werkt, mag het niet worden gebruikt.
- Richt de schietmond nooit op iemand in de buurt. Houd handen en voeten uit de buurt van de schietmond.
- Ga er altijd vanuit dat in het gereedschap bevestigingsmiddelen zitten.
- Richt het gereedschap niet op uzelf of anderen, ongeacht of er bevestigingsmiddelen in zitten of niet.
- Ga niet haastig te werk en forceer het gereedschap niet. Wees voorzichtig wanneer u het gereedschap hanteert.
- Schakel het gereedschap niet in als dit niet stevig tegen het werkstuk wordt gedrukt.
- Houd het gereedschap nooit vast en draag het nooit met een vinger om de trekker, en rijk het niet iemand aan op deze manier. Als de trekker per ongeluk wordt ingeknepen, kan ernstig letsel ontstaan.
- Gebruik nooit elektrisch bevestigingsgereedschap met daarop het symbool "Niet gebruiken op steigers en ladders" bij bepaalde toepassingen, bijvoorbeeld:
 - als bij het veranderen van een werkplek naar de volgende, gebruik gemaakt wordt van een steiger, trap, ladder of soortgelijke constructies, bijv. daklatten;
 - bij het sluiten van dozen of kratten, en
 - bij het monteren van transportbeveiligingssysteem, bijv. op voertuigen en aanhangers.
- Controleer muren, plafonds, vloeren en dergelijke grondig om te voorkomen dat door het nagelen in elektrische draden, pijpen of gasleidingen een elektrische schok, gaslek, explosie, enz., kan ontstaan.
- Gebruik het gereedschap niet voor het bevestigen van elektriciteitskabels. Het is niet ontworpen voor de installatie van elektriciteitskabels en kan de isolatie van de kabels beschadigen en hierdoor elektrische schokken of brandgevaar veroorzaken.

- Zorg ervoor dat u tijdens het gebruik van het gereedschap stevig staat en uw evenwicht goed bewaart. Controleer dat er niemand onder u staat wanneer u op een hoge plaats werkt om gevaarlijke situaties te voorkomen als u plotseling uit balans raakt.
- Op daken en andere hoge plaatsen brengt u de bevestigingsmiddelen aan terwijl u voorwaarts beweegt. U glijdt gemakkelijk weg als u bevestigingsmiddelen aanbrengt terwijl u achterwaarts kruipt. Als u in een rechtopstaande ondergrond bevestigingsmiddelen aanbrengt, werkt u van boven naar beneden. U kunt op deze manier bevestigingsmiddelen aanbrengen zonder snel vermoeid te raken.
- Een bevestigingsmiddel zal krom gaan of het gereedschap kan vastlopen als u per ongeluk een bevestigingsmiddel aanbrengt bovenop een andere bevestigingsmiddel of in een knoest in het hout. Het bevestigingsmiddel kan wegschieten en iemand raken, of het gereedschap zelf kan gevaarlijk terugslaan. Kies de plaats voor de bevestigingsmiddelen met zorg.
- Probeer nooit zowel van binnenuit als van buitenaf bevestigingsmiddelen aan te brengen. De bevestigingsmiddelen kunnen er dwars doorheen schieten of afketsen en een groot gevaar opleveren.

Reparatie

- Voer de reinigings- en onderhoudswerkzaamheden uit onmiddellijk nadat het werk is voltooid. Houd het gereedschap in optimale conditie. Smeer bewegende delen om roesten te voorkomen en slijtage door wrijving te minimaliseren. Veeg alle stof van de onderdelen af.
- Vraag een erkend Makita-servicecentrum regelmatig het gereedschap te inspecteren.
- Om de VEILIGHEID en BETROUWBAARHEID van het gereedschap te handhaven, dienen alle reparaties en onderhoud te worden uitgevoerd door een erkend Makita-servicecentrum, en altijd met gebruikmaking van originele Makita-ervangingsonderdelen.

BEWAAR DEZE INSTRUCTIES



WAARSCHUWING:

Laat u NIET misleiden door een vals gevoel van comfort en bekendheid met het gereedschap (na veelvuldig gebruik) en neem alle veiligheidsvoorschriften van het betreffende product altijd strikt in acht. VERKEERD GEBRUIK of het niet volgen van de veiligheidsinstructies in deze gebruiksaanwijzing kan leiden tot ernstig persoonlijk letsel.

BELANGRIJKE VEILIGHEIDSINSTRUCTIES ENC009-1

VOOR ACCU'S

1. **Alvorens de accu in gebruik te nemen, leest u eerst alle instructies en waarschuwingsopdrachten op (1) de acculader, (2) de accu en (3) het apparaat waarin de accu wordt aangebracht.**
2. **Haal de accu niet uit elkaar.**

3. Als de gebruikstijd aanzienlijk korter is geworden, stopt u onmiddellijk met het gebruik. Anders kan dit leiden tot kans op oververhitting, mogelijke brandwonden en zelfs een explosie.
4. Als de elektrolyt in uw ogen komt, wast u deze uit met schoon water en raadpleegt u onmiddellijk een arts. Dit kan leiden tot verlies van gezichtsvermogen.
5. Sluit de accu niet kort:
 - (1) Raak de accupolen niet aan met enig geleidend materiaal.
 - (2) Bewaar de accu niet op een plaats waar deze in aanraking kan komen met andere metalen voorwerpen, zoals spijkers, munten, enz.
 - (3) Stel de accu niet bloot aan water of regen. Kortsluiting van de accu kan leiden tot een hoge stroomsterkte, oververhitting, mogelijke brandwonden en zelfs een defect.
6. Bewaar het gereedschap en de accu niet op plaatsen waar de temperatuur kan oplopen tot 50 °C of hoger.
7. Werp de accu niet in een vuur, zelfs niet als deze al ernstig beschadigd of helemaal versleten is. De accu kan in een vuur exploderen.
8. Wees voorzichtig dat u de accu niet laat vallen of ergens tegenaan stoot.
9. Gebruik nooit een beschadigde accu.

BEWAAR DEZE INSTRUCTIES

Tips voor een lange levensduur van de accu

1. Laad de accu op voordat deze volledig leeg is. Wanneer u merkt dat het gereedschap minder vermogen heeft, stopt u met het gebruik ervan en laadt u eerst de accu op.
2. Laad nooit een volledig opgeladen accu op. Te lang opladen verkort de levensduur van de accu.
3. Laad de accu op bij een omgevingstemperatuur van 10 °C tot 40 °C. Laat een warme accu eerst afkoelen voordat u deze oplaadt.

Overzicht van het nagelpistool (zie afb. 2)

BESCHRIJVING VAN DE FUNCTIES

⚠ LET OP:

- Verwijder altijd de brandstofpatroon, de accu en alle nagels alvorens het gereedschap in te stellen of de werking ervan te controleren.

De accu aanbrengen of verwijderen

⚠ LET OP:

- Schakel het gereedschap altijd uit voordat u de accu aanbrengt of verwijdert.
- Houd het gereedschap en de accu stevig vast tijdens het aanbrengen of verwijderen van de accu. Als u het gereedschap en de accu niet stevig vasthoudt, kunnen deze uit uw handen glippen en

beschadigd raken, of kan persoonlijk letsel worden veroorzaakt (zie afb. 3).

Om de accu aan te brengen, houdt u de accu zodanig vast dat de vorm aan de voorkant van de accu past in de accuplaatsingsopening, en schuift u de accu op zijn plaats. Steek de accu zo ver mogelijk erin tot u een klikgeluid hoort (zie afb. 4).

Om de accu te verwijderen, drukt u beide zijkanalen van de accu in en trekt u tegelijkertijd de accu van het gereedschap af.

⚠ LET OP:

- Steek de accu altijd zo ver mogelijk in het gereedschap totdat deze met een klik wordt vergrendeld. Als u dit niet doet, kan de accu per ongeluk uit het gereedschap vallen en u of anderen in uw omgeving verwonden.
- Breng de accu niet met kracht aan. Als de accu niet gemakkelijk erin kan worden geschoven, wordt deze niet goed aangebracht.

De lamp inschakelen

⚠ LET OP:

- Kijk niet rechtstreeks in de lamp of naar de bron van het licht (zie afb. 5).
- Druk op de lampknop om de lamp in te schakelen. Druk nogmaals op de lampknop om de lamp uit te schakelen.

Brandstofpatroon

De meetklep op de brandstofpatroon aanbrengen (zie afb. 6)

Verwijder de dop (in het geval de meetklep met een dop wordt geleverd) (zie afb. 7).

Duw de voorrand omlaag (zie afb. 8).

Duw de achterrand omlaag tot deze op zijn plaats vastzit.

De brandstofpatroon aanbrengen (zie afb. 9)

Duw omhoog en trek aan het deksel van de brandstofpatroon om deze te verwijderen (zie afb. 10).

Plaats de brandstofpatroon in het gereedschap met de spuitmond van de meetklep in de richting van de adapter (zie afb. 11).

Steek de spuitmond stevig in de kleine opening van de adapter (zie afb. 12).

Plaats het deksel van de brandstofpatroon over de meetklep en druk het omlaag om het vast te zetten.

De nageldiepte instellen

⚠ LET OP:

- Verwijder altijd de brandstofpatroon, de accu en alle nagels alvorens de nageldiepte in te stellen (zie afb. 13).

Voor een geringere nageldiepte, draait u de stelknop naar rechts, zoals aangegeven in de afbeelding. Voor een grotere nageldiepte, draait u de stelknop naar links.

Draai de stelknop niet te ver omdat de stelknop dan vast kan komen te zitten.

Indicatorlampje

De kleur van het indicatorlampje heeft de volgende betekenissen:

Knippert groen: Dit is de normale toestand.

Knippert rood: De accu moet worden opgeladen.

Brandt rood: Laad de accu op. U kunt niet meer nagelen omdat de accu leeg is.

Knippert oranje: Een grondige reiniging wordt aanbevolen. Raadpleeg het hoofdstuk "ONDERHOUD" om de binnenkant van het gereedschap grondig te reinigen. Om het oranje knipperen van het indicatorlampje terug te stellen, houdt u de contactschoen gedurende vijf seconden ingedrukt en vervolgens drukt u de contactschoen vijf keer in.

Knippert oranje na afwisselend groen en rood te hebben geknipperd: De storingsdetectie is in werking getreden. Haal de accu uit het gereedschap en plaats deze weer terug om terug te stellen. Als de storingsdetectie opnieuw in werking treedt, is een storing opgetreden. Vraag uw plaatselijke Makita-servicecentrum om hem te repareren.

Haak

LET OP:

Verwijder altijd de accu wanneer u het gereedschap ophangt. Hang het gereedschap niet aan uw gordel (**zie afb. 14**).

De haak is handig om het gereedschap tijdelijk aan op te hangen.

De haak kan in twee standen worden gezet, afhankelijk van waar het gereedschap wordt opgehangen. Om naar de andere stand te veranderen, knijpt u de voet van de haak aan beide zijanten in, en verplaatst u de haak naar de andere stand.

ONDERDELEN AANBRENGEN/ VERWIJDEREN

LET OP:

- Verwijder altijd de brandstofpatroon en de accu alvorens enige werkzaamheden aan het gereedschap uit te voeren.

Nagels laden (zie afb. 15)

Plaats een strip nagels in de gleuf in de achterkant van het magazijn. De nagels stoppen bij de ingang van het magazijn vanwege de nagelstopper. Ontgrendel het magazijn door de knop van de nagelstopper in te drukken en plaats de nagels (**zie afb. 16**).

Houd de aandrukkerknop ingedrukt en trek tegelijkertijd de aandrukkerhendel helemaal naar de achterkant van het magazijn. Laat dan de aandrukkerknop los en duw daarna de aandrukkerhendel voorzichtig tegen de achterkant van de strip nagels.

Nagels verwijderen (zie afb. 17)

Duw de aandrukkerknop in en trek tegelijkertijd aan de aandrukkerhendel om de nagelsteun te ontgrendelen, en duw daarna de aandrukkerhendel terug naar de voorkant van het magazijn terwijl u de aandrukkerknop ingedrukt houdt.

Schuif de nagels naar de achterkant van het magazijn. De nagels stoppen bij de ingang van het magazijn vanwege de nagelstopper. Ontgrendel het magazijn door de knop van de nagelstopper in te drukken en verwijder de nagels.

Het magazijn vervangen (los verkrijgbaar) (zie afb. 18)

Een magazijn met een andere lengte is los verkrijgbaar als optionele accessoire.

Om het magazijn te vervangen, draait u de bout los en verwijdert u het magazijn. Plaats daarna het nieuwe magazijn en draai de bout van het magazijn vast.

BEDIENING

WAARSCHUWING:

- **Raak het gebied rondom de luchtuitlaatopening niet aan.** Het oppervlak zal erg heet zijn tijdens en vlak na het gebruik. Door het oppervlak rondom de luchtuitlaatopening aan te raken kunnen brandwonden ontstaan.

LET OP:

- Controleer voor gebruik dat alle beveiligingssystemen goed werken (**zie afb. 19**).

1. Om te nagelen, plaatst u de contactschoen op het werkstuk.

De ventilatormotor wordt ingeschakeld, gasvormige brandstof wordt in de verbrandingskamer gespoten en door de ventilator met lucht gemengd (**zie afb. 20**).

2. Houd de contactschoen stevig op het werkstuk gedrukt en knijp de trekker in.

Het brandstof-luchtmengsel wordt ontstoken en de nagel wordt in het werkstuk geschoten.

3. De volgende nagel kan pas worden geschoten nadat eerst de contactschoen en de trekker zijn losgelaten.

Nagelen in beton

WAARSCHUWING:

- Gebruik voor nagelen in beton uitsluitend nagels van gehard staal.

Andere nagels kunnen ernstig letsel veroorzaken. Nagel niet rechtstreeks in het beton. Als u dat toch doet, kunnen stukjes beton wegvliegen of nagels terugketsen, waardoor ernstig letsel kan worden veroorzaakt.

- Houd tijdens het nagelen het gereedschap altijd haaks op het oppervlak van het werkstuk.

Als u schuin nagelt, kunnen stukjes beton wegvliegen of nagels terugketsen, waardoor ernstig letsel kan worden veroorzaakt.

- Gebruik het gereedschap niet op oppervlakken waaraan voorwerpen zijn bevestigd, zoals een plaats waar bevestigingsbeugels voor rioolpijpen, luchtafzuigleidingen, enz., zijn gemonteerd.

Kies en gebruik geschikte nagels die tussen 15 mm en 20 mm in het beton dringen (**zie afb. 21**).

LET OP:

- Gebruik dit gereedschap uitsluitend voor beton dat nog niet zo lang geleden is gestort. Bij gebruik in hard beton kunnen de nagels krom gaan of onvoldoende diep worden geschoten.
- Wanneer de nagels meer dan 20 mm in het beton moeten worden geschoten, is het mogelijk dat ze onvoldoende diep komen. De nagels kunnen te ondiep komen waardoor het werkstuk instabiel wordt en persoonlijk letsel en materiële schade kan worden veroorzaakt.

Droogschietpreventiemechanisme

Dit mechanisme voorkomt dat het gereedschap afgaat zonder dat een nagel aanwezig is.

De droogschietpreventie treedt automatisch in werking wanneer slechts 2 tot 3 nagels resterend.

Vastgelopen nagelpistool

⚠ WAARSCHUWING:

- Verwijder altijd de brandstofpatroon en accu alvorens een verstopping op te heffen.

⚠ LET OP:

- Gebruik geen vervormde nagels of nagelstrippen. Als u dit toch doet, worden de nagels niet goed aangevoerd.

Volg de procedure voor het verwijderen van de nagels en verwijder de vastgelopen nagels (zie afb. 22).

Verwijder de brandstofpatroon, de accu en de nagels.

Draai de bout van het magazijn los. Verwijder het magazijn en verwijder de vastgelopen nagels (zie afb. 23).

Als de nagels niet kunnen worden verwijderd met behulp van de bovenstaande methode, gaat u als volgt te werk. Steek een dunne stang of iets dergelijks in de schietmond en tik er met een hamer op om de vastgelopen nagels uit de schietmond te verwijderen (zie afb. 24 en 25).

Als de nagels nog steeds in de schietmond vastzitten, gaat u als volgt te werk.

Draai de bouten op de schietmond los met behulp van een inbussleutel. Verwijder de onderste stootgeleider en verwijder de vastgelopen nagels.

Plaats de onderste stootgeleider terug en draai de bouten vast nadat de vastgelopen nagels zijn verwijderd.

Plaats het magazijn terug en draai de bout vast.

ONDERHOUD

⚠ LET OP:

- Verwijder altijd de brandstofpatroon, de accu en alle nagels alvorens inspectie- of onderhoudswerkzaamheden uit te voeren.
- Gebruik nooit benzine, wasbenzine, thinner, alcohol, enz. Dit kan leiden tot verkleuren, vervormen of barsten.

Dagelijkse onderhoudswerkzaamheden

Aan het einde van de werkdag, voert u de dagelijkse onderhoudswerkzaamheden uit.

Deze simpele stappen zijn bedoeld om de veiligheid en prestaties van het gereedschap te garanderen.

Alvorens u het werkterrein verlaat:

- Verwijder de accu uit het gereedschap en berg deze op in de draagdoos van het gereedschap. Gebruik altijd de draagdoos van het gereedschap om het gereedschap te vervoeren en op te bergen.
- Gooi alle brandstofpatronen zodanig weg dat ze niet kunnen worden gevonden door kinderen, geplet, doorboord of verbrand.

Nadat u thuis bent:

- Doe de accu in de acculader als deze opgeladen moet worden volgens het rode indicatorlampje.
- Veeg het gereedschap af met een schone, droge doek.
- Controleer het luchtfilter en reinig dit als het stoffig is.

Het luchtfilter reinigen (zie afb. 26 en 27)

Druk licht op het deksel van het luchtfilter en verwijder het. En haal daarna het luchtfilter uit het gereedschap.

Tik zachtjes tegen het luchtfilter om het stof eruit te kloppen. Met zeepsop kunt u het luchtfilter tot bijna in nieuwstaat reinigen.

Om de VEILIGHEID en BETROUWBAARHEID van het gereedschap te handhaven, dienen alle reparaties, onderhoud en afstellingen te worden uitgevoerd door een erkend Makita-servicecentrum, en altijd met gebruikmaking van originele Makita- vervangingsonderdelen.

Grondig reinigen

Als droogschieten vaak voorkomt, betekent dit dat het gereedschap grondig moet worden schoongemaakt.

Raadpleeg de bijgevoegde reinigingsrichtlijn voor meer informatie en reinig het gereedschap grondig.

Als u vragen hebt over het reinigen, neemt u contact op met uw plaatselijk Makita-servicecentrum.

VERKRIJGBARE ACCESSOIRES

⚠ LET OP:

- Deze accessoires of hulpstukken worden aanbevolen voor gebruik met het Makita-gereedschap dat in deze gebruiksaanwijzing wordt beschreven. Het gebruik van andere accessoires of hulpstukken kan gevaar voor persoonlijk letsel opleveren. Gebruik de accessoires of hulpstukken uitsluitend voor de aangegeven gebruiksdoeleinden.

Mocht u meer informatie willen hebben over deze accessoires, dan kunt u contact opnemen met uw plaatselijke Makita-servicecentrum.

- Nagels
- Magazijn
- Veiligheidsbril
- Brandstofpatroon
- Reinigingsset
- Originele Makita-accu en -lader

OPMERKING:

- Sommige items op de lijst kunnen zijn inbegrepen in de doos van het gereedschap als standaard toebehoren. Zij kunnen van land tot land verschillen.

Geluid

ENG905-1

De typische, A-gewogen geluids niveaus zijn gemeten volgens EN792:

Geluidsdruk niveau (L_{pA}): 89 dB (A)

Geluidsvermogen niveau (L_{WA}): 102 dB (A)

Onzekerheid (K): 3 dB (A)

Draag gehoorbescherming

Trillingen

ENG904-2

De trillingstotaalwaarde is bepaald volgens EN792:

Trillingsemisatie (a_{h1}): 3,5 m/s²

Onzekerheid (K): 1,5 m/s²

ENG901-1

- De opgegeven trillingsemisiewaarde is gemeten volgens de standaardtestmethode en kan worden gebruikt om dit gereedschap te vergelijken met andere gereedschappen.

- De opgegeven trillingsemisiewaarde kan ook worden gebruikt voor een beoordeling vooraf van de blootstelling.

⚠ WAARSCHUWING:

- De trillingsemisie tijdens het gebruik van het elektrisch gereedschap in de praktijk kan verschillen van de opgegeven trillingsemisiewaarde afhankelijk van de manier waarop het gereedschap wordt gebruikt.
- Zorg ervoor dat veiligheidsmaatregelen worden getroffen ter bescherming van de operator die zijn gebaseerd op een schatting van de blootstelling onder praktijkomstandigheden (rekening houdend met alle fasen van de bedrijfscyclus, zoals de tijdsduur gedurende welke het gereedschap is uitgeschakeld en stationair draait, naast de ingeschakelde tijdsduur).

Alleen voor Europese landen

ENH003-14

EU-verklaring van conformiteit

Wij, Makita Corporation, als de verantwoordelijke fabrikant, verklaren dat de volgende Makita-machine(s):

Aanduiding van de machine:

Accubetonnagelpistool

Modelnr./Type: GN420C

in serie is geproduceerd en

Voldoet aan de volgende Europese richtlijnen:

2006/42/EC

En is gefabriceerd in overeenstemming met de volgende normen of genormaliseerde documenten:

EN792 en EN60745

De technische documentatie wordt bewaard door:

Makita International Europe Ltd.

Technical Department,

Michigan Drive, Tongwell,

Milton Keynes, Bucks MK15 8JD, Engeland

29. 03. 2012



Tomoyasu Kato

Directeur

Makita Corporation

3-11-8, Sumiyoshi-cho,

Anjo, Aichi, 446-8502, JAPAN

ESPAÑOL (Instrucciones originales)

Explicación de los dibujos

- | | | |
|----------------------------|----------------------------|---|
| 1. Gafas de seguridad | 10. Lámpara | 19. Gancho |
| 2. Careta protectora | 11. Luz indicadora | 20. Tope de clavos |
| 3. Cubierta de combustible | 12. Cartucho de la batería | 21. Perno |
| 4. Disparador | 13. Botón | 22. Placa de acero delgada |
| 5. Depósito alimentador | 14. Botón de la lámpara | 23. Penetración en el concreto |
| 6. Palanca empujadora | 15. Válvula dosificadora | 24. Guía inferior del pasador de arrastre |
| 7. Botón empujador | 16. Tapa | 25. Cubierta del filtro |
| 8. Elemento de contacto | 17. Boquilla | 26. Filtro |
| 9. Orificio de ventilación | 18. Regulador | |

ESPECIFICACIONES

Modelo	GN420C	
Capacidad de clavos	20 clavos (2 tiras)	40 clavos (4 tiras)
Dimensiones (Largo x Ancho x Alto)	315 mm X 108 mm X 390 mm	430 mm X 108 mm X 390 mm
Peso neto	3,6 kg	3,8 kg
Longitud del clavo X diámetro del vástago	Clavo L: 15 mm - 40 mm, d: 2,6 mm - 3,1 mm	
Tensión nominal	CC 7,2 V	


- Debido a nuestro programa continuo de investigación y desarrollo, las especificaciones aquí descritas están sujetas a cambios sin previo aviso.
- Las especificaciones y el cartucho de la batería pueden variar de un país a otro.
- Peso, con el cartucho de la batería, de acuerdo con el procedimiento EPTA 01/2003


Símbolos


END107-7


Se utilizan los siguientes símbolos para el equipo.


Asegúrese de que comprende su significado antes del uso.


 ... Lea el manual de instrucciones.


 Depósito bajo presión, manténgase alejado de lugares con temperaturas superiores a los 50°C (como los sometidos a radiación solar). Mantenga el depósito en un lugar bien ventilado.


 Utilícese sólo en exteriores o habitaciones bien ventiladas. No aspire gas.

 No utilizar cerca de llamas o esprays en superficies calientes. Durante el uso se puede formar una mezcla de aire y vapor inflamable/explosiva.

 No deteriore, perforo o queme el contenedor aunque ya esté vacío.

 Utilice gafas de seguridad.

 Si no está clavando clavos o grapas, mantenga los dedos alejados del disparador para evitar un disparo accidental.

 Utilícese sólo en un área ventilada para evitar náuseas y la pérdida del conocimiento. Nunca utilice la herramienta en atmósferas inflamables.

Las emisiones de la herramienta pueden encender materiales inflamables.



..... No utilizar en andamios o escaleras de mano.



..... Advertencia: ¡superficie caliente! No toque alrededor de este símbolo. Si toca la superficie puede sufrir quemaduras o lesiones.



..... Sólo para países de la Unión Europea
 ¡No deseche el aparato eléctrico o la batería junto con los residuos domésticos!
 De conformidad con la Directiva Europea sobre residuos de aparatos eléctricos y electrónicos, y sobre baterías y acumuladores y el desecho de baterías y acumuladores y su aplicación de acuerdo con la legislación nacional, la herramienta eléctrica y las baterías y paquetes de baterías cuya vida útil haya llegado a su fin se deberán recoger por separado y trasladar a una planta de reciclaje que cumpla con las exigencias ecológicas.

Uso previsto

ENE072-1

La herramienta se ha diseñado para fijar una placa de acero delgada en el concreto.

Advertencias de seguridad generales para herramientas eléctricas

GEA010-1

⚠ ADVERTENCIA Lea todas las advertencias de seguridad y todas las instrucciones. La no observancia de las advertencias y las instrucciones puede provocar descargas eléctricas, incendios y/o lesiones graves.

Guarde todas las advertencias e instrucciones para futuras consultas.

Advertencias de seguridad acerca de la clavadora/grapadora a gas-batería

ENB111-4

⚠ ADVERTENCIA Lea todas las advertencias de seguridad y todas las instrucciones. La no observancia de las advertencias y las instrucciones puede provocar lesiones graves, descargas eléctricas y/o incendios.

Guarde todas las advertencias e instrucciones para futuras consultas.

Por su seguridad personal y para una utilización y un mantenimiento correctos de la herramienta, lea este manual de instrucciones antes de utilizar la herramienta.

Normas generales de seguridad

- No permita que personas no instruidas utilicen la herramienta.
- No juegue con la herramienta. Trate a la herramienta como un útil de trabajo.
- No la utilice bajo la influencia del alcohol, drogas o sustancias similares.
- No fuerce nunca la herramienta.

Equipos de protección personal

- Utilice siempre gafas de seguridad para proteger sus ojos del polvo o de lesiones provocadas por los clavos o las grapas.

⚠ ADVERTENCIA: Es responsabilidad del empleador garantizar que los operarios de la herramienta y otras personas de la zona de trabajo inmediata utilicen equipo de protección ocular.

Para Australia y Nueva Zelanda solamente

- Utilice siempre gafas de seguridad y una careta protectora para proteger sus ojos del polvo o de lesiones provocadas por los clavos o las grapas. Las gafas de seguridad y la careta protectora deben cumplir con los requisitos de AS/NZS 1336. (Fig. 1)
- Utilice protección para la cabeza y protección para los oídos para protegerlos de la emisión de ruidos. Asimismo, lleve ropa ligera pero no suelta. Las mangas deben estar abotonadas o arremangadas. No debe llevarse corbata.

Seguridad del área de trabajo

- Nunca utilice la herramienta en espacios cerrados o mal ventilados. De lo contrario, el monóxido de carbono puede provocar mareos, náuseas o la pérdida de conciencia.

- Mantenga el área de trabajo limpia y bien iluminada. Las áreas oscuras o desordenadas favorecen los accidentes.
- No maneje la herramienta en atmósferas explosivas, tales como aquellas en las que haya presencia de polvo, gases o líquidos inflamables. La utilización de la herramienta puede producir chispas que pueden encender el polvo o los gases.
- Mantenga alejados a los niños y a las personas circundantes durante el manejo de la herramienta. Si se distrae, puede perder el control de la herramienta.
- Mantenga el área de trabajo bien iluminada.
- Puede haber reglamentos locales concernientes al ruido que habrá que cumplir manteniendo los niveles de ruido dentro de los límites establecidos. En ciertos casos, se deberán utilizar celosías para contener el ruido.

Dispositivos de seguridad

- Asegúrese de que todos los sistemas de seguridad estén en condiciones de funcionamiento antes de su utilización. La herramienta no debe funcionar si sólo se acciona el disparador o si sólo se presiona el brazo de contacto contra la madera. Solamente debe funcionar cuando se realicen ambas acciones. Haga una prueba sin clavos o grapas cargados y con el empujador en la posición totalmente presionada para ver si hay algún posible fallo de funcionamiento.
- No juegue con el elemento de contacto: previene la descarga accidental, por lo que se debe mantener activado y colocado en su sitio. También es muy peligroso fijar el disparador en la posición ON (activado). No intente nunca atar el disparador. No utilice la herramienta si alguna parte de los controles de operación de la herramienta está inoperativa, desconectada, modificada, o no funciona correctamente.
- No intente mantener el elemento de contacto presionado con cinta adhesiva o alambre. Pueden producirse lesiones graves o incluso la muerte.
- Compruebe siempre el elemento de contacto tal y como se indica en este manual. Los clavos o las grapas se pueden clavar accidentalmente si el mecanismo de seguridad no funciona correctamente.

Carga de clavos o grapas

- No cargue clavos o grapas en la herramienta si cualquiera de los controles de operación está activado.
- Utilice solamente los clavos o las grapas que se especifican en este manual. La utilización de otros clavos o grapas puede ocasionar un mal funcionamiento de la herramienta.

Fuente de alimentación

- Utilice la herramienta sólo con la pila de combustible original de Makita.
- No toque el gas líquido que sale pulverizado de la pila de combustible. El contacto con el gas puede provocar lesiones.
- Riesgo de incendio y explosión. Cuando manipule la pila de combustible para almacenarla, transportarla, insertarla o extraerla de la herramienta y desecharla:
 - No la exponga a la luz del sol y a temperaturas superiores a 50°C (122°F);
 - No fume;
 - Evite chispas y llamas abiertas.

- Extraiga siempre el cartucho de la batería y extraiga todos los clavos o las grapas:
 - Cuando deje la herramienta sin atender.
 - Antes de realizar cualquier mantenimiento o reparación.
 - Antes de despejar un atasco.
 - Antes de mover la herramienta a un nuevo lugar.

Normas de seguridad operativas

- Compruebe siempre la herramienta antes de su uso para ver su estado general y si hay tornillos sueltos. Apriete según sea necesario.
- Maneje la herramienta con cuidado, ya que dentro de la herramienta hay una presión muy alta que puede ser peligrosa si se produce una grieta debido a un manejo brusco (dejando caer o golpeando la herramienta). No intente grabar ni esculpir en la herramienta.
- Deje de utilizar inmediatamente la herramienta si nota algo incorrecto o fuera de lo normal en la herramienta. No se debe utilizar una herramienta que no funcione debidamente.
- No apunte con el puerto de expulsión a nadie de su alrededor. Mantenga las manos y pies alejados del área del puerto de expulsión.
- Presuponga siempre que la herramienta contiene clavos o grapas.
- Nunca se apunte a usted mismo ni a nadie más con la herramienta, tanto si contiene clavos o grapas como si no.
- No trabaje con prisas ni fuerce la herramienta. Maneje la herramienta con cuidado.
- No active la herramienta a menos que la tenga puesta firmemente contra la pieza de trabajo.
- Nunca sujete o lleve la herramienta con el dedo en el disparador ni se la preste a nadie de esta forma. La activación accidental puede provocar lesiones graves.
- No utilice nunca atornilladores marcados con el símbolo de "No utilizar en andamios, escaleras de mano" para aplicaciones específicas, por ejemplo:
 - Cuando el cambio de un lugar de clavado a otro implique la utilización de andamios, escaleras, escaleras de mano, o construcciones en forma de escalera, por ejemplo, listones de techumbres;
 - Cierre de cajas o cajones;
 - Colocación de sistemas de seguridad de transportes, por ejemplo, en vehículos y vagones.
- Compruebe las paredes, techos, suelos, techumbres y elementos similares con cuidado para evitar descargas eléctricas, fugas de gas, explosiones, etc., ocasionadas por el contacto con cables con tensión, conductos o tuberías de gas.
- No utilice esta herramienta para clavar cables eléctricos. Al no estar diseñada para la instalación de cables eléctricos, puede dañar el aislamiento de los cables eléctricos y provocar una descarga eléctrica o riesgo de incendio.
- Observe el suelo donde pisa y mantenga su equilibrio con la herramienta. Asegúrese de que no haya nadie debajo cuando trabaje en lugares elevados para evitar peligros si se produjera un tirón o enganche repentino.
- En tejados y otros lugares elevados, clave a medida que avanza. Es fácil perder el equilibrio si clava moviéndose hacia atrás. Cuando clave contra superficies perpendiculares, trabaje de arriba hacia

- abajo. Haciéndolo de esta forma podrá realizar la operación de clavado fatigándose menos.
- Si clava equivocadamente encima de otro clavo o grapa o golpea un nudo en la madera, el clavo o la grapa se torcerán o se atascará la herramienta. El clavo o la grapa pueden salir disparados y golpear a alguien, o la propia herramienta puede reaccionar peligrosamente. Ponga los clavos o las grapas con cuidado.
- No intente clavar nunca desde el interior y exterior al mismo tiempo. Los clavos o las grapas podrían atravesar los materiales y/o salir disparados, presentando un grave peligro.

Reparación

- Realice la limpieza y el mantenimiento inmediatamente después de terminar el trabajo. Mantenga la herramienta en perfectas condiciones. Lubrique las partes móviles para evitar la oxidación y minimizar el desgaste relacionado con la fricción. Quite todo el polvo de dichas partes.
- Infórmese en centros de servicio autorizados de Makita acerca de la inspección periódica de la herramienta.
- Para conservar la SEGURIDAD y la FIABILIDAD del producto, los trabajos de reparación y otros trabajos de mantenimiento deben realizarse en centros de servicio autorizados de Makita, utilizando siempre repuestos Makita.

GUARDE ESTAS INSTRUCCIONES.

⚠ ADVERTENCIA:

NO deje que la comodidad o la familiaridad con el producto (a base de utilizarlo repetidamente) sustituya la estricta observancia de las normas de seguridad del producto en cuestión. El MAL USO o la no observancia de las normas de seguridad expuestas en este manual de instrucciones pueden ocasionar graves daños corporales.

INSTRUCCIONES DE SEGURIDAD IMPORTANTES

ENC009-1

PARA EL CARTUCHO DE LA BATERÍA

1. **Antes de utilizar el cartucho de la batería, lea todas las instrucciones y referencias de precaución que se encuentran en (1) el cargador de baterías, (2) la batería y (3) el producto que utiliza la batería.**
2. **No desmonte el cartucho de la batería.**
3. **Si el tiempo de funcionamiento es excesivamente corto, deje de utilizar la herramienta de inmediato. De lo contrario, existe el riesgo de sobrecalentamiento, quemaduras e incluso explosión.**
4. **Si se produce contacto ocular con electrolito, enjuáguese los ojos con agua limpia y acuda de urgencia al médico. Corre el riesgo de perder la visión.**

5. **No cortocircuite el cartucho de la batería:**
 - (1) **No toque los terminales con material conductor.**
 - (2) **Evite guardar el cartucho de la batería en un recipiente con otros objetos metálicos, como clavos, monedas, etc.**
 - (3) **No exponga el cartucho de la batería al agua o a la lluvia.**

Un cortocircuito puede provocar un elevado flujo de corriente, sobrecalentamiento, quemaduras o incluso una avería.
6. **No almacene la herramienta ni el cartucho de la batería en lugares donde la temperatura supere los 50 °C (122°F).**
7. **No queme el cartucho de la batería aunque esté gravemente dañado o completamente gastado. El cartucho de la batería puede explotar si entra en contacto con fuego.**
8. **Procure que la batería no sufra golpes ni caídas.**
9. **No utilice una batería dañada.**

GUARDE ESTAS INSTRUCCIONES.

Consejos para conseguir una mayor duración de la batería

1. **Cargue la batería antes de que se descargue por completo.**
Deje de utilizar siempre la herramienta y cargue el cartucho de la batería cuando observe que tiene menos potencia.
2. **No recargue nunca un cartucho de batería completamente cargado.**
La sobrecarga acorta la vida útil de la batería.
3. **Cargue el cartucho de la batería a una temperatura ambiente que oscile entre 10 °C y 40 °C (50°F - 104°F).** Antes de cargar un cartucho de batería caliente, deje que se enfríe.

Visión general de la clavadora (Fig. 2)

DESCRIPCIÓN DEL FUNCIONAMIENTO

⚠ PRECAUCIÓN:

- Asegúrese siempre de extraer la pila de combustible, el cartucho de la batería y los clavos antes de ajustar la herramienta o de comprobar su funcionamiento.

Instalación o extracción del cartucho de la batería

⚠ PRECAUCIÓN:

- Apague siempre la herramienta antes de instalar o extraer el cartucho de la batería.
- **Sujete la herramienta y el cartucho de la batería firmemente cuando instale o extraiga el cartucho de la batería.** Si no sujeta la herramienta y el cartucho de la batería firmemente, pueden resbalar de sus manos y se pueden provocar daños en la herramienta y el cartucho de la batería y lesiones personales. (Fig. 3)

Para instalar el cartucho de la batería, sujételo de manera que la forma de la parte frontal del cartucho de la batería encaje en la forma de la abertura de instalación de la batería y deslícelo hasta que encaje en su lugar. Insértelo completamente hasta que quede firmemente encajada con un clic. (Fig. 4)

Para extraer el cartucho de la batería, quítelo de la herramienta al mismo tiempo que pulsa ambos lados del cartucho.

⚠ PRECAUCIÓN:

- Inserte siempre el cartucho de la batería hasta que quede completamente sujeto. De lo contrario, el cartucho puede desprenderse accidentalmente de la herramienta y causar lesiones al operario o a alguna persona que se encuentre cerca.
- No presione excesivamente el cartucho de la batería para instalarlo. Si no se inserta suavemente, significa que no lo está instalando correctamente.

Encender la lámpara

⚠ PRECAUCIÓN:

- No mire hacia la luz ni mire directamente hacia la fuente de luz. (Fig. 5)
- Para encender la lámpara, pulse el botón de la lámpara. Para apagar la lámpara, vuelva a pulsar el botón de la lámpara.

Pila de combustible

Colocación de la válvula dosificadora en la pila de combustible (Fig. 6)

Quite la tapa (en caso de que la válvula dosificadora disponga de tapa). (Fig. 7)

Presione el extremo delantero. (Fig. 8)

Presione el extremo trasero hasta que se asiente.

Inserción de la pila de combustible (Fig. 9)

Empuje hacia arriba la cubierta del combustible y tire de ella para abrirla. (Fig. 10)

Inserte la pila de combustible con la boquilla de la válvula dosificadora orientada hacia el adaptador. (Fig. 11)

Inserte la boquilla correctamente en el pequeño orificio del adaptador. (Fig. 12)

Coloque la cubierta del combustible sobre la válvula dosificadora y presiónela para enclavarla.

Ajuste de la profundidad de clavado

⚠ PRECAUCIÓN:

- Extraiga la pila de combustible, el cartucho de la batería y los clavos antes de ajustar la profundidad de clavado. (Fig. 13)

Para obtener una menor profundidad, gire el regulador en la dirección adecuada que se muestra en la figura. Para obtener una mayor profundidad, gire el regulador en la dirección izquierda.

No gire el regulador demasiado, ya que se puede atascar.

Luz indicadora

El color de la luz indicadora tiene los siguientes significados.

Verde intermitente: Estado normal

Rojo intermitente: Se debe recargar el cartucho de la batería.

Iluminada en rojo: Recargue el cartucho de la batería. No puede utilizarse la clavadora, porque la batería está descargada.

Naranja intermitente: Se recomienda realizar una limpieza completa. Consulte la sección "MANTENIMIENTO" para limpiar el interior de la herramienta completamente. Para restablecer la luz indicadora naranja intermitente, pulse el elemento de contacto durante cinco segundos y, a continuación, pulse el elemento de contacto cinco veces.

Naranja intermitente después de verde y rojo intermitente alternado: Se está ejecutando la detección de fallos. Extraiga el cartucho de la batería y vuelva a insertarlo para restablecer la herramienta. Si se ejecuta de nuevo la detección de fallos, hay una avería. Solicite a su centro de servicio Makita local una reparación.

Gancho

PRECAUCIÓN:

Extraiga siempre el cartucho de la batería cuando cuelgue la herramienta: No cuelgue la herramienta del cinturón. (Fig. 14)

El gancho es útil para colgar la herramienta temporalmente.

El gancho se puede colocar en dos posiciones según dónde se vaya a colgar la herramienta.

Para cambiar la posición del gancho, empuje sus pies de ambos lados y cámbielo de posición.

MONTAJE

PRECAUCIÓN:

- Extraiga siempre la pila de combustible y el cartucho de la batería antes de realizar cualquier trabajo en la herramienta.

Carga de la clavadora (Fig. 15)

Inserte una tira de clavos en la ranura de la parte posterior del depósito alimentador. Los clavos se detienen a la entrada del depósito alimentador a causa del tope de clavos. Desbloquee el depósito alimentador pulsando el botón del tope de clavos para insertar los clavos. (Fig. 16) Tire de la palanca empujadora mientras presiona el botón empujador completamente hasta la parte posterior del depósito alimentador. A continuación, suelte el botón empujador y devuelva la palanca empujadora al final de la tira suavemente.

Extracción de los clavos (Fig. 17)

Tire de la palanca empujadora y presione el botón empujador para soltar el soporte de clavos; luego devuelva la palanca empujadora a su posición inicial empujando el botón empujador. Deslice los clavos hacia la parte posterior del depósito alimentador. Los clavos se detienen a la entrada del depósito alimentador a causa del tope de clavos. Desbloquee el depósito alimentador pulsando el botón del tope de clavos para retirar los clavos.

Cambio del depósito alimentador (accesorio opcional) (Fig. 18)

Está disponible un depósito alimentador con una longitud diferente como accesorio opcional.

Para cambiar el depósito alimentador, afloje el perno y retire el depósito alimentador. A continuación instale el nuevo depósito alimentador. Después apriete el perno del depósito alimentador.

FUNCIONAMIENTO

ADVERTENCIA:

- **No toque la zona alrededor del orificio de ventilación de salida de gases.** La superficie estará muy caliente durante o después de una operación. Si toca la superficie alrededor del orificio de ventilación de salida de gases puede sufrir quemaduras o lesiones.

PRECAUCIÓN:

- Asegúrese de que todos los sistemas de seguridad estén en condiciones de funcionamiento antes de su utilización. (Fig. 19)

1. Para clavar un clavo, coloque el elemento de contacto contra la pieza de trabajo.

Se activa el motor del ventilador, se inyecta gas combustible en la cámara de combustión y se mezcla con el aire producido por el ventilador. (Fig. 20)

2. Presione firmemente el elemento de contacto y accione el disparador.

El gas combustible se quema y se clava el clavo.

3. Sólo puede clavar otro clavo tras haber soltado el elemento de contacto y el disparador.

Clavado en concreto

ADVERTENCIA:

- Use clavos reforzados solamente para concreto. El uso de clavos con otra finalidad puede provocar graves lesiones. No clave directamente en el concreto. En caso contrario se puede provocar que fragmentos de concreto salgan despedidos o que los clavos reboten y provoquen graves lesiones.
- Cuando clave, sujete la herramienta de forma que permanezca perpendicular a la superficie de clavado. El clavado inclinado puede provocar que fragmentos de concreto salgan despedidos o que los clavos reboten y provoquen graves lesiones.
- No utilice la herramienta en superficies de las que cuelguen objetos, como zonas en las que se han montado soportes para tuberías de desagüe, conductos de ventilación, etc.

Elija y utilice los clavos de forma que la penetración en el concreto oscile entre 15 mm - 20 mm. (Fig. 21)

PRECAUCIÓN:

- Utilice esta herramienta solamente para concreto blando que no se haya construido hace mucho tiempo. El uso en concreto duro puede provocar que se doble un clavo o que se clave a una profundidad insuficiente.
- Cuando sea necesario clavar a una profundidad superior a 20 mm, no se pueden obtener clavos de la longitud suficiente. Los clavos pueden clavarse demasiado superficialmente y provocar que la pieza de trabajo sea inestable, lo que puede provocar lesiones y daños materiales.

Mecanismo contra el disparo en vacío

Este mecanismo impide que la herramienta se dispare sin un clavo.

La prevención contra el disparo en vacío se activa automáticamente cuando sólo quedan entre 2 y 3 clavos.

Atasco en la clavadora de clavos

ADVERTENCIA:

- Asegúrese siempre de extraer la pila de combustible y el cartucho de la batería antes de desatascar la herramienta.

PRECAUCIÓN:

- No utilice clavos deformados o tiras de clavos. De lo contrario, la alimentación de clavos no será la idónea. Siga el procedimiento de extracción de clavos y retire los clavos atascados. (Fig. 22)

Extraiga la pila de combustible, el cartucho de la batería y los clavos.

Afíjelo el perno del depósito alimentador. Retire el depósito alimentador y extraiga los clavos atascados.

(Fig. 23)

Si no se pueden extraer los clavos tras seguir el método anterior, haga lo siguiente.

Inserte una varilla pequeña o similar en el puerto de expulsión y golpéela ligeramente con un martillo para expulsar los clavos atascados del puerto de expulsión.

(Fig. 24 y 25)

Si aún quedan clavos en el puerto de expulsión, haga lo siguiente.

Afíjelo los pernos del puerto de expulsión mediante una llave hexagonal. Retire la guía inferior del pasador de arrastre. A continuación, extraiga los clavos atascados. Vuelva a colocar la guía inferior del pasador de arrastre y apriete los pernos tras retirar el atasco. Vuelva a colocar el depósito alimentador y apriete el perno.

MANTENIMIENTO

PRECAUCIÓN:

- Extraiga siempre la pila de combustible, el cartucho de la batería y los clavos antes de realizar trabajos de inspección o mantenimiento.
- Nunca utilice gasolina, benceno, disolvente, alcohol o un producto similar. Se puede provocar una decoloración, una deformación o grietas.

Mantenimiento tras una jornada de trabajo

Al final de una jornada de trabajo, realice una rutina de mantenimiento.

Esos sencillos pasos pretenden mantener la seguridad y el rendimiento de la herramienta.

Antes de salir del lugar de trabajo:

- Extraiga el cartucho de la batería y guárdelo en una caja portaherramientas. Utilice siempre la caja portaherramientas para transportar y almacenar la herramienta.
- Deseche las pilas vacías en lugares donde ningún niño las pueda encontrar y donde no se puedan aplastar, perforar o quemar.

Cuando llegue a casa:

- Coloque el cartucho de la batería en el cargador si es necesario, lo cual es indicado por la luz indicadora roja.
- Limpie la herramienta con un paño suave y limpio.

- Compruebe el estado del filtro y límpielo si tiene polvo.

Limpieza del filtro de aire (Fig. 26 y 27)

Presione ligeramente hacia arriba la cubierta del filtro y extraígalas. A continuación, solamente tiene que levantar el filtro para extraerlo.

Dé unos golpecitos al filtro para quitar el polvo que pueda tener. Con jabón y agua puede dejarse el filtro casi como nuevo.

Para mantener la SEGURIDAD y la FIABILIDAD del producto, las reparaciones y cualquier otra tarea de mantenimiento o ajuste deberán ser realizadas en centros de servicio autorizados por Makita, utilizando siempre repuestos Makita.

Limpieza minuciosa

Si se producen con frecuencia disparos en vacío, la herramienta se debe limpiar minuciosamente.

Consulte la guía de limpieza que se proporciona con el producto para obtener información detallada y realice la limpieza.

Si tiene preguntas acerca de la limpieza, consulte con su centro de servicio Makita local.

ACCESORIOS OPCIONALES

PRECAUCIÓN:

- Se recomienda el uso de estos accesorios o complementos con la herramienta Makita especificada en este manual. El uso de otros accesorios o complementos puede conllevar el riesgo de ocasionar daños corporales. Utilice los accesorios o complementos solamente para su fin establecido.

Si necesita cualquier ayuda para obtener más información relativa a estos accesorios, pregunte a su centro de servicio Makita local.

- Clavos
- Depósito alimentador
- Gafas de seguridad
- Pila de combustible
- Kit de limpieza
- Batería y cargador originales de Makita

NOTA:

- Algunos elementos de la lista se pueden incluir en el paquete de la herramienta como accesorios estándar. Pueden ser diferentes de un país a otro.

Ruido

ENG905-1

Niveles típicos de ruido ponderado A determinados de conformidad con EN792:

Nivel de presión de sonido (L_{pA}): 89 dB (A)

Nivel de potencia de sonido (L_{WA}): 102 dB (A)

Incertidumbre (K): 3 dB (A)

Utilice protección para los oídos

Vibración

ENG904-2

Valor de total de vibraciones determinado de acuerdo con EN792:

Emisión de vibraciones (a_{hv}): 3,5 m/s²

Incertidumbre (K): 1,5 m/s²

ENG901-1

- El valor de emisión de vibraciones se ha medido de acuerdo con el método de prueba estándar y se puede utilizar para comparar herramientas.

- El valor de emisión de vibraciones declarado también se puede usar en una evaluación preliminar de la exposición.

⚠ ADVERTENCIA:

- La emisión de vibraciones durante el uso de la herramienta eléctrica puede diferir del valor de emisiones declarado, dependiendo de las formas en que se utiliza la herramienta.
- Asegúrese de identificar las mediciones correctas para proteger al operario, que se basan en una estimación de la exposición en condiciones de uso reales (teniendo en cuenta todas las partes del ciclo de operaciones, como los momentos en los que la herramienta está apagada y cuando funciona al ralentí además del tiempo en que está activado el interruptor).

Sólo para países europeos

ENH003-14

Declaración de conformidad de la CE

Nosotros, Makita Corporation, en calidad de fabricante responsable, declaramos que las siguientes máquinas Makita:

Designación de la máquina:

Clavadora a gas-batería para concreto

Nº de modelo/ Tipo: GN420C

son de producción serie y

Cumplen con las siguientes Directivas europeas:
2006/42/CE

Y se han fabricado de acuerdo con los siguientes estándares o documentos estandarizados:

EN792, EN60745

La documentación técnica la conserva:

Makita International Europe Ltd.

Technical Department,

Michigan Drive, Tongwell,

Milton Keynes, Bucks MK15 8JD, Inglaterra

29. 03. 2012



Tomoyasu Kato
Director

Makita Corporation
3-11-8, Sumiyoshi-cho,
Anjo, Aichi, 446-8502, JAPAN

PORTUGUÊS (Instruções de origem)

Descrição geral

- | | | |
|-------------------------|-----------------------|-----------------------------------|
| 1. Óculos de segurança | 10. Luz | 19. Gancho |
| 2. Visor de protecção | 11. Luz indicadora | 20. Batente dos pregos |
| 3. Tapa de combustível | 12. Bateria | 21. Parafuso |
| 4. Gatilho | 13. Botão | 22. Placa de aço fina |
| 5. Carregador | 14. Botão de luz | 23. Grau de perfuração no cimento |
| 6. Alavanca do impulsor | 15. Válvula doseadora | 24. Guia da broca inferior |
| 7. Botão do impulsor | 16. Tapa | 25. Tapa de filtro |
| 8. Elemento de contacto | 17. Bocal de jacto | 26. Filtro |
| 9. Ventilação de saída | 18. Regulador | |

ESPECIFICAÇÕES

Modelo	GN420C	
Capacidade de pregos	20 pregos (2 tiras)	40 pregos (4 tiras)
Dimensões (C X L X A)	315 mm X 108 mm X 390 mm	430 mm X 108 mm X 390 mm
Peso líquido	3,6 kg	3,8 kg
Comprimento dos pregos X Diâmetro da haste	Comp. prego: 15 mm - 40 mm, prof.: 2,6 mm - 3,1 mm	
Tensão nominal	C.C. 7,2 V	

- Devido à pesquisa e desenvolvimento constantes, estas especificações estão sujeitas a alteração sem aviso prévio.
- As especificações e o cartucho da bateria podem ser diferentes consoante o país.
- Peso, com a bateria, de acordo com o procedimento EPTA de 01/2003

Símbolos

END107-7

Descrição dos símbolos utilizados no equipamento.
Certifique-se de que compreende o seu significado, antes da utilização.



..... Não utilizar em andaimes ou escadas.



..... Aviso: superfície quente!
Não toque na zona em torno deste símbolo. Tocar na superfície pode provocar queimaduras ou ferimentos.



..... Apenas para países da UE
Não deite equipamentos eléctricos ou a bateria no lixo doméstico!
De acordo com as directivas europeias sobre ferramentas eléctricas e electrónicas usadas e baterias, acumuladores e baterias usadas e a sua aplicação em conformidade com as leis nacionais, as ferramentas eléctricas, as baterias e conjuntos usados devem ser recolhidos em separado e encaminhados para uma instalação de reciclagem dos materiais ecológicos.

Utilização prevista

ENE072-1

A ferramenta destina-se a fixar uma placa de aço fina no cimento.

Avisos gerais de segurança para ferramentas eléctricas

GEA010-1



AVISO Leia todos os avisos de segurança e todas as instruções. O não cumprimento dos avisos e instruções pode resultar na ocorrência de choques eléctricos, incêndios e/ou ferimentos graves.

... Leia o manual de instruções.

..... Recipiente sob pressão, manter afastado de temperaturas superiores 50°C (por ex.: radiação solar). Colocar o recipiente num local bem ventilado.

..... Utilizar apenas no exterior ou em divisões bem ventiladas. Não respirar o gás.

..... Não utilizar perto de chamas, nem pulverizar sobre superfícies quentes. Ao utilizar, poderá ser formada uma mistura de vapor-ar inflamável/explosiva.

..... Não danificar, perfurar ou queimar, mesmo após a utilização.

..... Use óculos de segurança.

..... Manter os dedos afastados do gatilho quando não estiver a pregar de forma a evitar disparos acidentais.

..... Utilizar apenas em áreas ventiladas de forma a evitar náuseas e desmaios. Nunca utilizar a ferramenta em atmosferas combustíveis. O escape da ferramenta pode incendiar materiais inflamáveis.

Guarde todos os avisos e instruções para referência futura.

Avisos de segurança do pinador/agrafador a bateria

ENB111-4

⚠ AVISO Leia todos os avisos de segurança e todas as instruções. O não cumprimento dos avisos e instruções pode resultar na ocorrência de ferimentos graves, choques eléctricos e/ou incêndios.

Guarde todos os avisos e instruções para referência futura.

Para garantir a segurança pessoal e um funcionamento e manutenção correctos da ferramenta, leia este manual de instruções antes de utilizar a ferramenta.

Segurança geral

- Não permita que pessoas não familiarizadas utilizem a ferramenta.
- Não é um brinquedo. Respeite a ferramenta como uma ferramenta de trabalho.
- Não utilize quando estiver sob a influência de álcool, medicamentos ou substâncias semelhantes.
- Nunca altere a ferramenta.

Equipamentos de protecção pessoal

- Use sempre óculos de segurança para proteger os seus olhos contra pó ou ferimentos devido aos agrafos.

⚠ AVISO: É da responsabilidade da entidade empregadora garantir o uso do equipamento de protecção para os olhos por parte dos operadores e outras pessoas perto da área de trabalho.

Apenas para a Austrália e Nova Zelândia

- Use sempre óculos de segurança e o visor de protecção para proteger os seus olhos contra pó ou ferimentos devido aos agrafos. Os óculos de segurança e o visor de protecção devem respeitar os requerimentos de AS/NZS 1336. (Fig. 1)
- Use protecção para os ouvidos para os proteger contra os ruídos de trabalho e protecção para a cabeça. Use roupa leve mas não folgada. As mangas devem estar apertadas ou enroladas. Não devem ser usadas gravatas.

Segurança na área de trabalho

- Nunca utilize a ferramenta em espaços fechados ou mal ventilados. Caso contrário, o monóxido de carbono pode causar tonturas, náuseas ou desmaios.
- Mantenha a área de trabalho limpa e bem iluminada. As áreas desorganizadas ou escuras convidam os acidentes.
- Não utilize a ferramenta em atmosferas explosivas, tais como na presença de líquidos inflamáveis, gases ou pó. Utilizar a ferramenta pode criar faíscas que poderão pegar fogo ao pó ou gases.
- Mantenha afastadas as crianças e pessoas enquanto utilizar a ferramenta. As distrações podem fazer com que perca o controlo.
- Ilumine bem a área de trabalho.
- Poderão existir normas locais relativamente ao ruído, que devem ser cumpridas mantendo os níveis de ruído dentro dos limites indicados. Em determinados casos,

devem ser utilizados elementos de isolamento acústico.

Dispositivos de segurança

- Certifique-se de que todos os sistemas de segurança estão a funcionar adequadamente antes de utilizar a ferramenta. A ferramenta não deve funcionar caso prima apenas o gatilho ou pressione apenas o elemento de contacto contra a madeira. Esta deve funcionar apenas ao executar ambas as acções. Faça um teste sem agrafos e com o impulsor na posição de apertado para verificar se há problemas no funcionamento.
- Não brinque com o elemento de contacto: evita o accionamento acidental, não devendo ser removido. Fixar o gatilho na posição ON (ligado) é igualmente muito perigoso. Nunca tente apertar o gatilho. Não utilize a ferramenta se qualquer parte dos comandos estiver inoperacional, desligada, alterada ou a funcionar incorrectamente.
- Não tente manter o elemento de contacto pressionado com fita-cola ou fios. Pode provocar morte ou ferimentos graves.
- Verifique sempre o elemento de contacto conforme indicado neste manual. Os agrafos podem ser introduzidos acidentalmente se o mecanismo de segurança não estiver a funcionar correctamente.

Carregar agrafos

- Não carregue a ferramenta com pregos quando qualquer um dos comandos de funcionamento estiver activado.
- Utilize apenas agrafos especificados neste manual. A utilização de agrafos diferentes pode causar o mau funcionamento da ferramenta.

Fonte de alimentação

- Utilize a ferramenta somente com a célula de combustível genuína da Makita.
- Não toque em gás líquido pulverizado para fora da célula de combustível. O contacto pode causar ferimentos.
- Risco de incêndio e explosão. Ao lidar com a célula de combustível para fins de armazenamento, transporte, introdução e remoção da ferramenta e eliminação:
 - não exponha à luz solar nem a temperaturas superiores a 50°C;
 - não fume;
 - evite faíscas e chamas.
- Remova sempre a bateria e todos os fixadores:
 - quando sem vigiância;
 - antes de efectuar qualquer operação de manutenção ou reparação;
 - antes de eliminar qualquer obstrução;
 - antes de levar a ferramenta para um novo local.

Segurança operacional

- Antes de utilizar, verifique sempre a condição geral da ferramenta e inspecione para ver se há parafusos soltos. Aperte-os como necessário.
- Manuseie a ferramenta com cuidado dado que há pressão muito alta dentro da mesma e pode ser perigoso se houver uma fissura causada por um manuseamento impróprio (derrubar ou bater a mesma). Não tente entalhar ou esculpir na ferramenta.

- Pare a utilização imediatamente se notar qualquer problema ou algo anormal com a ferramenta. Não deve ser utilizada uma ferramenta que não funcione correctamente.
- Não aponte a porta de ejeção a ninguém que se encontre nas proximidades. Mantenha as mãos e os pés afastados da área da porta de ejeção.
- Presuma sempre que a ferramenta contém pregos.
- Nunca aponte a ferramenta na sua direcção ou de outra pessoa, independentemente de conter pregos ou não.
- Não apresse o trabalho ou force a ferramenta. Segure com cuidado na ferramenta.
- Não active a ferramenta a não ser que a ferramenta seja colocada firmemente contra a peça de trabalho.
- Nunca segure ou transporte a ferramenta ou a entregue a alguém com o dedo no gatilho. Um disparo acidental pode provocar ferimentos graves.
- Nunca utilize pregadores marcados com a inscrição "Não utilizar em andaimes ou escadas" para aplicações específicas, por exemplo:
 - quando ao mudar de uma posição de trabalho para outra for preciso utilizar andaimes, degraus, escadas usadas em construção, como ripa de telhado;
 - ao fechar caixas ou grades;
 - ao fixar sistemas de segurança de transporte, como em veículos ou vagões.
- Inspeccione cuidadosamente as paredes, tecto, pisos e telhados para evitar o risco de choque eléctrico, fuga de gás, explosões, etc. que podem resultar do contacto dos pregos com fios ligados, condutos ou canos de gás.
- Não utilize a ferramenta para pregar cabos eléctricos. A ferramenta não é adequada para instalação de cabos eléctricos e pode danificar o isolamento dos cabos, causando choques eléctricos ou riscos de incêndio.
- Tenha cuidado e mantenha-se numa posição firme e equilibrada durante a utilização da ferramenta. Certifique-se de que ninguém está por baixo quando trabalhar em locais altos para evitar acidentes caso a mesma se enrosque em algo ou haja um movimento brusco e súbito.
- Ao trabalhar em telhados ou outros locais altos, introduza agrafos à medida que avança. É fácil perder o equilíbrio se introduzir agrafos movendo-se para trás. Quando está a agrafar contra superfícies perpendiculares, trabalhe de cima para baixo. Assim, poderá executar a operação de agrafar com menos cansaço.
- Um agrafador poderá entortar-se ou a ferramenta poderá ficar emperrada se agrafar sobre outro agrafador por engano ou se bater num nó da madeira. O agrafador poderá sair disparado e atingir alguém ou a própria ferramenta pode reagir de modo perigoso. Coloque os agrafos com cuidado.
- Nunca tente agrafar do lado de dentro e do lado de fora ao mesmo tempo. Os agrafos podem atravessar a madeira e/ou sair disparados, apresentando um perigo muito grave.

Reparações

- Efectue a limpeza e a manutenção logo após terminar o trabalho. Mantenha a ferramenta em óptimas condições. Lubrifique as peças giratórias para evitar que fiquem enferrujadas e para minimizar o desgaste devido à fricção. Limpe a poeira das peças.
- Solicite a inspecção periódica da ferramenta num centro de assistência autorizada Makita.
- Para manter os níveis de SEGURANÇA e FIABILIDADE definidos para este produto, as reparações e operações de manutenção devem ser executadas por centros de assistência Makita autorizados, utilizando sempre peças de substituição da Makita.

GUARDE ESTAS INSTRUÇÕES.

⚠ AVISO:

NÃO deixe que o conforto ou familiaridade com o produto (obtida de uma utilização regular) substituam um cumprimento severo das regras de segurança do produto em causa. Uma UTILIZAÇÃO INCORRECTA ou não cumprimento das regras de segurança indicadas neste manual de instruções podem provocar ferimentos pessoais sérios.

INSTRUÇÕES DE SEGURANÇA IMPORTANTES

ENC009-1

RELATIVAS À BATERIA

1. **Antes de utilizar a bateria, leia as instruções e chamadas de atenção de: (1) o carregador da bateria, (2) a bateria e (3) o produto que utiliza a bateria.**
2. **Não desmonte a bateria.**
3. **Se o tempo de utilização com a bateria se tornar demasiado curto, deve parar imediatamente. Se continuar, pode causar sobreaquecimento, incêndio e mesmo explosão.**
4. **Se o electrólito entrar em contacto com os olhos, enxágue-os com água limpa e consulte imediatamente um médico. Os riscos incluem perda de visão.**
5. **Não provoque um curto-circuito na bateria:**
 - (1) **Não deixe que quaisquer materiais condutores entrem em contacto com os terminais da bateria.**
 - (2) **Evite guardar a bateria juntamente com outros objectos de metal como moedas, por exemplo.**
 - (3) **Não exponha a bateria a água ou chuva. Um curto-circuito na bateria pode criar uma grande carga eléctrica, sobreaquecimento, fogo e uma quebra da corrente.**
6. **Não guarde a ferramenta e a bateria em locais onde a temperatura possa atingir ou exceder 50°C.**
7. **Não incinere a bateria, nem mesmo se esta estiver irremediavelmente danificada ou completamente gasta. Pode explodir e causar um incêndio.**
8. **Não a deixe cair e evite o choque com outros objectos.**
9. **Não utilize uma bateria danificada.**

GUARDE ESTAS INSTRUÇÕES.

Sugestões para o máximo de tempo de vida da bateria

1. Não espere que a bateria se gaste completamente para voltar a carregá-la. Pare a ferramenta e carregue a bateria sempre que detectar um baixo nível de energia.
2. Nunca volte a carregar uma bateria já completamente carregada. O carregamento excessivo diminui o tempo de vida das baterias.
3. Carregue a bateria em locais onde a temperatura se situe entre 10°C e 40°C. Se a bateria estiver quente, deixe-a arrefecer antes de iniciar o carregamento.

Visão geral do pinador (Fig. 2)

DESCRIÇÃO DO FUNCIONAMENTO

⚠️ PRECAUÇÃO:

- Certifique-se sempre de que retira a célula de combustível, a bateria e os pregos antes de ajustar ou verificar funções na ferramenta.

Instalar ou retirar a bateria

⚠️ PRECAUÇÃO:

- Desligue sempre a ferramenta antes de instalar ou retirar a bateria.
- **Segure bem a ferramenta e a bateria quando instalar ou retirar a bateria.** Se não segurar bem a ferramenta e a bateria, pode fazer com que caiam das mãos e provoquem danos na ferramenta e na bateria e ferimentos pessoais. (Fig. 3)

Para colocar a bateria, segure-a de maneira a que a forma dianteira da bateria encaixe na abertura do orifício da bateria. Insira-a completamente até fixar em posição com um clique. (Fig. 4)

Para retirar a bateria, puxe-a para fora ao mesmo tempo que prime ambos os lados do cartucho.

⚠️ PRECAUÇÃO:

- Introduza sempre o cartucho da bateria até ao fundo, até que encaixe. Caso contrário, pode cair da ferramenta e causar ferimentos em si, ou em alguém que esteja perto de si.
- Não instale a bateria forçosamente. Se não encaixar facilmente é porque não está correctamente posicionada.

Acender a luz

⚠️ PRECAUÇÃO:

- Não olhe directamente para a luz da ferramenta. (Fig. 5)
- Para ligar a luz, prima o botão de luz. Para desligar a luz, prima novamente o botão de luz.

Célula de combustível

Fixar a válvula doseadora à célula de combustível (Fig. 6)

Separe a tampa (no caso de a válvula doseadora ser fornecida com a tampa). (Fig. 7)

Empurre a extremidade dianteira. (Fig. 8)

Empurre a extremidade traseira até assentar.

Inserir a célula de combustível (Fig. 9)

Empurre para cima e puxe a tampa de combustível para a abrir. (Fig. 10)

Insira a célula de combustível direccionando o bocal de jacto da válvula doseadora no sentido do adaptador. (Fig. 11)

Insira o bocal de jacto correctamente no pequeno orifício do adaptador. (Fig. 12)

Coloque a tampa de combustível sobre a válvula doseadora e empurre-a para baixo para trancar.

Ajustar a profundidade de colocação dos pregos

⚠️ PRECAUÇÃO:

- Retire a célula de combustível, a bateria e os pregos antes de ajustar a profundidade de colocação dos pregos. (Fig. 13)

Para obter um profundidade mais superficial, rode o regulador para a direita, como mostrado na figura. Para obter uma profundidade mais profunda, rode o regulador para a esquerda.

Não rode demasiado o regulador, caso contrário pode ficar preso.

Luz indicadora

A cor da luz indicadora significa o seguinte.

Verde intermitente: Estado normal

Vermelho intermitente: Necessidade de recarregar a bateria

Acesa a vermelho: Recarregue a bateria. Não é possível pregar porque não existe capacidade de bateria restante.

Cor-de-laranja intermitente: É recomendada uma limpeza minuciosa. Consulte a secção "MANUTENÇÃO" para limpar minuciosamente o interior da ferramenta.

Para repor a intermitência cor-de-laranja da luz indicadora, pressione o elemento de contacto durante cinco segundos e, de seguida pressione o elemento de contacto cinco vezes.

Cor-de-laranja intermitente após verde e vermelho intermitentes alternadamente: Está a ser executada a detecção de falhas. Retire e volte a colocar a bateria para proceder à reposição. Se a detecção de falhas voltar a ser executada, trata-se de um estado de mau funcionamento. Consulte o seu centro de assistência Makita local para reparar.

Gancho

⚠️ PRECAUÇÃO:

Retire sempre a bateria ao pendurar a ferramenta. Não pendure a ferramenta no seu cinto. (Fig. 14)

O gancho é muito útil para pendurar a ferramenta temporariamente.

O gancho pode ser definido em duas posições, de acordo com o local onde a ferramenta irá ser pendurada.

Para alterar a posição do gancho, empurre a sua base para dentro a partir de ambos os lados e desloque-o para outra posição.

MONTAGEM

⚠️ PRECAUÇÃO:

- Remova sempre a célula de combustível e a bateria antes de efectuar qualquer trabalho na ferramenta.

Carregar o pinador (Fig. 15)

Insira uma tira de pregos na ranhura na parte traseira do carregador. Os pregos param na entrada do carregador devido ao batente dos pregos. Desbloqueie o carregador ao premir o botão do batente dos pregos para introduzir os pregos. (Fig. 16)

Puxe a alavanca do impulsor sem pressionar completamente o botão do impulsor para a parte traseira do carregador. De seguida, solte o botão do impulsor e coloque suavemente a alavanca na extremidade da tira.

Retirar pregos (Fig. 17)

Puxe a alavanca do impulsor e empurre o botão do impulsor para libertar o suporte de pregos, depois faça regressar a alavanca ao topo empurrando o botão do impulsor.

Deslize os pregos para a parte traseira do carregador. Os pregos param na entrada do carregador devido ao batente dos pregos. Desbloqueie o carregador ao premir o botão do batente dos pregos para remover os pregos.

Substituir o carregador (acessório opcional) (Fig. 18)

Está disponível um carregador com um comprimento diferente, como acessório opcional.

Para substituir o carregador, desaperte o parafuso e retire o carregador. De seguida, instale o novo carregador. E aperte o parafuso no carregador.

FUNCIONAMENTO

⚠️ AVISO:

- **Não toque na zona em torno do ventilador de saída.** A superfície estará muito quente durante ou depois do funcionamento. Tocar na zona em torno do ventilador de saída pode provocar queimaduras ou ferimentos.

⚠️ PRECAUÇÃO:

- Certifique-se de que todos os sistemas de segurança estão a funcionar adequadamente antes de utilizar a ferramenta. (Fig. 19)

1. Para pregar um prego, coloque o elemento de contacto contra a peça de trabalho.

É activado o motor do ventilador e é injectado gás combustível no câmara de combustão, sendo misturado com ar pelo ventilador. (Fig. 20)

2. Segure o elemento de contacto premindo-o firmemente e prima o gatilho.

O gás combustível entra em combustão e o prego é colocado.

3. Para colocar um outro prego terá de libertar o elemento de contacto e o gatilho.

Introdução de pregos no cimento

⚠️ AVISO:

- Utilize apenas pregos endurecidos para o cimento. Utilizar pregos destinados a outros fins pode causar ferimentos graves. Não introduza pregos directamente no cimento. O incumprimento disto pode causar a projecção de fragmentos de cimento ou o recuo dos pregos, causando ferimentos graves.
- Quando introduzir pregos, segure a ferramenta perpendicularmente à superfície de introdução. Introduzir pregos com a ferramenta inclinada pode causar a projecção de fragmentos de cimento ou o recuo dos pregos, causando ferimentos graves.
- Não utilize a ferramenta na superfície que suporta os objectos, como a área onde os suportes para o tubo de esgoto, tubo de pó etc. estão instalados.

Escolha e utilize os pregos adequados de modo a que o grau de perfuração no cimento se encontre entre 15 mm - 20 mm. (Fig. 21)

⚠️ PRECAUÇÃO:

- Utilize esta ferramenta apenas para cimento macio instalado recentemente. Utilizar no cimento duro pode causar deformação dos pregos ou introdução de pregos com profundidade insuficiente.
- Quando o grau de perfuração no cimento tiver de ser superior a 20 mm, a introdução de pregos até à profundidade pretendida pode não ser obtida. Os pregos podem ser pouco introduzidos causando instabilidade na peça de trabalho, o que resulta em ferimentos pessoais e danos materiais.

Mecanismo anti-accionamento

Este mecanismo impede que a ferramenta dispare sem pregos.

A prevenção anti-accionamento funciona automaticamente quando os pregos chegam às últimas 2-3 peças.

Pinador encravado

⚠️ AVISO:

- Certifique-se sempre de que retira a célula de combustível e a bateria antes de eliminar qualquer obstrução.

⚠️ PRECAUÇÃO:

- Não utilize pregos deformados ou arrancados. Não respeitar esta instrução pode causar mau reabastecimento de pregos.

Siga o processo de remoção de pregos e remova os pregos encravados. (Fig. 22)

Retire a célula de combustível, a bateria e os pregos.

Desaperte o parafuso no carregador. Retire o carregador e retire os pregos encravados. (Fig. 23)

Se os pregos não puderem ser removidos após efectuar o método acima, efectue o seguinte.

Insira uma haste pequena ou algo semelhante na porta de ejeção e bata de leve na mesma com um martelo para retirar os pregos encravados da porta de ejeção. (Fig. 24 e 25)

Se os pregos permanecerem na porta de ejeção, efectue o seguinte.

Desaperte os parafusos na porta de ejeção ao utilizar uma chave sextavada. Retire a guia da broca inferior. E retire os pregos encravados.

Coloque a guia de broca inferior e aperte os parafusos após remover os pregos encravados.

Coloque o carregador e aperte o parafuso.

MANUTENÇÃO

PRECAUÇÃO:

- Retire sempre a célula de combustível, a bateria e os pregos antes de tentar efectuar a inspecção ou manutenção.
- Nunca utilize gasolina, benzina, diluente, álcool ou semelhante. Podem formar-se descolorações, deformações ou fissuras.

Manutenção após trabalho diário

No final do trabalho diário, efectue uma rotina de fim de dia trabalho.

Estes simples passos destinam-se a manter a segurança e o desempenho da ferramenta.

Antes de abandonar o local de trabalho:

- Retire a bateria e guarde-a na bolsa de transporte da ferramenta. Utilize sempre a bolsa de transporte da ferramenta para transportar e armazenar a ferramenta.
- Eliminação de todas as células vazias num local onde não sejam encontradas por crianças, esmagadas, perfuradas ou queimadas.

Ao chegar a casa:

- Se necessário, coloque a bateria no carregador conforme indicado pela luz indicadora vermelha.
- Limpe a ferramenta com um pano limpo e suave.
- Verifique o filtro e limpe-o se tiver pó.

Limpar o filtro de ar (Fig. 26 e 27)

Prima a tampa do filtro ligeiramente para cima e remova-a. E, de seguida, simplesmente retire o filtro.

Sacuda-o ligeiramente para eliminar qualquer pó. A utilização de sabão e água permite fazer o filtro voltar a um estado quase novo.

Para manter os níveis de SEGURANÇA e FIABILIDADE definidos para este produto, as reparações e os procedimentos de manutenção ou ajustes devem ser executados por centros de assistência Makita autorizados, utilizando sempre peças de substituição Makita.

Limpeza minuciosa

Se disparos em vazio ocorrerem frequentemente, significa que a ferramenta necessita de ser limpa minuciosamente.

Consulte a o guia de limpeza acompanhante para informações e efectue a limpeza.

Se tiver dúvidas relativamente à limpeza, consulte o centro de assistência Makita local.

ACESSÓRIOS OPCIONAIS

PRECAUÇÃO:

- Os seguintes acessórios ou extensões são os recomendados para utilizar com a ferramenta Makita especificada neste manual. A utilização de quaisquer

outros acessórios poderá representar um risco de ferimento para as pessoas. Apenas utilize o acessório para o fim indicado.

Se precisar de informações adicionais relativas aos acessórios, contacte o centro local de assistência Makita.

- Pregos
- Carregador
- Óculos protectores
- Célula de combustível
- Kit de limpeza
- Bateria e carregador genuínos da Makita

NOTA:

- Alguns itens na lista podem estar incluídos no pacote de ferramentas como acessórios de série. Podem diferir de país para país.

Ruído

ENG905-1

Os níveis acústicos ponderados A típicos foram determinados segundo a EN792:

Nível de pressão sonora (L_{pA}): 89 dB (A)

Nível de potência sonora (L_{WA}): 102 dB (A)

Incerteza (K): 3 dB (A)

Use protecção para os ouvidos

Vibração

ENG904-2

O valor total das vibrações determinado de acordo com a EN792:

Emissão de vibrações (a_h): 3,5 m/s²

Incerteza (K): 1,5 m/s²

ENG901-1

- O valor da emissão de vibração declarado foi medido de acordo com o método de teste padrão e pode ser utilizado para comparar uma ferramenta com outra.
- O valor da emissão de vibração declarado pode também ser utilizado numa avaliação preliminar de exposição.

AVISO:

- A emissão de vibração durante a utilização real da ferramenta eléctrica pode ser diferente do valor de emissão declarado, dependendo da forma como a ferramenta é utilizada.
- Certifique-se de que identifica medidas de segurança, para proteger o operador, que são baseadas numa estimativa de exposição nas condições reais de utilização (tendo em conta todas as partes do ciclo de funcionamento, como as vezes que a ferramenta é desligada e quando está a trabalhar ao ralenti, além do tempo de utilização).

Apenas para países europeus

ENH003-14

Declaração de conformidade CE

Nós, a Makita Corporation, como fabricante responsável, declaramos que a(s) máquina(s) Makita seguinte(s):

Designação da máquina:

Pinador para concreto a bateria

Nº/Tipo de modelo: GN420C

são de produção em série e

Está em conformidade com as directivas europeias seguintes:

2006/42/EC

E são fabricadas de acordo com as normas e documentos padronizados seguintes:

EN792, EN60745

A documentação técnica é mantida por:
Makita International Europe Ltd.
Technical Department,
Michigan Drive, Tongwell,
Milton Keynes, Bucks MK15 8JD, Inglaterra

29. 03. 2012



Tomoyasu Kato
Director
Makita Corporation
3-11-8, Sumiyoshi-cho,
Anjo, Aichi, 446-8502, JAPAN

DANSK (Originalvejledning)

Forklaring til generel oversigt

- | | | |
|------------------------------|---------------------|------------------------|
| 1. Beskyttelsesbriller | 10. Lampe | 19. Krog |
| 2. Ansigtsskærm | 11. Indikatorlampe | 20. Sømstopper |
| 3. Gaspatrondæksel | 12. Batteripakke | 21. Bolt |
| 4. Afbryderkontakt | 13. Knap | 22. Tynd stålplade |
| 5. Magasin | 14. Lampeknop | 23. Sømmedybde i beton |
| 6. Håndtag til trykanordning | 15. Doseringsventil | 24. Understyrestykke |
| 7. Trykknop | 16. Hætte | 25. Filterdæksel |
| 8. Kontaktelement | 17. Dyse | 26. Filter |
| 9. Udstødningsåbning | 18. Justeringsenhed | |

SPECIFIKATIONER

Model	GN420C	
Sømkapacitet	20 søm (2 bånd)	40 søm (4 bånd)
Størrelse (L X B X H)	315 mm x 108 mm x 390 mm	430 mm x 108 mm x 390 mm
Nettovægt	3,6 kg	3,8 kg
Sømlængde X skafflængde	Sømlængde: 15 mm - 40 mm, d: 2,6 mm - 3,1 mm	
Nominal spænding	7,2 V jævnstrøm	

- På grund af vores løbende forsknings- og udviklingsprogram kan specifikationerne heri ændres uden forudgående varsel.
- Specifikationerne og batteripakken kan variere fra land til land.
- Vægt, inklusive batteripakken, i henhold til EPTA-Procedure 01/2003

Symboler

END107-7

Her vises de symboler, der benyttes til udstyret. Vær sikker på, at du forstår deres betydning, før du bruger udstyret.



..... Anvend ikke værktøjet på stilladser eller stiger.



..... Advarsel: varm overflade!
Rør ikke omkring dette symbol. Berøring af overfladen kan medføre forbrændinger eller personskader.



..... Kun for EU-lande
Elektrisk udstyr eller batteripakke må ikke bortskaffes sammen med almindeligt affald!
I henhold til det europæiske direktiv om bortskaffelse af elektriske og elektroniske produkter og om batterier og akkumulatører og bortskaffelse af batterier og akkumulatører og deres implementering under gældende national lovgivning skal brugt elektrisk udstyr, batterier og batteripakke(r), der har udtjent deres levetid, indsamles separat og returneres til miljøgodkendt genindvinding.

Tilsligtet anvendelse

ENE072-1

Dette værktøj er beregnet til fastgøring af en tynd stålplade på beton.

Generelle sikkerhedsadvarsler for maskiner

GEA010-1

ADVARSEL Læs alle sikkerhedsadvarsler og alle instruktioner. Hvis De ikke følger alle advarsler og



... Læs brugsanvisningen.



..... Beholder under tryk som skal holdes væk væk fra temperaturer over 50°C (fx solstråler). Opbevar beholderen på et sted med ordentlig ventilation.



..... Må kun bruges udenfor og i rum med ordentlig ventilation. Undlad at indånde gas.



..... Må ikke bruges i nærheden af flammer eller sprøjtes på varme overflader. Under brug kan der dannes en brandfarlig/eksplosiv damp-luftblanding.



..... Beholderen må ikke punkteres eller brændes selv efter brug.



..... Bær beskyttelsesbriller.



..... Hold fingrene væk fra afbryderkontakten, når du ikke slår søm i, for at undgå utilsigtet affyring.



..... Må kun bruges på steder med ordentlig ventilation for at undgå kvalme og tab af bevidsthed. Brug aldrig værktøjet i brandfarlige atmosfærer. Værktøjets udstødning kan antænde brandfarlige materialer.

instruktioner, kan det medføre elektrisk stød, brand og/eller alvorlig personskade.

Gem alle advarsler og instruktioner til senere reference.

Sikkerhedsadvarsler for ledningsfri sømpistol/hæftepistol

ENB111-4

⚠ ADVARSEL Læs alle sikkerhedsadvarslerne og alle instruktionerne. Det kan medføre alvorlig personskade, elektrisk stød og/eller brand, hvis du ikke overholder advarslerne og følger instruktionerne.

Gem alle advarsler og instruktioner så du har dem til fremtidig brug.

Af hensyn til din personlige sikkerhed og for at sikre korrekt brug og vedligeholdelse af værktøjet skal du læse denne brugsanvisning, før du anvender værktøjet.

Generel sikkerhed

- Lad ikke uøvede personer benytte værktøjet.
- Undlad at lege med værktøjet. Hav respekt for værktøjet som værende et arbejdsredskab.
- Undlad at benytte det, hvis du er påvirket af alkohol, medicin eller lignende.
- Foretag aldrig ændringer på værktøjet.

Personligt sikkerhedsudstyr

- Bær altid beskyttelsesbriller for at beskytte øjnene mod støv eller skader forårsaget af befæstelselementer.
- **⚠ ADVARSEL:** Det er arbejdsgiverens ansvar at påbyde brug af beskyttelsesudstyr til øjnene af brugerne af værktøjet samt af andre personer i arbejdsområdet.

Gælder kun Australien og New Zealand

Bær altid beskyttelsesbriller og ansigtsskærm for at beskytte øjnene mod støv eller skader forårsaget af befæstelselementer. Beskyttelsesbrillerne og ansigtsskærmen skal være i overensstemmelse med AS/NZS 1336. (Fig. 1)

- Bær høreværn for at beskytte hørelsen mod udstødningsstøj, og bær desuden hovedbeskyttelse. Bær også let, men ikke løs beklædning. Ærmer skal være knappede eller rullet op. Undlad at bære slips.

Sikkerhedsregler for arbejdsområdet

- Brug aldrig værktøjet i lukkede eller dårligt ventilerede rum. Ellers kan kulilte muligvis forårsage svimmelhed, kvalme eller tab af bevidsthed.
- Hold arbejdsområdet rent og ordentligt belyst. Rodede eller mørke arbejdsområder medfører uheld.
- Betjen ikke værktøjet i eksplosive atmosfærer, for eksempel ved tilstedeværelse af brændbare væsker, gasser eller støv. Betjening af værktøjet fremkalder gnister, der kan antænde støv eller dampe.
- Hold børn og andre i nærheden på afstand under betjeningen af et værktøjet. Distractioner kan medføre, at du mister kontrollen med værktøjet.
- Sørg for, at arbejdsområdet er tilstrækkeligt belyst.
- Der kan gælde lokal lovgivning vedrørende støj, som skal overholdes for at holde støjniveauet inden for de

lovmæssige grænser. I nogle tilfælde skal der benyttes skodder til at dæmpe støjen.

Sikkerhedsudstyr

- Sørg for, at alle sikkerhedssystemer fungerer, før anvendelsen. Værktøjet må ikke bruges, hvis der kun trækkes i afbryderkontakten, eller blot ved at kontakttarmen trykkes mod træet. Det må kun fungere, når begge disse handlinger udføres. Kontroller for eventuel fejlfunktion uden befæstelselementer i værktøjet og med trykanordningen i fuldt indtrykket position.
- Undlad at pille ved kontaktelelementet. Det forhindrer udladning ved uheld, og det skal derfor forblive monteret og må ikke fjernes. Det er også meget farligt at fastlåse afbryderkontakten i ON-stillingen. Forsøg aldrig at fastlåse afbryderkontakten. Undlad at betjene værktøjet, hvis nogen del af værktøjets betjeningskontroller ikke kan benyttes, er deaktiveret, ændret eller ikke fungerer korrekt.
- Forsøg ikke at holde kontaktelelementet nede ved hjælp af tape eller ståltråd. Det kan afstedkomme dødsfald eller alvorlig personskade.
- Kontroller altid kontaktelelementet som beskrevet i denne brugsanvisning. Der kan affyres befæstelselementer ved et uheld, hvis sikkerhedsmekanismen ikke fungerer korrekt.

Isætning af befæstelselementer

- Undlad at sætte befæstelselementer i værktøjet, mens en af betjeningskontrollerne er aktiveret.
- Brug kun de befæstelselementer, der er angivet i denne brugsanvisning. Brug af andre befæstelselementer kan muligvis beskadige værktøjet.

Drivkilde

- Brug kun værktøjet sammen med en ægte Makita gaspatron.
- Rør ikke ved den flydende gas som sprayes ud af gaspatronen. Kontakt med gassen kan medføre personskade.
- Risiko for brand og eksplosion. Når du håndterer gaspatronen med henblik på opbevaring, transport, isætning i og udtagning af værktøjet og bortskaffelse:
 - Den må ikke udsættes for sollys og temperaturer over 50°C;
 - Undgå rygning;
 - Undgå gnister og åbn ild.
- Sørg altid for at tage batteripakken ud og fjerne alle befæstelselementerne:
 - Når værktøjet efterlades uden opsyn;
 - Før du udfører vedligeholdelse eller reparation;
 - Før du fjerner fastklemte befæstelselementer;
 - Før værktøjet transporteres til et andet sted.

Betjeningsikkerhed

- Kontroller altid værktøjets generelle tilstand, og se efter løse skruer før brugen. Stram til efter behov.
- Håndter værktøjet forsigtigt, da der er højtryk inde i værktøjet, som kan være farlig, hvis hårdhændet behandling (stød eller slag) forårsager revner. Forsøg ikke at snitte eller gravere i værktøjet.
- Stop arbejdet øjeblikkeligt, hvis du bemærker fejlfunktion eller noget unormalt ved værktøjet. Anvend ikke værktøjet, hvis det ikke fungerer korrekt.

- Ret ikke udstødsporten mod personer i nærheden. Hold hænder og fødder borte fra området omkring udstødsporten.
- Gå altid ud fra at værktøjet indeholder befæstelseselementer.
- Ret aldrig værktøjet mod dig selv eller andre, uanset om det indeholder befæstelseselementer eller ej.
- Arbejd stille og roligt og uden at belaste værktøjet. Håndter værktøjet forsigtigt.
- Aktiver ikke værktøjet, medmindre det er placeret fast mod arbejdsområdet.
- Bær eller hold aldrig værktøjet med fingeren på afbryderkontakten og giv aldrig værktøjet videre til andre på den måde. Utilsigtet affiring kan medføre alvorlig personskade.
- Anvend aldrig skrueautomater, der er mærket med symbolet "Må ikke anvendes på stilladser, stiger" til bestemte formål, f.eks.:
 - Ved skift fra et arbejdssted til et andet, der involverer brug af stilladser, trapper, stiger eller stigelignende konstruktioner som f.eks. taglægger.
 - Lukning af kasser eller tremmekasser;
 - Montering af transportsikkerhedssystemer, f.eks. på biler og vogne.
- Kontroller vægge, lofter, gulve, tage og lignende omhyggeligt for at undgå risiko for elektrisk stød, gasudslivning, eksplosioner osv. ved at ramme strømførende ledninger, vandledninger eller gasrør.
- Anvend ikke værktøjet til fastgørelse af elkabler. Det er ikke beregnet til fastgørelse af elkabler, og kan skade elkablens isolering og dermed forårsage elektriske stød eller brandfare.
- Vær opmærksom på fodfæstet, og hold balancen med værktøjet. Sørg for, at der ikke er nogen under dig, når du arbejder på højtliggende steder for at forebygge fare i tilfælde af pludselige ryk eller ved fastklemning.
- På tage og andre højtliggende steder skal du skyde befæstelseselementer i, efterhånden som du bevæger dig fremad. Du risikerer at miste fodfæstet, hvis du skyder befæstelseselementer i, mens du går baglæns. Når du skyder befæstelseselementer i lodrette overflader, skal du starte oppefra og bevæge dig nedefter. På denne måde kan du arbejde uden at blive træt.
- Et befæstelseselement kan blive bøjet eller sidde fast i værktøjet, hvis du ved en fejltagelse driver et befæstelseselement oven i et andet befæstelseselement eller rammer en knast i træet. Befæstelseselementet kan blive slynget ud og ramme personer, eller selve værktøjet kan reagere på en farlig måde. Vær omhyggelig med placeringen af befæstelseselementer.
- Forsøg aldrig at skyde befæstelseselementer i fra både indersiden og ydersiden på samme tid. Befæstelseselementerne kan gå igennem og/eller flyve væk og udgøre en alvorlig fare.

Service

- Udfør rengøring og vedligeholdelse, umiddelbart efter at du er færdig med arbejdet. Hold værktøjet i perfekt stand. Smør bevægelige dele for at forebygge rust og slid som følge af friktion. Tør alt støv bort fra delene.
- Bed et autoriseret Makita-servicecenter om at udføre regelmæssigt eftersyn af værktøjet.

- For at holde produktet SIKKERT og PÅLIDELIGT skal vedligeholdelse udføres af autoriserede Makita-servicecentre, og der skal benyttes Makita-reservedele.

GEM DISSE INSTRUKTIONER.

⚠ ADVARSEL:

LAD IKKE tryghed eller kendskab til produktet (fra gentagen brug) føre til, at du ikke strengt overholder sikkerhedsreglerne for det gældende produkt. MISBRUG eller manglende overholdelse af sikkerhedsreglerne i denne brugsanvisning kan medføre alvorlig personskade.

VIGTIGE SIKKERHEDSINSTRUKTIONER

ENC009-1

FOR BATTERIPAKKEN

1. **Før brugen af batteripakken skal du læse alle instruktioner og advarsler på (1) batteriopladeren, (2) batteriet og (3) det produkt, som batteriet anvendes i.**
2. **Skil ikke batteripakken ad.**
3. **Hvis driftstiden bliver betydeligt kortere, skal brugen straks ophøre. Fortsat brug kan medføre risiko for overophedning, risiko for forbrændinger eller endog eksplosion.**
4. **Hvis du får elektrolyt i øjnene, skal du med det samme rense øjnene med rent vand og søge læge. Det kan medføre tab af synet.**
5. **Kortslut ikke batteripakken:**
 - (1) **Undgå at røre ved terminalerne med ledende materiale.**
 - (2) **Undgå at opbevare batteripakken i en beholder med andre metalgenstande som f.eks. søm, mønter osv.**
 - (3) **Udsæt ikke batteripakken for vand eller regn. Hvis batteriet kortsluttes, kan det medføre voldsom strøm, overophedning, mulige forbrændinger og endog nedbrud.**
6. **Undgå at opbevare maskinen og batteripakken på steder, hvor temperaturen kan komme op på eller overstige 50°C.**
7. **Sæt ikke ild til batteripakken, selvom den er alvorligt beskadiget eller helt udtjent. Batteripakken kan eksplodere ved brand.**
8. **Undgå at tabe eller slå på batteriet.**
9. **Undlad brug af et beskadiget batteri.**

GEM DISSE INSTRUKTIONER.

Tips til, hvordan du forlænger batteriets levetid

1. **Oplad batteripakken, før den bliver helt afladet. Ophør med at bruge maskinen, og udskift batteripakken, hvis strømmen til maskinen aftager.**
2. **Oplad aldrig en fuldt opladet batteripakke. Overopladning forkorter batteriets levetid.**

3. Oplad batteripakken ved stuetemperatur på 10 °C - 40 °C. Lad batteripakken køle ned før den oplades, hvis den er varm.

Oversigt over sømpistolen (Fig. 2)

FUNKTIONSBESKRIVELSE

⚠ FORSIGTIG:

- Sørg altid for at fjerne gaspatronen, batteripakken og sømmene, inden du justerer eller kontrollerer funktionen af værktøjet.

Montering eller afmontering af batteripakke

⚠ FORSIGTIG:

- Sluk altid for maskinen inden montering eller afmontering af batteripakken.
- **Hold godt fast i maskinen og batteripakken, når du monterer eller afmonterer batteripakken.** Hvis maskinen og batteripakken ikke holdes ordentligt fast, kan de glide ud af hænderne og resultere i skader på maskinen og batteripakken samt personskade. (Fig. 3)

Når du monterer batteripakken, skal du holde den sådan, at forkannten på batteripakken passer ind i batteriåbningen, og skubbe den ind på plads. Sæt den hele vejen ind, indtil den låses på plads med et lille klik. (Fig. 4)

Ved afmontering af batteripakken trækkes den ud af maskinen, mens der trykkes ind på begge sider af pakken.

⚠ FORSIGTIG:

- Sæt altid batteripakken helt ind, indtil den låses på plads. Ellers kan den falde ud af maskinen og skade dig eller andre personer i nærheden.
- Anvend ikke kræfter ved monteringen af batteripakken. Hvis den ikke glider let ind, er den ikke indsat korrekt.

Tænding af lampen

⚠ FORSIGTIG:

- Se ikke direkte ind i lyset eller lyskilden. (Fig. 5)
- Tryk på lampeknappen for at tænde for lampen. Tryk på lampeknappen igen for at slukke for lampen.

Gaspatron

Monter doseringsventilen på gaspatronen (Fig. 6)

Løsn hættten (hvis doseringsventilen er udstyret med en hætte). (Fig. 7)

Tryk ind på den forreste kant. (Fig. 8)

Tryk ind på den bagerste kant indtil den sidder på plads.

Isætning af gaspatronen (Fig. 9)

Tryk op og og træk i gaspatrondækslet for at åbne det.

(Fig. 10)

Isæt gaspatronen med dysen på doseringsventilen vendende mod adapteren. (Fig. 11)

Sæt dysen ordentligt ind i det lille hul i adapteren.

(Fig. 12)

Placer gaspatrondækslet over doseringsventilen og tryk ned for at låse det fast.

Justering af søm dybden

⚠ FORSIGTIG:

- Fjern gaspatronen, batteripakken og sømmene, inden du justerer søm dybden. (Fig. 13)

For at få en mindre dybde skal du dreje

justeringsenheden hen i højreretningen som vist på figuren. For at få en større dybde skal du dreje justeringsenheden hen i venstretningen.

Drej ikke for meget på justeringsenheden, da den ellers kan sætte sig fast.

Indikatorlampe

Farven på indikatorlampen har følgende betydninger.

Blinker grønt: Normal status

Blinker rødt: Du er nødt til at genoplade batteripakken

Lyser rødt: Genoplad batteripakken. Kan ikke sømme pga. mangel på strøm på batteriet.

Blinker orange: Grundig rengøring anbefales. Se afsnittet "VEDLIGEHOLDELSE" angående grundig indvendig rengøring af maskinen. For at nulstille den orange blinken af indikatorlampen skal du skubbe kontaktelelementet i fem sekunder, og derefter skubbe kontaktelelementet fem gange.

Blinker orange efter at have blinket henholdsvis

grønt og rødt. Fejldetektion kører. Tag batteripakken ud

og sæt den i igen for at nulstille værktøjet. Hvis fejldetektionen kører igen, er der funktionsfejl på værktøjet. Henvend dig til dit lokale Makita-servicecenter angående reparation.

Krog

⚠ FORSIGTIG:

Tag altid batteriet ud når du hænger værktøjet på noget. Hæng ikke værktøjet i dit bælte. (Fig. 14)

Krogen er praktisk til midlertidigt at hænge værktøjet i. Krogen kan indstilles i to positioner, alt efter hvor værktøjet skal hænges.

For at ændre positionen af krogen skal du trykke ind på begge sidder og skifte til anden position.

MONTERING

⚠ FORSIGTIG:

- Fjern altid gaspatronen og batteripakken inden du udfører noget arbejde på værktøjet.

Isætning af søm i sømpistolen (Fig. 15)

Indsæt et sømbånd i sprækkene bagerst i magasinet.

Sømmene stopper ved indgangen til magasinet pga.

sømostopperen. Lås magasinet op ved at trykke på

knappen til sømostopperen så du kan sætte sømmene i. (Fig. 16)

Træk håndtaget til trykanordningen hele vejen ned til bagenden af magasinet med trykknappen trykket ind. Slip derefter trykknappen og returner forsigtigt håndtaget til trykanordningen til enden af båndet.

Udtagning af søm (Fig. 17)

Træk i håndtaget til trykanordningen og tryk på

trykknappen for at frigøre sømfremføreren og returner håndtaget til trykanordningen til toppen ved at trykke på

trykknappen.

Skub sømmene mod enden af magasinet. Sømmene stopper ved indgangen til magasinet pga. sømstopperen. Lås magasinet op ved at trykke på knappen til sømstopperen så du kan fjerne sømmene.

Ændring af magasinet (ekstraudstyr) (Fig. 18)

Der kan fås et magasin med en anden længde som ekstraudstyr.

For at ændre magasinet skal du løsne boltene og fjerne magasinet. Monter derefter det nye magasin. Og fastgør boltene på magasinet.

BETJENING

⚠ ADVARSEL:

- **Rør ikke omkring denne udstødningsåbning.** Overfladen bliver meget varm under og efter anvendelse. Berøring omkring udstødningsåbningen kan medføre forbrændinger eller personskader.

⚠ FORSIGTIG:

- Sørg for, at alle sikkerhedssystemer fungerer, før anvendelsen. (Fig. 19)
1. For at slå søm i, skal du først placere kontaktelementet på arbejdsområdet.
Ventilatormotoren aktiveres, der sprøjtes gas ind i forbrændingskammeret, og det blandes med luft vha. ventilatoren. (Fig. 20)
 2. Hold kontaktelementet trykket ordentligt ned og træk i afbryderkontakten.
Gassen forbrændes, og sømmet slås i.
 3. Yderligere islåning af søm kan kun udføres ved at både kontaktelementet og afbryderkontakten udløses.

Sømning i beton

⚠ ADVARSEL:

- Brug kun hærdede søm til beton.
Brug af søm til andre formål kan forårsage alvorlige skader. Sø m ikke direkte på betonen. Overholdes dette ikke, kan det medføre, at der ryger betonstykker af, eller at sømmene slås tilbage og forårsager alvorlige skader.
- Når du skyder søm i, skal du holde værktøjet, så det står lodret ud fra overfladen.
Skrå søm- idrivning kan medføre, at der ryger betonstykker af, eller at sømmene slås tilbage og forårsager alvorlige skader.
- Værktøjet må ikke bruges på flader, der er hængt genstande på, som f.eks. et område hvor der er opsat kloakerør, støvrør osv.

Vælg og brug passende søm som når mellem 15 mm - 20 mm ind i betonen. (Fig. 21)

⚠ FORSIGTIG:

- Brug kun dette værktøj til forholdsvis nyopbygget blød beton. Bruges værktøjet på hård beton kan det medføre at sømmene bøjer, eller de ikke sømmes tilstrækkeligt dybt ind.
- Når der kræves en sømmedybde på mere end 20 mm, kan sømmene måske ikke længere skydes i til den tilstrækkelige dybde. Hvis sømmene skydes for lidt ind, kan det medføre et ustabilt arbejdselement, hvilket kan forårsage personskader og materielle skader.

Mekanisme til forhindring af affyring uden søm

Denne mekanisme forhindrer værktøjet i at affyre uden søm.

Mekanismen til forhindring af affyring uden søm fungerer automatisk, når der kun er 2-3 søm tilbage.

Blokering i sømpistolen

⚠ ADVARSEL:

- Sørg altid for at fjerne gaspatronen og batteripakken, inden du afhjælper fastklemning.

⚠ FORSIGTIG:

- Anvend ikke søm eller sømbånd, som er deformet.
Undladelse af dette medfører en dårlig sømfremføring.
- Foretag den følgende procedure til fjernelse af søm og fjern de fastlåste søm. (Fig. 22)
- Fjern gaspatronen, batteripakken og sømmene. Løsn boltene på magasinet. Fjern magasinet og fjern de fastlåste søm. (Fig. 23)
- Hvis sømmene ikke kan fjernes, efter du har foretaget metoden ovenfor, skal du gøre som følger.
- Sæt en lille pind eller lignende ind i udstødsporten, og bank let på den med en hammer for at skubbe de fastlåste søm ud fra udstødsporten. (Fig. 24 og 25)
- Hvis der stadig sidder søm i udstødsporten, skal du gøre som følger.
- Løsn boltene på udstødsporten med en unbrakonøgle. Fjern understyrestykket. Og fjern derefter de fastlåste søm.
- Sæt understyrestykket tilbage og spænd boltene, efter de fastlåste søm er fjernet.
- Sæt magasinet på igen og spænd boltene.

VEDLIGEHOLDELSE

⚠ FORSIGTIG:

- Sørg altid for at fjerne gaspatronen, batteripakken og sømmene, før du udfører eftersyn eller vedligeholdelse.
- Brug aldrig benzin, benzen, fortynder, alkohol eller lignende. Det kan muligvis medføre misfarvning, deformation eller revner.

Vedligeholdelse efter dagligt arbejde

Udfør en afslutningsrutine ved arbejdsdagens ophør. Disse enkle trin er baseret på bevaring af værktøjets sikkerhed og ydelse.

Inden du forlader arbejdsstedet:

- Tag batteripakken ud og læg værktøjet ned i en værktøjskuffert. Anvend altid værktøjskufferten til transport og opbevaring af værktøjet.
- Bortskaf alle tomme gaspatroner således, at de ikke bliver fundet af børn, knust, punkteret eller brændt.

Når du kommer hjem:

- Placer batteripakken i opladeren, hvis den behøver at oplades, som indikeret vha. den røde indikatorlampe.
- Tør værktøjet af med en ren, blød klud.
- Kontroller filteret og rengør det, hvis det er støvet.

Rengøring af luftfilteret (Fig. 26 og 27)

Tryk en lille smule op på filterdækslet og fjern det. Og løft derefter blot filteret ud.

Bank let på filteret for at fjerne støv. Vand og sæbe genopretter filteret, så det næsten bliver som nyt.

For at holde produktet SIKKERT og PALIDELIGT skal reparationer samt al anden vedligeholdelse eller justering udføres af autoriserede Makita-servicecentre, og der skal altid benyttes Makita-reservedele.

Grundig rengøring

Hvis der ofte affyres uden søm, betyder det, at værktøjet trænger til at blive gjort grundigt rent.

Se den medfølgende rengøringsvejledning angående detaljer og udfør rengøringen.

Hvis du har nogen spørgsmål angående rengøring, skal du henvende dig til dit lokale Makita-servicecenter.

EKSTRAUDSTYR

FORSIGTIG:

- Dette tilbehør eller ekstraudstyr anbefales til brug med det Makita-værktøj, som er beskrevet i denne brugsanvisning. Brug af andet tilbehør eller ekstraudstyr kan forårsage personskade. Brug kun tilbehør eller ekstraudstyr til det formål, det er beregnet til.

Henvend dig til dit lokale Makita-servicecenter, hvis du har brug for hjælp eller yderligere oplysninger vedrørende tilbehøret.

- Søm
- Magasin
- Sikkerhedsbriller
- Gaspatron
- Rengørings sæt
- Originalt batteri og oplader fra Makita

BEMÆRK:

- Visse dele på listen er muligvis indeholdt maskinindpakningen som standardtilbehør. De kan variere fra land til land.

Støj ENG905-1

Det typiske A-vægtede støjniveau bestemt i overensstemmelse med EN792:

Lydtryksniveau (L_{pA}): 89 dB (A)

Lydeffektniveau (L_{WA}): 102 dB (A)

Usikkerhed (K): 3 dB (A)

Bær høreværn

Vibration ENG904-2

Den samlede vibrationsemissionsværdi er bestemt i henhold til EN792:

Vibrationsemission (a_h): 3,5 m/s²

Usikkerhed (K): 1,5 m/s²

ENG901-1

- Den opgivne vibrationsemissionsværdi er målt i overensstemmelse med standardtestmetoden og kan bruges til at sammenligne et værktøj med et andet.
- Den opgivne vibrationsemissionsværdi kan muligvis også bruges til en indledende eksponeringsvurdering.

ADVARSEL:

- Vibrationsemissionen under den faktiske brug af maskinen kan afvige fra den opgivne emissionsværdi afhængigt af den måde, maskinen anvendes på.

- Sørg for at bestemme sikkerhedsforanstaltninger for beskyttelse af operatøren, som er baseret på en eksponeringsvurdering for brug under faktiske forhold (hvor alle anvendelsescyklussens dele inddrages, som f.eks. antal gange maskinen slukkes, og når den kører i tomgang ud over triggetiden).

Kun for europæiske lande

ENH003-14

EF-overensstemmelseserklæring

Vi, Makita Corporation, erklærer som ansvarlig producent at følgende Makita-maskine(r):

Maskinens betegnelse:

Ledningsfri betonsømpistol

Modelnummer/ type: GN420C

er en produktionsserie og

Overholder følgende europæiske direktiver:

2006/42/EF

Og er produceret i overensstemmelse med følgende standarder eller standardiserede dokumenter:

EN792, EN60745

Den tekniske dokumentation findes hos:

Makita International Europe Ltd.

Technical Department,

Michigan Drive, Tongwell,

Milton Keynes, Bucks MK15 8JD, England

29. 03. 2012



Tomoyasu Kato

Direktør

Makita Corporation

3-11-8, Sumiyoshi-cho,

Anjo, Aichi, 446-8502, JAPAN

ΕΛΛΗΝΙΚΑ (Πρωτογενείς οδηγίες)

Περιγραφή γενικής όψης

- | | | |
|-------------------------|-------------------------|--|
| 1. Προστατευτικά γυαλιά | 10. Λυχνία | 19. Άγκιστρο |
| 2. Προσωπίδα | 11. Ενδεικτική λυχνία | 20. Αναστολέας καρφίων |
| 3. Κάλυμμα καυσίμου | 12. Κασέτα μπαταρίας | 21. Μπουλόνι |
| 4. Σκανδάλη | 13. Κουμπί | 22. Λεπτό ασάλινο έλασμα |
| 5. Γεμιστήρας | 14. Κουμπί λυχνίας | 23. Εύρος εισώρησης μέσα στο
τσιμέντο |
| 6. Μοχλός ωθητή | 15. Δοσιμετρική βαλβίδα | 24. Κάτω κινητήριος οδηγός |
| 7. Κουμπί ωθητή | 16. Καπάκι | 25. Κάλυμμα φίλτρου |
| 8. Στοιχείο επαφής | 17. Ακροφύσιο εκροής | 26. Φίλτρο |
| 9. Άνοιγμα εξάτμισης | 18. Ρυθμιστής | |

ΠΡΟΔΙΑΓΡΑΦΕΣ

Μοντέλο	GN420C	
Χωρητικότητα καρφίων	20 καρφία (2 λωρίδες)	40 καρφία (4 λωρίδες)
Διαστάσεις (Μ Χ Π Χ Υ)	315 mm X 108 mm X 390 mm	430 mm X 108 mm X 390 mm
Καθαρό βάρος	3,6 κιλά	3,8 κιλά
Μήκος καρφιού Χ Διάμετρος στελέχους	Μήκος καρφιού: 15 mm - 40 mm, διάμετρος: 2,6 mm - 3,1 mm	
Ονομαστική τιμή τάσης	D.C. 7,2 V	

- Λόγω του συνεχόμενου προγράμματος που εφαρμόζουμε για έρευνα και ανάπτυξη, τα τεχνικά χαρακτηριστικά στο παρόν έντυπο υπόκεινται σε αλλαγή χωρίς προειδοποίηση.
- Τα τεχνικά χαρακτηριστικά και η μπαταρία ενδέχεται να διαφέρουν από χώρα σε χώρα.
- Βάρος μαζί με την μπαταρία σύμφωνα με τη διαδικασία της ΕΡΤΑ 01/2003

Σύμβολα

END107-7

Παρακάτω παρουσιάζονται τα σύμβολα που χρησιμοποιούνται για τον εξοπλισμό. Βεβαιωθείτε ότι κατανοείτε τη σημασία τους πριν από τη χρήση.



... Διαβάστε το εγχειρίδιο οδηγιών.



..... Δοχείο υπό πίεση, κρατήστε το μακριά από θερμοκρασίες μεγαλύτερες των 50°C (π.χ. ηλιακή ακτινοβολία). Διατηρήστε το δοχείο σε ένα χώρο με καλό αερισμό.



..... Χρησιμοποιήστε μόνο σε εξωτερικό χώρο ή σε καλά αεριζόμενα δωμάτια. Μην αναπνεύσετε το αέριο.



..... Μην χρησιμοποιείτε κοντά σε φλόγες ή σπρέι σε θερμαινόμενες επιφάνειες. Κατά τη χρήση μπορεί να σχηματίσει εύφλεκτο/εκρηκτικό μίγμα ατμού-αέρα.



..... Μην προκαλέσετε φθορά, τρύπημα ή αποτεφρώσετε μετά τη χρήση.



..... Να φοράτε γυαλιά προστασίας.



..... Κρατήστε τα δάκτυλά σας μακριά από τη σκανδάλη όταν δεν καρφώνετε συνδετήρες για την αποφυγή της τυχαίας εκπυροσκρότησης.



..... Χρησιμοποιήστε το μόνο σε καλά αεριζόμενους χώρους για την αποφυγή της πρόκλησης της ναυτίας και της λιποθυμίας. Ποτέ να μην



..... Μην χρησιμοποιείτε σε σκαλωσιές ή σκάλες.



..... Προειδοποίηση: θερμή επιφάνεια! Μην αγγίζετε γύρω από αυτό το σύμβολο. Το άγγιγμα της επιφάνειας μπορεί να προκαλέσει εγκαύματα ή τραυματισμούς.



..... Μόνο για τις χώρες της ΕΕ
Μην απορρίπτετε τον ηλεκτρικό εξοπλισμό ή την μπαταρία μαζί με τα οικιακά απορρίμματα!
Σύμφωνα με την Ευρωπαϊκή Οδηγία περί απορριμμάτων ηλεκτρικών, ηλεκτρονικών συσκευών, μπαταριών και συσσωρευτών και των απορριμμάτων μπαταριών και συσσωρευτών και την ενσωμάτωσή τους στην εθνική νομοθεσία, οι ηλεκτρικές συσκευές, οι μπαταρίες και οι κασέτες μπαταριών, των οποίων έχει παρέλθει ο χρόνος ωφέλιμης ζωής τους, πρέπει να συλλέγονται ξεχωριστά και να επιστρέφονται σε εγκαταστάσεις περιβαλλοντικής ανακύκλωσης.

Προοριζόμενη χρήση

Το εργαλείο προορίζεται για τη στερέωση ενός λεπτού ασάλινο ελάσματος πάνω σε τσιμέντο.

ENE072-1

Γενικές Προειδοποιήσεις Ασφαλείας Του Ηλεκτρικού Εργαλείου

GEA010-1

⚠ ΠΡΟΕΙΔΟΠΟΙΗΣΗ Διαβάστε όλες τις προειδοποιήσεις ασφαλείας και όλες τις οδηγίες. Αν δεν ακολουθήσετε όλες τις προειδοποιήσεις και τις οδηγίες, υπάρχει κίνδυνος ηλεκτροπληξίας, πυρκαγιάς ή/και σοβαρού τραυματισμού.

Φυλάξτε όλες τις προειδοποιήσεις και τις οδηγίες για μελλοντική αναφορά.

Προειδοποιήσεις ασφαλείας καρβονάτη/συρραπτικού μπαταρίας

ENB111-4

⚠ ΠΡΟΕΙΔΟΠΟΙΗΣΗ Διαβάστε όλες τις προειδοποιήσεις ασφαλείας και όλες τις οδηγίες. Αν δεν ακολουθήσετε όλες τις προειδοποιήσεις και τις οδηγίες, μπορεί να προκληθεί σοβαρός τραυματισμός, ηλεκτροπληξία ή/και πυρκαγιά.

Φυλάξτε όλες τις προειδοποιήσεις και τις οδηγίες για μελλοντική αναφορά.

Για την προσωπική ασφάλεια και τη σωστή λειτουργία και συντήρηση του εργαλείου, διαβάστε αυτό το εγχειρίδιο οδηγιών πριν χρησιμοποιήσετε το εργαλείο.

Γενική ασφάλεια

- Μην επιτρέπετε σε ανειδίκευτα άτομα να χρησιμοποιούν το εργαλείο.
- Μην αστειεύεστε με το εργαλείο. Να παίρνετε το εργαλείο στα σοβαρά κατά την εκτέλεση της εργασίας.
- Μη θέτετε το εργαλείο σε λειτουργία όταν βρίσκεται υπό την επήρεια αλκοόλ, φαρμάκων ή παρόμοιων ουσιών.
- Ποτέ να μην τροποποιήσετε το εργαλείο.

Εξοπλισμοί προσωπικής προστασίας

- Να φοράτε πάντοτε γυαλιά προστασίας για να προστατεύετε τα μάτια σας από τραυματισμό λόγω σκόνης ή συνδετήρων.
- **⚠ ΠΡΟΕΙΔΟΠΟΙΗΣΗ:** Ο εργοδότης έχει την ευθύνη να επιβλέπει τη χρήση προστατευτικού εξοπλισμού για τα μάτια από τους χειριστές του εργαλείου και τα άλλα άτομα που βρίσκονται στην άμεση περιοχή εργασίας.

Για την Αυστραλία και τη Νέα Ζηλανδία μόνο

- Να φοράτε πάντοτε γυαλιά προστασίας και προστασία για να προστατεύετε τα μάτια σας από τραυματισμό λόγω σκόνης ή συνδετήρων. Τα προστατευτικά γυαλιά και η προσωπίδα θα πρέπει να συμμορφώνονται με τις απαιτήσεις της AS/NZS 1336. **(Εικ. 1)**
- Να φοράτε ωτοασπίδες για να προστατεύετε τα αυτιά σας από το θόρυβο της εξάτμισης, καθώς και προστατευτικό κεφαλής. Επίσης, να φοράτε ελαφρά, αλλά όχι φαρδιά ρούχα. Τα μανίκια πρέπει να είναι κουμπωμένα ή ανεβασμένα. Δεν πρέπει να φοράτε γραβάτα.

Ασφάλεια στο χώρο εργασίας

- Μη χρησιμοποιείτε ποτέ το εργαλείο σε κλειστούς ή σε φτωχά αεριζόμενους χώρους. Διαφορετικά, το

μονοξείδιο του άνθρακα μπορεί να προκαλέσει ζάλη, ναυτία ή απώλεια των αισθήσεων.

- Να διατηρείτε το χώρο εργασίας καθαρό και καλά φωτισμένο. Σε ακατάστατους ή σκοτεινούς χώρους προκαλούνται ατυχήματα.
- Μη θέτετε σε λειτουργία το εργαλείο σε εκρηκτικές ατμόσφαιρες, όπως παρουσία εύφλεκτων υγρών, αερίων ή σκόνης. Η λειτουργία του εργαλείου μπορεί να δημιουργήσει απιπυρνήρες που μπορεί να προκαλέσουν ανάφλεξη της σκόνης ή των ατμών.
- Να απομακρύνετε τα παιδιά και τους παρευρισκόμενους όταν χειρίζεστε το εργαλείο. Αν αποσπαστεί η προσοχή σας, μπορεί να χάσετε τον έλεγχο.
- Παρέχετε επαρκή φωτισμό στην περιοχή εργασίας.
- Ενδεχομένως να υπάρχουν τοπικοί κανονισμοί που αφορούν το θόρυβο και στους οποίους πρέπει να συμμορφώνεστε διατηρώντας τη στάθμη θορύβου εντός των προδιαγραφόμενων ορίων. Σε ειδικές περιπτώσεις πρέπει να χρησιμοποιούνται παραπετάσματα για τον περιορισμό του θορύβου.

Συσκευές ασφαλείας

- Βεβαιωθείτε ότι όλα τα συστήματα ασφαλείας βρισκονται σε καλή κατάσταση πριν από τη λειτουργία. Το εργαλείο δεν πρέπει να λειτουργεί αν πιεστεί μόνο η σκανδάλη ή αν πατηθεί μόνο ο βραχιόνος επαφής επάνω στο ξύλο. Πρέπει να λειτουργεί μόνο όταν εκτελούνται και οι δύο ενέργειες. Δοκιμάστε για πιθανή ελαττωματική λειτουργία όταν το εργαλείο δεν είναι γεμάτο με συνδετήρες και ο ωθητής βρίσκεται στην πλήρη τραβηγμένη θέση.
- Μην παίζετε με το στοιχείο επαφής: αυτό εμποδίζει την τυχαία εκφόρτωση, για το λόγο αυτό πρέπει να παραμένει πάντοτε στη θέση του και να μην αφαιρείται. Είναι επίσης πολύ επικίνδυνο να ασφαλίσετε τη σκανδάλη στην ενεργή θέση (ON). Ποτέ μην επιχειρήσετε να ασφαλίσετε τη σκανδάλη. Μη θέσετε το εργαλείο σε λειτουργία αν οποιοδήποτε τμήμα των χειριστηρίων λειτουργίας είναι χαλασμένο, αποσυνδεδεμένο, τροποποιημένο ή δεν λειτουργεί σωστά.
- Μην προσπαθήσετε να κρατήσετε το στοιχείο επαφής πιεσμένο με τα χέρια ή το σώμα. Μπορεί να προκληθεί θάνατος ή σοβαρός τραυματισμός.
- Πάντοτε να ελέγχετε το στοιχείο επαφής σύμφωνα με τις οδηγίες αυτού του εγχειριδίου, οι συνδετήρες μπορεί να πεταχτούν κατά λάθος εάν δεν λειτουργεί σωστά ο μηχανισμός ασφαλείας.

Φόρτωση συνδετήρων

- Μη γεμίστε το εργαλείο με συνδετήρες όταν είναι ενεργοποιημένο κάποιο από τα χειριστήρια λειτουργίας.
- Να χρησιμοποιείτε μόνο συνδετήρες που καθορίζονται στο εγχειρίδιο αυτό. Αν χρησιμοποιήσετε άλλους συνδετήρες, μπορεί να προκληθεί δυσλειτουργία του εργαλείου.

Πηγή ισχύος

- Να χρησιμοποιείτε το εργαλείο μόνο με το αυθεντικό στοιχείο καυσίμου της Makita.
- Μην αγγίζετε το υγραέριο που εκτοξεύεται έξω από το στοιχείο καυσίμου. Η επαφή με αυτό μπορεί να προκαλέσει τραυματισμό.

- Κίνδυνος πυρκαγιάς και έκρηξης. Κατά τον χειρισμό του στοιχείου καυσίμου με σκοπό την αποθήκευση, μεταφορά, εισαγωγή προς καθώς και έξοδο από το εργαλείο και κατά την απόρριψη:
 - μην το εκθέσετε στο ηλιακό φως και σε θερμοκρασίες που υπερβαίνουν τους 50°C (122°F),
 - μην καπνίζετε,
 - αποφύγετε τους σπινθήρες και την γυμνή φλόγα.
- Πάντα να αφαιρείτε την κασέτα μπαταρίας και όλους τους συνδετήρες:
 - όταν δεν προσέχει κανείς το εργαλείο,
 - πριν εκτελέσετε οποιαδήποτε εργασία συντήρησης ή επισκευής,
 - πριν αποκαταστήσετε κάποια εμπλοκή,
 - πριν μετακινήσετε το εργαλείο σε νέα τοποθεσία,

Ασφάλεια λειτουργίας

- Πριν από τη λειτουργία, να ελέγχετε πάντοτε τη γενική κατάσταση του εργαλείου, αλλά και αν οι βίδες είναι χαλαρές. Σφίξτε όπως απαιτείται.
- Να χειρίζεστε το εργαλείο προσεχτικά, επειδή υπάρχει υψηλή πίεση στο εσωτερικό του, που μπορεί να είναι επικίνδυνη αν προκληθεί ρωγμή από απρόσχετο χειρισμό (πώση ή χτύπημα). Μην προσπαθήσετε να κάνετε χαρακίες ή αυλακώσεις στο εργαλείο.
- Σταματήστε αμέσως τη λειτουργία αν παρατηρήσετε ότι κάτι δεν πάει καλά ή είναι ασυνήθιστο με το εργαλείο. Μην χρησιμοποιείτε κάποιο εργαλείο που δεν λειτουργεί σωστά.
- Μην στρέψετε τη θύρα εκτίναξης προς οποιοδήποτε άτομο βρίσκεται κοντά. Να κρατάτε τα χέρια και τα πόδια σας μακριά από την περιοχή της θύρας εκτίναξης.
- Να θεωρείτε πάντοτε ότι το εργαλείο περιέχει συνδετήρες.
- Μην στρέψετε το εργαλείο προς το μέρος σας ή προς οποιοδήποτε άλλον, ανεξάρτητα αν περιέχει συνδετήρες ή όχι.
- Μην βιάζεστε να εκτελέσετε την εργασία ή ασκήσετε πίεση στο εργαλείο. Να χειρίζεστε το εργαλείο προσεχτικά.
- Μην ενεργοποιείτε το εργαλείο εκτός αν βρίσκεται τοποθετημένο σταθερά επάνω στο τεμάχιο εργασίας.
- Μην κρατάτε ή μεταφέρετε ποτέ το εργαλείο με το δάκτυλό σας στη σκανδάλη ή μην το δίνετε σε κάποιον άλλον ενώ το δάκτυλό σας βρίσκεται στη σκανδάλη. Η ακούσια ενεργοποίηση μπορεί να προκαλέσει σοβαρό τραυματισμό.
- Ποτέ μη χρησιμοποιήσετε καρφωτικά εργαλεία που φέρουν την ένδειξη “Μη χρησιμοποιείτε σε σκαλωσιές, σκάλες, κτλ.” για ειδικές εφαρμογές όπως για παράδειγμα:
 - όταν κατά την αλλαγή από μια τοποθεσία καρφώματος σε μια άλλη χρησιμοποιούνται σκαλωσιές, σκαλοπάτια, σκάλες ή άλλες παρόμοιες κατασκευές, π.χ. σανίδες σκεπών,
 - κατά το κλείσιμο κιβωτίων ή τελάρων,
 - κατά την εφαρμογή συστημάτων ασφάλειας μεταφορών π.χ. σε οχήματα και βαγόνια.
- Να ελέγχετε προσεχτικά τους τοίχους, τις οροφές, τα πατώματα, τις στέγες και παρόμοιες κατασκευές για να αποφεύγετε την πιθανή ηλεκτροπληξία, διαρροή αερίου, εκρήξεις, κτλ. που προκαλούνται από

- κτυπήματα ηλεκτροφόρων καλωδίων, αγωγών ή σωληνών αερίων.
- Μη χρησιμοποιείτε το εργαλείο για τη στερέωση ηλεκτρικών καλωδίων. Δεν έχει σχεδιαστεί για την εγκατάσταση ηλεκτρικών καλωδίων και ενδέχεται να προκαλέσει ζημιά στη μόνωση των ηλεκτρικών καλωδίων, προκαλώντας κίνδυνο ηλεκτροπληξίας ή πυρκαγιάς.
- Να προσέχετε ώστε να στέκεστε καλά και να διατηρείτε την ισορροπία σας όταν χρησιμοποιείτε το εργαλείο. Να βεβαιώνετε ότι δεν υπάρχει κανείς από κάτω όταν εργάζεστε σε υψηλές τοποθεσίες για να αποφεύγετε τον κίνδυνο σε περίπτωση που συμβεί απότομο τίνιγμα ή πιάσιμο.
- Σε σκεπές και άλλες υψηλές τοποθεσίες, να καρφώνετε συνδετήρες καθώς κινείστε προς τα μπροστά. Είναι εύκολο να χάσετε την ισορροπία σας αν καρφώνετε συνδετήρες καθώς κινείστε προς τα πίσω. Όταν καρφώνετε συνδετήρες σε κατακόρυφη επιφάνεια, να καρφώνετε από την κορυφή προς τα κάτω. Με τον τρόπο αυτό, μπορείτε να εκτελείτε εργασίες καρφώματος με λιγότερη κόπωση.
- Αν από λάθος καρφώσετε ένα συνδετήρα επάνω σε ένα άλλο ή χτυπήσετε ρόζο στο ξύλο, ο συνδετήρας θα στραβώσει ή το εργαλείο θα πάθει εμπλοκή. Ο συνδετήρας μπορεί να εκτιναχθεί και να χτυπήσει κάποιον ή το ίδιο το εργαλείο μπορεί να αντιδράσει επικίνδυνα. Τοποθετήστε τους συνδετήρες με προσοχή.
- Ποτέ μην επιχειρήσετε να καρφώσετε συνδετήρες ταυτόχρονα και από μέσα και απ' έξω. Οι συνδετήρες μπορεί να διαπεράσουν το μέσο ή/και να εκτιναχθούν, γεγονός που προκαλεί σοβαρό κίνδυνο.

Σέρβις

- Να εκτελείτε καθαρισμό και συντήρηση του εργαλείου αμέσως μόλις ολοκληρώσετε την εργασία. Να διατηρείτε το εργαλείο σε άριστη κατάσταση. Να λιπαίνεται τα κινούμενα μέρη για να αποφεύγετε την οξειδωση (σκούριασμα) και να ελαχιστοποιείτε τη φθορά από την τριβή. Σκουπίστε όλη τη σκόνη από τα μέρη του εργαλείου.
- Απευθυνθείτε στα εξουσιοδοτημένα κέντρα εξυπηρέτησης της Makita για τους περιοδικούς ελέγχους του εργαλείου.
- Για να διατηρείται η ΑΣΦΑΛΕΙΑ και η ΑΞΙΟΠΙΣΤΙΑ του προϊόντος, οι εργασίες συντήρησης και επισκευής θα πρέπει να εκτελούνται σε εξουσιοδοτημένα κέντρα εξυπηρέτησης της Makita, και πάντοτε με τη χρήση ανταλλακτικών της Makita.

ΦΥΛΑΞΤΕ ΑΥΤΕΣ ΤΙΣ ΟΔΗΓΙΕΣ.

⚠ ΠΡΟΕΙΔΟΠΟΙΗΣΗ:

ΜΗΝ επιτρέψετε στη βολικότητα ή στην εξοικείωσή σας με το προϊόν (που αποκτήθηκε από επανειλημμένη χρήση) να αντικαταστήσει την αυστηρή προσήλωση στους κανόνες ασφάλειας του εν λόγω προϊόντος. Η ΛΑΝΘΑΣΜΕΝΗ ΧΡΗΣΗ ή η μη τήρηση των κανόνων ασφαλείας που διατυπώνονται στο παρόν εγχειρίδιο οδηγιών μπορεί να προκαλέσει σοβαρό τραυματισμό.

ΓΙΑ ΤΗΝ ΚΑΣΕΤΑ ΜΠΑΤΑΡΙΑΣ

1. Πριν χρησιμοποιήσετε την κασέτα μπαταρίας, διαβάστε όλες τις οδηγίες και τις ενδείξεις προφύλαξης στο (1) φορτιστή μπαταρίας, (2) στην μπαταρία και (3) στο προϊόν στο οποίο χρησιμοποιείται η μπαταρία.
2. Μην αποσυναρμολογείτε την κασέτα μπαταρίας.
3. Αν ο χρόνος λειτουργίας της μπαταρίας είναι υπερβολικά σύντομος, διακόψτε αμέσως τη λειτουργία. Αν συνεχίσετε, μπορεί να έχει ως αποτέλεσμα τον κίνδυνο υπερθέρμανσης, πιθανών εγκαυμάτων κι ακόμη έκρηξης.
4. Αν μπει στα μάτια σας ηλεκτρολύτης, ξεπλύνετε με καθαρό νερό και αναζητήστε αμέσως ιατρική βοήθεια. Μπορεί να χάσετε την όρασή σας.
5. Μην βραχυκυκλώνετε την κασέτα μπαταρίας:
 - (1) Μην αγγίζετε τους ακροδέκτες με οποιοδήποτε αγώγιμο υλικό.
 - (2) Μην αποθηκεύετε την κασέτα μπαταρίας σε δοχείο με άλλα μεταλλικά αντικείμενα, όπως καρφιά, νομίσματα, κτλ.
 - (3) Μην εκθέτετε την κασέτα μπαταρίας σε νερό ή βροχή.Αν βραχυκυκλωθεί η μπαταρία, μπορεί να προκληθεί μεγάλη ροή ηλεκτρικού ρεύματος, υπερθέρμανση, πιθανά εγκαυματα και ακόμη και καταστροφή της μπαταρίας.
6. Μην αποθηκεύετε το εργαλείο και την κασέτα μπαταρίας σε μέρη όπου η θερμοκρασία μπορεί να φτάσει ή να ξεπεράσει τους 50°C (122°F).
7. Μην αποπερφώνετε την κασέτα μπαταρίας ακόμη κι αν παρουσιάζει σοβαρή ζημιά ή είναι εντελώς φθαρμένη. Η κασέτα μπαταρίας μπορεί να εκραγεί σε φωτιά.
8. Να προσέχετε να μη σας πέσει η μπαταρία και να μη συγκρουστεί με κάποιο αντικείμενο.
9. Μην χρησιμοποιείτε μια μπαταρία που έχει υποστεί βλάβη.

ΦΥΛΑΞΤΕ ΑΥΤΕΣ ΤΙΣ ΟΔΗΓΙΕΣ.

Συμβουλές για τη διατήρηση της μέγιστης ζωής της μπαταρίας

1. Να φορτίζετε την κασέτα μπαταρίας πριν αποφορτιστεί εντελώς.

Πάντοτε να διακόπτετε τη λειτουργία του εργαλείου και να φορτίζετε την μπαταρία όταν παρατηρείται μειωμένη ισχύ του εργαλείου.
2. Ποτέ μην επαναφορτίσετε μια πλήρως φορτισμένη κασέτα μπαταρίας.

Αν υπερφορτίσετε την μπαταρία, μειώνεται η ωφέλιμη διάρκεια ζωής της.
3. Να φορτίζετε την μπαταρία σε θερμοκρασία δωματίου, δηλαδή στους 10°C έως 40°C (50°F έως 104°F). Αν η κασέτα μπαταρίας είναι θερμή, αφήστε την να ψυχθεί πριν τη φορτίσετε.

Περιγραφή του καρφωτικού εργαλείου (Εικ. 2)

ΠΕΡΙΓΡΑΦΗ ΛΕΙΤΟΥΡΓΙΑΣ

⚠ ΠΡΟΣΟΧΗ:

- Να βεβαιώνετε πάντοτε ότι έχετε αφαιρέσει το στοιχείο καυσίμου, την κασέτα μπαταρίας και τα καρφιά πριν ρυθμίσετε ή ελέγξετε κάποια λειτουργία του εργαλείου.

Τοποθέτηση ή αφαίρεση της μπαταρίας

⚠ ΠΡΟΣΟΧΗ:

- Πάντοτε να απενεργοποιείτε το εργαλείο πριν από την τοποθέτηση ή την αφαίρεση της κασέτας μπαταρίας.
- **Κρατήστε το εργαλείο και την κασέτα μπαταρίας γερά κατά την τοποθέτηση ή την αφαίρεση της κασέτας μπαταρίας.** Εάν δεν κρατήσετε το εργαλείο και την κασέτα μπαταρία καλά μπορεί να γλιστρήσουν από τα χέρια σας και να προκληθεί ζημιά στο εργαλείο και στην κασέτα μπαταρίας αλλά και προσωπικός τραυματισμός. (Εικ. 3)

Για να τοποθετήσετε τη κασέτα μπαταρίας, κρατήστε τη έτσι ώστε το μπροστινό σχήμα της μπαταρίας να ταιριάζει στο άνοιγμα στο οποίο τοποθετείται η μπαταρία και ολισθήστε την στη θέση της. Τοποθετήστε τη έως το τέρμα, δηλαδή έως όπου ασφαλίσει στη θέση και ακουστεί ένας χαρακτηριστικός ήχος "κλικ". (Εικ. 4)

Για να βγάλετε την κασέτα μπαταρίας, τραβήξτε την από το εργαλείο καθώς πιέζετε και στις δυο πλευρές της κασέτας.

⚠ ΠΡΟΣΟΧΗ:

- Να εισάγετε πάντοτε την μπαταρία πλήρως, μέχρι να ασφαλίσει στη θέση της. Σε αντίθετη περίπτωση, μπορεί να πέσει κατά λάθος από το εργαλείο και να τραυματίσει εσάς ή κάποιον παρευρισκόμενο.
- Μην εισάγετε με τη βία την κασέτα μπαταρίας. Αν η κασέτα δεν ολισθαίνει με ευκολία, δεν την εισήγατε σωστά.

Άναμμα της λυχνίας

⚠ ΠΡΟΣΟΧΗ:

- Μην κοπάτε κατευθείαν μέσα στο φως ή στην πηγή του φωτός. (Εικ. 5)
- Για να ενεργοποιήσετε τη λυχνία, πατήστε το κουμπί της λυχνίας. Για να απενεργοποιήσετε τη λυχνία, πατήστε το κουμπί της λυχνίας ξανά.

Στοιχείο καυσίμου

Σύνδεση της δοσιμετρικής βαλβίδας στο στοιχείο καυσίμου (Εικ. 6)

Αποσυνδέστε το καπάκι (στην περίπτωση που η δοσιμετρική βαλβίδα παρέχεται με καπάκι). (Εικ. 7) Σπρώξτε προς τα μέσα το μπροστινό άκρο. (Εικ. 8) Σπρώξτε προς τα μέσα το πίσω άκρο έως ότου να καθίσει.

Εισαγωγή του καλύμματος καυσίμου (Εικ. 9)

Σπρώξτε προς τα επάνω και τραβήξτε το κάλυμμα καυσίμου για να ανοίξει. (Εικ. 10)

Εισάγετε το κάλυμμα καυσίμου στρέφοντας το ακροφύσιο εκροής της δοσιμετρικής βαλβίδας προς τον προσαρμογέα. (Εικ. 11)

Εισάγετε κατάλληλα το ακροφύσιο εκροής μέσα στην μικρή τρύπα του προσαρμογέα. **(Εικ. 12)**
Τοποθετήστε το κάλυμμα του καυσίμου πάνω στην δοσιμετρική βαλβίδα και πιέστε το προς τα κάτω για να κλειδώσει.

Προσαρμογή του βάθους καρφώματος

⚠️ ΠΡΟΣΟΧΗ:

- Αφαιρέστε το στοιχείο καυσίμου, την κασέτα μπαταρίας και τα καρφιά πριν την προσαρμογή του βάθους καρφώματος. **(Εικ. 13)**

Για να αποκτήσετε μικρότερο βάθος, γυρίστε το ρυθμιστή προς τη δεξιά κατεύθυνση όπως δείχνεται στην εικόνα. Για να γίνει το βάθος μεγαλύτερο, γυρίστε το ρυθμιστή προς την αριστερή κατεύθυνση.

Μην περιστρέψετε τον ρυθμιστή υπερβολικά γιατί σε διαφορετική περίπτωση μπορεί να μπλοκάρει.

Ενδεικτική λυχνία

Το χρώμα της ενδεικτικής λυχνίας δηλώνει τα παρακάτω.

Πράσινο που αναβοσβήνει: Κανονική κατάσταση
Κόκκινο που αναβοσβήνει: Απαιτείται η επαναφόρτιση της κασέτας μπαταρίας

Ανάβει στο κόκκινο: Επαναφορτίστε τη μπαταρία. Δεν μπορεί να εκτελεστεί το κάρφωμα λόγω έλλειψης χωρητικότητας της μπαταρίας.

Αναβοσβήνει πορτοκαλί: Συνιστάται σχολαστικός καθαρισμός. Ανατρέξτε στην ενότητα “ΣΥΝΤΗΡΗΣΗ” για τον σχολαστικό καθαρισμό του εσωτερικού του εργαλείου.

Για να ακυρώσετε το πορτοκαλί αναβόσβημα της ενδεικτικής λυχνίας, πιέστε το στοιχείο επαφής για πέντε δευτερόλεπτα και στη συνέχεια πιέστε το στοιχείο επαφής πέντε φορές.

Αναβοσβήνει στο πορτοκαλί αφότου είχε αναβοσβήνει εναλλακτικά από το πράσινο στο κόκκινο: Εκτελείται ανίχνευση σφάλματος. Αφαιρέστε και επανατοποθετήστε την κασέτα μπαταρίας για την επαναφορά. Εάν εκτελεστεί ξανά η ανίχνευση του σφάλματος τότε πρόκειται για μια κατάσταση δυσλειτουργίας. Απευθυνθείτε στο τοπικό σας κέντρο σέρβις της Makita για την επισκευή.

Άγκιστρο

⚠️ ΠΡΟΣΟΧΗ:

Πάντοτε να αφαιρείτε τη μπαταρίας όταν κρεμάτε το εργαλείο. Μην κρεμάτε το εργαλείο από τη ζώνη σας. **(Εικ. 14)**

Ο άγκιστρο χρησιμεύει για το προσωρινό κρέμασμα του εργαλείου.

Ο άγκιστρο μπορεί να τοποθετηθεί σε δύο θέσεις ανάλογα με το πού θα κρεμαστεί το εργαλείο.

Για να αλλάξετε τη θέση του άγκιστρου, στρώστε προς τα μέσα τα άκρα του από τις δύο πλευρές και μετακινήστε τον σε μια άλλη θέση.

ΣΥΝΑΡΜΟΛΟΓΗΣΗ

⚠️ ΠΡΟΣΟΧΗ:

- Πάντοτε να βγάζετε το στοιχείο καυσίμου και την κασέτα μπαταρίας πριν από την εκτέλεση οποιασδήποτε εργασίας πάνω στο εργαλείο.

Φόρτωση του καρφωτικού εργαλείου

(Εικ. 15)

Εισάγετε μια λωρίδα από καρφιά μέσα στη σχισμή στο πίσω μέρος του γεμιστήρα. Τα καρφιά σταματούν στην είσοδο του γεμιστήρα λόγω του αναστολέα καρφιών. Ξεκλειδώστε το γεμιστήρα πατώντας το κουμπί του αναστολέα καρφιών για να εισάγετε τα καρφιά. **(Εικ. 16)**
Τραβήξτε το μοχλό του ωθητή με το πάτημα του κουμπιού του ωθητή προς όλη τη διαδρομή ως το πίσω μέρος του γεμιστήρα. Στη συνέχεια αφήστε το κουμπί του ωθητή και επιστρέψτε απαλά το μοχλό του ωθητή στο άκρο της λωρίδας.

Αφαίρεση καρφιών (Εικ. 17)

Τραβήξτε το μοχλό του ωθητή και στρώστε το κουμπί του ωθητή για να ελευθερωθεί το στήριγμα των καρφιών και στη συνέχεια επαναφέρετε το μοχλό του ωθητή στην κορυφή στρώχνοντας το κουμπί του ωθητή. Στρώστε τα καρφιά προς το πίσω μέρος του γεμιστήρα. Τα καρφιά σταματούν στην είσοδο του γεμιστήρα λόγω του αναστολέα καρφιών. Ξεκλειδώστε το γεμιστήρα πατώντας το κουμπί του αναστολέα καρφιών για να αφαιρέσετε τα καρφιά.

Αλλαγή του γεμιστήρα (προαιρετικό εξάρτημα) (Εικ. 18)

Υπάρχει διαθέσιμο ως προαιρετικό εξάρτημα ένας γεμιστήρας διαφορετικού μήκους.

Για να αλλάξετε τον γεμιστήρα, ξεσφίξτε το μπουλόνι και αφαιρέστε το γεμιστήρα. Στη συνέχεια τοποθετήστε τον καινούργιο γεμιστήρα. Και σφίξτε το μπουλόνι στο γεμιστήρα.

ΛΕΙΤΟΥΡΓΙΑ

⚠️ ΠΡΟΕΙΔΟΠΟΙΗΣΗ:

- **Μην αγγίζετε γύρω από το άνοιγμα της εξάτμισης.** Η επιφάνεια θα είναι πάρα πολύ ζεστή κατά τη διάρκεια ή μετά το τέλος της λειτουργίας. Το άγγιγμα γύρω από το άνοιγμα της εξάτμισης μπορεί να προκαλέσει εγκαύματα ή τραυματισμούς.

⚠️ ΠΡΟΣΟΧΗ:

- Βεβαιωθείτε ότι όλα τα συστήματα ασφάλειας βρίσκονται σε καλή κατάσταση πριν από τη λειτουργία. **(Εικ. 19)**

1. Για να καρφώσετε ένα καρφί, τοποθετήστε το στοιχείο επαφής επάνω στο τεμάχιο εργασίας.

Το μοτέρ του ανεμιστήρα ενεργοποιείται, το αέριο καύσιμο εκχύεται μέσα στο θάλαμο καύσης και αναμειγνύεται με τον αέρα μέσω του ανεμιστήρα. **(Εικ. 20)**

2. Πιέστε καλά κρατώντας το στοιχείο επαφής και τραβήξτε τη σκανδάλη.

Το αέριο καύσιμο αναφλέγεται και καρφώνεται το καρφί.

3. Επιπρόσθετα το κάρφωμα μπορεί να ξεκινήσει μόνο αφού ελευθερωθούν το στοιχείο επαφής και η σκανδάλη.

Κάρφωμα καρφιών σε τσιμέντο

⚠️ ΠΡΟΕΙΔΟΠΟΙΗΣΗ:

- Χρησιμοποιήστε μόνο ενισχυμένα καρφιά κατάλληλα για τσιμέντο.
Η χρήση καρφιών που προορίζονται για άλλους

- σκοπούς μπορεί να προκαλέσει σοβαρούς τραυματισμούς. Μην καρφώνετε απευθείας στο τσιμέντο. Εάν δεν το τηρήσετε αυτό μπορεί να εκτοξευτούν προς τα πίσω κομμάτια από τσιμέντο ή καρφιά προκαλώντας σοβαρούς τραυματισμούς.
- Όταν καρφώνετε καρφιά να κρατάτε το εργαλείο με τέτοιο τρόπο ώστε να είναι κάθετο στην επιφάνεια του καρφώματος. Το κάρφωμα καρφιών υπό κλίση μπορεί να προκαλέσει την εκτόξευση κομματιών από τσιμέντο ή το πέταγμα καρφιών προς τα πίσω προκαλώντας σοβαρούς τραυματισμούς.
 - Μην χρησιμοποιήσετε το εργαλείο πάνω σε μια επιφάνεια από όπου κρέμονται αντικείμενα όπως σε μια περιοχή όπου υπάρχουν αναρτήρες στους οποίους στηρίζονται αποχευτικές σωληνώσεις, σωληνώσεις σκόνης κτλ.

Επιλέξτε και χρησιμοποιήστε κατάλληλα καρφιά των οποίων το βάθος εισχώρησης μέσα στο τσιμέντο να κυμαίνεται μεταξύ 15 mm - 20 mm. **(Εικ. 21)**

ΠΡΟΣΟΧΗ:

- Χρησιμοποιήστε αυτό το εργαλείο μόνο σε μαλακό τσιμέντο το οποίο δεν φτιάχτηκε πολύ καιρό πριν. Η χρήση του σε σκληρό τσιμέντο μπορεί να προκαλέσει το στράβωμα του καρφιού ή το κάρφωμα του σε ανεπαρκές βάθος.
- Όταν το απαιτούμενο βάθος διεύθυνσης μέσα στο τσιμέντο είναι περισσότερο από 20 mm, ενδεχομένως να μην μπορεί να επιτευχθεί το κάρφωμα καρφιών μέχρι το επαρκές μήκος. Τα καρφιά μπορεί να καρφωθούν πολύ ρηχά προκαλώντας αστάθεια στο τεμάχιο εργασίας και οδηγώντας στον προσωπικό τραυματισμό και στη ζημία της περιουσίας.

Μηχανισμός προστασίας από τη συρραφή χωρίς καρφιά

Ο μηχανισμός αυτός αποτρέπει το εργαλείο από την εκपुरσοκρότηση χωρίς να υπάρχουν καρφιά. Ο μηχανισμός προστασίας από το κάρφωμα χωρίς καρφιά ενεργοποιείται αυτόματα όταν τα εναπομένοντα καρφιά μείνουν στα 2-3 κομμάτια.

Εμπλοκή του καρφωτικού εργαλείου

ΠΡΟΕΙΔΟΠΟΙΗΣΗ:

- Να φροντίζετε πάντοτε να αφαιρείτε το στοιχείο καυσίμου και την κασέτα μπαταρία πριν από την αποκατάσταση της εμπλοκής.

ΠΡΟΣΟΧΗ:

- Μη χρησιμοποιείτε παραμορφωμένα καρφιά ή παραμορφωμένη λωρίδα καρφιών. Αν κάνετε κάτι τέτοιο θα προκληθεί ανεπαρκής τροφοδοσία καρφιών. Ακολουθήστε τη διαδικασία αφαίρεσης καρφιών και αφαιρέστε τα μπλοκαρισμένα καρφιά. **(Εικ. 22)** Αφαιρέστε το στοιχείο καυσίμου, την μπαταρία και τα καρφιά. Ξεσφίξτε το μπουλόνι στο γεμιστήρα. Βγάλτε το γεμιστήρα και αφαιρέστε τα μπλοκαρισμένα καρφιά. **(Εικ. 23)** Αν δεν μπορούν να αφαιρεθούν τα καρφιά μετά την εκτέλεση της παραπάνω μεθόδου, κάνετε τα παρακάτω. Εισάγετε μια μικρή ράβδο ή κάτι παρόμοιο στη θύρα εκτίναξης και χτυπήστε την ελαφρά με ένα σφυρί για να

βγάλετε έξω τα μπλοκαρισμένα καρφιά από τη θύρα εκτίναξης. **(Εικ. 24 & 25)**

Αν τα καρφιά παραμένουν ακόμη μέσα στη θύρα εκτόξευσης, εκτελέστε τα παρακάτω.

Ξεσφίξτε τα μπουλόνια στη θύρα εκτόξευσης χρησιμοποιώντας ένα εξάγωνο κλειδί. Αφαιρέστε τον κάτω κινητήριο οδηγό. Κατόπιν, βγάλτε τα μπλοκαρισμένα καρφιά.

Επαναποθετήστε τον κάτω κινητήριο οδηγό και σφίξτε τα μπουλόνια αφότου έχετε αφαιρέσει τα μπλοκαρισμένα καρφιά.

Επαναποθετήστε το γεμιστήρα και σφίξτε το μπουλόνι.

ΣΥΝΤΗΡΗΣΗ

ΠΡΟΣΟΧΗ:

- Πάντοτε να αφαιρείτε το στοιχείο καυσίμου, τη μπαταρία και τα καρφιά πριν προσπαθήσετε να εκτελέσετε έλεγχο ή συντήρηση στο εργαλείο.
- Μην χρησιμοποιήσετε βενζίνη, βενζόλη, διαλυτικό, αλκοόλη ή κάτι παρόμοιο. Μπορεί να προκληθεί αποχρωματισμός, παραμόρφωση ή ρωγμές.

Συντήρηση μετά από την ημερήσια εργασία

Στο τέλος της ημερήσιας εργασίας εκτελέστε το πρόγραμμα της ημερήσιας συντήρησης. Αυτά τα απλά βήματα βασίζονται στη διατήρηση της ασφάλειας και των επιδόσεων του εργαλείου.

Πριν αποχωρήσετε από το χώρο εργασίας:

- Αφαιρέστε την κασέτα μπαταρίας και αποθηκεύστε την στη θήκη μεταφοράς του εργαλείου. Πάντα να χρησιμοποιείτε την θήκη μεταφοράς του εργαλείου για τη μεταφορά και την αποθήκευση του εργαλείου.
- Πετάξτε όλα τα κενά στοιχεία σε χώρο όπου δεν μπορούν να βρεθούν από τα παιδιά, να συνθλιβούν, να τρυπηθούν ή να καούν.

Όταν επιστρέψετε στο σπίτι:

- Τοποθετήστε την κασέτα μπαταρίας μέσα στο φορτιστή της εάν χρειάζεται φόρτιση όπως υποδεικνύεται από την κόκκινη ενδεικτική λυχνία.
- Σκουπίστε το εργαλείο με ένα καθαρό, μαλακό πανί.
- Ελέγξτε το φίλτρο και καθαρίστε το εάν είναι σκονισμένο.

Καθαρισμός του φίλτρου αέρα (Εικ. 26 & 27)

Πιέστε ελαφρά προς τα πάνω το κάλυμμα του φίλτρου και αφαιρέστε το. Και μετά απλά βγάλτε αναστηκτώντας το φίλτρο.

Κτυπήστε ελαφρά το φίλτρο για να αφαιρέσετε την οποιαδήποτε σκόνη. Το πλύσιμο με σαπούνι και νερό επαναφέρει το φίλτρο σε μια σχεδόν καινούργια κατάσταση.

Για να διατηρείται η ΑΣΦΑΛΕΙΑ και η ΑΞΙΟΠΙΣΤΙΑ του προϊόντος, οι εργασίες επισκευής, καθώς και οποιαδήποτε άλλη εργασία συντήρησης ή ρύθμισης, θα πρέπει να εκτελούνται σε εξουσιοδοτημένα κέντρα εξυπηρέτησης της Makita, και πάντοτε με τη χρήση ανταλλακτικών της Makita.

Λεπτομερής καθαρισμός

Εάν συμβαίνουν συχνά εκπυρσοκροτήσεις χωρίς την έξοδο καρφίνων αυτό σημαίνει ότι είναι απαραίτητος ο σχολαστικός καθαρισμός του εργαλείου. Δείτε το συνοδευτικό οδηγό καθαρισμού για λεπτομέρειες και εκτελέστε τον καθαρισμό.

Αν έχετε οποιαδήποτε απορία σχετικά με τον καθαρισμό, παρακαλούμε απευθυνθείτε στο τοπικό κέντρο εξυπηρέτησης της Makita.

ΠΡΟΑΙΡΕΤΙΚΑ ΑΞΕΣΟΥΑΡ

⚠ ΠΡΟΣΟΧΗ:

- Συνιστάται η χρήση αυτών των αξεσουάρ ή εξαρτημάτων με το εργαλείο της Makita, όπως περιγράφεται στο παρόν εγχειρίδιο. Αν χρησιμοποιήσετε άλλα αξεσουάρ ή εξαρτήματα μπορεί να παρουσιαστεί κίνδυνος για πρόκληση τραυματισμού προσώπων. Να χρησιμοποιείτε τα αξεσουάρ και τα εξαρτήματα μόνο για το σκοπό για τον οποίο προορίζονται.

Αν χρειάζεστε κάποια βοήθεια ή περισσότερες πληροφορίες σχετικά με τα αξεσουάρ αυτά, απευθυνθείτε στο πλησιέστερο κέντρο εξυπηρέτησης της Makita.

- Καρφιά
- Γεμιστήρας
- Γυαλιά προστασίας
- Στοιχείο καυσίμου
- Εξοπλισμός καθαρισμού
- Αυθεντική μπαταρία και φορτιστής της Makita

ΣΗΜΕΙΩΣΗ:

- Ορισμένα από τα στοιχεία της λίστα μπορεί να περιέχονται στην συσκευασία του εργαλείου ως κανονικά αξεσουάρ. Αυτά ενδέχεται να διαφέρουν από χώρα σε χώρα.

Θόρυβος

ENG905-1

Το σύνθησε σταθμισμένο επίπεδο θορύβου που έχει καθοριστεί σύμφωνα με την EN792:

Επίπεδο ηχητικής πίεσης (L_{pA}): 89 dB (A)
Επίπεδο ηχητικής ισχύος (L_{WA}): 102 dB (A)
Αβεβαιότητα (K): 3 dB (A)

Να φοράτε ωτοασπίδες

Δόνηση

ENG904-2

Η συνολική τιμή δόνησης έχει καθοριστεί σύμφωνα με το EN792:

Εκπομπή δόνησης (a_h): 3,5 m/s²
Αβεβαιότητα (K): 1,5 m/s²

ENG901-1

- Η δηλωθείσα τιμή των παραγομένων κραδασμών έχει καταμετρηθεί σύμφωνα με την τυποποιημένη μέθοδο δοκιμασίας και μπορεί να χρησιμοποιηθεί για την σύγκριση ενός εργαλείου με ένα άλλο.
- Η δηλωθείσα τιμή των παραγομένων κραδασμών μπορεί επίσης να χρησιμοποιηθεί για μια προκαταρκτική αξιολόγηση της έκθεσης στους κραδασμούς.

⚠ ΠΡΟΕΙΔΟΠΟΙΗΣΗ:

- Η εκπομπή κραδασμών κατά τη διάρκεια της πραγματικής χρήσης του ηλεκτρικού εργαλείου μπορεί να διαφέρει από τη δηλωθείσα τιμή των εκπομπών, ανάλογα με τον τρόπο με τον οποίο χρησιμοποιείται το εργαλείο.

- Φροντίστε να λάβετε τα μέτρα ασφαλείας που απαιτούνται για την προστασία του χρήστη που βασίζονται σε μια εκτίμηση της έκθεσης σε πραγματικές συνθήκες χρήσης (λαμβάνοντας υπόψη όλα τα μέρη του κύκλου λειτουργίας, όπως είναι οι περιπτώσεις κατά τις οποίες το εργαλείο είναι απενεργοποιημένο και όταν λειτουργεί στο ρελαντί επιπρόσθετως του χρόνου κατά τον οποίο το εργαλείο βρίσκεται σε χρήση).

Για Ευρωπαϊκές χώρες μόνο

ENH003-14

ΕΚ – Δήλωση συμμόρφωσης

Η Εταιρία Makita ως υπεύθυνος κατασκευαστής, δηλώνει ότι το παρακάτω μηχάνημα(-τα) της Makita:

Όνομασία μηχανήματος:

Καρφωτικό τσιμέντου μπαταρίας

Αρ. Μοντέλου/ Τύπος: GN420C

αποτελεί παραγωγή σε σειρά και

Συμμορφώνεται με την ακόλουθη Ευρωπαϊκή Οδηγία:
2006/42/ΕΚ

Και κατασκευάζεται σύμφωνα με τα παρακάτω πρότυπα ή τυποποιημένα έγγραφα:

EN792, EN60745

Τα τεχνικά έγγραφα διατηρούνται από την:

Makita International Europe Ltd.

Technical Department,

Michigan Drive, Tongwell,

Milton Keynes, Bucks MK15 8JD, England

29. 03. 2012

Tomoyasu Kato

Διευθυντής

Makita Corporation

3-11-8, Sumiyoshi-cho,

Anjo, Aichi, 446-8502, JAPAN

TÜRKÇE (Orijinal Talimatlar)

Genel görünüm

1. Koruyucu gözlük
2. Yüz koruyucu maske
3. Açma/kapama düğmesi
4. Çalıştırma düğmesi
5. Hazne
6. İtirci mandalı
7. İtirci düğmesi
8. Temas elemanı
9. Hava çıkış kanalı
10. Lamba
11. Gösterge lambası
12. Akü
13. Düğme
14. Lamba düğmesi
15. Ölçüm vanası
16. Kapak
17. Püskürtme nozülü
18. Ayar Düğmesi
19. Kanca
20. Çivi stoperi
21. Cıvata
22. İnce çelik levha
23. Beton içerisine dalma miktarı
24. Sürücü altı kılavuzu
25. Filtre kapağı
26. Filtre

TEKNİK ÖZELLİKLER

Model	GN420C	
Çivi kapasitesi	20 çivi (2 şerit)	40 çivi (4 şerit)
Boyutlar (U x G x Y)	315 mm X 108 mm X 390 mm	430 mm X 108 mm X 390 mm
Net ağırlık	3,6 kg	3,8 kg
Çivi uzunluğu X Gövde çapı	Çivi U değeri: 15 mm - 40 mm, çap: 2,6 mm - 3,1 mm	
Anma gerilimi	D.C. 7,2 V	



- Sürekli yapılan araştırma ve geliştirmelerden dolayı, burada belirtilen özellikler önceden bildirilmeksizin değiştirilebilir.
- Özellikler ve akü ülkeye göre farklılıklar gösterebilir.
- EPTA Prosedürü 01/2003 uyarınca ağırlık (akü dahil)


Simgeler


END107-7


Makine için kullanılan simgeler aşağıda gösterilmiştir.


Makineyi kullanmaya başlamadan önce bu simgelerin ne anlama geldiğini öğrenin.



  ... Kullanım kılavuzunu okuyun.


 Basıncılı kap; 50°C'nin üzerindeki sıcaklıklara (örneğin; güneş ışınlarına) maruz bırakmayın. Kabı iyi havalandırılan bir yerde muhafaza edin.


 Yalnızca açık yerlerde veya iyi havalandırılan odalarda kullanın. Gazı solumayın.

 Sıcak yüzeylerin yakınında ateş veya sprey kullanmayın. Aksi takdirde, tutuşabilir/patlayıcı buhar hava karışımı açığa çıkabilir.

 Kullandıktan sonra dahi zarar vermeyin, delmeyin veya ateşe atmayın.

  Koruyucu gözlük kullanın.

 Kazara çalışmasını önlemek için, makineyi kullanırken parmaklarınızı açma/kapama düğmesinden uzak tutun.

 Baş ağrısı ve bilinç kaybını önlemek için yalnızca iyi havalandırılan bir alanda kullanın. Bu makineyi kesinlikle tutuşabilir ortamlarda kullanmayın. Makine egzozu, tutuşabilir maddeleri tutuşturabilir.



..... Kalıp veya merdiven üzerindeyken kullanmayın.



..... Uyarı: sıcak yüzey!
Bu simgenin etrafına dokunmayın. Bu yüzeye dokunulması, yanıklara veya yaralanmalara yol açabilir.



..... Sadece AB ülkeleri için
Elektrik cihazları ve pilleri ev çöpüyle birlikte atmayın!
Elektrikli ve Elektronik Cihaz Atıkları, Piller ve Aküler ve PİL ve Akü Atıkları Hakkındaki Avrupa Yönergeleri ve bunların ulusal kanunlara göre uygulanışı uyarınca kullanım ömrünü tamamlayan elektrikli cihazlar ve piller mutlaka ayrı olarak toplanmalı ve çevre şartlarına uygun bir geri dönüşüm tesisine gönderilmelidir.


Kullanım amacı

ENE072-1

Bu makine ince bir çelik levhanın betona sabitlenmesi için kullanılmak üzere tasarlanmıştır.

Genel Elektrikli Aletler Güvenlik Uyarıları

GEA010-1

 **UYARI** Tüm güvenlik uyarılarını ve tüm talimatları okuyun. Verilen uyarılara ve talimatlara uyulmaması elektrik çarpmasına, yangına ve/veya ciddi yaralanmalara yol açabilir.

Tüm uyarıları ve talimatları ilerde başvurmak üzere saklayın.

Akülü çivi çakma/zımbalama makinesiyle ilgili güvenlik uyarıları

ENB111-4

⚠ UYARI Tüm güvenlik uyarılarını ve tüm talimatları dikkatlice okuyun. Verilen uyarılara ve talimatlara uyulmaması ciddi yaralanmalara, elektrik çarpmasına ve/veya yangına yol açabilir.

Tüm uyarıları ve talimatları ilerde başvurmak üzere saklayın.

Güvenliğiniz ve makinenin doğru çalıştırılması ve bakımı için makineyi kullanmaya başlamadan önce bu kullanım kılavuzunu dikkatlice okuyun.

Genel güvenlik

- Makinenin gerekli eğitimleri almamış kişilerce kullanılmasına izin vermeyin.
- Eşek şakasından uzak durun. Makinenin her zaman çalışır durumda olduğunu kabul edin.
- Makineyi alkol, uyuşturucu ve benzeri maddelerin tesiri altında kullanmayın.
- Makine üzerinde kesinlikle değişiklik yapmayın.

Kişisel koruyucu ekipmanlar

- Gözlerinizi tozdan ve bağlantı elemanı yaralanmalarından korumak için daima koruyucu gözlük takın.

⚠ UYARI: Makine operatörlerinin ve çalışma alanının yakınında çalışan diğer kişilerin uygun göz koruyucu ekipmanlar kullanmasını sağlamak, işverenin yükümlülüğündedir.

Yalnızca Avustralya ve Yeni Zelanda için

- Gözlerinizi tozdan ve bağlantı elemanı yaralanmalarından korumak için daima koruyucu gözlük ve yüz koruyucu maske takın. Kullanılan koruyucu gözlükler ve yüz koruyucu maskeler mutlaka AS/NZS 1336 şartlarına uygun olmalıdır. **(Şekil 1)**
- Kulaklarınızı çıkan gürültüye karşı korumak için koruyucu kulaklık ve baret kullanın. Hafif, ancak bol olmayan kıyafetler tercih edin. Giyeceğiniz kıyafetlerin kolları düğmeli olmalı veya yukarı kıvrılmalıdır. Kravat takılmamalıdır.

Çalışma alanı güvenliği

- Makineyi kesinlikle kapalı veya iyi havalandırılmayan yerlerde kullanmayın. Aksi takdirde, karbon monoksit nedeniyle baş dönmesi, mide bulantısı veya bilinç kaybı ortaya çıkabilir.
- Çalışma alanını temiz tutun ve yeterli şekilde aydınlatın. Karışık veya karanlık çalışma alanları kazalara davetiye çıkarır.
- Makineyi tutuşabilir sıvıların, gazların ve tozların bulunduğu patlayıcı ortamlarda kullanmayın. Makine çalışırken, tozları ve gazları tutuşturabilecek kıvılcımlar çıkarır.
- Makineyi kullanırken çocukları ve diğer kişileri çalışma alanından uzak tutun. Dikkatinizin başka tarafa çekilmesi kontrolü kaybetmenize neden olabilir.
- Çalışma alanını yeterli şekilde aydınlatın.

- Gürültü seviyelerinin belirli sınırlar dahilinde tutulmasını gerektiren yerel yönetmelikler mevcut olabilir. Belirli durumlarda gürültünün absorbe edilmesi için gürültü önleyici muhafazalar kullanılmalıdır.

Güvenlik cihazları

- Çalışmaya başlamadan önce tüm güvenlik sistemlerinin doğru çalıştığından emin olun. Makine kesinlikle yalnızca açma/kapama düğmesine basılarak veya yalnızca temas kolu ahşap malzemeye dayanılarak çalıştırılmamalıdır. Makineyi çalıştırmak için bu iki işlem aynı anda uygulanmalıdır. Makinenin doğru şekilde çalışıp çalışmadığını bağlantı elemanları tamamen boşaltılmış ve itici tam çekilmiş konumdayken test edin.
- Temas elemanı ile oynamayın: bu parça istenmeyen deşarjları engeller, bu nedenle mutlaka açık tutulmalı ve kıvıltılmamalıdır. Açma/kapama düğmesinin AÇIK konuma sabitlenmesi de oldukça tehlikelidir. Açma/kapama düğmesini açık konumda kilitlemeye çalışmayın. Makine çalıştırma kontrollerinin herhangi bir bölümünün çalışmaz durumda olması, bağlantısının kopmuş olması veya doğru şekilde çalışmaması durumunda makineyi çalıştırmayın.
- Bant veya tel kullanarak temas elemanını basılı durumda kilitlemeye çalışmayın. Aksi takdirde, ciddi yaralanmalar ve hatta ölümlü vakalar meydana gelebilir.
- Temas elemanını daima bu kılavuzda açıklandığı şekilde kontrol edin; güvenlik mekanizması doğru şekilde çalışmazsa bağlantı elemanları kazara fırlatılabilir.

Bağlantı elemanlarının yüklenmesi

- Çalışma kontrollerinden herhangi biri etkin durumda olduğunda makineyi doldurmayın.
- Sadece bu kılavuzda belirtilen bağlantı elemanlarını kullanın. Başka bağlantı elemanlarının kullanılması makinenin arızalanmasına neden olabilir.

Güç kaynağı

- Makineyi yalnızca orijinal Makita yakıt piliyle çalıştırın.
- Yakıt pilinden püskürtülen sıvı gazı dokunmayın. Aksi takdirde, yaralanabilirsiniz.
- Yangın ve patlama riski vardır. Yakıt pilini çıkartırken, taşıırken, makineye takarken ve makineden çıkartırken ve bertaraf ederken şu hususlara dikkat edin:
 - güneş ışınlarına veya 50°C'yi (122°F) geçen sıcaklıklara maruz bırakmayın,
 - sigara içmeyin ve
 - kıvılcıklara ve açık alevle izin vermeyin.
- Şu durumlarda daima aküyü ve tüm bağlantı elemanlarını çıkartın:
 - makinenin başından ayrıldığınızda,
 - herhangi bir bakım veya onarım işlemi gerçekleştirilmeden önce,
 - bir tıkanıklığı gidermeye başlamadan önce ve
 - makineyi yeni bir konuma taşımadan önce.

Çalışma güvenliği

- Çalıştırmadan önce makinenin genel durumunu ve gevşemiş vida olup olmadığını kontrol edin. Gerekirse, gevşeyen vidaları sıkın.
- Kötü kullanım (düşürme veya çarpma) nedeniyle çatlak oluşması durumunda makine içerisindeki çok yüksek değerdeki basınç, tehlikeli olabileceğinden makineyi

- dikkatli bir şekilde tutun ve taşıyın. Makine üzerinde çentik veya oyuk oluşmasına izin vermeyin.
- Makinede yanlış veya normal olmayan bir durum tespit ettiğinizde çalışmayı derhal durdurun. Doğru şekilde çalışmayan makineler kesinlikle kullanılmamalıdır.
- Makinenin ucunu civardaki insanlara çevirmeyin. Ellerinizi ve ayaklarınızı makinenin vidalama ucundan uzak tutun.
- Makinenin her zaman dolu olduğunu varsayın.
- Dolu olmasa da makineyi kendinize veya başkasına doğru tutmayın.
- Çalışırken acele etmeyin ve makineyi zorlamayın. Makineyi dikkatli bir şekilde tutun.
- Makineyi işparçasına sağlam şekilde dayamadan makineyi çalıştırmayın.
- Makineyi kesinlikle parmağınız açma/kapama düğmesi üzerindeyken tutmayın ve taşımayın ve başkalarına bu şekilde vermeyin. Kazara bağlantı elemanı fırlatılması, ciddi yaralanmalara yol açabilir.
- "İskelelerde, merdivenlerde kullanmayın" simgesini taşıyan hazneli makineleri kesinlikle aşağıda örnekleri verilen özel uygulamalarda kullanmayın:
 - bir tahrik konumundan diğerine değişimin, iskeleler, basamaklar, merdivenler veya çatı tahtaları gibi merdiven benzeri yapıların kullanılmasını içermesi,
 - kutuların veya sandıkların kapatılması ve araçlardaki ve vagonlardaki taşıma emniyet sistemlerinin sabitlenmesi.
- Vidalaların akımlı tellere, kablo taşıma kanallarına veya gaz borularına rastlaması nedeniyle meydana gelebilecek elektrik çarpması, gaz kaçağı, patlamalar vb. gibi tehlikeleri önlemek için uygulama yapılacak duvar, tavan, zemin, çatı vb. gibi yüzeyleri dikkatlice kontrol edin.
- Bu makineyi elektrik kablolarını sabitlemek için kullanmayın. Bu makine, elektrik kablolarının sabitlenmesi için tasarlanmamıştır ve elektrik kablolarının yalıtımına zarar vererek, elektrik çarpmasına veya yangına neden olabilir.
- Çalışırken yere sağlam basın ve dengeni koruyun. Ani sıçrama veya takılma nedeniyle oluşabilecek tehlikeleri önlemek için, yüksek yerlerde çalışırken çalışılan seviyenin altında kimsenin olmadığından emin olun.
- Çatıda ve benzeri yüksek yerlerde çalışırken bağlantı elemanı çakma işlemini ilerlediğiniz yönde gerçekleştirin. Bağlantı elemanı çakma işlemini geriye doğru yavaşça hareket ederek uygulamanız durumunda dengeni kolayca kaybedebilirsiniz. Düşey yüzeylere bağlantı elemanı çakarırken, üst taraftan başlayarak alt tarafa doğru ilerleyin. Bu şekilde çakma işlemini daha az yorularak gerçekleştirebilirsiniz.
- Yanlışlıkla mevcut bir bağlantı elemanı veya ahsap içerisindeki bir bağlantı noktası üzerine bağlantı elemanı çakarsanız, bağlantı elemanı eğilebilir veya makine tıkanabilir. Bağlantı elemanı fırlayabilir ve birisine isabet edebilir veya makinenin kendisi tehlikeli bir şekilde geri tepebilir. Bağlantı elemanlarını dikkatli bir şekilde yerleştirin.
- Yüzeyi aynı anda hem iç hem dış tarafına bağlantı elemanı çakmaya çalışmayın. Bağlantı elemanları karşı tarafa geçerek veya sıçrayarak ciddi yaralanmalara neden olabilir.

Servis

- Temizleme ve bakım işlemlerini makine ile çalışmanızı bittikten hemen sonra gerçekleştirin. Makineyi daima iyi durumda tutun. Paslanmayı önlemek ve sürtünmeye bağlı aşınmayı minimum seviyeye düşürmek için hareketli parçaları yağlayın. Parçalardaki tüm tozu temizleyin.
- Makinenin düzenli kontrolü için Makita yetkili servis merkezlerine danışın.
- Ürünün EMNİYETLİ ve GÜVENİLİR durumda kalmasının sağlanması için tüm bakım ve onarımlar, Makita Yetkili Servis Merkezleri tarafından Makita yedek parçaları kullanılarak yapılmalıdır.

BU TALİMATLARI SAKLAYIN.



UYARI:

Ürünü kullanırken defalarca kullanmanızı getirdiği rahatsız ve tanıdıklık duygusunun, güvenlik kurallarına sıkı sıkıya bağlı kalmanızı önlemesine İZİN VERMEYİN. YANLIŞ KULLANIM veya bu kullanım kılavuzunda belirtilen güvenlik kurallarına uyulmaması ciddi yaralanmalara neden olabilir.

ÖNEMLİ GÜVENLİK TALİMATLARI

ENC009-1

AKÜ HAKKINDA

- Aküyü kullanmaya başlamadan önce (1) akü şarj cihazı, (2) akü ve (3) akünün takıldığı ürüne ilişkin tüm talimatları ve uyarıları okuyun.**
- Aküyü sökmeye çalışmayın.**
- Çalışma süresinde önemli bir kısımla gözlerseniz, hemen çalışmayı bırakın. Bu durum aşırı ısınmaya, yangına ve hatta patlamaya yol açabilir.**
- Elektrolit (akü sıvısı) gözlerinize temas ederse, bol temiz suyla yıkayın ve derhal bir doktora başvurun. Elektrolit körlüğe neden olabilir.**
- Akünün kısa devre yapmasına izin vermeyin:**
 - Herhangi bir iletken nesne ile akü uçlarına dokunmayın.**
 - Aküyü çivi, madeni para vb. metal nesnelere bulunduğu bir yerde saklamayın.**
 - Aküyü suya veya yağmura maruz bırakmayın. Aküde oluşacak bir kısa devre büyük bir elektrik akımına, aşırı ısınmaya, yangına ve hatta makinenin bozulmasına yol açabilir.**
- Makineyi ve aküyü 50°C (122°F) sıcaklığa ulaşabilecek veya bu değeri aşabilecek ortamlarda saklamayın.**
- Önemli ölçüde hasar görmüş veya tümüyle tükenmiş olsa da aküyü kesinlikle yakarak imha etmeye çalışmayın. Akü ateşe atıldığında patlayabilir.**
- Akünün düşmemesine ve darbe almamasına dikkat edin.**
- Hasarlı bir aküyü kesinlikle kullanmayın.**

BU TALİMATLARI SAKLAYIN.

Akünün öngörülen maksimum ömrü dolana kadar kullanılabilmesi için öneriler

1. Aküyü tamamen boşalmasını beklemeden şarj edin.
Makinenin çalışma gücünde bir azalma gördüğünüzde, mutlaka çalışmayı bırakıp, aküyü şarj edin.
2. Tam olarak şarj edilmiş bir aküyü kesinlikle tekrar şarj etmeyin.
Akünün normalden fazla şarj edilmesi ömrünü kısaltır.
3. Aküyü 10°C - 40°C (50°F - 104°F) oda sıcaklığında şarj edin. Akü ısınmışsa, şarj etmeden önce soğumasını bekleyin.

Çivi çakma tabancasının genel görünümü (Şekil 2)

KULLANIMA İLİŞKİN TANIMLAR

⚠️ DİKKAT:

- Makineyi ayarlamadan veya çalışmasını kontrol etmeden önce mutlaka yakıt pilini, aküsünü ve çivileri çıkarttığınızdan emin olun.

Akünün takılması ve çıkartılması

⚠️ DİKKAT:

- Aküyü takmadan ve çıkarmadan önce mutlaka makineyi kapalı konuma getirin.
- Aküyü takarken ve çıkartırken makineyi ve aküyü sıkıca tutun. Aksi takdirde, makine ve akü ellerinizden kayarak düşebilir ve neticesinde makine ve akü hasarları ve yaralanmalar meydana gelebilir. (Şekil 3)

Aküyü yerine takmak için aküyü, ön kısmı akü montaj aralığına denk gelecek şekilde tutun ve yerine kaydırarak yerleştirin. Akünün tam yerine oturduğunu klik sesinden anlayabilirsiniz. (Şekil 4)

Aküyü çıkarmak için akünün her iki tarafına bastırın ve aküyü çekerek makineden çıkartın.

⚠️ DİKKAT:

- Akü mutlaka tam olarak yerine oturacak şekilde takılmalıdır. Aksi takdirde, akü makineden kayıp düşebilir ve operatörün veya çevredeki kişilerin yaralanmasına neden olabilir.
- Aküyü zorlayarak takmaya çalışmayın. Akünün makineye rahatça takılmaması, yanlış takıldığını gösterir.

Lambanın açılması

⚠️ DİKKAT:

- Doğrudan lambaya veya ışık kaynağına bakmayın. (Şekil 5)
- Lambayı açmak için, lamba düğmesine basın. Lambayı kapatmak için, lamba düğmesine tekrar basın.

Yakıt pili

Ölçüm vanasının yakıt piline takılması (Şekil 6)

Kapağı çıkartın (ölçüm vanasıyla birlikte bir kapak verilmişse). (Şekil 7)

Ön kenarı bastırın. (Şekil 8)

Yerine oturan kadar arka kenarı bastırın.

Yakıt pilinin takılması (Şekil 9)

Açmak için yakıt kapağını yukarı itin ve ardından çekin. (Şekil 10)

Yakıt pilini, ölçüm vanasının püskürtme nozulü, adaptöre bakacak şekilde takın. (Şekil 11)
Püskürtme nozulünü adaptörün küçük deliğine doğru şekilde takın. (Şekil 12)

Yakıt kapağını ölçüm vanasının üzerine takın ve kilitlemek için üzerine bastırın.

Çivi çakma derinliğinin ayarlanması

⚠️ DİKKAT:

- Çivi çakma derinliğini ayarlamadan önce yakıt pilini, aküyü ve çivileri çıkartın. (Şekil 13)

Daha sığ bir derinlik elde etmek için, ayar düğmesini şekilde gösterildiği gibi sağ tarafa çevirin. Daha derin bir derinlik elde etmek için ise ayar düğmesini sol tarafa çevirin.

Ayar düğmesini çok fazla çevirmeyin, aksi takdirde ayar düğmesi sıkışabilir.

Gösterge lambası

Farklı renklerde farklı şekillerde yanan gösterge lambasının anlamları aşağıda açıklanmıştır.

Yeşil yanıp sönüyorsa: Normal durum

Kırmızı yanıp sönüyorsa: Akünün değiştirilmesi gerekir

Kırmızı yanıyor: Aküyü şarj edin. Akü kapasitesi kalmadığından çivi çakma işlemi gerçekleştirilemiyor.

Turuncu yanıp sönüyorsa: Detaylı bir temizlik yapılması önerilir. Makinenin içini doğru ve detaylı şekilde temizlemek için "BAKIM" bölümüne bakın. Turuncu yanıp sönen gösterge lambasını sıfırlamak için temas elemanını beş saniye basılı tutun ve ardından temas elemanına beş defa basın.

Sırasıyla yeşil ve kırmızı yanıp söndükten sonra

turuncu yanıp sönüyorsa: Arıza tespit işlemi devam ediyordur. Sıfırlamak üzere, aküyü çıkartın ve geri takın.

Arıza tespit işlemi tekrar yürütülürse, bir arıza vardır.

Onarması için size en Makita servis merkezine başvurun.

Kanca

⚠️ DİKKAT:

Makineyi asacaksanız, aküsünü mutlaka çıkartın. Makineyi belinize asmayın. (Şekil 14)

Makineyi kısa süreli elden bıraktığınızda, kancayla pratik bir şekilde asabilirsiniz.

Kanca, makinenin asılacağı yere bağlı olarak iki farklı konuma ayarlanabilir.

Kanca konumunu değiştirmek için, her iki tarafından ayaklarına bastırarak istediğiniz konuma kaydırın.

MONTAJ

⚠️ DİKKAT:

- Makine üzerinde herhangi bir işlem gerçekleştirilmeden önce daima yakıt pilini ve aküyü çıkartın.

Çivi çakma tabancasının doldurulması (Şekil 15)

Bir çivi şeridini haznenin arka tarafındaki yarıktan yerleştirin. Çiviler, çivi stoperi nedeniyle haznenin girişinde durur. Çivi doldurmak için, çivi stoperi düğmesine basarak hazne kilidini açın. (Şekil 16)

İttrici düğmesini haznenin arkasına doğru gittiği yere kadar bastırarak ittrici mandalını çekin. Ardından, ittrici düğmesini serbest bırakın ve ittrici düğmesini yavaş bir şekilde şeridin sonuna getirin.

Çivilerin çıkartılması (Şekil 17)

Çivi destek parçasını serbest bırakmak için ittrici mandalını çekin ve ittrici düğmesine basın ve ardından ittrici düğmesine basarak ittrici mandalını üst konuma geri getirin.

Çivileri haznenin arka tarafına doğru kaydırın. Çiviler, çivi stoperi nedeniyle haznenin girişinde durur. Çivileri çıkarmak için, çivi stoperi düğmesine basarak hazne kilidini açın.

Haznenin (opsiyonel aksesuar) değiştirilmesi (Şekil 18)

Opsiyonel aksesuar olarak, farklı uzunluklarda hazneler de mevcuttur.

Hazneyi değiştirmek için, civatayı gevşetin ve hazneyi çıkartın. Ardından, yeni hazneyi takın. Hazne üzerindeki civatayı sıkın.

ÇALIŞTIRMA

⚠ UYARI:

- Hava çıkış kanalının etrafına dokunmayın. Çalışma sırasında veya sonrasında yüzey çok sıcak olacaktır. Hava çıkış kanalının etrafına dokunulması, yanıklara veya yaralanmalara yol açabilir.

⚠ DİKKAT:

- Çalışmaya başlamadan önce tüm güvenlik sistemlerinin doğru çalıştığından emin olun. (Şekil 19)
1. Bir çivi çakmak için, temas elemanını işparçasına dayayın.

Fan motoru devreye girer ve yanma odasına yakıt gazı enjekte edilir ve burada fan tarafından oluşturulan havayla karışır. (Şekil 20)

2. Temas elemanını işparçasına sağlam şekilde bastırın ve açma/kapama düğmesine basın.

Yakıt gazı yanar ve çiviler çakılmaya başlar.

3. Bir sonraki çakma işlemine ancak hem temas elemanı, hem de açma/kapama düğmesi serbest bırakıldıktan sonra başlanılabilir.

Betona çivi çakılması

⚠ UYARI:

- Yalnızca beton için tasarlanan sertleştirilmiş çiviler kullanın.
- Diğer amaçlara yönelik çivilerin kullanılması, ciddi yaralanmalara yol açabilir. Doğrudan beton üzerine çivileme yapmayın. Aksi takdirde, beton parçaları sıçrayabilir veya çiviler geri sekebilir ve neticesinde ciddi yaralanmalar meydana gelebilir.
- Çivi çakılırken, makineyi uygulama yüzeyine dik gelecek şekilde tutun.

Uygulama yüzeyinin eğimli olması, beton parçalarının sıçramasına veya çivilerin geri sekmesine ve neticesinde ciddi yaralanmalara neden olabilir.

- Makineyi kanalizasyon borusu, toz borusu vb. için kancalar içeren alanlar gibi nesnelerin aslı olduğu yüzeylerde kullanmayın.

Beton içerisine dalma miktarının 15 mm ila 20 mm olması için uygun çiviler seçin ve kullanın. (Şekil 21)

⚠ DİKKAT:

- Bu makineyi yalnızca önceden imal edilen yumuşak betonda kullanın. Sert betonda kullanılması çivilerin eğilmesine veya çivilerin yeterli derinlikte çakılmamasına neden olabilir.
- Beton içerisine dalma miktarının 20 mm'nin üzerinde olması gerekiyorsa, çiviler doğru derinliğe kadar çakılmayabilir. Çiviler çok sıkı bir derinliğe kadar çakılabilir ve neticesinde işparçasının dengersiz durmasına ve yaralanmalara ve mal kayıplarına yol açabilir.

Boş ateşleme önleme mekanizması

Bu mekanizma, makinenin çivi olmadan ateşleme yapmasını engeller.

Son 2-3 parça çivi kaldığında, boş ateşleme koruması otomatik olarak devreye girer.

Çivi çakma tabancasının tıkanması

⚠ UYARI:

- Bir tıkanıklığı açmaya çalışmadan önce daima yakıt pilini ve aküyü çıkartın.

⚠ DİKKAT:

- Deforme olmuş çivileri veya çivi şeritlerini kullanmayın. Aksi takdirde, çivi beslemesi gerektiği şekilde gerçekleşmez.

Çivi çıkarma prosedürünü takip edin ve sıkışan çivileri çıkartın. (Şekil 22)

Yakıt pilini, aküyü ve çivileri çıkartın.

Hazne üzerindeki civatayı gevşetin. Hazneyi ve sıkışan çivileri çıkartın. (Şekil 23)

Yukarıdaki yöntem uygulanmasına rağmen çiviler çıkartılmıyorsa, aşağıdaki işlemleri deneyin.

Çıkış deliğine küçük bir çubuk veya benzeri bir alet yerleştirin ve ardından üzerine çekiçle vurarak sıkışan çivileri çıkış deliğinden dışarı çıkarmaya çalışın. (Şekil 24 ve 25)

Çıkış deliğinde hala çiviler bulunuyorsa, aşağıdaki işlemleri deneyin.

Bir Alyan anahtarını yardımıyla çıkış deliği üzerinde civataları gevşetin. Sürücü altı kılavuzunu çıkartın.

Ardından, sıkışan çivileri çıkartın.

Sıkışan çiviler çıkartıldıktan sonra sürücü altı kılavuzunu geri yerine takın ve civataları sıkın.

Hazneyi geri yerine takın ve civatayı sıkın.

BAKIM

⚠ DİKKAT:

- Herhangi bir kontrol veya bakım işlemi gerçekleştirilmeye başlamadan önce mutlaka yakıt pilini, aküyü ve çivileri çıkartın.
- Kesinlikle gazolin, benzin, tiner, alkol veya benzeri bir madde kullanmayın. Aksi takdirde renk bozulması, deformasyon veya çatlaklar meydana gelebilir.

Günlük çalışma sonrası bakım

Günlük çalışma sonunda bir çalışma günü sonu bakımı gerçekleştirin.

Bu basit adımlar makinenin güvenliğinin ve performansının korunması içindir.

Çalışma alanından ayrılmadan önce:

- Aküyü çıkartın ve bir alet taşıma çantasına kaldırın. Makineyi taşımak ve muhafaza etmek için daima bir alet taşıma çantası kullanın.
- Tüm boş pilleri çocuklar tarafından bulunmayacak, ezilmeyecek, delinmeyecek veya ateşe atılmayacak şekilde bertaraf edin.

Eve geldiğinizde:

- Kırmızı gösterge lambası tarafından şarj edilmesi gerektiği gösteriliyorsa, şarj cihazını kullanarak aküyü şarj edin.
- Makineyi temiz ve yumuşak bir bezle silin.
- Filtreyi kontrol edin ve tozluysa temizleyin.

Hava filtresinin temizlenmesi (Şekil 26 ve 27)

Filtre kapağını hafifçe yukarı doğru ittirerek çıkartın. Ardından, kaldırarak filtreyi çıkartın.

Tozlarını dökmesi için hafifçe vurarak filtreyi temizleyin. Su ve sabunla temizlenmesi, filtreyi neredeyse yeni konumuna getirir.

Ürünün EMNİYETLİ ve GÜVENİLİR durumda kalmasını sağlamak için tüm onarımlar, bakım ve ayarlar Makita yetkili servisleri veya fabrika servis merkezleri tarafından Makita yedek parçaları kullanılarak yapılmalıdır.

Kapsamlı temizlik

Sık sık boş ateşleme meydana gelmesi, makinenin kapsamlı şekilde temizlenmesi gerektiğini gösterir. Ayrıntılı bilgi için ürünle verilen temizleme kılavuzuna bakın ve temizlik çalışmasını belirttiği gibi gerçekleştirin. Temizleme çalışmasıyla ilgili herhangi bir sorunuz olduğunda, lütfen size en yakın Makita Servis Merkezine danışın.

OPSİYONEL AKSESUARLAR

⚠ DİKKAT:

- Bu kullanım kılavuzunda tanıtılan Makita marka makineyle aşağıdaki aksesuarların ve parçaların kullanılması önerilir. Bunların dışında başka aksesuarların veya parçaların kullanılması yaralanmalara yol açabilir. Aksesuarlar ve parçalar doğru şekilde ve öngörüldükleri işlevler için kullanılmalıdır.

Aksesuarlara ilişkin daha ayrıntılı bilgi almak için size en yakın yetkili Makita servisine başvurabilirsiniz.

- Çiviler
- Hazne
- Koruyucu gözlük
- Yakıt pili
- Temizleme kiti
- Orijinal Makita akü ve şarj cihazı

NOT:

- Listedeki bazı parçalar makineyle birlikte standart aksesuar olarak verilebilir. Ürünle verilen aksesuarlar ülkeden ülkeye farklılıklar gösterebilir.

Gürültü

ENG905-1

EN792 uyarınca belirlenen tipik A ağırlıklı gürültü seviyesi:

Ses basıncı seviyesi (L_{PA}): 89 dB (A)

Ses gücü seviyesi (L_{WA}): 102 dB (A)

Belirsizlik (K): 3 dB (A)

Koruyucu kulaklık kullanın.

Titreşim

ENG904-2

EN792 uyarınca belirlenen toplam titreşim değeri:

Titreşim emisyonu (a_{8h}): 3,5 m/s²

Belirsizlik (K): 1,5 m/s²

ENG901-1

- Belirtilen titreşim emisyonu değeri, standart test yöntemine göre ölçülmüştür ve makinenin diğer makinelerle karşılaştırılması için kullanılabilir.
- Belirtilen titreşim emisyonu değeri ayrıca maruziyetin ön değerlendirilmesinde de kullanılabilir.

⚠ UYARI:

- Elektrikli aletin gerçek kullanımını sırasında ortaya çıkacak titreşim emisyonu, aletin kullanıma şekline bağlı olarak belirlenen emisyon değerinden farklı olabilir.
- Gerçek kullanım koşullarındaki maruziyeti tahmin ederek (örneğin, aletin açılma süresine ek olarak kapalı konuma getirildiği ve rölantide çalıştığı süreler gibi çalışma döngüsünün tüm bileşenlerini dikkate alın), kullanıcıyı korumak için gerekli güvenlik önlemlerinin alındığından emin olun.

Yalnızca Avrupa ülkeleri için

ENH003-14

AT Uygunluk Beyanı

Makita Corporation, sorumlu üretici firma olarak, Makita marka makine/makineler ile ilgili şu hususları beyan eder:

Makinenin Adı:

Akülü Beton Çivi Çakma Tabancası

Model Numarası / Tipi: GN420C

seri üretimdir ve

Şu Avrupa Yönergelerine uygundur:

2006/42/EC

Ve şu standartlara veya standartlaştırılmış belgelere uygun olarak üretilmiştir:

EN792, EN60745

Teknik dokümanlar şu firma tarafından saklanmaktadır:

Makita International Europe Ltd.

Technical Department,

Michigan, Drive, Tongwell,

Milton Keynes, Bucks MK15 8JD, İngiltere

29. 03. 2012

Tomoyasu Kato

Müdür

Makita Corporation

3-11-8, Sumiyoshi-cho,

Anjo, Aichi, 446-8502, JAPAN

Makita Corporation
3-11-8, Sumiyoshi-cho,
Anjo, Aichi 446-8502 Japan

885157A993

www.makita.com

ALA