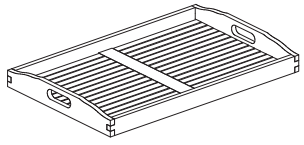
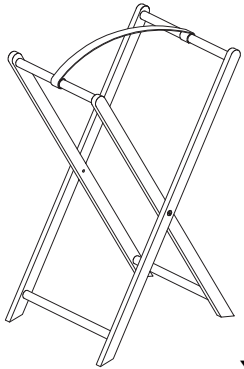


ASSEMBLY INSTRUCTIONS  
DT/2018

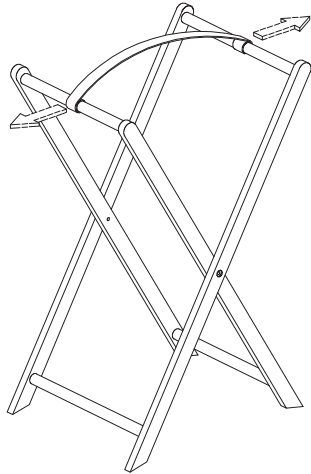


x1

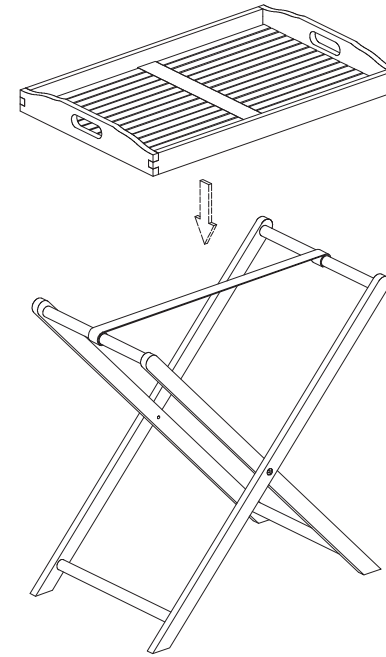


x1

1



2



3



HARDWARE



x2