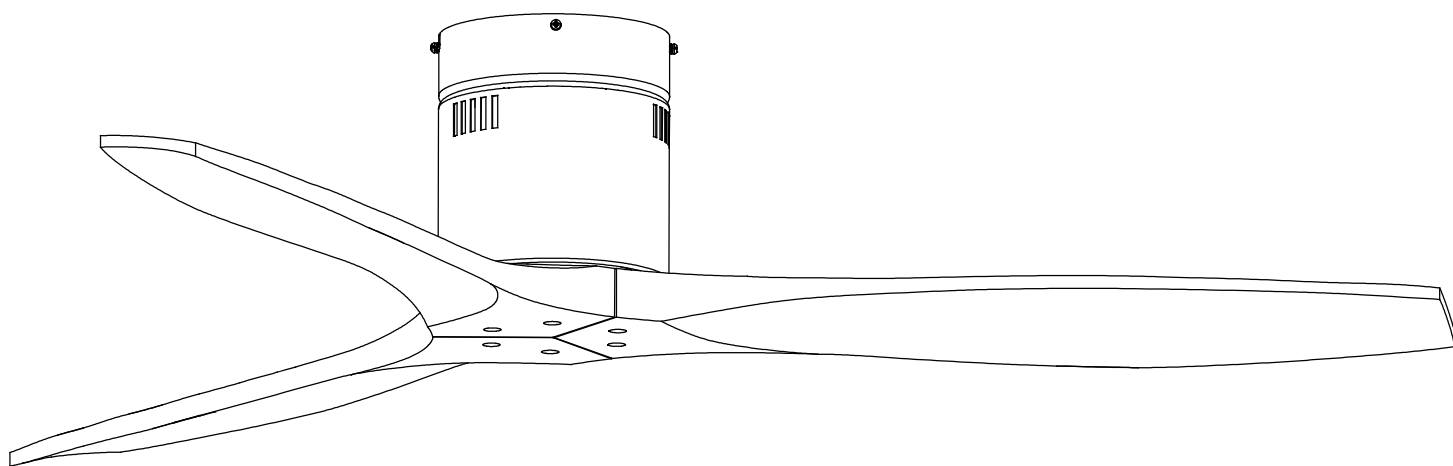
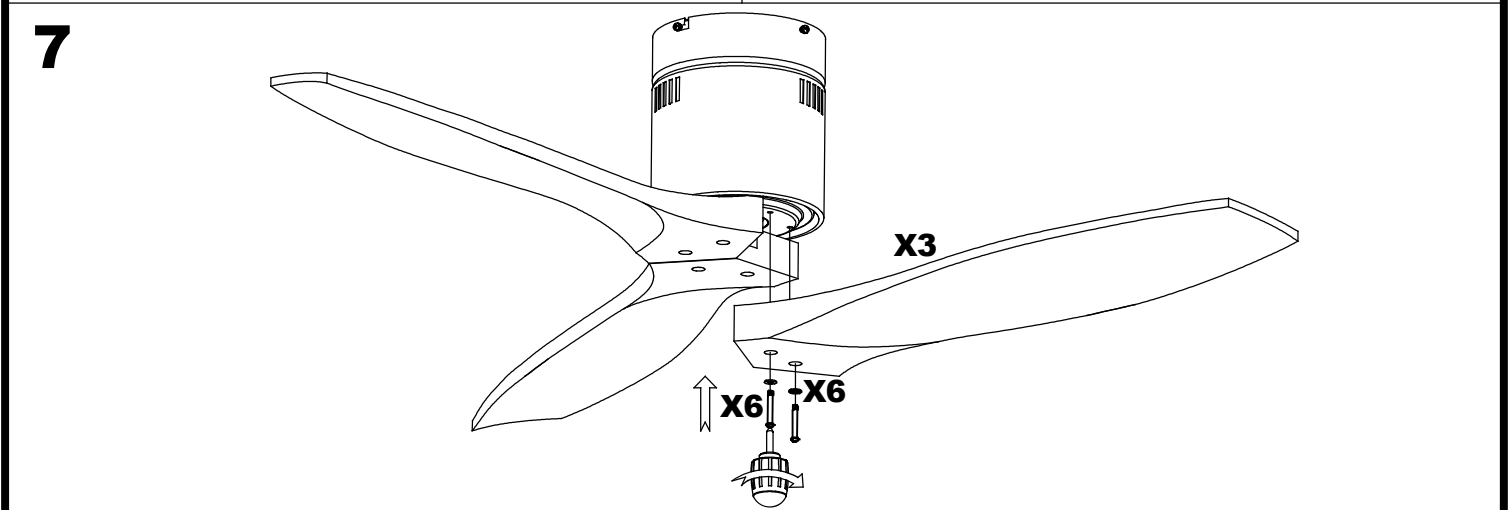
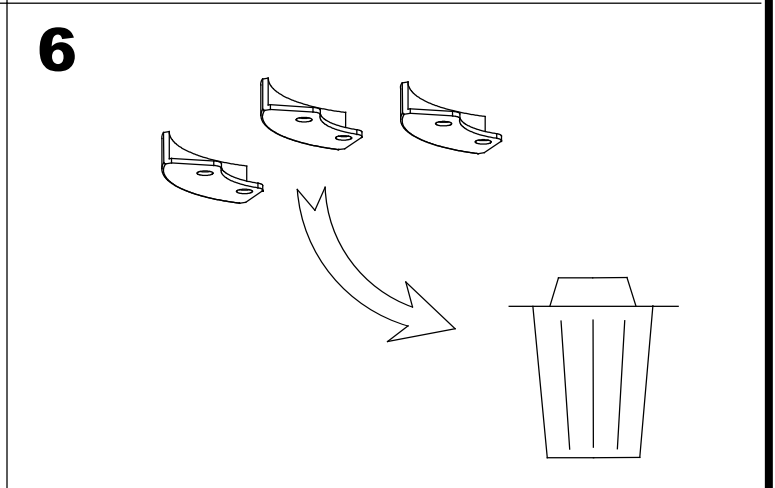
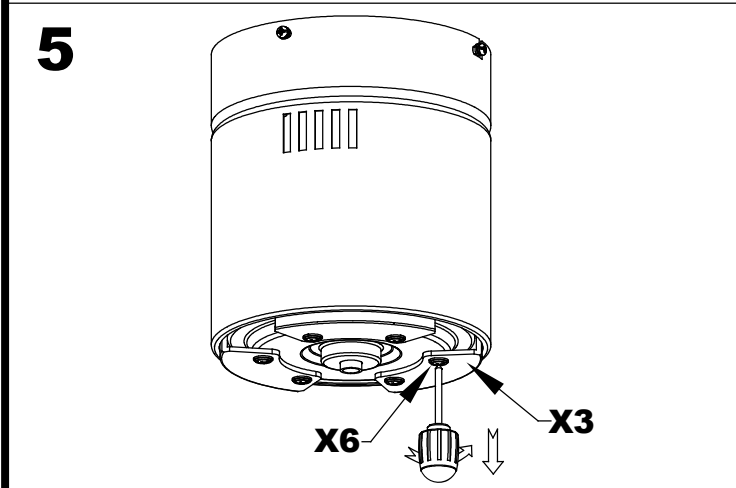
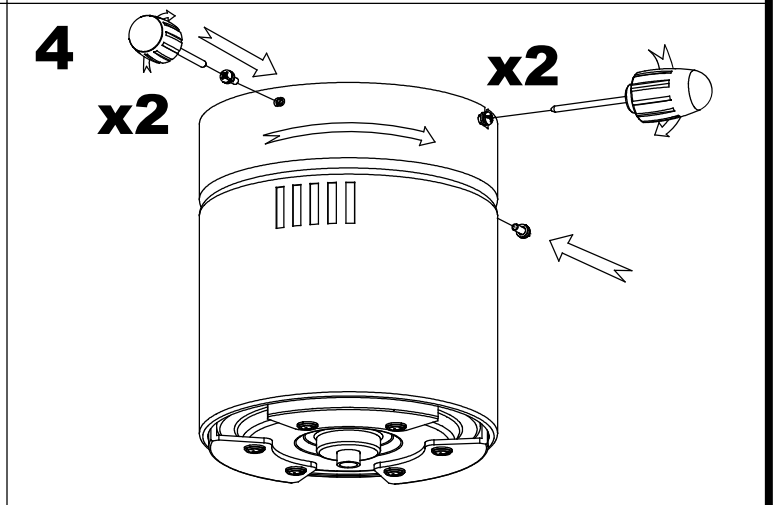
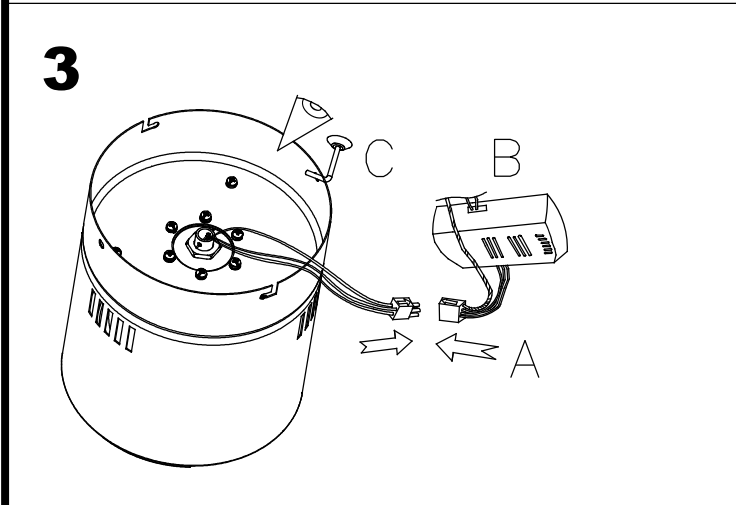
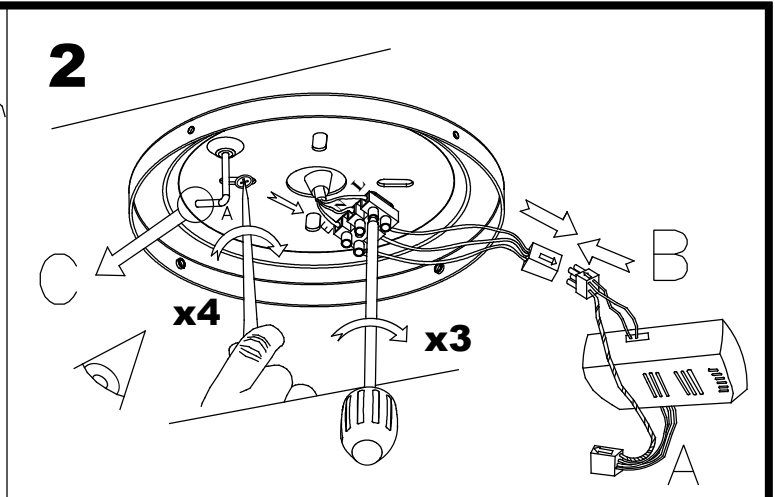
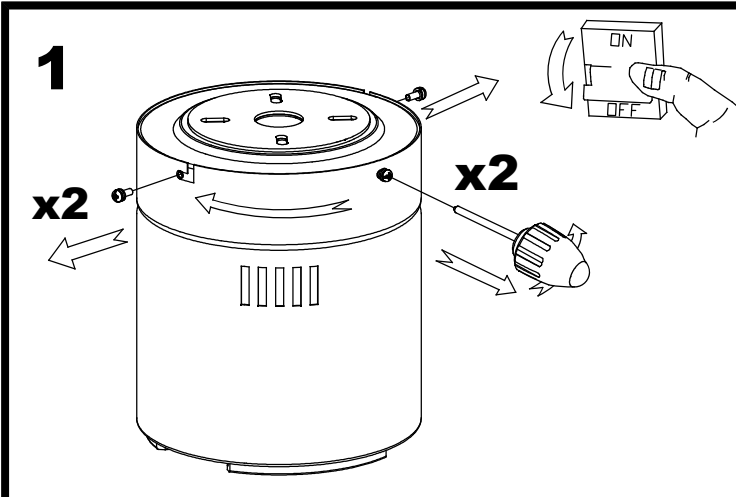




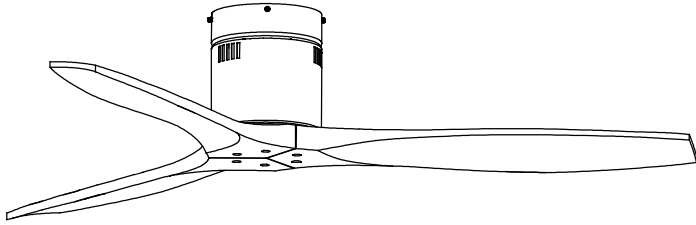
LEDS-C4

**30-5377-81-92,
30-5377-81-93**

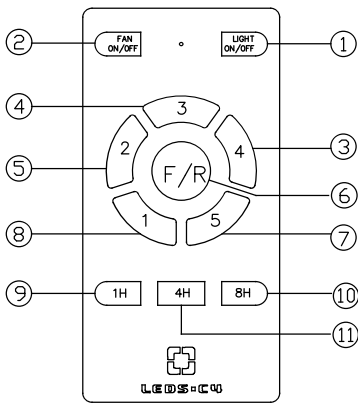
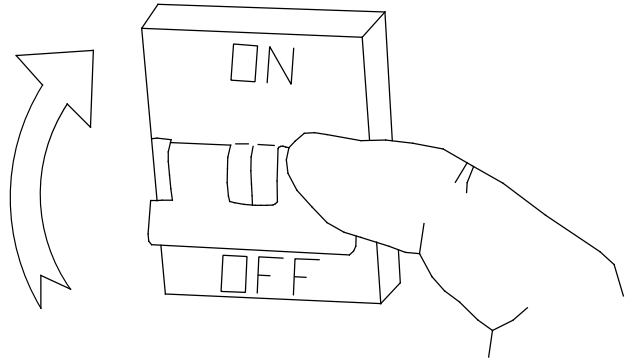




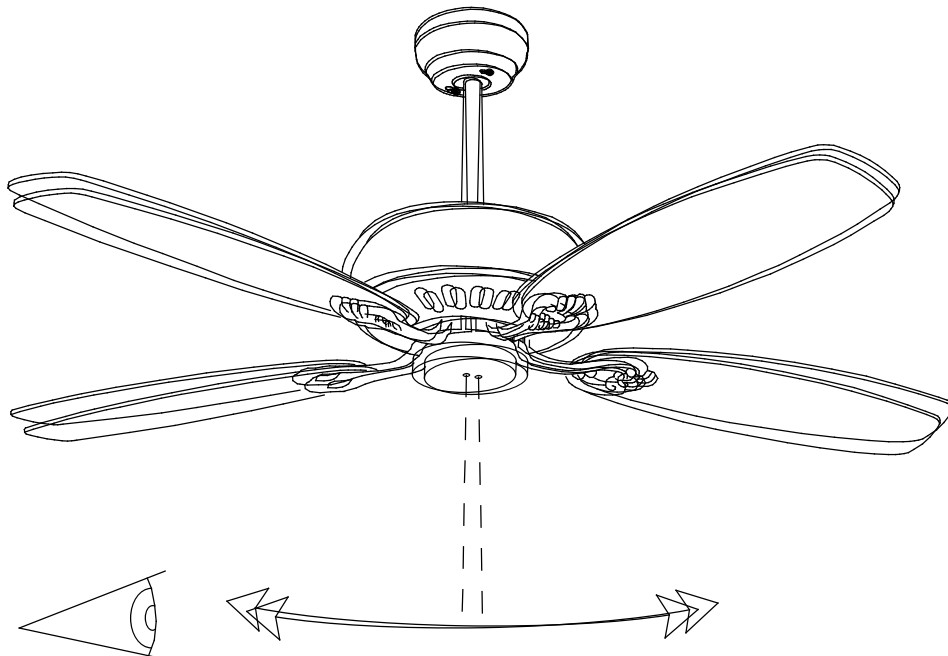
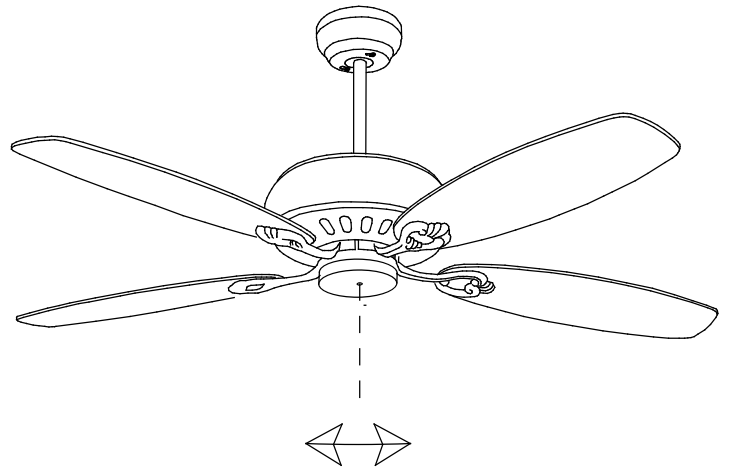
8

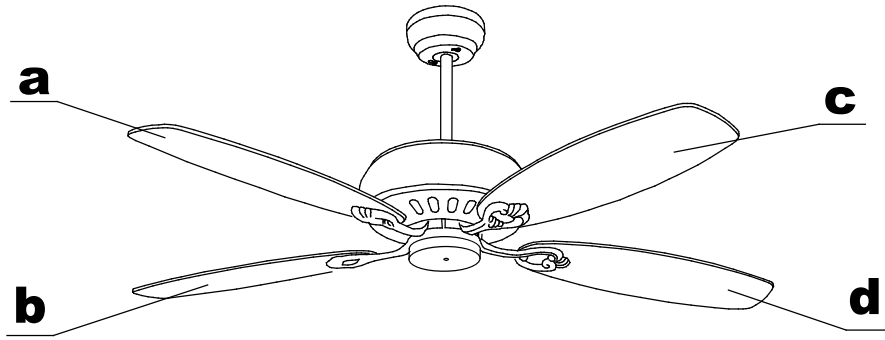


9



①	LIGHT ON/OFF
②	FAN ON/OFF
③	4
④	3
⑤	2
⑥	F/R
⑦	5
⑧	1
⑨	1H
⑩	8H
⑪	4H





1

ON = **NO**

2

ON = **NO**

3

ON = **OK**

4

ON = **NO**

