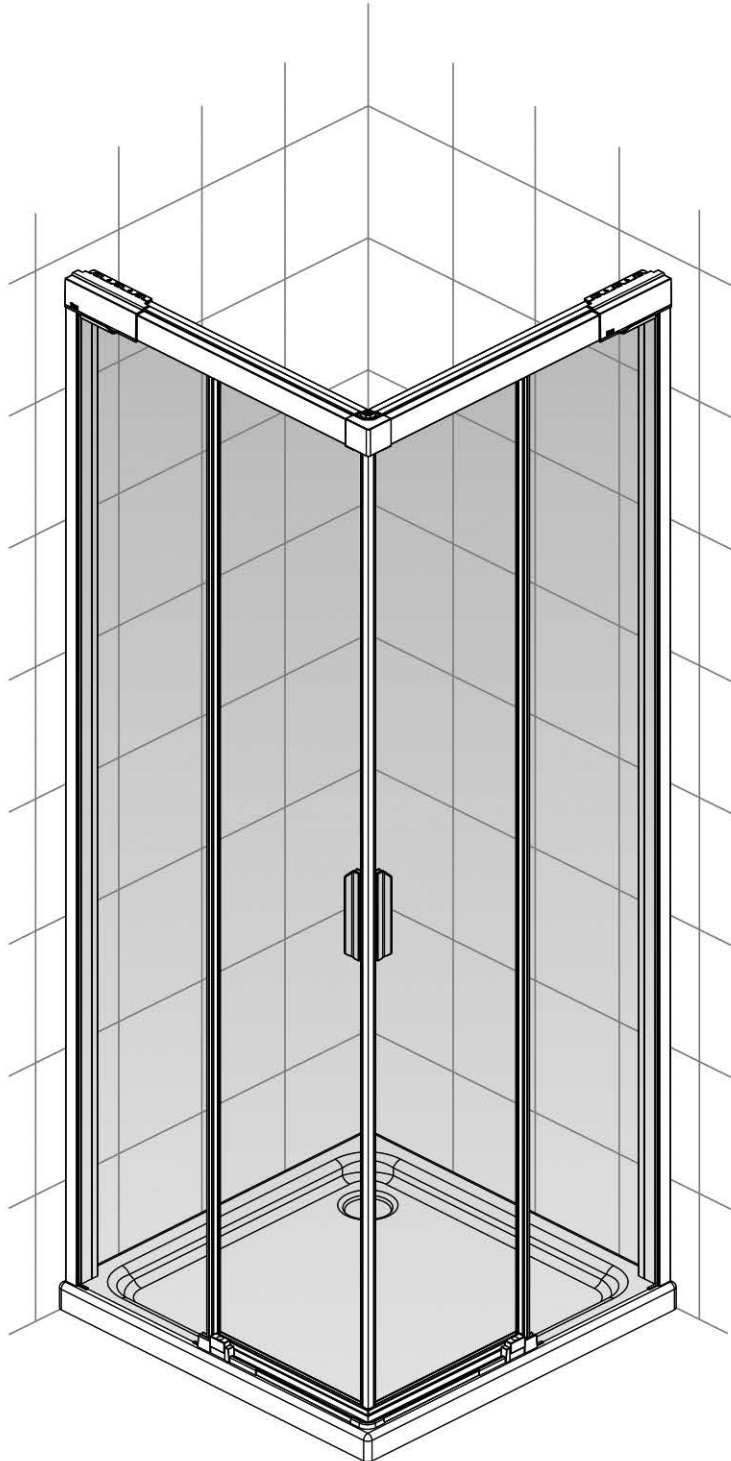


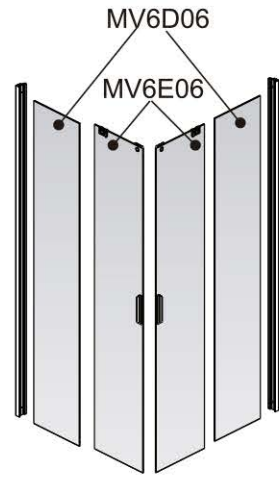
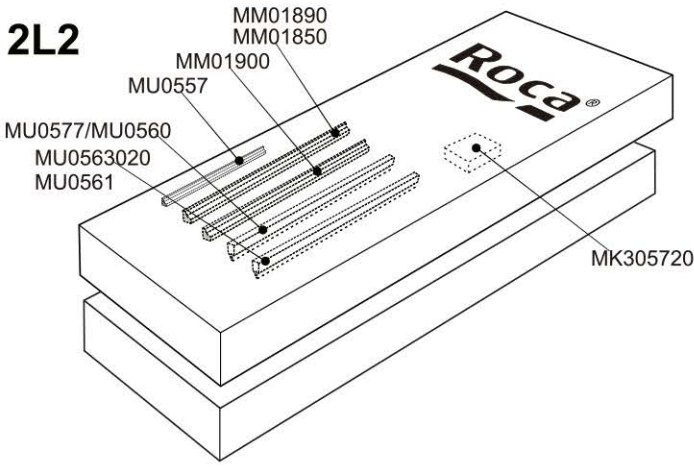


Roca












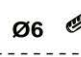


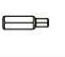
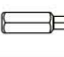
2L2

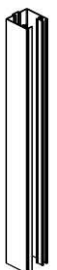
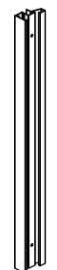
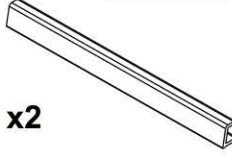

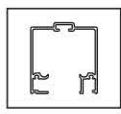
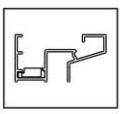
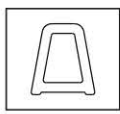
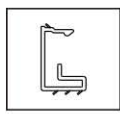





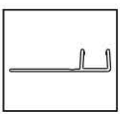
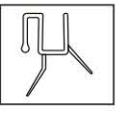

2L2

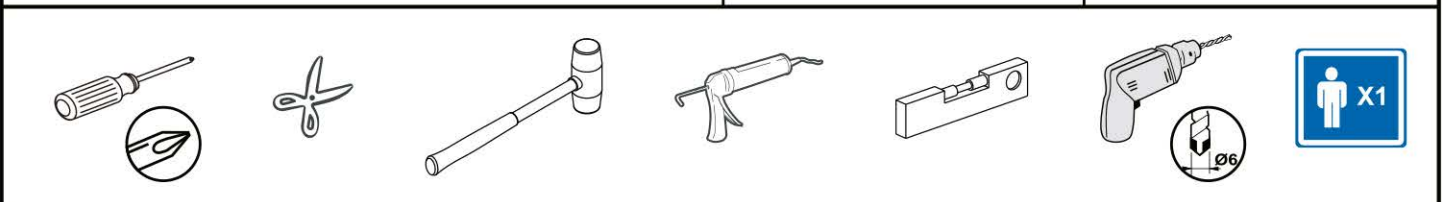


MK305720

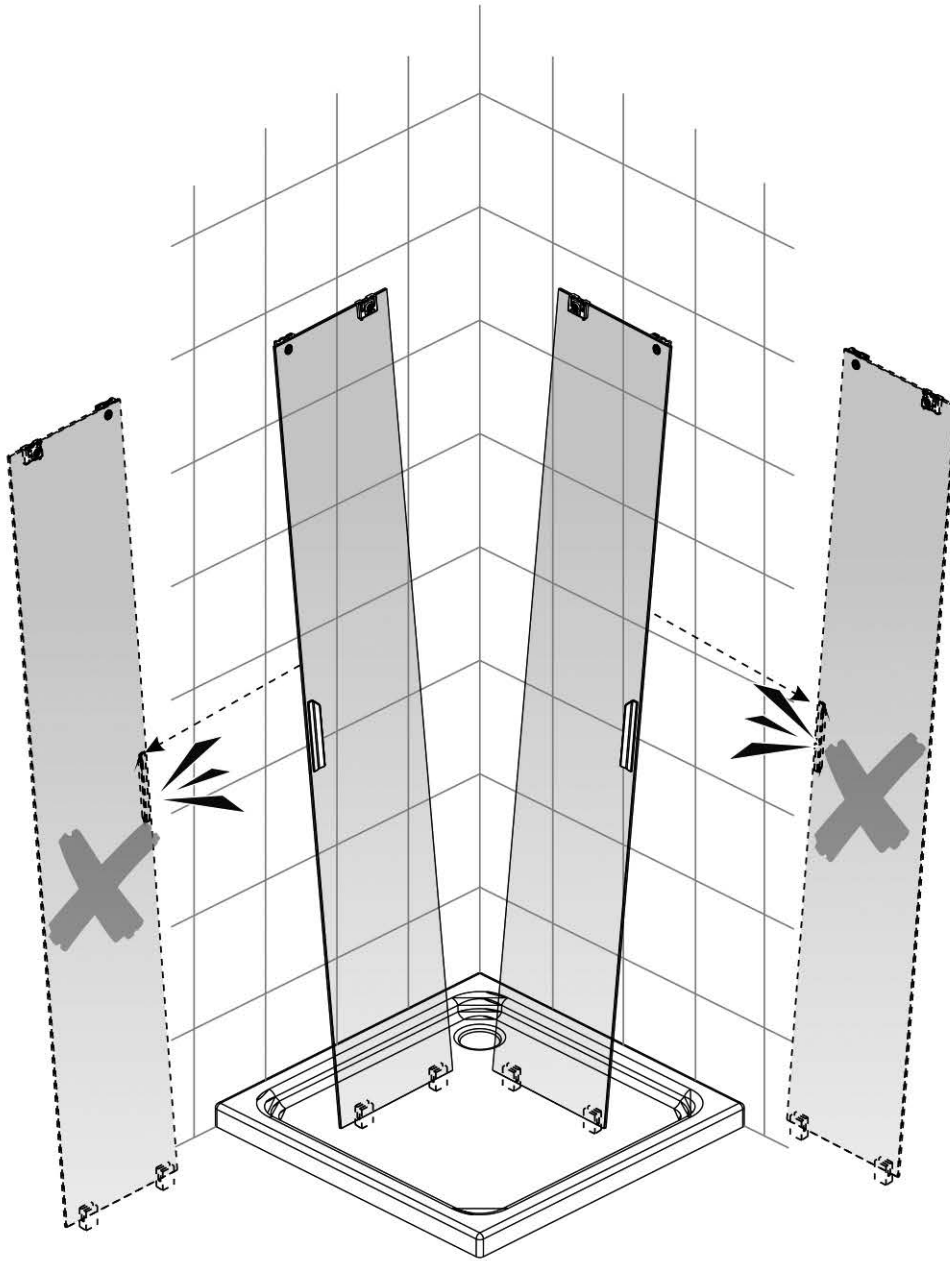
MK202410	 x2	 x2		
MK405580/5850	 x2			
MK202470	 x4			
MK202370	 x1	 x1	 x2	
MK202430	 x2	 x2		
MK202440	 x1			
MK201940	 x6	 x6		
MK202350	 x1 MTS0019	 x1 MTS0020	 x1 MTS0021	 x1 MTS0022

MM01890	MM01850	MM01900	MU0557
			
			
x2	x2	x2	x2

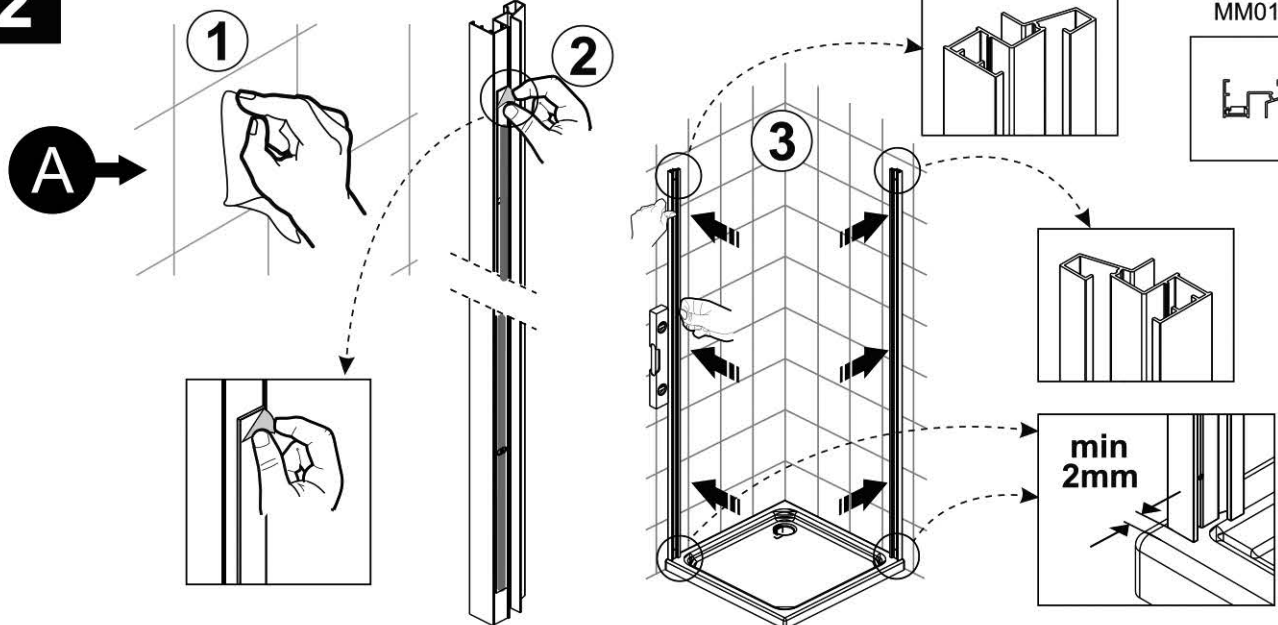
MU0560	MU0563020	MU0561
		
		
x2 MU0560020	x2 MU0560010	x2



1

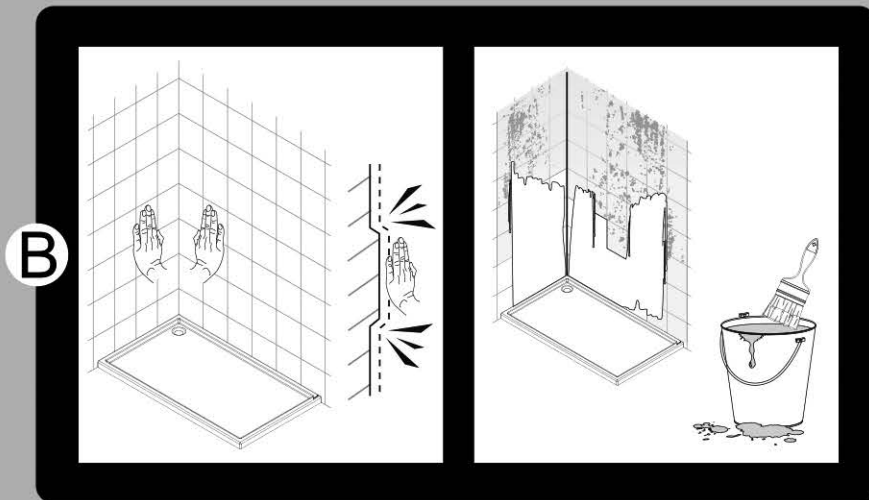
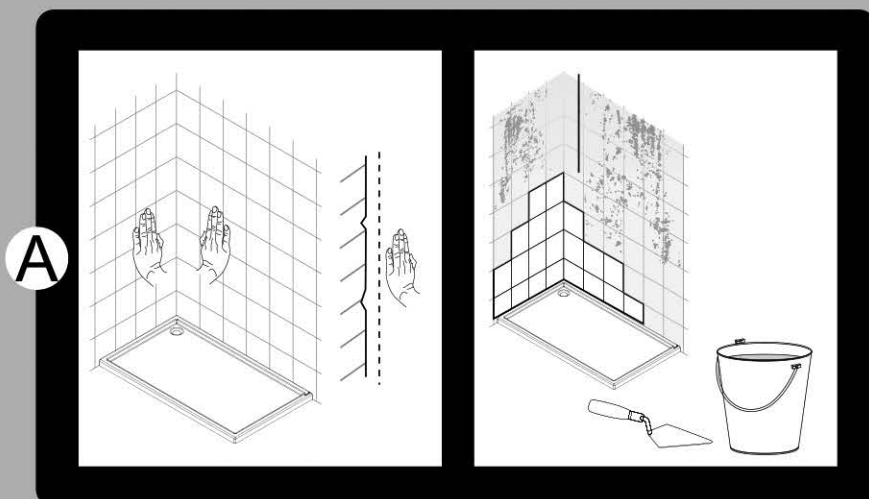


2



MM0185

! A/B !



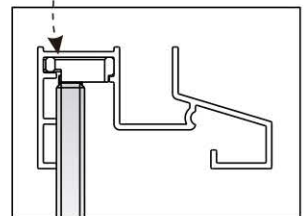
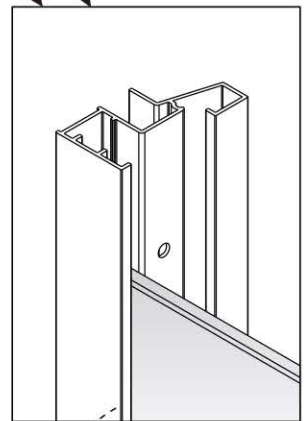
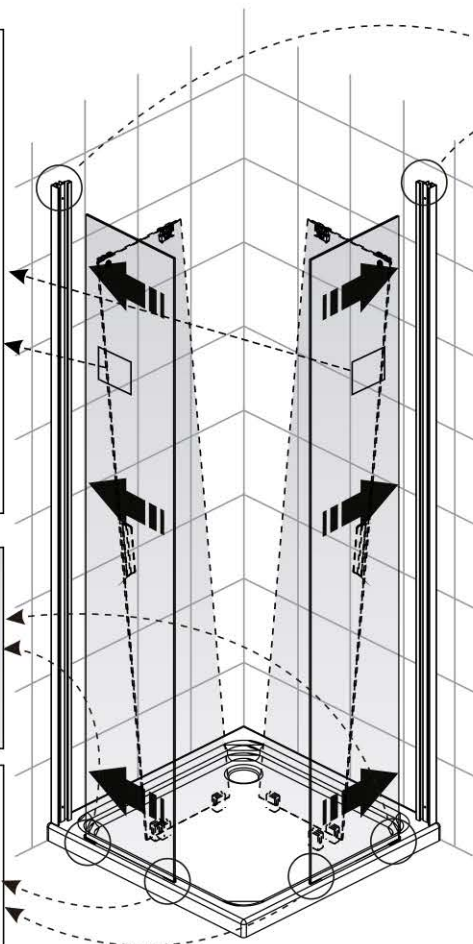
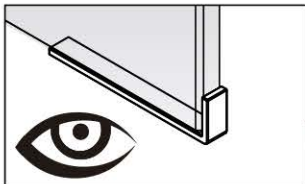
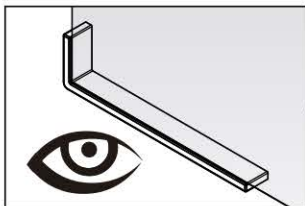
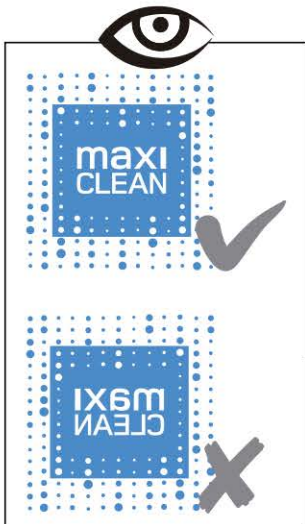
B →

* OPCION/OPTION/OPZIONE/OPÇÃO



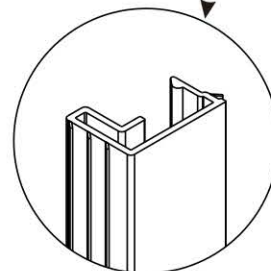
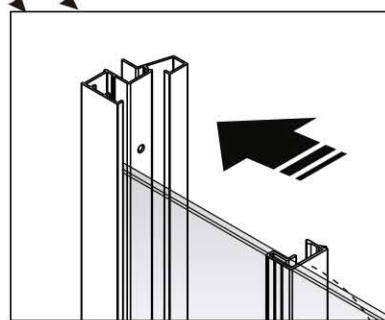
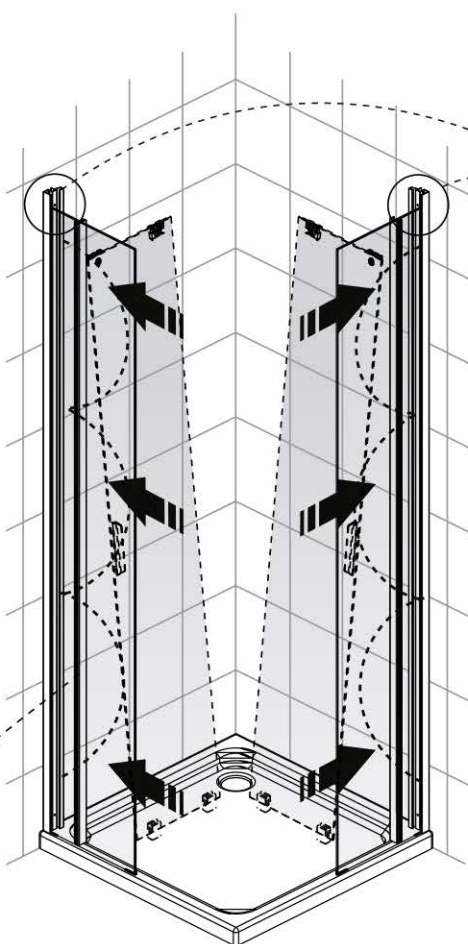
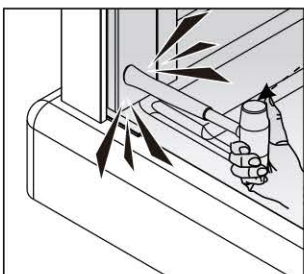
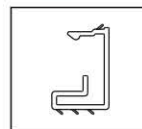
MK201940

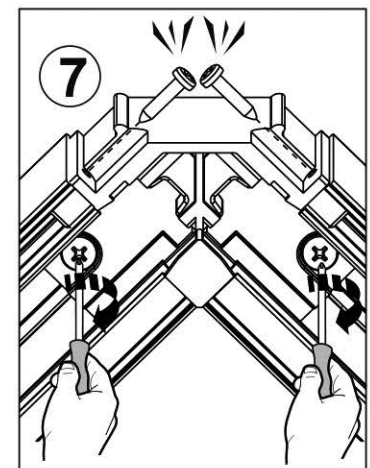
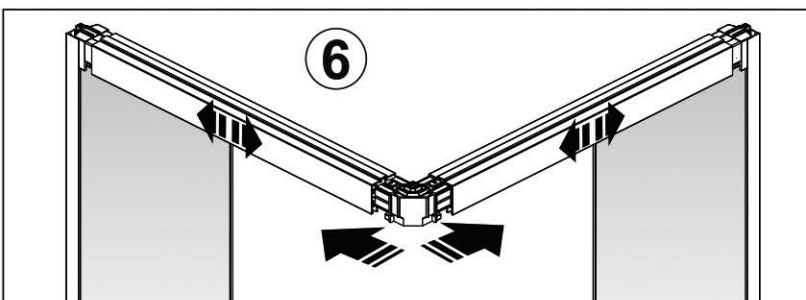
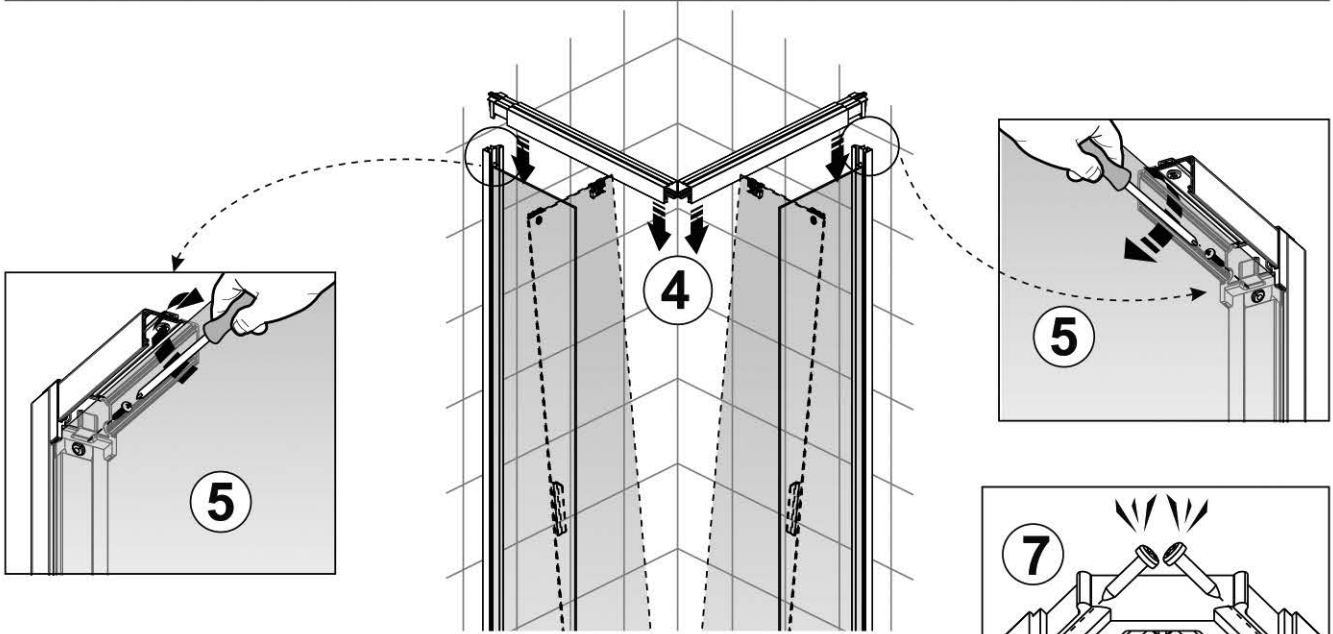
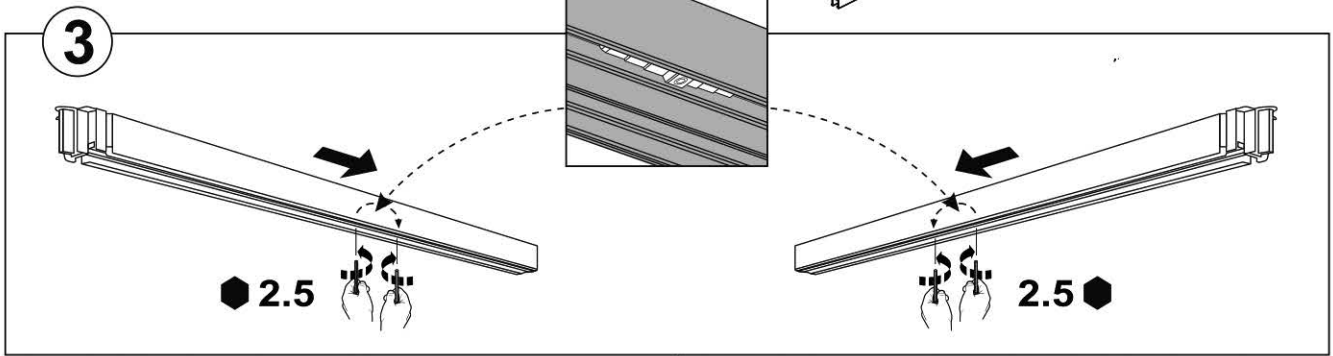
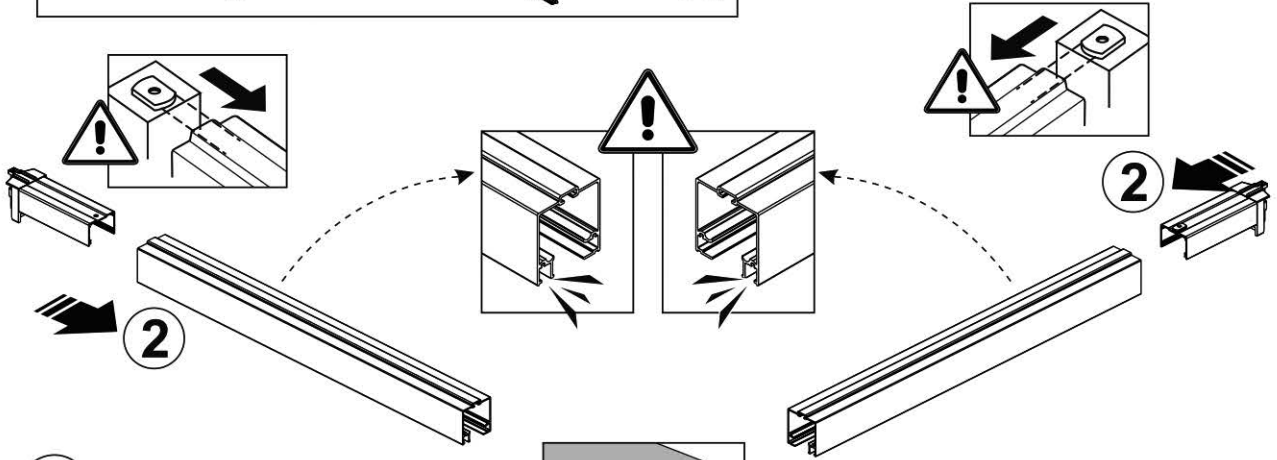
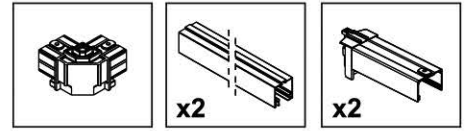
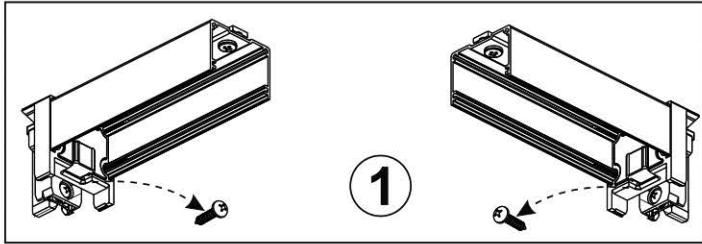
3



4

MU0557

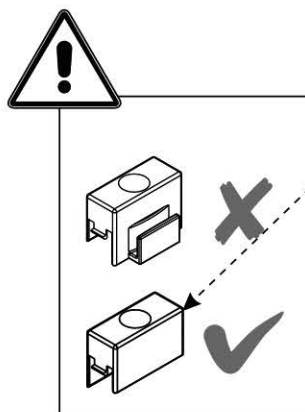
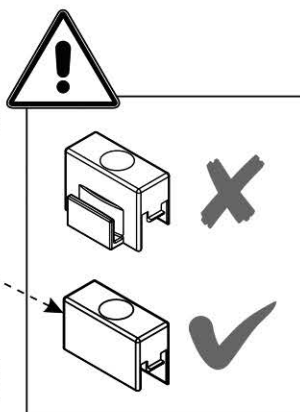
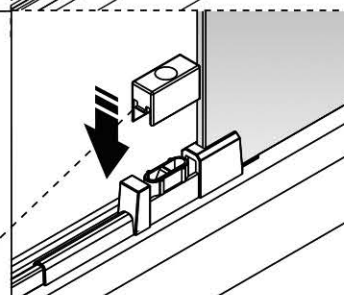
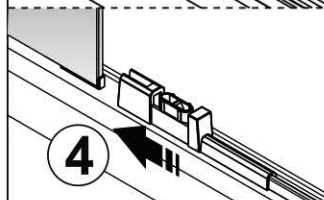
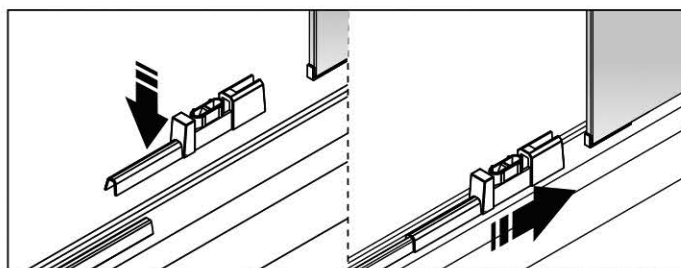
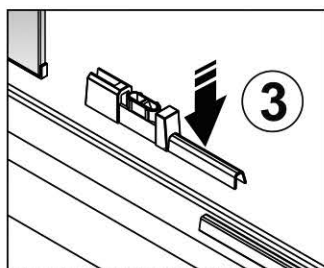
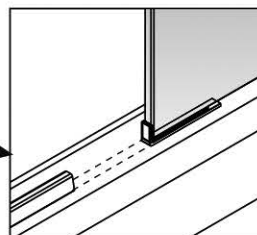
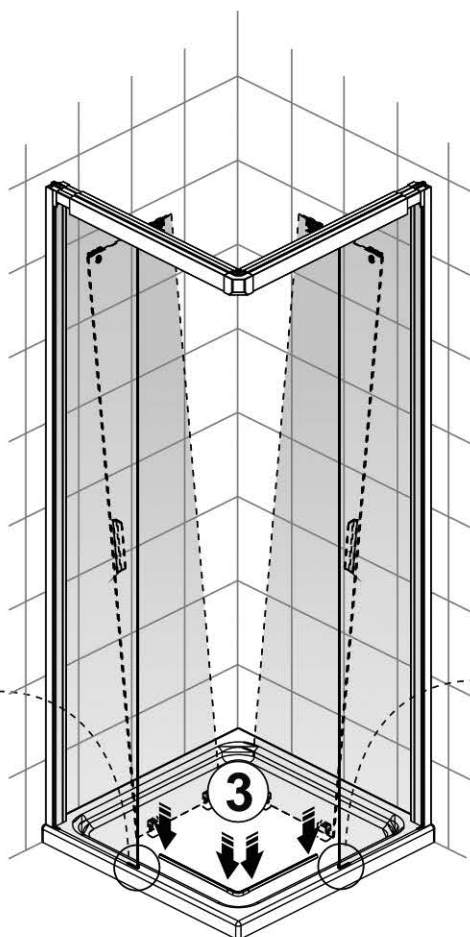
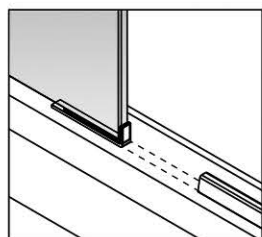
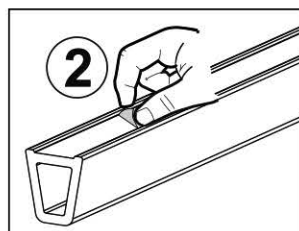
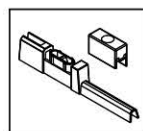
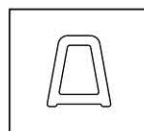
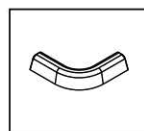




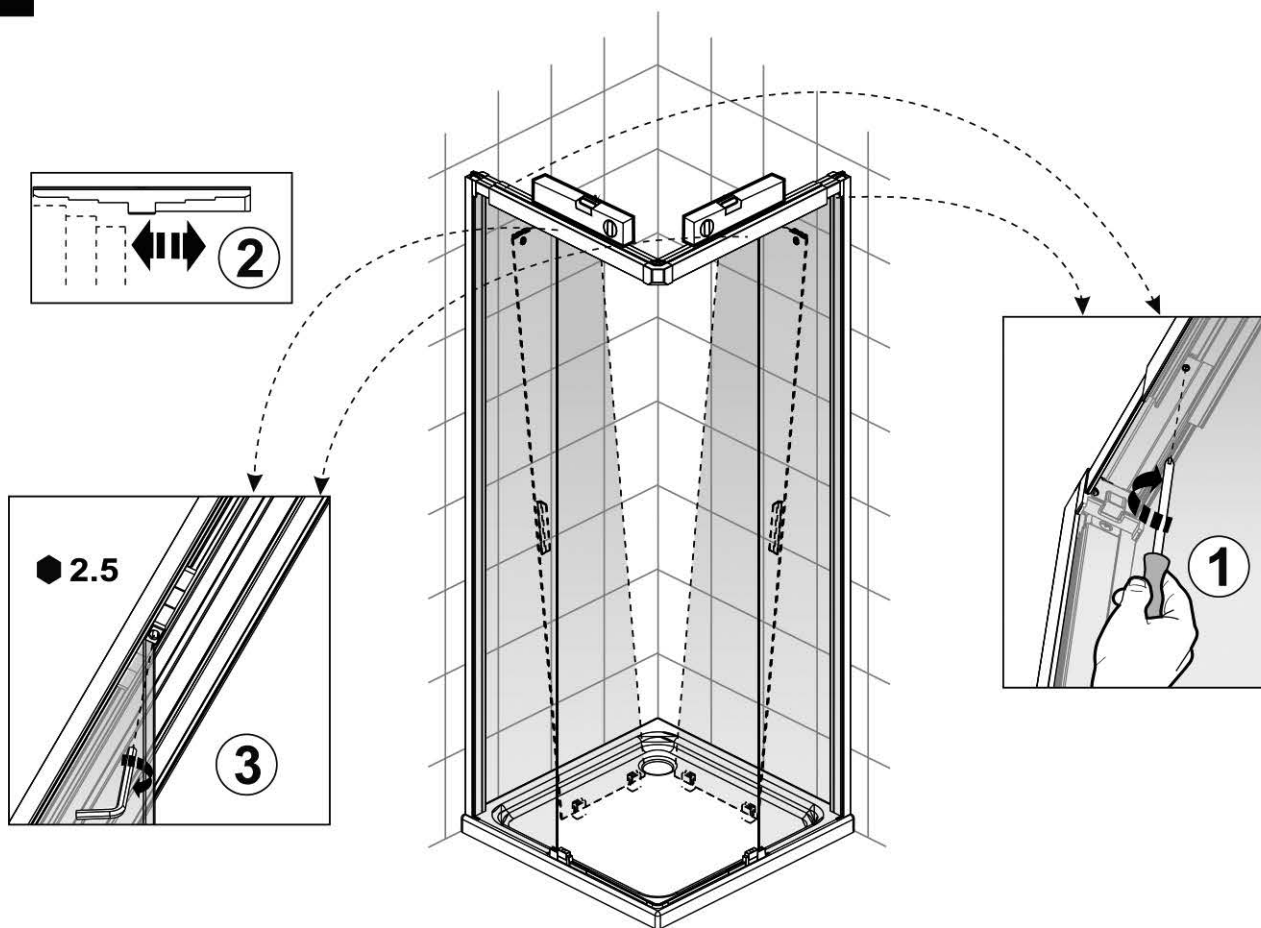
MK202440

MM01900

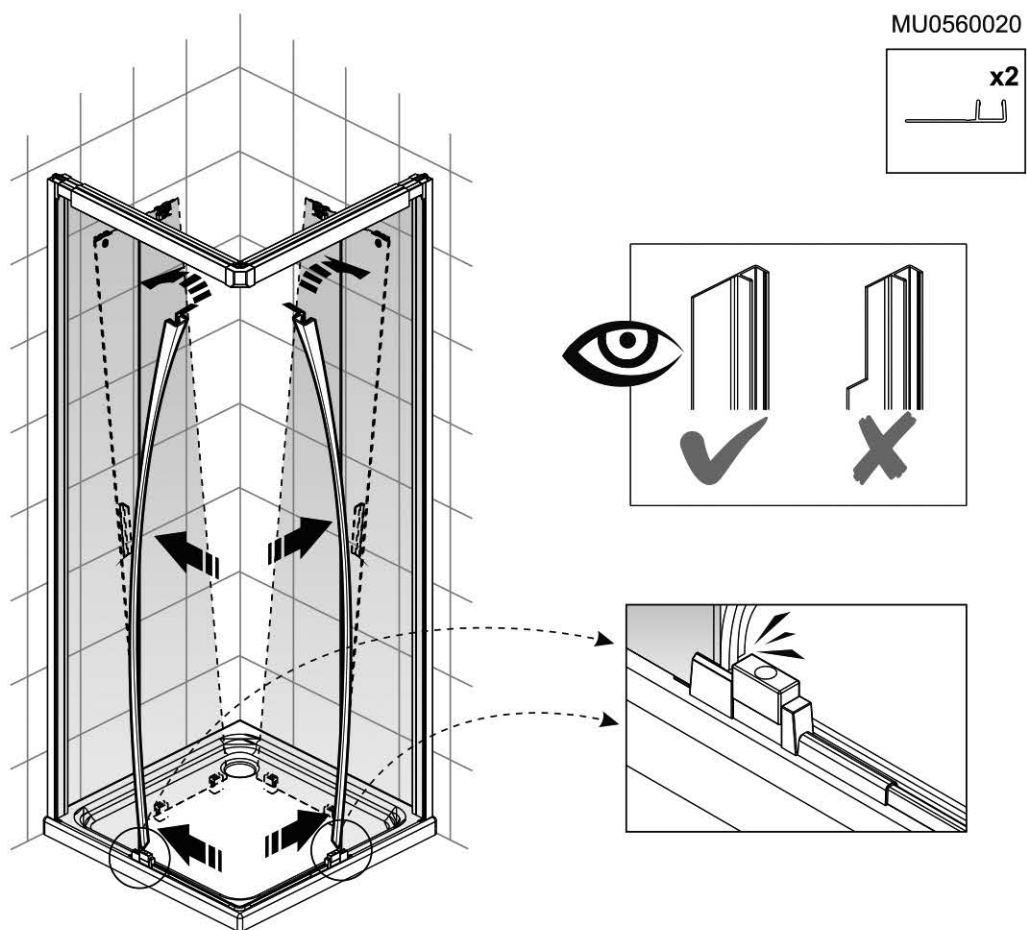
MK202430

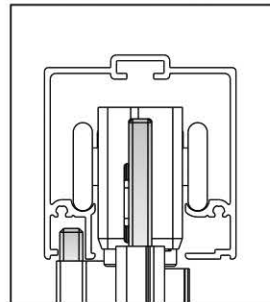
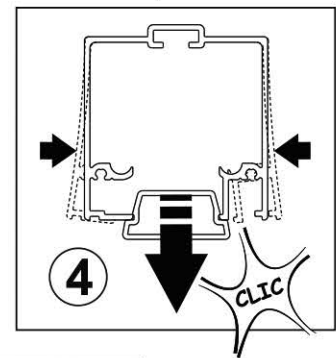
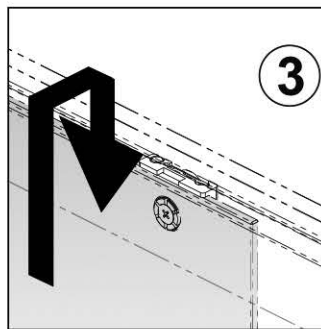
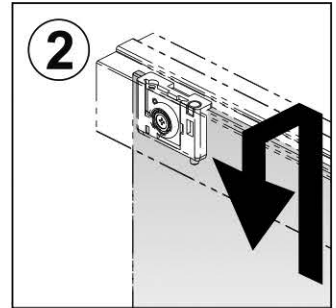
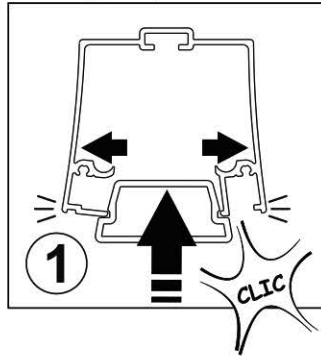
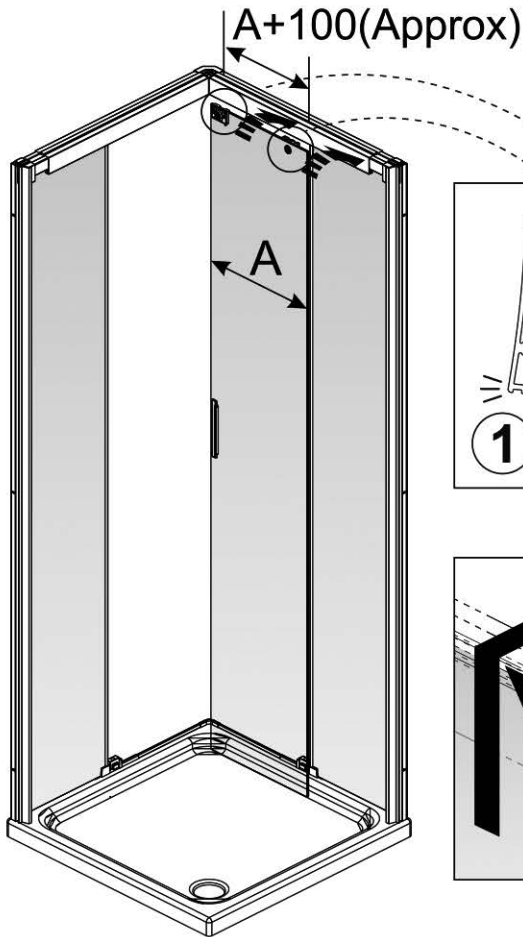
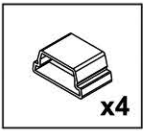


7

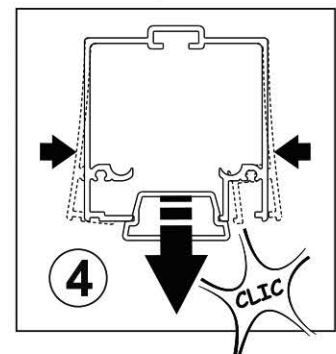
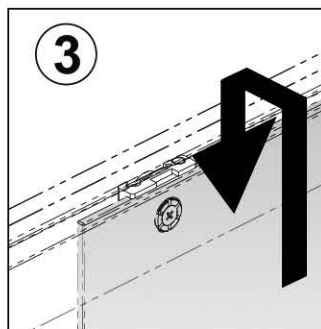
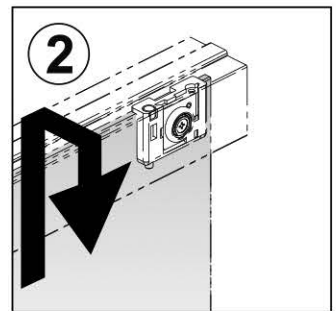
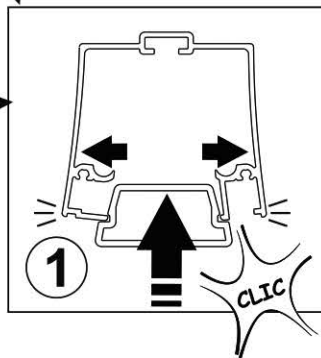
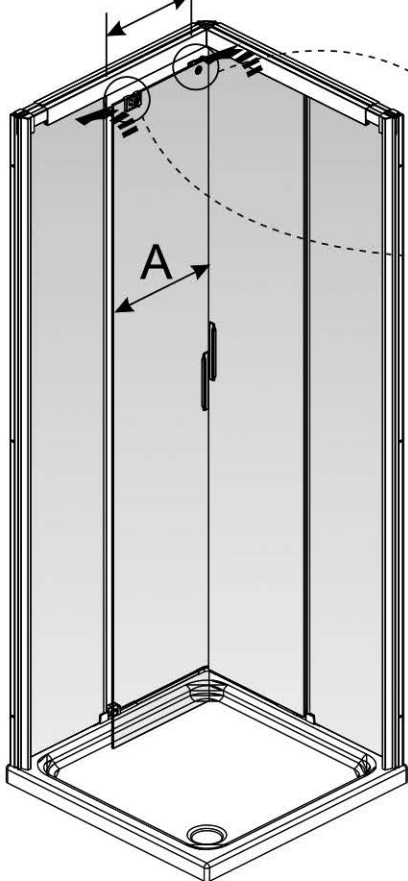


8





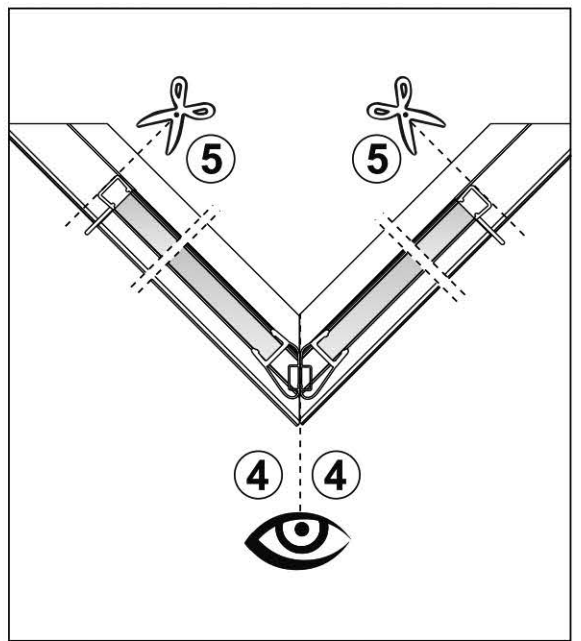
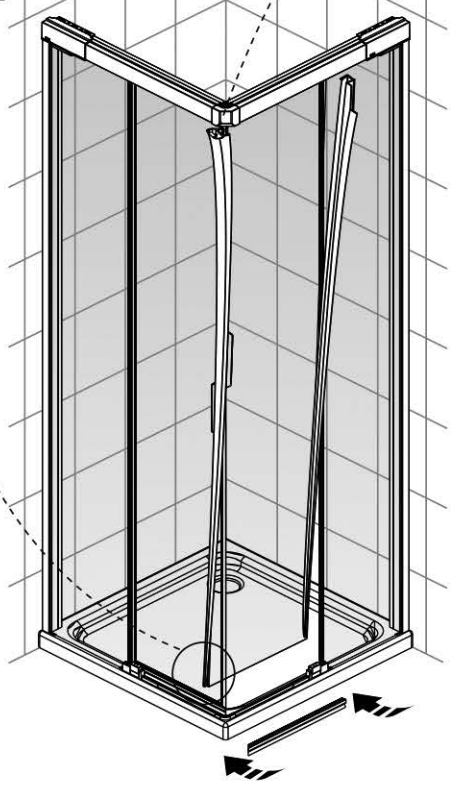
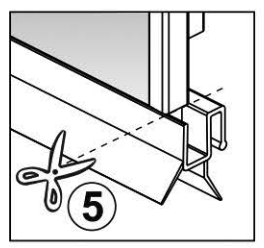
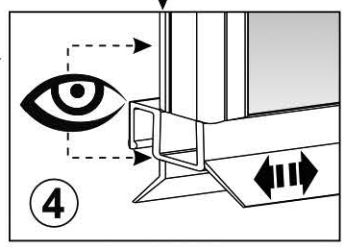
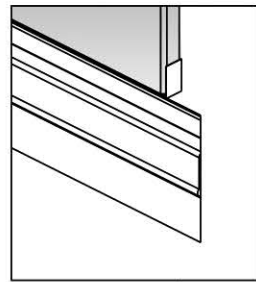
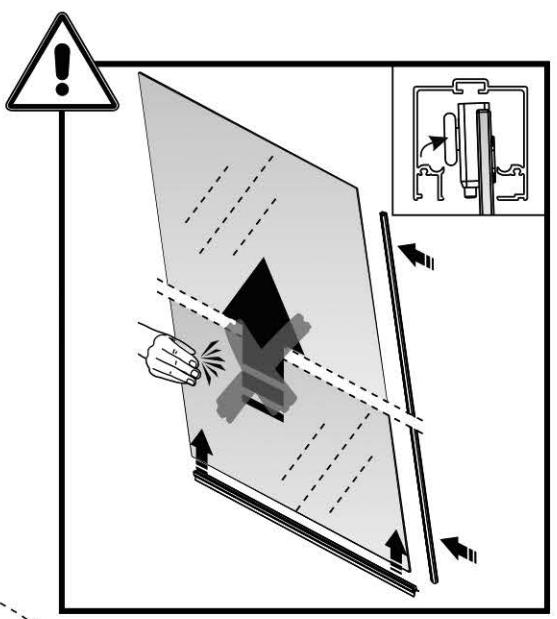
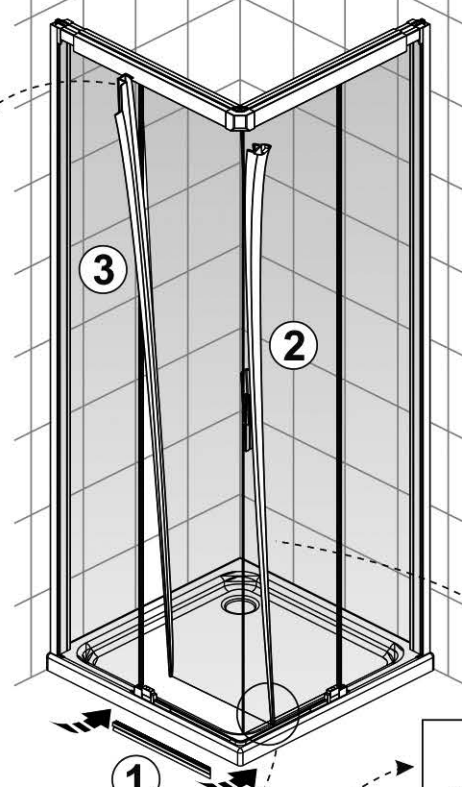
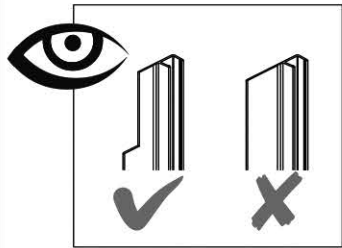
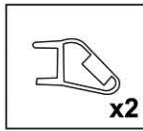
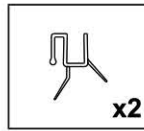
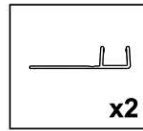
A+100(Approx)

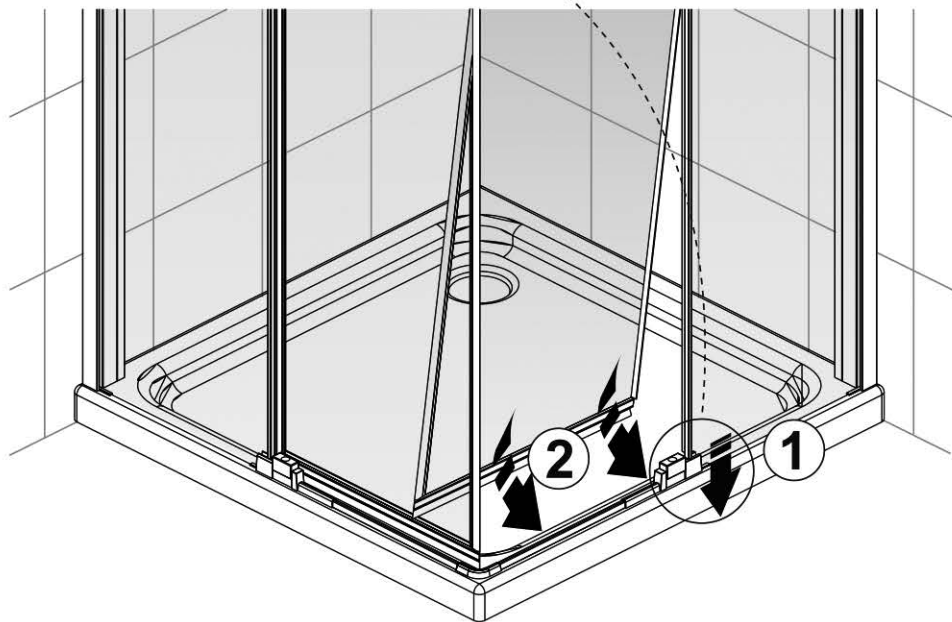
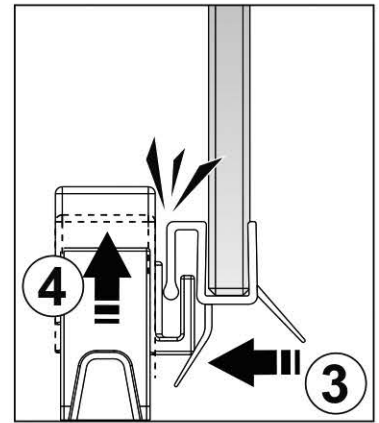
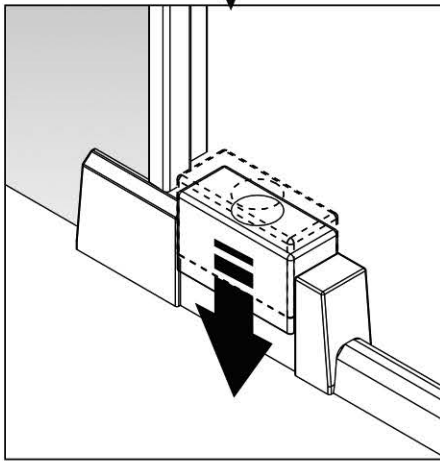
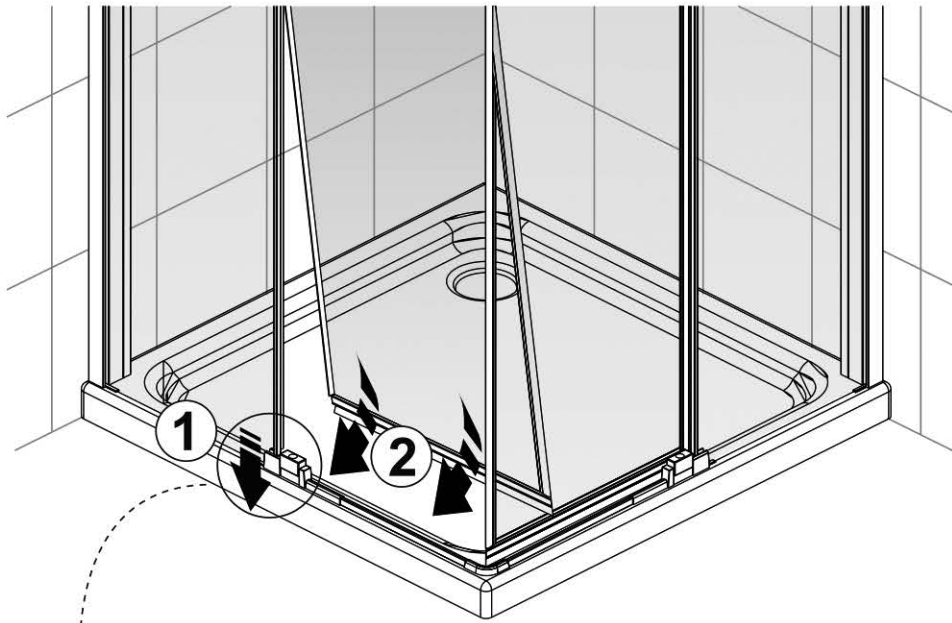


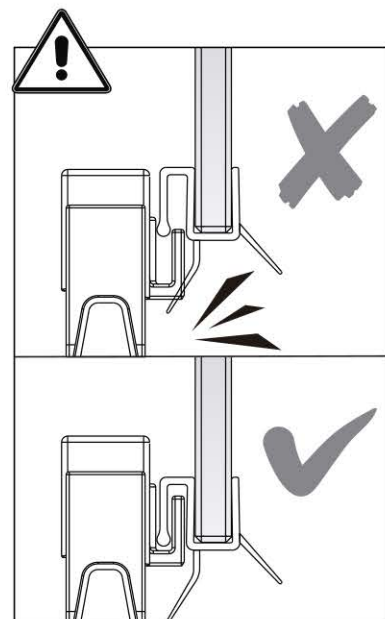
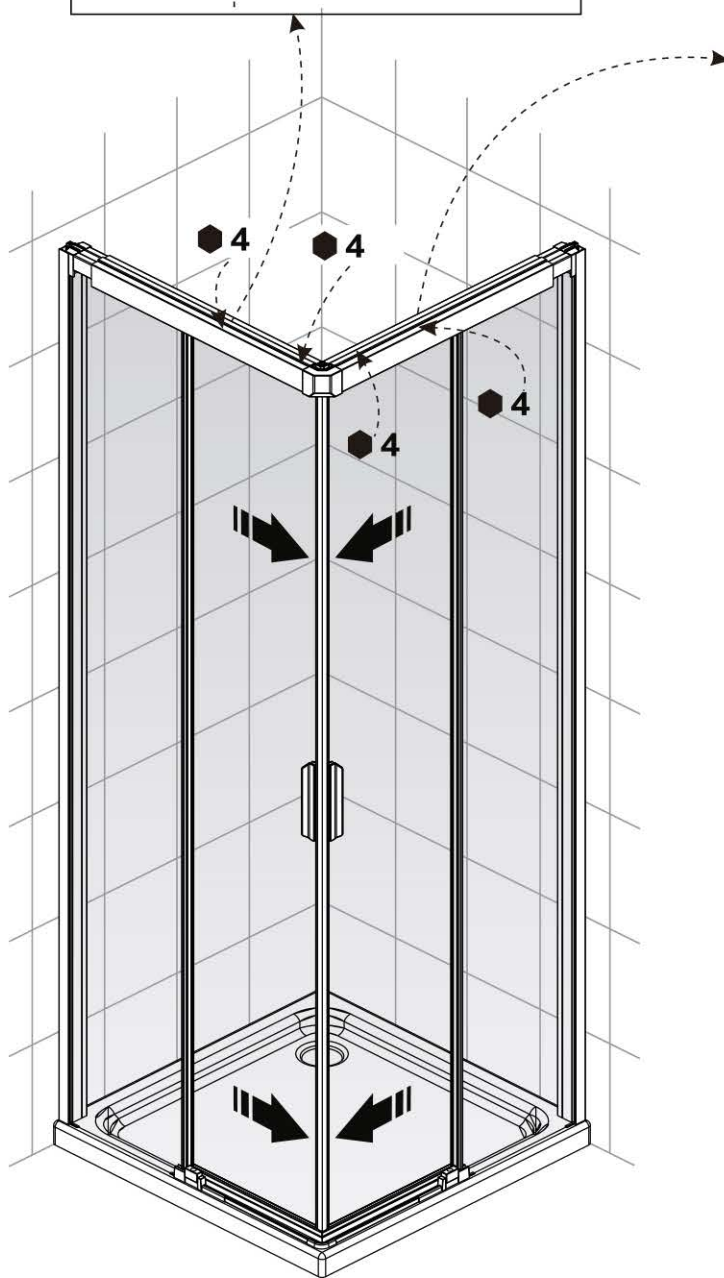
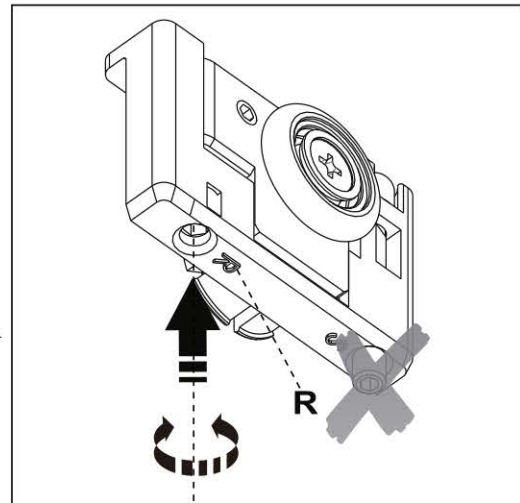
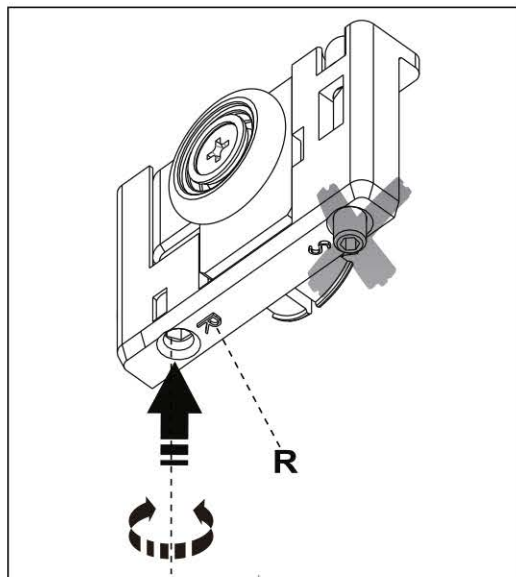
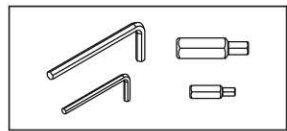
MU0560010

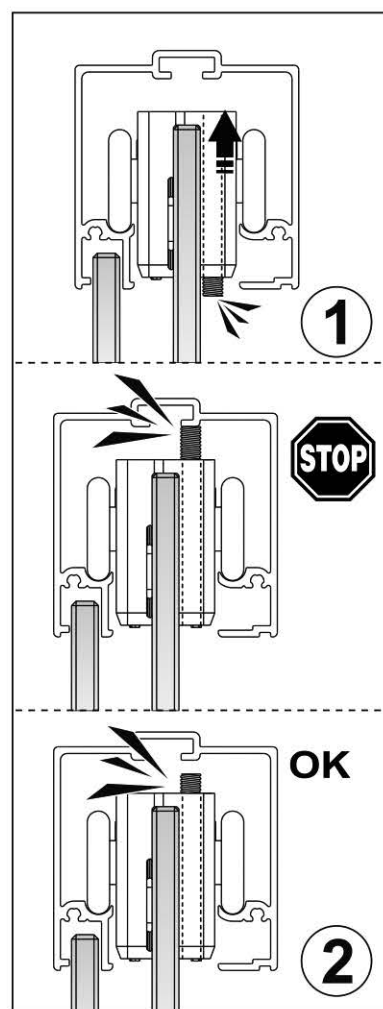
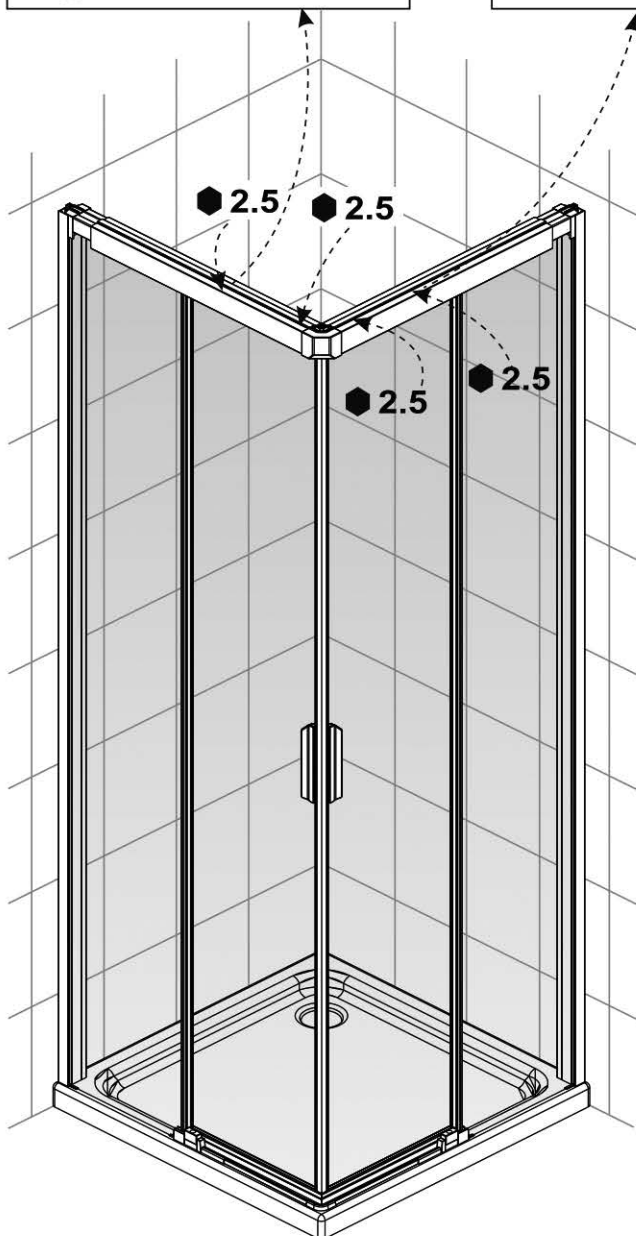
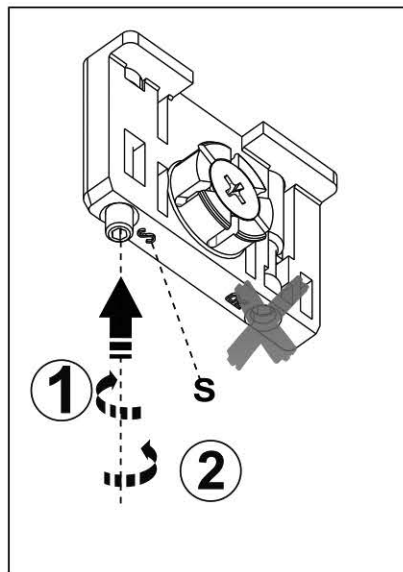
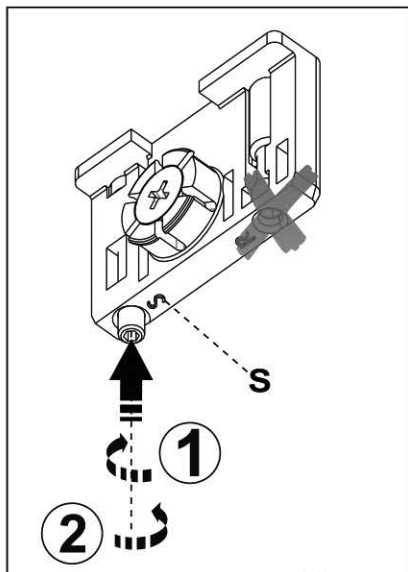
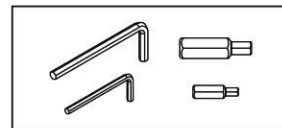
MU0563020

MU0561



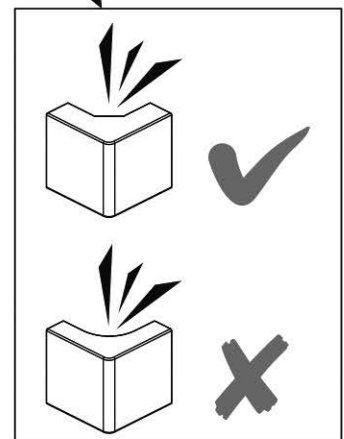
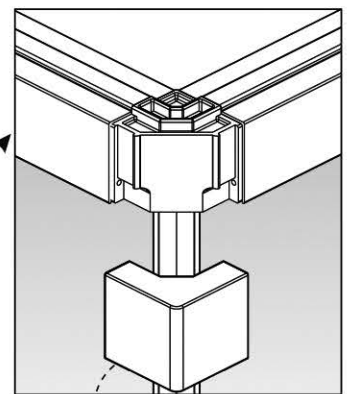
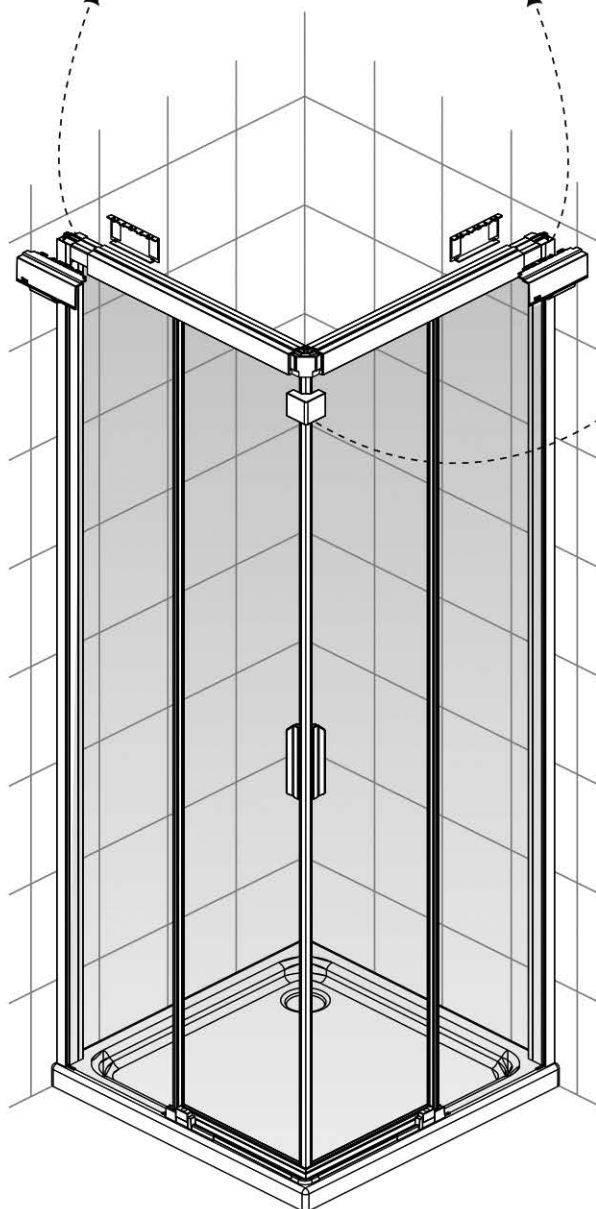
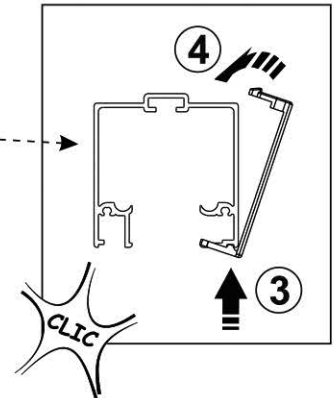
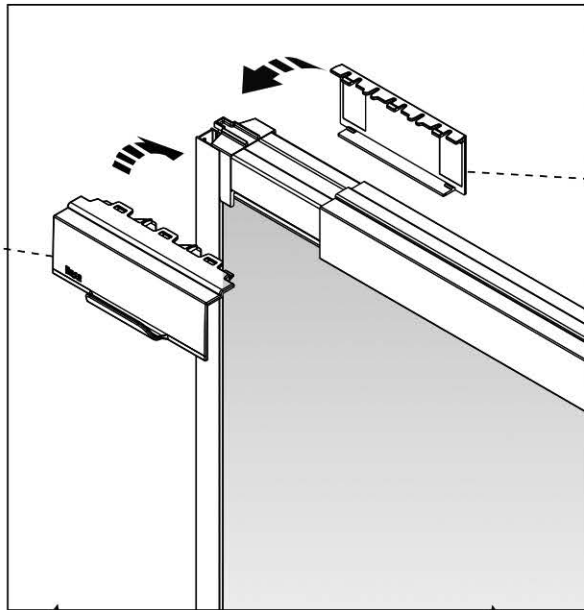
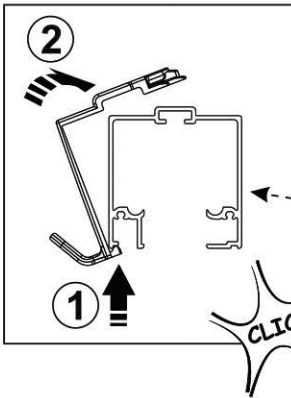
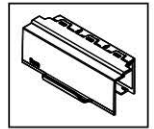
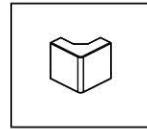


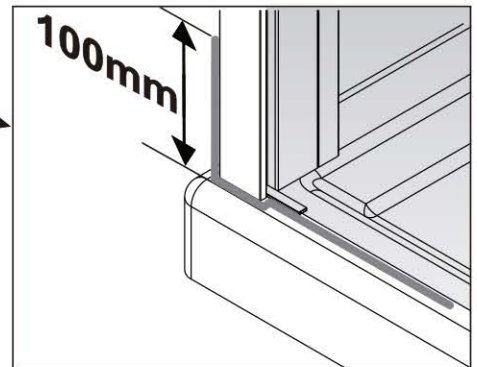
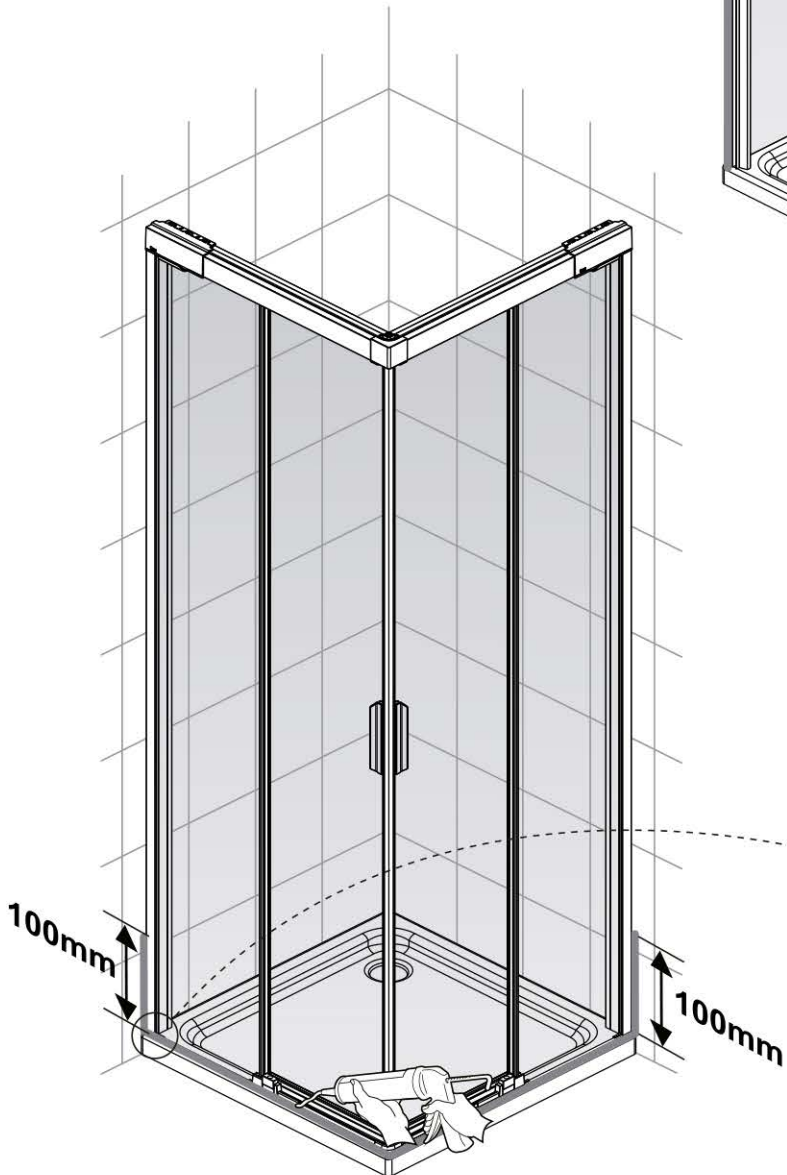
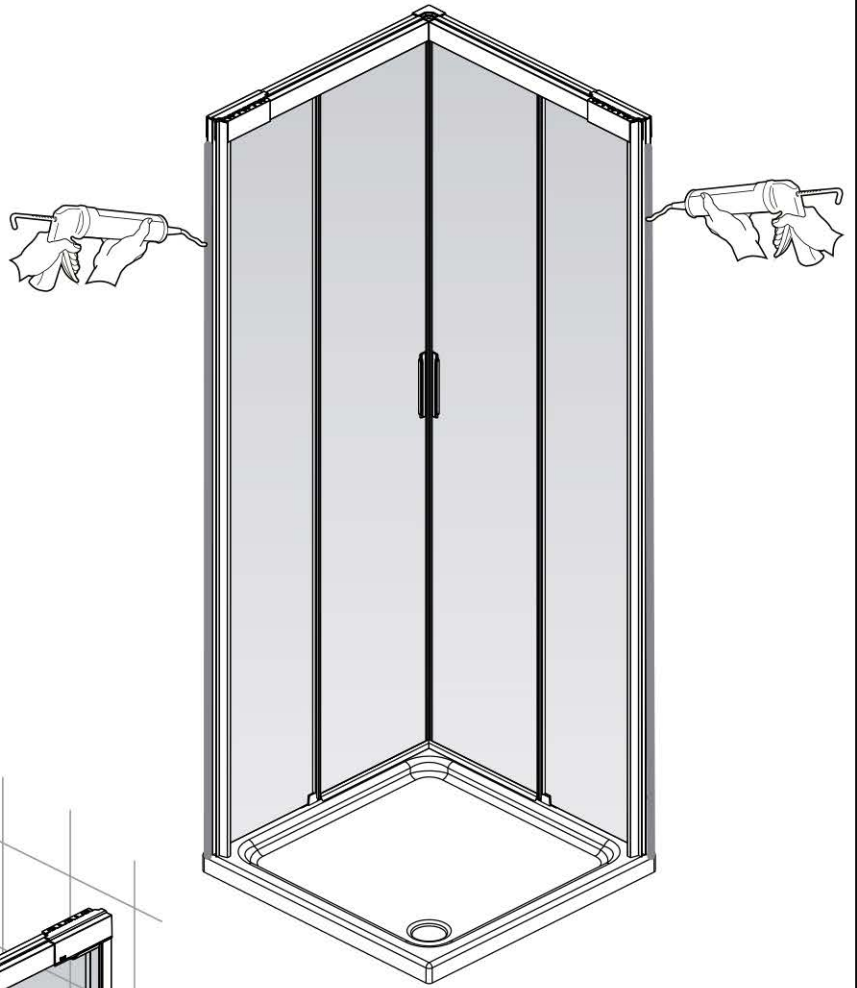


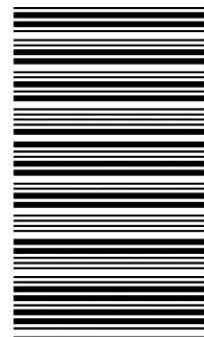
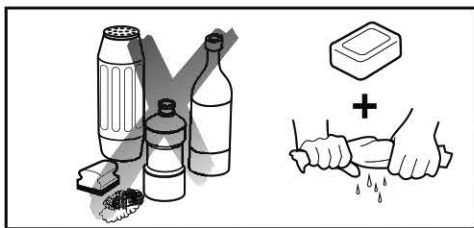


MK202380

MK202410







V6

MTG0640

Roca Sanitario, S.A.

Avda. Diagonal, 513
08029 Barcelona - SPAIN
Teléfono 93 366 1200
Fax 93 419 4501
www.roca.es

Roca

**902
304
848** 
LÍNEA DE
ATENCIÓN AL
CONSUMIDOR
ESPAÑA