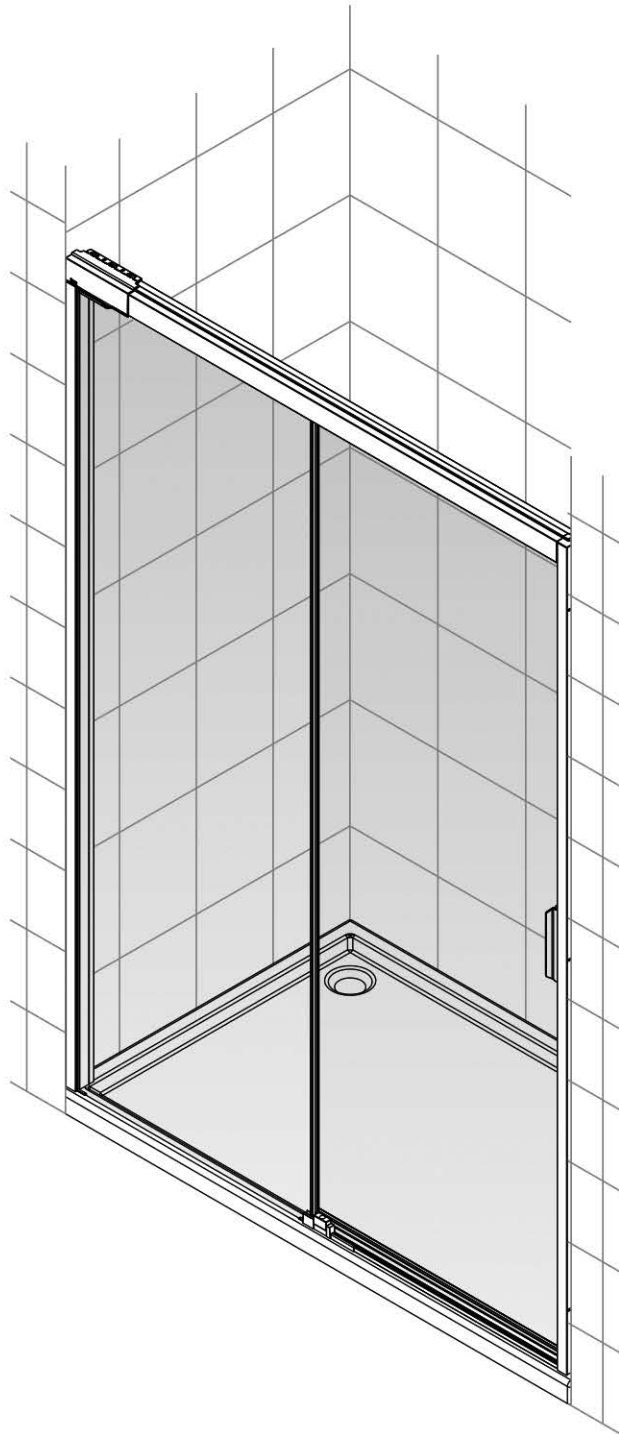


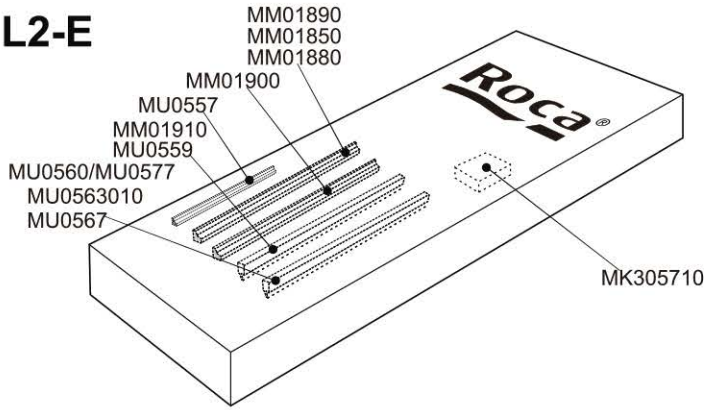


**Roca**

**L2-E**



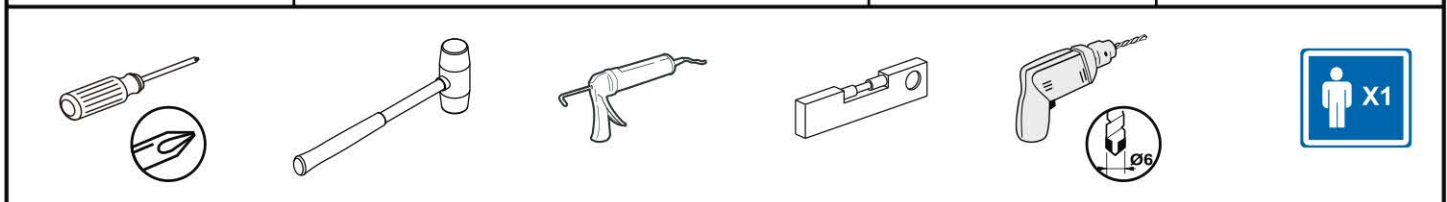
# L2-E



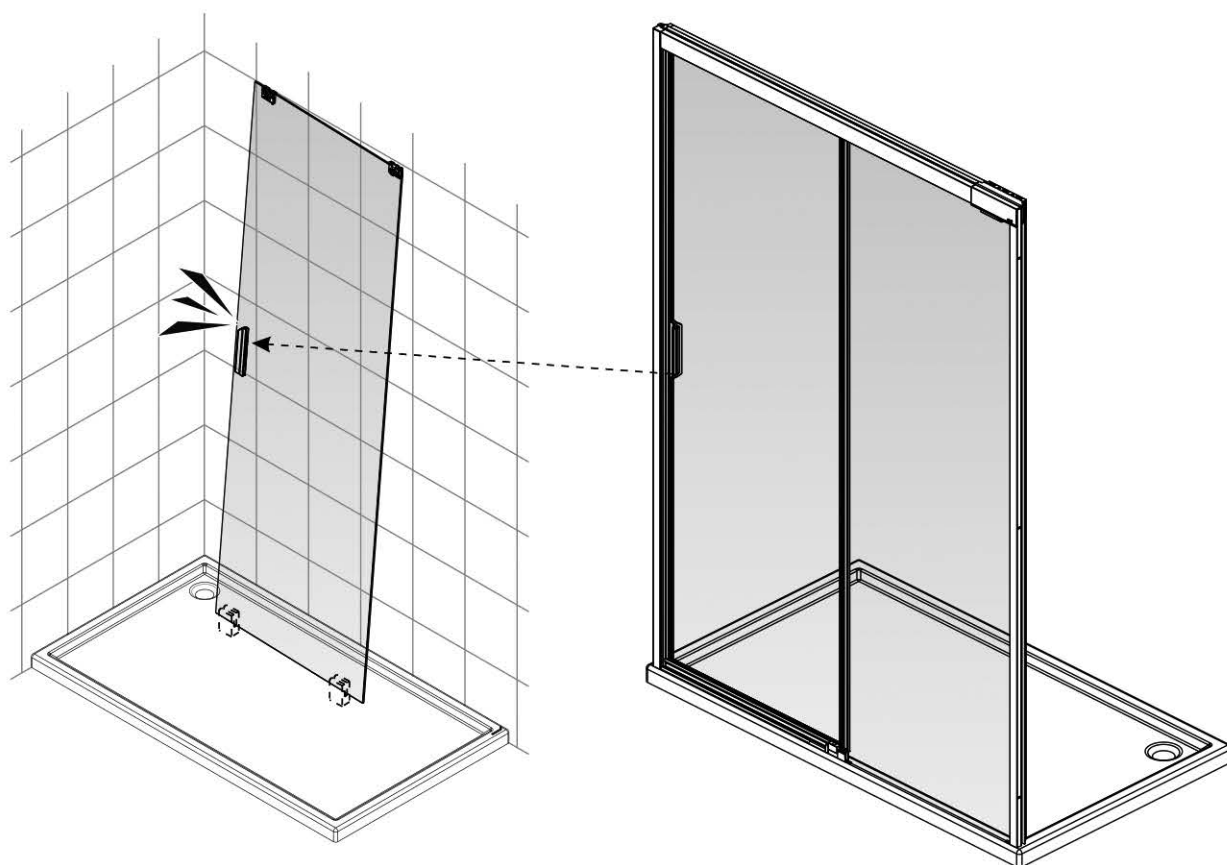
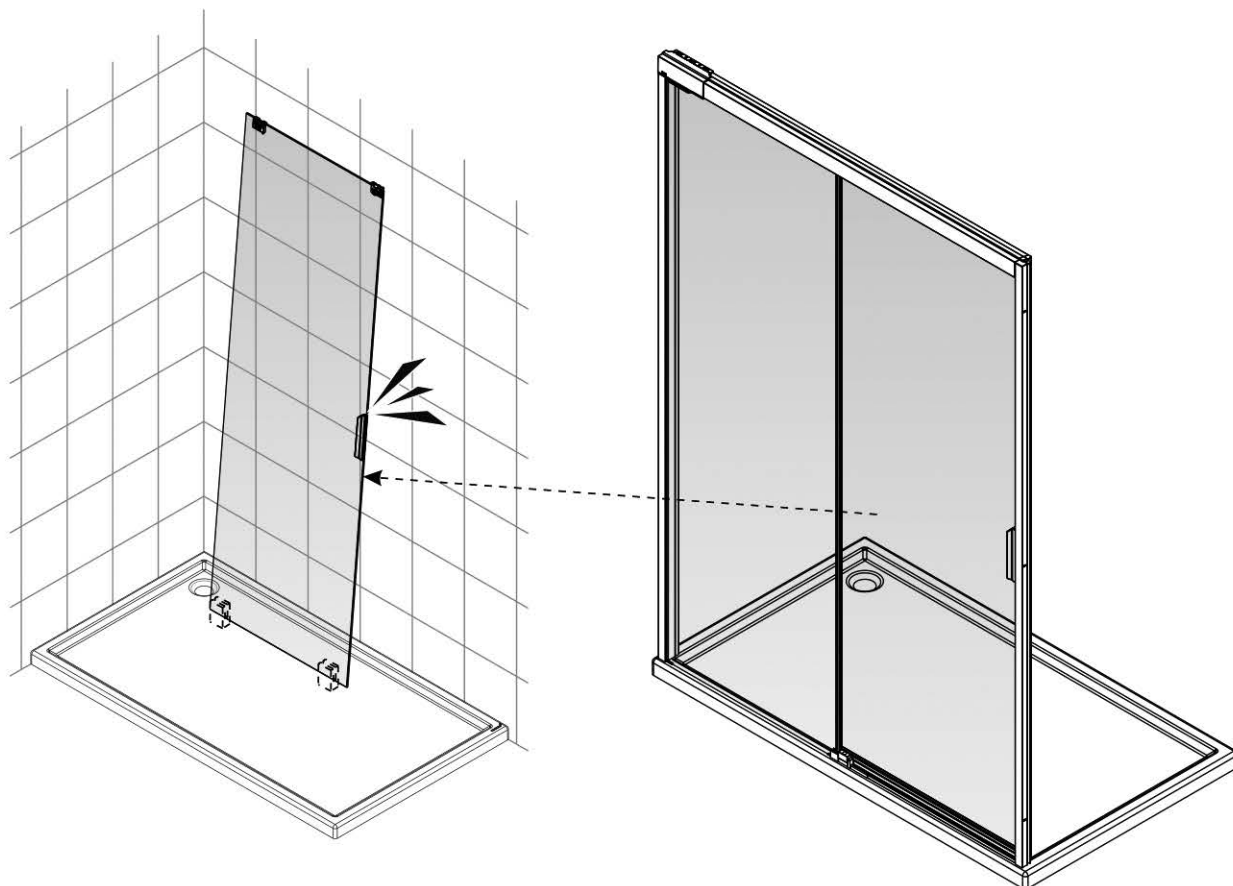
## MK305710

MK202410	x1	x1		
MK405580	x1			
MK202470	x2			
MK202550	x1	x1		
MK202420	x1	x1		
MK202430	x1	x1		
MK201940	x3	Ø6 x3		
MK202350	x1 MTS0019	x1 MTS0020	x1 MTS0021	x1 MTS0022

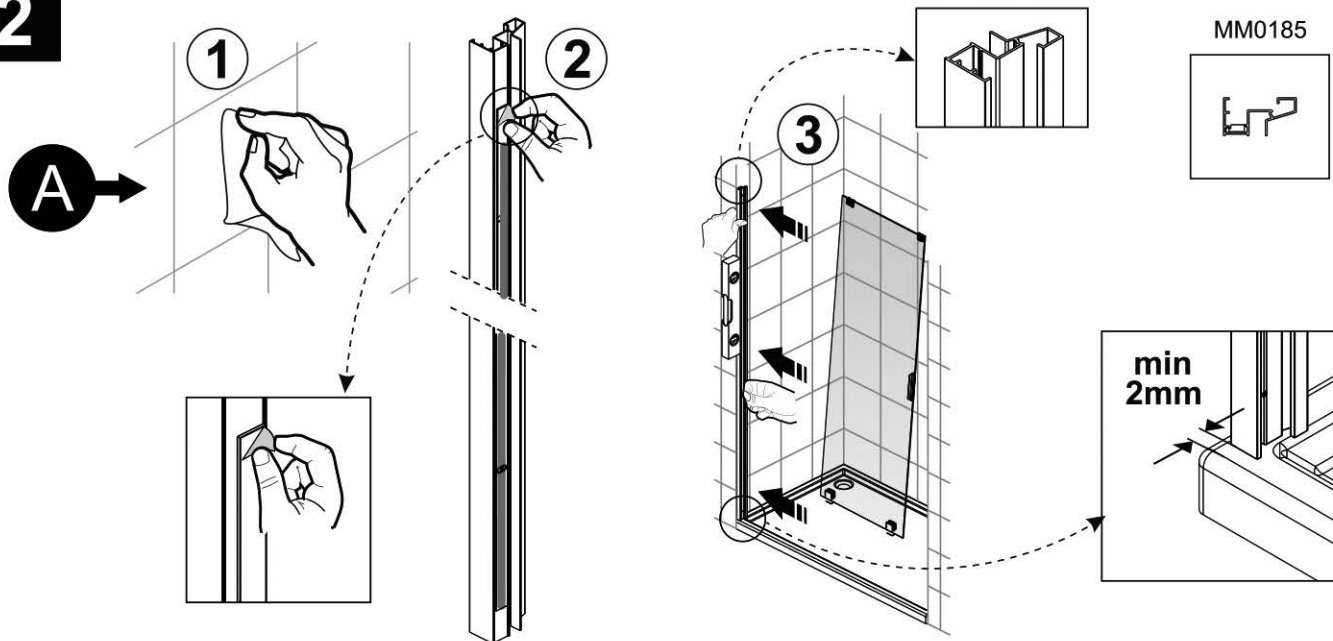
<b>MM01890</b> x1	<b>MM0185</b> x1	<b>MM01880</b> x1	<b>MM01900</b> x1	<b>MU0557</b> x1
<b>MM01910</b> x1	<b>MU0560</b> x1 MU0560020          x1 MU0560010		<b>MU0563010</b> x1	<b>MU0567</b> x1



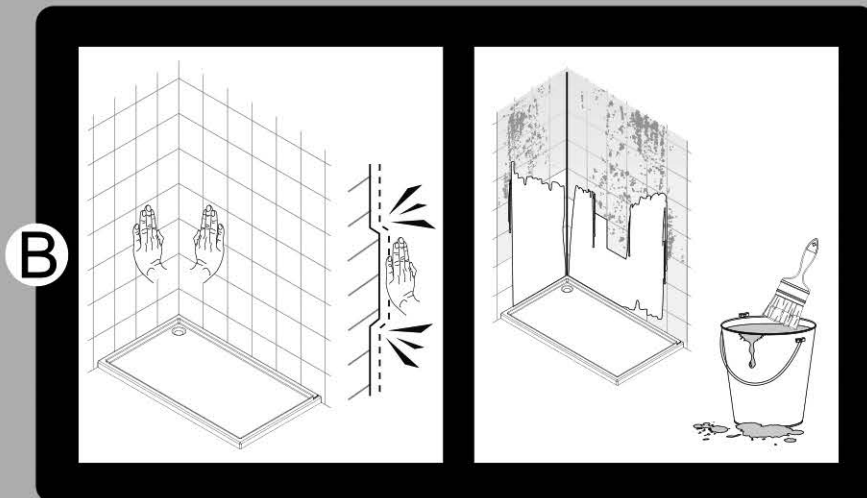
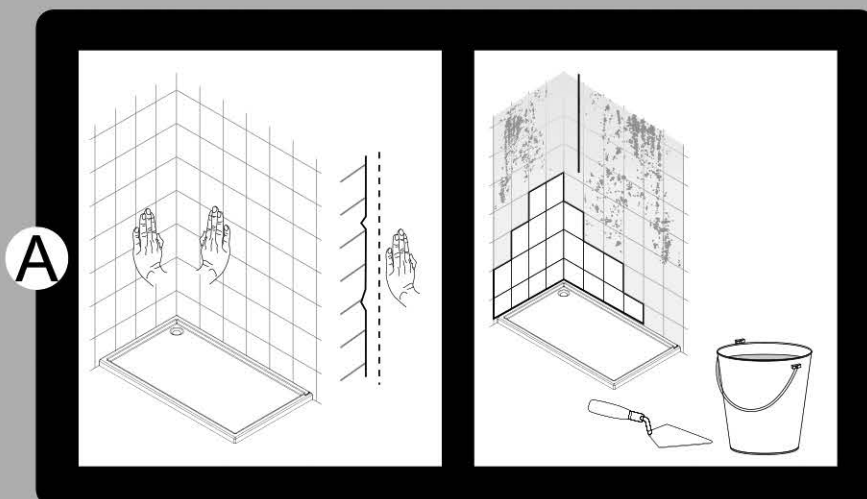
1



2



**!** A/B **!**



**B** →

\* OPCION/OPTION/OPZIONE/OPÇÃO

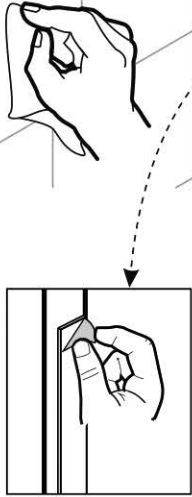


MK201940

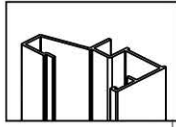
3

A →

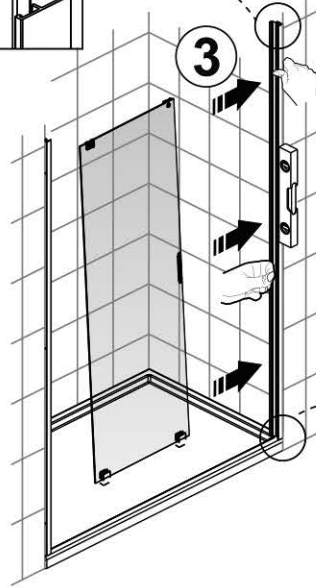
1



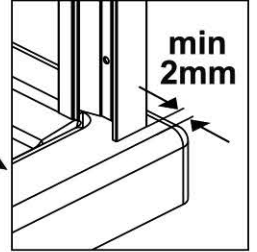
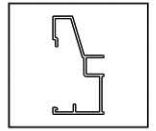
2



3



MM0188



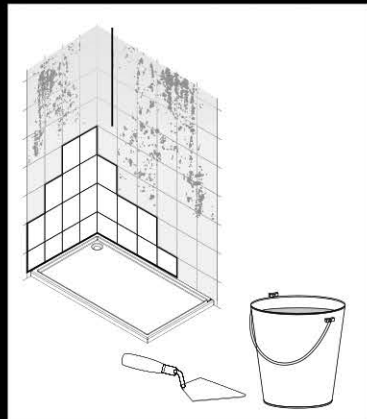
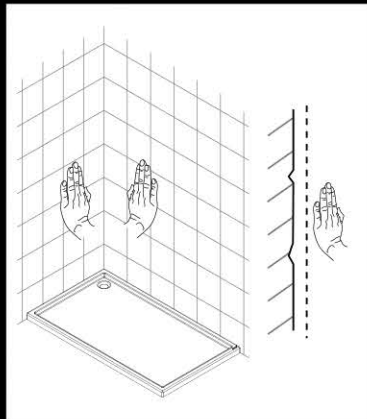
min 2mm



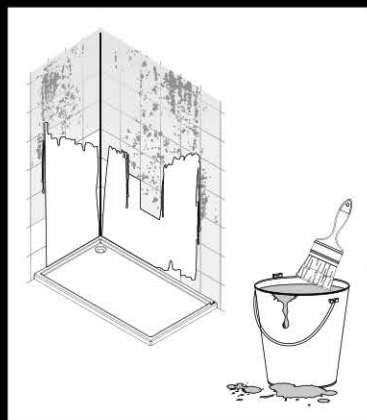
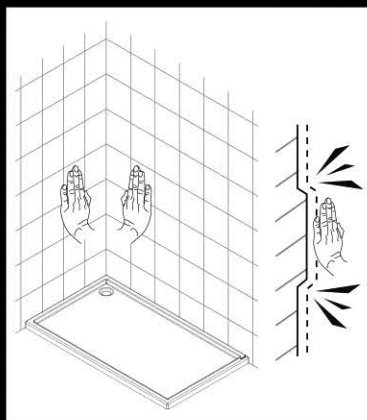
A/B



A



B



B →

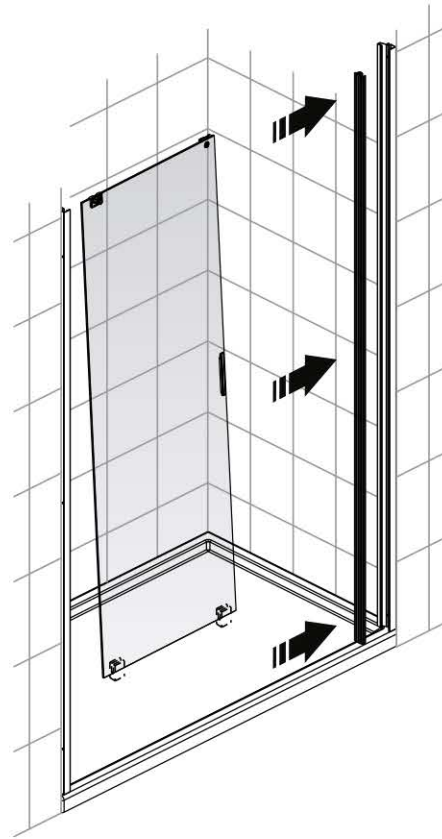
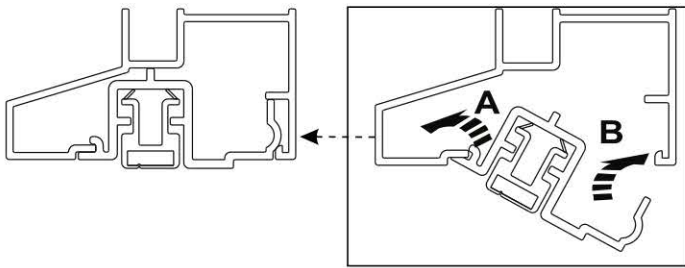
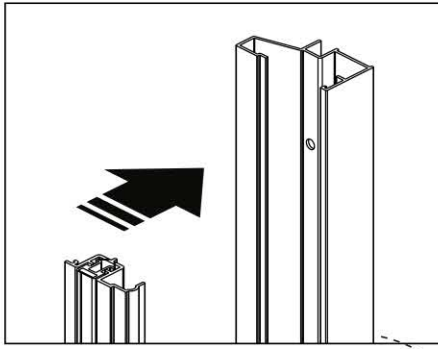
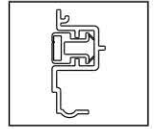
\* OPCION/OPTION/OPZIONE/OPÇÃO



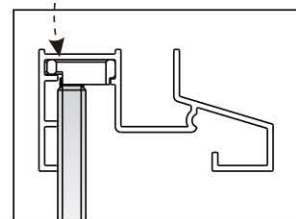
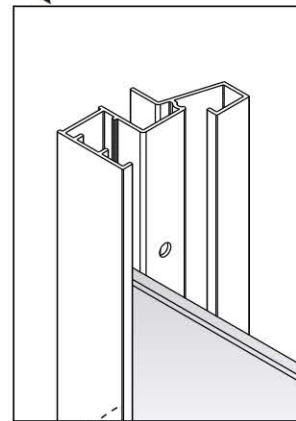
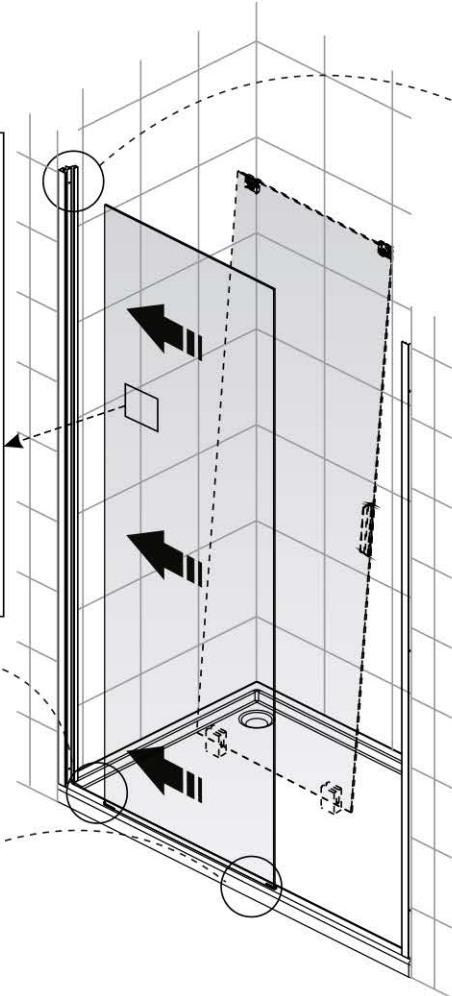
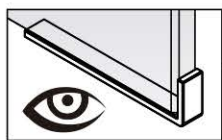
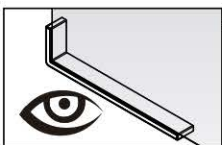
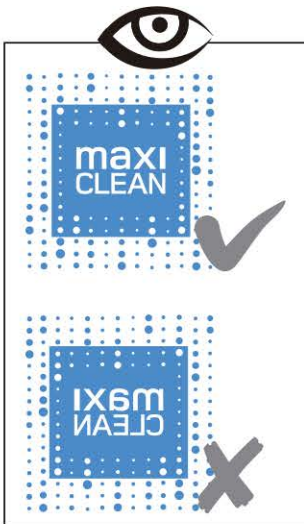
MK201940

4

MM01910

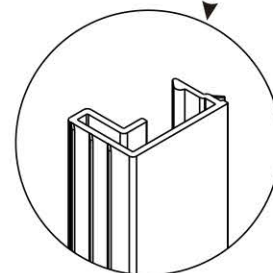
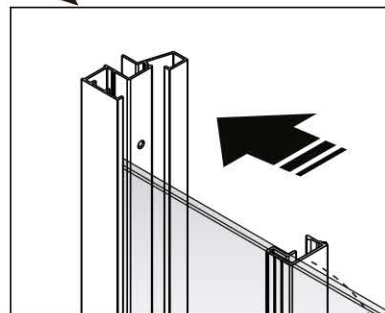
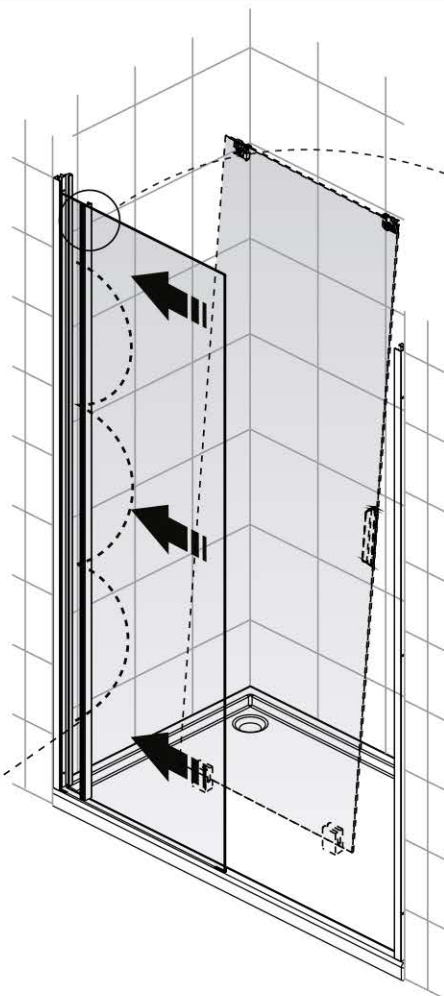
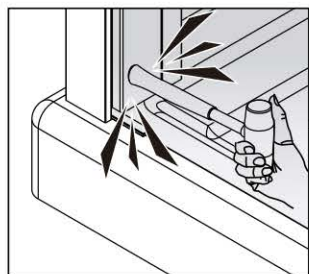


5



6

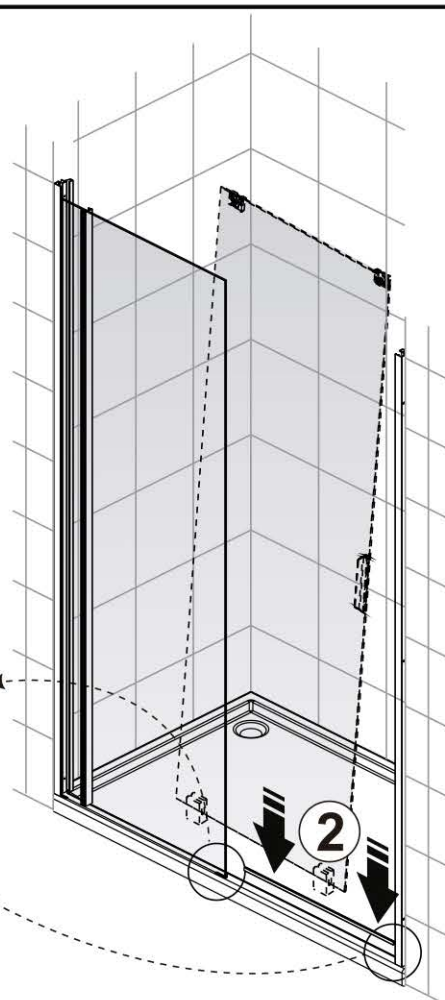
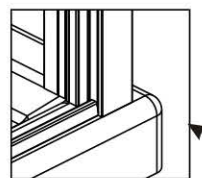
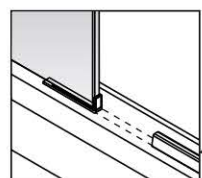
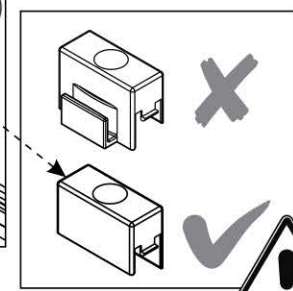
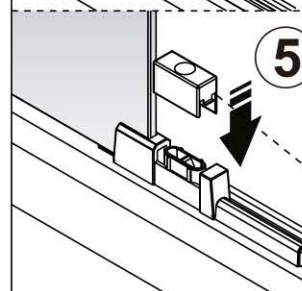
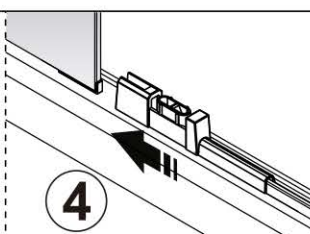
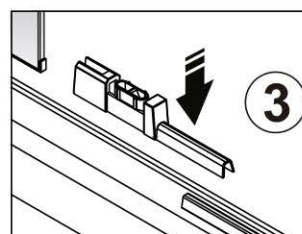
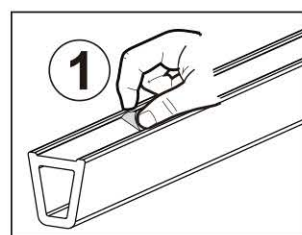
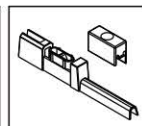
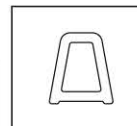
MU0557



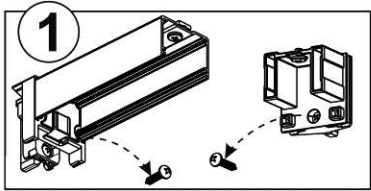
7

MM01900

MK202430



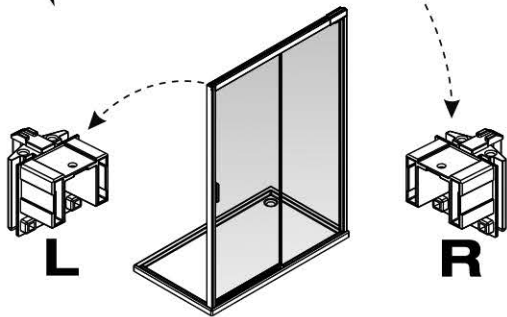
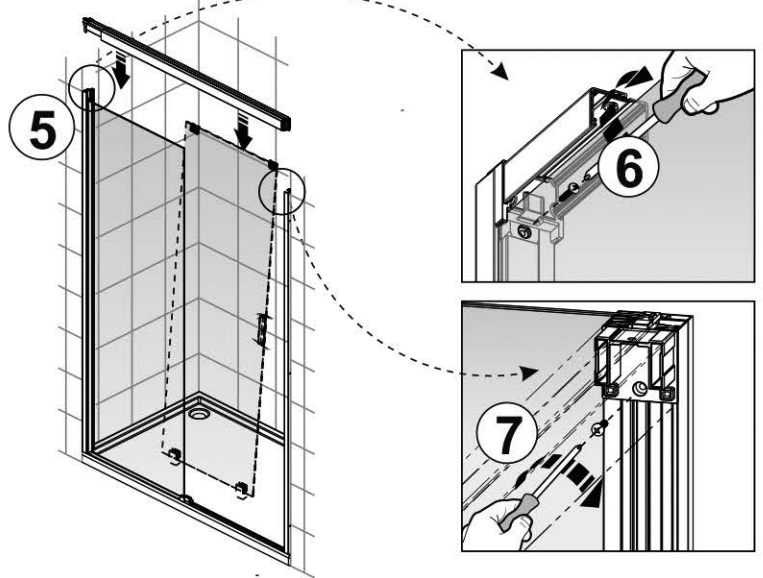
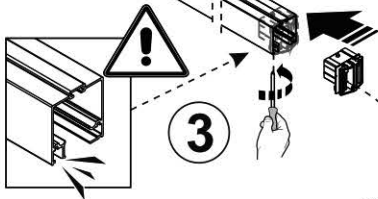
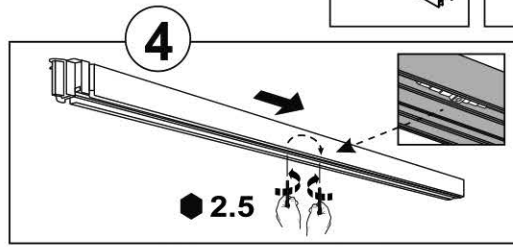
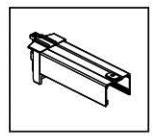
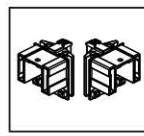
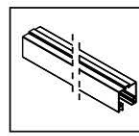
8



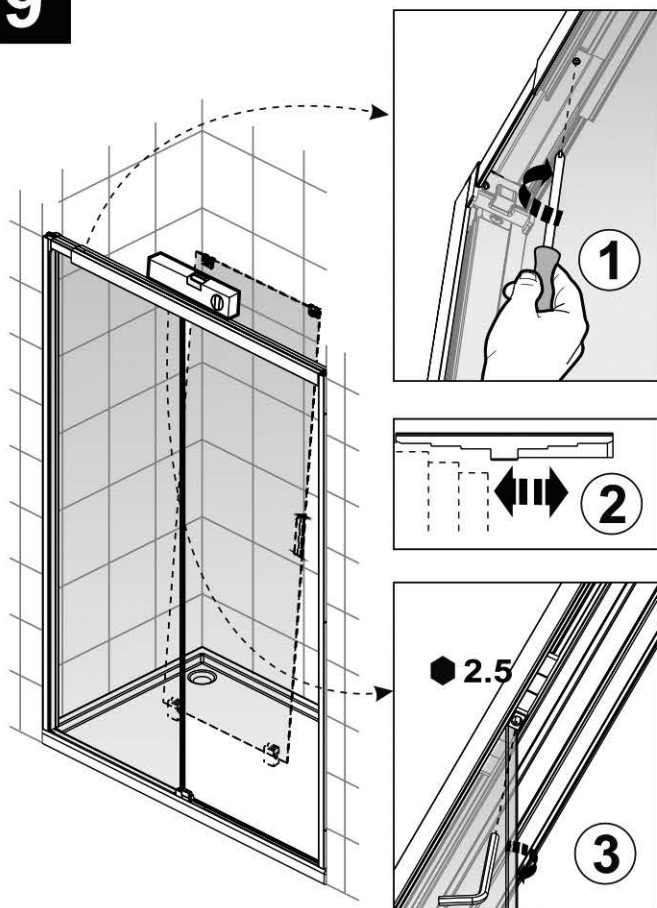
MM01890

MK202550

MK405580

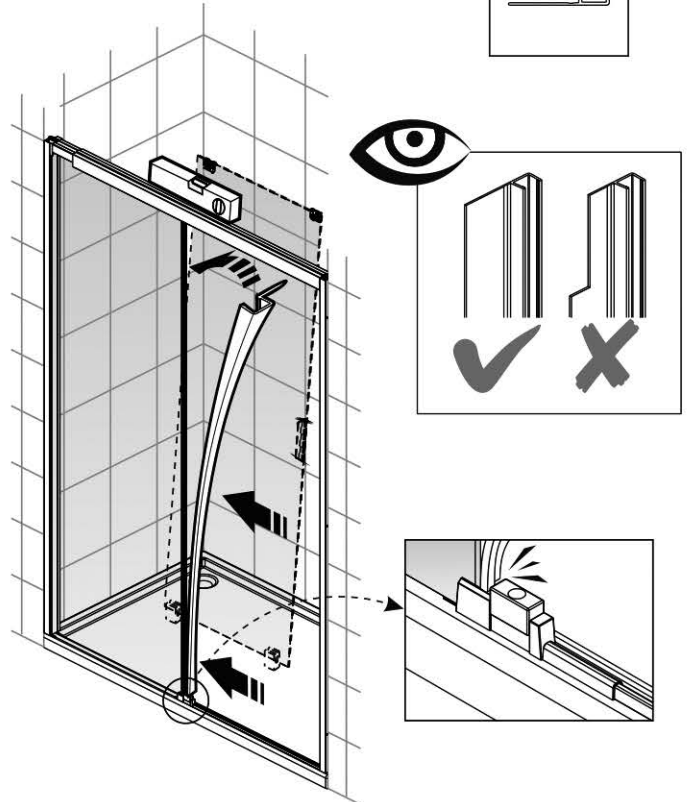
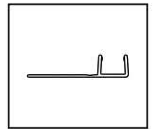


9



10

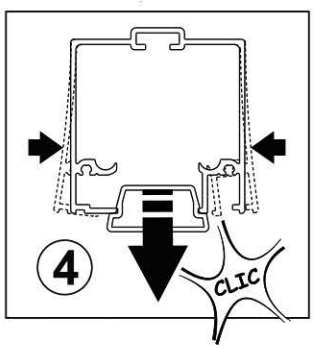
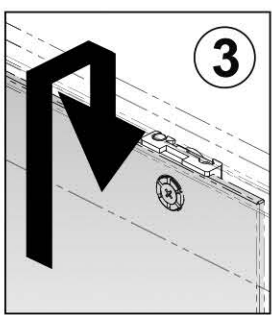
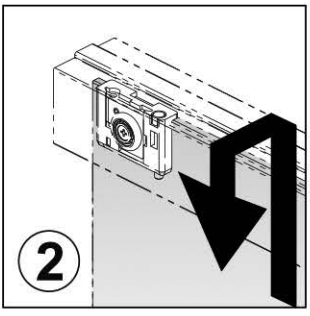
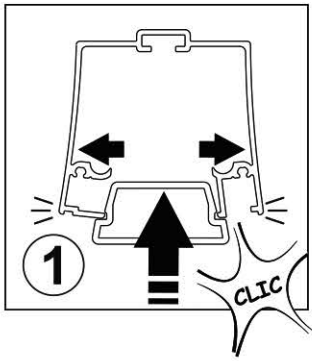
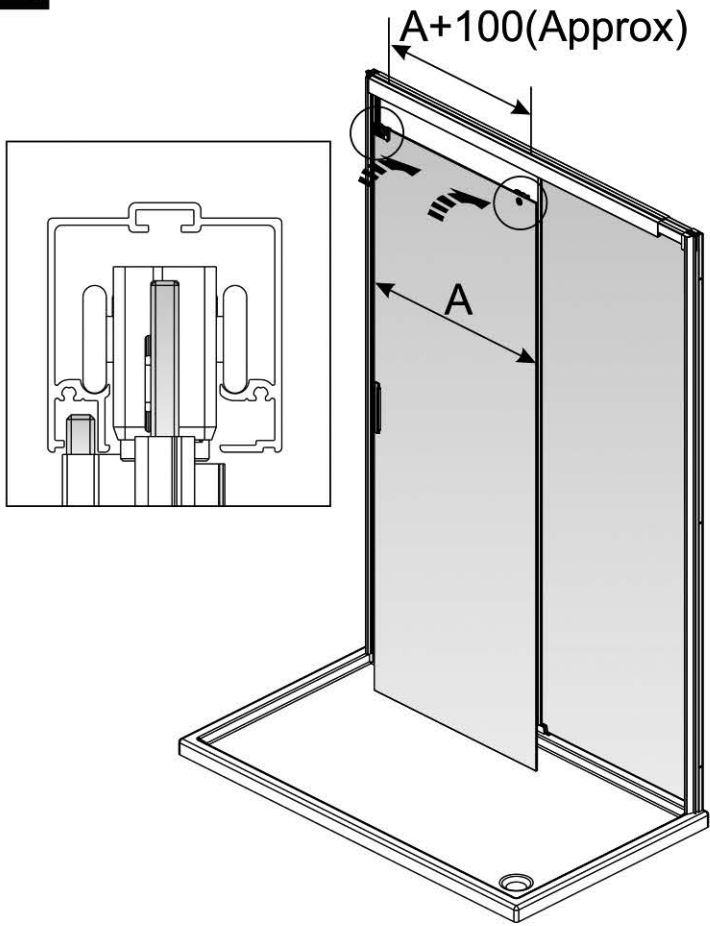
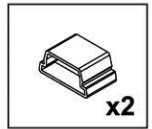
MU0560020





# 11

MK202470

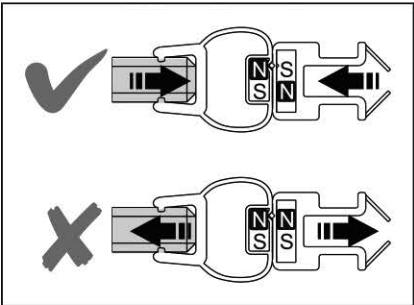
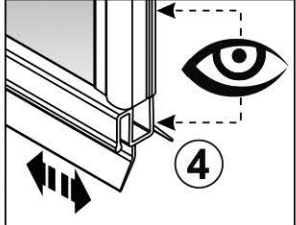
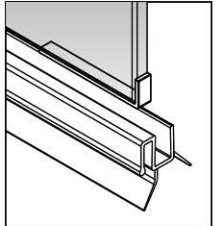
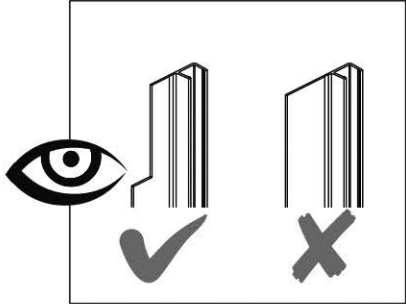
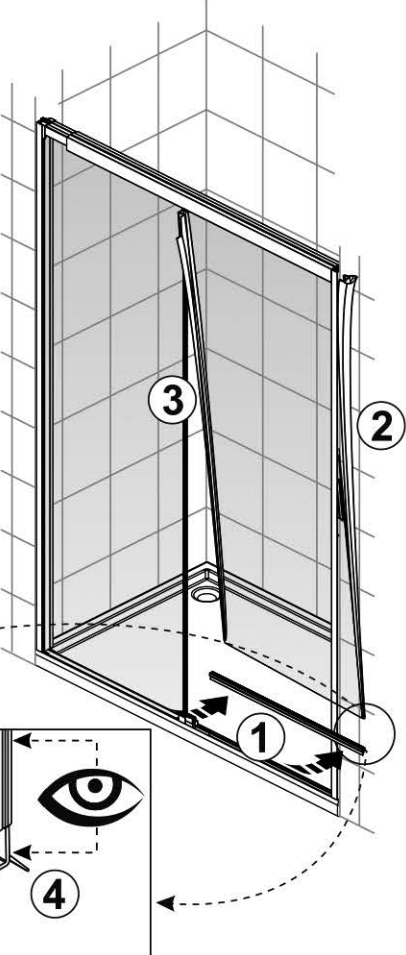
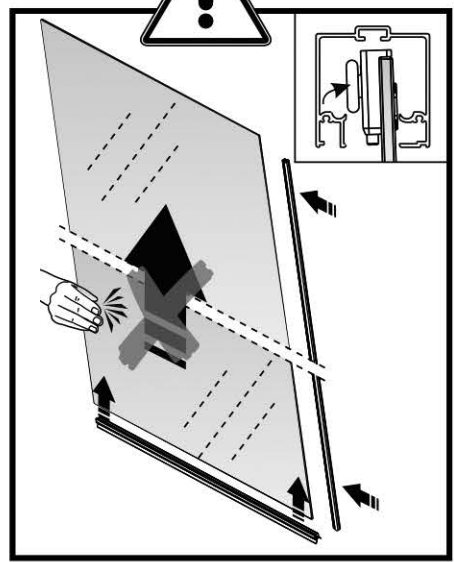
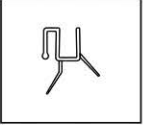
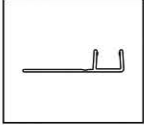


# 12

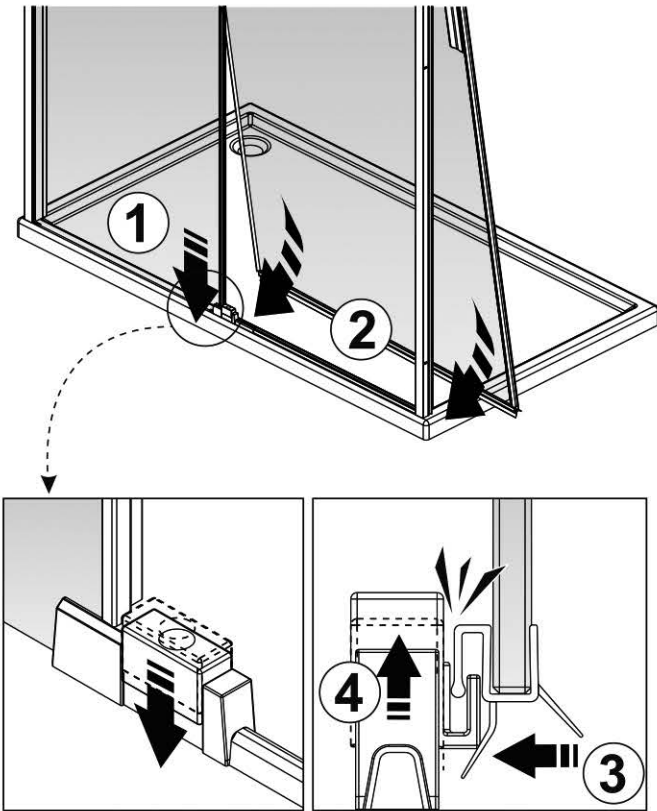
MU0560010

MU0563010

MU0567

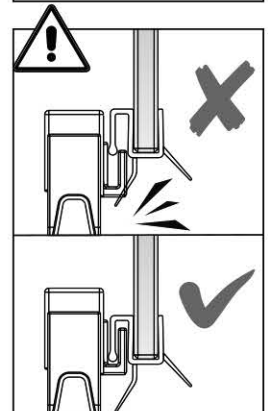
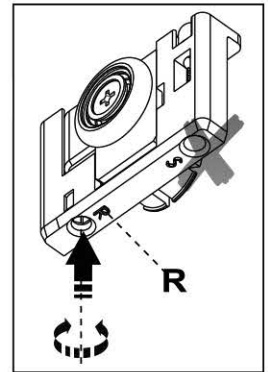
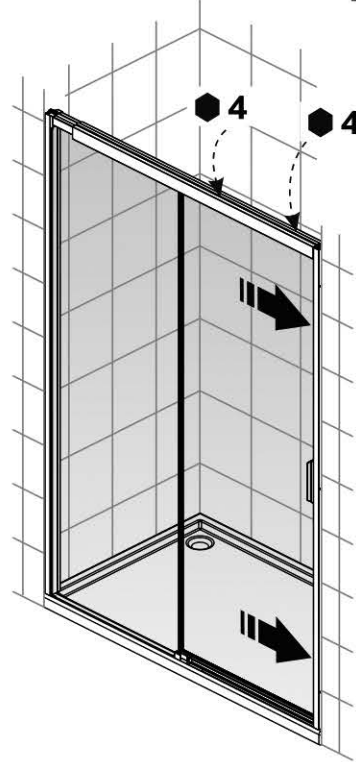
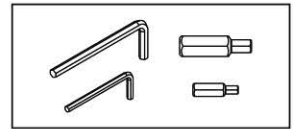


# 13



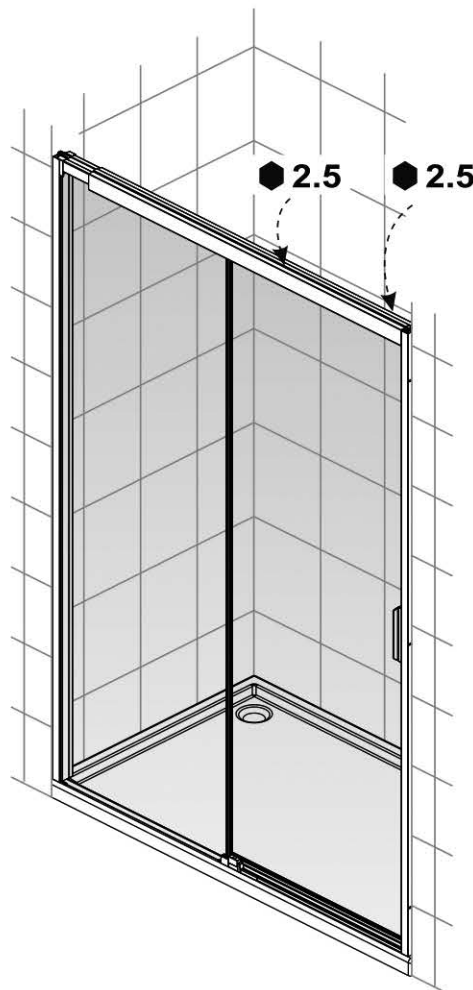
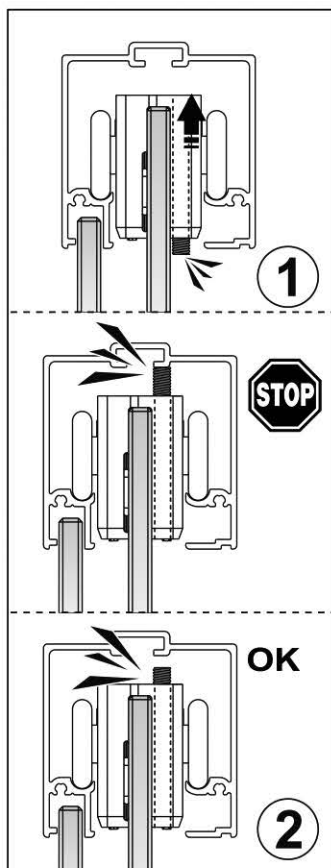
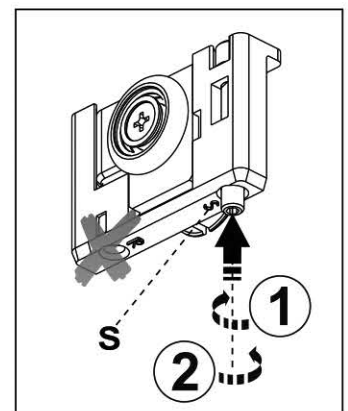
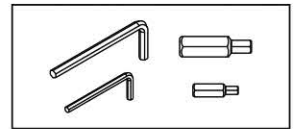
# 14

MK20235



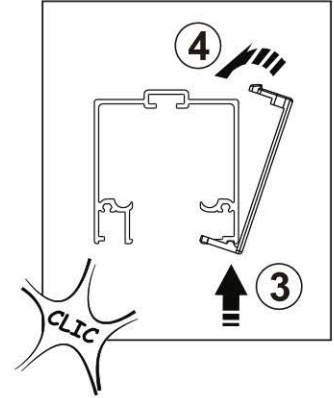
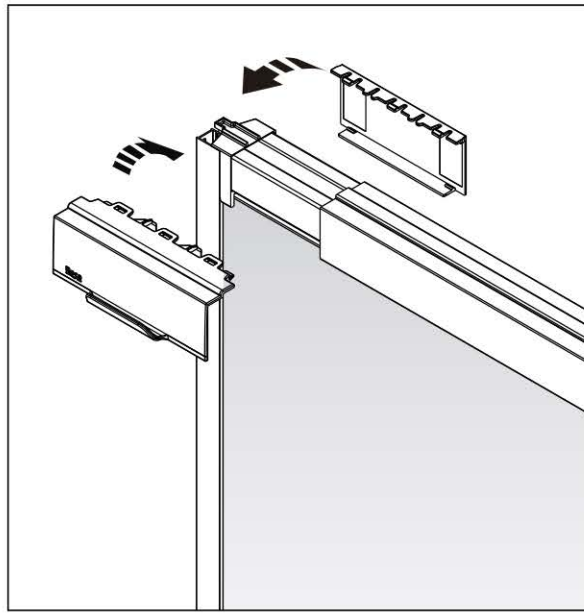
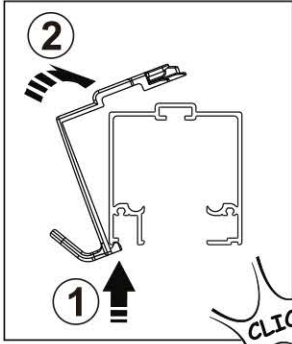
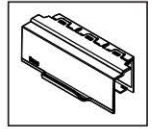
# 15

MK20235



16

MK202410

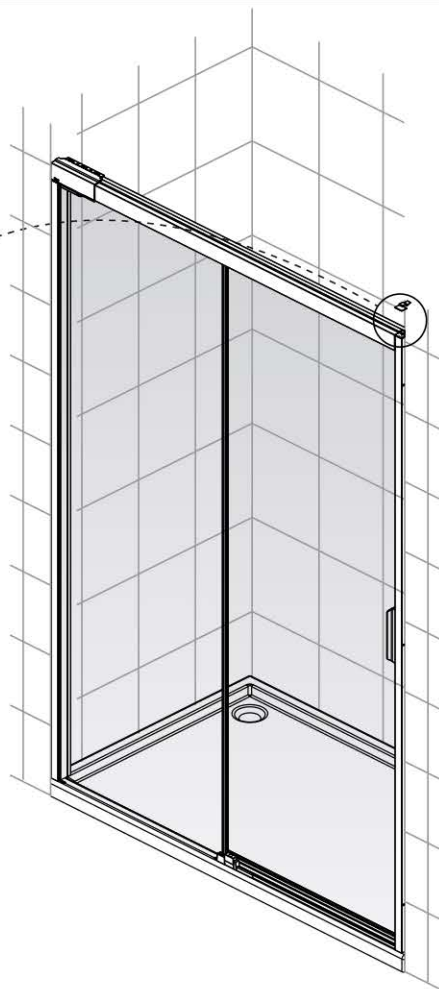
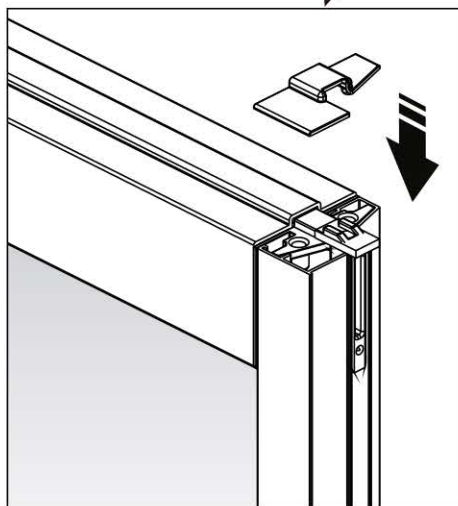


17

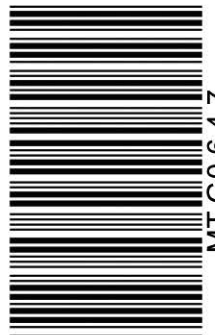
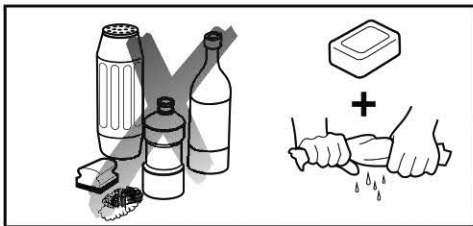
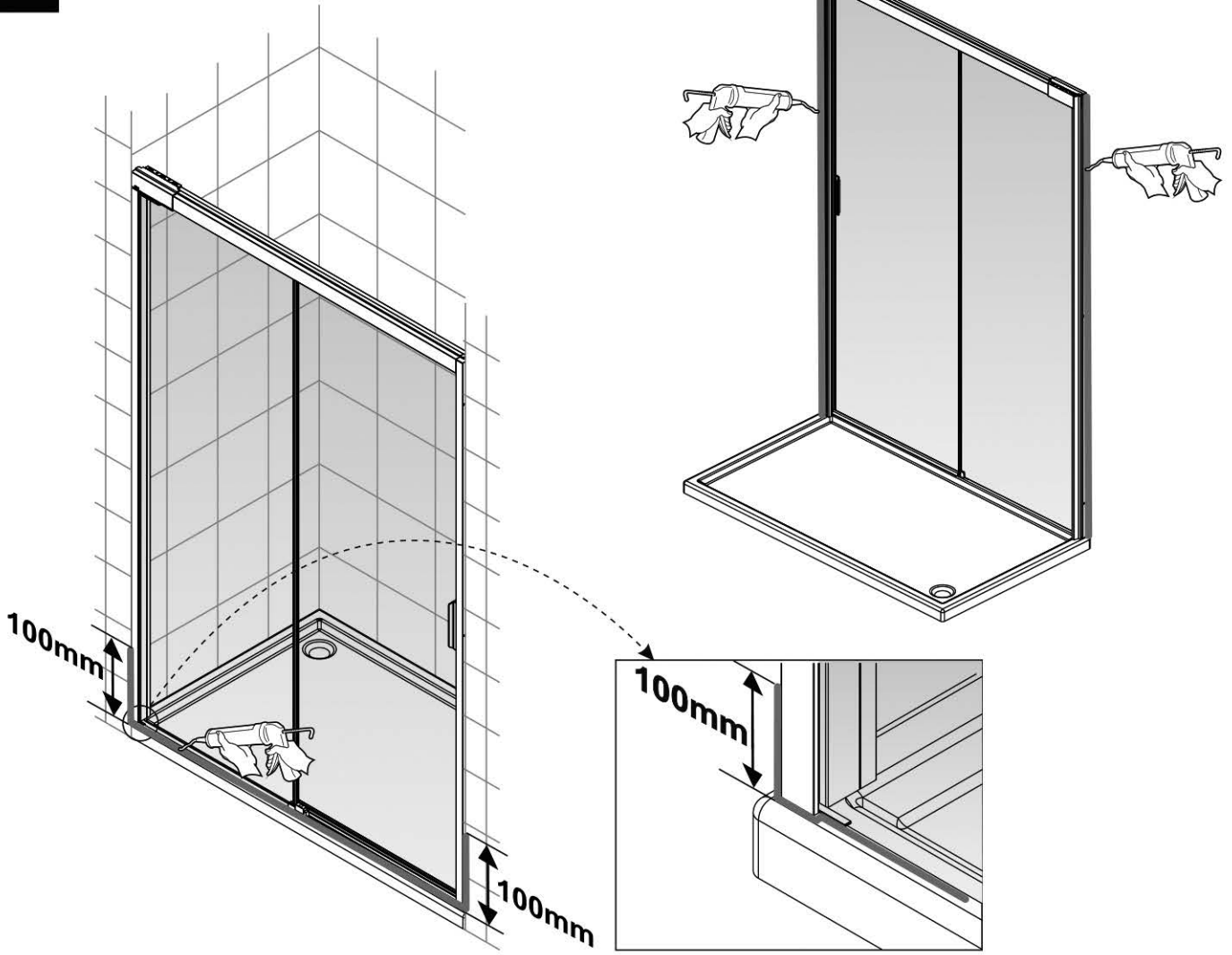
MK202420



MTP0425



18



V5

MT G0 6 4 7

Roca Sanitario, S.A.

Avda. Diagonal, 513  
 08029 Barcelona - SPAIN  
 Teléfono 93 366 1200  
 Fax 93 419 4501  
 www.roca.es

**Roca**

**902  
304  
848**   
 LÍNEA DE  
 ATENCIÓN AL  
 CONSUMIDOR  
 ESPAÑA