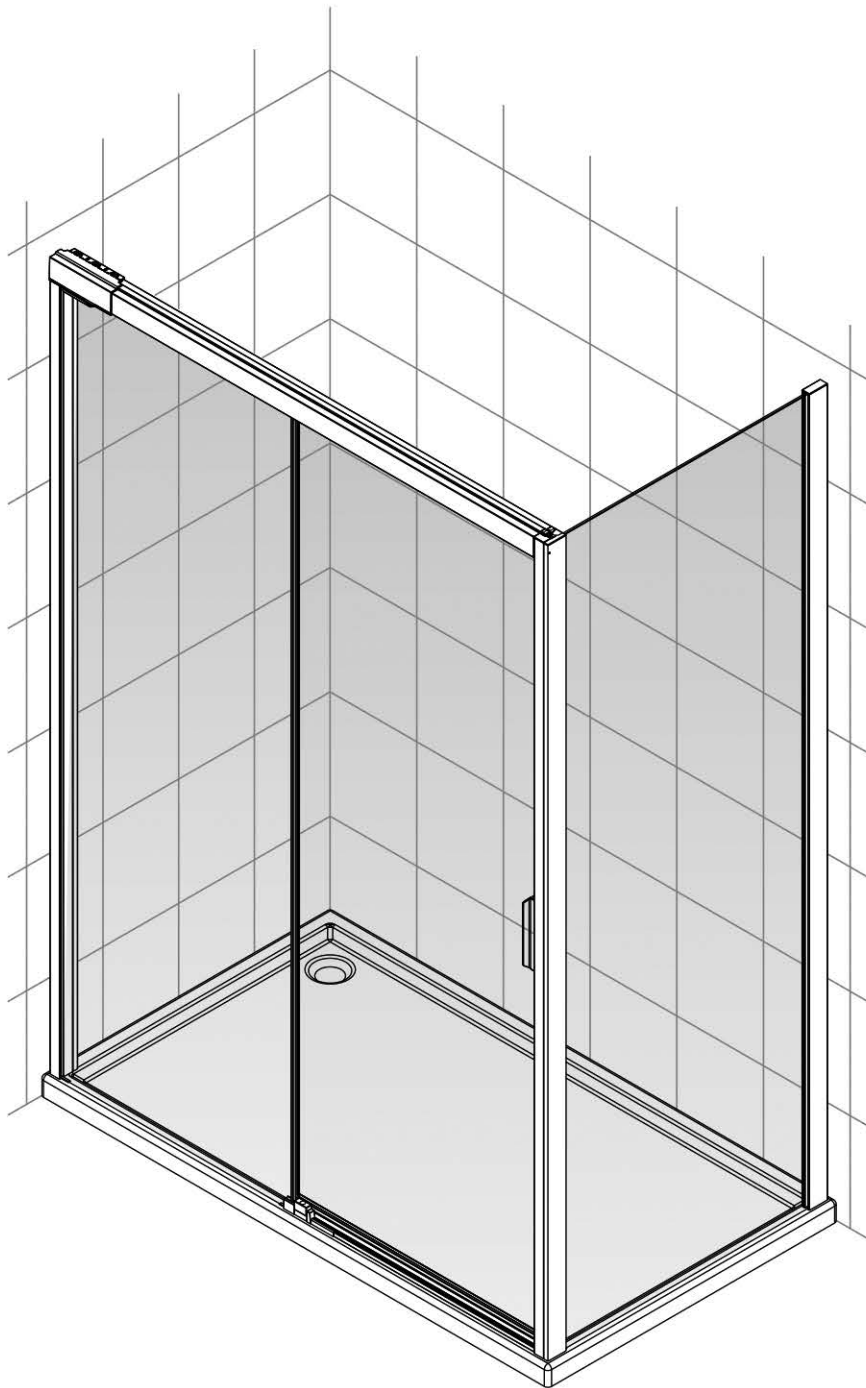
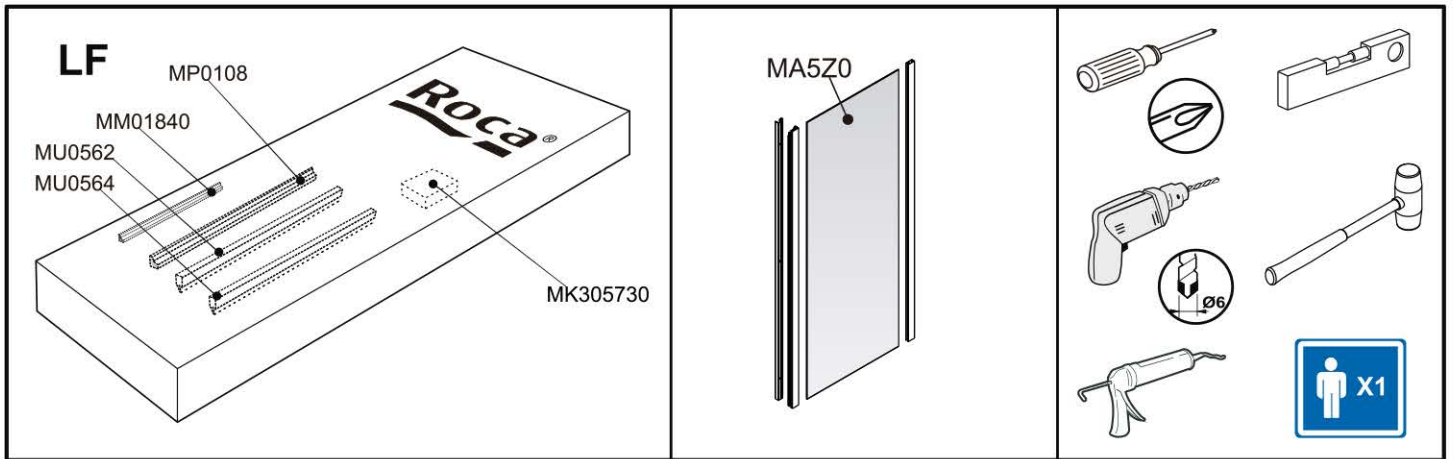




**Roca**

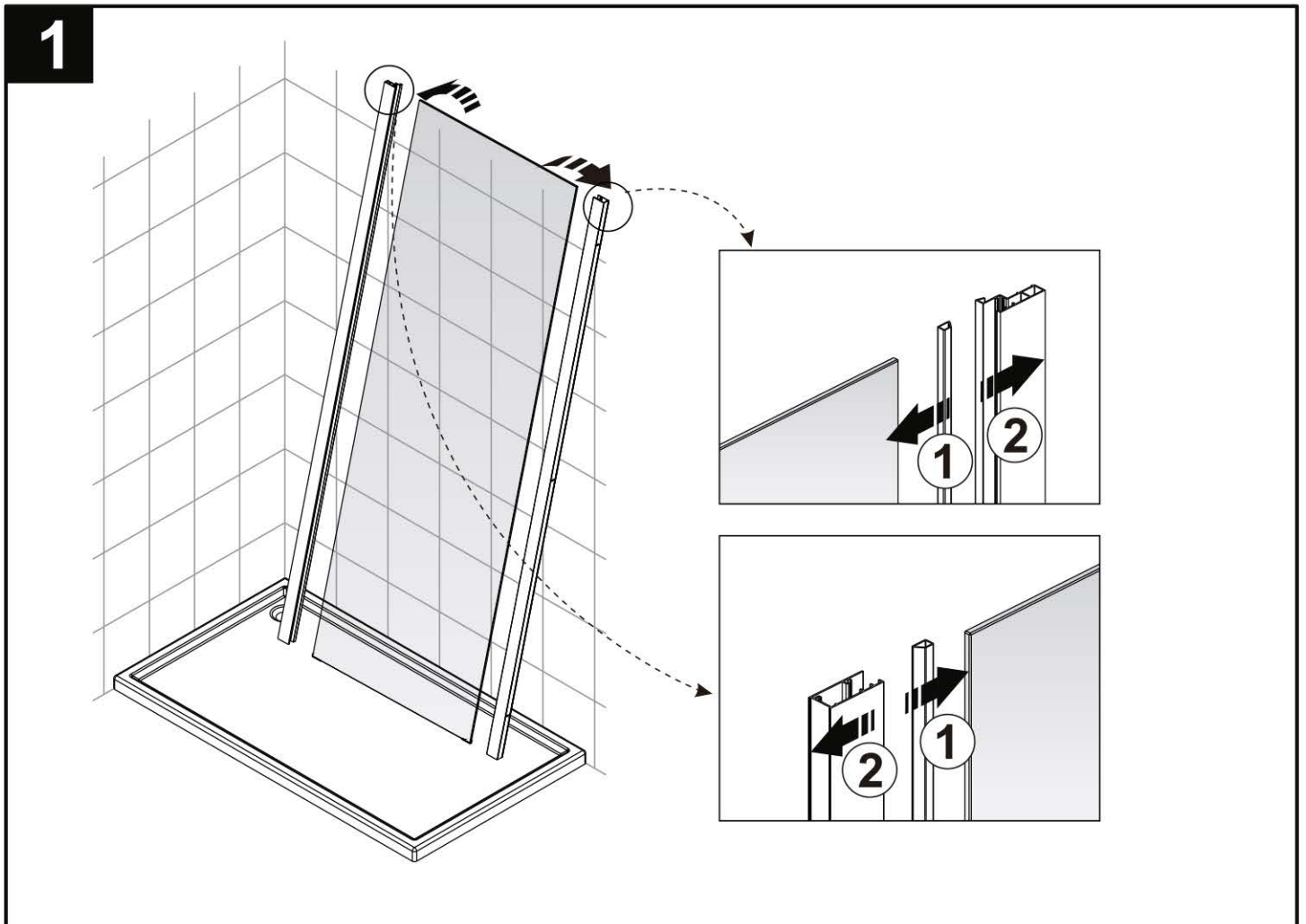
**L2-E+LF**



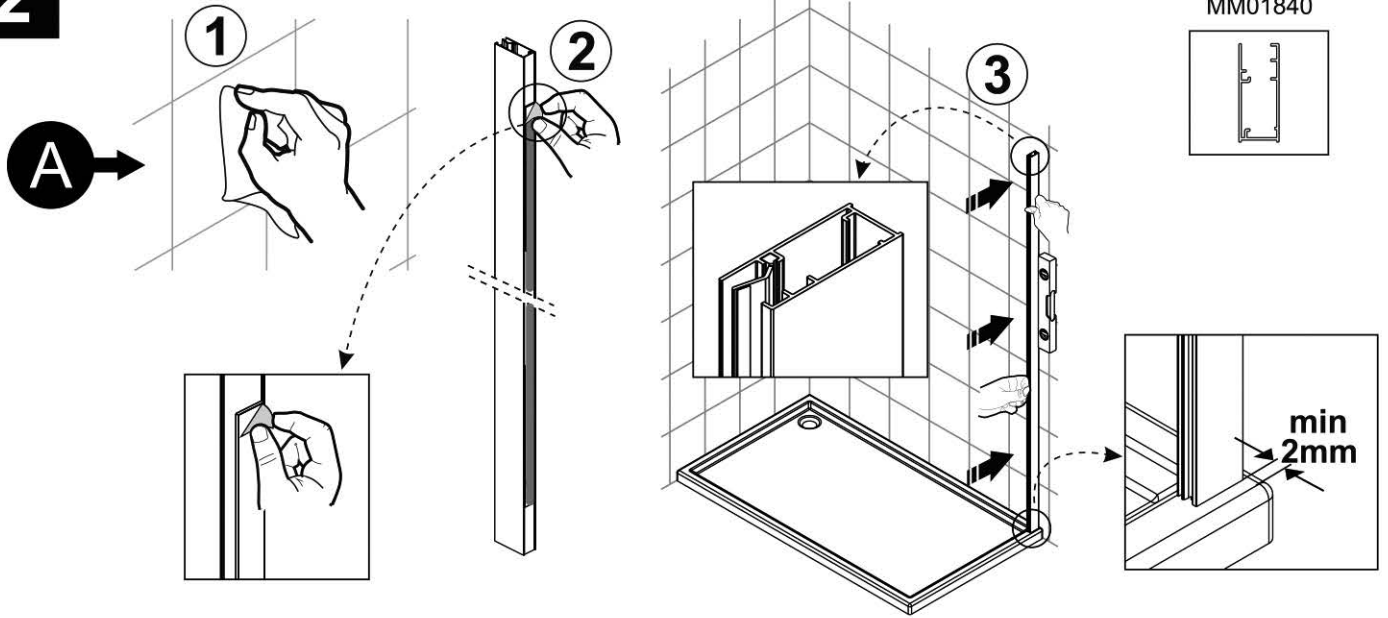


<b>MK305730</b>			
<b>MK201940</b>	x 3	Ø6	x 3
<b>MK202400</b>	x 1	x 1	x 1
<b>MK202460</b>	x 3		

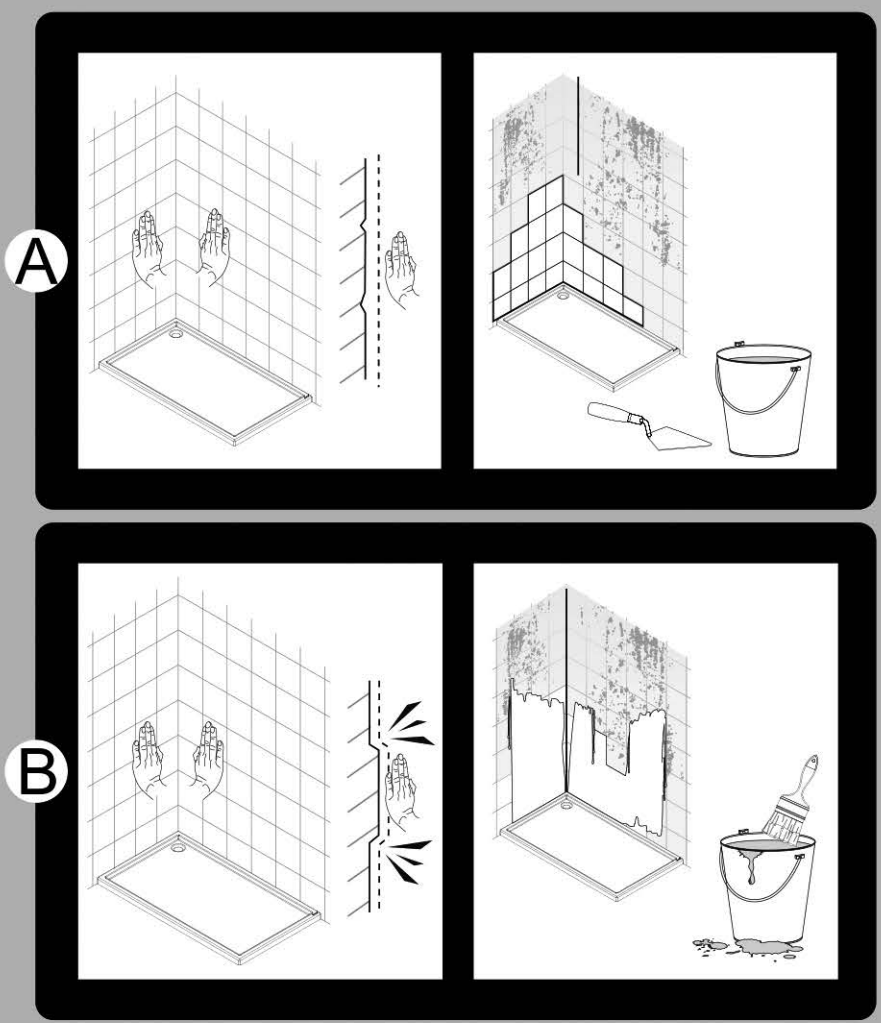
<b>MM01840</b>	<b>MP0108</b>	<b>MU0562</b>	<b>MU0564</b>
 <b>x1</b> MP0109	 <b>x1</b>	 <b>x2</b>	 <b>x2</b>



2



! A/B !



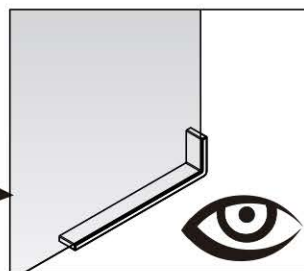
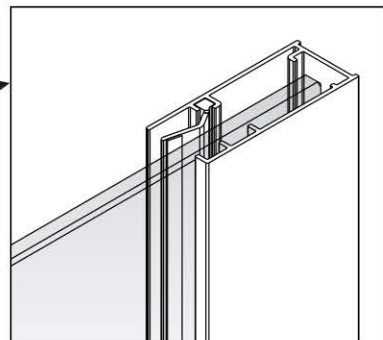
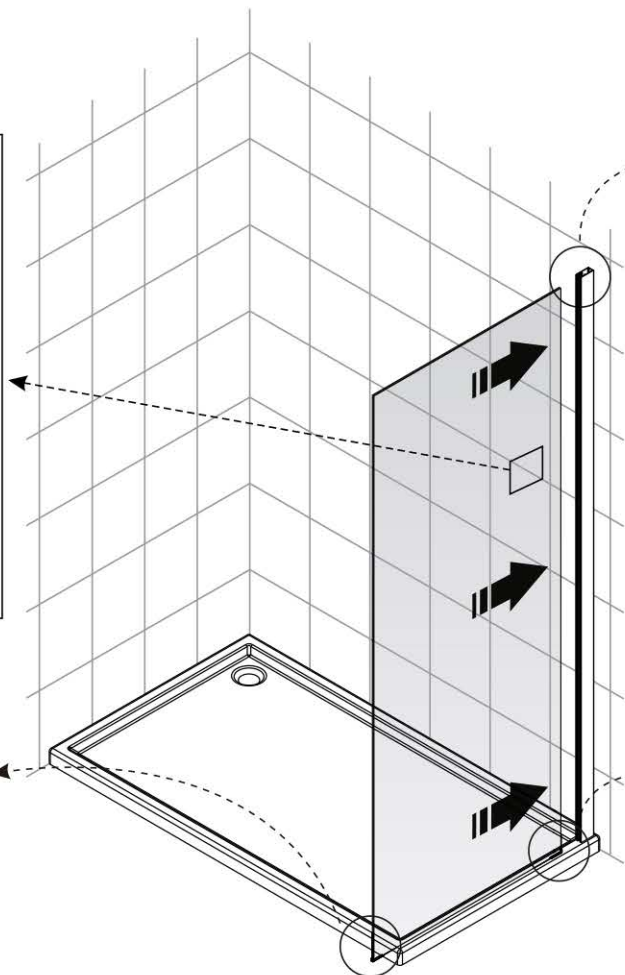
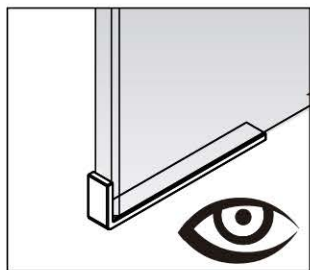
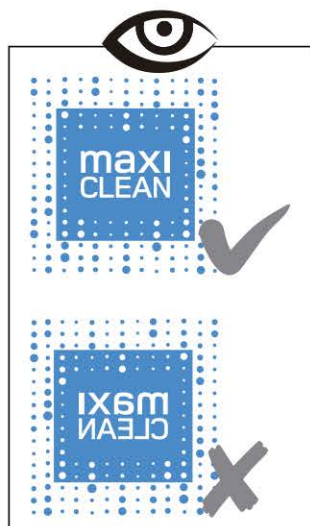
B →

\* OPCION/OPTION/OPZIONE/OPÇÃO

 x 3     
  Ø6 x 3     
  Ø6

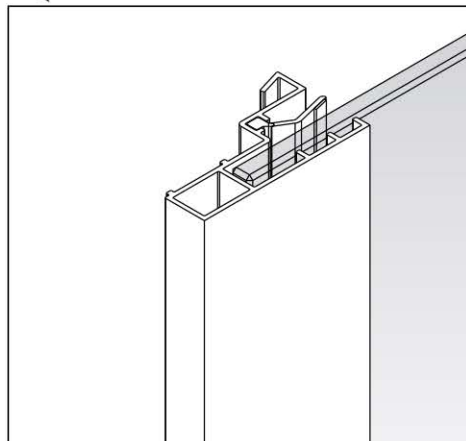
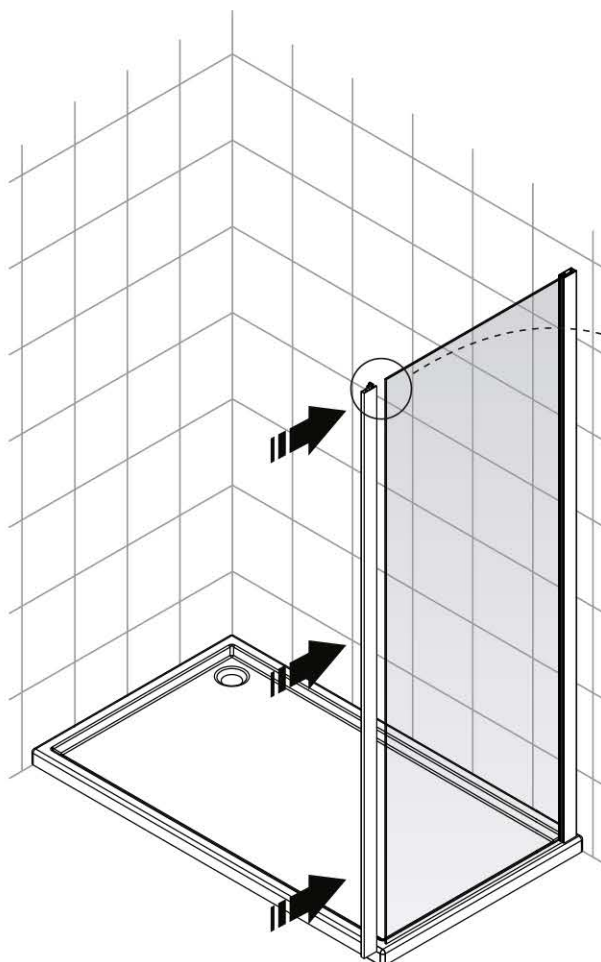
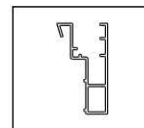
MK201940

3

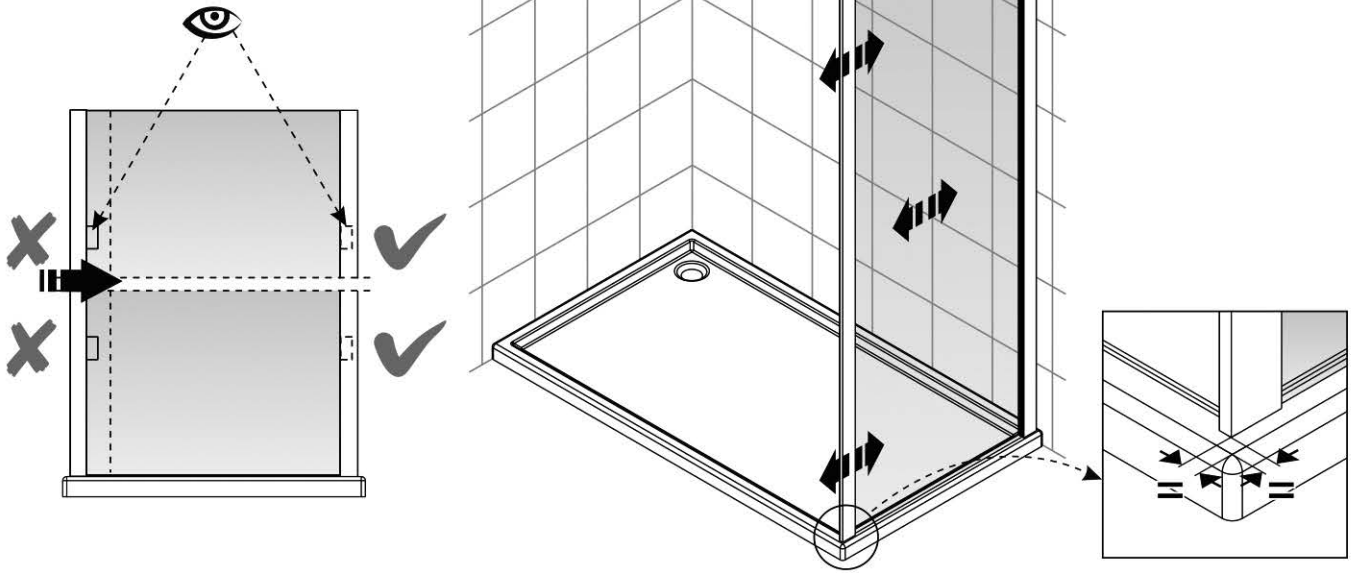


4

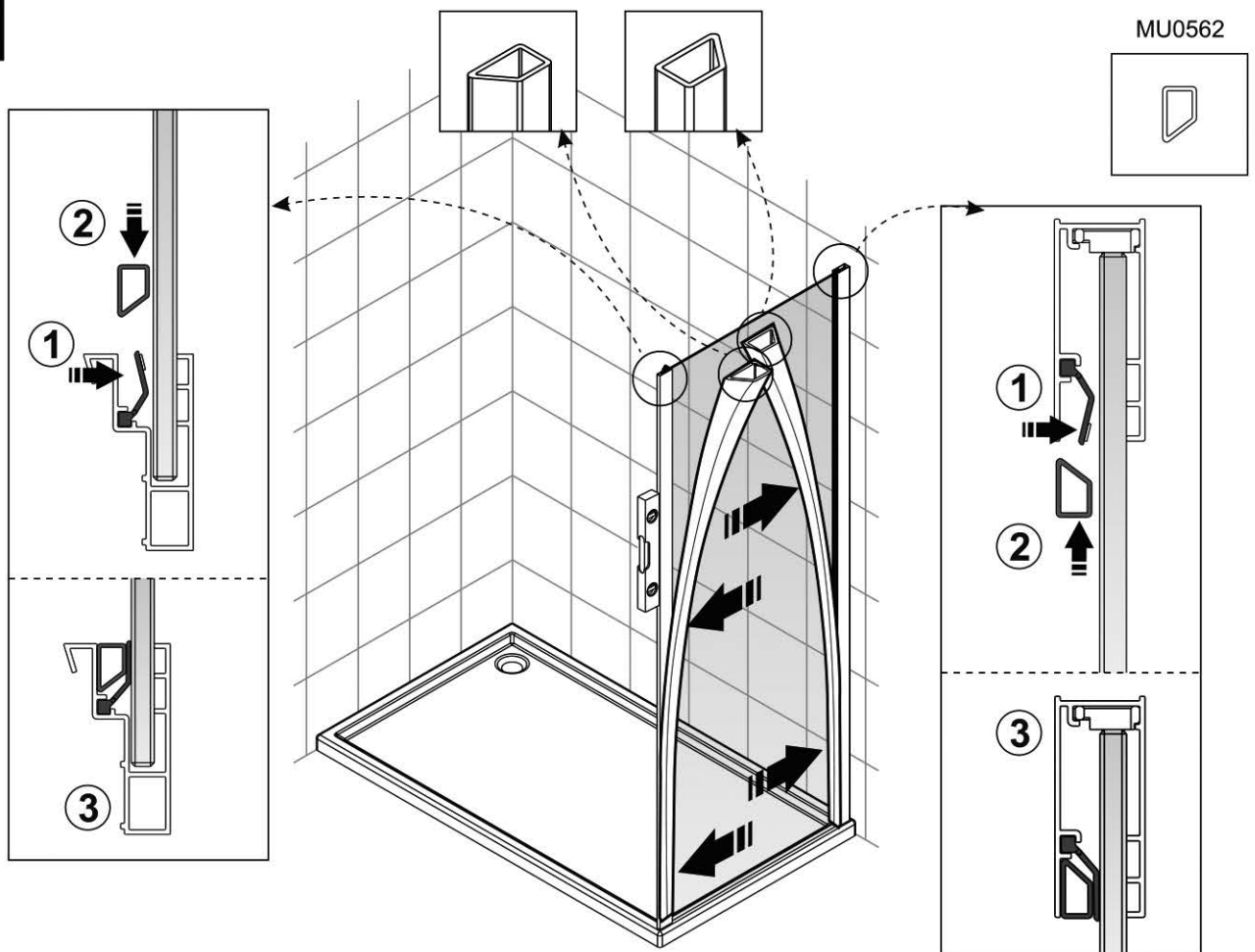
MP0108



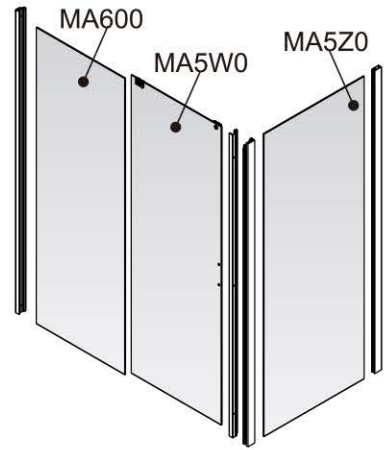
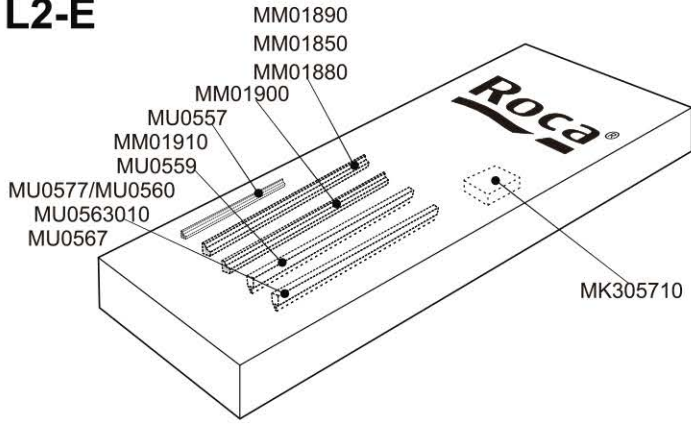
5



6



# L2-E

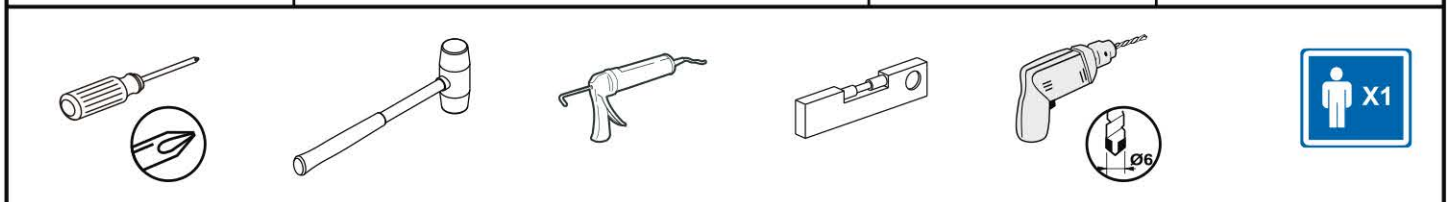


## MK305710

MK202410	x1	x1		
MK405580	x1			
MK202470	x2			
MK202550	x1	x1		
MK202420	x1	x1		
MK202430	x1	x1		
MK201940	x6	Ø6 x6		
MK202350	x1 MTS0019	x1 MTS0020	x1 MTS0021	x1 MTS0022

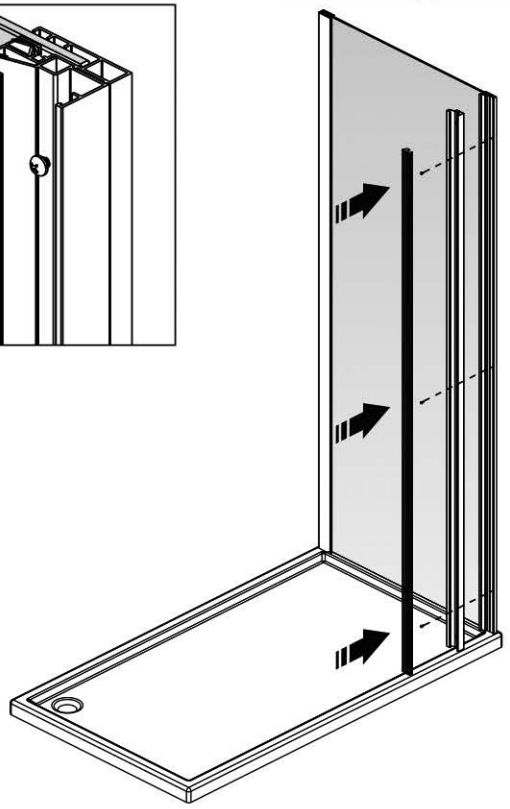
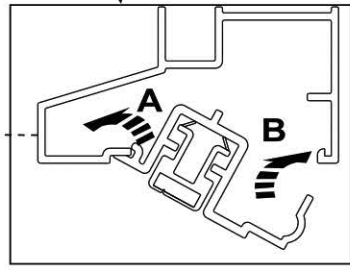
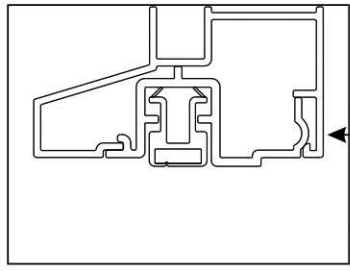
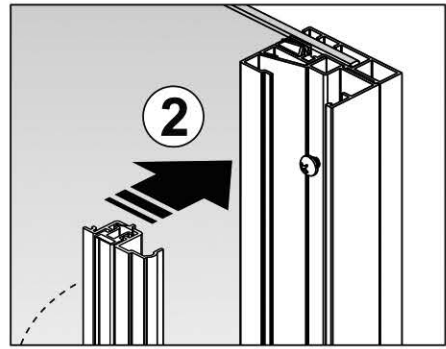
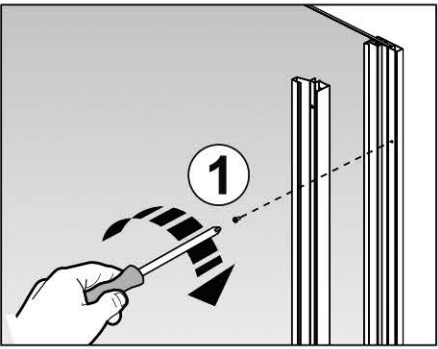
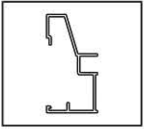
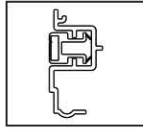
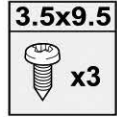
<b>MM01890</b> x1	<b>MM01850</b> x1	<b>MM01880</b> x1	<b>MM01900</b> x1	<b>MU0557</b> x1
----------------------	----------------------	----------------------	----------------------	---------------------

<b>MM01910</b> x1	<b>MU0560</b> x1 MU0560020          x1 MU0560010		<b>MU0563010</b> x1	<b>MU0567</b> x1
----------------------	---	--	------------------------	---------------------

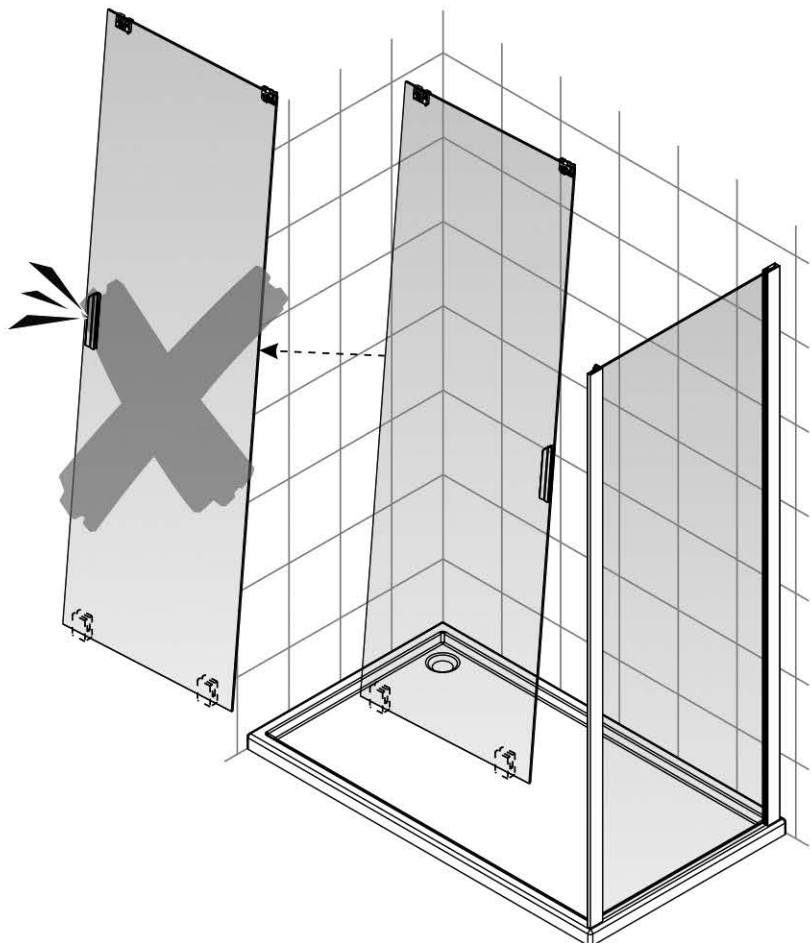


7

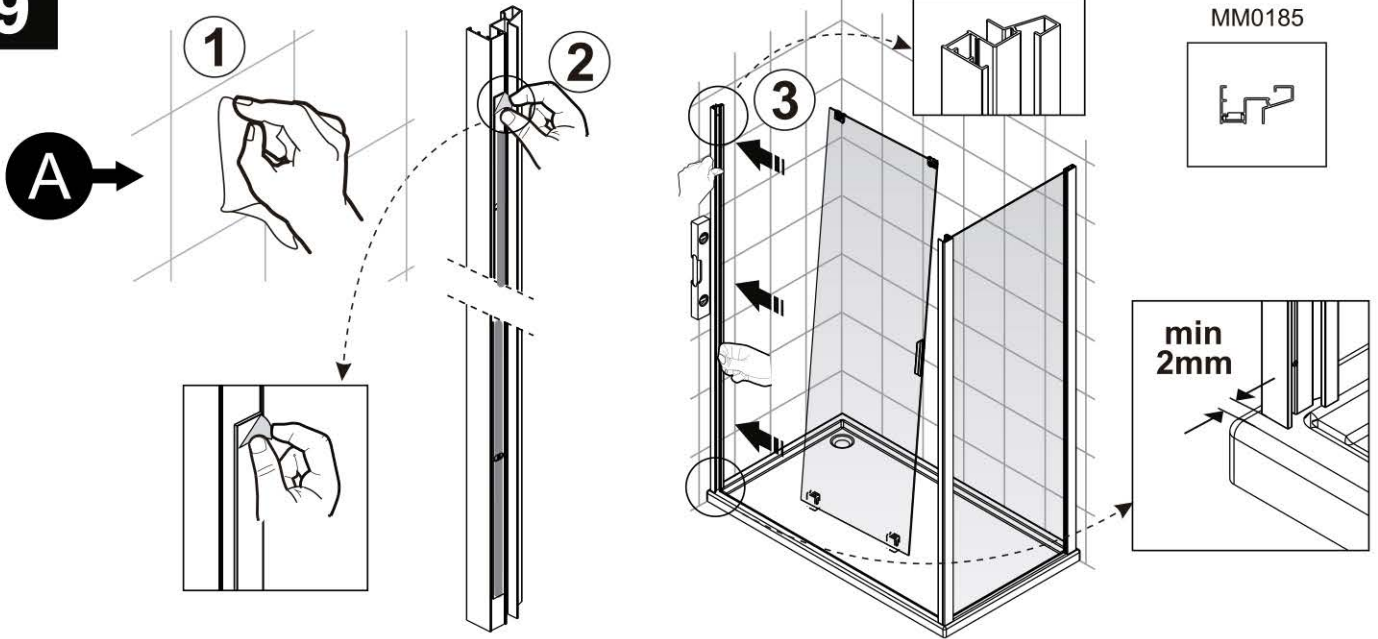
MK2024600 MM01910 MM01880



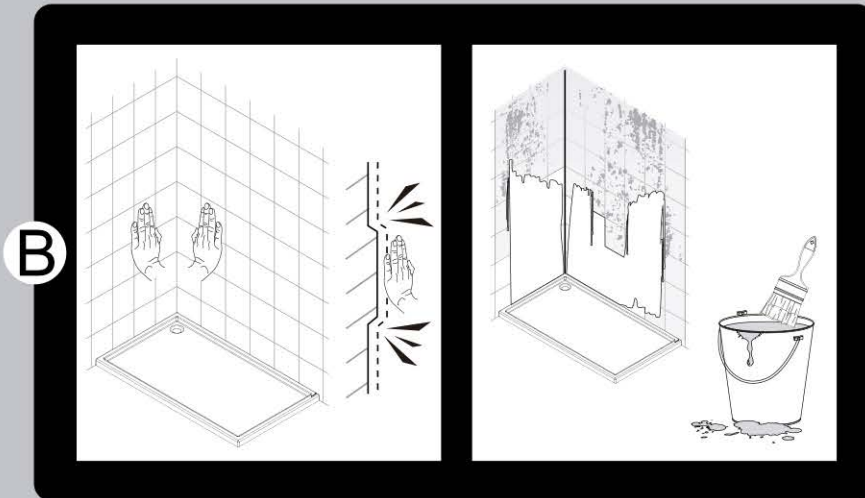
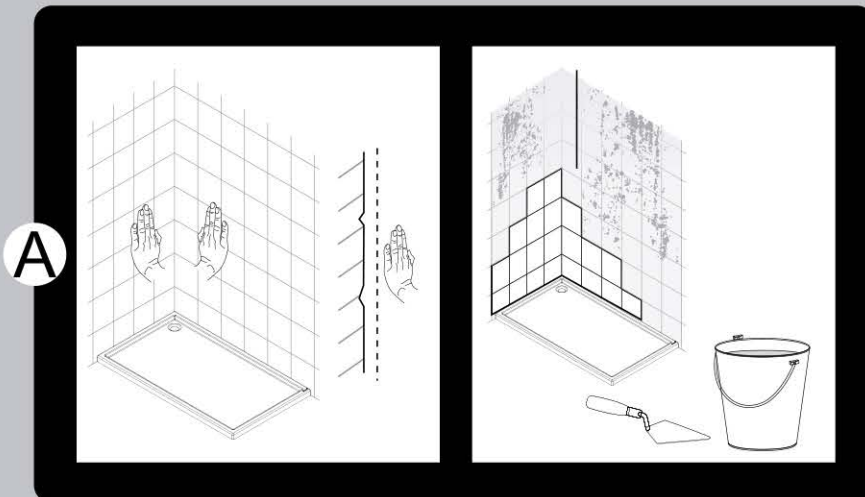
8



9



⚠ **A/B** ⚠



**B** →

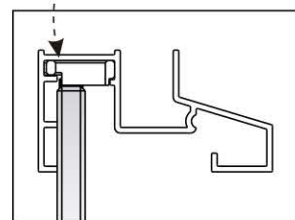
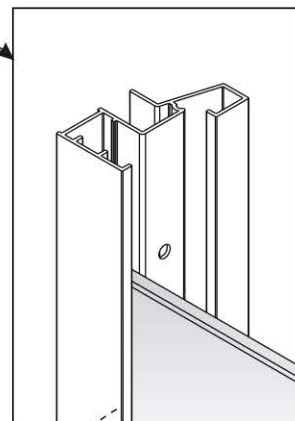
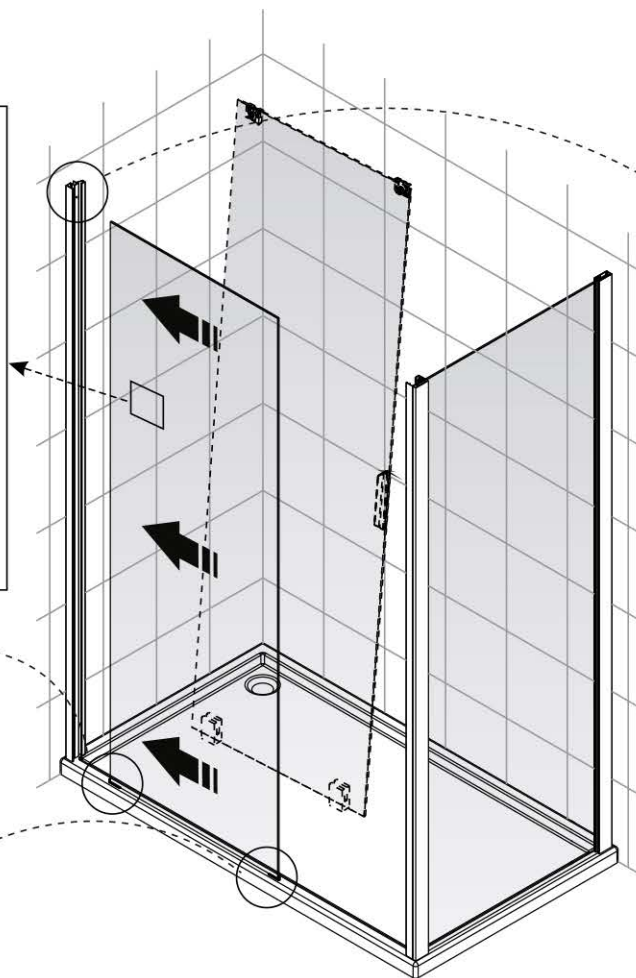
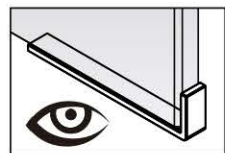
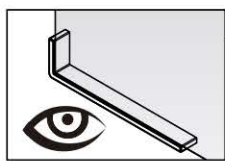
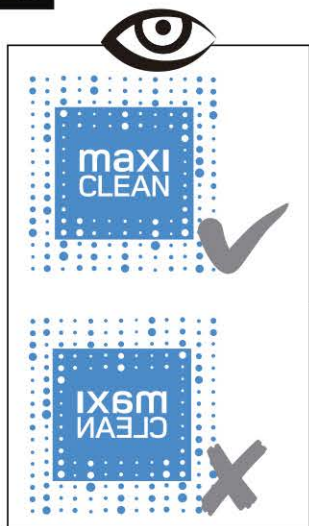
\* OPCION/OPTION/OPZIONE/OPÇÃO



MK201940

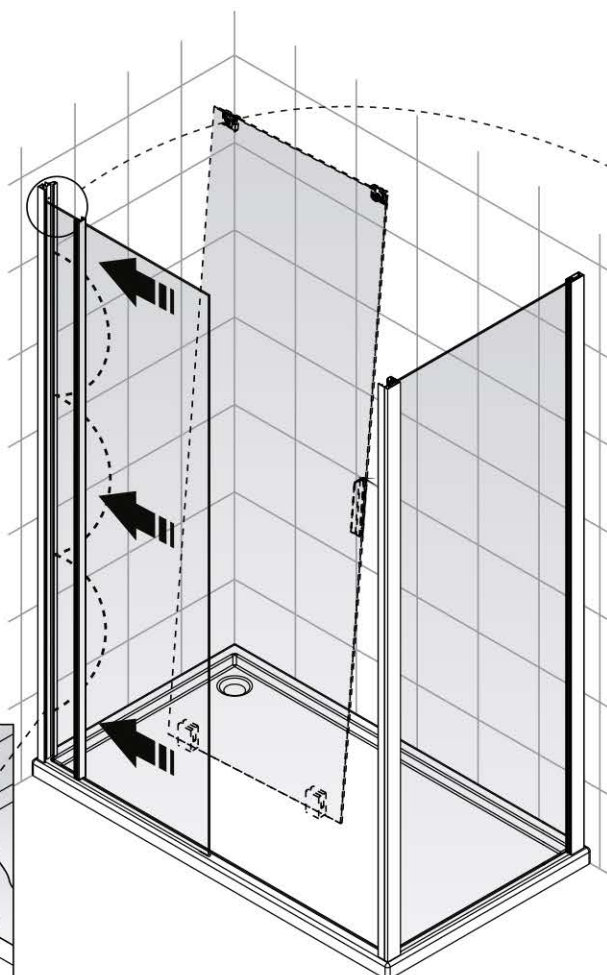
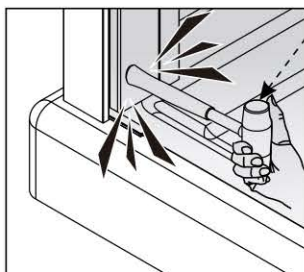
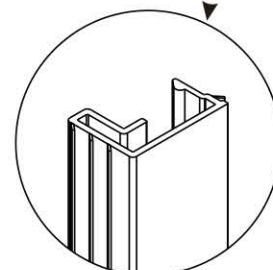
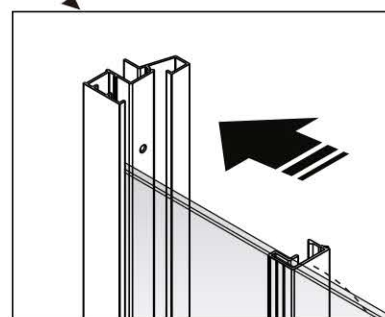
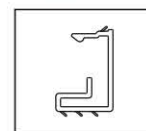


10

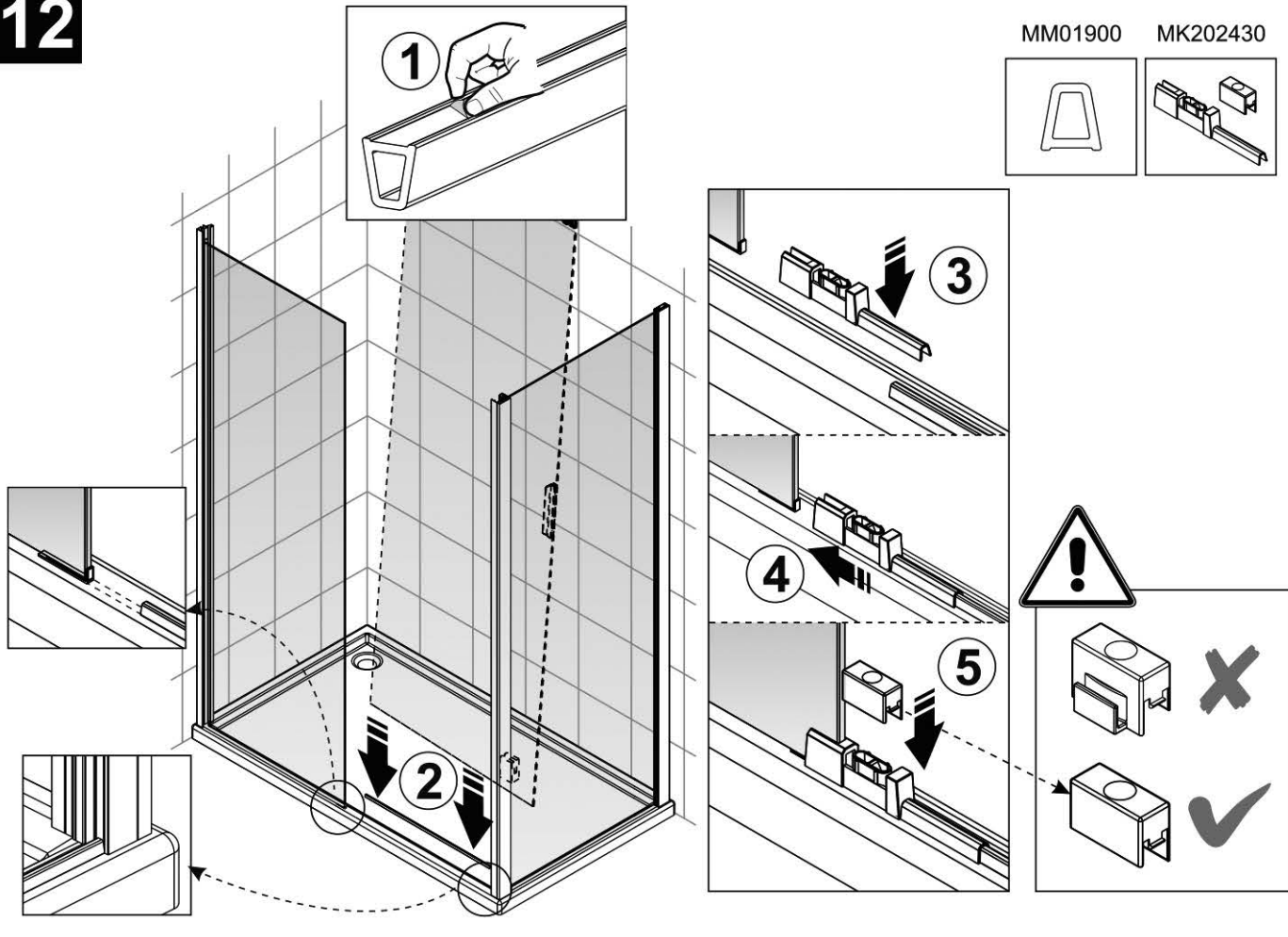


11

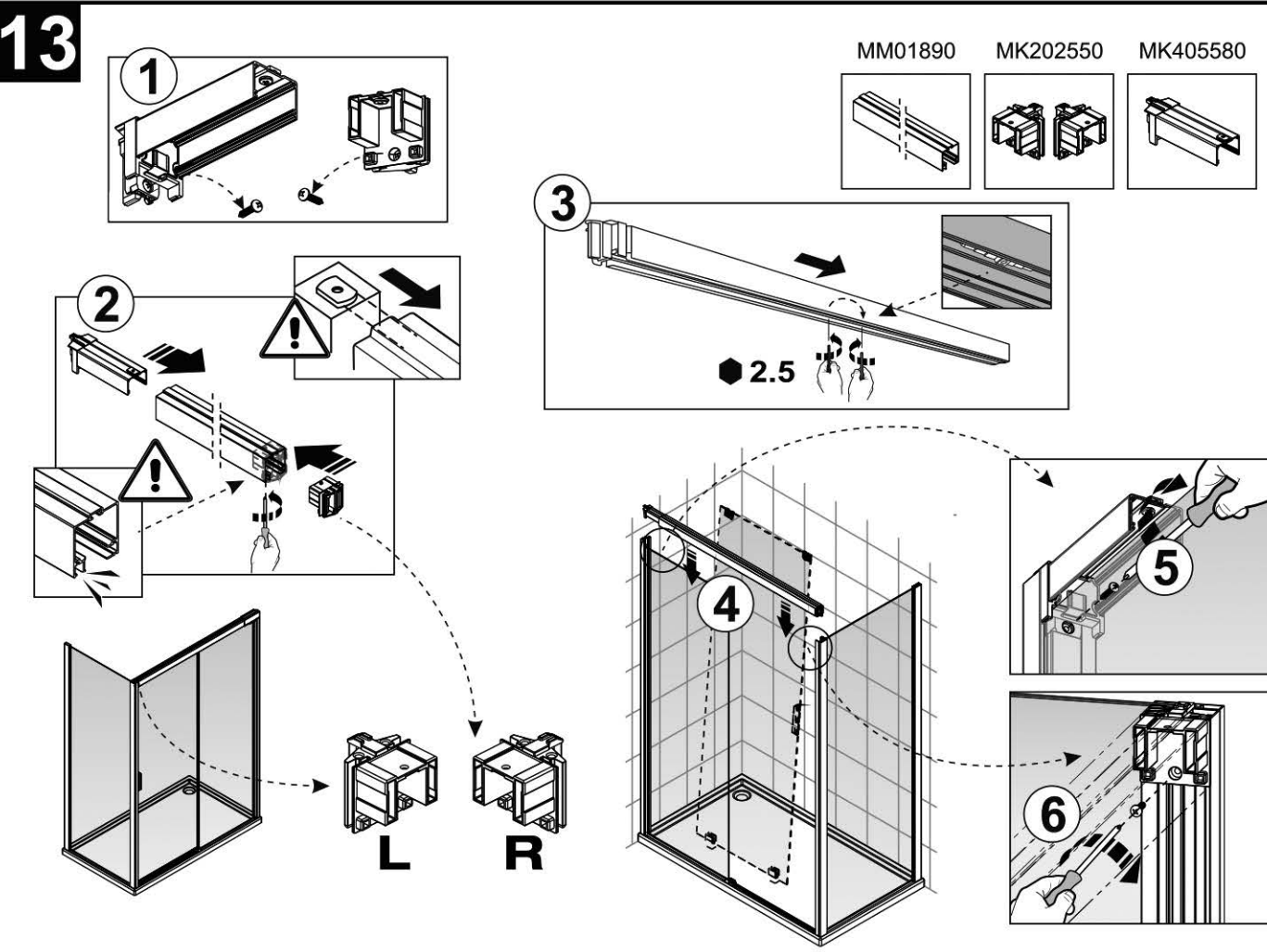
MU0557



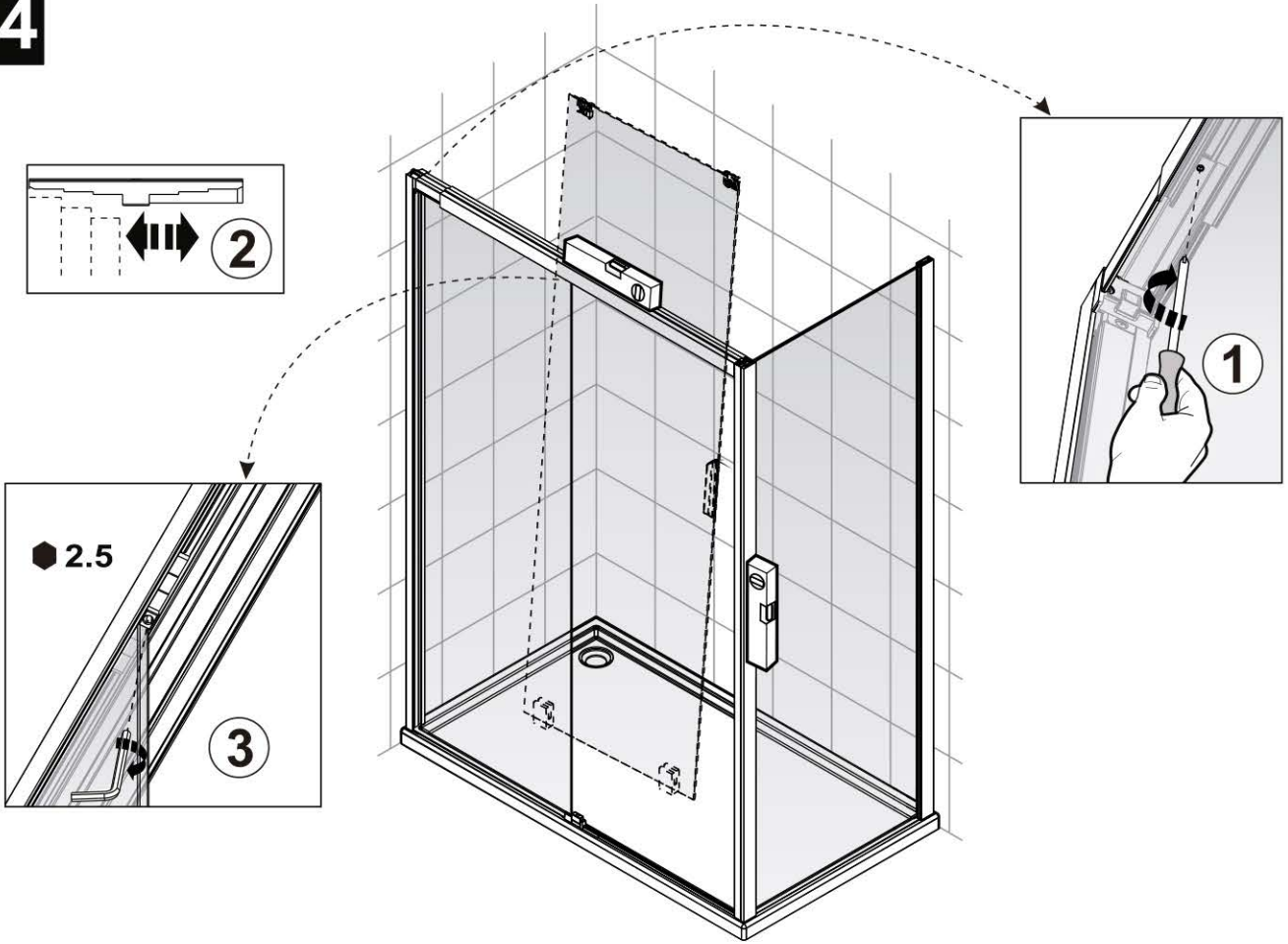
# 12



# 13

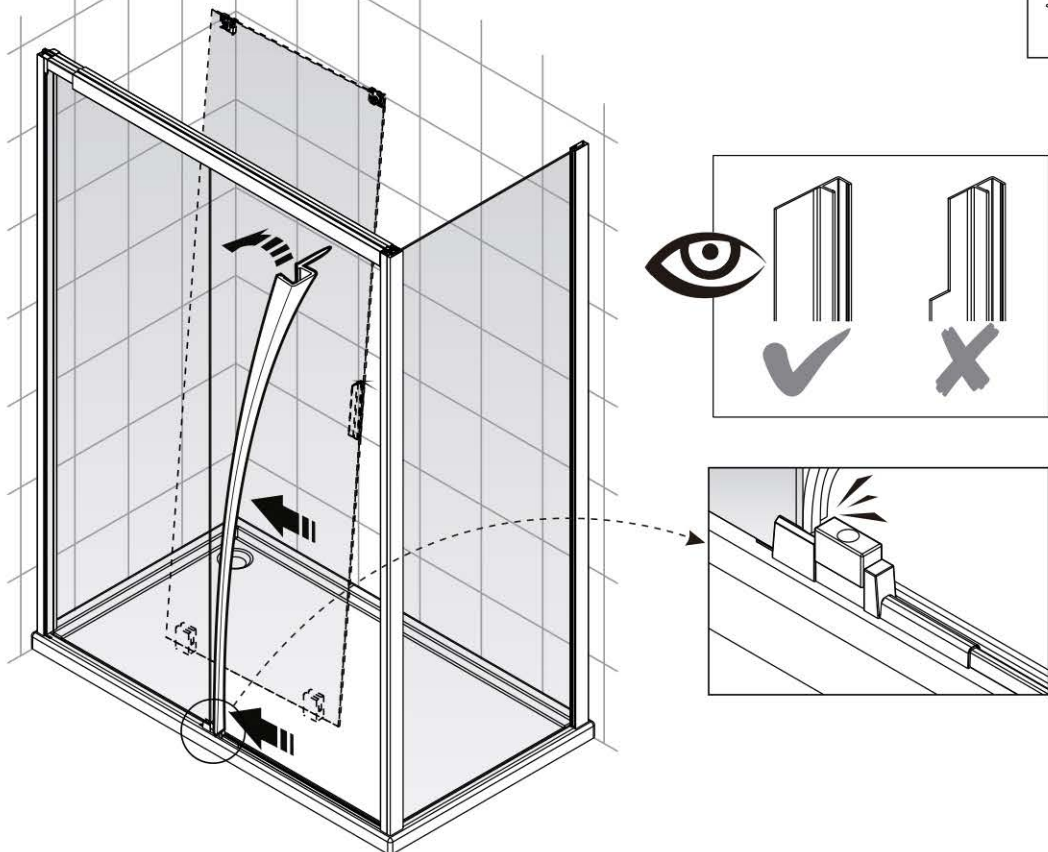
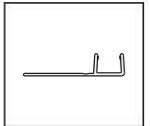


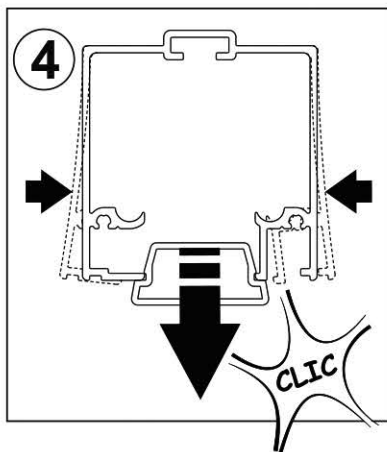
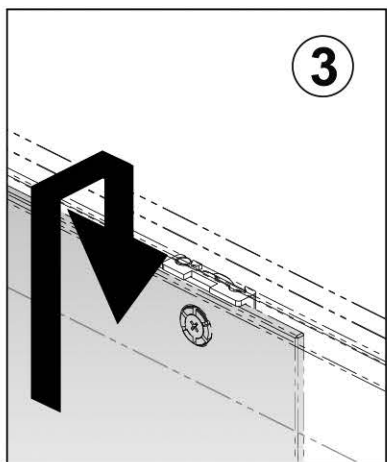
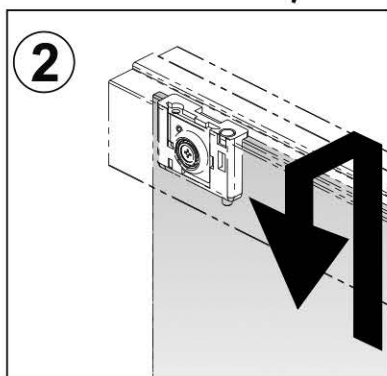
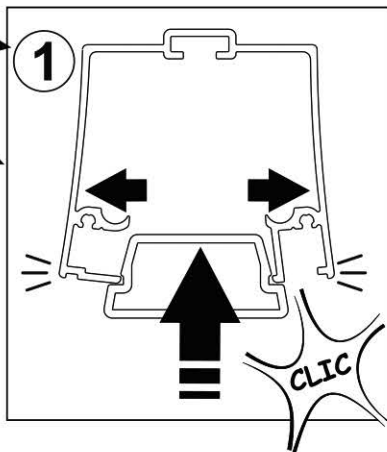
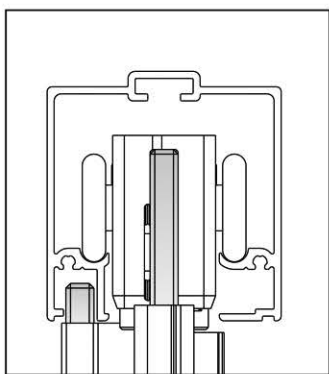
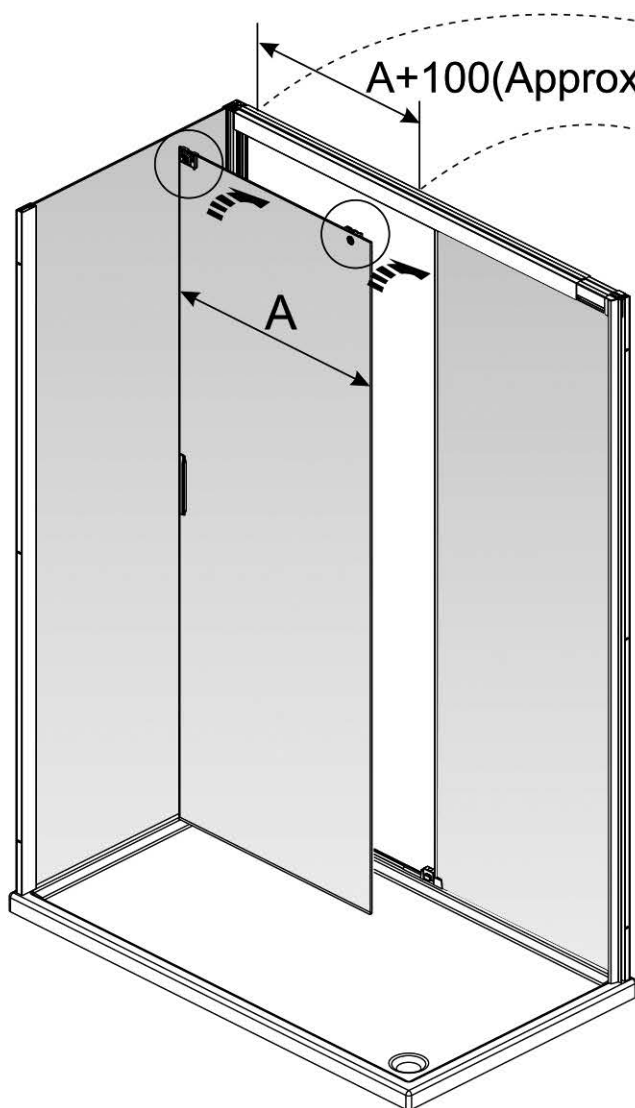
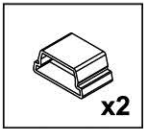
14



15

MU0560020



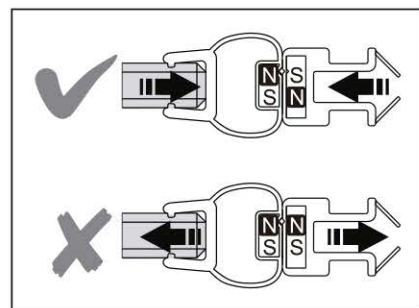
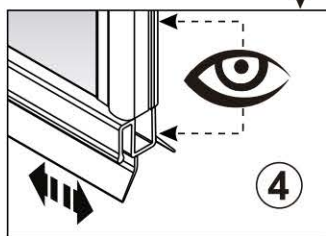
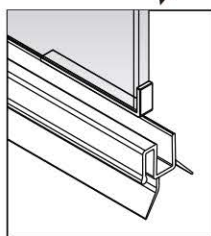
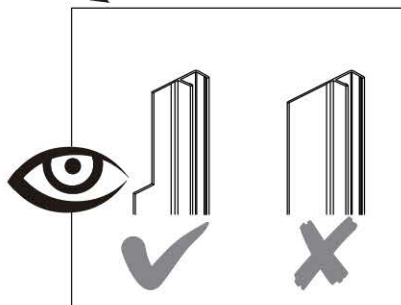
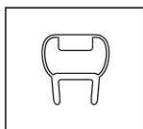
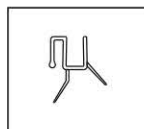
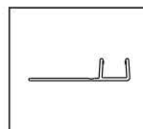
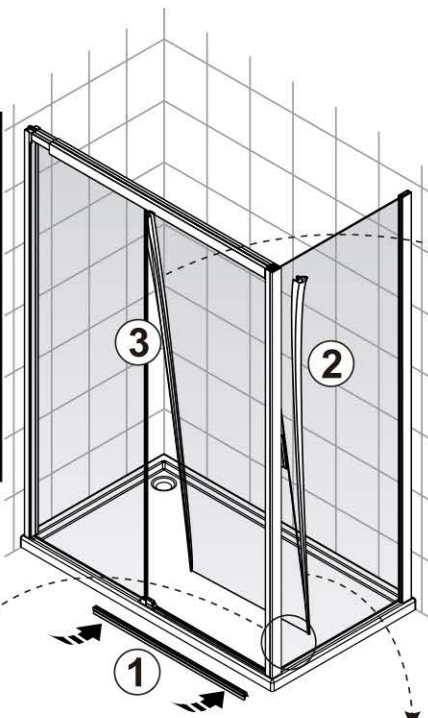
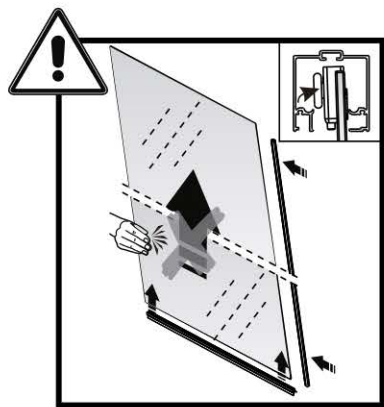


# 17

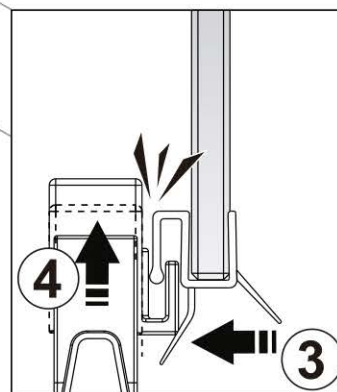
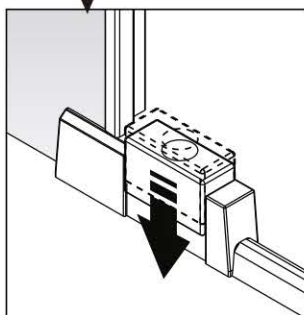
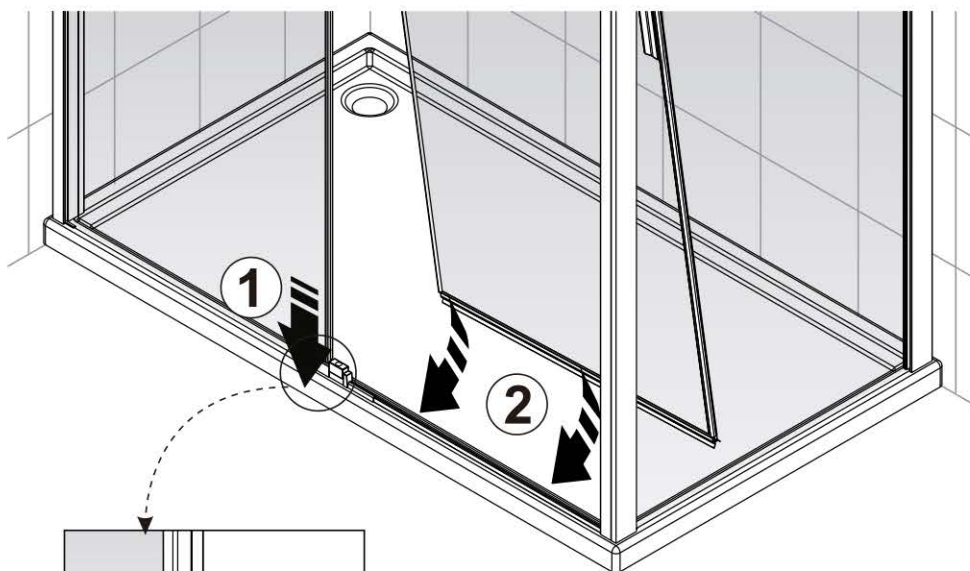
MU0560010

MU0563010

MU0567

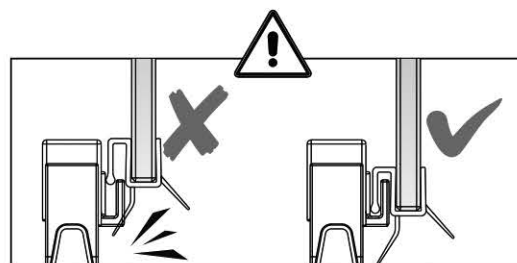
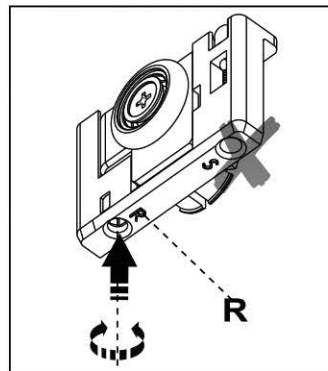
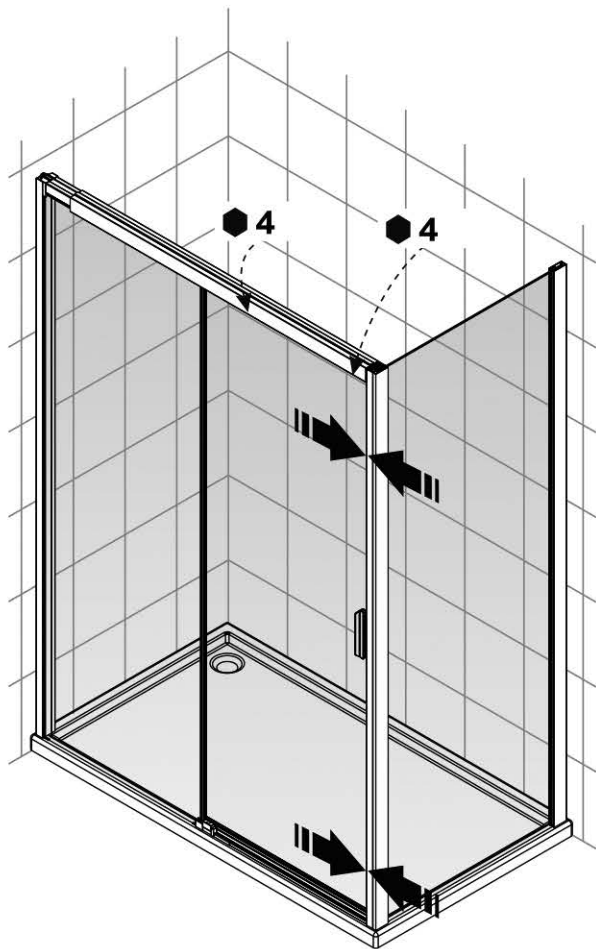
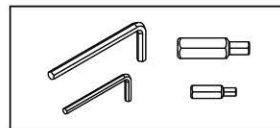


# 18



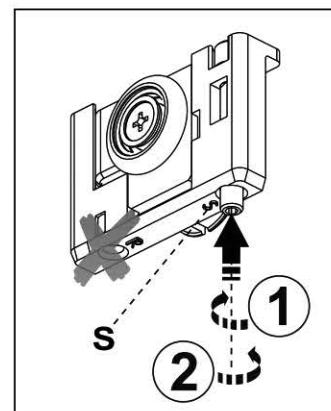
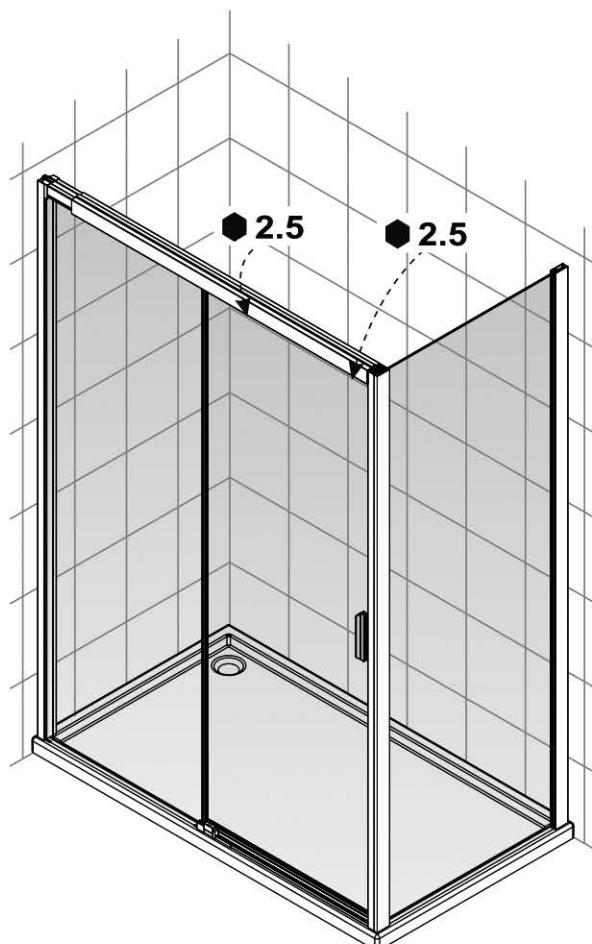
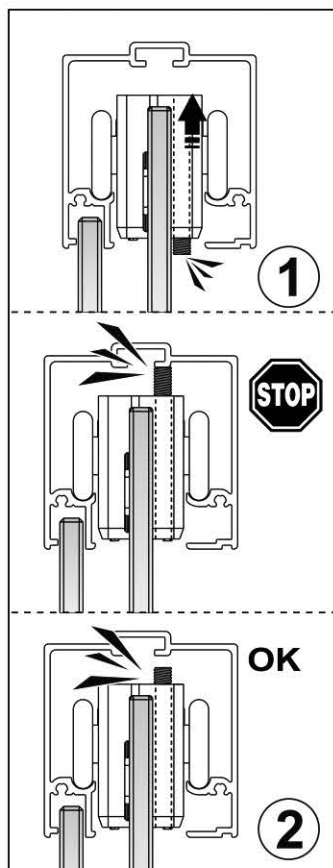
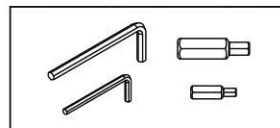
# 19

MK20235



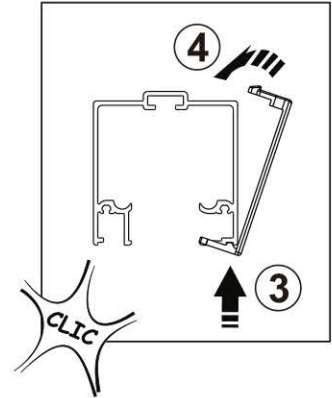
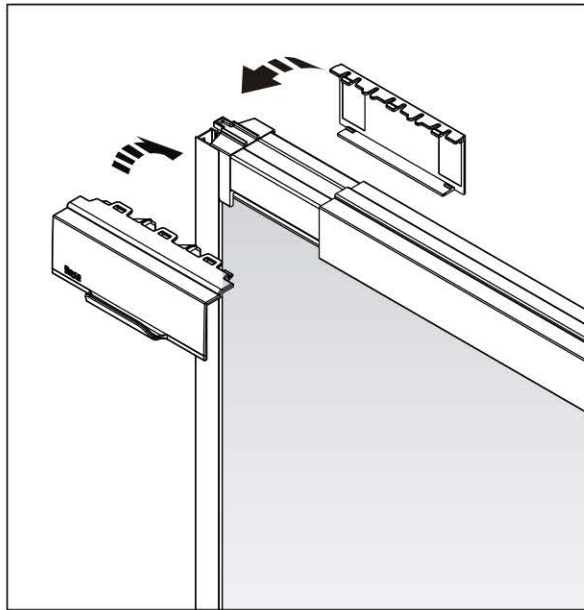
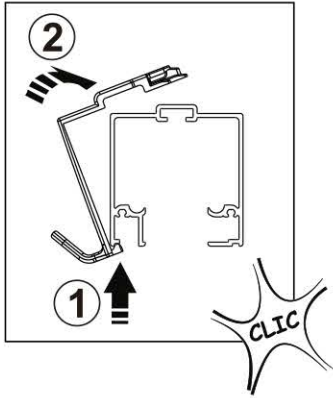
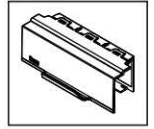
# 20

MK20235



21

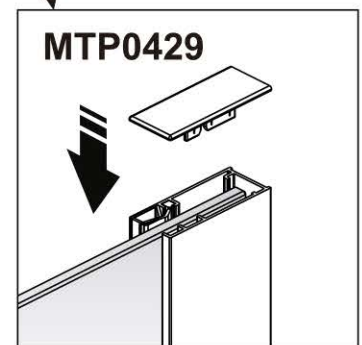
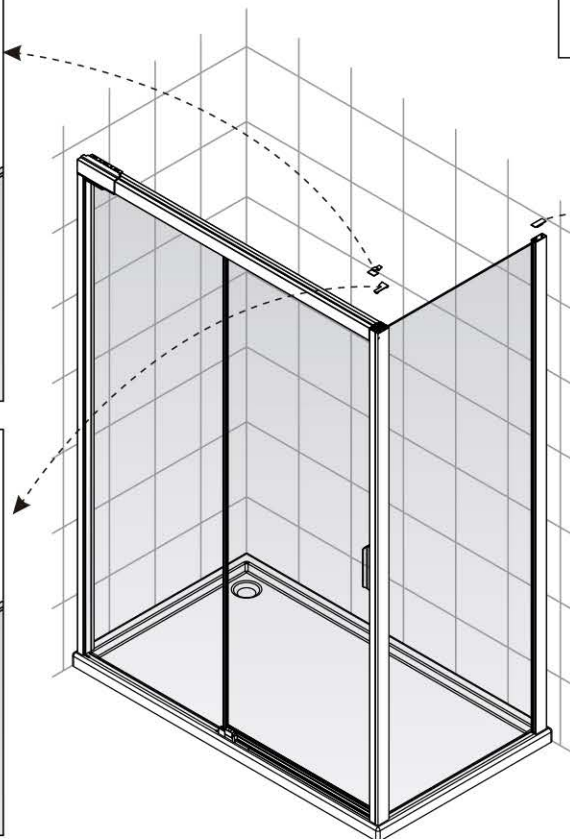
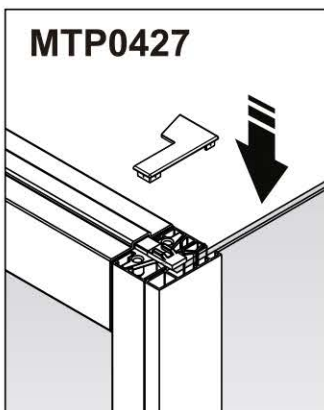
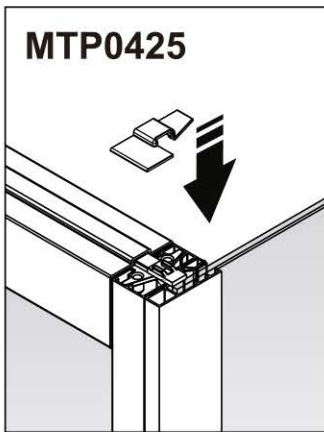
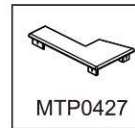
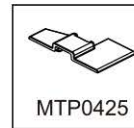
MK202410



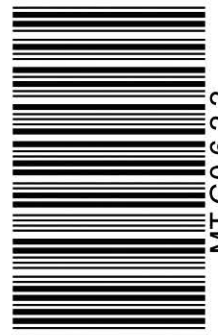
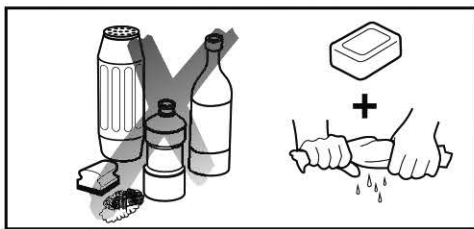
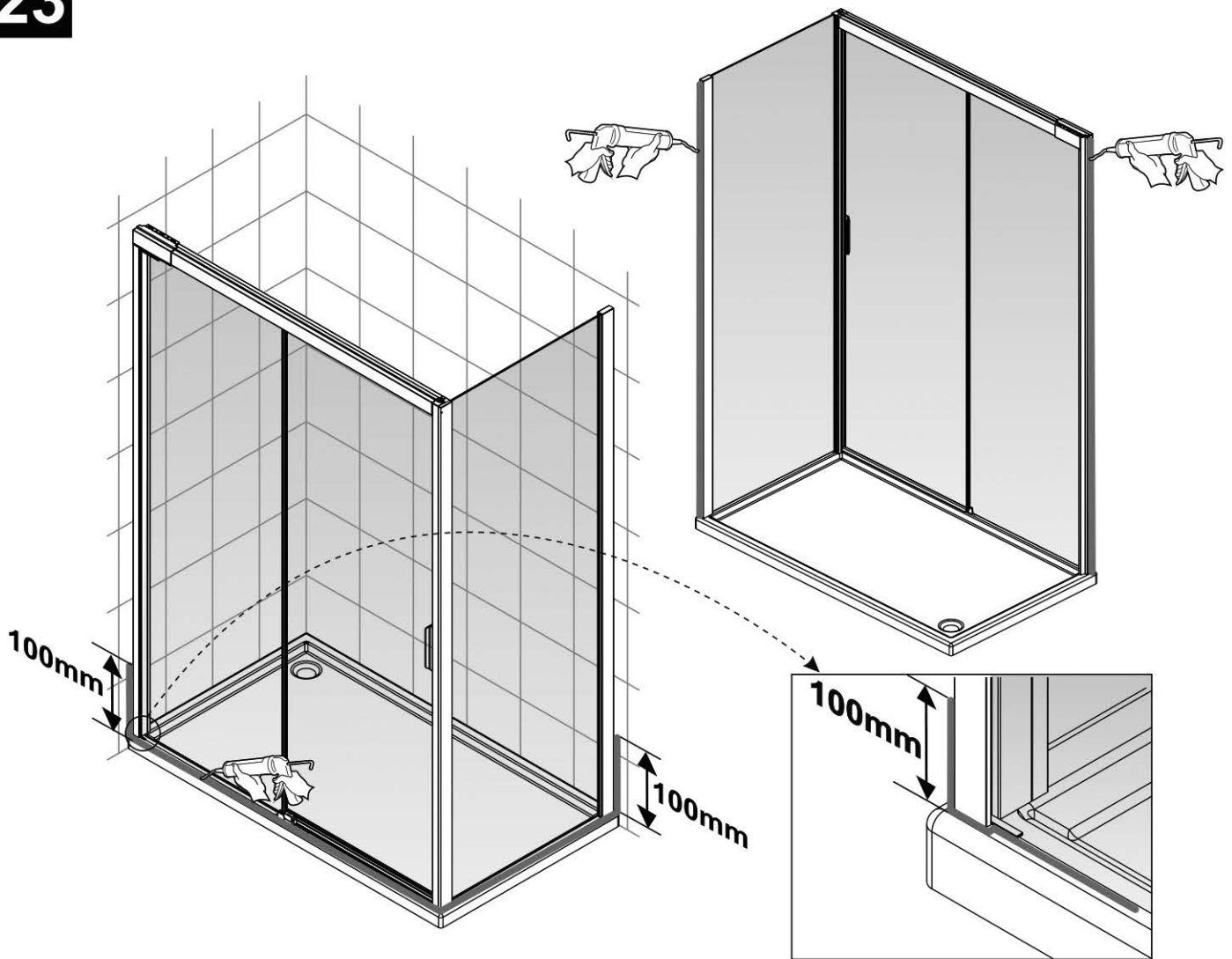
22

MK202420

MK202400



23



V6

MT G0 6 2 2

Roca Sanitario, S.A.

Avda. Diagonal, 513  
 08029 Barcelona - SPAIN  
 Teléfono 93 366 1200  
 Fax 93 419 4501  
 www.roca.es

**Roca**

**902  
304  
848**   
 LÍNEA DE  
 ATENCIÓN AL  
 CONSUMIDOR  
 ESPAÑA