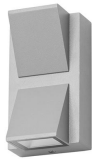


LOYD Aplique



Descripción

Aplique para iluminar hacia arriba y hacia abajo

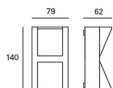
Material estructura: Aluminio. Acabado estructura: Gris. Acabados palas: NA. Material difusor: Cristal.
Acabado difusor: Transparente. Garantía: 5 Años.

Acabado

Gris
Transparente
NA

Material

Aluminio
Cristal



IP54



18

CARACTERÍSTICAS TÉCNICAS

Fuente de luz

Fuente de luz: LED CREE
Potencia (W): 4.1W
Consumo total (W): 5.9 W
Temperatura de color: Blanco cálido - 3000K
CRI: 80
Riesgo fotobiológico: RG2
Lumens reales: 164
Nº Leds: 2
Lm/W reales: 28
Vida útil: 36.000h L70B30
Bin / Grup: 7C1 o 7B4
UGR: 13.8

EQUIPO

Marca: SINOBASE
Equipo incluido: Si, electrónico
Voltaje / Frecuencia: 100-240 VAC
Factor de potencia: 0.49
Flickering: 8.6%

Luminaria

Garantía: 5 Años

Logística

Eficiencia energética: LED A++
EAN: 8435381493868
Peso neto (Kg): 0.475
Peso en Kg (embalado): 0.553
Box: 85 x 70 x 150
Masterbox: 18

Luminaire

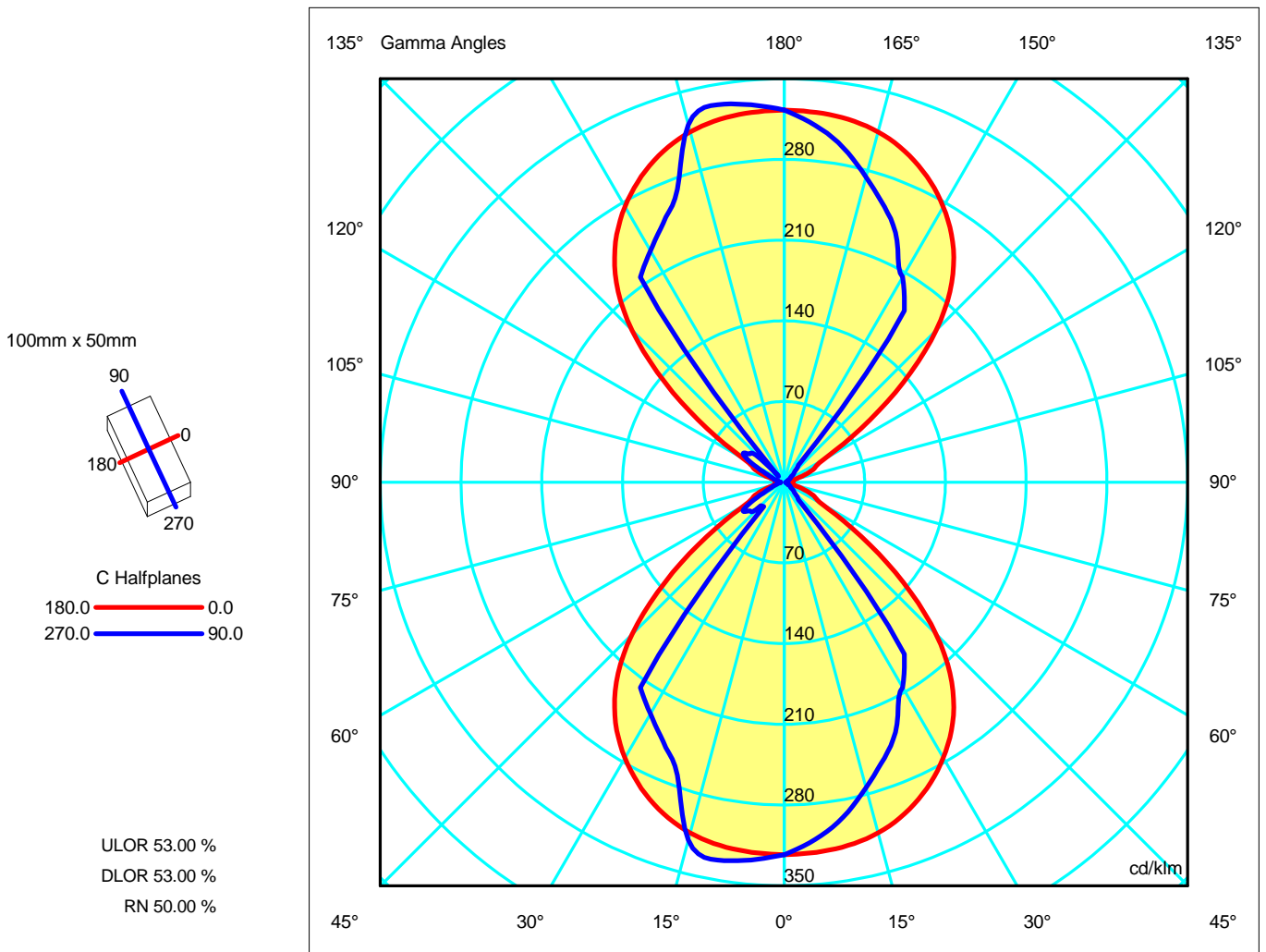
Code PX-0396-GRI
 Name APLIQUE BLANCO 6W

Measur.

Code PX-0396-GRI
 Name APLIQUE BLANCO 6W

Luminaire Flux	164.45 lm	Luminaire Power	6.00 W	Efficacy	27.41 lm/W	Efficiency	106.00%
Lamps Flux	155.14 lm	Maximum value	332.68 cd/klm	Position	C=270.00 G=10.00	CG	Asymmetrical
Rectangular Luminaire		Length	100 mm	Width	50 mm	Height	170 mm
Rectangular Luminous Area		Length	40 mm	Width	40 mm	Height	0 mm
Horizontal Luminous Area	0.001600 m2	Emitting area on Plane 180°	0.000000 m2	Emitting area on Plane 270°	0.000000 m2	Emitting area on Plane 90°	0.000387 m2
Coordinate system	CG	Symmetry Type	Asymmetrical				
Date	03-08-2017	Maximum Gamma Angle	180				
Measurement Distance	0.00	Measurement Flux	155.14 lm				
Operator	LEDS	Source Voltage [V]					
Temperature	25.00 °C	Source current [A]					
Humidity	60.00 %	Photocell					
Notes							

Line	Code LED	Luminaire Lamps Name LED	Flux [lm]	Pow. [W]	Q.ty
			155.14	6.00	1
C.I.E.	73 95 99 50 106	D DIN 5040	C61		
F UTE	0.53 B + 0.53 T	B NBN	BZ 2		





Luminaire
 Code PX-0396-GRI
 Name APLIQUE BLANCO 6W
Measur.
 Code PX-0396-GRI
 Name APLIQUE BLANCO 6W

Luminaire Flux	164.45 lm	Luminaire Power	6.00 W	Efficacy	27.41 lm/W	Efficiency	106.00%
Lamps Flux	155.14 lm	Maximum value	332.68 cd/klm	Position	C=270.00 G=10.00	CG Asymmetrical	

Luminous Intensity Table cd/klm Table 1/1

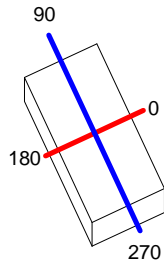
	C 0.00	C 15.00	C 30.00	C 45.00	C 60.00	C 75.00	C 90.00	C 105.00	C 120.00	C 135.00	C 150.00	C 165.00
G 0.0	323.00	323.00	323.00	323.00	323.00	323.00	323.00	323.00	323.00	323.00	323.00	323.00
G 5.0	322.09	319.94	315.68	313.45	311.75	310.83	310.85	310.83	311.75	313.45	315.68	319.94
G 10.0	319.80	313.12	307.60	302.28	298.08	295.48	294.96	295.48	298.08	302.28	307.60	313.12
G 15.0	314.75	308.22	299.01	290.52	286.83	279.96	274.26	279.96	286.83	290.52	299.01	308.22
G 20.0	305.81	297.35	287.62	280.85	270.46	260.62	254.34	260.62	270.46	280.85	287.62	297.35
G 25.0	292.85	282.15	270.05	260.25	251.97	243.12	231.51	243.12	251.97	260.25	270.05	282.15
G 30.0	276.00	263.90	246.75	233.95	226.16	206.70	205.67	206.70	226.16	233.95	246.75	263.90
G 35.0	254.75	242.71	223.81	201.69	199.72	193.03	181.80	193.03	199.72	201.69	223.81	242.71
G 40.0	226.11	216.26	201.39	177.21	118.83	74.76	19.51	74.76	118.83	177.21	201.39	216.26
G 45.0	186.50	181.27	175.75	132.06	31.81	17.01	12.95	17.01	31.81	132.06	175.75	181.27
G 50.0	135.03	134.70	142.46	37.27	11.28	10.94	10.06	10.94	11.28	37.27	142.46	134.70
G 55.0	81.69	83.29	89.03	11.41	8.37	7.35	6.86	7.35	8.37	11.41	89.03	83.29
G 60.0	39.21	39.52	33.19	8.82	6.45	5.75	5.00	5.75	6.45	8.82	33.19	39.52
G 65.0	29.07	26.04	8.56	6.82	5.50	4.38	3.92	4.38	5.50	6.82	8.56	26.04
G 70.0	18.92	16.94	6.71	5.13	4.51	3.49	2.85	3.49	4.51	5.13	6.71	16.94
G 75.0	8.78	8.06	5.19	4.16	3.73	2.96	2.27	2.96	3.73	4.16	5.19	8.06
G 80.0	7.88	5.89	4.24	3.70	3.29	2.90	1.70	2.90	3.29	3.70	4.24	5.89
G 85.0	5.79	4.49	3.67	3.49	3.14	2.97	1.63	2.97	3.14	3.49	3.67	4.49
G 90.0	3.12	3.12	3.12	3.40	3.40	3.43	3.33	3.43	3.40	3.40	3.12	3.12
G 95.0	5.79	4.49	3.67	3.49	3.14	2.97	1.63	2.97	3.14	3.49	3.67	4.49
G100.0	7.88	5.89	4.24	3.70	3.29	2.90	1.70	2.90	3.29	3.70	4.24	5.89
G105.0	8.78	8.06	5.19	4.16	3.73	2.96	2.27	2.96	3.73	4.16	5.19	8.06
G110.0	18.92	16.94	6.71	5.13	4.51	3.49	2.85	3.49	4.51	5.13	6.71	16.94
G115.0	29.07	26.04	8.56	6.82	5.50	4.38	3.92	4.38	5.50	6.82	8.56	26.04
G120.0	39.21	39.52	33.19	8.82	6.45	5.75	5.00	5.75	6.45	8.82	33.19	39.52
G125.0	81.69	83.29	89.03	11.41	8.37	7.35	6.86	7.35	8.37	11.41	89.03	83.29
G130.0	135.03	134.70	142.46	37.27	11.28	10.94	10.06	10.94	11.28	37.27	142.46	134.70
G135.0	186.50	181.27	175.75	132.06	31.81	17.01	12.95	17.01	31.81	132.06	175.75	181.27
G140.0	226.11	216.26	201.39	177.21	118.83	74.76	19.51	74.76	118.83	177.21	201.39	216.26
G145.0	254.75	242.71	223.81	201.69	199.72	193.03	181.80	193.03	199.72	201.69	223.81	242.71
G150.0	276.00	263.90	246.75	233.95	226.16	206.70	205.67	206.70	226.16	233.95	246.75	263.90
G155.0	292.85	282.15	270.05	260.25	251.97	243.12	231.51	243.12	251.97	260.25	270.05	282.15
G160.0	305.81	297.35	287.62	280.85	270.46	260.62	254.34	260.62	270.46	280.85	287.62	297.35
G165.0	314.75	308.22	299.01	290.52	286.83	279.96	274.26	279.96	286.83	290.52	299.01	308.22
G170.0	319.80	313.12	307.60	302.28	298.08	295.48	294.96	295.48	298.08	302.28	307.60	313.12
G175.0	322.09	319.94	315.68	313.45	311.75	310.83	310.85	310.83	311.75	313.45	315.68	319.94
G180.0	323.00	323.00	323.00	323.00	323.00	323.00	323.00	323.00	323.00	323.00	323.00	323.00

	C 180.00	C 195.00	C 210.00	C 225.00	C 240.00	C 255.00	C 270.00	C 285.00	C 300.00	C 315.00	C 330.00	C 345.00
G 0.0	323.00	323.00	323.00	323.00	323.00	323.00	323.00	323.00	323.00	323.00	323.00	323.00
G 5.0	322.09	323.73	325.07	326.25	327.31	328.18	328.77	328.18	327.31	326.25	325.07	323.73
G 10.0	319.80	322.26	324.83	328.01	330.22	331.56	332.68	331.56	330.22	328.01	324.83	322.26
G 15.0	314.75	318.16	324.00	326.57	323.53	319.83	321.05	319.83	323.53	326.57	324.00	318.16
G 20.0	305.81	311.32	319.40	309.43	285.99	270.84	270.36	270.84	285.99	309.43	319.40	311.32
G 25.0	292.85	301.64	305.33	273.37	247.00	245.58	247.91	245.58	247.00	273.37	305.33	301.64
G 30.0	276.00	287.30	280.80	239.52	233.90	231.04	231.74	231.04	233.90	239.52	280.80	287.30
G 35.0	254.75	265.36	249.21	221.01	216.16	189.42	217.34	189.42	216.16	221.01	249.21	265.36
G 40.0	226.11	233.31	217.68	203.31	132.64	58.97	27.50	58.97	132.64	203.31	217.68	233.31
G 45.0	186.50	190.77	188.56	137.93	32.32	28.74	28.46	28.74	32.32	137.93	188.56	190.77
G 50.0	135.03	139.27	151.21	45.33	22.60	40.75	38.46	40.75	22.60	45.33	151.21	139.27
G 55.0	81.69	86.71	98.06	17.88	29.40	41.53	43.35	41.53	29.40	17.88	98.06	86.71
G 60.0	39.21	43.60	38.58	18.83	26.87	30.50	30.08	30.50	26.87	18.83	38.58	43.60
G 65.0	29.07	18.75	12.35	14.20	16.73	18.35	15.79	18.35	16.73	14.20	12.35	18.75
G 70.0	18.92	9.34	7.73	10.08	11.13	11.11	10.42	11.11	10.08	7.73	9.34	18.92
G 75.0	8.78	7.59	7.18	9.13	8.11	7.20	7.08	7.20	8.11	9.13	7.18	7.59
G 80.0	7.88	6.65	5.59	6.54	6.01	5.61	5.16	5.61	6.01	6.54	5.59	6.65
G 85.0	5.79	5.05	4.49	6.90	4.58	4.49	3.51	4.49	4.58	6.90	4.49	5.05
G 90.0	3.12	3.12	3.40	5.10	4.10	3.68	2.83	3.68	4.10	5.10	3.40	3.12
G 95.0	5.79	5.05	4.49	6.90	4.58	4.49	3.51	4.49	4.58	6.90	4.49	5.05
G100.0	7.88	6.65	5.59	6.54	6.01	5.61	5.16	5.61	6.01	6.54	5.59	6.65
G105.0	8.78	7.59	7.18	9.13	8.11	7.20	7.08	7.20	8.11	9.13	7.18	7.59
G110.0	18.92	9.34	7.73	10.08	11.13	11.11	10.42	11.11	10.08	7.73	9.34	18.92
G115.0	29.07	18.75	12.35	14.20	16.73	18.35	15.79	18.35	16.73	14.20	12.35	18.75
G120.0	39.21	43.60	38.58	18.83	26.87	30.50	30.08	30.50	26.87	18.83	38.58	43.60
G125.0	81.69	86.71	98.06	17.88	29.40	41.53	43.35	41.53	29.40	17.88	98.06	86.71
G130.0	135.03	139.27	151.21	45.33	22.60	40.75	38.46	40.75	22.60	45.33	151.21	139.27
G135.0	186.50	190.77	188.56	137.93	32.32	28.74	28.46	28.74	32.32	137.93	188.56	190.77
G140.0	226.11	233.31	217.68	203.31	132.64	58.97	27.50	58.97	132.64	203.31	217.68	233.31
G145.0	254.75	265.36	249.21	221.01	216.16	189.42	217.34	189.42	216.16	221.01	249.21	265.36
G150.0	276.00	287.30	280.80	239.52	233.90	231.04	231.74	231.04	233.90	239.52	280.80	287.30
G155.0	292.85	301.64	305.33	273.37	247.00	245.58	247.91	245.58	247.00	273.37	305.33	301.64
G160.0	305.81	311.32	319.40	309.43	285.99	270.84	270.36	270.84	285.99	309.43	319.40	311.32
G165.0	314.75	318.16	324.00	326.57	323.53	319.83	321.05	319.83	323.53	326.57	324.00	318.16
G170.0	319.80	322.26	324.83	328.01	330.22	331.56	332.68	331.56	330.22	328.01	324.83	322.26
G175.0	322.09	323.73	325.07	326.25	327.31	328.18	328.77	328.18	327.31	326.25	325.07	323.73
G180.0	323.00	323.00	323.00	323.00	323.00	323.00	323.00	323.00	323.00	323.00	323.00	323.00

Luminaire
 Code PX-0396-GRI
 Name APLIQUE BLANCO 6W
Measur.
 Code PX-0396-GRI
 Name APLIQUE BLANCO 6W

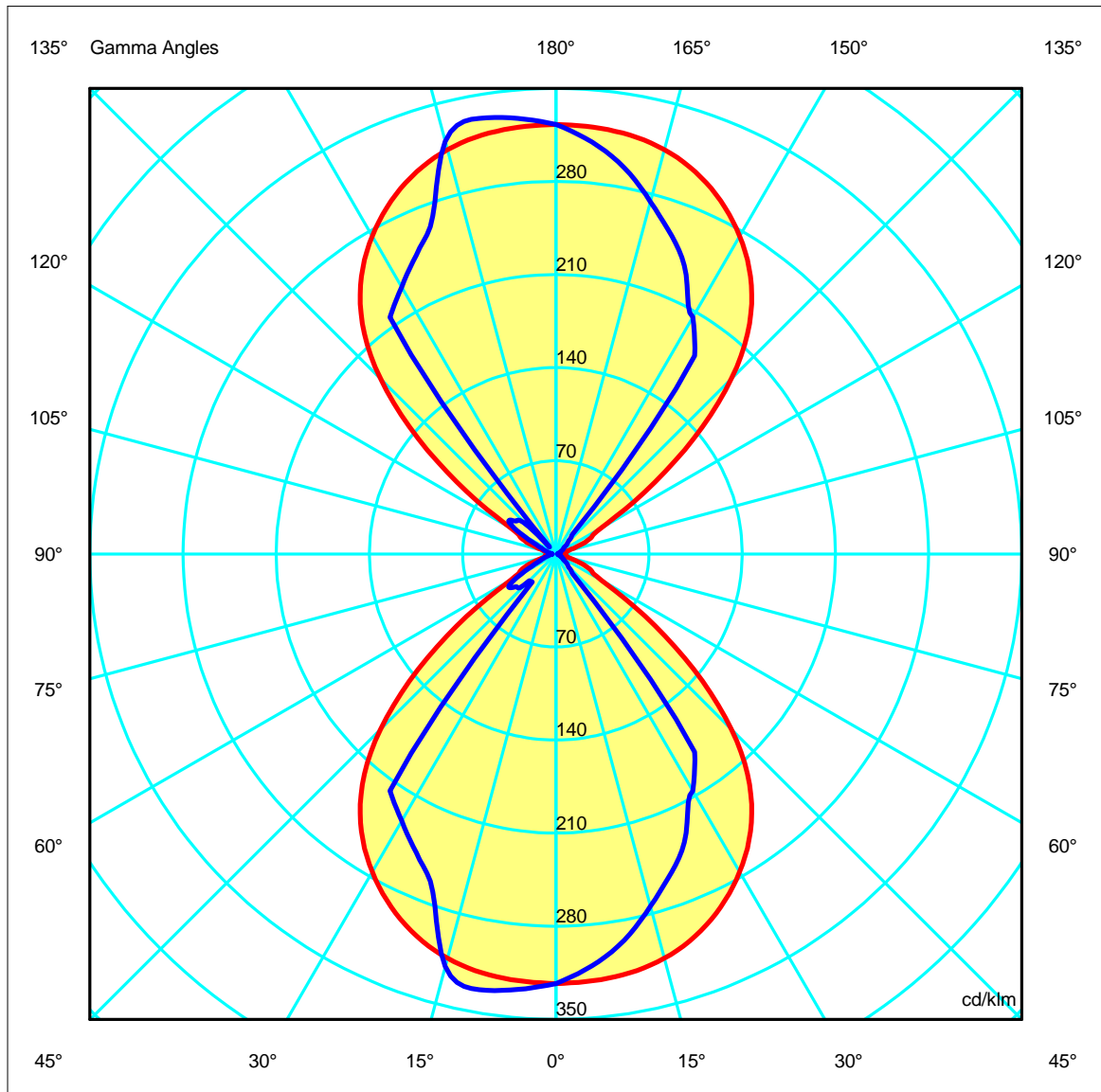
Luminaire Flux	164.45 lm	Luminaire Power	6.00 W	Efficacy	27.41 lm/W	Efficiency	106.00%
Lamps Flux	155.14 lm	Maximum value	332.68 cd/klm	Position	C=270.00 G=10.00	CG	Asymmetrical

100mm x 50mm



C Halfplanes

180.0 ——— 0.0
 270.0 ——— 90.0



Luminaire

Code PX-0396-GRI
Name APLIQUE BLANCO 6W

Measur.

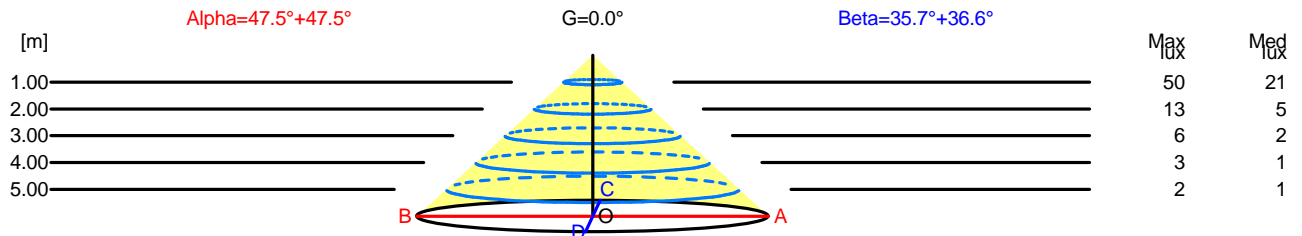
Code PX-0396-GRI
Name APLIQUE BLANCO 6W

Luminaire Flux	164.45 lm	Luminaire Power	6.00 W	Efficacy	27.41 lm/W	Efficiency	106.00%
Lamps Flux	155.14 lm	Maximum value	332.68 cd/klm	Position	C=270.00 G=10.00	CG	Asymmetrical

Width at 50.00 % of Max Intensity

H[m]	1.00	2.00	3.00	4.00	5.00	H[m]	1.00	2.00	3.00	4.00	5.00
OA	1.09	2.18	3.28	4.37	5.46	OC	0.72	1.44	2.16	2.88	3.60
OB	1.09	2.18	3.28	4.37	5.46	OD	0.74	1.48	2.23	2.97	3.71

	Luminous Intensities [cd/klm]									
	0	5	15	25	35	45	55	65	75	85
OA	50.11	49.97	48.83	45.43	39.52	28.93	12.67	4.51	1.36	0.90
OB	50.11	49.97	48.83	45.43	39.52	28.93	12.67	4.51	1.36	0.90
OC	50.11	48.23	42.55	35.92	28.20	2.01	1.06	0.61	0.35	0.25
OD	50.11	51.01	49.81	38.46	33.72	4.41	6.73	2.45	1.10	0.54



H[m]	D[m]	Max lux	Med lux	Alpha=47.5°+47.5°	G=0.0	
1.00	2.18	50	21			
2.00	4.37	13	5			
3.00	6.55	6	2			
4.00	8.74	3	1			
5.00	10.92	2	1			

H[m]	D[m]	Max lux	Med lux	Beta=36.6°+35.7°	G=0.0	
1.00	1.46	50	21			
2.00	2.92	13	5			
3.00	4.38	6	2			
4.00	5.84	3	1			
5.00	7.31	2	1			

Luminaire

Code PX-0396-GRI
Name APLIQUE BLANCO 6W

Measurement

Code PX-0396-GRI
Name APLIQUE BLANCO 6W

Luminaire Flux	164.45 lm	Luminaire Power	6.00 W	Efficacy	27.41 lm/W	Efficiency	106.00%
Lamps Flux	155.14 lm	Maximum value	332.68 cd/klm	Position	C=270.00 G=10.00	CG	Asymmetrical

UGR
S = 0.250

Reflectancies										
Ceiling/Cavity	0.7	0.7	0.5	0.5	0.3	0.7	0.7	0.5	0.5	0.3
Walls	0.5	0.3	0.5	0.3	0.3	0.5	0.3	0.5	0.3	0.3
WorkingPlane	0.2	0.2	0.2	0.2	0.2	0.2	0.2	0.2	0.2	0.2
RoomDimensions	ViewedCrosswise					ViewedEndwise				
x=2H y=2H	18.2	18.9	19.1	19.7	16.5	13.8	14.5	14.7	15.4	16.5
x=2H y=3H	18.2	18.8	19.1	19.7	16.7	14.0	14.7	15.0	15.5	16.7
x=2H y=4H	18.2	18.7	19.1	19.6	16.7	14.1	14.7	15.0	15.6	16.7
x=2H y=6H	18.1	18.6	19.1	19.6	16.8	14.2	14.7	15.1	15.6	16.8
x=2H y=8H	18.2	18.6	19.1	19.6	16.8	14.2	14.7	15.2	15.6	16.8
x=2H y=12H	18.2	18.7	19.2	19.6	16.9	14.3	14.8	15.2	15.7	16.9
x=4H y=2H	17.8	18.4	18.7	19.3	16.6	14.0	14.5	14.9	15.5	16.6
x=4H y=3H	17.8	18.3	18.8	19.2	16.9	14.3	14.8	15.2	15.7	16.9
x=4H y=4H	17.8	18.2	18.8	19.2	17.0	14.4	14.8	15.4	15.8	17.0
x=4H y=6H	17.9	18.2	18.9	19.2	17.2	14.6	14.9	15.6	15.9	17.2
x=4H y=8H	17.9	18.3	19.0	19.2	17.3	14.7	15.0	15.7	16.0	17.3
x=4H y=12H	18.1	18.3	19.1	19.3	17.4	14.9	15.1	15.9	16.1	17.4
x=8H y=4H	17.7	18.0	18.7	19.0	17.0	14.4	14.8	15.5	15.7	17.0
x=8H y=6H	17.7	18.0	18.8	19.0	17.3	14.8	15.0	15.8	16.0	17.3
x=8H y=8H	17.9	18.1	18.9	19.1	17.6	15.0	15.2	16.0	16.2	17.6
x=8H y=12H	18.1	18.2	19.1	19.3	17.9	15.3	15.5	16.3	16.5	17.9
x=12H y=4H	17.6	17.9	18.6	18.9	17.0	14.4	14.7	15.4	15.7	17.0
x=12H y=6H	17.7	17.9	18.7	18.9	17.4	14.9	15.1	15.9	16.1	17.4
x=12H y=8H	17.8	18.0	18.9	19.1	17.7	15.2	15.4	16.2	16.4	17.7

Luminaire

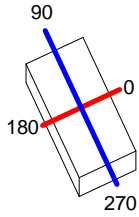
Code PX-0396-GRI
 Name APLIQUE BLANCO 6W

Measur.

Code PX-0396-GRI
 Name APLIQUE BLANCO 6W

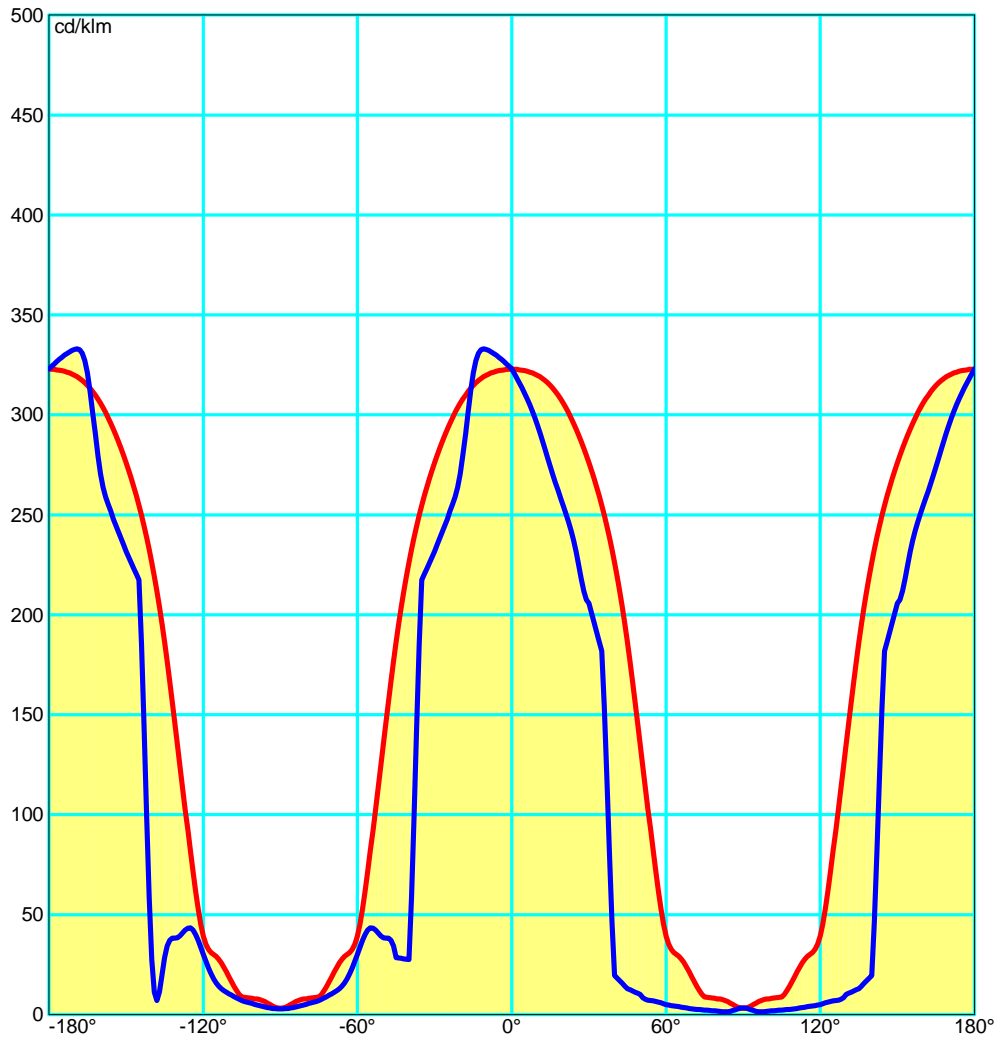
Luminaire Flux	164.45 lm	Luminaire Power	6.00 W	Efficacy	27.41 lm/W	Efficiency	106.00%
Lamps Flux	155.14 lm	Maximum value	332.68 cd/klm	Position	C=270.00 G=10.00	CG	Asymmetrical

100mm x 50mm



C Halfplanes

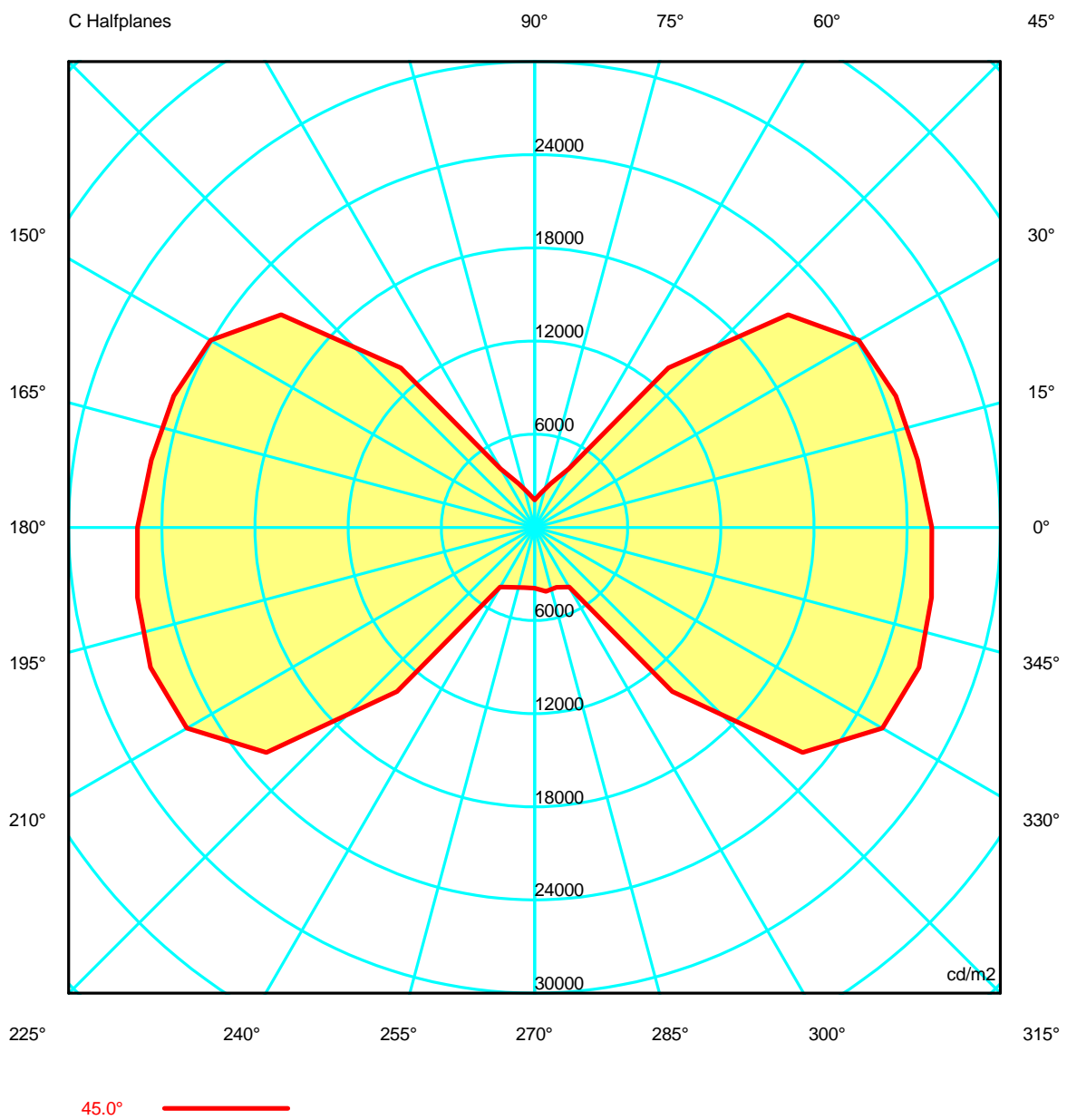
180.0 ———— 0.0
 270.0 ———— 90.0



Luminaire
 Code PX-0396-GRI
 Name APLIQUE BLANCO 6W
Measur.
 Code PX-0396-GRI
 Name APLIQUE BLANCO 6W

Luminaire Flux	164.45 lm	Luminaire Power	6.00 W	Efficacy	27.41 lm/W	Efficiency	106.00%
Lamps Flux	155.14 lm	Maximum value	332.68 cd/klm	Position	C=270.00 G=10.00	CG	Asymmetrical

Luminance





Luminaire

Code PX-0396-GRI
Name APLIQUE BLANCO 6W

Measur.

Code PX-0396-GRI
Name APLIQUE BLANCO 6W

Luminaire Flux	164.45 lm	Luminaire Power	6.00 W	Efficacy	27.41 lm/W	Efficiency	106.00%
Lamps Flux	155.14 lm	Maximum value	332.68 cd/klm	Position	C=270.00 G=10.00	CG	Asymmetrical

Luminance cd/m2 Table 1/3

	C 0.00	C 10.00	C 20.00	C 30.00	C 40.00	C 50.00	C 60.00	C 70.00	C 80.00	C 90.00	C 100.00	C 110.00	C 120.00
G 0.0	31318.52	31318.52	31318.52	31318.52	31318.52	31318.52	31318.52	31318.52	31318.52	31318.52	31318.52	31318.52	31318.52
G 5.0	31349.55	31235.64	31007.46	30726.06	30564.38	30452.56	30343.62	30271.43	30254.88	30255.87	30254.88	30271.42	30343.62
G 10.0	31486.57	31037.27	30639.73	30286.01	29930.04	29608.24	29348.17	29154.45	29058.02	29041.74	29057.96	29154.59	29348.17
G 15.0	31595.24	31183.22	30657.12	30015.07	29392.96	29018.47	28793.05	28372.72	27831.18	27530.57	27831.13	28372.81	28793.05
G 20.0	31555.05	30997.17	30333.66	29677.68	29225.73	28659.02	27907.92	27217.09	26580.69	26244.11	26580.64	27217.22	27907.92
G 25.0	31331.28	30588.52	29753.70	28891.83	28167.86	27529.20	26957.00	26413.14	25473.85	24768.15	25473.81	26413.22	26957.00
G 30.0	30901.52	30059.96	28939.40	27626.94	26545.67	25977.06	25321.58	23766.23	23103.94	23027.15	22922.91	23766.15	25321.58
G 35.0	30154.01	29257.01	28107.52	26492.50	24551.12	23795.92	23640.65	23287.65	22269.00	21519.73	22269.08	23287.45	23640.65
G 40.0	28620.36	27858.02	26783.05	25490.94	23945.43	20123.83	15040.52	11604.19	6487.10	2469.86	6487.21	11603.96	15040.52
G 45.0	25574.13	25037.65	24743.90	24099.53	21311.12	13409.96	4362.45	3008.77	2229.15	1775.80	2229.10	3008.77	4362.45
G 50.0	20368.78	20335.84	20709.26	21489.01	10976.40	4315.75	1702.10	1667.47	1585.87	1517.28	1585.46	1667.47	1702.10
G 55.0	13810.10	13990.16	15369.85	15050.71	6057.16	1757.54	1414.85	1300.25	1125.25	1160.38	1124.97	1300.25	1414.85
G 60.0	7603.11	7649.70	7625.76	6435.73	3114.26	1557.24	1250.78	1160.77	1031.71	969.04	1031.86	1160.77	1250.78
G 65.0	6668.63	6205.69	4685.96	1963.48	1697.81	1463.89	1261.75	1063.38	954.49	900.44	954.21	1063.99	1261.75
G 70.0	5365.22	4990.25	3879.37	1901.76	1603.30	1396.01	1279.89	1084.02	902.85	809.33	902.44	1084.93	1279.89
G 75.0	3290.89	3207.39	2687.76	1942.87	1613.89	1510.54	1397.27	1221.37	988.83	849.26	988.76	1221.51	1397.27
G 80.0	4397.82	3657.35	2932.56	2368.44	2132.28	1980.40	1834.70	1759.95	1351.43	949.35	1351.21	1760.43	1834.70
G 85.0	6442.29	5447.51	4600.79	4079.15	3947.67	3737.63	3495.46	3366.03	2730.62	1814.25	2730.34	3366.03	3495.46
G 90.0	0.00	0.00	0.00	0.00	0.00	0.00	0.00	0.00	0.00	0.00	0.00	0.00	0.00



Luminaire

Code PX-0396-GRI
Name APLIQUE BLANCO 6W

Measur.

Code PX-0396-GRI
Name APLIQUE BLANCO 6W

Luminaire Flux	164.45 lm	Luminaire Power	6.00 W	Efficacy	27.41 lm/W	Efficiency	106.00%
Lamps Flux	155.14 lm	Maximum value	332.68 cd/klm	Position	C=270.00 G=10.00	CG	Asymmetrical

Luminance cd/m2 Table 2/3

	C 130.00	C 140.00	C 150.00	C 160.00	C 170.00	C 180.00	C 190.00	C 200.00	C 210.00	C 220.00	C 230.00	C 240.00	C 250.00
G 0.0	31318.52	31318.52	31318.52	31318.52	31318.52	31318.52	31318.52	31318.52	31318.52	31318.52	31318.52	31318.52	31318.52
G 5.0	30452.61	30564.27	30726.06	31008.06	31234.13	31349.55	31457.33	31556.74	31639.84	31717.36	31791.25	31858.26	31915.32
G 10.0	29607.53	29931.85	30286.01	30629.77	31062.43	31486.57	31674.40	31798.00	31982.14	32195.32	32382.02	32513.37	32601.54
G 15.0	29017.94	29394.29	30015.07	30649.79	31201.75	31595.24	31812.43	32118.05	32524.25	32761.42	32730.86	32476.96	32176.14
G 20.0	28658.35	29227.43	29677.68	30324.33	31020.75	31555.05	31892.94	32457.20	32957.30	32508.66	31170.24	29509.85	28273.78
G 25.0	27528.76	28168.98	28891.83	29747.49	30604.22	31331.28	31926.68	32660.97	32666.21	30602.36	28029.18	26425.67	26324.61
G 30.0	25977.47	26544.63	27626.94	28945.13	30045.48	30901.52	31796.32	32374.58	31438.98	28217.62	26607.71	26187.93	25990.32
G 35.0	23795.92	24548.50	26492.50	28121.99	29220.44	30154.01	31202.62	31182.09	29498.27	26963.04	26005.61	25586.78	22931.85
G 40.0	20125.06	23942.30	25490.94	26800.27	27814.48	28620.36	29523.05	28998.72	27553.02	26856.45	23447.52	16789.09	10183.11
G 45.0	13409.45	21312.39	24099.53	24736.91	25055.29	25574.13	25974.32	26332.51	25856.08	22540.58	13782.11	4431.87	4104.68
G 50.0	4315.75	10988.49	21489.01	20709.26	20335.84	20368.78	20795.65	22658.65	22809.64	12301.54	3827.76	3408.63	5443.87
G 55.0	1757.54	6065.39	15050.71	14403.70	13571.31	13810.10	13863.15	16315.24	16577.52	7149.16	3672.34	4970.32	6766.64
G 60.0	1557.24	3109.74	6435.73	7650.67	7586.76	7603.11	8174.32	8552.30	7480.92	4591.36	3702.54	5211.54	5891.60
G 65.0	1463.89	1697.81	1963.48	4640.50	6745.12	6668.63	5167.15	3588.55	2832.86	3020.66	3465.02	3839.55	4207.03
G 70.0	1396.01	1603.30	1901.76	3811.78	5456.20	5365.22	3531.86	2181.30	2191.56	2641.48	3007.23	3155.39	3187.23
G 75.0	1509.81	1615.73	1942.87	2677.60	3233.08	3290.89	3019.85	2688.52	2688.05	3225.87	3406.56	3037.52	2764.23
G 80.0	1977.82	2138.80	2368.44	2896.68	3748.03	4397.82	4108.04	3289.80	3120.96	4384.68	4529.48	3354.25	3205.05
G 85.0	3734.32	3956.04	4079.15	4554.66	5564.09	6442.29	6122.88	5064.39	4997.73	7113.42	7156.03	5095.33	5032.12
G 90.0	0.00	0.00	0.00	0.00	0.00	0.00	0.00	0.00	0.00	0.00	0.00	0.00	0.00

Luminaire

Code PX-0396-GRI
Name APLIQUE BLANCO 6W

Measur.

Code PX-0396-GRI
Name APLIQUE BLANCO 6W

Luminaire Flux	164.45 lm	Luminaire Power	6.00 W	Efficacy	27.41 lm/W	Efficiency	106.00%
Lamps Flux	155.14 lm	Maximum value	332.68 cd/klm	Position	C=270.00 G=10.00	CG	Asymmetrical

Luminance cd/m2 Table 3/3

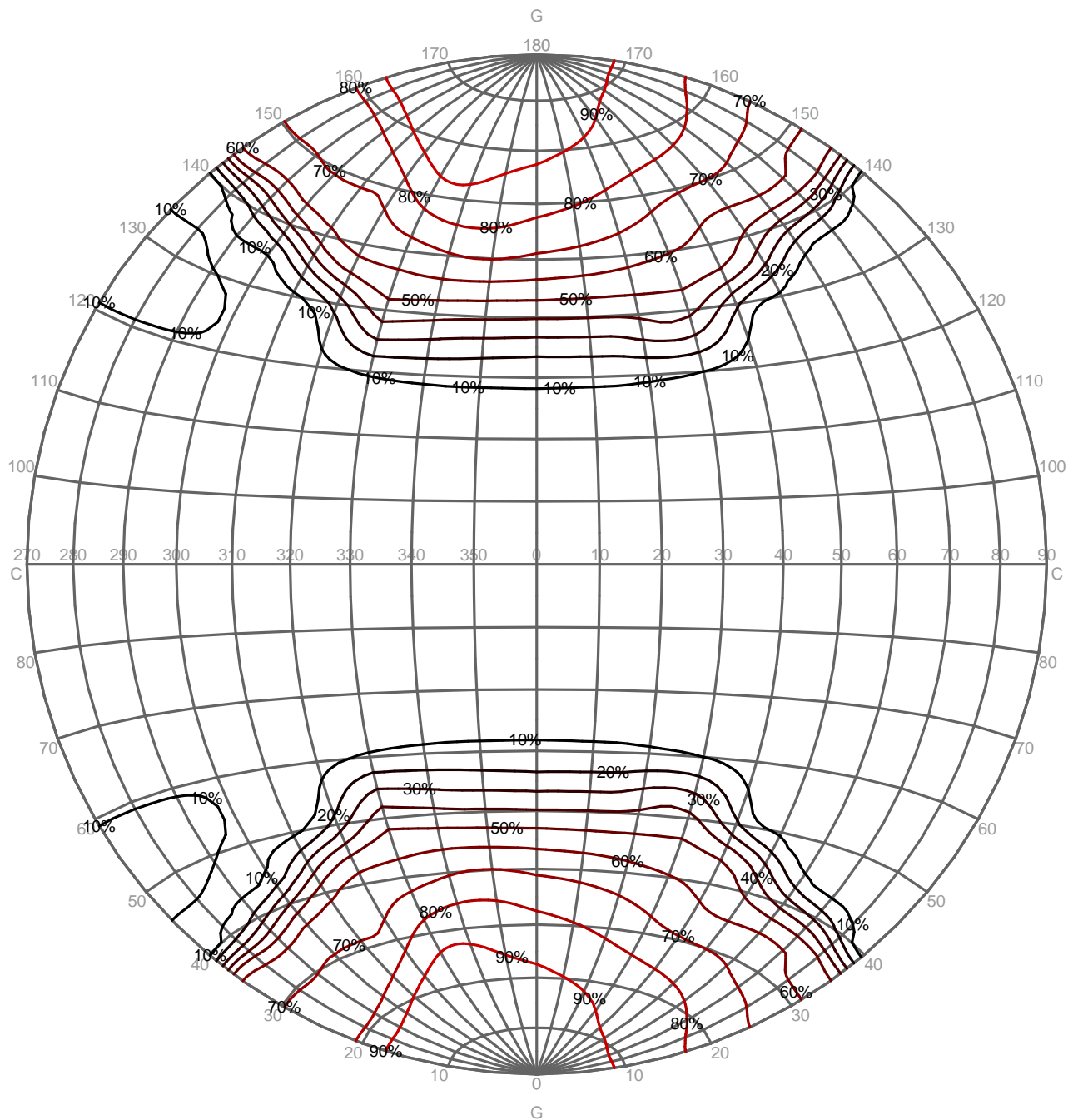
	C 260.00	C 270.00	C 280.00	C 290.00	C 300.00	C 310.00	C 320.00	C 330.00	C 340.00	C 350.00
G 0.0	31318.52	31318.52	31318.52	31318.52	31318.52	31318.52	31318.52	31318.52	31318.52	31318.52
G 5.0	31970.07	32000.38	31970.07	31915.32	31858.26	31791.21	31717.47	31639.84	31556.14	31458.85
G 10.0	32694.70	32755.00	32694.76	32601.41	32513.37	32382.73	32193.51	31982.14	31807.96	31649.23
G 15.0	32127.13	32228.00	32127.18	32176.04	32476.96	32731.39	32760.09	32524.25	32125.38	31793.90
G 20.0	27930.39	27897.31	27840.78	28273.66	29509.85	31170.91	32506.96	32957.30	32466.54	31869.35
G 25.0	26399.18	26522.98	26399.22	26153.22	26425.67	28029.62	30601.23	32666.21	32667.19	31910.98
G 30.0	25893.63	25945.68	25893.63	25990.40	26187.93	26607.71	28218.66	31438.98	32368.85	31810.81
G 35.0	23392.23	25726.35	23392.14	22932.05	25586.78	26004.57	26965.66	29498.27	31167.62	31239.18
G 40.0	5345.76	3480.94	5345.66	10183.34	16789.09	23446.28	26859.58	27553.02	28981.50	29566.58
G 45.0	3928.16	3902.31	4179.20	4104.68	4431.87	13782.61	22539.31	25856.08	26339.49	25956.68
G 50.0	6031.72	5802.20	6031.72	5442.98	3408.63	3832.55	12289.44	22809.64	21609.27	20795.65
G 55.0	7182.76	7329.04	7183.04	6766.04	4970.32	1987.99	7140.93	16577.52	15298.13	14375.66
G 60.0	5887.35	5833.24	5887.20	5891.94	5211.54	3700.75	4595.88	7480.92	8527.39	8237.27
G 65.0	4010.33	3622.28	4010.60	4206.42	3839.55	3468.29	3012.41	2832.86	3634.01	5052.25
G 70.0	3071.06	2953.05	3071.47	3186.32	3155.39	3012.08	2629.22	2191.56	2248.89	3361.05
G 75.0	2665.11	2653.94	2665.17	2764.10	3037.52	3407.29	3224.03	2688.05	2698.68	2994.16
G 80.0	3060.91	2882.29	3061.12	3205.05	3354.25	4532.06	4378.17	3120.96	3325.68	4017.37
G 85.0	4653.57	3900.71	4653.85	5032.12	5095.33	7159.34	7105.05	4997.73	5110.52	6006.30
G 90.0	0.00	0.00	0.00	0.00	0.00	0.00	0.00	0.00	0.00	0.00

Luminaire
 Code PX-0396-GRI
 Name APLIQUE BLANCO 6W
Measur.
 Code PX-0396-GRI
 Name APLIQUE BLANCO 6W

Luminaire Flux	164.45 lm	Luminaire Power	6.00 W	Efficacy	27.41 lm/W	Efficiency	106.00%
Lamps Flux	155.14 lm	Maximum value	332.68 cd/klm	Position	C=270.00 G=10.00	CG	Asymmetrical

PERCENTAGE ISOCANDLES

Projection: Equal Area SLI 9.9 Tight Tilting Angle:0°

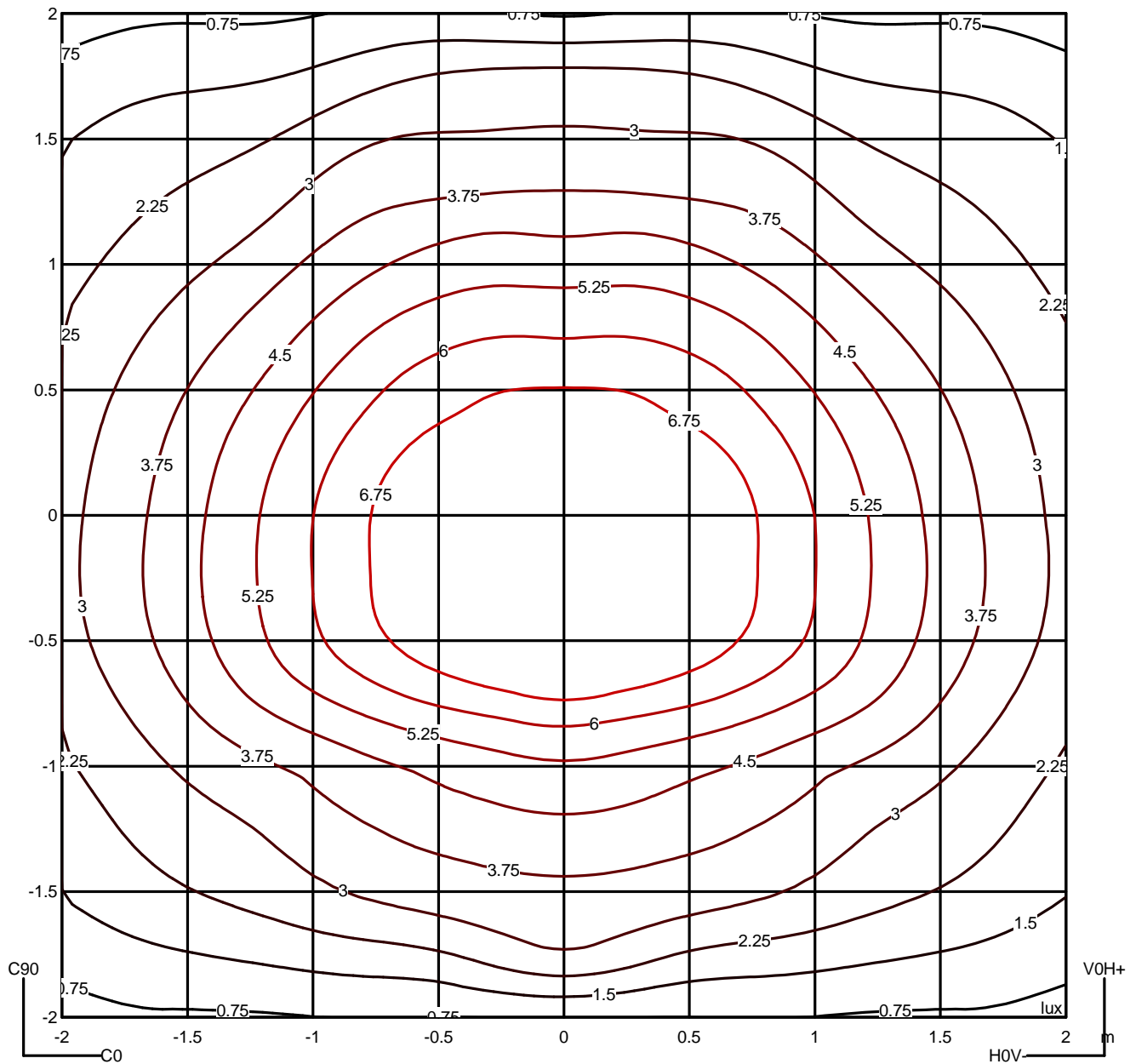


Luminaire
 Code PX-0396-GRI
 Name APLIQUE BLANCO 6W
Measur.
 Code PX-0396-GRI
 Name APLIQUE BLANCO 6W

Luminaire Flux	164.45 lm	Luminaire Power	6.00 W	Efficacy	27.41 lm/W	Efficiency	106.00%
Lamps Flux	155.14 lm	Maximum value	332.68 cd/klm	Position	C=270.00 G=10.00	CG	Asymmetrical

Isolux (Floor)

Luminaire position X=0.00m Y=0.00m Z=2.50m

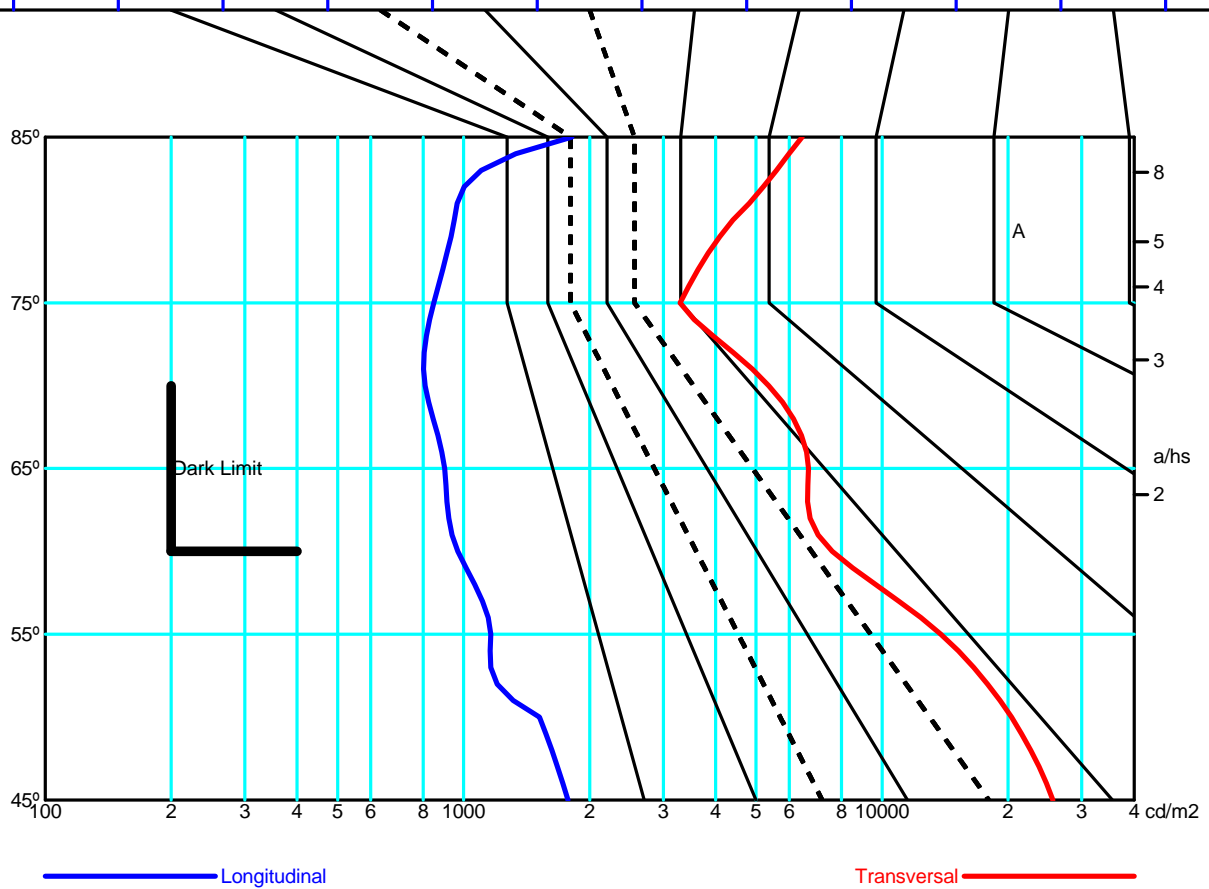


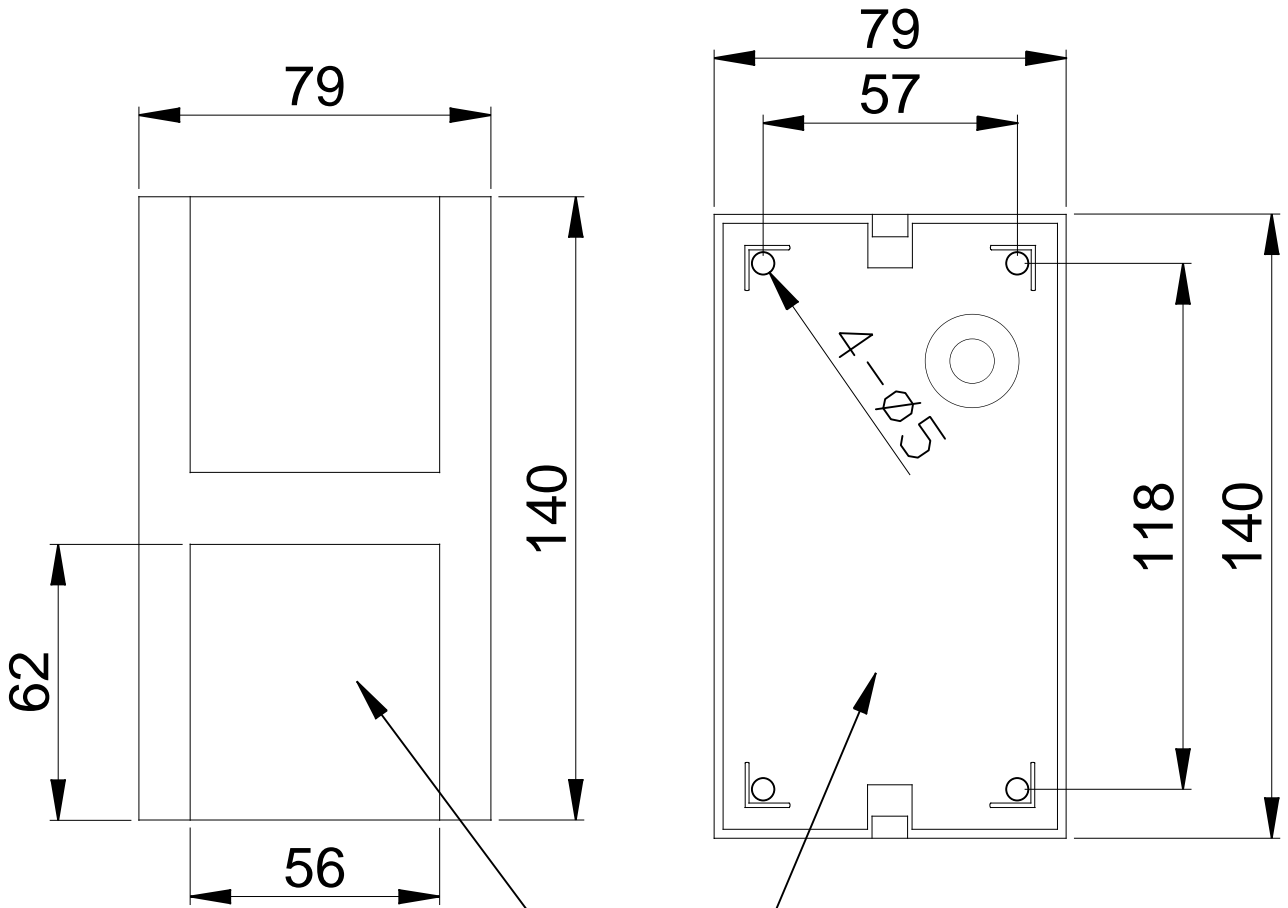
Luminaire
 Code PX-0396-GRI
 Name APLIQUE BLANCO 6W
Measur.
 Code PX-0396-GRI
 Name APLIQUE BLANCO 6W

Luminaire Flux	164.45 lm	Luminaire Power	6.00 W	Efficacy	27.41 lm/W	Efficiency	106.00%
Lamps Flux	155.14 lm	Maximum value	332.68 cd/klm	Position	C=270.00 G=10.00	CG	Asymmetrical

		Average Luminance [cd/m ²]									
		45°	50°	55°	60°	65°	70°	75°	80°	85°	
0.0°	25574	20369	13810	7603	6669	5365	3291	4398	6442	---	
90.0°	1776	1517	1160	969	900	809	849	949	1814	---	

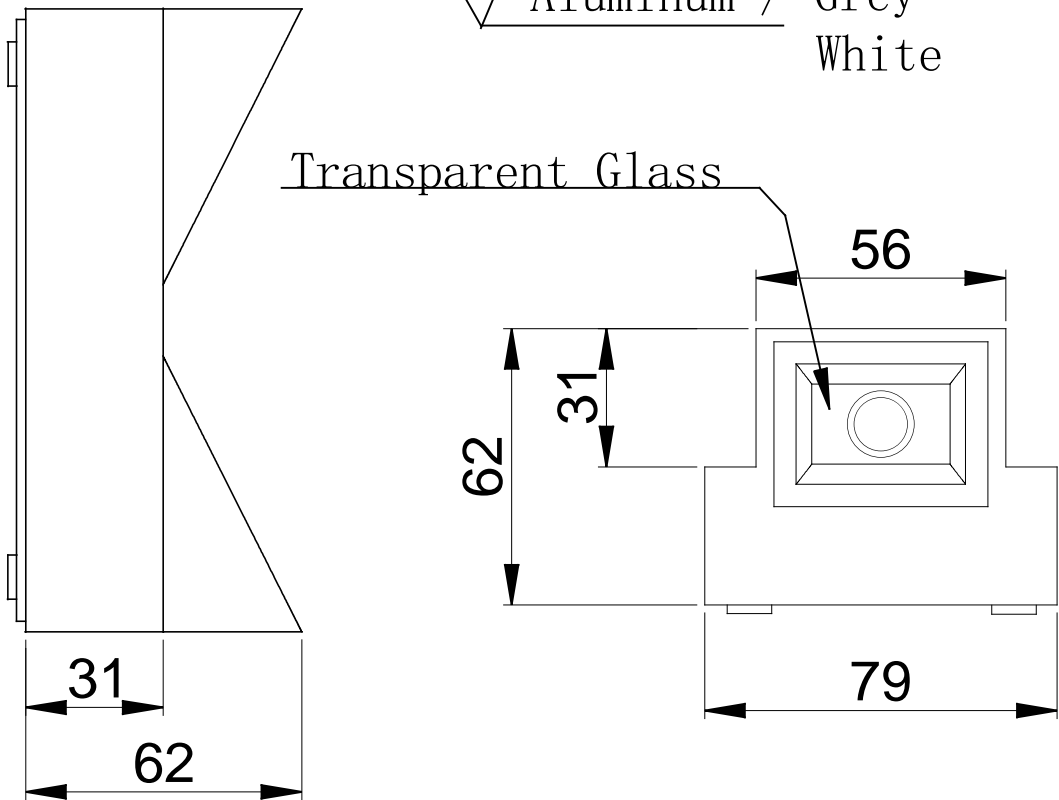
Flush mounted or longitudinal view												
		Illumination(lx)										
A	A	2000	1000	750	500		<300					1.15
B	1		2000	1500	1000	750	500	<300				1.5
C					2000		1000	500	<300			1.85
D	2						2000	1000	500	<300		2.2
E	3							2000	1000	500	<300	2.55

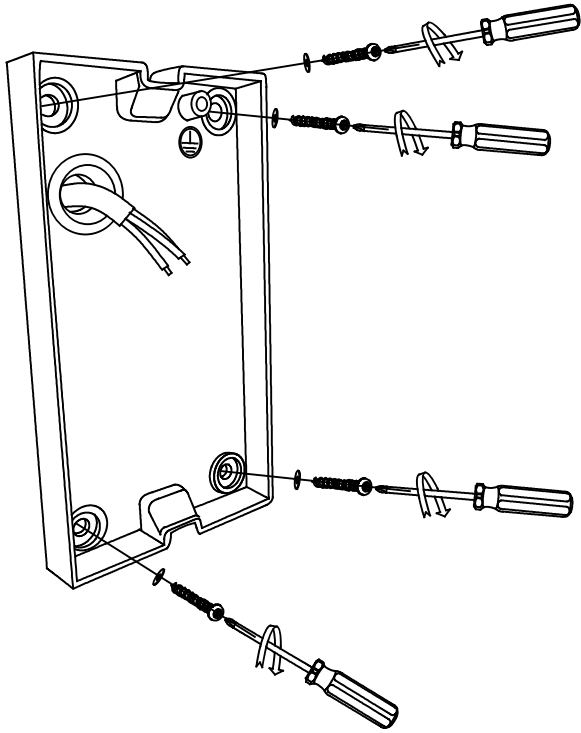
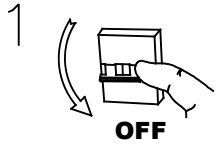




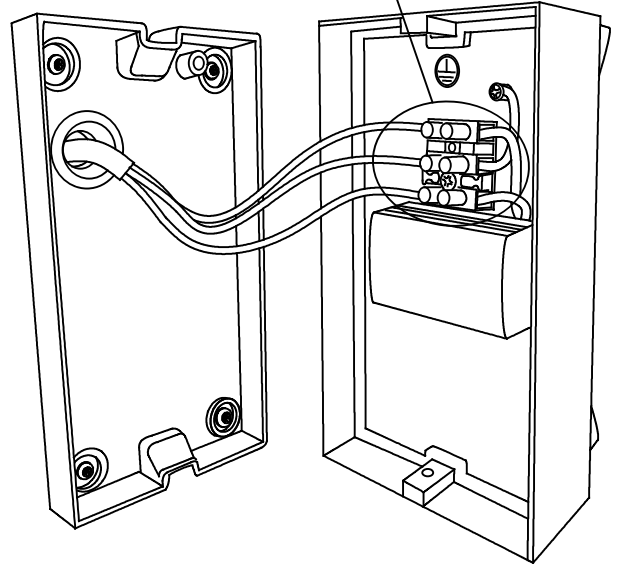
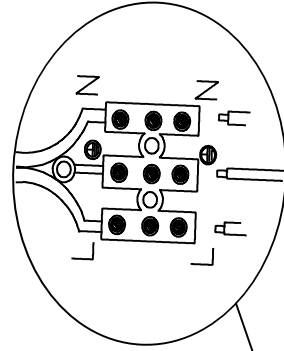
Black
Aluminum / Grey
White

Transparent Glass

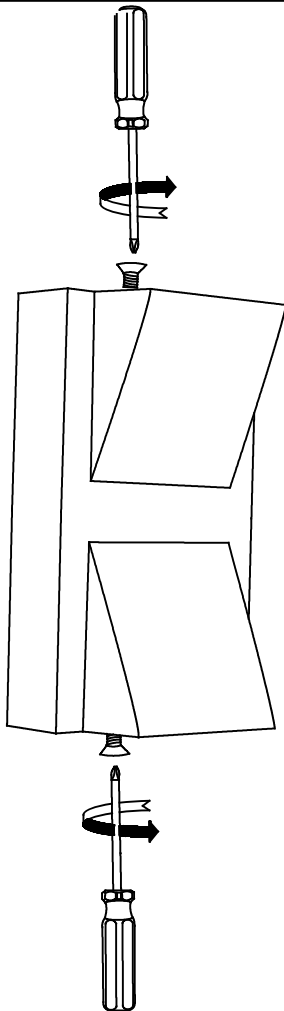




2



3



4

