



TECHNICAL DATA SHEET: LE2TA100-RO FULL MOTION TV WALL MOUNT

The Essentials Series is a range of **simple**, no-fuss **TV mounts** that offer **fully-featured**, easy to use **functionality** at price points that represent **excellent value for money**.

The range is carefully tailored to cover all **LCD, LED and Plasma TV mounting requirements**.

Our designs offer **reduced package size for improved shipping fills**, reducing your carbon footprint. The product packaging also offers easy **merchandising** with simple to shop communicative icons.

Features:

- Triple arm motion for ultimate viewing flexibility and superior strength
- Tool free adjustment of tilt action
- Perfect for corners

13"-23"
33-58CM



Technical Specifications:

Max Load	Distance from wall (Folded)	Distance from wall (Extended)	Swivel Range	Tilt Range	No of Articulation Points	Mounting Pattern	VESA Compatible
25Kg/ 55lbs	62mm/ 2.5"	308 12.1	+/-90°	+15/-5°	4	Single Stud & Solid Wall	75x75 to 100x100



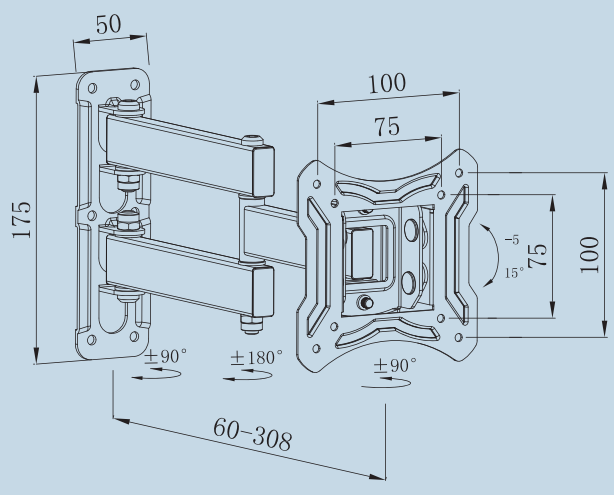


DIMENSIONS & SPECIFICATIONS SHEET: LE2TA100-RO FULL MOTION TV WALL MOUNT

Packed image



Line drawing



All dimensions are in mm

Packaging Information:

Product Number	Description	Product Packaging		Outer Packaging		
		Type	Barcode	Type	Qty in Box	Barcode
LE2TA100-RO	Full Motion TV Wall Mount	Colour Gift Box	5015056 538280	Brown Outer with Label	10	05015056 540467

Weight & Dimensions:

Product			Product Box			Outer Box		
Extended	Folded	Net Weight	Dimensions	Gross Weight	Cubic	Dimensions	Gross Weight	Cubic
12.6 x 17.5 x 30.8 cm	19.3 x 17.5 x 6.4 cm	1.05kg	20.5 x 17.7 x 7 cm	0.12kg	0.0025m ³	37 x 36.5 x 25.2 cm	12.315kg	0.0340m ³
4.96" x 6.98" x 12.13"	7.60" x 6.89" x 2.52"	2.31lbs	8.07" x 6.97" x 2.76"	0.26lbs	0.0897ft ³	14.57" x 14.37" x 9.92"	27.093lbs	1.2018ft ³