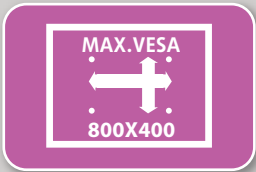




**TECHNICAL DATA SHEET: LP2SRVT-RO  
UNIVERSAL TILTING TV WALL MOUNT**



The Essentials Series is a range of **simple**, no-fuss **TV mounts** that offer **fully-featured**, easy to use **functionality** at price points that represent **excellent value for money**.

The range is carefully tailored to cover all **LCD, LED and Plasma TV mounting requirements**.

Our designs offer **reduced package size for improved shipping fills**, reducing your carbon footprint. The product packaging also offers easy **merchandising** with simple to shop communicative icons.

**Features:**

- Fingertip variable tilt adjustment to reduce screen glare
- Safety locking screw
- Universal split design allows for flexible mounting options



**Technical Specifications:**

Max Load	Distance from wall (Folded)	Distance from wall (Extended)	Swivel Range	Tilt Range	No of Articulation Points	Mounting Pattern	VESA Compatible
50Kg/ 110lbs	67mm/ 2.6"	n/a n/a	n/a	+/-15°	1	Double Stud & Solid Wall	Universal



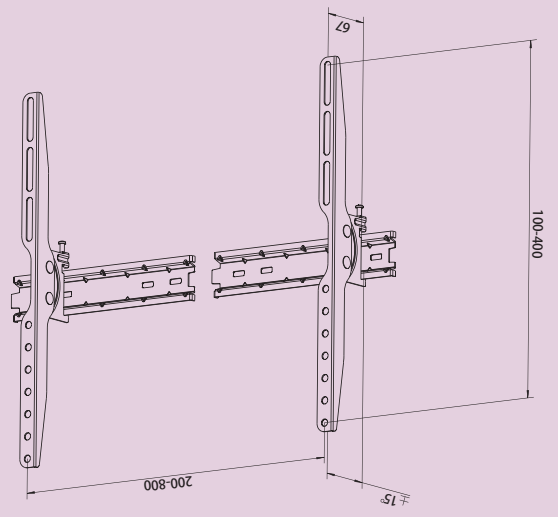


## DIMENSIONS & SPECIFICATIONS SHEET: LP2SRVT-RO-RO UNIVERSAL TILTING TV WALL MOUNT

Packed image



Line drawing



All dimensions are in mm

### Packaging Information:

Product Number	Description	Product Packaging		Outer Packaging		
		Type	Barcode	Type	Qty in Box	Barcode
LP2SRVT-RO	Universal Tilting TV Wall Mount	Colour Gift Box	5015056 538211	Brown Outer with Label	10	05015056 540399

### Weight & Dimensions:

Product			Product Box			Outer Box		
Extended	Folded	Net Weight	Dimensions	Gross Weight	Cubic	Dimensions	Gross Weight	Cubic
49 x 42 x 6.7 cm	n/a	0.960kg	50.5 x 8.5 x 3 cm	0.09kg	0.0013m <sup>3</sup>	52.5 x 18.5 x 19.5 cm	10.925kg	0.0189m <sup>3</sup>
19.29" x 16.54" x 2.64"	n/a	2.112lbs	19.88" x 3.55" x 1.18"	0.25lbs	0.0455ft <sup>3</sup>	20.67" x 7.28" x 7.68"	24.035lbs	0.6688ft <sup>3</sup>