



## TECHNICAL DATA SHEET: LE2SA100-RO TILT & TURN TV WALL MOUNT

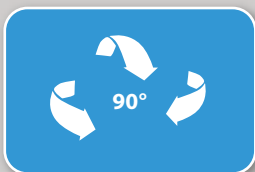
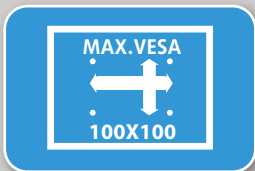
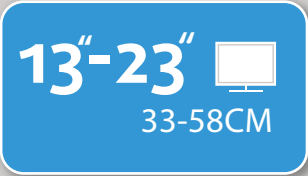
The Essentials Series is a range of **simple**, no-fuss **TV mounts** that offer **fully-featured**, easy to use **functionality** at price points that represent **excellent value for money**.

The range is carefully tailored to cover all **LCD, LED and Plasma TV mounting requirements**.

Our designs offer **reduced package size for improved shipping fills**, reducing your carbon footprint. The product packaging also offers easy **merchandising** with simple to shop communicative icons.

### Features:

- Single arm motion for more flexible viewing
- Easy slide on installation
- Tool free adjustment of tilt action



### Technical Specifications:

Max Load	Distance from wall (Folded)	Distance from wall (Extended)	Swivel Range	Tilt Range	No of Articulation Points	Mounting Pattern	VESA Compatible
25Kg/ 55lbs	62mm/ 2.4"	207 8.1	+/-90°	+15/-5°	3	Single Stud & Solid Wall	75x75 to 100x100



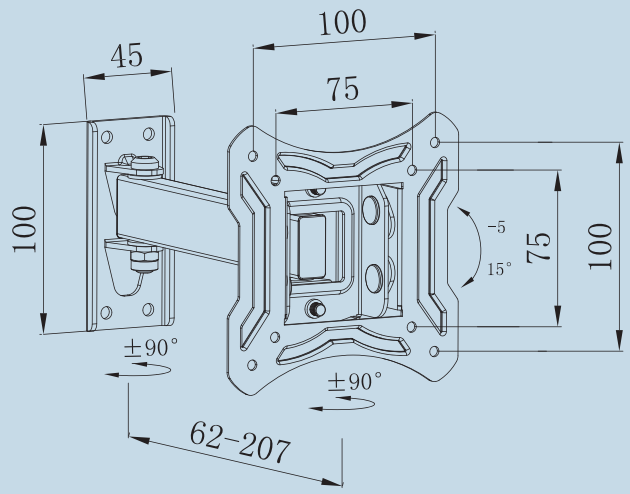


## DIMENSIONS & SPECIFICATIONS SHEET: LE2SA100-RO TILT & TURN TV WALL MOUNT

Packed image



Line drawing



All dimensions are in mm

### Packaging Information:

Product Number	Description	Product Packaging		Outer Packaging		
		Type	Barcode	Type	Qty in Box	Barcode
LE2SA100-RO	Turn & Tilt TV Wall Mount	Colour Gift Box	5015056 538266	Brown Outer with Label	8	05015056 540443

### Weight & Dimensions:

Product			Product Box			Outer Box		
Extended	Folded	Net Weight	Dimensions	Gross Weight	Cubic	Dimensions	Gross Weight	Cubic
12.9 x 12.6 x 20.7 cm	23 x 12.6 x 6.2 cm	0.66kg	24 x 13.5 x 5.5 cm	0.1kg	0.0018m <sup>3</sup>	26.5 x 17.5 x 26.5 cm	7.86kg	0.0123m <sup>3</sup>
5.08" x 4.96" x 8.15"	9.06" x 4.96" x 2.44"	1.452lbs	9.45" x 5.31" x 2.17"	0.22lbs	0.0629ft <sup>3</sup>	10.43" x 6.89" x 10.43"	17.292lbs	0.4340ft <sup>3</sup>