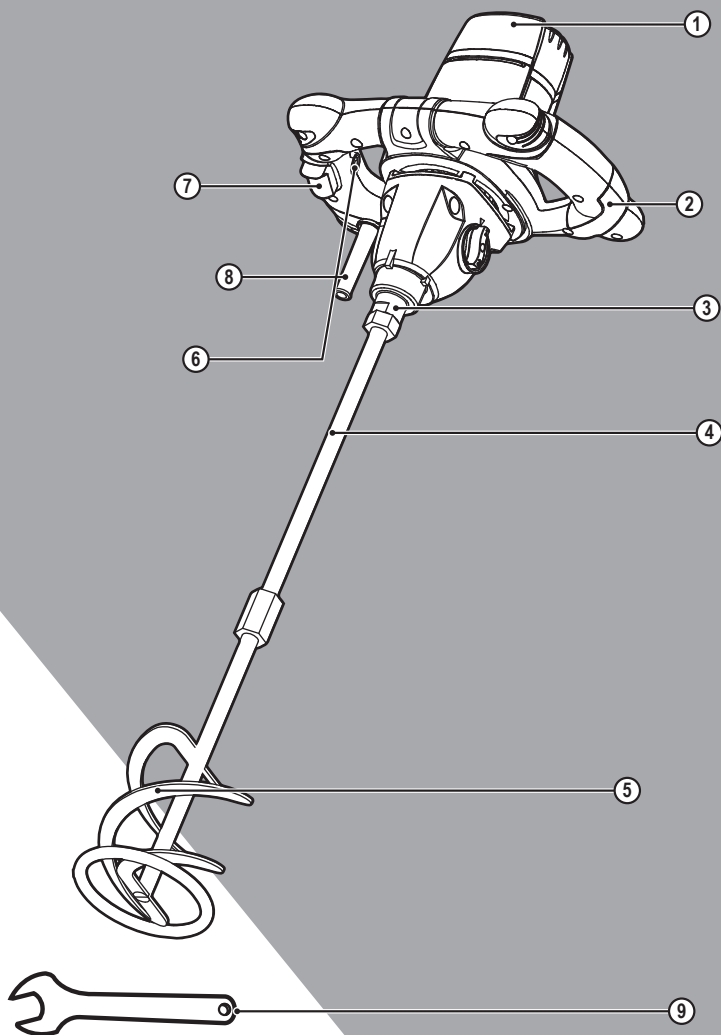


STANLEY®

FATMAX®



www.stanley.eu

FME190

EN

DE

FR

IT

NL

ES

PT

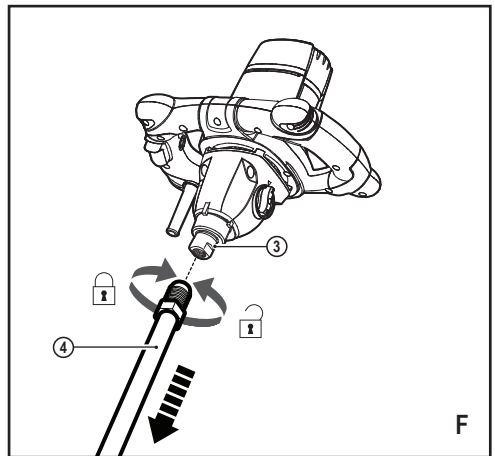
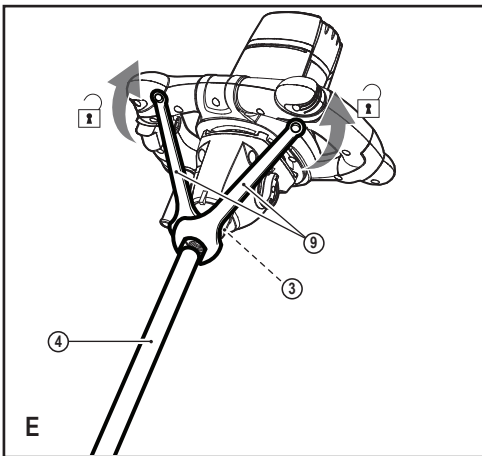
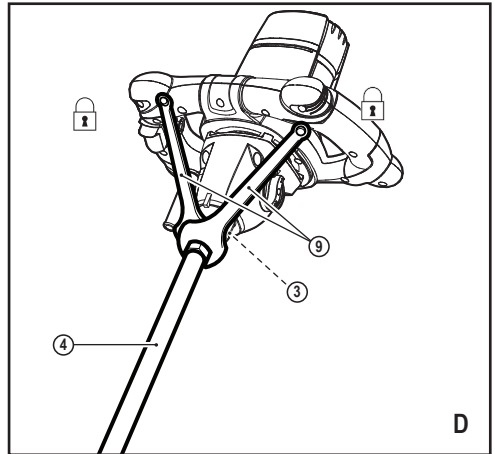
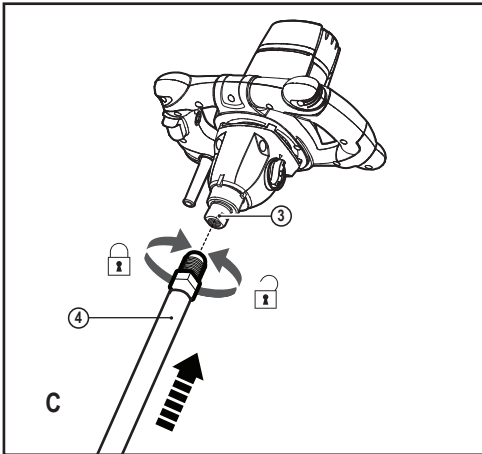
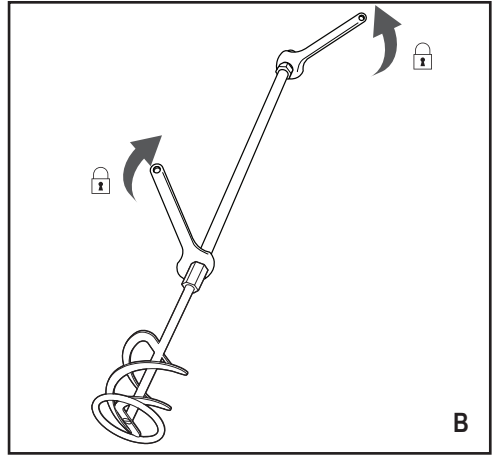
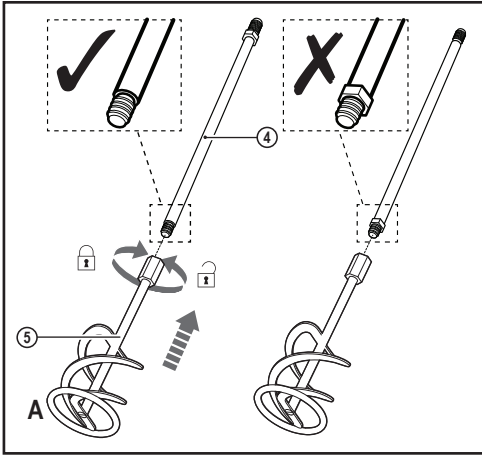
SV

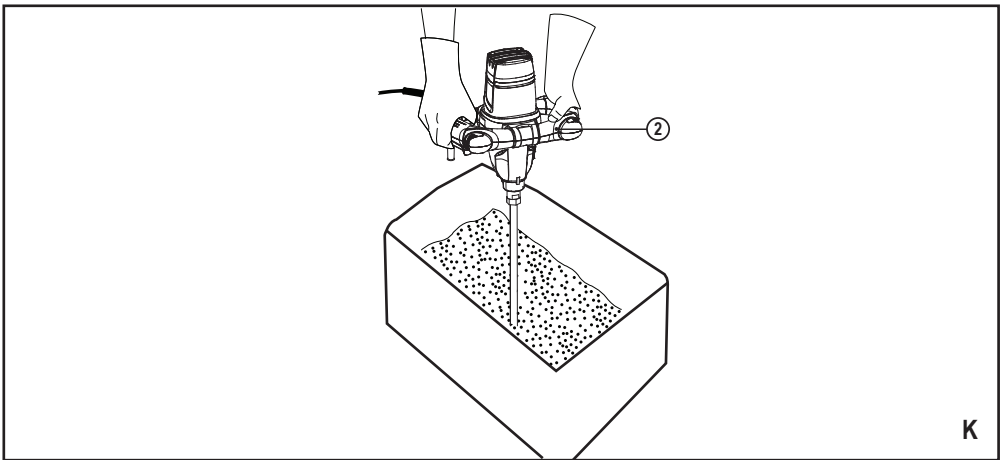
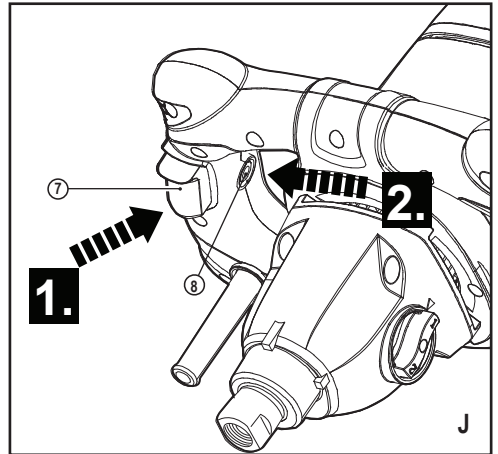
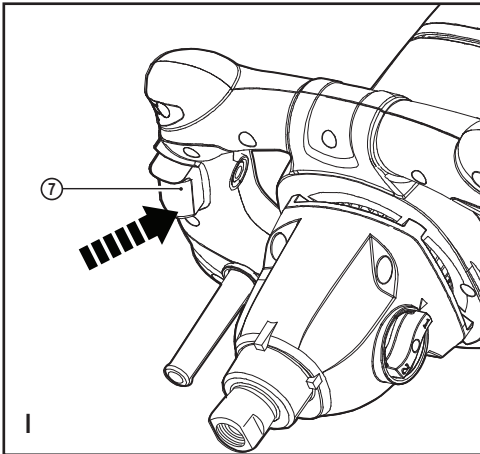
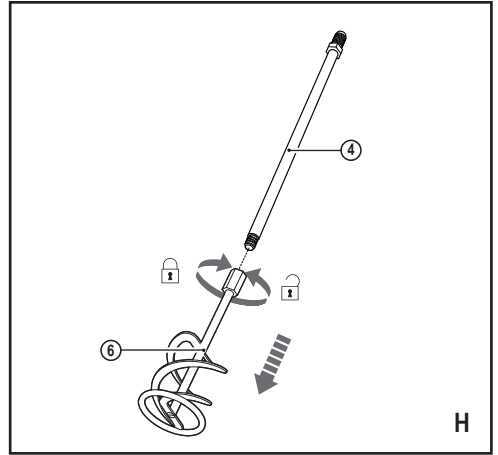
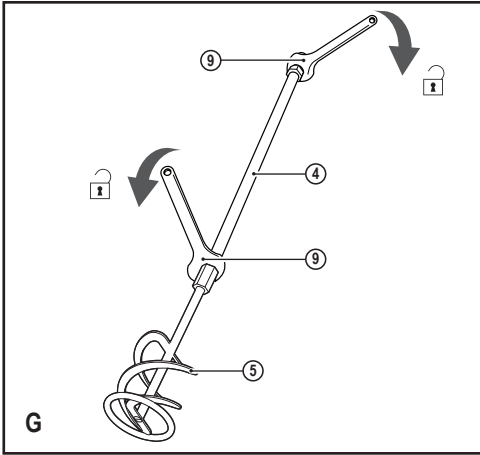
NO

DK

FI

EL





Intended use

Your Stanley Fat Max FME190 Paddle Mixer has been designed for mixing liquid and powdery materials: paints, glue/adhesive, plaster, screed as well as mortar etc. This tool is intended for professional and private, non professional users.

Safety instructions

General power tool safety warnings



Warning! Read all safety warnings and all instructions. Failure to follow the warnings and instructions listed below may result in electric shock, fire and/or serious injury.

Save all warnings and instructions for future reference.

The term "power tool" in all of the warnings listed below refers to your mains operated (corded) power tool or battery operated (cordless) power tool.

1. Work area safety

- a. **Keep work area clean and well lit.** Cluttered or dark areas invite accidents.
- b. **Do not operate power tools in explosive atmospheres, such as in the presence of flammable liquids, gases or dust.** Power tools create sparks which may ignite the dust or fumes.
- c. **Keep children and bystanders away while operating a power tool.** Distractions can cause you to lose control.

2. Electrical safety

- a. **Power tool plugs must match the outlet. Never modify the plug in any way. Do not use any adapter plugs with earthed (grounded) power tools.** Unmodified plugs and matching outlets will reduce risk of electric shock.
- b. **Avoid body contact with earthed or grounded surfaces such as pipes, radiators, ranges and refrigerators.** There is an increased risk of electric shock if your body is earthed or grounded.
- c. **Do not expose power tools to rain or wet conditions.** Water entering a power tool will increase the risk of electric shock.
- d. **Do not abuse the cord. Never use the cord for carrying, pulling or unplugging the power tool. Keep cord away from heat, oil, sharp edges or moving parts.** Damaged or entangled cords increase the risk of electric shock.
- e. **When operating a power tool outdoors, use an extension cord suitable for outdoor use.** Use of a cord suitable for outdoor use reduces the risk of electric shock.
- f. **If operating a power tool in a damp location is unavoidable, use a residual current device (RCD) protected supply.**

Use of an RCD reduces the risk of electric shock.

3. Personal safety

- a. **Stay alert, watch what you are doing and use common sense when operating a power tool. Do not use a power tool while you are tired or under the influence of drugs, alcohol or medication.** A moment of inattention while operating power tools may result in serious personal injury.
 - b. **Use personal protective equipment. Always wear eye protection.** Protective equipment such as dust mask, non-skid safety shoes, hard hat, or hearing protection used for appropriate conditions will reduce personal injuries.
 - c. **Prevent unintentional starting. Ensure the switch is in the off-position before connecting to power source and/or battery pack, picking up or carrying the tool.** Carrying power tools with your finger on the switch or energising power tools that have the switch on invites accidents.
 - d. **Remove any adjusting key or wrench before turning the power tool on.** A wrench or a key left attached to a rotating part of the power tool may result in personal injury.
 - e. **Do not overreach. Keep proper footing and balance at all times.** This enables better control of the power tool in unexpected situations.
 - f. **Dress properly. Do not wear loose clothing or jewellery. Keep your hair, clothing and gloves away from moving parts.** Loose clothes, jewellery or long hair can be caught in moving parts.
 - g. **If devices are provided for the connection of dust extraction and collection facilities, ensure these are connected and properly used.** Use of dust collection can reduce dust-related hazards.
- #### 4. Power tool use and care
- a. **Do not force the power tool. Use the correct power tool for your application.** The correct power tool will do the job better and safer at the rate for which it was designed.
 - b. **Do not use the power tool if the switch does not turn it on and off.** Any power tool that cannot be controlled with the switch is dangerous and must be repaired.
 - c. **Disconnect the plug from the power source and/or the battery pack from the power tool before making any adjustments, changing accessories, or storing power tools.** Such preventive safety measures reduce the risk of starting the power tool accidentally.
 - d. **Store idle power tools out of the reach of children and do not allow persons unfamiliar with the power tool or these instructions to operate the power tool.** Power tools are dangerous in the hands of untrained users.

- e. **Maintain power tools. Check for misalignment or binding of moving parts, breakage of parts and any other condition that may affect the power tools operation. If damaged, have the power tool repaired before use.** Many accidents are caused by poorly maintained power tools.
- f. **Keep cutting tools sharp and clean.** Properly maintained cutting tools with sharp cutting edges are less likely to bind and are easier to control.
- g. **Use the power tool, accessories and tool bits etc. In accordance with these instructions, taking into account the working conditions and the work to be performed.** Use of the power tool for operations different from those intended could result in a hazardous situation.
5. **Service**
- a. **Have your power tool serviced by a qualified repair person using only identical replacement parts.** This will ensure that the safety of the power tool is maintained.

Additional power tool safety warnings for paddle mixer.

- ◆ Never clamp the product into a vice or to a work bench to use as a stationary tool. This may cause serious injury.
- ◆ Switch the product off immediately if the tool attachment jams. Be prepared for high reaction torques, which could cause kickbacks. The tool attachment will jam if the product is overloaded or becomes twisted in the workpiece.
- ◆ Wear protective clothing, dust masks and protective gloves when using this product. While this product is being used, dust may be created or splashing may occur and material or liquids may be flung around. Many types of dust are deemed to be carcinogenic.
- ◆ Always operate the product with both hands on the handles. Keep a firm grip on the handles and ensure your footing is secure on a stable, level and dry ground. Loss of control over the product can cause personal injury.
- ◆ Do not use this product to process substance which is highly flammable or potentially explosive such as solvents. Using this product will create sparks which can ignite vapours.
- ◆ Use this product indoors only. Moisture and rain can damage the product or can lead to electrocution. from the power supply, if stirred material penetrates into the inside of the product or if the product falls into the material being stirred. Have the product inspected by a professional electrician. Stirred material and moisture can damage the product or lead to electrocution, if they penetrate inside the product.
- ◆ Do not work with any substances which are harmful to health. Many materials are noxious when they are processed.

Do not breathe in any unhealthy substances and avoid contact with your skin. Follow the manufacturers' instructions and wear suitable personal protective equipment.

- ◆ Wait until the product has come to a complete standstill, before removing it from the material being stirred and putting it down. The bucket can get jammed or stirred material can be flung around. This can lead to a loss of control over the product.

Residual risks.

Even with the application of the relevant safety regulations and the implementation of safety devices, certain residual risks can not be avoided. These include:

- ◆ Injuries caused by touching any rotating/moving parts.
- ◆ Impairment of hearing.
- ◆ Risk of injury when changing any parts, or accessories.
- ◆ Health hazards caused by breathing dust developed when sawing wood, especially oak, beech and MDF.
- ◆ Injuries caused by prolonged use of a tool. When using any tool for prolonged periods ensure you take regular breaks.

Safety of others

- ◆ This appliance is not intended for use by persons (including children) with reduced physical, sensory or mental capabilities, or lack of experience and knowledge, unless they have been given supervision or instruction concerning use of the appliance by a person responsible for their safety.
- ◆ Children should be supervised to ensure that they do not play with the appliance.

Vibration

The declared vibration emission values stated in the technical data and the declaration of conformity have been measured in accordance with a standard test method provided by EN 60745 and may be used for comparing one tool with another. The declared vibration emission value may also be used in a preliminary assessment of exposure.

Warning! The vibration emission value during actual use of the power tool can differ from the declared value depending on the ways in which the tool is used. The vibration level may increase above the level stated. When assessing vibration exposure to determine safety measures required by 2002/44/EC to protect persons regularly using power tools in employment, an estimation of vibration exposure should consider, the actual conditions of use and the way the tool is used, including taking account of all parts of the operating cycle such as the times when the tool is switched off and when it is running idle in addition to the trigger time.

Labels on tool

The following pictograms along with the date code are shown on the tool:



Warning! To reduce the risk of injury, the user must read the instruction manual.



Wear safety glasses or goggles.



Wear ear protection.



Wear a dust mask.



Wear gloves when handling blades.

Electrical safety



This tool is double insulated; therefore no earth wire is required. Always check that the power supply corresponds to the voltage on the rating plate.

- ◆ Inspect tool cords periodically. If the supply cord is damaged, it must be replaced by the manufacturer or an authorised Stanley Fat Max Service Centre in order to avoid a hazard.

Voltage drops

Inrush currents cause short-time voltage drops. Under unfavourable power supply conditions, other equipment may be affected. If the system impedance of the power supply is lower than 0.34Ω , disturbances are unlikely to occur.

Using an extension cable

- ◆ Always use an approved extension cable suitable for the power input of this tool (see technical data). Before use, inspect the extension cable for signs of damage, wear and ageing.
- ◆ Replace the extension cable if damaged or defective. When using a cable reel, always unwind the cable completely. Use of an extension cable not suitable for the power input of the tool or which is damaged or defective may result in a risk of fire and electric shock.

Features

This tool includes some or all of the following features.

1. Air vents
2. Handle (left & right)
3. Socket
4. Shaft
5. Stirrer

6. lock-on button
7. Variable speed switch
8. Power cord with plug
9. Mounting spanner 22mm (x 2)

Assembly. Unpacking.

- ◆ Unpack all parts and lay them on a flat, stable surface.
- ◆ Remove all packing materials and shipping devices, if applicable.
- ◆ Make sure the delivery contents are complete and free of any damage. If you find that parts are missing or show damage do not use the product but contact your dealer. Using an incomplete or damaged product represents a hazard to people and property.
- ◆ Ensure that you have all the accessories and tools needed for assembly and operation. This also includes suitable personal protective equipment.

Warning! The product and the packaging are not children's toys! Children must not play with plastic bags, sheets and small parts! There is a danger of choking and suffocation!

Setup

Warning! The product must be fully assembled before operation! Do not use a product that is only partly assembled or assembled with damaged parts! Follow the assembly instructions step-by-step and use the pictures provided as a visual guide to easily assemble the product! Do not connect the product to power supply before it is completely assembled!

Stirrer

Warning! Stirrers are available in different types and with different shape and diameters. Always use the correct stirrer according to the intended use! Observe the technical requirements of this product (see section "Technical specifications") when purchasing and using stirrer! Stirrer becomes hot during use! Handle them carefully! Wear protective gloves when handling stirrer in order to avoid injuries like burns and cuts!

Attaching (Fig.A, Fig.B, Fig.C, Fig.D)

- ◆ Align the stirrer (5) with the shaft (4). Screw the stirrer (5) clockwise onto the lower end of the shaft (4) (Fig. A).
- ◆ Lock the welded nut of the shaft (4) with one mounting spanner (9) and secure the stirrer (5) clockwise with the other (9) gripping the welded nut (Fig. B).

Note! Tighten the connection hand tight at first, before using the spanners.

- ◆ Align the shaft (4) with the socket (3). Screw the shaft end with welded nut clockwise into the socket (3) (Fig. C).
- ◆ Lock the socket (3) with one mounting spanner (9) and secure the shaft (4) clockwise with another mounting spanner (9) gripping the welded nut (Fig. D).

Note! Tighten the connection hand tight at first, before using the spanners.

Removing/Replacing (Fig.E, Fig.F)

- ◆ Lock the socket (3) with one mounting spanner (9) and loosen the shaft (4) anticlockwise with another mounting spanner (9) gripping the welded nut (Fig. E).
- ◆ Loosen the welded nut anticlockwise (Fig. F) and remove the shaft (4) from the socket (3) (Fig. F)

Stirrer (Fig.G, Fig.H)

- ◆ Lock the welded nut of the shaft (4) with one mounting spanner (9) and loosen the stirrer (5) anticlockwise with another mounting spanner (9) gripping the welded nut (Fig. G).
- ◆ Loosen the welded nut anticlockwise (Fig. H) and remove the stirrer (5) from the shaft (4) (Fig. H).
- ◆ Attach a new shaft/stirrer as required.

Use

Variable speed switch (Fig.I)

Operate the product either in instant or continuous mode.

Instant Mode

- ◆ Switch the product on by pressing the variable speed switch (7) (Fig. I).
- ◆ Switch the product off by releasing the variable speed switch (7).

Continuous mode

- ◆ Switch the product on by pressing the variable speed switch (7) and hold it in position (Fig. J, step 1).
- ◆ Press the lock-on button (6) and hold it in position to lock the variable speed switch (7) (Fig. I, step 2).
- ◆ Release the lock-on button (6) and variable speed switch (8). The variable speed switch is now locked on for continuous use.
- ◆ Depress and release the variable speed switch (7) to switch the product off.

General operation

- ◆ Check the product, its power cord and plug as well as accessories for damage before each use. Do not use the product if it is damaged or shows wear.
- ◆ Double check that the accessories and attachments are properly fixed.
- ◆ Always hold the product on its handles. Keep the handles dry to ensure safe support.
- ◆ Ensure that the air vents are always unobstructed and clear. Clean them if necessary with a soft brush. Blocked air vents may lead to overheating and damage the product.

- ◆ Switch the product off immediately if you are disturbed while working by other people entering the working area. Always let the product come to complete stop before putting it down.
- ◆ Do not overwork yourself. Take regular breaks to ensure you can concentrate on the work and have full control over the product.

Mixing (Fig.K)

Warning! During operation fine dust will be generated!

Some dusts are highly inflammable and explosive! Do not smoke during operation, keep heat sources and open flames out of the working area! Always wear a dust mask to protect yourself against hazards resulting from fine dust!

The stirrer will come to a stop during operation if the material is too firm! Switch the product off, lift the stirrer out of the material and inspect the material before using the product again! A blocked stirrer may cause overheating of the motor. Hold the product firmly during operation. Do not let the stirrer touch the bucket! This can cause damage to the stirrer and bucket!

- ◆ Hold the product with 2 hands on both handles (2) and insert the stirrer (5) into the material (Fig. M).
- ◆ Gently press variable speed trigger switch to start operation at a low speed.
- ◆ Move the stirrer through the material until it is evenly and completely mixed.
- ◆ Switch the product off. Let the stirrer come to a complete stop before lifting it out of the mixing material.

Warning: Switch the product off, let it come to a complete stop and disconnect it from the power supply if the stirrer gets stuck in the mixing material. Only then free the jammed attachment.

After use

Warning: Always switch the product off, disconnect the product from the power supply and let the product cool down before performing inspection, maintenance and cleaning work!

Cleaning

- ◆ Keep the product clean. Remove debris from it after each use and before storage.
- ◆ Regular and proper cleaning will help ensure safe use and prolong the life of the product.
- ◆ Inspect the product before each use for worn and damaged parts. Do not operate it if you find broken and worn parts.

Warning: Only perform repairs and maintenance work according to these instructions! All further works must be performed by a qualified specialist!

- ◆ Clean the product with a dry cloth. Use a brush for areas that are hard to reach.

- ◆ In particular clean the air vents (1) after every use with a cloth and brush.
- ◆ Remove stubborn dirt with high pressure air (max. 3 bar).

Note: Do not use chemical, alkaline, abrasive or other aggressive detergents or disinfectants to clean this product as they might be harmful to its surfaces.

- ◆ Check for worn or damaged parts. Replace worn parts as necessary or contact an authorised service centre for repair before using the product again.

Maintenance

- ◆ Before and after each use, check the product and accessories (or attachments) for wear and damage. If required, exchange them for new ones as described in this instruction manual. Observe the technical requirements.

Repair

This product does not contain any parts that can be repaired by the consumer. Contact an authorised service centre or a similarly qualified person to have it checked and repaired.

Storage

- ◆ Switch the product off and disconnect it from the power supply.
- ◆ Clean the product as described above.
- ◆ Store the product and its accessories in a dark, dry, frost-free, well-ventilated place.
- ◆ Always store the product in a place that is inaccessible to children. The ideal storage temperature is between 10°C and 30°C.
- ◆ We recommend using the original package for storage or covering the product with a suitable cloth or enclosure to protect it against dust.

Transportation

- ◆ Switch the product off and disconnect it from the power supply.
- ◆ Attach transportation guards, if applicable.
- ◆ Always carry the product by its handles (2).
- ◆ Protect the product from any heavy impact or strong vibrations which may occur during transportation in vehicles.
- ◆ Secure the product to prevent it from slipping or falling over.

Troubleshooting

Suspected malfunctions are often due to causes that the users can fix themselves. Therefore check the product using this section. In most cases the problem can be solved quickly.

Problem	Possible Cause	Solution
Product does not start	Not connected to power supply	Connect to power supply
	Power cord or plug is defective	Check by a specialist electrician
	Other electrical defect to the product	Check by a specialist electrician
Product does not reach full power	Extension cord not suitable for operation with this product	Use a proper extension cord
	Power source (e.g. generator) has too low voltage	Connect to another power source
	Air vents are blocked	Clean the air vents
Unsatisfactory result	Stirrer is worn	Replace with new one
	Stirrer not suitable for material to be mixed	Use proper stirrer

Protecting the environment



Separate collection. This product must not be disposed of with normal household waste.

Should you find one day that your Stanley Fat Max product needs replacement, or if it is of no further use to you, do not dispose of it with household waste. Make this product available for separate collection.



Separate collection of used products and packaging allows materials to be recycled and used again. Re-use of recycled materials helps prevent environmental pollution and reduces the demand for raw materials.

Local regulations may provide for separate collection of electrical products from the household, at municipal waste sites or by the retailer when you purchase a new product.

Stanley Europe provides a facility for the collection and recycling of Stanley Fat Max products once they have reached the end of their working life. To take advantage of this service please return your product to any authorised repair agent who will collect them on our behalf.

You can check the location of your nearest authorised repair agent by contacting your local Stanley Europe office at the address indicated in this manual. Alternatively, a list of authorised Stanley Europe repair agents and full details of our after-sales service and contacts are available on the Internet at: www.2helpU.com

Technical data

FME190	
Rated voltage, frequency	220 – 240 V-, 50 Hz
Rated power input	1600 W
Rated no load speed n_0	180 - 460rpm 300-750rpm
Diameter of stirrer	Ø 140mm
Coupling thread	M14 x 2
Mixture volume	max. 120L
Max torque	80 Nm
Protection class	Class II
Weight	approx. 5.1 kg

Sound pressure level L_{pA}	84 dB (A)
Sound power level L_{WA}	95 dB (A)
Uncertainty K_{pA} , K_{WA}	3 dB (A)
>ah	4.24 m/s ²

EC declaration of conformity

MACHINERY DIRECTIVE



FME190 Paddle mixer

Stanley Europe declares that these products described under "technical data" are in compliance with:
2006/42/EC, EN 60745-1:2009 + A11:2010,
EN 60745-2-11: 2010

These products also comply with Directive 2004/108/EC (until 19/04/2016) 2014/30/EU (from 20/04/2016) and 2011/65/EU. For more information, please contact Stanley Europe at the following address or refer to the back of the manual.

The undersigned is responsible for compilation of the technical file and makes this declaration on behalf of Stanley Europe.

Ray Laverick
Engineering Manager
Stanley Europe, Egide Walschaertsstraat14-18,
2800 Mechelen, Belgium
01/26/2015

Guarantee

Stanley Europe is confident of the quality of its products and offers an outstanding guarantee for professional users of the product. This guarantee statement is in addition to and in no way prejudices your contractual rights as a private non-professional user. The guarantee is valid within the territories of the Member States of the European Union and the European Free Trade Area.

ONE-YEAR FULL WARRANTY

If your Stanley Fat Max product becomes defective due to faulty materials or workmanship within 12 months from the date of purchase, Stanley Europe guarantees to replace all defective parts free of charge or – at our discretion – replace the unit free of charge provided that:

- ◆ The product has not been misused and has been used in accordance with the instruction manual.
- ◆ The product has been subject to fair wear and tear;
- ◆ Repairs have not been attempted by unauthorised persons;
- ◆ Proof of purchase is produced.
- ◆ The Stanley Fat Max product is returned complete with all original components

If you wish to make a claim, contact your seller or check the location of your nearest authorised Stanley Fat Max repair agent in the Stanley Fat Max catalogue or contact your local Stanley office at the address indicated in this manual. A list of authorised Stanley Fat Max repair agents and full details of our after sales service is available on the internet at: www.stanley.eu/3

Verwendungszweck

Mit Ihrem Stanley Fat Max FME190 Rührwerk können Sie flüssige und pulverförmige Materialien mischen: Farben, Kleber/Klebstoffe, Gips, Estrich sowie Mörtel usw. Mit diesem Werkzeug können sowohl professionelle als auch private, nicht professionelle Nutzer arbeiten.

Sicherheitshinweise

Allgemeine Sicherheitswarnhinweise für Elektrowerkzeuge



Warnung! Lesen Sie alle Sicherheitswarnhinweise und alle Anweisungen. Das Nichtbeachten der im Folgenden aufgeführten Warnhinweise und Anweisungen kann zu elektrischem Schlag, Brand und/oder schweren Verletzungen führen.

Bewahren Sie alle Warnhinweise und Anweisungen zum späteren Nachschlagen auf. Der Begriff „Elektrowerkzeug“ in den folgenden Warnhinweisen bezieht sich auf Ihr netzbetriebenes Elektrowerkzeug (mit Kabel) oder auf Ihr akkubetriebenes (kabelloses) Elektrowerkzeug.

1. Sicherheit im Arbeitsbereich

- a. **Halten Sie den Arbeitsbereich sauber und gut ausgeleuchtet.** Unaufgeräumte oder dunkle Bereiche begünstigen Unfälle.
- b. **Betreiben Sie das Elektrowerkzeug nicht in explosionsgefährdeten Umgebungen, in denen sich z. B. brennbare Flüssigkeiten, Gase oder Stäube befinden.** Elektrowerkzeuge erzeugen Funken, die den Staub oder die Dämpfe entzünden können.
- c. **Halten Sie Kinder und Zuschauer fern, während Sie ein Elektrogerät betreiben.** Ablenkung kann dazu führen, dass Sie die Kontrolle über das Gerät verlieren.

2. Elektrische Sicherheit

- a. **Der Stecker des Elektrogerätes muss in die Steckdose passen. Ändern Sie niemals den Stecker in irgendeiner Form. Verwenden Sie keinerlei Adapterstecker an geerdeten Elektrogeräten.** Unveränderte Stecker und passende Steckdosen mindern die Gefahr eines elektrischen Schlages.
- b. **Vermeiden Sie Körperkontakt mit geerdeten Flächen, wie Rohre, Radiatoren, Herde und Kühlgeräte.** Es besteht eine erhöhte Gefahr für einen elektrischen Schlag, wenn Ihr Körper geerdet ist.
- c. **Setzen Sie Elektrogeräte keinem Regen oder feuchter Umgebung aus.** Wenn Wasser in das Elektrogerät eindringt, erhöht sich die Gefahr eines elektrischen Schlages.

- d. **Überlasten Sie das Kabel nicht. Verwenden Sie niemals das Kabel, um das Elektrogerät zu tragen oder durch Ziehen vom Netz zu trennen. Halten Sie das Kabel fern von Hitze, Öl, scharfen Kanten oder beweglichen Teilen.** Beschädigte oder verhedderte Kabel erhöhen die Gefahr eines elektrischen Schlages.
- e. **Wenn Sie ein Elektrogerät im Freien betreiben, verwenden Sie ein für den Außeneinsatz geeignetes Verlängerungskabel.** Die Verwendung von für den Außeneinsatz geeigneten Kabeln mindert die Gefahr eines elektrischen Schlages.
- f. **Wenn der Betrieb eines Elektrogerätes in feuchter Umgebung unumgänglich ist, verwenden Sie eine durch einen Fehlerstromschutzschalter (FI-Schalter oder RCD) geschützte Stromversorgung.** Der Einsatz eines Fehlerstromschutzschalters mindert die Gefahr eines elektrischen Schlages.

3. Persönliche Sicherheit

- a. **Seien Sie aufmerksam, achten Sie darauf, was Sie tun, und gehen Sie mit Vernunft an die Arbeit mit einem Elektrowerkzeug. Benutzen Sie kein Elektrowerkzeug, wenn Sie müde sind oder unter dem Einfluss von Drogen, Alkohol oder Medikamenten stehen.** Ein Moment der Unachtsamkeit beim Betrieb eines Elektrogerätes kann zu schweren Verletzungen führen.
- b. **Tragen Sie persönliche Schutzausrüstung. Tragen Sie immer einen Augenschutz.** Das Tragen den Umständen entsprechender persönlicher Schutzausrüstung, wie Staubmaske, rutschfeste Sicherheitsschuhe, Schutzhelm oder Gehörschutz, verringert das Risiko von Verletzungen.
- c. **Vermeiden Sie unbeabsichtigtes Starten. Vergewissern Sie sich, dass der Schalter in der AUS-Position ist, bevor Sie das Gerät an die Stromversorgung und/oder an den Akku anschließen oder wenn Sie das Gerät aufnehmen oder tragen.** Wenn Sie beim Tragen des Elektrowerkzeuges den Finger am Schalter haben oder das Gerät eingeschaltet an die Stromversorgung anschließen, kann dies zu Unfällen führen.
- d. **Entfernen Sie alle Einstellschlüssel oder Werkzeuge, bevor Sie das Elektrogerät einschalten.** Werkzeuge oder Schlüssel, die an rotierenden Teilen des Elektrogerätes angebracht sind, können zu Verletzungen führen.
- e. **Vermeiden Sie eine anormale Körperhaltung. Sorgen Sie für einen sicheren Stand und halten Sie jederzeit das Gleichgewicht.** Dadurch können Sie das Elektrowerkzeug in unerwarteten Situationen besser kontrollieren.
- f. **Tragen Sie geeignete Kleidung. Tragen Sie keine weite Kleidung und keinen Schmuck.**

Halten Sie Ihre Haare, Kleidung und Handschuhe von beweglichen Teilen fern. Lose sitzende Kleidung, Schmuck oder lange Haare können sich in den beweglichen Teilen verfangen.

- g. Wenn Geräte für den Anschluss an eine Staubabsaugung und Staubsammlung vorgesehen sind, vergewissern Sie sich, dass diese richtig angeschlossen sind und verwendet werden.** Der Einsatz von Staubsaugern kann staubbedingte Gefahren mindern.

4. Verwendung und Pflege des Elektrogerätes

- a. Überlasten Sie das Elektrogerät nicht. Verwenden Sie das für Ihre Arbeit passende Elektrogerät.** Das richtige Gerät wird die Aufgabe besser und sicherer erledigen, wenn es bestimmungsgemäß verwendet wird.
- b. Benutzen Sie das Elektrowerkzeug nicht, wenn der Schalter defekt ist.** Ein Elektrowerkzeug, das sich nicht mehr ein- oder ausschalten lässt, ist gefährlich und muss repariert werden.
- c. Trennen Sie den Stecker vom Netz und/oder die Akkus vom Elektrogerät, bevor Sie Einstellungen am Gerät vornehmen, Zubehör wechseln oder es aufbewahren.** Diese Vorbeugemaßnahmen mindern die Gefahr, dass das Elektrogerät unbeabsichtigt startet.
- d. Bewahren Sie nicht verwendete Elektrogeräte für Kinder unerreikbaar auf und lassen Sie nicht zu, dass Personen ohne Erfahrung mit dem Elektrogerät oder mit diesen Anweisungen das Elektrogerät bedienen.** Elektrogeräte sind in den Händen nicht geschulter Personen gefährlich.
- e. Warten Sie die Elektrogeräte. Prüfen Sie, ob bewegliche Teile verzogen oder ausgeschlagen, ob Teile gebrochen oder in einem Zustand sind, der den Betrieb des Elektrogerätes beeinträchtigen kann. Bei Beschädigungen lassen Sie das Elektrogerät reparieren, bevor Sie es verwenden.** Viele Unfälle entstehen wegen mangelnder Wartung der Elektrogeräte.
- f. Halten Sie Schneidwerkzeuge scharf und sauber.** Richtig gewartete Schneidwerkzeuge mit scharfen Klingen blockieren seltener und sind leichter unter Kontrolle zu halten.
- g. Verwenden Sie Elektrogeräte, Zubehör und Einsätze (Bits) usw. gemäß diesen Anweisungen und unter Berücksichtigung der Arbeitsbedingungen und der Aufgabe.** Wenn Sie das Elektrogerät für Aufgaben verwenden, die nicht bestimmungsgemäß sind, kann dies zu gefährlichen Situationen führen.

5. Service

- a. Lassen Sie Ihr Elektrowerkzeug nur von qualifiziertem Fachpersonal und nur mit Original- Ersatzteilen reparieren.**

Damit wird sichergestellt, dass die Sicherheit des Gerätes erhalten bleibt.

Weitere Sicherheitshinweise für das Rührwerk.

- ◆ Klemmen Sie das Produkt nie in einen Schraubstock oder eine Werkbank, um es als stationäres Werkzeug zu verwenden. Dies kann schwere Verletzungen verursachen.
- ◆ Schalten Sie das Produkt sofort aus, wenn der Werkzeuganschluss klemmt. Als Reaktion können hohe Drehmomente auftreten, aufgrund derer das Werkzeug zurückschlagen kann. Der Werkzeuganschluss klemmt, wenn das Produkt überlastet wird oder sich im Werkstück dreht.
- ◆ Tragen Sie beim Umgang mit diesem Produkt Schutzkleidung, Staubmasken und Schutzhandschuhe. Beim Einsatz des Produkts können Staub und Spritzer entstehen und Material oder Flüssigkeiten können umherschleudern. Viele Arten von Staub gelten als krebserregend.
- ◆ Bedienen Sie das Produkt immer mit beiden Händen und fassen Sie es an den Griffen an. Halten Sie es fest an den Griffen fest und stellen Sie sicher, dass Ihre Füße auf einem stabilen, ebenen und trockenen Boden stehen. Ein Verlust der Kontrolle über das Produkt kann Verletzungen verursachen.
- ◆ Verwenden Sie dieses Produkt nicht, um Substanzen zu verarbeiten, die leicht entzündlich oder explosiv sind, z. B. Lösungsmittel. Beim Einsatz des Produkts entstehen Funken, die Dämpfe entzünden können.
- ◆ Verwenden Sie dieses Produkt nur in Innenräumen. Feuchtigkeit und Regen können das Produkt beschädigen oder einen Stromschlag aus der Stromversorgung erzeugen, falls gerührtes Material in das Produkt gerät oder das Produkt in das gerührte Material fällt. Das Produkt muss von einem professionellen Elektriker überprüft werden. Gerührtes Material und Feuchtigkeit können das Produkt beschädigen oder zu einem Stromschlag führen, falls sie in das Produkt geraten.
- ◆ Arbeiten Sie nicht mit gesundheitsschädlichen Substanzen. Viele Materialien sind schädlich, wenn sie verarbeitet werden. Atmen Sie keine gesundheitsschädlichen Substanzen ein und vermeiden Sie Hautkontakt. Folgen Sie den Herstelleranweisungen und tragen Sie geeignete persönliche Schutzausrüstung.
- ◆ Warten Sie, bis das Produkt vollständig stillsteht, bevor Sie es aus dem gerührten Material entfernen und abstellen. Der Behälter kann sich verklemmen oder Material kann umherschleudert werden. Dies kann zum Verlust der Kontrolle über das Produkt führen.

Restrisiken.

Trotz Beachtung der geltenden Sicherheitsvorschriften und des Einsatzes von Schutzvorrichtungen können bestimmte Risiken nicht vermieden werden. Diese sind:

- ◆ Verletzungen durch Berühren rotierender/sich bewegender Teile.
- ◆ Schwerhörigkeit.
- ◆ Verletzungsrisiko beim Wechsel von Teilen oder Zubehör.
- ◆ Gesundheitsgefährdung durch Einatmen von Staub, der beim Sägen von Holz entsteht, insbesondere Eiche, Buche und MDF.
- ◆ Verletzungen durch längeren Gebrauch eines Geräts. Wenn Sie ein Werkzeug über einen längeren Zeitraum hinweg verwenden, müssen Sie für regelmäßige Pausen sorgen.

Sicherheit anderer Personen

- ◆ Dieses Gerät darf nicht von Personen (einschließlich Kindern) mit eingeschränkten physischen, sensorischen oder mentalen Fähigkeiten oder ohne ausreichende Erfahrung oder Kenntnisse verwendet werden, außer wenn diese Personen von einer Person, die für ihre Sicherheit verantwortlich ist, bei der Verwendung des Geräts beaufsichtigt oder mit ihm vertraut gemacht werden.
- ◆ Lassen Sie nicht zu, dass Kinder mit dem Gerät spielen.

Vibration

Die in den technischen Daten und der Konformitätserklärung aufgeführten Emissionswerte für Vibrationen wurden gemäß dem Standardtestverfahren in EN 60745 gemessen und können zum Vergleich von Werkzeugen herangezogen werden. Der aufgeführte Vibrationsemissionswert kann auch in einer vorläufigen Expositionsabschätzung verwendet werden.

Warnung! Der Vibrationsemissionswert während des Einsatzes des Elektrowerkzeugs kann sich je nach Verwendungsweise des Werkzeugs vom aufgeführten Wert unterscheiden. Die Vibrationsstufe kann die angegebene Stufe übersteigen. Für die Bewertung der Vibrationsexposition zur Bestimmung der durch 2002/44/EG festgelegten Sicherheitsmaßnahmen zum Schutz von Personen, die regelmäßig mit Elektrowerkzeugen arbeiten, müssen bei einer Abschätzung der Vibrationsexposition die aktuellen Nutzungsbedingungen und die Verwendungsweise des Werkzeugs berücksichtigt werden. Dazu gehören z. B. alle Teile des Betriebszyklus wie Zeiten, in denen das Werkzeug ausgeschaltet ist und sich im Leerlauf befindet, sowie der Auslösezeitpunkt.

Etiketten am Werkzeug

Folgende Piktogramme sind zusammen mit einem Datumcode auf dem Werkzeug angebracht:



Warnung! Zur Reduzierung der Verletzungsgefahr muss der Benutzer die Betriebsanleitung lesen.



Tragen Sie eine Schutz- oder Sicherheitsbrille.



Tragen Sie Gehörschutz.



Tragen Sie eine Staubmaske.



Tragen Sie beim Umgang mit Klingen Handschuhe.

Elektrische Sicherheit



Dieses Werkzeug ist doppelt isoliert. Es muss deshalb nicht geerdet werden. Überprüfen Sie immer, dass die Stromversorgung der Spannung auf dem Typenschild entspricht.

- ◆ Überprüfen Sie die Werkzeugkabel regelmäßig. Wenn das Zubehörkabel defekt ist, muss es durch den Hersteller oder einen autorisierten Stanley Fat Max-Kundendienst ersetzt werden, um Schäden zu vermeiden.

Spannungsabfall

Einschaltströme verursachen kurzfristigen Spannungsabfall. Unter ungünstigen Spannungsbedingungen können andere Geräte betroffen sein. Wenn die Systemimpedanz des Netzteils unter $0,34 \Omega$ liegt, ist es unwahrscheinlich, dass Störungen auftreten.

Verwendung eines Verlängerungskabels

- ◆ Verwenden Sie immer ein zugelassenes Verlängerungskabel, das für die Leistungsaufnahme des Werkzeugs geeignet ist (siehe technische Daten). Prüfen Sie das Verlängerungskabel vor dem Einsatz auf Beschädigungen, Abnutzung und Alterung.
- ◆ Falls das Verlängerungskabel beschädigt oder defekt ist, ersetzen Sie es. Wenn Sie eine Kabeltrommel verwenden, wickeln Sie das Kabel vollständig ab. Wenn Sie ein Verlängerungskabel verwenden, das nicht für die Eingangsleistung des Werkzeugs geeignet oder defekt ist, besteht Brand- und Stromschlaggefahr.

Bestandteile

Dieses Werkzeug umfasst einige oder alle der folgenden Bestandteile.

1. Luftöffnungen
2. Griff (links und rechts)
3. Fassung
4. Stiel
5. Rührer
6. Verriegelungsknopf
7. Drehzahl-Regelschalter
8. Stromanschluss mit Stecker
9. Schraubenschlüssel für die Montage, 22 mm (x 2)

Montage.

Auspacken.

- ◆ Packen Sie alle Teile aus und legen Sie sie auf eine flache, stabile Fläche.
- ◆ Entfernen Sie, falls erforderlich, das Verpackungsmaterial und die Versandvorrichtungen.
- ◆ Vergewissern Sie sich, dass der gelieferte Inhalt vollständig und frei von Beschädigungen ist. Wenn Sie feststellen, dass Teile fehlen oder Beschädigungen aufweisen, dürfen Sie das Produkt nicht verwenden. Kontaktieren Sie Ihren Händler. Der Einsatz eines unvollständigen oder beschädigten Produkts birgt Verletzungsgefahr und kann Sachschäden verursachen.
- ◆ Vergewissern Sie sich, dass alle Zubehörteile und Werkzeuge vorhanden sind, die für die Montage und den Betrieb erforderlich sind. Dazu gehört auch eine geeignete persönliche Schutzausrüstung.

Warnung! Das Produkt und die Verpackung sind kein Kinderspielzeug! Kinder dürfen nicht mit Plastiktüten, Blechen oder Kleinteilen spielen! Es besteht die Gefahr der Atemnot und Erstickungsgefahr!

Einrichtung

Warnung! Das Produkt muss vor dem Betrieb vollständig zusammengebaut sein! Verwenden Sie kein Produkt, das nur teilweise zusammengebaut oder mit beschädigten Teilen zusammengebaut ist! Befolgen Sie die schrittweisen Montageanweisungen und orientieren Sie sich an den Abbildungen, die als visuelle Anleitungen zur einfachen Montage des Produkts mitgeliefert wurden! Schließen Sie das Produkt erst an die Stromversorgung an, nachdem es vollständig zusammengebaut ist!

Rührer

Warnung! Rührer sind in unterschiedlichen Typen und mit unterschiedlichen Formen und Durchmessern verfügbar. Verwenden Sie immer den für den Verwendungszweck geeigneten Rührer! Beachten Sie beim Kauf und Einsatz eines Rührers die technischen Anforderungen für dieses Produkt (siehe Abschnitt „Technische Spezifikationen“)! Rührer werden bei der Verwendung heiß! Bedienen Sie sie mit Vorsicht! Tragen Sie Schutzhandschuhe, wenn Sie einen Rührer bedienen, um Verletzungen wie Verbrennungen und Schnitte zu vermeiden!

Anschließen (Abb. A, Abb. B, Abb. C, Abb. D)

- ◆ Richten Sie den Rührer (5) am Stiel (4) aus. Schrauben Sie den Rührer (5) im Uhrzeigersinn am unteren Ende des Stiels (4) fest (Abb. A).
- ◆ Verriegeln Sie die Anschlussmuffe am Stiel (4) mit einem Schraubenschlüssel (9) und befestigen Sie den Rührer (5) durch Drehen im Uhrzeigersinn, indem Sie die Anschlussmuffe mit dem anderen Schraubenschlüssel (9) greifen (Abb. B).

Hinweis! Bevor Sie die Schraubenschlüssel verwenden, müssen Sie die Verbindung zuerst mit der Hand festziehen.

- ◆ Richten Sie den Stiel (4) an der Fassung (3) aus. Schrauben Sie das Ende des Stiels mit der Anschlussmuffe im Uhrzeigersinn an der Fassung fest (3) (Abb. C).
- ◆ Verriegeln Sie die Fassung (3) mit einem Schraubenschlüssel (9) und befestigen Sie den Stiel (4) durch Drehen im Uhrzeigersinn, indem Sie die Anschlussmuffe mit dem anderen Schraubenschlüssel (9) greifen (Abb. D).

Hinweis! Bevor Sie die Schraubenschlüssel verwenden, müssen Sie die Verbindung zuerst mit der Hand festziehen.

Entfernen/Ersetzen (Abb. E, Abb. F)

- ◆ Verriegeln Sie die Fassung (3) mit einem Schraubenschlüssel (9) und lösen Sie den Stiel (4) durch Drehen entgegen dem Uhrzeigersinn, indem Sie die Anschlussmuffe mit dem anderen Schraubenschlüssel (9) greifen (Abb. E).
- ◆ Lösen Sie die Anschlussmuffe durch Drehen entgegen dem Uhrzeigersinn (Abb. F) und entfernen Sie den Stiel (4) aus der Fassung (3) (Abb. F)

Rührer (Abb. G, Abb. H)

- ◆ Verriegeln Sie die Anschlussmuffe am Stiel (4) mit einem Schraubenschlüssel (9) und lösen Sie den Rührer (5) durch Drehen entgegen dem Uhrzeigersinn, indem Sie die Anschlussmuffe mit dem anderen Schraubenschlüssel (9) greifen (Abb. G).

- ◆ Lösen Sie die Anschlussmuffe durch Drehen entgegen dem Uhrzeigersinn (Abb. H) und entfernen Sie den Rührer (5) aus der Fassung (4) (Abb. H).
- ◆ Schließen Sie, falls erforderlich, einen neuen Stiel/Rührer an.

Verwendung

Drehzahl-Regelschalter (Abb. I)

Bedienen Sie das Produkt entweder im intermittierenden Modus oder im Dauerbetrieb.

Intermittierender Modus

- ◆ Schalten Sie das Produkt ein, indem Sie den Drehzahl-Regelschalter (7) drücken (Abb. I).
- ◆ Schalten Sie das Produkt aus, indem Sie den Drehzahl-Regelschalter (7) loslassen.

Dauerbetrieb

- ◆ Schalten Sie das Produkt ein, indem Sie den Drehzahl-Regelschalter (7) drücken und gedrückt halten (Abb. J, Schritt 1).
- ◆ Drücken Sie den Verriegelungsknopf (6) und halten Sie ihn gedrückt, um den Drehzahl-Regelschalter (7) zu verriegeln (Abb. I, Schritt 2).
- ◆ Lassen Sie den Verriegelungsknopf (6) und den Drehzahl-Regelschalter (8) los. Der Drehzahl-Regelschalter ist nun für den Dauerbetrieb verriegelt.
- ◆ Drücken Sie den Drehzahl-Regelschalter (7) herunter und lassen Sie ihn los, um das Produkt auszuschalten.

Allgemeiner Betrieb

- ◆ Überprüfen Sie das Produkt, den Stromanschluss und den Stecker sowie die Zubehörteile vor jedem Einsatz auf Beschädigungen. Verwenden Sie das Produkt nicht, wenn es beschädigt oder abgenutzt ist.
- ◆ Überprüfen Sie, ob alle Zubehörteile und Anschlüsse ordnungsgemäß befestigt sind.
- ◆ Halten Sie das Produkt immer an den Griffen fest. Halten Sie die Griffe trocken, damit sicherer Halt gewährleistet ist.
- ◆ Stellen Sie immer sicher, dass die Luftöffnungen frei und sauber sind. Reinigen Sie sie bei Bedarf mit einem weichen Pinsel. Blockierte Luftöffnungen können zu Überhitzung und Beschädigung des Produkts führen.
- ◆ Schalten Sie das Produkt sofort aus, wenn Sie bei der Arbeit gestört werden, weil andere Personen den Arbeitsbereich betreten. Warten Sie immer den vollständigen Stillstand des Produkts ab, bevor Sie es abstellen.
- ◆ Überlasten Sie sich nicht selbst. Legen Sie regelmäßig Pausen ein, um sicherzustellen, dass Sie sich auf die Arbeit konzentrieren und vollständige Kontrolle über das Produkt haben.

Mischen (Abb. K)

Warnung! Beim Betrieb wird Feinstaub erzeugt! Staub kann leicht entzündlich und explosiv sein! Rauchen Sie nicht während des Betriebs und halten Sie Wärmequellen und offene Flammen aus dem Arbeitsbereich! Tragen Sie immer eine Schutzmaske, um sich selbst vor den Gefahren durch Feinstaub zu schützen! Wenn das Material zu fest ist, bleibt der Rührer während des Betriebs stehen! Schalten Sie das Produkt aus, heben Sie den Rührer aus dem Material und überprüfen Sie das Material, bevor Sie das Produkt wieder einsetzen! Ein blockierter Rührer kann zu Überhitzung des Motors führen. Halten Sie das Produkt während des Betriebs fest. Der Rührer darf nicht den Behälter berühren! Dies kann zu Beschädigungen am Rührer und am Behälter führen!

- ◆ Halten Sie das Produkt mit 2 Händen an beiden Griffen (2) und senken Sie den Rührer (5) in das Material (Abb. M).
- ◆ Drücken Sie den Drehzahl-Regelschalter leicht, um den Betrieb bei geringer Geschwindigkeit zu starten.
- ◆ Bewegen Sie den Rührer durch das Material, bis es gleichmäßig und vollständig durchmischt ist.
- ◆ Schalten Sie das Produkt aus. Warten Sie den vollständigen Stillstand des Rührers ab, bevor Sie ihn aus dem Mischmaterial heben.

Warnung: Wenn der Rührer im Mischmaterial stecken bleibt, schalten Sie das Produkt aus, warten Sie, bis es vollständig stillsteht, und unterbrechen Sie die Stromversorgung. Erst dann dürfen Sie den verklemmten Anschluss lösen.

Nach Gebrauch

Warnung: Bevor Sie Prüf-, Wartungs- oder Reinigungsarbeiten durchführen, müssen Sie das Produkt immer ausschalten, vom Stromanschluss trennen und abkühlen lassen!

Reinigung

- ◆ Halten Sie das Produkt sauber. Entfernen Sie Verschmutzungen vor jedem Gebrauch und vor der Lagerung.
- ◆ Durch regelmäßiges und ordnungsgemäßes Reinigen stellen Sie die sichere Verwendung und eine lange Lebensdauer des Produkts sicher.
- ◆ Überprüfen Sie das Produkt vor jedem Einsatz auf abgenutzte und beschädigte Teile. Wenn Sie zerbrochene oder abgenutzte Teile finden, verwenden Sie das Produkt nicht.

Warnung: Führen Sie Reparatur- und Wartungsarbeiten nur gemäß dieser Anleitung durch! Alle anderen Arbeiten müssen von einem qualifizierten Spezialisten durchgeführt werden!

- ◆ Reinigen Sie das Produkt mit einem trockenen Tuch. Für schwer zu erreichende Bereiche verwenden Sie einen Pinsel.
- ◆ Reinigen Sie insbesondere die Luftöffnungen (1) nach jedem Gebrauch mit einem Tuch und einem Pinsel.

- ◆ Entfernen Sie hartnäckigen Schmutz mit einem Hochdruckreiniger (max. 3 bar).

Hinweis: Verwenden Sie zur Reinigung des Produkts keine Chemikalien, alkalische, abrasive oder andere aggressive Reinigungs- oder Desinfektionsmittel, da diese die Oberflächen des Produkts beschädigen können.

- ◆ Überprüfen Sie das Produkt auf abgenutzte oder beschädigte Teile. Ersetzen Sie abgenutzte Teile bei Bedarf oder wenden Sie sich an einen autorisierten Kundendienst, um eine Reparatur zu veranlassen, bevor Sie das Produkt wieder verwenden.

Wartung

- ◆ Überprüfen Sie das Produkt und die Zubehörteile (oder Anschlüsse) vor und nach jedem Gebrauch auf Abnutzung und Beschädigungen. Tauschen Sie sie bei Bedarf mit neuen Teilen aus, wie in diesem Handbuch beschrieben. Beachten Sie die technischen Anforderungen.

Reparatur

Dieses Produkt enthält keine Teile, die vom Verbraucher repariert werden können. Wenden Sie sich für die Überprüfung und Reparatur des Produkts an einen autorisierten Kundendienst oder eine ähnlich qualifizierte Person.

Aufbewahrung

- ◆ Schalten Sie das Produkt aus und trennen Sie den Stromanschluss.
- ◆ Reinigen Sie das Produkt, wie oben beschrieben.
- ◆ Lagern Sie das Produkt und die Zubehörteile an einem dunklen, trockenen, frostfreien und gut belüfteten Ort.
- ◆ Lagern Sie das Produkt immer an einem für Kinder unzugänglichen Ort. Die ideale Lagerungstemperatur beträgt zwischen 10 °C und 30 °C.
- ◆ Es empfiehlt sich, die ursprüngliche Verpackung für die Aufbewahrung zu verwenden oder das Produkt mit einem Tuch oder Gehäuse abzudecken, um es vor Staub zu schützen.

Transport

- ◆ Schalten Sie das Produkt aus und trennen Sie den Stromanschluss.
- ◆ Befestigen Sie, falls vorhanden, Transportvorrichtungen.
- ◆ Tragen Sie das Produkt immer an den Griffen (2).
- ◆ Schützen Sie das Produkt vor schweren Schlägen oder starken Vibrationen, die beim Transport in einem Fahrzeug auftreten können.
- ◆ Sichern Sie das Produkt, damit es nicht verrutscht oder umkippt.

Fehlerbehebung

Mutmaßliche Störungen haben häufig Ursachen, die der Nutzer selbst beheben kann. Überprüfen Sie daher das Produkt anhand der Angaben in diesem Abschnitt. In den meisten Fällen kann das Problem schnell gelöst werden.

Problem	Mögliche Ursache	Lösung
Produkt startet nicht	Nicht an die Stromversorgung angeschlossen	An die Stromversorgung anschließen
	Stromanschluss oder Stecker ist defekt	Durch einen Elektriker überprüfen lassen
	Sonstiger elektrischer Defekt am Produkt	Durch einen Elektriker überprüfen lassen
Produkt erreicht nicht die vollständige Leistung	Verlängerungskabel nicht für den Gebrauch mit diesem Produkt geeignet	Geeignetes Verlängerungskabel verwenden
	Stromquelle (z. B. ein Generator) hat zu wenig Spannung	Andere Stromquelle anschließen
	Blockierte Luftöffnungen	Luftöffnungen reinigen
Nicht zufriedenstellendes Ergebnis	Rührer ist abgenutzt	Durch einen neuen Rührer ersetzen
	Rührer eignet sich nicht für das zu mischende Material	Geeigneten Rührer verwenden

Umweltschutz



Abfalltrennung. Dieses Produkt darf nicht mit normalem Haushaltsabfall entsorgt werden.

Wenn Sie eines Tages feststellen, dass Ihr Stanley Fat Max-Produkt ersetzt werden muss oder Sie es nicht mehr benötigen, entsorgen Sie es nicht mit dem normalen Haushaltsabfall. Führen Sie dieses Produkt der Abfalltrennung zu.



Die separate Entsorgung von Gebrauchsgütern und Verpackungen ermöglicht das Recycling und die Wiederverwendung der Stoffe. Die Wiederverwendung von Recyclingstoffen hilft, Umweltverschmutzung zu vermeiden, und reduziert die Nachfrage nach Rohstoffen.

Lokale Vorschriften regeln möglicherweise die getrennte Entsorgung von Elektroprodukten und Haushaltsabfall an kommunalen Entsorgungsstellen oder beim Einzelhändler, wenn Sie ein neues Produkt kaufen.

Stanley Europe stellt Möglichkeiten für die Sammlung und das Recycling von Stanley Fat Max-Produkten nach Ablauf des Nutzungszeitraums zur Verfügung. Um diesen Service zu nutzen, bringen Sie bitte Ihr Produkt zu einer beliebigen autorisierten Kundendienstwerkstatt, die es in unserem Auftrag sammelt.

Die nächstgelegene autorisierte Kundendienststelle erfahren Sie bei Ihrer örtlichen Stanley Europe-Geschäftsstelle unter der in dieser Betriebsanleitung angegebenen Adresse. Alternativ erhalten Sie eine Liste der autorisierten Stanley Europe-Kundendienstwerkstätten und vollständige Informationen über unseren Kundendienst im Internet unter: www.2helpU.com.

Zusammenstellung des technischen Dossiers und gibt diese Erklärung im Namen von Stanley Europe ab.



Ray Laverick
Technischer Direktor
Stanley Europe, Egide Walschaertsstraat 14-18,
2800 Mechelen, Belgien
26.01.2015

Technische Daten

FME190	
Nennspannung, Frequenz	220–240 V~, 50 Hz
Max. Aufnahmeleistung	1600 W
Leerlaufdrehzahl n_0	180–460 U/min 300–750 U/min
Durchmesser des Rührers	Ø 140 mm
Kupplungsschraube	M14 x 2
Mischungsvolumen	max. 120 l
Max. Drehmoment	80 Nm
Schutzklasse	Klasse II
Gewicht	ca. 5,1 kg

Schalldruckpegel LpA	84 dB (A)
Schalleistungspegel LWA	95 dB (A)
Unsicherheit KpA, KWA	3 dB (A)
>ah	4,24 m/s ²

EG-Konformitätserklärung MASCHINENRICHTLINIE



FME190 Rührwerk

Stanley Europe erklärt hiermit, dass diese unter „Technische Daten“ beschriebenen Produkte die folgenden Vorschriften erfüllen:

2006/42/EG, EN 60745-1:2009 + A11:2010,
EN 60745-2-11: 2010

Diese Produkte erfüllen außerdem die Richtlinien 2004/108/EG (bis 19.04.2016), 2014/30/EU (seit 20.04.2016) und 2011/65/EU. Wenn Sie weitere Informationen benötigen, wenden Sie sich bitte an Stanley Europe unter der folgenden Adresse oder schauen Sie auf der Rückseite dieser Betriebsanleitung nach.

Garantie

Stanley Europe vertraut in die Qualität seiner Produkte und bietet den professionellen Anwendern des Produktes eine herausragende Garantie. Diese Garantieverklärung gilt zusätzlich zu Ihren Vertragsrechten als privater und nicht professioneller Nutzer und gefährdet diese in keiner Weise. Diese Garantie gilt innerhalb der Staatsgebiete der Mitgliedstaaten der Europäischen Union und der Europäischen Freihandelszone.

EIN JAHR VOLLSTÄNDIGE GARANTIE

Wenn Ihr Stanley Fat Max-Produkt wegen Material- oder Produktionsmängeln innerhalb von 12 Monaten ab Kauf einen Fehler aufweist, garantiert Stanley Europe unter den folgenden Bedingungen den kostenlosen Austausch aller fehlerhaften Teile oder, nach unserer Wahl, den kostenlosen Austausch des Gerätes:

- ◆ Dieses Produkt wurde nicht missbräuchlich und nur gemäß den Anweisungen im Handbuch verwendet.
- ◆ Das Produkt war normalem Verschleiß ausgesetzt;
- ◆ Es wurden keine Reparaturversuche durch nicht autorisierte Personen vorgenommen;
- ◆ Der Kaufbeleg wird vorgelegt.
- ◆ Das Stanley Fat Max-Produkt wird vollständig im Originallieferungsumfang zurückgegeben.

Wenn Sie einen Anspruch geltend machen möchten, setzen Sie sich mit Ihrem Händler in Verbindung oder finden Sie die nächste Stanley Fat Max-Kundendienstwerkstatt im Stanley Fat Max-Katalog oder setzen Sie sich mit der örtlichen Stanley-Geschäftsstelle unter der in dieser Betriebsanleitung angegebenen Adresse in Verbindung. Eine Liste der autorisierten Stanley Fat Max-Kundendienstwerkstätten und vollständige Informationen über unseren Kundendienst finden Sie im Internet unter: www.stanley.eu/3

Utilisation prévue

Votre mélangeur à pales Stanley Fat Max FME190 a été conçu pour mélanger des matériaux liquides et poudreux : peintures, colles/adhésifs, plâtre, chape ainsi que mortier etc. Cet outil est conçu pour être utilisé par des professionnels ainsi que des particuliers, non professionnels.

Consignes de sécurité

Consignes de sécurité générales propres aux outils électriques



Avertissement ! Lisez tous les avertissements et toutes les consignes de sécurité.

Tout manquement au respect des avertissements et des instructions indiqués ci-dessous peut entraîner un choc électrique, un incendie et/ou de graves blessures.

Conservez tous les avertissements et toutes les instructions pour pouvoir vous y référer dans le futur.

Le terme « outil électrique » dans tous les avertissements indiqués ci-dessous se rapporte à votre outil alimenté sur secteur (avec cordon) ou à votre outil alimenté par batterie (sans cordon).

1. Sécurité de l'espace de travail

- a. **Maintenir l'aire de travail propre et bien éclairée.** Les lieux sombres ou encombrés sont propices aux accidents.
- b. **N'utilisez pas d'outils électriques dans des atmosphères explosives, telles qu'en présence de liquides, de gaz ou de poussières inflammables.** Les outils électriques peuvent produire des étincelles qui pourraient enflammer toute émanation ou poussière ambiante.
- c. **Maintenez les enfants et toute autre personne à l'écart lorsque vous utilisez un outil électrique.** Toute distraction pourrait faire perdre la maîtrise de l'appareil.

2. Sécurité électrique

- a. **Les prises de l'appareil doivent correspondre aux prises de secteur. Ne modifier la fiche en aucune façon. Ne pas utiliser de fiche d'adaptation avec un outil électrique mis à la terre (masse).** L'utilisation de fiches d'origine et de prises appropriées réduira tout risque de décharges électriques.
- b. **Évitez tout contact corporel avec des éléments reliés à la terre comme des tuyaux, radiateurs, cuisinières ou réfrigérateurs.** Les risques de chocs électriques augmentent lorsque le corps est relié à la terre.
- c. **N'exposez pas les outils électriques à la pluie ou à l'humidité.** Tout contact d'un outil électrique avec un liquide augmente les risques de décharges électriques.

- d. **Ne malmenez pas le cordon. Ne jamais utiliser le cordon pour transporter, tirer ou débrancher un outil électrique. Protéger le cordon de toute source de chaleur, de l'huile, et de tout bord tranchant ou pièce mobile.** Les cordons endommagés ou emmêlés augmentent les risques de décharges électriques.
- e. **Lorsque vous utilisez un outil électrique à l'extérieur, utilisez une rallonge adaptée à l'usage en extérieur.** Cela diminuera tout risque de décharges électriques.
- f. **Si l'utilisation d'un outil électrique dans un environnement humide est inévitable, utilisez une alimentation protégée par un dispositif de courant résiduel (RCD).** Cela réduira tout risque de décharges électriques.

3. Sécurité personnelle

- a. **Restez attentif, faites attention à ce que vous faites et faites preuve de bon sens lorsque vous utilisez un outil électrique. Ne pas utiliser d'outil électrique en cas de fatigue ou sous l'influence de drogues, d'alcool ou de médicaments.** Tout moment d'inattention pendant l'utilisation d'un outil électrique comporte des risques de dommages corporels graves.
- b. **Porter un équipement de protection individuel. Porter systématiquement un dispositif de protection oculaire.** Le fait de porter un masque anti-poussières, des chaussures antidérapantes, un casque de sécurité ou un dispositif de protection auditive, lorsque la situation le requiert, réduira les risques de dommages corporels.
- c. **Empêcher un déclenchement accidentel. Assurez-vous que l'interrupteur est en position d'arrêt avant de brancher l'outil sur le secteur et/ou à la batterie, ou de le ramasser ou le transporter.** Transporter un outil le doigt sur l'interrupteur ou brancher un outil électrique alors que l'interrupteur est en position de marche invite les accidents.
- d. **Retirez toutes les clés de réglage avant de mettre l'outil électrique en marche.** Une clé laissée sur une pièce rotative d'un outil électrique comporte des risques de dommages corporels.
- e. **Adopter une position stable. Maintenir les pieds bien ancrés au sol et conserver son équilibre en permanence.** Cela permettra de mieux maîtriser l'outil électrique en cas de situations imprévues.
- f. **Porter des vêtements appropriés. Ne porter aucun vêtement ample ou bijou. Conservez les cheveux, les vêtements et les gants éloignés des parties mobiles.** Les vêtements lâches, les bijoux ou les cheveux longs peuvent être happés par les parties mobiles.
- g. **Lorsqu'un dispositif de connexion à un système de dépoussiérage ou d'élimination est fourni, assurez-vous qu'il est branché et utilisé correctement.**

L'utilisation de ces dispositifs peut réduire les risques engendrés par les poussières.

4. Utilisation et entretien des outils électriques

- a. **Ne forcez pas l'outil électrique. Utiliser l'outil approprié au travail en cours.** L'outil approprié effectuera un meilleur travail, de façon plus sûre et à la vitesse pour laquelle il a été conçu.
- b. **N'utilisez pas l'outil électrique si l'interrupteur ne peut pas l'allumer ni l'éteindre.** Tout appareil dont l'interrupteur est défectueux est dangereux et doit être réparé.
- c. **Débranchez la fiche du secteur et/ou la batterie de l'outil électrique avant d'effectuer tout réglage, de changer tout accessoire, ou avant de le ranger.** Ces mesures de sécurité préventives réduisent le risque de démarrage accidentel de l'outil électrique.
- d. **Après utilisation, rangez les outils électriques hors de portée des enfants et ne permettez à aucune personne non familière avec son fonctionnement (ou sa notice d'instructions) de l'utiliser.** Les outils peuvent être dangereux entre des mains inexpérimentées.
- e. **Entretien des outils électriques. Vérifiez les pièces mobiles pour vous assurer qu'elles sont bien alignées et tournent librement, qu'elles sont en bon état et ne sont affectées d'aucune condition susceptible de nuire au bon fonctionnement de l'outil. En cas de dommage, faire réparer l'outil électrique avant toute nouvelle utilisation.** De nombreux accidents sont causés par des outils mal entretenus.
- f. **Maintenez les outils de coupe affûtés et propres.** Les outils de coupe bien entretenus et affûtés sont moins susceptibles de se coincer et sont plus faciles à contrôler.
- g. **Utilisez l'outil électrique, ses accessoires, mèches, etc., conformément aux présentes directives et suivant la manière prévue pour ce type particulier d'outil électrique, en tenant compte des conditions de travail et de la tâche à effectuer.** L'utilisation d'un outil électrique à des fins autres que celles prévues est potentiellement dangereuse.

5. Révision

- a. **Faites réparer votre outil électrique par un réparateur qualifié en n'utilisant que des pièces de rechange identiques.** Cela permettra de préserver l'intégrité de l'outil électrique et la sécurité de l'utilisateur.

Avertissements de sécurité relatifs aux outils électriques supplémentaire pour le mélangeur à pales.

- ◆ Ne bloquez jamais le produit dans un étau ou sur un établi pour l'utiliser comme outil statique. Cela peut entraîner des blessures graves.

- ◆ Éteignez immédiatement le produit si l'accessoire de l'outil se grippe. Préparez-vous aux couples résistants élevés, qui peuvent provoquer des contrecoups. L'accessoire de l'outil peut se gripper si le produit est en surcharge ou se tord dans la pièce d'ouvrage.
- ◆ Portez des vêtements de protection, un masque antipoussière et des gants de protection lorsque vous utilisez ce produit. Pendant l'utilisation, ce produit peut générer des poussières ou des éclaboussures, et des matériaux ou liquides peuvent être expulsés. Beaucoup de types de poussières sont considérés comme cancérigènes.
- ◆ Utilisez toujours le produit avec les deux mains sur les poignées. Maintenez une prise ferme sur les poignées et assurez-vous d'avoir un bon équilibre sur un sol stable, à niveau et sec. La perte de contrôle du produit peut provoquer des blessures corporelles.
- ◆ N'utilisez pas ce produit pour traiter des substances hautement inflammables ou potentiellement explosives telles que des solvants. L'utilisation de ce produit crée des étincelles qui peuvent enflammer les vapeurs.
- ◆ Utilisez ce produit uniquement en intérieur. L'humidité et la pluie peuvent endommager le produit ou entraîner une électrocution à partir de l'alimentation, si du matériau remué pénètre à l'intérieur du produit ou si le produit tombe dans le matériau remué. Faites vérifier le produit par un électricien professionnel. Les matériaux remués et l'humidité peuvent endommager le produit ou entraîner une électrocution s'ils pénètrent à l'intérieur du produit.
- ◆ Ne travaillez pas avec des substances nocives pour la santé. Beaucoup de matériaux sont nocifs lorsqu'ils sont traités.
N'inspirez pas de substances nocives et évitez tout contact avec la peau. Suivez les instructions du fabricant et portez un équipement de protection personnelle approprié.
- ◆ Attendez l'arrêt complet du produit avant de le retirer du matériau remué et de le poser. Le seau peut se gripper ou du matériau mélangé peut être expulsé. Cela peut entraîner une perte de contrôle du produit.

Risques résiduels.

Même en appliquant les réglementations de sécurité pertinentes et en mettant en œuvre les dispositifs de sécurité, certains risques résiduels ne peuvent être évités. Ils comprennent :

- ◆ Les blessures provoquées par le contact avec des pièces en rotation/mouvement.
- ◆ Diminution de l'acuité auditive.
- ◆ Le risque de blessure en changeant des pièces ou accessoires.

- ◆ Les risques pour la santé causés par la respiration de la poussière causée lors du sciage du bois, notamment le chêne, le hêtre et les panneaux de fibre.
- ◆ Les blessures provoquées par une utilisation prolongée de l'outil. Assurez-vous de faire des pauses régulières lorsque vous utilisez un outil pour des périodes prolongées.



Portez un masque anti-poussière.



Portez des gants lorsque vous manipulez les lames.

Sécurité d'autrui

- ◆ L'utilisation de cet appareil n'est pas prévue pour les personnes (y compris les enfants) ayant des capacités physiques, sensorielles ou mentales limitées, ou qui manquent d'expérience et de connaissances, sauf si ces personnes sont surveillées ou instruites sur l'utilisation de l'appareil par une personne responsable de leur sécurité.
- ◆ Les enfants doivent être surveillés pour s'assurer qu'ils ne jouent pas avec l'appareil.

Vibration

Les valeurs d'émission de vibrations déclarées dans les données techniques et la déclaration de conformité ont été mesurées selon une méthode de test standard fournie par EN 60745 et peuvent être utilisées pour comparer des outils entre eux. La valeur d'émission de vibrations déclarée peut aussi être utilisée dans une évaluation d'exposition préliminaire.

Avertissement ! La valeur d'émission de vibrations pendant l'utilisation réelle de l'outil peut différer de la valeur déclarée selon la façon dont l'outil est utilisé. Le niveau de vibrations peut augmenter et dépasser le niveau indiqué. Lors de l'évaluation de l'exposition aux vibrations pour déterminer les mesures de sécurité requises par 2002/44/CE pour protéger les personnes utilisant régulièrement des outils électriques dans un cadre professionnel, une estimation de l'exposition aux vibrations doit prendre en compte les conditions réelles d'utilisation et la façon dont l'outil est utilisé, ce qui comprend la prise en compte de toutes les parties du cycle d'utilisation comme les moments où l'outil est éteint et où il fonctionne à vide en plus du temps d'utilisation.

Étiquettes sur l'outil

Les pictogrammes suivants ainsi que le code date apparaissent sur l'outil :



Avertissement ! Afin de réduire le risque de blessure, lisez la notice d'instructions.



Portez des lunettes de sécurité.



Portez une protection auditive.

Sécurité électrique



Cet outil a une double isolation ; aucun fil de terre n'est donc nécessaire. Vérifiez toujours que l'alimentation électrique correspond à la tension sur la plaque signalétique.

- ◆ Vérifiez les cordons périodiquement. Si le cordon d'alimentation est endommagé, il doit être remplacé par le fabricant ou par un centre de réparation agréé Stanley Fat Max afin d'éviter tout danger.

Chutes de tension

Les appels de courant provoquent des micro chutes de tension. Dans des conditions d'alimentation électrique défavorables, d'autres équipements peuvent en être affectés. Si l'impédance du système de l'alimentation électrique est inférieure à 0.34 Ω, les perturbations sont peu probables.

Utilisation d'une rallonge

- ◆ Utilisez toujours une rallonge homologuée et compatible avec la tension nominale de l'outil (consultez la section Fiche technique). Avant utilisation, vérifiez que la rallonge ne comporte aucun signe de dommage, d'usure ou d'obsolescence.
- ◆ Remplacez la rallonge si elle est endommagée ou défectueuse. Lorsque vous utilisez un dérouleur de câble, déroulez toujours le câble complètement. L'utilisation d'une rallonge non adaptée à l'alimentation de l'outil, endommagée ou défectueuse peut entraîner un risque d'incendie et de choc électrique.

Caractéristiques

Cet outil comprend certaines des caractéristiques suivantes ou leur intégralité.

1. Orifices de ventilation
2. Poignée (gauche & droite)
3. Douille
4. Axe
5. Agitateur
6. bouton de verrouillage
7. Interrupteur à variateur de vitesse
8. Cordon d'alimentation avec prise
9. Clé de montage 22 mm (x 2)

Assemblage.

Déballage.

- ◆ Déballez toutes les pièces et posez-les sur une surface plate et stable.
- ◆ Retirez tous les matériaux d'emballage et d'expédition, le cas échéant.
- ◆ Assurez-vous que le contenu du colis est complet et n'est pas endommagé. Si vous trouvez des pièces manquantes ou endommagées, n'utilisez pas le produit mais contactez votre distributeur. L'utilisation d'un produit incomplet ou endommagé représente un danger corporel et matériel.
- ◆ Assurez-vous de disposer de tous les outils et accessoires nécessaires pour l'assemblage et l'utilisation. Cela comprend également l'équipement de protection personnelle.

Avertissement ! Le produit et son emballage ne sont pas des jouets ! Ne laissez pas les enfants jouer avec les sacs en plastique, les feuillets et les petites pièces ! Il y a un risque d'étouffement et de suffocation !

Installation

Avertissement ! Le produit doit être entièrement assemblé avant utilisation ! N'utilisez pas un produit qui n'est que partiellement assemblé ou assemblé avec des pièces endommagées ! Suivez les instructions d'assemblage étape par étape et utilisez les images fournies comme guide visuel pour assembler facilement le produit ! Ne raccordez pas le produit à une source d'alimentation avant qu'il soit complètement assemblé !

Agitateur

Avertissement ! Des agitateurs sont disponibles dans différents types et avec des formes et diamètres différents. Utilisez toujours l'agitateur approprié à l'utilisation prévue ! Respectez les exigences techniques de ce produit (consultez la section « Spécifications techniques ») lorsque vous achetez et utilisez un agitateur ! Les agitateurs chauffent pendant l'utilisation ! Maniez-les avec précautions ! Portez des gants de protection pour manipuler les agitateurs afin d'éviter des blessures telles que des brûlures ou des coupures !

Fixation (Fig.A, Fig.B, Fig.C, Fig.D)

- ◆ Alignez l'agitateur (5) avec l'axe (4). Vissez l'agitateur (5) dans le sens des aiguilles d'une montre sur l'extrémité inférieure de l'axe (4) (Fig. A).
- ◆ Serrez l'écrou soudé de l'axe (4) avec une clé de montage (9) et fixez l'agitateur (5) dans le sens des aiguilles d'une montre avec l'autre (9) en agrippant l'écrou soudé (Fig. B).

Remarque ! Serrez d'abord le raccord à la main avant d'utiliser les clés.

- ◆ Alignez l'axe (4) avec la douille (3). Vissez l'extrémité de l'axe avec l'écrou soudé dans le sens des aiguilles d'une montre dans la douille (3) (Fig. C).

- ◆ Verrouillez la douille (3) avec une clé de montage (9) et fixez l'axe (4) dans le sens des aiguilles d'une montre avec une autre clé de montage (9) en agrippant l'écrou soudé (Fig. D).

Remarque ! Serrez d'abord le raccord à la main avant d'utiliser les clés.

Retrait/Remplacement (Fig.E, Fig.F)

- ◆ Verrouillez la douille (3) avec une clé de montage (9) et desserrez l'axe (4) dans le sens inverse des aiguilles d'une montre avec une autre clé de montage (9) en agrippant l'écrou soudé (Fig. E).
- ◆ Desserrez l'écrou soudé dans le sens inverse des aiguilles d'une montre (Fig. F) et retirez l'axe (4) de la douille (3) (Fig. F)

Agitateur (Fig.G, Fig.H)

- ◆ Verrouillez l'écrou soudé sur l'axe (4) avec une clé de montage (9) et desserrez l'agitateur (5) dans le sens inverse des aiguilles d'une montre (9) en agrippant l'écrou soudé (Fig. G).
- ◆ Desserrez l'écrou soudé dans le sens inverse des aiguilles d'une montre (Fig. H) et retirez l'agitateur (5) de l'axe (4) (Fig. H).
- ◆ Fixez un nouvel axe/agitateur selon vos besoins.

Utilisation

Interrupteur à variateur de vitesse (Fig.I)

Faites fonctionner le produit soit en mode instantané soit en mode continu.

Mode instantané

- ◆ Allumez le produit en appuyant sur l'interrupteur à variateur de vitesse (7) (Fig. I).
- ◆ Éteignez le produit en relâchant l'interrupteur à variateur de vitesse (7).

Mode continu

- ◆ Allumez le produit en appuyant sur l'interrupteur à variateur de vitesse (7) et maintenez-le en position (Fig. J, étape 1).
- ◆ Appuyez sur le bouton de verrouillage (6) et maintenez-le en position pour verrouiller l'interrupteur à variateur de vitesse (7) (Fig. I, étape 2).
- ◆ Relâchez le bouton de verrouillage (6) et l'interrupteur à variateur de vitesse (8). L'interrupteur à variateur de vitesse est maintenant verrouillé pour une utilisation continue.
- ◆ Appuyez sur l'interrupteur à variateur de vitesse et relâchez-le (7) pour éteindre le produit.

Utilisation générale

- ◆ Vérifiez que le produit, son cordon d'alimentation, sa prise ainsi que ses accessoires sont exempts de tout dommage avant chaque utilisation. N'utilisez pas le produit s'il est endommagé ou usé.
- ◆ Vérifiez deux fois que les accessoires et pièces jointes sont correctement fixés.
- ◆ Tenez toujours l'outil par la poignée. Maintenez les poignées sèches pour assurer une prise sûre.
- ◆ Assurez-vous que les événements sont toujours dégagés. Nettoyez-les si nécessaire avec une brosse douce. Des événements bloqués peuvent provoquer une surchauffe et endommager le produit.
- ◆ Éteignez immédiatement le produit si vous êtes dérangé pendant le travail par d'autres personnes entrant dans la zone. Attendez toujours l'arrêt complet du produit avant de le poser.
- ◆ Ne vous fatiguez pas au travail. Prenez des pauses régulières pour vous assurer de pouvoir vous concentrer sur le travail et d'avoir le contrôle total du produit.

Mélange (Fig.K)

Avertissement ! Des poussières fines peuvent être générées pendant l'utilisation ! Certaines poussières sont très inflammables et explosives ! Ne fumez pas pendant l'utilisation, et maintenez les sources de chaleur et les flammes nues hors de la zone de travail ! Portez toujours un masque antipoussière pour vous protéger contre les risques résultant des poussières fines ! L'agitateur s'arrêtera pendant l'utilisation si le matériau est trop ferme ! Éteignez le produit, levez l'agitateur hors du matériau et vérifiez le matériau avant d'utiliser le produit de nouveau ! Un agitateur bloqué peut surchauffer le moteur. Tenez le produit fermement pendant l'utilisation. Ne laissez pas l'agitateur toucher le seuil ! Cela peut endommager l'agitateur et le seuil !

- ◆ Maintenez le produit avec les 2 mains sur les deux poignées (2) et insérez l'agitateur (5) dans le matériau (Fig. M).
- ◆ Appuyez doucement sur l'interrupteur à variateur de vitesse pour commencer l'utilisation à vitesse lente.
- ◆ Déplacez l'agitateur dans le matériau jusqu'à ce qu'il soit équitablement et entièrement mélangé.
- ◆ Éteignez le produit. Attendez l'arrêt complet de l'agitateur avant de le sortir du matériau mélangé.

Avertissement : Éteignez le produit, attendez son arrêt complet et débranchez-le de la source d'alimentation si l'agitateur se bloque dans le matériau mélangé. Ne débloquez l'accessoire qu'après tout cela.

Après utilisation

Avertissement : Éteignez toujours le produit, débranchez-le de sa source d'alimentation et laissez-le refroidir avant toute vérification, entretien et nettoyage !

Nettoyage

- ◆ Maintenez le produit propre. Retirez les débris après chaque utilisation et avant de le ranger.
- ◆ Un nettoyage régulier et correct vous assurera une utilisation en toute sécurité du produit et prolongera sa durée de vie.
- ◆ Avant chaque utilisation, vérifiez que le produit ne comporte aucune pièce usée ou endommagée. Ne l'utilisez pas s'il comporte des pièces cassées et usées.

Avertissement : Toute réparation et maintenance ne doit être effectuée qu'en accord avec ces instructions ! Tout travail supplémentaire doit être effectué par un spécialiste qualifié !

- ◆ Nettoyez le produit avec un chiffon sec. Utilisez une brosse pour les zones difficiles à atteindre.
- ◆ Nettoyez en particulier les événements (1) après chaque utilisation avec un chiffon et une brosse.
- ◆ Retirez la saleté tenace avec de l'air pressurisé (max. 3 bars).

Remarque : N'utilisez pas de produits chimiques, alcalins, abrasifs, ou d'autres détergents ou désinfectants agressifs pour nettoyer ce produit car ils peuvent endommager les surfaces.

- ◆ Vérifiez qu'il n'y a aucune pièce usée ou endommagée. Remplacez les pièces usées selon vos besoins ou contactez un centre de service agréé pour effectuer les réparations avant d'utiliser ce produit de nouveau.

Maintenance

- ◆ Avant et après chaque utilisation, vérifiez que le produit et les accessoires (ou pièces jointes) ne sont pas usés ni endommagés. Si nécessaire, remplacez-les par de nouvelles pièces comme décrit dans ce manuel d'instructions. Respectez les exigences techniques.

Réparation

Ce produit ne contient aucune pièce réparable par le consommateur. Contactez un centre de service agréé ou un personnel de même qualification pour effectuer les vérifications et réparations.

Rangement

- ◆ Éteignez le produit et débranchez-le de sa source d'alimentation.
- ◆ Nettoyez le produit comme décrit ci-dessus.
- ◆ Rangez le produit et ses accessoires dans un endroit sombre, sec, bien aéré et à l'abri du gel.
- ◆ Rangez toujours le produit hors d'atteinte des enfants. La température de rangement idéale est comprise entre 10 °C et 30 °C.
- ◆ Nous recommandons d'utiliser l'emballage d'origine pour le rangement ou de recouvrir le produit avec un chiffon ou une enveloppe appropriée pour le protéger de la poussière.

Transport

- ◆ Éteignez le produit et débranchez-le de sa source d'alimentation.
- ◆ Fixez les protections de transport, le cas échéant.
- ◆ Portez toujours le produit par les poignées (2).
- ◆ Protégez le produit des impacts lourds ou des vibrations fortes qui pourraient survenir pendant le transport dans des véhicules.
- ◆ Maintenez le produit pour l'empêcher de glisser ou de tomber.

Dépannage

Des dysfonctionnements suspectés sont souvent dus à des causes que l'utilisateur peut réparer de lui-même. Vérifiez donc le produit avant d'utiliser cette section. Dans la plupart des cas, le problème peut être facilement résolu.

Problème	Cause possible	Solution
Le produit ne démarre pas	Ne produit n'est pas raccordé à l'alimentation	Raccordez-le à l'alimentation
	Le cordon d'alimentation ou la prise est défectueux(se)	Faites vérifier par un électricien qualifié
	Autre défaut électrique sur le produit	Faites vérifier par un électricien qualifié
Le produit n'atteint pas sa puissance maximale	La rallonge n'est pas adaptée à ce produit	Utilisez une rallonge adaptée
	La source d'alimentation (c.-à-d. le générateur) possède une tension trop basse	Raccordez à une autre source d'alimentation
	Les événements sont bloqués	Nettoyez les événements
Résultat non satisfaisant	L'agitateur est usé	Remplacez par un nouveau
	L'agitateur n'est pas adapté au matériau mélangé	Utilisez un agitateur adapté

Protection de l'environnement



Collecte sélective. Ne pas jeter ce produit avec les ordures ménagères.

En fin de durée de vie ou d'utilité de votre produit Stanley Fat Max, ne le jetez pas avec les ordures ménagères, mais dans les conteneurs de collecte sélective. La collecte sélective des produits et emballages usagés permet de recycler et réutiliser leurs matériaux.



La collecte sélective des produits usagés et des emballages permet le recyclage et la réutilisation des matériaux.

La réutilisation de matériaux recyclés aide à protéger l'environnement contre la pollution et à réduire la demande en matière première.

Les règlements locaux peuvent prévoir une collecte sélective des produits électriques dans les sites de déchetterie municipale ou par collecte sur les lieux d'achat des produits neufs.

Stanley Europe dispose d'installations pour la collecte et le recyclage des produits Stanley Fat Max en fin de vie. Pour profiter de ce service, veuillez rapporter votre produit auprès d'un centre de réparation agréé qui le recyclera en notre nom.

Vous pouvez vérifier où se trouve le réparateur agréé le plus proche en contactant votre filiale Stanley Europe locale à l'adresse indiquée dans ce manuel. En alternative, une liste des réparateurs agréés Stanley Europe et les coordonnées complètes de notre service après-vente sont disponibles sur le site Internet : www.2helpU.com

Données techniques

FME190	
Tension nominale, fréquence	220 – 240 V~, 50 Hz
Puissance absorbée nominale	1600 W
Vitesse nominale sans charge n_0	180 - 460 tr/min 300-750 tr/min
Diamètre de l'agitateur	Ø 140 mm
Filet de couple	M14 x 2
Volume de mélange	max. 120L
Couple max	80 Nm
Classe de protection	Classe II
Poids	approx. 5,1 kg

Niveau de pression sonore L_pA	84 dB (A)
Niveau de puissance sonore LWA	95 dB (A)
Incertitude KpA , KWA	3 dB (A)
>ah	4,24 m/s ²

Certificat de conformité CE

DIRECTIVES MACHINES



Mélangeur à pales FME190

Stanley Europe certifie que les produits décrits dans le paragraphe « Fiche technique » sont conformes aux normes : 2006/42/CE, EN 60745-1:2009 + A11:2010, EN 60745-2-11: 2010

Ces produits sont également en accord avec la Directive 2004/108/CE (jusqu'au 19/04/2016) 2014/30/UE (à partir du 20/04/2016) et 2011/65/UE. Pour plus d'informations, veuillez contacter Stanley Europe à l'adresse suivante ou vous reporter au dos de cette notice d'instructions.

Le soussigné est responsable de la compilation du fichier technique et fait cette déclaration au nom de Stanley Europe.

Ray Laverick
 Directeur technique
 Stanley Europe, Egide Walschaertsstraat14-18,
 2800 Malines, Belgique
 26/01/2015

Garantie

Stanley Europe est confiant dans la qualité de ses produits et propose à tous les professionnels qui les utilisent, une garantie exceptionnelle. Cette déclaration de garantie s'ajoute à et ne contredit en aucun cas vos droits contractuels en tant qu'utilisateur privé non professionnel. Cette garantie est valable au sein des territoires des États membres de l'Union Européenne et au sein de la Zone européenne de libre-échange.

GARANTIE COMPLÈTE D'UN AN

Si votre produit Stanley Fat Max présentait un vice de matériau ou de fabrication dans les 12 mois à compter de sa date d'achat, Stanley Europe garantit le remplacement gratuit de toute pièce défectueuse ou, à son entière discrétion, le remplacement gratuit de l'appareil, à condition que :

- ◆ Le produit n'ait pas subi une mauvaise utilisation et ait été utilisé selon le manuel d'instructions.
- ◆ Le produit ait été soumis à une usure normale ;
- ◆ Aucune réparation n'ait été effectuée par du personnel non autorisé ;
- ◆ Une preuve d'achat soit fournie.
- ◆ Le produit Stanley Fat Max soit retourné complet, avec l'ensemble de ses composants originaux

Pour faire une demande de remboursement ou d'échange, veuillez contacter votre revendeur, ou trouver l'adresse d'un centre de réparation agréé Stanley Fat Max proche de chez vous dans le catalogue Stanley Fat Max, ou contacter votre succursale Stanley à l'adresse indiquée dans cette notice d'instructions. Une liste des centres de réparation agréés Stanley Fat Max et tout détail complémentaire concernant notre service après-vente, sont à votre disposition sur notre site Internet à : www.stanley.eu/3

Uso previsto

Il miscelatore a pala Stanley Fat Max FME190 è stato progettato per la miscelazione di materiali liquidi e in polvere: vernici, colle/adesivi, stucco, calcestruzzo, malte ecc. Questo apparato è adatto all'uso professionale, privato e non professionale.

Istruzioni di sicurezza

Avvertenze generali di sicurezza per apparati elettrici



Avvertenza! Leggere attentamente tutte le avvertenze di sicurezza e le istruzioni.

La mancata osservanza delle avvertenze e istruzioni seguenti può causare scossa elettrica, incendio e/o gravi lesioni personali.

Conservare tutti gli avvertimenti e le istruzioni per consultazioni future Il termine "apparato elettrico" in tutte le avvertenze che seguono si riferisce all'apparato elettrico alimentato dalla rete principale (con cavo) o all'apparato elettrico alimentato a batteria (senza cavo).

1. Sicurezza dell'area di lavoro

- Tenere pulita e ben illuminata la zona di lavoro.** Gli ambienti disordinati o scarsamente illuminati favoriscono gli incidenti.
- Non azionare gli apparati in ambienti con atmosfera esplosiva, come quelli in presenza di liquidi, gas o polveri infiammabili.** Gli apparati elettrici creano scintille che possono incendiare le polveri o i fumi.
- Durante l'uso di un apparato elettrico, tenere lontani i bambini e chiunque si trovi nelle vicinanze.** Le distrazioni possono provocare la perdita di controllo.

2. Sicurezza elettrica

- Le spine dell'apparato elettrico devono essere adatte alla presa di alimentazione. Non modificare la spina in alcun modo. Non collegare un adattatore alla spina di un apparato elettrico dotato di scarico a terra.** Per ridurre il rischio di scossa elettrica evitare di modificare le spine e utilizzare sempre le prese appropriate.
- Evitare il contatto con superfici collegate con la terra, quali tubature, termosifoni, fornelli e frigoriferi.** Se il proprio corpo è collegato con la terra, il rischio di scossa elettrica aumenta.
- Non esporre gli apparati elettrici alla pioggia o all'umidità.** Se l'acqua entra nell'apparato elettrico aumenta il rischio di scossa elettrica.

- Non utilizzare il cavo elettrico in modo improprio. Non utilizzare mai il cavo per spostare, tirare o scollegare l'apparato elettrico. Tenere il cavo elettrico lontano da fonti di calore, olio, bordi taglienti o parti in movimento.** Se il cavo è danneggiato o impigliato, il rischio di scossa elettrica aumenta.
- Quando l'apparato elettrico viene impiegato all'aperto, utilizzare unicamente cavi di prolunga previsti per esterni.** L'uso di un cavo adatto ad uso esterno riduce il rischio di scosse elettriche.
- Se è non è possibile evitare l'uso di un apparato elettrico in ambienti umidi, usare una fonte di corrente protetta da un interruttore differenziale (salvavita).** L'uso di un interruttore differenziale riduce il rischio di scossa elettrica.

3. Sicurezza personale

- Quando si utilizza un apparato elettrico evitare di distrarsi, prestare attenzione a quello che si sta facendo e utilizzare il buon senso. Non utilizzare l'apparato elettrico quando si è stanchi o sotto l'effetto di droghe, alcool o medicinali.** Un solo attimo di distrazione durante l'uso di tali apparati potrebbe provocare gravi lesioni personali
- Usare le protezioni antinfortunistiche. Indossare sempre occhiali di sicurezza.** Se si avrà cura d'indossare l'equipaggiamento protettivo, ad esempio una maschera antipolvere, delle calzature antiscivolo, un casco o delle otoprotezioni, si ridurrà il rischio di infortuni.
- Evitare avvii involontari. Assicurarsi che l'interruttore sia in posizione di spento prima inserire l'alimentazione elettrica e/o il blocco batteria e prima di afferrare o trasportare l'apparato.** Il trasporto di apparati elettrici tenendo il dito sull'interruttore o quando sono collegati alla rete elettrica con l'interruttore nella posizione di acceso provoca incidenti.
- Prima di accendere l'apparato elettrico, rimuovere eventuali chiavi o utensili di regolazione.** Un utensile di regolazione o una chiave fissati su una parte rotante dell'apparato elettrico possono provocare lesioni personali.
- Non sporgersi troppo. Mantenere sempre un appoggio ed equilibrio adeguati.** Ciò consente un migliore controllo dell'apparato nelle situazioni impreviste.
- Vestirsi adeguatamente. Non indossare abiti lenti o gioielli. Tenere i capelli, i vestiti e i guanti lontani dalle parti mobili.** Abiti lenti, gioielli o capelli lunghi possono impigliarsi nelle parti in movimento.
- Se i dispositivi sono forniti di collegamento con apparati di aspirazione e raccolta delle polveri, assicurarsi che gli stessi siano collegati e utilizzati correttamente.** La raccolta delle polveri può ridurre i pericoli legati a queste ultime.

4. Uso e cura degli apparati elettrici

- a. **Non forzare l'apparato elettrico. Utilizzare un apparato adatto al lavoro da eseguire.** L'apparato lavora meglio e con maggior sicurezza se utilizzato secondo quanto è stato previsto.
- b. **Non utilizzare l'apparato elettrico se l'interruttore non permette l'accensione o lo spegnimento.** Qualsiasi apparato elettrico che non possa essere controllato tramite l'interruttore è pericoloso e deve essere riparato.
- c. **Staccare la spina dall'alimentazione elettrica e/o il blocco batteria dell'apparato elettrico prima di effettuare qualsiasi tipo di regolazione, di cambiare gli accessori o di riporlo.** Queste misure di sicurezza preventive riducono il rischio di azionare l'apparato accidentalmente.
- d. **Riporre gli apparati elettrici non utilizzati fuori dalla portata dei bambini ed evitarne l'uso da parte di persone che hanno poca familiarità con l'apparato elettrico e con le presenti istruzioni.** Gli apparati elettrici sono pericolosi in mano a persone inesperte.
- e. **Sottoporre a manutenzione gli apparati elettrici. Verificare il cattivo allineamento e inceppamento di parti mobili, la rottura di componenti e ogni altra condizione che possa influire sul funzionamento degli apparati elettrici. Se danneggiato, far riparare l'apparato elettrico prima dell'uso.** Molti incidenti sono provocati da apparati elettrici su cui non è stata effettuata la corretta manutenzione.
- f. **Tenere gli utensili da taglio affilati e puliti.** La manutenzione corretta degli utensili da taglio con bordi affilati riduce le probabilità di inceppamento e ne facilita il controllo.
- g. **Utilizzare l'apparato elettrico, gli accessori, le punte ecc., rispettando le presenti istruzioni e tenendo in considerazione le condizioni di funzionamento e il lavoro da eseguire.** L'utilizzo dell'apparato elettrico per impieghi diversi da quelli previsti può provocare situazioni di pericolo.

5. Assistenza

- a. **L'apparato elettrico deve essere riparato da personale qualificato che utilizzi ricambi originali identici alle parti da sostituire.** Così facendo si eviterà di alterare la sicurezza dell'apparato elettrico.

Avvertenze di sicurezza aggiuntive per il miscelatore a pala.

- ◆ Non bloccare mai il prodotto in una morsa o un banco di lavoro per utilizzarlo come utensile fisso. Ciò può causare gravi lesioni.
- ◆ Spegnerlo immediatamente il prodotto se l'accessorio dell'apparato si blocca. Essere pronti ad elevate coppie di reazione, che potrebbero causare contraccolpi.

L'accessorio dell'apparato si blocca se il prodotto viene caricato eccessivamente o si ribalta nel pezzo da lavorare.

- ◆ Quando si utilizza questo prodotto indossare indumenti di protezione, mascherine antipolvere e guanti protettivi. Durante l'utilizzo del prodotto potrebbero crearsi polvere o schizzi di materiale o liquidi. Numerose tipologie di polvere sono ritenute cancerogene.
- ◆ Utilizzare il prodotto tenendo sempre entrambe le mani sulle impugnature. Mantenere una salda presa sulle impugnature e garantire un appoggio sicuro su superficie stabile, piana e asciutta. La perdita di controllo del prodotto può provocare lesioni.
- ◆ Non utilizzare questo prodotto per il trattamento di sostanze altamente infiammabili o potenzialmente esplosive come i solventi. L'utilizzo del presente prodotto genera scintille che possono incendiare i vapori.
- ◆ Utilizzare il prodotto solo in ambienti interni. Umidità e pioggia possono danneggiare il prodotto o comportare elettrocuzione dall'alimentazione elettrica, se il materiale miscelato penetra all'interno del prodotto o il prodotto cade nel materiale in miscelazione. Far ispezionare il prodotto da un elettricista professionista. Se all'interno del prodotto penetra materiale miscelato o umidità il prodotto può danneggiarsi o comportare elettrocuzione.
- ◆ Non azionarlo con sostanze pericolose per la salute. Numerosi materiali quando vengono trattati diventano nocivi.
Non inspirare sostanze malsane ed evitare il contatto con la pelle. Seguire le istruzioni del produttore e indossare abbigliamento di protezione personale adatto.
- ◆ Attendere finché il prodotto non si arresta completamente, prima di rimuoverlo dal materiale miscelato e posarlo. Il secchio potrebbe bloccarsi o il materiale miscelato potrebbe schizzare. Ciò potrebbe comportare una perdita di controllo del prodotto.

Rischi residui.

Malgrado l'applicazione delle principali regole di sicurezza e l'implementazione di dispositivi di sicurezza, alcuni rischi residui non possono essere evitati. Sono inclusi:

- ◆ Lesioni causate dal contatto con le parti rotanti/in movimento.
- ◆ Menomazioni uditive.
- ◆ Rischio di lesioni durante la sostituzione di parti o accessori.
- ◆ Rischi per la salute causati dall'inalazione di segatura formatasi durante il taglio del legno, specialmente di quercia, faggio e fibre di media densità o MDF.
- ◆ Lesioni causate dall'uso prolungato di un apparato. In caso di uso prolungato di qualsiasi apparato, assicurarsi di fare pause regolari.

Sicurezza altrui

- ◆ Questo apparecchio non è destinato per l'uso da parte di persone (compresi i bambini) con capacità fisiche, sensoriali o mentali ridotte, o prive di esperienza e conoscenza, a meno che non abbiano ottenuto sorveglianza o istruzioni riguardo all'uso dell'apparecchio da parte di una persona responsabile della loro sicurezza.
- ◆ I bambini devono essere sorvegliati per assicurarsi che non giochino con l'apparecchio.

Vibrazioni

I valori delle emissioni di vibrazioni dichiarati nei dati tecnici e la dichiarazione di conformità sono stati misurati secondo il metodo standard di test previsto da EN 60745 e possono essere utilizzati per confrontare gli apparati tra loro. Il valore delle emissioni di vibrazioni dichiarato può anche essere utilizzato per una valutazione preliminare dell'esposizione.

Avvertenza! Il valore delle emissioni di vibrazioni durante l'uso reale dell'apparato elettrico può differire dal valore dichiarato a seconda del modo in cui si utilizza l'apparato. Il livello di vibrazioni può superare quello dichiarato. Durante la valutazione dell'esposizione alle vibrazioni per stabilire le misure di sicurezza richieste da 2002/44/CE per proteggere le persone che utilizzano regolarmente gli apparati elettrici per lavoro, una stima dell'esposizione alle vibrazioni dovrebbe considerare le condizioni reali e il modo d'uso, comprese tutte le parti del ciclo lavorativo come i tempi di spegnimento, i tempi di standby e i tempi di azionamento dell'apparato.

Etichette sull'apparato

Sull'apparato sono presenti i seguenti pittogrammi unitamente al codice data:



Avvertenza! Per ridurre il rischio di lesioni, leggere il manuale di istruzioni.



Indossare occhiali di protezione



Utilizzare protezioni acustiche.



Indossare una maschera anti-polvere.



Indossare i guanti quando si manipolano le lame.

Sicurezza elettrica



Questo apparato è dotato di doppio isolamento; pertanto non è necessario alcun filo di messa a terra. La fornitura del voltaggio e della corrente deve essere conforme alle specifiche indicate sulla targa.

- ◆ Ispezionare periodicamente i cavi dell'apparato. Se il cavo di alimentazione è danneggiato, deve essere sostituito dal produttore o da un Centro di assistenza Stanley Fat Max autorizzato per evitare qualsiasi pericolo.

Cali di tensione

Le correnti di spunto causano cali di corrente di breve durata. In condizioni di alimentazione sfavorevoli, le altre apparecchiature potrebbero esserne interessate. Se l'impedenza di sistema dell'alimentazione è inferiore a 0,34 Ω, è improbabile che si verifichino dei disturbi.

Utilizzo di una prolunga

- ◆ Utilizzare sempre un cavo di prolunga omologato, idoneo alla potenza di ingresso di questo apparato (vedere i dati tecnici). Prima dell'uso, ispezionare la prolunga alla ricerca di segni di danno, usura o invecchiamento.
- ◆ Sostituire la prolunga se danneggiata o difettosa. Se si utilizza un avvolgitore, estrarre il cavo per l'intera lunghezza. L'utilizzo di un cavo di prolunga non idoneo per la potenza di ingresso dell'apparato o danneggiato o difettoso può causare un rischio di incendio e scossa elettrica.

Caratteristiche

Questo apparato include alcune o tutte le seguenti funzionalità.

1. Fessure di ventilazione
2. Impugnature (sinistra e destra)
3. Attacco
4. Asta
5. Agitatore
6. Pulsante di blocco
7. Interruttore a velocità variabile
8. Cavo di alimentazione con spina
9. Chiave di montaggio da 22 mm (x 2)

Montaggio.

Apertura della confezione.

- ◆ Estrarre tutte le parti e posarle su una superficie stabile e piana.
- ◆ Rimuovere tutto il materiale di imballaggio e di spedizione, se applicabile.
- ◆ Assicurarsi che il contenuto della spedizione sia completo e privo di danni. Se vi sono parti mancanti o danneggiate

non utilizzare il prodotto e contattare il proprio rivenditore. Utilizzare un prodotto incompleto o danneggiato rappresenta un pericolo per persone e proprietà.

- ◆ Assicurarsi di avere a disposizione tutti gli accessori e strumenti necessari per il montaggio e l'azionamento. Ciò comprende gli equipaggiamenti protettivi appropriati.

Avvertenza! Il prodotto e la confezione non sono giocattoli per bambini! Impedire ai bambini di giocare con le bustine di plastica, i fogli e i componenti di piccole dimensioni! Potrebbero provocare soffocamento e asfissia!

Configurazione

Avvertenza! Il prodotto deve essere completamente montato prima dell'utilizzo! Non utilizzare il prodotto parzialmente montato o montato con componenti danneggiati! Seguire attentamente le istruzioni di montaggio e utilizzare le immagini fornite quale guida visiva per montare facilmente il prodotto! Non collegare il prodotto all'alimentazione elettrica prima che sia completamente montato!

Agitatore

Avvertenza! Sono disponibili agitatori di diversa tipologia, con varie forme e diametri. Utilizzare sempre l'agitatore corretto a seconda dell'uso previsto! Osservare i requisiti tecnici di questo prodotto (consultare la sezione "Specifiche tecniche") quando si acquista e si utilizza l'agitatore! L'agitatore diventa rovente durante l'utilizzo! Maneggiarlo con cautela! Indossare guanti protettivi quando di manipola l'agitatore in moto tale da evitare lesioni come ustioni e tagli!

Allegati (Fig. A, Fig. B, Fig. C, Fig. D)

- ◆ Allineare l'agitatore (5) all'asta (4). Avvitare l'agitatore (5) in senso orario sull'estremità inferiore dell'asta (4) (Fig. A).
- ◆ Bloccare il dado saldato dell'asta (4) con una chiave di montaggio (9) e serrare l'agitatore (5) in senso orario con l'altra (9) tenendo il dado saldato (Fig. B).

Nota! Prima di utilizzare le chiavi serrare la connessione a mano.

- ◆ Allineare l'asta (4) all'attacco (3). Avvitare l'estremità dell'asta con il dado saldato in senso orario nell'attacco (3) (Fig. C).
- ◆ Bloccare l'attacco (3) con una chiave di montaggio (9) e serrare l'asta (4) in senso orario con l'altra chiave (9) tenendo il dado saldato (Fig. D).

Nota! Prima di utilizzare le chiavi serrare la connessione a mano.

Rimozione/Sostituzione (Fig. E, F)

- ◆ Bloccare l'attacco (3) con una chiave di montaggio (9) e allentare l'asta (4) in senso antiorario con l'altra chiave (9) tenendo il dado saldato (Fig. E).
- ◆ Allentare il dado saldato in senso antiorario (Fig. F) e rimuovere l'asta (4) dall'attacco (3) (Fig. F)

Agitatore (Fig. G, H)

- ◆ Bloccare il dado saldato dell'asta (4) con una chiave di montaggio (9) e allentare l'agitatore (5) in senso antiorario con l'altra chiave (9) tenendo il dado saldato (Fig. G).
- ◆ Allentare il dado saldato in senso antiorario (Fig. H) e rimuovere l'agitatore (5) dall'asta (4) (Fig. H).
- ◆ Fissare una nuova asta/un nuovo agitatore in base alla necessità.

Uso

Interruttore a velocità variabile (Fig. I)

Utilizzare il prodotto in modalità istantanea o continua.

Modalità istantanea

- ◆ Accendere il prodotto premendo l'interruttore a velocità variabile (7) (Fig. I).
- ◆ Spegnerlo il prodotto rilasciando l'interruttore a velocità variabile (7).

Modalità continua

- ◆ Accendere il prodotto premendo l'interruttore a velocità variabile (7) e tenerlo in posizione (Fig. J, fase 1).
- ◆ Premere il pulsante di blocco (6) e tenerlo in posizione per bloccare l'interruttore a velocità variabile (7) (Fig. I, fase 2).
- ◆ Rilasciare il pulsante di blocco (6) e l'interruttore a velocità variabile (8). L'interruttore a velocità variabile è ora bloccato per l'uso continuo.
- ◆ Premere e rilasciare l'interruttore a velocità variabile (7) per spegnere il prodotto.

Funzionamento generale

- ◆ Prima di ciascun utilizzo, controllare il prodotto, il cavo di alimentazione, la spina e gli accessori per escludere la presenza di danni. Non utilizzare il prodotto se è danneggiato o sono evidenti segni di usura.
- ◆ Controllare con attenzione che gli accessori siano fissati correttamente.
- ◆ Reggere sempre il prodotto tenendolo per le impugnature. Tenere le impugnature asciutte per garantire un sostegno sicuro.
- ◆ Accertarsi sempre che le feritoie di ventilazione siano sempre libere e prive di ostruzioni. Se necessario, pulirle con un pennello morbido. Il blocco delle feritoie di ventilazione può comportare il surriscaldamento e danneggiare il prodotto.
- ◆ Spegnerlo immediatamente il prodotto durante il lavoro in caso di disturbo causato da altre persone che entrano nell'area di lavoro. Lasciare sempre che il prodotto si arresti completamente prima di riportarlo.

- ◆ Non sovraccaricarsi di lavoro. Fare pause regolari per accertarsi di riuscire a concentrarsi sul lavoro e avere un controllo completo del prodotto.

Miscelazione (Fig. K)

Avvertenza! Durante il funzionamento viene generata polvere sottile. Alcune polveri sono altamente infiammabili ed esplosive. Non fumare durante l'utilizzo, tenere fonti di calore e fiamme libere lontane dall'area di lavoro. Indossare sempre una maschera anti-polvere per proteggersi dai rischi connessi alla polvere. L'agitatore si arresta durante il funzionamento nel caso in cui il materiale sia troppo solido. Spegnerlo il prodotto, sollevare l'agitatore dal materiale e ispezionare il materiale prima di riutilizzare il prodotto. Il blocco dell'agitatore può provocare un sovraccarico del motore. Tenere saldamente il prodotto durante il funzionamento. Non lasciare che l'agitatore tocchi il secchio, per non danneggiare entrambi.

- ◆ Reggere il prodotto con due mani su entrambe le impugnature (2) e inserire l'agitatore (5) nel materiale (Fig. M).
- ◆ Premere delicatamente l'interruttore di attivazione a velocità variabile per avviare il funzionamento a bassa velocità.
- ◆ Spostare l'agitatore all'interno del materiale fino a quando non è miscelato completamente in maniera uniforme.
- ◆ Spegnerlo il prodotto. Lasciare che l'agitatore si arresti completamente prima di sollevarlo dal materiale di miscelazione.

Avvertenza: spegnere il prodotto, lasciare che si arresti completamente e scollegarlo dall'alimentazione se l'agitatore si blocca nel materiale di miscelazione. Solo dopo liberare l'accessorio incastrato.

Dopo l'utilizzo

Avvertenza: spegnere sempre il prodotto, scollegarlo dall'alimentazione e farlo raffreddare prima di eseguire interventi di ispezione, manutenzione e pulizia.

Pulizia

- ◆ Tenere il prodotto pulito. Rimuovere lo sporco dopo ciascun utilizzo e prima della conservazione.
- ◆ Una pulizia regolare e adeguata contribuisce a garantire la sicurezza d'uso e a prolungare la durata del prodotto.
- ◆ Ispezionare il prodotto prima di ciascun utilizzo per escludere la presenza di parti usurate e danneggiate e, in tal caso, non utilizzarlo.

Avvertenza: eseguire gli interventi di riparazione e manutenzione esclusivamente in conformità a quanto riportato nelle presenti istruzioni. Tutti gli ulteriori interventi devono essere eseguiti da uno specialista qualificato.

- ◆ Pulire il prodotto con un panno asciutto. Utilizzare un pennello per le aree difficili da raggiungere.

- ◆ Pulire in particolare le feritoie di ventilazione (1) dopo ciascun utilizzo con un panno e un pennello.
- ◆ Rimuovere lo sporco ostinato con aria ad alta pressione (max. 3 bar).

Nota: non utilizzare disinfettanti o detergenti chimici, alcalini, abrasivi o aggressivi per pulire il prodotto, poiché possono danneggiare le superfici.

- ◆ Controllare per escludere parti usurate o danneggiate. Sostituire le parti usurate secondo le esigenze o rivolgersi a un centro di assistenza autorizzato per la riparazione prima di riutilizzare il prodotto.

Manutenzione

- ◆ Prima e dopo ciascun utilizzo, controllare il prodotto e gli accessori, per escludere usura e danni. Se necessario, sostituirli con altri nuovi, come indicato nel presente manuale di istruzioni. Rispettare i requisiti tecnici.

Riparazione

Questo prodotto non contiene parti riparabili dal consumatore. Rivolgersi a un centro di assistenza autorizzato o a una persona ugualmente qualificata per farlo controllare e riparare.

Conservazione

- ◆ Spegnerlo il prodotto e scollegarlo dall'alimentazione.
- ◆ Pulire il prodotto come descritto in precedenza.
- ◆ Conservare il prodotto e gli accessori in un luogo al riparo dalla luce, dal gelo, asciutto e ben ventilato.
- ◆ Conservare sempre il prodotto in un luogo lontano dalla portata dei bambini. La temperatura di conservazione ideale è compresa tra 10 e 30 °C.
- ◆ Consigliamo di utilizzare la confezione originale per la conservazione o di coprire il prodotto con un panno o una custodia per proteggerlo dalla polvere.

Trasporto

- ◆ Spegnerlo il prodotto e scollegarlo dall'alimentazione.
- ◆ Collegare le protezioni per il trasporto, se pertinente.
- ◆ Trasportare sempre il prodotto tenendolo per le impugnature (2).
- ◆ Proteggere il prodotto da impatti forti o vibrazioni intense che possono verificarsi durante il trasporto all'interno di veicoli.
- ◆ Fissare il prodotto per evitare che scivoli o cada.

Ricerca guasti

Sospetti malfunzionamenti hanno spesso cause correggibili dall'utente. Pertanto, controllare il prodotto facendo riferimento a questa sezione. Nella maggior parte dei casi, è possibile risolvere rapidamente il problema.

Problema	Causa possibile	Soluzione
Il prodotto non si avvia	Non collegato all'alimentazione	Collegare all'alimentazione
	Cavo di alimentazione o spina difettosi	Farlo controllare da un elettricista specializzato
	Difetto elettrico di altro tipo al prodotto	Farlo controllare da un elettricista specializzato
Il prodotto non raggiunge la potenza completa	Cavo di prolunga non adatto al funzionamento con il prodotto	Utilizzare un cavo di prolunga adeguato
	Tensione dell'alimentazione (ad es., generatore) troppo bassa	Collegare a un'altra sorgente di alimentazione
	Feritoie di ventilazione bloccate	Pulire le feritoie di ventilazione
Risultato non soddisfacente	Aggitatore usurato	Sostituirlo con uno nuovo
	Aggitatore non adatto al materiale da miscelare	Utilizzare un aggitatore adeguato

Protezione dell'ambiente



Raccolta separata. Questo prodotto non deve essere smaltito insieme ai normali rifiuti domestici.

Se il prodotto Stanley Fat Max deve essere sostituito o non è più utilizzato, non effettuare lo smaltimento con i rifiuti domestici. Rendere disponibile questo prodotto per la raccolta separata.



La raccolta separata di prodotti e imballaggi usati consente il riciclaggio dei materiali e il loro riutilizzo.

Il riutilizzo dei materiali riciclati aiuta a prevenire l'inquinamento ambientale e riduce la domanda di materie prime.

È possibile che le normative locali prevedano la raccolta differenziata di prodotti elettrici domestici presso siti municipali o presso il rivenditore dove è stato acquistato un nuovo prodotto.

Stanley Europe offre un servizio di ritiro e riciclaggio dei prodotti Stanley Fat Max alla fine della loro vita utile. Per sfruttare questo servizio, restituire il prodotto a qualsiasi agente di riparazione autorizzato che lo ritirerà per vostro conto.

È possibile individuare l'agente di riparazione autorizzato più vicino rivolgendosi all'ufficio Stanley Europe di zona all'indirizzo indicato nel presente manuale. Altrimenti, è possibile consultare un elenco degli agenti di riparazione autorizzati Stanley Europe e tutti i dettagli relativi alla nostra assistenza post-vendita, nel sito Internet: www.2helpU.com

Dati tecnici

FME190	
Tensione nominale, frequenza	220 – 240 V-, 50 Hz
Potenza assorbita nominale	1600 W
Velocità a vuoto nominale n_0	180-460 giri/min 300-750 giri/min
Diametro dell'agitatore	Ø 140 mm
Filettatura di accoppiamento	M14 x 2
Volume della miscela	max. 120 l
Coppia max.	80 Nm
Classe di protezione	Classe II
Peso	circa 5,1 kg

Livello di pressione sonora LpA	84 dB (A)
Livello di potenza sonora LWA	95 dB (A)
Incertezza KpA, KWA	3 dB (A)
>ah	4,24 m/s ²

Dichiarazione di conformità CE

DIRETTIVA MACCHINE



FME190 Miscelatore

Stanley Europe dichiara che i prodotti descritti in "dati tecnici" sono conformi a:
2006/42/CE, EN 60745-1:2009 + A11:2010,
EN 60745-2-11: 2010

Questi prodotti sono conformi anche alla Direttiva 2004/108/CE (fino al 19/04/2016), 2014/30/UE (dal 20/04/2016) e 2011/65/UE. Per ulteriori informazioni, si prega di contattare Stanley Europe al seguente indirizzo o di consultare il retro del manuale.

Il sottoscritto è responsabile della compilazione del file tecnico e rilascia la presente dichiarazione per conto di Stanley

Europe.

Ray Laverick
Responsabile ingegneria
Stanley Europe, Egide Walschaertsstraat14-18,
2800 Mechelen, Belgio
26/01/2015

Garanzia

Stanley Europe realizza prodotti di qualità e offre una garanzia eccezionale per i professionisti che utilizzano i suoi apparati. Questa dichiarazione di garanzia è aggiuntiva e non pregiudica in alcun modo i diritti effettivi dell'acquirente come utente privato non professionista. La garanzia è valida sui territori degli stati membri dell'Unione Europea o dell'EFTA (Associazione europea di libero scambio).

GARANZIA COMPLETA DI UN ANNO

Se entro 12 mesi dalla data di acquisto il prodotto Stanley Europe si rivelasse difettoso a causa di imperfezioni nei materiali o nella costruzione, Stanley Europe garantisce la sostituzione gratuita di tutte le parti difettose oppure, a nostra discrezione, la sostituzione gratuita dell'intero apparato a condizione che:

- ◆ Il prodotto non sia stato utilizzato in modo scorretto ma secondo il manuale d'istruzioni.
- ◆ Il prodotto sia stato soggetto a normale usura;
- ◆ Le riparazioni non siano state tentate da persone non autorizzate;
- ◆ Sia mostrata una prova di acquisto.
- ◆ Il prodotto Stanley Fat Max sia restituito completo con tutti i componenti originali

Se si desidera presentare un reclamo, si prega di contattare il venditore o individuare l'agente di riparazione autorizzato Stanley Fat Max più vicino nel catalogo Stanley Fat Max o di rivolgersi all'ufficio Stanley di zona all'indirizzo indicato nel presente manuale. È possibile consultare un elenco degli agenti riparatori autorizzati Stanley Fat Max e tutti i dettagli relativi alla nostra assistenza post-vendita, nel sito Internet: www.stanley.eu/3

Bedoeld gebruik

Uw Stanley Fat Max FME190 roermenger is ontworpen voor het mengen van vloeibare materialen en poedermaterialen: verf, lijm/kleefstof, pleister, diktemal, alsook mortel, enz. Dit gereedschap is bestemd voor zowel professionele gebruikers als particuliere, niet-professionele gebruikers.

Instructies voor de veiligheid

Algemene veiligheidswaarschuwingen voor elektrisch gereedschap



Waarschuwing! Lees alle veiligheidswaarschuwingen en alle instructies. Het niet opvolgen van de waarschuwingen en instructies kan leiden tot een elektrische schok, brand en/of ernstig persoonlijk letsel.

Bewaar alle waarschuwingen en instructies zodat u deze later ook nog kunt raadplegen. De term 'elektrisch gereedschap' in de onderstaande vermelde waarschuwingen verwijst naar uw (met een snoer) op de netspanning aangesloten elektrisch gereedschap of naar (draadloos) elektrisch gereedschap met een accu.

1. Veiligheid op de werkplek

- Houd het werkgebied schoon en goed verlicht.** Rommelige of donkere werkplekken leiden tot ongelukken.
- Bedien elektrisch gereedschap niet in een explosieve omgeving, zoals in de nabijheid van ontvlambare vloeistoffen, gassen of stof.** Elektrisch gereedschap veroorzaakt vonken die het stof of de dampen kunnen doen ontbranden.
- Houd kinderen en omstanders op een afstand wanneer u elektrisch gereedschap bedient.** Als u wordt afgeleid, kunt u de controle over het gereedschap verliezen.

2. Elektrische veiligheid

- Stekkers van elektrisch gereedschap moeten in het stopcontact passen. Pas de stekker nooit op enige manier aan. Gebruik geen adapterstekkers samen met geaard elektrisch gereedschap.** Niet aangepaste stekkers en passende contactdozen verminderen het risico op een elektrische schok.
- Vermijd lichamelijke contact met geaarde oppervlakken zoals buizen, radiatoren, fornuizen en ijskasten.** Er bestaat een verhoogd risico op een elektrische schok als uw lichaam geaard is.
- Stel elektrisch gereedschap niet bloot aan regen of natte omstandigheden.** Als er water in een elektrisch gereedschap terecht komt, verhoogt dit het risico op een elektrische schok.

- Behandel het snoer voorzichtig. Gebruik het snoer nooit om het elektrische gereedschap te dragen of te trekken, of de stekker uit het stopcontact te halen. Houd het snoer uit de buurt van warmte, olie, scherpe randen, of bewegende onderdelen.** Beschadigde snoeren of snoeren die in de war zijn verhogen het risico op een elektrische schok.
- Als u elektrisch gereedschap buitenshuis gebruikt, dient u een verlengsnoer te gebruiken dat geschikt is voor gebruik buitenshuis.** Het gebruik van een verlengsnoer dat geschikt is voor buitenshuis, vermindert het risico op een elektrische schok.
- Als het gebruik van elektrisch gereedschap op een vochtige locatie onvermijdelijk is, dient u een stroomvoorziening te gebruiken die beveiligd is met een aardlekschakelaar.** Het gebruik van een aardlekschakelaar vermindert het risico op een elektrische schok.

3. Persoonlijke veiligheid

- Blijf alert, kijk wat u doet en gebruik uw gezond verstand wanneer u elektrisch gereedschap bedient. Gebruik het gereedschap niet als u vermoeid bent of onder de invloed van drugs, alcohol of medicatie bent.** Een moment van onoplettendheid tijdens het bedienen van elektrisch gereedschap kan leiden tot ernstig persoonlijk letsel.
- Draag persoonlijke beschermingsmiddelen. Draag altijd oogbescherming.** Beschermende uitrusting, zoals een stofmasker, antislip veiligheidsschoenen, een helm, of gehoorbescherming, gebruikt in de juiste omstandigheden, zal het risico op persoonlijk letsel verminderen.
- Vermijd onbedoeld starten. Zorg ervoor dat de schakelaar in de off-stand (uit) staat voordat u het gereedschap aansluit op de stroombron en/of accu, het oppakt of draagt.** Het dragen van elektrisch gereedschap met uw vinger op de schakelaar of het aanzetten van elektrisch gereedschap waarvan de schakelaar aan staat, zorgt voor ongelukken.
- Verwijder alle stelsleutels of moersleutels voordat u het elektrische gereedschap aan zet.** Een moersleutel of stelsleutel die in een ronddraaiend onderdeel van het elektrische gereedschap is achtergelaten, kan leiden tot persoonlijk letsel.
- Reik niet te ver. Blijf altijd stevig en in balans op de grond staan.** Dit zorgt voor betere controle van het elektrisch gereedschap in onverwachte situaties.
- Draag de juiste kleding. Draag geen loszittende kleding of sieraden. Houd uw haar, kleding en handschoenen uit de buurt van bewegende onderdelen.** Loszittende kleding, sieraden of lang haar kunnen door bewegende delen worden gegrepen.

g. Als er in hulpmiddelen worden voorzien voor het aansluiten van stofverwijdering- of verzamelapparatuur, zorg er dan voor dat deze correct worden aangesloten en gebruikt. Het gebruik van een stofverzamelaar kan aan stof gerelateerde gevaren verminderen.

4. Gebruik en onderhoud van elektrisch gereedschap

- a. **Forceer het elektrisch gereedschap niet. Gebruik het juiste elektrische gereedschap voor uw toepassing.** Het juiste elektrische gereedschap voert de werkzaamheden beter en veiliger uit waarvoor het is ontworpen.
- b. **Gebruik het elektrisch gereedschap niet als de schakelaar het apparaat niet aan en uit kan zetten.** Ieder gereedschap dat niet met de schakelaar kan worden bediend is gevaarlijk en moet worden gerepareerd.
- c. **Haal de stekker uit het stopcontact en/of neem de accu uit het gereedschap voordat u aanpassingen uitvoert, accessoires verwisselt of het elektrische gereedschap opbergt.** Dergelijke preventieve veiligheidsmaatregelen verminderen het risico dat het elektrische gereedschap per ongeluk opstart.
- d. **Berg elektrisch gereedschap dat niet wordt gebruikt op buiten het bereik van kinderen en laat geen personen die onbekend zijn met het elektrisch gereedschap of deze instructies het gereedschap bedienen.** Elektrisch gereedschap is gevaarlijk in handen van ongetrainde gebruikers.
- e. **Onderhoud elektrisch gereedschap. Controleer op verkeerde uitlijning of het grijpen van bewegende onderdelen, breuk van onderdelen en andere omstandigheden die de werking van het gereedschap nadelig kunnen beïnvloeden. Zorg dat het gereedschap voor gebruik wordt gerepareerd als het beschadigd is.** Veel ongelukken worden veroorzaakt door slecht onderhouden gereedschap.
- f. **Houd snijgereedschap scherp en schoon.** Correct onderhouden snijgereedschap met scherpe snijdranden loopt minder snel vast en is gemakkelijker te beheersen.
- g. **Gebruik het elektrisch gereedschap, de accessoires en gereedschapsonderdelen, etc. in overeenstemming met deze instructies, waarbij u rekening houdt met de werkomstandigheden en de uit te voeren werkzaamheden.** Gebruik van het elektrische gereedschap voor werkzaamheden die anders zijn dan het bedoelde gebruik, kunnen leiden tot een gevaarlijke situatie.

5. Onderhoud

- a. **Laat uw gereedschap onderhouden door een erkende reparateur die uitsluitend identieke vervangende onderdelen gebruikt.** Dit zorgt ervoor dat de veiligheid van het gereedschap blijft gegarandeerd.

Bijkomende veiligheidswaarschuwingen voor roermengers.

- ◆ Klem het product nooit in een bankschroef of een werkbank om het als een vast gereedschap te gebruiken. Dit kan ernstig letsel veroorzaken.
- ◆ Schakel het product onmiddellijk uit als het opzetstuk komt te zitten. Let op, er kan zich een hoge reactiekoppel voordoen, wat terugslag kan veroorzaken. Het opzetstuk blokkeert bij overbelasting van het product of komt in het werkstuk vast te zitten.
- ◆ Draag beschermende kleding, stofmaskers en beschermende handschoenen wanneer u dit product gebruikt. Tijdens het gebruik van dit product kan er stof worden geproduceerd, kan er gespetter optreden en kunnen er materialen of vloeistoffen in het rond vliegen. Vele soorten stof worden als kankerverwekkend aanzien.
- ◆ Gebruik het product altijd met beide handen op de handgrepen. Houd de handgrepen stevig vast en zorg dat u stevig met uw voeten op een stabiele, vlakke en droge ondergrond staat. Als u de controle over het product verliest, kan dit persoonlijk letsel veroorzaken.
- ◆ Gebruik dit product niet voor het verwerken van stoffen die zeer brandbaar of mogelijk explosief zijn, zoals oplosmiddelen. Er worden vonken gevormd bij het gebruik van dit product, wat dampen kan doen ontbranden.
- ◆ Gebruik dit product alleen binnenshuis. Vocht en regen kunnen het product beschadigen of tot elektrocutie leiden. Zorg dat er geen geroerd materiaal in het product terecht komt of dat het product niet in het gemengde materiaal valt. Laat het product nakijken door een professionele elektricien. Het gemengde materiaal en vocht kunnen het product beschadigen of tot elektrocutie leiden, als ze in het product terechtkomen.
- ◆ Werk niet met stoffen die schadelijk zijn voor de gezondheid. Vele materialen zijn schadelijk wanneer ze worden verwerkt. Adem geen ongezonde stoffen in en vermijd contact met uw huid. Volg de instructies van de fabrikant en draag gepaste persoonlijke beschermingsmiddelen.
- ◆ Wacht totdat het product tot een volledige stilstand is gekomen voordat u het uit het mengmateriaal haalt en neerlegt. De emmer kan vast komen te zitten of het mengmateriaal kan in het rond vliegen. Dit kan tot controleverlies over het product leiden.

Restrisico's.

Ook al worden de relevante veiligheidsvoorschriften en de veiligheidsvoorzieningen toegepast, bepaalde risico's kunnen niet worden vermeden. Deze omvatten:

- ◆ Verwondingen die worden veroorzaakt door het aanraken van draaiende/bewegende delen.
- ◆ Gehoorbeschadiging.
- ◆ Risico op letsel wanneer er onderdelen of toebehoren worden vervangen.
- ◆ Gezondheidsrisico's die worden veroorzaakt door het inademen van stof bij het zagen van hout, in het bijzonder eik, beuk en MDF.
- ◆ Verwondingen die worden veroorzaakt door een langdurig gebruik van een gereedschap. Las regelmatig een pauze in wanneer u een gereedschap gedurende een lange periode gebruikt.

Veiligheid van andere personen

- ◆ Het is niet de bedoeling dat het apparaat wordt gebruikt door personen (waaronder kinderen) met verminderde fysieke, sensorische of psychische vermogens, of door personen die het ontbreekt aan ervaring en kennis, tenzij onder toezicht en na instructie over het gebruik van het apparaat door iemand die verantwoordelijk is voor hun veiligheid.
- ◆ Houd toezicht op kinderen zodat zij niet met het apparaat kunnen spelen.

Trilling

De aangegeven waarden voor trillingsemisatie in de technische gegevens en de verklaring van overeenstemming zijn gemeten conform een standaardtestmethode die door EN 60745 wordt geboden. Hiermee kan het ene gereedschap met het andere worden vergeleken. De aangegeven waarde voor trillingsemisatie kan ook worden gebruikt bij een voorlopige bepaling van blootstelling.

Waarschuwing! De waarde voor trillingsemisatie tijdens het werkelijke gebruik van het gereedschap kan verschillen van de aangegeven waarde afhankelijk van de manieren waarop het gereedschap wordt gebruikt. Het trillingsniveau kan hoger worden dan het aangegeven niveau. Wanneer de blootstelling aan trillingen wordt vastgesteld teneinde veiligheidsmaatregelen te bepalen die worden vereist door 2002/44/EG ter bescherming van personen die tijdens hun werk regelmatig elektrisch gereedschap gebruiken, moet bij een schatting van de blootstelling aan trillingen rekening worden gehouden met de werkelijke omstandigheden van het gebruik en de manier waarop het gereedschap wordt gebruikt. Daarbij moet ook rekening worden gehouden met alle stappen in de gebruikscyclus, zoals het moment waarop het gereedschap wordt uitgeschakeld en wanneer het gereedschap stationair loopt alsook de aanlooptijd.

Etiketten op het gereedschap

De volgende symbolen zijn samen met de datumcode op het gereedschap vermeld:



Waarschuwing! Om het risico op letsel te beperken, dient de gebruiker de gebruikershandleiding te lezen.



Draag een veiligheidsbril.



Draag gehoorbescherming.



Draag een stofmasker.



Draag handschoenen wanneer u messen hanteert.

Elektrische veiligheid



Dit apparaat is dubbel geïsoleerd; een aarding is daarom niet noodzakelijk. Controleer altijd of de stroomvoorziening overeenkomt met de spanning op het typeplaatje.

- ◆ Controleer de snoeren van het gereedschap regelmatig. Laat het snoer vervangen door de fabrikant of een erkend Stanley Fat Max-servicecentrum als het beschadigd is om elk gevaar te voorkomen.

Spanningsvallen

Inschakelstromen veroorzaken kortstondige spanningsvallen. Andere apparaten kunnen verstoord raken door ongunstige voedingsomstandigheden. Als de systeemimpedantie van de voeding lager is dan $0,34 \Omega$, is het onwaarschijnlijk dat er storingen zullen optreden.

Een verlengsnoer gebruiken

- ◆ Gebruik een goedgekeurd verlengsnoer dat geschikt is voor het ingangsvermogen van dit gereedschap (zie technische gegevens). Controleer het verlengsnoer op tekenen van schade, slijtage en ouderdom voordat u het gebruikt.
- ◆ Vervang het verlengsnoer als het beschadigd of defect is. Rol het snoer altijd volledig af als u een haspel gebruikt. Het gebruik van een verlengsnoer dat niet geschikt is voor het ingangsvermogen van het gereedschap of beschadigd of defect is, kan risico op brand en een elektrische schok veroorzaken.

Onderdelen

Dit gereedschap bevat bepaalde of alle van onderstaande onderdelen:

1. Ventilatieopeningen
2. Handgreep (links en rechts)
3. Aansluitstuk
4. Schacht
5. Roerder
6. Vastzetknop
7. Variabele snelheidsregelaar
8. Snoer met stekker
9. Moersleutel 22 mm (x 2)

Montage.

Uitpakken.

- ◆ Pak alle onderdelen uit en leg deze op een vlakke, stabiele ondergrond.
- ◆ Verwijder alle verpakkingsmateriaal en bevestigingen, indien van toepassing.
- ◆ Controleer of de inhoud van de levering compleet en niet beschadigd is. Als er onderdelen ontbreken of beschadigd zijn, gebruik het product dan niet en neem contact op met uw handelaar. Het gebruik van een onvolledig of beschadigd product kan gevaarlijk zijn voor personen en materiaal.
- ◆ Zorg dat u alle toebehoren en gereedschap hebt die nodig zijn voor de montage en het gebruik. Dit omvat tevens gepaste, persoonlijke beschermingsmiddelen.

Waarschuwing! Het product en de verpakking zijn geen speelgoed! Kinderen mogen niet met plastic tassen, folie en kleine onderdelen spelen! Er is verstikkingsgevaar!

In elkaar zetten

Waarschuwing! Het artikel moet volledig gemonteerd worden voordat u het gebruikt! Gebruik geen artikel dat slechts gedeeltelijk is gemonteerd of met beschadigde onderdelen is gemonteerd! Volg de stapsgewijze montage-instructies en bekijk de voorziene afbeeldingen om het artikel eenvoudig te monteren! Steek de stekker niet in het stopcontact zolang de montage niet is voltooid!

Roerder

Waarschuwing! Roerders zijn beschikbaar in verschillende types met verschillende vormen en diameters. Gebruik altijd de juiste roerder voor het bedoelde gebruik! Houd rekening met de technische eisen van dit product (zie het hoofdstuk "Technische gegevens") wanneer u de roerder koopt en gebruikt! De roerder kan tijdens gebruik warm worden! Wees voorzichtig! Draag beschermende handschoenen bij het hanteren van de roerder om letsel zoals brand- en snijwonden te voorkomen!

Bevestigen (Afb. A, Afb. B, Afb. C, Afb. D)

- ◆ Breng de roerder (5) op één lijn met de schacht (4). Schroef de roerder (5) rechtsom op het onderste uiteinde van de schacht (4) (Afb. A).

- ◆ Zet de lasmoer van de schacht (4) met één moersleutel (9) vast en draai de roerder (5) rechtsom vast door de lasmoer met de andere moersleutel (9) die de lasmoer vastgrijpt (Afb. B).

Opmerking! Draai de verbinding eerst met de hand vast voordat u de moersleutels gebruikt.

- ◆ Breng de schacht (4) op één lijn met het aansluitstuk (3). Schroef het schachttuiteinde met de lasmoer rechtsom in het aansluitstuk (3) (Afb. C).
- ◆ Zet het aansluitstuk (3) met één moersleutel (9) vast en draai de schacht (4) rechtsom vast door de lasmoer met de andere moersleutel (9) te grijpen (Afb. D).

Opmerking! Draai de verbinding eerst met de hand vast voordat u de moersleutels gebruikt.

Verwijderen/Vervangen (Afb. E, Afb. F)

- ◆ Zet het aansluitstuk (3) met één moersleutel (9) vast en draai de schacht (4) linksom los door de lasmoer met de andere moersleutel (9) te grijpen (Afb. E).
- ◆ Draai de lasmoer linksom los (Afb. F) en verwijder de schacht (4) van het aansluitstuk (3) (Afb. F).

Roerder (Afb. G, Afb. H)

- ◆ Zet de lasmoer van de schacht (4) met één moersleutel (9) vast en draai de roerder (5) linksom los door de lasmoer met de andere moersleutel (9) te grijpen (Afb. G).
- ◆ Draai de lasmoer linksom los (Afb. H) en verwijder de roerder (5) van de schacht (4) (Afb. H).
- ◆ Bevestig een nieuwe schacht/roerder, indien nodig.

Gebruik

Variabele snelheidsschakelaar (Afb. I)

Het product kan in de moment- of continue modus worden gebruikt.

Momentmodus

- ◆ Schakel het product in door de variabele snelheidsregelaar (7) in te drukken (Afb. I).
- ◆ Schakel het product uit door de variabele snelheidsregelaar (7) los te laten.

Continue modus

- ◆ Schakel het product in door de variabele snelheidsregelaar (7) in te drukken en houd het in deze positie (Fig. J, stap 1).
- ◆ Druk op de vastzetknop (6) en houd het in deze positie om de variabele snelheidsregelaar vast te zetten (7) (Fig. I, stap 2).
- ◆ Laat de vastzetknop (6) en variabele snelheidsregelaar (8) los. De variabele snelheidsregelaar is nu vastgezet voor continu gebruik.

- ◆ Schakel het product uit door de variabele snelheidsregelaar (7) in te drukken en los te laten.

Algemene werking

- ◆ Controleer telkens voor het gebruik of het artikel, het snoer en de toebehoren niet beschadigd zijn. Gebruik het product niet als het beschadigd of versleten is.
- ◆ Controleer nogmaals of alle toebehoren en opzetstukken juist zijn vastgemaakt.
- ◆ Houd het product altijd bij de handgrepen vast. Houd de handgrepen droog om een veilige ondersteuning te waarborgen.
- ◆ Controleer altijd of de ventilatieopeningen vrij en schoon zijn. Maak deze eventueel schoon met een zachte borstel. Belemmerde ventilatieopeningen kunnen leiden tot oververhitting en schade aan het product.
- ◆ Schakel het artikel onmiddellijk uit als u tijdens uw werkzaamheden wordt gestoord of wanneer andere mensen de werkplek betreden. Wacht tot het apparaat volledig tot stilstand is gekomen voordat u het apparaat neerlegt.
- ◆ Span u niet teveel in. Las regelmatig een pauze in om ervoor te zorgen dat u geconcentreerd blijft en volledige controle over het product hebt.

Mengen (Afb. K)

Waarschuwing! Er wordt tijdens de werking fijn stof gegenereerd! Bepaalde soorten stof zijn uiterst brandbaar en explosief! Rook niet tijdens het gebruik, houd de werkruimte vrij van warmtebronnen en open vuur! Draag altijd een stofmasker om uzelf tegen gevaren voor fijn stof te beschermen! De roerder komt tot een volledige stilstand wanneer het materiaal te vast is! Schakel het product uit, haal de roerder uit het materiaal en controleer het materiaal voordat u het product opnieuw gebruikt! Een geblokkeerde roerder kan oververhitting van de motor veroorzaken. Houd het product tijdens gebruik stevig vast. Zorg dat de roerder de emmer niet raakt! De roerder en emmer kunnen schade oplopen!

- ◆ Houd het product met 2 handen op beide handgrepen (2) vast en steek de roerder (5) in het materiaal (Afb. M).
- ◆ Druk zachtjes op de variabele snelheidsregelaar om het product op een lage snelheid te laten werken.
- ◆ Laat de roerder door het materiaal bewegen totdat het gelijkmatig en volledig is gemengd.
- ◆ Schakel het product uit. Laat de roerder tot een volledige stilstand komen voordat u deze uit het mengmateriaal haalt.

Waarschuwing: Schakel het product uit, laat het tot een volledige stilstand komen en haal de stekker uit het stopcontact, als de roerder in het mengmateriaal vast komt te zitten. Probeer dan pas het vastgelopen opzetstuk te verwijderen.

Na gebruik

Waarschuwing: Voor inspectie, onderhoud en reiniging, schakelt u het product uit, haalt u de stekker uit het stopcontact en laat u het product afkoelen!

Reiniging

- ◆ Houd het product schoon. Verwijder het vuil na elk gebruik en voor opslag.
- ◆ Het product regelmatig en grondig reinigen, zorgt voor een veilig gebruik en langere levensduur van het product.
- ◆ Controleer het product na elk gebruik op slijtage en schade. Gebruik het niet langer als u beschadigde of versleten onderdelen aantreft.

Waarschuwing: Voer alleen de reparatie- en onderhoudswerkzaamheden uit die in deze handleiding zijn vermeld! Laat alle andere werkzaamheden aan een vakbekwame technicus over!

- ◆ Maak het product schoon met een droge doek. Gebruik een borstel voor moeilijk te bereiken plaatsen.
- ◆ Maak vooral na elk gebruik de ventilatieopeningen (1) schoon met een doek en een borstel.
- ◆ Verwijder hardnekkig vuil met perslucht (max. 3 bar).

Opmerking: Maak dit product niet schoon met chemische, alkalische of agressieve schoonmaakmiddelen of ontsmettingsmiddelen, deze kunnen het oppervlak beschadigen.

- ◆ Vervang versleten of beschadigde onderdelen. Indien nodig, vervangt u de versleten onderdelen of neemt u contact op met een bevoegd servicecentrum voor reparatie voordat u het product opnieuw gebruikt.

Onderhoud

- ◆ Voor en na elk gebruik controleert u het product en de toebehoren (of opzetstukken) op slijtage en schade. Indien nodig vervangt u deze door nieuwe zoals beschreven in deze gebruikershandleiding. Houd rekening met de technische voorschriften.

Reparaties

Dit product bevat geen onderdelen die de gebruiker zelf kan repareren. Neem contact op met een erkend servicecentrum of gelijkwaardig gekwalificeerd persoon om het product na te kijken en te repareren.

Opslag

- ◆ Schakel het product uit en koppel het los van de stroomvoorziening.
- ◆ Maak het artikel schoon zoals hierboven beschreven.
- ◆ Berg het product en de toebehoren op in een donkere, droge, vorstvrije en goed geventileerde ruimte.
- ◆ Berg het product altijd op in een ruimte die voor kinderen ontoegankelijk is. De ideale opslagtemperatuur ligt tussen de 10 °C en 30 °C.

- We adviseren om voor de opslag van het product de oorspronkelijke verpakking te gebruiken of om deze met een geschikte doek of omhulsel te bedekken om het product tegen stof te beschermen.

Vervoer

- Schakel het product uit en koppel het los van de stroomvoorziening.
- Bevestig transportbeschermers, indien van toepassing.
- Draag het product altijd bij de handgrepen (2).
- Bescherm het product tegen een zware impact of sterke trillingen die zich tijdens het vervoer kunnen voordoen.
- Maak het product stevig vast om glijden of omvallen te vermijden.

Problemen oplossen

Vermeende storingen zijn vaak tot oorzaken te herleiden, die de gebruiker zelf kan verhelpen. Controleer dus eerst het product met gebruik van dit hoofdstuk. In de meeste gevallen kan het probleem snel worden verholpen.

Probleem	Mogelijke oorzaak	Oplossing
Het product wil niet starten	Niet op de voeding aangesloten	Sluit op de voeding aan
	Snoer of stekker is defect	Laat het door een vakman controleren
	Ander elektrisch defect aan het product	Laat het door een vakman controleren
Het artikel levert niet het volle vermogen	Verlengsnoer is niet geschikt voor gebruik met dit artikel	Gebruik een geschikt verlengsnoer
	De voedingsbron (bijv. een generator) heeft een te lage spanning	Sluit het artikel op een andere voedingsbron aan
	Ventilatieopeningen zijn verstopt	Maak de ventilatieopeningen schoon
Slecht resultaat	Roerder is versleten	Vervang door een nieuwe
	Roerder is niet geschikt voor het mengmateriaal	Gebruik een gepaste roerder

Milieubescherming



Gescheiden afvalinzameling. Dit product mag niet bij het normale huisafval worden aangeboden.

Als u op een dag merkt dat uw Stanley Fat Max-product aan vervanging toe is, of als u het niet meer gaat gebruiken, gooi het dan niet weg bij het huisafval. Bied dit product aan bij de gescheiden afvalinzameling.



Gescheiden inzameling van gebruikte producten of verpakkingen maakt het mogelijk dat materiaal kan worden gerecycled en nogmaals gebruikt. Het hergebruik van gerecycled materiaal helpt milieuvuiling te voorkomen en vermindert de vraag naar grondstoffen.

Plaatselijke bepalingen voorzien mogelijk in de gescheiden inzameling van elektrische producten uit een huishouden, op stedelijke inzamelingspunten of bij de detailhandelaar waar u een nieuw product aanschaft.

Stanley Europe biedt een voorziening voor het verzamelen en recyclen van Stanley Fat Max-producten wanneer zij eenmaal aan het einde van hun levensduur zijn. Stuur als u van deze service gebruik wilt maken uw product terug naar een erkend reparateur die namens ons de verzameling op zich neemt.

U kunt de locatie van de erkende reparateur die het dichtst bij u in de buurt is, opzoeken door contact op te nemen met uw plaatselijk Stanley Europe-kantoor, waarvan u het adres in deze handleiding terugvindt. U kunt ook een lijst van erkende Stanley Europe-reparateurs en de volledige details van onze aftersalesdienst en contactpersonen vinden op internet, ga naar: www.2helpU.com

Technische gegevens

FME190	
Nominale spanning, frequentie	220 – 240 V~, 50 Hz
Nominaal ingangsvermogen	1600 W
Nominale snelheid zonder belasting n ₀	180 - 460 tpm 300-750 tpm
Diameter van roerder	Ø 140 mm
Koppeldraad	M14 x 2
Mengvolume	max. 120 L
Max. aanhaalmoment	80 Nm
Beveiligingsklasse	Klasse II
Gewicht	circa 5,1 kg

Geluidsrukniveau LpA	84 dB (A)
Geluidsvermogeniveau LWA	95 dB (A)
Onzekerheid KpA, KWA	3 dB (A)
>ah	4,24 m/s ²

EG-conformiteitsverklaring

RICHTLIJN VOOR MACHINES



FME190 Roermenger

Stanley Europe verklaart dat deze producten zoals beschreven onder 'Technische gegevens' in overeenstemming zijn met:

2006/42/EG, EN 60745-1:2009 + A11:2010,
EN 60745-2-11: 2010

Deze producten zijn tevens in overeenstemming met Richtlijn 2004/108/EG (tot 19/04/2016) 2014/30/EU (vanaf 20/04/2016) en 2011/65/EU. Neem voor meer informatie contact op met Stanley Europe via het volgende adres of kijk op de achterzijde van de handleiding.

De ondergetekende is verantwoordelijk voor de samenstelling van het technische bestand en legt deze verklaring af namens

Stanley Europe.

Ray Laverick

Technisch directeur

Stanley Europe, Egide Walschaertsstraat 14-18,
2800 Mechelen, België
26/01/2015

Garantie

Stanley Europe vertrouwt op de kwaliteit van zijn producten en biedt een uitstekende garantie aan voor professionele gebruikers van het product. Deze garantie bepalingen vormen een aanvulling op uw wettelijke rechten als een particuliere niet-professionele gebruiker en beperken deze niet. De garantie is geldig binnen het grondgebied van de Lidstaten van de Europese Unie en de Europese Vrijhandelszone.

EEN JAAR VOLLEDIGE GARANTIE

Als uw Stanley Fat Max product defect raakt als gevolg van verkeerd materiaal of onjuiste constructie binnen 12 maanden na de datum van aankoop, garandeert Stanley Europe alle defecte onderdelen gratis te vervangen of – naar onze beoordeling – het apparaat gratis te vervangen, op voorwaarde dat:

- ◆ Het product niet op een verkeerde manier en aldus in overeenstemming met de handleiding is gebruikt.
- ◆ Het product in redelijke mate is versleten;
- ◆ Er geen reparaties zijn ondernomen door niet-geautoriseerde personen;
- ◆ U een aankoopbewijs kunt overleggen.
- ◆ Het Stanley Fat Max-product compleet met alle originele onderdelen wordt geretourneerd

Als u een schadeclaim wilt indienen, neem dan contact op met uw verkoper of zoek de locatie op van de dichtstbijzijnde erkende Stanley Fat Max-reparateur in de Stanley Fat Max-catalogus of neem contact op met uw plaatselijk Stanley-kantoor via het adres dat in deze handleiding staat vermeld. Een lijst van erkende Stanley Fat Max-reparateurs en volledige details over onze aftersaleservice zijn ook te vinden op internet via: www.stanley.eu/3

Uso previsto

Su mezclador de paleta Stanley Fat Max FME190 ha sido diseñado para mezclar líquido y materiales en polvo: pinturas, adhesivo, yeso, cemento, mampostería, etc. Esta herramienta ha sido diseñada para usuarios profesionales y no profesionales.

Instrucciones de seguridad

Advertencias generales de seguridad para herramientas eléctricas



¡Advertencia! Lea todas las advertencias de seguridad y todas las instrucciones. El incumplimiento de las advertencias e instrucciones que figuran a continuación podría provocar una descarga eléctrica, un incendio o lesiones graves.

Guarde todas las advertencias e instrucciones para futuras consultas. El término "herramienta eléctrica" que aparece en las advertencias siguientes se refiere a la herramienta eléctrica alimentada a través de la red eléctrica (con cable) o a la que funciona con batería (sin cable).

1. **Seguridad en la zona de trabajo**
 - a. **Mantenga su área de trabajo limpia y bien iluminada.** Las áreas en desorden u oscuras pueden provocar accidentes.
 - b. **No utilice herramientas eléctricas en atmósferas explosivas, como ambientes donde haya polvo, gases o líquidos inflamables.** Las herramientas eléctricas originan chispas que pueden inflamar el polvo o los gases.
 - c. **Mantenga alejados a los niños y a las personas que estén cerca mientras utiliza una herramienta eléctrica.** Las distracciones pueden provocar la pérdida de control.
2. **Seguridad eléctrica**
 - a. **Los enchufes de las herramientas eléctricas deben corresponderse con la toma de corriente. No modifique nunca el enchufe de ninguna forma. No utilice ningún enchufe adaptador con herramientas eléctricas conectadas a tierra.** Los enchufes no modificados y las tomas de corriente correspondientes reducirán el riesgo de descarga eléctrica.
 - b. **Evite el contacto corporal con superficies conectadas a tierra, tales como tuberías, radiadores, cocinas y neveras.** Existe un mayor riesgo de descarga eléctrica si su propio cuerpo está conectado a tierra.
 - c. **No exponga las herramientas eléctricas a la lluvia ni a condiciones húmedas.** Si entra agua a una herramienta eléctrica aumentará el riesgo de descarga eléctrica.
 - d. **No someta el cable de alimentación a abusos. No use nunca el cable para transportar, tirar de la herramienta eléctrica o desenchufarla.** Mantenga el cable alejado del calor, aceite, bordes afilados y piezas en movimiento. Los cables dañados o enredados aumentan el riesgo de descarga eléctrica.
 - e. **Cuando esté utilizando una herramienta eléctrica al aire libre, use un cable alargador adecuado para uso en exteriores.** La utilización de un cable adecuado para el uso en exteriores reduce el riesgo de descarga eléctrica.
 - f. **Si no puede evitar utilizar una herramienta eléctrica en un lugar húmedo, use un suministro protegido con un dispositivo de corriente residual (RCD, por sus siglas en inglés).** El uso de un dispositivo de corriente residual reduce el riesgo de descarga eléctrica.
3. **Seguridad personal**
 - a. **Manténgase alerta, esté atento a lo que hace y use el sentido común cuando utilice una herramienta eléctrica. No use una herramienta eléctrica cuando esté cansado o bajo los efectos de drogas, medicamentos o alcohol.** Un momento de falta de atención cuando se manejan las herramientas eléctricas puede ocasionar lesiones graves.
 - b. **Utilice equipo de seguridad personal. Use siempre protección ocular.** El uso de equipo de protección, como mascarillas para polvo, calzado de seguridad antideslizante, cascos o protección auditiva en las condiciones adecuadas reducirá las lesiones.
 - c. **Evite la puesta en funcionamiento involuntaria. Asegúrese de que el interruptor esté en posición de apagado antes de conectar a la fuente de alimentación o a la batería, o de levantar o transportar la herramienta.** El transportar herramientas eléctricas con el dedo puesto en el interruptor o herramientas eléctricas activadoras que tengan el interruptor encendido puede provocar accidentes.
 - d. **Saque toda llave de ajuste o llave inglesa antes de encender la herramienta eléctrica.** Una llave inglesa u otra llave que se deje puesta en una pieza en movimiento de la herramienta eléctrica pueden ocasionar lesiones personales.
 - e. **No se estire demasiado. Mantenga un equilibrio adecuado y la estabilidad constantemente.** Esto permite un mejor control de la herramienta eléctrica en situaciones inesperadas.
 - f. **Use la vestimenta adecuada. No use joyas ni ropa holgada. Mantenga el cabello, la ropa y los guantes alejados de las piezas en movimiento.** Las ropas holgadas, las joyas o el cabello largo pueden quedar atrapados en las piezas en movimiento.

- g. **Si se suministran dispositivos para la conexión del equipo de extracción y recogida de polvo, asegúrese de que estén conectados y de que se usen adecuadamente.** El uso de equipo de recogida de polvo puede reducir los riesgos relacionados con el polvo.
4. **Uso y cuidado de la herramienta eléctrica**
- a. **No fuerce la herramienta eléctrica. Use la herramienta eléctrica correcta para su trabajo.** La herramienta eléctrica correcta funcionará mejor y con mayor seguridad si se utiliza de acuerdo con sus características técnicas.
- b. **No utilice la herramienta eléctrica si no puede encenderse y apagarse con el interruptor.** Toda herramienta eléctrica que no pueda controlarse con el interruptor es peligrosa y debe ser reparada.
- c. **Desconecte el enchufe de la fuente de alimentación o la batería de la herramienta eléctrica antes de realizar ajustes, cambiar accesorios o guardar las herramientas eléctricas.** Dichas medidas de seguridad preventivas reducen el riesgo de poner en marcha accidentalmente la herramienta eléctrica.
- d. **Guarde las herramientas eléctricas que no esté utilizando fuera del alcance de los niños y no permita que utilicen la herramienta eléctrica las personas que no estén familiarizadas con ella o con estas instrucciones.** Las herramientas eléctricas son peligrosas en manos de personas no capacitadas.
- e. **Realice el mantenimiento de las herramientas eléctricas. Compruebe si hay desalineación o bloqueo de las piezas en movimiento, rotura de piezas y otras condiciones que puedan afectar el funcionamiento de la herramienta eléctrica. Si la herramienta eléctrica está dañada, llévela para que sea reparada antes de utilizarla.** Se ocasionan muchos accidentes por el mal mantenimiento de las herramientas eléctricas.
- f. **Mantenga las herramientas para cortar afiladas y limpias.** Hay menos probabilidad de que las herramientas para cortar con bordes afilados se bloqueen y son más fáciles de controlar.
- g. **Utilice la herramienta eléctrica, los accesorios, las brocas de la herramienta, etc., conforme a estas instrucciones, teniendo en cuenta las condiciones de trabajo y el trabajo que vaya a realizarse.** El uso de la herramienta eléctrica para operaciones que no sean las previstas puede ocasionar una situación peligrosa.
5. **Servicio**
- a. **Lleve su herramienta eléctrica para que sea reparada por una persona cualificada que use solamente piezas de recambio idénticas.** Esto garantizará la seguridad de la herramienta eléctrica.

Advertencias adicionales de seguridad de la herramienta eléctrica para el mezclador de paleta.

- ◆ Nunca sujete el producto en un tornillo de banco o un banco de trabajo para usar como herramienta fija. Esto puede ocasionar lesiones graves.
- ◆ Apague el producto de inmediato si se atasca el accesorio de la herramienta. Prepárese para una alta torsión de reacción, que podría causar rebotes. El accesorio de la herramienta se atasca si el producto se sobrecarga o se gira sobre la pieza de trabajo.
- ◆ Utilice indumentaria de protección, máscaras para polvo y guantes de protección al utilizar este producto. Mientras se utiliza este producto, puede crearse polvo, producirse salpicaduras y salir despedidos materiales o líquidos. Muchos tipos de polvo se consideran carcinogénicos.
- ◆ Siempre utilice el producto con las dos manos sobre los mangos. Sujete firmemente los mangos y asegúrese de pararse firmemente en una superficie estable, nivelada y seca. La pérdida de control sobre el producto puede causar lesiones.
- ◆ No utilice este producto para procesar sustancias que son altamente inflamables o potencialmente explosivas, tales como solventes. El uso de este producto creará chispas que pueden encender los vapores.
- ◆ Use este producto solo en interiores. La humedad y la lluvia pueden dañar el producto o causar electrocución a causa de la fuente de alimentación si los materiales mezclados penetran en el interior del producto o si el producto cae en el material mezclado. Solicite la inspección del producto por parte de un electricista profesional. El material mezclado y la humedad pueden dañar el producto o causar una electrocución si penetran dentro del producto.
- ◆ No trabaje con sustancias perjudiciales para la salud. Muchos materiales son nocivos al procesarse. No respire sustancias insalubres y evite el contacto de estas con la piel. Siga las instrucciones del fabricante y use equipos adecuados de protección personal.
- ◆ Espere hasta que el producto se detenga por completo antes de retirarlo del material mezclado y apoyarlo. El balde puede atascarse o el material mezclado puede salir despedido. Esto puede ocasionar la pérdida de control sobre el producto.

Riesgos residuales.

A pesar de la aplicación de las regulaciones de seguridad pertinentes y del uso de dispositivos de seguridad, existen determinados riesgos residuales que no pueden evitarse. Esto incluye:

- ◆ Lesiones provocadas por el contacto con las piezas giratorias/móviles.
- ◆ Deterioro auditivo.

- ◆ Riesgo de lesiones ocasionadas al cambiar piezas o accesorios.
- ◆ Daños a la salud, provocados por la respiración del polvo emitido al cortar madera, especialmente de haya, roble y tableros de fibra de densidad media.
- ◆ Lesiones ocasionadas por el uso prolongado de una herramienta. Al usar una herramienta por períodos prolongados, asegúrese de tomar descansos regulares.



Use protección para los oídos.



Utilice una mascarilla antipolvo.



Use guantes al manipular las hojas.

Seguridad de los demás

- ◆ Este aparato no está destinado para el uso por parte de personas (incluidos los niños) con capacidades físicas, sensoriales o mentales reducidas, o que carezcan de experiencia o del conocimiento necesario, a menos que estén supervisadas o reciban las instrucciones relativas al uso del aparato de parte de una persona encargada de su seguridad.
- ◆ Los niños deberán permanecer vigilados para garantizar que no jueguen con el aparato.

Vibración

Los valores de vibración declarados que se indican en los datos técnicos y la declaración de conformidad han sido medidos conforme a un método de prueba estándar, provisto por la directiva EN 60745 y pueden usarse para comparar una herramienta con otra. El valor de emisión de vibración declarado también puede usarse en una evaluación preliminar de exposición.

¡Advertencia! El valor de emisión de vibración durante el uso real de la herramienta eléctrica puede diferir del valor declarado, según las formas en que se usa la herramienta. El nivel de vibración puede aumentar por encima del nivel declarado. Al analizar la exposición a la vibración para establecer las medidas de seguridad requeridas por la directiva 2002/44/EC para proteger a las personas que usan regularmente herramientas eléctricas en sus empleos, el análisis de la exposición a la vibración debe tener en cuenta las condiciones de uso reales y la forma en que se usa la herramienta. Esto debe incluir el tener en cuenta todas las partes del ciclo de operación, tales como los momentos en que se apaga la herramienta y cuando se encuentra operando a ralentí, además del tiempo de arranque.

Etiquetas en la herramienta

En la herramienta, se muestran los siguientes símbolos, junto con el código de fecha:



¡Advertencia! Para reducir el riesgo de lesiones, el usuario debe leer el manual de instrucciones.



Utilice gafas o anteojos de seguridad.

Seguridad eléctrica



Esta herramienta cuenta con doble aislamiento; en consecuencia no se requiere cable a tierra. Compruebe siempre que el voltaje suministrado corresponda al indicado en la placa de características.

- ◆ Inspeccione periódicamente los cables de la herramienta. Si el cable de alimentación está dañado, debe ser reemplazado por el fabricante o un centro técnico autorizado de Stanley Fat Max a fin de evitar un peligro.

Caidas de voltaje

La corriente de flujo de entrada causa caídas de voltaje a corto plazo. En condiciones desfavorables del suministro de corriente, otros equipos pueden verse afectados. Si la impedancia del sistema del suministro de corriente es inferior a 0,34 Ω, probablemente se produzcan interferencias.

Uso de un cable prolongador

- ◆ Siempre use un cable prolongador aprobado, adecuado para la entrada de alimentación de esta herramienta (vea los datos técnicos). Antes de usar, inspeccione el cable prolongador para detectar signos de daño, desgaste y envejecimiento.
- ◆ Reemplace el cable prolongador si se encuentra dañado o defectuoso. Si utiliza un carrete de cable, desenrolle siempre el cable completamente. El uso de un cable prolongador no adecuado para la entrada de corriente de la herramienta o que esté dañado o defectuoso puede resultar en riesgo de incendio y descarga eléctrica.

Características

Esta herramienta incluye algunas o todas las características siguientes.

1. Ventilaciones de aire
2. Mango (izquierdo y derecho)
3. Cavidad
4. Eje
5. Mezclador
6. Botón de bloqueo de encendido
7. Interruptor de velocidad variable
8. Cable de alimentación con enchufe
9. Separador de montaje de 22 mm (x 2)

Ensamblaje. Desembalaje.

- ◆ Desembale todas las piezas y colóquelas en una superficie plana y estable.
- ◆ Quite todos los materiales de embalaje y dispositivos de envío, si corresponde.
- ◆ Asegúrese de que los contenidos del envío estén completos y libres de todo daño. Si detecta piezas faltantes o dañadas, no use el producto y contacte a su distribuidor. El uso de un producto incompleto o dañado representa un riesgo para las personas y los bienes.
- ◆ Verifique que tenga todos los accesorios y herramientas necesarias para el ensamblaje y operación. Esto también incluye equipos adecuados de protección personal.

¡Advertencia! ¡El producto y el embalaje no son juguetes para niños! ¡Los niños no deben jugar con las bolsas de plástico, hojas ni piezas pequeñas! ¡Existe el riesgo de atragantarse y asfixiarse!

Configuración

¡Advertencia! ¡El producto debe ensamblarse por completo antes de usar! ¡No use un producto que se ha ensamblado solo en parte o ensamblado con piezas dañadas! ¡Siga las instrucciones de ensamblaje paso a paso y use las imágenes provistas como orientación visual para ensamblar el producto fácilmente! ¡No conecte el producto a la fuente de alimentación antes de que se ensamble por completo!

Mezclador

¡Advertencia! Los mezcladores están disponibles en diferentes tipos y con diferentes formas y diámetros. ¡Siempre use el mezclador correcto de acuerdo con el uso previsto! ¡Observe los requisitos técnicos de este producto (vea la sección "Especificaciones técnicas") al comprar y usar el mezclador! ¡El mezclador se calienta durante el uso! ¡Manipúlelo con cuidado! ¡Utilice guantes de protección al manipular el mezclador para evitar lesiones como quemaduras y cortes!

Conexión (Fig. A, Fig. B, Fig. C, Fig. D)

- ◆ Alinee el mezclador (5) con el eje (4). Atornille el mezclador (5) en sentido horario en el extremo inferior del eje (4) (Fig. A).
- ◆ Bloquee la tuerca soldada del eje (4) con un separador de montaje (9) y sujete el mezclador (5) en sentido horario con el otro (9) sosteniendo la tuerca soldada (Fig. B).

¡Nota! Ajuste primero la conexión con la mano, antes de usar los separadores.

- ◆ Alinee el eje (4) con la cavidad (3). Atornille el extremo del eje con la tuerca soldada en sentido horario en la cavidad (3) (Fig. C).

- ◆ Bloquee la cavidad (3) con un separador de montaje (9) y sujete el eje (4) en sentido horario con otro separador de montaje (9) sosteniendo la tuerca soldada (Fig. D).

¡Nota! Ajuste primero la conexión con la mano, antes de usar los separadores.

Extracción/Reemplazo (Fig. E, Fig. F)

- ◆ Bloquee la cavidad (3) con un separador de montaje (9) y afloje el eje (4) en sentido antihorario con otro separador de montaje (9) sosteniendo la tuerca soldada (Fig. E).
- ◆ Afloje la tuerca soldada en sentido antihorario (Fig. F) y quite el eje (4) de la cavidad (3) (Fig. F)

Mezclador (Fig. G, Fig. H)

- ◆ Bloquee la tuerca soldada del eje (4) con un separador de montaje (9) y afloje el mezclador (5) en sentido antihorario con el otro (9) sosteniendo la tuerca soldada (Fig. G).
- ◆ Afloje la tuerca soldada en sentido antihorario (Fig. H) y quite el mezclador (5) del eje (4) (Fig. H).
- ◆ Coloque un nuevo eje/mezclador según sea necesario.

Uso

Interruptor de velocidad variable (Fig. I)

Utilice el producto en modo instantáneo o continuo.

Modo instantáneo

- ◆ Encienda el producto presionando el interruptor de velocidad variable (7) (Fig. I).
- ◆ Apague el producto liberando el interruptor de velocidad variable (7).

Modo continuo

- ◆ Encienda el producto presionando el interruptor de velocidad variable (7) y manténgalo en su posición (Fig. J, paso 1).
- ◆ Presione el botón de bloqueo de encendido (6) y manténgalo en su posición para bloquear el interruptor de velocidad variable (7) (Fig. I, paso 2).
- ◆ Libere el botón de bloqueo de encendido (6) y el interruptor de velocidad variable (8). El interruptor de velocidad variable ahora está bloqueado en encendido para su uso continuo.
- ◆ Presione y libere el interruptor de velocidad variable (7) para apagar el producto.

Funcionamiento general

- ◆ Revise el producto, su cable de alimentación, el enchufe y los accesorios para detectar daños antes de cada uso. No use el producto si está dañado o presenta desgaste.
- ◆ Compruebe nuevamente que los accesorios y elementos estén correctamente sujetos.

- ◆ Siempre sostenga el producto por sus mangos. Mantenga los mangos secos para garantizar un soporte seguro.
- ◆ Verifique que las ventilaciones de aire no tengan obstrucciones y estén siempre despejadas. Límpielas de ser necesario con un cepillo blando. Las ventilaciones de aire bloqueadas pueden ocasionar recalentamiento y daño al producto.
- ◆ Apague el producto de inmediato si otras personas ingresan al área de trabajo e interfieren con su trabajo. Siempre deje que el producto se detenga por completo antes de bajarlo.
- ◆ No trabaje en exceso. Tome descansos regulares para asegurar que pueda concentrarse en el trabajo y tenga control completo del producto.

Mezclado (Fig. K)

¡Advertencia! ¡Durante el funcionamiento, se generará un polvo fino! ¡Algunos polvos son altamente inflamables y explosivos! ¡No fume durante el funcionamiento, y mantenga las fuentes de calor y llamas abiertas alejadas del área de trabajo! ¡Siempre use una máscara para polvo para protegerse contra los peligros resultantes del polvo fino! ¡El mezclador se detendrá durante el uso si el material es demasiado firme! ¡Apague el producto, levante el mezclador fuera del material e inspeccione el material antes de usar el producto nuevamente! Un mezclador bloqueado puede causar recalentamiento del motor. Sostenga el producto firmemente durante el uso. ¡No permita que el mezclador toque el balde! ¡Esto puede ocasionar daño al mezclador y al balde!

- ◆ Sostenga el producto con las 2 manos en los mangos (2) e inserte el mezclador (5) en el material (Fig. M).
- ◆ Presione suavemente el interruptor de gatillo de velocidad variable para comenzar el funcionamiento a baja velocidad.
- ◆ Mueva el mezclador por el material hasta que se mezcle de forma uniforme y por completo.
- ◆ Apague el producto. Deje que el mezclador se detenga por completo antes de levantarlo del material mezclado.

Advertencia: Apague el producto, deje que se detenga por completo y desconéctelo de la fuente de alimentación si el mezclador se atasca en el material mezclado. Solo entonces libere el accesorio atascado.

Después de usar

Advertencia: ¡Siempre apague el producto, desconéctelo de la fuente de alimentación y deje que se enfríe antes de realizar trabajos de inspección, mantenimiento y limpieza!

Limpieza

- ◆ Mantenga limpio el producto. Quite los desechos después de cada uso y antes del almacenamiento.
- ◆ Una limpieza periódica y apropiada ayudará a garantizar un uso seguro y prolongará la vida del producto.

- ◆ Inspeccione el producto antes de cada uso para detectar piezas desgastadas y dañadas. No lo utilice si encuentra piezas rotas y desgastadas.

Advertencia: ¡Solo realice reparaciones y trabajo de mantenimiento de acuerdo con estas instrucciones! ¡Todo otro trabajo debe ser realizado por un especialista calificado!

- ◆ Limpie el producto con un paño seco. Use un cepillo para áreas difíciles de alcanzar.
- ◆ En particular, limpie las ventilaciones de aire (1) después de cada uso con un paño y un cepillo.
- ◆ Quite la suciedad muy adherida con aire a alta presión (máx. 3 bar).

Nota: No use detergentes ni desinfectantes químicos, alcalinos, abrasivos ni agresivos para limpiar este producto, ya que estos productos pueden ser perjudiciales para sus superficies.

- ◆ Inspeccione para detectar piezas desgastadas o dañadas. Reemplace las piezas desgastadas según sea necesario o contacte a un centro técnico autorizado para la reparación antes de volver a usar el producto.

Mantenimiento

- ◆ Antes y después de cada uso, inspeccione el producto y los accesorios (o aditamentos) para detectar desgaste y daños. De ser necesario, intercámbielos por nuevos tal como se describe en este manual de instrucciones. Observe los requisitos técnicos.

Reparación

Este producto no contiene piezas que puedan ser reparadas por el consumidor. Contacte a un centro técnico autorizado o una persona similarmente calificada para la inspección y reparación del producto.

Almacenamiento

- ◆ Apague el producto y desconéctelo de la fuente de alimentación.
- ◆ Limpie el producto como se describe anteriormente.
- ◆ Almacene el producto y sus accesorios en un lugar seco, seco, sin posibilidad de congelamiento y bien ventilado.
- ◆ Siempre almacene el producto en un sitio al que no puedan acceder niños. La temperatura ideal de almacenamiento es entre 10 °C y 30 °C.
- ◆ Recomendamos utilizar el embalaje original para almacenar o cubrir el producto con un paño o caja adecuados para protegerlo contra el polvo.

Transporte

- ◆ Apague el producto y desconéctelo de la fuente de alimentación.
- ◆ Coloque las protecciones de transporte, si corresponde.

- ◆ Siempre transporte el producto agarrándolo por sus mangos (2).
- ◆ Proteja el producto contra impactos o vibraciones fuertes que puedan producirse durante el transporte en vehículos.
- ◆ Sujete el producto para prevenir que se deslice o caiga.

Resolución de problemas

Las fallas sospechadas se deben con frecuencia a causas que los usuarios pueden solucionar por sí mismos. En consecuencia, inspeccione el producto usando esta sección. En la mayoría de los casos el problema puede resolverse rápidamente.

Problema	Causa posible	Solución
El producto no arranca	No conectado a la fuente de alimentación	Conectado a la fuente de alimentación
	Cable de alimentación o enchufe defectuosos	Solicite la inspección de un electricista especializado
	Otro defecto eléctrico del producto	Solicite la inspección de un electricista especializado
El producto no alcanza la potencia máxima	Cable de extensión no adecuado para operar con este producto	Utilice un cable de extensión apropiado
	La fuente de alimentación (por ej., generador) tiene voltaje demasiado bajo	Conecte a otra fuente de alimentación
	Las ventilaciones de aire están bloqueadas	Limpie las ventilaciones de aire
Resultado no satisfactorio	El mezclador está desgastado	Reemplace por uno nuevo
	Mezclador no adecuado para el material a mezclar	Use un mezclador apropiado

Stanley Europa proporciona una instalación para la recolección y reciclaje de los productos Stanley Fat Max que hayan llegado al final de su vida útil. Para aprovechar este servicio, devuelva su producto a cualquier agente de reparación autorizado, quien lo recolectará en nuestra representación.

Puede comprobar dónde se encuentra su agente de reparaciones autorizado más próximo contactando a la oficina local de Stanley Europa en la dirección indicada en este manual. También está disponible en Internet la lista de agentes de reparaciones autorizados de Stanley Europa y todos los datos de nuestro servicio de posventa y de los contactos. Puede encontrarlos en este sitio: www.2helpU.com

Datos técnicos

FME190	
Voltaje nominal, frecuencia	220 – 240 V~, 50 Hz
Entrada de corriente nominal	1600 W
Velocidad nominal sin carga n_0	180 - 460 rpm 300-750 rpm
Diámetro del mezclador	Ø 140 mm
Rosca de acople	M14 x 2
Volumen de la mezcla	máx. 120 L
Máx. par de torsión	80 Nm
Clase de protección	Clase II
Peso	aprox. 5,1 kg

Nivel de presión de sonido LpA	84 dB(A)
Nivel de potencia de sonido LWA	95 dB(A)
Incertidumbre KpA, KWA	3 dB(A)
>ah	4,24 m/s2

Protección del medioambiente



Recolección selectiva. Este producto no debe desecharse con los residuos domésticos normales.

Si un día descubre que tiene que cambiar su producto Stanley Fat Max o si ya no le sirve, no lo deseche con los residuos domésticos. Ponga este producto a disposición para su recolección separada.



La recolección separada de productos y embalajes usados permite que los materiales se reciclen y usen nuevamente.

La reutilización de materiales reciclados ayuda a prevenir la contaminación ambiental y reduce la demanda de materia prima.

Las regulaciones locales pueden establecer la recolección separada de productos eléctricos del hogar, o el desechado en basureros municipales o a través del vendedor minorista cuando compra un nuevo producto.

Declaración de conformidad con las normas europeas.

DIRECTRIZ DE MAQUINARIAS



FME190 Mezcladora de paleta

Stanley Europa declara que los productos descritos bajo

"datos técnicos" cumplen con las siguientes normas:

2006/42/EC, EN 60745-1:2009 + A11:2010,

EN 60745-2-11: 2010

Estos productos también cumplen con la Directiva 2004/108/EC (hasta el 19/04/2016) 2014/30/EU (desde el 20/04/2016) y 2011/65/EU. Si desea más información, póngase en contacto con Stanley Europa en la dirección indicada a continuación o consulte la parte posterior de este manual.

El que suscribe es responsable de la compilación del archivo técnico y realiza esta declaración en representación de

Stanley Europa.

Ray Laverick

Gerente de Ingeniería

Stanley Europe, Egide Walschaertsstraat14-18,

2800 Mechelen, Bélgica

26/01/2015

Garantía

Stanley Europa confía en la calidad de sus productos y ofrece una garantía sobresaliente para usuarios profesionales del producto. Esta declaración de garantía es adicional y de ninguna manera perjudica sus derechos contractuales como usuario no profesional. La garantía es válida dentro de los territorios de los Estados Miembros de la Unión Europea y del Área de Libre Comercio Europea.

GARANTÍA COMPLETA DE UN AÑO

Si su producto Stanley Fat Max falla debido a materiales defectuosos o mano de obra dentro de los 12 meses posteriores a la fecha de compra, Stanley Europa garantiza que reemplazará todas las piezas defectuosas sin cargo o, a nuestro criterio, reemplazará la unidad sin cargo, en tanto que:

- ◆ El producto no haya sido utilizado incorrectamente y haya sido utilizado de acuerdo con el manual de instrucciones;
- ◆ El producto se haya sometido a un desgaste lógico y normal;
- ◆ Personas no autorizadas no hayan intentado hacer reparaciones;
- ◆ Se presente prueba de compra;
- ◆ El producto Stanley Fat Max se devuelva completo con todos los componentes originales.

Si desea hacer una reclamación, contacte a su vendedor o compruebe dónde se encuentra su agente más cercano de reparaciones autorizado de Stanley Fat Max en el catálogo de Stanley Fat Max, o póngase en contacto con su oficina de Stanley en la dirección indicada en este manual. Puede obtener una lista de agentes de reparaciones autorizados de Stanley Fat Max y todos los detalles de nuestro servicio posventa en Internet en:

www.stanley.eu/3

utilização pretendida

O seu Misturador Stanley Fat Max FME190 foi concebido para a mistura de líquidos e materiais pulverulentos: tintas, colas, reboco, argamassas, etc. Esta ferramenta destina-se a utilizadores não profissionais, privados e profissionais.

Instruções de segurança

Avisos de segurança gerais relativos a ferramentas eléctricas



Atenção! Leia todos os avisos de segurança e todas as instruções. O não seguimento dos avisos e das instruções enumeradas abaixo poderá resultar em choque eléctrico, incêndio e/ou ferimentos graves.

Guarde todos os avisos e instruções para futura referência.

O termo "ferramenta eléctrica" em todos os avisos listados abaixo refere-se à sua ferramenta eléctrica alimentada pela rede eléctrica (com fios) ou à ferramenta eléctrica alimentada por bateria (sem fios).

1. Segurança na área de trabalho

- Mantenha a área de trabalho limpa e bem iluminada.** As áreas desorganizadas ou escuras são propensas a acidentes.
- Não utilize as ferramentas eléctricas em ambientes explosivos, como, por exemplo, na presença de líquidos, gases ou poeiras inflamáveis.** As ferramentas eléctricas criam faíscas que poderão inflamar estas poeiras ou vapores.
- Mantenha as crianças e outras pessoas à distância quando utilizar a ferramenta eléctrica.** As distrações podem levar à perda do controlo da ferramenta.

2. Segurança eléctrica

- As fichas das ferramentas eléctricas têm de ser compatíveis com a tomada de electricidade. Nunca modifique a ficha de forma alguma. Não utilize fichas adaptadoras com ferramentas eléctricas ligadas à terra.** As fichas não modificadas e as tomadas compatíveis reduzem o risco de choque eléctrico.
- Evite o contacto corporal com superfícies ligadas à terra, como tubos, radiadores, fogões e frigoríficos.** Se o seu corpo estiver "ligado" à terra, o risco de choque eléctrico é maior.
- Não exponha as ferramentas eléctricas à chuva ou a condições de humidade.** A entrada de água numa ferramenta eléctrica aumenta o risco de choque eléctrico.

- Não aplique força excessiva sobre o cabo. Nunca o utilize para transportar, puxar ou desligar a ferramenta eléctrica. Mantenha o cabo afastado de fontes de calor, substâncias oleosas, extremidades aguçadas ou peças móveis.** Os cabos danificados ou emaranhados aumentam o risco de choque eléctrico.
- Ao utilizar uma ferramenta eléctrica no exterior, use uma extensão adequada para utilização ao ar livre.** A utilização de um cabo adequado para uso ao ar livre reduz o risco de choque eléctrico.
- Se não for possível evitar trabalhar com uma ferramenta eléctrica num local húmido, utilize uma fonte de alimentação protegida por um dispositivo de corrente residual (DCR).** A utilização de um DCR reduz o risco de choque eléctrico.

3. Segurança pessoal

- Mantenha-se atento, preste atenção ao que está a fazer e faça uso de bom senso ao operar uma ferramenta eléctrica. Não utilize uma ferramenta eléctrica quando estiver cansado ou sob o efeito de drogas, álcool ou medicamentos.** Um momento de distração durante a utilização de ferramentas eléctricas poderá resultar em ferimentos graves.
- Use equipamento de protecção pessoal. Use sempre uma protecção ocular.** O equipamento de protecção, como, por exemplo, uma máscara contra o pó, sapatos de segurança antiderrapantes, um capacete de segurança ou uma protecção auditiva, usado nas condições apropriadas, reduz o risco de ferimentos.
- Evite accionamentos acidentais. Certifique-se de que o interruptor da ferramenta está na posição de desligado antes de a ligar à tomada de electricidade e/ou inserir a bateria, ou antes de pegar ou transportar a ferramenta.** Se mantiver o dedo sobre o interruptor ao transportar ferramentas eléctricas ou se as ligar à fonte de alimentação com o interruptor ligado, poderá originar acidentes.
- Retire qualquer chave de ajuste ou chave de porcas antes de ligar a ferramenta eléctrica.** Uma chave de porcas ou chave de ajuste deixada numa peça móvel da ferramenta poderá resultar em ferimentos.
- Não se estique demasiado ao trabalhar com a ferramenta. Mantenha sempre os pés bem apoiados e um equilíbrio apropriado.** Desta forma, será mais fácil controlar a ferramenta eléctrica em situações inesperadas.
- Use vestuário adequado. Não use roupa larga nem jóias. Mantenha o cabelo, a roupa e as luvas afastados das peças móveis.** As roupas largas, as jóias ou o cabelo comprido podem ficar presos nestas peças.

- g. **Se forem fornecidos acessórios para a ligação de equipamentos de extracção e recolha de partículas, certifique-se de que estes são ligados e utilizados correctamente.** A utilização de dispositivos de extracção de partículas pode reduzir os riscos relacionados com as mesmas.
4. **Utilização e cuidados a ter com a ferramenta eléctrica**
- a. **Não utilize a ferramenta eléctrica de forma forçada. Utilize a ferramenta eléctrica correcta para o seu trabalho.** A ferramenta eléctrica adequada irá efectuar o trabalho de um modo mais eficiente e seguro se for utilizada de acordo com a capacidade para a qual foi concebida.
- b. **Não utilize a ferramenta eléctrica se o respectivo interruptor não a ligar e desligar.** Qualquer ferramenta eléctrica que não possa ser controlada através do interruptor de alimentação é perigosa e tem de ser reparada.
- c. **Retire a ficha da tomada de electricidade e/ou a bateria da ferramenta eléctrica antes de efectuar quaisquer ajustes, substituir acessórios ou guardar a ferramenta.** Estas medidas de segurança preventivas reduzem o risco de ligar a ferramenta eléctrica acidentalmente.
- d. **Guarde as ferramentas eléctricas que não estiverem a ser utilizadas fora do alcance de crianças e não permita que o equipamento seja utilizado por pessoas não familiarizadas com o mesmo ou com estas instruções.** As ferramentas eléctricas são perigosas nas mãos de pessoas que não possuam as qualificações necessárias para as manusear.
- e. **Faça a devida manutenção das ferramentas eléctricas. Verifique se as peças móveis da ferramenta eléctrica estão alinhadas e não emperram, bem como se existem peças partidas ou danificadas ou quaisquer outras condições que possam afectar o funcionamento da mesma. Se a ferramenta eléctrica estiver danificada, esta não deve ser utilizada até que seja reparada.** Muitos acidentes têm como principal causa ferramentas eléctricas com uma manutenção insuficiente.
- f. **Mantenha as ferramentas de corte sempre afiadas e limpas.** As ferramentas de corte sujeitas a uma manutenção adequada, com arestas de corte afiadas, emperram com menos frequência e controlam-se com maior facilidade.
- g. **Utilize a ferramenta eléctrica, os acessórios e as peças, etc., de acordo com estas instruções, tendo em conta as condições de trabalho e a tarefa a ser efectuada.** A utilização da ferramenta eléctrica para fins diferentes dos previstos poderá resultar em situações perigosas.

5. Assistência

- a. **A sua ferramenta eléctrica só deve ser reparada por um técnico qualificado e só devem ser utilizadas peças sobresselentes originais.** Desta forma, é garantida a segurança da ferramenta eléctrica.

Avisos de segurança adicionais relativos a ferramentas eléctricas para o misturador.

- ◆ Nunca fixe o equipamento num torno ou numa bancada de trabalho para utilizar como uma ferramenta estacionária. Isto pode resultar em lesões graves.
- ◆ Desligue imediatamente o equipamento se o acessório da ferramenta bloquear. Esteja preparado para binários de reacção elevados que podem resultar num efeito de recuo. O acessório da ferramenta ficará bloqueado se o equipamento estiver sobrecarregado ou ficar entrançado na peça de trabalho.
- ◆ Use vestuário de protecção, máscaras anti-poeira e luvas de protecção quando utilizar este equipamento. Enquanto este equipamento estiver a ser utilizado, pode ser criada poeira ou podem ocorrer salpicos e o material ou os líquidos podem ser lançados. Vários tipos de poeiras são considerados cancerígenos.
- ◆ Utilize sempre o equipamento com as duas mãos nos punhos. Segure sempre com firmeza os punhos e garanta que os seus pés estão fixos num solo estável, nivelado e seco. A perda de controlo sobre o equipamento pode resultar em lesões pessoais.
- ◆ Não utilize este equipamento para processar substâncias que sejam altamente inflamáveis ou potencialmente explosivas, tal como solventes. A utilização deste equipamento irá criar faíscas que podem inflamar vapores.
- ◆ Apenas utilize este equipamento em espaços interiores. A humidade e a chuva podem danificar o equipamento ou podem resultar em electrocução da fonte de alimentação, no caso de materiais remexidos entrarem no interior do equipamento ou de o equipamento cair sobre os materiais que irão ser remexidos. Solicite a um electricista profissional que inspecione o equipamento. O material remexido e a humidade podem danificar o equipamento ou resultar em electrocução caso entrem no interior do equipamento.
- ◆ Não trabalhe com quaisquer substâncias que sejam prejudiciais para a sua saúde. Vários materiais são nocivos quando são processados. Não respire quaisquer substâncias não saudáveis e evite o contacto com a sua pele. Siga as instruções dos fabricantes e use equipamento de protecção pessoal adequado.

- ◆ Aguarde até que o equipamento se paralise completamente antes de o remover do material que está a ser remexido e de o pousar. O balde pode ser esmagado ou o material remexido pode ser lançado. Isto pode resultar numa perda de controlo sobre o equipamento.

Riscos residuais.

Mesmo com a aplicação dos regulamentos de segurança relevantes e a implementação de dispositivos de segurança, alguns riscos residuais não podem ser evitados. Estes incluem:

- ◆ Ferimentos causados ao tocar nas peças rotativas/móveis.
- ◆ Danos auditivos.
- ◆ Risco de lesões quando trocar quaisquer peças, ou acessórios.
- ◆ Perigos de saúde provocados pela inalação de poeiras produzidas durante o corte de madeira, especialmente carvalho, faia e placas de fibra de densidade média.
- ◆ Ferimentos causados pela utilização prolongada de uma ferramenta. Quando utilizar qualquer ferramenta por períodos prolongados, certifique-se de que faz pausas regulares.

Segurança dos outros

- ◆ Este aparelho não deve ser utilizado por pessoas (incluindo crianças) com capacidades físicas, sensoriais ou mentais reduzidas ou com falta de experiência e conhecimentos, a menos que sejam acompanhadas ou tenham recebido formação sobre a utilização deste equipamento por uma pessoa responsável pela sua segurança.
- ◆ As crianças devem ser vigiadas, para garantir que não brincam com o aparelho.

Vibração

Os valores de emissão de vibração indicados nos dados técnicos e na declaração de conformidade foram calculados de acordo com um método de teste padrão fornecido pela EN 60745 e poderão ser utilizados para comparar uma ferramenta com outra. Os valores de emissão de vibração também podem ser utilizados numa avaliação preliminar de exposição.

Atenção! Os valores de emissão de vibração durante a utilização real da ferramenta eléctrica podem diferir dos valores declarados dependendo da forma em que a ferramenta é utilizada. O nível de vibração pode aumentar acima do nível indicado.

Aquando da avaliação da exposição de vibração para determinar as medidas de segurança exigidas pela 2002/44/CE para proteger as pessoas que utilizam ferramentas eléctricas com regularidade no emprego, um cálculo da exposição de vibração deve considerar as condições reais de utilização e a forma como a ferramenta é utilizada, incluindo todas as partes do ciclo de funcionamento, tal como o tempo em que a ferramenta está desligada e quando está a funcionar ao ralenti além do tempo de accionamento.

Etiquetas colocadas na ferramenta

Os seguintes símbolos, em conjunto com o código de data, são apresentados na ferramenta:



Atenção! Para reduzir o risco de ferimentos, o utilizador deve ler o manual de instruções.



Use óculos de segurança ou viseiras.



Use uma protecção auditiva.



Utilize uma máscara anti-poeira.



Use luvas quando tocar nas lâminas.

Segurança eléctrica



Esta ferramenta tem um isolamento duplo; por conseguinte, não é necessário um fio de terra. Verifique sempre se a tensão da tomada de electricidade corresponde à voltagem indicada na placa com os requisitos de alimentação da ferramenta.

- ◆ Inspeccione periodicamente os cabos da ferramenta. Se o cabo de alimentação estiver danificado, deve ser substituído pelo fabricante ou um Centro de Assistência autorizado da Stanley Fat Max de modo a evitar riscos.

Queda de tensão

As correntes de partida causam quedas de tensão num curto período de tempo. Sob condições desfavoráveis da fonte de alimentação, outro equipamento pode ser afectado. Se a impedância da fonte de alimentação do sistema for inferior a 0,34 Ω, é improvável que ocorram perturbações.

Utilizar uma extensão

- ◆ Use sempre uma extensão aprovada que seja adequada para a potência de alimentação desta ferramenta (consulte os dados técnicos).

Antes de utilizar, inspecione a extensão quanto a sinais de danos, desgaste e envelhecimento.

- ◆ Substitua a extensão caso esteja danificada ou defeituosa. Ao utilizar uma bobina de cabo, desenrole sempre o cabo na íntegra. A utilização de uma extensão não adequada para a potência de alimentação da ferramenta ou que esteja danificada ou defeituosa pode resultar num risco de incêndio e choques eléctricos.

Características

Esta ferramenta inclui parte ou a totalidade das seguintes características.

1. Saídas de ventilação
2. Punho (esquerdo e direito)
3. Bocal
4. Eixo
5. Agitador
6. Botão de bloqueio
7. Interruptor de velocidade variável
8. Cabo eléctrico com ficha
9. Chave inglesa de montagem de 22 mm (x 2)

Montagem.

Desembalagem.

- ◆ Desembale todas as peças e pouse-as numa superfície estável e plana.
- ◆ Remova todos os materiais de embalagem e instrumentos de transporte, se aplicável.
- ◆ Certifique-se de que os conteúdos de entrega estão completos e sem quaisquer danos. Se descobrir que faltam peças ou existem danos, não utilize o equipamento e contacte o seu revendedor. A utilização de um equipamento incompleto e danificado representa um perigo para as pessoas e propriedade.
- ◆ Certifique-se de que tem todos os acessórios e ferramentas necessários para a montagem e utilização. Isto também inclui o equipamento de protecção pessoal adequado.

Atenção! O equipamento e a embalagem não são brinquedos para as crianças! As crianças não devem brincar com os sacos de plástico, as folhas e as peças pequenas! Existe o perigo de asfixia e sufocação!

Instalação

Atenção! O equipamento deve estar totalmente montado antes de o utilizar! Não utilize um equipamento que apenas esteja parcialmente montado ou montado com peças danificadas! Siga as instruções de montagem passo a passo e utilize as imagens fornecidas como um guia visual para montar facilmente o equipamento! Não ligue o equipamento a uma fonte de alimentação antes de estar totalmente montado!

Agitador

Atenção! Os agitadores estão disponíveis em diferentes tipos e com diferentes formas e diâmetros. Utilize sempre o agitador correcto de acordo com a utilização pretendida! Cumpra os requisitos técnicos deste equipamento (consulte a secção "Especificações técnicas") quando adquirir e utilizar um agitador! O agitador fica quente durante a utilização! Manuseie-os com cuidado! Use luvas de protecção quando manusear o agitador de modo a evitar lesões como queimaduras e cortes!

Montagem (Fig. A, Fig. B, Fig. C, Fig. D)

- ◆ Alinhe o agitador (5) com o eixo (4). Aperte o agitador (5) no sentido dos ponteiros do relógio na extremidade inferior do eixo (4) (Fig. A).
- ◆ Bloqueie a porca soldada do eixo (4) com uma chave inglesa de montagem (9) e prenda o agitador (5) no sentido dos ponteiros do relógio com a outra (9) enquanto agarra na porca soldada (Fig. B).

Nota! Aperte primeiro o lado de ligação com firmeza antes de utilizar as chaves inglesas.

- ◆ Alinhe o eixo (4) com o bocal (3). Aperte a extremidade do eixo com a porca soldada no sentido dos ponteiros do relógio no bocal (3) (Fig. C).
- ◆ Bloqueie o bocal (3) com uma chave inglesa de montagem (9) e prenda o eixo (4) no sentido dos ponteiros do relógio com a outra chave inglesa (9) enquanto agarra na porca soldada (Fig. D).

Nota! Aperte primeiro o lado de ligação com firmeza antes de utilizar as chaves inglesas.

Remoção/Substituição (Fig. E, Fig. F)

- ◆ Bloqueie o bocal (3) com uma chave inglesa de montagem (9) e desaperte o eixo (4) no sentido contrário ao dos ponteiros do relógio com a outra chave inglesa (9) enquanto agarra na porca soldada (Fig. E).
- ◆ Desaperte a porca soldada no sentido contrário ao dos ponteiros do relógio (Fig. F) e remova o eixo (4) do bocal (3) (Fig. F)

Agitador (Fig. G, Fig. H)

- ◆ Bloqueie a porca soldada do eixo (4) com uma chave inglesa de montagem (9) e desaperte o agitador (5) no sentido contrário ao dos ponteiros do relógio com a outra chave inglesa de montagem (9) enquanto agarra na porca soldada (Fig. G).
- ◆ Desaperte a porca soldada no sentido contrário ao dos ponteiros do relógio (Fig. H) e remova o agitador (5) do eixo (4) (Fig. H)
- ◆ Instale um novo eixo/agitador conforme necessário.

Utilização

Interruptor de velocidade variável (Fig. I)

Opere o equipamento no modo instantâneo ou contínuo.

Modo instantâneo

- ◆ Ligue o equipamento ao premir o interruptor de velocidade variável (7) (Fig. I).
- ◆ Desligue o equipamento ao libertar o interruptor de velocidade variável (7).

Modo contínuo

- ◆ Ligue o equipamento ao premir o interruptor de velocidade variável (7) e mantenha-o premido (Fig. J, passo 1).
- ◆ Prima o botão de bloqueio (6) e mantenha-o nessa posição para bloquear o interruptor de velocidade variável (7) (Fig. I, passo 2).
- ◆ Liberte o botão de bloqueio (6) e o interruptor de velocidade variável (8). O interruptor de velocidade variável está agora bloqueado para utilização contínua.
- ◆ Accione e liberte o interruptor de velocidade variável (7) para desligar o equipamento.

Funcionamento geral

- ◆ Verifique o equipamento, o respectivo cabo eléctrico e a ficha, assim como os acessórios, quanto a danos antes de cada utilização. Não utilize o equipamento caso esteja danificado ou apresente sinais de desgaste.
- ◆ Verifique duas vezes se os acessórios e dispositivos complementares estão correctamente fixos.
- ◆ Segure sempre o equipamento pelos respectivos punhos. Mantenha os punhos secos para garantir um apoio seguro.
- ◆ Certifique-se de que as aberturas de ventilação estão sempre desobstruídas e livres. Se necessário, limpe-as com uma escova suave. As aberturas de ventilação podem resultar no sobreaquecimento e danos no equipamento.
- ◆ Desligue imediatamente o equipamento se for interrompido por outras pessoas que entrem na área de trabalho enquanto estiver a trabalhar. Permita sempre que o equipamento se paralise completamente antes de o pousar.
- ◆ Não trabalhe demasiado. Faça intervalos regulares de modo a garantir que se pode concentrar no trabalho e tem total controlo sobre o equipamento.

Mistura (Fig. K)

Atenção! Durante a operação será criada poeira fina! Alguma poeira é altamente inflamável e explosiva! Não fume durante a operação e mantenha as fontes de calor e chamas abertas afastadas da área de trabalho!

Use sempre uma máscara anti-poeira para se proteger contra os perigos que resultam da poeira fina! O agitador irá parar durante a operação caso o material seja demasiado sólido! Desligue o equipamento, levante o agitador para fora do material e inspeccione o material antes de utilizar novamente o equipamento! Um agitador bloqueado pode resultar no sobreaquecimento do motor. Segure no equipamento com firmeza durante a operação. Não permita que o agitador toque no balde! Isto pode resultar em danos no agitador e no balde!

- ◆ Segure no equipamento com as 2 mãos em ambos os punhos (2) e introduza o agitador (5) no material (Fig. M).
- ◆ Prima suavemente o interruptor de velocidade variável para iniciar a operação a baixa velocidade.
- ◆ Mova o agitador pelo material até que esteja uniforme e completamente misturado.
- ◆ Desligue o equipamento. Permita que o agitador pare completamente antes de o levantar para fora do material de mistura.

Atenção: Desligue o equipamento, permita que o mesmo pare completamente e desligue-o da fonte de alimentação se o agitador ficar preso no material de mistura. Apenas liberte o acessório encastrado depois disso.

Após a utilização

Atenção: Desligue sempre o equipamento, desligue o equipamento da fonte de alimentação e permita que o equipamento arrefeça antes de realizar trabalhos de limpeza, manutenção e inspecção!

Limpeza

- ◆ Mantenha o equipamento limpo. Remova os detritos do mesmo após cada utilização e antes de o guardar.
- ◆ A limpeza regular e adequada irá ajudar a garantir a utilização segura e prolongar a vida útil do equipamento.
- ◆ Inspeccione o equipamento antes de cada utilização quanto a peças danificadas e gastas. Se encontrar peças gastas e danificadas, não utilize o equipamento.

Atenção: Apenas realize reparações e trabalhos de manutenção de acordo com estas instruções! Todos os trabalhos adicionais devem ser realizados por um especialista qualificado!

- ◆ Limpe o equipamento com um pano seco. Utilize uma escova para as áreas que sejam difíceis de alcançar.
- ◆ Em particular, limpe as aberturas de ventilação (1) após cada utilização com um pano e uma escova.
- ◆ Remova a sujidade resistente com ar de alta pressão (máx. 3 bar).

Nota: Não utilize detergentes químicos, alcalinos, abrasivos ou outros detergentes agressivos ou desinfetantes para limpar este equipamento uma vez que podem ser prejudiciais para as respectivas superfícies.

- ◆ Verifique se existem peças gastas ou danificadas. Substitua as peças gastas conforme necessário ou contacte um centro de assistência autorizado para reparação antes de utilizar novamente o equipamento.

Manutenção

- ◆ Antes e depois de cada utilização, verifique se o equipamento e os acessórios (ou dispositivos complementares) apresentam desgaste e danos. Se necessário, substitua-os por novos conforme descrito neste manual de instruções. Cumpra os requisitos técnicos.

Reparação

Este equipamento não contém quaisquer peças que podem ser reparadas pelo consumidor. Contacte um centro de assistência autorizado ou uma pessoa igualmente qualificada para inspecionar e reparar o equipamento.

Armazenamento

- ◆ Desligue o equipamento e desligue-o da fonte de alimentação.
- ◆ Limpe o equipamento conforme descrito acima.
- ◆ Guarde o equipamento e os respectivos acessórios num lugar escuro, seco, não gelado e bem ventilado.
- ◆ Guarde sempre o equipamento num lugar inacessível às crianças. A temperatura de armazenamento ideal encontra-se entre os 10 °C e os 30 °C.
- ◆ Recomenda-se que utilize a embalagem original para armazenamento ou que cubra o equipamento com um invólucro ou pano adequado para o proteger contra a poeira.

Transporte

- ◆ Desligue o equipamento e desligue-o da fonte de alimentação.
- ◆ Instale as protecções de transporte, se aplicável.
- ◆ Transporte sempre o equipamento pelos respectivos punhos (2).
- ◆ Proteja o equipamento contra qualquer impacto pesado ou vibrações fortes que possam ocorrer durante o transporte em veículos.
- ◆ Fixe o equipamento de modo a impedir que escorregue ou caia.

Resolução de problemas

As avarias suspeitas ocorrem normalmente devido a causas que os próprios utilizadores podem resolver. Por conseguinte, verifique o equipamento de acordo com esta secção. Na maioria dos casos, o problema pode ser resolvido rapidamente.

Problema	Causa possível	Solução
O equipamento não liga	Não ligado à fonte de alimentação	Ligue-o à fonte de alimentação
	O cabo eléctrico ou a ficha estão defeituosos	Solicite a respectiva inspecção a um electricista especializado
	Outros defeitos eléctricos do equipamento	Solicite a respectiva inspecção a um electricista especializado
O equipamento não atinge a potência total	A extensão não é adequada para utilizar com este equipamento	Utilize uma extensão adequada
	A fonte de alimentação (p. ex., gerador) tem uma tensão baixa	Ligue-o a outra fonte de alimentação
	As aberturas de ventilação estão bloqueadas	Limpe as aberturas de ventilação
Resultado não satisfatório	O agitador está gasto	Substitua por um novo
	O agitador não é adequado para o material a misturar	Utilize o agitador adequado

Protecção do ambiente



Faça uma recolha de lixo selectiva. Este produto não deve ser eliminado juntamente com o lixo doméstico normal.

Se verificar que é necessário substituir o equipamento da Stanley Fat Max ou já não tiver utilidade, não se desfaça do mesmo juntamente com o lixo doméstico. Disponibilize este produto para recolha selectiva.



A recolha selectiva de embalagens e produtos usados permite que os materiais sejam reciclados e utilizados novamente.

A reutilização de materiais reciclados ajuda a prevenir a poluição ambiental e reduz a procura de matérias-primas.

Os regulamentos locais podem especificar a recolha selectiva de produtos eléctricos na sua residência, em centros municipais de resíduos ou através do revendedor que lhe fornecer um novo produto.

A Stanley Europe disponibiliza um serviço de recolha e reciclagem dos equipamentos da Stanley Fat Max quando estes tiverem atingido o fim da sua vida útil. Para tirar partido deste serviço, entregue o seu produto em qualquer agente de reparação autorizado, o qual procederá à respectiva recolha em nosso nome.

Poderá verificar a localização do agente de reparação autorizado mais perto de si contactando o representante local da Stanley Europe através da morada indicada neste manual. Em alternativa, poderá encontrar na Internet uma lista dos agentes de reparação autorizados da Stanley Europe, bem como os dados de contacto completos do nosso serviço pós-venda: www.2helpU.com

O abaixo assinado é responsável pela compilação do ficheiro técnico e faz esta declaração em nome da Stanley Europe.



Ray Laverick
Gestor de Engenharia
Stanley Europe, Egide Walschaertsstraat14-18,
2800 Mechelen, Bélgica
01/26/2015

Dados técnicos

FME190	
Tensão nominal, frequência	220 – 240 V~, 50 Hz
Entrada de potência nominal	1600 W
Velocidade nominal sem carga n_0	180 - 460 rpm 300-750 rpm
Diâmetro do agitador	Ø 140 mm
Rosca de acoplamento	M14 x 2
Volume de mistura	máx. 120 L
Binário máximo	80 Nm
Classe de protecção	Classe II
Peso	aprox. 5,1 kg

Nível de pressão sonora L_{pA}	84 dB (A)
Nível de potência acústica LWA	95 dB (A)
Variabilidade K_{pA} , KWA	3 dB (A)
>ah	4,24 m/s ²

Declaração de conformidade da CE
DIRECTIVA “MÁQUINAS”



Misturador FME190

A Stanley Europe declara que os produtos descritos em “Dados técnicos” se encontram em conformidade com as seguintes normas e directivas:

2006/42/CE, EN 60745-1:2009 + A11:2010,
EN 60745-2-11: 2010

Estes produtos também estão em conformidade com a Directiva 2004/108/CE (até 19/04/2016), 2014/30/UE (a partir de 20/04/2016) e 2011/65/UE. Para obter mais informações, contacte a Stanley Europe através da morada indicada em seguida ou consulte o verso do manual.

Garantia

A Stanley Europe confia na qualidade dos seus produtos e, como tal, oferece uma garantia excepcional aos utilizadores profissionais deste equipamento. Esta declaração de garantia é um suplemento e não prejudica os seus direitos contratuais enquanto utilizador privado não profissional. A garantia é válida nos Estados-membros da União Europeia e nos países-membros da Zona Europeia de Comércio Livre.

GARANTIA DE UM ANO COMPLETO

Se o seu produto da Stanley Fat Max apresentar um funcionamento anómalo resultante de materiais ou mão-de-obra defeituosos num período de 12 meses após a respectiva data de compra, a Stanley Europe garante a substituição gratuita de todas as peças defeituosas ou, de acordo com o nosso critério, a substituição gratuita da unidade, desde que:

- ◆ O equipamento não tenha sido utilizado incorrectamente e tenha sido utilizado de acordo com o manual de instruções.
- ◆ O equipamento apenas tenha sido sujeito a um desgaste normal;
- ◆ Não tenham sido realizadas reparações por pessoas não autorizadas;
- ◆ Seja apresentada uma prova de compra.
- ◆ O equipamento da Stanley Fat Max seja devolvido juntamente com a respectiva embalagem e todos os componentes originais

Se pretender recorrer à assistência técnica concedida pela garantia, contacte o seu revendedor ou verifique a localização do agente de reparação autorizado da Stanley Fat Max mais perto de si no catálogo da Stanley Fat Max ou, em alternativa, contacte o representante local da Stanley através da morada indicada neste manual. Poderá encontrar na Internet uma lista dos agentes de reparação autorizados da Stanley Fat Max, bem como os dados de contacto completos do nosso serviço pós-venda:
www.stanley.eu/3

Avsedd användning

Din Stanley Fat Max FME190 paddelblandare är konstruerad för att blanda vätska och pulveriserade material: färg, lim/klister, puts, gjutmaterial och murbruk o.s.v. Verktøget är avsett för yrkesmässigt och privat, icke-yrkesmässigt bruk.

Säkerhetsinstruktioner

Allmänna säkerhetsvarningar för elverktøg



Varning! Läs alla säkerhetsvarningar och instruktioner. Underlåtenhet att följa varningarna och instruktionerna som anges nedan kan resultera i elektrisk stöt, eldsvåda och/eller allvarlig personskada.

Spara alla varningar och instruktioner för kommande referens. Termen "elverktøg" i varningarna syftar på ditt nätströmsdrivna (sladdanslutna) elverktøg eller batteridrivna (sladdlösa) elverktøg.

1. Säkerhet vid arbetsområdet

- Håll arbetsområdet rent och ordentligt upplyst.** Belamrade eller mörka områden inbjuder till olyckor.
- Använd inte elverktøg i explosiva atmosfärer, såsom närvaro av lättantändliga vätskor, gaser eller damm.** Elektriska verktyg ge upphov till gnistor som kan antända dammet eller ångorna.
- Håll barn och åskådare på avstånd medan du arbetar med ett elverktøg.** Störningarna kan göra att du tappar kontrollen.

2. Elsäkerhet

- Kontakterna till elverktøget måste passa uttaget. Modifiera aldrig kontakten på något sätt. Använd inte några adapterpluggar med jordanslutna (jordade) elektriska verktyg.** Omodifierade kontakter och matchande uttag minskar risken för elektrisk stöt.
- Undvik kroppskontakt med jordanslutna eller jordade ytor såsom rör, värmeelement, spisar och kylskåp.** Det finns en ökad risk för elektrisk stöt om din kropp är jordanslutna eller jordad.
- Utsätt inte elverktøg för regn eller våta förhållanden.** Vatten som kommer in i ett elverktøg ökar risken för elektrisk stöt.
- Missbruka inte sladden. Använd aldrig sladden till att bära, dra eller koppla bort elverktøget från strömmen. Håll sladden borta från värme, olja, skarpa kanter eller rörliga delar.** Skadade eller tilltrasslade sladdar ökar risken för elektrisk stöt.
- När du arbetar med ett elverktøg utomhus ska du använda en förlängningssladd som är lämplig för utomhusbruk.**

Användning av en sladd som passar för utomhusanvändning minskar risken för elektrisk stöt.

- Om arbete med ett elverktøg i en fuktig lokal är oundvikligt ska du använda ett uttag som är skyddat med jordfelsbrytare (RCD).**

Användning av en RCD minskar risken för elektrisk stöt.

3. Personlig säkerhet

- Var vaksam, var uppmärksam på vad du gör och använd sunt förnuft när du arbetar med ett elverktøg. Använd inte ett elverktøg när du är trött eller påverkad av droger, alkohol eller medicinering.** Ett ögonblicks uppmärksamhet när du arbetar med elektriska verktyg kan resultera i allvarlig personskada.
- Använd personlig skyddsutrustning. Använd alltid skyddsglasögon.** Skyddsutrustning såsom dammfilterskydd, halksäkra säkerhetsskor, skyddshjälm eller hörselskydd som används för lämpliga förhållanden minskar personskadorna.
- Förebygg oavsiktlig start. Se till att strömbrytaren är i fränläge innan du ansluter verktyget till strömkällan och/eller batteripaketet eller plockar upp eller bär verktyget.** Att bära elektriska verktyg med ditt finger på strömbrytaren eller att strömsätta elektriska verktyg som har strömbrytaren på är att invitera olyckor.
- Avlägsna eventuella justeringsnycklar eller skiftnycklar innan du startar elverktøget.** En skiftnyckel eller en nyckel som sitter kvar på en roterande del av elverktøget kan resultera i personskada.
- Bøj dig inte för långt. Ha ordentligt fötfäste och balans hela tiden.** Detta möjliggör bättre kontroll av elverktøget i oväntade situationer.
- Klä dig på lämpligt sätt. Bär inte lösa kläder eller smycken. Håll hår, beklädnad och handskar borta från delar i rörelse.** Lösa kläder, smycken eller långt hår kan fastna i rörliga delar.
- Om det finns anordningar för anslutning av apparater för dammutrensning och -insamling ska du se till att dessa är anslutna och används på korrekt sätt.** Användning av dammuppsamling kan minska dammrelaterade faror.

4. Användning och skötsel av elverktøg

- Tvinga inte elverktøget. Använd det korrekta elverktøget för din tillämpning.** Det korrekta elverktøget gör arbetet bättre och säkrare vid den hastighet för vilket det konstruerades.
- Använd inte elverktøget om strömbrytaren inte sätter på och stänger av det.** Ett elverktøg som inte kan kontrolleras med strömbrytaren är farligt och måste repareras.

- c. **Koppla ur kontakten från strömkällan och/eller batteripaketet och från elverktyget innan du gör några justeringar, byter tillbehör eller lägger elverktyg i förvaring.** Sådana förebyggande säkerhetsåtgärder minskar risken att oavsiktligt starta elverktyget.
- d. **Förvara elverktyg som inte används utom räckhåll för barn, och låt inte personer som är obekanta med elverktyget eller med dessa instruktioner använda det.** Elektriska verktyg är farliga i händerna på utbildade användare.
- e. **Underhåll elverktyg. Kontrollera om det finns feljusteringar, om rörliga delar har fastnat eller om det har uppstått bristning hos delar och andra eventuella förhållanden som kan komma att påverka elverktygets funktion. Om det är skadat, se till att elverktyget blir reparerat före användning.** Många olyckor orsakas av dåligt underhållna elektriska verktyg.
- f. **Håll kapningsverktyg vassa och rena.** Ordentligt underhållna kapningsverktyg med vassa sågkanter är mindre sannolika att fastna och är lättare att kontrollera.
- g. **Använd elverktyget, tillbehören och verktygssatserna o.s.v. i enlighet med dessa instruktioner och ta hänsyn till arbetsförhållandena och det arbete som ska utföras.** Användningen av elverktyget för andra verksamheter än de som det är avsett för skulle kunna resultera i en farlig situation.

5. Service

- a. **Se till att ditt elverktyg får service av en kvalificerad reparatör som endast använder identiska ersättningsdelar.** Detta säkerställer att elverktygets säkerhet bibehålls.

Ytterligare säkerhetsvarningar för elverktyg och paddelblandaren.

- ◆ Kläm aldrig fast produkten i en skruvklämma eller i en arbetsbänk för att använda den som ett stationärt verktyg. Detta kan leda till allvarliga personskador.
- ◆ Stäng omedelbart av produkten om verktygets tillbehör fastnar. Var förberedd på vridmoment med hög reaktionshastighet, vilka kan medföra rekylar. Verktygets tillbehör kommer att fastna om produkten överbelastas eller trasslar in sig i arbetsstycket.
- ◆ Bär skyddskläder, andningskydd och skyddshandskar när du använder produkten. Damm kan skapas, stänk kan förekomma och material eller vätskor kan slungas runt när produkten används. Många typer av damm anses vara cancerframkallande.
- ◆ Använd alltid produkten med båda händerna placerade på handtagen. Håll i handtagen med ett fast grepp och se till att du står stadigt på ett stabilt, jämnt och torrt underlag. Förlust av kontroll över produkten kan leda till personskada.

- ◆ Använd inte produkten för att bearbeta ämnen som är lättantändliga eller potentiellt explosiva såsom lösningsmedel. Vid användning av denna produkt skapas gnistor, vilka kan antända avdunstningar.
- ◆ Använd endast produkten inomhus. Fukt och regn kan skada produkten eller leda till dödsfall genom elektrisk stöt från strömförsörjningen. Detta kan inträffa om det omrörda materialet tränger in i produktens inandöme eller om produkten faller ned i det material som rörs om. Låt en certifierad elektriker inspektera produkten. Det omrörda materialet och fukten kan skada produkten eller leda till dödsfall genom elektrisk stöt om det tränger in i produktens inandöme.
- ◆ Arbeta inte med några ämnen som kan vara hälsovådliga. Många material är skadliga när de bearbetas. Andas inte in skadliga ämnen och undvik hudkontakt. Följ tillverkarens anvisningar och bär lämplig personlig skyddsutrustning.
- ◆ Vänta tills produkten har stannat helt innan du avlägsnar den från det material som blandas och ställer ned den. Hinken kan fastna eller det omrörda materialet kan slungas runt. Detta kan leda till förlust av kontroll över produkten.

Dolda risker.

Trots tillämpning av relevanta säkerhetsbestämmelser och implementering av säkerhetsapparater kan vissa dolda risker inte undvikas. Dessa omfattar:

- ◆ Personskador som uppstår vid kontakt med roterande/rörliga delar.
- ◆ Hörselnedsättning.
- ◆ Risk för personskada vid byte av delar eller tillbehör.
- ◆ Hälsofara som orsakas av inandning av damm som uppkommer vid sågning av trä, särskilt ek, bok och spånskivor.
- ◆ Personskador till följd av långvarig användning av ett verktyg. Se till att ta regelbundna pauser när ett verktyg används under långa perioder.

Andras säkerhet

- ◆ Denna apparat är inte avsedd att användas av personer (inklusive barn) med reducerad fysisk, sensorisk eller mental förmåga eller med begränsad erfarenhet eller kunskap såvida inte de är under uppsikt eller fått instruktioner om användning av apparaten av en person som är ansvarig för deras säkerhet.
- ◆ Barn bör övervakas för att garantera att de inte leker med apparaten.

Vibrationer

De deklarerade vibrationsemissionsvärden som anges i de tekniska uppgifterna och försäkran om överensstämmelse har uppmätts i enlighet med en standardtestmetod enligt EN 60745 och kan användas för att jämföra två verktyg med varandra. Det deklarerade vibrationsemissionsvärdet kan också användas vid en preliminär exponeringsutvärdering.

Varning! Vibrationsemissionsvärdet vid faktisk användning av elverktyget kan skilja sig från det angivna värdet beroende på hur verktyget används. Vibrationsnivån kan överskrida den angivna nivån. Vid vibrationsutvärderingar för att avgöra vilka säkerhetsåtgärder som krävs enligt 2002/44/EC för att skydda personer som regelbundet använder elverktyg i arbetet bör en beräkning av vibrationsexponering ta hänsyn till de faktiska användningsförhållandena samt hur verktyget används, inklusive driftscykelns alla delar, exempelvis när verktyget stängs av och när det körs på tomgång, utöver drifttiden.

Etiketter på verktyget

Följande piktogram visas på verktyget tillsammans med datumkoden:



Varning! Användaren måste läsa instruktionshandboken för att minska risken för personskada.



Bär skyddsglasögon.



Bär öronskydd.



Använd ett andningsskydd.



Bär handskar vid hantering av sågklingor.

Elsäkerhet



Detta verktyg är dubbelisolerat och därför krävs ingen jordanslutning. Kontrollera alltid att spänningen på nätet motsvarar den spänning som finns angiven på märkplåten.

- ◆ Inspektera regelbundet verktygets sladdar. Om strömsladden är skadad måste den bytas ut av tillverkaren eller av ett servicecenter som är auktoriserat av Stanley Fat Max för att undvika fara.

Spänningsfall

Stötström orsakar korta spänningsfall. Annan utrustning kan påverkas vid oegynnsamma strömförhållanden.

Om impedansen i systemets strömförsörjning understiger 0,34 Ω är det osannolikt att störningar inträffar.

Användning av förlängningssladd

- ◆ Använd alltid en godkänd förlängningssladd som är lämplig för verktygets ineffekt (se tekniska data). Inspektera förlängningssladden för tecken på skada, slitage eller åldrande innan du använder den.
- ◆ Ersätt förlängningssladden om den är skadad eller defekt. Om du använder en sladdvinda, vira alltid av sladden fullständigt. Om en förlängningssladd som inte är lämplig för verktygets ineffekt eller som är skadad eller defekt används kan detta leda till risk för eldsvåda eller elektrisk stöt.

Egenskaper

Verktyget har vissa eller alla av följande egenskaper.

1. Luftventiler
2. Handtag (vänster och höger)
3. Sockel
4. Skaft
5. Blandare
6. Låsknapp
7. Variabel hastighetskontroll
8. Strömsladd med kontakt
9. Skruvnyckel för montering, 22 mm (x 2)

Montering. Uppackning.

- ◆ Packa upp alla delarna och lägg ut dem på en jämn, stabil yta.
- ◆ Avlägsna allt förpackningsmaterial och övrigt leveransmaterial, om tillämpligt.
- ◆ Säkerställ att allt levererat innehåll är komplett och fritt från skador. Använd inte produkten och kontakta din återförsäljare om du upptäcker att delar saknas eller uppvisar skador. Det är farligt för personer och egendom om en ofullständig eller skadad produkt används.
- ◆ Säkerställ att du har alla tillbehör och verktyg som krävs för montering och drift. Detta inbegriper även lämplig personlig skyddsutrustning.

Varning! Produkten och förpackningen är inte barnleksaker! Barn ska inte leka med påsar eller ark av plast eller smådelar! Det finns risk för kvävning!

Montering

Varning! Produkten måste monteras helt innan drift! Använd inte en produkt som bara är delvis monterad eller som har monterats med skadade delar! Följ monteringsinstruktionerna steg för steg och använd de medföljande bilderna som ett visuellt hjälpmedel för att enkelt montera produkten! Anslut inte produkten till ett strömuttag innan den är färdigmonterad!

Blandare

Varning! Blandare finns tillgängliga i olika typer och med olika utföranden och diametrar. Använd alltid rätt blandare för dess avsedda användning! Observera produktens tekniska krav (se avsnittet "Tekniska specifikationer") vid köp och användning av blandaren! Blandaren blir varm vid drift! Hantera den försiktigt! Bär skyddshandskar vid hantering av blandaren för att undvika personskador som brännskador och skärsår!

Fastsättning (figur A, figur B, figur C, figur D)

- ◆ Rikta in blandaren (5) mot skaffet (4). Skruva på blandaren (5) medsols på skaffets nederdel (4) (figur A).
- ◆ Lås den svetsade muttern på skaffet (4) med en monteringshylsnyckel (9) och fäst blandaren (5) medsols samtidigt som du håller fast den svetsade muttern med den andra hylsnyckeln (9) (figur B).

Obs! Dra först åt kopplingen för hand innan du använder hylsnycklarna.

- ◆ Rikta in skaffet (4) mot sockeln (3). Skruva fast skafftänden med den svetsade muttern medsols in i sockeln (3) (figur C).
- ◆ Lås sockeln (3) med en monteringshylsnyckel (9) och fäst skaffet (4) medsols samtidigt som du håller fast den svetsade muttern med den andra hylsnyckeln (9) (figur D).

Obs! Dra först åt kopplingen för hand innan du använder hylsnycklarna.

Ta bort/byta ut (figur E, figur F)

- ◆ Lås sockeln (3) med en monteringshylsnyckel (9) och lossa skaffet (4) motsols samtidigt som du håller fast den svetsade muttern med den andra hylsnyckeln (9) (figur E).
- ◆ Lossa den svetsade muttern motsols (figur F) och avlägsna skaffet (4) från sockeln (3) (figur F).

Blandare (figur G, figur H)

- ◆ Lås skaffets svetsade mutter (4) med en monteringshylsnyckel (9) och lossa blandaren (5) motsols samtidigt som du håller fast den svetsade muttern med den andra hylsnyckeln (9) (figur G).
- ◆ Lossa den svetsade muttern motsols (figur H) och avlägsna blandaren (5) från skaffet (4) (figur H).
- ◆ Fäst ett nytt skaff/ny blandare efter behov.

Drift

Variabel hastighetskontroll (figur I)

Använd antingen produkten i snabbläget eller läget för kontinuerlig drift.

Snabbläge

- ◆ Starta produkten genom att trycka på den variabla hastighetskontrollen (7) (figur I).

- ◆ Stäng av produkten genom att släppa den variabla hastighetskontrollen (7).

Läge för kontinuerlig drift

- ◆ Starta produkten genom att trycka på den variabla hastighetskontrollen (7) och håll ned den (figur J, steg 1).
- ◆ Tryck på låsknappen (6) och håll ned den för att låsa den variabla hastighetskontrollen (7) (figur J, steg 2).
- ◆ Släpp låsknappen (6) och den variabla hastighetskontrollen (8). Den variabla hastighetskontrollen är nu låst för kontinuerlig drift.
- ◆ Tryck ned och släpp den variabla hastighetskontrollen (7) för att stänga av produkten.

Allmän drift

- ◆ Kontrollera produkten, dess strömsladd, kontakten och dess tillbehör för skador före varje användning. Använd inte produkten om den är skadad eller uppvisar slitage.
- ◆ Dubbelkontrollera att tillbehören och tillsatserna är korrekta fastsatta.
- ◆ Håll alltid fast produkten i dess handtag. Håll handtagen torra för att säkerställa säkert stöd.
- ◆ Säkerställ att luftventilerna alltid är fria och rena. Rengör dem med en mjuk borste vid behov. Igensatta luftventiler kan leda till överhettning och skada på produkten.
- ◆ Stäng omedelbart av produkten om du störs i arbetet av att andra personer kommer in i arbetsområdet. Låt alltid produkten stanna helt innan du sätter ned den.
- ◆ Överansträng dig inte. Ta regelbundna pauser för att säkerställa att du kan koncentrera dig på arbetet och ha full kontroll över produkten.

Blandning (figur K)

Varning! Fint damm kommer att genereras vid drift! Vissa typer av damm är mycket lättantändliga och explosiva! Rök inte vid drift samt håll värmekällor och öppna eldslågor borta från arbetsområdet! Bär alltid andningsskydd för att skydda dig mot faror som kan uppstå på grund av fint damm! Blandaren kommer att stanna vid drift om materialet är för fast! Stäng av produkten, lyft ut blandaren från materialet och inspektera materialet innan du använder produkten igen! En blockerad blandare kan överhätta motorn. Håll i produkten stadigt under drift. Låt inte blandaren vidröra hinken! Detta kan leda till skada på blandaren och hinken!

- ◆ Håll i produkten med en hand på varje handtag (2) och för in blandaren (5) i materialet (figur M).
- ◆ Tryck försiktigt ned den variabla hastighetskontrollen för att starta produkten vid låg hastighet.
- ◆ Flytta blandaren genom materialet tills det är jämnt och har blandats helt.
- ◆ Stäng av produkten. Låt blandaren stanna helt innan du lyfter ut den från blandningsmaterialet.

Varning: Stäng av produkten, låt den stanna helt och koppla ur den från strömkällan om blandaren fastnar i blandningsmaterialet. Lossa först då det material som fastnat.

Efter användning

Varning: Stäng alltid av produkten, koppla ur den från strömkällan och låt den svalna innan du inspekterar, underhåller eller rengör produkten!

Rengöring

- ◆ Håll produkten ren. Avlägsna skräp från den efter varje användning och innan förvaring.
- ◆ Regelbunden och ordentlig rengöring bidrar till att säkerställa säker användning och förlänga produktens livslängd.
- ◆ Inspektera produkten för slitna eller skadade delar innan varje användning. Använd den inte om du hittar trasiga eller slitna delar.

Varning: Utför endast reparationer och underhåll i enlighet med dessa anvisningar! Allt ytterligare arbete måste utföras av en kvalificerad specialist!

- ◆ Rengör produkten med en torr trasa. Använd en borste på områden som är svåra att nå.
- ◆ Var särskilt noggrann med att rengöra luftventilerna (1) efter varje användning med en trasa och borste.
- ◆ Avlägsna envis smuts med tryckluft (max 3 bar).

Notera: Använd inte kemiska, alkaliska, nötande eller andra aggressiva rengörings- eller desinfektionsmedel för att rengöra produkten eftersom dessa kan skada produktens ytor.

- ◆ Kontrollera om det finns slitna eller skadade delar. Byt ut slitna delar efter behov eller kontakta ett auktoriserat servicecenter för reparationer innan du använder produkten igen.

Underhåll

- ◆ Kontrollera produkten och dess tillbehör (eller tillsatser) för slitage eller skada före och efter varje användning. Byt ut dem mot nya enligt anvisningarna i denna instruktionshandbok efter behov. Observera de tekniska kraven.

Reparation

Denna produkt innehåller inte några delar som kan repareras av konsumenten. Kontakta ett auktoriserat servicecenter eller liknande kvalificerade personer för kontroller och reparationer.

Förvaring

- ◆ Stäng av produkten och koppla ur den från strömförsörjningen.
- ◆ Rengör produkten enligt anvisningarna ovan.
- ◆ Förvara produkten och dess tillbehör på en mörk, torr, frostfri och välventilerad plats.

- ◆ Förvara alltid produkten på en plats som är oåtkomlig för barn. Den idealiska förvaringstemperaturen är mellan 10 °C och 30 °C.
- ◆ Vi rekommenderar att du förvarar produkten i dess originalförpackning eller att du täcker den med ett lämpligt tyg eller annan inneslutning som skyddar den mot damm.

Transport

- ◆ Stäng av produkten och koppla ur den från strömförsörjningen.
- ◆ Fäst transportskydden om tillämpligt.
- ◆ Bär alltid produkten i dess handtag (2).
- ◆ Skydda produkten från kraftiga stötar och starka vibrationer som kan inträffa vid transport i fordon.
- ◆ Vira fast produkten för att förhindra att den glider eller tippar.

Felsökning

Misstänkta funktionsfel har ofta orsaker som användarna kan åtgärda själva. Kontrollera därför produkten med hjälp av detta avsnitt. I de flesta fall kan problemet lösas snabbt.

Problem	Möjlig orsak	Lösning
Produkten startar inte	Inte ansluten till strömkällan	Anslut till strömkällan
	Strömladden eller kontakten är defekt	Be en elektriker kontrollera
	Annan elektrisk defekt på produkten	Be en elektriker kontrollera
Produkten når inte full effekt	Förlängningssladden är inte lämplig för produktens drift	Använd en korrekt förlängningssladd
	Strömkällan (t.ex. en generator) har för låg spänning	Anslut till en annan strömkälla
	Luftventilerna är igensatta	Rengör luftventilerna
Otillräckliga resultat	Blandaren är utsliten	Ersätt med en ny
	Blandaren är inte lämplig för det material som ska blandas	Använd en lämplig blandare

Skydd av miljön



Separat insamling. Denna produkt får inte kastas i de vanliga hushållssoporna.

Skulle du en dag upptäcka att din Stanley Fat Max-produkt behöver ersättas, eller att du inte längre har någon användning för den, ska du inte kassera den tillsammans med hushållsavfallet. Gör denna produkt tillgänglig för separat insamling.



Separat insamling av använda produkter och förpackningar möjliggör att ämnena kan återvinnas och användas igen.

Återanvändning av återvunna ämnen bidrar till att förhindra miljöföroreningar och minskar behovet av råmaterial.

Lokala bestämmelser kan ge anvisningar för separat insamling av elektriska produkter från hushållen, på kommunala avfallsanläggningar eller via återförsäljaren när du köper en ny produkt.

Stanley Europe tillhandahåller en inrättning för insamling och återvinning av Stanley Fat Max-produkter när dessa har nått slutet på sin livslängd. För att utnyttja denna tjänst, återsänd din vara till något behörigt reparationsombud, som kommer att tillvarata den å dina vägnar.

Du kan kontrollera var ditt närmaste behöriga reparationsombud finns genom att kontakta det lokala Stanley Europe-kontoret på adressen som anges i denna handbok. Alternativt finns en förteckning över reparationsombud som är auktoriserade av Stanley Europe och komplett information om vår service efter försäljning, inklusive kontaktadresser, på Internet: www.2helpU.com

Tekniska data

FME190	
Märkspänning, frekvens	220–240 V~, 50 Hz
Märkeeffekt	1 600 W
Märkvarvtal, ingen tomgång n ₀	180–460 vpm 300–750 vpm
Blandarens diameter	Ø 140 mm
Kopplingsgänga	M14 x 2
Blandarvolym	max 120 l
Maximalt vridmoment	80 Nm
Skyddsklass	Klass II
Vikt	ca 5,1 kg

Ljudtrycksnivå LpA	84 dB (A)
Ljudeffektnivå LWA	95 dB (A)
Osäkerhet KpA, KWA	3 dB (A)
>ah	4,24 m/s ²

EG-försäkringen om överensstämmelse

MASKINDIREKTIV



FME190 Paddelblandare
Stanley Europe försäkras att dessa produkter, beskrivna under "tekniska data", uppfyller:
2006/42/EC, EN 60745-1:2009 + A11:2010,
EN 60745-2-11: 2010

Dessa produkter uppfyller också direktiv 2004/108/EC (till 19/04/2016), 2014/30/EU (från 20/04/2016) och 2011/65/EU. För mer information, var god kontakta Stanley Europe på följande adress eller se handbokens baksida.

Undertecknad är ansvarig för sammanställning av den tekniska filen och utfärdar denna försäkringen å Stanley Europes vägnar.

Ray Laverick
Chefsingenjör
Stanley Europe, Egide Walschaertsstraat 14-18,
2800 Mechelen, Belgien
01/26/2015

Garanti

Stanley Europe är trygga i kvaliteten på sina produkter och erbjuder en enastående garanti till yrkesmässiga användare av produkten. Detta garantiuttalande gäller utöver, och påverkar inte på något sätt, dina avtalsenliga rättigheter som en privat, icke-yrkesmässig användare. Garantin är giltig i de territorier som tillhör medlemsstaterna i Europeiska unionen och det europeiska frihandelsområdet.

ETT ÅRS FULLSTÄNDIG GARANTI

Om din Stanley Fat Max-produkt blir defekt på grund av bristfälligt material eller tillverkning inom 12 månader efter inköpsdatum garanterar Stanley Europe att kostnadsfritt byta ut alla felaktiga delar eller – efter eget gottfinnande – kostnadsfritt byta ut enheten, förutsatt att:

- ◆ Produkten inte har missbrukats och har använts i enlighet med instruktionshandboken.
- ◆ Produkten har utsatts för rimligt slitage och nötning.
- ◆ Obehöriga personer har inte försökt utföra reparationer.
- ◆ Inköpsbevis kan visas upp.
- ◆ Stanley Fat Max-produkten återlämnas i fullständigt skick, med alla sina ursprungliga beståndsdelar.

Om du vill göra ett garantianspråk ska du kontakta din försäljare eller ta reda på var ditt närmaste reparationsombud som är auktoriserat av Stanley Fat Max finns i Stanley Fat Max-katalogen, eller kontakta ditt lokala Stanley-kontor på adressen som anges i denna handbok. En förteckning över reparationsombud som är auktoriserade av Stanley Fat Max och komplett information om vår service efter försäljning finns tillgänglig på Internet via:
www.stanley.eu/3

Tiltenkt bruk

Din Stanley Fat Max FME190 blandemaskin er beregnet for å blande væske og pulvermaterialer: maling, lim/klebemiddel, gips, sement og mørtel osv. Dette verktøyet er tiltenkt både fagarbeidere og private brukere.

Sikkerhetsinstruksjoner

Generelle sikkerhetsadvarsler for elektroverktøy



Advarsel! Les alle sikkerhetsadvarsler og alle instruksjoner. Å ikke overholde advarslene og instruksjonene oppgitt nedenfor kan føre til elektrisk støt, brann og / eller alvorlig personskade.

Ta vare på alle advarsler og instruksjoner for fremtidig bruk. Uttrykket «elektroverktøy» i advarslene nedenfor gjelder elektroverktøy drevet fra strømmnett (med ledning) eller batteridrevet elektroverktøy (trådløst).

1. Sikkerhet i arbeidsområdet

- Hold arbeidsområdet rent og godt opplyst.** Rotete eller mørke områder er som å be om ulykker.
- Ikke bruk elektriske verktøy i eksplosjonsfarlige omgivelser, som i nærheten av antenkelige væsker, gasser eller støv.** Elektrisk verktøy skaper gnister som kan antenne støv eller gasser.
- Hold barn og tilskuere borte mens du bruker et elektrisk verktøy.** Distraksjoner kan føre til at du mister kontrollen.

2. Elektrisk sikkerhet

- Støpselet til elektriske verktøy må passe til stikkkontakten. Modifiser aldri støpselet på noen måte. Ikke bruk adaptere med jordede elektroverktøy.** Umodifiserte støpsler og stikkontakter som passer vil redusere risikoen for elektrisk sjokk.
- Unngå kroppskontakt med jordete overflater slik som rør, radiatorer, komfyrer og kjøleskap.** Det er økt risiko for elektrisk støt dersom kroppen din er jordet.
- Ikke utsett elektroverktøy for regn eller våte forhold.** Dersom det kommer vann inn i elektroverktøy vil det øke risikoen for elektriske støt.
- Ikke bruk ledningen feil. Aldri bruk ledningen til å bære, trekke eller dra ut støpselet til elektroverktøyet. Hold ledningen borte fra varme, olje, skarpe kanter eller bevegelige deler.** Skadede eller sammenfiltrede ledninger øker risikoen for elektriske støt.
- Når du bruker elektroverktøy utendørs, bruk en skjøteledning som er egnet for utendørs bruk.** Bruk av en skjøteledning beregnet for utendørs bruk reduserer risikoen for elektriske støt.

- Dersom bruk av et elektroverktøy på et fuktig sted er uunngåelig, bruk en strømkilde med jordfeilbryter (RCD).**

Bruk av jordfeilbryter (RCD) reduserer risikoen for elektrisk støt.

3. Personlig sikkerhet

- Vær oppmerksom, vær nøye med det du gjør og bruk sunn fornuft når du bruker et elektroverktøy. Ikke bruk et elektroverktøy dersom du er trøtt eller er påvirket av medikamenter, narkotika eller alkohol.** Et øyeblikks uoppmerksomhet under bruk av elektroverktøy kan føre til alvorlig personskade.
- Bruk personlig verneutstyr. Bruk alltid vernebriller.** Verneutstyr som støvmaske, sklisliske vernesko, hjelm eller hørselsvern, brukt under passende forhold, vil redusere personskader.
- Unngå utilsiktet oppstart. Kontroller at bryteren er i av-stillingen før du kobler til strømkilden og/eller batteripakken, plukker opp eller bærer verktøyet.** Å bære elektroverktøy med fingeren på bryteren eller å sette inn støpselet mens elektroverktøy har bryteren på øker faren for ulykker.
- Fjern eventuelle justeringsnøkler før du slår på elektroverktøyet.** En nøkkel som er festet til en roterende del av elektroverktøyet kan føre til personskade.
- Ikke strekk deg for langt. Ha godt fotfeste og stå støtt hele tiden.** Dette fører til at du har bedre kontroll over elektroverktøyet ved uventede situasjoner.
- Bruk egnet antrekk. Ikke ha på deg løstsittende klær eller smykker. Hold hår, antrekk og hansker borte fra bevegelige deler.** Løstsittende klær, smykker og langt hår kan bli fanget opp av bevegelige deler.
- Hvis apparatet er utstyrt for tilkobling av støvutsugings- og -oppsamlingsinnretning, må du sørge for at disse er koblet til og ordentlig sikret.** Bruk av støvoppsamlere kan redusere støvrelaterte farer.

4. Bruk og vedlikehold av elektroverktøy

- Ikke bruk kraft på verktøyet. Bruk det elektroverktøyet som situasjonen krever.** Riktig elektroverktøy vil gjøre jobben bedre og tryggere ved den hastigheten det ble konstruert for.
- Ikke bruk verktøyet hvis bryteren ikke kan slå verktøyet av eller på.** Ethvert elektroverktøy som ikke kan styres med bryteren er farlig og må repareres.
- Koble støpselet fra strømkilden og/eller batteripakken fra elektroverktøyet før du foretar noen justeringer, endrer tilbehør eller lagrer elektroverktøy.** Slike preventive sikkerhetsforanstaltninger reduserer risikoen for å starte elektroverktøyet ved et uhell.

- d. **Lagre elektroverktøy som ikke er i bruk utilgjengelig for barn og la ikke personer som ikke er kjent med elektroverktøyet eller disse instruksjonene bruke det.** Elektroverktøy er farlige i hendene på brukere uten trening.
- e. **Vedlikehold av elektroverktøy. Kontroller om bevegelige deler er feiljustert eller fastskjært, om deler er ødelagt eller andre forhold som kan påvirke driften av verktøyet. Dersom det er skadet, få verktøyet reparert før neste bruk.** Mange ulykker forårsakes av dårlig vedlikeholdte verktøy.
- f. **Hold skjæreverktøy skarpe og rene.** Godt vedlikeholdte skjæreverktøy med skarpe skjærekanter har mindre sjanse for å sette seg fast og er lettere å kontrollere.
- g. **Bruk verktøyet, tilbehørene og bitene osv. i samsvar med disse instruksjonene og ta hensyn til arbeidsforholdene og det arbeidet som skal utføres.** Å bruke elektroverktøyet til andre oppgaver enn de som det er tiltenkt kan føre til en farlig situasjon.
5. **Service**
- a. **Få elektroverktøyet ditt vedlikeholdt av en kvalifisert reparatør som kun bruker originale reservedeler.** Dette vil sikre at verktøyets sikkerhet blir ivarettatt.

Ytterligere sikkerhetsadvarsler for blandemaskinen.

- ◆ Fest aldri produktet i en skrutikke eller til en arbeidsbenk for å bruke verktøyet som et fastmontert verktøy. Dette kan forårsake alvorlig personskade.
- ◆ Slå av produktet umiddelbart hvis verktøyet setter seg fast. Vær forberedt på høyt motvirkningskraft, som kan forårsake tilbakeslag. Verktøyet vil sette seg fast hvis det overbelastes eller blir bøyd i arbeidsstykket.
- ◆ Ha på beskyttende klær, støvmaske og beskyttende hansker når du bruker dette produktet. Når dette produktet brukes kan det dannes støv eller spruting kan forekomme og materiale eller væsker kan bli kastet omkring. Mange typer støv regnes for å være kreftfremkallende.
- ◆ Hold alltid begge hender på håndtakene når du bruker produktet. Hold et fast grep om håndtakene og sørg for at du står sikkert på stødig, plan og tørr grunn. Å miste kontrollen over produktet kan forårsake personskade.
- ◆ Ikke bruk dette produktet for å behandle materiale som er svært brennbar eller potensielt eksplosivt slik som løsemidler. Bruk av dette produktet vil danne gnister som kan antenne gasser.
- ◆ Bruk dette produktet kun innendørs. Fuktighet og regn kan skade produktet eller kan føre til dødelig strømstøt. Få produktet inspisert av en profesjonell elektriker. Omrørt materiale og fuktighet kan skade produktet og føre til elektrisk støt, hvis de kommer inn i produktet.

- ◆ Ikke jobb med noen substanser som er skadelig for helsen. Mange materialer er helseskadelig når de er under bearbeidelse. Ikke pust inn noen skadelige emner og unngå kontakt med huden din. Følg produsentens instruksjoner og bruk egnet personlig verneutstyr.
- ◆ Vent til produktet har stoppet helt opp før du fjerner det fra materialet som omrøres og setter det ned. Bøtten kan fastkiles eller omrørt materiale kan bli kastet omkring. Dette kan føre til tap av kontroll over produktet.

Andre farer.

Selv om de relevante sikkerhetsbestemmelsene blir fulgt og sikkerhetsinnretninger inkluderes, kan visse restrisikoer ikke unngås. Disse inkluderer:

- ◆ Personskader som forårsakes av berøring av roterende/bevegelige deler.
- ◆ Hørselskader.
- ◆ Risiko for ulykker ved skifte av deler eller tilbehør.
- ◆ Helsefare ved innånding av støv fra saging av treverk, spesielt eik, bøk og MDF.
- ◆ Personskader som forårsakes av langvarig bruk av et verktøy. Når du bruker et verktøy i lange perioder, må du sørge for å ta regelmessige pauser.

Andre personers sikkerhet

- ◆ Dette apparatet er ikke ment å brukes av personer (inkludert barn) med reduserte fysiske, sensoriske eller mentale evner, eller mangel på erfaring og kunnskap, med mindre de får tilsyn eller har blitt opplært i bruk av apparatet av en person som er ansvarlig for deres sikkerhet.
- ◆ Barn må holdes under oppsyn, sørg for at de ikke leker med apparatet.

Vibrasjoner

Utslippsverdiene for vibrasjon som er oppført i tekniske data og i samsvarserklæringen har blitt målt i samsvar med en standard testmetode angitt i EN 60745 og kan benyttes for å sammenligne et verktøy med et annet. De erklærte utslippsverdiene for vibrasjon kan også brukes i en forhåndsvurdering av eksponering.

Advarsel! Utslippsverdiene for vibrasjon under faktisk bruk av elektroverktøyet kan være forskjellig fra den erklærte verdien, avhengig av måtene verktøyet brukes på. Vibrasjonsnivået kan stige over det erklærte nivået.

Ved vurdering av vibrasjonseksposering for å fastsette sikkerhetstiltak som krevet i 2002/44/EF for å beskytte personer som regelmessig bruker elektroverktøy i arbeidet, må beregningen av vibrasjonseksposeringen ta hensyn til de faktiske forholdene under bruken av verktøyet og måten verktøyet brukes på, inkludert å ta hensyn til alle deler av arbeidssyklusen, som når verktøyet slås av og når det kjører på tomgang, i tillegg til tiden utløseren er inne.

#

Merker på verktøyet

Følgende symboler er vist på verktøyet i tillegg til datokoden:



Advarsel! Brukeren må lese bruksanvisningen for å redusere risikoen for personskade.



Bruk vernebriller eller sikkerhetsbriller



Bruk hørselvern.



Bruk en støvmaske.



Bruk hansker ved håndtering av sagblad.

Elektrisk sikkerhet



Dette verktøyet er dobbeltisolert; derfor er jordledning ikke nødvendig. Kontroller alltid at strømforsyningen samsvarer med spenningen på merkeskiltet.

- ◆ Kontroller strømledningen til verktøyet med jevne mellomrom. Hvis strømledningen er skadet, må den byttes av produsenten eller av et autorisert Stanley Fat Max-servisesenter slik at man unngår farlige situasjoner.

Spenningsfall

Høyt strømforbruk ved oppstart forårsaker kortvarige spenningsfall. Under ugunstige strømforsyningsforhold kan annet utstyr bli påvirket. Hvis systemimpedansen til strømforsyningen er på mindre enn 0,34 Ω, er det lite trolig at det oppstår forstyrrelser.

Bruk av skjøteledning

- ◆ Bruk alltid en godkjent skjøteledning som er egnet for verktøyets strømforbruk (se tekniske data). Sjekk skjøteledningen for tegn på skade, slitasje og aldri før bruk.
- ◆ Bytt ut skjøteledningen hvis den er skadet eller defekt. Vikle alltid kablen helt ut når du bruker en kabeltrommel.

Å bruke skjøteledning som ikke passer til strømforbruket til verktøyet, eller som er skadet eller defekt, kan føre til risiko for brann og elektrisk støt.

Funksjoner

Dette verktøyet har noen eller alle følgende funksjoner.

1. Ventilasjonsåpninger
2. Håndtak (venstre og høyre)
3. Sokkel
4. Skaft
5. Visp
6. Låseknapp
7. Bryter for variabel hastighet
8. Strømledning med støpsel
9. 22 mm fastnøkkel for montering (x 2)

Montering.

Pakke ut.

- ◆ Pakk ut alle delene og legg dem på en flat, stødig overflate.
- ◆ Fjern alt pakkingsmateriale og transportenheter, dersom slikt finnes.
- ◆ Sørg for at det leverte innholdet er komplett og uskadet. Hvis du finner at noen deler mangler eller er skadet, ikke bruk produktet, men kontakt forhandleren din. Bruk av et ufullstendig eller skadet produkt representerer en fare for personer og eiendom.
- ◆ Sørg for at du har alt tilbehøret og verktøyet som er nødvendig for montering og drift. Dette inkluderer også egnet personlig beskyttelsesutstyr.

Advarsel! Produktet og emballasjen er ikke leketøy for barn! Barn må ikke leke med plastposer, ark og små deler! Det er en fare for kvelning!

Oppsett

Advarsel! Produktet må være fullt montert før det tas i bruk! Ikke bruk et produkt som bare er delvis montert eller montert med skadede deler! Følg monteringsinstruksjonene trinn-for-trinn og bruk de medleverte bildene som en visuell rettleiding for enkel montering av produktet! Koble ikke produktet til strøm før det er ferdig montert!

Visp

Advarsel! Vispene er tilgjengelig i ulike varianter og med ulike utforminger og diametere. Bruk alltid riktig visp i henhold til den tiltenkte bruken! Legg merke til de tekniske kravene til dette produktet (se avsnittet «Tekniske spesifikasjoner») når du kjøper og bruker vispen! Vispen blir varm under bruk! Hånder dem varsomt! Bruk vernehansker når du håndterer vispen for å unngå skader som forbrenning og kutt!

Legger ved (Fig.A, Fig.B, Fig.C, Fig.D)

- ◆ Still vispen(5) på linje med skaftet (4). Skru vispen (5) fast med urviseren på den nedre enden av skaftet (4) (Fig. A).
- ◆ Hold fast den påsveide mutteren på skaftet (4) med en fastnøkkel (9) og skru vispen (5) med urviseren med den andre (9) om den påsveide mutteren (Fig. B).

Merk! Stram til for hånd først, før du bruker fastnøklene.

- ◆ Still skaftet (4) på linje med sokkelen (3). Skru enden på skaftet med den påsveide mutteren inn i sokkelen (3) (Fig. C).
- ◆ Hold fast sokkelen (3) med en fastnøkkel (9) og skru skaftet (4) fast med urviseren med den andre fastnøkkelen (9) rundt den påsveide mutteren (Fig. D).

Merk! Stram til for hånd først, før du bruker fastnøklene.

Fjerne/bytte ut (Fig. E, Fig. F)

- ◆ Hold fast sokkelen (3) med en fastnøkkel (9) og skru løs skaftet (4) mot urviseren med den andre fastnøkkelen (9) rundt den påsveide mutteren (Fig. E).
- ◆ Skru løs den påsveide mutteren mot urviseren (Fig. F) og fjern skaftet (4) fra sokkelen (3) (Fig. F).

Visp (Fig.G, Fig.H)

- ◆ Hold fast den påsveide mutteren på skaftet (4) med en fastnøkkel (9) og løsne vispen (5) mot urviseren med den andre fastnøkkelen (9) rundt den påsveide mutteren (Fig. G).
- ◆ Løsne den påsveide mutteren mot urviseren (Fig. H) og fjern vispen (5) fra skaftet (4) (Fig. H).
- ◆ Sett på et nytt skaft / en ny visp etter behov.

Bruk**Bryter for variabel hastighet (Fig. I)**

Bruk produktet enten i umiddelbar eller kontinuerlig modus.

Umiddelbar modus

- ◆ Slå på produktet ved å trykke inn bryteren for variabel hastighet (7) (Fig. I).
- ◆ Slå av produktet ved å slippe ut bryteren for variabel hastighet (7).

Kontinuerlig modus

- ◆ Slå på produktet ved å trykke inn bryteren for variabel hastighet (7) helt inn og hold den inne (Fig. J, trinn 1).
- ◆ Trykk låseknappen (6) og hold den inne for å låse bryteren for variabel hastighet (7) (Fig. I, trinn 2).
- ◆ Slipp låseknappen (6) og bryteren for variabel hastighet (8). Bryteren for variabel hastighet er nå låst for kontinuerlig bruk.
- ◆ Trykk inn og slipp bryteren for variabel hastighet (7) for å slå av produktet.

Generell drift

- ◆ Kontroller produktet, strømledningen og støpset i tillegg til tilbehør for skade før hver bruk. Ikke bruk produktet hvis det er skadet eller viser tegn på slitasje.
- ◆ Dobbeltsekk at tilbehør og ekstrautstyr er skikkelig festet.
- ◆ Hold alltid verktøyet i håndtakene. Hold håndtaket tørt for å sikre trygt feste.
- ◆ Sørg for at ventilasjonsåpninger alltid er uhindrede og frie. Rengjør dem om nødvendig med en myk børste. Blokkerte ventilasjonsåpninger kan føre til overoppheting og skade på produktet.
- ◆ Slå produktet av umiddelbart hvis du blir forstyrret under arbeidet av andre personer som kommer inn på arbeidsområdet. La alltid produktet stoppe helt før du legger det ned.
- ◆ Sørg for at du ikke blir overarbeidet. Ta regelmessige pauser for å sikre at du kan konsentrere deg om arbeidet og ha full kontroll over produktet.

Blanding (Fig. K)

Advarsel! Fint støv blir dannet under arbeidet. Noen typer støv er svært brennbare og eksplosive. Ikke røyk under arbeidet, hold varmekilder og åpne flammer unna arbeidsområdet! Bruk alltid en støvmaske for å beskytte deg mot helsefarer fra fint støv! Vispen vil stoppe helt opp under arbeidet hvis materialet som blandes blir for fast! Slå produktet av, løft vispen ut av materialet og sjekk materialet før du bruker produktet igjen! En blokkert visp kan føre til overoppheting av motorene. Hold produktet godt fast under arbeidet. Ikke la vispen berøre bøtten! Dette kan føre til skade på vispen og bøtten!

- ◆ Hold produktet med to hender på begge håndtakene (2) og før vispen (5) inn i materialet (Fig. M).
- ◆ Trykk inn bryteren for variabel hastighet for å begynne arbeidsoperasjonen ved lav hastighet.
- ◆ Beveg vispen gjennom materialet til det er jevnt og fullstendig blandet.
- ◆ Slå av produktet. La vispen stoppe helt før du løfter den ut av blandematerialet.

Advarsel! Slå produktet av, la det stoppe helt og koble det fra strømmettet hvis vispen blir sittende fast i blandingsmaterialet. Først da bør du frigjøre tilbehøret som sitter fast.

Etter bruk

Advarsel! Slå alltid av produktet, koble det fra strømmettet og la det kjøles ned før du kontrollerer, vedlikeholder og rengjør det!

Rengjøring

- ◆ Hold produktet rent. Fjern rester fra produktet etter hver bruk og før lagring.
- ◆ Jevnlig og grundig rengjøring vil hjelpe med å sørge for trygg bruk og forlenge levetiden til produktet.

- ◆ Inspiser produktet før hver bruk for slitte og skadede deler. Ikke bruk det hvis du finner ødelagte og slitte deler.

Advarsel: Utfør bare reparasjoner og vedlikeholdsarbeid i samsvar med disse instruksjonene! Alt videre arbeid må utføres av en kvalifisert spesialist!

- ◆ Rengjør produktet med en tørr klut. Bruk en børste for områder som er vanskelige å nå.
- ◆ Rengjør spesielt ventilasjonsåpningene (1) etter hver bruk med en klut og børste.
- ◆ Fjern skitt som sitter godt fast med trykkluft (maksimum 3 bar).

Merk: Ikke bruk kjemiske, alkaliske, slipende eller andreaggressive rengjøringsmidler eller desinfeksjonsmidler for å rengjøre dette produktet da disse kan være skadelige for produktets overflater.

- ◆ Sjekk om det er ødelagte eller skadede deler. Bytt ut slitte deler etter behov eller kontakt et autorisert servicesenter for reparasjon før du bruker produktet igjen.

Vedlikehold

- ◆ Sjekk produktet og tilbehør (eller ekstrastyr) for slitasje og skade både før og etter hver gang det brukes. Bytt ut slitte deler om nødvendig slik som beskrevet i denne bruksanvisningen. Legg merke til de tekniske kravene.

Reparasjon

Dette produktet inneholder ikke noen deler som kan repareres av forbrukeren. Ta kontakt med et autorisert servicesenter eller en tilsvarende kvalifisert person for å få det sjekket og reparert.

Lagring

- ◆ Slå produktet av og koble det fra strømmettet.
- ◆ Rengjør produktet som beskrevet over.
- ◆ Lagre produktet og dets tilbehør på et mørkt, tørt, frostfritt og godt ventilert sted.
- ◆ Lagre alltid produktet på et sted som er utilgjengelig for barn. Den ideelle lagringstemperaturen er mellom 10 °C og 30 °C.
- ◆ Vi anbefaler å bruke den originale forpakningen for lagring eller å dekke produktet med et passende tøyestykke for å beskytte det mot støv.

Transport

- ◆ Slå produktet av og koble det fra strømmettet.
- ◆ Fest transportvern, hvis relevant.
- ◆ Bær alltid produktet med håndtakene (2).
- ◆ Beskytt produktet fra eventuelle harde støt eller sterke vibrasjoner som kan forekomme under transport i kjøretøy.
- ◆ Sikre produktet for å hindre det i å skli eller falle overende.

Feilsøking

Funksjonsfeil skyldes ofte årsaker som brukerne kan fikse selv. Sjekk derfor produktet ved å bruke dette avsnittet som referanse. I de fleste tilfeller kan problemet løses raskt.

Problem	Mulig årsak	Løsning
Produktet starter ikke	Ikke koblet til strømmettet	Koble til strømmettet
	Strømledningen eller støpsetet er defekt	Sjekkes av en spesialist-elektriker
	Andre elektriske feil på produktet	Sjekkes av en spesialist-elektriker
Produktet når ikke full styrke	Skjøteledningen er ikke egnet for bruk med dette produktet	Bruk en egnet skjøteledning
	Strømkilden (f.eks. en generator) har for lav spenning	Koble til en annen strømkilde
	Ventilasjonsåpninger er blokkert	Rengjør ventilasjonsåpningene
Utilfredsstillende resultat	Vispen er slitt	Bytt til en ny
	Vispen er ikke egnet for materialet som blandes	Bruk en bedre egnet visp

Miljøvern



Separat avfallshåndtering. Dette produktet må ikke kastes sammen med vanlig husholdningsavfall.

Dersom du en dag skulle finne ut at Stanley Fat Max-produktet ditt må skiftes ut, eller dersom du ikke lenger har behov for det, må det ikke kastes sammen med husholdningsavfallet. Lever dette produktet for separat avfallshåndtering.



Separat innsamling av brukte produkter og innpakning gjør at materialene kan resirkuleres og brukes om igjen. Gjenbruk av resirkulert materiale hjelper til med å hindre miljøforurensning og reduserer etterpørselen etter råvarer.

Lokale forskrifter kan ha separat innsamling av elektriske produkter fra husholdningen ved kommunale søppelfyllinger, eller hos forhandleren der du kjøper et nytt produkt.

Stanley Europe har en ordning for innsamling og gjenbruk av Stanley Fat Max-produkter når levetiden tar slutt. For å benytte deg av denne tjenesten, vennligst returner produktet til en autorisert reparatør som vil samle det inn på vegne av oss.

Du finner nærmeste autoriserte reparatør ved å ta kontakt med ditt lokale Stanley Europe-kontor på den adressen du finner i denne bruksanvisningen. Alternativt er en liste over autoriserte Stanley Europe-reparatører og alle detaljer om service etter salg og kontakter tilgjengelig på Internett på: www.2helpU.com

Tekniske data

FME190	
Merkespennning, frekvens	220 – 240 V~, 50 Hz
Maks. effekt (inngang)	1600 W
Merket tomgangshastighet n_0	180 – 460 rpm 300 – 750 rpm
Diameter på vispen	Ø 140 mm
Sammenkoblingsgjenger	M14 x 2
Blandingsmengde	maks. 120 l
Maks moment	80 Nm
Beskyttelsesklasse	Klasse 2
Vekt	Ca. 5,1 kg

Lydtrykknivå L _{pA}	84 dB (A)
Lydeffektnivå L _{WA}	95 dB (A)
Usikkerhet K _{pA} , K _{WA}	3 dB (A)
>ah	4,24 m/s ²

EU-samsvarserklæring
MASKINDIREKTIV



FME190 Blandemaskin

Stanley Europe erklærer at de produktene som er beskrevet under «tekniske data» er i samsvar med:
2006/42/EF, EN 60745-1:2009 + A11:2010,
EN 60745-2-11: 2010

Disse produktene er også i samsvar med direktiv 2004/108/EF (inntil 19.04.2016) 2014/30/EU (fra 20.04.2016) og 2011/65/EU. For mer informasjon, vennligst kontakt Stanley Europe på følgende adresse eller se baksiden av bruksanvisningen.

Undertegnede er ansvarlig for sammenstillingen av den tekniske filen og fremsetter denne erklæringen på vegne av Stanley Europe.

Ray Leverick
Teknisk sjef
Stanley Europe, Egide Walschaertsstraat 14-18,
2800 Mechelen, Belgia
26.01.2015

Garanti

Stanley Europe er overbevist om kvaliteten på produktene sine og tilbyr en enestående garanti for profesjonelle brukere av produktet. Denne garantien er i tillegg til og erstatter ikke på noen måte dine kontraktsmessige rettigheter som privat, ikke-profesjonell bruker. Garantien er gyldig innen områdene tilhørende medlemslandene i den Europeiske Union (EU) og det Europeiske Frihandelsområdet (EFTA).

1 ÅRS FULL GARANTI

Dersom ditt Stanley Fat Max-produkt blir defekt på grunn av material- eller produksjonsfeil innen 12 måneder fra kjøpsdato, garanterer Stanley Europe å bytte ut alle defekte deler vederlagsfritt eller – etter vårt skjønn – å erstatte enheten vederlagsfritt, forutsatt at:

- ◆ Produktet har ikke blitt misbrukt og har blitt brukt i henhold til bruksanvisningen.
- ◆ Produktet har blitt utsatt bare for rimelig slitasje;
- ◆ Reparasjoner har ikke blitt forsøkt utført av uautoriserte personer;
- ◆ Kvittring fremvises.
- ◆ Stanley Fat Max-produktet returneres komplett med alle originale komponenter

Dersom du ønsker å fremsette et krav, kontakt din forhandler eller finn nærmeste autoriserte Stanley Fat Max-reparatør i Stanley Fat Max-katalogen, eller kontakt ditt lokale Stanley-kontor på adressen som er angitt i denne bruksanvisningen. En liste over autoriserte Stanley Fat Max-reparatører og informasjon om vår etter-salg service finner du på Internett under:

www.stanley.eu/3

Tilsigtet brug

Din Stanley Fat Max FME190 blandemaskine er udviklet til blanding af væsker og pulvermaterialer: maling, lim/klæbemidler, gips, puds og mørtel m.m. Dette værktøj er beregnet til professionel og privat, ikke-professionel brug.

Sikkerhedsinstruktioner

Generelle sikkerhedsadvarsler for elværktøj



Advarsel! Læs alle sikkerhedsadvarsler og alle instruktioner. Manglende overholdelse af de advarsler og instruktioner, der er angivet nedenfor, kan medføre elektrisk stød, brand og/eller alvorlig personskade.

Gem alle advarsler og instruktioner til fremtidig reference.

Termen "elværktøj" i alle advarslerne refererer til dit elektroniske (ledning) eller batteribetjente (trådløse) elværktøj.

1. Sikkerhed i arbejdsområdet

- Hold arbejdsområdet rent og oplyst.** Rod eller mørke lokaler forøger risikoen for ulykker.
- Undlad at benytte elværktøj i eksplosionsfarlige omgivelser, som f.eks. ved tilstedeværelse af brændbare væsker, gasser eller støv.** Elværktøj danner gnister, der kan antænde støv eller dampe.
- Hold børn og omkringstående på afstand, når der anvendes elektrisk værktøj.** Distractioner kan medføre, at du mister kontrollen.

2. Elsikkerhed

- Stik på elværktøj skal passe til stikkontakten. Stikket må aldrig modificeres på nogen måde. Undlad at bruge adapterstik sammen med jordforbundet elektrisk værktøj.** Umodificerede stik og dertil passende stikkontakter reducerer risikoen for elektrisk stød.
- Undgå kropskontakt med jordforbundne overflader, såsom rør, radiatorer, komfurer og køleskabe.** Der er øget risiko for elektrisk stød, hvis din krop er jordforbundet.
- Undlad at udsætte elektrisk værktøj for regn eller våde forhold.** Hvis der trænger vand ind i et elektrisk værktøj, øges risikoen for elektrisk stød.
- Undlad at udsætte ledningen for overlast. Brug aldrig ledningen til at bære, trække værktøjet eller trække det ud af stikkontakten. Hold ledningen borte fra varme, olie, skarpe kanter og bevægelige dele.** Beskadigede eller sammenfiltrede ledninger øger risikoen for elektrisk stød.
- Når elværktøj benyttes udendørs, skal der anvendes en forlængerledning, som er egnet til udendørs brug.** Brug af en ledning, der er egnet til udendørs brug,

reducerer risikoen for elektrisk stød.

- Hvis det ikke kan undgås at betjene et elektrisk værktøj i et fugtigt område, benyt en strømforsyning, der er beskyttet af en fejlstrømsafbryder.**

Ved at benytte en fejlstrømsafbryder reduceres risikoen for elektrisk stød.

3. Personlig sikkerhed

- Vær opmærksom, pas på hvad du foretager dig, og brug sund fornuft, når du benytter et elektrisk værktøj. Betjen ikke værktøjet, hvis du er træt, påvirket af narkotika, alkohol eller medicin.** Et øjeblikkelig uopmærksomhed under anvendelse af et elektrisk værktøj kan forårsage alvorlig personskade.
 - Anvend personligt beskyttelsesudstyr. Bær altid beskyttelsesbriller.** Sikkerhedsudstyr, som fx støvmaske, skridsikre sikkerhedssko, sikkerhedshjelm eller høreværn, brugt når omstændighederne foreskriver det, reducerer omfanget af personskader.
 - Undgå utilsigtet start. Sørg for, at der er slukket for kontakten, inden værktøjet tilsluttes en strømkilde og/eller batteripakke, samles op eller bæres.** Når elektrisk værktøj bæres med fingeren på kontakten eller tilsluttes, når kontakten er tændt, giver det anledning til ulykker.
 - Fjern eventuelle justerings- eller skruenøgler, før det elektriske værktøj startes.** En skruenøgle eller anden nøgle, der bliver siddende på en roterende del af elektrisk værktøj, kan give anledning til personskade.
 - Undlad at række for langt. Hold hele tiden en god fodstilling og balance.** Dette giver bedre kontrol af det elektriske værktøj, når uventede situationer opstår.
 - Bær hensigtsmæssig påklædning. Bær ikke løst tøj eller smykker.** Hold dit hår, tøj og handsker væk fra bevægelige dele. Løstsiddende tøj, smykker eller langt hår kan blive fanget i bevægelige dele.
 - Hvis der anvendes støvudsugnings- eller støvopsamlingsudstyr, skal dette tilsluttes og anvendes rigtigt.** Anvendelse af støvopsamlingsudstyr kan begrænse farer forårsaget af støv.
- #### 4. Brug og vedligeholdelse af elværktøjet
- Undlad at bruge magt på elværktøjet. Brug det værktøj, der er bedst egnet til det arbejde, der skal udføres.** Værktøjet vil klare opgaven bedre og mere sikkert med den ydelse, som det er beregnet til.
 - Undlad at benytte elværktøjet, hvis kontakten ikke tænder og slukker for det.** Alt elektrisk værktøj, der ikke kan kontrolleres med kontakten, er farligt og skal repareres.
 - Træk stikket ud af stikkontakten og/eller batteripakken fra elværktøjet, før elværktøjet justeres, dets tilbehør udskiftes eller det stilles til opbevaring.**

Sådanne forebyggende sikkerhedsforanstaltninger mindsker risikoen for, at værktøjet startes utilsigtet.

- d. **Opbevar elværktøj uden for rækkevidde af børn, og tillad ikke personer, som ikke er bekendt med dette elektriske værktøj eller disse instruktioner, at betjene værktøjet.** El-værktøj er farligt i hænderne på personer, som ikke er instrueret i brugen deraf.
- e. **Vedligeholdelse af elværktøj. Undersøg, om bevægelige dele sidder skævt, binder eller er gået itu såvel som andre forhold, der kan påvirke betjeningen af værktøjet. Hvis det elektriske værktøj er beskadiget, skal det repareres før brug.** Mange ulykker er forårsaget af dårligt vedligeholdt værktøj.
- f. **Hold skæreværktøj skarpe og rene.** Ordentligt vedligeholdt skæreværktøj med skarpe skærekanter har mindre tilbøjelighed til at binde og er lettere at styre.
- g. **Brug elværktøj, tilbehør, bor, osv. i overensstemmelse med disse instruktioner, idet der tages hensyn til arbejdsforholdene og den opgave, som skal udføres.** Brug af elektrisk værktøj til andre opgaver end dem, det er beregnet til, kan resultere i en farlig situation.

5. Service

- a. **Elværktøj skal serviceres af en kvalificeret servicetekniker, som udelukkende benytter identiske reservedele.** Derved sikres det, at værktøjets driftssikkerhed opretholdes.

Yderligere sikkerhedsadvarsler for blandemaskinen.

- ◆ Spænd aldrig produktet fast i skruestik eller arbejdsbord for at bruge det som stationært værktøj. Det kan medføre alvorlig skade.
- ◆ Sluk straks for produktet, hvis værktøjets påsætning sidder fast. Vær forberedt på høje reaktionsmomenter, der kan medføre tilbageslag. Værktøjet vil sidde fast, hvis produktet overbelastes eller bliver vredet i arbejdsmaterialet.
- ◆ Bær beskyttelsesbeklædning, støvmaske og beskyttelseshandsker ved brug af produktet. Når produktet benyttes, kan der dannes støv eller stønk, og materiale eller væske kan blive slynget omkring. Mange støvtyper vurderes som kræftfremkaldende.
- ◆ Benyt altid produktet med begge hænder på grebene. Hold godt fast i grebene og sørg for sikkert fodfæste på stabil, plant og tørt underlag. Mistet kontrol over produktet kan medføre personskade.
- ◆ Benyt ikke produktet til behandling af substanser, der er stærkt brændbare eller potentielt eksplosive såsom opløsningsmidler. Brug af produktet vil medføre gnister, der kan antænde dampe.

- ◆ Benyt kun produktet indendørs. Fugt og regn kan skade produktet eller medføre elektrisk stød fra strømforsyningen, hvis omrørt materiale trænger ind i produktet eller hvis produktet falder ned i materialet, der omrøres. Få produktet inspiceret af en professionel elektriker. Omrørt materiale og fugt kan skade produktet eller medføre elektrisk stød, hvis de trænger ind i produktet.
- ◆ Arbejd ikke med sundhedsskadelige produkter. Mange materialer er skadelige under behandling. Undlad at indånde sundhedsskadelige substanser og undgå kontakt med huden. Følg producents instruktioner og benyt egnet personligt sikkerhedsudstyr.
- ◆ Vent, indtil produktet holder helt stille, inden det fjernes fra materialet, der omrøres, og sættes til side. Spanden kan sidde fast, eller omrørt materiale kan blive slynget omkring. Dette kan medføre tab af kontrol over produktet.

Restrisici.

På trods af overholdelsen af de relevante sikkerhedsregler og brug af sikkerhedsudstyr kan visse restrisici ikke undgås. Disse omfatter:

- ◆ Skader som følge af berøring af roterende/bevægelige dele.
- ◆ Hørenedsættelse.
- ◆ Risiko for skader ved skift af dele eller tilbehør.
- ◆ Helbredsmæssige skader på grund af indånding af støv, der udvikles ved savning i træ, specielt eg, bøg og MDF.
- ◆ Skader ved længere tids brug af et værktøj. Ved brug af et værktøj i længere perioder skal der sørges for regelmæssige pauser.

Sikkerhed for andre

- ◆ Dette værktøj er ikke beregnet til anvendelse af personer (inklusive børn) med nedsatte fysiske, sensoriske eller mentale handicaps eller med mangel på erfaringer eller viden, medmindre de er under overvågning eller har fået instruktioner i brugen af værktøjet af en person, der er ansvarlig for deres sikkerhed.
- ◆ Børn skal overvåges for at sikre, at de ikke leger med udstyret.

Vibration

De deklarerede vibrationsemissionsværdier i angivet i de tekniske data og overensstemmelseserklæringen er målt i henhold til standard testmetode for EN 60745 og kan benyttes ved sammenligning af værktøjer. Den deklarerede vibrationsemissionsværdi kan også benyttes ved forudgående vurdering af eksponering.

Advarsel! Vibrationsemissionsværdien under praktisk brug af det elektriske værktøj kan afvige fra den deklarerede værdi, afhængigt af den praktiske anvendelse.

Vibrationsniveauet kan øges udover det angivne niveau. Ved vurdering af vibrationseksponering til fastlæggelse af sikkerhedsforanstaltninger som krævet i 2002/44/EF om beskyttelse af personer, der arbejder regelmæssigt med elektriske værktøjer, skal en vurdering af vibrationseksponering inkludere den aktuelle anvendelse af værktøjet, herunder hensyn til alle dele i driftscyklus såsom antal tændinger og slukninger og tomgangskørsel udover aktiveret tid.

Mærkater på værktøjet

Følgende symboler og datokoder er vist på værktøjet:



Advarsel! Du bør læse betjeningsvejledningen for at reducere risikoen for personskader.



Benyt sikkerhedsbriller.



Bær hørevern.



Bær en støvmaske.



Bær handsker ved håndtering af blade.

Elsikkerhed



Dette værktøj er dobbeltisoleret og kræver ikke jordforbindelse. Kontrollér altid, at strømforsyningen svarer til spændingen på mærkepladen.

- ◆ Værktøjets ledninger skal kontrolleres regelmæssigt. Hvis fødeledningen er skadet, skal den udskiftes af producenten eller et autoriseret Stanley Fat Max Servicecenter for at undgå farer.

Spændingsfald

Startstrømme kan medføre kortvarige spændingsfald. Andet udstyr kan blive påvirket under ugunstige strømforsyningsbetingelser. Hvis systemimpedansen for strømforsyningen er under 0,34 Ω, er forstyrrelser usandsynlige.

Brug af forlængerledning

- ◆ Brug altid en godkendt forlængerledning, som er egnet til din opladers indgangsstrøm (se tekniske data). Inden brug kontrolleres forlængerledning for skader, slidage eller ældning.

- ◆ Udskift forlængerledning ved skade eller defekt. Ved brug af en ledningstrømme skal ledningen altid rulles helt ud. Brug af forlængerledning, der ikke er egnet til værktøjets effektforbrug, eller der er skadet eller defekt, kan medføre risiko for brand og elektrisk stød.

Funktioner

Dette værktøj inkluderer nogle eller alle de følgende funktioner.

1. Lufthuller
2. Greb (venstre og højre)
3. Stik
4. Aksel
5. Omrører
6. låseknap
7. Variabel hastighedskontakt
8. Fødeledning med stik
9. Monteringsspænde 22 mm (x 2)

Samling. Udpakning.

- ◆ Udpak alle dele og læg dem på en plan, stabil overflade.
- ◆ Fjern al emballagemateriale og forsendelsesanordninger, hvis relevant.
- ◆ Sørg for, at leveringsindholdet er komplet og frit for skader. Hvis der mangler dele, eller dele er defekte, må produktet ikke benyttes, og forhandleren kontaktes. Brug af ukomplet eller skadet produkt udgør en fare for personer og ejendom.
- ◆ Det skal sikres, at du har alt tilbehør og værktøjer, der behøves for montering og drift. Dette inkluderer egnet personligt beskyttelsesudstyr.

Advarsel! Produktet og emballagen er ikke legetøj! Børn må ikke lege med plastikposer, ark og små dele! Der er fare for kvælning!

Opsætning

Advarsel! Produktet skal være fuldt monteret inden brug! Benyt ikke et produkt, der kun er delvis monteret eller monteret med skadede dele! Følg instruktionerne for montering trin for trin og brug billederne som guide til nem montering af produktet! Tilslut ikke produktet til strømforsyning, før det er fuldt monteret!

Omrører

Advarsel! Omrørere leveres i forskellige typer og med forskellig form og diameter. Benyt altid den korrekte omrører til den tilsigtede brug! Se tekniske krav for produktet (se afsnit "Tekniske specifikationer") ved køb og brug af omrører! Omrører bliver varme under brugen! De skal håndteres varsomt! Benyt beskyttelseshandsker ved håndtering af omrører for at undgå skader som forbrænding eller skæring!

Fastgørelse (Fig.A, Fig.B, Fig.C, Fig.D)

- ◆ Justering af omrører (5) med aksel (4). Skru omrører (5) med uret på akslens nedre ende (4) (Fig.A).
- ◆ Lås den svejsede møtrik på akslen (4) med en monteringsnøgle (9) og spænd omrører (5) med uret med den anden (9) på den svejsede møtrik (Fig.B).

Bemærk: Spænd først tilslutningen i hånden, inden der bruges nøgler.

- ◆ Justér akslen (4) med bøsning (3). Skru akselenden med svejset møtrik i soklen med uret (3) (Fig.C).
- ◆ Lås bøsning (3) med en monteringsnøgle (9) og spænd aksel (4) med uret med en anden monteringsnøgle (9) på svejset møtrik (Fig.D).

Bemærk: Spænd først tilslutningen i hånden, inden der bruges nøgler.

Fjernelse/udskiftning (Fig.E, Fig.F)

- ◆ Lås bøsning (3) med en monteringsnøgle (9) og aksel (4) løsnes mod uret med den anden monteringsnøgle (9) på svejset møtrik (Fig.E).
- ◆ Den svejsede møtrik løsnes mod uret (Fig.F) og akslen (4) fjernes fra bøsningen (3) (Fig.F)

Omrører (Fig.G, Fig.H)

- ◆ Lås svejset møtrik på aksel (4) med en monteringsnøgle (9) og frigør omrører (5) mod uret med en anden monteringsnøgle (9) på svejset møtrik (Fig.G).
- ◆ Svejset møtrik løsnes mod uret (Fig.H), og omrører (5) fjernes fra aksel (4) (Fig.H).
- ◆ Fastgør ny aksel/omrører efter behov.

Brug**Kontakt for variabel hastighed (Fig.I)**

Benyt produktet i enten øjeblikkelig eller løbende tilstand.

Instant tilstand

- ◆ Tænd produktet ved tryk på knap til variabel hastighed (7) (Fig.I).
- ◆ Sluk produktet ved slip af knap til variabel hastighed (7).

Løbende tilstand

- ◆ Tænd produktet ved tryk på knap til variabel hastighed (7) og hold den i position (Fig.J, trin 1).
- ◆ Tryk på låseknap (6) og hold den for låsning af knap til variabel hastighed (7) (Fig.J, trin 2).
- ◆ Slip låseknap (6) og knap til variabel hastighed (8). Variabel hastighed er nu låst for løbende brug.
- ◆ Tryk og slip knap til variabel hastighed (7) for at slukke produktet.

Generel drift

- ◆ Kontrollér produktet, elledningen og stikket samt tilbehør for skader inden hver brug. Benyt ikke produktet ved tegn på skader eller slitage.
- ◆ Kontroller grundigt, at tilbehør og monteringer er korrekt fastspændt.
- ◆ Hold altid produktet i håndtaget. Hold håndtagene rene for sikkert greb.
- ◆ Sørg for, at ventilationsåbninger altid er frie. Rens dem efter behov med en blød børste. Blokerede ventilationsåbninger kan medføre overophedning og skade på produktet.
- ◆ Sluk straks for produktet, hvis du forstyrres af andre personer i arbejdsområdet under arbejdet. Lad altid produktet stoppe helt, inden det afsættes.
- ◆ Overbelast ikke dig selv. Hold pauser regelmæssigt for at sikre din koncentration om arbejdet og fulde kontrol over produktet.

Blanding (Fig.K)

Advarsel! Der genereres fint støv under driften! Visse støvtyper er stærkt brandbare og eksplosive! Der må ikke ryges under arbejdet, og varmekilder og åben ild må ikke forekomme på arbejdsstedet! Bær altid støvmaske som beskyttelse mod farer ved fint støv! Omrører vil stoppe under arbejdet, hvis materialet er for fast! Sluk produktet, løft omrører ud af materialet og kontrollér materialet, inden produktet bruges igen! En blokeret omrører kan medføre overophedning af motor. Hold produktet fast under arbejdet. Lad ikke omrører berøre spanden! Det kan medføre skade på omrører og spand!

- ◆ Hold produktet med 2 hænder på begge greb (2) og indsæt omrører (5) i materialet (Fig.M).
- ◆ Tryk blidt på udløser for variabel hastighed for start af arbejde ved lav hastighed.
- ◆ Bevæg omrører gennem materialet, indtil det er ensartet og fuldstændigt blandet.
- ◆ Sluk for produktet. Lad omrører stoppe helt, inden den løftes ud af materialet, der blandes.

Advarsel: Sluk produktet, lad det standse helt og afbryd fra lysnet, hvis omrører sidder fast i blandematerialet. Først herefter må det fastsiddende materiale frigøres.

Efter brug

Advarsel: Sluk altid produktet, afbryd fra lysnet og lad det køle af, inden det inspiceres, vedligeholdes eller rengøres!

Rengøring

- ◆ Hold produktet rent. Fjern aflejringer efter hver brug og inden opbevaring.
- ◆ Regelmæssig grundig rengøring hjælper med at sikre en sikker brug og lang levetid for produktet.

- ◆ Produktet inspiceres inden hver brug for slidte eller skadede dele. Det må ikke benyttes, hvis der findes defekte eller slidte dele.

Advarsel: Udfør kun reparationer og vedligeholdelsesarbejder i henhold til disse instruktioner! Alle andre arbejder skal udføres af en kvalificeret specialist!

- ◆ Rengør produktet med en tør klud. Brug en børste på områder, der er svære at nå.
- ◆ Specielt rengørs ventilationsåbninger (1) med klud og børste efter hver brug.
- ◆ Fjern fastsiddende snavs med trykluft (maks. 3 bar).

Bemærk: Benyt ikke kemikalier, alkaliske, skurende eller andre aggressive medier eller desinfektionsmidler til rengøring af produktet, da de kan skade overfladerne.

- ◆ Kontrollér for slidte eller skadede dele. Udskift slidte dele efter behov eller kontakt et autoriseret servicecenter, inden produktet bruges igen.

Vedligeholdelse

- ◆ Inden og efter hver brug kontrolleres produktet og tilbehøret (eller monteringer) for slid og skade. De udskiftes med nye efter behov, som beskrevet i denne vejledning. Observér de tekniske krav.

Reparation

Dette produkt indeholder ikke dele, der kan repareres af brugeren. Kontakt et autoriseret servicecenter eller tilsvarende kvalificeret person for kontrol og reparation.

Opbevaring

- ◆ Sluk produktet og afbryd fra lysnettet.
- ◆ Rens produktet som angivet ovenfor.
- ◆ Opbevar produktet og dets tilbehør på et mørkt, frostfrit, godt ventileret sted.
- ◆ Opbevar altid produktet på et sted uden adgang for børn. Den ideelle opbevaringstemperatur er mellem 10 °C og 30 °C.
- ◆ Vi anbefaler brug af den originale emballage for opbevaring eller tildækning af produktet med egnet klæde eller sikring mod støv.

Transport

- ◆ Sluk produktet og afbryd fra lysnettet.
- ◆ Fastgør transportsikring, hvis relevant.
- ◆ Bær altid produktet i håndtagene (2).
- ◆ Beskyt produktet mod slag eller vibrationer, der kan opstå under transport i køretøjer.
- ◆ Produktet fastgøres for at undgå skrid eller fald.

Problemløsning

Mistænkte fejl er ofte grundet årsager, brugeren selv kan afhjælpe. Kontrollér derfor altid produktet med brug af dette afsnit. I de fleste tilfælde kan problemet løses hurtigt.

Problem	Mulig årsag	Løsning
Produktet starter ikke	Ikke tilsluttet til lysnet	Tilslut til lysnet
	Ledning eller stik defekt	Kontrolleres af elektriker
	Anden elektrisk defekt på produktet	Kontrolleres af elektriker
Produktet har ikke fuld effekt	Forlængerledning uegnet til brug med dette produkt	Benyt korrekt forlængerledning
	Strømkilde (f.eks. generator) har for lav spænding	Tilslut til anden strømkilde
	Ventilationsåbninger er blokeret	Rens ventilationsåbninger
Utilfredsstillende resultat	Omrører er slidt	Udskiftes med en ny
	Omrører ikke egnet til materiale der blandes	Benyt korrekt omrører

Miljøbeskyttelse



Særskilt bortskaftelse. Dette produkt må ikke bortskaftes sammen med almindeligt husholdningsaffald.

Hvis du på noget tidspunkt finder det nødvendigt at udskifte dit Stanley Fat Max-produkt, eller hvis det ikke længere tjener det tiltænkte formål, må det ikke bortskaftes sammen med almindeligt husholdningsaffald. Sørg for, at dette produkt bortskaftes særskilt.



Særskilt bortskaftelse af brugte produkter og emballage gør det muligt at genbruge materialer og anvende dem på ny. Genanvendelse af genbrugsmaterialer bidrager til at forhindre forurening af miljøet og reducerer behovet for råmaterialer.

Lokale forskrifter muliggør i nogen tilfælde særskilt bortskaftelse af elektriske produkter fra husholdningen, ved kommunale affaldsdepoter eller hos forhandleren i forbindelse med køb af et nyt produkt.

Stanley Europe har stillet faciliteter til rådighed til indsamling og genbrug af udslidte Stanley Fat Max-produkter. For at benytte sig af denne service kan du returnere produktet til et hvilket som helst autoriseret serviceværksted, der modtager det på vores vegne.

Du kan finde ud af, hvor det nærmeste autoriserede serviceværksted befinder sig ved at kontakte dit lokale Stanley Europe-kontor på den adresse, der er angivet i denne vejledning. Alternativt findes der en liste over autoriserede Stanley Europe-serviceværksteder og detaljerede oplysninger om vores eftersalgsservice og kontakter på følgende internetadresse: www.2helpU.com

Tekniske data

FME190	
Nominal spænding, frekvens	220 – 240 V~, 50 Hz
Nominal driftseffektindgang	1600 W
Nominal ubelastet hastighed n_0	180 - 460 rpm 300 - 750 rpm
Diameter på omrører	Ø 140 mm
Koblingsgevind	M14 x 2
Blandingsvolumen	maks. 120 l
Maks. drejemoment	80 Nm
Beskyttelsesklasse	Klasse II
Vægt	ca. 5,1 kg

Lydtryksniveau LpA	84 dB (A)
Støjniveau LWA	95 dB (A)
Usikkerhed KpA, KWA	3 dB (A)
>ah	4,24 m/s ²

EF-overensstemmelseserklæring

MASKINDIREKTIV



FME190 blandemaskine

Stanley Europe erklærer, at produkterne beskrevet under "tekniske data" er udformet i overensstemmelse med: 2006/42/EF, EN 60745-1:2009 + A11:2010, EN 60745-2-11: 2010

Disse produkter overholder også direktiv 2004/108/EF (indtil 19/04/2016) 2014/30/EF (fra 20/04/2016) og 2011/65/EF. Kontakt Stanley Europe på følgende adresse for yderligere oplysninger eller se bagsiden af vejledningen.

Undertegnede er ansvarlig for kompilering af den tekniske fil og udsteder denne erklæring på vegne af Stanley Europe.

Ray Laverick
Teknisk direktør
Stanley Europe, Egide Walschaertsstraat 14-18,
2800 Mechelen, Belgien
01/26/2015

Garanti

Stanley Europe er sikker på produkternes kvalitet og tilbyder en enestående garanti til professionelle brugere af dette produkt. Denne garantierklæring er en udvidelse af og på ingen måde i modstrid med de gældende rettigheder som privat forbruger. Garantien er gyldig inden for medlemsstaterne af Den Europæiske Union og Det Europæiske Frihandelsområde.

ET ÅRS FULD GARANTI

Hvis dit Stanley Fat Max-produkt bliver defekt på grund af fejlbehæftede materialer eller produktionsfejl inden for 12 måneder fra købsdatoen, garanterer Stanley Europe gratis udskiftning af alle defekte dele eller gratis udskiftning af enheden efter vores valg, under forudsætning af, at:

- ◆ Produktet ikke er misbrugt og er anvendt i henhold til betjeningsvejledningen.
- ◆ Produktet har været underlagt almindelig brug og slid;
- ◆ Der ikke er forsøgt reparationer af uautoriserede personer;
- ◆ Købsbeviset fremvises.
- ◆ Stanley Fat Max-produktet returneres komplet med alle originale komponenter.

Hvis du ønsker at foretage en reklamation, skal du kontakte din forhandler eller den nærmeste autoriserede Stanley Fat Max-reparatør i Stanley Fat Max-kataloget eller kontakte dit Stanley-kontor på den adresse, der er angivet i denne brugsvejledning. Der findes en liste over autoriserede Stanley Fat Max-serviceværksteder og detaljerede oplysninger om vores eftersalgsservice på følgende internetadresse: www.stanley.eu/3

Käyttötarkoitus

Stanley Fat Max FME190 -melasekoitin on suunniteltu juoksevien ja jauhemaisen aineiden sekoittamiseen, kuten maalit, liimat ja erilaiset laastit. Työkalu on tarkoitettu sekä ammattilaisten käyttöön että yksityiskäyttöön.

Turvaohjeet

Sähkötyökalun yleiset turvallisuusvaroitukset



Varoitus! Lue kaikki turvallisuusvaroitukset ja ohjeet. Jos alla lueteltuja varoituksia ja ohjeita ei noudateta, on olemassa sähköiskun, tulipalon ja vakavan henkilövahingon vaara.

Säilytä kaikki varoitukset ja ohjeet myöhempiä tarvetta varten. Näissä varoituksissa käytettävä termi sähkötyökalu viittaa verkkovirtaan yhdistettävään (sähköjohdolliseen) tai akkukäyttöiseen (sähköjohdottomaan) työkaluun.

1. Työalueen turvallisuus

- Pidä työalue puhtaana ja hyvin valaistuna.** Onnettomuuksia sattuu herkemmin epäsiistissä tai huonosti valaistussa ympäristössä.
- Älä käytä sähkötyökaluja, jos on olemassa räjähdysvaara esimerkiksi syttyvien nesteiden, kaasujen tai pölyn vuoksi.** Sähkötyökalujen aiheuttamat kipinät voivat sytyttää pölyn tai kaasut.
- Pidä lapset ja sivulliset kaukana käyttäessäsi sähkötyökalua.** Keskittymiskyvyn herpaantuminen voi aiheuttaa hallinnan menettämisen.

2. Sähköturvallisuus

- Sähkötyökalun pistokkeen ja pistorasian on vastattava toisiaan. Älä koskaan tee pistokkeeseen mitään muutoksia. Älä yhdistä maadoitettua sähkötyökalua jatkojohtoon.** Sähköiskun vaara vähenee, jos pistokkeisiin ei tehdä muutoksia ja ne yhdistetään vain niille tarkoitettuihin pistorasioihin.
- Älä kosketa maadoituksessa käytettäviin pintoihin, kuten putkiin, lämpöpattereihin ja jäähdytyslaitteisiin.** Voit saada sähköiskun, jos kehosi on maadoitettu.
- Älä altista sähkötyökaluja sateelle tai kosteudelle.** Sähkötyökaluun menevä vesi lisää sähköiskun vaaraa.
- Älä vaurioita sähköjohtoa. Älä kanna työkaluja sähköjohdosta tai vedä pistoketta pistorasiasta sähköjohdon avulla. Pidä sähköjohto kaukana kuumuudesta, öljystä, terävistä reunoista tai liikkuvista osista.** Vaurioituneet tai sokeutuneet johdot lisäävät sähköiskun vaaraa.
- Jos käytät sähkötyökalua ulkona, käytä ulkokäyttöön tarkoitettua jatkojohtoa.** Ulkokäyttöön tarkoitettujen sähköjohdon käyttäminen vähentää sähköiskun vaaraa.

- Jos sähkötyökalua on käytettävä kosteassa paikassa, käytä vikavirtasuojaa.**

Tämä vähentää sähköiskun vaaraa.

3. Henkilökohtainen turvallisuus

- Pysy valppaana, keskity työhön ja käytä tervettä järkeä käyttäessäsi sähkötyökalua. Älä käytä tätä työkalua ollessasi väsynyt tai alkoholin, huumeiden tai lääkkeiden vaikutuksen alaisena.** Keskittymisen herpaantuminen hetkeksikin sähkötyökalua käytettäessä voi aiheuttaa vakavan henkilövahingon.
 - Käytä henkilösuojaimia. Käytä aina silmäsuojaimia.** Hengityssuojaimen, liukumattomien turvajalkineiden, kypärän ja kuulosuojaimen käyttäminen vähentää henkilövahinkojen vaaraa.
 - Estä tahaton käynnistäminen. Varmista, että virtakytkin on OFF-asennossa, ennen kuin kytket sähkötyökalun pistorasiaan, yhdistät siihen akun, nostat työkalun käteesi tai kannat sitä.** Sähkötyökalun kantaminen sormi virtakytkimellä lisää onnettomuusvaaraa.
 - Poista kaikki säätöavaimet tai vääntimet ennen sähkötyökalun käynnistämistä.** Sähkötyökalun pyöriivään osaan jäänyt säätöavain tai väännin voi aiheuttaa henkilövahingon.
 - Älä kurottele. Huolehdi siitä, että sinulla on koko ajan tukeva jalansija ja hyvä tasapaino.** Näin voit hallita sähkötyökalua paremmin odottamattomissa tilanteissa.
 - Pukeudu oikein. Älä käytä löysiä vaatteita tai koruja. Pidä hiukset, vaatteet ja kädet loitolla liikkuvista osista.** Löysät vaatteet, korut tai pitkät hiukset voivat tarttua liikkuviin osiin.
 - Jos käytettävissä on laitteita pölyn ottamiseksi talteen, käytä niitä.** Pölyn ottaminen talteen voi vähentää pölyn aiheuttamia vaaroja.
- #### 4. Sähkötyökalun käyttö ja huolto
- Älä kohdista sähkötyökaluun liikaa voimaa. Valitse käyttötarkoituksen kannalta oikea sähkötyökalu.** Sähkötyökalu toimii paremmin ja turvallisemmin, kun sitä käytetään sille suunniteltuun käyttötarkoitukseen.
 - Älä käytä työkalua, jos virtakytkin ei toimi.** Jos sähkötyökalua ei voi hallita kytkimen avulla, se on vaarallinen ja se on korjattava.
 - Katkaise sähkötyökalusta virta ja irrota sen pistoke pistorasiasta tai irrota akku siitä ennen säätämistä, varusteiden vaihtamista tai sähkötyökalun asettamista säilytykseen.** Näin voit vähentää vahingossa käynnistymisen aiheuttaman henkilövahingon vaaraa.
 - Varastoi sähkötyökaluja lasten ulottumattomissa. Älä anna sähkötyökaluihin tottumattomien tai näihin ohjeisiin perehtymättömien henkilöiden käyttää sähkötyökaluja.**

Sähkötyökalut ovat vaarallisia kouluttamattomien käyttäjien käsissä.

- e. **Pidä sähkötyökalut kunnossa. Tarkista liikkuvat osat, niiden kiinnitys, osien eheys ja muut toimintaan vaikuttavat tekijät. Jos havaitset vaurioita, korjauta sähkötyökalu ennen niiden käyttämistä.** Huonosti kunnossapidetyt sähkötyökalut aiheuttavat onnettomuuksia.
- f. **Pidä leikkaavat pinnat terävinä ja puhtaina.** Kunnossa pidettyjen leikkaavia teräviä reunoja sisältävien työkalut todennäköisyys jumiutua vähenee, ja niitä on helpompi hallita.
- g. **Käytä sähkötyökalua ja sen tarvikkeita, kuten poranteriä, näiden ohjeiden mukaisesti. Ota työskentelyolosuhteet ja tehtävä työ huomioon.** Jos sähkötyökalua käytetään näiden ohjeiden vastaisesti, voi syntyä vaaratilanne.

5. Huolto

- a. **Korjauta työkalu valtuutetulla asentajalla. Varaosina on käytettävä vain alkuperäisiä vastaavia osia.** Näin taataan moottorityökalun turvallisuus.

Melasekoitinta koskevat lisäturvallisuusvaroitukset.

- ◆ Älä koskaan rakenna tuotteesta kiinteää työkaluasemaa kiinnittämällä sitä ruuvipenkkiin tai puristimeen. Muuten seurauksena voi olla vakava loukkaantuminen.
- ◆ Katkaise tuotteesta virta välittömästi, jos työkalun kiinnityskappale jumiutuu. Huomioi, että suuri vääntömomentti voi aiheuttaa takapotkun. Työkalun kiinnityskappale jumiutuu, jos tuote ylikuormittuu tai se vääntyy työkappaleessa.
- ◆ Käytä suojavaatteita, pölysuojainta ja suojakäsineitä käyttäessäsi tuotetta. Tuotetta käytettäessä voi syntyä pölyä tai roiskeita, ja ainetta tai nesteitä voi lentää ympäriinsä. Useat pölytyypit on luokiteltu karsinogeenisiksi.
- ◆ Pidä molemmin käsin kiinni kahvoista, kun käytät tuotetta. Pidä kahvoista kiinni tiukasti ja varmista, että seisot tukevalla, tasaisella ja kuivalla alustalla. Tuotteen hallinnan menetyks voi aiheuttaa henkilövahingon.
- ◆ Älä käytä tuotetta herkästi syttyvien tai räjähdysvaarallisten aineiden, kuten liuottimien käsittelyssä. Tuotteen käyttö aiheuttaa kipinöitä, jotka voivat syyttää kaasuja.
- ◆ Tuotetta saa käyttää vain sisätiloissa. Kosteus ja sade voivat vahingoittaa tuotetta tai aiheuttaa hengenvaarallisen sähköiskun virtalähteestä, jos sekoitettavaa ainetta pääsee tuotteen sisään tai tuote putoaa sekoitettavaan aineeseen.

Sähkötekniikan ammattilaisen on tarkastettava tuote. Sekoitettava aine ja kosteus voivat vahingoittaa tuotetta tai aiheuttaa hengenvaarallisen sähköiskun, jos ne pääsevät tuotteen sisään.

- ◆ Älä työstä aineita, jotka ovat terveydelle haitallisia. Useat aineet ovat haitallisia käsitellessä.
- ◆ Älä hengitä terveydelle haitallisia aineita ja vältä niiden koskettamista. Noudata valmistajan ohjeita ja käytä asianmukaisia henkilönsuojaimia.
- ◆ Odota, että laite on pysähtynyt täysin ennen kuin poistat sen sekoitettavasta aineesta ja lasket sen alas. Ämpäri voi juuttua tai sekoitettavaa ainetta voi roiskua ympäriinsä. Tämä voi aiheuttaa tuotteen hallinnan menetyksen.

Jännönsriskit

Turvamääräysten noudattamisesta ja turvalaitteiden käyttämisestä huolimatta tiettyjä vaaroja ei voida välttää. Näitä ovat:

- ◆ Työkalun pyörievien tai liikkuvien osien koskettamisesta aiheutuvat vammat.
- ◆ Kuulon heikkeneminen.
- ◆ Osien tai varusteiden vaihtamiseen liittyvä loukkaantumisvaara.
- ◆ Terveysriskit, jotka aiheutuvat pölyn hengittämisestä sahattaessa puuta, erityisesti tammea, pyökkiä ja MDF-levyä.
- ◆ Työkalun pitkäaikaisesta käytöstä aiheutuvat vammat. Jos käytät työkalua pitkään, pidä taukoja säännöllisesti.

Muiden turvallisuus

- ◆ Tämä laite ei ole tarkoitettu henkilöiden (mukaan lukien lapset) käytettäväksi, joiden fyysiset, sensoriset tai henkiset kyvyt tai kokemus ja tietämys ovat rajalliset, ellei heidän turvallisuudestaan vastaava henkilö valvo laitteen käyttöä tai neuvo laitteen käytössä.
- ◆ Lapsia tulee valvoa ja varmistaa, että he eivät leiki laitteella.

Tärinä

Teknisissä tiedoissa ja yhdenmukaisuusvakuutuksessa ilmoitetut tärinätasot on mitattu EN 60745 -standardin vakiotestimenetelmällä, ja niiden avulla työkaluja voidaan verrata keskenään. Lisäksi ilmoitetun tärinäpäästöarvon avulla voidaan arvioida altistusta ennalta.

Varoitus! Käytössä toteutuva tärinäpäästöarvo voi poiketa ilmoitetusta arvosta riippuen työkalun käyttötaavoista. Tärinätaaso voi nousta ilmoitettua suuremmaksi.

Tärinäalvistusta arvioitaessa direktiivin 2002/44/EY mukaisten turvallisuustoimenpiteiden määrittämiseksi sähkötyökaluja työssään säännöllisesti käyttävien henkilöiden suojelemiseksi tärinäalvistusarviossa on huomioitava todelliset käyttöolosuhteet ja työkalun käyttötapa mukaan lukien käyttökierron kaikki vaiheet, kuten työkalun sammutuskertojen määrä, tyhjääkäyntaika ja liipaisu aika.

Työkalun tarrat

Työkaluun on merkitty seuraavat symbolit ja päivämääräkoodi:



Varoitus! Loukkaantumisriskin vähentämiseksi käyttäjän on luettava tämä käyttöopas.



WKäytä suojalaseja.



Käytä kuulosuojaimia.



Käytä pölysuojainta.



Käytä hansikkaita, kun käsittelet teriä.

Sähköturvallisuus



Työkalu on kaksoiseristetty; maadoitusjohtoa ei tarvita. Tarkista aina, että verkkovirran jännite vastaa tyyppikilpeen merkittyä jännitettä.

- ◆ Tarkasta työkalun virtajohto säännöllisesti. Jos virtajohto on vahingoittunut, valmistajan tai valtuutetun Stanley Fat Max -huollon on vaihdettava se vaaran välttämiseksi.

Jännitepuodotukset

Syöksyvirrat aiheuttavat lyhytaikaisia jännitepuodotuksia. Epäsuotuisissa vIRRANSYÖTÖolosuhteissa muut laitteet voivat altistua. Jos virtalähteen järjestelmän impedanssi on alle 0,34 Ω, häiriöitä ei todennäköisesti esiinny.

Jatkojohdon käyttäminen

- ◆ Käytä työkalun ottoteholle soveltuvaa jatkojohtoa (katso tekniset tiedot). Tarkasta jatkojohto vahinkojen, kulumisen ja ikääntymisen varalta ennen käyttöä.
- ◆ Jos jatkojohto on vahingoittunut tai viallinen, vaihda se. Jos käytät johtokelaa, kelaa johto aina kokonaan auki. Työkalun ottoteholle sopimattoman tai vahingoittuneen tai viallisen jatkojohdon käyttäminen voi aiheuttaa tulipalo- tai sähköiskuvaaran.

Ominaisuudet

Työkalussa on jotkin tai kaikki seuraavista ominaisuuksista.

1. Ilmanvaihtoaukot
2. Kahva (vasen & oikea)
3. Istukka
4. Varsi
5. Sekoitin
6. Lukituspainike
7. Säädetty nopeuskytkin
8. Virtajohto ja pistotulppa
9. Kiintoavain 22 mm (x 2)

Asennus.

Pakkauksesta poistaminen.

- ◆ Poista kaikki osat pakkauksesta ja aseta ne tasaiselle ja tukevalle alustalle.
- ◆ Poista kaikki pakkausmateriaalit ja mahdolliset kuljetuslaitteet.
- ◆ Varmista, ettei osia puutu ja että osat ovat ehjiä. Jos osia puuttuu tai ne ovat viallisia, älä käytä tuotetta vaan ota yhteys jälleenmyyjään. Epätäydellisen tai vahingoittuneen tuotteen käyttäminen vaarantaa ihmiset ja omaisuuden.
- ◆ Varmista, että sinulla on kaikki kokoamiseen ja käyttöön tarvittavat varusteet ja työkalut. Niihin luetaan myös asianmukaiset henkilönsuojaimet.

Varoitus! Tuote ja pakkaus eivät ole lasten leikkikaluja!

Lapset eivät saa leikkiä muovipusseilla, levyillä eivätkä pienillä osilla! Kuristumis- ja tukehtumisvaara!

Kokoonpano

Varoitus! Tuote on koottava kokonaan ennen käyttöä! Älä käytä tuotetta, joka on koottu vain osittain tai koottu käyttäen vahingoittuneita osia! Noudata kokoamisohjeita vaihe vaiheelta. Katso kuvista apua tuotteen kokoamisessa! Älä liitä tuotetta virtalähteeseen, ennen kuin se on koottu kokonaan!

Sekoitin

Varoitus! Sekoittimia on saatavana erityyppisinä, -mallisina ja -kokoisina. Käytä aina käyttötarkoitukseen sopivaa sekoitinta! Huomioi sekoittimien hankinnassa ja käytössä tuotteen tekniset vaatimukset (katso kohta Tekniset tiedot)! Sekoitin kuumenee käytössä! Käsittele varoen! Kun käsittelet sekoitinta, käytä suojahansikkaita vammojen, kuten palovammojen ja haavojen ehkäisemiseksi!

Kiinnitys (kuvat A, B, C ja D)

- ◆ Aseta sekoitin (5) varteen (4). Kiinnitä sekoitin (5) varren alapäähän (4) kiertämällä sitä myötäpäivään (kuva A).
- ◆ Lukitse varren (4) mutteri yhdellä kiintoavaimella (9) ja kiinnitä sekoitin (5) myötäpäivään pitäen toisella kiintoavaimella (9) kiinni mutterista (kuva B).

Huomautus! Kiristä liitäntä ensin käsin, ennen kuin käytät kiintoavaimia.

- ◆ Aseta varsi (4) istukkaan (3). Kierrä varren päätä, jossa on mutteri, myötäpäivään istukkaan (3) (kuva C).
- ◆ Lukitse istukka (3) yhdellä kiintoavaimella (9) ja kiinnitä varsi (4) myötäpäivään pitäen toisella kiintoavaimella (9) kiinni mutterista (kuva D).

Huomautus! Kiristä liitäntä ensin käsin, ennen kuin käytät kiintoavaimia.

Irrottaminen ja vaihtaminen (kuvat E ja F)

- ◆ Lukitse istukka (3) yhdellä kiintoavaimella (9) ja löysää varsi (4) vastapäivään pitäen toisella kiintoavaimella (9) kiinni mutterista (kuva E).
- ◆ Löysää mutteri vastapäivään (kuva F) ja irrota varsi (4) istukasta (3) (kuva F)

Sekoitin (kuvat G ja H)

- ◆ Lukitse varren (4) mutteri yhdellä kiintoavaimella (9) ja löysää sekoitin (5) vastapäivään pitäen toisella kiintoavaimella (9) kiinni mutterista (kuva G).
- ◆ Löysää mutteri vastapäivään (kuva H) ja irrota sekoitin (5) varresta (4) (kuva H).
- ◆ Kiinnitä uusi varsi tai sekoitin tarpeen mukaan.

Käyttö

Säädettävä nopeuskytkin (kuva I)

Käytä laitetta joko pikatilassa tai jatkuvasti.

Pikatila

- ◆ Kytke laite päälle painamalla säädettävää nopeuskytkintä (7) (kuva I).
- ◆ Kytke laite pois päältä vapauttamalla säädettävä nopeuskytkin (7).

Jatkuva käyttö

- ◆ Kytke laite päälle pitämällä säädettävää nopeuskytkintä (7) painettuna (kuva J, vaihe 1).
- ◆ Lukitse säädettävä nopeuskytkin (7) pitämällä lukituspainiketta (6) painettuna (kuva I, vaihe 2).
- ◆ Vapauta lukituspainike (6) ja säädettävä nopeuskytkin (8). Säädettävä nopeuskytkin on nyt lukittu päälle jatkuvaa käyttöä varten.
- ◆ Voit sammuttaa laitteen painamalla säädettävää nopeuskytkintä (7) ja vapauttamalla sen.

Käyttöohjeita

- ◆ Tarkasta laite, sen virtajohto, pistoke ja varusteet vahinkojen varalta aina ennen käyttöä. Älä käytä laitetta, jos se on vahingoittunut tai siinä näkyy kulumista.
- ◆ Tarkista kahdesti, että varusteet ja kiinnityskappaleet on kiinnitetty kunnolla.

- ◆ Pidä työkalua aina kahvasta kiinni. Pidä kahvat kuivana, jotta niistä saa pitävän otteen.
- ◆ Varmista, että ilma-aukot eivät ole peittyneet tai tukkiutuneet. Puhdista ne tarvittaessa pehmeällä harjalla. Tukkiutuneet ilma-aukot voivat aiheuttaa ylikuumenemistä ja vahingoittaa laitetta.
- ◆ Sammuta laite välittömästi, jos häiriinnyt työskennellessäsi siitä, että joku tulee työtilaan. Anna laitteen aina pysähtyä, ennen kuin lasket sen alas.
- ◆ Älä väsytä itseäsi. Varmista, että voit keskittyä työhön ja hallitset laitteen täysin pitämällä taukoja säännöllisesti.

Sekoittaminen (kuva K.)

Varoitus! Käytön aikana syntyy hienoa pölyä! Jotkin pölytyypit ovat herkästi syttyviä ja räjähdysvaarallisia! Älä tupakoi käytön aikana ja pidä lämmönlähteet ja avotuli poissa työtilasta! Suojaudu hienon pölyn haitoilta käyttämällä aina hengityssuojainta! Sekoitin pysähtyy käytön aikana, jos aine on liian kiinteää! Sammuta laite, nosta sekoitin aineesta ja tarkasta aine, ennen kuin käytät laitetta uudelleen! Jumiutunut sekoitin voi aiheuttaa moottorin ylikuumenemisen. Pidä laitteesta tukevasti kiinni käytön aikana. Älä anna sekoittimen koskettaa ämpäriä! Muuten sekoitin ja ämpäri voivat vahingoittua!

- ◆ Pidä molemmin käsin kiinni laitteen kahvoista (2) ja työnnä sekoitin (5) aineeseen (kuva M).
- ◆ Aloita käyttö pienellä nopeudella painamalla säädettävää nopeuskytkintä kevyesti.
- ◆ Liikuta sekoitinta aineessa, kunnes se on sekoittunut tasaisesti ja kauttaaltaan.
- ◆ Sammuta laite. Anna sekoittimen pysähtyä kokonaan, ennen kuin nostat sen sekoitettavasta aineesta.

Varoitus! Sammuta laite, anna sen pysähtyä kokonaan ja irrota se virtalähteestä, jos sekoitin juuttuu sekoitettavaan aineeseen. Irrota juuttunut kiinnityskappale vasta sen jälkeen.

Käytön jälkeen

Varoitus! Sammuta laite, kytke se irti virtalähteestä ja anna sen jäähtyä, ennen kuin tarkistat, huollat tai puhdistat laitetta!

Puhdistaminen

- ◆ Pidä laite puhtaana. Puhdista laite roskista aina käytön jälkeen ja ennen varastointia.
- ◆ Säännöllinen ja huolellinen puhdistus auttaa varmistamaan käytön turvallisuuden ja pitkittämään tuotteen käyttöikää.
- ◆ Tarkasta tuote aina ennen käyttöä kuluneiden ja vahingoittuneiden osien varalta. Jos löydät rikkiäisiä tai kuluneita osia, älä käytä tuotetta.

Varoitus! Korjauksia ja huoltoja saa suorittaa ainoastaan näiden ohjeiden mukaan! Muita toimenpiteitä saa suorittaa ainoastaan pätevä ammattilainen!

- ◆ Puhdista tuote kuivalla rievulla. Puhdista vaikeasti saavutettavat osat harjalla.
- ◆ Puhdista etenkin ilma-aukot (1) jokaisen käyttökerran jälkeen rievulla ja harjalla.
- ◆ Poista pinttynyt lika paineilmalla (enint. 3 bar).

Huomautus: Älä käytä tuotteen puhdistamiseen kemikaalipohjaisia, emäksisiä, hankaavia tai muita syövyttäviä puhdistusaineita tai desinfiointiaineita, koska ne voivat vahingoittaa sen pintoja.

- ◆ Tarkasta tuote kuluneiden ja vahingoittuneiden osien varalta. Vaihda kuluneet osat tarvittaessa tai vie tuote korjattavaksi valtuutettuun huoltoon, ennen kuin käytät tuotetta uudelleen.

Huolto

- ◆ Tarkasta tuote ja varusteet (tai kiinnityskappaleet) kulumisen ja vaurioiden varalta aina ennen ja jälkeen käytön. Vaihda osat tarvittaessa uusiin tämän käyttöoppaan mukaisesti. Noudata teknisiä vaatimuksia.

Korjaus

Tuote ei sisällä osia, joita kuluttaja voi korjata. Tarkistuta ja korjauta tuote valtuutetussa huollossa tai vastaavasti päteväällä henkilöllä.

Säilytys

- ◆ Sammuta tuote ja irrota se virtalähteestä.
- ◆ Puhdista tuote yllä selostetulla tavalla.
- ◆ Varastoi tuote ja sen varusteet pimeässä kuivassa paikassa, joka ei jäädy ja jossa on hyvä ilmanvaihto.
- ◆ Säilytä tuotetta aina paikassa, joka on lasten ulottumattomissa. Paras säilytyslämpötila on +10 – +30 °C.
- ◆ Suosittelemme varastoimaan tuotteen sen alkuperäispakkauksessa, käärimään sen sopivaan kankaaseen tai säilyttämään sitä suljettavassa laatikossa tuotteen suojelemiseksi pölyltä.

Kuljetus

- ◆ Sammuta tuote ja irrota se virtalähteestä.
- ◆ Kiinnitä mahdolliset kuljetuskiinnikkeet.
- ◆ Kanna tuotetta aina sen kahvoista (2).
- ◆ Suojaa tuotetta kovilta iskuilta tai voimakkaalta tärinältä, joita voi ilmetä kuljetuksen aikana ajoneuvossa.
- ◆ Kiinnitä tuote liukumisen ja kaatumisen estämiseksi.

Vianetsintä

Vikojen syyt ovat usein käyttäjän korjattavissa. Tarkasta tuote tämän osion avulla. Yleensä ongelma ratkeaa nopeasti.

Ongelma	Mahdollinen syy	Ratkaisu
Laitte ei käynnisty	Virtalähdettä ei ole liitetty	Liitä laite virtalähteeseen
	Virtajohto tai pistotulppa on viallinen	Tarkistuta sähköasentajalla
	Muu sähkövika	Tarkistuta sähköasentajalla
Laitte ei käy täydellä teholla	Jatkojohto ei ole yhteensopiva tuotteen kanssa	Käytä yhteensopivaa jatkojohtoa
	Virtalähteen (esim. generaattori) jännite on liian pieni	Liitä toiseen virtalähteeseen
	Ilma-aukot ovat tukossa	Puhdista ilma-aukot
Heikko sekoitustulos	Sekoitin on kulunut	Vaihda uuteen
	Sekoitin ei sovellu sekoitettavan aineen sekoittamiseen	Käytä sopivaa sekoitinta

Ympäristönsuojelu



Toimita laite kierrätykseen. Tätä tuotetta ei saa hävittää kotitalousjätteen mukana.

Jos Stanley Fat Max -tuote on tullut elinkaarensa päähän tai jos et enää tarvitse sitä, älä hävitä sitä kotitalousjätteenä. Toimita se kierrätykseen.



Kierrätykseen toimitetut käytetyt tuotteet ja pakkaus voidaan käyttää uudelleen. Tämä suojelee ympäristöä ja vähentää raaka-aineiden tarvetta.

Paikallisissa määräyksissä voidaan edellyttää, että sähkölaitteet on toimitettava kierrätysasemalle tai jälleenmyyjälle, jolta ostit uuden tuotteen.

Stanley Europe kierrättää Stanley Fat Max -tuotteet, kun ne ovat tulleet elinkaarensa päähän. Voit käyttää tätä palvelua palauttamalla tuotteen valtuutettuun huoltokorjaamoon.

Saat lähimmän valtuutetun huoltokorjaamon tiedot ottamalla yhteyden lähimpään Stanley Europen toimipisteeseen, jonka osoite ilmoitetaan tässä käyttöoppaassa. Luettelo valtuutetuista Stanley Europe -huoltokorjaamoista ja myynnin jälkeisestä palvelusta yhteystietoineen on nähtävillä verkkosivustolla: www.2helpU.com

Tekniset tiedot

FME190	
Nimellisjännite, taajuus	220–240 V~, 50 Hz
Maksimioittoiteho	1 600 W
Nimelliskäyntinopeudet	180–460 rpm ja 300–750 rpm
Sekoittimen halkaisija	Ø 140 mm
Liitännän kierteet	M14 x 2
Sekoitettavan aineen tilavuus	enintään 120 l
Vääntö enintään	80 Nm
Suojausluokka	luokka II
Paino	noin 5,1 kg

Äänenpainetaso LpA	84 dB (A)
Äänenpainetaso LWA	95 dB (A)
Epävarmuus KpA, KWA	3 dB (A)
>ah	4,24 m/s ²

EY-vaatimustenmukaisuusvakuutus

KONEDIREktiivi



FME190 Melasekoitin

Stanley Europe vakuuttaa, että nämä kohdassa Tekniset tiedot kuvailut tuotteet täyttävät seuraavat määräykset:
2006/42/EY, EN 60745-1:2009 + A11:2010,
EN 60745-2-11: 2010

Tuotteet täyttävät myös direktiivien 2004/108/EY (19/04/2016 saakka) 2014/30/EU (20/04/2016 alkaen) ja 2011/65/EU määräykset. Saat lisätietoja ottamalla yhteyden Stanley Europeen seuraavien yhteystietojen tai käyttöoppaan takasivulla ilmoitettujen yhteystietojen avulla.

Allekirjoittaja vastaa teknisistä tiedoista ja antaa tämän vakuutuksen Stanley Europan puolesta.

Ray Laverick
Engineering Manager
Stanley Europe, Egide Walschaertsstraat 14–18,
2800 Mechelen, Belgia
01/26/2015

Takuu

Stanley Europe luottaa tuotteidensa laatuun ja antaa erinomaisen takuun tämän tuotteen ammattikäyttäjille. Tämä takuu myönnetään niiden sopimuksellisten oikeuksiesi lisäksi, jotka sinulla on ei-ammattimaisena yksityiskäyttäjänä, eikä se rajoita niitä. Tämä takuu on voimassa kaikissa EU- ja ETA-maissa.

YHDEN VUODEN TÄYSI TAKUU

Jos Stanley Fat Max -tuotteeseesi tulee vika 12 kuukauden aikana ostopäivästä materiaali- tai valmistusyövirheen vuoksi, Stanley Europe vaihtaa kaikki vialliset osat maksutta tai harkintansa mukaan vaihtaa laitteen maksutta edellyttäen, että:

- ◆ Tuotetta ei ole käytetty väärin ja sitä on käytetty käyttöoppaan ohjeiden mukaisesti.
- ◆ Tuote on kulunut vain normaalisti.
- ◆ Valtuuttamattomat henkilöt eivät ole yrittäneet korjata laitetta.
- ◆ Ostotodistus esitetään.
- ◆ Stanley Fat Max -tuote palautetaan kaikkine alkuperäisine osineen.

Voit pyytää takuuhuoltoa ottamalla yhteyden laitteen jälleenmyyjään tai lähimpään valtuutettuun Stanley Fat Max -huoltokorjaamoon. Saat yhteystiedot Stanley Fat Max -kuvastosta tai ottamalla yhteyden tässä käyttöohjeessa näkyvään Stanleyn toimipaikkaan. Luettelo valtuutetuista Stanley Fat Max -huoltokorjaamoista ja tarkat tiedot myynnin jälkeisestä palvelusta on verkkosivustollalla:
www.stanley.eu/3

Προβλεπόμενη χρήση

Ο αναδευτήρας Stanley Fat Max FME190 έχει σχεδιαστεί για την ανάμιξη υγρών και υλικών σε μορφή σκόνης: χρώματα, κόλλες/συγκολλητικά, στόκος, κονιάματα καθώς και σοβά κ.λπ. Αυτό το εργαλείο προορίζεται για χρήση από επαγγελματίες και ερασιτέχνες χρήστες.

Οδηγίες ασφαλείας

Γενικές προειδοποιήσεις ασφαλείας για ηλεκτρικά εργαλεία



Προειδοποίηση! Διαβάστε όλες τις προειδοποιήσεις ασφαλείας και όλες τις οδηγίες. Η μη τήρηση των προειδοποιήσεων και των οδηγιών που αναφέρονται παρακάτω μπορεί να έχει ως αποτέλεσμα ηλεκτροπληξία, πυρκαγιά ή/και σοβαρό τραυματισμό.

Φυλάξτε όλες τις προειδοποιήσεις και οδηγίες για μελλοντική αναφορά. Ο όρος «ηλεκτρικό εργαλείο» σε όλες τις προειδοποιήσεις που αναγράφονται παρακάτω αναφέρεται στην ηλεκτρική συσκευή (τροφοδοσία με καλώδιο) ή την επαναφορτιζόμενη συσκευή (τροφοδοσία με μπαταρία).

1. Ασφάλεια περιοχής εργασίας

- α. Διατηρείτε την περιοχή εργασίας καθαρή και καλά φωτισμένη. Οι ατακτοποιήτες ή σκοτεινές περιοχές γίνονται αιτίες ατυχημάτων.
- β. Μη χρησιμοποιείτε ηλεκτρικά εργαλεία σε εκρηκτικές ατμόσφαιρες, π.χ. παρουσία εύφλεκτων υγρών, αερίων ή σκόνης. Τα ηλεκτρικά εργαλεία παράγουν σπινθήρες που μπορεί να προκαλέσουν ανάφλεξη της σκόνης ή των αναθυμιάσεων.
- γ. Κρατάτε παιδιά και παρευρισκόμενους μακριά, κατά τη χρήση ενός ηλεκτρικού εργαλείου. Παράγοντες που αποσπούν την προσοχή μπορεί να σας κάνουν να χάσετε τον έλεγχο.

2. Ηλεκτρική ασφάλεια

- α. Τα φως των ηλεκτρικών εργαλείων πρέπει να ταιριάζουν στις πρίζες. Ποτέ μην τροποποιείτε το φως. Μη χρησιμοποιείτε προσαρμογείς φως με γειωμένα ηλεκτρικά εργαλεία. Η χρήση του εργοστασιακού φως και της κατάλληλης πρίζας μειώνει τον κίνδυνο ηλεκτροπληξίας.
- β. Αποφεύγετε την επαφή του σώματος με γειωμένες επιφάνειες όπως σωλήνες, σώματα καλοριφέρ, κουζίνες και ψυγεία. Υπάρχει αυξημένος κίνδυνος ηλεκτροπληξίας αν το σώμα σας γειωθεί.

- γ. Μην εκθέτετε τα ηλεκτρικά εργαλεία σε βροχή ή συνθήκες υψηλής υγρασίας. Η διείσδυση νερού στο ηλεκτρικό εργαλείο θα αυξήσει τον κίνδυνο ηλεκτροπληξίας.
- δ. Μην κακομεταχειριζόσαστε το καλώδιο. Μη χρησιμοποιείτε ποτέ το καλώδιο για να μεταφέρετε, τραβήξετε ή αποσυνδέσετε το ηλεκτρικό εργαλείο. Κρατάτε το καλώδιο μακριά από θερμότητα, κοφτερές ακμές ή κινούμενα εξαρτήματα. Τα φθαρμένα ή μπερδεμένα καλώδια αυξάνουν τον κίνδυνο ηλεκτροπληξίας.
- ε. Κατά τη χρήση του ηλεκτρικού εργαλείου σε εξωτερικούς χώρους, χρησιμοποιείτε καλώδιο επέκτασης που είναι κατάλληλο για χρήση σε εξωτερικούς χώρους. Η χρήση καλωδίου κατάλληλου για χρήση σε εξωτερικό χώρο μειώνει τον κίνδυνο ηλεκτροπληξίας.
- στ. Εάν η χρήση του ηλεκτρικού εργαλείου σε περιβάλλον με υγρασία είναι αναπόφευκτη, τότε χρησιμοποιήστε πηγή ρεύματος με διάταξη ρελέ διαρροής (RCD). Η χρήση διάταξης RCD μειώνει τον κίνδυνο ηλεκτροπληξίας.

3. Προσωπική ασφάλεια

- α. Παραμένετε σε επαγρύπνηση, προσέχετε τι κάνετε και εφαρμόζετε την κοινή λογική όταν χρησιμοποιείτε ηλεκτρικό εργαλείο. Μη χρησιμοποιείτε ηλεκτρικό εργαλείο όταν είστε κουρασμένος/ή υπό την επήρεια ναρκωτικών, οινοπνεύματος ή φαρμακευτικής αγωγής. Μια στιγμή απροσεξίας κατά τη χρήση ηλεκτρικών εργαλείων μπορεί να προκαλέσει σοβαρό τραυματισμό.
- β. Χρησιμοποιείτε εξοπλισμό ατομικής προστασίας. Πάντα φοράτε προστασία ματιών. Ο προστατευτικός εξοπλισμός, όπως μάσκα κατά της σκόνης, αντιοιολογικά παπούτσια ασφαλείας, κράνος ή προστασία ακοής, όταν χρησιμοποιείται για τις κατάλληλες συνθήκες, θα μειώσει τους τραυματισμούς.
- γ. Αποφεύγετε την ακούσια ενεργοποίηση. Προτού συνδέσετε το καλώδιο τροφοδοσίας/την μπαταρία και προτού σηκώσετε ή μεταφέρετε το εργαλείο να βεβαιώνετε ότι ο διακόπτης λειτουργίας είναι κλειστός. Η μεταφορά ηλεκτρικών εργαλείων με το δάκτυλο στον διακόπτη λειτουργίας ή η σύνδεση της τροφοδοσίας σε ηλεκτρικά εργαλεία με ανοικτό διακόπτη λειτουργίας μπορεί να προκαλέσει ατυχήματα.
- δ. Αφαιρείτε το κλειδί ρύθμισης προτού ενεργοποιήσετε το ηλεκτρικό εργαλείο. Εάν στο περιστρεφόμενο τμήμα του ηλεκτρικού εργαλείου παραμείνει κάποιο κλειδί, τότε μπορεί να προκληθεί τραυματισμός.
- ε. Μην τεντώνετε υπερβολικά. Διατηρείτε πάντα σταθερή στήριξη στα πόδια σας και καλή ισορροπία.

Έτσι μπορείτε να έχετε καλύτερο έλεγχο του ηλεκτρικού εργαλείου σε μη αναμενόμενες καταστάσεις.

- στ. Να είστε ενδεδυμένοι κατάλληλα. Μη φοράτε ρούχα με χαλαρή εφαρμογή ή κοσμήματα. Κρατάτε τα μαλλιά, τα ρούχα και τα γάντια σας μακριά από κινούμενα μέρη.** Τα χαλαρά ρούχα, τα κοσμήματα και τα μακριά μαλλιά μπορούν να πιαστούν σε κινούμενα μέρη.
- ζ. Αν παρέχονται διατάξεις για τη σύνδεση εξοπλισμού απομάκρυνσης και συλλογής της σκόνης, να βεβαιώνεστε ότι έχουν συνδεθεί και χρησιμοποιούνται σωστά.** Η χρήση συστήματος συλλογής σκόνης μπορεί να μειώσει τους κινδύνους που σχετίζονται με αυτήν.

4. Χρήση και φροντίδα ηλεκτρικών εργαλείων

- α. Μην ασκείτε υπερβολική δύναμη στο ηλεκτρικό εργαλείο. Χρησιμοποιείτε το σωστό ηλεκτρικό εργαλείο για την εφαρμογή.** Το σωστό ηλεκτρικό εργαλείο θα εκτελέσει την εργασία καλύτερα και ασφαλέστερα, με την ένταση χρήσης για την οποία σχεδιάστηκε.
- β. Μη χρησιμοποιείτε το ηλεκτρικό εργαλείο αν ο διακόπτης δεν το ενεργοποιεί ή δεν το απενεργοποιεί.** Τα ηλεκτρικά εργαλεία που δεν είναι δυνατόν να ελεγχθούν μέσω του διακόπτη είναι επικίνδυνα και πρέπει να επισκευάζονται.
- γ. Αποσυνδέστε το φως από την πηγή ρεύματος ή την μπαταρία από το ηλεκτρικό εργαλείο πριν πραγματοποιήσετε οποιοδήποτε ρυθμίσεις, αλλάξτε αξεσουάρ ή αποθηκεύσετε τα ηλεκτρικά εργαλεία.** Τέτοια προληπτικά μέτρα ασφαλείας μειώνουν το κίνδυνο αβέλτηης εκκίνησης του ηλεκτρικού εργαλείου.
- δ. Όταν δε χρησιμοποιείτε το ηλεκτρικό εργαλείο, φυλάσσετε τα μακριά από παιδιά και μην αφήνετε να το χρησιμοποιούν άτομα που δεν είναι εξοικειωμένα με αυτό ή με τις παρούσες οδηγίες.** Τα ηλεκτρικά εργαλεία είναι επικίνδυνα στα χέρια μη εκπαιδευμένων χρηστών.
- ε. Συντηρείτε τα ηλεκτρικά εργαλεία. Ελέγχετε για κακή ευθυγράμμιση ή μάγκωμα των κινούμενων εξαρτημάτων, για θραύση εξαρτημάτων και για οποιαδήποτε άλλη κατάσταση που μπορεί να επηρεάσει τη λειτουργία του ηλεκτρικού εργαλείου. Αν υπάρχει ζημιά, φροντίστε να επισκευαστεί το ηλεκτρικό εργαλείο πριν τη χρήση του.** Πολλά ατυχήματα προκαλούνται από κακοσυντηρημένα ηλεκτρικά εργαλεία.
- στ. Διατηρείτε τα κοπτικά εργαλεία ακονισμένα και καθαρά.** Τα σωστά συντηρημένα κοπτικά εργαλεία με ακονισμένες ακμές σημειώνουν λιγότερες εμπλοκές και ελέγχονται ευκολότερα.
- ζ. Χρησιμοποιείτε το ηλεκτρικό εργαλείο, τα αξεσουάρ και τα εξαρτήματα εργασίας του εργαλείου κ.λπ.**

σύμφωνα με τις παρούσες οδηγίες, λαμβάνοντας υπόψη τις συνθήκες εργασίας και την προς εκτέλεση εργασία. Η χρήση του ηλεκτρικού εργαλείου για εργασίες διαφορετικές από τις προβλεπόμενες θα μπορούσε να οδηγήσει σε επικίνδυνη κατάσταση.

5. Σέρβις

- α. Αναθέστε το σέρβις του ηλεκτρικού σας εργαλείου σε εξειδικευμένο τεχνικό επισκευών που χρησιμοποιεί μόνο γνήσια ανταλλακτικά εξαρτήματα.** Έτσι θα εξασφαλίσετε τη διατήρηση της ασφάλειας του ηλεκτρικού εργαλείου.

Πρόσθετες προειδοποιήσεις ασφαλείας για τον αναδευτήρα.

- ◆ Μην στερεώσετε ποτέ το προϊόν σε μέγγενη ή σε πάγκο προκειμένου να το χρησιμοποιήσετε ως σταθερό εργαλείο. Αυτό μπορεί να προκαλέσει σοβαρό τραυματισμό.
- ◆ Απενεργοποιήστε αμέσως το προϊόν εάν κολλήσει το προσάρτημα του εργαλείου. Να είστε προετοιμασμένοι για ισχυρή στρεπτική αντίδραση, η οποία ενδέχεται να προκαλέσει κλώσημα. Το προσάρτημα του εργαλείου θα κολλήσει σε περίπτωση υπερφόρτωσης του προϊόντος ή στρέβλωσης μέσα στο τεμάχιο εργασίας.
- ◆ Κατά τη χρήση αυτού του προϊόντος, φοράτε προστατευτικό ρουχισμό, μάσκα ασφαλείας και προστατευτικά γάντια. Κατά τη χρήση αυτού του προϊόντος ενδέχεται να σηκωθεί σκόνη ή να εκτιναχθεί το υγρό ή το υλικό. Πολλοί τύποι σκόνης θεωρούνται καρκινογόνοι.
- ◆ Λειτουργείτε το προϊόν και με τα δύο χέρια σας στις λαβές. Κρατάτε σφιχτά τις λαβές και φροντίστε να έχετε σταθερό πάτημα σε στερεό, επίπεδο και στεγνό δάπεδο. Η απώλεια ελέγχου του προϊόντος ενδέχεται να προκαλέσει τραυματισμό.
- ◆ Μη χρησιμοποιείτε αυτό το προϊόν σε ουσίες που είναι ιδιαίτερα εύφλεκτες ή ενδοχομένων εκρηκτικές, για παράδειγμα διαλύτες. Η χρήση αυτού του προϊόντος δημιουργεί σπινθήρες, οι οποίοι μπορούν να αναφλέξουν τις αναθυμιάσεις.
- ◆ Χρησιμοποιείτε αυτό το προϊόν μόνο σε εσωτερικούς χώρους. Η υγρασία και η βροχή ενδέχεται να προκαλέσουν βλάβη στο προϊόν ή ηλεκτροπληξία. Αποσυνδέστε το προϊόν από την τροφοδοσία ρεύματος εάν το αναδευόμενο υλικό διεισδύσει στο εσωτερικό του προϊόντος ή εάν το προϊόν πέσει μέσα σε αυτό. Αναθέστε τον έλεγχο του προϊόντος σε επαγγελματία ηλεκτρολόγο. Το αναδευόμενο υλικό και η υγρασία ενδέχεται να προκαλέσουν βλάβη στο προϊόν ή ηλεκτροπληξία εάν διεισδύσουν στο εσωτερικό του προϊόντος.

- ◆ Μην εργάζεστε με υλικά και ουσίες που είναι επιβλαβείς για την υγεία. Πολλά υλικά είναι επιβλαβή όταν υποβάλλονται σε κατεργασία. Μην εισπνέετε τυχόν επιβλαβείς ουσίες και αποφεύγετε την επαφή τους με το δέρμα σας. Ακολουθείτε τις οδηγίες του κατασκευαστή και φοράτε κατάλληλο εξοπλισμό ατομικής προστασίας.
- ◆ Περιμένετε το εργαλείο να ακινητοποιηθεί εντελώς, προτού το αφαιρέσετε από το αναδεδυμένο υλικό και το ακουμπήσετε στο δάπεδο. Ενδέχεται να παρασυρθεί το δοχείο ανάδευσης ή να εκπιναχθεί το αναδεδυμένο υλικό. Αυτό ενδέχεται να προκαλέσει απώλεια ελέγχου του προϊόντος.

Υπολειπόμενοι κίνδυνοι.

Παρά την εφαρμογή των σχετικών κανονισμών ασφαλείας και την ύπαρξη διατάξεων ασφαλείας, ορισμένοι υπολειπόμενοι κίνδυνοι δεν μπορούν να αποφευχθούν. Σε αυτούς περιλαμβάνονται οι εξής:

- ◆ Τραυματισμοί λόγω επαφής με περιστρεφόμενα/κινούμενα μέρη.
- ◆ Βλάβη της ακοής.
- ◆ Κίνδυνος τραυματισμού κατά την αλλαγή εξαρτημάτων ή αξεσουάρ.
- ◆ Κίνδυνοι για την υγεία προκαλούνται από την εισπνοή σκόνης που παράγεται κατά την κοπή ξύλου, ειδικά βελανιδιάς, οξιάς και MDF.
- ◆ Τραυματισμοί λόγω παρατεταμένης χρήσης ενός εργαλείου. Όταν χρησιμοποιείτε εργαλεία για μεγάλα χρονικά διαστήματα, φροντίστε να κάνετε τακτικά διαλείμματα.

Ασφάλεια άλλων προσώπων

- ◆ Αυτή η συσκευή δεν προορίζεται για χρήση από άτομα (περιλαμβανομένων παιδιών) με μειωμένες σωματικές, αισθητηριακές ή πνευματικές ικανότητες, ή με έλλειψη εμπειρίας και γνώσης, εκτός αν σε αυτά έχει παρασχεθεί από άτομο υπεύθυνο για την ασφάλειά τους επίβλεψη ή εκπαίδευση σχετικά με τη χρήση της συσκευής.
- ◆ Τα παιδιά θα πρέπει να βρίσκονται υπό επίβλεψη ώστε να διασφαλίζεται ότι δεν παίζουν με τη συσκευή.

Κραδασμοί

Το επίπεδο εκπομπών κραδασμών που αναφέρεται στα τεχνικά στοιχεία και τη δήλωση συμμόρφωσης έχει μετρηθεί σύμφωνα με τη διαδικασία δοκιμής που ορίζει το πρότυπο EN 60745 και μπορεί να χρησιμοποιηθεί για τη σύγκριση ενός εργαλείου με ένα άλλο. Το επίπεδο εκπομπών κραδασμών που αναφέρεται μπορεί να χρησιμοποιηθεί για προκαταρκτική αξιολόγηση της έκθεσης.

Προειδοποίηση! Το επίπεδο εκπομπών κραδασμών κατά την πραγματική χρήση του ηλεκτρικού εργαλείου ενδέχεται να διαφέρει από την αναφερόμενη τιμή ανάλογα με τον τρόπο χρήσης του εργαλείου. Το επίπεδο των κραδασμών ενδέχεται να υπερβεί την τιμή που αναφέρεται στα τεχνικά στοιχεία. Κατά την αξιολόγηση της έκθεσης σε κραδασμούς, προκειμένου να καθοριστούν τα μέτρα προστασίας που απαιτεί η Οδηγία 2002/44/ΕΚ για την προστασία των προσώπων που χρησιμοποιούν συχνά ηλεκτρικά εργαλεία στην εργασία τους, πρέπει να ληφθούν υπόψη οι πραγματικές συνθήκες και ο τρόπος χρήσης του εργαλείου, συμπεριλαμβάνοντας όλα τα τμήματα του κύκλου λειτουργίας εκτός του «καθαρού» χρόνου εργασίας, π.χ. τη διάρκεια που το εργαλείο μένει απενεργοποιημένο ή λειτουργεί στην αναμονή.

Ετικέτες πάνω στο εργαλείο

Στο εργαλείο εμφανίζονται τα εξής εικονογράμματα μαζί με τον κωδικό ημερομηνίας:



Προειδοποίηση! Για να μειωθεί ο κίνδυνος τραυματισμού, ο χρήστης πρέπει διαβάσει το εγχειρίδιο οδηγιών.



Φοράτε προστατευτικά γυαλιά ασφαλείας.



Φοράτε προστασία ακοής.



Φοράτε μάσκα προστασίας από σκόνη.



Φοράτε γάντια όταν χειρίζεστε λεπίδες.

Ηλεκτρική ασφάλεια



Αυτό το εργαλείο διαθέτει διπλή μόνωση. Επομένως δεν απαιτείται αγωγός γείωσης. Ελέγχετε πάντα ότι η παροχή ρεύματος αντιστοιχεί στην τάση που αναφέρεται στην πινακίδα στοιχείων.

- ◆ Ελέγχετε περιοδικά τα καλώδια του εργαλείου. Αν το καλώδιο τροφοδοσίας υποστεί ζημιά, τότε πρέπει να αντικατασταθεί από τον κατασκευαστή ή εξουσιοδοτημένο κέντρο σέρβις της Stanley Fat Max ώστε να αποφευχθούν τυχόν κίνδυνοι.

Πτώσεις τάσης

Το υψηλό ρεύμα εκκίνησης προκαλεί σύντομες πτώσεις τάσης. Υπό δυσμενείς συνθήκες τροφοδοσίας, ενδέχεται να επηρεαστεί ο υπόλοιπος εξοπλισμός.

Εάν η εμπέδηση του συστήματος τροφοδοσίας είναι χαμηλότερη από 0,34 Ω τότε η πιθανότητα ανωμαλιών είναι μικρή.

Χρήση καλωδίου επέκτασης

- ◆ Να χρησιμοποιείτε εγκεκριμένο καλώδιο επέκτασης κατάλληλο για την κατανάλωση ρεύματος του εργαλείου σας (βλέπε τα τεχνικά στοιχεία). Πριν από τη χρήση, ελέγχετε το καλώδιο επέκτασης για ίχνη βλάβης, φθοράς ή γήρανσης.
- ◆ Αντικαταστήστε το καλώδιο επέκτασης εάν είναι φθαρμένο ή ελαττωματικό. Όταν χρησιμοποιείτε καλώδιο σε καρούλι, πάντα ξετυλίγετε τελείως το καλώδιο. Η χρήση καλωδίου επέκτασης που δεν είναι κατάλληλο για την κατανάλωση ρεύματος του εργαλείου ή είναι φθαρμένο ή ελαττωματικό, ενδέχεται να προκαλέσει κίνδυνο πυρκαγιάς και ηλεκτροπληξίας.

Χαρακτηριστικά

Αυτό το εργαλείο διαθέτει όλα ή ορισμένα από τα εξής χαρακτηριστικά.

1. Ανοίγματα αερισμού
2. Λαβή (αριστερά και δεξιά)
3. Υποδοχή
4. Άξονας
5. Κεφαλή ανάδευσης
6. Κουμπί κλειδώματος
7. Διακόπτης ρύθμισης ταχύτητας
8. Καλώδιο τροφοδοσίας με φως
9. Κλειδί σύσφιξης 22mm (x 2)

Συναρμολόγηση.

Αφαίρεση από τη συσκευασία.

- ◆ Αφαιρέστε όλα τα εξαρτήματα από τη συσκευασία και τοποθετήστε τα σε επίπεδη και σταθερή επιφάνεια.
- ◆ Αφαιρέστε όλα τα υλικά συσκευασίες και βοηθήματα μεταφοράς, εάν υπάρχουν.
- ◆ Βεβαιωθείτε ότι τα περιεχόμενα της συσκευασίας είναι πλήρη και δεν έχουν φθορές. Εάν διαπιστώσετε ότι λείπουν εξαρτήματα ή ότι υπάρχουν φθορές, τότε μην χρησιμοποιήσετε το προϊόν και επικοινωνήστε με τον αντιπρόσωπό μας. Η χρήση ενός προϊόντος με εξαρτήματα που λείπουν ή έχουν φθορές αποτελεί κίνδυνο τραυματισμού και υλικών ζημιών.
- ◆ Βεβαιωθείτε ότι διαθέτετε όλα τα απαραίτητα αξεσουάρ και εργαλεία για τη συναρμολόγηση και τη λειτουργία. Σε αυτά περιλαμβάνεται και ο κατάλληλος εξοπλισμός ατομικής προστασίας.

Προειδοποίηση! Το προϊόν και η συσκευασία του δεν είναι παιχνίδια! Τα παιδιά δεν πρέπει να παίζουν με πλαστικές σακούλες, περιτυλίγματα και μικρά εξαρτήματα! Υπάρχει κίνδυνος πνιγμού και ασφυξίας!

Ρύθμιση

Προειδοποίηση! Το προϊόν πρέπει να συναρμολογηθεί πλήρως πριν τη χρήση του! Μην χρησιμοποιήσετε ένα προϊόν που δεν έχει συναρμολογηθεί πλήρως ή έχει συναρμολογηθεί με φθαρμένα εξαρτήματα! Ακολουθήστε βήμα-βήμα τις οδηγίες συναρμολόγησης, χρησιμοποιώντας ως οδηγό τις συνοδευτικές εικόνες που θα σας διευκολύνουν! Μην συνδέσετε το προϊόν στην τροφοδοσία ρεύματος προτού το συναρμολογήσετε πλήρως!

Κεφαλή ανάδευσης

Προειδοποίηση! Διατίθενται κεφαλές ανάδευσης διάφορων τύπων, με διαφορετικά σχήματα και διαμέτρους. Χρησιμοποιείτε πάντα την κατάλληλη κεφαλή ανάδευσης, ανάλογα με την προβλεπόμενη χρήση. Πριν από την αγορά και χρήση μιας κεφαλής ανάδευσης μελετήστε τις τεχνικές απαιτήσεις του προϊόντος (βλέπε ενότητα «Τεχνικά στοιχεία»)! Ο αναθευτήρας θερμαίνεται κατά τη χρήση του! Χειρίζεστε το εργαλείο με προσοχή! Φοράτε προστατευτικά γάντια κατά τη χρήση του αναθευτήρα για να αποφύγετε τραυματισμούς, όπως εγκαύματα και εκδορές!

Προσαρμογή (Εικ.Α, Εικ.Β, Εικ.Γ, Εικ.Δ)

- ◆ Ευθυγραμμίστε την κεφαλή ανάδευσης (5) με τον άξονα (4). Βιδώστε την κεφαλή ανάδευσης (5) δεξιόστροφα στο κάτω άκρο του άξονα (4) (Εικ. Α).
- ◆ Ακινητοποιήστε το συγκολλημένο περικόχλιο του άξονα (4) με το ένα κλειδί σύσφιξης (9) και σφίξτε την κεφαλή ανάδευσης (5) δεξιόστροφα με το άλλο (9), χρησιμοποιώντας το συγκολλημένο περικόχλιο (Εικ. Β).

Σημείωση! Αρχικά σφίξτε τη σύνδεση με το χέρι και, στη συνέχεια, χρησιμοποιήστε τα κλειδιά.

- ◆ Ευθυγραμμίστε τον άξονα (4) με την υποδοχή (3). Βιδώστε δεξιόστροφα το άκρο του άξονα με το συγκολλημένο περικόχλιο μέσα στην υποδοχή (3) (Εικ. Γ).
- ◆ Ακινητοποιήστε την υποδοχή (3) με το ένα κλειδί σύσφιξης (9) και σφίξτε τον άξονα (4) δεξιόστροφα με το άλλο (9), χρησιμοποιώντας το συγκολλημένο περικόχλιο (Εικ. Δ).

Σημείωση! Αρχικά σφίξτε τη σύνδεση με το χέρι και, στη συνέχεια, χρησιμοποιήστε τα κλειδιά.

Αφαίρεση/Αντικατάσταση (Εικ.Ε, Εικ.Φ)

- ◆ Ακινητοποιήστε την υποδοχή (3) με το ένα κλειδί σύσφιξης (9) και χαλαρώστε τον άξονα (4) αριστερόστροφα με το άλλο (9), χρησιμοποιώντας το συγκολλημένο περικόχλιο (Εικ. Ε).
- ◆ Χαλαρώστε αριστερόστροφα το συγκολλημένο περικόχλιο (Εικ. Φ) και αφαιρέστε τον άξονα (4) από την υποδοχή (3) (Εικ. Φ).

Κεφαλή ανάδευσης (Εικ. G, Εικ. H)

- ◆ Ακινητοποιήστε το συγκολλημένο περικόχλιο (4) με το ένα κλειδί σύσφιξης (9) και χαλαρώστε την κεφαλή ανάδευσης (5) αριστερόστροφα με το άλλο (9), χρησιμοποιώντας το συγκολλημένο περικόχλιο (Εικ. G).
- ◆ Χαλαρώστε αριστερόστροφα το συγκολλημένο περικόχλιο (Εικ. H) και αφαιρέστε την κεφαλή ανάδευσης (5) από τον άξονα (4) (Εικ. H).
- ◆ Προσαρμόστε ανάλογα με τις απαιτήσεις νέο άξονα/ κεφαλή ανάδευσης.

Χρήση

Διακόπτης ρύθμισης ταχύτητας (Εικ. I)

Ενεργοποιεί το προϊόν είτε στη στιγμιαία είτε στη συνεχή λειτουργία.

Στιγμιαία λειτουργία

- ◆ Ενεργοποιήστε το προϊόν πατώντας τον διακόπτη ρύθμισης ταχύτητας (7) (Εικ. I).
- ◆ Απενεργοποιήστε το προϊόν ελευθερώνοντας τον διακόπτη ρύθμισης ταχύτητας (7).

Συνεχής λειτουργία

- ◆ Ενεργοποιήστε το προϊόν πατώντας τον διακόπτη ρύθμισης ταχύτητας (7) και κρατώντας τον πατημένο (Εικ. J, βήμα 1).
- ◆ Πατήστε το κουμπί κλειδώματος (6) και κρατήστε το πατημένο για να κλειδώσετε τον διακόπτη ρύθμισης ταχύτητας (7) (Εικ. I, βήμα 2).
- ◆ Ελευθερώστε το κουμπί κλειδώματος (6) και τον διακόπτη ρύθμισης ταχύτητας (8). Ο διακόπτης ρύθμισης ταχύτητας θα μείνει κλειδωμένος για συνεχή λειτουργία.
- ◆ Για να απενεργοποιήσετε το προϊόν, πιέστε και ελευθερώστε τον διακόπτη ρύθμισης ταχύτητας (7).

Γενική λειτουργία

- ◆ Πριν από κάθε χρήση, ελέγχετε για φθορές το προϊόν, το καλώδιο τροφοδοσίας και το φως του, καθώς και τα αξεσουάρ. Μη χρησιμοποιήσετε το προϊόν αν έχει υποστεί ζημιά ή φθορές.
- ◆ Ελέγχετε καλά τη σωστή τοποθέτηση των αξεσουάρ και των παρελκομένων.
- ◆ Κρατάτε πάντα το προϊόν από τις λαβές του. Διατηρείτε τις λαβές στεγνές, για να εξασφαλίζετε ασφαλή στήριξη
- ◆ Βεβαιώνετε ότι τα ανοίγματα αερισμού είναι ανοικτά και καθαρά. Εάν απαιτείται, καθαρίστε τα με μια μαλακή βούρτσα. Τα φραγμένα ανοίγματα αερισμού ενδέχεται να οδηγήσουν σε υπερθέρμανση και βλάβη του προϊόντος.
- ◆ Απενεργοποιήστε αμέσως το προϊόν εάν ενοχληθείτε κατά την εργασία σας από άλλους που εισέρχονται στην περιοχή εργασίας. Αφήνετε πάντα το προϊόν να σταματήσει εντελώς, προτού το ακουμπήσετε κάτω.

- ◆ Μην εργάζεστε για υπερβολικά μεγάλα διαστήματα. Κάνετε διαλείμματα τακτικά, προκειμένου να εξασφαλίζετε συγκέντρωση στην εργασία σας και πλήρη έλεγχο του προϊόντος.

Ανάμειξη (Εικ. K)

Προειδοποίηση! Κατά τη λειτουργία δημιουργείται πολύ λεπτή σκόνη! Ορισμένες σκόνες είναι ιδιαίτερα εύφλεκτες και εκρηκτικές! Μην καπνίζετε κατά τη λειτουργία, κρατάτε τις πηγές θερμότητας και τις γυμνές φλόγες μακριά από την περιοχή εργασίας. Φοράτε πάντα μάσκα για τη σκόνη ώστε να προστατεύετε από τους κινδύνους που προκαλεί η πολύ λεπτή σκόνη! Η κεφαλή ανάδευσης θα ακινητοποιηθεί κατά τη λειτουργία εάν το υλικό είναι υπερβολικά πηχτό. Απενεργοποιήστε το προϊόν, βγάλτε την κεφαλή ανάδευσης από το υλικό και ελέγξτε το υλικό προτού χρησιμοποιήσετε ξανά το προϊόν. Η ακινητοποιημένη κεφαλή ανάδευσης μπορεί να προκαλέσει υπερθέρμανση του μοτέρ. Κρατάτε το προϊόν σφιχτά κατά τη λειτουργία. Μην αφήνετε την κεφαλή ανάδευσης να αγγίξει το δοχείο! Αυτό μπορεί να προκαλέσει βλάβη στην κεφαλή ανάδευσης και το δοχείο!

- ◆ Κρατήστε το προϊόν με τα 2 χέρια και στις δύο λαβές (2) και τοποθετήστε την κεφαλή ανάδευσης (5) μέσα στο υλικό (Εικ. M).
- ◆ Πιέστε ελαφρά τη σκανδάλη ρύθμισης ταχύτητας για να ξεκινήσει η λειτουργία σε χαμηλή ταχύτητα.
- ◆ Μετακινείτε την κεφαλή ανάδευσης μέσα στο υλικό μέχρι όλη η ποσότητα να αναμιχθεί ομοιόμορφα.
- ◆ Απενεργοποιήστε το προϊόν. Αφήστε την κεφαλή ανάδευσης να ακινητοποιηθεί εντελώς προτού την αφαιρέσετε από το υλικό ανάμειξης.

Προειδοποίηση: Εάν η κεφαλή ανάδευσης κολλήσει μέσα στο υλικό ανάμειξης, τότε απενεργοποιήστε το προϊόν, αφήστε το να ακινητοποιηθεί και αποσυνδέστε το από την πρίζα. Μόνο τότε επιτρέπεται να καθαρίσετε το κολλημένο προσάρτημα.

Μετά τη χρήση

Προειδοποίηση: Πριν από οποιονδήποτε έλεγχο, συντήρηση ή καθαρισμό, αποσυνδέετε πάντα το προϊόν από την πρίζα και αφήνετέ το να κρυώσει!

Καθαρισμός

- ◆ Διατηρείτε το προϊόν καθαρό. Αφαιρείτε τα υπολείμματα μετά από κάθε χρήση και πριν την αποθήκευσή του.
- ◆ Ο τακτικός και σωστός καθαρισμός εξασφαλίζει την ασφαλή χρήση και παρατείνει τη διάρκεια ζωής του προϊόντος.
- ◆ Πριν από κάθε χρήση ελέγχετε το προϊόν για φθαμένα ή ελαττωματικά εξαρτήματα. Μην το χρησιμοποιήσετε εάν εντοπίσετε φθαμένα ή ελαττωματικά εξαρτήματα.

Προειδοποίηση: Εκτελείτε τις επισκευές και τη συντήρηση μόνο σύμφωνα με αυτές τις οδηγίες! Όλες οι επιπλέον εργασίες πρέπει να εκτελούνται από καταρτισμένο ειδικό!

- ◆ Καθαρίζετε το προϊόν με στεγνό πανί. Για τα δυσπρόσιτα σημεία χρησιμοποιείτε βούρτσα.
- ◆ Ειδικότερα, μετά από κάθε χρήση καθαρίζετε τα ανοίγματα αερισμού (1) χρησιμοποιώντας πανί και βούρτσα.
- ◆ Αφαιρείτε τους επίμονους ρύπους με πεπιεσμένο αέρα (μέγ. 3 bar).

Σημείωση: Για τον καθαρισμό του προϊόντος μη χρησιμοποιείτε χημικά, αλκαλικά ή άλλα ισχυρά καθαριστικά ή απολυμαντικά, διότι ενδέχεται να προκαλέσουν βλάβη στις επιφάνειές του.

- ◆ Ελέγχετε για φθαρμένα ή ελαττωματικά εξαρτήματα. Προτού χρησιμοποιήσετε ξανά το προϊόν αντικαταστήστε τα φθαρμένα εξαρτήματα ή επικοινωνήστε με ένα εξουσιοδοτημένο κέντρο σέρβις για την επισκευή τους.

Συντήρηση

- ◆ Πριν και μετά από κάθε χρήση, ελέγχετε το προϊόν και τα αξεσουάρ ή τα προσαρτήματά του για φθορές και βλάβες. Εάν απαιτείται, αντικαταστήστε τα με καινούρια, όπως περιγράφεται σε αυτό το γεχειρίδιο οδηγιών. Τηρείτε τις τεχνικές απαιτήσεις.

Επισκευή

Αυτό το προϊόν δεν περιλαμβάνει εξαρτήματα που επιδέχονται επισκευές από τον χρήστη. Επικοινωνήστε με ένα εξουσιοδοτημένο κέντρο σέρβις ή άλλο καταρτισμένο προσωπικό για να αναθέσετε τον έλεγχο και την επισκευή του προϊόντος.

Φύλαξη

- ◆ Απενεργοποιήστε το προϊόν και αποσυνδέστε το από την πρίζα.
- ◆ Καθαρίστε το προϊόν όπως περιγράφεται παραπάνω.
- ◆ Αποθηκεύετε το προϊόν και τα αξεσουάρ του σε σκοτεινό, στεγνό, καλά αεριζόμενο χώρο, όπου δεν υπάρχει κίνδυνος παγετού.
- ◆ Αποθηκεύετε πάντα το προϊόν σε σημείο μη προσβάσιμο από παιδιά. Η ιδανική θερμοκρασία αποθήκευσης είναι από 10°C έως 30°C.
- ◆ Για την αποθήκευση του προϊόντος συνιστούμε τη χρήση της αρχικής συσκευασίας ή την κάλυψή του με κατάλληλο πανί ή κάλυμμα που θα προστατεύει από τη σκόνη

Μεταφορά

- ◆ Απενεργοποιήστε το προϊόν και αποσυνδέστε το από την πρίζα.
- ◆ Εγκαταστήστε, εάν υπάρχει το προστατευτικό υλικό για τη μεταφορά.
- ◆ Μεταφέρετε πάντα το προϊόν από τις λαβές του (2).

- ◆ Προστατεύετε το προϊόν από ισχυρές κρούσεις ή κραδασμούς, οι οποίοι ενδέχεται να υπάρχουν κατά τη μεταφορά εντός οχημάτων.
- ◆ Στερεώστε το προϊόν έτσι ώστε να εμποδίσετε τυχόν μετατοπίσεις ή πτώσεις.

Αντιμετώπιση προβλημάτων

Συνήθως, οι τυχόν βλάβες οφείλονται σε αιτίες που μπορούν να αντιμετωπίσουν οι χρήστες. Συνεπώς, ελέγξτε το προϊόν με βάση την παρούσα ενότητα. Στις περισσότερες περιπτώσεις το πρόβλημα επιλύεται γρήγορα.

Πρόβλημα	Πιθανή αιτία	Λύση
Το προϊόν δεν ενεργοποιείται	Δεν έχει συνδεθεί στην τροφοδοσία ρεύματος	Συνδέστε το στην τροφοδοσία ρεύματος
	Ελαττωματικό καλώδιο τροφοδοσίας ή φως	Αναθέστε τον έλεγχο σε ειδικευμένο ηλεκτρολόγο
	Άλλη ηλεκτρική βλάβη στο προϊόν	Αναθέστε τον έλεγχο σε ειδικευμένο ηλεκτρολόγο
Το προϊόν δεν επιτυγχάνει πλήρη ισχύ	Το καλώδιο επέκτασης δεν είναι κατάλληλο για αυτό το προϊόν	Χρησιμοποιήστε κατάλληλο καλώδιο επέκτασης
	Η πηγή τροφοδοσίας (π.χ. η γεννήτρια) δίνει πολύ χαμηλή τάση	Συνδέστε σε άλλη πηγή τροφοδοσίας
	Φραγμένα ανοίγματα αερισμού	Καθαρίστε τα ανοίγματα αερισμού
Μη ικανοποιητικό αποτέλεσμα	Φθαρμένη κεφαλή ανάδευσης	Αντικαταστήστε με νέο εξάρτημα
	Η κεφαλή ανάδευσης δεν είναι κατάλληλη για το υλικό που αναμιγνύετε	Χρησιμοποιήστε κατάλληλη κεφαλή ανάδευσης

Προστασία του περιβάλλοντος



Χωριστή συλλογή. Το προϊόν αυτό δεν πρέπει να απορρίπτεται μαζί με τα κανονικά οικιακά απορρίμματα.

Εάν κάποια στιγμή διαπιστώσετε ότι το προϊόν Stanley Fat Max που έχετε στην κατοχή σας χρειάζεται αντικατάσταση ή δεν σας είναι πλέον χρήσιμο, μην το πετάξετε στα οικιακά απορρίμματα. Παραδώστε το προϊόν αυτό σε σημείο χωριστής συλλογής.



Η χωριστή συλλογή χρησιμοποιημένων προϊόντων και συσκευασιών επιτρέπει την ανακύκλωση και επαναχρησιμοποίηση των υλικών.

Η επαναχρησιμοποίηση ανακυκλωμένων υλικών συντελεί στην αποτροπή της ρύπανσης του περιβάλλοντος και μειώνει την απαίτηση για πρώτες ύλες.

Οι τοπικοί κανονισμοί μπορεί να προβλέπουν τη χωριστή συλλογή ηλεκτρικών προϊόντων από τα νοικοκυριά σε δημοτικές θέσεις συγκέντρωσης απορριμμάτων ή από το κατάστημα όπου αγοράσατε ένα νέο προϊόν.

Η εταιρεία Stanley Europe παρέχει μια εγκατάσταση για τη συλλογή και ανακύκλωση προϊόντων Stanley Fat Max όταν αυτά έχουν φθάσει στο τέλος της ωφέλιμης ζωής τους. Για να αξιοποιήσετε αυτήν την υπηρεσία, επιστρέψτε το προϊόν σας σε οποιονδήποτε εξουσιοδοτημένο αντιπρόσωπο επισκευών που θα τα συλλέξει για λογαριασμό μας.

Μπορείτε να βρείτε τη θέση του πλησιέστερου σε σας εξουσιοδοτημένου αντιπροσώπου επισκευών επικοινωνώντας με το τοπικό σας γραφείο Stanley Europe στη διεύθυνση που δίνεται στο παρόν εγχειρίδιο. Εναλλακτικά, μια λίστα εξουσιοδοτημένων αντιπροσώπων επισκευών της Stanley Europe και πλήρη στοιχεία για τις υπηρεσίες και τα άτομα επικοινωνίας είναι διαθέσιμα στο Διαδίκτυο στη διεύθυνση: www.2helpU.com

Τεχνικά στοιχεία

FME190	
Όνομαστική τάση, συχνότητα	220 – 240 V~, 50 Hz
Όνομαστική κατανάλωση ισχύος	1600 W
Όνομαστικές στροφές άνευ φορτίου n ₀	180 - 460 σ.α.λ. 300-750 σ.α.λ.
Διάμετρος κεφαλής ανάδευσης	Ø 140 mm
Σπείρωμα σύνδεσης	M14 x 2
Όγκος ανάμειξης	μέγ. 120 L
Μέγ. ροπή	80 Nm
Βαθμός προστασίας	Κατηγορίας 2
Βάρος	περίπου 5,1 kg

Επίπεδο ηχητικής πίεσης L _{pA}	84 dB (A)
Επίπεδο ηχητικής ισχύος L _{WA}	95 dB (A)
Αβεβαιότητα K _{pA} , K _{WA}	3 dB (A)
>ah	4,24 m/s ²

Δήλωση συμμόρφωσης EC

ΟΔΗΓΙΑ ΠΕΡΙ ΜΗΧΑΝΗΜΑΤΩΝ



Αναδευτήρας FME190

Η Stanley Europe δηλώνει ότι αυτά τα προϊόντα που περιγράφονται στα «Τεχνικά στοιχεία» είναι σε συμμόρφωση με τα εξής:

2006/42/EK, EN 60745-1:2009 + A11:2010,
EN 60745-2-11: 2010

Τα συγκεκριμένα προϊόντα συμμορφώνονται επίσης με τις Οδηγίες 2004/108/EK (μέχρι την 19.04.2016), 2014/30/EE (από την 20.04.2016) και 2011/65/EE. Για περισσότερες πληροφορίες, απευθυνθείτε στην Stanley Europe στη διεύθυνση που ακολουθεί ή ανατρέξτε στο πίσω μέρος του εγχειριδίου.

Ο υπογράφων είναι υπεύθυνος για τη σύνταξη του τεχνικού φακέλου και υποβάλλει τη δήλωση για λογαριασμό της

Stanley Europe.

Ray Laverick
Engineering Manager
Stanley Europe, Egide Walschaertsstraat14-18,
2800 Mechelen, Βέλγιο
26 Ιανουαρίου 2015

Εγγύηση

Η Stanley Europe είναι σίγουρη για την ποιότητα των προϊόντων της και προσφέρει μια εξαιρετική εγγύηση για τους επαγγελματίες χρήστες του προϊόντος. Η παρούσα δήλωση εγγύησης προστίθεται χωρίς καμία επιφύλαξη στα συνταγματικά σας δικαιώματα ως ιδιώτες, ερασιτέχνες χρήστες. Η εγγύηση ισχύει εντός της επικράτειας των χωρών μελών της Ευρωπαϊκής Ένωσης και της Ευρωπαϊκής Ζώνης Ελεύθερων Συναλλαγών.

ΠΛΗΡΗΣ ΕΓΓΥΗΣΗ ΕΝΟΣ ΕΤΟΥΣ

Εάν εντός 12 μηνών από την ημερομηνία της αγοράς, το προϊόν Stanley Fat Max που έχετε στην ιδιοκτησία σας παρουσιάσει ελάττωμα λόγω ελαττώματος υλικών ή εργασίας, η Stanley Fat Max εγγυάται ότι θα αντικαταστήσει όλα τα ελαττωματικά εξαρτήματα χωρίς χρέωση ή – κατά τη διακριτική μας ευχέρεια – θα αντικαταστήσει τη μονάδα χωρίς χρέωση εφόσον:

- ◆ Το προϊόν δεν έχει χρησιμοποιηθεί λανθασμένα και έχει χρησιμοποιηθεί σύμφωνα με το εγχειρίδιο οδηγιών.
- ◆ Το προϊόν έχει υποβληθεί σε εύλογη φθορά λόγω συνήθους χρήσης.
- ◆ Δεν έχουν επιχειρηθεί επισκευές από μη εξουσιοδοτημένα άτομα.
- ◆ Έχει παρουσιαστεί η απόδειξη αγοράς.
- ◆ Το προϊόν Stanley Fat Max επιστρέφεται πλήρες με όλα τα αρχικά μέρη του.

Αν επιθυμείτε να υποβάλετε μια αξίωση βάσει της εγγύησης, απευθυνθείτε στο κατάστημα όπου αγοράσατε το προϊόν ή τον πλησιέστερο εξουσιοδοτημένο αντιπρόσωπο επισκευών της Stanley Fat Max που θα εντοπίσετε στον κατάλογο Stanley Fat Max ή απευθυνθείτε στο αρμόδιο για την περιοχή σας γραφείο της Stanley στη διεύθυνση που αναφέρεται στο παρόν εγχειρίδιο. Λίστα εξουσιοδοτημένων αντιπροσώπων επισκευών της Stanley Fat Max και πλήρη στοιχεία για τις υπηρεσίες μετά την πώληση είναι διαθέσιμα στο Διαδίκτυο στη διεύθυνση:

www.stanley.eu/3

België/Belgique	Stanley Fat Max E. Walschaertstraat 14-16 2800 Mechelen Belgium	De. Tel. +32 70 220 065 Fr. Tel. +32 70 220 066 Fax +32 15 473 799 www.stanleytools.eu Enduser.be@SBDinc.com
Danmark	Stanley Fat Max Farveland 1B 2600 Glostrup	Tel. 70 20 15 10 Fax 70 22 49 10 www.stanleyworks.dk
Deutschland	Stanley Fat Max Richard Klinger Str. 11, D - 65510 Idstein	Tel. 06126 21-1 Fax 06126 21-2770
Ελλάδα	Stanley Fat Max. Στράβωνος 7 & Λεωφ. Βουλιαγμένης 159 Γλυφάδα 166 74 - Αθήνα	Τηλ. +30 210 8981-616 Φαξ +30 210 8983-285 www.stanleyworks.gr
España	Stanley Fat Max. Parc de Negocis "Mas Blau" Edificio Muntadas, c/Bergadá, 1, Of. A6 08820 El Prat de Llobregat (Barcelona)	Tel. 934 797 400 Fax 934 797 419 respuesta.postventa@sbdinc.com www.stanleyworks.es
France	Stanley Fat Max 5 allée des Hêtres B.P. 30084 69579 Limonest Cédex	Tel. 04 72 20 39 20 Fax 04 72 20 39 00 www.stanleyouillage.fr
Helvetia	Stanley Fat Max In der Luberzen 40 8902 Urdorf	Tel. 01 730 67 47 Fax 01 730 70 67 www.stanleyworks.de
Italia	Stanley Fat Max EnergyPark-Building 03 sud, Via Monza 7/A 20871 Vimercate (MB)	Tel. 039-9590200 Fax 039-9590313 www.stanley.it
Nederland	Stanley Fat Max Joulehof 12, 4600 RG Bergen op Zoom	Tel. +31 164 283 065 Fax +31 164 283 200 Enduser.NL@SBDinc.com
Norge	Stanley Fat Max Postboks 4613, Nydalen 0405 Oslo	Tlf. 45 25 13 00 Fax 45 25 08 00
Österreich	Stanley Fat Max Oberlaaerstraße 248, A-1230 Wien	Tel. 01 66116-0 Fax 01 66116-614 www.stanleyworks.de
Portugal	Stanley Fat Max Centro de Escritórios de Sintra Avenida Almirante Gago Coutinho, 132/134, Edifício 142710-418 Sintra 2710-418 Lisboa	Tel. 214667500 Fax 214667575 resposta.posvenda@sbdinc.com
Suomi	Stanley Fat Max Tekniikantie 12, 02150 Espoo	Puh. 010 400 430 Faksi 0800 411 340 www.stanleyworks.fi
Sverige	Stanley Fat Max Box 94, 431 22 Mölndal	Tel. 031-68 61 00 Fax 031-68 60 08
Türkiye	Stanley Fat Max KALE Hırdavat ve Makina A.Ş. Defterdar Mah. Savaklar Cad. No:15 Edirnekapı / Eyüp / İSTANBUL 34050	Puh. 0212 533 52 55 Faks 0212 533 10 05 www.stanleyworks.fi
United Kingdom	Stanley Fat Max 210 Bath Road Slough, Berkshire SL1 3YD	Tel. +44 (0)1753 511234 Fax +44 (0)1753 551155 www.stanleytools.co.uk
Middle East & Africa	Stanley Fat Max P.O.Box - 17164 Jebel Ali (South Zone), Dubai, UAE	Tel. +971 4 8127400 Fax +971 4 8127036 www.stanleyworks.ae